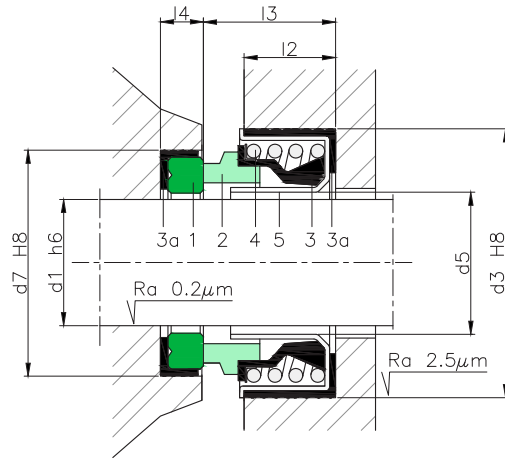


LRB03A



TYPE LRB03A



DIMENSIONS CHART LRB03A

Dimensions in mm

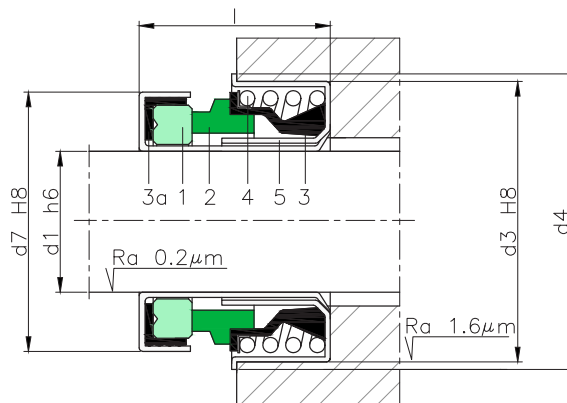
Shaft mm	Rotary part		Stationary part			
	d_7	l_4	d_3	d_5	l_2	l_3
10	23.0	4	27	11.0	7.5	14.0
12	25.0	5	32	14.2	8.5	14.2
16	31.0	5	41	18.2	10.0	16.8
20	35.0	5	45	21.4	10.0	17.5
25	41.3	11	52	26.4	11.5	20.0
30	48.0	8	58	31.0	12.5	21.0

Dimensions subject to changes or modifications.

LRB03B



TYPE LRB03B



DIMENSIONS CHART LRB03B

Dimensions in mm

Shaft mm	d_3	d_4	d_7	l	
12	12.0	30.00	35.0	25.0	17.7
12 B	12.0	28.55	32.0	25.0	17.7
12 C	12.0	33.40	38.0	25.0	17.5
13	13.0	30.00	35.0	25.0	17.7
15	15.0	36.50	41.5	30.0	20.0
16	16.0	36.50	41.5	30.0	20.0
16 B	16.0	38.10	41.3	28.5	20.0
20	20.0	40.00	43.7	37.0	22.0
20 B	20.0	38.00	43.7	37.0	22.0

Dimensions subject to changes or modifications.