

TABLE OF CONTENTS

Account Number: _____ Discount %: _____

INTRODUCTION

Introduction.....	ii
Catalog Offerings, Online Ordering and Social Media	iii
Freight Information	iv - v
Ordering information and Terms and Conditions.....	vi - vii
Credit Application	viii
Typical Sealing Components and Hydraulic Cylinder Applications	ix - xi
Product Index by Industry.....	xii - xiii
Seal Kit Identification Code Conversion Chart.....	xiv
Regional Territory Map	xv
Web Features	xvi

MOBILE KITS

Index.....	1
Mobile Kits.....	2 - 1144

PUMPS, MOTORS AND VALVE KITS

Index.....	1145
Pump, Motor and Valve Kits	1147 - 1194

APPENDIX

Index.....	1195
Technical Information.....	1196 - 1197

COPYRIGHT © 2022 HB Sealing Products, Inc. All Rights Reserved.

Any use of the contents of this publication without the written permission of HB Sealing Products, Inc. is strictly prohibited.

All trademarks mentioned belong to their respective owners. Prices in this catalog supersede those found in the Hercules Sealing Products 2021 Seal, Mobile Kit, Industrial Kit, Cylinder and Metal Working Catalogs. Prices are subject to change at any time.

Go to www.Herculesus.com to view current pricing.

US - Introduction

The Corporate Office of Hercules® Sealing Products is located in Clearwater, Florida. Hercules® is an ISO 9001 registered distributor of hydraulic and pneumatic seals, seal kits, repair parts, and replacement cylinders for mobile and industrial applications. Hercules® provides seal products used in hydraulic cylinders to a variety of industries for equipment such as: construction, mining, aerial lift and crane, dump and refuse trucks, material handling, industrial plant applications, paving, agriculture, and logging equipment. Industry-leading technical catalogs provide application, dimensional, material specifications and product pricing.

Hercules® Sealing Products distribution center is located in Louisville, Kentucky. The 120,000 sq. ft facility is located ten minutes from the UPS World Port which allows Hercules to offer the latest cut-off times in the US Seal Industry. The facility features state-of-the-art automation, inventory densification and design scalability.

A technical sales force with 8:00 a.m. to 8:00 p.m. ET hours of operation and an engineering department will provide you with unparalleled technical service. Additional value added services include reduced freight rates, special packaging, wide selection of aftermarket seal kits, largest in-stock inventory in the industry, and same day shipping on orders before 8:00 p.m. ET. Cylinder repair parts such as cylinders, power units, and cylinder rebuilding accessories are also available.

Hercules® Sealing Products offers products from the leading suppliers in the fluid power industry. These suppliers are continually rated and monitored based on the quality of their products. This process enables Hercules® to exceed our goal to deliver the highest quality products and services in the industry.



US HEADQUARTERS AND CALL CENTER

420 Park Place Blvd. Suite 100
Clearwater, FL, 33759 U.S.A

Tel: **727.796.1300**
Toll Free: **800.777.5617**
Fax: **727.797.8849**
Toll Free Fax: **800.759.6391**
email: **sales@HerculesUS.com**
www.HerculesUS.com
Customer Service Hours:
8:00 AM to 8:00 PM EST
Monday to Friday



DISTRIBUTION CENTER

4400 Commerce Crossing Dr. Suite 102
Louisville, KY 40229 U.S.A.

Tel: **502.276.0829**
Toll Free: **800.777.5617**
Fax: **502.290.3296**
Toll Free Fax: **800.759.6391**
email: **sales@HerculesUS.com**
www.HerculesUS.com

Online Ordering - www.HerculesUs.com

Placing orders on the Hercules® website is a fast and easy alternative to calling or faxing in your orders. Simply place items in the shopping cart and register during the checkout process, or click the “register” button on the upper right-hand corner of the homepage to start the process prior to shopping. First-Time visitors need to fill out a short profile to view company specific discounts and inventory. To shop quickly, click the "Quick Order Entry" button on the left side menu and add items by part number directly into your shopping cart. For website assistance, e-mail our Help Desk at HelpDesk@HerculesUS.com, click the **Live Chat**, or call **727-796-1300**.

Sign-up for the Hercules e-newsletter, found at the bottom of the homepage, to receive notice of web-only specials, new product announcements and industry specific articles.



Catalog Offerings

Seal Catalog - The Hercules® Seal Catalog contains over 800 pages of seals in the most popular styles and sizes. The easy-to-use format quickly locates u-seals, piston seals, scrapers, o-rings, piston rings, buffer seals, and much more. Each listing includes seal material, temperature and pressure specifications, and cross-sectional drawings to simplify selection.

Industrial Kit Catalog - The Hercules® Industrial Catalog contains priced listings of the wide range of hydraulic / pneumatic sealing and related products for in-plant industrial applications. This catalog includes OEM quality industrial cylinder repair kits for many popular brands of in-plant cylinders such as; Parker, Miller, Hydro-Line, and many more. Additional product offerings include cylinder repair kits for many popular makes of forklifts; including Toyota, Raymond, Caterpillar®-Towmotor and many more.

Cylinder and Repair Parts Catalog - The Hercules® Cylinder Catalog is packed with valuable information for cylinder replacement and repair parts. It also features our very own HTR, HSTR, HMW, HCW, HTC, and Bobcat cylinders as well as telescopic cylinders, power units, and cylinder repair parts.

Metal Working Catalog - The Hercules® Metal Working Catalog provides exclusive product offerings for drills, taps, end mills, countersinks, dies, band saw blades, carbide inserts and holders, honing stones, and rotary thread files for the metal working environment. It also features in-depth technical information to simplify your selection process.

Hercules Social Media

Get connected to Hercules® Sealing Products - Go to the Hercules website at www.HerculesUs.com to link directly to our Facebook, Twitter, LinkedIn, Instagram and Hercules YouTube Channel.



Freight Information

Low cost air and ground shipments available world wide. Guaranteed service available (restrictions apply to select zip codes.) One Call to Hercules® Sealing Products gets you top quality seal and repair products, cost saving freight rates, and a wide variety of delivery services to save you time and money! Hercules® pays the dimensional weight charges for air US shipments on boxes up to 13" cubed (additional accessorail charges may apply).



MOST ARRIVE WITHIN 2 DAYS!

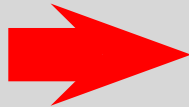
United States Postal Service Priority Flat-Rate Options

If It Fits, It Ships for One Low Rate - Anywhere in the Continental United States!

The United States Postal Services is available as a delivery option for all domestic locations. Your flat-rate options are as follows: Small padded envelope, medium and large boxes. When placing your order online at www.HerculesUS.com the envelope or box that would best fit your shipment size will appear on the Shipping and Payment screen. Orders placed via phone or fax will be determined by your regional sales representative. **Shipments placed by 11am EST will ship the same day.**

\$13.00*

Priority Flat-Rate Envelope
12-1/2 x 9-1/2 or
8-5/8 x 5-3/8 x 1-5/8



\$20.00*

Priority Flat-Rate
Medium Box
11" x 8 1/2" x 5 1/2"



\$25.00*

Priority Flat-Rate
Large Box
12" x 12" x 5 1/2"



* Includes a \$3.00 shipping and handling charge.

UPS and FedEx Special Discounted Rates

These discounted rates offer significant savings on shipments for zones 103 and up (additional accessorials charges may apply).
***Rates may be subject to change at any time.**



NEXT DAY AIR

(1-7 lbs.)

Package Weight	Rate
1 LB.	\$39.50
2 LBS.	39.50
3 LBS.	41.80
4 LBS.	46.45
5 LBS.	51.20
6 LBS.	56.15
7 LBS.	63.25

8LBS. AND UP - PUBLISHED UPS RATES.



NEXT DAY AIR

(1-7 lbs.)

Package Weight	Rate
1 LB.	\$39.50
2 LBS.	39.50
3 LBS.	41.80
4 LBS.	46.45
5 LBS.	51.20
6 LBS.	56.15
7 LBS.	63.25

8LBS. AND UP - PUBLISHED FEDEX RATES

UPS GROUND TRANSIT MAP

Call for Rates.



FEDEX GROUND TRANSIT MAP

Call for Rates.



Order Cut-Off Times

At Hercules, we understand the importance of getting your equipment fixed fast! Therefore, it is imperative that you receive your shipments on-time. Orders placed by the following cut-off times will ship the same day. All cut-off times are based on Eastern Time Zone.

Order Cut-Off Times	Freight Carriers
11:00 am EST	USPS Mail Services
3:30 pm EST	UPS Ground
8:00 pm EST	UPS Air Services
3:30 pm EST	FedEx Ground Services
5:30 pm EST	FedEx Air Services
3:30 pm EST	LTL – All Freight
3:30 pm EST	International Air FedEx and DHL
5:00 pm EST	International Air UPS

HERCULES® ORDERING INFORMATION

DOMESTIC CUSTOMER SERVICE

SATISFACTION

Total customer satisfaction is our goal. Please call with any questions or problems. Your input helps us to improve our service. We want to be your most reliable supplier.

HOW TO OPEN AN ACCOUNT WITH US - SAME DAY CREDIT APPROVAL

1. Copy and fill out the credit application found on page viii of this catalog.
2. Email or Fax completed and signed Credit Application and your sales tax exempt certificate (if applicable) for processing to 1-800-759-6391 or sales@herculesus.com.
3. We will fax or email an open account letter. — If you need additional information call our Accounting Department at 1-800-244-5617.

HOW TO ORDER FROM US

Hercules® can process orders in a number of ways. Orders can be placed by phone 1-800-777-5617, by email sales@herculesus.com, by fax 1-800-759-6391, or by using our website at www.herculesus.com. Our technical sales staff is also available TOLL FREE from 8 a.m. to 8:00 p.m. EST to take your order, assist you in finding the correct part, or answer any questions you may have.

SHIPMENT / DELIVERY

Every order we receive is classified as a RUSH. You tell us how fast you need it. Shipping agreements with UPS and FedEx allow us to offer substantial freight discounts.

PRICE QUOTATIONS/NON-CATALOG ITEMS

Hercules® is constantly adding parts to inventory. If you need a part that is not listed in our catalog, call, email, fax, or send us a sample of the part you need, roughly how many pieces are required, and we will source, quote, order, and stock the parts for you. Call, email or fax us anytime for price and delivery on hard-to-find or non-catalog items. Formal quotations for product and freight costs are gladly furnished upon request.

CREDIT CARDS

Hercules® now accepts all major credit cards.

INTERNATIONAL CUSTOMER SERVICE

MAILING ADDRESS

HERCULES® SEALING PRODUCTS
420 Park Place Blvd. Suite 100
Clearwater, FL 33759 U.S.A.

PHONE / FAX NUMBERS

PHONE: (727) 796-1300
FAX: (727) 797-8849

E-MAIL/WEBSITE

hercules@herculesus.com
<http://www.herculesus.com>

PAYMENT

Payment for all products must be in U.S. dollars.

PLACING ORDERS FOR SHIPMENT

1. Fax, mail, email or telephone order to Hercules®, specifying method of shipment.
2. Hercules® will fax or email order value to you. All prices are in U.S. dollars.
3. Wire Instructions: Contact Hercules® for wire transfer details.



SHIPMENT / DELIVERY

Hercules® will gladly ship by the carrier of your choice. Please specify any special shipping requirements you may have. All shipments are Ex-Works Louisville, KY, USA, unless otherwise specified or prearranged. Additional charges may be incurred for inbound freight and/or special packaging.

PRICE QUOTATIONS/NON-CATALOG ITEMS

Call, fax, or email us anytime for price and delivery. Formal quotations are gladly furnished upon request.

QUALITY

Hercules® has achieved a worldwide reputation as an organization committed to providing products and services that continually meet or exceed the needs and expectations of our customers. Hercules® is an ISO 9001 registered company.

ANTI-DEFAMATION POLICY

All equipment manufacturer's names, part numbers, and descriptions are used for reference purposes only. We do not imply that any part shown is the product of these manufacturers. We also do not imply that the list price shown is exactly that of the manufacturer.

TERMS AND CONDITIONS

BACKORDERS

Backorders will ship as ordered and additional freight charges will apply. Cancellation of backorders must be requested at the time of order to prevent additional freight charges. All backorders less than \$5.00 will be automatically canceled unless specified otherwise by the customer at the time of order.

CREDIT TERMS

Our payment terms for all open accounts are NET 30 days. Accounts outstanding over 30 days are reviewed daily. At 45 days past due (75 days from invoice date) all orders and backorders will automatically be put on credit hold until full payment is received.

RETURNS

Before you return any item, please call our customer service desk to obtain a Return Material Authorization (RMA) Number. Returned shipments without a Returned Material Authorization (RMA) number will be rejected. Our Receiving Department cannot accept a return without an RMA Number. Parts must be returned within 30 days of receipt of goods. Returned items are subject to a 20% restocking charge. All returns are subject to inspection by our Quality Control Department and may be rejected if not in resalable condition. Special order items are non-returnable.

CLAIMS

It is the policy of HB Sealing Products that inquiries for pricing discrepancies, order discrepancies, freight claims and customer returns must be reported to Hercules Sealing Products Customer Service within 30 days of invoice. Claims/discrepancies reported after 30 days of invoice will not be honored.

ORDER CANCELLATIONS

Orders for Standard Cataloged Products will not be canceled once processed. All custom supplied, non-cataloged products cannot be canceled. Additional cancellation charges may apply.

EXCLUSION OF WARRANTIES; LIMITATIONS OF DAMAGES

EXCEPT AS PROVIDED IN THE NEXT SECTION (TITLED "HERCULES BRAND PRODUCTS CYLINDER WARRANTY") ANY WARRANTIES ON THE PRODUCTS SOLD BY HB SEALING PRODUCTS ARE THOSE MADE BY THE MANUFACTURER. EXCEPT AS PROVIDED IN THE "HERCULES BRAND PRODUCTS CYLINDER WARRANTY", HB SEALING PRODUCTS HEREBY EXPRESSLY DISCLAIMS ALL WARRANTIES, EITHER EXPRESS OR IMPLIED, INCLUDING ANY IMPLIED WARRANTY OF MERCHANTABILITY OR FITNESS FOR A PARTICULAR PURPOSE. HB SEALING PRODUCTS NEITHER ASSUMES NOR AUTHORIZES ANY OTHER PERSON TO ASSUME FOR IT ANY LIABILITY IN CONNECTION WITH THE SALE OF ITS PRODUCTS.

IN NO EVENT SHALL HB SEALING PRODUCTS BE LIABLE TO BUYER FOR ANY INDIRECT, SPECIAL, OR CONSEQUENTIAL DAMAGES, INCLUDING (WITHOUT LIMITATION) LOST PROFITS, COSTS OF DELAY, PERSONAL INJURY, PROPERTY DAMAGE OR LIABILITIES TO BUYER OR THIRD PARTIES ARISING FROM ANY SOURCE. THIS LIMITATION ON DAMAGES SHALL APPLY TO ALL PRODUCTS SOLD BY HB SEALING PRODUCTS, INCLUDING HERCULES BRAND PRODUCTS CYLINDERS. IN THE EVENT, THAT, NOTWITHSTANDING THE TERMS OF THIS SECTION, HB SEALING PRODUCTS IS FOUND LIABLE FOR DAMAGES BASED ON ANY DEFECT OR NONCONFORMITY IN PRODUCTS SOLD BY IT, INCLUDING HERCULES BRAND PRODUCTS CYLINDERS, ITS TOTAL LIABILITY FOR EACH DEFECTIVE OR NONCONFORMING PRODUCT SHALL NOT EXCEED THE PRICE PAID BY BUYER FOR SUCH DEFECTIVE PRODUCT.

HERCULES® BRAND PRODUCTS CYLINDER WARRANTY

HB Sealing Products herein supplies a limited express warranty to its buyers who purchase standard or custom Hercules Brand Products Cylinders ("Cylinders"). HB Sealing Products warrants that such Cylinders are free from defects in material and workmanship for a period of 12 months from the date the Cylinders are shipped from HB Sealing Products' facility. HB Sealing Products will repair or replace, at its sole option, Cylinders that are found to be defective in material or workmanship upon inspection by HB Sealing Products personnel when the Cylinders have been used under conditions for which the Cylinders were designed to operate. No warranty will be in effect for any of the following reasons:

- Chemical attack, corrosion or erosion;
- Non-compatible or dirty hydraulic fluid;
- Seal degradation due to contamination (including hydraulic fluids), excessive heat or misapplication;
- Excessive side loading;
- Maintenance or disassembly of the cylinder if performed by anyone other than HB Sealing Products personnel without HB Sealing Products' permission, prior to the date of warranty expiration;
- Removal of the HB Sealing Products ID tag indicating bore, stroke, and other information concerning traceability; or Instances of improper installation or misapplication of the Cylinders.

Due to the variety of operating conditions and applications for the Cylinders and HB Sealing Products' related products, HB Sealing Products recommends that Buyer analyze all aspects of the application and carefully select the correct cylinder product to fit the buyer's application. Buyer is solely responsible for the cylinder product selection in assessing that all performance, safety and warning requirements of the application are met. **IMPROPER CYLINDER PRODUCT SELECTION, MISAPPLIED ENGINEERING OR IMPROPER USE OF THE CYLINDERS AND RELATED PRODUCTS DESCRIBED HEREIN MAY CAUSE DEATH, PERSONAL INJURY AND /OR PROPERTY DAMAGE.** HB Sealing Products does not imply or represent that the Cylinders will work properly in any customer application. No sales agent of HB Sealing Products shall have the right to determine warranty periods, terms or conditions for Cylinders if such statements by the sales agents are different from those included herein. Buyer understands that HB Sealing Products will not be held liable for any other costs or damages including any charges for removal, installation, assembly or any other charges in connection with the replacement or repair of the Cylinders. All returned products must have, before being returned to HB Sealing Products, an "RMA" (return material authorization) number assigned to it by HB Sealing Products' customer service department.

THE WARRANTY STATED IN THIS SECTION IS HB SEALING PRODUCTS' SOLE AND EXCLUSIVE WARRANTY PERTAINING TO THE CYLINDERS, AND HB SEALING PRODUCTS HEREBY DISCLAIMS ANY OTHER WARRANTY, EXPRESS OR IMPLIED, INCLUDING, WITHOUT LIMITATION, ANY WARRANTY OF MERCHANTABILITY OR FITNESS FOR A PARTICULAR PURPOSE FOR THE CYLINDERS.

CREDIT APPLICATION



Hercules Sealing Products
420 Park Place Blvd, Suite 100
Clearwater, FL 33759 USA

CREDIT APPLICATION

Toll Free: 1-800-777-5617
International: (727)796-1300
Fax: (800)759-6391
Intl Fax: (727)797-8849
E-Mail: sales@herculesus.com

Please Indicate Type
of Request:
 Catalog
 COD
 Credit Card
 Net 30

COMPANY INFORMATION

Company Name: _____
Billing Address: _____ City: _____ State: _____ Zip: _____
Shipping Address: _____ City: _____ State: _____ Zip: _____
Branch Office: _____ DBA: _____
Phone: _____ Fax: _____
Business Structure (Sole Ownership, Partnership, Corporation): _____
Type of Business: _____ Year Business Established: At current Address Since: _____
Federal ID#: _____ President/Owner SSN: _____
Owner/President: _____ Controller: _____
Accounts Payable Contact: _____ AP Email Address (Invoices will be emailed here): _____
Primary Contact Person: _____ Title: _____
Controller: _____ Annual Purchases: _____
Website: _____ E-Mail: _____

Primary Industry: Construction Mining Refuse/Waste Material Handling Aerial Lift/Crane Agriculture Oil and Gas
(Check One) Concrete/Paving Logging/Forestry Industrial Plant Automotive/Marine Rental Equipment

BANK REFERENCES

Bank Name and Address: _____
Account #: _____ Contact Name & Phone: _____

TRADE REFERENCES

Firm Name: _____ City, State: _____ Phone/Email/Fax: _____
1: _____
2: _____
3: _____

CREDIT AGREEMENT

I understand the following and will abide by your company regulations:

1. Notify Hercules Sealing Products of any changes in ownership of your company.
2. If granted credit, our company agrees to pay all invoices within 30 days of invoice date.
3. It is agreed that our company will pay 1.5% per month which is 18% yearly for all past due balances.
4. It is agreed that our account will become COD if we fail to pay invoices within the above stated terms.
5. Our company financial condition is satisfactory and we can meet all financial obligations.
6. There are no lawsuits or judgements against me at this present time. If our company defaults on payment of any outstanding valid invoices we agree to pay attorney and/or collection expenses.

Credit Amount Requested

AGREE TO PAY MY ACCOUNT WITHIN THE TERMS AND AUTHORIZE YOU TO OBTAIN SUCH INFORMATION YOU MAY REQUIRE CONCERNING THIS APPLICATION.

Date _____ Signed _____
X _____ Title _____

PERSONAL GUARANTEE

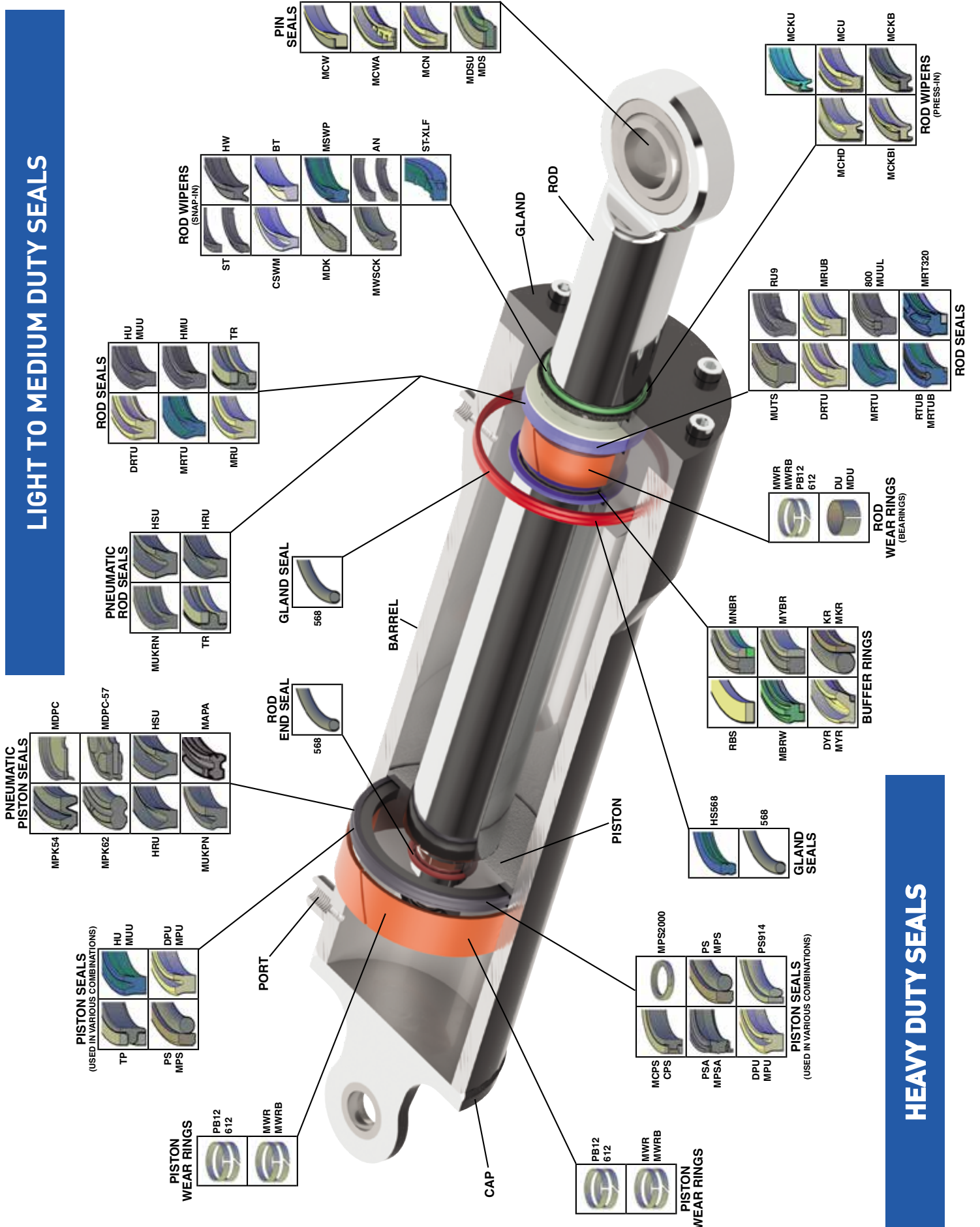
REFERRAL INFORMATION

How did you learn about Hercules Sealing Products? Please choose one and provide detailed information:

Trade Show: _____ Magazine: _____ Previous Employer: _____
Hercules Customer: _____ Website or Search: _____ Other: _____

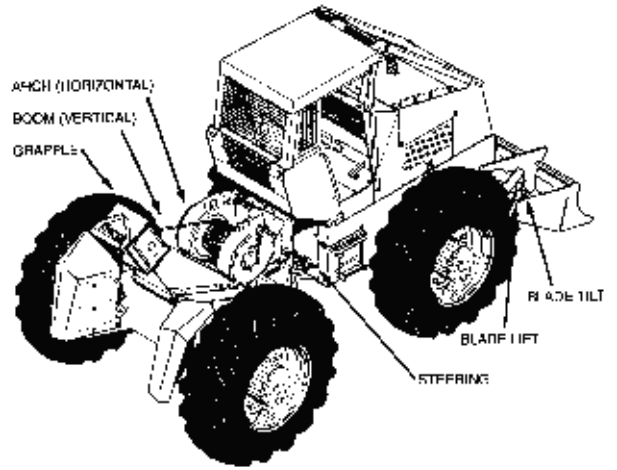
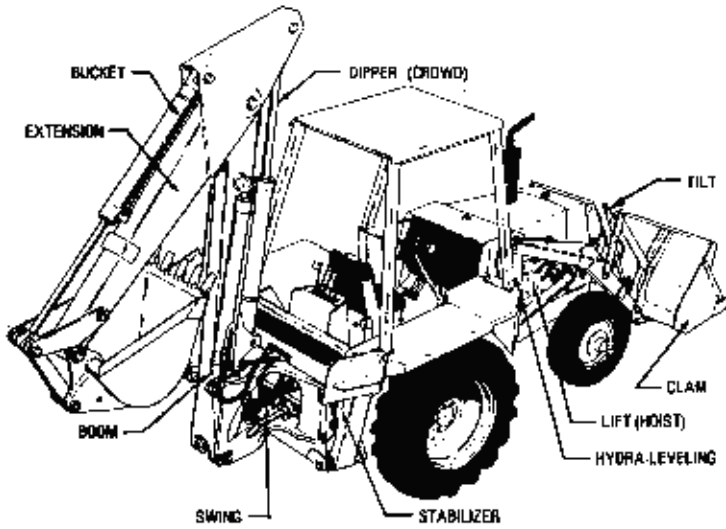
LIGHT TO MEDIUM DUTY SEALS

TYPICAL SEALING COMPONENTS



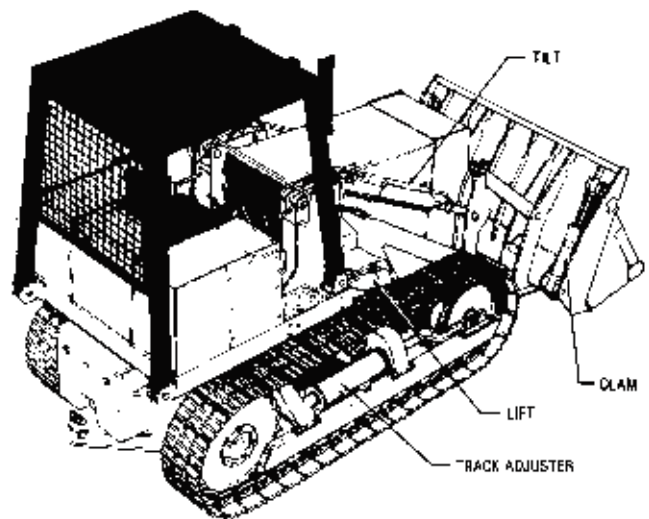
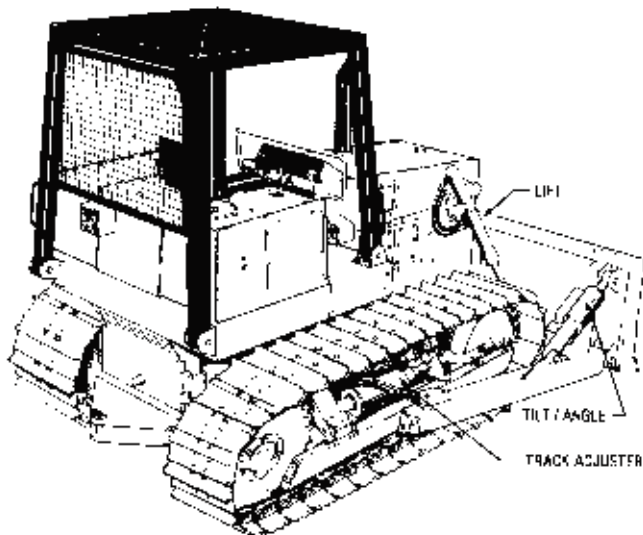
HYDRAULIC CYLINDER APPLICATIONS

BACKHOE LOADERS



LOG SKIDDERS

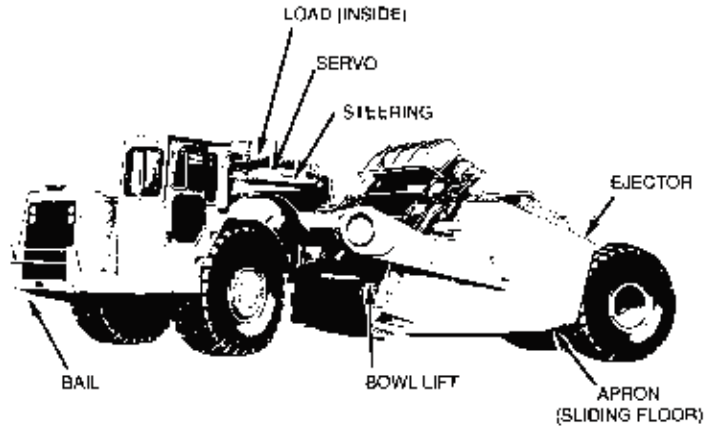
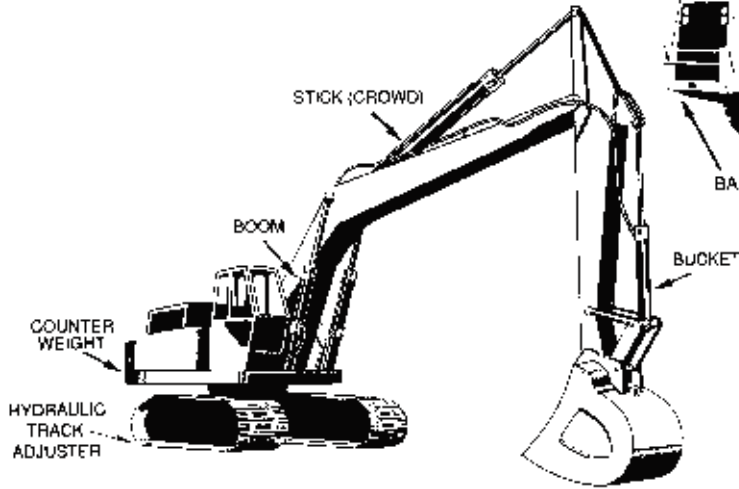
CRAWLER DOZERS



CRAWLER LOADERS

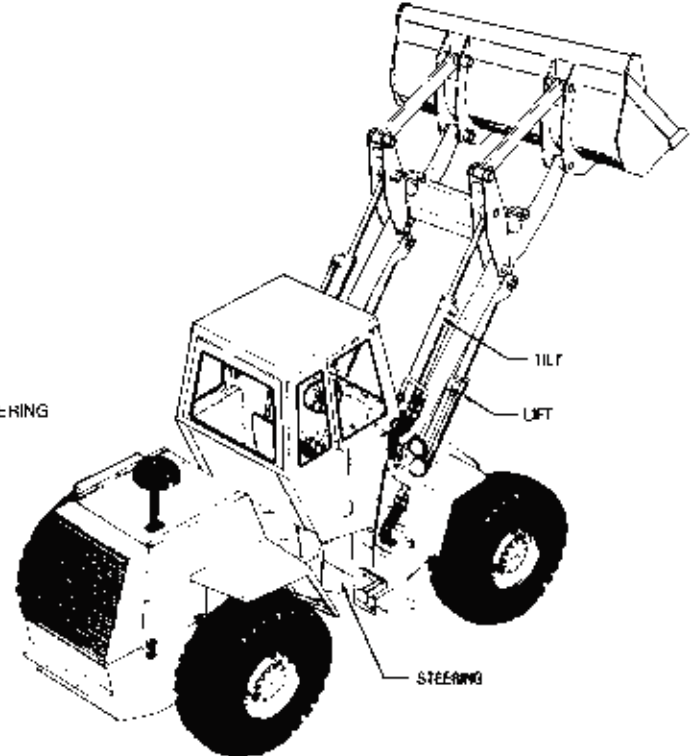
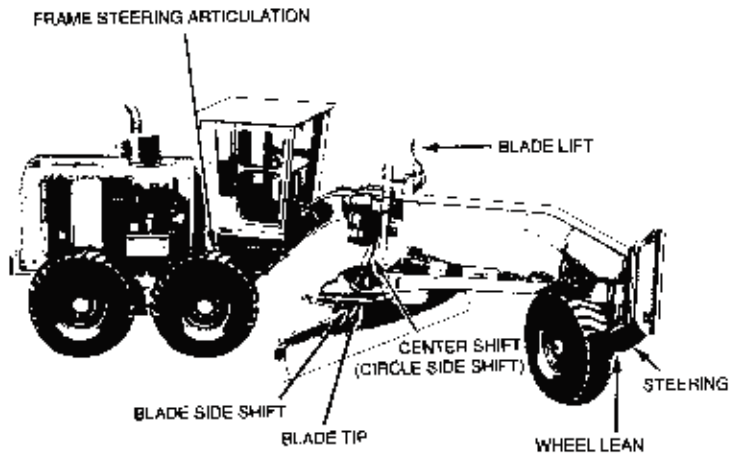
HYDRAULIC CYLINDER APPLICATIONS

EXCAVATORS



SCRAPERS

MOTOR GRADERS



WHEEL LOADERS

PRODUCT INDEX BY INDUSTRY

Repair Kits and Parts

AERIAL PERSONNEL LIFTS	PAGE #
JLG	674 - 704
Skyjack	1042
Lucky Loader	1011
Mark Hi-Lift	1012
Snorkel	1042
Upright	1066

CONSTRUCTION EQUIPMENT	PAGE #
Bobcat	5 - 32
Case	37 - 81
Caterpillar®	83 - 484
Champion Motor Graders	484
Driltech	506
Dynahoe	506
Euclid Trucks	507
Fiat-Allis	508
Fontaine	513
Ford	515 - 530
Furukawa	531
Galion - Dresser	531
Grove Crane	538 - 541
Hitachi	555 - 613
Hyundai	627 - 629
Ingersoll-Rand	630
International Harvester	631 - 632
JCB	633 - 673
John Deere	705 - 801
Kato	805 - 806
Kobelco	807 - 869
Koehring	870
Komatsu	871 - 980
Kubota	981 - 996
Liebherr	999 - 1010
Link Belt	1011
Liugong	1011
Massey Ferguson	1013
Mitsubishi	1015 - 1018
Monarch Road Machinery	1018
New Holland	1019 - 1032
Pettibone	1038
Reynolds Scraper	1040
Samsung	1040
Takeuchi	1043 - 1053
TCM	1053 - 1054
Terex	1055 - 1060
Trojan Loader	1066
Volvo	1067 - 1139
Wabco	1139
Whiteman/Conspray	1140
Yanmar	1142
Yutani	1143 - 1144

CRANES	PAGE #
Barko	3-4
Effer Cranes	506
Fassi-Crane	507
FMC	513
Grove Crane	538 - 541
Hiab	551 - 553
Hyundai	627 - 629
Lorain	1011
Lucky Loader	1011
P & H Cranes	1038
Prentice	1038

DUMP BODIES	PAGE #
Fruehauf	531

FORK LIFTS	PAGE #
Allis-Chalmers	2
Baker	3
Cascade	33 - 36
Champion	484
Clark	486 - 488
Crown	500
Gehl	532-534
Gradall	535 - 537
Hyster	626
Kalmar	801 - 803
Komatsu	871 - 980
Lull	1011
Mitsubishi	1015 - 1018
Moffett	1018
Nissan	1033 - 1034
Pettibone	1038
Raymond	1040
TCM	1053 - 1054
Towmotor-Caterpillar	1063
Toyota	1064 - 1066
Whiteman	1140
Yale	1141

LIFT GATES	PAGE #
Venco	1066
Waltco	1139

PRODUCT INDEX BY INDUSTRY

Repair Kits and Parts

LOGGING EQUIPMENT PAGE

Barko	3-4
Bell.....	4
Case	37 - 81
Caterpillar®	83 - 484
Eaton-Yale, Timberjack	506
ESCO	507
Franklin	531
Hood	613
Husky Brute.....	614
Hydro-Ax.....	625
John Deere	705 - 801
Log Hog.....	1011
Morbark	1018
Peerless.....	1035
Prentice	1038
Ronen	1040
Serco	1042
TimberJack	1061 - 1063

MINING EQUIPMENT PAGE

Caterpillar®	83 - 484
Euclid Trucks.....	507
Hitachi.....	555 - 613
Komatsu	871 - 980
Letourneau	997
Liebherr	999 - 1010
Sandvik.....	1041
Terex	1055 - 1060
Volvo	1067 - 1139

MISCELLANEOUS PAGE

Cameco	32
Chief Cylinders	485
Cross	499
Densmore	505
Edbro Cylinders	506
Energy	506
Harsh Mfg	541
Meyer Products	1014
Pandrol Jackson	1035
Prince	1039
Red Lion Tie Rod Cylinders.....	1040
Skyjack	1042
Tamrock.....	1042
Upright.....	1066

PUMP & MOTOR PARTS PAGE

Anthony	2 - 3
Char-lynn Seal Kits.....	485
Peabody-Galion	1035
Perfection-Cobey	1036 - 1037

REFUSE EQUIPMENT PAGE

Dempster	505
Galbreath.....	531
Garwood	531
Heil	542 - 550
Leach.....	997
Loadmaster.....	1011
McNeilus.....	1014
Pak-Mor	1035
Peabody-Galion.....	1035

TELEHANDLERS PAGE

Caterpillar®	83 - 484
Gehl.....	532 - 534
Gradall	535 - 537
JCB.....	633 - 673
JLG	674 - 704
Pettibone.....	1038

TELESCOPIC CYLINDERS PAGE

Anthony	2 - 3
Atlas	3
Commercial	489 - 498
Custom Hoists	501 - 505
Fontaine.....	513
Genie	534
Glencoe	534
Heil	542 - 550
Hyco	614 - 625
Hyva	630
Johnson	801
Marion	1012
Peabody-Galion	1035
Perfection-Cobey	1036 - 1037
Ward	1140

SEAL KIT IDENTIFICATION CODE CONVERSION CHART

WIPERS

I = Insert
P = Press In
N = No Wiper

ROD SEALS

O = O-Ring
OB = O-Ring & B/U
U = U-Seal
UB = U-Seal & Buffer
BB = Tandem Buffers
V = Vee Set
N = None
TR = T Seal
SP = Special
UV = U-Seals &
Vee Sets

PISTON SEALS

1 = None
2 = O-Ring
3 = O-Ring & B/U
4 = 1 U-Seal
5 = 2 U-Seals
6 = 1 Piston Cup
7 = 2 Piston Cups
8 = "SA" Vee Set
9 = "DA" Vee Set
10 = Piston Seal
11 = T Seal
12 = Cast Iron Piston Ring
13 = Special
14 = 4 Piece Capped T-Seal
15 = 5 Piece Piston Seal

ROD X BORE SIZE














EXAMPLE

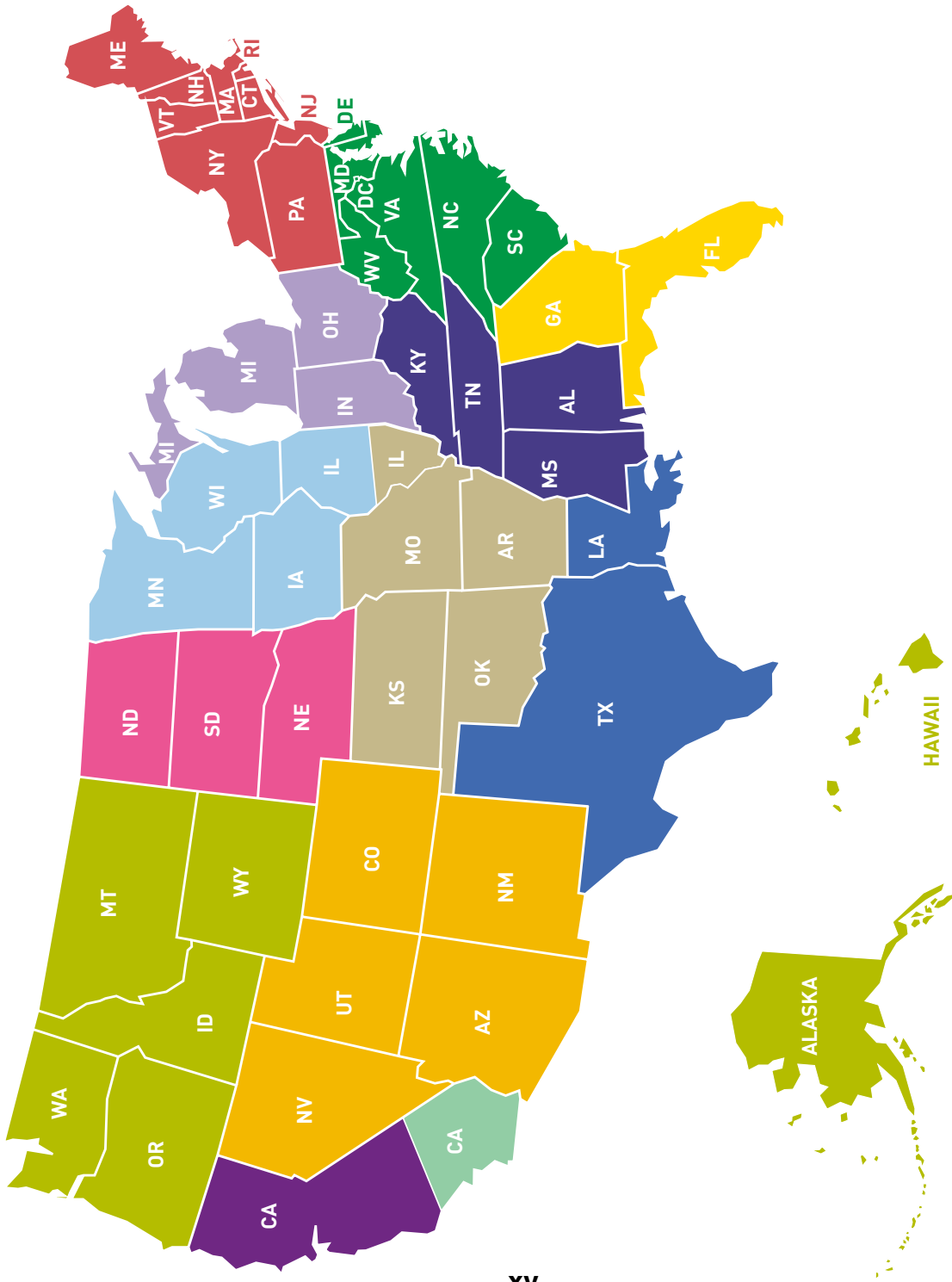
P	-	U	-	5		2	X	4
Wiper		Rod Seal		Piston Seal		Rod		Bore

NOTE:

These codes were developed as an aid for kit identification. Verification can be made by calling our sales department and comparing the parts to be replaced with those offered in our kit.

REGIONAL TERRITORY MAP

-  **Robert Bires**
Email: rbires@herculesus.com
Phone: 727.463.4440
-  **Harry Conn**
Email: hconn@herculesus.com
Phone: 804.317.1715
-  **Michelle Cromer**
Email: mcromer@herculesus.com
Phone: 727.509.0268
-  **Brian Iblings**
Email: biblings@herculesus.com
Phone: 727.212.1381
-  **Tyler Loiseau**
Email: tloiseau@herculesus.com
Phone: 727.330.0530
-  **Jason Looker**
Email: jlooker@herculesus.com
Phone: 727.330.0666
-  **Nicole Reasy**
Account Relations Manager
Email: nreasy@herculesus.com
Phone: 727.796.1300 Ext. 1040
-  **Luis Rodriguez**
Email: lrodriguez@herculesus.com
Phone: 727.386.2487
-  **Jeff Roman**
Email: jroman@herculesus.com
Phone: 727.219.7558
-  **Wayne Staab**
Email: wstaab@herculesus.com
Phone: 904.304.2383
-  **Darren Wallace**
Email: dwallace@herculesus.com
Phone: 727.235.9035
-  **Chris Wheatley**
Email: cwheatley@herculesus.com
Phone: 727.386.2068
-  **Jon Wilder**
Email: jwilder@herculesus.com
Phone: 727.293.0779



HERCULES
SEALING PRODUCTS



Seals On Demand
Custom Seal Configurator

Phone App 

**Custom Seals
in Your
Back Pocket**



Online Ordering Available!
Go to www.HerculesUS.com

Web Features Include:

- Real-Time Inventory
- Search by Size
- Search by Machine Type
- Part Substitution
- Billing Portal
- Large Order Upload
- Wish List and Much More.



Mobile Kits

CONTENTS	PAGE
A - B Allis Chalmers, Anthony, Atlas, Atlas Copco, Baker, Barko, Bell, Bobcat, Breaker Tech	2 - 32
C - D Cameco, Cascade, Case, Caterpillar, Champion, Char-Lynn, Chief, Clark, Commercial, Cross, Crown, Custom Hoists, Danfoss, Dempster, Densmore, Doosan Infracore, Drilteck, Dynahoe	32 - 506
E - F Eaton - Yale, Edbro, Effer Crane, Energy, Enerpac, Esco, Euclid, Fassi-Crane, Fiat-Allis, Fiat-Hitachi, FMC, Fontaine, Ford, Franklin, Fruehauf, Furukawa	506 - 531
G - H Galbreath, Galion - Dresser, Garwood, Gehl, Genie, Glencoe, Gradall, Grove Crane, Harsh, Heil, Hiab, Hitachi, Hood, Husky Brute, Hyco, Hydro-Ax, Hyster, Hyundai, Hyva	531 - 630
I - J Ingersoll-Rand, International Harvester, JCB, JLG, John Deere, Johnson	630 - 801
K - L Kalmar, Kato, Kobelco, Koerhing, Komatsu, Kubota, Leach, Liebherr, Liugong, Link Belt, Load Master, Log Hog, Lorain, Lucky Loader, Lull	801 - 1011
M - N Marion, Mark-Lift, Massey Ferguson, McNeilus, Meyer, Mitsubishi, Moffett, Monarch Road, Morbark, New Holland, Nissan, NPK	1012 - 1035
O - P Pandrol-Jackson, Pak-Mor, Peabody Galion, Peerless, Perfection-Cobey, Pettibone, P & H Crane, Prentice, Prince	1035 - 1039
Q - R Raymond, Red Lion, Reynolds, Ronen	1040
S - T Samsung, Sandvik, Serco, Skyjack, Snorkel, Steelmaster, Sumitomo, Takeuchi, Tamrock, Terex, TMC, Timberjack, Toyota, Trojan	1040 - 1066
U - V Upright, Vanguard, Venco, Volvo	1066 - 1139
W - Z Wabco, Waltco, Ward, White, Whiteman / Conspray, Yale, Yanmar, Yutani	1139 - 1144

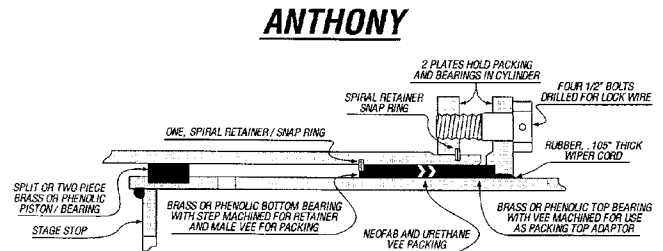
All manufacturer's names, part numbers and descriptions are used for reference purposes only. We do not imply that any part shown is the product of these manufacturers. We also do not imply that the list price shown is exactly that of the manufacturer.

ALLIS-CHALMERS LIFT TRUCKS

Kit Number	Code (Pg. xiv)	Rod X Bore Size	List Price
AC-4751907	N-V-1	1-1/4 Rod Kit	\$117.33
AC-4787570	2 STAGE	1-7/8, 2-1/2	301.67
AC-4787619	9/16" SPOOL	9/16" Spool	14.18
AC-4885085	1 HALF RING	2-1/4 Rod Bearing	4.76
AC-4905170		3/4 Shaft Kit	80.73
AC-4906087	I-U-4	3 X 3-1/2	83.17
AC-4906099	I-U-1	2-1/4 X 2-3/4	130.29
AC-4906100	I-U-1	2-1/4 X 2-3/4	50.57
AC-4906322	I-U-11	1-1/4 X 3	37.56
AC-4906332	I-U-11	1-1/4 X 3	41.46
AC-4906336	I-U-11	1-1/2 X 3-3/4	57.02
AC-4906380	I-U-1	1-3/4 X 2-1/4	31.48
AC-4906390	I-U-1	2-5/8 X 3-1/4	34.53
AC-4906391	I-U-4	3-3/4 X 4-1/4 w/ feed tube	220.53
AC-4906392	I,P-U-1	3-3/4 X 4-1/4	96.73
AC-4906396	I-U-11	1-3/4 X 4-7/8	90.47
AC-4907400		Pump Kit	17.22
AC-4907419	I-U-11	1-1/8 X 2-1/4	38.18
AC-4907474	P-U-1	4 X 4-1/2 w/ feed tube	114.38
AC-4907475	P-U-1	3-1/2 X 4-1/4	80.42
AC-4908297	I-O-3	1 X 2-1/2	21.65
AC-4908540	P-U-1	5 X 5-1/2	132.59
AC-4908541	P-U-1	5 X 5-1/2 w/ feed tube	169.79
AC-4908555	I-O-3	3/4 X 1-1/2	11.21
AC-4908917	I-U-1	3-1/4 X 3-3/4	52.94
AC-4908980	7/8" SPOOL	7/8" Spool	16.15
AC-4909028	I-O-3	1-1/4 X 3-1/2	17.96
AC-4909035	I-O-11	1-1/2 X 2-1/2	69.47
AC-4910116	I-O-11	7/8 X 2	29.86
AC-4910977	9/16" SPOOL	9/16" Spool	11.70
AC-4911398	I-U-4	2 X 3 2 Cylinders	54.88
AC-4912036	I,P-U-1	1, 2-1/4, 3 Stages	142.69
AC-4912039	I-U-11	1-1/8 X 2-1/4	45.52
AC-4912322	I,P-U-1	1, 1-3/4, 2-3/8 Stages	142.38
AC-4912359	P-U-1	3 X 3-1/2	61.66
AC-4913028	P-U-11	7/8 X 2	52.87
AC-4913075	P-U-1	3-3/4 X 4-1/4 w/ feed tube	218.09
AC-4913486	P-U-1	2-1/2 X 3	70.76
AC-4914879	I-U-1	2-3/4 X 3-1/2	47.16
AC-4914917		1-7/8, 2-5/8	130.37
AC-4917136	I-U-10	2-1/4 X 3	83.77
AC-4917655	I-U-4	1-3/4 X 2-1/4	46.85
AC-4918325	I-U-4	1 X 2	46.97
AC-4918585	I-U-1	1-1/2 X 2-1/4	36.25
AC-4932484	I-SP-1	35 mm Rod Kit	18.62
AC-4942582	I-U-1	30 x 55 mm	39.87
AC-4991278	I-OB-3	1-1/8 X 2-1/4	22.55
AC-4992550	N-TR-1	7/8 Rod Only	8.94
AC-4992855	I-V-6	1-1/2 X 3-3/4	115.82
AC-4993273	I-V-6	1-1/4 X 3	101.72
AC-4993661	I-V-6	1-3/4 X 4-7/8	120.33
AC-4998712	I-N-V	3-5/8 X 4-1/4	112.79
AC-78762688	I-U-1	4-1/8 Rod Kit	115.52

ANTHONY TELESCOPIC CYLINDERS

PACKING: Vee packing - no top or bottom adaptors.
 WIPERS: Special wiper strip
 BEARINGS: Top is bronze and serves as top adaptor for vee packing and is machined on top edge o.d. to mate with retainer flange. Bottom is phenolic and serves as bottom adaptor and is machined on bottom o.d. edge to pilot over retainer ring.
 SPECIAL INFO. Unique bearing and packing retaining arrangement on each stage consisting of two external flanges which bolt together to retain top bearing. Internal stop is spiral retaining ring.
 STAGE O.D.'s: 2.475, 3.475, 4.475, 5.475, 6.475



Part Number	Description	List Price
PACKING AND WIPERS		
ANY-S108002W	6-1/2" Vee Set & Wiper	\$95.16
ANY-S108003W	5-1/2" Vee Set & Wiper	64.13
ANY-S108004W	4-1/2" Vee Set & Wiper	56.76
ANY-S108005W	3-1/2" Vee Set & Wiper	55.42
ANY-S108006W	2-1/2" Vee Set & Wiper	50.04
BEARINGS		
ANY-S107022	6-1/2" Bottom Bearing	\$237.40
ANY-S107023	5-1/2" Bottom Bearing	215.70
ANY-S107024	4-1/2" Bottom Bearing	260.31
ANY-S107025	3-1/2" Bottom Bearing	120.39
INTERNAL RETAINERS		
ANY-S084005	Internal Spiral Retainer for 3" ID	\$7.84
ANY-S084017	Internal Spiral Retainer for 4" ID	66.81
ANY-S084018	Internal Spiral Retainer for 5" ID	66.81
ANY-S084019	Internal Spiral Retainer for 6" ID	67.62

ALLIS-CHALMERS - ANTHONY

ANTHONY TELESCOPIC CYLINDERS

Part Number	Description	List Price
EXTERNAL RETAINERS		
ANY-S084012	External Spiral Retainer for 3-1/2" OD	\$14.96
ANY-S084013	External Spiral Retainer for 4-1/2" OD	26.29
ANY-S084021	External Spiral Retainer for 6-1/2" OD	86.97
ANY-S084022	External Spiral Retainer for 5-1/2" OD	82.87
ANY-S084024	External Spiral Retainer for 7-1/2" OD	72.30
ANTHONY REPLACEMENT CYLINDER KIT		
CH-57	Custom #73-81-114, 129, 149	\$142.91

ANTHONY PUMP PARTS

Part Number	Description	List Price
ANY-A143031	Bearing	\$66.12

ATLAS TELESCOPIC CYLINDERS

Kit Number	Description	List Price
ATL-15-517	6-1/2" Piston Bearing	\$7.39
ATL-15-572	4-1/2" Piston Bearing	5.64
ATL-15-573	5-1/2" Piston Bearing	5.64
ATL-15-614	3-1/2" Piston Bearing	5.28
ATL-15-616	3" Packing, Bearings, Wiper	119.96
ATL-15-617	4" Packing, Bearings, Wiper	130.53
ATL-15-618	5" Packing, Bearings, Wiper	138.10
ATL-15-619	6" Packing, Bearings, Wiper	180.41
ATL-15-620	7" Packing, Bearings, Wiper	267.13
ATL-15-621	8" Packing, Bearings, Wiper	273.89

ATLAS COPCO

Kit Number	Code (Pg. xiv)	Rod X Bore Size	List Price
ATC-5541334300	P-UB-10	3 X 7	\$105.57
ATC-5541336900	P-UB-10	2 X 5	68.66
ATC-3218200686	P-UB-14	50 X 125 mm	163.94
ATC-3218200693	P-UB-14	80 X 180 mm	506.06

BAKER LIFT TRUCKS

Repair parts for Baker Lift Trucks are available online at www.HerculesUS.com, in the Industrial Catalog or by contacting the Hercules Sales Team at the information provided below.

BARKO

Kit Number	Code (Pg. xiv)	Rod X Bore Size	List Price
BK-65489	6" PISTON KIT		\$103.45
BK-65490	I-U-3	2-1/2 X 6	61.86
BK-65500K	P-OB-12	1-3/4 X 5	51.39
BK-65501	P-OB-12	2 X 5	96.08
BK-65512	P-OB-12	1-1/2 X 3-1/2	34.57
BK-65514	P-OB-10, 12	2 X 5	102.14
BK-65515	P-OB-10, 12	2-1/2 X 6	64.62
BK-65523	I-U-5	3 X 7	158.60
BK-65524	I, P-U-5	2-1/2 X 6	149.86
BK-65525	I, P-U-5	2 X 5	128.63
BK-65531	I, P-U-5	2 X 3-1/2	72.28
BK-65532	4-1/2" SWIVEL KIT		110.50
BK-65533	I-P-U-5	2 X 3-1/2	60.10
BK-65536	I-U-5	3 X 6	163.27
BK-65537	I, P-U-5	3 X 6	143.27
BK-65576	3-1/2" SWIVEL KIT		17.29
BK-65578	6" SWIVEL KIT		51.39
BK-65583	I-U-5	4 X 7	173.10
BK-65586	I-U-5	2-1/2 X 5	101.39
BK-65588	5" SWIVEL KIT		72.91
BK-55200013	O-RING KIT		9.31
BK-55200099	1-7/8 SWIVEL KIT		75.99
BK-55200277	I-U-10	2 X 3-1/2	45.06
BK-55200418	I-U-10	2 X 3-1/2	58.31
BK-55200420	I-U-10	2-1/2 X 4-1/2	98.37

BARKO (Continued)

Kit Number	Code (Pg. xiv)	Rod X Bore Size	List Price
BK-55200492	O-RING KIT		\$6.68
BK-55200499	I-U-14	2 X 4	166.49
BK-55200616	P-UB-14	2-1/2 X 6	275.71
BK-55200617	P-UB-14	3 X 7	275.84
BK-55200636	P-UB-3	3 X 7	98.51
BK-55200637	P-UB-3	2-1/2 X 6	109.14
BK-55200641	P-UB-14	3 X 6	262.85
BK-55200659	P-UB-10	3 X 6	156.56
BK-55200660	P-UB-10	3 X 7	186.16
BK-55200668	P-U-10	2 X 3-1/2	69.41
BK-55200689	P-UB-10	2-1/2 X 6	167.55
BK-55200796	P-UB-10	2-1/2 X 4-1/2	134.72
BK-55200810	P-U-10	2-1/2 X 4-1/2	93.36
BK-55600600	8" SWIVEL KIT		493.72
BK-55600673	O-RING KIT		4.80
BK-55600711	N-U-10	3 X 3-1/2	67.05
BK-55600721	N-U-10	3 X 6	128.06
BK-55600953	P-UB-14	3-1/2 X 6	282.04
BK-55601043	I-UB-14	4 X 7	366.44
BK-56101153	P-UB-14	3-1/2 X 6	244.27
BK-56500242	7" SWIVEL KIT		413.14
BK-565002435	3 1/2" SWIVEL KIT		96.13

Kit Number	Code (Pg. xiv)	Rod X Bore Size	List Price
BK-56500489	N-N-7	6 PISTON KIT	\$103.45
BK-56500490	I-U-3	2-1/2 X 6	61.86
BK-56500500	P-OB-12	1-3/4 X 5	51.39
BK-56500501	P-OB-12	2 X 5	96.08
BK-56500512	P-OB-12	1-1/2 X 3-1/2	34.57
BK-56500514	P-OB-10,12	2 X 5	102.14
BK-56500515	P-OB-10,12	2-1/2 X 6	64.62
BK-56500523	I-U-5	3 X 7	158.60
BK-56500524	I-U-5	2-1/2 X 6	149.86
BK-56500525	I, P-U-5	2 X 5	128.63
BK-56500531	I, P-U-5	2 X 3-1/2	72.28
BK-56500532	4-1/2" SWIVEL KIT		110.50
BK-56500533	I, P-U-5	2 X 3-1/2	60.10
BK-56500536	I-U-5	3 X 6	163.27
BK-56500537	I, P-U-5	3 X 6	143.27
BK-56500541	N-N-10	6" SWIVEL KIT	167.16
BK-56500576	3-1/2" SWIVEL KIT		17.29
BK-56500578	6" SWIVEL KIT		51.39
BK-56500583	I-U-5	4 X 7	173.10
BK-56500586	I-U-5	2-1/2 X 5	101.39
BK-56500588	5" SWIVEL KIT		89.03

Replacement Kits For

BELL

Forestry - Tree Harvesters

APPLICATION	CYL #	CODE	ROD	BORE	KIT #	List \$
MODEL SUPER T, ULTRA T						
BOOM	230057	P-U-15	50 mm	100 mm	BELL-140575	116.04
GRAB	230058	P-U-15	50 mm	100 mm	BELL-140575	116.04
SAW FEED	230105	P-U-15	1-1/4	63 mm	BELL-140311	76.21
SHEARHEAD ACCUMULATOR	230093	P-U-15	1-1/4	63 mm	BELL-140311	76.21
SHEARHEAD CUT--6"	230134	P-U-10	70 mm	150 mm	BELL-140309	225.09
SHEARHEAD GRAB	230093	P-U-15	1-1/4	63 mm	BELL-140311	76.21
SKIDDING	230106	P-U-15	50 mm	100 mm	BELL-140575	116.04
TILT	230104	P-U-15	1-1/4	63 mm	BELL-140311	76.21

BELL

Kit Number	Code (Pg. xiv)	Rod X Bore Size	List Price
BELL-140138	P-U-13	50 X 100 mm	\$116.04
BELL-140309	P-U-10	70 X 150 mm	225.09
BELL-140311	P-U-15	1-1/4 X 63 mm	76.21
BELL-140575	P-U-15	50 X 100 mm	116.04

BOBCAT

Replacement Kits For

Backhoe Attachments							
APPLICATION	CYL #	SERIAL #	CODE	ROD	BORE	KIT #	List \$
MODEL 607							
BOOM			I-U-10	1-1/2	3	BCK-6587989	39.13
DIPPER			I-U-10	1-1/2	3	BCK-6587989	39.13
LOCK			I-U-10	1	2	BCK-6589064	48.02
TILT			I-U-10	1-1/2	3	BCK-6587989	39.13
MODEL 709							
BOOM			I-U-10	1-1/2	3-1/4	BCK-6661308	27.58
LOCK			I-U-10	1	2	BCK-6589064	48.02
STABILIZER			I-U-10	1-1/2	3-1/4	BCK-6661308	27.58
TILT			I-U-10	1-1/2	3	BCK-6587989	39.13
MODEL 811							
DIPPER			I-U-10	1-3/4	3-1/2	BCK-6596126	37.41
LOCK			I-U-10	1	2	BCK-6589064	48.02
TILT			I-U-10	1-1/2	3	BCK-6587989	39.13
MODEL 905							
LOCK			I-U-10	1	2	BCK-6589064	48.02
STABILIZER			I-U-10	1	2	BCK-6587790	20.63
TILT			I-U-10	1-1/2	3	BCK-6587989	39.13
MODEL 907							
BUCKET			I-U-10	1-1/2	3	BCK-6587989	39.13
DIPPER			I-U-10	1-1/2	3	BCK-6587989	39.13
LOCK			I-U-10	1	2	BCK-6589064	48.02
STABILIZER			P-OB-3	1	2	BCK-6598343	17.72
TILT			I-U-10	1-1/2	3	BCK-6587989	39.13
MODEL 908A							
LOCK			I-U-10	1	2	BCK-6589064	48.02
STABILIZER			P-OB-3	1	2	BCK-6598343	17.72
TILT			I-U-10	1-1/2	3	BCK-6587989	39.13
MODEL 908B							
LOCK			I-U-10	1	2	BCK-6589064	48.02
STABILIZER			P-OB-3	1	2	BCK-6598343	17.72
TILT			I-U-10	1-1/2	3	BCK-6587989	39.13
MODEL 909							
BOOM			I-U-10	1-1/2	3-1/4	BCK-6661297	22.45
DIPPER			P-OB-3	1	2	BCK-6598343	17.72
LOCK			I-U-10	1	2	BCK-6589064	48.02
TILT			I-U-10	1-1/2	3	BCK-6587989	39.13
MODEL 910							
LOCK			I-U-10	1	2	BCK-6589064	48.02
TILT			I-U-10	1-1/2	3	BCK-6587989	39.13
MODEL 911							
LOCK			I-U-10	1	2	BCK-6589064	48.02
TILT			I-U-10	1-1/2	3	BCK-6587989	39.13
MODEL 913							
DIPPER			I-U-10	1-1/2	3	BCK-6803272	33.27
LOCK			I-U-10	1	2	BCK-6589064	48.02
STABILIZER			I-U-10	1	2	BCK-6589064	48.02
			I-U-10	1-1/2	3-1/4	BCK-6661298	47.53
TILT			I-U-10	1-1/2	3	BCK-6587989	39.13
MODEL 914							
LOCK			I-U-10	1	2	BCK-6589064	48.02
TILT			I-U-10	1-1/2	3	BCK-6587989	39.13
MODEL 914A							
LOCK			I-U-10	1	2	BCK-6589064	48.02
SWING			P-UB-9	2	4	BCK-6519428	71.33
TILT			I-U-10	1-1/2	3	BCK-6587989	39.13

Replacement Kits For

BOBCAT

Backhoe Attachments

APPLICATION	CYL #	SERIAL #	CODE	ROD	BORE	KIT #	List \$
MODEL 914B							
BUCKET			I-U-10	2	3-1/2	BCK-6588059	54.30
LOCK			I-U-10	1	2	BCK-6589064	48.02
TILT			I-U-10	1-1/2	3	BCK-6587989	39.13

Excavators

APPLICATION	CYL #	SERIAL #	CODE	ROD	BORE	KIT #	List \$
MODEL 220							
ARM			I-U-10	1-3/8	2-3/8	BCK-6661047	29.22
BLADE			I-U-10	1-3/8	2-3/8	BCK-6661047	29.22
BOOM			I-U-10	1-3/8	2-3/8	BCK-6661047	29.22
BUCKET			I-U-10	1-3/8	2-3/8	BCK-6661047	29.22
SWING			I-U-10,12	1-3/8	2-3/8	BCK-6661046	92.05
VALVE-3 SPOOL			VALVE KIT			BCK-6661328	24.26
VALVE-6 SPOOL			O-RING KIT			BCK-6656283	5.24

MODEL 231							
ARM			I-U-10	1-3/4	3	BCK-6804603	46.54
BLADE			I-U-10	1-3/4	3-1/2	BCK-6661052	28.83
BOOM			I-U-10	1-3/4	3-1/4	BCK-6661051	27.46
BUCKET			I-U-10	2	3-1/4	BCK-6810470	55.25
SWING			I-U-10	1-1/2	3	BCK-6661053	28.19
VALVE			O-RING KIT			BCK-6660750	5.36

MODEL 320							
ARM	6810414	224511001 - UP	I-U-10	1-1/2	2-3/8	BCK-6816534	34.39
BLADE	6816479	224511001 - UP	I-U-10	1-3/8	2-3/8	BCK-6809571	33.92
BOOM	6812505	224511001 - UP	I-U-10	1-3/8	2-3/8	BCK-6809571	33.92
BUCKET	6803038	224511001 - UP	I-U-10	1-1/2	2-1/4	BCK-6803325	36.03
SWING	6810486	224511001 - UP	I-U-10	1-1/4	3-1/4	BCK-6808225	29.88
TRACK EXPANSION	6810471	224511001 - UP	I-U-10	1	2	BCK-6589818	33.81

MODEL 320D							
ARM	6810414	223811001 - UP	I-U-10	1-1/2	2-3/8	BCK-6816534	34.39
BLADE	6810615	223811001 - UP	I-U-10	1-3/8	2-3/8	BCK-6803281	46.19
	6816479	223811001 - UP	I-U-10	1-3/8	2-3/8	BCK-6809571	33.92
BUCKET	6803038	223811001 - UP	I-U-10	1-1/2	2-1/4	BCK-6803325	36.03
CLAMP	6810475	223811001 - UP	I-U-10	1	2	BCK-6803474	25.62
SWING	6807167	223811001 - UP	I-U-10	1-1/4	3-1/4	BCK-6801183	29.58
	6810486	223811001 - UP	I-U-10	1-1/4	3-1/4	BCK-6808225	29.88

MODEL 320G							
BLADE	6810615	223911001 - UP	I-U-10	1-3/8	2-3/8	BCK-6803281	46.19
	6816479	223911001 - UP	I-U-10	1-3/8	2-3/8	BCK-6809571	33.92
BUCKET	6803038	223911001 - UP	I-U-10	1-1/2	2-1/4	BCK-6803325	36.03
SWING	6807167	223911001 - UP	I-U-10	1-1/4	3-1/4	BCK-6801183	29.58
	6810486	223911001 - UP	I-U-10	1-1/4	3-1/4	BCK-6808225	29.88

MODEL 322D							
BLADE	6810615	223511001 - UP	I-U-10	1-3/8	2-3/8	BCK-6803281	46.19
	6816479	223511001 - UP	I-U-10	1-3/8	2-3/8	BCK-6809571	33.92
BOOM	6812505	223511001 - UP	I-U-10	1-3/8	2-3/8	BCK-6809571	33.92
BUCKET	6803038	223511001 - UP	I-U-10	1-1/2	2-1/4	BCK-6803325	36.03
SWING	6807167	223511001 - UP	I-U-10	1-1/4	3-1/4	BCK-6801183	29.58
	6810486	223511001 - UP	I-U-10	1-1/4	3-1/4	BCK-6808225	29.88

MODEL 322G							
BLADE	6810615	224011001 - UP	I-U-10	1-3/8	2-3/8	BCK-6803281	46.19
	6816479	224011001 - UP	I-U-10	1-3/8	2-3/8	BCK-6809571	33.92
BUCKET	6803038	224011001 - UP	I-U-10	1-1/2	2-1/4	BCK-6803325	36.03
SWING	6807167	224011001 - UP	I-U-10	1-1/4	3-1/4	BCK-6801183	29.58
	6810486	224011001 - UP	I-U-10	1-1/4	3-1/4	BCK-6808225	29.88

BOBCAT

BOBCAT

Excavators							
APPLICATION	CYL #	SERIAL #	CODE	ROD	BORE	KIT #	List \$
MODEL 323							
BLADE	6816479	562411001 - UP	I-U-10	1-3/8	2-3/8	BCK-6809571	33.92
BOOM	6812505	562411001 - UP	I-U-10	1-3/8	2-3/8	BCK-6809571	33.92
BUCKET	6803038	562411001 - UP	I-U-10	1-1/2	2-1/4	BCK-6803325	36.03
SWING	6810486	562411001 - UP	I-U-10	1-1/4	3-1/4	BCK-6808225	29.88
TRACK EXPANSION	6810471	562411001 - UP	I-U-10	1	2	BCK-6589818	33.81
MODEL 325G							
ARM	6810745	234111001 - UP	I-U-10	1-1/2	3	BCK-6816325	46.05
BLADE	6597371	234111001 - UP	I-U-10	1-1/2	2-3/4	BCK-6589786	33.05
BOOM	6810495	234111001 - UP	I-U-10	1-5/8	3	BCK-6816536	44.36
BUCKET	6808617	234111001 - UP	I-U-10	1-3/8	2-1/2	BCK-6806862	33.52
CLAMP	6817386	234111001 - UP	I-U-10	1-1/2	2-1/4	BCK-6816535	35.55
SWING	6809857	234111001 - UP	I-U-10	1-3/8	2-3/8	BCK-6809571	33.92
MODEL 328G							
ARM	6810745	234211001 - UP	I-U-10	1-1/2	3	BCK-6816325	46.05
BLADE	6597371	234211001 - UP	I-U-10	1-1/2	2-3/4	BCK-6589786	33.05
BOOM	6810495	234211001 - UP	I-U-10	1-5/8	3	BCK-6816536	44.36
BUCKET	6808617	234211001 - UP	I-U-10	1-3/8	2-1/2	BCK-6806862	33.52
CLAMP	6817386	234211001 - UP	I-U-10	1-1/2	2-1/4	BCK-6816535	35.55
SWING	6809857	234211001 - UP	I-U-10	1-3/8	2-3/8	BCK-6809571	33.92
MODEL 329							
ARM	6817188	A2PG1101	I-U-10	1-3/4	3-1/4	BCK-6815085	50.56
BLADE	6597350	A2PG1101	I-U-10	1-3/4	3-1/2	BCK-6803314	38.55
BOOM	7126322	A2PG1101	I-U-10	1-3/4	3-1/4	BCK-6815085	50.56
BUCKET	6812165	A2PG1101	I-U-10	2	3-1/4	BCK-6810470	55.25
CLAMP	6817386	A2PG1101	I-U-10	1-1/2	2-1/4	BCK-6816535	35.55
SWING	6816319	A2PG1101	I-U-10	1-1/2	3	BCK-6816325	46.05
MODEL 331							
ARM	6810565	232511001 - UP	I-U-10	1-3/4	3	BCK-6810719	46.44
	6817188	232511001 - UP	I-U-10	1-3/4	3-1/4	BCK-6815085	50.56
BLADE	6597350	232511001 - UP	I-U-10	1-3/4	3-1/2	BCK-6803314	38.55
BOOM	6814980	232513729, 232711597 & 232612761 & Above	I-U-10	1-3/4	3-1/4	BCK-6815085	50.56
CLAMP	6817386	232511001 - UP	I-U-10	1-1/2	2-1/4	BCK-6816535	35.55
EXT ARM	6810433	232511001 - UP	I-U-10	1-1/2	2-1/4	BCK-6816535	35.55
SWING	6814862	232511001 - UP	I-U-10	1-1/2	3	BCK-6816325	46.05
MODEL 331, 331E, 334							
ARM	6810563		I-U-10	1-3/4	3	BCK-6804603	46.54
	6810565		I-U-10	1-3/4	3	BCK-6810719	46.44
	6817188		I-U-10	1-3/4	3-1/4	BCK-7137963	50.56
	7148240		I-U-10	1-3/4	3	BCK-6810719	46.44
	7156131		I-U-10	1-1/2	2-3/4	BCK-7162062	60.86
	7166446		I-U-10	1-1/2	2-3/4	BCK-7162062	60.86
ARM (Extendable)	6805399		I-U-10	1-1/2	2-1/4	BCK-7135557	44.82
	6810433		I-U-10	1-1/2	2-1/4	BCK-7135557	44.82
BLADE	6597350		I-U-10	1-3/4	3-1/2	BCK-7138009	38.55
BOOM	6806214		I-U-10	1-3/4	3-1/4	BCK-7137965	51.44
	6814980		I-U-10	1-3/4	3-1/4	BCK-7137963	50.56
	7148239		I-U-10	1-3/4	3-1/4	BCK-7156581	50.56
	7148522		I-U-10	1-3/4	3	BCK-7162061	61.34
	7156133		I-U-10	1-3/4	3	BCK-7162061	61.34
	7156579		I-U-10	1-3/4	3-1/4	BCK-7162060	50.56
	7147899		I-U-10	2	3-1/4	BCK-7137966	48.29
BUCKET	6806102		I-U-10	2	3-1/4	BCK-7137966	48.29
	6812165		I-U-10	2	3-1/4	BCK-7137966	48.29
	7110562		I-U-10	1-3/4	2-3/4	BCK-7137935	38.41
	7147899		I-U-10	2	3-1/4	BCK-7137966	48.29

BOBCAT

Replacement Kits For

BOBCAT

Excavators							
APPLICATION	CYL #	SERIAL #	CODE	ROD	BORE	KIT #	List \$
MODEL 331, 331E, 334							
BUCKET	7148457		I-U-10	1-3/4	2-3/4	BCK-7137935	38.41
CLAMP	6805607		I-U-10	1-1/2	2-3/4	BCK-6803268	41.98
	6817386		I-U-10	1-1/2	2-1/4	BCK-7135557	44.82
SWING	6806125		I-U-10	1-1/2	3	BCK-7135547	44.48
	6814862		I-U-10	1-1/2	3	BCK-6816325	46.05
	6816319		I-U-10	1-1/2	3	BCK-7135547	44.48
MODEL 337G							
ARM	6818248	234611001 - UP	I-U-10	2-1/4	3-1/2	BCK-6817081	110.16
BLADE	6815923	234611001 - UP	I-U-10	1-3/4	3-1/4	BCK-6816533	51.44
BOOM	6818252	234611001 - UP	I-U-10	2-1/4	4	BCK-6817183	127.50
BUCKET	6818255	234611001 - UP	I-U-10	2	3-1/4	BCK-6810470	55.25
CLAMP	6808069	234611001 - UP	I-U-10	2	2-3/4	BCK-6810717	67.00
SWING	6818258	234611001 - UP	I-U-10	2	3-1/4	BCK-6818161	56.11
MODEL 337WG							
ARM	6818248	235111001 - UP	I-U-10	2-1/4	3-1/2	BCK-6817081	110.16
	6818248	529111001 - UP	I-U-10	2-1/4	3-1/2	BCK-6817081	110.16
	6818248	529511001 - UP	I-U-10	2-1/4	3-1/2	BCK-6817081	110.16
BLADE	6815953	235111001 - UP	I-U-10	1-3/4	3-1/4	BCK-6816533	51.44
	6815953	529511001 - UP	I-U-10	1-3/4	3-1/4	BCK-6816533	51.44
BOOM	6818252	235111001 - UP	I-U-10	2-1/4	4	BCK-6817183	127.50
	6818252	529111001 - UP	I-U-10	2-1/4	4	BCK-6817183	127.50
	6818252	529511001 - UP	I-U-10	2-1/4	4	BCK-6817183	127.50
BUCKET	6818255	235111001 - UP	I-U-10	2	3-1/4	BCK-6810470	55.25
	6818255	529111001 - UP	I-U-10	2	3-1/4	BCK-6810470	55.25
	6818255	529511001 - UP	I-U-10	2	3-1/4	BCK-6810470	55.25
CLAMP	6808069	235111001 - UP	I-U-10	2	2-3/4	BCK-6810717	67.00
	6808069	529111001 - UP	I-U-10	2	2-3/4	BCK-6810717	67.00
	6808069	529511001 - UP	I-U-10	2	2-3/4	BCK-6810717	67.00
SWING	6818258	235111001 - UP	I-U-10	2	3-1/4	BCK-6818161	56.11
MODEL 341G							
ARM	6818248	234711001 - UP	I-U-10	2-1/4	3-1/2	BCK-6817081	110.16
BLADE	6815953	234711001 - UP	I-U-10	1-3/4	3-1/4	BCK-6816533	51.44
BOOM	6818252	234711001 - UP	I-U-10	2-1/4	4	BCK-6817183	127.50
BUCKET	6818255	234711001 - UP	I-U-10	2	3-1/4	BCK-6810470	55.25
CLAMP	6808069	234711001 - UP	I-U-10	2	2-3/4	BCK-6810717	67.00
MODEL 430							
ANGLE	7134017	563011001 - UP	I-U-10	1-1/2	2-1/2	BCK-7135559	44.49
ARM	7148322		I-U-10	1-3/4	3-1/4	BCK-7156581	50.56
	7156131		I-U-10	1-1/2	2-3/4	BCK-7162062	60.86
	7156578		I-U-10	1-3/4	3-1/4	BCK-7156581	50.56
	7166446		I-U-10	1-1/2	2-3/4	BCK-7162062	60.86
ARM (Extendable)	6805399		I-U-10	1-1/2	2-1/4	BCK-7135557	44.82
	6810433		I-U-10	1-1/2	2-1/4	BCK-7135557	44.82
BLADE	6815009		I-U-10	1-1/2	2-1/2	BCK-7135559	44.49
	7121065		I-U-10	1-1/2	2-1/2	BCK-7135559	44.49
BLADE (Angle)	7134017		I-U-10	1-1/2	3	BCK-7135547	44.48
BOOM	6814980		I-U-10	1-3/4	3-1/4	BCK-7156581	50.56
	7100732		I-U-10	1-3/4	3	BCK-7162061	61.34
	7148239		I-U-10	1-3/4	3-1/4	BCK-7156581	50.56
	7148522		I-U-10	1-3/4	3	BCK-7162061	61.34
	7156133		I-U-10	1-3/4	3	BCK-7162061	61.34
	7156579		I-U-10	1-3/4	3-1/4	BCK-7156581	50.56
BUCKET	6812165		I-U-10	2	3-1/4	BCK-7137966	48.29
	7110562		I-U-10	1-3/4	2-3/4	BCK-7137935	38.41
	7147447		I-U-10	2	3-1/4	BCK-7137966	48.29

BOBCAT

Replacement Kits For

BOBCAT

Excavators							
APPLICATION	CYL #	SERIAL #	CODE	ROD	BORE	KIT #	List \$
MODEL 430							
BUCKET	7148457		I-U-10	1-3/4	2-3/4	BCK-7137935	38.41
BUCKET (Extendable Arm)	6806102		I-U-10	2	3-1/4	BCK-7137966	48.29
	7147899		I-U-10	2	3-1/4	BCK-7137966	48.29
CLAMP	6805607		I-U-10	1-1/2	2-1/4	BCK-7135557	44.82
	6817386		I-U-10	1-1/2	2-1/4	BCK-7135557	44.82
EXT ARM	6810433	563011001 - UP	I-U-10	1-1/2	2-1/4	BCK-7135557	44.82
SWING	6816319		I-U-10	1-1/2	3	BCK-7135547	44.48
	7162721		I-U-10	1-1/2	3	BCK-7135547	44.48
MODEL 435							
ARM	6816744	563211001 - UP	I-U-10	2	3-1/4	BCK-6817143	67.35
BLADE	6815953	563211001 - UP	I-U-10	1-3/4	3-1/4	BCK-6816533	51.44
BOOM	6814385	563211001 - UP	I-U-10	2	3-3/4	BCK-6815959	139.57
BUCKET	6812517	563211001 - UP	I-U-10	1-3/4	3	BCK-6816352	46.10
CLAMP	6814063	563211001 - UP	I-U-10	1-3/4	2-1/2	BCK-6813752	40.11
SWING	6812633	563211001 - UP	I-U-10	2	3-1/4	BCK-6818161	56.11
MODEL X-225							
ARM	6586724	508312001-UP	I-U-10	1-1/2	2-3/4	BCK-6589796	30.58
BLADE		508312001-UP	I-U-10	1-1/2	2-3/4	BCK-6589796	30.58
	6596045	508312001-UP	I-U-10	1-1/2	2-3/4	BCK-6589786	33.05
BOOM	6586726	508312001-UP	I-U-10	1-1/2	2-3/4	BCK-6589796	30.58
BUCKET	6538977	508312001-UP	I-U-10	1-1/2	2-3/4	BCK-6589796	30.58
SWING	6536372	508312001-UP	I-U-10	1-3/8	2-3/8	BCK-6661047	29.22
MODEL X-320							
ARM			I-U-10	1-1/2	2-3/8	BCK-6816534	34.39
	6588297	511720001-...1115	I-U-10	1-3/8	2-3/8	BCK-6803281	46.19
	6589582	511721116 - UP	I-U-10	1-1/2	2-3/8	BCK-6589807	34.86
	6803040	562313001 - UP	I-U-10	1-1/2	2-3/8	BCK-6589807	34.86
BLADE	6587000	511720001 - UP	I-U-10	1-3/8	2-3/8	BCK-6803281	46.19
	6587000	562313001 - UP	I-U-10	1-3/8	2-3/8	BCK-6803281	46.19
	6802713		I-U-10	1-3/8	2-3/8	BCK-6803281	46.19
BOOM	6587019	511720001-...1115	I-U-10	1-3/8	2-3/8	BCK-6803281	46.19
	6589360	511721116 - UP	I-U-10	1-3/8	2-3/8	BCK-6803281	46.19
	6803045	562313001 - UP	I-U-10	1-3/8	2-3/8	BCK-6803281	46.19
BUCKET			I-U-10	1-1/2	2-1/4	BCK-6803325	36.03
SWING	6587963	511720001 - UP	I-U-10	1-1/4	2-3/8	BCK-6589868	29.08
	6803043	562313001 - UP	I-U-10	1-1/4	3-1/4	BCK-6801183	29.58
MODEL X-325							
ARM	6586724	511820001 - UP	I-U-10	1-1/2	2-3/4	BCK-6589796	30.58
	6595678	514011001-...012999	I-U-10	1-1/2	2-3/4	BCK-6803268	41.98
BLADE	6538976	511820001 - UP	I-U-10	1-1/2	2-3/4	BCK-6589796	30.58
	6596045	511820001 - UP	I-U-10	1-1/2	2-3/4	BCK-6589786	33.05
	6596045	514011001-...012999	I-U-10	1-1/2	2-3/4	BCK-6589786	33.05
BOOM	6586726	511820001 - UP	I-U-10	1-1/2	2-3/4	BCK-6589796	30.58
	6803696	514011001-...012999	I-U-10	1-1/2	2-3/4	BCK-6803268	41.98
BUCKET	6538977	511820001 - UP	I-U-10	1-1/2	2-3/4	BCK-6589796	30.58
	6803693	514011001-...012999	I-U-10	1-1/2	2-3/4	BCK-6803268	41.98
LIFTING CYLINDER	6802235	514011001-...012999	I-U-10	1-1/2	2-3/4	BCK-6803268	41.98
SWING	6536372	511820001 - UP	I-U-10	1-3/8	2-3/8	BCK-6661047	29.22
	6536372	514011001-...012999	I-U-10	1-3/8	2-3/8	BCK-6661047	29.22
MODEL X-331							
ARM			I-U-10	1-3/4	3	BCK-6804603	46.54
	6537325	512920001 - UP	I-U-10	1-3/4	3	BCK-6588079	33.78
BLADE			I-U-10	1-3/4	3-1/2	BCK-6803314	38.55
BOOM			I-U-10	1-3/4	3-1/4	BCK-6816533	51.44
BUCKET			I-U-10	2	3-1/4	BCK-6810470	55.25

BOBCAT

Replacement Kits For

BOBCAT

Excavators							
APPLICATION	CYL #	SERIAL #	CODE	ROD	BORE	KIT #	List \$
MODEL X-331							
SWING	6537577	512911001 - UP	I-U-10	1-1/2	3	BCK-6589797	34.09
	6537577	512920001 - UP	I-U-10	1-1/2	3	BCK-6589797	34.09
	6589756		I-U-10	1-1/2	3	BCK-6804604	46.05
Excavators - Compact							
APPLICATION	CYL #	SERIAL #	CODE	ROD	BORE	KIT #	List \$
MODEL E26							
ARM	7170962	ACRA11001 & Above	I-U-10	1-5/8	2-3/4	BCK-7201446	102.62
	7170962	AJRY11001 & Above	I-U-10	1-5/8	2-3/4	BCK-7201446	102.62
	7170962	B33211001 & Above	I-U-10	1-5/8	2-3/4	BCK-7201446	102.62
	7170962	B3JE11001 & Above	I-U-10	1-5/8	2-3/4	BCK-7201446	102.62
	7286654	B4S911001 & Above	I-U-10	1-3/4	3	BCK-7161331	112.53
	7309383	B4B811001 & Above	I-U-10	1-5/8	2-3/4	BCK-7201446	102.62
BLADE	7164575	ACRA11001 & Above	I-U-10	1-3/4	3-1/4	BCK-7147833	37.35
	7164575	AJRY11001 & Above	I-U-10	1-3/4	3-1/4	BCK-7147833	37.35
	7164575	B33211001 & Above	I-U-10	1-3/4	3-1/4	BCK-7147833	37.35
	7164575	B3JE11001 & Above	I-U-10	1-3/4	3-1/4	BCK-7147833	37.35
	7302315	B4B811001 & Above	I-U-10	1-3/4	3-1/4	BCK-7147833	37.35
	7302315	B4S911001 & Above	I-U-10	1-3/4	3-1/4	BCK-7147833	37.35
BOOM	7206476	ACRA11001 & Above	I-U-10	1-5/8	2-3/4	BCK-7201446	102.62
	7206476	AJRY11001 & Above	I-U-10	1-5/8	2-3/4	BCK-7201446	102.62
	7206476	B33211001 & Above	I-U-10	1-5/8	2-3/4	BCK-7201446	102.62
	7206476	B3JE11001 & Above	I-U-10	1-5/8	2-3/4	BCK-7201446	102.62
	7286186	B4S911001 & Above	I-U-10	1-3/4	3	BCK-7197632	61.49
	7318575	B4B811001 & Above	I-U-10	1-5/8	2-3/4	BCK-7201446	102.62
BOOM (Swing)	7188883	ACRA11001 & Above	I-U-10	1-1/2	2-3/4	BCK-7199903	29.89
	7188883	AJRY11001 & Above	I-U-10	1-1/2	2-3/4	BCK-7199903	29.89
	7188883	B33211001 & Above	I-U-10	1-1/2	2-3/4	BCK-7199903	29.89
	7188883	B3JE11001 & Above	I-U-10	1-1/2	2-3/4	BCK-7199903	29.89
	7302317	B4S911001 & Above	I-U-10	1-1/2	2-3/4	BCK-7199903	29.89
	7348896	B4B811001 & Above	I-U-10	1-1/2	2-3/4	BCK-7199903	29.89
BUCKET	7159406	ACRA11001 & Above	I-U-10	1-1/4	2-1/4	BCK-7137786	77.64
	7159406	AJRY11001 & Above	I-U-10	1-1/4	2-1/4	BCK-7137786	77.64
	7159406	B33211001 & Above	I-U-10	1-1/4	2-1/4	BCK-7137786	77.64
	7159406	B3JE11001 & Above	I-U-10	1-1/4	2-1/4	BCK-7137786	77.64
	7302950	B4S911001 & Above	I-U-10	1-1/2	2-3/8	BCK-7135538	64.26
	7336566	B4B811001 & Above	I-U-10	1-1/4	2-1/4	BCK-7137786	77.64
MODEL E32							
ARM	7161189	A94H11001 & Above, AC2N11001 & Above	I-U-10	1-3/4	3	BCK-7161331	112.53
	7161189	B2VV11001 & Above	I-U-10	1-3/4	3	BCK-7161331	112.53
	7161189	B3CS11001 & Above	I-U-10	1-3/4	3	BCK-7161331	112.53
	7161189	B3K911001 & Above	I-U-10	1-3/4	3	BCK-7161331	112.53
	7161189	B3Y111001 & Above	I-U-10	1-3/4	3	BCK-7161331	112.53
ARM (Extendable)	7219004	A94H11001 & Above, AC2N11001 & Above	I-U-10	1-1/2	2-1/4	BCK-7135557	44.82
	7219004	B2VV11001 & Above	I-U-10	1-1/2	2-1/4	BCK-7135557	44.82
	7219004	B3Y111001 & Above	I-U-10	1-1/2	2-1/4	BCK-7135557	44.82
BLADE	7147780	A94H11001 & Above, AC2N11001 & Above	I-U-10	1-3/4	3-1/2	BCK-7196901	99.13
	7147780	B2VV11001 & Above	I-U-10	1-3/4	3-1/2	BCK-7196901	99.13
	7147780	B3CS11001 & Above	I-U-10	1-3/4	3-1/2	BCK-7196901	99.13
	7147780	B3K911001 & Above	I-U-10	1-3/4	3-1/2	BCK-7196901	99.13
	7313918	B3Y111001 & Above	I-U-10	1-3/4	3-1/2	BCK-7196901	99.13
BOOM	7191555	A94H11001 & Above, AC2N11001 & Above	I-U-10	1-3/4	3	BCK-7197632	61.49
	7191555	B2VV11001 & Above	I-U-10	1-3/4	3	BCK-7197632	61.49

BOBCAT

Replacement Kits For

BOBCAT

Excavators - Compact							
APPLICATION	CYL #	SERIAL #	CODE	ROD	BORE	KIT #	List \$
MODEL E32							
BOOM	7191555	B3CS11001 & Above	I-U-10	1-3/4	3	BCK-7197632	61.49
	7191555	B3K911001 & Above	I-U-10	1-3/4	3	BCK-7197632	61.49
	7267330	B3Y111001 & Above	I-U-10	1-3/4	3	BCK-7197632	61.49
BOOM (Swing)	7147216	A94H11001 & Above, AC2N11001 & Above	I-U-10	1-3/4	3-1/4	BCK-7147833	37.35
	7147216	B2VV11001 & Above	I-U-10	1-3/4	3-1/4	BCK-7147833	37.35
	7147216	B3CS11001 & Above	I-U-10	1-3/4	3-1/4	BCK-7147833	37.35
	7147216	B3K911001 & Above	I-U-10	1-3/4	3-1/4	BCK-7147833	37.35
	7310861	B3Y111001 & Above	I-U-10	1-3/4	3-1/4	BCK-7147833	37.35
BUCKET	7148268	A94H11001 & Above, AC2N11001 & Above	I-U-10	1-3/4	2-3/4	BCK-7168820	37.61
	7148268	B2VV11001 & Above	I-U-10	1-3/4	2-3/4	BCK-7168820	37.61
	7148268	B3CS11001 & Above	I-U-10	1-3/4	2-3/4	BCK-7168820	37.61
	7148268	B3K911001 & Above	I-U-10	1-3/4	2-3/4	BCK-7168820	37.61
	7148268	B3Y111001 & Above	I-U-10	1-3/4	2-3/4	BCK-7168820	37.61
BUCKET (Extendable Arm)	7196762	A94H11001 & Above, AC2N11001 & Above	I-U-10	1-3/4	2-3/4	BCK-7168820	37.61
	7196762	B2VV11001 & Above	I-U-10	1-3/4	2-3/4	BCK-7168820	37.61
	7196762	B3Y111001 & Above	I-U-10	1-3/4	2-3/4	BCK-7168820	37.61
MODEL E32i							
ARM	7161189	AUYJ11001 & Above	I-U-10	1-3/4	3	BCK-7161331	112.53
	7161189	B3Y111001 & Above	I-U-10	1-3/4	3	BCK-7161331	112.53
ARM (Extendable)	7219004	AUYJ11001 & Above	I-U-10	1-1/2	2-1/4	BCK-7135557	44.82
	7219004	B3Y111001 & Above	I-U-10	1-1/2	2-1/4	BCK-7135557	44.82
BLADE	7147780	AUYJ11001 & Above	I-U-10	1-3/4	3-1/2	BCK-7196901	99.13
	7313918	B3Y111001 & Above	I-U-10	1-3/4	3-1/2	BCK-7196901	99.13
BOOM	7191555	AUYJ11001 & Above	I-U-10	1-3/4	3	BCK-7197632	61.49
	7267330	B3Y111001 & Above	I-U-10	1-3/4	3	BCK-7197632	61.49
BOOM (Swing)	7147216	AUYJ11001 & Above	I-U-10	1-3/4	3-1/4	BCK-7147833	37.35
	7310861	B3Y111001 & Above	I-U-10	1-3/4	3-1/4	BCK-7147833	37.35
BUCKET	7148268	AUYJ11001 & Above	I-U-10	1-3/4	2-3/4	BCK-7168820	37.61
	7148268	B3Y111001 & Above	I-U-10	1-3/4	2-3/4	BCK-7168820	37.61
BUCKET (Extendable Arm)	7196762	AUYJ11001 & Above	I-U-10	1-3/4	2-3/4	BCK-7168820	37.61
	7196762	B3Y111001 & Above	I-U-10	1-3/4	2-3/4	BCK-7168820	37.61
MODEL E35							
ARM	7161189	A93K11001 & Above, AC2P11001 & Above	I-U-10	1-3/4	3	BCK-7161331	112.53
	7161189	AR1K11001 & Above	I-U-10	1-3/4	3	BCK-7161331	112.53
	7161189	B3GR11001 & Above	I-U-10	1-3/4	3	BCK-7161331	112.53
	7161189	B3K811001 & Above	I-U-10	1-3/4	3	BCK-7161331	112.53
	7161189	B3WZ11001 & Above	I-U-10	1-3/4	3	BCK-7161331	112.53
ARM (Extendable)	7219004	A93K11001 & Above, AC2P11001 & Above	I-U-10	1-1/2	2-1/4	BCK-7135557	44.82
	7219004	AR1K11001 & Above	I-U-10	1-1/2	2-1/4	BCK-7135557	44.82
	7219004	B3WZ11001 & Above	I-U-10	1-1/2	2-1/4	BCK-7135557	44.82
BLADE	7147780	A93K11001 & Above, AC2P11001 & Above	I-U-10	1-3/4	3-1/2	BCK-7196901	99.13
	7147780	AR1K11001 & Above	I-U-10	1-3/4	3-1/2	BCK-7196901	99.13
	7147780	B3GR11001 & Above	I-U-10	1-3/4	3-1/2	BCK-7196901	99.13
	7147780	B3K811001 & Above	I-U-10	1-3/4	3-1/2	BCK-7196901	99.13
	7313918	B3WZ11001 & Above	I-U-10	1-3/4	3-1/2	BCK-7196901	99.13
BLADE (Angle)	7153416	A93K11001 & Above, AC2P11001 & Above	I-U-10	1-1/2	2-1/2	BCK-7135559	44.49
	7153416	AR1K11001 & Above	I-U-10	1-1/2	2-1/2	BCK-7135559	44.49
	7153416	B3GR11001 & Above	I-U-10	1-1/2	2-1/2	BCK-7135559	44.49
	7153416	B3K811001 & Above	I-U-10	1-1/2	2-1/2	BCK-7135559	44.49

BOBCAT

BOBCAT

BOBCAT

Excavators - Compact							
APPLICATION	CYL #	SERIAL #	CODE	ROD	BORE	KIT #	List \$
MODEL E35							
BLADE (Angle)	7153416	B3WZ11001 & Above	I-U-10	1-1/2	2-1/2	BCK-7135559	44.49
BOOM	7191555	A93K11001 & Above, AC2P11001 & Above	I-U-10	1-3/4	3	BCK-7197632	61.49
	7191555	AR1K11001 & Above	I-U-10	1-3/4	3	BCK-7197632	61.49
	7191555	B3GR11001 & Above	I-U-10	1-3/4	3	BCK-7197632	61.49
	7191555	B3K811001 & Above	I-U-10	1-3/4	3	BCK-7197632	61.49
	7267330	B3WZ11001 & Above	I-U-10	1-3/4	3	BCK-7197632	61.49
BOOM (Swing)	7147216	A93K11001 & Above, AC2P11001 & Above	I-U-10	1-3/4	3-1/4	BCK-7147833	37.35
	7147216	AR1K11001 & Above	I-U-10	1-3/4	3-1/4	BCK-7147833	37.35
	7147216	B3GR11001 & Above	I-U-10	1-3/4	3-1/4	BCK-7147833	37.35
	7147216	B3K811001 & Above	I-U-10	1-3/4	3-1/4	BCK-7147833	37.35
	7310861	B3WZ11001 & Above	I-U-10	1-3/4	3-1/4	BCK-7147833	37.35
BUCKET	7148268	A93K11001 & Above, AC2P11001 & Above	I-U-10	1-3/4	2-3/4	BCK-7168820	37.61
	7148268	AR1K11001 & Above	I-U-10	1-3/4	2-3/4	BCK-7168820	37.61
	7148268	B3GR11001 & Above	I-U-10	1-3/4	2-3/4	BCK-7168820	37.61
	7148268	B3K811001 & Above	I-U-10	1-3/4	2-3/4	BCK-7168820	37.61
	7148268	B3WZ11001 & Above	I-U-10	1-3/4	2-3/4	BCK-7168820	37.61
BUCKET (Extendable Arm)	7196762	A93K11001 & Above, AC2P11001 & Above	I-U-10	1-3/4	2-3/4	BCK-7168820	37.61
	7196762	AR1K11001 & Above	I-U-10	1-3/4	2-3/4	BCK-7168820	37.61
	7196762	B3WZ11001 & Above	I-U-10	1-3/4	2-3/4	BCK-7168820	37.61
MODEL E35i							
ARM	7161189	AUYM11001 & Above	I-U-10	1-3/4	3	BCK-7161331	112.53
	7161189	B3Y211001 & Above	I-U-10	1-3/4	3	BCK-7161331	112.53
ARM (Extendable)	7219004	AUYM11001 & Above	I-U-10	1-1/2	2-1/4	BCK-7135557	44.82
	7219004	B3Y211001 & Above	I-U-10	1-1/2	2-1/4	BCK-7135557	44.82
BLADE	7147780	AUYM11001 & Above	I-U-10	1-3/4	3-1/2	BCK-7196901	99.13
	7313918	B3Y211001 & Above	I-U-10	1-3/4	3-1/2	BCK-7196901	99.13
BLADE ANGLE	7153416	AUYM11001 & Above	I-U-10	1-1/2	2-1/2	BCK-7135559	44.49
	7153416	B3Y211001 & Above	I-U-10	1-1/2	2-1/2	BCK-7135559	44.49
BOOM	7191555	AUYM11001 & Above	I-U-10	1-3/4	3	BCK-7197632	61.49
	7267330	B3Y211001 & Above	I-U-10	1-3/4	3	BCK-7197632	61.49
BOOM (Swing)	7147216	AUYM11001 & Above	I-U-10	1-3/4	3-1/4	BCK-7147833	37.35
	7310861	B3Y211001 & Above	I-U-10	1-3/4	3-1/4	BCK-7147833	37.35
BUCKET	7148268	AUYM11001 & Above	I-U-10	1-3/4	2-3/4	BCK-7168820	37.61
	7148268	B3Y211001 & Above	I-U-10	1-3/4	2-3/4	BCK-7168820	37.61
BUCKET (Extendable Arm)	7196762	AUYM11001 & Above	I-U-10	1-3/4	2-3/4	BCK-7168820	37.61
	7196762	B3Y211001 & Above	I-U-10	1-3/4	2-3/4	BCK-7168820	37.61
MODEL E42							
ARM	7175158	AG3411001 & Above	I-U-10	2	3-1/4	BCK-7166257	94.03
	7175158	B2VW11001 & Above	I-U-10	2	3-1/4	BCK-7166257	94.03
	7175158	B4GM11001 & Above	I-U-10	2	3-1/4	BCK-7166257	94.03
ARM (Extendable)	7219322	AG3411001 & Above	I-U-10	1-1/2	2-1/4	BCK-7135557	44.82
	7219322	B2VW11001 & Above	I-U-10	1-1/2	2-1/4	BCK-7135557	44.82
	7219322	B4GM11001 & Above	I-U-10	1-1/2	2-1/4	BCK-7135557	44.82
BLADE	7176988	AG3411001 & Above	I-U-10	1-3/4	3-1/2	BCK-7196901	99.13
	7176988	B2VW11001 & Above	I-U-10	1-3/4	3-1/2	BCK-7196901	99.13
BLADE (Angle Blade)	7378597	B4GM11001 & Above	I-U-10	2	4	BCK-7196449	79.07
BLADE (Angle)	7153416	B2VW11001 & Above	I-U-10	1-1/2	2-1/2	BCK-7135559	44.49
	7164492	B4GM11001 & Above	I-U-10	1-1/2	2-1/2	BCK-7135559	44.49
BLADE (Std Blade)	7378605	B4GM11001 & Above	I-U-10	2	3-3/4	BCK-7196481	81.74
BOOM	7192624	B2VW11001 & Above	I-U-10	2	3-3/4	BCK-7196484	88.44
	7385949	B4GM11001 & Above	I-U-10	2	3-3/4	BCK-7196484	88.44
BOOM (Swing)	7178023	AG3411001 & Above	I-U-10	1-3/4	3-1/2	BCK-7196905	75.39

BOBCAT

Excavators - Compact							
APPLICATION	CYL #	SERIAL #	CODE	ROD	BORE	KIT #	List \$
MODEL E42							
BOOM (Swing)	7178023	B2VW11001 & Above	I-U-10	1-3/4	3-1/2	BCK-7196905	75.39
	7390628	B4GM11001 & Above	I-U-10	1-3/4	3-1/2	BCK-7196905	75.39
BUCKET	7175041	AG3411001 & Above	I-U-10	1-3/4	3	BCK-7161331	112.53
	7175041	B2VW11001 & Above	I-U-10	1-3/4	3	BCK-7161331	112.53
	7175041	B4GM11001 & Above	I-U-10	1-3/4	3	BCK-7161331	112.53
MODEL E45							
ARM	7175158	AG3G11001 & Above, AHHC11001 & Above	I-U-10	2	3-1/4	BCK-7166257	94.03
	7175158	B2VY11001 & Above	I-U-10	2	3-1/4	BCK-7166257	94.03
	7175158	B3NM11001 & Above	I-U-10	2	3-1/4	BCK-7166257	94.03
	7175158	B3NR11001 & Above	I-U-10	2	3-1/4	BCK-7166257	94.03
ARM (Extendable)	7219322	AG3G11001 & Above, AHHC11001 & Above	I-U-10	1-1/2	2-1/4	BCK-7135557	44.82
	7219322	B2VY11001 & Above	I-U-10	1-1/2	2-1/4	BCK-7135557	44.82
	7219322	B3NM11001 & Above	I-U-10	1-1/2	2-1/4	BCK-7135557	44.82
BLADE (Angle)	7165711	AG3G11001 & Above, AHHC11001 & Above	I-U-10	2	4	BCK-7196449	79.07
	7165711	B2VY11001 & Above	I-U-10	2	4	BCK-7196449	79.07
	7165711	B3NM11001 & Above	I-U-10	2	4	BCK-7196449	79.07
	7165711	B3NR11001 & Above	I-U-10	2	4	BCK-7196449	79.07
BLADE (Std)	7201732	AG3G11001 & Above, AHHC11001 & Above	I-U-10	2	3-3/4	BCK-7196481	81.74
	7201732	B2VY11001 & Above	I-U-10	2	3-3/4	BCK-7196481	81.74
	7201732	B3NM11001 & Above	I-U-10	2	3-3/4	BCK-7196481	81.74
	7201732	B3NR11001 & Above	I-U-10	2	3-3/4	BCK-7196481	81.74
BLADE ANGLE	7164492	AG3G11001 & Above, AHHC11001 & Above	I-U-10	1-1/2	2-1/2	BCK-7135559	44.49
	7164492	B2VY11001 & Above	I-U-10	1-1/2	2-1/2	BCK-7135559	44.49
	7164492	B3NM11001 & Above	I-U-10	1-1/2	2-1/2	BCK-7135559	44.49
	7164492	B3NR11001 & Above	I-U-10	1-1/2	2-1/2	BCK-7135559	44.49
BOOM	7192624	AG3G11001 & Above, AHHC11001 & Above	I-U-10	2	3-3/4	BCK-7196484	88.44
	7192624	B2VY11001 & Above	I-U-10	2	3-3/4	BCK-7196484	88.44
	7192624	B3NM11001 & Above	I-U-10	2	3-3/4	BCK-7196484	88.44
	7192624	B3NR11001 & Above	I-U-10	2	3-3/4	BCK-7196484	88.44
BOOM (Swing)	7178023	AG3G11001 & Above, AHHC11001 & Above	I-U-10	1-3/4	3-1/2	BCK-7196905	75.39
	7178023	B2VY11001 & Above	I-U-10	1-3/4	3-1/2	BCK-7196905	75.39
	7178023	B3NM11001 & Above	I-U-10	1-3/4	3-1/2	BCK-7196905	75.39
	7178023	B3NR11001 & Above	I-U-10	1-3/4	3-1/2	BCK-7196905	75.39
BUCKET	7175041	AG3G11001 & Above, AHHC11001 & Above	I-U-10	1-3/4	3	BCK-7161331	112.53
	7175041	B2VY11001 & Above	I-U-10	1-3/4	3	BCK-7161331	112.53
	7175041	B3NM11001 & Above	I-U-10	1-3/4	3	BCK-7161331	112.53
	7175041	B3NR11001 & Above	I-U-10	1-3/4	3	BCK-7161331	112.53
MODEL E50							
ARM	7166180	AG3N11001 & Above, AHHE11001 & Above	I-U-10	2-1/4	3-1/2	BCK-7196904	94.60
	7166180	AJ1811001 & Above	I-U-10	2-1/4	3-1/2	BCK-7196904	94.60
	7166180	B3NN11001 & Above	I-U-10	2-1/4	3-1/2	BCK-7196904	94.60
	7166180	B3NS11001 & Above	I-U-10	2-1/4	3-1/2	BCK-7196904	94.60
	7378595	B4GP11001 & Above	I-U-10	2-1/4	3-1/2	BCK-7196904	94.60
BLADE	7165711	AG3N11001 & Above, AHHE11001 & Above	I-U-10	2	4	BCK-7196449	79.07
	7165711	AJ1811001 & Above	I-U-10	2	4	BCK-7196449	79.07
	7165711	B3NN11001 & Above	I-U-10	2	4	BCK-7196449	79.07
	7165711	B3NS11001 & Above	I-U-10	2	4	BCK-7196449	79.07

BOBCAT

Excavators - Compact							
APPLICATION	CYL #	SERIAL #	CODE	ROD	BORE	KIT #	List \$
MODEL E50							
BLADE	7378597	B4GP11001 & Above	I-U-10	2	4	BCK-7196449	79.07
BLADE (Angle)	7164492	AG3N11001 & Above, AHHE11001 & Above	I-U-10	1-1/2	2-1/2	BCK-7135559	44.49
	7164492	AJ1811001 & Above	I-U-10	1-1/2	2-1/2	BCK-7135559	44.49
	7164492	B3NN11001 & Above	I-U-10	1-1/2	2-1/2	BCK-7135559	44.49
	7164492	B3NS11001 & Above	I-U-10	1-1/2	2-1/2	BCK-7135559	44.49
	7164492	B4GP11001 & Above	I-U-10	1-1/2	2-1/2	BCK-7135559	44.49
BOOM	7198049	AJ1811001 & Above	I-U-10	2-1/4	4	BCK-7196450	95.02
	7378593	B4GP11001 & Above	I-U-10	2-1/4	4	BCK-7196450	95.02
BOOM (Swing)	7166016	AG3N11001 & Above, AHHE11001 & Above	I-U-10	2	3-3/4	BCK-7196481	81.74
	7166016	AJ1811001 & Above	I-U-10	2	3-3/4	BCK-7196481	81.74
	7166016	B3NN11001 & Above	I-U-10	2	3-3/4	BCK-7196481	81.74
	7166016	B3NS11001 & Above	I-U-10	2	3-3/4	BCK-7196481	81.74
	7390630	B4GP11001 & Above	I-U-10	2	3-3/4	BCK-7196481	81.74
BOOM (w/Head Set Screw)	7198049	AG3N11001 & Above, AHHE11001 & Above	I-U-10	2-1/4	4	BCK-7196450	95.02
	7198049	B3NN11001 & Above	I-U-10	2-1/4	4	BCK-7196450	95.02
	7198049	B3NS11001 & Above	I-U-10	2-1/4	4	BCK-7196450	95.02
BUCKET	7166323	AG3N11001 & Above, AHHE11001 & Above	I-U-10	2	3-1/4	BCK-7166330	75.85
	7166323	AJ1811001 & Above	I-U-10	2	3-1/4	BCK-7166330	75.85
	7166323	B3NN11001 & Above	I-U-10	2	3-1/4	BCK-7166330	75.85
	7166323	B3NS11001 & Above	I-U-10	2	3-1/4	BCK-7166330	75.85
	7166323	B4GP11001 & Above	I-U-10	2	3-1/4	BCK-7166330	75.85
MODEL E55							
ARM	7166180	AJ1911001 & Above	I-U-10	2-1/4	3-1/2	BCK-7196904	94.60
	7166180	ARWM11001 & Above, ASW311001 & Above	I-U-10	2-1/4	3-1/2	BCK-7196904	94.60
	7166180	B3NP11001 & Above	I-U-10	2-1/4	3-1/2	BCK-7196904	94.60
	7166180	B3NT11001 & Above	I-U-10	2-1/4	3-1/2	BCK-7196904	94.60
ARM (Extendable)	7219004	AJ1911001 & Above	I-U-10	1-1/2	2-1/4	BCK-7135557	44.82
	7219004	ARWM11001 & Above, ASW311001 & Above	I-U-10	1-1/2	2-1/4	BCK-7135557	44.82
	7219004	B3NP11001 & Above	I-U-10	1-1/2	2-1/4	BCK-7135557	44.82
	7219004	B3NT11001 & Above	I-U-10	1-1/2	2-1/4	BCK-7135557	44.82
BLADE	7165711	AJ1911001 & Above	I-U-10	2	4	BCK-7196449	79.07
	7165711	ARWM11001 & Above, ASW311001 & Above	I-U-10	2	4	BCK-7196449	79.07
	7165711	B3NP11001 & Above	I-U-10	2	4	BCK-7196449	79.07
	7165711	B3NT11001 & Above	I-U-10	2	4	BCK-7196449	79.07
BLADE ANGLE	7164492	AJ1911001 & Above	I-U-10	1-1/2	2-1/2	BCK-7135559	44.49
	7164492	ARWM11001 & Above, ASW311001 & Above	I-U-10	1-1/2	2-1/2	BCK-7135559	44.49
	7164492	B3NP11001 & Above	I-U-10	1-1/2	2-1/2	BCK-7135559	44.49
	7164492	B3NT11001 & Above	I-U-10	1-1/2	2-1/2	BCK-7135559	44.49
BOOM	7198049	AJ1911001 & Above	I-U-10	2-1/4	4	BCK-7196450	95.02
	7198049	ARWM11001 & Above, ASW311001 & Above	I-U-10	2-1/4	4	BCK-7196450	95.02
	7198049	B3NP11001 & Above	I-U-10	2-1/4	4	BCK-7196450	95.02
	7198049	B3NT11001 & Above	I-U-10	2-1/4	4	BCK-7196450	95.02
BOOM (Swing)	7166016	AJ1911001 & Above	I-U-10	2	3-3/4	BCK-7196481	81.74
	7166016	ARWM11001 & Above, ASW311001 & Above	I-U-10	2	3-3/4	BCK-7196481	81.74
	7166016	B3NP11001 & Above	I-U-10	2	3-3/4	BCK-7196481	81.74
	7166016	B3NT11001 & Above	I-U-10	2	3-3/4	BCK-7196481	81.74
BUCKET	7166323	AJ1911001 & Above	I-U-10	2	3-1/4	BCK-7166330	75.85

BOBCAT

BOBCAT

Replacement Kits For

Excavators - Compact							
APPLICATION	CYL #	SERIAL #	CODE	ROD	BORE	KIT #	List \$
MODEL E55							
BUCKET	7166323	ARWM11001 & Above, ASW311001 & Above	I-U-10	2	3-1/4	BCK-7166330	75.85
	7166323	B3NP11001 & Above	I-U-10	2	3-1/4	BCK-7166330	75.85
	7166323	B3NT11001 & Above	I-U-10	2	3-1/4	BCK-7166330	75.85
Loaders - Skid Steer							
APPLICATION	CYL #	SERIAL #	CODE	ROD	BORE	KIT #	List \$
MODEL 310, 313, 371							
LIFT			I-U-10	1	2	BCK-6587790	20.63
TILT			I-U-10	1	2	BCK-6587790	20.63
MODEL 440							
LIFT			I-U-10	1	2	BCK-6587790	20.63
MODEL 440B							
LIFT			I-U-10	1	2	BCK-6803472	23.40
TILT	6589196	505214001	I-U-10	1-1/4	3	BCK-6803334	36.12
	6592700	505214001	I-U-10	1-1/4	3	BCK-6803334	36.12
MODEL 443							
LIFT			I-U-10	1	2	BCK-6803472	23.40
TILT			I-U-10	1-1/4	3	BCK-6803334	36.12
MODEL 444, 500							
LIFT			I-U-10	1-1/4	2	BCK-6803329	29.71
TILT			I-U-10	1	2	BCK-6803472	23.40
MODEL 450, 453							
LIFT			I-U-10	1	2	BCK-6587790	20.63
MODEL 463							
LIFT	6808340		I-U-10	1-1/4	2	BCK-6804927	39.88
	6812771		I-U-10	1-1/4	2	BCK-6804927	39.88
TILT	6815746		I-U-10	1-1/4	3	BCK-6803334	36.12
	6815798		I-U-10	1-1/4	3	BCK-6803334	36.12
MODEL 520, 530, 533, 540, 542B, 543							
LIFT			I-U-10	1-1/4	2	BCK-6803329	29.71
TILT			I-U-10	1-1/2	3	BCK-6804604	46.05
MODEL 543B							
TILT			I-U-10	1-1/2	3	BCK-6803272	33.27
MODEL 553							
LIFT			I-U-10	1-1/4	2	BCK-6586298	26.95
TILT			I-U-10	1-1/2	3	BCK-6803272	33.27
MODEL 600, 610, 620							
LIFT			I-U-10	1-1/4	2	BCK-6803329	29.71
TILT			I-U-10	1	2	BCK-6803472	23.40
MODEL 630							
LIFT			I-U-10	1-1/4	2	BCK-6803329	29.71
TILT			I-U-10	1-1/2	3-1/4	BCK-6804605	55.63
			I-U-10	1-1/2	3	BCK-6804604	46.05
MODEL 640							
TILT			I-U-10	1-1/2	3-1/4	BCK-6661297	22.45
			I-U-10	1-1/2	3-1/4	BCK-6661308	27.58
MODEL 642							
LIFT	6586671	5014-M-11001	I-U-10	1-1/4	2	BCK-6803329	29.71
TILT w/ Replaceable Tube			I-U-10	1-1/2	3-1/4	BCK-6804605	55.63
			I-U-10	1-1/2	3-1/4	BCK-6661297	22.45
TILT w/ Welded Tube			I-U-10	1-1/2	3-1/4	BCK-6804605	55.63
MODEL 642B							
LIFT			I-U-10	1-1/4	2	BCK-6803329	29.71
TILT			I-U-10	1-1/2	3-1/4	BCK-6804605	55.63
MODEL 643							
LIFT w/ Replaceable Tube	6586671	5015-M-13001	I-U-10	1-1/4	2	BCK-6803329	29.71
TILT w/ Replaceable Tube			I-U-10	1-1/2	3-1/4	BCK-6661297	22.45

Replacement Kits For

BOBCAT

Loaders - Skid Steer							
APPLICATION	CYL #	SERIAL #	CODE	ROD	BORE	KIT #	List \$
MODEL 643							
TILT w/ Replaceable Tube			I-U-10	1-1/2	3-1/4	BCK-6804605	55.63
TILT w/ Welded Tube			I-U-10	1-1/2	3-1/4	BCK-6804605	55.63
MODEL 653							
TILT			I-U-10	1-1/2	3-1/4	BCK-6589792	40.24
MODEL 700, 720, 721, 722							
LIFT			I-U-10	1-1/4	2	BCK-6803329	29.71
TILT			I-U-10	1	2	BCK-6587790	20.63
			I-U-10	1	2	BCK-6803472	23.40
MODEL 730, 731, 732							
LIFT			I-U-10	1-1/4	2	BCK-6803329	29.71
			I-U-10	1-1/2	3-1/4	BCK-6804605	55.63
TILT			P-U-10	1-1/2	3-1/4	BCK-6514736	28.71
			I-U-10	1-1/2	3-1/4	BCK-6804605	55.63
MODEL 733							
TILT			P-U-10	1-1/2	3-1/4	BCK-6514736	28.71
MODEL 741, 742, 743							
LIFT			I-U-10	1-1/4	2	BCK-6803329	29.71
LIFT w/ Replaceable Tube			I-U-10	1-1/4	2	BCK-6803329	29.71
TILT			P-U-10	1-1/2	3-1/4	BCK-6514736	28.71
			I-U-10	1-1/2	3-1/4	BCK-6804605	55.63
TILT(CESSNA)			P-U-10	1-1/2	3-1/4	BCK-6514736	28.71
TILT(MELROE)			I-U-10	1-1/2	3-1/4	BCK-6804605	55.63
		<=12999	I-U-10	1-1/2	3-1/4	BCK-6661297	22.45
MODEL 742B							
LIFT	6586671	18001 & Above	I-U-10	1-1/4	2	BCK-6803329	29.71
TILT			I-U-10	1-1/2	3-1/4	BCK-6804605	55.63
MODEL 743B							
LIFT w/ Replaceable Tube	6586671		I-U-10	1-1/4	2	BCK-6803329	29.71
TILT(MELROE)			I-U-10	1-1/2	3-1/4	BCK-6804605	55.63
MODEL 743DS							
LIFT			I-U-10	1-1/4	2	BCK-6803329	29.71
TILT			I-U-10	1-1/2	3-1/4	BCK-6661297	22.45
MODEL 751							
LIFT	6586575	514711001	I-U-10	1-1/4	2	BCK-6803329	29.71
TILT			I-U-10	1-1/2	3-1/4	BCK-6804605	55.63
MODEL 753							
LIFT			I-U-10	1-1/4	2	BCK-6803329	29.71
TILT			I-U-10	1-1/2	3-1/4	BCK-6589792	40.24
			I-U-10	1-1/2	3-1/4	BCK-6804605	55.63
MODEL 763							
LIFT	6589259	512212001 & UP	I-U-10	1-1/2	2-1/4	BCK-6803325	36.03
TILT w/ Rod Eye Grease	6804630	512212001 & UP	I-U-10	1-1/2	3-1/2	BCK-6804606	41.84
MODEL 773							
LIFT	6537254	509616001-509629999; 509635001-UP	I-U-10	1-1/2	2-1/4	BCK-6803325	36.03
	7117667;680 5056	500K11001-UP; 517611001-517624999; 518011001-UP; 518111001- 518114999; 519011001- 519027999; 519211001- 519214999	I-U-10	1-1/2	2-1/2	BCK-7135559	44.49
TILT	6804630;653 9931;658658 7	509616001-509629999; 509635001-UP	I-U-10	1-1/2	3-1/2	BCK-6804606	41.84

BOBCAT

Replacement Kits For

BOBCAT

Loaders - Skid Steer							
APPLICATION	CYL #	SERIAL #	CODE	ROD	BORE	KIT #	List \$
MODEL 773							
TILT	7117174; 6806331	500K11001-UP; 517611001-517624999; 518011001-UP; 518111001- 518114999; 519011001- 519027999; 519211001- 519214999	I-U-10	1-3/8	2-3/4	BCK-6806330	40.56
MODEL 825							
LIFT			I-U-10	1-1/2	2-1/4	BCK-6589793	30.42
			I-U-10	1-1/2	2-1/4	BCK-6555117	15.41
TILT			I-U-10	1	2-1/4	BCK-6544447	15.94
TILT w/ Replaceable Tube			I-U-10	1-1/2	3-1/4	BCK-6661297	22.45
MODEL 843							
LIFT			I-U-10	1-1/2	2-1/4	BCK-6589793	30.42
TILT			I-U-10	1-1/2	3-1/4	BCK-6804605	55.63
MODEL 843B							
LIFT	6529692	503760001	I-U-10	1-1/2	2-1/4	BCK-6589793	30.42
TILT			I-U-10	1-1/2	3-1/4	BCK-6804605	55.63
MODEL 853							
LIFT			I-U-10	1-1/2	2-1/4	BCK-6589793	30.42
	6587125	512811001-15999	I-U-10	1-1/2	2-1/4	BCK-6586915	30.50
TILT			I-U-10	1-1/2	3-1/4	BCK-6804605	55.63
MODEL 863							
LIFT	6800973	514411001 & UP	I-U-10	1-3/4	2-1/2	BCK-6803312	39.42
TILT			I-U-10	1-1/2	3-1/2	BCK-6804606	41.84
	6800466	514411001 & UP	I-U-10	1-5/8	3-1/2	BCK-6804615	42.52
MODEL 873							
LIFT	6589198	514111001 & UP	I-U-10	1-1/2	2-3/4	BCK-6804609	54.85
TILT - LH	6597376	514111574-15042	I-U-10	1-1/4	2-1/2	BCK-6595177	29.94
	6597387	514111001-514111573	I-U-10	1-1/4	2-1/2	BCK-6595177	29.94
	6800683	514115043 & UP	I-U-10	1-5/8	2-3/4	BCK-6804616	57.20
TILT - RH	6597377	514111574-15042	I-U-10	1-1/4	2-1/2	BCK-6595177	29.94
	6597388	514111001-514111573	I-U-10	1-1/4	2-1/2	BCK-6595177	29.94
	6800682	514115043 & UP	I-U-10	1-5/8	2-3/4	BCK-6804616	57.20
MODEL 943							
LIFT			I-U-10	1-3/4	3	BCK-6804603	46.54
			I-U-10	1-1/2	3	BCK-6661053	28.19
TILT			I-U-10	1-1/2	3	BCK-6804604	46.05
MODEL 953							
TILT			I-U-10	1-1/2	3	BCK-6803272	33.27
MODEL 970							
LIFT			I-U-10	2	3-1/2	BCK-6588059	54.30
		Prior to 110418	I-V-10	2	3-1/2	BCK-6509053	25.99
TILT			I-U-10	1-1/2	3	BCK-6804604	46.05
MODEL 974, 975							
LIFT			I-U-10	2	3-1/2	BCK-6588059	54.30
TILT			I-U-10	1-1/2	3	BCK-6804604	46.05
MODEL 980							
LIFT			I-U-10	2	3-1/2	BCK-6588059	54.30
TILT			I-U-10	1-1/2	3	BCK-6804604	46.05
MODEL 1213							
LIFT			I-U-10	1-1/2	2-1/4	BCK-6589793	30.42
MODEL A300							
LIFT	6817310		I-U-10	1-5/8	3	BCK-7137939	44.36
	7106456		I-U-10	1-5/8	3	BCK-7137939	44.36
STEERING	6814126		I-U-10	1	2	BCK-7137772	25.62
TILT	6810233		I-U-10	1-1/2	3	BCK-7135547	44.48

BOBCAT

Replacement Kits For

BOBCAT

Loaders - Skid Steer							
APPLICATION	CYL #	SERIAL #	CODE	ROD	BORE	KIT #	List \$
MODEL S70							
LIFT	6812771	A3W611001 & Above, A3W711001 & Above	I-U-10	1-1/4	2	BCK-7137770	39.88
	6812771	B38V11001 & Above	I-U-10	1-1/4	2	BCK-7137770	39.88
	6812771	B38W11001 & Above	I-U-10	1-1/4	2	BCK-7137770	39.88
	6812771	B4TY11001 & Above	I-U-10	1-1/4	2	BCK-7137770	39.88
	6812771	B4UC11001 & Above	I-U-10	1-1/4	2	BCK-7137770	39.88
TILT	6815798	A3W611001 & Above, A3W711001 & Above	I-U-10	1-1/4	3	BCK-7137944	55.59
	6815798	B38V11001 & Above	I-U-10	1-1/4	3	BCK-7137944	55.59
	6815798	B38W11001 & Above	I-U-10	1-1/4	3	BCK-7137944	55.59
	6815798	B4TY11001 & Above	I-U-10	1-1/4	3	BCK-7137944	55.59
	6815798	B4UC11001 & Above	I-U-10	1-1/4	3	BCK-7137944	55.59
MODEL S130							
LIFT	6809201		I-U-10	1-1/4	2	BCK-7137770	39.88
TILT	6804630		I-U-10	1-1/2	3-1/2	BCK-7135555	48.52
MODEL S150, S160							
LIFT	6811994		I-U-10	1-1/2	2-1/4	BCK-7135557	44.82
TILT	6809802		I-U-10	1-3/8	2-3/4	BCK-6806330	40.56
	7117174		I-U-10	1-3/8	2-3/4	BCK-6806330	40.56
MODEL S175, S185							
LIFT	7117667		I-U-10	1-1/2	2-1/2	BCK-7135559	44.49
TILT	7117174		I-U-10	1-3/8	2-3/4	BCK-6806330	40.56
MODEL S205							
LIFT	6811995		I-U-10	1-1/2	2-1/2	BCK-6816537	44.49
	7107895		I-U-10	1-1/2	2-1/2	BCK-6816537	44.49
	7117667		I-U-10	1-1/2	2-1/2	BCK-7135559	44.49
TILT	6809802		I-U-10	1-3/8	2-3/4	BCK-6806330	40.56
	7117174		I-U-10	1-3/8	2-3/4	BCK-6806330	40.56
MODEL S220							
LIFT	6815757		I-U-10	1-3/4	2-1/2	BCK-7137865	31.93
TILT	6810233		I-U-10	1-1/2	3	BCK-7135547	44.48
MODEL S250, S300							
LIFT	6817310		I-U-10	1-5/8	3	BCK-7137939	44.36
	7106456		I-U-10	1-5/8	3	BCK-7137939	44.36
TILT	6810233		I-U-10	1-1/2	3	BCK-7135547	44.48
MODEL S530							
LIFT	7152266	A7TV11001 & Above	I-U-10	1-5/8	2-3/4	BCK-7135489	31.63
	7152266	A7TW11001 & Above, A7TW11001 - A7TW11005, AZN711001 & Above	I-U-10	1-5/8	2-3/4	BCK-7135489	31.63
	7152266	ALR811001 & Above	I-U-10	1-5/8	2-3/4	BCK-7135489	31.63
	7152266	ATZD11001 & Above, AZN611001 & Above	I-U-10	1-5/8	2-3/4	BCK-7135489	31.63
	7152266	B42811001 & Above	I-U-10	1-5/8	2-3/4	BCK-7135489	31.63
	7152266	B42T11001 & Above	I-U-10	1-5/8	2-3/4	BCK-7135489	31.63
LIFT (Cushion)	7256068	A7TV11001 & Above	I-U-10	1-5/8	2-3/4	BCK-7135489	31.63
	7256068	A7TW11001 & Above, A7TW11001 - A7TW11005, AZN711001 & Above	I-U-10	1-5/8	2-3/4	BCK-7135489	31.63
	7256068	ALR811001 & Above	I-U-10	1-5/8	2-3/4	BCK-7135489	31.63
	7256068	ATZD11001 & Above, AZN611001 & Above	I-U-10	1-5/8	2-3/4	BCK-7135489	31.63
	7256068	B42811001 & Above	I-U-10	1-5/8	2-3/4	BCK-7135489	31.63
	7256068	B42T11001 & Above	I-U-10	1-5/8	2-3/4	BCK-7135489	31.63
LIFT (Roquet)	7362656, 7275997	A7TW11001 & Above, A7TW11001 - A7TW11005, AZN711001 & Above	I-U-10	40 mm	70 mm	BCK-7325324	68.02

BOBCAT

Replacement Kits For

BOBCAT

Loaders - Skid Steer							
APPLICATION	CYL #	SERIAL #	CODE	ROD	BORE	KIT #	List \$
MODEL S530							
LIFT (Roquet)	7362656, 7275997	ATZD11001 & Above, AZN611001 & Above	I-U-10	40 mm	70 mm	BCK-7325324	68.02
	7362656, 7275997	B42811001 & Above	I-U-10	40 mm	70 mm	BCK-7325324	68.02
	7362656, 7275997	B42T11001 & Above	I-U-10	40 mm	70 mm	BCK-7325324	68.02
	7362656, 7275997	B4KA11001 & Above	I-U-10	40 mm	70 mm	BCK-7325324	68.02
TILT	7338638	A7TV11001 & Above	I-U-10	1-1/2	2-3/4	BCK-7199903	29.89
	7338638	ALR811001 & Above	I-U-10	1-1/2	2-3/4	BCK-7199903	29.89
TILT (Roquet)	7362657	B4KA11001 & Above	I-U-10	40 mm	70 mm	BCK-7325333	58.75
	7362657, 7275998	A7TW11001 & Above, A7TW11001 - A7TW11005, AZN711001 & Above	I-U-10	40 mm	70 mm	BCK-7325333	58.75
	7362657, 7275998	ATZD11001 & Above, AZN611001 & Above	I-U-10	40 mm	70 mm	BCK-7325333	58.75
	7362657, 7275998	B42811001 & Above	I-U-10	40 mm	70 mm	BCK-7325333	58.75
	7362657, 7275998	B42T11001 & Above	I-U-10	40 mm	70 mm	BCK-7325333	58.75
MODEL S570							
LIFT	7152266	A7U711001 & Above	I-U-10	1-5/8	2-3/4	BCK-7135489	31.63
	7152266	A7U811001 & Above, A7U811001 - A7U811005, AZNC11001 & Above	I-U-10	1-5/8	2-3/4	BCK-7135489	31.63
	7152266	ALM411001 & Above	I-U-10	1-5/8	2-3/4	BCK-7135489	31.63
	7152266	AZNB11001 & Above	I-U-10	1-5/8	2-3/4	BCK-7135489	31.63
LIFT (Cushion)	7256068	A7U711001 & Above	I-U-10	1-5/8	2-3/4	BCK-7135489	31.63
	7256068	A7U811001 & Above, A7U811001 - A7U811005, AZNC11001 & Above	I-U-10	1-5/8	2-3/4	BCK-7135489	31.63
	7256068	ALM411001 & Above	I-U-10	1-5/8	2-3/4	BCK-7135489	31.63
	7256068	AZNB11001 & Above	I-U-10	1-5/8	2-3/4	BCK-7135489	31.63
	7256068	B3GZ11001 & Above	I-U-10	1-5/8	2-3/4	BCK-7135489	31.63
LIFT (Roquet)	7275997	A7U811001 & Above, A7U811001 - A7U811005, AZNC11001 & Above	I-U-10	40 mm	70 mm	BCK-7325324	68.02
	7275997	AZNB11001 & Above	I-U-10	40 mm	70 mm	BCK-7325324	68.02
	7275997	B3GZ11001 & Above	I-U-10	40 mm	70 mm	BCK-7325324	68.02
TILT		A7U711001 & Above	I-U-10	1-1/2	2-3/4	BCK-7199903	29.89
		A7U811001 & Above, A7U811001 - A7U811005, AZNC11001 & Above	I-U-10	1-1/2	2-3/4	BCK-7199903	29.89
		ALM411001 & Above	I-U-10	1-1/2	2-3/4	BCK-7199903	29.89
		AZNB11001 & Above	I-U-10	1-1/2	2-3/4	BCK-7199903	29.89
		B3GZ11001 & Above	I-U-10	1-1/2	2-3/4	BCK-7199903	29.89
	7338638	A7U711001 & Above	I-U-10	1-1/2	2-3/4	BCK-7199903	29.89
	7338638	ALM411001 & Above	I-U-10	1-1/2	2-3/4	BCK-7199903	29.89
TILT (Roquet)	7275998	A7U811001 & Above, A7U811001 - A7U811005, AZNC11001 & Above	I-U-10	40 mm	70 mm	BCK-7325333	58.75
	7275998	AZNB11001 & Above	I-U-10	40 mm	70 mm	BCK-7325333	58.75
	7275998	B3GZ11001 & Above	I-U-10	40 mm	70 mm	BCK-7325333	58.75
MODEL S590							
LIFT	7152266	ANMN11001 & Above	I-U-10	1-5/8	2-3/4	BCK-7135489	31.63
	7152266	ANMP11001 - ANMP11005, AZNE11001 & Above	I-U-10	1-5/8	2-3/4	BCK-7135489	31.63
	7152266	AR9R11001 & Above	I-U-10	1-5/8	2-3/4	BCK-7135489	31.63

BOBCAT

Replacement Kits For

BOBCAT

Loaders - Skid Steer							
APPLICATION	CYL #	SERIAL #	CODE	ROD	BORE	KIT #	List \$
MODEL S590							
LIFT	7152266	AZND11001 & Above	I-U-10	1-5/8	2-3/4	BCK-7135489	31.63
LIFT (Cushion)	7256068	ANMN11001 & Above	I-U-10	1-5/8	2-3/4	BCK-7135489	31.63
	7256068	ANMP11001 - ANMP11005, AZNE11001 & Above	I-U-10	1-5/8	2-3/4	BCK-7135489	31.63
	7256068	AR9R11001 & Above	I-U-10	1-5/8	2-3/4	BCK-7135489	31.63
	7256068	AZND11001 & Above	I-U-10	1-5/8	2-3/4	BCK-7135489	31.63
	7256068	B3H111001 & Above	I-U-10	1-5/8	2-3/4	BCK-7135489	31.63
LIFT (Roquet)	7362656, 7275997	ANMP11001 - ANMP11005, AZNE11001 & Above	I-U-10	40 mm	70 mm	BCK-7325324	68.02
	7362656, 7275997	AZND11001 & Above	I-U-10	40 mm	70 mm	BCK-7325324	68.02
	7362656, 7275997	B3H111001 & Above	I-U-10	40 mm	70 mm	BCK-7325324	68.02
	7362656, 7275997	B4TP11001 & Above	I-U-10	40 mm	70 mm	BCK-7325324	68.02
TILT	7338638	ANMN11001 & Above	I-U-10	1-1/2	2-3/4	BCK-7199903	29.89
	7338638	AR9R11001 & Above	I-U-10	1-1/2	2-3/4	BCK-7199903	29.89
TILT (Roquet Field Replacement)	7362657, 7275998	ANMP11001 - ANMP11005, AZNE11001 & Above	I-U-10	40 mm	70 mm	BCK-7325333	58.75
TILT (Roquet)	7362657, 7275998	AZND11001 & Above	I-U-10	40 mm	70 mm	BCK-7325333	58.75
	7362657, 7275998	B3H111001 & Above	I-U-10	40 mm	70 mm	BCK-7325333	58.75
	7362657, 7275998	B4TP11001 & Above	I-U-10	40 mm	70 mm	BCK-7325333	58.75
MODEL S630							
LIFT	7256566	A3NT11001 & Above, A3NU11001 & Above	I-U-10	1-3/4	2-1/2	BCK-7137869	43.10
	7256566	AHGL11001 & Above	I-U-10	1-3/4	2-1/2	BCK-7137869	43.10
LIFT (Cushioned)	7250302	A3NT11001 & Above, A3NU11001 & Above	I-U-10	1-3/4	2-1/2	BCK-7137869	43.10
	7250302	AHGL11001 & Above	I-U-10	1-3/4	2-1/2	BCK-7137869	43.10
	7250302	B2L511001 & Above	I-U-10	1-3/4	2-1/2	BCK-7137869	43.10
TILT (LH w/o Piston Collar)	7222704 (w/ Ø1.50 shaft)	A3NT11001 & Above, A3NU11001 & Above	I-U-10	1-1/2	3	BCK-7225491	38.56
	7222704 (w/ Ø1.62 shaft)	A3NT11001 & Above, A3NU11001 & Above	I-U-10	1-5/8	3	BCK-7202518	44.19
TILT (LH w/Piston Collar)	7235738	A3NT11001 & Above, A3NU11001 & Above	I-U-10	1-1/2	3	BCK-7225491	38.56
TILT (LH)	7150357	A3NT11001 & Above, A3NU11001 & Above	I-U-10	1-5/8	3	BCK-7137939	44.36
	7205266	A3NT11001 & Above, A3NU11001 & Above	I-U-10	1-5/8	3	BCK-7202518	44.19
	7235738	AHGL11001 & Above	I-U-10	1-1/2	3	BCK-7225491	38.56
	7235738	B2L511001 & Above	I-U-10	1-1/2	3	BCK-7225491	38.56
TILT (RH w/o Piston Collar)	7222483 (w/ Ø1.50 shaft)	A3NT11001 & Above, A3NU11001 & Above	I-U-10	1-1/2	3	BCK-7225491	38.56
	7222483 (w/ Ø1.62 shaft)	A3NT11001 & Above, A3NU11001 & Above	I-U-10	1-5/8	3	BCK-7202518	44.19
TILT (RH w/Piston Collar)	7235736	A3NT11001 & Above, A3NU11001 & Above	I-U-10	1-1/2	3	BCK-7225491	38.56
TILT (RH)	7154161	A3NT11001 & Above, A3NU11001 & Above	I-U-10	1-5/8	3	BCK-7137939	44.36
	7205267	A3NT11001 & Above, A3NU11001 & Above	I-U-10	1-5/8	3	BCK-7202518	44.19
	7235736	AHGL11001 & Above	I-U-10	1-1/2	3	BCK-7225491	38.56
	7235736	B2L511001 & Above	I-U-10	1-1/2	3	BCK-7225491	38.56

BOBCAT

Replacement Kits For

BOBCAT

BOBCAT

Loaders - Skid Steer									
APPLICATION		CYL #	SERIAL #	CODE	ROD	BORE	KIT #	List \$	
MODEL	S650								
LIFT		7203496	A3NV11001 & Above, A3NW11001 & Above	I-U-10	1-3/4	3	BCK-7225639	49.72	
		7203496	ALJ811001 & Above	I-U-10	1-3/4	3	BCK-7225639	49.72	
LIFT (Cushion)		7232657	1MLS11001 & Above, 1MLS11001 - 11030	I-U-10	1-3/4	3	BCK-7225639	49.72	
		7232657	A3NV11001 & Above, A3NW11001 & Above	I-U-10	1-3/4	3	BCK-7225639	49.72	
		7232657	ALJ811001 & Above	I-U-10	1-3/4	3	BCK-7225639	49.72	
		7232657	B2LA11001 & Above	I-U-10	1-3/4	3	BCK-7225639	49.72	
		7232657	S1ML11001 & Above	I-U-10	1-3/4	3	BCK-7225639	49.72	
TILT (LH)			A3NV11001 & Above, A3NW11001 & Above	I-U-10	1-1/2	3	BCK-7225491	38.56	
		7205266	A3NV11001 & Above, A3NW11001 & Above	I-U-10	1-5/8	3	BCK-7202518	44.19	
		7235736, 7235738	A3NV11001 & Above, A3NW11001 & Above	I-U-10	1-5/8	3	BCK-7137939	44.36	
		7235738	1MLS11001 & Above, 1MLS11001 - 11030	I-U-10	1-1/2	3	BCK-7225491	38.56	
		7235738	A3NV11001 & Above, A3NW11001 & Above	I-U-10	1-1/2	3	BCK-7225491	38.56	
		7235738	ALJ811001 & Above	I-U-10	1-1/2	3	BCK-7225491	38.56	
		7235738	B2LA11001 & Above	I-U-10	1-1/2	3	BCK-7225491	38.56	
		7235738	S1ML11001 & Above	I-U-10	1-1/2	3	BCK-7225491	38.56	
TILT (RH)			A3NV11001 & Above, A3NW11001 & Above	I-U-10	1-5/8	3	BCK-7202518	44.19	
			A3NV11001 & Above, A3NW11001 & Above	I-U-10	1-1/2	3	BCK-7225491	38.56	
		7235736	1MLS11001 & Above, 1MLS11001 - 11030	I-U-10	1-1/2	3	BCK-7225491	38.56	
		7235736	A3NV11001 & Above, A3NW11001 & Above	I-U-10	1-1/2	3	BCK-7225491	38.56	
		7235736	ALJ811001 & Above	I-U-10	1-1/2	3	BCK-7225491	38.56	
		7235736	B2LA11001 & Above	I-U-10	1-1/2	3	BCK-7225491	38.56	
		7235736	S1ML11001 & Above	I-U-10	1-1/2	3	BCK-7225491	38.56	
		7235736, 7235738	A3NV11001 & Above, A3NW11001 & Above	I-U-10	1-5/8	3	BCK-7137939	44.36	
MODEL	S750								
LIFT		7203494	A3P211001 & Above	I-U-10	1-3/4	3	BCK-7225639	49.72	
		7203494	ATDZ11001 & Above	I-U-10	1-3/4	3	BCK-7225639	49.72	
		7245374	A3P211001 & Above	I-U-10	2	3-1/4	BCK-7161903	85.18	
		7245374	AT5211001 & Above	I-U-10	2	3-1/4	BCK-7161903	85.18	
		7245374	ATDZ11001 & Above	I-U-10	2	3-1/4	BCK-7161903	85.18	
TILT (LH)			A3P211001 & Above	I-U-10	1-5/8	3	BCK-7202518	44.19	
			A3P211001 & Above	I-U-10	1-1/2	3	BCK-7225491	38.56	
			ATDZ11001 & Above	I-U-10	1-1/2	3	BCK-7225491	38.56	
		7235736, 7235738	A3P211001 & Above	I-U-10	1-5/8	3	BCK-7137939	44.36	
		7235738	A3P211001 & Above	I-U-10	1-1/2	3	BCK-7225491	38.56	
		7235738	AT5211001 & Above	I-U-10	1-1/2	3	BCK-7225491	38.56	
		7235738	ATDZ11001 & Above	I-U-10	1-1/2	3	BCK-7225491	38.56	
TILT (RH)			A3P211001 & Above	I-U-10	1-1/2	3	BCK-7225491	38.56	
			A3P211001 & Above	I-U-10	1-5/8	3	BCK-7202518	44.19	
			ATDZ11001 & Above	I-U-10	1-1/2	3	BCK-7225491	38.56	
		7205267	ATDZ11001 & Above	I-U-10	1-5/8	3	BCK-7202518	44.19	
		7235736	A3P211001 & Above	I-U-10	1-1/2	3	BCK-7225491	38.56	
		7235736	AT5211001 & Above	I-U-10	1-1/2	3	BCK-7225491	38.56	
		7235736	ATDZ11001 & Above	I-U-10	1-1/2	3	BCK-7225491	38.56	

Replacement Kits For

BOBCAT

Loaders - Skid Steer							
APPLICATION	CYL #	SERIAL #	CODE	ROD	BORE	KIT #	List \$
MODEL S750							
TILT (RH)	7235736, 7235738	A3P211001 & Above	I-U-10	1-5/8	3	BCK-7137939	44.36
MODEL S770							
LIFT	7203494	A3P411001 & Above, A3P511001 & Above	I-U-10	1-3/4	3	BCK-7225639	49.72
	7203494	ASRV11001 & Above	I-U-10	1-3/4	3	BCK-7225639	49.72
	7203494	ATF211001 & Above, ATF311001 & Above	I-U-10	1-3/4	3	BCK-7225639	49.72
	7245374	A3P411001 & Above, A3P511001 & Above	I-U-10	2	3-1/4	BCK-7161903	85.18
	7245374	ASRV11001 & Above	I-U-10	2	3-1/4	BCK-7161903	85.18
	7245374	AT5A11001 & Above	I-U-10	2	3-1/4	BCK-7161903	85.18
	7245374	ATF211001 & Above, ATF311001 & Above	I-U-10	2	3-1/4	BCK-7161903	85.18
	7245374	B3BV11001 & Above	I-U-10	2	3-1/4	BCK-7161903	85.18
TILT	7235738	B3BV11001 & Above	I-U-10	1-1/2	3	BCK-7225491	38.56
TILT (LH w/o Piston Collar)	7222704 (w/ Ø1.50 shaft)	A3P411001 & Above, A3P511001 & Above	I-U-10	1-1/2	3	BCK-7225491	38.56
	7222704 (w/ Ø1.50 shaft)	ASRV11001 & Above	I-U-10	1-1/2	3	BCK-7225491	38.56
	7222704 (w/ Ø1.50 shaft)	ATF211001 & Above, ATF311001 & Above	I-U-10	1-1/2	3	BCK-7225491	38.56
	7222704 (w/ Ø1.62 shaft)	A3P411001 & Above, A3P511001 & Above	I-U-10	1-5/8	3	BCK-7202518	44.19
	7222704 (w/ Ø1.62 shaft)	ASRV11001 & Above	I-U-10	1-5/8	3	BCK-7202518	44.19
	7222704 (w/ Ø1.62 shaft)	ATF211001 & Above, ATF311001 & Above	I-U-10	1-5/8	3	BCK-7202518	44.19
TILT (LH w/Piston Collar)	7235738	A3P411001 & Above, A3P511001 & Above	I-U-10	1-1/2	3	BCK-7225491	38.56
	7235738	ASRV11001 & Above	I-U-10	1-1/2	3	BCK-7225491	38.56
	7235738	ATF211001 & Above, ATF311001 & Above	I-U-10	1-1/2	3	BCK-7225491	38.56
	7367893	A3P411001 & Above, A3P511001 & Above	I-U-10	1-1/2	3	BCK-7225491	38.56
	7367893	ASRV11001 & Above	I-U-10	1-1/2	3	BCK-7225491	38.56
	7367893	ATF211001 & Above, ATF311001 & Above	I-U-10	1-1/2	3	BCK-7225491	38.56
TILT (LH)	7150357	A3P411001 & Above, A3P511001 & Above	I-U-10	1-5/8	3	BCK-7137939	44.36
	7205266	A3P411001 & Above, A3P511001 & Above	I-U-10	1-5/8	3	BCK-7202518	44.19
	7205266	ASRV11001 & Above	I-U-10	1-5/8	3	BCK-7202518	44.19
	7205266	ATF211001 & Above, ATF311001 & Above	I-U-10	1-5/8	3	BCK-7202518	44.19
	7235738	AT5A11001 & Above	I-U-10	1-1/2	3	BCK-7225491	38.56
	7367893	AT5A11001 & Above	I-U-10	1-1/2	3	BCK-7225491	38.56
	7367893	B3BV11001 & Above	I-U-10	1-1/2	3	BCK-7225491	38.56
TILT (RH w/o Piston Collar)	7222483 (w/ Ø1.50 shaft)	A3P411001 & Above, A3P511001 & Above	I-U-10	1-1/2	3	BCK-7225491	38.56
	7222483 (w/ Ø1.50 shaft)	ASRV11001 & Above	I-U-10	1-1/2	3	BCK-7225491	38.56
	7222483 (w/ Ø1.50 shaft)	ATF211001 & Above, ATF311001 & Above	I-U-10	1-1/2	3	BCK-7225491	38.56
	7222483 (w/ Ø1.62 shaft)	A3P411001 & Above, A3P511001 & Above	I-U-10	1-5/8	3	BCK-7202518	44.19
	7222483 (w/ Ø1.62 shaft)	ASRV11001 & Above	I-U-10	1-5/8	3	BCK-7202518	44.19
	7222483 (w/ Ø1.62 shaft)	ATF211001 & Above, ATF311001 & Above	I-U-10	1-5/8	3	BCK-7202518	44.19

BOBCAT

Replacement Kits For

BOBCAT

Loaders - Skid Steer							
APPLICATION	CYL #	SERIAL #	CODE	ROD	BORE	KIT #	List \$
MODEL S770							
TILT (RH w/Piston Collar)	7235736	A3P411001 & Above, A3P511001 & Above	I-U-10	1-1/2	3	BCK-7225491	38.56
	7235736	ASRV11001 & Above	I-U-10	1-1/2	3	BCK-7225491	38.56
	7235736	ATF211001 & Above, ATF311001 & Above	I-U-10	1-1/2	3	BCK-7225491	38.56
	7367892	A3P411001 & Above, A3P511001 & Above	I-U-10	1-1/2	3	BCK-7225491	38.56
	7367892	ASRV11001 & Above	I-U-10	1-1/2	3	BCK-7225491	38.56
	7367892	ATF211001 & Above, ATF311001 & Above	I-U-10	1-1/2	3	BCK-7225491	38.56
TILT (RH)	7154161	A3P411001 & Above, A3P511001 & Above	I-U-10	1-5/8	3	BCK-7137939	44.36
	7205267	A3P411001 & Above, A3P511001 & Above	I-U-10	1-5/8	3	BCK-7202518	44.19
	7205267	ASRV11001 & Above	I-U-10	1-5/8	3	BCK-7202518	44.19
	7205267	ATF211001 & Above, ATF311001 & Above	I-U-10	1-5/8	3	BCK-7202518	44.19
	7235736	AT5A11001 & Above	I-U-10	1-1/2	3	BCK-7225491	38.56
	7235736	B3BV11001 & Above	I-U-10	1-1/2	3	BCK-7225491	38.56
	7367892	AT5A11001 & Above	I-U-10	1-1/2	3	BCK-7225491	38.56
	7367892	B3BV11001 & Above	I-U-10	1-1/2	3	BCK-7225491	38.56
Loaders - Track Skid Steer							
APPLICATION	CYL #	SERIAL #	CODE	ROD	BORE	KIT #	List \$
MODEL T180							
LIFT	6811994	524211001 & Above, 527511001 & Above, 527611001 & Above	I-U-10	1-1/2	2-1/4	BCK-7135557	44.82
	6811994	531411001 & Above, 531511001 & Above	I-U-10	1-1/2	2-1/4	BCK-7135557	44.82
	6811994	A3LL11001 & Above	I-U-10	1-1/2	2-1/4	BCK-7135557	44.82
TILT	7117174	524211001 & Above, 527511001 & Above, 527611001 & Above	I-U-10	1-3/8	2-3/4	BCK-6806330	40.56
	7117174	531411001 & Above, 531511001 & Above	I-U-10	1-3/8	2-3/4	BCK-6806330	40.56
	7117174	A3LL11001 & Above	I-U-10	1-3/8	2-3/4	BCK-6806330	40.56
MODEL T190							
LIFT	7117667	519311001 & Above, 519411001 & Above, 527011001 & Above, 527911001 & Above	I-U-10	1-1/2	2-1/2	BCK-7135559	44.49
	7117667	527711001 & Above, 527811001 & Above	I-U-10	1-1/2	2-1/2	BCK-7135559	44.49
	7117667	531611001 & Above, 531711001 & Above	I-U-10	1-1/2	2-1/2	BCK-7135559	44.49
	7117667	A3LN11001 & Above, A3LP11001 & Above	I-U-10	1-1/2	2-1/2	BCK-7135559	44.49
TILT	7117174	519311001 & Above, 519411001 & Above, 527011001 & Above, 527911001 & Above	I-U-10	1-3/8	2-3/4	BCK-6806330	40.56
	7117174	527711001 & Above, 527811001 & Above	I-U-10	1-3/8	2-3/4	BCK-6806330	40.56
	7117174	531611001 & Above, 531711001 & Above	I-U-10	1-3/8	2-3/4	BCK-6806330	40.56
	7117174	A3LN11001 & Above, A3LP11001 & Above	I-U-10	1-3/8	2-3/4	BCK-6806330	40.56

BOBCAT

Replacement Kits For

BOBCAT

Loaders - Track Skid Steer							
APPLICATION	CYL #	SERIAL #	CODE	ROD	BORE	KIT #	List \$
MODEL T250							
LIFT	6815757	523011001 & Above, 523111001 & Above, 525611001 & Above, 525711001 & Above	I-U-10	1-3/4	2-1/2	BCK-7137865	31.93
	6815757	531811001 & Above, 531911001 & Above	I-U-10	1-3/4	2-1/2	BCK-7137865	31.93
	6815757	A5GS11001 & Above, A5GT11001 & Above	I-U-10	1-3/4	2-1/2	BCK-7137865	31.93
TILT	7208419	523011001 & Above, 523111001 & Above, 525611001 & Above, 525711001 & Above	I-U-10	1-1/2	3	BCK-7135547	44.48
	7208419	531811001 & Above, 531911001 & Above	I-U-10	1-1/2	3	BCK-7135547	44.48
	7208419	A5GS11001 & Above, A5GT11001 & Above	I-U-10	1-1/2	3	BCK-7135547	44.48
MODEL T300							
LIFT	6817310	521911001 & Above, 522011001 & Above, 525411001 & Above, 525511001 & Above	I-U-10	1-5/8	3	BCK-7137939	44.36
	7106456	532011001 & Above, 532111001 & Above	I-U-10	1-5/8	3	BCK-7137939	44.36
	7106456	A5GU11001 & Above, A5GV11001 & Above	I-U-10	1-5/8	3	BCK-7137939	44.36
TILT	7208419	521911001 & Above, 522011001 & Above, 525411001 & Above, 525511001 & Above	I-U-10	1-1/2	3	BCK-7135547	44.48
	7208419	532011001 & Above, 532111001 & Above	I-U-10	1-1/2	3	BCK-7135547	44.48
	7208419	A5GU11001 & Above, A5GV11001 & Above	I-U-10	1-1/2	3	BCK-7135547	44.48
MODEL T320							
LIFT	7106456	A7MP11001 & Above, AAKZ11001 & Above	I-U-10	1-5/8	3	BCK-7137939	44.36
TILT	7208419	A7MP11001 & Above, AAKZ11001 & Above	I-U-10	1-1/2	3	BCK-7135547	44.48
MODEL T550							
LIFT	7152121	A7UJ11001 & Above	I-U-10	1-1/2	2-1/4	BCK-7135557	44.82
	7152121	AJZV11001 & Above	I-U-10	1-1/2	2-1/4	BCK-7135557	44.82
LIFT (Cushion)	7323801	A7UJ11001 & Above	I-U-10	1-1/2	2-1/4	BCK-7135557	44.82
	7323801	AJZV11001 & Above	I-U-10	1-1/2	2-1/4	BCK-7135557	44.82
TILT	7338638	A7UJ11001 & Above	I-U-10	1-1/2	2-3/4	BCK-7199903	29.89
	7338638	AJZV11001 & Above	I-U-10	1-1/2	2-3/4	BCK-7199903	29.89
MODEL T590							
LIFT	7152266	A3NR11001 & Above	I-U-10	1-5/8	2-3/4	BCK-7135489	31.63
	7152266	A3NS11001 & Above	I-U-10	1-5/8	2-3/4	BCK-7135489	31.63
	7152266	ALJU11001 & Above	I-U-10	1-5/8	2-3/4	BCK-7135489	31.63
	7152266	B37811001 & Above	I-U-10	1-5/8	2-3/4	BCK-7135489	31.63
LIFT (Cushion)	7256068	A3NR11001 & Above	I-U-10	1-5/8	2-3/4	BCK-7135489	31.63
	7256068	A3NS11001 & Above	I-U-10	1-5/8	2-3/4	BCK-7135489	31.63
	7256068	ALJU11001 & Above	I-U-10	1-5/8	2-3/4	BCK-7135489	31.63
	7256068	B37811001 & Above	I-U-10	1-5/8	2-3/4	BCK-7135489	31.63
	7256068	B3Z711001 & Above	I-U-10	1-5/8	2-3/4	BCK-7135489	31.63
	7256068	B3ZA11001 & Above	I-U-10	1-5/8	2-3/4	BCK-7135489	31.63
LIFT (Roquet)	7275997	B3Z711001 & Above	I-U-10	40 mm	70 mm	BCK-7325324	68.02
	7275997	B3ZA11001 & Above	I-U-10	40 mm	70 mm	BCK-7325324	68.02
TILT		A3NR11001 & Above	I-U-10	1-1/2	2-3/4	BCK-7199903	29.89
		A3NS11001 & Above	I-U-10	1-1/2	2-3/4	BCK-7199903	29.89

BOBCAT

BOBCAT

Replacement Kits For

Loaders - Track Skid Steer							
APPLICATION	CYL #	SERIAL #	CODE	ROD	BORE	KIT #	List \$
MODEL T590							
TILT		B37811001 & Above	I-U-10	1-1/2	2-3/4	BCK-7199903	29.89
		B3Z711001 & Above	I-U-10	1-1/2	2-3/4	BCK-7199903	29.89
		B3ZA11001 & Above	I-U-10	1-1/2	2-3/4	BCK-7199903	29.89
	7338638	A3NR11001 & Above	I-U-10	1-1/2	2-3/4	BCK-7199903	29.89
	7338638	A3NS11001 & Above	I-U-10	1-1/2	2-3/4	BCK-7199903	29.89
	7338638	ALJU11001 & Above	I-U-10	1-1/2	2-3/4	BCK-7199903	29.89
	7338638	B37811001 & Above	I-U-10	1-1/2	2-3/4	BCK-7199903	29.89
TILT (Roquet)	7275998	B3Z711001 & Above	I-U-10	40 mm	70 mm	BCK-7325333	58.75
	7275998	B3ZA11001 & Above	I-U-10	40 mm	70 mm	BCK-7325333	58.75
MODEL T630							
LIFT	7256566	A7PU11001 & Above	I-U-10	1-3/4	2-1/2	BCK-7137869	43.10
	7256566	AJDT11001 & Above	I-U-10	1-3/4	2-1/2	BCK-7137869	43.10
LIFT (Cushion)	7250302	A7PU11001 & Above	I-U-10	1-3/4	2-1/2	BCK-7137869	43.10
	7250302	AJDT11001 & Above	I-U-10	1-3/4	2-1/2	BCK-7137869	43.10
TILT (LH w/o Piston Collar)	7222704 (w/ Ø1.50 shaft)	A7PU11001 & Above	I-U-10	1-1/2	3	BCK-7225491	38.56
	7222704 (w/ Ø1.62 shaft)	A7PU11001 & Above	I-U-10	1-5/8	3	BCK-7202518	44.19
TILT (LH w/Piston Collar)	7235738	A7PU11001 & Above	I-U-10	1-1/2	3	BCK-7225491	38.56
	7367893	A7PU11001 & Above	I-U-10	1-1/2	3	BCK-7225491	38.56
TILT (LH)	7150357	A7PU11001 & Above	I-U-10	1-5/8	3	BCK-7137939	44.36
	7205266	A7PU11001 & Above	I-U-10	1-5/8	3	BCK-7202518	44.19
	7235738	AJDT11001 & Above	I-U-10	1-1/2	3	BCK-7225491	38.56
	7367893	AJDT11001 & Above	I-U-10	1-1/2	3	BCK-7225491	38.56
TILT (RH w/o Piston Collar)	7222483 (w/ Ø1.50 shaft)	A7PU11001 & Above	I-U-10	1-1/2	3	BCK-7225491	38.56
	7222483 (w/ Ø1.62 shaft)	A7PU11001 & Above	I-U-10	1-5/8	3	BCK-7202518	44.19
TILT (RH w/Piston Collar)	7235736	A7PU11001 & Above	I-U-10	1-1/2	3	BCK-7225491	38.56
	7367892	A7PU11001 & Above	I-U-10	1-1/2	3	BCK-7225491	38.56
TILT (RH)	7154161	A7PU11001 & Above	I-U-10	1-5/8	3	BCK-7137939	44.36
	7205267	A7PU11001 & Above	I-U-10	1-5/8	3	BCK-7202518	44.19
	7235736	AJDT11001 & Above	I-U-10	1-1/2	3	BCK-7225491	38.56
	7367892	AJDT11001 & Above	I-U-10	1-1/2	3	BCK-7225491	38.56
MODEL T650							
LIFT	7203496	A3P011001 & Above, A3P111001 & Above	I-U-10	1-3/4	3	BCK-7225639	49.72
	7203496	ALJG11001 & Above	I-U-10	1-3/4	3	BCK-7225639	49.72
LIFT (Cushion)	7232657	1MLT11001 & Above, 1MLT11001-11010	I-U-10	1-3/4	3	BCK-7225639	49.72
	7232657	A3P011001 & Above, A3P111001 & Above	I-U-10	1-3/4	3	BCK-7225639	49.72
	7232657	ALJG11001 & Above	I-U-10	1-3/4	3	BCK-7225639	49.72
	7232657	B2KZ11001 & Above	I-U-10	1-3/4	3	BCK-7225639	49.72
	7232657	T1ML11001 & Above	I-U-10	1-3/4	3	BCK-7225639	49.72
TILT (LH)		A3P011001 & Above, A3P111001 & Above	I-U-10	1-1/2	3	BCK-7225491	38.56
	7205266	A3P011001 & Above, A3P111001 & Above	I-U-10	1-5/8	3	BCK-7202518	44.19
	7235736, 7235738	A3P011001 & Above, A3P111001 & Above	I-U-10	1-5/8	3	BCK-7137939	44.36
	7235738	1MLT11001 & Above, 1MLT11001-11010	I-U-10	1-1/2	3	BCK-7225491	38.56
	7235738	A3P011001 & Above, A3P111001 & Above	I-U-10	1-1/2	3	BCK-7225491	38.56
	7235738	ALJG11001 & Above	I-U-10	1-1/2	3	BCK-7225491	38.56
	7235738	B2KZ11001 & Above	I-U-10	1-1/2	3	BCK-7225491	38.56

BOBCAT

Replacement Kits For

BOBCAT

Loaders - Track Skid Steer

APPLICATION	CYL #	SERIAL #	CODE	ROD	BORE	KIT #	List \$
MODEL T650							
TILT (LH)	7235738	T1ML11001 & Above	I-U-10	1-1/2	3	BCK-7225491	38.56
TILT (RH)		A3P011001 & Above, A3P111001 & Above	I-U-10	1-1/2	3	BCK-7225491	38.56
	7205267	A3P011001 & Above, A3P111001 & Above	I-U-10	1-5/8	3	BCK-7202518	44.19
	7235736	1MLT11001 & Above, 1MLT11001-11010	I-U-10	1-1/2	3	BCK-7225491	38.56
	7235736	A3P011001 & Above, A3P111001 & Above	I-U-10	1-1/2	3	BCK-7225491	38.56
	7235736	ALJG11001 & Above	I-U-10	1-1/2	3	BCK-7225491	38.56
	7235736	B2KZ11001 & Above	I-U-10	1-1/2	3	BCK-7225491	38.56
	7235736	T1ML11001 & Above	I-U-10	1-1/2	3	BCK-7225491	38.56
	7235736, 7235738	A3P011001 & Above, A3P111001 & Above	I-U-10	1-5/8	3	BCK-7137939	44.36
	MODEL T750						
LIFT	7203494	ANKA11001 & Above	I-U-10	1-3/4	3	BCK-7225639	49.72
	7203494	ATF611001 & Above	I-U-10	1-3/4	3	BCK-7225639	49.72
	7245374	ANKA11001 & Above	I-U-10	2	3-1/4	BCK-7161903	85.18
	7245374	AT5T11001 & Above	I-U-10	2	3-1/4	BCK-7161903	85.18
	7245374	ATF611001 & Above	I-U-10	2	3-1/4	BCK-7161903	85.18
TILT (LH)		ANKA11001 & Above	I-U-10	1-1/2	3	BCK-7225491	38.56
		ATF611001 & Above	I-U-10	1-5/8	3	BCK-7202518	44.19
		ATF611001 & Above	I-U-10	1-1/2	3	BCK-7225491	38.56
	7205266	ANKA11001 & Above	I-U-10	1-5/8	3	BCK-7202518	44.19
	7235736, 7235738	ANKA11001 & Above	I-U-10	1-5/8	3	BCK-7137939	44.36
	7235738	ANKA11001 & Above	I-U-10	1-1/2	3	BCK-7225491	38.56
	7235738	AT5T11001 & Above	I-U-10	1-1/2	3	BCK-7225491	38.56
	7235738	ATF611001 & Above	I-U-10	1-1/2	3	BCK-7225491	38.56
		ANKA11001 & Above	I-U-10	1-1/2	3	BCK-7225491	38.56
TILT (RH)		ANKA11001 & Above	I-U-10	1-1/2	3	BCK-7225491	38.56
		ATF611001 & Above	I-U-10	1-1/2	3	BCK-7225491	38.56
	7205267	ANKA11001 & Above	I-U-10	1-5/8	3	BCK-7202518	44.19
	7205267	ATF611001 & Above	I-U-10	1-5/8	3	BCK-7202518	44.19
	7235736	ANKA11001 & Above	I-U-10	1-1/2	3	BCK-7225491	38.56
	7235736	AT5T11001 & Above	I-U-10	1-1/2	3	BCK-7225491	38.56
	7235736	ATF611001 & Above	I-U-10	1-1/2	3	BCK-7225491	38.56
	7235736, 7235738	ANKA11001 & Above	I-U-10	1-5/8	3	BCK-7137939	44.36
		ANKA11001 & Above	I-U-10	1-1/2	3	BCK-7225491	38.56
MODEL T770							
LIFT	7203494	A3P811001 & Above, A3P911001 & Above	I-U-10	1-3/4	3	BCK-7225639	49.72
	7203494	AN8T11001 & Above, ATF711001 & Above	I-U-10	1-3/4	3	BCK-7225639	49.72
	7203494	AUYB11001 & Above	I-U-10	1-3/4	3	BCK-7225639	49.72
	7245374	A3P811001 & Above, A3P911001 & Above	I-U-10	2	3-1/4	BCK-7161903	85.18
	7245374	AN8T11001 & Above, ATF711001 & Above	I-U-10	2	3-1/4	BCK-7161903	85.18
	7245374	AT6311001 & Above	I-U-10	2	3-1/4	BCK-7161903	85.18
	7245374	B3BW11001 & Above	I-U-10	2	3-1/4	BCK-7161903	85.18
TILT (LH)		A3P811001 & Above, A3P911001 & Above	I-U-10	1-1/2	3	BCK-7225491	38.56
		A3P811001 & Above, A3P911001 & Above	I-U-10	1-5/8	3	BCK-7137939	44.36
		AN8T11001 & Above, ATF711001 & Above	I-U-10	1-5/8	3	BCK-7202518	44.19
		AN8T11001 & Above, ATF711001 & Above	I-U-10	1-1/2	3	BCK-7225491	38.56

BOBCAT

Replacement Kits For

BOBCAT

Loaders - Track Skid Steer

APPLICATION	CYL #	SERIAL #	CODE	ROD	BORE	KIT #	List \$	
MODEL T770								
TILT (LH)		AUYB11001 & Above	I-U-10	1-5/8	3	BCK-7202518	44.19	
		AUYB11001 & Above	I-U-10	1-1/2	3	BCK-7225491	38.56	
	7205266	A3P811001 & Above, A3P911001 & Above	I-U-10	1-5/8	3	BCK-7202518	44.19	
	7235738	A3P811001 & Above, A3P911001 & Above	I-U-10	1-1/2	3	BCK-7225491	38.56	
	7235738	AN8T11001 & Above, ATF711001 & Above	I-U-10	1-1/2	3	BCK-7225491	38.56	
	7235738	AT6311001 & Above	I-U-10	1-1/2	3	BCK-7225491	38.56	
	7235738	AUYB11001 & Above	I-U-10	1-1/2	3	BCK-7225491	38.56	
	7235738	B3BW11001 & Above	I-U-10	1-1/2	3	BCK-7225491	38.56	
	TILT (RH)		A3P811001 & Above, A3P911001 & Above	I-U-10	1-5/8	3	BCK-7137939	44.36
			A3P811001 & Above, A3P911001 & Above	I-U-10	1-1/2	3	BCK-7225491	38.56
		AN8T11001 & Above, ATF711001 & Above	I-U-10	1-1/2	3	BCK-7225491	38.56	
		AUYB11001 & Above	I-U-10	1-5/8	3	BCK-7202518	44.19	
		AUYB11001 & Above	I-U-10	1-1/2	3	BCK-7225491	38.56	
7205267		A3P811001 & Above, A3P911001 & Above	I-U-10	1-5/8	3	BCK-7202518	44.19	
7205267		AN8T11001 & Above, ATF711001 & Above	I-U-10	1-5/8	3	BCK-7202518	44.19	
7235736		A3P811001 & Above, A3P911001 & Above	I-U-10	1-1/2	3	BCK-7225491	38.56	
7235736		AN8T11001 & Above, ATF711001 & Above	I-U-10	1-1/2	3	BCK-7225491	38.56	
7235736		AT6311001 & Above	I-U-10	1-1/2	3	BCK-7225491	38.56	
7235736		AUYB11001 & Above	I-U-10	1-1/2	3	BCK-7225491	38.56	
7235736		B3BW11001 & Above	I-U-10	1-1/2	3	BCK-7225491	38.56	
MODEL T870								
LIFT		7205198	A3PG11001 & Above, A3PH11001 & Above	I-U-10	2	3-1/2	BCK-7196902	77.59
	7205198	AN8L11001 & Above, ATF811001 & Above	I-U-10	2	3-1/2	BCK-7196902	77.59	
	7221447	ASWT11001 & Above	I-U-10	2	3-1/2	BCK-7196902	77.59	
	7221447	B3BZ11001 & Above	I-U-10	2	3-1/2	BCK-7196902	77.59	
	7221447	B47C11001 & Above	I-U-10	2	3-1/2	BCK-7196902	77.59	
	7221447	B47H11001 & Above	I-U-10	2	3-1/2	BCK-7196902	77.59	
	7221447	B47L11001 & Above	I-U-10	2	3-1/2	BCK-7196902	77.59	
	7296806	A3PG11001 & Above, A3PH11001 & Above	I-U-10	2	3-1/2	BCK-7196902	77.59	
	7296806	ASWT11001 & Above	I-U-10	2	3-1/2	BCK-7196902	77.59	
	7296806	B3BZ11001 & Above	I-U-10	2	3-1/2	BCK-7196902	77.59	
	7296806	B47C11001 & Above	I-U-10	2	3-1/2	BCK-7196902	77.59	
	7296806	B47H11001 & Above	I-U-10	2	3-1/2	BCK-7196902	77.59	
	7296806	B47L11001 & Above	I-U-10	2	3-1/2	BCK-7196902	77.59	
	TILT (LH w/o Piston Collar)	7202348	A3PG11001 & Above, A3PH11001 & Above	I-U-10	1-1/2	3-1/4	BCK-7190632	97.05
7202348		AN8L11001 & Above, ATF811001 & Above	I-U-10	1-1/2	3-1/4	BCK-7190632	97.05	
TILT (LH w/Piston Collar)	7236322	A3PG11001 & Above, A3PH11001 & Above	I-U-10	1-1/2	3-1/4	BCK-7190632	97.05	
	7236322	AN8L11001 & Above, ATF811001 & Above	I-U-10	1-1/2	3-1/4	BCK-7190632	97.05	
TILT (LH)	7150098	A3PG11001 & Above, A3PH11001 & Above	I-U-10	1-1/2	3-1/4	BCK-7190632	97.05	
	7236322	ASWT11001 & Above	I-U-10	1-1/2	3-1/4	BCK-7190632	97.05	
	7236322	B3BZ11001 & Above	I-U-10	1-1/2	3-1/4	BCK-7190632	97.05	

BOBCAT

Replacement Kits For

BOBCAT

Loaders - Track Skid Steer							
APPLICATION	CYL #	SERIAL #	CODE	ROD	BORE	KIT #	List \$
MODEL T870							
TILT (LH)	7236322	B47C11001 & Above	I-U-10	1-1/2	3-1/4	BCK-7190632	97.05
	7236322	B47H11001 & Above	I-U-10	1-1/2	3-1/4	BCK-7190632	97.05
	7236322	B47L11001 & Above	I-U-10	1-1/2	3-1/4	BCK-7190632	97.05
TILT (RH w/o Piston Collar)	7202349	A3PG11001 & Above, A3PH11001 & Above	I-U-10	1-1/2	3-1/4	BCK-7190632	97.05
	7202349	AN8L11001 & Above, ATF811001 & Above	I-U-10	1-1/2	3-1/4	BCK-7190632	97.05
TILT (RH w/Piston Collar)	7236392	A3PG11001 & Above, A3PH11001 & Above	I-U-10	1-1/2	3-1/4	BCK-7190632	97.05
	7236392	AN8L11001 & Above, ATF811001 & Above	I-U-10	1-1/2	3-1/4	BCK-7190632	97.05
TILT (RH)	7138356	A3PG11001 & Above, A3PH11001 & Above	I-U-10	1-1/2	3-1/4	BCK-7190632	97.05
	7236392	ASWT11001 & Above	I-U-10	1-1/2	3-1/4	BCK-7190632	97.05
	7236392	B3BZ11001 & Above	I-U-10	1-1/2	3-1/4	BCK-7190632	97.05
	7236392	B47C11001 & Above	I-U-10	1-1/2	3-1/4	BCK-7190632	97.05
	7236392	B47H11001 & Above	I-U-10	1-1/2	3-1/4	BCK-7190632	97.05
	7236392	B47L11001 & Above	I-U-10	1-1/2	3-1/4	BCK-7190632	97.05
Loaders - Wheel							
APPLICATION	CYL #	SERIAL #	CODE	ROD	BORE	KIT #	List \$
MODEL 1600							
LIFT			I-U-10	2	3-1/2	BCK-6588059	54.30
MODEL 2400, 2410							
LOADER LIFT			I-U-10	1-3/4	3	BCK-6804603	46.54
LOADER TILT			I-U-10	1-1/2	2-3/4	BCK-6589796	30.58
STEERING			I-U-10	1-1/4	2-3/4	BCK-6661296	19.31

BOBCAT

BOBCAT REPLACEMENT CYLINDERS

Hercules Now Offers Bobcat Replacement Cylinders!



Benefits include:

Hercules net price - Up to 50% off OEM price! • Made in the USA
 Hercules warranty* 18 months versus OEM 12 month warranty • In-stock, same day shipment
 Reduce customer downtime by replacing versus repairing cylinders • High performance Freudenberg-NOK AU30000 Seal rated for 250 degrees F and up to 7250 psi; resulting in extended seal life • Cast iron steel gland with buttress threads versus aluminum OEM gland means less galled or damage threads • Hardened chrome rod which is less susceptible to bending • In-stock Hercules Bobcat seal kits available

Features include:

Hard chrome plated rod • Cast iron piston • Cast iron gland with buttress threads • Pressure rated 3000 - 3500 psi • SAE and JIC flared ports
 Grease ports on both pin eyes • Standard color is charcoal gray

CYLINDER #	APPLICATION	MODELS	ROD	BORE	STROKE	PIN TO PIN	
BCK-7117174	Bucket Tilt	773, S150, S160, S175, S185, S205, T180, T190	1-3/8	2-3/4	13-1/8	21-1/4	\$814.68
BCK-7208419	Bucket Tilt	S220, S250, S300, S330, T250, T300, T320	1-1/2	3	15	24	807.84
BCK-7191555	Boom	E32, E32i, E35, E35i	1-3/4	3	26-3/8	37-5/8	1,035.87
BCK-7117667	Lift	773, S175, S185, S205, T190	1-1/2	2-1/2	23-13/16	33-3/8	973.02
BCK-7106456 (6817310)	Lift	S250, S300, T300, A300	1-5/8	3	25-1/2	38-3/8	1,066.09
BCK-7175388 (6810611)	Attachment	S100, S130, S150, S160, S175, S185, S205, 220, S250, S300, S330, T110, T140, T180, T190, T200, T250, T300, T320, 773	1	1-3/4	6-3/4	26-3/8	562.06
BCK-7235736	Bucket Tilt - Right	S630, S650, S750, S770, T630, T650, T750, T770	1-1/2	3	13-5/8	23-1/2	912.59
BCK-7235738	Bucket Tilt - Left	S630, S650, S750, S770, T630, T650, T750, T770	1-1/2	3	13-5/8	23-1/2	912.59
BCK-7338638 (7151185)	Bucket Tilt	S160, S530, S570, S590, T590	1-1/2	2-3/4	12-7/8	13-3/4	753.84
BCK-7152266	Lift	S530, S570, S590, T590	1-5/8"	2-3/4	21-1/8	32-5/8	898.07
BCK-7256068	Cushioned Boom	S530, S570, S590, T590	1-5/8"	2-3/4	21-1/8	32-5/8	898.07
BCK-7367892	Bucket Tilt - Right	S630, S750, S770, T630, T750, T770	1-1/2"	3"	13-3/4"	23-1/2"	927.78
BCK-7367893	Bucket Tilt - Left	S630, S750, S770, T630, T750, T770	1-1/2"	3"	13-3/4"	23-1/2"	927.78
BCK-7245374	Lift	S750, S770, T750, T770	2"	3-1/4"	26"	36-1/2"	1085.00
BCK-7199435	Thumb	325, 328, 331, 334	1-1/4"	2-1/4"	15"	23"	627.73
BCK-7250302	Lift	S630, T630	1-3/4"	2-1/2	31-3/16	53-3/16	904.38

CYLINDER #	SEAL KIT #	ROD	BORE	LIST PRICE
BCK-7117174	BCK-6806330	1-3/8	2-3/4	\$40.56
BCK-7208419	BCK-7135547	1-1/2	3	44.48
BCK-7191555	BCK-7197632	1-3/4	3	61.49
BCK-7117667	BCK-7135559	1-1/2	2-1/2	44.49
BCK-7106456 (6817310)	BCK-7137939	1-5/8	3	44.36
BCK-7175388 (6810611)	BCK-7138014	1	1-3/4	24.77
BCK-7250302	BCK-7137869	1-3/4	2-1/2	43.10

CYLINDER #	SEAL KIT #	ROD	BORE	LIST PRICE
BCK-7235736	BCK-7225491	1-1/2	3	\$38.56
BCK-7235738	BCK-7225491	1-1/2	3	38.56
BCK-7338638	BCK-7199903	1-1/2	2-3/4	29.89
BCK-7152266	BCK-7135489	1-5/8	2-3/4	31.63
BCK-7256068	BCK-7135489	1-5/8	2-3/4	31.63
BCK-7367892	BCK-7225491	1-1/2"	3"	38.56
BCK-7367893	BCK-7225491	1-1/2"	3"	38.56
BCK-7245374	BCK-7161903	2"	3-1/4"	85.18
BCK-7199435	BCK-7137786	1-1/4"	2-1/4"	77.64

Also available in the Hercules Cylinder and Repair Parts Catalog.

BOBCAT (MELROE)

BOBCAT

Kit Number	Code (Pg. xiv)	Rod X Bore Size	List Price
BCK-6504945	P-O-2	1 X 1-7/8	\$6.75
BCK-6504959	I-U-10	1-1/4 X 2	14.92
BCK-6504960	I-U-10	1 X 2	13.91
BCK-6504961	P-O-2	1 X 2	6.85
BCK-6505849	P-V-8	1-1/8 X 2	36.07
BCK-6505850	P-V-8	1 X 2	31.70
BCK-6509052	I-U-10	1-1/2 X 3	27.34
BCK-6509053	I-V-10	2 X 3-1/2	25.99
BCK-6509122	I-U-10,12	2 X4	63.92
BCK-6509123	I-U-10,12	2-1/2 X 4	71.30
BCK-6509124	I-U-10,12	2 X 3-1/2	45.22
BCK-6511216	I-U-10	2-1/2 X 5	42.61
BCK-6511620	# 174 ACCUMULATOR		14.44
BCK-6512049	P-U-10	1-1/4 X 2-1/2	43.77
BCK-6512891	I-U-10	1-1/2 X 3	21.53
BCK-6514736	P-U-10	1-1/2 X 3-1/4	28.71
BCK-6515452	P-OB-3	1-1/2 X 3	15.05
BCK-6515459	P-O-1	2-3/4 ROD	22.85
BCK-6518500	O-RINGS		6.62
BCK-6519428	P-UB-9	2 X 4	71.33
BCK-6529691	I-U-10	1-1/2 X 3-1/4	25.68
BCK-6529991	I-U-10	1-1/2 X 2-3/4	19.38
BCK-6530345	I-U-10	1-1/2 X 3	39.13
BCK-6536322	I-U-10	1-3/4 X 2-3/8	29.22
BCK-6536671	I-U-10	1-3/4 X 2-3/8	29.22
BCK-6537299	I-U-10	2 X 3-1/4	55.89
BCK-6537322	I-U-10	1-1/4 X 2	26.95
BCK-6537361	I-U-10	1-3/4 X 3-1/4	27.46
BCK-6537565	I-U-10	1-3/4 X 3-1/2	28.83
BCK-6537585	I-U-10	1-1/2 X 3	28.19
BCK-6537861	I-U-10	1-3/4 X 3-1/4	27.46
BCK-6538082	I-U-10	1-3/4 X 3	46.54
BCK-6538144	I-U-10	1-1/2 X 3-1/4	33.32
BCK-6544447	I-U-10	1 X 2-1/4	15.94
BCK-6544448	I-U-10	1-1/4 X 2-1/4	14.26
BCK-6548178	I-U-10	2 X 3-1/2	20.35
BCK-6551271	I-U-10	1-1/2 X 3	15.97
BCK-6555117	I-U-10	1-1/2 X 2-1/4	15.41
BCK-6555851	I-U-10	1-1/2 X 3-1/2	22.70
BCK-6557718	I-U-10	1-1/2 X 3	14.97

Kit Number	Code (Pg. xiv)	Rod X Bore Size	List Price
BCK-6557719	I-U-10	1-1/4 X 2	\$14.34
BCK-6558847	I-U-10	1-1/2 X 3-1/4	17.05
BCK-6573437	I-OB-3	1-1/2 X 2	2.62
BCK-6586203	I-U-10	1-1/4 X 2-3/4	19.31
BCK-6586298	I-U-10	1-1/4 X 2	26.95
BCK-6586915	I-U-10	1-1/2 X 2-1/4	30.50
BCK-6587790	I-U-10	1 X 2	20.63
BCK-6587974	I-U-10	1-1/2 X 2-1/4	24.71
BCK-6587985	I-U-10	1-1/2 X 2-1/4	42.54
BCK-6587987	I-U-10	1-1/2 X 2-3/4	19.38
BCK-6587989	I-U-10	1-1/2 X 3	39.13
BCK-6587990	I-U-10	1-3/4 X 3	46.54
BCK-6587991	I-U-10	1-3/4 X 3-1/4	36.29
BCK-6588059	I-U-10	2 X 3-1/2	54.30
BCK-6588079	I-U-10	1-3/4 X 3	33.78
BCK-6588083	I-U-10	2 X 3-1/4	55.89
BCK-6589064	I-U-10	1 X 2	48.02
BCK-6589786	I-U-10	1-1/2 X 2-3/4	33.05
BCK-6589792	I-U-10	1-1/2 X 3-1/4	40.24
BCK-6589793	I-U-10	1-1/2 X 2-1/4	30.42
BCK-6589794	I-U-10	1-1/2 X 2-1/4	32.45
BCK-6589796	I-U-10	1-1/2 X 2-3/4	30.58
BCK-6589797	I-U-10	1-1/2 X 3	34.09
BCK-6589798	I-U-10	1-1/2 X 3	37.63
BCK-6589807	I-U-10	1-1/2 X 2-3/8	34.86
BCK-6589818	I-U-10	1 X 2	33.81
BCK-6589868	I-U-10	1-1/4 X 2-3/8	29.08
BCK-6590898	I-U-10	2 X 3	26.87
BCK-6591031	P-U-10	2-1/2 X 5-1/2	56.78
BCK-6591885	I-U-10	1-1/2 X 3-1/4	26.21
BCK-6592010	I-U-10	1-1/2 X 3	21.58
BCK-6592276	I-U-3	1 X 2-1/4	20.89
BCK-6592574	I-U-10	1-1/4 X 3	24.71
BCK-6592780	I-U-10	1-3/4 X 3	23.98
BCK-6593015	I-U-10	1 X 2	48.02
BCK-6593287	I-U-10	2 X 3-3/4	29.24
BCK-6594369	I-U-10	1-1/2 X 3-1/4	47.53
BCK-6595177	I-U-10	1-1/4 X 2-1/2	29.94
BCK-6596126	I-U-10	1-3/4 X 3-1/2	37.41
BCK-6598220	O-RING KIT		6.36

BOBCAT (MELROE)

Kit Number	Code (Pg. xiv)	Rod X Bore Size	List Price
BCK-6598343	P-OB-3	1 X 2	\$17.72
BCK-6634687	I-U-5	1-1/4 X 2-1/2	33.19
BCK-6635405	I-OB-3	1-1/8 X 2-1/2	11.27
BCK-6651242	MOTOR SEAL KIT		147.02
BCK-6656283	O-RING KIT		5.24
BCK-6660750	O-RING KIT		5.36
BCK-6661046	I-U-10,12	1-3/8 X 2-3/8	92.05
BCK-6661047	I-U-10	1-3/8 X 2-3/8	29.22
BCK-6661051	I-U-10	1-3/4 X 3-1/4	27.46
BCK-6661052	I-U-10	1-3/4 X 3-1/2	28.83
BCK-6661053	I-U-10	1-1/2 X 3	28.19
BCK-6661288	I-U-10	1 X 2	17.53
BCK-6661296	I-U-10	1-1/4 X 2-3/4	19.31
BCK-6661297	I-U-10	1-1/2 X 3-1/4	22.45
BCK-6661298	I-U-10	1-1/2 X 3-1/4	47.53
BCK-6661308	I-U-10	1-1/2 X 3-1/4	27.58
BCK-6661317	I-U-10	1-1/4 X 2-1/4	21.33
BCK-6661328	VALVE KIT		24.26
BCK-6661329	I-U-10	1-1/4 X 3	24.71
BCK-6693695	P-U-10	1-3/8 X 1-7/8	52.98
BCK-6801183	I-U-10	1-1/4 X 3-1/4	29.58
BCK-6803268	I-U-10	1-1/2 X 2-3/4	41.98
BCK-6803272	I-U-10	1-1/2 X 3	33.27
BCK-6803274	I-U-10	1-1/2 X 3-1/2	32.77
BCK-6803281	I-U-10	1-3/8 X 2-3/8	46.19
BCK-6803312	I-U-10	1-3/4 X 2-1/2	39.42
BCK-6803313	I-U-10	1-3/4 X 3	44.63
BCK-6803314	I-U-10	1-3/4 X 3-1/2	38.55
BCK-6803325	I-U-10	1-1/2 X 2-1/4	36.03
BCK-6803329	I-U-10	1-1/4 X 2	29.71
BCK-6803334	I-U-10	1-1/4 X 3	36.12
BCK-6803472	I-U-10	1 X 2	23.40
BCK-6803473	I-U-10	1 X 1-3/4	24.77
BCK-6803474	I-U-10	1 X 2	25.62
BCK-6804603	I-U-10	1-3/4 X 3	46.54
BCK-6804604	I-U-10	1-1/2 X 3	46.05
BCK-6804605	I-U-10	1-1/2 X 3-1/4	55.63
BCK-6804606	I-U-10	1-1/2 X 3-1/2	41.84
BCK-6804609	I-U-10	1-1/2 X 2-3/4	54.85
BCK-6804615	I-U-10	1-5/8 X 3-1/2	42.52

Kit Number	Code (Pg. xiv)	Rod X Bore Size	List Price
BCK-6804616	I-U-10	1-5/8 X 2-3/4	\$57.20
BCK-6804927	I-U-10	1-1/4 X 2	39.88
BCK-6806330	I-U-10	1-3/8 X 2-3/4	40.56
BCK-6806862	I-U-10	1-3/8 X 2-1/2	33.52
BCK-6808225	I-U-10	1-1/4 X 3-1/4	29.88
BCK-6808296	I-U-10	1-1/4 X 2-1/2	36.74
BCK-6809571	I-U-10	1-3/8 X 2-3/8	33.92
BCK-6810470	I-U-10	2 X 3-1/4	55.25
BCK-6810717	I-U-10	2 X 2-3/4	67.00
BCK-6810718	I-U-10	2 X 4	92.43
BCK-6810719	I-U-10	1-3/4 X 3	46.44
BCK-6813752	I-U-10	1-3/4 X 2-1/2	40.11
BCK-6815085	I-U-10	1-3/4 X 3-1/4	50.56
BCK-6815959	I-U-10	2 X 3-3/4	139.57
BCK-6816325	I-U-10	1-1/2 X 3	46.05
BCK-6816325	I-U-10	1-1/2 X 3	46.05
BCK-6816352	I-U-10	1-3/4 X 3	46.10
BCK-6816533	I-U-10	1-3/4 X 3-1/4	51.44
BCK-6816534	I-U-10	1-1/2 X 2-3/8	34.39
BCK-6816535	I-U-10	1-1/2 X 2-1/4	35.55
BCK-6816536	I-U-10	1-5/8 X 3	44.36
BCK-6816537	I-U-10	1-1/2 X 2-1/2	44.49
BCK-6817081	I-U-10	2-1/4 X 3-1/2	110.16
BCK-6817143	I-U-10	2 X 3-1/4	67.35
BCK-6817516	I-U-10	1-5/8 X 2-3/4	54.47
BCK-6817183	I-U-10	2-1/4 X 4	127.50
BCK-6818161	I-U-10	2 X 3-1/4	56.11
BCK-7135489	I-U-10	1-5/8 X 2-3/4	31.63
BCK-7135538	I-U-10	1-1/2 X 2-3/8	64.26
BCK-7135547	I-U-10	1-1/2 X 3	44.48
BCK-7135551	I-U-10	1-1/2 X 3-1/4	44.25
BCK-7135555	I-U-10	1-1/2 X 3-1/2	48.52
BCK-7135557	I-U-10	1-1/2 X 2-1/4	44.82
BCK-7135558	I-U-10	1-1/2 X 2-1/4	43.03
BCK-7135559	I-U-10	1-1/2 X 2-1/2	44.49
BCK-7137770	I-U-10	1-1/4 X 2	39.88
BCK-7137771	I-U-10	1 X 2	17.04
BCK-7137772	I-U-10	1 X 2	25.62
BCK-7137786	I-U-10	1-1/4 X 2-1/4	77.64
BCK-7137865	I-U-10	1-3/4 X 2-1/2	31.93

BOBCAT (MELROE)

Kit Number	Code (Pg. xiv)	Rod X Bore Size	List Price
BCK-7137866	I-U-10	1-1/4 X 2-1/2	\$33.39
BCK-7137868	I-U-10	1-3/8 X 2-1/2	34.37
BCK-7137869	I-U-10	1-3/4 X 2-1/2	43.10
BCK-7137935	I-U-10	1-3/4 X 2-3/4	38.41
BCK-7137939	I-U-10	1-5/8 X 3	44.36
BCK-7137944	I-U-10	1-1/4 X 3	55.59
BCK-7137945	I-U-10	1-3/4 X 3	49.72
BCK-7137963	I-U-10	1-3/4 X 3-1/4	50.56
BCK-7137966	I-U-10	2 X 3-1/4	48.29
BCK-7138014	I-U-10	1 X 1-3/4	24.77
BCK-7138073	I-U-10	1-1/2 X 2-1/4	28.97
BCK-7147833	I-U-10	1-3/4 X 3-1/4	37.35
BCK-7156581	I-U-10	1-3/4 X 3-1/4	50.56
BCK-7161331	I-U-10	1-3/4 X 3	112.53
BCK-7168820	I-U-10	1-3/4 X 2-3/4	37.61
BCK-7161903	I-U-10	2 X 3-1/4	85.18
BCK-7166257	I-U-10	2 X 3-1/4	94.03
BCK-7166330	I-U-10	2 X 3-1/4	75.85
BCK-7162060	I-U-10	1-3/4 X 3-1/4	50.56
BCK-7162061	I-U-10	1-3/4 X 3	61.34
BCK-7162062	I-U-10	1-1/2 X 2-3/4	60.86
BCK-7190632	I-U-10	1-1/2 X 3-1/4	97.05
BCK-7196449	I-U-10	2 X 4	79.07
BCK-7196450	I-U-10	2-1/4 X 4	95.02
BCK-7196481	I-U-10	2 X 3-3/4	81.74
BCK-7196484	I-U-10	2 X 3-3/4	88.44
BCK-7196894	I-U-10	1-1/2 X 3-1/2	39.85
BCK-7196896	I-U-10	1-3/4 X 3-1/2	84.71
BCK-7196898	I-U-10	1-5/8 X 3-1/2	40.49
BCK-7196901	I-U-10	1-3/4 X 3-1/2	99.13
BCK-7196902	I-U-10	2 X 3-1/2	77.59
BCK-7196904	I-U-10	2-1/4 X 3-1/2	94.60
BCK-7196905	I-U-10	1-3/4 X 3-1/2	75.39
BCK-7197632	I-U-10	1-3/4 X 3	61.49
BCK-7199903	I-U-10	1-1/2 X 2-3/4	29.89
BCK-7201446	I-U-10	1-5/8 X 2-3/4	102.62
BCK-7202518	I-U-10	1-5/8 X 3	44.19
BCK-7225491	I-U-10	1-1/2 X 3	38.56
BCK-7225639	I-U-10	1-3/4 X 3	49.72
BCK-7325324	I-U-10	40 X 70	68.02
BCK-7325333	I-U-10	40 X 70	58.75
BCK-749049	I-OB-3	1-1/2 X 2	16.00
BCK-M610	P-O-2	1-1/8 X 1-7/8	6.29

BREAKER TECH

Kit Number	Code (Pg. xiv)	Rod X Bore Size	List Price
BTI-815-0457-ML	I-V-9	2-3/4 X 5	\$270.58
BTI-815-0468-ML	I-V-9	3-1/2 X 6	483.95

CAMECO

Kit Number	Cylinder	Code (Pg. xiv)	Rod X Bore Size	List Price
CAM-017-1344693		N-N-14	100mm Piston Kit	\$32.61
CAM-017-1344694		P-UB-1	50mm Rod Kit	66.37
CAM-061-0007820		P-U-3	1-1/2 X 3-1/2	20.81
CAM-061-0021481		I-U-4	2-1/2 X 5	289.06
CAM-061-0053967		P-U-1	1-1/4	23.73
CAM-061-0297978		P-U-10	2-1/4 X 3	65.85
CAM-061-05835		P-U-3	1-1/4 X 2-1/2	18.90
CAM-061-06067	001-06063	P-OB-3	1-1/16 X 2-1/2	14.94
CAM-061-07221		I-V-5	2-1/2 X 7	196.19
CAM-061-08458	001-08459	I-U-5	2-1/2 X 4	111.96
CAM-061-08913		I-U-5	2-1/2 X 5	98.82
CAM-061-09619		P-U-3	2 X 4	38.58
CAM-061-1247081		P-U-1	3 Rod Kit	48.84
CAM-061-1304751		I-U-10	1-1/4 X 2-1/2	26.22
CAM-061-1309627		P-U-10	4 X 7	361.79
CAM-061-1347081		P-U-1	3 Rod Kit	48.84
CAM-061-1362725		I-U-10	1 X 2	17.98
CAM-061-21693		I-U-9	2-1/2 X 4	97.20
CAM-061-21699	001-21359	I-U-9	1-1/4 X 3	119.05
CAM-061-50139		P-V-3	1-1/4 X 3	38.02
CAM-061-53511		P-UB-10	2-1/2 X 4	82.38
CAM-061-53967	001-37224	P-U-1	1-1/4 Rod Kit	43.89
CAM-061-53968		P-U-1	1-1/2 Rod Kit	36.05
CAM-061-53970	001-89599	P-U-1	2-1/2 Rod Kit	47.96
CAM-061-53972	001-89576	N-N-10	3" Piston Kit	48.11
CAM-061-53973	001-89599	N-N-10	4" Piston Kit	48.76
CAM-061-53974		N-N-10	5" Bore	240.11
CAM-062-05672			Valve Kit	5.00
CAM-062-22730			Motor Kit	15.20

CASCADE

Kit Number	Code (Pg. xiv)	Rod X Bore Size	List Price
CAS-11.11.73	I-U-15	7/8 X 1-1/2	\$34.14
CAS-210090	I-U-4	20 X 36 mm	208.87
CAS-210288	I-U-4	20 X 36 mm	208.87
CAS-562339	I-U-4,10	1-1/8 X 2-1/4	33.03
CAS-684827	I-U-4	3/4 X 1-1/2	19.96
CAS-552715	I-U-1	2-1/4 X 2-3/4	60.58
CAS-554289	MULTI STAGE	4, 5	207.31
CAS-560349	I-U-4	2" X 75 mm	130.85
CAS-562591	I-U-4	2" X 60 mm	104.60
CAS-564409	I-U-13	25 X 63 mm	78.26
CAS-615939	O-RING KIT		9.03
CAS-615940	O-RING KIT		11.89
CAS-628080	I-V-8	1-1/4 X 3	79.68
CAS-630033	I-U-3	1-1/2 X 4-3/4	40.69
CAS-630038	I-U-3	1-1/2 X 4-3/4	37.68
CAS-630445	I-V-8	1-1/4 X 2-1/2	69.94
CAS-631277	P-V-9	2 X 4-3/4	252.86
CAS-638884	MULTI STAGE	2-3/4, 3-3/4	129.64
CAS-639695	I-U-4	3/4 X 1-3/4	64.24
CAS-640371	I-U-4	4 X4-1/2	107.65

Kit Number	Code (Pg. xiv)	Rod X Bore Size	List Price
CAS-641956	MULTI STAGE	4, 5	\$176.81
CAS-643280	I-U-4	3 X 3-1/2	67.68
CAS-644690	I-U-5	1-3/4 X 4	125.83
CAS-646305	I-U-3	3-1/2 X 4	83.01
CAS-646339	SWIVEL KIT		8.14
CAS-647626	I-U-4	1 X 2-1/4	33.10
CAS-647892	I-V-8	1-3/4 X 4.520	112.37
CAS-650018	I-U-5	3-1/2 X 7	146.10
CAS-651847	I-N-4	2 X 2-1/2	50.82
CAS-654519	P-V-1	2 X 4-3/4	76.59
CAS-656167	MULTI STAGE	4-1/4, 5-7/16	242.83
CAS-658717	MULTI STAGE	2-3/4, 3-3/4	122.17
CAS-660954	I-U-4	1-5/8 X 3-1/2	72.28
CAS-660955	I-U-4	3 X 4	85.22
CAS-664814	N-U-4	3/4 X 1-3/4	34.46
CAS-667622	MULTI STAGE	2-1/2, 3-1/4, 4-1/2	232.37

45C VIEWMAST II

CAS-T555286	P-U-10	2-1/8 X 3	\$101.46
-------------	--------	-----------	----------

REPLACEMENT PARTS FOR CASCADE EQUIPMENT

NOTE: Cascade part numbers are used as a reference only. We do not imply that these kits are original REPLACEMENT PARTS.

BACK-UP RINGS

Part Number	Min. Pkgs.	List Price
CAS-559870	1	\$12.79
CAS-563388	10	1.20
CAS-563907	1	3.32
CAS-563977	5	2.14
CAS-564404	1	12.89
CAS-615009	25	0.44
CAS-615012	25	0.45
CAS-615126	10	0.66
CAS-615128	10	0.77
CAS-615130	10	0.93
CAS-615132	10	1.04
CAS-615135	10	1.21
CAS-615140	10	1.66
CAS-615146	5	2.54
CAS-615147	5	2.22

BACK-UP RINGS

Part Number	Min. Pkgs.	List Price
CAS-615150	5	\$2.56
CAS-615152	5	2.84
CAS-615217	1	4.87
CAS-637565	1	6.45
CAS-638223	1	8.70
CAS-638224	1	8.70
CAS-638225	1	9.07
CAS-638244	10	0.76
CAS-638245	1	6.37
CAS-638247	1	6.69
CAS-638249	1	6.99
CAS-638250	1	6.20
CAS-638252	1	7.69
CAS-638253	1	7.97
CAS-638256	1	8.93

BACK-UP RINGS

Part Number	Min. Pkgs.	List Price
CAS-638257	1	\$9.07
CAS-638293	1	7.46
CAS-638295	1	7.97
CAS-638298	1	9.07
CAS-648569	4	3.52
CAS-660952	1	7.97
CAS-669247	5	2.51
CAS-671754	10	1.03

FACE SEALS

Part Number	List Price
CAS-601468	\$2.74
CAS-607287	4.30

REPLACEMENT PARTS FOR CASCADE

NOTE: Cascade part numbers are used as a reference only. We do not imply that these kits are original REPLACEMENT PARTS.

O-RINGS

Part Number	Min. Pkgs.	List Price
CAS-1596	50	\$0.10
CAS-1912210	20	0.34
CAS-207300	50	0.07
CAS-208761	50	0.10
CAS-208762	50	0.26
CAS-208763	50	0.30
CAS-209063	15	0.92
CAS-209064	15	0.92
CAS-209065	15	0.94
CAS-209066	15	1.01
CAS-212359	50	0.12
CAS-2696	50	0.03
CAS-2697	50	0.03
CAS-2698	50	0.03
CAS-2699	50	0.03
CAS-2700	50	0.07
CAS-2701	50	0.08
CAS-2702	50	0.07
CAS-2703	50	0.08
CAS-2704	50	0.08
CAS-2705	50	0.08
CAS-2706	50	0.08
CAS-2707	50	0.10
CAS-2709	50	0.10
CAS-2712	50	0.13
CAS-2722	20	0.30
CAS-2753	5	2.41
CAS-2785	20	0.62
CAS-2787	20	0.45
CAS-2789	20	0.48
CAS-2792	20	0.60
CAS-2793	20	0.60
CAS-2797	20	0.75
CAS-2799	20	0.80
CAS-2801	20	0.82
CAS-2803	10	0.91
CAS-2804	10	0.97
CAS-2807	10	1.29
CAS-2808	10	1.32
CAS-2809	10	1.36

O-RINGS

Part Number	Min. Pkgs.	List Price
CAS-2811	10	\$1.43
CAS-2840	50	0.26
CAS-524737	50	0.08
CAS-543372	10	1.66
CAS-557226	50	0.16
CAS-562127	20	0.74
CAS-564363	20	0.47
CAS-581565	50	0.34
CAS-613376	50	0.11
CAS-617724	50	0.13
CAS-622406	20	0.30
CAS-624737	50	0.08
CAS-624738	50	0.11
CAS-626186	50	0.11
CAS-626189	20	0.26
CAS-628033	20	0.21
CAS-630386	20	0.27
CAS-643330	50	0.07
CAS-643331	50	0.07
CAS-643332	50	0.07
CAS-643333	50	0.07
CAS-643334	50	0.07
CAS-643335	50	0.07
CAS-643336	50	0.07
CAS-643337	50	0.08
CAS-643338	50	0.08
CAS-643339	50	0.10
CAS-643340	50	0.10
CAS-643341	50	0.11
CAS-643342	50	0.11
CAS-643343	50	0.11
CAS-643344	50	0.11
CAS-643345	50	0.13
CAS-643346	50	0.13
CAS-643347	50	0.19
CAS-643348	50	0.21
CAS-643349	50	0.21
CAS-643350	20	0.21
CAS-643351	20	0.24
CAS-643352	20	0.27

O-RINGS

Part Number	Min. Pkgs.	List Price
CAS-643353	20	\$0.30
CAS-643354	20	0.34
CAS-643355	20	0.41
CAS-643356	20	0.45
CAS-643357	20	0.45
CAS-643358	20	0.48
CAS-643359	20	0.48
CAS-643360	20	0.54
CAS-643361	20	0.55
CAS-643362	20	0.57
CAS-643363	20	0.65
CAS-643364	20	0.72
CAS-643365	20	0.75
CAS-643366	10	0.88
CAS-643367	10	0.91
CAS-643368	10	0.97
CAS-643369	10	1.08
CAS-643370	10	1.29
CAS-643371	10	1.66
CAS-643373	50	0.10
CAS-643374	50	0.11
CAS-643375	50	0.11
CAS-643376	50	0.11
CAS-643377	50	0.13
CAS-643378	50	0.13
CAS-643379	50	0.13
CAS-643380	50	0.21
CAS-643381	50	0.21
CAS-643382	20	0.24
CAS-643383	20	0.26
CAS-643384	20	0.27
CAS-643385	20	0.27
CAS-643386	20	0.30
CAS-643387	20	0.31
CAS-643388	20	0.31
CAS-643389	20	0.34
CAS-643390	20	0.34
CAS-643391	20	0.34
CAS-643392	20	0.35
CAS-643393	20	0.35

REPLACEMENT PARTS FOR CASCADE EQUIPMENT

NOTE: Cascade part numbers are used as a reference only. We do not imply that these kits are original REPLACEMENT PARTS.

O-RINGS

Part Number	Min. Pkgs.	List Price
CAS-643394	20	\$0.41
CAS-643395	20	0.41
CAS-643396	20	0.41
CAS-643397	20	0.48
CAS-643398	20	0.48
CAS-643399	20	0.48
CAS-643400	20	0.54
CAS-643401	20	0.54
CAS-645592	20	0.62
CAS-654926	50	0.21
CAS-655799	50	0.13
CAS-666015	50	0.26
CAS-666183	50	0.26
CAS-666184	50	0.16
CAS-666891	15	0.92
CAS-666892	10	1.01
CAS-666893	15	0.92
CAS-676959	15	0.90
CAS-682862	50	0.08
CAS-684587	50	0.12
CAS-684615	50	0.12
CAS-689937	50	0.12
CAS-689938	50	0.16
CAS-797089	20	0.63

PISTON SEALS

Part Number	Bore Diameter	List Price
CAS-564407	63 mm	\$ 48.68

RETAINER RINGS

Part Number	List Price
CAS-7197	\$2.96

U-SEALS

Part Number	Rod Dia.	List Price
CAS-646540	3/4	\$5.70
CAS-641835	7/8	5.91
CAS-560502	1	6.15
CAS-662447	1	6.55
CAS-662450	1-3/8	7.47
CAS-662452	1-5/8	8.08
CAS-662454	1-7/8	9.05
CAS-553521	2-1/2	22.77
CAS-662462	3-1/2	17.57
CAS-553954	4-1/2	41.13
CAS-662457	2-1/4	11.73
CAS-553523	3	26.87
CAS-553524	3-1/4	28.15
CAS-662465	4-1/4	23.04
CAS-662467	4-3/4	26.32

REPLACEMENT PARTS FOR CASCADE

NOTE: Cascade part numbers are used as a reference only. We do not imply that these kits are original REPLACEMENT PARTS.

VEE SETS

Part Number	Bore	List Price
CAS-1469	3-1/2	\$57.90
CAS-1471	4-1/2	62.70
CAS-1809	1-3/4	25.15
CAS-1861	2-3/4	53.30
CAS-7501	1-3/8	28.96
CAS-7502	2	27.94
CAS-7514	3-3/4	52.58
CAS-7538	4	35.50
CAS-7542	3	30.10
CAS-7554	4-3/4	90.64
CAS-7561	4-1/4	98.62
CAS-7606	2-1/4	22.74
CAS-7608	3-1/2	29.94
CAS-7609	2-1/2	27.02
CAS-7636	4-1/4	55.95
CAS-827	4-1/2	71.49

WEAR RINGS

Part Number	O.D. X Width	List Price
CAS-660761	2-1/4 X 1/2	\$4.78
CAS-660769	4 X 1/2	5.36
CAS-660784	4-3/4 X 3/4	6.28
CAS-660786	5-1/4 X 3/4	6.42
CAS-636959	5-3/4 X 3/4	8.24

WIPERS

Part Number	Rod Dia.	List Price
CAS-559961	3/4	\$3.73
CAS-636851	7/8	1.38
CAS-636852	1	1.38
CAS-626468	1-1/4	1.49
CAS-636854	1-5/8	2.32
CAS-1916335	2-1/2	6.71
CAS-629608	2-1/2	2.83
CAS-636859	3	3.49
CAS-636860	3-1/4	4.11
CAS-563682	3-1/4	9.71
CAS-636862	4	4.69
CAS-563683	4-1/2	12.51
CAS-626456	4-1/2	5.08
CAS-636864	4-3/4	5.29
CAS-561256	42 mm	23.31

REPLACEMENT SEAL KITS FOR CASE EQUIPMENT*

Replacement Seal Kits By Machine Type

▶ NEW MODELS

Table of Contents

▶ UPDATES

Machine Type		Page
Backhoe Loaders	380LL, 430 with Backhoe Models 21, 22, 23, 580 Super L, 580 Super L Construction King, 580 Super M, 580 Super M SERIES 3, 580 Super M+ SERIES 3, 580 Super N Tier 3, 580 Super N Tier 4, 580 with Backhoe Models 33, 33S, 580C Construction King, 580L, 580M, 580N (Brazil), 580N Tier 3, 580N Tier 4, 590 Super L, 590 Super M, 590 Super M SERIES 3, 590 Super N Tier 3, 590 Super N Tier 4, 590SR Super R, 590SR Super R Tier 2, 590SR Super R Tier 3, 680	38 - 45
Crawler Dozers	750K - Series 2 Tier 2, 750K - Series 3 Tier 2, 750K, 750L, 850L, 1150K, 1650K - Tier 1, 1650K - Tier 2, 1650L, 1850K - Tier 1, 1850K - Tier 2, 1850K - Tier 3	45 - 47
Crawler Dozers/Loaders	310E, 310F with Backhoe Model 31, 420C, 450 with Backhoe Models 26, 26B, 26C, 26S, 32, 33, 35, 550E, 550G, 550H, 650G, 650K, 750 with Backhoe Models 32, 33S, 34, 750H, 850 with Backhoe Models 34, 35, 36, 850B with Backhoe Model 35, 850E, 855E, 850G, 850H, 850K, 1150G, 1150H	47 - 53
Excavators	880, 880B, 880C, 880D, 880R, 9010B, 9020B, 9030B, 9040B, CX130, CX130C, CX130D, CX130D LC, CX135SR, CX145C SR, CX160, CX160B, CX160C, CX160D LC, CX210, CX210B, CX210C, CX210C LC, CX210C LR, CX210C NLC, CX210D LC, CX210D LC LR, CX210D NLC, CX240, 250C, 250D LC, 250D LC LR, CX330, CX350C, CX350D LC	53 - 58
Excavators - Compact	CX27B, CX31, CX31B, CX36, CX36B, CX50B, CX55B, CX55BMSR, CX75SR	58 - 61
Forklifts - Rough Terrain	586G	61
Loaders - Skid Steer	40XT, 60XT, 70XT, 75XT, 85XT, 90XT, <u>95XT</u> , 1818, 1825, 1835, 1835B, 1835C, 1838, 1840, 1845, 1845S, 1845B, 1845C, SR200, SR220, SR250, SV185, SV250, SV300	61 - 66
Loaders - Track Skid Steer	TR270, TR320, TV380	66
Loaders - Wheel	521D, 621B, 621C, 621D, 621E, 621F, 721B, 721C, 721D, 721E, 721F, 821B, 821C, 821E, 821F, 921, 921C, W8E, W9, W9A, W9B, W9C, W9E, W10, W10B, W10C, W10E, W14B	66 - 69
Uni-Loaders	1530B, 1700, 1816B, 1816C, 1818, 1825, 1830, 1835, 1835B, 1840, 1845, 1845B, 1845C, 1845S	69 - 70
Unimogs	MB4/94 with Model 26C Backhoe, P80 Cable Plow, T70	70 - 71
Alpha-Numeric Kit Listing		72 - 77
Case Individual Parts		78 - 81

The following models are available online at www.HerculesUS.com or by calling your regional sales team.

Backhoe Loaders	480, 480B with Backhoe Models 23, 26, 26B, 26S, 480C, 480D, 480D LL, 480E, 480E LL, 480F, 480F LL, 530 with Backhoe Models 31, 32, 32S, 580 Super E, 580 Super K, 580B with Backhoe Model 35, 580C, 580D, 580 Super D, 580F, 580K, 590, 680B, 680C, 680CK, 680E, 680G, 680H, 680K, 680L, 780, 780B
Crawler Dozers/Loaders	310G with Backhoe Models 26, 26B, 26S, 32, 33, 350 with Backhoe Models 26, 26B, 26C, 26S, 350B with Backhoe Models 26C, 26D, 450B, 450C, 455B, 455C with Backhoe Models 26D, 35, 475 Cable Layer, 850B, 850C, 855C with Backhoe Models 35A, 35C, 35C WL, 35 WL, 850D with Backhoe Models 35C, 35C WL, 1150 with Backhoe Models 32, 34, 36, 1150B, 1150C, 1150D, 1155D, 1450, 1450B, 1455B
Loaders - Wheel	621, 721, 821, W7, W7C, W7E, W11, W11B, W14, W14L, W14H, W18, W20, W20B, W18B, W20C, W24, W24B, W24C, W26B, W26FL, W3, W30, W36

*All manufacturer's names, part numbers and descriptions are used for reference purposes only. We do not imply that any part shown is the product of these manufacturers. We also do not imply that the list price shown is exactly that of the manufacturer.

CASE

Replacement Kits For

Backhoe Loaders								
APPLICATION	CYL #	Piston	SERIAL #	CODE	ROD	BORE	KIT #	List \$
MODEL 380LL								
LIFT		2pc		P-U-9	1-1/2	2-1/2	JIC-G32294	49.41
TILT		2pc		P-U-9	1-1/2	2-1/2	JIC-G32294	49.41
MODEL 430 with Backhoe Models 21, 22, 23								
BACKHOE BOOM				I-U-1	1-3/4		JIC-D42872	21.09
				I-U-1	1-3/4		JIC-D42873	28.89
		2pc		N-N-9		3	JIC-G33151	32.54
BACKHOE BUCKET		2pc		N-N-9		3-1/2	JIC-G33237	36.03
				I-U-1	2		JIC-D42874	22.47
BACKHOE DIPPER		2pc		N-N-9		3	JIC-G33151	32.54
				I-U-1	2		JIC-D42874	22.47
BACKHOE STABILIZER		2pc		N-N-9		3	JIC-G33151	32.54
		2pc		N-N-9		3-1/2	JIC-G33237	36.03
				I-U-1	1-1/4		JIC-D42867	26.29
BACKHOE SWING		2pc		N-N-9		2-1/2	JIC-G33193	31.75
				I-U-1	1-1/4		JIC-D42867	26.29
LOADER LIFT		2pc		N-N-9		2-1/2	JIC-G33193	31.75
				I-U-1	1-1/2		JIC-D42869	28.34
LOADER TILT		2pc		N-N-9		2-1/2	JIC-G33193	31.75
				I-U-1	1-1/2		JIC-D42870	28.15
		2pc		N-N-9		3	JIC-G33151	32.54
MODEL 580 Super L								
BACKHOE BOOM	144200A1	1pc		P-UB-10	2-1/4	5	JIC-1542919C2	186.61
BACKHOE BUCKET	110290A1	1pc		P-UB-10	2-1/2	3-1/2	JIC-1542923C2	87.25
	235916A1	1pc		P-UB-10	2-1/2	3-1/2	JIC-1542923C2	87.25
BACKHOE DIPPER	126151A1	1pc		P-UB-10	2-1/2	5	JIC-84154316	82.47
	183795A1	1pc		P-UB-10	2-1/2	5	JIC-84154316	82.47
	183795A2	1pc		P-UB-10	2-1/2	5	JIC-84154316	82.47
BACKHOE DIPPER EXT	1340969C2	1pc		P-UB-10	1-3/4	3	JIC-1543267C1	67.57
BACKHOE STABILIZER	143695A1	1pc		P-UB-10	2	4-1/4	JIC-1543275C1	88.94
	143697A1	1pc		P-UB-10	2	4-1/4	JIC-1543275C1	88.94
	199720A1	1pc		P-UB-10	2	4-1/4	JIC-1543275C1	88.94
	199721A1	1pc		P-UB-10	2	4-1/4	JIC-1543275C1	88.94
BACKHOE SWING	139808A1	1pc		P-UB-10	2	4	JIC-122535A1	136.22
LOADER BUCKET	113133A2	1pc		P-UB-10	1-1/2	3	JIC-1543256C1	54.67
LOADER CLAM	1346189C1	1pc		P-UB-10	1-3/4	3	JIC-1543267C1	67.57
	1346190C1	1pc		P-UB-10	1-3/4	3	JIC-1543267C1	67.57
LOADER LIFT	112366A2	1pc		P-UB-10	1-3/4	3-1/4	JIC-1543260C1	69.14
MODEL 580 Super L Construction King								
BACKHOE BOOM	144200A1			P-UB-10	2-1/4	5	JIC-1542919C2	186.61
BACKHOE BUCKET	110290A1			P-UB-10	2-1/2	3-1/2	JIC-1542923C2	87.25
	235916A1			P-UB-10	2-1/2	3-1/2	JIC-1542923C2	87.25
BACKHOE DIPPER	126151A1			P-UB-10	2-1/2	5	JIC-84154316	82.47
	183795A1			P-UB-10	2-1/2	5	JIC-84154316	82.47
BACKHOE DIPPER EXT	1340969C2			P-UB-10	1-3/4	3	JIC-1543267C1	67.57
BACKHOE SWING	139808A1			P-UB-10	2	4	JIC-122535A1	136.22
	139808A2			P-UB-10	2	4	JIC-122535A1	136.22
LOADER BUCKET	113133A2			P-UB-10	1-1/2	3	JIC-1543256C1	54.67
LOADER CLAM - LH	1346189C1			P-UB-10	1-3/4	3	JIC-1543267C1	67.57
LOADER CLAM - RH	1346190C1			P-UB-10	1-3/4	3	JIC-1543267C1	67.57
LOADER LIFT	112366A2			P-UB-10	1-3/4	3-1/4	JIC-1543260C1	69.14
STABILIZER - LH	143697A1			P-UB-10	2	4-1/4	JIC-1543275C1	88.94
	199721A1			P-UB-10	2	4-1/4	JIC-1543275C1	88.94
STABILIZER - RH	143695A1			P-UB-10	2	4-1/4	JIC-1543275C1	88.94
	199720A1			P-UB-10	2	4-1/4	JIC-1543275C1	88.94

CASE

CASE

Replacement Kits For

CASE

Backhoe Loaders								
APPLICATION	CYL #	Piston	SERIAL #	CODE	ROD	BORE	KIT #	List \$
MODEL 580 Super M								
BACKHOE BOOM				P-UB-10	2-1/4	5	JIC-1542919C4	203.65
	310844A1			P-UB-10	2-1/4	5	JIC-1542919C4	203.65
	378031A1			P-UB-10	2-1/4	5	JIC-1542919C4	203.65
	87408036			P-UB-10	2-1/4	5	JIC-1542919C4	203.65
BACKHOE BUCKET	235916A1			P-UB-10	2-1/2	3-1/2	JIC-1542923C2	87.25
BACKHOE DIPPER	183795A3			P-UB-10	2-1/2	5	JIC-84154316	82.47
BACKHOE EXTENDABLE DIPPER	1340969C2			P-UB-10	1-3/4	3	JIC-1543267C1	67.57
BACKHOE STABILIZER LH	199721A1			P-UB-10	2	4-1/4	JIC-1543275C1	88.94
BACKHOE STABILIZER RH	199720A1			P-UB-10	2	4-1/4	JIC-1543275C1	88.94
BACKHOE SWING	139808A2			P-UB-10	2	4	JIC-122535A1	136.22
LOADER BUCKET	113133A2			P-UB-10	1-1/2	3	JIC-1543256C1	54.67
LOADER CLAM LH	1346190C1			P-UB-10	1-3/4	3	JIC-1543267C1	67.57
LOADER CLAM RH	1346189C1			N-UB-1	1-3/4		JIC-1542875C1	24.28
LOADER LIFT	384240A1			P-UB-10	1-3/4	3-1/4	JIC-1543260C1	69.14
MODEL 580 Super M SERIES 3								
BACKHOE BOOM	87711763		02/08-	P-UB-10,12	2-1/2	5-1/4	JIC-87418297	247.76
BACKHOE BUCKET	235916A1		02/08-	P-UB-10	2-1/2	3-1/2	JIC-1542923C2	87.25
BACKHOE DIPPER	183795A4		02/08-	P-UB-10	2-1/2	5	JIC-84154316	82.47
BACKHOE STABILIZER LH	199721A1		02/08-	P-UB-10	2	4-1/4	JIC-84155085	87.66
BACKHOE STABILIZER RH	199720A1		02/08-	P-UB-10	2	4-1/4	JIC-84155085	87.66
BACKHOE SWING	139808A2		02/08-	P-UB-10	2	4	JIC-122535A1	136.22
	188027A2		02/08-	P-UB-10,12	2	3-3/4	JIC-191747A1	130.75
LOADER BUCKET	87609669		02/08-	P-UB-10	1-1/2	3	JIC-1543256C1	54.67
LOADER CLAM LH	87454016		02/08-	P-UB-10	1-3/4	3	JIC-1543267C1	67.57
LOADER CLAM RH	87454017		02/08-	P-UB-10	1-3/4	3	JIC-1543267C1	67.57
LOADER LIFT	384240A1		02/08-	P-UB-10	1-3/4	3-1/4	JIC-1543260C1	69.14
MODEL 580 Super M+ SERIES 3								
BACKHOE BOOM	87711763		02/08-	P-UB-10,12	2-1/2	5-1/4	JIC-87418297	247.76
BACKHOE BUCKET	235916A1		02/08-	P-UB-10	2-1/2	3-1/2	JIC-1542923C2	87.25
BACKHOE DIPPER	183795A4		02/08-	P-UB-10	2-1/2	5	JIC-84154316	82.47
BACKHOE EXTENDABLE DIPPER	1340969C2		02/08-	P-UB-10	1-3/4	3	JIC-1543267C1	67.57
BACKHOE STABILIZER LH	177257A1		02/08-	P-UB-10	2-1/4	5	JIC-84154317	89.09
BACKHOE STABILIZER RH	177256A1		02/08-	P-UB-10	2-1/4	5	JIC-84154317	89.09
BACKHOE SWING	139808A2		02/08-	P-UB-10	2	4	JIC-122535A1	136.22
LOADER BUCKET	87609669		02/08-	P-UB-10	1-1/2	3	JIC-1543256C1	54.67
LOADER CLAM LH	87454016		02/08-	P-UB-10	1-3/4	3	JIC-1543267C1	67.57
LOADER CLAM RH	87454017		02/08-	P-UB-10	1-3/4	3	JIC-1543267C1	67.57
LOADER LIFT	384240A1		02/08-	P-UB-10	1-3/4	3-1/4	JIC-1543260C1	69.14
MODEL 580 Super N Tier 3								
BACKHOE BUCKET	84210935			P-UB-12,14	2-1/2	3-1/2	JIC-84259225	110.53
BACKHOE BUCKET (WT)	84210935			P-UB-12,14	2-1/2	3-1/2	JIC-84259225	110.53
BACKHOE DIPPER	47458141		3/12-2/15, 3/15-	P-UB-12,14	2-1/2	4-3/4	JIC-84259222	178.12
	84288848		7/09-	P-UB-12,14	2-1/2	4-3/4	JIC-84259222	178.12
	84421591		3/12-2/15	P-UB-12,14	2-1/2	4-3/4	JIC-84259222	178.12
BACKHOE STABILIZER LH	84210938			P-UB-14	2-1/4	4-1/2	JIC-84259227	123.46
BACKHOE STABILIZER LH (WT)	84212184			P-UB-14	2-1/2	5-1/4	JIC-84259228	142.90
BACKHOE STABILIZER RH	84210947			P-UB-14	2-1/4	4-1/2	JIC-84259227	123.46
BACKHOE STABILIZER RH (WT)	84210948			P-UB-14	2-1/2	5-1/4	JIC-84259228	142.90
BACKHOE SWING	139808A2			P-UB-10	2	4	JIC-122535A1	136.22
BACKHOE SWING (WT)	139808A2			P-UB-10	2	4	JIC-122535A1	136.22
LOADER 4-IN-1 LH	87454016			P-UB-10	1-3/4	3	JIC-1543267C1	67.57
LOADER 4-IN-1 LH (WT)	87454016			P-UB-10	1-3/4	3	JIC-1543267C1	67.57

CASE

Replacement Kits For

Backhoe Loaders								
APPLICATION	CYL #	Piston	SERIAL #	CODE	ROD	BORE	KIT #	List \$
MODEL 580 Super N Tier 3								
LOADER 4-IN-1 RH	87454017			P-UB-10	1-3/4	3	JIC-1543267C1	67.57
LOADER 4-IN-1 RH (WT)	87454017			P-UB-10	1-3/4	3	JIC-1543267C1	67.57
LOADER BUCKET	84210943			P-UB-12,14	1-1/2	3	JIC-84257772	90.67
LOADER BUCKET (WT)	84210943			P-UB-12,14	1-1/2	3	JIC-84257772	90.67
LOADER LIFT	84224057			P-UB-12,14	1-3/4	3-1/4	JIC-84257323	109.80
LOADER LIFT (WT)	84210940			P-UB-12,14	1-7/8	3-1/2	JIC-84258339	122.10
STEERING	84264405			I-U-10	36 mm	63 mm	JIC-84330972	87.40
STEERING (WT)	84264406			I-U-10	40 mm	70 mm	JIC-84331720	151.57
MODEL 580 Super N Tier 4								
BACKHOE ARM	84421595			P-UB-12,14	2-1/2	3-1/2	JIC-84259225	110.53
BACKHOE ARM (WT)	84421595			P-UB-12,14	2-1/2	3-1/2	JIC-84259225	110.53
BACKHOE STABILIZER	84421605			P-UB-14	2-1/4	4-1/2	JIC-84259227	123.46
BACKHOE STABILIZER (WT)	84421607			P-UB-14	2-1/2	5-1/4	JIC-84259228	142.90
BACKHOE SWING	84428583			P-UB-10	2	4	JIC-122535A1	136.22
BACKHOE SWING (WT)	84428583			P-UB-10	2	4	JIC-122535A1	136.22
BOOM	84421588			P-UB-12,14	2-1/2	5	JIC-84259219	185.99
BOOM (WT)	84421588			P-UB-12,14	2-1/2	5	JIC-84259219	185.99
BUCKET	84421601			P-UB-12,14	1-1/2	3	JIC-84257772	90.67
BUCKET (WT)	84421601			P-UB-12,14	1-1/2	3	JIC-84257772	90.67
CLAM	87455458			P-UB-10	1-3/4	3	JIC-86982377	53.48
CLAM (WT)	87455459			P-UB-10	1-3/4	3	JIC-86982377	53.48
DIPPER	84421591			P-UB-12,14	2-1/2	4-3/4	JIC-84259222	178.12
	84421678			P-UB-10	1-3/4	3	JIC-86982377	53.48
DIPPER (WT)	84421591			P-UB-12,14	2-1/2	4-3/4	JIC-84259222	178.12
	84421678			P-UB-10	1-3/4	3	JIC-86982377	53.48
EXTENDABLE DIPPER	84421678			P-UB-10	1-3/4	3	JIC-86982377	53.48
EXTENDABLE DIPPER (WT)	84421678			P-UB-10	1-3/4	3	JIC-86982377	53.48
LIFT	84421598			P-UB-12,14	1-3/4	3-1/4	JIC-84257323	109.80
LIFT (WT)	84421599			P-UB-12,14	1-7/8	3-1/2	JIC-84258339	122.10
LOADER BUCKET 4-IN-1	87455458			P-UB-10	1-3/4	3	JIC-86982377	53.48
LOADER BUCKET 4-IN-1 (WT)	87455459			P-UB-10	1-3/4	3	JIC-86982377	53.48
STEERING	84264405			I-U-10	36 mm	63 mm	JIC-84330972	87.40
STEERING (WT)	84264405			I-U-10	36 mm	63 mm	JIC-84330972	87.40
STEERING-2WD	401055A1			I-U-10	36 mm	63 mm	JIC-401061A1	86.80
STEERING-4WD (WT)	84264406			I-U-10	40 mm	70 mm	JIC-84331720	151.57
MODEL 580 with Backhoe Models 33, 33S								
3-PT HITCH LIFT		2pc		P-U-9	1-1/2	2-1/2	JIC-G32294	49.41
3-PT HITCH PITCH		1pc		P-UB-10	1-1/4	2-1/2	JIC-G105507	36.25
		2pc		P-U-9	1-1/4	2-1/2	JIC-G32295	62.09
3-PT HITCH TILT		2pc		P-UB-9	1-1/2	3	JIC-G105512	71.71
BACKHOE BOOM		2pc		P-UB-9	2	4	JIC-G105517	75.58
		1pc		P-UB-9	2-1/4	4-1/2	JIC-G105520	121.38
		2pc		P-U-9	2	4	JIC-G32299	71.36
				I-U-1	2		JIC-D42876	26.58
				P-U-1	2-1/4		JIC-D42878	25.66
		2pc		N-N-9		4-1/2	JIC-DTVS4.5P	71.86
		2pc		N-N-9		4	JIC-G33239	39.29
BACKHOE BUCKET		2pc		P-UB-9	2	3-1/2	JIC-G105527	72.13
		2pc		P-U-9	2	3-1/2	JIC-G32293	55.36
		2pc		I-U-1	1-3/4		JIC-D42873	28.89
				I-U-1	2		JIC-D42874	22.47
				P-U-1	2-1/4		JIC-D42878	25.66
		2pc		N-N-9		3-1/2	JIC-G33237	36.03
BACKHOE DIPPER		2pc		P-UB-9	2	4	JIC-G105517	75.58

CASE

Replacement Kits For

CASE

Backhoe Loaders								
APPLICATION	CYL #	Piston	SERIAL #	CODE	ROD	BORE	KIT #	List \$
MODEL 580 with Backhoe Models 33, 33S								
BACKHOE DIPPER		2pc		P-U-9	2	4	JIC-G32299	71.36
				I-U-1	2		JIC-D42876	26.58
BACKHOE DIPPER EXT		2pc		N-N-9		4	JIC-G33239	39.29
		2pc		P-UB-9	1-3/4	3-1/2	JIC-G105529	57.44
		2pc		P-UB-9	1-1/2	3	JIC-G105512	71.71
				I-U-1	1-3/4		JIC-D42873	28.89
BACKHOE STABILIZER		2pc		N-N-9		3-1/2	JIC-G33237	36.03
		2pc		P-U-9	1-3/4	3-1/2	JIC-G105518	61.26
		2pc		P-UB-9	1-3/4	3-1/2	JIC-G105529	57.44
				I-U-1	1-3/4		JIC-D42873	28.89
BACKHOE SWING		2pc		N-N-9		3-1/2	JIC-G33237	36.03
		2pc		P-UB-9	1-3/4	4	JIC-G105519	68.42
				I-U-1	1-3/4		JIC-D42875	22.36
LOADER CLAM		2pc		N-N-9		4	JIC-G33239	39.29
LOADER GRAPPLE		2pc		P-UB-9	1-3/4	3	JIC-G105524	79.02
				P-U-9	1-1/2	2-1/2	JIC-G32294	49.41
				I-U-1	1-1/2		JIC-D42869	28.34
LOADER HYDRA-LEVELING		2pc		N-N-9		2-1/2	JIC-G33193	31.75
		2pc		P-UB-9	1-3/4	3	JIC-G105524	79.02
				I-U-1	1-3/4		JIC-D42872	21.09
LOADER LIFT		2pc		N-N-9		3	JIC-G33151	32.54
		2pc		P-UB-9	1-1/2	3	JIC-G105512	71.71
				I-U-1	1-1/2		JIC-D42870	28.15
LOADER TILT		2pc		N-N-9		3	JIC-G33151	32.54
		2pc		P-U-9	1-1/2	2-1/2	JIC-G32294	49.41
				I-U-1	1-1/2		JIC-D42869	28.34
		2pc		N-N-9		2-1/2	JIC-G33193	31.75
MODEL 580C Construction King								
3-PT HITCH LIFT	G101189	1pc		P-UB-10	1-1/2	3	JIC-G105548	53.70
	G33456	2pc		P-UB-9	1-1/2	3	JIC-G105512	71.71
3-PT HITCH PITCH	G33128			P-UB-10	1-1/4	2-1/2	JIC-G105507	36.25
3-PT HITCH TILT	G101188	1pc		P-UB-10	1-1/4	2-1/2	JIC-G105551	45.67
	G33351	2pc		P-U-9	1-1/4	2-1/2	JIC-G32295	62.09
BACKHOE BOOM	G101177	1pc		P-UB-10	1-3/4	3-1/4	JIC-G105547	61.73
	G33881	2pc		P-UB-8	1-3/4	3-1/4	JIC-G105528	65.76
BACKHOE BUCKET	G101176			P-UB-10	2	3-1/2	JIC-G105546	64.53
	G33196	2pc		P-UB-9	2	3-1/2	JIC-G105527	72.13
BACKHOE DIPPER	G101175	1pc		P-UB-10	2	4	JIC-G105545	72.95
	G32079	2pc		P-U-9	2	4	JIC-G34594	73.70
BACKHOE DIPPER EXT	G101183	1pc		P-UB-10	1-1/2	3	JIC-G105548	53.70
	G33142	2pc		P-UB-9	1-1/2	3	JIC-G105512	71.71
BACKHOE STABILIZER LH	G101181	1pc		P-UB-10	2	4	JIC-G105545	72.95
	G34471	2pc		P-U-9	2	4	JIC-G34594	73.70
BACKHOE STABILIZER RH	G101180	1pc		P-UB-10	2	4	JIC-G105545	72.95
	G34470	2pc		P-U-9	2	4	JIC-G34594	73.70
BACKHOE SWING	G101182	1pc		P-UB-10	2	4	JIC-G105545	72.95
	G102525	1pc	5411088-	P-UB-10	2	4	JIC-G105545	72.95
	G34881	2pc		P-U-9	2	4	JIC-G34594	73.70
LOADER BUCKET LH	G33421	2pc		P-U-9	1-1/2	2-1/2	JIC-G32294	49.41
LOADER BUCKET RH	G33420	2pc		P-U-9	1-1/2	2-1/2	JIC-G32294	49.41
LOADER BUCKET TILT LH	G101187	1pc		P-UB-10	1-1/2	2-1/2	JIC-G105550	40.30
LOADER BUCKET TILT RH	G101186	1pc		P-UB-10	1-1/2	2-1/2	JIC-G105550	40.30
LOADER CLAM LH	G101191	1pc		P-UB-10	1-3/4	3	JIC-G105549	68.33
	G33799	2pc		P-UB-9	1-3/4	3	JIC-G105524	79.02
LOADER CLAM RH	G101190	1pc		P-UB-10	1-3/4	3	JIC-G105549	68.33

CASE

CASE

Replacement Kits For

Backhoe Loaders								
APPLICATION	CYL #	Piston	SERIAL #	CODE	ROD	BORE	KIT #	List \$
MODEL 580C Construction King								
LOADER CLAM RH	G33798	2pc		P-UB-9	1-3/4	3	JIC-G105524	79.02
LOADER GRAPPLE	G101251	1pc		P-UB-10	1-1/2	2-1/2	JIC-G105550	40.30
	G34293	2pc		P-U-9	1-1/2	2-1/2	JIC-G32294	49.41
LOADER LIFT	G101184	1pc		P-UB-10	1-3/4	3	JIC-G105549	68.33
LOADER LIFT LH	G100414	2pc		P-UB-9	1-3/4	3	JIC-G105524	79.02
LOADER LIFT RH	G100415	2pc		P-UB-9	1-3/4	3	JIC-G105524	79.02
MODEL 580L								
3-PT HITCH LIFT	137512A1	1pc		P-UB-10	1-1/2	3	JIC-1543256C1	54.67
	137912A1	1pc		P-U-10	1-1/4	2-1/2	JIC-183286A1	62.95
	196832A1	1pc		P-UB-10	1-1/2	3	JIC-1543256C1	54.67
3-PT HITCH PITCH	138235A1	1pc		P-U-10	1-1/4	2-1/2	JIC-183286A1	62.95
BACKHOE BOOM	182106A1	1pc		P-UB-10,12	2-1/4	4-1/2	JIC-182218A1	123.07
BACKHOE BUCKET	128760A1	1pc		P-UB-10	2-1/4	3-1/4	JIC-131750A2	85.48
BACKHOE DIPPER	175774A1	1pc		P-UB-10,12	2-1/4	4-1/4	JIC-234844A1	127.73
	233114A1	1pc		P-UB-10,12	2-1/4	4-1/4	JIC-234844A1	127.73
BACKHOE DIPPER EXT	1340970C2	1pc		P-UB-10	1-3/4	3	JIC-1543267C1	67.57
BACKHOE STABILIZER	143574A1	1pc		P-UB-10	2	4	JIC-1543269C1	84.21
	143575A1	1pc		P-UB-10	2	4	JIC-1543269C1	84.21
	195503A1	1pc		P-UB-10	2	4	JIC-1543269C1	84.21
	195504A1	1pc		P-UB-10	2	4	JIC-1543269C1	84.21
BACKHOE SWING	139808A1	1pc		P-UB-10	2	4	JIC-122535A1	136.22
	139808A2	1pc		P-UB-10	2	4	JIC-122535A1	136.22
	188027A1	1pc		P-UB-10,12	2	3-3/4	JIC-191747A1	130.75
LOADER BUCKET	175238A1	1pc		P-UB-10	1-1/2	2-3/4	JIC-175251A1	133.61
LOADER CLAM	1346189C1	1pc		P-UB-10	1-3/4	3	JIC-1543267C1	67.57
LOADER LIFT	131417A1	1pc		P-UB-10	1-3/4	3	JIC-1543267C1	67.57
MODEL 580M								
BACKHOE BOOM	189653A2		02/08-	P-UB-10,12	2-1/4	4-1/2	JIC-182218A1	123.07
BACKHOE BUCKET	128760A1		02/08-	P-UB-10	2-1/4	3-1/4	JIC-131750A2	85.48
BACKHOE DIPPER	233114A2		02/08-	P-UB-10,12	2-1/4	4-1/4	JIC-234844A1	127.73
BACKHOE EXTENDABLE DIPPER	1340969C2		02/08-	P-UB-10	1-3/4	3	JIC-1543267C1	67.57
BACKHOE STABILIZER LH	195503A1		02/08-	P-UB-10	2	4	JIC-1543269C1	84.21
BACKHOE STABILIZER RH	195503A1		02/08-	P-UB-10	2	4	JIC-1543269C1	84.21
BACKHOE SWING	188027A2		02/08-	P-UB-10,12	2	3-3/4	JIC-191747A1	130.75
LOADER BUCKET	113133A2			P-UB-10	1-1/2	3	JIC-1543256C1	54.67
	87609669		02/08-	P-UB-10	1-1/2	3	JIC-1543256C1	54.67
LOADER CLAM	1346189C1			P-UB-10	1-3/4	3	JIC-1543267C1	67.57
LOADER CLAM LH	87454016		02/08-	P-UB-10	1-3/4	3	JIC-1543267C1	67.57
LOADER CLAM RH	87454017		02/08-	P-UB-10	1-3/4	3	JIC-1543267C1	67.57
LOADER LIFT	384240A1		02/08-	P-UB-10	1-3/4	3-1/4	JIC-1543260C1	69.14
MODEL 580N (Brazil)								
BACKHOE BUCKET	84421594			P-UB-12,14	2-1/4	3-1/4	JIC-84259224	129.18
BACKHOE EXTENDABLE DIPPER	84421678			P-UB-10	1-3/4	3	JIC-86982377	53.48
BACKHOE STABILIZER LH	84421604			P-UB-14	2-1/4	4-1/4	JIC-84259226	130.26
BACKHOE STABILIZER RH	84421603			P-UB-14	2-1/4	4-1/4	JIC-84259226	130.26
BACKHOE SWING	84426789			P-UB-10,12	2	3-3/4	JIC-191747A1	130.75
LOADER 4-IN-1 LH	87454016			P-UB-10	1-3/4	3	JIC-1543267C1	67.57
LOADER 4-IN-1 RH	87454017			P-UB-10	1-3/4	3	JIC-1543267C1	67.57
LOADER BUCKET	84421600			P-UB-10	1-1/2	3	JIC-1543256C1	54.67
LOADER LIFT	84421597			P-UB-12,14	1-3/4	3-1/4	JIC-84257323	109.80
STEERING	401055A1			I-U-10	36 mm	63 mm	JIC-401061A1	86.80
MODEL 580N Tier 3								
BACKHOE DIPPER	84290402			P-UB-12,14	2-1/4	4-1/4	JIC-84259221	104.50
BACKHOE STABILIZER LH	84210937			P-UB-14	2-1/4	4-1/4	JIC-84259226	130.26

CASE

CASE

Replacement Kits For

Backhoe Loaders								
APPLICATION	CYL #	Piston	SERIAL #	CODE	ROD	BORE	KIT #	List \$
MODEL 580N Tier 3								
BACKHOE STABILIZER RH	84210946			P-UB-14	2-1/4	4-1/4	JIC-84259226	130.26
BACKHOE SWING	188027A2			P-UB-10,12	2	3-3/4	JIC-191747A1	130.75
LOADER 4-IN-1 LH	87454016			P-UB-10	1-3/4	3	JIC-1543267C1	67.57
LOADER 4-IN-1 RH	87454017			P-UB-10	1-3/4	3	JIC-1543267C1	67.57
LOADER BUCKET	84224079			P-UB-14	1-1/2	3	JIC-84257788	73.73
LOADER LIFT	84210939			P-UB-14	1-3/4	3-1/4	JIC-84257765	77.12
STEERING	84264405			I-U-10	36 mm	63 mm	JIC-84330972	87.40
MODEL 580N Tier 4								
BACKHOE (W/O EXTENDABLE DIPPER)	84421678			P-UB-10	1-3/4	3	JIC-86982377	53.48
BACKHOE STABILIZER LH	84421604			P-UB-14	2-1/4	4-1/4	JIC-84259226	130.26
BACKHOE STABILIZER RH	84421603			P-UB-14	2-1/4	4-1/4	JIC-84259226	130.26
BACKHOE SWING	84426789			P-UB-10,12	2	3-3/4	JIC-84172816	73.32
BOOM	84421585			P-UB-12,14	2-1/4	4-1/2	JIC-84259218	137.39
	84551146			P-UB-12,14	2-1/4	4-1/2	JIC-84259218	137.39
BUCKET	84421594			P-UB-12,14	2-1/4	3-1/4	JIC-84259224	129.18
CLAM LH	87455458			P-UB-10	1-3/4	3	JIC-86982377	53.48
CLAM RH	87455459			P-UB-10	1-3/4	3	JIC-86982377	53.48
DIPPER	47458137			P-UB-12,14	2-1/4	4-1/4	JIC-84259221	104.50
	84421590			P-UB-12,14	2-1/4	4-1/4	JIC-84259221	104.50
EXTENDABLE DIPPER	84421678			P-UB-10	1-3/4	3	JIC-86982377	53.48
LIFT	84421597			P-UB-14	1-3/4	3-1/4	JIC-84257765	77.12
LOADER BUCKET	84421600			P-UB-14	1-1/2	3	JIC-84257788	73.73
LOADER BUCKET 4-IN-1 LH	87455458			P-UB-10	1-3/4	3	JIC-86982377	53.48
LOADER BUCKET 4-IN-1 RH	87455459			P-UB-10	1-3/4	3	JIC-86982377	53.48
STEERING	84264405			I-U-10	36 mm	63 mm	JIC-84330972	87.40
STEERING-2WD	401055A1			I-U-10	36 mm	63 mm	JIC-401061A1	86.80
MODEL 590 Super L								
BACKHOE BOOM	175785A1	1pc		P-UB-10	2-1/2	5-1/2	JIC-1980412C2	265.88
BACKHOE BUCKET	1986902C2	1pc		P-UB-10	2-1/2	3-1/2	JIC-1542923C2	87.25
	238435A1	1pc		P-UB-10	2-1/2	3-1/2	JIC-1542923C2	87.25
BACKHOE DIPPER	140965A1	1pc		P-UB-10,12	2-3/4	5-1/2	JIC-179011A1	191.15
BACKHOE DIPPER EXT	1340853C2	1pc		P-UB-10	1-3/4	3	JIC-1543267C1	67.57
BACKHOE STABILIZER	177256A1	1pc		P-UB-10	2-1/4	5	JIC-1543289C2	106.42
	177257A1	1pc		P-UB-10	2-1/4	5	JIC-1543289C2	106.42
BACKHOE SWING	139808A1	1pc		P-UB-10	2	4	JIC-122535A1	136.22
LOADER BUCKET	113133A2	1pc		P-UB-10	1-1/2	3	JIC-1543256C1	54.67
LOADER CLAM	1346189C1	1pc		P-UB-10	1-3/4	3	JIC-1543267C1	67.57
	1346190C1	1pc		P-UB-10	1-3/4	3	JIC-1543267C1	67.57
LOADER LIFT	133936A1	1pc		P-UB-10	1-3/4	3-1/2	JIC-1543266C1	68.84
MODEL 590 Super M								
BACKHOE BOOM	175785A1			P-UB-10	2-1/2	5-1/2	JIC-1980412C2	265.88
BACKHOE BUCKET	296434A1			P-UB-10	2-3/4	3-3/4	JIC-297895A1	95.61
BACKHOE DIPPER	140965A1			P-UB-10,12	2-3/4	5-1/2	JIC-179011A1	191.15
BACKHOE EXT. DIPPER	1340853C1			P-UB-10	1-3/4	3	JIC-1543267C1	67.57
BACKHOE SWING	139808A2			P-UB-10	2	4	JIC-122535A1	136.22
LOADER BUCKET	255756A1			P-UB-10	1-3/4	3-1/4	JIC-1543260C1	69.14
LOADER CLAM	1346189C1			P-UB-10	1-3/4	3	JIC-1543267C1	67.57
	1346190C1			P-UB-10	1-3/4	3	JIC-1543267C1	67.57
LOADER LIFT	133936A1			P-UB-10	1-3/4	3-1/2	JIC-1543266C1	68.84
STEERING	1986518C2			P-U-10	1-1/2	2-3/4	JIC-G110045	86.22
MODEL 590 Super M SERIES 3								
BACKHOE BOOM	175785A1		02/08-	I-UB-10	2-1/2	5-1/2	JIC-87367429	191.14
BACKHOE BUCKET	296434A1		02/08-	P-UB-10	2-3/4	3-3/4	JIC-297895A1	95.61
BACKHOE DIPPER	1340853C2		02/08-	P-UB-10	1-3/4	3	JIC-1543267C1	67.57

CASE

Replacement Kits For

CASE

Backhoe Loaders								
APPLICATION	CYL #	Piston	SERIAL #	CODE	ROD	BORE	KIT #	List \$
MODEL 590 Super M SERIES 3								
BACKHOE DIPPER	140965A1		02/08-	P-UB-10,12	2-3/4	5-1/2	JIC-87367212	164.49
BACKHOE STABILIZER LH	177257A1		02/08-	P-UB-10	2-1/4	5	JIC-84154317	89.09
BACKHOE STABILIZER RH	177256A1		02/08-	P-UB-10	2-1/4	5	JIC-84154317	89.09
BACKHOE SWING	139808A2		02/08-	P-UB-10	2	4	JIC-122535A1	136.22
LOADER BUCKET	255756A1		02/08-	P-UB-10	1-3/4	3-1/4	JIC-1543260C1	69.14
LOADER CLAM LH	87454016		02/08-	P-UB-10	1-3/4	3	JIC-1543267C1	67.57
LOADER CLAM RH	87454017		02/08-	P-UB-10	1-3/4	3	JIC-1543267C1	67.57
LOADER LIFT	133936A1		02/08-	P-UB-10	1-3/4	3-1/2	JIC-1543266C1	68.84
MODEL 590 Super N Tier 3								
BACKHOE BOOM	84210930			P-UB-12,14	2-3/4	5-1/2	JIC-84259220	170.32
BACKHOE BUCKET	84210936			P-UB-12,14	2-1/2	3-1/2	JIC-84259225	110.53
BACKHOE DIPPER	84302994			P-UB-12,14	2-3/4	5-1/4	JIC-84259223	276.96
BACKHOE EXTENDABLE DIPPER	84182292			P-UB-10	1-3/4	3	JIC-86982377	53.48
BACKHOE STABILIZER LH	84212184			P-UB-14	2-1/2	5-1/4	JIC-84259228	142.90
	84212184			Wear Ring		2-5/8	JIC-G102427	15.45
BACKHOE STABILIZER RH	84210948			P-UB-14	2-1/2	5-1/4	JIC-84259228	142.90
	84210948			Wear Ring		2-5/8	JIC-G102427	15.45
BACKHOE SWING	139808A2			P-UB-10	2	4	JIC-122535A1	136.22
LOADER 4-IN-1	87454017			P-UB-10	1-3/4	3	JIC-1543267C1	67.57
LOADER LIFT	84210940			P-UB-12,14	1-7/8	3-1/2	JIC-84258339	122.10
STEERING	401055A1			I-U-10	36 mm	63 mm	JIC-401061A1	86.80
MODEL 590 Super N Tier 4								
BACKHOE (W/O EXTENDABLE DIPPER)	84421679			P-UB-10	1-3/4	3	JIC-86982377	53.48
BACKHOE STABILIZER	84421609			P-UB-14	2-1/2	5-1/4	JIC-84259228	142.90
BACKHOE SWING	84428583			P-UB-10	2	4	JIC-122535A1	136.22
BOOM	84421589			P-UB-12,14	2-3/4	5-1/2	JIC-84259220	170.32
BUCKET	84421596			P-UB-12,14	2-1/2	3-1/2	JIC-84259225	110.53
	84421602			P-UB-12,14	1-3/4	3-1/4	JIC-84257323	109.80
CLAM LH	87455458			P-UB-10	1-3/4	3	JIC-86982377	53.48
CLAM RH	87455459			P-UB-10	1-3/4	3	JIC-86982377	53.48
DIPPER	84420672			P-UB-12,14	2-3/4	5-1/4	JIC-84259223	276.96
EXTENDABLE DIPPER	84421679			P-UB-10	1-3/4	3	JIC-86982377	53.48
LIFT	84421599			P-UB-12,14	1-7/8	3-1/2	JIC-84258339	122.10
LOADER BUCKET 4-IN-1 LH	87455458			P-UB-10	1-3/4	3	JIC-86982377	53.48
LOADER BUCKET 4-IN-1 RH	87455459			P-UB-10	1-3/4	3	JIC-86982377	53.48
STEERING	84264405			I-U-10	36 mm	63 mm	JIC-84330972	87.40
STEERING-4WD	84264406			I-U-10	40 mm	70 mm	JIC-84331720	151.57
MODEL 590SR Super R								
BACKHOE EXTENSION	87412686		1/04-	P-UB-10	2	2-3/4	JIC-87428866	46.46
BOOM	85820245		1/04-	P-UB-10,12	2-1/2	135 mm	JIC-87428634	259.26
	87412698		1/04-	P-UB-10,12	2-1/2	135 mm	JIC-87428874	212.89
BUCKET	87412691		1/04-	P-UB-10	2-1/2	90 mm	JIC-87428869	83.61
CLAM SHELL	85820005		1/04-	I-U-15	45 mm	80 mm	JIC-85824250	82.33
DIPPER	85820244		1/04-	P-UB-10	63 mm	4-1/2	JIC-85819350	213.72
	87412696		1/04-, After 13 Feb 2008	P-UB-10	2-1/2	4-1/2	JIC-87633295	141.43
LOADER LIFT	87429845		1/04-	P-UB-10	2	3-1/2	JIC-87432407	60.55
LOADER TILT	87429582		1/04-	P-UB-10	1-3/4	3-1/4	JIC-87432412	62.94
STABILIZER (SIDESHIFT)	87412685		1/04-	P-UB-10	2	2-3/4	JIC-87428866	46.46
SWING	87424832		1/04-, -N5GH02283	P-UB-10	2	110 mm	JIC-87445307-NP	85.53
	87450927		1/04-, N5GH002284-	P-UB-10	2	110 mm	JIC-87445307-NP	85.53
MODEL 590SR Super R Tier 2								
BACKHOE	87327257		3/05-	P-UB-10	1-3/4	3	JIC-87342131	53.11
BOOM	87412698		3/05-	P-UB-10,12	2-1/2	135 mm	JIC-87428874	212.89

CASE

Replacement Kits For

CASE

Backhoe Loaders								
APPLICATION	CYL #	Piston	SERIAL #	CODE	ROD	BORE	KIT #	List \$
MODEL 590SR Super R Tier 2								
BUCKET	235916A1		3/05-	P-UB-10	2-1/2	3-1/2	JIC-1542923C2	87.25
CLAMSHELL	87573861		3/05-	I-U-15	45 mm	80 mm	JIC-87573868	82.33
DIPPER	87412696		3/05-, After 13 Feb 2008	P-UB-10	2-1/2	4-1/2	JIC-87633295	141.43
EXTENSION	87412686		3/05-	P-UB-10	2	2-3/4	JIC-87428866	46.46
LOADER LIFT	87429845		3/05-	P-UB-10	2	3-1/2	JIC-87432407	60.55
LOADER TILT	87307299		3/05-	P-UB-10	1-3/4	3-1/4	JIC-87432412	62.94
	87429582		3/05-	P-UB-10	1-3/4	3-1/4	JIC-87432412	62.94
STABILIZER (SIDESHIFT)	87412685		3/05-	P-UB-10	2	2-3/4	JIC-87428866	46.46
	87574187		3/05-	P-UB-10	2	2-3/4	JIC-87428620	50.80
SWING	87450927		3/05-	P-UB-10	2	110 mm	JIC-87428631	97.12
MODEL 590SR Super R Tier 3								
BACKHOE EXTENSION	87327257		2/07-	P-UB-10	1-3/4	3	JIC-87342131	53.11
	87327257		2008-	P-UB-10	1-3/4	3	JIC-87342131	53.11
BOOM	87412698		2/07-	P-UB-10,12	2-1/2	135 mm	JIC-87428874	212.89
	87412698		2008-	P-UB-10,12	2-1/2	135 mm	JIC-87428874	212.89
BUCKET	235916A1		2/07-	P-UB-10	2-1/2	3-1/2	JIC-1542923C2	87.25
	235916A1		2008-	P-UB-10	2-1/2	3-1/2	JIC-1542923C2	87.25
CLAMSHELL	87573861		2/07-	I-U-15	45 mm	80 mm	JIC-87573868	82.33
	87573861		2008-	I-U-15	45 mm	80 mm	JIC-87573868	82.33
DIPPER	87412696		2/07-, After 13 Feb 2008	P-UB-10	2-1/2	4-1/2	JIC-87633295	141.43
	87412696		2008-, After 13 Feb 2008	P-UB-10	2-1/2	4-1/2	JIC-87633295	141.43
LOADER LIFT	87429845		2/07-	P-UB-10	2	3-1/2	JIC-87432407	60.55
	87585103		2008-	P-UB-10	2	3-3/4	JIC-87651309	71.12
LOADER TILT	87307299		2/07-	P-UB-10	1-3/4	3-1/4	JIC-87432412	62.94
	87307299		2008-	P-UB-10	1-3/4	3-1/4	JIC-87432412	62.94
STABILIZER (CENTRE PIVOT)	84209919		2008-	P-UB-14	2-1/4	4	JIC-84209920	111.20
STABILIZER (SIDESHIFT)	87574187		2/07-	P-UB-10	2	2-3/4	JIC-87608671	57.02
	87627940		2008-	P-UB-10	2	3	JIC-87653283	46.71
SWING	87450927		2/07-	P-UB-10	2	110 mm	JIC-87428631	97.12
	87450927		2008-	P-UB-10	2	110 mm	JIC-87428631	97.12
MODEL 680								
3-PT HITCH PITCH		1pc	ALL	P-UB-10	1-1/4	2-1/2	JIC-G110055	68.86
BACKHOE BOOM				P-U-1	2-1/4		JIC-D42878	25.66
		2pc		N-N-9		4-1/2	JIC-DTVS4.5P	71.86
BACKHOE BUCKET				I-U-1	2-1/4		JIC-D42877	20.89
		2pc		N-N-9		4	JIC-G33239	39.29
BACKHOE DIPPER				P-U-1	2-1/4		JIC-D42878	25.66
		2pc		N-N-9		4-1/2	JIC-DTVS4.5P	71.86
BACKHOE STABILIZER				I-U-1	1-3/4		JIC-D42873	28.89
		2pc		N-N-9		3-1/2	JIC-G33237	36.03
BACKHOE SWING				I-U-1	1-3/4		JIC-D42875	22.36
		2pc		N-N-9		4	JIC-G33239	39.29
LOADER TILT				I-U-1	1-3/4		JIC-D42873	28.89
		2pc		N-N-9		3-1/2	JIC-G33237	36.03
Crawler Dozers								
APPLICATION	CYL #	Piston	SERIAL #	CODE	ROD	BORE	KIT #	List \$
MODEL 750K - Series 2 Tier 2								
ANGLE	412359A1			P-UB-10	1-3/4	3-1/2	JIC-250741A1	88.32
LIFT	417854A1			P-UB-10	1-3/4	3-1/2	JIC-1543266C1	68.84
RIPPER LH	86994131			P-UB-10	1-3/4	3-1/4	JIC-1543265C1	69.14
RIPPER RH	86994129			P-UB-10	1-3/4	3-1/4	JIC-1543265C1	69.14
TILT	412357A1			P-UB-10	1-3/4	3-1/2	JIC-1543266C1	68.84

CASE

CASE

Replacement Kits For

Crawler Dozers								
APPLICATION	CYL #	Piston	SERIAL #	CODE	ROD	BORE	KIT #	List \$
MODEL 750K - Series 3 Tier 2								
ANGLE	84135900			P-U-10	1-3/4	3-1/2	JIC-84157290	78.80
	87615546			P-UB-10	1-3/4	3-1/2	JIC-250741A1	88.32
LIFT	417854A1			P-UB-10	1-3/4	3-1/2	JIC-1543266C1	68.84
RIPPER LH	86994131			P-UB-10	1-3/4	3-1/4	JIC-1543265C1	69.14
RIPPER RH	86994129			P-UB-10	1-3/4	3-1/4	JIC-1543265C1	69.14
TILT	412357A1			P-UB-10	1-3/4	3-1/2	JIC-1543266C1	68.84
MODEL 750K								
ANGLE	412359A1			P-UB-10	1-3/4	3-1/2	JIC-250741A1	88.32
LIFT	417854A1			P-UB-10	1-3/4	3-1/2	JIC-1543266C1	68.84
RIPPER LH	86994131			P-UB-10	1-3/4	3-1/4	JIC-1543265C1	69.14
RIPPER RH	86994129			P-UB-10	1-3/4	3-1/4	JIC-1543265C1	69.14
TILT	412357A1			P-UB-10	1-3/4	3-1/2	JIC-1543266C1	68.84
MODEL 750L								
ANGLE	84135900			P-U-10	1-3/4	3-1/2	JIC-84157290	78.80
	87615546			P-UB-10	1-3/4	3-1/2	JIC-250741A1	88.32
LIFT	417854A1			P-UB-10	1-3/4	3-1/2	JIC-1543266C1	68.84
RIPPER LH	86994131			P-UB-10	1-3/4	3-1/4	JIC-1543265C1	69.14
RIPPER RH	86994129			P-UB-10	1-3/4	3-1/4	JIC-1543265C1	69.14
TILT	412357A1			P-UB-10	1-3/4	3-1/2	JIC-1543266C1	68.84
MODEL 850L								
ANGLE	84135900			P-U-10	1-3/4	3-1/2	JIC-84157290	78.80
	87615546			P-UB-10	1-3/4	3-1/2	JIC-250741A1	88.32
LIFT	417854A1			P-UB-10	1-3/4	3-1/2	JIC-1543266C1	68.84
RIPPER LH	86994131			P-UB-10	1-3/4	3-1/4	JIC-1543265C1	69.14
RIPPER RH	86994129			P-UB-10	1-3/4	3-1/4	JIC-1543265C1	69.14
TILT	412357A1			P-UB-10	1-3/4	3-1/2	JIC-1543266C1	68.84
MODEL 1150K								
ANGLE	87340255			P-UB-10	2-1/2	5	JIC-87342178	96.81
LIFT	87340259			P-UB-10	2	4-1/4	JIC-1543275C1	88.94
RIPPER LH 101.4mm	87517745			P-UB-10	2	4	JIC-1543273C1	88.38
RIPPER LH 101.6mm	87651120			P-UB-10	2	4	JIC-87672315	41.18
RIPPER RH 101.4mm	87517747			P-UB-10	2	4	JIC-1543273C1	88.38
RIPPER RH 101.6mm	87651090			P-UB-10	2	4	JIC-87672315	41.18
TILT	87377322			P-UB-10	2-1/2	5	JIC-84154316	82.47
MODEL 1650K - Tier 1								
ANGLE	76066278			P-UB-1	50 mm		JIC-76066272	98.24
	76066278			N-N-10		100 mm	JIC-76066271	42.48
LIFT				P-UB-1	50 mm		JIC-76066272	98.24
				N-N-10		90 mm	JIC-76066282	32.99
RIPPER LGP	76031556			P-UB-15	60 mm	120 mm	JIC-76031570	87.70
RIPPER LT XLT BD	76031593			P-UB-15	70 mm	125 mm	JIC-76031598	80.71
TILT	76066260			P-UB-1	63 mm		JIC-76066270	92.25
	76066260			N-N-10		125 mm	JIC-76066269	46.12
MODEL 1650K - Tier 2								
ANGLE version 1 & 2	76066278			P-UB-1	50 mm		JIC-76066272	98.24
	76066278			N-N-10		100 mm	JIC-76066271	42.48
ANGLE version 3	76073159			P-UB-1	55 mm		JIC-76073157	67.01
	76073159			N-N-10		110 mm	JIC-76073156	48.41
LIFT	76076602			P-UB-1	50 mm		JIC-76066272	98.24
	76076602			N-N-10		90 mm	JIC-76066282	32.99
	76076604			P-UB-1	50 mm		JIC-76066272	98.24
	76076604			N-N-10		90 mm	JIC-76066282	32.99
RIPPER version 1, 2, & 4	76092179			P-UB-15	70 mm	125 mm	JIC-76031598	80.71
RIPPER version 3	76031556			P-UB-15	60 mm	120 mm	JIC-76031570	87.70
TILT	76066260			P-UB-1	63 mm		JIC-76066270	92.25

CASE

Replacement Kits For

CASE

CASE

Crawler Dozers								
APPLICATION	CYL #	Piston	SERIAL #	CODE	ROD	BORE	KIT #	List \$
MODEL 1650K - Tier 2								
TILT	76066260			N-N-10		125 mm	JIC-76066269	46.12
	76087993			N-N-10		125 mm	JIC-79099850	50.48
	76087993			P-UB-1	63 mm		JIC-79071464	52.60
	76087993			N-N-10		125 mm	JIC-79099850	50.48
MODEL 1650L								
ANGLE LGP	76093425			P-UB-1	55 mm		JIC-76073157	67.01
	76093425			N-N-10		110 mm	JIC-76073156	48.41
ANGLE LT & XLT	76092195			P-UB-1	50 mm		JIC-76066272	98.24
	76092195			N-N-10		100 mm	JIC-76066271	42.48
LIFT	87589213			P-UB-1	50 mm		JIC-76066272	98.24
	87589213			N-N-10		90 mm	JIC-76066282	32.99
RIPPER LH	87651120			P-UB-10	2	4	JIC-87672315	41.18
RIPPER RH	87651090			P-UB-10	2	4	JIC-87672315	41.18
TILT	76092197			P-UB-1	63 mm		JIC-76066270	92.25
	76092197			N-N-10		125 mm	JIC-76066269	46.12
TILT BD	76041029			P-UB-10	63 mm	125 mm	JIC-76053661	104.20
MODEL 1850K - Tier 1								
ANGLE	76041964			P-UB-1	63 mm		JIC-79071464	52.60
LIFT LH	71470771			P-UB-1	60 mm		JIC-71452371	122.12
	71470771			N-N-10		95 mm	JIC-71470760	79.77
LIFT RH	71470778			P-UB-1	60 mm		JIC-71452371	122.12
	71470778			N-N-10		95 mm	JIC-71470760	79.77
RIPPER	71446490			P-UB-1	56 mm		JIC-79071472	51.00
	71446490			N-N-10		100 mm	JIC-79099829	21.93
	71446493			P-UB-1	56 mm		JIC-79071472	51.00
	71446493			N-N-10		100 mm	JIC-79099829	21.93
TILT	76046971			P-UB-1	70 mm		JIC-79071307	57.16
MODEL 1850K - Tier 2								
LIFT	71470071			P-UB-1	60 mm		JIC-71452371	122.12
	71470771			N-N-10		95 mm	JIC-71470760	79.77
	71470778			P-UB-1	60 mm		JIC-71452371	122.12
	71470778			N-N-10		95 mm	JIC-71470760	79.77
RIPPER	71446493			P-UB-1	56 mm		JIC-79071472	51.00
	71446493			N-N-10		100 mm	JIC-79099829	21.93
	71446494			P-UB-1	56 mm		JIC-79071472	51.00
	71446494			N-N-10		100 mm	JIC-79099829	21.93
TILT	76090663			P-UB-1	70 mm		JIC-79071307	57.16
MODEL 1850K - Tier 3								
ANGLE LT 6 WAY BLADE	87603249			P-UB-10	2-1/2	5-1/2	JIC-87731626	154.46
RIPPER	71446493			P-UB-1	56 mm		JIC-79071472	51.00
	71446493			N-N-10		100 mm	JIC-79099829	21.93
	71446494			P-UB-1	56 mm		JIC-79071472	51.00
TILT FRONT	76090663			P-UB-1	70 mm		JIC-79071307	57.16
TILT LT 6 WAY BLADE	87603253			P-UB-10	2-1/2	5-1/2	JIC-87731626	154.46
Crawler Dozers/Loaders								
APPLICATION	CYL #	Piston	SERIAL #	CODE	ROD	BORE	KIT #	List \$
MODEL 310E, 310F with Backhoe Model 31								
BACKHOE BOOM		2pc		P-U-9	2	4	JIC-G32616	68.63
				I-U-1	2		JIC-D42876	26.58
		2pc		N-N-9		4	JIC-G33239	39.29
BACKHOE BUCKET		2pc		P-U-9	1-3/4	3-1/2	JIC-G105518	61.26
				I-U-1	1-3/4		JIC-D42873	28.89
		2pc		N-N-9		3-1/2	JIC-G33237	36.03
BACKHOE DIPPER		2pc		P-UB-9	2	4	JIC-G105526	75.49
				I-U-1	2		JIC-D42876	26.58

Replacement Kits For

CASE

Crawler Dozers/Loaders								
APPLICATION	CYL #	Piston	SERIAL #	CODE	ROD	BORE	KIT #	List \$
MODEL 310E, 310F with Backhoe Model 31								
BACKHOE DIPPER		2pc		N-N-9		4	JIC-G33239	39.29
BACKHOE STABILIZER				I-U-1	1-3/4		JIC-D42873	28.89
		2pc		N-N-9		3-1/2	JIC-G33237	36.03
BACKHOE SWING		2pc		N-N-9		4	JIC-G33239	39.29
			2019001-3023000	I-U-1	1-3/4		JIC-D42875	22.36
DOZER ANGLING				I-U-1	1-3/4		JIC-D42873	28.89
		2pc		N-N-9		3-1/2	JIC-G33237	36.03
DOZER LIFT				I-U-1	1-1/4		JIC-D42867	26.29
		2pc		N-N-9		2-1/2	JIC-G33193	31.75
DOZER TILT				I-U-1	1-1/4		JIC-D42867	26.29
		2pc		N-N-9		2-1/2	JIC-G33193	31.75
LOADER LIFT				I-U-1	1-3/4		JIC-D42873	28.89
		2pc		N-N-9		3-1/2	JIC-G33237	36.03
LOADER TILT				I-U-1	1-1/4		JIC-D42867	26.29
		2pc		N-N-9		2-1/2	JIC-G33193	31.75
SCARIFIER				I-U-1	1-1/2		JIC-D42870	28.15
		2pc		N-N-9		3	JIC-G33151	32.54
MODEL 420C								
BACKHOE BOOM				I-U-1	2		JIC-D42876	26.58
		2pc		N-N-9		4	JIC-G33239	39.29
BACKHOE BUCKET				I-U-1	1-3/4		JIC-D42873	28.89
		2pc		N-N-9		3-1/2	JIC-G33237	36.03
BACKHOE DIPPER				I-U-1	2		JIC-D42876	26.58
		2pc		N-N-9		4	JIC-G33239	39.29
BACKHOE STABILIZER				I-U-1	1-3/4		JIC-D42873	28.89
		2pc		N-N-9		3-1/2	JIC-G33237	36.03
DOZER ANGLING				I-U-1	1-3/4		JIC-D42873	28.89
		2pc		N-N-9		3-1/2	JIC-G33237	36.03
DOZER LIFT				I-U-1	1-1/4		JIC-D42867	26.29
		2pc		N-N-9		4	JIC-G33239	39.29
DOZER TILT				I-U-1	1-1/4		JIC-D42867	26.29
		2pc		N-N-9		4	JIC-G33239	39.29
LOADER LIFT				I-U-1	1-3/4		JIC-D42873	28.89
		2pc		N-N-9		3-1/2	JIC-G33237	36.03
LOADER TILT				I-U-1	1-1/4		JIC-D42867	26.29
		2pc		N-N-9		4	JIC-G33239	39.29
SCARIFIER				I-U-1	1-1/2		JIC-D42870	28.15
		2pc		N-N-9		4	JIC-G33239	39.29
MODEL 450 with Backhoe Models 26, 26B, 26C, 26S, 32, 33, 35								
BACKHOE BOOM		2pc		P-UB-9	1-3/4	3-1/2	JIC-G105529	57.44
		2pc		P-UB-9	2-1/4	4-1/2	JIC-G105520	121.38
		2pc		P-U-9	2	4	JIC-G32299	71.36
		2pc		P-U-9	2-1/4	4	JIC-G34636	82.37
		2pc		P-UB-9	2	4	JIC-G105517	75.58
		1pc		P-UB-10	1-3/4	3-1/4	JIC-G105547	61.73
		2pc		P-UB-8	1-3/4	3-1/4	JIC-G105528	65.76
		1pc		P-UB-10	2-1/4	4	JIC-G105556	69.78
				I-U-1	2		JIC-D42876	26.58
				P-U-1	2-1/4		JIC-D42878	25.66
				I-U-1	1-3/4		JIC-D42873	28.89
		2pc		N-N-9		4	JIC-G33239	39.29
		2pc		N-N-9		3-1/2	JIC-G33237	36.03
		2pc		N-N-9		4-1/2	JIC-DTVS4.5P	71.86
	BACKHOE BUCKET		2pc		P-UB-9	2	3-1/2	JIC-G105527
		2pc		P-U-9	2	3-1/2	JIC-G32293	55.36

CASE

CASE

Replacement Kits For

Crawler Dozers/Loaders								
APPLICATION	CYL #	Piston	SERIAL #	CODE	ROD	BORE	KIT #	List \$
MODEL 450 with Backhoe Models 26, 26B, 26C, 26S, 32, 33, 35								
BACKHOE BUCKET		2pc		P-UB-9	1-3/4	3	JIC-G105524	79.02
		1pc		P-UB-10	2	3-1/2	JIC-G105546	64.53
		1pc		P-UB-10	1-3/4	3	JIC-G105549	68.33
				I-U-1	1-3/4		JIC-D42873	28.89
				I-U-1	1-3/4		JIC-D42872	21.09
				I-U-1	2		JIC-D42874	22.47
BACKHOE DIPPER		2pc		N-N-9		3-1/2	JIC-G33237	36.03
		2pc		P-U-9	2	4	JIC-G32299	71.36
		1pc		P-UB-10	2	4	JIC-1543273C1	88.38
		2pc		P-UB-9	2	4	JIC-G105517	75.58
		1pc		P-UB-10	2	3-1/2	JIC-G105546	64.53
		2pc		P-U-9	2	3-1/2	JIC-G32293	55.36
		2pc		P-UB-9	2	3-1/2	JIC-G105527	72.13
				I-U-1	2		JIC-D42874	22.47
				I-U-1	2		JIC-D42876	26.58
		2pc		N-N-9		4	JIC-G33239	39.29
BACKHOE DIPPER EXT		2pc		N-N-9		3-1/2	JIC-G33237	36.03
		2pc		P-UB-9	1-1/2	3	JIC-G105512	71.71
		2pc		P-UB-9	1-3/4	3-1/2	JIC-G105529	57.44
		2pc		P-UB-10	1-1/2	3	JIC-G105548	53.70
		2pc		I-U-1	1-3/4		JIC-D42873	28.89
		2pc		N-N-9		3-1/2	JIC-G33237	36.03
BACKHOE STABILIZER		2pc		P-UB-9	1-3/4	3-1/2	JIC-G105529	57.44
		1pc		P-UB-10	2	4	JIC-1543273C1	88.38
		2pc		P-UB-9	1-3/4	3	JIC-G105524	79.02
		2pc		P-UB-9	2	4	JIC-G105517	75.58
		2pc		P-U-9	1-3/4	3-1/2	JIC-G105518	61.26
				I-U-1	1-3/4		JIC-D42873	28.89
				I-U-1	1-3/4		JIC-D42872	21.09
				I-U-1	1-1/2		JIC-D42870	28.15
		2pc		N-N-9		3-1/2	JIC-G33237	36.03
		2pc		N-N-9		3	JIC-G33151	32.54
BACKHOE SWING		2pc		P-U-9	1-1/2	3-1/2	JIC-G34652	53.88
		2pc		P-UB-9	2	4	JIC-G105517	75.58
		1pc		P-UB-10	1-1/2	3-1/2	JIC-G105555	50.53
		1pc		P-UB-10	2	4	JIC-1543273C1	88.38
		2pc		P-UB-9	1-3/4	4	JIC-G105519	68.42
				I-U-1	1-3/4		JIC-D42875	22.36
				I-U-1	1-1/2		JIC-D47896	22.71
		2pc		N-N-9		4	JIC-G33239	39.29
		2pc		N-N-9		3-1/2	JIC-G33237	36.03
	DOZER ANGLING (Angle Dozer)		2pc		P-UB-9	1-1/2	2	JIC-G105503
		2pc		I-U-9	1-1/2	2	JIC-D37361	104.13
DOZER ANGLING (Angle Tilt Dozer)		2pc		P-UB-9	2	4	JIC-G105526	75.49
		1pc		P-UB-10	2	4	JIC-1543273C1	88.38
				I-U-1	2		JIC-D42876	26.58
		2pc		N-N-9		4	JIC-G33239	39.29
DOZER LIFT		1pc		P-UB-10	1-1/4	2-1/2	JIC-G105551	45.67
		2pc		P-U-9	1-1/4	2-1/2	JIC-G32295	62.09
				I-U-1	1-1/4		JIC-D42867	26.29
DOZER TILT		2pc		N-N-9		2-1/2	JIC-G33193	31.75
		1pc		P-UB-10	2	3-1/2	JIC-G105546	64.53
	2pc		P-UB-9	2	3-1/2	JIC-G105521	62.91	

CASE

Replacement Kits For

CASE

Crawler Dozers/Loaders								
APPLICATION	CYL #	Piston	SERIAL #	CODE	ROD	BORE	KIT #	List \$
MODEL 450 with Backhoe Models 26, 26B, 26C, 26S, 32, 33, 35								
DOZER TILT		2pc		P-U-9	2	3-1/2	JIC-G34648	66.69
				I-U-1	2		JIC-D42874	22.47
		2pc		N-N-9		3-1/2	JIC-G33237	36.03
LOADER CLAM		1pc		P-UB-10	1-1/2	3	JIC-G105548	53.70
		2pc		P-UB-9	1-1/2	3	JIC-G105512	71.71
				I-U-1	1-1/2		JIC-D42870	28.15
LOADER HYDRA-LEVELING		2pc		N-N-9		3	JIC-G33151	32.54
		1pc		P-UB-10	1-3/4	3	JIC-G105549	68.33
		2pc		P-UB-9	1-3/4	3	JIC-G105524	79.02
LOADER LIFT				I-U-1	1-3/4		JIC-D42872	21.09
		2pc		N-N-9		3	JIC-G33151	32.54
		1pc		P-UB-10	2	3-1/2	JIC-G105546	64.53
LOADER TILT		2pc		P-U-9	2	3-1/2	JIC-G34648	66.69
		2pc		P-UB-9	2	3-1/2	JIC-G105521	62.91
				I-U-1	2		JIC-D42874	22.47
LOADER TILT		2pc		N-N-9		3-1/2	JIC-G33237	36.03
		1pc		P-UB-10	1-3/4	3	JIC-G105549	68.33
		2pc		P-UB-9	1-3/4	3	JIC-G105524	79.02
RIPPER		2pc		P-U-9	1-3/4	3	JIC-G34643	63.14
				I-U-1	1-3/4		JIC-D42872	21.09
		2pc		N-N-9		3	JIC-G33151	32.54
RIPPER		1pc		P-UB-10	1-1/2	3	JIC-G105548	53.70
		2pc		P-UB-9	1-1/2	3	JIC-G105512	71.71
				I-U-1	1-1/2		JIC-D42870	28.15
	2pc		N-N-9		3-1/2	JIC-G33237	36.03	
MODEL 550E								
ANGLE	140146A1			P-UB-10	2	4	JIC-1543273C1	88.38
LIFT	1542565C1			P-UB-10	1-1/2	2-1/2	JIC-1542764C2	70.76
RIPPER	G101230			P-UB-10	1-1/2	3	JIC-1543252C1	58.06
TILT	1542717C1			P-UB-10	1-1/2	3	JIC-1543256C1	54.67
MODEL 550G								
ANGLE	140146A1			P-UB-10	2	4	JIC-1543273C1	88.38
LIFT	1542565C1			P-UB-10	1-1/2	2-1/2	JIC-1542764C2	70.76
RIPPER	G101230			P-UB-10	1-1/2	3	JIC-1543252C1	58.06
TILT	1542717C1			P-UB-10	1-1/2	3	JIC-1543256C1	54.67
MODEL 550H								
ANGLE	307662A1		12/99-	P-UB-10	1-3/4	3	JIC-310478A1	80.89
LIFT	307112A1		12/99-	P-UB-10	1-3/4	3	JIC-1543267C1	67.57
RIPPER	G101230		12/99-	P-UB-10	1-1/2	3	JIC-1543252C1	58.06
TILT	347202A1		12/99-	P-UB-10	1-3/4	3-1/2	JIC-1543266C1	68.84
MODEL 650G								
ANGLE	116969A1			P-UB-10	1-3/4	3-1/2	JIC-1543266C1	68.84
	190595A1			P-UB-10	1-3/4	3-1/2	JIC-1543266C1	68.84
	190595A2			P-UB-10	1-3/4	3-1/2	JIC-250741A1	88.32
LIFT	116211A1			P-UB-10	1-3/4	3-1/2	JIC-1543266C1	68.84
RIPPER	G101214			P-UB-10	1-3/4	3-1/4	JIC-1543265C1	69.14
	G101215			P-UB-10	1-3/4	3-1/4	JIC-1543265C1	69.14
TILT	117511A1			P-UB-10	1-3/4	3-1/2	JIC-1543266C1	68.84
MODEL 650K								
ANGLE	412359A1		11/02-	P-UB-10	1-3/4	3-1/2	JIC-250741A1	88.32
LIFT	417854A1		11/02-	P-UB-10	1-3/4	3-1/2	JIC-1543266C1	68.84
RIPPER LH	86994131		11/02-	N-UB-1	1-3/4		JIC-1542875C1	24.28
RIPPER RH	86994129		11/02-	P-UB-10	1-3/4	3-1/2	JIC-1543266C1	68.84
TILT	412357A1		11/02-	P-UB-10	1-3/4	3-1/2	JIC-1543266C1	68.84

CASE

CASE

Replacement Kits For

Crawler Dozers/Loaders								
APPLICATION	CYL #	Piston	SERIAL #	CODE	ROD	BORE	KIT #	List \$
MODEL 750 with Backhoe Models 32, 33S, 34								
BACKHOE BOOM		2pc		P-U-9	2	4	JIC-G32299	71.36
		2pc		P-UB-9	2-1/4	4-1/2	JIC-G105520	121.38
				I-U-1	2		JIC-D42876	26.58
				P-U-1	2-1/4		JIC-D42878	25.66
		2pc		N-N-9		4-1/2	JIC-DTVS4.5P	71.86
		2pc		N-N-9		4	JIC-G33239	39.29
BACKHOE BUCKET		2pc		P-U-9	2	3-1/2	JIC-G32293	55.36
				I-U-1	1-3/4		JIC-D42873	28.89
				I-U-1	2		JIC-D42874	22.47
				I-U-1	2-1/4		JIC-D42877	20.89
		2pc		N-N-9		3-1/2	JIC-G33237	36.03
		2pc		N-N-9		4	JIC-G33239	39.29
BACKHOE DIPPER		2pc		P-U-9	2	4	JIC-G32299	71.36
				P-U-1	2-1/4		JIC-D42878	25.66
				I-U-1	2		JIC-D42876	26.58
		2pc		N-N-9		4-1/2	JIC-DTVS4.5P	71.86
BACKHOE STABILIZER		2pc		N-N-9		4	JIC-G33239	39.29
		2pc		P-UB-9	1-3/4	3-1/2	JIC-G105529	57.44
				I-U-1	1-3/4		JIC-D42873	28.89
BACKHOE SWING		2pc		N-N-9		3-1/2	JIC-G33237	36.03
		2pc		P-UB-9	1-3/4	4	JIC-G105519	68.42
				I-U-1	1-3/4		JIC-D42875	22.36
DOZER ANGLE		2pc		N-N-9		4	JIC-G33239	39.29
DOZER TILT				I-U-9	1-1/2	2-1/2	JIC-D37360	61.38
				I-U-1	1-3/4		JIC-D42873	28.89
LOADER LIFT		2pc		N-N-9		3-1/2	JIC-G33237	36.03
				I-U-1	1-1/2		JIC-D42870	28.15
LOADER TILT		2pc		N-N-9		3	JIC-G33151	32.54
				I-U-1	2		JIC-D42876	26.58
RIPPER		2pc		N-N-9		4	JIC-G33239	39.29
				I-U-1	1-3/4		JIC-D42873	28.89
		2pc		N-N-9		3-1/2	JIC-G33237	36.03
MODEL 750H								
ANGLE	190595A1			P-UB-10	1-3/4	3-1/2	JIC-1543266C1	68.84
	190595A2			P-UB-10	1-3/4	3-1/2	JIC-250741A1	88.32
LIFT	116211A2			P-UB-10	1-3/4	3-1/2	JIC-1543266C1	68.84
RIPPER	G101214			P-UB-10	1-3/4	3-1/4	JIC-1543265C1	69.14
	G101215			P-UB-10	1-3/4	3-1/4	JIC-1543265C1	69.14
TILT	117511A2			P-UB-10	1-3/4	3-1/2	JIC-1543266C1	68.84
MODEL 850 with Backhoe Models 34, 35, 36								
BACKHOE BOOM		2pc		P-UB-8	1-3/4	3-1/4	JIC-G105528	65.76
		2pc		P-U-9	2-1/4	5	JIC-G32696	103.45
		1pc		P-UB-10	1-3/4	3-1/4	JIC-G105547	61.73
				P-U-1	2-1/4		JIC-D42878	25.66
		2pc		N-N-9		4-1/2	JIC-DTVS4.5P	71.86
BACKHOE BUCKET		1pc		P-UB-10	2	3-1/2	JIC-G105546	64.53
		2pc		P-U-9	2-1/4	4	JIC-G34636	82.37
		2pc		P-UB-9	2	3-1/2	JIC-G105527	72.13
				I-U-1	2-1/4		JIC-D42877	20.89
		2pc		N-N-9		4	JIC-G33239	39.29
BACKHOE DIPPER		2pc		P-UB-9	2	4	JIC-G105517	75.58
		2pc		P-UB-9	2-1/2	4-1/2	JIC-G105513	125.18
		2pc		P-UB-9	2-1/4	4-1/2	JIC-G105520	121.38
		1pc		P-UB-10	2	4	JIC-1543273C1	88.38
				P-U-1	2-1/4		JIC-D42878	25.66

CASE

Replacement Kits For

CASE

Crawler Dozers/Loaders								
APPLICATION	CYL #	Piston	SERIAL #	CODE	ROD	BORE	KIT #	List \$
MODEL 850 with Backhoe Models 34, 35, 36								
BACKHOE DIPPER		2pc		N-N-9		4-1/2	JIC-DTVS4.5P	71.86
BACKHOE DIPPER EXT		1pc		P-UB-10	1-1/2	3	JIC-G105548	53.70
		2pc		P-UB-9	1-1/2	3	JIC-G105512	71.71
BACKHOE STABILIZER		1pc		P-UB-10	2	4	JIC-1543273C1	88.38
		2pc		P-U-9	2	4	JIC-G32299	71.36
		2pc		P-UB-9	2	4	JIC-G105517	75.58
				I-U-1	2		JIC-D42876	26.58
		2pc		N-N-9		4	JIC-G33239	39.29
BACKHOE SWING		2pc		P-UB-9	2	4-1/2	JIC-G105525	101.09
		1pc		P-UB-10	2	4	JIC-1543273C1	88.38
		2pc		P-UB-9	2	4	JIC-G105517	75.58
		2pc		P-U-9	2	4-1/2	JIC-G32695	104.10
				I-U-1	1-3/4		JIC-D42875	22.36
	2pc		N-N-9		4	JIC-G33239	39.29	
DOZER ANGLING		2pc		I-U-9	1-1/2	2-1/2	JIC-D37360	61.38
		2pc		P-UB-9	1-1/2	2-1/2	JIC-G105505	48.58
DOZER LIFT		2pc		P-UB-9	1-1/2	3	JIC-G105512	71.71
				I-U-1	1-1/2		JIC-D42870	28.15
	2pc		N-N-9		3	JIC-G33151	32.54	
DOZER TILT		2pc		P-U-9	1-3/4	3-1/2	JIC-G105518	61.26
				I-U-1	1-3/4		JIC-D42873	28.89
	2pc		N-N-9		3-1/2	JIC-G33237	36.03	
DOZER TILT & PITCH		2pc		P-UB-9	2	3-1/2	JIC-G105521	62.91
LOADER CLAM		2pc		P-U-9	2	4	JIC-G32299	71.36
LOADER HYDRA-LEVELING		2pc		P-UB-9	2	4	JIC-G105517	75.58
		2pc		P-U-9	2	4	JIC-G32299	71.36
				I-U-1	2		JIC-D42876	26.58
	2pc		N-N-9		4	JIC-G33239	39.29	
LOADER LIFT				P-UB-9	2-1/4	4-1/2	JIC-G105520	121.38
				P-U-1	2-1/4		JIC-D42878	25.66
	2pc		N-N-9		4-1/2	JIC-DTVS4.5P	71.86	
LOADER TILT		2pc		P-U-9	1-3/4	3-1/2	JIC-G105508	66.67
		2pc		P-U-9	1-3/4	3-1/2	JIC-G32228	54.67
				I-U-1	1-3/4		JIC-D42873	28.89
		2pc		N-N-9		3-1/2	JIC-G33237	36.03
RIPPER		2pc		P-U-9	1-3/4	4	JIC-G34626	74.11
				I-U-1	1-3/4		JIC-D42875	22.36
		2pc		N-N-9		4	JIC-G33239	39.29
MODEL 850B with Backhoe Model 35								
BACKHOE BOOM		2pc		P-UB-8	1-3/4	3-1/4	JIC-G105528	65.76
		1pc		P-UB-10	1-3/4	3-1/4	JIC-G105547	61.73
BACKHOE BUCKET		2pc		P-UB-9	2	3-1/2	JIC-G105527	72.13
		1pc		P-UB-10	2	3-1/2	JIC-G105546	64.53
BACKHOE DIPPER		2pc		P-UB-9	2	4	JIC-G105517	75.58
		1pc		P-UB-10	2	4	JIC-1543273C1	88.38
BACKHOE DIPPER EXT		1pc		P-UB-10	1-1/2	3	JIC-G105548	53.70
		2pc		P-UB-9	1-1/2	3	JIC-G105512	71.71
BACKHOE STABILIZER		2pc		P-UB-9	2	4	JIC-G105517	75.58
		1pc		P-UB-10	2	4	JIC-1543273C1	88.38
BACKHOE SWING		2pc		P-UB-9	2	4	JIC-G105517	75.58
		1pc		P-UB-10	2	4	JIC-1543273C1	88.38
DOZER ANGLE		2pc		P-UB-9	2	4-1/2	JIC-G105525	101.09
DOZER LIFT		1pc		P-UB-10	1-3/4	3	JIC-G105549	68.33
		1pc		P-UB-10	1-1/2	3	JIC-G105548	53.70
DOZER TILT		1pc		P-UB-10	1-3/4	4	JIC-G105552	64.32

CASE

CASE

Replacement Kits For

Crawler Dozers/Loaders								
APPLICATION	CYL #	Piston	SERIAL #	CODE	ROD	BORE	KIT #	List \$
MODEL 850B with Backhoe Model 35								
DOZER TILT		1pc		P-UB-10	2	4	JIC-1543273C1	88.38
LOADER CLAM		1pc		P-UB-10	2	3-1/2	JIC-G105546	64.53
LOADER LIFT		1pc		P-UB-10	2	4	JIC-1543273C1	88.38
LOADER TILT		1pc		P-UB-10	2	3-1/2	JIC-G105546	64.53
RIPPER		1pc		P-UB-10	1-3/4	3-1/4	JIC-G105547	61.73
MODEL 850E, 855E								
DOZER ANGLE	1542644C1			P-UB-10	2	4	JIC-1543273C1	88.38
	G103467			P-UB-9	2	4-1/2	JIC-1543270C1	128.17
DOZER LIFT	G101217			P-UB-10	1-1/2	3	JIC-1543252C1	58.06
DOZER TILT	G109485			P-UB-10	2	4	JIC-1543273C1	88.38
LOADER BUCKET	G101210			P-UB-10	2	3-1/2	JIC-1543274C1	90.26
LOADER CLAM	G101211			P-UB-10	2	3-1/2	JIC-1543274C1	90.26
LOADER LIFT L/H	G101213			P-UB-10	2	4	JIC-1543273C1	88.38
LOADER LIFT R/H	G101212			P-UB-10	2	4	JIC-1543273C1	88.38
RIPPER L/H	G101215			P-UB-10	1-3/4	3-1/4	JIC-1543265C1	69.14
RIPPER R/H	G101214			P-UB-10	1-3/4	3-1/4	JIC-1543265C1	69.14
MODEL 850G								
ANGLE	116969A1			P-UB-10	1-3/4	3-1/2	JIC-1543266C1	68.84
	190595A1			P-UB-10	1-3/4	3-1/2	JIC-1543266C1	68.84
LIFT	116211A1			P-UB-10	1-3/4	3-1/2	JIC-1543266C1	68.84
RIPPER L/H	G101215			P-UB-10	1-3/4	3-1/4	JIC-1543265C1	69.14
RIPPER R/H	G101214			P-UB-10	1-3/4	3-1/4	JIC-1543265C1	69.14
TILT	117511A1			P-UB-10	1-3/4	3-1/2	JIC-1543266C1	68.84
MODEL 850H								
ANGLE	190595A2			P-UB-10	1-3/4	3-1/2	JIC-250741A1	88.32
LIFT	116211A2			P-UB-10	1-3/4	3-1/2	JIC-1543266C1	68.84
RIPPER LH	G101215			P-UB-10	1-3/4	3-1/4	JIC-1543265C1	69.14
RIPPER RH	G101214			P-UB-10	1-3/4	3-1/4	JIC-1543265C1	69.14
TILT	117511A2			P-UB-10	1-3/4	3-1/2	JIC-1543266C1	68.84
MODEL 850K								
ANGLE	412359A1		11/02-	P-UB-10	1-3/4	3-1/2	JIC-250741A1	88.32
LIFT	417854A1		11/02-	P-UB-10	1-3/4	3-1/2	JIC-1543266C1	68.84
RIPPER LH	86994131		11/02-	P-UB-10	1-3/4	3-1/4	JIC-1543265C1	69.14
RIPPER RH	86994129		11/02-	P-UB-10	1-3/4	3-1/4	JIC-1543265C1	69.14
TILT	412357A1		11/02-	P-UB-10	1-3/4	3-1/2	JIC-1543266C1	68.84
MODEL 1150G								
ANGLE	G110702			P-UB-10	2-1/2	5	JIC-84154316	82.47
LIFT	G109819			P-UB-10	1-3/4	3-1/4	JIC-1543265C1	69.14
RIPPER	G101272			P-UB-10	2	4	JIC-1543273C1	88.38
	G101273			P-UB-10	2	4	JIC-1543273C1	88.38
TILT	G110694			P-UB-10	2-1/2	5	JIC-84154316	82.47
MODEL 1150H								
ANGLE	G110702			P-UB-10	2-1/2	5	JIC-84154316	82.47
LIFT	G109819			P-UB-10	1-3/4	3-1/4	JIC-1543265C1	69.14
RIPPER LH	G101273			P-UB-10	2	4	JIC-1543273C1	88.38
RIPPER RH	G101272			P-UB-10	2	4	JIC-1543273C1	88.38
TILT	G110694			P-UB-10	2-1/2	5	JIC-1542879C1	85.52
Excavators								
APPLICATION	CYL #	Piston	SERIAL #	CODE	ROD	BORE	KIT #	List \$
MODEL 880								
ARM		2pc	6200000-6201114	P-UB-9	2-1/2	5-1/2	JIC-G105514	125.47
		2pc	6201115-	P-UB-9	2-3/4	5-1/2	JIC-G105566	202.53
BOOM		2pc	6200000-6201114	P-UB-9	2-1/2	5-1/2	JIC-G105514	125.47
		2pc	6201115-	P-UB-9	2-3/4	5-1/2	JIC-G105566	202.53
BUCKET		2pc		P-UB-9	2-1/2	5	JIC-G105515	106.52

CASE

Replacement Kits For

CASE

Excavators								
APPLICATION	CYL #	Piston	SERIAL #	CODE	ROD	BORE	KIT #	List \$
MODEL 880								
EXT BUCKET		2pc		P-UB-9	3	5	JIC-G105531	121.90
EXT DIPPER		2pc		P-U-9	2-1/4	4	JIC-G34636	82.37
		1pc		P-UB-10	2-1/4	4	JIC-G105556	69.78
MODEL 880B, 880C, 880D								
ARM		2pc		P-UB-9	2-3/4	5-1/2	JIC-G105566	202.53
BOOM		2pc		P-UB-9	2-3/4	5-1/2	JIC-G105566	202.53
BUCKET		2pc		P-UB-9	2-1/2	5	JIC-G109499	140.42
MODEL 880R								
ARM		2pc		P-UB-9	2-3/4	5-1/2	JIC-G105566	202.53
BOOM		2pc		P-UB-9	2-3/4	5-1/2	JIC-G105566	202.53
EXT BUCKET		2pc		P-UB-9	3	5	JIC-G105531	121.90
EXT DIPPER		2pc	-5352380	P-U-9	2-1/4	4	JIC-G34636	82.37
		1pc	5352381-	P-UB-10	2-1/4	4	JIC-G105556	69.78
MODEL 9010B								
ARM		1pc		P-UB-10	80 mm	115 mm	JIC-164494A1	384.38
BOOM		1pc		P-UB-10	75 mm	100 mm	JIC-164493A1	240.32
BUCKET		1pc		P-UB-10	70 mm	95 mm	JIC-162976A1	336.24
MODEL 9020B								
ARM		1pc		P-UB-10	90 mm	125 mm	JIC-161913A1	435.67
BOOM		1pc		P-UB-10	80 mm	115 mm	JIC-161912A1	364.78
BUCKET		1pc		P-UB-10	75 mm	105 mm	JIC-161914A1	382.97
MODEL 9030B								
ARM (Long Reach)		1pc		P-UB-10	105 mm	150 mm	JIC-160227A1	514.38
ARM (w/o long reach)		1pc		P-UB-10	100 mm	135 mm	JIC-160579A1	493.97
BOOM (w/ load option)		1pc		P-UB-10	85 mm	125 mm	JIC-164183A1	344.63
BOOM (w/o load option)		1pc		P-UB-10	85 mm	125 mm	JIC-160577A1	348.25
BUCKET (Long Reach)		1pc		P-UB-10	70 mm	95 mm	JIC-162976A1	336.24
BUCKET (w/o long reach)		1pc		P-UB-10	80 mm	120 mm	JIC-160581A1	321.62
MODEL 9040B								
ARM	151155A1			P-UB-10	110 mm	160 mm	JIC-156002A1	635.74
	159453A1			P-UB-10	105 mm	150 mm	JIC-160227A1	514.38
	162816			P-UB-10	105 mm	150 mm	JIC-160227A1	514.38
BOOM	159462A1			P-UB-10	90 mm	130 mm	JIC-LZ00533	398.28
	159463A1			P-UB-10	90 mm	130 mm	JIC-LZ00533	398.28
	162815A1			P-UB-10	90 mm	130 mm	JIC-LZ00533	398.28
BUCKET	159452A1			P-UB-10	90 mm	135 mm	JIC-160229A1	375.44
	160752A1			P-UB-10	70 mm	95 mm	JIC-LZ00522	336.24
MODEL CX130								
ARM	KNV1617			P-UB-10	80 mm	115 mm	JIC-LZ00449	149.44
	KNV1621			P-UB-10	80 mm	115 mm	JIC-LZ00449	149.44
BOOM LH	KNV1616			P-UB-10	70 mm	105 mm	JIC-LZ00448	164.24
	KNV1620			P-UB-10	70 mm	105 mm	JIC-LZ00448	164.24
BOOM RH	KNV1615			P-UB-10	70 mm	105 mm	JIC-LZ00448	164.24
	KNV1619			P-UB-10	70 mm	105 mm	JIC-LZ00448	164.24
BUCKET	KNV1618			P-UB-10	65 mm	95 mm	JIC-LZ00450	106.87
DOZER BLADE LH	168637A1			P-UB-10	70 mm	100 mm	JIC-LQU0245	178.25
DOZER BLADE RH	168636A1			P-UB-10	70 mm	100 mm	JIC-LQU0245	178.25
MODEL CX130C								
BLADE LH	LZ011490			P-U-10	70 mm	115 mm	JIC-LZ011480	253.85
BLADE LH (HBCV)	KMV18510			P-U-10	70 mm	115 mm	JIC-LZ011480	253.85
BLADE RH	LZ011530			P-U-10	70 mm	115 mm	JIC-LZ011480	253.85
BLADE RH (HBCV)	LZ011490			P-U-10	70 mm	115 mm	JIC-LZ011480	253.85
BOOM LH	KNV14340			P-UB-10	70 mm	105 mm	JIC-LZ010750	131.60
BOOM LH (HBCV)	KNV16270			P-UB-10	70 mm	105 mm	JIC-LZ010750	131.60
BOOM RH	KNV14330			P-UB-10	70 mm	105 mm	JIC-LZ010750	131.60
BOOM RH (HBCV)	KNV16250			P-UB-10	70 mm	105 mm	JIC-LZ010750	131.60

CASE

Replacement Kits For

CASE

Excavators								
APPLICATION	CYL #	Piston	SERIAL #	CODE	ROD	BORE	KIT #	List \$
MODEL CX130C								
BUCKET	KNV12541			P-UB-10	65 mm	95 mm	JIC-MMV80240	293.81
DIPPER	KNV14350			P-UB-10	80 mm	115 mm	JIC-MMV80210	241.83
DIPPER (HBCV)	KNV16290			P-UB-10	80 mm	115 mm	JIC-MMV80210	241.83
MODEL CX130D								
ARM	KNV14350			P-UB-10	80 mm	115 mm	JIC-MMV80210	241.83
	KNV16290			P-UB-10	80 mm	115 mm	JIC-MMV80210	241.83
BOOM LH	KNV14340			P-UB-10	70 mm	105 mm	JIC-LZ010750	131.60
BOOM RH	KNV14330			P-UB-10	70 mm	105 mm	JIC-LZ010750	131.60
BUCKET	KNV12541			P-UB-10	65 mm	95 mm	JIC-MMV80240	293.81
LIFT	KMV18480			P-U-10	70 mm	115 mm	JIC-LZ011480	253.85
	KMV18490			P-U-10	70 mm	115 mm	JIC-LZ011480	253.85
LIFT (w/Safety Valve)	KMV18510			P-U-10	70 mm	115 mm	JIC-LZ011480	253.85
	KMV18520			P-U-10	70 mm	115 mm	JIC-LZ011480	253.85
LIFT LH (w/Safety Valve)	KNV16270			P-UB-10	70 mm	105 mm	JIC-LZ010750	131.60
LIFT RH (w/Safety Valve)	KNV16250			P-UB-10	70 mm	105 mm	JIC-LZ010750	131.60
MODEL CX130D LC								
ARM	KNV14350			P-UB-10	80 mm	115 mm	JIC-MMV80210	241.83
	KNV16290			P-UB-10	80 mm	115 mm	JIC-MMV80210	241.83
BUCKET	KNV12541			P-UB-10	65 mm	95 mm	JIC-MMV80240	293.81
LIFT LH	KNV14340			P-UB-10	70 mm	105 mm	JIC-LZ010750	131.60
LIFT LH (w/Safety Valve)	KNV16270			P-UB-10	70 mm	105 mm	JIC-LZ010750	131.60
LIFT RH	KNV14330			P-UB-10	70 mm	105 mm	JIC-LZ010750	131.60
LIFT RH (w/Safety Valve)	KNV16250			P-UB-10	70 mm	105 mm	JIC-LZ010750	131.60
MODEL CX135SR								
ARM (w/ Load Hold)	KMV2548		08/02-	P-UB-10	80 mm	115 mm	JIC-LZ00449	149.44
ARM (w/o Load Hold)	KNV1617		08/02-	P-UB-10	80 mm	115 mm	JIC-LZ00449	149.44
BOOM LH (w/ Load Hold)	KMV2547		08/02-	P-UB-10	75 mm	105 mm	JIC-LZ00453	155.22
BOOM LH (w/o Load Hold)	KMV2543		08/02-	P-UB-10	75 mm	105 mm	JIC-LZ00453	155.22
BOOM RH (w/ Load Hold)	KMV2546		08/02-	P-UB-10	75 mm	105 mm	JIC-LZ00453	155.22
BOOM RH (w/o Load Hold)	KMV2542		08/02-	P-UB-10	75 mm	105 mm	JIC-LZ00453	155.22
BUCKET	KMV2545		08/02-	P-UB-10	65 mm	95 mm	JIC-LZ00450	106.87
DOZER BLADE LH (w/ Load Hold)	KMV2554		08/02-	P-UB-10	70 mm	110 mm	JIC-LZ00457	100.87
DOZER BLADE LH (w/o Load Hold)	KMV2368		08/02-	P-UB-10	70 mm	110 mm	JIC-LZ00457	100.87
DOZER BLADE RH (w/ Load Hold)	KMV2553		08/02-	P-UB-10	70 mm	110 mm	JIC-LZ00457	100.87
DOZER BLADE RH (w/o Load Hold)	KMV2367		08/02-	P-UB-10	70 mm	110 mm	JIC-LZ00457	100.87
OFFSET ARM	KMV2551		08/02-	P-UB-10	75 mm	105 mm	JIC-LZ00455	192.86
OFFSET BOOM	KMV2552		08/02-	P-UB-10	65 mm	120 mm	JIC-LZ00456	95.46
MODEL CX145C SR								
BLADE LH	LZ011490			P-U-10	70 mm	115 mm	JIC-LZ011480	253.85
BLADE RH	LZ011530			P-U-10	70 mm	115 mm	JIC-LZ011480	253.85
BLADE RH (HBCV)	LZ011490			P-U-10	70 mm	115 mm	JIC-LZ011480	253.85
BOOM (LH w/Safety Valve)	KMV17880			P-UB-10	75 mm	105 mm	JIC-MMV80220	115.89
BOOM (LH)	KMV17920			P-UB-10	75 mm	105 mm	JIC-MMV80220	115.89
BOOM (RH w/Safety Valve)	KMV17860			P-UB-10	75 mm	105 mm	JIC-MMV80220	115.89
BOOM (RH)	KMV17900			P-UB-10	75 mm	105 mm	JIC-MMV80220	115.89
BUCKET	KNV12541			P-UB-10	65 mm	95 mm	JIC-MMV80240	293.81
DIPPER				P-UB-10	80 mm	115 mm	JIC-MMV80210	241.83
DIPPER (HBCV)				P-UB-10	80 mm	115 mm	JIC-MMV80210	241.83
MODEL CX160								
ARM (w/o Load Hold)	KLV0308			P-UB-10	90 mm	125 mm	JIC-LZ00452	254.63
ARM(w/ Load Hold)	KLV0353			P-UB-10	90 mm	125 mm	JIC-LZ00452	254.63
BOOM LH (w/ Load Hold)	KLV0352			I-UB-10	80 mm	115 mm	JIC-LZ00451	155.27

CASE

Replacement Kits For

CASE

Excavators								
APPLICATION	CYL #	Piston	SERIAL #	CODE	ROD	BORE	KIT #	List \$
MODEL CX160								
BOOM LH (w/o Load Hold)	KLV0306			I-UB-10	80 mm	115 mm	JIC-LZ00451	155.27
BOOM RH (w/ Load Hold)	KLV0351			I-UB-10	80 mm	115 mm	JIC-LZ00451	155.27
BOOM RH (w/o Load Hold)	KLV0307			I-UB-10	80 mm	115 mm	JIC-LZ00451	155.27
BUCKET	KLV0309			P-UB-10	75 mm	105 mm	JIC-LZ00453	155.22
MODEL CX160B								
ARM	KLV11040			P-UB-10	90 mm	125 mm	JIC-LZ011000-D	192.50
BOOM LH	KLV10980			P-UB-10	80 mm	115 mm	JIC-LZ010870	156.14
BOOM RH	KLV10960			P-UB-10	80 mm	115 mm	JIC-LZ010870	156.14
BUCKET	KLV11081			P-UB-10	75 mm	105 mm	JIC-LZ010810	164.92
MODEL CX160C								
BOOM (LH)	KLV10980		35.736.AA [01]	P-UB-10	80 mm	115 mm	JIC-LZ010870	156.14
	KLV10980		35.964.21	P-UB-10	80 mm	115 mm	JIC-LZ010870	156.14
	KLV11020		35.736.AA [03]	P-UB-10	80 mm	115 mm	JIC-LZ010870	156.14
	KLV11020		35.964.23	P-UB-10	80 mm	115 mm	JIC-LZ010870	156.14
BOOM (RH)	KLV10960		35.736.AA [02]	P-UB-10	80 mm	115 mm	JIC-LZ010870	156.14
	KLV10960		35.964.20	P-UB-10	80 mm	115 mm	JIC-LZ010870	156.14
	KLV11000		35.736.AA [04]	P-UB-10	80 mm	115 mm	JIC-LZ010870	156.14
	KLV11000		35.964.22	P-UB-10	80 mm	115 mm	JIC-LZ010870	156.14
BUCKET	KLV11081		35.738.AA	P-UB-10	75 mm	105 mm	JIC-LZ008210	164.92
	KLV11081		35.964.30	P-UB-10	75 mm	105 mm	JIC-LZ008210	164.92
DIPPER	KLV11040		35.737.AA [01]	P-UB-10	90 mm	125 mm	JIC-LZ008180	192.50
	KLV11060		35.737.AA [02]	P-UB-10	90 mm	125 mm	JIC-LZ008180	192.50
MODEL CX160D LC								
ARM	KLV11040			P-UB-10	90 mm	125 mm	JIC-MMV80200	152.56
	KLV11060			P-UB-10	90 mm	125 mm	JIC-MMV80200	152.56
BUCKET	KLV11081			P-UB-10	75 mm	105 mm	JIC-LZ010810	164.92
	KLV11081			P-UB-10	75 mm	105 mm	JIC-LZ010810	164.92
	KLV11081			P-UB-10	75 mm	105 mm	JIC-LZ010810	164.92
LIFT LH	KLV10980			P-UB-10	80 mm	115 mm	JIC-LZ010870	156.14
LIFT LH (w/Safety Valve)	KLV11020			P-UB-10	80 mm	115 mm	JIC-LZ010870	156.14
LIFT RH	KLV10960			P-UB-10	80 mm	115 mm	JIC-LZ010870	156.14
LIFT RH (w/Safety Valve)	KLV11000			P-UB-10	80 mm	115 mm	JIC-LZ010870	156.14
MODEL CX210								
ARM (w/ Load Hold)	KRV3239			P-UB-10	95 mm	135 mm	JIC-LZ00446	159.08
ARM (w/o Load Hold)	KRV3236			P-UB-10	95 mm	135 mm	JIC-LZ00446	159.08
BOOM (w/ Load Hold)	KRV18920			P-UB-10	85 mm	120 mm	JIC-LZ00445	184.89
BOOM LH	KRV18910			P-UB-10	85 mm	120 mm	JIC-LZ00445	184.89
BOOM RH	KRV18900			P-UB-10	85 mm	120 mm	JIC-LZ00445	184.89
BUCKET	KRV3237			P-UB-10	80 mm	115 mm	JIC-LZ00447	127.63
MODEL CX210B								
ARM	KRV19600			P-UB-10	100 mm	140 mm	JIC-LZ011200	210.87
BOOM LH	KRV19540			P-UB-10	85 mm	120 mm	JIC-LZ010930	162.54
BOOM RH	KRV19520			P-UB-10	85 mm	120 mm	JIC-LZ010930	162.54
BUCKET	KRV19640			P-UB-10	85 mm	120 mm	JIC-LZ010940	156.20
MODEL CX210C								
ARM	KRV19600			P-UB-10	100 mm	140 mm	JIC-LZ011200	210.87
BOOM LH	KRV19540			P-UB-10	85 mm	120 mm	JIC-LZ010930	162.54
BOOM RH	KRV19520			P-UB-10	85 mm	120 mm	JIC-LZ010930	162.54
BUCKET	KNV12541			P-UB-10	65 mm	95 mm	JIC-LZ010710-D	142.50
MODEL CX210C LC								
BOOM LH (w/o Safety Valve)	KRV32991			P-UB-10	85 mm	120 mm	JIC-LZ010930	162.54
BOOM LH (w/Safety Valve)	KRV33031			P-UB-10	85 mm	120 mm	JIC-LZ010930	162.54
BOOM RH (w/o Safety Valve)	KRV32981			P-UB-10	85 mm	120 mm	JIC-LZ010930	162.54
BOOM RH (w/Safety Valve)	KRV33021			P-UB-10	85 mm	120 mm	JIC-LZ010930	162.54
BUCKET	KRV33010			P-UB-10	85 mm	120 mm	JIC-LZ010940	156.20

CASE

CASE

Replacement Kits For

Excavators								
APPLICATION	CYL #	Piston	SERIAL #	CODE	ROD	BORE	KIT #	List \$
MODEL CX210C LC								
DIPPER (w/o Safety Valve)	KRV33000			P-UB-10	100 mm	140 mm	JIC-LZ011200	210.87
MODEL CX210C LR								
BOOM LH (w/o Safety Valve)	KRV32991			P-UB-10	85 mm	120 mm	JIC-LZ010930	162.54
BOOM RH (w/o Safety Valve)	KRV32981			P-UB-10	85 mm	120 mm	JIC-LZ010930	162.54
BUCKET	KNV12541			P-UB-10	65 mm	95 mm	JIC-LZ008750	142.50
MODEL CX210C NLC								
BOOM LH (w/o Safety Valve)	KRV32991			P-UB-10	85 mm	120 mm	JIC-LZ010930	162.54
BOOM LH (w/Safety Valve)	KRV33031			P-UB-10	85 mm	120 mm	JIC-LZ010930	162.54
BOOM RH (w/o Safety Valve)	KRV32981			P-UB-10	85 mm	120 mm	JIC-LZ010930	162.54
BOOM RH (w/Safety Valve)	KRV33021			P-UB-10	85 mm	120 mm	JIC-LZ010930	162.54
BUCKET	KRV33010			P-UB-10	85 mm	120 mm	JIC-LZ010940	156.20
DIPPER (w/o Safety Valve)	KRV33000			P-UB-10	100 mm	140 mm	JIC-LZ011200	210.87
MODEL CX210D LC								
ARM	KRV43060			P-UB-10	100 mm	140 mm	JIC-LZ011200	210.87
ARM (w/Safety Valve)	KRV43100			P-UB-10	100 mm	140 mm	JIC-LZ011200	210.87
BOOM LIFT LH	KRV32991			P-UB-10	85 mm	120 mm	JIC-LZ010930	162.54
BOOM LIFT RH	KRV32981			P-UB-10	85 mm	120 mm	JIC-LZ010930	162.54
BUCKET	KRV43120			P-UB-10	85 mm	120 mm	JIC-LZ010940	156.20
LIFT LH (w/Safety Valve)	KRV33031			P-UB-10	85 mm	120 mm	JIC-LZ010930	162.54
LIFT RH (w/Safety Valve)	KRV33021			P-UB-10	85 mm	120 mm	JIC-LZ010930	162.54
MODEL CX210D LC LR								
ARM	KRV24000			P-UB-10	105 mm	145 mm	JIC-LZ011260	207.84
ARM (w/Safety Valve)	KRV24010			P-UB-10	105 mm	145 mm	JIC-LZ011260	207.84
BOOM LIFT LH	KRV32991			P-UB-10	85 mm	120 mm	JIC-LZ010930	162.54
BOOM LIFT RH	KRV32981			P-UB-10	85 mm	120 mm	JIC-LZ010930	162.54
BUCKET	KNV12541			P-UB-10	65 mm	95 mm	JIC-MMV80240	293.81
LIFT LH (w/Safety Valve)	KRV33031			P-UB-10	85 mm	120 mm	JIC-LZ010930	162.54
LIFT RH (w/Safety Valve)	KRV33021			P-UB-10	85 mm	120 mm	JIC-LZ010930	162.54
MODEL CX210D NLC								
ARM	KRV43060			P-UB-10	100 mm	140 mm	JIC-LZ011200	210.87
ARM (w/Safety Valve)	KRV43100			P-UB-10	100 mm	140 mm	JIC-LZ011200	210.87
BOOM LIFT LH	KRV32991			P-UB-10	85 mm	120 mm	JIC-LZ010930	162.54
BOOM LIFT RH	KRV32981			P-UB-10	85 mm	120 mm	JIC-LZ010930	162.54
BUCKET	KRV43120			P-UB-10	85 mm	120 mm	JIC-LZ010940	156.20
LIFT LH (w/Safety Valve)	KRV33031			P-UB-10	85 mm	120 mm	JIC-LZ010930	162.54
LIFT RH (w/Safety Valve)	KRV33021			P-UB-10	85 mm	120 mm	JIC-LZ010930	162.54
MODEL CX240								
ARM (w/ Load Hold)	KBV1687			P-UB-10	105 mm	145 mm	JIC-LZ00443	190.66
ARM (w/o Load Hold)	KBV1789			P-UB-10	105 mm	145 mm	JIC-LZ00443	190.66
BOOM (w/ Load Hold)	KBV1686			P-UB-10	90 mm	125 mm	JIC-LZ00442	214.28
BOOM LH (w/o Load Hold)	KBV1788			P-UB-10	90 mm	125 mm	JIC-LZ00442	214.28
BOOM RH (w/o Load Hold)	KBV1787			P-UB-10	90 mm	125 mm	JIC-LZ00442	214.28
BUCKET	KBV1790			P-UB-10	90 mm	130 mm	JIC-LZ00444	206.51
MODEL CX250C								
BOOM LH (w/o Safety Valve)	KBV25230			P-UB-10	90 mm	130 mm	JIC-MMV80160	167.88
BOOM RH (w/o Safety Valve)	KBV25220			P-UB-10	90 mm	130 mm	JIC-MMV80160	167.88
BUCKET	KBV24080			P-UB-10	90 mm	130 mm	JIC-MMV80160	167.88
DIPPER (Long Reach)	KBV18420			P-UB-10	105 mm	150 mm	JIC-MMV80090	171.70
	KBV18440			P-UB-10	105 mm	150 mm	JIC-MMV80090	171.70
MODEL CX250D LC								
ARM	KBV34010			P-UB-10	105 mm	145 mm	JIC-LZ011260	207.84
ARM (w/Safety Valve)	KBV31130			P-UB-10	105 mm	145 mm	JIC-LZ011260	207.84
BOOM LIFT LH	KBV25230			P-UB-10	90 mm	130 mm	JIC-MMV80160	167.88
BOOM LIFT RH	KBV25220			P-UB-10	90 mm	130 mm	JIC-MMV80160	167.88
BOOM LIFT RH (w/Safety Valve)	KBV25240			P-UB-10	90 mm	130 mm	JIC-MMV80160	167.88

CASE

Replacement Kits For

CASE

Excavators								
APPLICATION	CYL #	Piston	SERIAL #	CODE	ROD	BORE	KIT #	List \$
MODEL CX250D LC								
BOOM LIFT RH (w/Safety Valve)	KBV25250			P-UB-10	90 mm	130 mm	JIC-MMV80160	167.88
BUCKET	KBV24080			P-UB-10	90 mm	130 mm	JIC-MMV80160	167.88
MODEL CX250D LC LR								
ARM	KBV18420			P-UB-10	105 mm	150 mm	JIC-LZ011310	333.77
ARM (w/Safety Valve)	KBV18440			P-UB-10	105 mm	150 mm	JIC-LZ011310	333.77
BOOM LIFT LH	KBV25230			P-UB-10	90 mm	130 mm	JIC-MMV80160	167.88
BOOM LIFT RH	KBV25220			P-UB-10	90 mm	130 mm	JIC-MMV80160	167.88
BOOM LIFT RH (w/Safety Valve)	KBV25240			P-UB-10	90 mm	130 mm	JIC-MMV80160	167.88
	KBV25250			P-UB-10	90 mm	130 mm	JIC-MMV80160	167.88
BUCKET	KNV12541			P-UB-10	65 mm	95 mm	JIC-MMV80240	293.81
MODEL CX330								
ARM (w/ Load Hold)	KSV1456			P-UB-10	120 mm	170 mm	JIC-LZ00478	477.16
ARM (w/o Load Hold)	KSV1395			P-UB-10	120 mm	170 mm	JIC-LZ00478	477.16
BOOM LH (w/ Load Hold)	KSV1455			P-UB-10	100 mm	145 mm	JIC-LZ00477	412.39
BOOM LH (w/o Load Hold)	KSV1394			P-UB-10	100 mm	145 mm	JIC-LZ00477	412.39
BOOM RH (w/ Load Hold)	KSV1454			P-UB-10	100 mm	145 mm	JIC-LZ00477	412.39
BOOM RH (w/o Load Hold)	KSV1393			P-UB-10	100 mm	145 mm	JIC-LZ00477	412.39
BUCKET	KSV1396			P-UB-10	105 mm	150 mm	JIC-LZ00476	559.08
MODEL CX350C								
BOOM LH (w/o Safety Valve)	KSV1926			P-UB-14	100 mm	145 mm	JIC-LZ007300	479.08
BOOM RH (w/o Safety Valve)	KSV1925			P-UB-14	100 mm	145 mm	JIC-LZ007300	479.08
BUCKET	KSV1928			P-UB-14	105 mm	150 mm	JIC-LZ007310	457.53
DIPPER (w/o Safety Valve)	KSV1927			P-UB-10	120 mm	170 mm	JIC-LZ007320	453.68
MODEL CX350D LC								
ARM	KSV25611			P-UB-10	120 mm	170 mm	JIC-LZ012100	568.70
ARM (w/Safety Valve)	KSV25691			P-UB-10	120 mm	170 mm	JIC-LZ012100	568.70
BOOM LIFT LH (Heavy Duty)	KSV29720			P-UB-10	100 mm	145 mm	JIC-LZ012090	390.79
BOOM LIFT RH (Heavy Duty)	KSV29710			P-UB-10	100 mm	145 mm	JIC-LZ012090	390.79
BUCKET	KSV25291			P-UB-10	105 mm	150 mm	JIC-LZ012110	474.01
LIFT LH (w/Safety Valve)	KSV29760			P-UB-10	100 mm	145 mm	JIC-LZ012090	390.79
LIFT RH (w/Safety Valve)	KSV29780			P-UB-10	100 mm	145 mm	JIC-LZ012090	390.79
Excavators - Compact								
APPLICATION	CYL #	Piston	SERIAL #	CODE	ROD	BORE	KIT #	List \$
MODEL CX27B								
BOOM	72282200		06/04-	P-U-10	40 mm	70 mm	JIC-72280471	122.57
	72282211		06/04-	P-U-10	40 mm	70 mm	JIC-72280471	122.57
	72286201		06/04-	P-U-10	40 mm	70 mm	JIC-72280471	122.57
BOOM (CAB)	72286211		N5GN01293 & AFTER 09/05-	P-U-10	40 mm	70 mm	JIC-72280471	122.57
	87601559		N5GN01293 & AFTER 09/05-	P-U-10	40 mm	70 mm	JIC-72280471	122.57
BOOM (CANOPY)	72286201		N5GN01293 & AFTER 09/05-	P-U-10	40 mm	70 mm	JIC-72280471	122.57
	87601559		N5GN01293 & AFTER 09/05-	P-U-10	40 mm	70 mm	JIC-72280471	122.57
BUCKET	72282216		06/04-	P-U-10	35 mm	60 mm	JIC-72282317	126.13
	72286208		06/04-	P-U-10	35 mm	60 mm	JIC-72282317	126.13
	7286208		N5GN01293 & AFTER 09/05-	P-U-10	35 mm	60 mm	JIC-72282317	126.13
	87618923		N5GN01293 & AFTER 09/05-	P-U-10	35 mm	60 mm	JIC-72282317	126.13
DIPPER	72281123		06/04-	P-U-10	40 mm	70 mm	JIC-72282209	122.57
	72286205		06/04-	P-U-10	40 mm	70 mm	JIC-72282209	122.57
	72286205		N5GN01293 & AFTER 09/05-	P-U-10	40 mm	70 mm	JIC-72280471	122.57

CASE

CASE

Replacement Kits For

Excavators - Compact								
APPLICATION	CYL #	Piston	SERIAL #	CODE	ROD	BORE	KIT #	List \$
MODEL CX27B								
DIPPER	87616282		N5GN01293 & AFTER 09/05-	P-U-10	40 mm	70 mm	JIC-72280471	122.57
DOZER	72281649		06/04-	P-U-10	45 mm	85 mm	JIC-72282324	139.59
	72286196		06/04-	P-U-10	45 mm	85 mm	JIC-72282324	139.59
	72286196		N5GN01293 & AFTER 09/05-	P-U-10	45 mm	85 mm	JIC-72282324	139.59
SWING	72281425		06/04-	P-U-10	45 mm	75 mm	JIC-72280241	85.40
	72285830		N5GN01293 & AFTER 09/05-	P-U-10	45 mm	75 mm	JIC-72280241	85.40
MODEL CX31								
BOOM	47043387		06/04-	P-U-10	45 mm	75 mm	JIC-5001747M91	74.48
BOOM OFFSET	47043386		06/04-	P-U-10	50 mm	80 mm	JIC-5001732M91	103.00
BUCKET	6011206M91		06/04-	P-U-10	35 mm	65 mm	JIC-5001763M91	115.84
DIPPER	6010810M91		06/04-	P-U-10	45 mm	75 mm	JIC-5001747M91	74.48
DOZER	4010814M91		06/04-	P-U-10	55 mm	95 mm	JIC-5001761M91	105.23
MODEL CX31B								
BOOM	72283931		06/04-	P-U-10	45 mm	80 mm	JIC-72280454	86.89
	72283936		06/04-	P-U-10	45 mm	80 mm	JIC-72280454	86.89
	72286375		06/04-	P-U-10	45 mm	80 mm	JIC-72280454	86.89
	72286378		06/04-	P-U-10	45 mm	80 mm	JIC-72280454	86.89
BOOM (CAB)			N5GN00812/AFTER 04/05-	P-U-10	45 mm	80 mm	JIC-72280454	86.89
BOOM (CANOPY)			N5GN00812/AFTER 04/05-	P-U-10	45 mm	80 mm	JIC-PX01V00045R300	86.89
BUCKET			N5GN00812/AFTER 04/05-	P-U-10	40 mm	65 mm	JIC-72280251	95.54
	72285850		06/04-	P-U-10	40 mm	65 mm	JIC-72280251	95.54
DIPPER			N5GN00812/AFTER 04/05-	P-U-10	45 mm	75 mm	JIC-72280241	85.40
	72283933		06/04-	P-U-10	45 mm	75 mm	JIC-72280241	85.40
DOZER			N5GN00812/AFTER 04/05-	P-U-10	50 mm	100 mm	JIC-72280261	92.70
	7228252		06/04-	P-U-10	50 mm	100 mm	JIC-72280261	92.70
	72286391		06/04-	P-U-10	50 mm	100 mm	JIC-72280261	92.70
SWING			N5GN00812/AFTER 04/05-	P-U-10	45 mm	80 mm	JIC-72280268	99.87
	72280262		06/04-	P-U-10	45 mm	80 mm	JIC-72280268	99.87
MODEL CX36								
ARM	PX01V00035F2		PX11-08901-	P-U-10	45 mm	80 mm	JIC-PW01V00048R300	93.64
BLADE	PX01V00033F1			P-U-10	45 mm	90 mm	JIC-PX01V00033R300	152.97
BOOM Cab	PX01V00031F2		PX11-08901-	P-U-10	50 mm	85 mm	JIC-PX01V00030R300	223.09
BOOM Canopy	PX01V00030F2		PX11-08901-	P-U-10	50 mm	85 mm	JIC-PX01V00030R300	223.09
BUCKET	PW01V00046F1			P-U-10	35 mm	65 mm	JIC-PW01V00046R300	127.61
DOZER BLADE	PX01V00033F1		PX11-08901-	P-U-10	45 mm	90 mm	JIC-PX01V00033R300	152.97
SWING	PW01V00050F2			P-U-10	45 mm	80 mm	JIC-PW01V00043R300	131.98
MODEL CX36B								
BOOM	72283941		06/04-	P-U-10	45 mm	80 mm	JIC-72280454	86.89
	72283945		06/04-	P-U-10	45 mm	80 mm	JIC-72280454	86.89
	72286381		06/04-	P-U-10	45 mm	80 mm	JIC-72280454	86.89
	72286384		06/04-	P-U-10	45 mm	80 mm	JIC-72280454	86.89
BOOM Cab	72286384		N5GN00813 & AFTER 04/05-	P-U-10	45 mm	80 mm	JIC-72280454	86.89

CASE

Replacement Kits For

CASE

Excavators - Compact								
APPLICATION	CYL #	Piston	SERIAL #	CODE	ROD	BORE	KIT #	List \$
MODEL CX36B								
BOOM Cab	87639742		N5GN00813 & AFTER 04/05-	P-U-10	45 mm	80 mm	JIC-72280454	86.89
	PX01V00065F1		PX13-15001-, N6TN61738- NA	P-U-10	45 mm	80 mm	JIC-PX01V00045R300	86.89
BOOM Canopy	72286381		N5GN00813 & AFTER 04/05-	P-U-10	45 mm	80 mm	JIC-PX01V00045R300	86.89
	87566885		N5GN00813 & AFTER 04/05-	P-U-10	45 mm	80 mm	JIC-PX01V00045R300	86.89
	PX01V00062F1		PX13-15001-, N6TN61738- NA	P-U-10	45 mm	80 mm	JIC-PX01V00045R300	86.89
BUCKET	72284518		06/04-	P-U-10	40 mm	65 mm	JIC-72280251	95.54
	72285850		06/04-	P-U-10	40 mm	65 mm	JIC-72280251	95.54
	72285850		N5GN00813 & AFTER 04/05-	P-U-10	40 mm	65 mm	JIC-72280251	95.54
	87573321		N5GN00813 & AFTER 04/05-	P-U-10	40 mm	65 mm	JIC-72280251	95.54
DIPPER	72283943		06/04-	P-U-10	45 mm	80 mm	JIC-72280268	99.87
	72286389		06/04-	P-U-10	45 mm	80 mm	JIC-72280268	99.87
	72286389		N5GN00813 & AFTER 04/05-	P-U-10	45 mm	80 mm	JIC-72280268	99.87
	87571903		N5GN00813 & AFTER 04/05-	P-U-10	45 mm	80 mm	JIC-72280268	99.87
DOZER	72280252		06/04-	P-U-10	50 mm	100 mm	JIC-72280261	92.70
	72286391		06/04-	P-U-10	50 mm	100 mm	JIC-72280261	92.70
	72286391		N5GN00813 & AFTER 04/05-	P-U-10	50 mm	100 mm	JIC-72280261	92.70
SWING	72280262		06/04-	P-U-10	45 mm	80 mm	JIC-72280268	99.87
	72286392		N5GN00813 & AFTER 04/05-	P-U-10	45 mm	80 mm	JIC-72280268	99.87
MODEL CX50B								
BOOM	72284784		05/04-	P-U-10	45 mm	100 mm	JIC-72284002	97.47
	72284787		05/04-	P-U-10	45 mm	100 mm	JIC-72284002	97.47
	87345193		05/04-	P-U-10	45 mm	100 mm	JIC-72284002	97.47
	87357788		05/04-	P-U-10	45 mm	100 mm	JIC-72284002	97.47
	87579031		N5GN01157 & AFTER 06/05-	P-U-10	45 mm	100 mm	JIC-72284002	97.47
BOOM CAB	87579031		N5GN01157 & AFTER 06/05-	P-U-10	45 mm	100 mm	JIC-72284002	97.47
BOOM CANOPY	87579038		N5GN01157 & AFTER 06/05-	P-U-10	45 mm	100 mm	JIC-72284002	97.47
BUCKET	72284461		05/04-	P-U-10	55 mm	95 mm	JIC-72284000	69.57
	72284461		N5GN01157 & AFTER 06/05-	P-U-10	55 mm	95 mm	JIC-72284000	69.57
DIPPER			N5GN01157 & AFTER 06/05-	P-U-10	50 mm	90 mm	JIC-72283999	139.00
	72284790		05/04-	P-U-10	50 mm	90 mm	JIC-72283999	139.00
	87345185		05/04-	P-U-10	50 mm	90 mm	JIC-72283999	139.00
DOZER			N5GN01157 & AFTER 06/05-	P-U-10	45 mm	75 mm	JIC-72284189	118.38
	72284279		05/04-	P-U-10	45 mm	75 mm	JIC-72284189	118.38
SWING	72283412		N5GN01157 & AFTER 06/05-	P-U-10	50 mm	90 mm	JIC-72284207	113.16
	72283413		05/04-	P-U-10	50 mm	90 mm	JIC-72284207	113.16
MODEL CX55B								
ARM	PS01V00002F1			P-U-1	50 mm		JIC-PS01V00002R400	391.26
	PS01V00002F1			N-N-10		90 mm	JIC-PS01V00002R300	127.44
BOOM	PS01V00001F1			N-N-10		100 mm	JIC-PS01V00001R300	147.44

CASE

CASE

Replacement Kits For

Excavators - Compact								
APPLICATION	CYL #	Piston	SERIAL #	CODE	ROD	BORE	KIT #	List \$
MODEL CX55B								
BOOM	PS01V00001F1			I-U-1	55 mm		JIC-PS01V00001R400	156.30
BUCKET	PS01V00003F1			N-N-10		75 mm	JIC-PS01V00003R300	94.36
	PS01V00003F1			I-U-1	45 mm		JIC-PS01V00003R400	145.48
SWING	PS01V00004F1			P-U-1	50 mm		JIC-PS01V00004R400	345.79
	PS01V00004F1			N-N-10		90 mm	JIC-PS01V00004R300	131.91
MODEL CX55BMSR								
ANGLE DOZER	PY01V00035F2; PY01V00073F1		PS02-00101-; PS02-01794-	P-U-10	45 mm	90 mm	JIC-PH01V00006R100	273.06
ARM	PY01V00050F1			P-U-10	55 mm	90 mm	JIC-PY01V00050R300	208.03
BOOM	PY01V00054F1		PS02-00101-	P-U-10	55 mm	100 mm	JIC-PY01V00054R300	250.86
BUCKET	PY01V00051F1			P-U-10	45 mm	80 mm	JIC-PW01V00062R300	163.96
MODEL CX75SR								
ARM (Offset W/Load Hold)	KAV2439			P-UB-10	60 mm	95 mm	JIC-LZ00471	229.65
ARM (Offset W/O Load Hold)	KAV2438			P-UB-10	60 mm	95 mm	JIC-LZ00471	229.65
ARM (STD W/Load Hold)	KAV2437			P-UB-10	60 mm	95 mm	JIC-LZ00469	189.03
	KAV2437		Tier 3	P-UB-10	60 mm	95 mm	JIC-LZ00469	189.03
ARM (STD W/O Load Hold)	KAV2436			P-UB-10	60 mm	95 mm	JIC-LZ00469	189.03
	KAV2436		Tier 3	P-UB-10	60 mm	95 mm	JIC-LZ00469	189.03
BLADE (W/Load Hold)	KAV2443			P-U-10	60 mm	100 mm	JIC-LZ00474	162.55
BLADE (W/O Load Hold)	KAV2085			P-U-10	60 mm	100 mm	JIC-LZ00474	162.55
	KAV2085		Tier 3	P-U-10	60 mm	100 mm	JIC-LZ00474	162.55
BOOM (Offset)	KAV2442			P-UB-10	55 mm	95 mm	JIC-LZ00472	174.38
	KAV2442		Tier 3	P-UB-10	55 mm	95 mm	JIC-LZ00472	174.38
BOOM (STD W/Load Hold)	KAV2435			P-UB-10	70 mm	110 mm	JIC-LZ00470	120.45
	KAV2435		Tier 3	P-UB-10	70 mm	110 mm	JIC-LZ00470	120.45
BOOM (STD W/O Load Hold)	KAV2434			P-UB-10	70 mm	110 mm	JIC-LZ00470	120.45
	KAV2434		Tier 3	P-UB-10	70 mm	110 mm	JIC-LZ00470	120.45
BUCKET (Offset)	KAV2441			P-UB-10	55 mm	85 mm	JIC-LZ00473	151.08
BUCKET (STD)	KAV2440			P-UB-10	55 mm	85 mm	JIC-LZ00473	151.08
	KAV2440		Tier 3	P-UB-10	55 mm	85 mm	JIC-LZ00473	151.08
Forklifts - Rough Terrain								
APPLICATION	CYL #	Piston	SERIAL #	CODE	ROD	BORE	KIT #	List \$
MODEL 586G								
LIFT	341153A1			P-UB-1	60 mm	2-3/4	JIC-362347A1	87.26
	341187A1			P-UB-1	2	2-1/2	JIC-337742A1	62.19
	348729A1			P-UB-1	2	2-1/2	JIC-337742A1	62.19
	348743A1			P-UB-1	3	3-1/2	JIC-348747A1	83.77
	360622A1			P-UB-1	3	3-1/2	JIC-348747A1	83.77
	360792A1			P-UB-1	2	2-1/2	JIC-337742A1	62.19
SIDESHIFT	327149A1			P-U-10	1-1/4	2-1/2	JIC-79975C2	21.09
STEERING	401055A1			I-U-10	36 mm	63 mm	JIC-401061A1	86.80
	G107720			P-U-10	1-1/2	2-3/4	JIC-86991005	45.61
TILT	318877A1			P-UB-10	1-1/2	3	JIC-1543256C1	54.67
Loaders - Skid Steer								
APPLICATION	CYL #	Piston	SERIAL #	CODE	ROD	BORE	KIT #	List \$
MODEL 40XT								
BACKHOE BOOM D100	G100936			P-UB-10	1-1/2	3	JIC-1543252C1	58.06
BACKHOE BOOM D125	305352A1			P-UB-10	1-1/2	3	JIC-1543256C1	54.67
BACKHOE BUCKET D100	G100936			P-UB-10	1-1/2	3	JIC-1543252C1	58.06

CASE

CASE

Replacement Kits For

Loaders - Skid Steer								
APPLICATION	CYL #	Piston	SERIAL #	CODE	ROD	BORE	KIT #	List \$
MODEL 40XT								
BACKHOE BUCKET D125	402216A1			P-UB-10	1-3/4	2-3/4	JIC-433774A1	43.59
BACKHOE DIPPER D100	G100936			P-UB-10	1-1/2	3	JIC-1543252C1	58.06
BACKHOE DIPPER D125	1346411C3			P-UB-10	1-1/2	3	JIC-1543256C1	54.67
BACKHOE SWING D100	384865A1			I,P-U-1	2-3/4		JIC-398166A1	76.82
BACKHOE SWING D125	379623A1			I,P-U-1	2-3/4		JIC-398166A1	76.82
LIFT	87438185			P-UB-11	1-1/2	2-1/4	JIC-86613644	44.41
LOADER BUCKET	447169A1		JAF0374550- NA, JAF0348069- EU	P-U-10	35 mm	65 mm	JIC-86988481	54.12
LOADER LIFT	447170A1		JAF0374550- NA, JAF0348069- EU	P-U-10	40 mm	60 mm	JIC-86988474	47.47
	86614636		-JAF0374549 NA, - JAF0348068 EU	P-UB-11	1-1/2	2-1/4	JIC-86613644	44.41
STABILIZER Fold Down	101643A1			P-U-10	1.375	3	JIC-H673837	106.10
STABILIZER Vertical	H514117			P-OB-3	1	2	JIC-H52704	22.11
MODEL 60XT								
BACKHOE BOOM D100	G100936			P-UB-10	1-1/2	3	JIC-1543252C1	58.06
BACKHOE BOOM D125	305352A1			P-UB-10	1-1/2	3	JIC-1543256C1	54.67
BACKHOE BUCKET D100	G100936			P-UB-10	1-1/2	3	JIC-1543252C1	58.06
BACKHOE BUCKET D125	402216A1			P-UB-10	1-3/4	2-3/4	JIC-433774A1	43.59
BACKHOE DIPPER D100	G100936			P-UB-10	1-1/2	3	JIC-1543252C1	58.06
BACKHOE DIPPER D125	1346411C3			P-UB-10	1-1/2	3	JIC-1543256C1	54.67
BACKHOE SWING D100	384865A1			I,P-U-1	2-3/4		JIC-398166A1	76.82
BACKHOE SWING D125	379623A1			I,P-U-1	2-3/4		JIC-398166A1	76.82
LOADER BUCKET	447171A1		JAF0350357- NA, JAF0350744- EU	P-U-10	35 mm	70 mm	JIC-86988490	69.77
	86614637		-JAF0350356 NA, - JAF0350743 EU	P-UB-11	1-3/8	2-3/4	JIC-86613643	65.29
LOADER LIFT	447173A1		JAF0350357- NA, JAF0350744- EU	P-U-10	40 mm	65 mm	JIC-86988486	43.74
	86614638		-JAF0350356 NA, - JAF0350743 EU	P-UB-11	1-1/2	2-1/2	JIC-86631598	44.66
STABILIZER Fold Down	101643A1			P-U-10	1.375	3	JIC-H673837	106.10
STABILIZER Vertical	H514117			P-OB-3	1	2	JIC-H52704	22.11
TILT	87438187			P-UB-11	1-3/8	2-3/4	JIC-86613643	65.29
	87438193			P-U-11	1-1/2	3	JIC-86614269	44.43
MODEL 70XT								
BACKHOE BOOM	305352A1			P-UB-10	1-1/2	3	JIC-1543256C1	54.67
BACKHOE BUCKET	402216A1			P-UB-10	1-3/4	2-3/4	JIC-433774A1	43.59
BACKHOE DIPPER	1346411C3			P-UB-10	1-1/2	3	JIC-1543256C1	54.67
BACKHOE SWING	379623A1			I,P-U-1	2-3/4		JIC-398166A1	76.82
LIFT	87438190			P-UB-11	1-1/2	2-1/2	JIC-86631598	44.66
LOADER BUCKET	447172A1		JAF0371244- NA, JAF0351855- EU	P-U-10	35 mm	75 mm	JIC-86988494	67.81
	86614639		-JAF0371243 NA, - JAF0351854 EU	P-U-11	1-1/2	3	JIC-86614269	44.43
LOADER LIFT	447173A1		JAF0350744- NA, JAF0371244- EU	P-U-10	40 mm	65 mm	JIC-86988486	43.74
	86614638		-JAF0371243 NA, - JAF0351854 EU	P-UB-11	1-1/2	2-1/2	JIC-86631598	44.66
STABILIZER Fold Down	101643A1			P-U-10	1.375	3	JIC-H673837	106.10
STABILIZER Vertical	H514117			P-OB-3	1	2	JIC-H52704	22.11
TILT	87438187			P-UB-11	1-3/8	2-3/4	JIC-86613643	65.29
	87438193			P-U-11	1-1/2	3	JIC-86614269	44.43
MODEL 75XT								
BACKHOE BOOM	1346450C2			P-UB-10	1-1/2	3	JIC-1543256C1	54.67
	305352A1		JAF0318922- NA, JAF0352169- EU	P-UB-10	1-1/2	3	JIC-1543256C1	54.67

CASE

Replacement Kits For

CASE

Loaders - Skid Steer								
APPLICATION	CYL #	Piston	SERIAL #	CODE	ROD	BORE	KIT #	List \$
MODEL 75XT								
BACKHOE BUCKET	1346397C2			P-UB-10	1-1/2	2-3/4	JIC-1346409C2	122.78
	402216A1		JAF0318922- NA, JAF0352169- EU	P-UB-10	1-3/4	2-3/4	JIC-433774A1	43.59
BACKHOE DIPPER	1346411C2			P-UB-10	1-1/2	3	JIC-1543256C1	54.67
	1346411C3			P-UB-10	1-1/2	3	JIC-1543256C1	54.67
	1346411C3		JAF0318922- NA, JAF0352169- EU	P-UB-10	1-1/2	3	JIC-1543256C1	54.67
BACKHOE SWING	379623A1			I,P-U-1	2-3/4		JIC-398166A1	76.82
	H673149			P-OB-1	2-3/4		JIC-H53041	30.04
LOADER BUCKET	259694A3			P-UB-10	1-1/4	2-1/2	JIC-252828A3	33.96
LOADER LIFT	305509A2			P-UB-10	1-1/2	2-1/4	JIC-305517A3	48.56
	336187A1			P-UB-10,12	1-3/4	2-1/2	JIC-198376A2	68.90
STABILIZER (FOLD DOWN)	101643A1			P-U-10	1-3/8	3	JIC-700710260	106.10
STABILIZER (VERTICAL)	H514117			P-OB-3	1	2	JIC-H52704	22.11
MODEL 85XT								
BACKHOE BOOM	1346450C2			P-UB-10	1-1/2	3	JIC-1543256C1	54.67
	305352A1		JAF0352234- NA, JAF0352715- EU	P-UB-10	1-1/2	3	JIC-1543256C1	54.67
BACKHOE BUCKET	1346397C2			P-UB-10	1-1/2	2-3/4	JIC-1346409C2	122.78
	402216A1		JAF0352234- NA, JAF0352715- EU	P-UB-10	1-3/4	2-3/4	JIC-433774A1	43.59
BACKHOE DIPPER	1346411C2			P-UB-10	1-1/2	3	JIC-1543256C1	54.67
	1346411C3		JAF0352234- NA, JAF0352715- EU	P-UB-10	1-1/2	3	JIC-1543256C1	54.67
BACKHOE SWING	379623A1			I,P-U-1	2-3/4		JIC-398166A1	76.82
	H673149			P-OB-1	2-3/4		JIC-H53041	30.04
LOADER BUCKET	258425A3			P-UB-10,12	1-3/8	2-3/4	JIC-275503A2	69.67
	258426A3		JAF0352234- NA, JAF0352715- EU	P-UB-10,12	1-3/8	2-3/4	JIC-275503A2	69.67
LOADER LIFT	189980A3			P-UB-10,12	1-3/4	2-1/2	JIC-198376A2	68.90
	336187A1		JAF0352234- NA, JAF0352715- EU	N-UB-1	1-3/4		JIC-1542875C1	24.28
STABILIZER (FOLD DOWN)	101643A1			P-U-10	1-3/8	3	JIC-700710260	106.10
STABILIZER (VERTICAL)	H514117			P-OB-3	1	2	JIC-H52704	22.11
MODEL 90XT								
BACKHOE BOOM	1346450C2			P-UB-10	1-1/2	3	JIC-1543256C1	54.67
	305352A1			P-UB-10	1-1/2	3	JIC-1543256C1	54.67
BACKHOE BUCKET	1346397C2			P-UB-10	1-1/2	2-3/4	JIC-1346409C2	122.78
	402216A1		JAF0320050- NA, JAF0274262- EU	P-UB-10	1-3/4	2-3/4	JIC-433774A1	43.59
BACKHOE DIPPER	1346411C2			P-UB-10	1-1/2	3	JIC-1543256C1	54.67
	1346411C3			P-UB-10	1-1/2	3	JIC-1543256C1	54.67
BACKHOE SWING	379623A1			I,P-U-1	2-3/4		JIC-398166A1	76.82
	H673149			P-OB-1	2-3/4		JIC-H53041	30.04
LOADER BUCKET	186988A3			P-UB-10	1-3/8	2-1/4	JIC-231921A2	48.39
	327411A1			P-UB-10	1-1/2	2-1/2	JIC-128725A1	39.13
LOADER LIFT	279527A2			P-U-10	1-3/4	2-1/4	JIC-231726A3	51.76
	308258A2			P-U-10	1-3/4	2-1/4	JIC-231726A3	51.76
	308259A1			P-U-10	1-3/4	2-1/4	JIC-231726A3	51.76
STABILIZER (FOLD DOWN)	101643A1			P-U-10	1-3/8	3	JIC-700710260	106.10
STABILIZER (VERTICAL)	H514117			P-OB-3	1	2	JIC-H52704	22.11
TRENCHER BOOM LIFT	221700A1		JAF0320050- NA, JAF0274262- EU	P-U-10	1-3/4	3-1/2	JIC-235933A1	42.81
MODEL 95XT								
BACKHOE BOOM	1346450C2	1pc		P-UB-10	1-1/2	3	JIC-1543256C1	54.67
BACKHOE BUCKET	1346397C2	1pc		P-UB-10	1-1/2	2-3/4	JIC-1346409C2	122.78
BACKHOE DIPPER	1346411C2	1pc		P-UB-10	1-1/2	3	JIC-1543256C1	54.67

CASE

CASE

Replacement Kits For

Loaders - Skid Steer								
APPLICATION	CYL #	Piston	SERIAL #	CODE	ROD	BORE	KIT #	List \$
MODEL 95XT								
BACKHOE SWING	H673149			P-OB-1	2-3/4		JIC-H53041	30.04
LOADER BUCKET	258426A2	1pc		P-UB-10,12	1-3/8	2-3/4	JIC-275503A2	69.67
LOADER LIFT	139091A3	1pc		P-UB-10,12	1-3/4	2-1/2	JIC-198376A2	68.90
STABILIZER (Fold Down)	101643A1	1pc		P-U-10	1-3/8	3	JIC-700710260	106.10
STABILIZER (Vertical)	H514117	1pc		P-OB-3	1	2	JIC-H52704	22.11
TRENCHER BOOM LIFT	221700A1	1pc		P-U-10	1-3/4	3-1/2	JIC-235933A1	42.81
MODEL 1818								
BUCKET TILT	D136128	1pc		P-U-10	1	2	JIC-N14638	46.69
LOADER BUCKET	104517A1	1pc		P-U-10	1	2	JIC-110510A1	84.04
LOADER LIFT	104516A1	1pc		P-U-10	1-3/8	2	JIC-110507A1	84.04
	D136838	1pc		P-U-10	1-1/4	2	JIC-N14639	57.25
MODEL 1825								
BUCKET TILT	D136128	1pc		P-U-10	1	2	JIC-N14638	46.69
LOADER BUCKET	104517A1	1pc		P-U-10	1	2	JIC-110510A1	84.04
LOADER LIFT	104516A1	1pc		P-U-10	1-3/8	2	JIC-110507A1	84.04
	D136838	1pc		P-U-10	1-1/4	2	JIC-N14639	57.25
MODEL 1835								
GRAPPLE	D61075	1pc		P-U-10	1	2	JIC-D61006	10.60
LOADER BUCKET		1pc		P-UB-10	1-1/4	2-1/2	JIC-G109476	43.91
	G103407	1pc		P-UB-10	1-1/4	2-1/2	JIC-G105507	36.25
LOADER LIFT		1pc		P-UB-10	1-1/2	2-1/2	JIC-G109458	32.22
	G34864	1pc		P-U-10	1-1/4	2-1/8	JIC-G34819	32.52
MODEL 1835B								
GRAPPLE	D61075	1pc		P-U-10	1	2	JIC-D61006	10.60
LOADER BUCKET	G103407	1pc		P-UB-10	1-1/4	2-1/2	JIC-G109476	43.91
LOADER LIFT		1pc		P-UB-10	1-1/2	2-1/2	JIC-G109458	32.22
	G106818	1pc		P-UB-10	1-1/2	2-1/2	JIC-128725A1	39.13
MODEL 1835C								
BUCKET TILT	118110A1	1pc	JAF0130838-	P-U-10	1-1/4	2-1/2	JIC-128728A1	33.11
	G103407	1pc	-JAF0130838	P-U-10	1-1/4	2-1/2	JIC-128728A1	33.11
GRAPPLE	D61075	1pc		P-U-10	1	2	JIC-D61006	10.60
LIFT		1pc		P-U-10	1-1/4	2-1/8	JIC-G34819	32.52
	117824A1	1pc	JAF0130838-	P-UB-10	1-1/2	2-1/2	JIC-128725A1	39.13
	G110666	1pc	-JAF0130838	P-UB-10	1-1/2	2-1/2	JIC-128725A1	39.13
MODEL 1838								
BACKHOE BOOM, DIPPER, & BUCKET	G100936	1pc		P-UB-10	1-1/2	3	JIC-1543252C1	58.06
BACKHOE DIPPER	G109376	1pc		P-UB-10	1-1/2	3	JIC-1543313C1	68.90
BACKHOE SWING	H514125			P-OB-1	2-3/4		JIC-H53041	30.04
GRAPPLE	D61010	1pc		P-U-10	1	2	JIC-D61006	10.60
LOADER BUCKET TILT	118110A1	1pc		P-U-10	1-1/4	2-1/2	JIC-128728A1	33.11
LOADER LIFT	117824A1	1pc		P-UB-10	1-1/2	2-1/2	JIC-128725A1	39.13
STABILIZER (Fold Down)	101643A1	1pc		P-U-10	1-3/8	3	JIC-700710260	106.10
STABILIZER (Vertical)	H514117	1pc		P-OB-3	1	2	JIC-H52704	22.11
MODEL 1840								
BACKHOE BOOM	1346450C2	1pc		P-UB-10	1-1/2	3	JIC-1543256C1	54.67
BACKHOE BUCKET	1346397C2	1pc		P-UB-10	1-1/2	2-3/4	JIC-1346409C2	122.78
BACKHOE DIPPER	1346411C1	1pc		P-UB-10	1-1/2	3	JIC-1543256C1	54.67
BACKHOE SWING	H673149			P-OB-1	2-3/4		JIC-H53041	30.04
GRAPPLE	D61075	1pc		P-U-10	1	2	JIC-D61006	10.60
LOADER BUCKET TILT	118110A1	1pc		P-U-10	1-1/4	2-1/2	JIC-128728A1	33.11
	G103407	1pc		P-U-10	1-1/4	2-1/2	JIC-128728A1	33.11
LOADER LIFT	117824A1	1pc		P-UB-10	1-1/2	2-1/2	JIC-128725A1	39.13
	G110666	1pc		P-UB-10	1-1/2	2-1/2	JIC-128725A1	39.13
STABILIZER (Vertical)	H514117	1pc		P-OB-3	1	2	JIC-H52704	22.11

CASE

CASE

Replacement Kits For

Loaders - Skid Steer								
APPLICATION	CYL #	Piston	SERIAL #	CODE	ROD	BORE	KIT #	List \$
MODEL 1845, 1845S								
4-IN-1 BUCKET	G33748	1pc		P-UB-10	1-1/2	3	JIC-1543313C1	68.90
BUCKET DUMP	G34926	1pc		P-UB-10	1-1/4	2-1/2	JIC-G105507	36.25
LOADER LIFT - 1845	G37917	1pc		P-UB-10	1-1/2	2-1/2	JIC-128725A1	39.13
LOADER LIFT - 1845S	G100295	1pc		P-UB-10	1-1/2	2-1/2	JIC-128725A1	39.13
SCARIFIER	G33744	1pc		P-UB-10	1-1/2	3	JIC-1543313C1	68.90
MODEL 1845B								
LOADER BUCKET	G34926	1pc		P-UB-10	1-1/4	2-1/2	JIC-G109476	43.91
LOADER CLAM	G33748	1pc		P-UB-10	1-1/2	3	JIC-1543313C1	68.90
LOADER LIFT	G100295	1pc		P-UB-10	1-1/2	2-1/2	JIC-128725A1	39.13
SCARIFIER	G33744	1pc		P-UB-10	1-1/2	3	JIC-1543313C1	68.90
MODEL 1845C								
BACKHOE BOOM	1346450C2	1pc		P-UB-10	1-1/2	3	JIC-1543256C1	54.67
BACKHOE BUCKET	1346397C2	1pc		P-UB-10	1-1/2	2-3/4	JIC-1346409C2	122.78
BACKHOE DIPPER	1346411C1	1pc		P-UB-10	1-1/2	3	JIC-1543256C1	54.67
	G109376	1pc		P-UB-10	1-1/2	3	JIC-1543313C1	68.90
BACKHOE SWING	H673149			P-OB-1	2-3/4		JIC-H53041	30.04
BOOM, DIPPER, & BUCKET	G100936	1pc		P-UB-10	1-1/2	3	JIC-1543252C1	58.06
LOADER BUCKET	G34926	1pc		P-U-10	1-1/4	2-1/2	JIC-128728A1	33.11
LOADER LIFT	117903A1	1pc		P-UB-10	1-1/2	2-1/2	JIC-128725A1	39.13
	129011A1	1pc		P-UB-10	1-1/2	2-1/2	JIC-128725A1	39.13
	G109773	1pc		P-UB-10	1-1/2	2-1/2	JIC-128725A1	39.13
	G109777	1pc		P-UB-10	1-1/2	2-1/2	JIC-128725A1	39.13
STABILIZER	101643A1	1pc		P-U-10	1-3/8	3	JIC-700710260	106.10
	H514117	1pc		P-OB-3	1	2	JIC-H52704	22.11
	H672226	1pc		P-U-10	1-3/8	3	JIC-700710260	106.10
SWING	H514125			P-OB-1	2-3/4		JIC-H53041	30.04
MODEL SR200								
BUCKET	84290567	4/11-		P-UB-10	1-3/8	2-3/4	JIC-84480953	58.70
LIFT	84231611	4/11-		P-UB-10	1-3/4	2-1/2	JIC-87705824	37.77
MODEL SR220								
BUCKET	84290563	4/11-		P-UB-10	1-1/2	3	JIC-84480948	38.53
LIFT	84303684	4/11-		P-UB-10	1-3/4	2-1/2	JIC-87705824	37.77
MODEL SR250								
BUCKET	47364444	7/12-	Tier 4A	I-UB-10	1-1/2	3	JIC-47364492	34.69
	84290563	4/11-		P-UB-10	1-1/2	3	JIC-84480948	38.53
LIFT	47364858	7/12-	Tier 4A	I-UB-10	1-3/4	2-3/4	JIC-47364907	35.12
	84303684	4/11-		P-UB-10	1-3/4	2-1/2	JIC-87705824	37.77
MODEL SV185								
BUCKET	47364448		35.723.AA	I-UB-10	1-3/8	2-1/2	JIC-47364494	89.43
	84480956		35.723.AA [01]	P-UB-10	1-3/8	2-1/2	JIC-84480956	78.70
COUPLER	87442337		35.734.AA [04]	I-U-11	1-3/4	1-1/2	JIC-86518284	25.34
LIFT (LH)	84543463		35.701.CB [01]	P-UB-10,12	1-3/4	2	JIC-84480921	55.10
LIFT (RH)	84543464		35.701.CB [02]	P-UB-10,12	1-3/4	2	JIC-84480921	55.10
MODEL SV250								
BUCKET	47364444	1/13-	Tier 4A	I-UB-10	1-1/2	3	JIC-47364492	34.69
	84290563	4/11-		P-UB-10	1-1/2	3	JIC-84480948	38.53
LIFT LH	84358576	4/11-		P-UB-10,12	1-3/4	2	JIC-84480921	55.10
	84494545	1/13-	Tier 4A	P-UB-10,12	1-3/4	2	JIC-84480921	55.10
LIFT RH	84358575	4/11-		P-UB-10,12	1-3/4	2	JIC-84480921	55.10
	84494544	1/13-	Tier 4A	P-UB-10,12	1-3/4	2	JIC-84480921	55.10
MODEL SV300								
BUCKET	47364444	7/12-	Tier 4A	I-UB-10	1-1/2	3	JIC-47364492	34.69
	84290563			P-UB-10	1-1/2	3	JIC-84480948	38.53
LIFT	47364858	7/12-	Tier 4A	I-UB-10	1-3/4	2-3/4	JIC-47364907	35.12
LIFT LH	84358576	4/11-	NCM445112 NA, NCM458434 EU	P-UB-10,12	1-3/4	2	JIC-84480921	55.10

CASE

Replacement Kits For

CASE

Loaders - Skid Steer									
APPLICATION	CYL #	Piston	SERIAL #	CODE	ROD	BORE	KIT #	List \$	
MODEL SV300									
LIFT LH	84558165	4/11-	NCM445112 NA, NCM458434 EU	P-UB-10,12	2	2-3/4	JIC-84530079	57.54	
	84558165	7/12-	Tier 4A	P-UB-10,12	2	2-3/4	JIC-84530079	57.54	
LIFT RH	84358575	4/11-	NCM445112 NA, NCM458434 EU	P-UB-10,12	1-3/4	2	JIC-84480921	55.10	
	84558166	4/11-	NCM445112 NA, NCM458434 EU	P-UB-10,12	2	2-3/4	JIC-84530079	57.54	
Loaders - Track Skid Steer									
APPLICATION	CYL #	Piston	SERIAL #	CODE	ROD	BORE	KIT #	List \$	
MODEL TR270									
BOOM	47364862		35.701.CB	I-UB-10	1-3/4	2-1/2	JIC-47364908	82.27	
BUCKET	47364446		35.723.AA	I-UB-10	1-3/8	2-1/2	JIC-47364493	90.62	
	84290567		35.723.AA [01]	P-UB-10	1-3/8	2-3/4	JIC-84480953	58.70	
LIFT	84231611		35.701.CB [01]	P-UB-10	1-3/4	2-1/2	JIC-87705824	37.77	
MODEL TR320									
BUCKET	47364444		35.723.AA [03]	I-UB-10	1-1/2	3	JIC-47364492	34.69	
	47364444		35.730.02	I-UB-10	1-1/2	3	JIC-47364492	34.69	
	84290563		35.723.AA [01]	P-UB-10	1-1/2	3	JIC-84480948	38.53	
LIFT	84303684		35.701.CB [01]	P-UB-10	1-3/4	2-1/2	JIC-87705824	37.77	
	84575712		35.701.CB [02]	P-UB-10	1-3/4	2-3/4	JIC-84576195	87.04	
LIFT (LH)	47364858		35.730.01	I-UB-10	1-3/4	2-3/4	JIC-47364907	35.12	
LIFT (RH)	47364858		35.730.01	I-UB-10	1-3/4	2-3/4	JIC-47364907	35.12	
MODEL TV380									
BOOM (LH)	47416033		35.723.010	I-UB-10	1-3/4	2-3/4	JIC-47416073	99.86	
BOOM (RH)	47416034		35.723.030	I-UB-10	1-3/4	2-3/4	JIC-47416073	99.86	
BUCKET	47364444		35.723.AA	I-UB-10	1-1/2	3	JIC-47364492	34.69	
	47364444		35.723.AA [03]	I-UB-10	1-1/2	3	JIC-47364492	34.69	
	47364444		35.730.02	I-UB-10	1-1/2	3	JIC-47364492	34.69	
	47364858		35.723.010	I-UB-10	1-3/4	2-3/4	JIC-47364907	35.12	
	84290563		35.723.AA [01]	P-UB-10	1-1/2	3	JIC-84480948	38.53	
	87442337		35.734.AA [01]	I-U-11	1-3/4	1-1/2	JIC-86518284	25.34	
COUPLER	87442337		35.734.AA [01]	I-U-11	1-3/4	1-1/2	JIC-86518284	25.34	
	LIFT (LH)	47416033		35.701.CB [01]	I-UB-10	1-3/4	2-3/4	JIC-47416073	99.86
		47416033		35.701.CB [06]	I-UB-10	1-3/4	2-3/4	JIC-47416073	99.86
		47416033		35.730.01 [02]	I-UB-10	1-3/4	2-3/4	JIC-47416073	99.86
	84358576		35.701.CB [03]	P-UB-10,12	1-3/4	2	JIC-84480921	55.10	
	84558165		35.701.CB [04]	P-UB-10,12	2	2-3/4	JIC-84530079	57.54	
	84558165		35.730.01	P-UB-10,12	2	2-3/4	JIC-84530079	57.54	
	LIFT (RH)	47416034		35.701.CB [02]	I-UB-10	1-3/4	2-3/4	JIC-47416073	99.86
		47416034		35.701.CB [03]	I-UB-10	1-3/4	2-3/4	JIC-47416073	99.86
		47416034		35.730.01 [01]	I-UB-10	1-3/4	2-3/4	JIC-47416073	99.86
84358575			35.701.CB [01]	P-UB-10,12	1-3/4	2	JIC-84480921	55.10	
84558165			35.730.01	P-UB-10,12	2	2-3/4	JIC-84530079	57.54	
84558166			35.701.CB [02]	P-UB-10,12	2	2-3/4	JIC-84530079	57.54	
84558166			35.730.01	P-UB-10,12	2	2-3/4	JIC-84530079	57.54	
Loaders - Wheel									
APPLICATION	CYL #	Piston	SERIAL #	CODE	ROD	BORE	KIT #	List \$	
MODEL 521D									
LOADER BUCKET	336396A2		-JEE0135500	P-UB-10	2-1/2	4-1/2	JIC-360982A1	91.32	
	368885A1		-JEE0135500	P-UB-10	2-1/4	3-3/4	JIC-358013A1	71.75	
LOADER BUCKET (XT)	87405381		JEE0135501-	P-UB-10	2-1/4	4-1/8	JIC-381101A1	125.49	
	87446958		JEE0135501-	P-UB-10	2-1/4	4	JIC-360979A1	72.63	
LOADER BUCKET (Z-BAR)	87366674		JEE0135501-	P-UB-10	2-1/2	4-1/2	JIC-87434291	91.32	
	87405363		JEE0135501-	P-UB-10	2-1/2	4-1/2	JIC-360982A1	91.32	
LOADER LIFT	337568A1		-JEE0135500	P-UB-10	2-1/4	4	JIC-360979A1	72.63	
LOADER LIFT (XR)	87405374		JEE0135501-	P-UB-10	2-1/2	4-1/2	JIC-360982A1	91.32	
LOADER LIFT (XT)	87366683		JEE0135501-	P-UB-10	2-1/4	4	JIC-360979A1	72.63	

CASE

CASE

Replacement Kits For

Loaders - Wheel								
APPLICATION	CYL #	Piston	SERIAL #	CODE	ROD	BORE	KIT #	List \$
MODEL 521D								
LOADER LIFT (XT)	87405367		JEE0135501-	P-UB-10	2-1/4	4	JIC-360979A1	72.63
LOADER LIFT (Z-BAR)	87405374		JEE0135501-	P-UB-10	2-1/2	4-1/2	JIC-360982A1	91.32
LOADER LIFT (Z-BAR/XT)	87317750		JEE0135501-	P-UB-10	2-1/4	4	JIC-360979A1	72.63
	87366683		JEE0135501-	P-UB-10	2-1/4	4	JIC-360979A1	72.63
MODEL 621B								
LOADER CLAM	S301431	1pc		I-U-10	2	4	JIC-S301442	48.35
LOADER LIFT	1343595C1			P-UB-10	3	5	JIC-1543305C1	122.26
	1343596C1	1pc		P-UB-10	3	5	JIC-1543305C1	122.26
LOADER TILT, XT LOADER	112551A1	1pc		P-UB-10	2-1/4	4-1/2	JIC-1543279C1	77.73
LOADER TILT, Z-BAR	1343552C2	1pc		P-UB-10	3	6	JIC-G110526	124.20
STEERING	1976862C1	1pc		P-UB-10	1-3/4	3	JIC-1543267C1	67.57
MODEL 621C								
LOADER LIFT	280706A1		ALL	P-UB-10	3	5	JIC-1543305C1	122.26
LOADER TILT	112551A1		ALL	P-UB-10	2-1/4	4-1/2	JIC-1543279C1	77.73
	125872A1		ALL	P-UB-10	3	6	JIC-1543306C1	147.43
	1343552C2		ALL	P-UB-10	3	6	JIC-1543306C1	147.43
STEERING	1976862C1		ALL	P-UB-10	1-3/4	3	JIC-1543267C1	67.57
MODEL 621D								
LOADER BUCKET (XR)	87366695		JEE0135501-	P-UB-10	3	5	JIC-87434293	109.19
	87405382		JEE0135501-	P-UB-10	3	5	JIC-360984A1	109.19
LOADER BUCKET (XT)	87405381		JEE0135501-	P-UB-10	2-1/4	4-1/8	JIC-381101A1	125.49
	87442555		JEE0135501-	P-UB-10	2-1/2	4-1/2	JIC-360982A1	91.32
LOADER BUCKET (Z-BAR)	87366688		JEE0135501-	P-UB-10	3	5	JIC-87434293	109.19
	87405371		JEE0135501-	P-UB-10	3	5	JIC-360984A1	109.19
LOADER LIFT	87318060		JEE0135501-	P-UB-10	2-1/2	4-1/2	JIC-360982A1	91.32
	87366691		JEE0135501-	P-UB-10	2-1/2	4-1/2	JIC-360982A1	91.32
	87405374		JEE0135501-	P-UB-10	2-1/2	4-1/2	JIC-360982A1	91.32
MODEL 621E								
LOADER BUCKET (XR)	87366695			P-UB-10	3	5	JIC-87434293	109.19
LOADER BUCKET (XT)	87442555			P-UB-10	2-1/2	4-1/2	JIC-360982A1	91.32
LOADER BUCKET (Z-BAR)	87366688			P-UB-10	3	5	JIC-87434293	109.19
LOADER LIFT	87577649			P-UB-10	2-1/2	4-3/4	JIC-87598751	92.26
STEERING	87452362			P-UB-10,12	1-3/4	3	JIC-8605261	63.00
MODEL 621F								
LOADER BUCKET (XR/LR)	87577650			P-UB-10	2-1/2	4-3/4	JIC-87598751	92.26
LOADER LIFT (XT/TC)	87577650			P-UB-10	2-1/2	4-3/4	JIC-87598751	92.26
LOADER LIFT (Z-BAR)	87577650			P-UB-10	2-1/2	4-3/4	JIC-87598751	92.26
LOADER TILT (XR/LR)	87366695			P-UB-10	3	5	JIC-87434293	109.19
LOADER TILT (XT/TC)	87442555			P-UB-10	2-1/2	4-1/2	JIC-360982A1	91.32
LOADER TILT (Z-BAR)	87366689			P-UB-10	3	5	JIC-87434293	109.19
STEERING	87452362			P-UB-10,12	1-3/4	3	JIC-8605261	63.00
MODEL 721B								
LOADER CLAM	S301431	1pc		I-U-10	2	4	JIC-S301442	48.35
LOADER LIFT	1343595C1	1pc		P-UB-10	3	5	JIC-1543305C1	122.26
	1343596C1	1pc		P-UB-10	3	5	JIC-1543305C1	122.26
LOADER TILT, XT LOADER	112551A1	1pc		P-UB-10	2-1/4	4-1/2	JIC-1543279C1	77.73
LOADER TILT, Z-BAR	1980347C4	1pc		P-UB-10	3	6-1/2	JIC-1543303C1	204.91
STEERING	1976862C1	1pc		P-UB-10	1-3/4	3	JIC-1543267C1	67.57
MODEL 721C								
LOADER LIFT	280706A1		ALL	P-UB-10	3	5	JIC-1543305C1	122.26
LOADER TILT	112551A1		ALL	P-UB-10	2-1/4	4-1/2	JIC-1543279C1	77.73
	125873A1		ALL	P-UB-10	3	6-1/2	JIC-1543303C1	204.91
	308986A1		ALL	P-UB-10	3	6-1/2	JIC-1543303C1	204.91
STEERING	1976862C1		ALL	P-UB-10	1-3/4	3	JIC-1543267C1	67.57
MODEL 721D								
LOADER BUCKET (XT)	87324809		01/03-	I-UB-10	2-1/4	4-1/2	JIC-87440117	63.03

CASE

Replacement Kits For

CASE

Loaders - Wheel								
APPLICATION	CYL #	Piston	SERIAL #	CODE	ROD	BORE	KIT #	List \$
MODEL 721D								
LOADER BUCKET (XT)	87440056		01/03-	I-UB-10	2-1/4	4-1/2	JIC-87440117	63.03
LOADER BUCKET (Z-BAR)	8605291		01/03-	P-UB-10	3	5-3/4	JIC-8605263	116.03
	87441197		01/03-	P-UB-10	3	5-3/4	JIC-87442965	116.03
LOADER LIFT (Z-BAR/XT)	8605290		01/03-	P-UB-10	3	4-3/4	JIC-8605262	133.28
	87318066		01/03-	P-UB-10	3	4-3/4	JIC-8605262	133.28
MODEL 721E								
LOADER BUCKET (XR)	87691131			P-UB-10	3	5-3/4	JIC-87495411	134.66
LOADER BUCKET (XT)	87324809			I-UB-10	2-1/4	4-1/2	JIC-87440117	63.03
LOADER BUCKET (Z-BAR)	87441197			P-UB-10	3	5-3/4	JIC-87442965	116.03
LOADER LIFT	87318066			P-UB-10	3	4-3/4	JIC-8605262	133.28
STEERING	87452362			P-UB-10,12	1-3/4	3	JIC-8605261	63.00
MODEL 721F								
LOADER BUCKET (XR)	87691131			P-UB-10	3	5-3/4	JIC-87495411	134.66
LOADER BUCKET (XT)	87324809			I-UB-10	2-1/4	4-1/2	JIC-87440117	63.03
LOADER BUCKET (Z-BAR)	87441197			P-UB-10	3	5-3/4	JIC-87442965	116.03
LOADER LIFT	87319194			P-UB-10	3	4-3/4	JIC-8605262	133.28
LOADER LIFT (XT)	87319194			I-UB-10	2-1/4	4-1/2	JIC-87440117	63.03
STEERING	87452362			P-UB-10,12	1-3/4	3	JIC-8605261	63.00
MODEL 821B								
LOADER CLAM	S301000	1pc		I-U-10	2-1/2	5	JIC-S301013	81.02
LOADER LIFT	1986601C1	1pc		P-UB-10	3-1/2	6	JIC-1986823C2	204.46
LOADER TILT	1980386C3	1pc		P-UB-10	3-1/2	7	JIC-1543309C1	214.05
STEERING	1986978C1	1pc		P-UB-10	1-3/4	3-1/2	JIC-1543266C1	68.84
MODEL 821C								
LOADER LIFT	1986601C1		ALL	P-UB-10	3-1/2	6	JIC-1986823C2	204.46
LOADER TILT	190385C3		ALL	P-UB-10	3-1/2	7	JIC-1543309C1	214.05
STEERING	229402A1		ALL	P-UB-10	1-3/4	3-1/2	JIC-1543266C1	68.84
MODEL 821E								
LOADER BUCKET (XR)	87696084		8/06-	P-UB-10	3-1/2	6-1/2	JIC-87529743	235.55
LOADER BUCKET (Z-BAR)	87337179		8/06-	P-UB-10	3-1/2	6-1/2	JIC-87529743	235.55
LOADER LIFT	87337177		8/06-	P-UB-10	3	5-1/4	JIC-87530718	144.78
STEERING	87307850		8/06-	P-UB-10,12	1-3/4	3-1/4	JIC-87363451	161.16
MODEL 821F								
COUPLER	84139131		Tier 4/ Tier 2	I-U-10	1	2-1/2	JIC-87741101	160.10
LIFT	84244454		Tier 4/ Tier 2	P-UB-14	3	5-1/2	JIC-84244457	289.24
	84244454		Tier 4B	P-UB-14	3	5-1/2	JIC-84244457	289.24
	84244456		Tier 4/ Tier 2	P-UB-14	3	5-1/2	JIC-84244457	289.24
STEERING LH	47415407		Tier 4/ Tier 2 NDF220261-	P-UB-10,12	1-3/4	3-1/4	JIC-87363451	161.16
	47415407		Tier 4B	P-UB-10,12	1-3/4	3-1/4	JIC-87363451	161.16
	84351777		Tier 4/ Tier 2 - NDF220260	P-UB-10,12	1-3/4	3-1/4	JIC-87363451	161.16
STEERING RH	47412984		Tier 4/ Tier 2 NDF220261-	P-UB-10,12	1-3/4	3-1/4	JIC-87363451	161.16
	47412984		Tier 4B	P-UB-10,12	1-3/4	3-1/4	JIC-87363451	161.16
	84351775		Tier 4/ Tier 2 - NDF220260	P-UB-10,12	1-3/4	3-1/4	JIC-87363451	161.16
TILT (XR)	87696084		Tier 4/ Tier 2	P-UB-10	3-1/2	6-1/2	JIC-87529743	235.55
	87696086		Tier 4B	P-UB-10	3-1/2	6-1/2	JIC-87529743	235.55
TILT (Z-BAR)	87337179		Tier 4/ Tier 2	P-UB-10	3-1/2	6-1/2	JIC-87529743	235.55
	87337180		Tier 4B	P-UB-10	3-1/2	6-1/2	JIC-87529743	235.55
MODEL 921								
LOADER LIFT	1986603C1	1pc		P-UB-10	4	7	JIC-1986920C2	235.58
LOADER TILT	1346171C3	1pc		P-UB-10	4	8	JIC-1346357C2	307.28
STEERING	1346169C2	1pc	1346267C1 & 1346268C1	P-UB-10	2	4	JIC-1543269C1	84.21

CASE

Replacement Kits For

CASE

Loaders - Wheel								
APPLICATION	CYL #	Piston	SERIAL #	CODE	ROD	BORE	KIT #	List \$
MODEL 921								
STEERING	1346169C2	1pc	1346269C1 Gland	P-UB-10	2	4	JIC-1543269C1	84.21
MODEL 921C								
LOADER LIFT	1986603C1		ALL	P-UB-10	4	7	JIC-1986920C2	235.58
LOADER TILT	1346171C3		ALL	P-UB-10	4	8	JIC-1346357C2	307.28
STEERING	1346169C4		ALL	P-UB-10	2	4	JIC-1543269C1	84.21
MODEL W8E								
LOADER LIFT		2pc		P-U-9	2-1/2	5	JIC-G32184	94.68
LOADER TILT		2pc		P-U-9	1-3/4	3-1/2	JIC-G32228	54.67
MODEL W9, W9A, W9B, W9C, W9E, W10, W10B, W10C, W10E								
BACKHOE BOOM		2pc		P-U-9	2	4	JIC-G32299	71.36
		2pc		P-UB-9	2-1/4	4-1/2	JIC-G105520	121.38
				I-U-1	2		JIC-D42876	26.58
				P-U-1	2-1/4		JIC-D42878	25.66
		2pc		N-N-9		4	JIC-G33239	39.29
		2pc		N-N-9		4-1/2	JIC-DTVS4.5P	71.86
BACKHOE BUCKET		2pc		P-U-9	2	3-1/2	JIC-G32293	55.36
		2pc		P-U-9	2-1/4	4	JIC-G34636	82.37
				I-U-1	2		JIC-D42874	22.47
				I-U-1	1-3/4		JIC-D42873	28.89
				I-U-1	2-1/4		JIC-D42877	20.89
		2pc		N-N-9		4	JIC-G33239	39.29
		2pc		N-N-9		3-1/2	JIC-G33237	36.03
		2pc		P-U-9	2	4	JIC-G32299	71.36
BACKHOE DIPPER		2pc		P-UB-9	2-1/4	4-1/2	JIC-G105520	121.38
				I-U-1	2		JIC-D42876	26.58
				P-U-1	2-1/4		JIC-D42878	25.66
		2pc		N-N-9		4-1/2	JIC-DTVS4.5P	71.86
		2pc		N-N-9		4	JIC-G33239	39.29
		2pc		P-U-9	1-3/4	3-1/2	JIC-G105518	61.26
		2pc		P-U-9	2	4	JIC-G32299	71.36
		2pc		P-UB-9	1-3/4	3-1/2	JIC-G105529	57.44
BACKHOE STABILIZER				I-U-1	2		JIC-D42876	26.58
				I-U-1	1-3/4		JIC-D42873	28.89
		2pc		N-N-9		3-1/2	JIC-G33237	36.03
		2pc		N-N-9		4	JIC-G33239	39.29
		2pc		P-UB-9	1-3/4	4	JIC-G105519	68.42
				I-U-1	1-3/4		JIC-D42875	22.36
		2pc		N-N-9		4	JIC-G33239	39.29
		2pc		P-U-9	2-1/2	5	JIC-G32184	94.68
LOADER TILT		2pc		P-U-9	1-3/4	3-1/2	JIC-G32228	54.67
MODEL W14B								
LOADER CLAM		1pc		P-UB-10	1-1/2	3	JIC-G109452	40.77
LOADER GRAPPLE		1pc		P-UB-10	1-1/2	3	JIC-G109418	40.49
LOADER LIFT		2pc		P-UB-9	2-1/4	4-1/2	JIC-G105520	121.38
LOADER TILT		1pc		P-UB-10	2	3-1/2	JIC-G109453	60.43
STEERING		1pc		P-UB-10	1-1/4	2-1/2	JIC-G109475	45.67
Uni-Loaders								
APPLICATION	CYL #	Piston	SERIAL #	CODE	ROD	BORE	KIT #	List \$
MODEL 1530B								
BUCKET		1pc		P-UB-10	1-1/2	3	JIC-G105502	52.11
BUCKET CLAM		1pc		P-UB-10	1-1/2	3	JIC-G105502	52.11
GRAPPLE		1pc		P-U-10	1	2	JIC-D61006	10.60
LIFT		1pc	-9818250	P-UB-10	1-1/2	3	JIC-G105502	52.11
		1pc	9818251-	P-UB-10	1-1/2	2-1/2	JIC-G109458	32.22
SCARIFIER		1pc		P-UB-10	1-1/2	3	JIC-G105502	52.11

CASE

Replacement Kits For

CASE

Uni-Loaders								
APPLICATION	CYL #	Piston	SERIAL #	CODE	ROD	BORE	KIT #	List \$
MODEL 1530B								
WOOD TICK		1pc		P-UB-10	1-1/2	3	JIC-G105502	52.11
MODEL 1700								
BUCKET		1pc		P-UB-10	1-1/2	3	JIC-G105502	52.11
BUCKET CLAM		1pc		P-UB-10	1-1/2	3	JIC-G105502	52.11
GRAPPLE		1pc		P-U-10	1	2	JIC-D61006	10.60
LIFT		1pc		P-UB-10	1-1/2	3	JIC-G105502	52.11
SCARIFIER		1pc		P-UB-10	1-1/2	3	JIC-G105502	52.11
WOOD TICK		1pc		P-UB-10	1-1/2	3	JIC-G105502	52.11
MODEL 1816B, 1816C								
BUCKET		1pc		P-U-10	1	2	JIC-D61006	10.60
GRAPPLE		1pc		P-U-10	1	2	JIC-D61006	10.60
LIFT		1pc		P-U-10	1	2	JIC-D61006	10.60
MODEL 1818								
BUCKET TILT	D136128			P-U-10	1	2	JIC-N14638	46.69
LOADER LIFT	D136838			P-U-10	1-1/4	2	JIC-N14639	57.25
MODEL 1825								
BUCKET 4-IN-1	E99740			P-U-10	1	2	JIC-N14638	46.69
BUCKET TILT	D136128			P-U-10	1	2	JIC-N14638	46.69
LOADER LIFT	D136838			P-U-10	1-1/4	2	JIC-N14639	57.25
MODEL 1830								
BUCKET		1pc		P-U-10	1	2-1/2	JIC-G34807	22.67
		1pc		P-U-10	1	2-1/2	JIC-G35378	21.86
		1pc		P-UB-10	1-1/4	2-1/2	JIC-G105507	36.25
GRAPPLE		1pc		P-U-10	1	2	JIC-D61006	10.60
LIFT		1pc		P-U-10	1-1/4	2-1/8	JIC-G34819	32.52
SCARIFIER		1pc		P-UB-10	1-1/2	3	JIC-G105502	52.11
MODEL 1835, 1835B								
BUCKET		1pc		P-UB-10	1-1/4	2-1/2	JIC-G109476	43.91
GRAPPLE		1pc		P-U-10	1	2	JIC-D61006	10.60
LIFT		1pc		P-U-10	1-1/4	2-1/8	JIC-G34819	32.52
		1pc		P-UB-10	1-1/2	2-1/2	JIC-G109458	32.22
MODEL 1840								
BUCKET TILT	118110A1			P-U-10	1-1/4	2-1/2	JIC-128728A1	33.11
	G103407			P-U-10	1-1/4	2-1/2	JIC-128728A1	33.11
GRAPPLE	D61075			P-U-10	1	2	JIC-D61006	10.60
LOADER LIFT	117824A1			P-UB-10	1-1/2	2-1/2	JIC-128725A1	39.13
	G110666	1pc		P-UB-10	1-1/2	2-1/2	JIC-G109458	32.22
MODEL 1845, 1845B, 1845C, 1845S								
BUCKET		1pc		P-UB-10	1-1/4	2-1/2	JIC-G109476	43.91
CLAM		1pc		P-UB-10	1-1/2	3	JIC-G109418	40.49
LIFT		1pc		P-UB-10	1-1/2	2-1/2	JIC-G109458	32.22
SCARIFIER		1pc		P-UB-10	1-1/2	3	JIC-G109418	40.49
Unimogs								
APPLICATION	CYL #	Piston	SERIAL #	CODE	ROD	BORE	KIT #	List \$
MODEL MB4/94 with Model 26C Backhoe, P80 Cable Plow, T70								
3-PT HITCH LIFT		2pc		P-UB-9	1-1/2	3	JIC-G105512	71.71
		1pc		P-UB-10	1-1/2	3	JIC-G105548	53.70
3-PT HITCH PITCH		1pc		P-UB-10	1-1/4	2-1/2	JIC-G105507	36.25
BACKHOE BOOM		2pc		P-U-9	2-1/4	4	JIC-G34636	82.37
		1pc		P-UB-10	2-1/4	4	JIC-G105556	69.78
BACKHOE BUCKET		2pc		P-UB-9	1-3/4	3	JIC-G105524	79.02
		1pc		P-UB-10	1-3/4	3	JIC-G105549	68.33
BACKHOE DIPPER		2pc		P-UB-9	2	3-1/2	JIC-G105527	72.13
		1pc		P-UB-10	2	3-1/2	JIC-G105546	64.53
BACKHOE DIPPER EXT		2pc		P-UB-9	1-1/2	3	JIC-G105512	71.71
		1pc		P-UB-10	1-1/2	3	JIC-G105548	53.70

CASE

Replacement Kits For

CASE

Unimogs								
APPLICATION	CYL #	Piston	SERIAL #	CODE	ROD	BORE	KIT #	List \$
MODEL	MB4/94 with Model 26C Backhoe, P80 Cable Plow, T70							
BACKHOE STABILIZER		1pc		P-UB-10	1-3/4	3	JIC-G105549	68.33
		2pc		P-UB-9	1-3/4	3	JIC-G105524	79.02
		2pc		P-U-9	1-3/4	3-1/2	JIC-G105518	61.26
BACKHOE SWING		1pc		P-UB-10	1-1/2	3-1/2	JIC-G105555	50.53
		2pc		P-U-9	1-1/2	3-1/2	JIC-G34652	53.88
CABLE PLOW SHIFT		1pc		P-UB-10	1-1/2	2-1/2	JIC-G105550	40.30
FORKLIFT MAST TILT		1pc		P-UB-10	1-1/4	3	JIC-G105510	37.03
LIFT		2pc		P-UB-9	1-3/4	3	JIC-G105524	79.02
TILT		1pc		P-UB-10	1-1/2	3	JIC-G105502	52.11
		2pc		P-U-9	1-1/2	3-1/2	JIC-G34646	53.01

REPLACEMENT KITS FOR CASE EQUIPMENT

IMPORTANT - PLEASE READ

If a kit part number is unknown, the machine model number, serial number, and cylinder application will help identify the repair kit you need.

Example: Model Number **580C**
 Serial Number **5411021**
 Cylinder Application **Backhoe Swing**

If none of the above information is known, size and description of the parts needed will almost always be sufficient.

Kit Number	Code (Pg. xviii)	Rod X Bore Size	List Price	Kit Number	Code (Pg. xviii)	Rod X Bore Size	List Price
JIC-00407763	O-RINGS		\$55.33	JIC-1543262C1	P-UB-10	1-3/4 X 3	\$55.80
JIC-00407796	O-RINGS		45.47	JIC-1543263C1	P-UB-9	1-3/4 X 3	81.67
JIC-00948956	P-U-10	0.87 X 1.75	34.92	JIC-1543264C1	P-UB-10	1-3/4 X 4	70.31
JIC-00948959	P-U-15	1.25 X 2.5	31.60	JIC-1543265C1	P-UB-10	1-3/4 X 3-1/4	69.14
JIC-00948963	P-U-4	2.25 X 3	36.78	JIC-1543266C1	P-UB-10	1-3/4 X 3-1/2	68.84
JIC-00948964	P-U-10	1-3/4 X 3	33.59	JIC-1543267C1	P-UB-10	1-3/4 X 3	67.57
JIC-00948966	P-U-4	2.25 X 4	61.76	JIC-1543268C1	P-UB-10	2 X 3-1/4	75.38
JIC-110507A1	P-U-10	1-3/8 X 2	84.04	JIC-1543269C1	P-UB-10	2 X 4	84.21
JIC-110510A1	P-U-10	1 X 2	84.04	JIC-1543270C1	P-UB-9	2 X 4-1/2	128.17
JIC-122535A1	P-UB-10	2 X 4	136.22	JIC-1543271C1	P-UB-9	2 X 4	74.02
JIC-128725A1	P-UB-10	1-1/2 X 2-1/2	39.13	JIC-1543273C1	P-UB-10	2 X 4	88.38
JIC-128728A1	P-U-10	1-1/4 X 2-1/2	33.11	JIC-1543274C1	P-UB-10	2 X 3-1/2	90.26
JIC-131750A2	P-UB-10	2-1/4 X 3-1/4	85.48	JIC-1543275C1	P-UB-10	2 X 4-1/4	88.94
JIC-131790A1	P-UB-10	2-1/4 X 4-1/4	58.00	JIC-1543276C1	P-UB-9	2-1/4 X 4-1/2	132.51
JIC-1343707C2	P-UB-10	2-1/2 X 4-1/2	92.39	JIC-1543277C1	P-UB-10	2-1/4 X 4	78.16
JIC-1346357C2	P-UB-10	4 X 8	307.28	JIC-1543279C1	P-UB-10	2-1/4 X 4-1/2	77.73
JIC-1346409C2	P-UB-10	1-1/2 X 2-3/4	122.78	JIC-1543289C2	P-UB-10	2-1/4 X 5	106.42
JIC-1346478C2	P-UB-10	2-1/4 X 4	115.98	JIC-1543290C1	P-UB-10	2-1/2 X 4-1/2	66.95
JIC-135352A1	P-UB-10	2 X 3	56.62	JIC-1543291C1	P-UB-9	2-1/2 X 4-1/2	117.39
JIC-1542764C2	P-UB-10	1-1/2 X 2-1/2	70.76	JIC-1543294C1	P-UB-10	2-1/2 X 3-1/2	63.57
JIC-1542874C1	N-UB-1	1-1/2	17.59	JIC-1543295C1	P-UB-10	2-1/2 X 4	84.84
JIC-1542875C1	N-UB-1	1-3/4	24.28	JIC-1543298C1	I-UB-10	2-3/4 X 5	90.94
JIC-1542876C1	N-UB-1	2	16.77	JIC-1543299C1	P-UB-8	3 X 6	150.08
JIC-1542877C1	N-UB-1	2-1/4	22.37	JIC-1543303C1	P-UB-10	3 X 6-1/2	204.91
JIC-1542879C1	P-UB-10	2-1/2 X 5	85.52	JIC-1543305C1	P-UB-10	3 X 5	122.26
JIC-1542881C1	N-UB-1	3	43.99	JIC-1543306C1	P-UB-10	3 X 6	147.43
JIC-1542882C1	N-UB-1	3-1/2	52.92	JIC-1543309C1	P-UB-10	3-1/2 X 7	214.05
JIC-1542915C2	P-UB-10	2-1/2 X 5	82.47	JIC-1543312C1	P-UB-9	2-1/2 X 5	147.34
JIC-1542919C2	P-UB-10	2-1/4 X 5	186.61	JIC-1543313C1	P-UB-10	1-1/2 X 3	68.90
JIC-1542919C4	P-UB-10	2-1/4 X 5	203.65	JIC-1543316C1	P-UB-10	1-1/4 X 3	65.03
JIC-1542923C2	P-UB-10	2-1/2 X 3-1/2	87.25	JIC-1543360C1	P-UB-9	2-1/2 X 5	262.50
JIC-1542946C1	P-UB-10	1-1/4 X 2-3/4	84.41	JIC-1543378C1	P-UB-9	1-1/2X3	104.18
JIC-1543249C1	P-UB-10	1-1/4 X 2-1/2	63.47	JIC-1543383C1	P-UB-9	2 X 3-1/2	108.28
JIC-1543250C1	P-UB-10	1-1/4 X 2-1/2	50.47	JIC-1543385C1	P-UB-10	2-1/4 X 4-1/2	76.32
JIC-1543252C1	P-UB-10	1-1/2 X 3	58.06	JIC-156002A1	P-UB-10	110 X 160 mm	635.74
JIC-1543253C1	P-UB-10	1-1/2 X 2-1/2	59.20	JIC-158846A1	P-UB-10	95 X 140 mm	495.49
JIC-1543254C1	P-UB-10	1-1/2 X 3-1/2	63.56	JIC-160227A1	P-UB-10	105 X 150 mm	514.38
JIC-1543256C1	P-UB-10	1-1/2 X 3	54.67	JIC-160229A1	P-UB-10	90 X 135 mm	375.44
JIC-1543260C1	P-UB-10	1-3/4 X 3-1/4	69.14	JIC-160577A1	P-UB-10	85 X 125 mm	348.25
JIC-1543261C1	P-UB-10	1-3/4 x 3-1/2	63.57	JIC-160579A1	P-UB-10	100 X 135 mm	493.97

CASE

REPLACEMENT KITS FOR CASE EQUIPMENT

Kit Number	Code (Pg. xviii)	Rod X Bore Size	List Price
JIC-160581A1	P-UB-10	80 X 120 mm	\$321.62
JIC-161912A1	P-UB-10	80 X 115 mm	364.78
JIC-161913A1	P-UB-10	90 X 125 mm	435.67
JIC-161914A1	P-UB-10	75 X 105 mm	382.97
JIC-162976A1	P-UB-10	70 X 95 mm	336.24
JIC-164183A1	P-UB-10	85 X 125 mm	344.63
JIC-164493A1	P-UB-10	75 X 100 mm	240.32
JIC-164494A1	P-UB-10	80 X 115 mm	384.38
JIC-175251A1	P-UB-10	1-1/2 X 2-3/4	133.61
JIC-179011A1	P-UB-10,12	2-3/4 X 5-1/2	191.15
JIC-182218A1	P-UB-10,12	2-1/4 X 4-1/2	123.07
JIC-183286A1	P-U-10	1-1/4 X 2-1/2	62.95
JIC-191747A1	P-UB-10,12	2 X 3-3/4	130.75
JIC-1980161C1	P-UB-10	2 X 3-1/2	71.40
JIC-1980181C2	P-UB-10	2 X 3-3/4	92.05
JIC-1980412C2	P-UB-10	2-1/2 X 5-1/2	265.88
JIC-198376A2	P-UB-10,12	1-3/4 X 2-1/2	68.90
JIC-1986823C2	P-UB-10	3-1/2 X 6	204.46
JIC-1986856C2	P-UB-10	2 X 4-1/2	116.79
JIC-1986920C2	P-UB-10	4 X 7	235.58
JIC-1994527C2	P-UB-10	2-3/4 X 5-1/2	242.06
JIC-201501A1	I-U-10	40 X 70 mm	33.11
JIC-231726A3	P-U-10,12	1-3/4 X 2-1/4	51.76
JIC-231921A2	P-UB-10	1-3/8 X 2-1/4	48.39
JIC-234844A1	P-UB-10,12	2-1/4 X 4-1/4	127.73
JIC-235933A1	P-U-10	1-3/4 X 3-1/2	42.81
JIC-250741A1	P-UB-10	1-3/4 X 3-1/2	88.32
JIC-252828A3	P-UB-10	1-1/4 X 2-1/2	33.96
JIC-275503A2	P-UB-10,12	1-3/8 X 2-3/4	69.67
JIC-279532A1	N-UB-1	1-3/8	33.29
JIC-297895A1	P-UB-10	2-3/4 X 3-3/4	95.61
JIC-305517A3	P-UB-10,12	1-1/2 X 2-1/4	48.56
JIC-310478A1	P-UB-10	1-3/4 X 3	80.89
JIC-337742A1	P-UB-1	2 X 2-1/2	62.19
JIC-348747A1	P-UB-1	3 X 3-1/2	83.77
JIC-358013A1	P-UB-10	2-1/4 X 3-3/4	71.75
JIC-360979A1	P-UB-10	2-1/4 X 4	72.63
JIC-360982A1	P-UB-3	2-1/2 X 4-1/2	91.32
JIC-360984A1	P-UB-3	3 X 5	109.19
JIC-362347A1	P-UB-1	60 mm X 2-3/4	87.26
JIC-381101A1	P-UB-10	2-1/4 X 4-1/8	125.49
JIC-398166A1	I,P-U-1	2-3/4	76.82
JIC-400429A1	P-U-15	1-1/4 X 2-1/2	1.12
JIC-401061A1	I-U-10	36 X 63 mm	86.80
JIC-433774A1	P-UB-10	1-3/4 X 2-3/4	43.59
JIC-47364492	I-UB-10	1-1/2 X 3	34.69

Kit Number	Code (Pg. xviii)	Rod X Bore Size	List Price
JIC-47364493	I-UB-10	1-3/8 X 2-1/2	\$90.62
JIC-47364494	I-UB-10	1-3/8 X 2-1/2	89.43
JIC-47364907	I-UB-10	1-3/4 X 2-3/4	35.12
JIC-47364908	I-UB-10	1-3/4 X 2-1/2	82.27
JIC-47416073	I-UB-10	1-3/4 X 2-3/4	99.86
JIC-5001732M91	P-U-10	45 X 80 mm	103.00
JIC-5001747M91	P-U-10	45 X 75 mm	74.48
JIC-5001761M91	P-U-10	55 X 95 mm	105.23
JIC-5001763M91	P-U-10	35 X 65 mm	115.84
JIC-700710260	P-U-10	1-3/8 X 3	106.10
JIC-71452371	P-UB-1	60 mm	122.12
JIC-71470760	N-N-10	95 mm	79.77
JIC-72280241	P-U-10	45 X 75 mm	85.40
JIC-72280251	P-U-10	40 X 65 mm	95.54
JIC-72280261	P-U-10	50 X 100 mm	92.70
JIC-72280268	P-U-10	45 X 80 mm	99.87
JIC-72280471	P-U-10	40 X 70 mm	122.57
JIC-72282209	P-U-10	40 X 70 mm	122.57
JIC-72282317	P-U-10	35 X 60 mm	126.13
JIC-72282324	P-U-10	45 X 85 mm	139.59
JIC-72283999	P-U-10	50 X 90 mm	139.00
JIC-72284000	P-U-10	55 X 95 mm	69.57
JIC-72284002	P-U-10	45 X 100 mm	97.47
JIC-72284189	P-U-10	45 X 75 mm	118.38
JIC-72284207	P-U-10	50 X 90 mm	113.16
JIC-76031570	P-UB-15	60 X 120 mm	87.70
JIC-76031598	P-UB-15	70 X 120 mm	80.71
JIC-76053661	P-UB-10	63 X 125 mm	104.20
JIC-76066269	N-N-10	125 mm	46.12
JIC-76066270	P-UB-1	63 mm	92.25
JIC-76066271	N-N-10	100 mm	42.48
JIC-76066272	P-UB-1	50 mm	98.24
JIC-76066282	N-N-10	90 mm	32.99
JIC-76073156	N-N-10	110 mm	48.41
JIC-76073157	P-UB-10	55 mm	67.01
JIC-79071307	P-UB-1	70 mm	57.16
JIC-79071464	P-UB-1	63 mm	52.60
JIC-79071472	P-UB-1	56 mm	51.00
JIC-79099829	N-N-10	100 mm	21.93
JIC-79099850	N-N-10	125 mm	50.48
JIC-79975C2	P-U-10	1-1/4 X 2-1/2	21.09
JIC-84154316	P-UB-10	2-1/2 X 5	82.47
JIC-84154317	P-UB-10	2-1/4 X 5	89.09
JIC-84155085	P-UB-10	2 X 4-1/4	87.66
JIC-84157290	P-UB-10	1-3/4 X 3-1/2	78.80
JIC-84172816	P-UB-10,12	2 X 3-3/4	73.32

REPLACEMENT KITS FOR CASE EQUIPMENT

CASE

Kit Number	Code (Pg. xviii)	Rod X Bore Size	List Price
JIC-84207305	P-UB-10	2 X 4	\$51.08
JIC-84209920	P-UB-14	2-1/4 X 4	111.20
JIC-84244457	I-U-10	1 X 2-1/2	289.24
JIC-84257323	P-UB-12,14	1-3/4 X 3-1/4	109.80
JIC-84257765	P-UB-14	1-3/4 X 3-1/4	77.12
JIC-84257772	P-UB-12,14	1-1/2 X 3	90.67
JIC-84257788	P-UB-14	1-1/2 X 3	73.73
JIC-84258339	P-UB-12,14	1-7/8 X 3-1/2	122.10
JIC-84259218	P-UB-12,14	2-1/4 X 4-1/2	137.39
JIC-84259219	P-UB-12,14	2-1/2 X 5	185.99
JIC-84259220	P-UB-12,14	2-3/4 X 5-1/2	170.32
JIC-84259221	P-UB-12,14	2-1/4 X 4-1/4	104.50
JIC-84259222	P-UB-12,14	2-1/2 X 4-3/4	178.12
JIC-84259223	P-UB-12,14	2-3/4 X 5-1/4	276.96
JIC-84259224	P-UB-12,14	2-1/4 X 3-1/4	129.18
JIC-84259225	P-UB-12,14	2-1/2 X 3-1/2	110.53
JIC-84259226	P-UB-14	2-1/4 X 4-1/4	130.26
JIC-84259227	P-UB-14	2-1/4 X 4-1/2	123.46
JIC-84259228	P-UB-14	2-1/2 X 5-1/4	142.90
JIC-84330972	I-U-10	36 X 63 mm	87.40
JIC-84331720	I-U-10	40 X 70 mm	151.57
JIC-84365141	P-U-10	50 X 90 mm	258.99
JIC-84365143	P-U-10	50 X 90 mm	258.99
JIC-84480921	P-UB-10,12	1-3/4 X 2-1/2	55.10
JIC-84480948	P-UB-10	1-1/2 X 3	38.53
JIC-84480953	P-UB-10	1-3/8 X 2-3/4	58.70
JIC-84480956	P-UB-10	1-3/8 X 2-1/2	78.70
JIC-84530079	P-UB-10,12	2 X 2-3/4	57.54
JIC-84576195	P-UB-10	1-3/4 X 2-3/4	87.04
JIC-85819350	P-UB-10	63 mm X 4-1/2	213.72
JIC-85824250	I-U-15	45 X 80 mm	82.33
JIC-8605261	P-UB-10,12	1-3/4 X 3	63.00
JIC-8605262	P-UB-10	3 X 4-3/4	133.28
JIC-8605263	P-UB-10	3 X 5-3/4	116.03
JIC-86518284	I-U-11	3/4 X 1-1/2	25.34
JIC-86613643	P-UB-11	1-3/8 X 2-3/4	65.29
JIC-86613644	P-UB-11	1-1/2 X 2-1/4	44.41
JIC-86614269	P-U-11	1-1/2 X 3	44.43
JIC-86631598	P-UB-11	1-1/2 X 2-2/2	44.66
JIC-86982377	P-UB-10	1-3/4 X 3	53.48
JIC-86988474	P-U-10	40 X 60 mm	47.47
JIC-86988481	P-U-10	35 X 65 mm	54.12
JIC-86988486	P-U-10	40 X 65 mm	43.74
JIC-86988490	P-U-10	35 X 70 mm	69.77
JIC-86988494	P-U-10	35 X 75 mm	67.81
JIC-86991005	P-U-10	1-1/2 X 2-3/4	45.61

Kit Number	Code (Pg. xviii)	Rod X Bore Size	List Price
JIC-87214805	P-UB-10	60 mm X 95 mm	\$26.34
JIC-87221599	P-UB-10	70 mm X 110 mm	72.94
JIC-87342131	P-UB-10	1-3/4 X 3	53.11
JIC-87342178	P-UB-10	2-1/2 X 5	96.81
JIC-87363451	P-UB-10,12	1-3/4 X 3-1/4	161.16
JIC-87367212	P-UB-10,12	2-3/4 X 5-1/2	164.49
JIC-87367429	I-UB-10	2-1/2 X 5-1/2	191.14
JIC-87418297	P-UB-10,12	2-1/2 X 5-1/4	247.76
JIC-87428620	P-UB-10	2 X 2-3/4	50.80
JIC-87428631	P-UB-10	2 X 110 mm	97.12
JIC-87428634	P-UB-10,12	2-1/2 X 135 MM	259.26
JIC-87428866	P-UB-10	2-1/2 X 90 MM	46.46
JIC-87428869	P-UB-10	2 X 2-3/4	83.61
JIC-87428872	I,P-UB-10,12	2-1/2 X 4-1/2	120.91
JIC-87428874	P-UB-10,12	2-1/2 X 135 mm	212.89
JIC-87432407	P-UB-10	2 X 3-1/2	60.55
JIC-87432412	P-UB-10	1-3/4 X 3-1/4	62.94
JIC-87434291	P-UB-10	2-1/2 X 4-1/2	91.32
JIC-87434292	P-UB-10	2-1/4 X 4	72.63
JIC-87434293	P-UB-10	3 X 5	109.19
JIC-87440117	I-UB-10	2-1/4 X 4-1/2	63.03
JIC-87442965	P-UB-10	3 X 6	116.03
JIC-87445307-NP	P-UB-10	2 X 110 mm	85.53
JIC-87454548	Misc		3.76
JIC-87455549	O-rings and Back-ups		1.47
JIC-87495411	P-UB-10	3 X 5-3/4	134.66
JIC-87529742	P-UB-10	4 X 6-1/2	153.60
JIC-87529743	P-UB-10	3-1/2 X 6-1/2	235.55
JIC-87530718	P-UB-10	3 X 5-1/4	144.78
JIC-87573868	I-U-15	45 X 80 mm	82.33
JIC-87598751	P-UB-10	2-1/2 X 4-3/4	92.26
JIC-87608671	P-UB-10	2 X 2-3/4	57.02
JIC-87633295	P-UB-10	2-1/2 X 4-1/2	141.43
JIC-87651309	P-UB-10	2 X 3-3/4	71.12
JIC-87653283	P-UB-10	2 X 3	46.71
JIC-87672315	P-UB-10	2 X 4	41.18
JIC-87705824	P-UB-10	1-3/4 X 2-1/2	37.77
JIC-87731626	P-UB-10	2-1/2 X 5-1/2	154.46
JIC-87741101	P-UB-10	60 mm X 95 mm	160.10
JIC-907001	TRACK ADJUSTER		35.10
JIC-A43296	I-U-10	1-1/4 X 2-1/8	29.94
JIC-A44644	I-O-3	3/4 X 1-1/2	14.27
JIC-A5349616	P-U-10	95 X 125 mm	142.71
JIC-D143215	I-U-10	2 X 4	41.39
JIC-D148100	I-U-10	3/4 X 1-1/2	31.30
JIC-D37360	I-U-9	1-1/2 X 2-1/2	61.38

REPLACEMENT KITS FOR CASE EQUIPMENT

Kit Number	Code (Pg. xviii)	Rod X Bore Size	List Price	Kit Number	Code (Pg. xviii)	Rod X Bore Size	List Price
JIC-D37361	I-U-9	1-1/2 X 2	\$104.13	JIC-G105546	P-UB-10	2 X 3-1/2	\$64.53
JIC-D42867	I-U-1	1-1/4 ROD	26.29	JIC-G105547	P-UB-10	1-3/4 X 3-1/4	61.73
JIC-D42869	I-U-1	1-1/2 ROD	28.34	JIC-G105548	P-UB-10	1-1/2 X 3	53.70
JIC-D42870	I-U-1	1-1/2 ROD	28.15	JIC-G105549	P-UB-10	1-3/4 X 3	68.33
JIC-D42872	I-U-1	1-3/4 ROD	21.09	JIC-G105550	P-UB-10	1-1/2 X 2-1/2	40.30
JIC-D42873	I-U-1	1-3/4 ROD	28.89	JIC-G105551	P-UB-10	1-1/4 X 2-1/2	45.67
JIC-D42874	I-U-1	2 ROD	22.47	JIC-G105552	P-UB-10	1-3/4 X 4	64.32
JIC-D42875	I-U-1	1-3/4 ROD	22.36	JIC-G105553	P-UB-10	2 X 3-1/4	67.66
JIC-D42876	I-U-1	2 ROD	26.58	JIC-G105555	P-UB-10	1-1/2 X 3-1/2	50.53
JIC-D42877	I-U-1	2-1/4 ROD	20.89	JIC-G105556	P-UB-10	2-1/4 X 4	69.78
JIC-D42878	P-U-1	2-1/4 ROD	25.66	JIC-G105557	P-UB-10	2-1/4 X 4-1/2	89.87
JIC-D47651	I-U-1	2 ROD	23.26	JIC-G105560	P-UB-10	2-1/2 X 4-1/2	67.06
JIC-D47896	I-U-1	1-1/2 ROD	22.71	JIC-G105561	P-UB-10	2-1/2 X 4	61.26
JIC-D50279	I-U-9	3 X 5	91.43	JIC-G105562	P-UB-10	2-3/4 X 5	100.64
JIC-D61006	P-U-10	1 X 2	10.60	JIC-G105563	P-UB-10	2-1/2 X 3-1/2	67.61
JIC-D83184	I-U-11	3/4 X 1-1/2	22.95	JIC-G105566	P-UB-9	2-3/4 X 5-1/2	202.53
JIC-G101021	P-U-10	1-1/4 X 2-1/8	31.60	JIC-G109417	P-UB-10	1-3/4 X 3-1/4	61.73
JIC-G102408	P-U-10	1-3/4 X 4	61.96	JIC-G109418	P-UB-10	1-1/2 X 3	40.49
JIC-G102410	P-U-10	1-3/4 X 3-1/2	58.37	JIC-G109421	P-UB-9	2 X 4	61.96
JIC-G105206	P-UB-10	1-1/2 X 2-3/4	92.93	JIC-G109423	P-UB-10	2 X 4	68.33
JIC-G105502	P-UB-10	1-1/2 X 3	52.11	JIC-G109424	P-UB-10	2-1/2 X 4	70.57
JIC-G105503	P-UB-9	1-1/2 X 2	98.14	JIC-G109452	P-UB-10	1-1/2 X 3	40.77
JIC-G105505	P-UB-9	1-1/2 X 2-1/2	48.58	JIC-G109453	P-UB-10	2 X 3-1/2	60.43
JIC-G105507	P-UB-10	1-1/4 X 2-1/2	36.25	JIC-G109454	P-UB-9	2 X 3-1/2	47.92
JIC-G105508	P-U-9	1-3/4 X 3-1/2	66.67	JIC-G109456	P-UB-10	1-1/2 X 2-1/2	40.30
JIC-G105510	P-UB-10	1-1/4 X 3	37.03	JIC-G109458	P-UB-10	1-1/2 X 2-1/2	32.22
JIC-G105512	P-UB-9	1-1/2 X 3	71.71	JIC-G109460	P-UB-10	1-3/4 X 3	44.31
JIC-G105513	P-UB-9	2-1/2 X 4-1/2	125.18	JIC-G109462	P-UB-9	1-3/4 X 3	49.93
JIC-G105514	P-UB-9	2-1/2 X 5-1/2	125.47	JIC-G109465	P-UB-10	2 X 3-1/4	71.48
JIC-G105515	P-UB-9	2-1/2 X 5	106.52	JIC-G109470	P-UB-9	1-3/4 X 3-1/2	52.95
JIC-G105516	P-UB-9	3 X 6	131.04	JIC-G109471	P-UB-10	1-3/4 X 3-1/2	58.90
JIC-G105517	P-UB-9	2 X 4	75.58	JIC-G109472	P-UB-10	1-1/2 X 3-1/2	55.70
JIC-G105518	P-U-9	1-3/4 X 3-1/2	61.26	JIC-G109475	P-UB-10	1-1/4 X 2-1/2	45.67
JIC-G105519	P-UB-9	1-3/4 X 4	68.42	JIC-G109476	P-UB-10	1-1/4 X 2-1/2	43.91
JIC-G105520	P-UB-9	2-1/4 X 4-1/2	121.38	JIC-G109484	P-UB-9	1-1/2 X 2-1/2	57.40
JIC-G105521	P-UB-9	2 X 3-1/2	62.91	JIC-G109498	P-UB-9	2-1/2 X 4-1/2	115.44
JIC-G105523	P-UB-9	1-3/4 X 3	68.63	JIC-G109499	P-UB-9	2-1/2 X 5	140.42
JIC-G105524	P-UB-9	1-3/4 X 3	79.02	JIC-G109500	P-UB-9	3 X 5-1/2	\$180.65
JIC-G105525	P-UB-9	2 X 4-1/2	101.09	JIC-G109501	P-UB-9	2-1/4 X 5	116.92
JIC-G105526	P-UB-9	2 X 4	75.49	JIC-G109502	P-U-9	3 X 5	120.24
JIC-G105527	P-UB-9	2 X 3-1/2	72.13	JIC-G109503	P-U-10	2-1/2 X 4-1/2	67.45
JIC-G105528	P-UB-8	1-3/4 X 3-1/4	65.76	JIC-G109504	P-UB-10	2-1/2 X 3-1/2	59.65
JIC-G105529	P-UB-9	1-3/4 X 3-1/2	57.44	JIC-G109505	P-UB-10	2-1/4 X 4	64.09
JIC-G105530	P-UB-9	2-1/4 X 5	126.39	JIC-G110045	P-U-10	1-1/2 X 2-3/4	86.22
JIC-G105531	P-UB-9	3 X 5	121.90	JIC-G110046	P-UB-10	2-1/2 X 3-1/2	59.13
JIC-G105545	P-UB-10	2 X 4	72.95	JIC-G110047	P-UB-10	1-1/4 X 2-3/4	56.10

REPLACEMENT KITS FOR CASE EQUIPMENT

CASE

Kit Number	Code (Pg. xviii)	Rod X Bore Size	List Price
JIC-G110048	P-UB-10	1-1/4 X 3	\$41.99
JIC-G110049	P-UB-10	1-3/4 X 3	52.90
JIC-G110050	P-UB-10	1-1/2 X 3	46.69
JIC-G110053	P-UB-10	1-3/4 X 3-1/4	48.52
JIC-G110055	P-UB-10	1-1/4 X 2-1/2	68.86
JIC-G110526	P-UB-10	3 X 6	124.20
JIC-G110537	P-UB-10	2 X 4-1/4	73.21
JIC-G110582	P-UB-10	2-1/2 X 5	71.62
JIC-G110583	P-UB-10	2-1/4 X 5	183.63
JIC-G110621	P-UB-10	1-3/4 X 3-1/2	55.10
JIC-G32184	P-U-9	2-1/2 X 5	94.68
JIC-G32228	P-U-9	1-3/4 X 3-1/2	54.67
JIC-G32293	P-U-9	2 X 3-1/2	55.36
JIC-G32294	P-U-9	1-1/2 X 2-1/2	49.41
JIC-G32295	P-U-9	1-1/4 X 2-1/2	62.09
JIC-G32299	P-U-9	2 X 4	71.36
JIC-G32616	P-U-9	2 X 4	68.63
JIC-G32617	P-U-9	1-3/4 X 4	71.49
JIC-G32668	P-U-9	3 X 5	105.38
JIC-G32695	P-U-9	2 X 4-1/2	104.10
JIC-G32696	P-U-9	2-1/4 X 5	103.45
JIC-G33823	P-U-9	2-1/2 X 5-1/2	112.70
JIC-G34334	P-U-9	3 X 5	129.94
JIC-G34335	P-U-9	2 X 4	72.85
JIC-G34594	P-U-9	2 X 4	73.70
JIC-G34622	P-U-9	1-3/4 X 3-1/2	61.26
JIC-G34624	P-U-9	1-3/4 X 3-1/2	58.90
JIC-G34626	P-U-9	1-3/4 X 4	74.11
JIC-G34631	P-U-9	1-3/4 X 3-1/2	58.90
JIC-G34636	P-U-9	2-1/4 X 4	82.37
JIC-G34643	P-U-9	1-3/4 X 3	63.14
JIC-G34646	P-U-9	1-1/2 X 3.5	53.01
JIC-G34648	P-U-9	2 X 3-1/2	66.69
JIC-G34652	P-U-9	1-1/2 X 3-1/2	53.88
JIC-G34655	P-U-9	1-3/4 X 3-1/2	55.36
JIC-G34656	P-U-10	1-1/2 X 3	49.48
JIC-G34807	P-U-10	1 X 2-1/2	22.67
JIC-G34819	P-U-10	1-1/4 X 2-1/8	32.52
JIC-G34827	P-U-9	2-1/4 X 4	82.37
JIC-G35374	P-U-10	1 X 3	34.55
JIC-G35378	P-U-10	1 X 2-1/2	21.86
JIC-H52704	P-OB-3	1 X 2	22.11
JIC-H53041	P-OB-1	2-3/4 Rod Kit	30.04
JIC-H673837	P-U-10	1-3/8 X 3	106.10
JIC-LQU0245	P-UB-10	70 X 100 mm	178.25
JIC-LZ00361	P-UB-10	85 X 120 mm	182.03

Kit Number	Code (Pg. xviii)	Rod X Bore Size	List Price
JIC-LZ00440	P-UB-10	115 X 170 mm	\$411.65
JIC-LZ00442	P-UB-10	90 X 125 mm	214.28
JIC-LZ00443	P-UB-10	105 X 145 mm	190.66
JIC-LZ00444	P-UB-10	90 X 130 mm	206.51
JIC-LZ00445	P-UB-10	85 X 120 mm	184.89
JIC-LZ00446	P-UB-10	95 X 135 mm	159.08
JIC-LZ00447	P-UB-10	80 X 115 mm	127.63
JIC-LZ00448	P-UB-10	70 X 105 mm	164.24
JIC-LZ00449	P-UB-10	80 X 115 mm	149.44
JIC-LZ00450	P-UB-10	65 X 95 mm	106.87
JIC-LZ00451	I-UB-10	80 X 115 mm	155.27
JIC-LZ00452	P-UB-10	90 X 125 mm	254.63
JIC-LZ00453	P-UB-10	75 X 105 mm	155.22
JIC-LZ00455	P-UB-10	75 X 105 mm	192.86
JIC-LZ00456	P-UB-10	65 X 120 mm	95.46
JIC-LZ00457	P-UB-10	70 X 110 mm	100.87
JIC-LZ00469	P-UB-10	55 mm X 95 mm	189.03
JIC-LZ00470	P-UB-10	55 mm X 85 mm	120.45
JIC-LZ00471	P-U-10	60 mm X 100 mm	229.65
JIC-LZ00472	P-U-10	45 mm X 80 mm	174.38
JIC-LZ00473	P-UB-10	55 mm X 85 mm	151.08
JIC-LZ00474	P-U-10	45 mm X 80 mm	162.55
JIC-LZ00476	P-UB-10	105 X 150 mm	559.08
JIC-LZ00477	P-UB-10	100 X 145 mm	412.39
JIC-LZ00478	P-UB-10	120 X 170 mm	477.16
JIC-LZ00482	P-UB-10	105 X 150 mm	174.24
JIC-LZ00483	P-UB-10	100 X 145 mm	155.34
JIC-LZ00484	P-UB-10	120 X 170 mm	477.16
JIC-LZ00522	P-UB-10	70 X 95 mm	336.24
JIC-LZ00533	P-UB-10	90 X 130 mm	398.28
JIC-LZ00539	P-UB-10	75 X 100 mm	228.92
JIC-LZ007300	P-UB-14	100 X 145 mm	479.08
JIC-LZ007310	P-UB-14	105 X 150 mm	457.53
JIC-LZ007320	P-UB-10	120 X 170 mm	453.68
JIC-LZ007630	P-UB-10	85 X 120 mm	162.54
JIC-LZ007640	P-UB-10	100 X 140 mm	210.87
JIC-LZ007650	P-UB-10	85 X 120 mm	156.20
JIC-LZ008100	P-UB-10	80 X 115 mm	156.14
JIC-LZ008180	P-UB-10	90 X 125 mm	192.50
JIC-LZ008210	P-UB-10	75 X 105 mm	164.92
JIC-LZ008750	P-UB-10	65 X 95 mm	142.50
JIC-LZ010710-D	P-UB-10	65 X 95 mm	142.50
JIC-LZ010750	P-UB-10	70 X 105 mm	131.60
JIC-LZ010810	P-UB-10	75 X 105 mm	164.92
JIC-LZ010870	P-UB-10	80 X 115 mm	156.14
JIC-LZ010930	P-UB-10	85 X 120 mm	162.54

REPLACEMENT KITS FOR CASE EQUIPMENT

Kit Number	Code (Pg. xviii)	Rod X Bore Size	List Price
JIC-LZ010940	P-UB-10	85 X 120 mm	\$156.20
JIC-LZ011000-D	P-UB-10	90 X 125 mm	192.50
JIC-LZ011200	P-UB-10	100 X 140 mm	210.87
JIC-LZ011260	P-UB-10	105 X 145 mm	207.84
JIC-LZ011310	P-UB-10	105 X 150 mm	333.77
JIC-LZ011480	P-U-10	70 X 115 mm	253.85
JIC-LZ012090	P-UB-10	100 X 145 mm	390.79
JIC-LZ012100	P-UB-10	120 X 170 mm	568.70
JIC-LZ012110	P-UB-10	105 X 150 mm	474.01
JIC-MMV80090	P-UB-10	105 X 150 mm	171.70
JIC-MMV80160	P-UB-10	90 X 130 mm	167.88
JIC-MMV80200	P-UB-10	90 X 125 mm	152.56
JIC-MMV80210	P-UB-10	80 X 115 mm	241.83
JIC-MMV80220	P-UB-10	75 X 105 mm	115.89
JIC-MMV80240	P-UB-10	65 X 95 mm	293.81
JIC-N14638	P-U-10	1 X 2	46.69
JIC-N14639	P-U-10	1-1/4 X 2	57.25
JIC-PH01V00006R100	P-U-10	45 X 90	273.06
JIC-PS01V00001R300	N-N-10	100	147.44
JIC-PS01V00001R400	I-U-1	55	156.30
JIC-PS01V00002R300	N-N-10	90	127.44
JIC-PS01V00002R400	P-U-1	50	391.26
JIC-PS01V00003R300	N-N-10	75	94.36
JIC-PS01V00003R400	P-U-1	45	145.48
JIC-PS01V00004R300	N-N-10	90	131.91
JIC-PS01V00004R400	P-U-1	50	345.79
JIC-PW01V00062R300	P-U-10	45 X 80	163.96
JIC-PY01V00050R300	P-U-10	55 X 90	208.03
JIC-PY01V00054R300	P-U-10	55 X 100	250.86
JIC-PW01V00043R300	P-U-10	50 mm X 85 mm	131.98
JIC-PW01V00046R300	P-U-10	45 mm X 90 mm	127.61
JIC-PW01V00048R300	P-U-10	45 mm X 80 mm	93.64
JIC-PX01V00030R300	P-U-10	50 mm X 85 mm	223.09
JIC-PX01V00033R300	P-U-10	45 mm X 90 mm	152.97
JIC-PX01V00045R300	P-U-10	45 X 80 mm	86.89
JIC-S300163	I-U-10	2 X 4	31.87
JIC-S301013	I-U-10	2-1/2 X 5	81.02
JIC-S301442	I-U-10	2 X 4	48.35
JIC-S92713	P-U-9	2-1/2 X 5	102.51

Kit Number	Code (Pg. xviii)	Rod X Bore Size	List Price
JIC-S92714	P-U-9	2-1/2 X 5-1/2	\$113.03
JIC-S92724	P-U-9	2-3/4 X 5-1/2	145.27

REPLACEMENT PARTS FOR CASE EQUIPMENT

NOTE: Case part numbers are used as a reference only. We do not imply that these kits are original REPLACEMENT PARTS.

BACK-UP RINGS

Part Number	Min. Pkg.	List Price
JIC-380621A1	1	\$3.45
JIC-446178A1	5	2.63
JIC-446179A1	1	4.14
JIC-A35884	13	0.77
JIC-A45035	18	0.55
JIC-A62070	8	0.77
JIC-B92639	3	3.17
JIC-D28497	1	2.63
JIC-D28498	1	7.21
JIC-D28499	1	2.26
JIC-D28500	1	5.09
JIC-D38858	6	1.48
JIC-D39539	1	3.08
JIC-D42453	3	3.74
JIC-G109033	2	5.24
JIC-G109297	10	1.20
JIC-G109298	7	1.36
JIC-G109299	5	2.11
JIC-G109300	4	2.63
JIC-G110421	1	5.24
JIC-G32105	3	3.45
JIC-G32122	6	1.44
JIC-G32126	5	1.72
JIC-G32129	7	1.36
JIC-G32176	5	2.14
JIC-G32284	3	2.99
JIC-G32626	9	0.97
JIC-G32649	2	5.08
JIC-G34260	3	4.33
JIC-G35540	5	0.67
JIC-H745760	7	1.36
JIC-H754606	6	1.62
JIC-LBU0093	1	18.28
JIC-LE00957	1	16.92
JIC-LE00961	1	21.01
JIC-S92644	3	3.92
JIC-S99881	2	4.98

BUFFER RINGS

Part Number	Rod Diameter	List Price
JIC-1542928C1	2-1/4	\$24.07
JIC-1542930C1	2-1/2	26.34
JIC-1542996C1	1-1/2	17.12
JIC-1542998C1	1-3/4	19.44
JIC-1543007C1	2-3/4	28.64
JIC-1543009C1	3	30.93
JIC-1543011C1	3-1/2	35.55
JIC-G107998	2-1/2	3.16
JIC-G109086	2-1/4	10.81
JIC-G109092	1-1/4	4.98
JIC-G109093	1-1/2	17.12
JIC-G109094	1-3/4	8.00
JIC-LE00956	120 mm	72.90

CUSHION SEALS

Part Number	List Price
JIC-LE00746	\$26.95
JIC-LE00960	23.84

HEAD SEALS

Part Number	List Price
JIC-84130482	\$15.32
JIC-84153643	21.69
JIC-87615483	19.53
JIC-87615484	19.53
JIC-87615486	21.69
JIC-87615487	21.69

O-RINGS

Part Number	Min. Pkg	List Price
JIC-1340763C1	10	\$1.59
JIC-14461280	20	0.75
JIC-14466580	10	1.32

O-RINGS

Part Number	Min. Pkg	List Price
JIC-167266	50	\$0.37
JIC-167269	50	0.16
JIC-218-5002	50	0.18
JIC-218-5004	50	0.26
JIC-218-5009	20	0.44
JIC-22409R1	20	0.60
JIC-235-5234	20	0.67
JIC-237-6004	50	0.26
JIC-237-6006	50	0.26
JIC-237-6008	50	0.29
JIC-237-6010	50	0.30
JIC-237-6012	50	0.37
JIC-237-6016	20	0.48
JIC-237-6020	20	0.60
JIC-237-6024	10	0.88
JIC-238-5014	50	0.07
JIC-238-5115	50	0.10
JIC-238-5116	50	0.10
JIC-238-5210	25	0.31
JIC-238-5214	50	0.19
JIC-238-5224	20	0.62
JIC-238-5226	20	0.45
JIC-238-5228	20	0.48
JIC-238-5230	20	0.57
JIC-238-5231	20	0.60
JIC-238-5232	20	0.60
JIC-238-5233	20	0.64
JIC-238-5234	20	0.67
JIC-238-5238	20	0.80
JIC-238-5245	10	1.12
JIC-238-5246	10	1.29
JIC-238-5247	10	1.32
JIC-238-5250	10	1.43
JIC-238-5252	10	1.48
JIC-238-5258	5	2.02
JIC-238-5360	5	2.62
JIC-238-5437	5	2.83
JIC-238-6011	50	0.11
JIC-238-6012	50	0.11
JIC-238-6014	50	0.12

REPLACEMENT PARTS FOR CASE EQUIPMENT

NOTE: Case part numbers are used as a reference only. We do not imply that these kits are original REPLACEMENT PARTS.

O-RINGS			O-RINGS			PISTON SEALS		
Part Number	Min. Pkg	List Price	Part Number	Min. Pkg	List Price	Part Number	Bore Diameter	List Price
JIC-238-6016	50	\$0.16	JIC-A27365	50	\$0.10	JIC-D60995	2	\$6.37
JIC-238-6018	50	0.18	JIC-A27384	10	1.48	JIC-191319A1	2-1/2	18.45
JIC-238-6021	50	0.30	JIC-A27410	50	0.08	JIC-G100712	2-1/2	25.65
JIC-238-6025	50	0.34	JIC-A27507	10	0.91	JIC-G102289	2-1/2	12.68
JIC-238-6029	20	0.41	JIC-A27510	10	1.29	JIC-G33140	2-1/2	11.36
JIC-238-6218	19	0.47	JIC-A27994	20	0.75	JIC-A61430	2-1/8	11.94
JIC-238-6231	12	1.05	JIC-A28239	5	2.02	JIC-258546A2	2-3/4	23.15
JIC-238-7113	15	0.76	JIC-A28318	20	0.57	JIC-G102288	3	33.05
JIC-272778	20	0.35	JIC-A29456	50	0.21	JIC-G32034	3	16.99
JIC-274727	50	0.11	JIC-A30095	20	0.67	JIC-H120188	3	5.88
JIC-274296	10	0.97	JIC-A30097	50	0.08	JIC-364376A1	3	14.92
JIC-281411A1	9	1.70	JIC-A30915	20	0.26	JIC-87715781	3	99.72
JIC-307916R1	10	1.16	JIC-A47696	50	0.31	JIC-87715782	3-1/4	103.00
JIC-343909R1	20	0.60	JIC-A55800	5	1.74	JIC-87715783	3-1/2	103.70
JIC-343921R1	20	0.76	JIC-A60212	20	0.34	JIC-G100709	3-1/2	12.14
JIC-343923R1	20	0.92	JIC-A61429	20	0.31	JIC-G102286	3-1/2	28.40
JIC-369375R1	50	0.18	JIC-A7156	20	0.62	JIC-87715786	4-1/2	112.90
JIC-446340A1	3	3.19	JIC-A7982	50	0.19	JIC-238799A1	3-1/2	29.69
JIC-510828	10	1.43	JIC-D26115	20	0.45	JIC-G102287	3-1/4	29.36
JIC-511356	50	0.11	JIC-D26820	20	0.27	JIC-192330A1	3-1/4	13.70
JIC-511526	20	0.75	JIC-D27878	20	0.34	JIC-G1340764C1	3-3/4	29.72
JIC-69122	5	1.74	JIC-D31968	20	0.49	JIC-G102285	4	29.36
JIC-70923823	10	1.48	JIC-D36183	10	1.48	JIC-87715787	4.02	115.36
JIC-86509814	20	0.64	JIC-F62075	50	0.11	JIC-G101994	4-1/2	30.40
JIC-86625104	1	3.61	JIC-G100444	13	1.29	JIC-182116A1	4-1/2	98.60
JIC-86629543	50	0.07	JIC-G100710	13	1.48	JIC-G110531	4-1/4	32.36
JIC-86629633	10	1.12	JIC-G100713	13	1.12	JIC-1986753C1	5	33.64
JIC-86637742	10	1.29	JIC-G100959	3	3.92	JIC-140968A1	5-1/2	22.51
JIC-86977728	50	0.10	JIC-G10347	10	1.43	JIC-87367210	5-1/2	118.29
JIC-86977781	20	0.60	JIC-G105104	5	3.02	JIC-87715791	5-1/2	154.68
JIC-87016952	20	0.80	JIC-G105183	5	2.25	JIC-S228607	6-1/2	50.62
JIC-87016953	20	0.83	JIC-G107675	50	0.19	JIC-1346359C1	8	57.58
JIC-87399718	3	3.47	JIC-G15457	20	0.80	JIC-76015452	140 mm	61.60
JIC-87403649	7	1.99	JIC-G46889	20	0.72	JIC-LEU0096	170 mm	98.38
JIC-87530710	3	3.19	JIC-H436690	20	0.65			
JIC-87629041	10	1.58	JIC-H743591	10	0.91			
JIC-9617873	50	0.26	JIC-N13688	12	1.05			
JIC-9991976	50	0.19	JIC-S6499	20	0.34			
JIC-A14515	20	0.37	JIC-S6573	50	0.35			
JIC-A17526	50	0.08	JIC-T52486	19	0.54			
JIC-A23316	10	1.32						

FORMERLY LISTED REPAIR PARTS ARE AVAILABLE ONLINE AT WWW.HERCULESUS.COM
OR BY CONTACTING YOUR REGIONAL HERCULES SALES TEAM.

REPLACEMENT PARTS FOR CASE EQUIPMENT

NOTE: Case part numbers are used as a reference only. We do not imply that these kits are original REPLACEMENT PARTS.

ROD BEARINGS

Part Number	Rod Diameter	List Price
JIC-G34302	1-1/2	\$8.10
JIC-G34621	1-3/4	8.31
JIC-G34322	2	7.30
JIC-G34307	2-1/2	15.45
JIC-336041A1	2-1/2	15.45
JIC-G34620	2-1/4	17.34
JIC-336039A1	2-1/4	17.34
JIC-S220099	2-3/4	16.89
JIC-G34313	3	19.48

U-SEALS

Part Number	Rod Diameter	List Price
JIC-G34803	1	\$6.04
JIC-G35372	1	5.45
JIC-D36969	1-1/2	7.13
JIC-G107921	1-1/2	13.68
JIC-1542997C1	1-1/2	13.68
JIC-D36968	1-1/4	6.32
JIC-D60999	1-1/4	6.89
JIC-1542999C1	1-3/4	15.39
JIC-D36970	1-3/4	8.12
JIC-G107922	1-3/4	15.39
JIC-H436694	1-3/8	8.87
JIC-D36971	2	8.89
JIC-G107923	2	17.65
JIC-1542931C1	2-1/2	18.30
JIC-D45571	2-1/2	11.56
JIC-1986572C1	2-1/4	10.24
JIC-D39359	2-1/4	10.24
JIC-1542929C1	2-1/4	18.78
JIC-S220100	2-3/4	12.23
JIC-1543008C1	2-3/4	18.69
JIC-D45572	3	12.81
JIC-G109054	3	19.29
JIC-1543010C1	3	19.29
JIC-A137343	3-1/2	15.06
JIC-S118038	3-1/2	50.05
JIC-1543012C1	3-1/2	21.25
JIC-G109056	4	78.10
JIC-LAU0073	120 mm	64.31

VEE SETS

Part Number	O.D.	List Price
SINGLE ACTING VEE SETS WITH NO CENTER BEARING		
JIC-G33186	3-1/4	\$16.16
JIC-D47205	4-1/2	39.44
JIC-D47207	5-1/2	34.79
JIC-SVS5.5P	5-1/2	34.79
JIC-D49321	6	41.84
JIC-SVS6.0P	6	41.84
DOUBLE ACTING VEE SETS WITH CENTER BEARING		
JIC-G33201	2	\$84.49
JIC-G33193	2-1/2	31.75
JIC-G33151	3	32.54
JIC-G33237	3-1/2	36.03
JIC-G33239	4	39.29
JIC-DTVS4.5P	4-1/2	71.86
JIC-D36906	5	93.56
JIC-D47206	5	93.56

WEAR RINGS

Part Number	O.D. X Width	List Price
JIC-G102864	1-3/8 X 0.98	\$15.68
JIC-G102424	1-5/8 X 0.98	8.10
JIC-G102425	1-7/8 X 0.98	8.31
JIC-G103482	2 X 63/64	36.11
JIC-G100714	2-1/2 X 3/8	4.94
JIC-G34805	2-1/2 X 3/8	4.94
JIC-G101533	2-1/8 X 0.98	7.30
JIC-G101837	2-1/8 X 3/8	4.78
JIC-G34818	2-1/8 X 3/8	4.78
JIC-G105187	2-3/4 X 3/8	5.02
JIC-1346476C1	2-3/8 X 0.975	40.75
JIC-G1346476C1	2-3/8 X 0.98	6.58
JIC-G102426	2-3/8 X 1.48	17.34
JIC-G109908	2-5/8 X 0.98	6.40
JIC-G102427	2-5/8 X 1.48	15.45
JIC-252790A1	2-7/8 X 0.978	16.23
JIC-G102428	2-7/8 X 1.48	16.89

WEAR RINGS

Part Number	O.D. X Width	List Price
JIC-H436691	3 X 1/4	\$4.61
JIC-A17360	3 X 3/4	5.86
JIC-G100449	3 X 3/8	5.10
JIC-G32033	3 X 3/8	5.10
JIC-G100711	3-1/2 X 3/8	5.28
JIC-S109445	3-1/4 X 3/8	5.24
JIC-G102429	3-1/8 X 1.48	19.48
JIC-336042A1	3-1/8 X 1.480	83.17
JIC-G110677	3-3/4 X 1.490	33.98
JIC-S104133	3-3/4 X 1/2	5.36
JIC-362691A1	3-3/4 X 1/2	8.87
JIC-A17341	4 X 1	6.88
JIC-G100448	4 X 3/8	6.69
JIC-A63393	4 X 5/8	6.28
JIC-G101996	4-1/2 X 3/4	11.26
JIC-G110530	4-1/4 X 3/8	6.87
JIC-381100A1	4-1/8 X 1/2	13.72
JIC-446195A1	4-3/4 X 3/4	10.37
JIC-1-9854T1	5 X 0.622	6.28
JIC-G102090	5 X 3/4	6.28
JIC-1980266C1	5-1/2 X 3/4	6.42
JIC-444640A1	5-1/4 X 3/4	6.42
JIC-446196A1	5-3/4 X 3/4	17.12
JIC-S109539	6-1/2 X 1.490	30.67
JIC-S97856	6-1/2 X 1/2	7.39
JIC-76015451	140 X 12.7 mm	20.71
JIC-LE00897	170 X 9.5 mm	24.83
JIC-LEU0098	170 X 9.7 mm	95.89

REPLACEMENT PARTS FOR CASE EQUIPMENT

NOTE: Case part numbers are used as a reference only. We do not imply that these kits are original REPLACEMENT PARTS.

WIPERS

Part Number	Rod Diameter	List Price
JIC-D60997	1	\$3.18
JIC-H746297	1	4.04
JIC-D27706	1-1/2	3.16
JIC-D95142	1-1/2	15.00
JIC-D27705	1-1/4	7.79
JIC-D95141	1-1/4	14.67
JIC-403845R1	1-3/4	16.21
JIC-D27432	1-3/4	7.00
JIC-D95143	1-3/4	16.21
JIC-226847A1	1-3/8	14.85
JIC-H436692	1-3/8	3.64

WIPERS

Part Number	Rod Diameter	List Price
JIC-G103481	1-7/8	\$16.60
JIC-D27380	2	9.66
JIC-D95144	2	16.81
JIC-403844R1	2	16.81
JIC-D95146	2-1/2	20.36
JIC-D39360	2-1/4	5.04
JIC-D43162	2-1/4	5.04
JIC-D95145	2-1/4	18.00
JIC-G108712	2-1/4	18.82
JIC-193965C91	2-3/4	23.06
JIC-D95147	2-3/4	23.06

WIPERS

Part Number	Rod Diameter	List Price
JIC-H215202	2-3/4	\$7.53
JIC-D95149	2-3/8	15.42
JIC-D46180	3	6.04
JIC-D95148	3	23.71
JIC-A44651	3/4	1.29
JIC-S92653	3-1/2	31.64
JIC-S97854	3-1/2	31.64
JIC-L104363	3-1/4	22.95
JIC-S108245	4	44.55
JIC-LE00958	120 mm	72.35

REPLACEMENT SEAL KITS FOR CATERPILLAR® EQUIPMENT*

▶ NEW MODELS

▶ UPDATES

Machine Type		Page
Agricultural Tractors	65, 65B, 75, 65C, 65D, 70C, 65E, 69D, 73D, 75C, 75D, 75E, 75G, 85C	85
Attachments	Hydraulic Hammers	85
Backhoe Loaders	416B, 416C, 416D, 416E, 416F, 416F2, 420D, 420E, 420F, 420F/420F IT, 420F2/420F2 IT, 422E, 422F, 424D, 426B, 426C, 428B, 428C, 428D, 428E, 428F, 430D, 430E, 430F, 430F/430F IT, 430F2/430F2 IT, 432D, 432E, 432F, 434E, 434F, 436B, 436C, 438B, 438C, 438D, 442D, 442E, 444E, 444F, 446, 446B, 446D, 450E, 450F, 450P, 3S, 4S, 5A, 5S, 6, 6S, 7A, 7S, 7U, 7SU, 8A, 8B, 8D, 8R, 8S, 8U, 9B, 9R, 9S, 9U, D3G, D3K XL & LGP, D3K2 LGP, D3K2 XL, D4B, D4G, D4K XL & LGP, D4K2 LGP, D4K2 XL, D4L, D4TSKH, D5E, D5G, D5H, D5K XL & LGP, D5K2 LGP, D5K2 XL, D5M, D5N, D5TSKH, D6D, D6E, D6G, D6H, D6K LGP, D6K XL, D6K2, D6K2 LGP, D6K2 XL, D6M, D6N, D6R, D6T, D7 LGP, D7A, D7B, D7C, D7D, D7E, D7G, D7R, D8N, D8R, D8T, D9N, D9R, D9T, D10N, D10R, D10T, D11N, D11R, D11T	86 - 125
Crawler Dozers		125 - 144
Crawler Loaders	931, 931B, 931C, 933, 933C, 933E, 933F, 933G, 935B, 935C, 939, 939C, 941, 941B, 943, 943B, 951, 951B, 951C, 953B, 953C, 953D, 963B, 963C, 963D, 973C	144 - 152
Dump Trucks - Articulated	725, 730, 740, D25D, D30D, D35HP, D35HPC, D250D, D250E, D300B AG, D300B CANE H, D350D, D350D, D350E, D350E, D400, D400D, D400E	152 - 157
Excavators	245, 245B, 302.5, 302.5C, 303 C CR, 303.5, 303.5C CR, 303CR, 304 C CR, 304.5, 304CR, 305 C CR, 305CR, 307, 307B, 307C, 308B, 308C CR, 308D CR, 308D CR SB, 311, 311B, 311C U, 312, 312B, 312BL, 312C, 312CL, 312E, 313B, 313F L, 313F LGC, 314C LCR, 314D CR, 314D LCR, 314E CR, 314E LCR, 315, 315B, 315B L, 315C, 315C L, 315D L, 315F LCR, 315L, 316E L, 316F L, 317, 317B, 317BL, 317N, 318B, 318BL, 318C, 318C L, 318C LN, 320, 320B, 320BL, 320C, 320C L, 320C LN, 320C LRR, 320C LU, 320C S, 320C U, 320D, 320D L, 320D LN, 320D LRR, 320D RR, 320E, 320E L, 320E LN, 320E LRR, 320E RR, 320F L, 320L, 320N, 320S, 321B, 321C LCR, 321D LCR, 322, 322B, 322BL, 322C, 322C FM LGP, 322C L, 322C LN, 322L, 322N, 323F L, 324D L, 324E, 324E L, 324E LN, 325B, 325BL, 325C, 325C L, 325C LN, 325D, 325D L, 325D LN, 325F L, 325L, 326F L, 326F LN, 328D LCR, 329D L, 329D LN, 329E, 329E L, 329E LN, 329F L, 329F LN, 330B, 330BL, 330C, 330C L, 330C LN, 330D, 330D L, 330D N, 330F, 330F L, 330F LN, 330L, 335F L, 335F LCR, 336D, 336D L, 336D LN, 336E H, 336E L, 336E LH, 336E LN, 336E LNH, 336F L, 345B, 345BL, 345C, 345C L, 345D L, 349E, 349E L, 349E L VG, 349F L, 350, 350, 350L, 365, 365B, 365C L, 365C L MH, 374F L, 375, 375L, 385B, 385B L, 385C, 385C FS, 385C L, 5110B, 5130, 5130B 301.7D CR, 302.7D, 303.5E2, 303.5E CR, 303.5E2 CR, 304E, 304E2, 304E2 CR, 305.5E, 305.5E2, 305.5E2 CR, 305E, 305E2, 305E2 CR, 308E, 308E CR, 308E2 CR	157 - 259
Excavators - Compact		259 - 275
Excavators - Front-Shovel	5080, 5110, 5230, 5230B	276
Excavators - Wheel	M315, M316, M318, M320	276
Forestry - Excavators	568 FM LL	277
Forestry - Forwarders	554, 564, 574, 574B	277
Forestry - Industrial Tractors	TK371, TK381	277 - 278
Forestry - Knuckle Boom Load	539	278
Forestry - Track Feller Bunchers	511, 521, 521B, 522, 522B, 532, 541, 541 II, 551, 552, 552 II, 1090, 1190, 1190T, 1290T, 1390, 2290, 2390, 2391, 2491, 2590, TK711, TK721, TK722, TK732, TK741, TK751, TK752	278 - 289
Forestry - Track Skidder/ Grappler	517, 527	289 - 290
Forestry - Track Skidders	D5H	290
Forestry - Tree Harvesters	550, 550B, 560B, 570, 570B, 580, 580B	291 - 292
Forestry - Wheel Feller Bunchers	533, 533C , 543, 563C , 563D , 573C , 573D TK370, TK380	292 - 297
Forestry - Wheel Skidders	515, 525, 525B, 525C, 525D, 535B, 535C, 535D , 545, 545C, 545D	297 - 301
Integrated Toolcarriers	IT12F, IT14F, IT14G, IT24F, IT28F, IT28G, IT38F, IT38G, IT62G	301 - 303
Landfill Compactors	816, 816B, 816F, 826B, 826C, 826G, 836, 836C	303 - 304
Loaders - Skid Steer	226, 226B, 226B2, 226B3, 226D, 236, 236B, 236B2, 236B3, 236D, 242, 242B, 242B2, 242D, 246, 246B, 246C, 246D, 252B, 252B2, 252B3, 262, 262B, 262C, 262C2, 262D, 268B, 272C, 272D, 272D2 , 272D XHP	304 - 322

Continued on Next Page

FORMERLY LISTED REPAIR PARTS ARE AVAILABLE ONLINE AT WWW.HERCULESUS.COM
OR BY CONTACTING YOUR REGIONAL HERCULES SALES TEAM.

CATERPILLAR®

Machine Type

Page

Loaders - Track Skid Steer	232B, 232B2, 232D, 239D, 247B, 247B2, 247B3, 249D, 257B, 257B2, 257B3, 257D, 259B3, 259D, 267B, 272D, 272D XHP, 277B, 277C, 277C2, 279C, 279C2, 279D, 287B, 287C, 287C2, 287D, 289C, 289C2, 289D, 297C, 297D, 297D XHP, 297D2, 297D2 XHP, 299C, 299D, 299D XHP, 299D2, 299D2 XHP	322 - 344
Loaders - Wheel	902, 904, 906, 906M, 908, 908M, 910E, 910F, 914, 914G, 924, 924F, 924G, 924Gz, 924H, 924Hz, 924K, 926, 926E, 926M, 928F, 928G, 928Hz, 930G, 930H, 930K, 930M, 930R, 930T, 936F, 938F, 938G, 938H, 938K, 938M, 944, 944A, 950B, 950E, 950F, 950G, 950H, 950K, 950M, 960F, 960G, 962G, 966, 966E, 966F, 966G, 966H, 966K, 966M, 970F, 972G, 972H, 972K, 972M, 972M XE, 980F, 980G, 980H, 980K, 980M, 982M, 988F, 988G, 988H, 990, 992D, 992G, 992K, 994D, R1300, R1300G, R1600, R1600G, R1700, R1700G	344 - 366
Motor Graders	12G, 12H, 12M, 12M2, 12M3, 14G, 14H, 14M, 16G, 16H, 16M, 24H, 112E, 112F, 120, 120G, 120H, 120M, 120M2, 130G, 135H, 140G, 140H, 143H, 140M, 140M2, 140M3, 160H, 163H	366 - 385
Off-Highway Trucks	768C, 769, 769B 769C, 769D, 770, 771C, 771D, 772B, 772E, 773B, 773D, 773E, 773F, 773G, 775, 775B, 775D, 775E, 775F, 775G, 776C, 776D, 777C, 777D, 777F, 777G, 783B, 784B, 784C, 785, 785B, 785C, 785D, 786, 787B, 789, 789B, 789C, 789D, 793, 793B, 793C, 793D, 797, 797B, 797F	385 - 395
Pipelayers	572G, 583R, 583T, 587R, 587T, 589, 591, MD7, MD8, MDW8, PL61, PL83, PL87	395 - 396
Scrapers	611, 613C II, 613G, 613SC, 615C II, 615SC, 621F, 621G, 621H, 621SC, 623F, 623F, 623G, 623G, 623H, 623SC, 623SCG, 627F, 627G, 627H, 627SC, 630, 630SC, 631E II, 631G, 631SC, 633B, 633E, 633E II, 633SC, 637B, 637E II, 637G, 637SC, 639SC, 641SC, 651C, 651E, 651SC, 657E, 657G, 657SC, 660SC, 666SC	396 - 412
Skidders	515, 525, 517, 518C, 520D, 522C, 520C, 525B, 527, 528B, 530B, 535B, 545, FB508, FB518	412 - 413
Soil Compactors	815, 815B, 815F, 815S, 825, 825B, 825C, 825G, 835	413 - 415
Telehandlers	TH62, TH63, TH82, TH83, TH355B, TH360B, TL642, TL943, TL1055, TL1255	415 - 420
Wheel Dozers	814, 814B, 814F, 814S, 824, 824B, 824C, 824S, 834S, 834U, 830M, 834, 834B, 834C	420 - 424
Alpha-Numeric Kit Listing		426 - 450
Caterpillar Individual Parts		451 - 481
Caterpillar Nylon Insert Locking Nuts		482
Caterpillar Assortment Kits		483
Caterpillar Towmotor Lift Truck Kits		484

The following models are available online at www.HerculesUS.com or by calling your regional sales team.

Backhoe Loaders	416, 426, 428, 436, 438
Crawler Dozers	D10, D2, D3, D3 LGP, D3B, D3C, D4C, D4D, D4E, D4H, D5, D5B, D5C, D6, D6 LGP, D6B, D6C, D7, D7F, D7H, D8, D8H, D8K, D8L, D9D, D9G, D9H, D9L
Crawler Loaders	953, 955, 963, 973, 977, 983, 955C, 955E, 955F, 955H, 955K, 955L, 977D, 977H, 977K, 977L
Dump Trucks - Articulated	D250B, D25C, D300B, D30C, D350B, D350C, D35C, D40D
Excavators	215, 215B, 215C, 215D, 219, 219D, 225, 225B, 225D, 227, 229, 229D, 231D, 235, 235 FS, 235B, 235C, 235C FS, 235D, 245, 245 FS, 245B FS, 245D, 325, 325N, 330, E70B, E110, E110B, E120, E120B, E180, EL 180, E200B, EL200B, E240, EL240, E240B, EL240B, E300, EL300, E300B, EL300B
Integrated Toolcarriers	IT12, IT12B, IT14B, IT14C, IT18, IT18B, IT18F, IT28, IT28B
Loaders - Wheel	910, 916, 920, 930, 936, 950, 980, 988, 980C, 988B, 992, 992B, 918F, 936E, 950E, 950F, 966A, 966B, 966C, 966D, 966R, 980B, 992C, G910, G916, G926, G936
Motor Graders	12, 12E, 12F, 14, 14D, 14E, 16, 112, 120B, 140, 140B, 160G
Off-Highway Trucks	768, 768B, 769, 769B, 772, 773, 776, 776B, 777, 777B
Pipelayers	561B, 561C, 561D, 571A, 571F, 571G, 572C, 572C, 572D, 572E, 572F, 578, 583, 583H, 583K, 594, 594H
Scrapers	613, 613B, 613C, 615, 615C, 621, 621B, 621E, 621R, 621S, 623, 623B, 623E, 627, 627B, 627E, 630B, 631, 631B, 631C, 631D, 631E, 632, 633, 633C, 633D, 637, 637D, 637E, 639D, 641, 641B, 650, 650B, 651B, 651, 657, 657B, 660, 660B, 666, 666B, J621
Skidders	508, 518, 528

*All manufacturer's names, part numbers and descriptions are used for reference purposes only. We do not imply that any part shown is the product of these manufacturers. We also do not imply that the list price shown is exactly that of the manufacturer.

REPLACEMENT KITS FOR CATERPILLAR® EQUIPMENT

Agricultural Tractors							
APPLICATION	CYL #	Misc-Parts, Instructions, etc.	CODE	ROD	BORE	KIT #	List \$
MODEL 65, 65B, 75							
LIFT							
	9T2230		P-UB-10	2	4	CTC-1328816	127.22
	9T9517		P-UB-10	2	4	CTC-1328816	127.22
MODEL 65C, 65D, 70C							
LIFT							
	9T9517		P-UB-10	2	4	CTC-1328816	127.22
MODEL 65E							
LIFT							
	9T9517		P-UB-10	2	4	CTC-1328816	127.22
MODEL 69D							
STEERING							
	1100532		P-UB-10	2	3	CTC-7X2760	96.66
	9J1287		P-UB-10	2-3/8	3-3/4	CTC-7X2808	110.61
TENSIONER							
	4T4168		I-SP-10	4,6-1/2	5-3/4	CTC-8T4772	431.41
	9J4149		I-SP-10	4,6-1/2	5-3/4	CTC-8T4772	431.41
MODEL 73D							
LIFT							
	1163092		P-UB-3	7	8	CTC-1137478	899.12
STEERING RH							
	7J7686		P-UB-10	2-3/8	4	CTC-8T1389	65.32
TENSIONER							
	1455155		I-SP-10	5,7-1/2	8-1/4	CTC-8T9042	624.28
	9J2017		I-SP-10	5,7-1/2	8-1/4	CTC-8T9042	624.28
	9T3122		I-SP-10	5,7-1/2	8-1/4	CTC-8T9042	624.28
UNSPECIFIED APPLICATION							
	1162837		P-U-3	7	8-1/2	CTC-1417296	374.87
	1U4777		P-UB-3	7	8	CTC-1137478	899.12
	9T6081		P-U-3	7	8-1/2	CTC-1417296	374.87
	9T7204		N-N-10		2	CTC-6E4057	29.34
MODEL 75C							
LIFT							
	9T9517		P-UB-10	2	4	CTC-1328816	127.22
MODEL 75D, 75E, 75G, 85C							
LIFT							
	9T9517		P-UB-10	2	4	CTC-1328816	127.22
Attachments							
APPLICATION	CYL #	Misc-Parts, Instructions, etc.	CODE	ROD	BORE	KIT #	List \$
MODEL Hydraulic Hammers							
63							
	4GL1-121						
			I-U-1	63 mm		CTC-1094745	151.41
H63							
	4GL122-						
			I-U-1	63 mm		CTC-1094745	151.41
H63S							
	4GL122-						
			I-U-1	63 mm		CTC-1094745	151.41
H90C							
	6TZ1-						
			I-U-1	80 mm		CTC-1508828	321.43
H90CS							
	6TZ1-						
			I-U-1	80 mm		CTC-1508828	321.43

REPLACEMENT KITS FOR CATERPILLAR® EQUIPMENT

Backhoe Loaders							
APPLICATION	CYL #	Misc-Parts, Instructions, etc.	CODE	ROD	BORE	KIT #	List \$
MODEL 416B							
BACKHOE BOOM							
	6E0274		P-UB-10	2-3/8	4-1/2	CTC-3E8877	214.74
BACKHOE BUCKET							
	1268308		I-UB-10	2-1/2	3-1/2	CTC-3E3299	183.90
	6E0275		I-UB-10	2-1/2	3-1/2	CTC-3E3299	183.90
BACKHOE EXT BUCKET							
	6E1964		I-UB-10	2-1/2	3-1/2	CTC-3E3299	183.90
BACKHOE STICK							
	1065694	Rod Bearing width- 1.25"	P-UB-10	2-1/2	4-1/2	CTC-1469860	209.92
	1097020		P-UB-10	2-1/2	4-1/2	CTC-1113300	187.32
	1097021		P-UB-10	2-1/2	4-1/2	CTC-1113300	187.32
	6E0290	Rod Bearing width- 1.25"	P-UB-10	2-1/2	4-1/2	CTC-1469860	209.92
	6E0404		P-UB-10	1-1/2	3	CTC-7X2737	148.96
BACKHOE SWING							
	1166861		P-UB-10	2	4	CTC-1113302	163.17
	6E0288		P-UB-10	2	4	CTC-1113302	163.17
	6E1864		P-UB-10	2	4	CTC-1328816	127.22
LOADER BUCKET MP							
	9T4006		P-UB-10	1-1/2	3	CTC-7X2737	148.96
LOADER LIFT							
	9T0415		P-UB-10	1-7/8	3-1/4	CTC-3E3297	135.19
LOADER TILT							
	6E0105		P-UB-10	1-7/8	3-1/4	CTC-3E3297	135.19
	9T5490		P-UB-10	1-7/8	3-1/4	CTC-3E3297	135.19
STABILIZER							
	1052323		P-UB-10	2-1/8	4	CTC-1305923	187.39
	1052358		P-UB-10	2-1/8	4	CTC-1305923	187.39
	9T2993		P-UB-10	2-1/8	4	CTC-9X2400	163.44
	9T2994		P-UB-10	2-1/8	4	CTC-9X2400	163.44
STABILIZER LH							
	1165354		P-UB-10	2-1/8	4	CTC-8T3593	97.36
	1302364		P-UB-10	2-1/8	4	CTC-1305923	187.39
	6E0097		P-UB-10	2-1/8	4	CTC-1305923	187.39
STABILIZER RH							
	1165353		P-UB-10	2-1/8	4	CTC-1305923	187.39
	1302365		P-UB-10	2-1/8	4	CTC-1305923	187.39
	6E0099		P-UB-10	2-1/8	4	CTC-1305923	187.39
STEERING							
	6E5190		P-UB-10	1-7/8	3	CTC-1113301	179.68
UNSPECIFIED APPLICATION							
	1070624		P-UB-10	1-7/8	3-1/4	CTC-3E3297	135.19
	1070625		P-UB-10	1-7/8	3-1/4	CTC-3E3297	135.19
	1165354		P-UB-10	2-1/8	4	CTC-1305923	187.39
MODEL 416C							
BACKHOE BOOM							
	6E0274		P-UB-10	2-3/8	4-1/2	CTC-3E8877	214.74
	1AR1-UP; 1BR1-UP; 1KR1-UP; 1LR1-UP; 1WR1-8115; 1XR1-415,684-2183; 4ZN1-16043; 5YN1-15147						
	6E0274		P-UB-10	2-3/8	4-1/2	CTC-1945583	111.97
BACKHOE BUCKET							
	1268308		I-UB-10	2-1/2	3-1/2	CTC-3E3299	183.90
	1AR1-UP; 1BR1-UP; 1KR1-UP; 1LR1-UP; 1WR1-UP; 1XR1-2249; 4ZN1-UP; 5YN1-16589						
	1268308		I-UB-10	2-1/2	3-1/2	CTC-1864327	95.53
	1XR2250-UP; 5YN16590-UP						
	1668140		I-UB-10	2-3/4	3-3/4	CTC-1361990	225.67
BACKHOE EXT BUCKET							
	6E1964		I-UB-10	2-1/2	3-1/2	CTC-3E3299	183.90

REPLACEMENT KITS FOR CATERPILLAR® EQUIPMENT

Backhoe Loaders							
APPLICATION	CYL #	Misc-Parts, Instructions, etc.	CODE	ROD	BORE	KIT #	List \$
MODEL 416C							
BACKHOE EXT BUCKET							
1AR1-UP; 1BR1-UP; 1KR1-UP; 1LR1-UP; 1WR1-UP; 1XR1-2249; 4ZN1-UP; 5YN1-16589							
6E1964			I-UB-10	2-1/2	3-1/2	CTC-1864327	95.53
1XR2250-UP; 5YN16590-UP							
1668141			I-UB-10	2-3/4	3-3/4	CTC-1361990	225.67
BACKHOE EXT STICK							
1AR1-UP; 1BR1-UP; 1KR1-UP; 1LR1-UP; 1WR1-8115; 1XR1-UP; 4ZN1-16043; 5YN1-16589							
6E0404			P-UB-10	1-1/2	3	CTC-1856583	62.81
1WR8116-UP; 1XR2184-UP; 4ZN16044-UP; 5YN16590-UP							
1647174			P-UB-10	1-1/2	3	CTC-1856583	62.81
BACKHOE STICK							
1097020							
6E0404			P-UB-10	1-1/2	3	CTC-7X2737	148.96
1AR1-UP; 1BR1-UP; 1KR1-UP; 1LR1-UP; 1WR1-UP; 1XR1-2183; 4ZN1-16043; 5YN1-15147							
1097020			P-UB-10	2-1/2	4-1/2	CTC-1113300	187.32
1WR10495-UP; 1XR2258-UP; 4ZN16044-UP; 5YN16590-UP							
1843709			P-UB-10	2-1/2	4-1/2	CTC-2435805	100.86
1WR8116-UP; 1XR2184-UP; 4ZN16044-UP; 5YN15148-UP							
1692967			P-UB-10	2-1/2	4-1/2	CTC-1864362	100.19
BACKHOE SWING							
1166857							
			P-UB-10	2	4	CTC-1113302	163.17
1AR1-UP; 1BR1-438; 1BR649-UP; 1KR1-UP; 1LR1-UP; 1WR1-UP; 1XR1-2183; 4ZN1-16043; 5YN1-15147							
1166861			P-UB-10	2	4	CTC-1857686	125.11
1WR8116-UP; 1XR2184-UP; 4ZN16044-UP; 5YN15360-UP							
1699529			P-UB-10	2	4	CTC-1113302	163.17
COUPLER							
1KR1-UP; 1LR1-UP; 1WR1-UP; 1XR1-UP							
9T8823			I-U-3	1	2	CTC-9T0418	125.53
1WR8116-UP							
1783713			I-U-10	1	2	CTC-1809872	161.75
LOADER BUCKET MP							
9T4006							
			P-UB-10	1-1/2	3	CTC-7X2737	148.96
1AR1-UP; 1BR1-UP; 1KR1-UP; 1LR1-UP; 1WR1-UP; 1XR1-UP; 4ZN16044-UP; 5YN1-15147; 5YN16590-UP							
1851839			P-UB-10	1-1/2	3	CTC-1856583	62.81
1AR1-UP; 1BR1-UP; 1KR1-UP; 1LR1-UP; 1WR1-UP; 1XR1-UP; 4ZN1-UP; 5YN1-UP							
9T4006			P-UB-10	1-1/2	3	CTC-1856583	62.81
1XR2250-UP							
9T4006			P-UB-10	1-1/2	3	CTC-7X2737	148.96
LOADER LIFT							
1AR1-UP; 1BR1-UP; 4ZN1-16043; 5YN1-15147							
6E0103			P-UB-10	1-7/8	3-1/4	CTC-1933088	120.16
9T0415			P-UB-10	1-7/8	3-1/4	CTC-1933088	120.16
1AR1-UP; 1BR1-UP; 4ZN1-UP; 5YN1-UP							
1070624			P-UB-10	1-7/8	3-1/4	CTC-1933088	120.16
1KR1-UP; 1WR1-UP							
1235087			P-UB-10	2	3-1/2	CTC-2281778	106.58
1LR1-UP; 1XR1-UP							
1110888			P-UB-10	2	3-1/2	CTC-1857674	141.24
1235089			P-UB-10	2	3-1/2	CTC-1857674	141.24
LOADER TILT							
6E0105							
			P-UB-10	1-7/8	3-1/4	CTC-3E3297	135.19
1AR1-UP; 1BR1-648; 4ZN1-16043; 5YN1-3799							
6E0105			P-UB-10	1-7/8	3-1/4	CTC-1933088	120.16
9T5370			P-UB-10	1-7/8	3-1/4	CTC-1933088	120.16
1AR1-UP; 1BR1-UP; 4ZN1-UP; 5YN1-UP							
1070625			P-UB-10	1-7/8	3-1/4	CTC-1933088	120.16

REPLACEMENT KITS FOR CATERPILLAR® EQUIPMENT

Backhoe Loaders							
APPLICATION	CYL #	Misc-Parts, Instructions, etc.	CODE	ROD	BORE	KIT #	List \$
MODEL 416C							
LOADER TILT							
1KR1-UP; 1LR1-UP; 1WR1-UP; 1XR1-UP							
1235091			P-UB-10	2	3	CTC-1857667	116.13
1WR9975-UP; 1XR2250-UP							
1835158			P-UB-10	2	3	CTC-1857667	116.13
STABILIZER							
1AR1-UP; 1BR1-UP; 1KR1-UP; 1LR1-UP; 1WR1-UP; 1XR1-2183; 4ZN1-16043; 5YN1-15147							
1311846			P-UB-10	2-1/8	4	CTC-1935431	120.16
1311847			P-UB-10	2-1/8	4	CTC-1935431	120.16
1WR8116-9103; 1XR2184-2249; 4ZN16044-UP; 5YN15148-16589							
1521806			P-UB-10	2-1/8	4	CTC-1864404	136.62
1WR8116-UP; 1XR2184-2249; 4ZN16044-UP; 5YN15148-16589							
1521796			P-UB-10	2-1/8	4	CTC-1864404	136.62
1WR8442-UP; 1XR2184-UP; 4ZN16044-UP; 5YN15148-UP							
1731926			P-UB-10	2-1/8	4	CTC-1864404	136.62
1731927			P-UB-10	2-1/8	4	CTC-1864404	136.62
STABILIZER LH							
1311846			P-UB-10	2-1/8	4	CTC-1305923	187.39
1521806			P-UB-10	2-1/8	4	CTC-1305923	187.39
STABILIZER RH							
1311847			P-UB-10	2-1/8	4	CTC-1305923	187.39
1521796			P-UB-10	2-1/8	4	CTC-1305923	187.39
STEERING							
1156437			P-UB-10	1-3/4	2-1/2	CTC-1539054	155.22
UNSPECIFIED APPLICATION							
1070624			P-UB-10	1-7/8	3-1/4	CTC-3E3297	135.19
1070625			P-UB-10	1-7/8	3-1/4	CTC-3E3297	135.19
1235087			P-UB-10	2	3-1/2	CTC-7X2783	141.24
1235091			P-UB-10	2	3	CTC-7X2760	96.66
9T8823			I-U-3	1	2	CTC-9T0418	125.53
MODEL 416D							
BACKHOE BOOM							
BFP1-2532; BGJ1-UP; BKG1-537							
6E0274			P-UB-10	2-3/8	4-1/2	CTC-2418924	104.24
BFP1-5177							
2063630			P-UB-10	2-3/8	4-3/4	CTC-2350973	137.14
BFP1-UP; BGJ1-UP; BKG1-UP; B2D1-UP							
2063628			P-UB-10	2-3/8	4-1/2	CTC-2350972	87.41
BFP2533-5177; BGJ1-UP; BKG1-734							
1917753			P-UB-10	2-3/8	4-1/2	CTC-2616885	112.59
BACKHOE BUCKET							
BFP1-5177; BGJ1-522; BKG1-1523							
1804849			I-UB-10	2-1/2	3-1/2	CTC-2235945	90.88
BFP1-5177; BGJ1-522; BKG1-UP							
1804239			I-UB-10	2-1/2	3-1/2	CTC-2235945	90.88
BFP1-UP; BGJ1-UP; BKG1300-UP; B2D1-UP							
2060514			I-UB-10	2-1/2	3-1/2	CTC-2235945	90.88
2060518			I-UB-10	2-1/2	3-1/2	CTC-2235945	90.88
BGJ1050-UP							
1917839			I-UB-10	2-3/4	3-3/4	CTC-2315021	101.67
BACKHOE EXT STICK							
BFP1-5177; BGJ1-408; BKG1-UP; B2D1-UP							
1647174			P-UB-10	1-1/2	3	CTC-1856583	62.81
BFP5178-UP; BGJ409-UP							
1917725			P-UB-10	1-1/2	3	CTC-3809484	56.90

CATERPILLAR®

REPLACEMENT KITS FOR CATERPILLAR® EQUIPMENT

Backhoe Loaders							
APPLICATION	CYL #	Misc-Parts, Instructions, etc.	CODE	ROD	BORE	KIT #	List \$
MODEL 416D							
BACKHOE STICK							
BFP1-5177; BGJ1-1049; BKG1-777							
1843709			P-UB-10	2-1/2	4-1/2	CTC-2435805	100.86
BFP2533-5177; BGJ1-1049; BKG777-2499							
2060503			P-UB-10	2-1/2	4-1/2	CTC-2297194	75.66
BFP5178-UP; BGJ1-UP; BKG2500-UP; B2D1-UP							
2359829			P-UB-10	2-1/2	4-1/2	CTC-2297194	75.66
LOADER BUCKET MP							
BFP12900-UP							
2265540			I-U-10	1-1/2	3	CTC-2309357	76.03
BFP1-UP; BGJ1-UP; BKG1-UP; CXP940-UP; B2D1-UP							
1851839			P-UB-10	1-1/2	3	CTC-2350354	47.14
LOADER LIFT							
BFP1-2491; BGJ1-UP							
1070624			P-UB-10	1-7/8	3-1/4	CTC-2465926	60.62
BFP12900-UP; BGJ1050-1140							
2300979			P-U-10	1-7/8	3-1/4	CTC-2332628	190.08
BFP1-UP; CXP1-UP; BGJ1-1049; BGJ1141-UP; BKG1-UP; B2D1-UP							
2063549			P-UB-10	1-7/8	3-1/4	CTC-2094979	61.97
BFP2492-5177; BGJ1-522; BKG1-776; CXP1-939							
1917843			P-UB-10	1-7/8	3-1/4	CTC-2094979	61.97
LOADER TILT							
BFP1-2491; BGJ1-522							
1851851			P-UB-10	1-7/8	3-1/4	CTC-2465926	60.62
BFP1-UP; CXP1-UP; BGJ1-UP; BKG1-UP; B2D1-UP							
2063553			P-UB-10	1-7/8	3-1/4	CTC-2094979	61.97
BFP2492-5177; BGJ1-522; BKG1-1299; CXP1-939							
1924128			P-UB-10	1-7/8	3-1/4	CTC-2094979	61.97
STABILIZER							
B2D267-UP							
2627050			P-UB-10	55 mm	100 mm	CTC-2332623	148.51
BFP13748-UP; BGJ1141-UP; B2D267-UP							
2283499			P-UB-10	55 mm	100 mm	CTC-2332623	148.51
BFP13793-UP; BGJ1141-UP; B2D267-UP							
2283500			P-UB-10	55 mm	100 mm	CTC-2332623	148.51
BFP1-5177; BGJ1-1049; BKG1-776							
1807484			P-UB-10	2-1/8	4	CTC-2857486	111.70
1807485			P-UB-10	2-1/8	4	CTC-2857486	111.70
BFP1-UP; BGJ1-1140; BKG1-UP; B2D1-266							
2060520			P-UB-10	2-1/8	4	CTC-2857486	111.70
2060522			P-UB-10	2-1/8	4	CTC-2857486	111.70
STEERING							
B2D1-UP; BFP12900-UP; BGJ1050-UP; BKG2500-UP							
2145097			I-U-10	36 mm	65 mm	CTC-2152023	146.53
BFP1-12899; BGJ1-1049; BKG1-UP							
1674235			P-UB-10	1-3/4	2-3/4	CTC-2350351	198.90
1674235			P-UB-10	1-3/4	2-3/4	CTC-2350352	138.06
BFP1-9559; BGJ1-1049; CXP1-399							
1787190			I-U-10	36 mm	65 mm	CTC-1787189	302.43
SWING							
BFP1-2461; BGJ1-1049							
1699529			P-UB-10	2	4	CTC-3809482	99.65
BFP13793-UP; BGJ1141-UP; B2D267-UP							
2283506			P-UB-10	50 mm	100 mm	CTC-2332622	85.34
BFP2492-UP; BGJ1-1140; BKG1-UP; B2D1-UP							
1918161			P-UB-10	2	4	CTC-2618625	64.19

REPLACEMENT KITS FOR CATERPILLAR® EQUIPMENT

Backhoe Loaders							
APPLICATION	CYL #	Misc-Parts, Instructions, etc.	CODE	ROD	BORE	KIT #	List \$
MODEL 416D							
THUMB							
	BFP12900-UP						
	2754243		I-U-10	50 mm	70 mm	CTC-2764172	64.44
MODEL 416E							
BACKHOE BOOM							
	BWC1-UP; CBD1-UP; SHA1-UP						
	2107074		P-UB-10	2-1/4	4-1/2	CTC-2959891	87.02
	BWC1-UP; SHA1-UP						
	2469885		P-UB-10	2-1/4	4-1/2	CTC-2469885K	83.98
BACKHOE BUCKET							
	BWC1-UP; CBD1-UP; SHA1-UP						
	2107086		I-UB-10	2-3/8	85 mm	CTC-3651283	95.29
	BWC1-UP; SHA1-UP						
	2107085		I-UB-10	2-3/8	85 mm	CTC-4158260	79.76
	CBD1-UP						
	2107088		I-UB-10	2-1/2	3-1/2	CTC-3387038	45.99
BACKHOE EXT STICK							
	BWC1-UP; CBD1-UP; SHA1-UP						
	2107098		P-UB-10	1-1/2	3	CTC-3387156	55.77
	BWC1-UP; SHA1-UP						
	2107097		P-UB-10	1-1/2	3	CTC-3387156	55.77
BACKHOE STICK							
	BWC1-UP; CBD1-UP; SHA1-UP						
	2107078		P-UB-10	2-1/4	4-1/4	CTC-3809470	77.13
	BWC1-UP; SHA1-UP						
	2107077		P-UB-10	2-1/4	4-1/4	CTC-4158072	78.63
GRAPPLE							
	CBD1-UP; SHA1-UP						
	2754243		I-U-10	50 mm	70 mm	CTC-2764172	64.44
LOADER BUCKET MP							
	BWC1-UP; CBD1-UP; SHA1-UP						
	2265540		I-U-10	1-1/2	3	CTC-2309357	76.03
	CBD1-UP						
	1851839		P-UB-10	1-1/2	3	CTC-2350354	47.14
LOADER LIFT							
	BWC1-UP; CBD1-UP; SHA1-UP						
	2283508		P-U-10	1-7/8	3-1/4	CTC-2332628	190.08
LOADER TILT							
	BWC1-UP; CBD1-UP; SHA1-UP						
	2063553		P-UB-10	1-7/8	3-1/4	CTC-2342593	87.07
STABILIZER							
	BWC1-UP; CBD1-5744; SHA1-UP						
	2627049		P-UB-10	55 mm	100 mm	CTC-2332623	148.51
	2627049		Bushing	55 mm		CTC-2332614	23.29
	2627050		P-UB-10	55 mm	100 mm	CTC-2332623	148.51
	2627050		Bushing	55 mm		CTC-2332614	23.29
SWING							
	BWC1-UP; CBD1-5744; SHA1-UP						
	2781971		P-UB-10	50 mm	100 mm	CTC-2332622	85.34
	2781971		Bushing	50 mm		CTC-2332613	19.72
MODEL 416F							
BACKHOE BUCKET							
	KSF1-UP; LWT1-UP						
	2107088		I-UB-10	2-1/2	3-1/2	CTC-3387038	45.99

REPLACEMENT KITS FOR CATERPILLAR® EQUIPMENT

Backhoe Loaders							
APPLICATION	CYL #	Misc-Parts, Instructions, etc.	CODE	ROD	BORE	KIT #	List \$
MODEL 416F							
BOOM							
KSF1-UP; LWT1-UP							
	2107074		P-UB-10	2-1/4	4-1/2	CTC-2959891	87.02
BUCKET MP							
KSF1-UP; LWT1-UP							
	2265540		I-U-10	1-1/2	3	CTC-2309357	76.03
COUPLER							
KSF1-UP; LWT1-UP							
	1903085		I-U-10	1	2	CTC-1809872	161.75
	3750724		I-U-10	7/8	2	CTC-3675261	22.29
LWT1-UP							
	3611139		I-U-15	3/4	1-1/4	CTC-3611131	56.90
LIFT LH							
KSF1-UP; LWT1-UP							
	3585034		I-U-10	50 mm	80 mm	CTC-3240356	112.03
LIFT RH							
KSF1-UP; LWT1-UP							
	3585035		I-U-10	50 mm	80 mm	CTC-3240356	112.03
STABILIZER LH							
KSF1-UP; LWT1-UP							
	2912681		P-UB-10	55 mm	100 mm	CTC-3975181	112.96
	2912681		Bushing	55 mm		CTC-2332614	23.29
STABILIZER RH							
KSF1-UP; LWT1-UP							
	2912682		P-UB-10	55 mm	100 mm	CTC-3975181	112.96
	2912682		Bushing	55 mm		CTC-2332614	23.29
STEERING							
KSF1-UP; LWT1-UP							
	2145097		I-U-10	36 mm	65 mm	CTC-2152023	146.53
STICK							
KSF1-UP; LWT1-UP							
	2107078		P-UB-10	2-1/4	4-1/4	CTC-3809470	77.13
STICK EXTENDABLE							
KSF1-UP; LWT1-UP							
	2107098		P-UB-10	1-1/2	3	CTC-3387156	55.77
SWING LH							
KSF1-UP; LWT1-UP							
	3818055		P-UB-10	50 mm	100 mm	CTC-3779352	92.18
	3818055		Bushing	50 mm		CTC-2332613	19.72
SWING RH							
KSF1-UP; LWT1-UP							
	3818054		P-UB-10	50 mm	100 mm	CTC-3779352	92.18
	3818054		Bushing	50 mm		CTC-2332613	19.72
THUMB							
LWT1-UP							
	2754243		I-U-10	50 mm	70 mm	CTC-2764172	64.44
TILT							
KSF1-UP; LWT1-UP							
	3585044		I-U-10	50 mm	90 mm	CTC-3556294	110.87
MODEL 416F2							
BOOM							
HWB1-UP; LBF1-UP; LYA1-UP							
	2107074		P-UB-10	2-1/4	4-1/2	CTC-2959891	87.02

REPLACEMENT KITS FOR CATERPILLAR® EQUIPMENT

Backhoe Loaders							
APPLICATION	CYL #	Misc-Parts, Instructions, etc.	CODE	ROD	BORE	KIT #	List \$
MODEL 416F2							
BUCKET							
HWB1-UP; LBF1-UP; LYA1-UP							
	4495429		P-U-10	60 mm	90 mm	CTC-5212974	113.69
	5107951		P-U-10	60 mm	90 mm	CTC-5212974	113.69
BUCKET MP							
HWB1-UP; LBF1-UP; LYA1-UP							
	2265540		I-U-10	1-1/2	3	CTC-2309357	76.03
COUPLER							
HWB1-UP; LYA1-UP							
	3611139		I-U-15	3/4	1-1/4	CTC-3611131	56.90
	4555975		I-U-15	3/4	1-1/4	CTC-3611131	56.90
LIFT LH							
HWB1-UP; LBF1-UP; LYA1-UP							
	3585034		I-U-10	50 mm	80 mm	CTC-3240356	112.03
	5107944		P-U-10	50 mm	80 mm	CTC-5016702	104.94
LIFT RH							
HWB1-UP; LBF1-UP; LYA1-UP							
	3585035		I-U-10	50 mm	80 mm	CTC-3240356	112.03
	5107945		P-U-10	50 mm	80 mm	CTC-5016702	104.94
STABILIZER LH							
HWB1-UP; LBF1-UP; LYA1-UP							
	2912681		P-UB-10	55 mm	100 mm	CTC-3975181	112.96
	2912681		Bushing	55 mm		CTC-2332614	23.29
LBF1-UP							
	2627049		P-UB-10	55 mm	100 mm	CTC-2332623	148.51
	2627049		Bushing	55 mm		CTC-2332614	23.29
STABILIZER RH							
HWB1-UP; LBF1-UP; LYA1-UP							
	2912682		P-UB-10	55 mm	100 mm	CTC-3975181	112.96
	2912682		Bushing	55 mm		CTC-2332614	23.29
LBF1-UP							
	2627050		P-UB-10	55 mm	100 mm	CTC-2332623	148.51
	2627050		Bushing	55 mm		CTC-2332614	23.29
STEERING							
HWB1-UP; LYA1-UP							
	2145097		I-U-10	36 mm	65 mm	CTC-2152023	146.53
LBF1-UP							
	4826752		I-U-10	40 mm	65 mm	CTC-4907482	166.16
STICK							
HWB1-UP; LBF1-UP; LYA1-UP							
	2107078		P-UB-10	2-1/4	4-1/4	CTC-3809470	77.13
STICK EXTENDABLE							
HWB1-UP; LBF1-UP; LYA1-UP							
	2107098		P-UB-10	1-1/2	3	CTC-3387156	55.77
SWING LH							
HWB1-UP; LBF1-UP; LYA1-UP							
	3818055		P-UB-10	50 mm	100 mm	CTC-3779352	92.18
	3818055		Bushing	50 mm		CTC-2332613	19.72
SWING RH							
HWB1-UP; LBF1-UP; LYA1-UP							
	3818054		P-UB-10	50 mm	100 mm	CTC-3779352	92.18
	3818054		Bushing	50 mm		CTC-2332613	19.72
THUMB							
HWB1-UP; LBF1-UP; LYA1-UP							
	2754243		I-U-10	50 mm	70 mm	CTC-2764172	64.44

CATERPILLAR®

REPLACEMENT KITS FOR CATERPILLAR® EQUIPMENT

Backhoe Loaders							
APPLICATION	CYL #	Misc-Parts, Instructions, etc.	CODE	ROD	BORE	KIT #	List \$
MODEL 416F2							
TILT							
		HWB1-UP; LBF1-UP; LYA1-UP					
	3585044		I-U-10	50 mm	90 mm	CTC-3556294	110.87
	5107946		P-U-10	50 mm	90 mm	CTC-5212972	106.39
MODEL 420D							
BACKHOE BOOM							
	1529148		P-UB-10	2-3/8	4-3/4	CTC-2350973	137.14
		BKC1-501; BLN1-1832; BMC1-610; FDP1-3137					
	1529148		P-UB-10	2-3/8	4-3/4	CTC-2350973	137.14
		BKC1-501; BLN1833-4543; BMC1-610; FDP3138-7198					
	1917846		P-UB-10	2-3/8	4-3/4	CTC-2350973	137.14
		BKC1-UP; BLN1833-UP; BMC1-UP; FDP7199-UP; MBH1-UP					
	2063630		P-UB-10	2-3/8	4-3/4	CTC-2350973	137.14
BACKHOE BUCKET							
	1668140		I-UB-10	2-3/4	3-3/4	CTC-2235944	108.68
		BKC1-501; BLN1-4543; BMC1-610; FDP1-7198					
	1668140		I-UB-10	2-3/4	3-3/4	CTC-2235944	108.68
		BKC1-UP; BLN1-UP; BMC1-UP; FDP1-UP					
	1917839		I-UB-10	2-3/4	3-3/4	CTC-2315021	101.67
		BKC1-UP; BLN1-UP; BMC1-UP; FDP1-UP; MBH1-UP					
	1917835		I-UB-10	2-3/4	3-3/4	CTC-2315021	101.67
		BLN1-4543; FDP1-7198					
	1668141		I-UB-10	2-3/4	3-3/4	CTC-2235944	108.68
BACKHOE EXT BUCKET							
	1668141		I-UB-10	2-3/4	3-3/4	CTC-2235944	108.68
BACKHOE EXT STICK							
	1647174		P-UB-10	1-1/2	3	CTC-2350354	47.14
		BKC1-401; BLN1-4543; BMC1-506; FDP1-7198					
	1647174		P-UB-10	1-1/2	3	CTC-2350354	47.14
		BKC402-UP; BLN4544-UP; BMC507-UP; FDP7199-UP					
	1917725		P-UB-10	1-1/2	3	CTC-3809484	56.90
BACKHOE STICK							
	1843709		P-UB-10	2-1/2	4-1/2	CTC-2435805	100.86
		BKC1-501; BLN1-4543; BMC1-610; FDP1-7198					
	1843709		P-UB-10	2-1/2	4-1/2	CTC-2435805	100.86
		BKC1-919; BLN1833-10299; BMC1-1059; FDP7199-18399					
	2060503		P-UB-10	2-1/2	4-1/2	CTC-2297194	75.66
		BKC502-UP; BLN8014-UP; BMC1-UP; FDP10193-UP; MBH1-UP					
	2359829		P-UB-10	2-1/2	4-1/2	CTC-2359829K	75.62
BACKHOE SWING							
	1699529		P-UB-10	2	4	CTC-1113302	163.17
COUPLER							
		BLN1-UP; MBH1-UP					
	1783713		I-U-10	1	2	CTC-1809872	161.75
GRAPPLE							
		BLN10300-UP; FDP18400-UP					
	2754243		I-U-10	50 mm	70 mm	CTC-2764172	64.44
LOADER BUCKET MP							
	1851839		P-UB-10	1-1/2	3	CTC-2350354	47.14
		BKC1-UP; BLN1-UP; BMC1-UP; FDP1-UP; MBH1-UP					
	1851839		P-UB-10	1-1/2	3	CTC-2350354	47.14
		FDP18400-UP; MBH1-UP					
	2265540		I-U-10	1-1/2	3	CTC-2309357	76.03
LOADER LIFT							
	1807490		P-UB-10	2	85 mm	CTC-2410110	169.26
	1832856		P-UB-10	2	85 mm	CTC-2410110	169.26

REPLACEMENT KITS FOR CATERPILLAR® EQUIPMENT

Backhoe Loaders							
APPLICATION	CYL #	Misc-Parts, Instructions, etc.	CODE	ROD	BORE	KIT #	List \$
MODEL 420D							
LOADER LIFT							
BKC1-501; FDP1-7198							
1832856			P-UB-10	2	85 mm	CTC-2410110	169.26
BKC1-UP; FDP7199-18399							
1964523			P-UB-10	2	85 mm	CTC-2600273	131.34
BLN10300-UP; MBH1-UP							
2283505			P-U-10	50 mm	85 mm	CTC-2432276	113.89
2283505			Bushing	50 mm		CTC-2332613	19.72
BLN1-4543; BMC1-610							
1807490			P-UB-10	2	85 mm	CTC-2410110	169.26
BLN1833-4543; BLN4544-10299; BMC1-UP							
1923791			P-UB-10	2	85 mm	CTC-2600273	131.34
FDP18400-UP							
2300980			P-U-10	50 mm	85 mm	CTC-2432276	113.89
LOADER TILT							
1807482			P-UB-10	2	85 mm	CTC-2410110	169.26
1832848			P-UB-10	2	75 mm	CTC-2410109	125.15
BKC1-501; FDP1-7198							
1807482			P-UB-10	2	85 mm	CTC-2410110	169.26
BKC1-501; FDP3138-7198							
1924110			P-UB-10	2	85 mm	CTC-2600273	131.34
BKC1-919; FDP7450-UP							
2007128			P-UB-10	2	4	CTC-2618625	64.19
BKC1-UP; FDP7199-7449							
2063555			P-UB-10	2	85 mm	CTC-2600273	131.34
BLN1-4543; BMC1-610							
1832848			P-UB-10	2	75 mm	CTC-2410109	125.15
BLN1833-UP; BMC1-UP; MBH1-UP							
1923884			P-UB-10	2	75 mm	CTC-1923884K	94.04
STABILIZER							
BKC1-501; BLN1-4543; BMC1-610; FDP1-7198							
1807484			P-UB-10	2-1/8	4	CTC-2857486	111.70
1807485			P-UB-10	2-1/8	4	CTC-2857486	111.70
BKC1-920; BLN1833-11017; BMC1-1063; FDP7199-20367							
2060520			P-UB-10	2-1/8	4	CTC-2857486	111.70
BKC1-920; BLN1833-11017; BMC1-1063; FDP7199-20477							
2060522			P-UB-10	2-1/8	4	CTC-2857486	111.70
BKC921-UP; BLN11018-UP; BMC1064-UP; FDP20368-UP; MBH1-UP							
2283499			P-UB-10	55 mm	100 mm	CTC-2332623	148.51
BKC921-UP; BLN11018-UP; BMC1064-UP; FDP20478-UP; MBH1-UP							
2283500			P-UB-10	55 mm	100 mm	CTC-2332623	148.51
STEERING							
1674235	ENG 03-UP		P-UB-10	1-3/4	2-3/4	CTC-2350351	198.90
1674235	ENG 00-02		P-UB-10	1-3/4	2-3/4	CTC-2350352	138.06
SWING							
BKC1-501; BLN1-1832; BMC1-610; FDP1-3137							
1699529			P-UB-10	2	4	CTC-3809482	99.65
BKC1-920; BLN1833-11084; BMC1-1063; FDP3138-20480							
1918161			P-UB-10	2	4	CTC-2618625	64.19
BKC921-UP; BLN11085-UP; BMC1064-UP; FDP20481-UP; MBH1-UP							
2283506			P-UB-10	50 mm	100 mm	CTC-2332622	85.34
2283506			Bushing	50 mm		CTC-2332613	19.72
MODEL 420E							
BACKHOE BOOM							
GAN1-UP; HLS1-UP; KMW1-UP; PHC1-UP; PRA1-UP							
2107076			P-UB-10	2-3/8	4-3/4	CTC-2959893	124.37

CATERPILLAR®

REPLACEMENT KITS FOR CATERPILLAR® EQUIPMENT

Backhoe Loaders							
APPLICATION	CYL #	Misc-Parts, Instructions, etc.	CODE	ROD	BORE	KIT #	List \$
MODEL 420E							
BACKHOE BOOM							
HLS1-UP; KMW1-UP; PHC1-UP; PRA1-UP							
2689049		PTFE piston seal	P-UB-10	2-3/8	4-3/4	CTC-3812732	137.95
2689049		Nylon piston seal	P-UB-10	2-3/8	4-3/4	CTC-3975704	142.50
BACKHOE BUCKET							
GAN1-UP; HLS1-UP; KMW1-UP; PHC1-UP; PRA1-UP							
2107088			I-UB-10	2-1/2	3-1/2	CTC-3387038	45.99
HLS1-UP; KMW1-UP; PHC1-UP; PRA1-UP							
2107087			I-UB-10	2-1/2	3-1/2	CTC-3975694	48.61
BACKHOE EXT STICK							
HLS1-UP; KMW1-UP; PHC1-UP; PRA1-UP							
2107097			P-UB-10	1-1/2	3	CTC-3387156	55.77
2107098			P-UB-10	1-1/2	3	CTC-3387156	55.77
BACKHOE STICK							
GAN1-UP; HLS1-UP; KMW1-UP; PHC1-UP; PRA1-UP							
2107082			P-UB-10	65 mm	4-3/4	CTC-3651270	259.14
HLS1-UP; KMW1-UP; PHC1-UP; PRA1-UP							
2107081			P-UB-10	65 mm	4-3/4	CTC-3651270	259.14
BACKHOE SWING							
GAN1-UP; HLS1-UP; KMW1-UP; PHC1-UP; PRA1-UP							
2781971			P-UB-10	50 mm	100 mm	CTC-2332622	85.34
2781971			Bushing	50 mm		CTC-2332613	19.72
COUPLER							
GAN1-UP; KMW1-UP; PHC1-UP							
1903085			I-U-10	1	2	CTC-1809872	161.75
GRAPPLE							
HLS1-UP; KMW1-UP							
2754243			I-U-10	50 mm	70 mm	CTC-2764172	64.44
LOADER BUCKET MP							
GAN1-UP; HLS1-UP; KMW1-UP; PHC1-UP; PRA1-UP							
2265540			I-U-10	1-1/2	3	CTC-2309357	76.03
LOADER LIFT							
GAN1-UP; KMW1-UP; PHC1-UP							
2283505			P-U-10	50 mm	85 mm	CTC-2432276	113.89
2283505			Bushing	50 mm		CTC-2332613	19.72
HLS1-UP; PRA1-UP							
2283509			P-U-10	50 mm	85 mm	CTC-2432276	113.89
2283509			Bushing	50 mm		CTC-2332613	19.72
LOADER TILT							
GAN1-UP; KMW1-UP; PHC1-UP							
1923884			P-UB-10	2	75 mm	CTC-1923884K	94.04
HLS1-UP; PRA1-UP							
2007128			P-UB-10	2	4	CTC-2618625	64.19
STABILIZER							
GAN1-UP; HLS1-UP; KMW1-UP; PHC1-UP; PRA1-UP							
2627049			P-UB-10	55 mm	100 mm	CTC-2332623	148.51
2627049			Bushing	55 mm		CTC-2332614	23.29
2627050			P-UB-10	55 mm	100 mm	CTC-2332623	148.51
2627050			Bushing	55 mm		CTC-2332614	23.29
MODEL 420F/420F IT							
BACKHOE BOOM							
JWJ1-UP; LKH1-UP; LTG1-UP; SKR1-UP							
2107076			P-UB-10	2-3/8	4-3/4	CTC-2959893	124.37
BACKHOE BUCKET							
JWJ1-UP; LKH1-UP; LTG1-UP; SKR1-UP							
2107088			I-UB-10	2-1/2	3-1/2	CTC-3387038	45.99

REPLACEMENT KITS FOR CATERPILLAR® EQUIPMENT

Backhoe Loaders							
APPLICATION	CYL #	Misc-Parts, Instructions, etc.	CODE	ROD	BORE	KIT #	List \$
MODEL 420F/420F IT							
BACKHOE STICK							
JWJ1-UP; LKH1-UP; LTG1-UP; SKR1-UP							
2107082			P-UB-10	65 mm	4-3/4	CTC-3651270	259.14
2107098			P-UB-10	1-1/2	3	CTC-3387156	55.77
BACKHOE SWING LH							
JWJ1-UP; LKH1-UP; LTG1-UP; SKR1-UP							
3818054			P-UB-10	50 mm	100 mm	CTC-3779352	92.18
3818054			Bushing	50 mm		CTC-2332613	19.72
3818055			P-UB-10	50 mm	100 mm	CTC-3779352	92.18
3818055			Bushing	50 mm		CTC-2332613	19.72
COUPLER							
JWJ1-UP; LKH1-UP							
1783713			I-U-10	1	2	CTC-1809872	161.75
JWJ1-UP; LKH1-UP; LTG1-UP; SKR1-UP							
3611139			I-U-15	3/4	1-1/4	CTC-3611131	56.90
LKH1-UP; LTG1-UP; SKR1-UP							
4555975			I-U-15	3/4	1-1/4	CTC-3611131	56.90
LTG1-UP; SKR1-UP							
1903085			I-U-10	1	2	CTC-1809872	161.75
3750724			I-U-10	7/8	2	CTC-3675261	22.29
LOADER BUCKET MP							
JWJ1-UP; LKH1-UP; LTG1-UP; SKR1-UP							
2265540			I-U-10	1-1/2	3	CTC-2309357	76.03
LOADER LIFT LH							
JWJ1-3287; LKH1-515; LTG1-UP; SKR1-UP							
3585034			I-U-10	50 mm	80 mm	CTC-3240356	112.03
JWJ3288-UP; LKH516-UP; LTG1-UP; SKR1-UP							
5107944			P-U-10	50 mm	80 mm	CTC-5016702	104.94
LOADER LIFT RH							
JWJ1-3287; LKH1-515; LTG1-UP; SKR1-UP							
3585035			I-U-10	50 mm	80 mm	CTC-3240356	112.03
JWJ3288-UP; LKH516-UP; LTG1-UP; SKR1-UP							
5107945			P-U-10	50 mm	80 mm	CTC-5016702	104.94
LOADER TILT							
JWJ1-UP; LKH1-UP							
3585045	Insert Wiper		I-U-10	45 mm	70 mm	CTC-3240411	85.74
3585045	Press In Wiper		P-U-10	45 mm	70 mm	CTC-5212973	82.91
5107947			P-U-10	45 mm	70 mm	CTC-5212973	82.91
LTG1-UP; SKR1-UP							
3585044			P-U-10	50 mm	90 mm	CTC-5212972	106.39
5107946			P-U-10	50 mm	90 mm	CTC-5212972	106.39
STABILIZER LH							
JWJ1-UP; LKH1-UP; LTG1-UP; SKR1-UP							
2912681			P-UB-10	55 mm	100 mm	CTC-3975181	112.96
STABILIZER RH							
JWJ1-UP; LKH1-UP; LTG1-UP; SKR1-UP							
2912682			P-UB-10	55 mm	100 mm	CTC-3975181	112.96
STEERING							
JWJ1-UP; LKH1-UP; LTG1-UP; SKR1-UP							
2145097			I-U-10	36 mm	65 mm	CTC-2152023	146.53
THUMB							
LKH1-UP; LTG1-UP; SKR1-UP							
2754243			I-U-10	50 mm	70 mm	CTC-2764172	64.44

CATERPILLAR®

REPLACEMENT KITS FOR CATERPILLAR® EQUIPMENT

Backhoe Loaders							
APPLICATION	CYL #	Misc-Parts, Instructions, etc.	CODE	ROD	BORE	KIT #	List \$
MODEL 420F2/420F2 IT							
BACKHOE BOOM							
HWC1-UP; HWD1-UP; LBS1-UP; LYB1-UP; LYC1-UP							
2107076			P-UB-10	2-3/8	4-3/4	CTC-2959893	124.37
BACKHOE BUCKET							
HWC1-UP; HWD1-UP; LBS1-UP; LYB1-UP; LYC1-UP							
5107951			P-U-10	60 mm	90 mm	CTC-5212974	113.69
HWC1-UP; HWD1-UP; LYB1-UP; LYC1-UP							
4495429			P-U-10	60 mm	90 mm	CTC-5212974	113.69
BACKHOE STICK							
HWC1-UP; HWD1-UP; LBS1-UP; LYB1-UP; LYC1-UP							
2107082			P-UB-10	65 mm	4-3/4	CTC-3651270	259.14
2107098			P-UB-10	1-1/2	3	CTC-3387156	55.77
BACKHOE SWING							
HWC1-UP; HWD1-UP; LBS1-UP; LYB1-UP; LYC1-UP							
3818054			P-UB-10	50 mm	100 mm	CTC-3779352	92.18
3818054			Bushing	50 mm		CTC-2332613	19.72
3818055			P-UB-10	50 mm	100 mm	CTC-3779352	92.18
3818055			Bushing	50 mm		CTC-2332613	19.72
BLADE							
HWD1-UP; LYC1-UP							
4893934			I-U-10	1-3/4	3	CTC-4827624	125.15
COUPLER							
HWC1-UP; HWD1-UP; LYB1-UP; LYC1-UP							
3611139			I-U-15	3/4	1-1/4	CTC-3611131	56.90
4555975			I-U-15	3/4	1-1/4	CTC-3611131	56.90
HWD1-UP; LYC1-UP							
1783713			I-U-10	1	2	CTC-1809872	161.75
LOADER BUCKET MP							
HWC1-UP; HWD1-UP; LBS1-UP; LYB1-UP; LYC1-UP							
2265540			I-U-10	1-1/2	3	CTC-2309357	76.03
LOADER LIFT LH							
HWC1-2181; HWD1-1711; LBS1-UP; LYB1-UP; LYC1-446							
3585034			I-U-10	50 mm	80 mm	CTC-3240356	112.03
HWC2182-UP; HWD1712-UP; LBS1-UP; LYB1-UP; LYC447-UP							
5107944			P-U-10	50 mm	80 mm	CTC-5016702	104.94
LOADER LIFT RH							
HWC1-2181; HWD1-1711; LBS1-UP; LYB1-UP; LYC1-446							
3585035			I-U-10	50 mm	80 mm	CTC-3240356	112.03
HWC2182-UP; HWD1712-UP; LBS1-UP; LYB1-UP; LYC447-UP							
5107945			P-U-10	50 mm	80 mm	CTC-5016702	104.94
LOADER TILT							
HWC1-2181; LYB1-UP							
3585044			P-U-10	50 mm	90 mm	CTC-5212972	106.39
HWC2182-UP; LBS1-UP; LYB1-UP							
5107946			P-U-10	50 mm	90 mm	CTC-5212972	106.39
HWD1-UP; LYC1-UP							
3585045	Insert Wiper		I-U-10	45 mm	70 mm	CTC-3240411	85.74
3585045	Press In Wiper		P-U-10	45 mm	70 mm	CTC-5212973	82.91
5107947			P-U-10	45 mm	70 mm	CTC-5212973	82.91
LBS1-UP							
3585044			I-U-10	50 mm	90 mm	CTC-3556294	110.87
STABILIZER LH							
HWC1-UP; HWD1-UP; LYB1-UP; LYC1-UP							
2912681			P-UB-10	55 mm	100 mm	CTC-3975181	112.96
2912681			Bushing	55 mm		CTC-2332614	23.29

REPLACEMENT KITS FOR CATERPILLAR® EQUIPMENT

Backhoe Loaders							
APPLICATION	CYL #	Misc-Parts, Instructions, etc.	CODE	ROD	BORE	KIT #	List \$
MODEL 420F2/420F2 IT							
STABILIZER LH							
LBS1-UP							
	2627049		P-UB-10	55 mm	100 mm	CTC-2332623	148.51
	2627049		Bushing	55 mm		CTC-2332614	23.29
STABILIZER RH							
HWC1-UP; HWD1-UP; LYB1-UP; LYC1-UP							
	2912682		P-UB-10	55 mm	100 mm	CTC-3975181	112.96
	2912682		Bushing	55 mm		CTC-2332614	23.29
LBS1-UP							
	2627050		P-UB-10	55 mm	100 mm	CTC-2332623	148.51
	2627050		Bushing	55 mm		CTC-2332614	23.29
STEERING							
HWC1-UP; HWD1-UP; LBS1-UP; LYB1-UP; LYC1-UP							
	2145097		I-U-10	36 mm	65 mm	CTC-2152023	146.53
LBS1-UP							
	4826752		I-U-10	40 mm	65 mm	CTC-4907482	166.16
THUMB							
HWC1-UP; HWD1-UP; LBS1-UP; LYB1-UP; LYC1-UP							
	2754243		I-U-10	50 mm	70 mm	CTC-2764172	64.44
MODEL 422E							
BACKHOE BOOM							
DSK1-; HBE1-							
			P-UB-10	2-1/4	4-1/2	CTC-2959891	87.02
BACKHOE BUCKET							
DSK1-; HBE1-							
			I-UB-10	2-3/8	85 mm	CTC-3651283	95.29
BACKHOE EXT STICK							
DSK1-; HBE1-							
			P-UB-10	1-1/2	3	CTC-3387156	55.77
BACKHOE STABILIZER							
DSK1-; HBE1-							
			P-UB-10	1-3/4	2-3/4	CTC-2342595	190.69
BACKHOE STICK							
DSK1-; HBE1-							
			P-UB-10	2-1/4	4-1/4	CTC-3809470	77.13
LOADER BUCKET MP							
DSK1-; MAW1-							
			I-U-10	1-1/2	3	CTC-2309357	76.03
HBE1-							
			P-UB-10	1-1/2	3	CTC-2350354	47.14
LOADER LIFT							
DSK1-; HBE1-; MAW1-							
			P-UB-10	1-7/8	3-1/4	CTC-2342593	87.07
LOADER TILT							
DSK1-; HBE1-; MAW1-							
			P-UB-10	1-7/8	3-1/4	CTC-2342593	87.07
MODEL 422F							
LOADER BUCKET MP							
LRH1-							
			I-U-10	1-1/2	3	CTC-2309357	76.03
MODEL 424D							
BACKHOE BOOM							
BGP1-396; BKR1-418							
			P-UB-10	2-3/8	4-1/2	CTC-2418924	104.24
BGP1-647; BKR1-528							
	1917753		P-UB-10	2-3/8	4-1/2	CTC-2616885	112.59

CATERPILLAR®

REPLACEMENT KITS FOR CATERPILLAR® EQUIPMENT

Backhoe Loaders							
APPLICATION	CYL #	Misc-Parts, Instructions, etc.	CODE	ROD	BORE	KIT #	List \$
MODEL 424D							
BACKHOE BOOM							
		BGP397-1612; BKR419-562; CJZ1-; RXA1- 2063628	P-UB-10	2-3/8	4-1/2	CTC-2350972	87.41
BACKHOE BUCKET							
		BGP1-1612; BKR1-562; CJZ1-UP; RXA1-UP	I-UB-10	2-1/2	3-1/2	CTC-2235945	90.88
BACKHOE EXT STICK							
		BGP1-396; BKR1-418	P-UB-10	1-1/2	3	CTC-2350354	47.14
		BGP397-1612; BKR419-562; CJZ1-; RXA1-	P-UB-10	1-1/2	3	CTC-1917725K	56.90
BACKHOE STABILIZER							
		BGP1-1612; BKR1-562; CJZ1-UP; RXA1-UP	P-UB-10	1-3/4	2-3/4	CTC-2342595	190.69
BACKHOE STICK							
		BGP1-1612; BKR1-562 1734015	P-UB-10	2-1/2	4-1/2	CTC-2435805	100.86
		BGP397-1612; BKR419-562; CJZ1-; RXA1- 2060509	P-UB-10	2-1/2	4-1/2	CTC-2297194	75.66
		2359831	P-UB-10	2-1/2	4-1/2	CTC-2297194	75.66
BACKHOE SWING							
		BGP1-1612; BKR1-562; CJZ1-277; RXA1-705	P-UB-10	2	4	CTC-2409538	94.69
LOADER BUCKET MP							
		BGP1-1612; BKR1-1612; BKR1-562; CJZ1-; RXA1-	P-UB-10	1-1/2	3	CTC-2350354	47.14
LOADER LIFT							
		BGP1-396; BKR1-418	P-UB-10	1-7/8	3-1/4	CTC-2465926	60.62
		BGP397-1612; BKR419-562; CJZ1-; RXA1-	P-UB-10	1-7/8	3-1/4	CTC-2342593	87.07
LOADER TILT							
		BGP1-396; BKR1-418	P-UB-10	1-7/8	3-1/4	CTC-2465926	60.62
		BGP397-1612; BKR419-562; CJZ1-; RXA1-	P-UB-10	1-7/8	3-1/4	CTC-2342593	87.07
STEERING							
		BGP1-1612; BKR1-1612	I-U-10	36 mm	65 mm	CTC-1787189	302.43
			P-UB-10	1-3/4	2-3/4	CTC-2350351	198.90
MODEL 426B							
BACKHOE BACKHOE BOOM							
		6E1948	P-UB-10	2-1/2	5	CTC-1361967	251.91
BACKHOE BUCKET							
		1268316	I-UB-10	2-3/4	3-3/4	CTC-9X2020	149.28
		6E1809	I-UB-10	2-3/4	3-3/4	CTC-9X2020	149.28
BACKHOE EXT BUCKET							
		6E3692	I-UB-10	2-3/4	3-3/4	CTC-9X2020	149.28
BACKHOE STICK							
		6E1935	P-UB-10	2-3/4	5	CTC-3E8878	249.78
		6E3662	P-UB-10	1-1/2	3	CTC-7X2737	148.96
BACKHOE SWING							
		1166861	P-UB-10	2	4	CTC-1113302	163.17
		6E0288	P-UB-10	2	4	CTC-1113302	163.17
		6E1864	P-UB-10	2	4	CTC-1328816	127.22

REPLACEMENT KITS FOR CATERPILLAR® EQUIPMENT

Backhoe Loaders							
APPLICATION	CYL #	Misc-Parts, Instructions, etc.	CODE	ROD	BORE	KIT #	List \$
MODEL 426B							
LOADER BUCKET MP							
	9T4006		P-UB-10	1-1/2	3	CTC-7X2737	148.96
LOADER LIFT							
	6E0103		P-UB-10	1-7/8	3-1/4	CTC-3E3297	135.19
	9T0415		P-UB-10	1-7/8	3-1/4	CTC-3E3297	135.19
LOADER TILT							
	1071855		P-UB-10	2	3-1/2	CTC-7X2783	141.24
	6E0113		P-UB-10	2	3-1/2	CTC-7X2783	141.24
STABILIZER							
	1052323		P-UB-10	2-1/8	4	CTC-1305923	187.39
	1052358		P-UB-10	2-1/8	4	CTC-1305923	187.39
STABILIZER LH							
	1165354		P-UB-10	2-1/8	4	CTC-1305923	187.39
	1302364		P-UB-10	2-1/8	4	CTC-1305923	187.39
	6E0098		P-UB-10	2-1/8	4	CTC-1305923	187.39
STABILIZER RH							
	1165353		P-UB-10	2-1/8	4	CTC-1305923	187.39
	1302365		P-UB-10	2-1/8	4	CTC-1305923	187.39
	6E0099		P-UB-10	2-1/8	4	CTC-1305923	187.39
STEERING							
	6E5190		P-UB-10	1-7/8	3	CTC-1113301	179.68
UNSPECIFIED APPLICATION							
	1070624		P-UB-10	1-7/8	3-1/4	CTC-3E3297	135.19
MODEL 426C							
BACKHOE BOOM							
	6E1948		P-UB-10	2-1/2	5	CTC-1361967	251.91
BACKHOE BUCKET							
	1268316		I-UB-10	2-3/4	3-3/4	CTC-9X2020	149.28
BACKHOE EXT BUCKET							
	6E3692		I-UB-10	2-3/4	3-3/4	CTC-9X2020	149.28
BACKHOE STICK							
	1535735		P-UB-10	1-1/2	3	CTC-7X2737	148.96
	6E1935		P-UB-10	2-3/4	5	CTC-3E8878	249.78
	6E3662		P-UB-10	1-1/2	3	CTC-7X2737	148.96
BACKHOE SWING							
	1166861		P-UB-10	2	4	CTC-1113302	163.17
LOADER BUCKET MP							
	9T4006		P-UB-10	1-1/2	3	CTC-7X2737	148.96
LOADER LIFT							
	1108688		P-UB-10	2	3-1/2	CTC-7X2783	141.24
	1216764		P-UB-10	2	3-1/2	CTC-7X2783	141.24
LOADER TILT							
	1071855		P-UB-10	2	3-1/2	CTC-7X2783	141.24
STABILIZER LH							
	1311846		P-UB-10	2-1/8	4	CTC-1305923	187.39
	1521806		P-UB-10	2-1/8	4	CTC-1305923	187.39
STABILIZER RH							
	1311847		P-UB-10	2-1/8	4	CTC-1305923	187.39
	1521796		P-UB-10	2-1/8	4	CTC-1305923	187.39
STEERING							
	1156437		P-UB-10	1-3/4	2-1/2	CTC-1539054	155.22
UNSPECIFIED APPLICATION							
	1235087		P-UB-10	2	3-1/2	CTC-7X2783	141.24
	1235091		P-UB-10	2	3	CTC-7X2760	96.66
	9T8823		I-U-3	1	2	CTC-9T0418	125.53

CATERPILLAR®

REPLACEMENT KITS FOR CATERPILLAR® EQUIPMENT

Backhoe Loaders							
APPLICATION	CYL #	Misc-Parts, Instructions, etc.	CODE	ROD	BORE	KIT #	List \$
MODEL 428B							
BACKHOE BOOM							
	6E0274		P-UB-10	2-3/8	4-1/2	CTC-3E8877	214.74
BACKHOE BUCKET							
	1268308		I-UB-10	2-1/2	3-1/2	CTC-3E3299	183.90
	6E0275		I-UB-10	2-1/2	3-1/2	CTC-3E3299	183.90
BACKHOE EXT BUCKET							
	6E1964		I-UB-10	2-1/2	3-1/2	CTC-3E3299	183.90
	6E2421		I-UB-10	2-3/4	3-3/4	CTC-9X2020	149.28
BACKHOE STICK							
	1097021		P-UB-10	2-1/2	4-1/2	CTC-1113300	187.32
	6E0290	Rod Bearing width- 0.98"	P-UB-10	2-1/2	4-1/2	CTC-1113300	187.32
	6E0290	Rod Bearing width- 1.25"	P-UB-10	2-1/2	4-1/2	CTC-1469860	209.92
	6E0404		P-UB-10	1-1/2	3	CTC-7X2737	148.96
BACKHOE SWING							
	1166861		P-UB-10	2	4	CTC-1113302	163.17
	6E0288		P-UB-10	2	4	CTC-1113302	163.17
BACKHOE SWING LH							
	1166858		P-UB-10	2	4	CTC-1113302	163.17
	6E1864		P-UB-10	2	4	CTC-1113302	163.17
LOADER BUCKET MP							
	9T4006		P-UB-10	1-1/2	3	CTC-7X2737	148.96
LOADER LIFT							
	6E0103		P-UB-10	1-7/8	3-1/4	CTC-3E3297	135.19
	9T0415		P-UB-10	1-7/8	3-1/4	CTC-3E3297	135.19
LOADER TILT							
	1071855		P-UB-10	2	3-1/2	CTC-7X2783	141.24
	6E0113		P-UB-10	2	3-1/2	CTC-7X2783	141.24
SIDESHIFT							
	1166858		P-UB-10	2	4	CTC-1113302	163.17
SIDESHIFT RH							
	1166858		P-UB-10	2	4	CTC-1113302	163.17
STABILIZER							
	1266950		P-UB-10	1-3/4	2-3/4	CTC-1539053	190.69
	6E3483		P-UB-10	1-3/4	2-3/4	CTC-1539053	190.69
STEERING							
	6E5190		P-UB-10	1-7/8	3	CTC-1113301	179.68
UNSPECIFIED APPLICATION							
	1070624		P-UB-10	1-7/8	3-1/4	CTC-3E3297	135.19
MODEL 428C							
BACKHOE BOOM							
	6E0274		P-UB-10	2-3/8	4-1/2	CTC-3E8877	214.74
BACKHOE BUCKET							
	1268308		I-UB-10	2-1/2	3-1/2	CTC-3E3299	183.90
	1268312		I-UB-10	2-3/4	3-3/4	CTC-1361990	225.67
	6E0275		I-UB-10	2-1/2	3-1/2	CTC-3E3299	183.90
BACKHOE EXT BUCKET							
	6E1964		I-UB-10	2-1/2	3-1/2	CTC-3E3299	183.90
BACKHOE STICK							
	1097021		P-UB-10	2-1/2	4-1/2	CTC-1113300	187.32
	6E0404		P-UB-10	1-1/2	3	CTC-7X2737	148.96
BACKHOE SWING							
	1166861		P-UB-10	2	4	CTC-1113302	163.17
LOADER BUCKET MP							
	9T4006		P-UB-10	1-1/2	3	CTC-7X2737	148.96
LOADER TILT							
	1071855		P-UB-10	2	3-1/2	CTC-7X2783	141.24

REPLACEMENT KITS FOR CATERPILLAR® EQUIPMENT

Backhoe Loaders							
APPLICATION	CYL. #	Misc-Parts, Instructions, etc.	CODE	ROD	BORE	KIT #	List \$
MODEL 428C							
SIDESHIFT							
	1166858		P-UB-10	2	4	CTC-1113302	163.17
SIDESHIFT RH							
	1166858		P-UB-10	2	4	CTC-1113302	163.17
STABILIZER							
	1266950		P-UB-10	1-3/4	2-3/4	CTC-1539053	190.69
STEERING							
	1156437		P-UB-10	1-3/4	2-1/2	CTC-1539054	155.22
UNSPECIFIED APPLICATION							
	1070624		P-UB-10	1-7/8	3-1/4	CTC-3E3297	135.19
	1235087		P-UB-10	2	3-1/2	CTC-7X2783	141.24
	1235091		P-UB-10	2	3	CTC-7X2760	96.66
	9T8823		I-U-3	1	2	CTC-9T0418	125.53
MODEL 428D							
BACKHOE BOOM							
	BLL1-712; BMT1-3227; BNB1-UP; BNS1-1851; BXC1-UP; DSX1-UP; MBM1-UP						
			P-UB-10	2-3/8	4-3/4	CTC-2350973	137.14
BACKHOE BUCKET							
	BLL1-712; BMT1-3227; BNB1-UP; BNS1-1851; BXC1-UP; DSX1-UP; MBM1-UP						
	1804239		I-UB-10	2-1/2	3-1/2	CTC-2235945	90.88
BACKHOE EXT STICK							
	BLL1-536; BMT1-1144; BNB1-414; BNS1-897						
	1647174		P-UB-10	1-1/2	3	CTC-2350354	47.14
BACKHOE STABILIZER							
	BLL1-712; BMT1-3227; BNB1-UP; BNS1-1851; BXC1-UP; DSX1-UP; MBM1-UP						
	1734565		P-UB-10	1-3/4	2-3/4	CTC-2342595	190.69
BACKHOE STICK							
	BLL1-650; BMT1-1262; BNB1-699; BNS1-976						
	1734015		P-UB-10	2-1/2	4-1/2	CTC-2435805	100.86
	BLL537-UP; BMT1145-UP; BNB1-UP; BNS898-UP; BXC1-UP; DSX1-UP; MBM1-UP						
	2060509		P-UB-10	2-1/2	4-1/2	CTC-2297194	75.66
	2359831		P-UB-10	2-1/2	4-1/2	CTC-2297194	75.66
BACKHOE SWING							
	BLL1-536; BMT1-1144; BNB1-UP; BNS1-897						
	1699529		P-UB-10	2	4	CTC-2409538	94.69
	1699530		P-UB-10	2	4	CTC-2409538	94.69
	BLL537-650; BMT1145-UP; BNB1-UP; BNS898-UP; BXC1-729; DSX1-449; MBM1-247						
	1917735		P-UB-10	2	4	CTC-2618625	64.19
	1918161		P-UB-10	2	4	CTC-2618625	64.19
LOADER BUCKET MP							
	BLL1-UP; BMT1-UP; BNB1-UP; BNS1-UP; BXC1-UP; DSX1-UP; MBM1-UP						
			P-UB-10	1-1/2	3	CTC-2350354	47.14
LOADER LIFT							
	BLL1-650; BMT1-1262; BNB1-699; BNS1-976						
	1807490		P-UB-10	2	85 mm	CTC-2410110	169.26
	1832856		P-UB-10	2	85 mm	CTC-2410110	169.26
	BLL537-UP; BMT1145-UP; BNB1-UP; BNS898-UP; BXC1-UP; DSX1-UP; MBM1-UP						
	1923791		P-UB-10	2	85 mm	CTC-2600273	131.34
	1964523		P-UB-10	2	85 mm	CTC-2600273	131.34
LOADER TILT							
	BLL1-536; BLL546-650; BNB1-UP						
	1807482		P-UB-10	2	85 mm	CTC-2410110	169.26
	BLL537-UP; BNB1-UP; MBM1-UP						
	1924110		P-UB-10	2	85 mm	CTC-2600273	131.34
	2063555		P-UB-10	2	85 mm	CTC-2600273	131.34

REPLACEMENT KITS FOR CATERPILLAR® EQUIPMENT

Backhoe Loaders							
APPLICATION	CYL #	Misc-Parts, Instructions, etc.	CODE	ROD	BORE	KIT #	List \$
MODEL 428D							
LOADER TILT							
		BMT1-1144; BMT1618-UP; BNS1-UP					
	1832848		P-UB-10	2	75 mm	CTC-2410109	125.15
		BMT1145-UP; BNS898-UP; BXC1-UP; DSX1-UP					
	1923884		P-UB-10	2	75 mm	CTC-2617175	109.80
STEERING							
		BLL1-UP; BMT1-UP; BNB1-UP; BNS1-UP					
	1787190		I-U-10	36 mm	65 mm	CTC-1787189	302.43
MODEL 428E							
BACKHOE BOOM							
		DXC1-UP; SNL1-UP					
			P-UB-10	2-1/4	4-1/2	CTC-2959891	87.02
BACKHOE BUCKET							
		DXC1-UP; SNL1-UP					
			I-UB-10	2-3/8	85 mm	CTC-3651283	95.29
BACKHOE EXT STICK							
		DXC1-UP; SNL1-UP					
			P-UB-10	1-1/2	3	CTC-3387156	55.77
			P-UB-10	2-1/4	4-1/4	CTC-3809470	77.13
BACKHOE STABILIZER							
		DXC1-UP; SNL1-UP					
			P-UB-10	1-3/4	2-3/4	CTC-2342595	190.69
BACKHOE STICK							
		DXC1-UP; SNL1-UP					
			P-UB-10	2-1/4	4-1/4	CTC-3809470	77.13
LOADER BUCKET MP							
		DPH1-UP; DXC1-UP					
			I-U-10	1-1/2	3	CTC-2309357	76.03
		SNL1-UP					
			P-UB-10	1-1/2	3	CTC-2350354	47.14
LOADER LIFT							
		DXC1-UP; SNL1-UP					
			P-UB-10	2	85 mm	CTC-2600273	131.34
LOADER TILT							
		DXC1-UP; SNL1-UP					
			P-UB-10	2	75 mm	CTC-2617175	109.80
MODEL 428F							
LOADER BUCKET MP							
		LBH1-UP; SJW1-UP					
			I-U-10	1-1/2	3	CTC-2309357	76.03
MODEL 430D							
BACKHOE BOOM							
		BML1-UP; BNK1-UP					
	1832849		P-UB-10	2-3/4	5-3/8	CTC-2440974	154.84
		BML1-UP; BNK2502-UP					
	2058655		P-UB-10	2-3/4	5-3/8	CTC-2440974	154.84
BACKHOE BUCKET							
		BML1-2280; BNK1-2501					
	1668140	Nylon piston seal	I-UB-10	2-3/4	3-3/4	CTC-1939270	139.64
	1668140	PTFE piston seal	I-UB-10	2-3/4	3-3/4	CTC-2235944	108.68
	1668141	Nylon piston seal	I-UB-10	2-3/4	3-3/4	CTC-1939270	139.64
	1668141	PTFE piston seal	I-UB-10	2-3/4	3-3/4	CTC-2235944	108.68
		BML1-UP; BNK1-UP					
	1917835		I-UB-10	2-3/4	3-3/4	CTC-2315021	101.67
	1917839		I-UB-10	2-3/4	3-3/4	CTC-2315021	101.67

REPLACEMENT KITS FOR CATERPILLAR® EQUIPMENT

Backhoe Loaders							
APPLICATION	CYL #	Misc-Parts, Instructions, etc.	CODE	ROD	BORE	KIT #	List \$
MODEL 430D							
BACKHOE EXT STICK							
BML1-2280; BNK1-2501							
1535735			P-UB-10	1-1/2	3	CTC-2350354	47.14
BML2281-UP; BNK2502-UP							
1917721			P-UB-10	1-1/2	3	CTC-4488804	56.90
BACKHOE STABILIZER							
BML1-5012; BNK1-6261							
1807484			P-UB-10	2-1/8	4	CTC-2857486	111.70
1807485			P-UB-10	2-1/8	4	CTC-2857486	111.70
BACKHOE STICK							
BML1-UP; BNK1-UP							
1832850			P-UB-10	65 mm	4-3/4	CTC-2456816	218.34
BML1-UP; BNK2502-UP							
2058656			P-UB-10	65 mm	4-3/4	CTC-2456816	218.34
BACKHOE SWING							
BML1-2280; BNK1-1032							
1699529			P-UB-10	2	4	CTC-3809482	99.65
BML1-5023; BNK1033-6261							
1918161			P-UB-10	2	4	CTC-2618625	64.19
BML5013-UP; BNK6262-UP							
2283506			P-UB-10	50 mm	100 mm	CTC-2332622	85.34
2283506			Bushing	50 mm		CTC-2332613	19.72
COUPLER							
BML1-UP							
			I-U-10	1	2	CTC-1809872	161.75
1783713			I-U-10	1	2	CTC-1809872	161.75
GRAPPLE							
BML4800-UP; BNK5900-UP							
2754243			I-U-10	50 mm	70 mm	CTC-2764172	64.44
LOADER BUCKET MP							
BML1-UP; BNK1-UP							
1851839			P-UB-10	1-1/2	3	CTC-2350354	47.14
BML4800-UP; BNK5900-UP							
2265540			I-U-10	1-1/2	3	CTC-2309357	76.03
LOADER LIFT							
BML1-2280; BNK1-2501							
1807490			P-UB-10	2	85 mm	CTC-2410110	169.26
1832856			P-UB-10	2	85 mm	CTC-2410110	169.26
BML1-4799; BNK1-5899							
1923791			P-UB-10	2	85 mm	CTC-2600273	131.34
1964523			P-UB-10	2	85 mm	CTC-2600273	131.34
BML4800-UP							
2283505			P-U-10	50 mm	85 mm	CTC-2432276	113.89
2283505			Bushing	50 mm		CTC-2332613	19.72
BNK5900-UP							
2300980			P-U-10	50 mm	85 mm	CTC-2432276	113.89
2300980			Bushing	50 mm		CTC-2332613	19.72
LOADER TILT							
BML1-2280							
1832848			P-UB-10	2	75 mm	CTC-2410109	125.15
BML1-UP							
1923884	PTFE piston seal		P-UB-10	2	75 mm	CTC-1923884K	94.04
1923884	Nylon Piston seal		P-UB-10	2	75 mm	CTC-2617175	109.80
BNK1033-2501							
			P-UB-10	2	85 mm	CTC-2600273	131.34
1924110			P-UB-10	2	85 mm	CTC-2600273	131.34

REPLACEMENT KITS FOR CATERPILLAR® EQUIPMENT

Backhoe Loaders							
APPLICATION	CYL #	Misc-Parts, Instructions, etc.	CODE	ROD	BORE	KIT #	List \$
MODEL 430D							
LOADER TILT							
BNK1-1032							
1807482			P-UB-10	2	85 mm	CTC-2410110	169.26
BNK2502-2558							
2063555			P-UB-10	2	85 mm	CTC-2600273	131.34
BNK2502-UP							
			P-UB-10	2	4	CTC-2618625	64.19
2007128			P-UB-10	2	4	CTC-2618625	64.19
STABILIZER							
BML1-2280; BNK1-2501							
1807484			P-UB-10	2-1/8	4	CTC-2857486	111.70
1807485			P-UB-10	2-1/8	4	CTC-2857486	111.70
BML1-5012; BNK2502-6244							
2060520			P-UB-10	2-1/8	4	CTC-2857486	111.70
BML1-5012; BNK2502-6261							
2060522			P-UB-10	2-1/8	4	CTC-2857486	111.70
BML5013-UP; BNK6245-UP							
2283499			P-UB-10	55 mm	100 mm	CTC-2332623	148.51
BML5013-UP; BNK6262-UP							
2283500			P-UB-10	55 mm	100 mm	CTC-2332623	148.51
2283500			Bushing	55 mm		CTC-2332614	23.29
STEERING							
BML1-4799; BNK1-5899							
			I-U-10	36 mm	65 mm	CTC-1787189	302.43
1674235			P-UB-10	1-3/4	2-3/4	CTC-2350351	198.90
THUMB							
BML4800-UP; BNK5900-UP							
2754243			I-U-10	50 mm	70 mm	CTC-2764172	64.44
MODEL 430E							
BACKHOE BOOM							
DDT1-UP; EAT1-UP; MXB1-UP; RLN1-UP; SCD1-UP; SWC1-UP							
			P-UB-10	3	5-1/4	CTC-2959887	160.67
DDT1-UP; EAT1-UP; RLN1-UP; SCD1-UP							
2469884			P-UB-10	3	5-1/4	CTC-2959887	160.67
2689051			P-UB-10	3	5-1/4	CTC-2689051K	157.14
BACKHOE BUCKET							
DDT1-UP; EAT1-UP; MXB1-UP; RLN1-UP; SCD1-UP; SWC1-UP							
			I-UB-10	2-3/4	3-3/8	CTC-3387039	150.13
DDT1-UP; EAT1-UP; RLN1-UP; SCD1-UP							
1668140			I-UB-10	2-3/4	3-3/4	CTC-2235944	108.68
2107096			I-UB-10	2-3/4	3-3/4	CTC-3651342	147.95
BACKHOE EXT STICK							
DDT1-UP; EAT1-UP; MXB1-UP; RLN1-UP; SCD1-UP; SWC1-UP							
			P-UB-10	1-1/2	3	CTC-3387156	55.77
			P-UB-10	2-1/2	5	CTC-3653007	160.56
DDT1-UP; EAT1-UP; RLN1-UP; SCD1-UP							
2107092			P-UB-10	2-1/2	5	CTC-3653007	160.56
2107097			P-UB-10	1-1/2	3	CTC-3387156	55.77
2107098			P-UB-10	1-1/2	3	CTC-3387156	55.77
BACKHOE STICK							
DDT1-UP; EAT1-UP; MXB1-UP; RLN1-UP; SCD1-UP; SWC1-UP							
			P-UB-10	2-1/2	5	CTC-3653007	160.56
DDT1-UP; EAT1-UP; RLN1-UP; SCD1-UP							
2107091			P-UB-10	2-1/2	5	CTC-2107091K	103.47

REPLACEMENT KITS FOR CATERPILLAR® EQUIPMENT

Backhoe Loaders							
APPLICATION	CYL. #	Misc-Parts, Instructions, etc.	CODE	ROD	BORE	KIT #	List \$
MODEL 430E							
COUPLER							
DDT1-UP; MXB1-UP; SCD1-UP							
			I-U-10	1	2	CTC-1809872	161.75
DDT1-UP; SCD1-UP							
1903085			I-U-10	1	2	CTC-1809872	161.75
GRAPPLE							
DDT1-UP; EAT1-UP							
2754243			I-U-10	50 mm	70 mm	CTC-2764172	64.44
LOADER BUCKET MP							
DDT1-UP; EAT1-UP; MXB1-UP; RLN1-UP; SCD1-UP; SWC1-UP							
			I-U-10	1-1/2	3	CTC-2309357	76.03
DDT1-UP; EAT1-UP; RLN1-UP; SCD1-UP							
2265540			I-U-10	1-1/2	3	CTC-2309357	76.03
LOADER LIFT							
DDT1-UP; SCD1-UP							
2283505			P-U-10	50 mm	85 mm	CTC-2432276	113.89
2283505			Bushing	50 mm		CTC-2332613	19.72
EAT1-UP; RLN1-UP							
2283509			P-U-10	50 mm	85 mm	CTC-2432276	113.89
2283509			Bushing	50 mm		CTC-2332613	19.72
LOADER TILT							
DDT1-UP; MXB1-UP; SCD1-UP							
			P-UB-10	2	75 mm	CTC-2617175	109.80
DDT1-UP; SCD1-UP							
1923884			P-UB-10	2	75 mm	CTC-1923884K	94.04
EAT1-UP; RLN1-UP							
2007128			P-UB-10	2	4	CTC-2618625	64.19
EAT1-UP; RLN1-UP; SWC1-UP							
			P-UB-10	2	4	CTC-2618625	64.19
STABILIZER							
DDT1-UP; EAT1-UP; RLN1-UP; SCD1-UP							
2627049			P-UB-10	55 mm	100 mm	CTC-2332623	148.51
2627049			Bushing	55 mm		CTC-2332614	23.29
2627050			P-UB-10	55 mm	100 mm	CTC-2332623	148.51
2627050			Bushing	55 mm		CTC-2332614	23.29
SWING							
DDT1-UP; EAT1-UP; RLN1-UP; SCD1-UP							
2781971			P-UB-10	50 mm	100 mm	CTC-2332622	85.34
2781971			Bushing	50 mm		CTC-2332613	19.72
THUMB							
DDT1-UP; EAT1-UP; MXB1-UP; RLN1-UP; SCD1-UP; SWC1-UP							
			I-U-10	50 mm	70 mm	CTC-2764172	64.44
MODEL 430F/430F IT							
BACKHOE BOOM							
LDY1-281; LNH1-UP; RDF1-UP; RGS1-UP							
2469884			P-UB-10	3	5-1/4	CTC-3769015	195.82
BACKHOE BUCKET							
LDY1-281; LNH1-UP; RDF1-UP; RGS1-UP							
2107096			I-UB-10	2-3/4	3-3/4	CTC-3651342	147.95
BACKHOE EXT STICK							
LDY1-281; LNH1-UP; RDF1-UP; RGS1-UP							
2107098			P-UB-10	1-1/2	3	CTC-3387156	55.77
BACKHOE STICK							
LDY1-281; LNH1-UP; RDF1-UP; RGS1-UP							
2107092			P-UB-10	2-1/2	5	CTC-3653007	160.56

CATERPILLAR®

REPLACEMENT KITS FOR CATERPILLAR® EQUIPMENT

Backhoe Loaders							
APPLICATION	CYL #	Misc-Parts, Instructions, etc.	CODE	ROD	BORE	KIT #	List \$
MODEL 430F/430F IT							
BACKHOE SWING LH							
LDY1-281; LNH1-UP; RDF1-UP; RGS1-UP							
	3818055		P-UB-10	50 mm	100 mm	CTC-3779352	92.18
	3818055		Bushing	50 mm		CTC-2332613	19.72
BACKHOE SWING RH							
LDY1-281; LNH1-UP; RDF1-UP; RGS1-UP							
	3818054		P-UB-10	50 mm	100 mm	CTC-3779352	92.18
	3818054		Bushing	50 mm		CTC-2332613	19.72
COUPLER							
LDY1-281; LNH1-UP; RDF1-UP; RGS1-UP							
	3611139		I-U-15	3/4	1-1/4	CTC-3611131	56.90
	4555975		I-U-15	3/4	1-1/4	CTC-3611131	56.90
LDY1-281; RDF1-UP							
	1903085		I-U-10	1	2	CTC-1809872	161.75
	3750724		I-U-10	7/8	2	CTC-3675261	22.29
LNH1-UP; RGS1-UP							
	1783713		I-U-10	1	2	CTC-1809872	161.75
LOADER BUCKET MP							
LDY1-281; LNH1-UP; RDF1-UP; RGS1-UP							
	2265540		I-U-10	1-1/2	3	CTC-2309357	76.03
LOADER LIFT LH							
LDY1-281; LNH1-208; RDF1-UP; RGS1-761							
	3585034		I-U-10	50 mm	80 mm	CTC-3240356	112.03
LDY1-281; LNH209-UP; RDF1-UP; RGS762-UP							
	5107944		P-U-10	50 mm	80 mm	CTC-5016702	104.94
LOADER LIFT RH							
LDY1-281; LNH1-208; RDF1-UP; RGS1-761							
	3585035		I-U-10	50 mm	80 mm	CTC-3240356	112.03
LDY1-281; LNH209-UP; RDF1-UP; RGS762-UP							
	5107945		P-U-10	50 mm	80 mm	CTC-5016702	104.94
LOADER TILT							
LDY1-280; RDF1-869							
	3585044		I-U-10	50 mm	90 mm	CTC-3556294	110.87
LDY1-281; RDF1-UP							
	5107946		P-U-10	50 mm	90 mm	CTC-5212972	106.39
LDY281-UP; RDF870-UP							
	3585044		P-U-10	50 mm	90 mm	CTC-5212972	106.39
LNH1-UP; RGS1-UP							
	3585045	Insert Wiper	I-U-10	45 mm	70 mm	CTC-3240411	85.74
	3585045	Press In Wiper	P-U-10	45 mm	70 mm	CTC-5212973	82.91
	5107947		P-U-10	45 mm	70 mm	CTC-5212973	82.91
STABILIZER LH							
LDY1-281; LNH1-UP; RDF1-UP; RGS1-UP							
	2912681		P-UB-10	55 mm	100 mm	CTC-3975181	112.96
	2912681		Bushing	55 mm		CTC-2332614	23.29
STABILIZER RH							
LDY1-281; LNH1-UP; RDF1-UP; RGS1-UP							
	2912682		P-UB-10	55 mm	100 mm	CTC-3975181	112.96
	2912682		Bushing	55 mm		CTC-2332614	23.29
STEERING							
LDY1-281; LNH1-UP; RDF1-UP; RGS1-UP							
	2145097		I-U-10	36 mm	65 mm	CTC-2152023	146.53
THUMB							
LDY1-281; LNH1-UP							
	2754243		I-U-10	50 mm	70 mm	CTC-2764172	64.44

REPLACEMENT KITS FOR CATERPILLAR® EQUIPMENT

Backhoe Loaders							
APPLICATION	CYL #	Misc-Parts, Instructions, etc.	CODE	ROD	BORE	KIT #	List \$
MODEL 430F2/430F2 IT							
BACKHOE BOOM							
HWE1-UP; HWG1-UP; LYD1-UP; LYE1-UP							
2469884			P-UB-10	3	5-1/4	CTC-3769015	195.82
BACKHOE BUCKET							
HWE1-UP; HWG1-UP; LYD1-UP; LYE1-UP							
4494908			I-UB-10	2-3/4	3-3/4	CTC-3651342	147.95
BACKHOE EXT STICK							
HWE1-UP; HWG1-UP; LYD1-UP; LYE1-UP							
2107098			P-UB-10	1-1/2	3	CTC-3387156	55.77
BACKHOE STICK							
HWE1-UP; HWG1-UP; LYD1-UP; LYE1-UP							
2107092			P-UB-10	2-1/2	5	CTC-3653007	160.56
BACKHOE SWING LH							
HWE1-UP; HWG1-UP; LYD1-UP; LYE1-UP							
3818055			P-UB-10	50 mm	100 mm	CTC-3779352	92.18
3818055			Bushing	50 mm		CTC-2332613	19.72
BACKHOE SWING RH							
HWE1-UP; HWG1-UP; LYD1-UP; LYE1-UP							
3818054			P-UB-10	50 mm	100 mm	CTC-3779352	92.18
3818054			Bushing	50 mm		CTC-2332613	19.72
COUPLER							
HWE1-UP; HWG1-UP; LYD1-UP; LYE1-UP							
3611139			I-U-15	3/4	1-1/4	CTC-3611131	56.90
4555975			I-U-15	3/4	1-1/4	CTC-3611131	56.90
HWG1-UP; LYE1-UP							
1783713			I-U-10	1	2	CTC-1809872	161.75
LOADER BUCKET MP							
HWE1-UP; HWG1-UP; LYD1-UP; LYE1-UP							
2265540			I-U-10	1-1/2	3	CTC-2309357	76.03
LOADER LIFT LH							
HWE1-607; HWG1-463; LYD1-UP; LYE1-207							
3585034			I-U-10	50 mm	80 mm	CTC-3240356	112.03
HWE608-UP; HWG464-UP; LYD1-UP; LYE208-UP							
5107944			P-U-10	50 mm	80 mm	CTC-5016702	104.94
LOADER LIFT RH							
HWE1-607; HWG1-463; LYD1-UP; LYE1-207							
3585035			I-U-10	50 mm	80 mm	CTC-3240356	112.03
HWE608-UP; HWG464-UP; LYD1-UP; LYE208-UP							
5107945			P-U-10	50 mm	80 mm	CTC-5016702	104.94
LOADER TILT							
HWE1-607; LYD1-204							
3585044			I-U-10	50 mm	90 mm	CTC-3556294	110.87
HWE608-UP; LYD1-UP							
5107946			P-U-10	50 mm	90 mm	CTC-5212972	106.39
HWG1-UP; LYE1-UP							
3585045	Insert Wiper		I-U-10	45 mm	70 mm	CTC-3240411	85.74
3585045	Press In Wiper		P-U-10	45 mm	70 mm	CTC-5212973	82.91
5107947			P-U-10	45 mm	70 mm	CTC-5212973	82.91
STABILIZER LH							
HWE1-UP; HWG1-UP; LYD1-UP; LYE1-UP							
2912681			P-UB-10	55 mm	100 mm	CTC-3975181	112.96
2912681			Bushing	55 mm		CTC-2332614	23.29
STABILIZER RH							
HWE1-UP; HWG1-UP; LYD1-UP; LYE1-UP							
2912682			P-UB-10	55 mm	100 mm	CTC-3975181	112.96
2912682			Bushing	55 mm		CTC-2332614	23.29

CATERPILLAR®

REPLACEMENT KITS FOR CATERPILLAR® EQUIPMENT

Backhoe Loaders							
APPLICATION	CYL #	Misc-Parts, Instructions, etc.	CODE	ROD	BORE	KIT #	List \$
MODEL 430F2/430F2 IT							
STEERING							
	HWE1-UP; HWG1-UP; LYD1-UP; LYE1-UP						
	2145097		I-U-10	36 mm	65 mm	CTC-2152023	146.53
THUMB							
	HWE1-UP; HWG1-UP; LYD1-UP; LYE1-UP						
	2754243		I-U-10	50 mm	70 mm	CTC-2764172	64.44
MODEL 432D							
BACKHOE BOOM							
	BLD1-3844; TDR1-UP; WEP1-UP						
			P-UB-10	2-3/8	4-3/4	CTC-2350973	137.14
BACKHOE BUCKET							
	BLD1-3844; TDR1-UP; WEP1-UP						
	1804849		I-UB-10	2-1/2	3-1/2	CTC-2235945	90.88
	1917835		I-UB-10	2-3/4	3-3/4	CTC-2315021	101.67
	1917839		I-UB-10	2-3/4	3-3/4	CTC-2315021	101.67
	2060518		I-UB-10	2-1/2	3-1/2	CTC-2235945	90.88
	BLD1-UP						
	1668140		I-UB-10	2-3/4	3-3/4	CTC-1939270	139.64
	1668141		I-UB-10	2-3/4	3-3/4	CTC-1939270	139.64
BACKHOE EXT STICK							
	BLD1-859						
	1647174		P-UB-10	1-1/2	3	CTC-2350354	47.14
BACKHOE STABILIZER							
	BLD1-3844; TDR1-UP; WEP1-UP						
	1734565		P-UB-10	1-3/4	2-3/4	CTC-2342595	190.69
BACKHOE STICK							
	BLD1-859						
			P-UB-10	2-1/2	4-1/2	CTC-2435805	100.86
	BLD860-UP; TDR1-UP; WEP1-UP						
			P-UB-10	2-1/2	4-1/2	CTC-2297194	75.66
BACKHOE SWING							
	BLD1-859						
	1699529		P-UB-10	2	4	CTC-2409538	94.69
	1699530		P-UB-10	2	4	CTC-2409538	94.69
	BLD860-UP; TDR1-321; WEP1-881						
			P-UB-10	2	4	CTC-2618625	64.19
COUPLER							
	BLD1-3844; TDR1-UP; WEP1-UP						
			I-U-10	1	2	CTC-1809872	161.75
LOADER BUCKET MP							
	BLD1-3844; TDR1-UP; WEP1-UP						
	1851839		P-UB-10	1-1/2	3	CTC-2350354	47.14
LOADER LIFT							
	BLD1-859						
	1807490		P-UB-10	2	85 mm	CTC-2410110	169.26
	BLD860-UP; TDR1-UP; WEP1-UP						
			P-UB-10	2	85 mm	CTC-2600273	131.34
LOADER TILT							
	BLD1-859						
	1832848		P-UB-10	2	75 mm	CTC-2410109	125.15
	BLD860-UP; TDR1-UP; WEP1-UP						
			P-UB-10	2	75 mm	CTC-2617175	109.80
STEERING							
	BLD1-UP						
	1787190		I-U-10	36 mm	65 mm	CTC-1787189	302.43

REPLACEMENT KITS FOR CATERPILLAR® EQUIPMENT

Backhoe Loaders							
APPLICATION	CYL #	Misc-Parts, Instructions, etc.	CODE	ROD	BORE	KIT #	List \$
MODEL 432E							
BACKHOE BOOM							
BXE1-UP							
	2689049		P-UB-10	2-3/8	4-3/4	CTC-2350973	137.14
BXE1-UP; RXS1-UP							
	2107076		P-UB-10	2-3/8	4-3/4	CTC-2959893	124.37
BACKHOE BUCKET							
BXE1-UP; RXS1-UP							
			I-UB-10	2-3/8	85 mm	CTC-3651283	95.29
BACKHOE EXT STICK							
BXE1-UP; RXS1-UP							
			P-UB-10	1-1/2	3	CTC-3387156	55.77
			P-UB-10	65 mm	4-3/4	CTC-3651270	259.14
BACKHOE STABILIZER							
BXE1-UP; RXS1-UP							
			P-UB-10	1-3/4	2-3/4	CTC-2342595	190.69
BACKHOE STICK							
BXE1-UP; RXS1-UP							
			P-UB-10	65 mm	4-3/4	CTC-3651270	259.14
COUPLER							
BXE1-UP; JBA1-UP; RXS1-UP							
			I-U-10	1	2	CTC-1809872	161.75
LOADER BUCKET MP							
BXE1-UP; RXS1-UP							
			P-UB-10	1-1/2	3	CTC-2350354	47.14
JBA1-UP; RXS1-UP							
			I-U-10	1-1/2	3	CTC-2309357	76.03
LOADER LIFT							
BXE1-UP; RXS1-UP							
			P-UB-10	2	85 mm	CTC-2600273	131.34
LOADER TILT							
BXE1-UP; RXS1-UP							
			P-UB-10	2	75 mm	CTC-2617175	109.80
STEERING							
BXE1-UP							
	2385238		I-U-10	38 mm	85 mm	CTC-2172886	185.27
MODEL 432F							
COUPLER							
LNR1-UP; SEJ1-UP							
			I-U-10	1	2	CTC-1809872	161.75
LOADER BUCKET MP							
LNR1-UP; SEJ1-UP							
			I-U-10	1-1/2	3	CTC-2309357	76.03
MODEL 434E							
BACKHOE BOOM							
FSH1-UP							
	2689049		P-UB-10	2-3/8	4-3/4	CTC-2350973	137.14
FSH1-UP; SXB1-UP							
			P-UB-10	2-3/8	4-3/4	CTC-2959893	124.37
BACKHOE BUCKET							
FSH1-UP; SXB1-UP							
			I-UB-10	2-3/8	85 mm	CTC-3651283	95.29
BACKHOE EXT STICK							
FSH1-UP; SXB1-UP							
			P-UB-10	1-1/2	3	CTC-3387156	55.77
			P-UB-10	65 mm	4-3/4	CTC-3651270	259.14

CATERPILLAR®

REPLACEMENT KITS FOR CATERPILLAR® EQUIPMENT

Backhoe Loaders							
APPLICATION	CYL #	Misc-Parts, Instructions, etc.	CODE	ROD	BORE	KIT #	List \$
MODEL 434E							
BACKHOE STABILIZER							
	FSH1-UP; SXB1-UP						
			P-UB-10	1-3/4	2-3/4	CTC-2342595	190.69
BACKHOE STICK							
	FSH1-UP; SXB1-UP						
			P-UB-10	65 mm	4-3/4	CTC-3651270	259.14
COUPLER							
	FSH1-UP; SJL1-UP; SXB1-UP						
			I-U-10	1	2	CTC-1809872	161.75
LOADER BUCKET MP							
	FSH1-UP						
			P-UB-10	1-1/2	3	CTC-2350354	47.14
	SEF1-UP; SJL1-UP; SXB1-UP						
			I-U-10	1-1/2	3	CTC-2309357	76.03
STEERING							
	FSH1-UP						
			I-U-10	38 mm	85 mm	CTC-2172886	185.27
	FSH1-UP; SEF1-UP; SJL1-UP; SXB1-UP						
			I-U-10	42 mm	85 mm	CTC-2807013	172.07
MODEL 434F							
COUPLER							
	LDH1-UP						
			I-U-15	3/4	1-1/4	CTC-3611131	56.90
LOADER BUCKET MP							
	FLY1-UP; LDH1-UP						
			I-U-10	1-1/2	3	CTC-2309357	76.03
MODEL 436B							
BACKHOE BOOM							
	6E0274		P-UB-10	2-3/8	4-1/2	CTC-3E8877	214.74
	5KF1-UP						
	6E1670		P-UB-10	2	3-1/2	CTC-2281778	106.58
	9T5222		P-UB-10	2	3-1/2	CTC-2281778	106.58
	6MJ1-UP; 7FL1-UP						
	6E1948	Head 1213395	P-UB-10	2-1/2	5	CTC-2275347	128.71
BACKHOE BUCKET							
	1268316	PTFE piston seal	I-UB-10	2-3/4	3-3/4	CTC-1945603	119.95
	6E0275		I-UB-10	2-1/2	3-1/2	CTC-3E3299	183.90
	6E1809	PTFE piston seal	I-UB-10	2-3/4	3-3/4	CTC-1945603	119.95
	5KF1-805; 5KF806-UP						
	9T7288		I-UB-10	2-3/4	3-3/4	CTC-3E3314	235.09
	5KF806-UP						
	6E3297		I-UB-10	2-3/4	3-3/4	CTC-1939270	139.64
	6MJ1-UP; 7FL1-UP						
	1268316	Nylon piston seal	I-UB-10	2-3/4	3-3/4	CTC-1939270	139.64
	6E1809	Nylon piston seal	I-UB-10	2-3/4	3-3/4	CTC-1939270	139.64
BACKHOE EXT BUCKET							
	6E3692		I-UB-10	2-3/4	3-3/4	CTC-9X2020	149.28
BACKHOE EXT STICK							
	5KF1-UP; 6MJ1-UP; 7FL1-UP						
	6E3662		P-UB-10	1-1/2	3	CTC-2350354	47.14
	9T4809		P-UB-10	1-1/2	3	CTC-2350354	47.14
BACKHOE STICK							
	6MJ1-UP; 7FL1-UP						
	6E1935		P-UB-10	2-3/4	5	CTC-2440958	163.34
BACKHOE SWING							
	6E1864		P-UB-10	2	4	CTC-1328816	127.22

REPLACEMENT KITS FOR CATERPILLAR® EQUIPMENT

Backhoe Loaders							
APPLICATION	CYL #	Misc-Parts, Instructions, etc.	CODE	ROD	BORE	KIT #	List \$
MODEL 436B							
BACKHOE SWING							
5KF1-UP							
4T6879			P-UB-10	2-1/8	4	CTC-2465929	59.30
6E0093			P-UB-10	2-1/8	4	CTC-2465929	59.30
6E0095			P-UB-10	2-1/8	4	CTC-2465929	59.30
9T0529			P-UB-10	2-1/8	4	CTC-2465929	59.30
6MJ1-UP; 7FL1-UP							
1166861			P-UB-10	2	4	CTC-2409538	94.69
6E0288			P-UB-10	2	4	CTC-2409538	94.69
LOADER BUCKET MP							
5KF1-UP; 6MJ1-UP; 7FL1-UP							
9T4006			P-UB-10	1-1/2	3	CTC-2350354	47.14
LOADER LIFT							
5KF1-UP; 6MJ1-UP; 7FL1-UP							
1070624			P-UB-10	1-7/8	3-1/4	CTC-2465926	60.62
6E0103			P-UB-10	1-7/8	3-1/4	CTC-2465926	60.62
9T0415			P-UB-10	1-7/8	3-1/4	CTC-2465926	60.62
LOADER TILT							
5KF1-UP; 6MJ1-UP; 7FL1-UP							
1071855			P-UB-10	2	3-1/2	CTC-2281778	106.58
1074346			P-UB-10	2	3-1/2	CTC-2281778	106.58
6E0113			P-UB-10	2	3-1/2	CTC-2281778	106.58
9T5371			P-UB-10	2	3-1/2	CTC-2281778	106.58
STABILIZER							
9T2993			P-UB-10	2-1/8	4	CTC-9X2400	163.44
9T2994			P-UB-10	2-1/8	4	CTC-9X2400	163.44
5KF1-UP; 6MJ1-UP; 7FL1-UP							
1052323			P-UB-10	2-1/8	4	CTC-2465929	59.30
1052358			P-UB-10	2-1/8	4	CTC-2465929	59.30
1164365			P-UB-10	2-1/8	4	CTC-2465929	59.30
1164366			P-UB-10	2-1/8	4	CTC-2465929	59.30
1164367			P-UB-10	2-1/8	4	CTC-2465929	59.30
1164368			P-UB-10	2-1/8	4	CTC-2465929	59.30
1165353			P-UB-10	2-1/8	4	CTC-2465929	59.30
1165354			P-UB-10	2-1/8	4	CTC-2465929	59.30
1302364			P-UB-10	2-1/8	4	CTC-2465929	59.30
1302365			P-UB-10	2-1/8	4	CTC-2465929	59.30
6E0097			P-UB-10	2-1/8	4	CTC-2465929	59.30
6E0099			P-UB-10	2-1/8	4	CTC-2465929	59.30
9T7391			P-UB-10	2-1/8	4	CTC-2465929	59.30
9T7392			P-UB-10	2-1/8	4	CTC-2465929	59.30
STABILIZER RH							
9T7069			P-UB-10	2-1/8	4	CTC-8T3593	97.36
STEERING							
5KF1-1552							
9T1493			P-UB-10	1-7/8	3	CTC-2465925	159.15
5KF1553-UP; 6MJ1-UP; 7FL1-UP							
6E5190			P-UB-10	1-7/8	3	CTC-2465927	150.30
MODEL 436C							
BACKHOE BOOM							
1118211			P-UB-10	2-5/8	5-1/4	CTC-1361908	242.54
1FR1-1415; 1PR1-1598; 1RR1-997; 2AR1-1603; 2BR1-910; 8TN1-924; 9JN1-883							
6E1948	Head 1213395		P-UB-10	2-1/2	5	CTC-2275347	128.71
6E1948	Head 6E1953		P-UB-10	2-1/2	5	CTC-2430384	111.22

CATERPILLAR®

REPLACEMENT KITS FOR CATERPILLAR® EQUIPMENT

Backhoe Loaders							
APPLICATION	CYL #	Misc-Parts, Instructions, etc.	CODE	ROD	BORE	KIT #	List \$
MODEL 436C							
BACKHOE BUCKET							
	1118216		I-UB-10	2-3/4	3-3/4	CTC-9X2020	149.28
	1268316	PTFE piston seal	I-UB-10	2-3/4	3-3/4	CTC-1945603	119.95
	9T6305		I-UB-10	2-3/4	3-3/4	CTC-9X2020	149.28
	1FR1-UP; 1PR1-UP; 1RR1-1099; 2AR1-UP; 2BR1-999; 8TN1-UP; 9JN1-1049						
	1268316	Nylon piston seal	I-UB-10	2-3/4	3-3/4	CTC-1939270	139.64
BACKHOE EXT BUCKET							
	1144828		I-UB-10	2-3/4	3-3/4	CTC-9X2020	149.28
	6E3692		I-UB-10	2-3/4	3-3/4	CTC-9X2020	149.28
	9T4760		I-UB-10	2-3/4	3-3/4	CTC-9X2020	149.28
BACKHOE EXT STICK							
	6E5383		P-UB-10	1-3/4	3	CTC-7X2825	73.65
	1FR1-1421; 1PR1-1815; 1RR1-UP; 2AR1-1874; 2BR1-UP; 8TN1-1315; 9JN1-UP						
	1535735		P-UB-10	1-1/2	3	CTC-2350354	47.14
	1647178		P-UB-10	1-1/2	3	CTC-2350354	47.14
	6E3662		P-UB-10	1-1/2	3	CTC-2350354	47.14
BACKHOE STICK							
	1118213		P-UB-10	3	5-1/4	CTC-3E3293	243.78
	1239707		P-UB-10	1-3/4	3	CTC-7X2825	73.65
	6E1936		P-UB-10	2-3/4	5	CTC-3E8878	249.78
	6E3062		P-UB-10	3	5-1/4	CTC-3E3293	243.78
	6E3314		P-UB-10	3	5-1/4	CTC-3E3293	243.78
	9T8823		I-U-3	1	2	CTC-9T0418	125.53
	9T9186		P-UB-10	3	5-1/4	CTC-3E3293	243.78
	1FR1-1421; 1PR1-1815; 1RR1-UP; 2AR1-1874; 2BR1-UP; 8TN1-1315; 9JN1-UP						
	6E1935		P-UB-10	2-3/4	5	CTC-2440958	163.34
BACKHOE SWING							
	1121765		P-UB-10	2	4	CTC-1113302	163.17
	6E5219		P-UB-10	2	4	CTC-1113302	163.17
	1FR1-1421; 1PR1-1815; 1RR1-UP; 2AR1-1874; 2BR1-UP; 8TN1-1315; 9JN1-UP						
	1166861		P-UB-10	2	4	CTC-2409538	94.69
	1699529		P-UB-10	2	4	CTC-2409538	94.69
BACKHOE SWING LH							
	9T1701		P-UB-10	2-1/8	4	CTC-9X2400	163.44
BACKHOE SWING RH							
	9T1230		P-UB-10	2-1/8	4	CTC-9X2400	163.44
COUPLER							
	1PR1-UP; 1RR1-UP; 2AR1-UP; 2BR1-UP						
	1783713		I-U-10	1	2	CTC-1809872	161.75
LOADER BUCKET MP							
	1FR1-1421; 1PR1-1815; 1RR1-UP; 2AR1-1874; 2BR1-UP; 8TN1-1315; 9JN1-UP						
	1851839		P-UB-10	1-1/2	3	CTC-2350354	47.14
	9T4006		P-UB-10	1-1/2	3	CTC-2350354	47.14
LOADER LIFT							
	1117712		P-UB-10	2-1/4	3-3/4	CTC-1361897	184.83
	1257895		P-UB-10	2-1/4	3-3/4	CTC-1361897	184.83
	9T2997		P-UB-10	2	3-3/4	CTC-7X7938	143.47
	1FR1-1421; 1PR1-1815; 1RR1-UP; 2AR1-1874; 2BR1-UP; 8TN1-1315; 9JN1-UP						
	1108688		P-UB-10	2	3-1/2	CTC-2281778	106.58
	1110888		P-UB-10	2	3-1/2	CTC-2281778	106.58
	1216764		P-UB-10	2	3-1/2	CTC-2281778	106.58
	1235087		P-UB-10	2	3-1/2	CTC-2281778	106.58
	1235089		P-UB-10	2	3-1/2	CTC-2281778	106.58
LOADER TILT							
	1007844		P-UB-10	2	4	CTC-1328816	127.22
	9T2995		P-UB-10	2	4	CTC-1328816	127.22

REPLACEMENT KITS FOR CATERPILLAR® EQUIPMENT

Backhoe Loaders							
APPLICATION	CYL #	Misc-Parts, Instructions, etc.	CODE	ROD	BORE	KIT #	List \$
MODEL 436C							
LOADER TILT							
1FR1-UP; 8TN1-UP; 9JN1-UP							
1071855			P-UB-10	2	3-1/2	CTC-2281778	106.58
1074346			P-UB-10	2	3-1/2	CTC-2281778	106.58
1836100			P-UB-10	2	3-1/2	CTC-2281778	106.58
6E0113			P-UB-10	2	3-1/2	CTC-2281778	106.58
1PR1-UP; 1RR1-UP; 2AR1-UP; 2BR1-UP							
1121822			P-UB-10	2	3	CTC-2384462	61.50
1235091			P-UB-10	2	3	CTC-2384462	61.50
1235093			P-UB-10	2	3	CTC-2384462	61.50
1835158			P-UB-10	2	3	CTC-2384462	61.50
STABILIZER LH							
1329701			P-UB-10	2-1/8	4	CTC-1305923	187.39
1521806			P-UB-10	2-1/8	4	CTC-2465929	59.30
9T2994			P-UB-10	2-1/8	4	CTC-1305923	187.39
1FR1-1415; 1PR1-1603; 1RR1-997; 2AR1-1616; 2BR1-910; 8TN1-933; 9JN1-883							
1311846	Head 9T6388		P-UB-10	2-1/8	4	CTC-2465929	59.30
1311847	Head 9T6388		P-UB-10	2-1/8	4	CTC-2465929	59.30
1FR1416-UP; 1PR1599-UP; 1RR998-UP; 2AR1604-UP; 2BR911-UP; 8TN925-UP; 9JN884-UP							
1521796	Head 1521863		P-UB-10	2-1/8	4	CTC-2465928	233.10
1521806	Head 1521863		P-UB-10	2-1/8	4	CTC-2465928	233.10
1731926	Head 1521863		P-UB-10	2-1/8	4	CTC-2465928	233.10
1731927	Head 1521863		P-UB-10	2-1/8	4	CTC-2465928	233.10
STABILIZER RH							
1329700			P-UB-10	2-1/8	4	CTC-1305923	187.39
1521796			P-UB-10	2-1/8	4	CTC-2465929	59.30
9T2993			P-UB-10	2-1/8	4	CTC-1305923	187.39
STEERING							
1156437			P-UB-10	1-3/4	2-1/2	CTC-1539054	155.22
1FR1-UP; 1PR1-1598; 1RR1-UP; 2AR1-1603; 2BR1-UP; 8TN1-UP; 9JN1-UP							
1787190			I-U-10	36 mm	65 mm	CTC-1787189	302.43
2AR1-1603; 2BR1-910; 8TN1-924; 9JN1-883							
1156437	Head 6E4941		P-UB-10	1-3/4	2-3/4	CTC-2350352	138.06
2AR1-UP; 2BR1-UP; 8TN1-UP; 9JN1-UP							
1156437	Head 1515349		P-UB-10	1-3/4	2-3/4	CTC-2350351	198.90
1674235	Head 1515349		P-UB-10	1-3/4	2-3/4	CTC-2350351	198.90
MODEL 438B							
BACKHOE BOOM							
3DJ1-UP							
9T5219			P-UB-10	1-7/8	3-1/4	CTC-2465926	60.62
3KK1-UP							
6E0274			P-UB-10	2-3/8	4-1/2	CTC-2418924	104.24
BACKHOE BUCKET							
1268308			I-UB-10	2-1/2	3-1/2	CTC-3E3299	183.90
6E0275			I-UB-10	2-1/2	3-1/2	CTC-3E3299	183.90
3DJ1-UP							
9T7288			I-UB-10	2-3/4	3-3/4	CTC-3E3314	235.09
3KK1-UP							
1268312			I-UB-10	2-3/4	3-3/4	CTC-1939270	139.64
6E3693			I-UB-10	2-3/4	3-3/4	CTC-1939270	139.64
BACKHOE EXT BUCKET							
6E2421			I-UB-10	2-3/4	3-3/4	CTC-1945603	119.95
3KK1-2999							
6E2421			I-UB-10	2-3/4	3-3/4	CTC-2235944	108.68
3KK1-UP							
6E1964			I-UB-10	2-1/2	3-1/2	CTC-1864327	95.53

CATERPILLAR®

REPLACEMENT KITS FOR CATERPILLAR® EQUIPMENT

Backhoe Loaders							
APPLICATION	CYL #	Misc-Parts, Instructions, etc.	CODE	ROD	BORE	KIT #	List \$
MODEL 438B							
BACKHOE EXT STICK							
3DJ1-UP; 3KK1-UP							
	6E0404		P-UB-10	1-1/2	3	CTC-2350354	47.14
	9T4809		P-UB-10	1-1/2	3	CTC-2350354	47.14
3KK3000-UP							
	6E2421		I-UB-10	2-3/4	3-3/4	CTC-2235944	108.68
BACKHOE STICK							
	6E0290	Rod Bearing width- 0.98"	P-UB-10	2-1/2	4-1/2	CTC-2310898	103.44
3DJ1-UP							
	6E0089		P-UB-10	2-1/2	4-1/4	CTC-2422538	78.27
	9T7291		P-UB-10	2-1/2	4-1/4	CTC-2422538	78.27
3KK1-2999							
	6E0290	Head 6E1405; Rod Bearing width- 1.25	P-UB-10	2-1/2	4-1/2	CTC-2435798	103.74
3KK1-UP							
	1097021	Head 1213398	P-UB-10	2-1/2	4-1/2	CTC-2310898	103.44
BACKHOE SWING							
3DJ1-UP							
	6E0115		P-UB-10	2-1/8	4	CTC-2465929	59.30
	6E0117		P-UB-10	2-1/8	4	CTC-2465929	59.30
	9T0420		P-UB-10	2-1/8	4	CTC-2465929	59.30
	9T0421		P-UB-10	2-1/8	4	CTC-2465929	59.30
3KK1-UP							
	1166858		P-UB-10	2	4	CTC-2409538	94.69
	1166861		P-UB-10	2	4	CTC-2409538	94.69
	6E0288		P-UB-10	2	4	CTC-2409538	94.69
	6E1864		P-UB-10	2	4	CTC-2409538	94.69
LOADER BUCKET MP							
3DJ1-UP; 3KK1-UP							
	9T4006		P-UB-10	1-1/2	3	CTC-2350354	47.14
LOADER LIFT							
3DJ1-UP; 3KK1-UP							
	1070624		P-UB-10	1-7/8	3-1/4	CTC-2465926	60.62
	6E0103		P-UB-10	1-7/8	3-1/4	CTC-2465926	60.62
	9T0415		P-UB-10	1-7/8	3-1/4	CTC-2465926	60.62
LOADER TILT							
3DJ1-UP; 3KK1-UP							
	1071855		P-UB-10	2	3-1/2	CTC-2281778	106.58
	6E0113		P-UB-10	2	3-1/2	CTC-2281778	106.58
	9T5371		P-UB-10	2	3-1/2	CTC-2281778	106.58
SIDESHIFT							
	1166858		P-UB-10	2	4	CTC-2409538	94.69
SIDESHIFT RH							
	1166858		P-UB-10	2	4	CTC-2409538	94.69
STABILIZER							
	1266950	Head# 1515349	P-UB-10	1-3/4	2-3/4	CTC-2342595	190.69
	6E3483	Head# 1515349	P-UB-10	1-3/4	2-3/4	CTC-2342595	190.69
3DJ1-UP; 3KK1-UP							
	1266950	Head 6E4941	P-UB-10	1-3/4	2-3/4	CTC-2402482	56.36
	6E0119		P-UB-10	1-3/4	2-3/4	CTC-2402482	56.36
	6E3483	Head 6E4941	P-UB-10	1-3/4	2-3/4	CTC-2402482	56.36
	9T0527		P-UB-10	1-3/4	2-3/4	CTC-2402482	56.36
	9T9709		P-UB-10	1-3/4	2-3/4	CTC-2402482	56.36
STEERING							
3DJ1-UP							
	9T1493		P-UB-10	1-7/8	3	CTC-2465925	159.15

REPLACEMENT KITS FOR CATERPILLAR® EQUIPMENT

Backhoe Loaders							
APPLICATION	CYL #	Misc-Parts, Instructions, etc.	CODE	ROD	BORE	KIT #	List \$
MODEL 438C							
BACKHOE BOOM							
1JR1107-UP; 1TR1284-UP; 2DR2717-UP; 9KN1061-UP							
1529148			P-UB-10	2-3/8	4-3/4	CTC-2350973	137.14
1JR1-1106; 1TR1-1283; 2DR1-2716; 9KN1-1060							
6E0274			P-UB-10	2-3/8	4-1/2	CTC-2418924	104.24
BACKHOE BUCKET							
6E3693							
			I-UB-10	2-3/4	3-3/4	CTC-1361990	225.67
1JR1-UP; 1TR1-1549; 2DR1-3249; 9KN1-UP							
1268312			I-UB-10	2-3/4	3-3/4	CTC-1939270	139.64
BACKHOE EXT BUCKET							
6E2421 PTFE piston seal							
			I-UB-10	2-3/4	3-3/4	CTC-1945603	119.95
1JR1-1155; 1TR1-2096; 2DR1-3741; 9KN1-1418							
1668141			I-UB-10	2-3/4	3-3/4	CTC-1939270	139.64
6E2421 Nylon piston seal							
			I-UB-10	2-3/4	3-3/4	CTC-1939270	139.64
1JR1-UP; 1TR1-1549; 2DR1-3249; 9KN1-UP							
6E1964			I-UB-10	2-1/2	3-1/2	CTC-1864327	95.53
BACKHOE EXT STICK							
1JR1-1155; 1TR1-2096; 2DR1-3741; 9KN1-1418							
1647174			P-UB-10	1-1/2	3	CTC-2350354	47.14
6E0404			P-UB-10	1-1/2	3	CTC-2350354	47.14
BACKHOE STICK							
1JR1107-UP; 1TR1374-UP; 2DR3157-UP; 9KN1061-UP							
1734015		Head 1843711	P-UB-10	2-1/2	4-1/2	CTC-2435805	100.86
1JR1-1155; 1TR1-2096; 2DR1-3741; 9KN1-1418							
1097021		Head 1213398 or 1747432	P-UB-10	2-1/2	4-1/2	CTC-2310898	103.44
1734015		Head 1213398 or 1747432	P-UB-10	2-1/2	4-1/2	CTC-2310898	103.44
BACKHOE SWING							
1JR1-1155; 1TR1-2096; 2DR1-3741; 9KN1-1418							
1166858			P-UB-10	2	4	CTC-2409538	94.69
1166861			P-UB-10	2	4	CTC-2409538	94.69
1699529			P-UB-10	2	4	CTC-2409538	94.69
1699530			P-UB-10	2	4	CTC-2409538	94.69
COUPLER							
1TR1-UP; 2DR1-UP							
1783713			I-U-10	1	2	CTC-1809872	161.75
LOADER BUCKET MP							
1JR1-1155; 1TR1-2096; 2DR1-3741; 9KN1-1418							
1851839			P-UB-10	1-1/2	3	CTC-2350354	47.14
9T4006			P-UB-10	1-1/2	3	CTC-2350354	47.14
LOADER LIFT							
1JR1-UP; 9KN1-UP							
1070624			P-UB-10	1-7/8	3-1/4	CTC-2465926	60.62
6E0103			P-UB-10	1-7/8	3-1/4	CTC-2465926	60.62
9T0415			P-UB-10	1-7/8	3-1/4	CTC-2465926	60.62
1TR1-UP; 2DR1-UP							
1110888			P-UB-10	2	3-1/2	CTC-2281778	106.58
1235089			P-UB-10	2	3-1/2	CTC-2281778	106.58
LOADER TILT							
1JR1-UP; 9KN1-UP							
1071855			P-UB-10	2	3-1/2	CTC-2281778	106.58
1074346			P-UB-10	2	3-1/2	CTC-2281778	106.58
1836100			P-UB-10	2	3-1/2	CTC-2281778	106.58
6E0113			P-UB-10	2	3-1/2	CTC-2281778	106.58

CATERPILLAR®

REPLACEMENT KITS FOR CATERPILLAR® EQUIPMENT

Backhoe Loaders							
APPLICATION	CYL #	Misc-Parts, Instructions, etc.	CODE	ROD	BORE	KIT #	List \$
MODEL 438C							
LOADER TILT							
1TR1-UP; 2DR1-UP							
	1121822		P-UB-10	2	3	CTC-2384462	61.50
	1235091		P-UB-10	2	3	CTC-2384462	61.50
	1235093		P-UB-10	2	3	CTC-2384462	61.50
	1835158		P-UB-10	2	3	CTC-2384462	61.50
SIDESHIFT							
	1166858		P-UB-10	2	4	CTC-2409538	94.69
SIDESHIFT RH							
	1166858		P-UB-10	2	4	CTC-2409538	94.69
STABILIZER							
1JR1107-UP; 1TR1-UP; 2DR1-UP; 9KN1061-UP							
	1266950	Head 1515349	P-UB-10	1-3/4	2-3/4	CTC-2342595	190.69
	1734565	Head 1515349	P-UB-10	1-3/4	2-3/4	CTC-2342595	190.69
1JR1-1149; 1TR1-1549; 2DR1-3249; 9KN1-1199							
	1266950	Head 6E4941	P-UB-10	1-3/4	2-3/4	CTC-2402482	56.36
STEERING							
1JR1-1155; 1TR1-2096; 2DR1-3741; 9KN1-1418							
	1787190		I-U-10	36 mm	65 mm	CTC-1787189	302.43
UNSPECIFIED APPLICATION							
	1235087		P-UB-10	2	3-1/2	CTC-7X2783	141.24
	9T8823		I-U-3	1	2	CTC-9T0418	125.53
MODEL 438D							
BACKHOE BOOM							
BPE1-742; BPN1-549							
			P-UB-10	2-3/8	4-3/4	CTC-2350973	137.14
BACKHOE BUCKET							
BPE1-742; BPN1-549							
	1668140		I-UB-10	2-3/4	3-3/4	CTC-1939270	139.64
	1668141		I-UB-10	2-3/4	3-3/4	CTC-1939270	139.64
	1804849		I-UB-10	2-1/2	3-1/2	CTC-2235945	90.88
	1917835		I-UB-10	2-3/4	3-3/4	CTC-2315021	101.67
	1917839		I-UB-10	2-3/4	3-3/4	CTC-2315021	101.67
BACKHOE EXT STICK							
BPE1-511; BPN1-364							
	1647174		P-UB-10	1-1/2	3	CTC-2350354	47.14
BACKHOE STICK							
BPE1-511; BPN1-364							
			P-UB-10	2-1/2	4-1/2	CTC-2435805	100.86
BPE512-UP; BPN365-UP							
			P-UB-10	2-1/2	4-1/2	CTC-2297194	75.66
BACKHOE SWING							
BPE1-511; BPN1-364							
	1699529		P-UB-10	2	4	CTC-2409538	94.69
	1699530		P-UB-10	2	4	CTC-2409538	94.69
BPE512-UP; BPN365-UP							
			P-UB-10	2	4	CTC-2618625	64.19
LOADER BUCKET MP							
BPE1-742; BPN1-549							
	1851839		P-UB-10	1-1/2	3	CTC-2350354	47.14
LOADER LIFT							
BPE1-511; BPN1-364							
	1807490		P-UB-10	2	85 mm	CTC-2410110	169.26
BPE512-UP; BPN365-UP							
			P-UB-10	2	85 mm	CTC-2600273	131.34

REPLACEMENT KITS FOR CATERPILLAR® EQUIPMENT

Backhoe Loaders							
APPLICATION	CYL #	Misc-Parts, Instructions, etc.	CODE	ROD	BORE	KIT #	List \$
MODEL 438D							
LOADER TILT							
BPE1-511; BPN1-364							
	1832848		P-UB-10	2	75 mm	CTC-2410109	125.15
BPE512-UP; BPN365-UP							
			P-UB-10	2	75 mm	CTC-2617175	109.80
STABILIZER							
BPE1-742; BPN1-549							
	1734565		P-UB-10	1-3/4	2-3/4	CTC-2342595	190.69
STEERING							
BPE1-742; BPN1-549							
	1787190		I-U-10	36 mm	65 mm	CTC-1787189	302.43
MODEL 442D							
BACKHOE BOOM							
BRG1-1122; BRY1-890; SMJ1-UP; TBD1-UP							
			P-UB-10	2-3/8	4-3/4	CTC-2350973	137.14
BACKHOE BUCKET							
BRG1-1122; BRY1-890; SMJ1-UP; TBD1-UP							
	1804849		I-UB-10	2-1/2	3-1/2	CTC-2235945	90.88
	1917835		I-UB-10	2-3/4	3-3/4	CTC-2315021	101.67
	1917839		I-UB-10	2-3/4	3-3/4	CTC-2315021	101.67
BRG1-827; BRY1-746							
	1668140		I-UB-10	2-3/4	3-3/4	CTC-1939270	139.64
	1668141		I-UB-10	2-3/4	3-3/4	CTC-1939270	139.64
BACKHOE EXT STICK							
BRG1-649; BRY1-623							
	1647174		P-UB-10	1-1/2	3	CTC-2350354	47.14
BACKHOE STICK							
BRG1-649; BRY1-623							
			P-UB-10	2-1/2	4-1/2	CTC-2435805	100.86
BRG650-UP; BRY624-UP; SMJ1-UP; TBD1-UP							
			P-UB-10	2-1/2	4-1/2	CTC-2297194	75.66
BACKHOE SWING							
BRG1-649; BRY1-623							
	1699529		P-UB-10	2	4	CTC-2409538	94.69
	1699530		P-UB-10	2	4	CTC-2409538	94.69
BRG650-UP; BRY624-UP; SMJ1-233; TBD1-287							
			P-UB-10	2	4	CTC-2618625	64.19
COUPLER							
BRG1-1122; BRY1-890; SMJ1-UP; TBD1-UP							
			I-U-10	1	2	CTC-1809872	161.75
LOADER BUCKET MP							
BRG1-1122; BRY1-890; SMJ1-UP; TBD1-UP							
	1851839		P-UB-10	1-1/2	3	CTC-2350354	47.14
LOADER LIFT							
BRG1-649; BRY1-623							
	1807490		P-UB-10	2	85 mm	CTC-2410110	169.26
BRG650-UP; BRY624-UP; SMJ1-UP; TBD1-UP							
			P-UB-10	2	85 mm	CTC-2600273	131.34
LOADER TILT							
BRG1-649; BRY1-623							
	1832848		P-UB-10	2	75 mm	CTC-2410109	125.15
BRG650-UP; BRY624-UP; SMJ1-UP; TBD1-UP							
			P-UB-10	2	75 mm	CTC-2617175	109.80
STABILIZER							
BRG1-1122; BRY1-890; SMJ1-UP; TBD1-UP							
	1734565		P-UB-10	1-3/4	2-3/4	CTC-2342595	190.69

CATERPILLAR®

REPLACEMENT KITS FOR CATERPILLAR® EQUIPMENT

Backhoe Loaders							
APPLICATION	CYL #	Misc-Parts, Instructions, etc.	CODE	ROD	BORE	KIT #	List \$
MODEL 442D							
STEERING							
		BRG1-UP; BRY1-UP					
	1787190		I-U-10	36 mm	65 mm	CTC-1787189	302.43
MODEL 442E							
BACKHOE BOOM							
		GKZ1-UP; PCR1-UP					
			P-UB-10	3	5-1/4	CTC-3769015	195.82
BACKHOE BUCKET							
		GKZ1-UP; PCR1-UP					
			I-UB-10	2-3/4	3-3/4	CTC-3651342	147.95
BACKHOE EXT STICK							
		GKZ1-UP; PCR1-UP					
			P-UB-10	1-1/2	3	CTC-3387156	55.77
			P-UB-10	2-1/2	5	CTC-3653007	160.56
BACKHOE STICK							
		GKZ1-UP; PCR1-UP					
			P-UB-10	2-1/2	5	CTC-3653007	160.56
COUPLER							
		EME1-UP; GKZ1-UP; PCR1-UP					
			I-U-10	1	2	CTC-1809872	161.75
LOADER BUCKET MP							
		EME1-UP; PCR1-UP					
			I-U-10	1-1/2	3	CTC-2309357	76.03
		GKZ1-UP					
			P-UB-10	1-1/2	3	CTC-2350354	47.14
LOADER LIFT							
		GKZ1-UP; PCR1-UP					
			P-UB-10	2	85 mm	CTC-2600273	131.34
LOADER TILT							
		GKZ1-UP; PCR1-UP					
			P-UB-10	2	75 mm	CTC-2617175	109.80
STABILIZER							
		GKZ1-UP; PCR1-UP					
			P-UB-10	1-3/4	2-3/4	CTC-2342595	190.69
MODEL 444E							
BACKHOE BOOM							
		HXB1-UP; LBE1-UP					
			P-UB-10	3	5-1/4	CTC-3769015	195.82
BACKHOE BUCKET							
		HXB1-UP; LBE1-UP					
			I-UB-10	2-3/4	3-3/4	CTC-3651342	147.95
BACKHOE EXT STICK							
		HXB1-UP; LBE1-UP					
			P-UB-10	2-1/2	5	CTC-3653007	160.56
		HXB1-UP; LBE1-UP; NBA1-UP					
			P-UB-10	1-1/2	3	CTC-3387156	55.77
BACKHOE STICK							
		HXB1-UP; LBE1-UP					
			P-UB-10	2-1/2	5	CTC-3653007	160.56
COUPLER							
		HXB1-UP; LBE1-UP; NBA1-UP					
			I-U-10	1	2	CTC-1809872	161.75
LOADER BUCKET MP							
		HXB1-UP; NBA1-UP					
			I-U-10	1-1/2	3	CTC-2309357	76.03

REPLACEMENT KITS FOR CATERPILLAR® EQUIPMENT

Backhoe Loaders							
APPLICATION	CYL #	Misc-Parts, Instructions, etc.	CODE	ROD	BORE	KIT #	List \$
MODEL 444E							
LOADER BUCKET MP							
	LBE1-UP						
			P-UB-10	1-1/2	3	CTC-2350354	47.14
STABILIZER							
	HXB1-UP; LBE1-UP						
			P-UB-10	1-3/4	2-3/4	CTC-2342595	190.69
STEERING							
	HXB1-UP; LBE1-UP; NBA1-UP						
			I-U-10	42 mm	85 mm	CTC-2807013	172.07
MODEL 444F							
COUPLER							
	FBN1-UP; LJJ1-UP						
			I-U-10	1	2	CTC-1809872	161.75
	LJJ1-UP						
			I-U-15	3/4	1-1/4	CTC-3611131	56.90
LOADER BUCKET MP							
	FBN1-UP; LJJ1-UP						
			I-U-10	1-1/2	3	CTC-2309357	76.03
MODEL 446							
BACKHOE BOOM							
	5BL1-UP; 6XF1-UP						
	1118211		P-UB-10	2-5/8	5-1/4	CTC-2350970	146.58
	9T6385		P-UB-10	2-5/8	5-1/4	CTC-2350970	146.58
BACKHOE BUCKET							
	9T6305	PTFE piston seal	I-UB-10	2-3/4	3-3/4	CTC-1945603	119.95
	5BL1-UP; 6XF1-UP						
	1118217		I-UB-10	2-3/4	3-3/4	CTC-1939270	139.64
	1628063		I-UB-10	2-3/4	3-3/4	CTC-1939270	139.64
	9T6305	Nylon piston seal	I-UB-10	2-3/4	3-3/4	CTC-1939270	139.64
BACKHOE EXT BUCKET							
	1144828	PTFE piston seal	I-UB-10	2-3/4	3-3/4	CTC-1945603	119.95
BACKHOE EXT STICK							
	5BL1-UP; 6XF1-UP						
	1144828	Nylon piston seal	I-UB-10	2-3/4	3-3/4	CTC-1939270	139.64
	1239707		P-UB-10	1-3/4	3	CTC-2275350	45.88
	6E5383		P-UB-10	1-3/4	3	CTC-2275350	45.88
	9T2107		P-UB-10	1-3/4	3	CTC-2275350	45.88
	9T4760		I-UB-10	2-3/4	3-3/4	CTC-1939270	139.64
BACKHOE STICK							
	1118213		P-UB-10	3	5-1/4	CTC-3E3293	243.78
	6E3062		P-UB-10	3	5-1/4	CTC-3E3293	243.78
	6E3314		P-UB-10	3	5-1/4	CTC-3E3293	243.78
	9T9186		P-UB-10	3	5-1/4	CTC-3E3293	243.78
	5BL1-UP; 6XF1-UP						
			P-UB-10	3	5-1/4	CTC-2281776	148.68
BACKHOE SWING							
	5BL1-UP						
	1121765		P-UB-10	2	4	CTC-2409538	94.69
	1699531		P-UB-10	2	4	CTC-2409538	94.69
	6E5219		P-UB-10	2	4	CTC-2409538	94.69
	6XF1-UP						
	9T1230		P-UB-10	2-1/8	4	CTC-2465929	59.30
	9T1701	PTFE piston seal	P-UB-10	2-1/8	4	CTC-2465929	59.30
BACKHOE SWING LH							
	9T1701	Nylon piston seal	P-UB-10	2-1/8	4	CTC-2465931	205.10

CATERPILLAR®

REPLACEMENT KITS FOR CATERPILLAR® EQUIPMENT

Backhoe Loaders							
APPLICATION	CYL #	Misc-Parts, Instructions, etc.	CODE	ROD	BORE	KIT #	List \$
MODEL 446							
BACKHOE SWING RH							
	9T1230	Nylon piston seal	P-UB-10	2-1/8	4	CTC-2465931	205.10
LOADER BUCKET MP							
5BL1-UP							
	6Q2195		I,P-U-15	1-1/2	3-1/2	CTC-6Q2203	78.77
5BL2500-UP							
			P-UB-10	1-3/4	3-1/2	CTC-2401881	98.74
			I-U-10	40 mm	3-1/2	CTC-2711529	34.20
LOADER LIFT							
5BL1-499; 6XF1-UP							
	9T2997		P-UB-10	2	3-3/4	CTC-2409518	210.41
5BL500-UP							
	1117712		P-UB-10	2-1/4	3-3/4	CTC-2350969	228.34
	1257895		P-UB-10	2-1/4	3-3/4	CTC-2350969	228.34
LOADER TILT							
	1007844	Nylon piston seal	P-UB-10	2	4	CTC-2409538	94.69
	9T2995	Nylon piston seal	P-UB-10	2	4	CTC-2409538	94.69
5BL1-UP; 6XF1-UP							
	1007844	PTFE piston seal	P-UB-10	2	4	CTC-2339205	59.01
	9T2995	PTFE piston seal	P-UB-10	2	4	CTC-2339205	59.01
STABILIZER							
	9T2993	Nylon piston seal	P-UB-10	2-1/8	4	CTC-2465931	205.10
	9T2994	Nylon piston seal	P-UB-10	2-1/8	4	CTC-2465931	205.10
5BL1-2933; 6XF1-UP							
	1329700		P-UB-10	2-1/8	4	CTC-2465929	59.30
	1329701		P-UB-10	2-1/8	4	CTC-2465929	59.30
	9T2993	PTFE piston seal	P-UB-10	2-1/8	4	CTC-2465929	59.30
	9T2994	PTFE piston seal	P-UB-10	2-1/8	4	CTC-2465929	59.30
5BL2934-UP							
			P-UB-10	2-1/2	4	CTC-2341949	67.52
STABILIZER LH							
	1329701		P-UB-10	2-1/8	4	CTC-1305923	187.39
	9T2994	PTFE piston seal	P-UB-10	2-1/8	4	CTC-2465929	59.30
STABILIZER RH							
	1329700		P-UB-10	2-1/8	4	CTC-1305923	187.39
	9T2993	PTFE piston seal	P-UB-10	2-1/8	4	CTC-2465929	59.30
STEERING							
5BL1-UP; 6XF1-UP							
	9T1834		P-UB-10	2-1/8	3-1/4	CTC-9X2031	299.47
MODEL 446B							
BACKHOE BOOM							
5BL1-UP; 6XF1-UP							
	1118211		P-UB-10	2-5/8	5-1/4	CTC-2350970	146.58
	9T6385		P-UB-10	2-5/8	5-1/4	CTC-2350970	146.58
BACKHOE BUCKET							
	1118217	PTFE piston seal	I-UB-10	2-3/4	3-3/4	CTC-1945603	119.95
	9T6305	PTFE piston seal	I-UB-10	2-3/4	3-3/4	CTC-1945603	119.95
5BL1-UP; 6XF1-UP							
	1118217	Nylon piston seal	I-UB-10	2-3/4	3-3/4	CTC-1939270	139.64
	1628063	Nylon piston seal	I-UB-10	2-3/4	3-3/4	CTC-1939270	139.64
	9T6305	Nylon piston seal	I-UB-10	2-3/4	3-3/4	CTC-1939270	139.64
BACKHOE EXT BUCKET							
	1144828	PTFE piston seal	I-UB-10	2-3/4	3-3/4	CTC-1945603	119.95
	9T4760	PTFE piston seal	I-UB-10	2-3/4	3-3/4	CTC-1945603	119.95

REPLACEMENT KITS FOR CATERPILLAR® EQUIPMENT

Backhoe Loaders							
APPLICATION	CYL #	Misc-Parts, Instructions, etc.	CODE	ROD	BORE	KIT #	List \$
MODEL 446B							
BACKHOE EXT STICK							
5BL1-UP; 6XF1-UP							
1144828		Nylon piston seal	I-UB-10	2-3/4	3-3/4	CTC-1939270	139.64
1239707			P-UB-10	1-3/4	3	CTC-2275350	45.88
6E5383			P-UB-10	1-3/4	3	CTC-2275350	45.88
9T2107			P-UB-10	1-3/4	3	CTC-2275350	45.88
9T4760			I-UB-10	2-3/4	3-3/4	CTC-1939270	139.64
BACKHOE STICK							
1118213			P-UB-10	3	5-1/4	CTC-3E3293	243.78
1239707			P-UB-10	1-3/4	3	CTC-7X2825	73.65
6E3062			P-UB-10	3	5-1/4	CTC-3E3293	243.78
6E3314			P-UB-10	3	5-1/4	CTC-3E3293	243.78
9T9186			P-UB-10	3	5-1/4	CTC-3E3293	243.78
5BL1-UP; 6XF1-UP							
			P-UB-10	3	5-1/4	CTC-2281776	148.68
BACKHOE SWING							
5BL1-UP							
1121765			P-UB-10	2	4	CTC-2409538	94.69
1699531			P-UB-10	2	4	CTC-2409538	94.69
6E5219			P-UB-10	2	4	CTC-2409538	94.69
6XF1-UP							
9T1230		PTFE piston seal	P-UB-10	2-1/8	4	CTC-2465929	59.30
9T1701		PTFE piston seal	P-UB-10	2-1/8	4	CTC-2465929	59.30
BACKHOE SWING LH							
9T1701		Nylon piston seal	P-UB-10	2-1/8	4	CTC-2465931	205.10
BACKHOE SWING RH							
9T1230		Nylon piston seal	P-UB-10	2-1/8	4	CTC-2465931	205.10
LOADER BUCKET MP							
5BL1-UP							
6Q2195			I,P-U-15	1-1/2	3-1/2	CTC-6Q2203	78.77
5BL2500-UP							
			P-UB-10	1-3/4	3-1/2	CTC-2401881	98.74
			I-U-10	40 mm	3-1/2	CTC-2711529	34.20
LOADER LIFT							
5BL1-499; 6XF1-UP							
9T2997			P-UB-10	2	3-3/4	CTC-2409518	210.41
5BL500-UP							
1117712			P-UB-10	2-1/4	3-3/4	CTC-2350969	228.34
1257895			P-UB-10	2-1/4	3-3/4	CTC-2350969	228.34
LOADER TILT							
1007844		Nylon piston seal	P-UB-10	2	4	CTC-2409538	94.69
5BL1-UP; 6XF1-UP							
1007844			P-UB-10	2	4	CTC-2339205	59.01
9T2995			P-UB-10	2	4	CTC-2339205	59.01
SIDESHIFT							
1121765			P-UB-10	2	4	CTC-1113302	163.17
STABILIZER LH							
5BL1-2933; 6XF1-UP							
1329700			P-UB-10	2-1/8	4	CTC-2465929	59.30
1329701			P-UB-10	2-1/8	4	CTC-2465929	59.30
9T2993			P-UB-10	2-1/8	4	CTC-2465929	59.30
9T2994			P-UB-10	2-1/8	4	CTC-2465929	59.30
5BL2934-UP							
			P-UB-10	2-1/2	4	CTC-2341949	67.52

CATERPILLAR®

REPLACEMENT KITS FOR CATERPILLAR® EQUIPMENT

Backhoe Loaders							
APPLICATION	CYL #	Misc-Parts, Instructions, etc.	CODE	ROD	BORE	KIT #	List \$
MODEL 446B							
STEERING							
	5BL1-UP; 6XF1-UP						
	9T1834		P-UB-10	2-1/8	3-1/4	CTC-9X2031	299.47
MODEL 446D							
BACKHOE BOOM							
	DBL1-UP						
	1118211		P-UB-10	2-5/8	5-1/4	CTC-2350970	146.58
BACKHOE BUCKET							
	DBL1-UP						
	2406029		I-UB-10	2-3/4	3-3/4	CTC-2315021	101.67
	2406030		I-UB-10	2-3/4	3-3/4	CTC-2315021	101.67
BACKHOE EXT STICK							
	DBL1-UP						
	2424278		P-UB-10	1-3/4	3	CTC-2342594	54.02
BACKHOE STICK							
	DBL1-UP						
	1118213		P-UB-10	3	5-1/4	CTC-2281776	148.68
BACKHOE SWING							
	DBL1-426						
	1699531		P-UB-10	2	4	CTC-2409538	94.69
	DBL427-UP						
	2514296		P-UB-10	50 mm	100 mm	CTC-2332622	85.34
LOADER BUCKET MP							
	DBL1-UP						
	2265540		I-U-10	1-1/2	3	CTC-2309357	76.03
	2429893		P-UB-10	1-3/4	3-1/2	CTC-2401881	98.74
	2681322		I-U-10	40 mm	3-1/2	CTC-2711529	34.20
	6Q2195		I,P-U-15	1-1/2	3-1/2	CTC-6Q2203	78.77
LOADER LIFT							
	DBL1-UP						
	1257895		P-UB-10	2-1/4	3-3/4	CTC-2350969	228.34
LOADER TILT							
	DBL1-UP						
	1007844		P-UB-10	2	4	CTC-2339205	59.01
STABILIZER							
	DBL1-UP						
	1978079		P-UB-10	2-1/2	4	CTC-2341949	67.52
	1978083		P-UB-10	2-1/2	4	CTC-2341949	67.52
STEERING							
	DBL1-UP						
			P-UB-10	2-1/8	3-1/4	CTC-9X2031	299.47
	9T1834		P-UB-10	2-1/8	3-1/4	CTC-9T1834K	301.65
MODEL 450E							
BACKHOE BOOM							
	EBL1-; RBA1-						
	2707285		P-UB-10	70 mm	140 mm	CTC-2707285K	224.49
BACKHOE BUCKET							
	EBL1-; RBA1-						
	2707287		P-UB-10	75 mm	100 mm	CTC-3260496	273.29
BACKHOE EXT STICK							
	EBL1-; RBA1-						
	2707288		P-UB-10	45 mm	75 mm	CTC-2707288K	181.28
BACKHOE STICK							
	EBL1-; RBA1-						
	2707286		P-UB-10	80 mm	140 mm	CTC-2707286K	255.25

REPLACEMENT KITS FOR CATERPILLAR® EQUIPMENT

Backhoe Loaders							
APPLICATION	CYL #	Misc-Parts, Instructions, etc.	CODE	ROD	BORE	KIT #	List \$
MODEL 450E							
BACKHOE SWING							
EBL1-431							
	2868903		P-UB-10	50 mm	100 mm	CTC-2332622	85.34
EBL432-; LYR1-; RBA1-							
	2974896		P-UB-10	50 mm	100 mm	CTC-2974896K	115.44
LOADER BUCKET MP							
EBL1-; LYR1-							
	2265540		I-U-10	1-1/2	3	CTC-2309357	76.03
LOADER LIFT							
EBL1-; RBA1-							
	1257895		P-UB-10	2-1/4	3-3/4	CTC-2350969	228.34
LOADER TILT							
EBL1-; RBA1-							
	1007844		P-UB-10	2	4	CTC-2339205	59.01
STABILIZER LH							
EBL1-; RBA1-							
	2707290		P-UB-10	65 mm	115 mm	CTC-3247165	231.08
STABILIZER RH							
EBL1-; RBA1-							
	2707291		P-UB-10	65 mm	115 mm	CTC-3247165	231.08
STEERING							
EBL1-; LYR1-; RBA1-							
	2385285		I-U-10	42 mm	85 mm	CTC-2807013	172.07
THUMB							
EBL1-; LYR1-							
	2754243		I-U-10	50 mm	70 mm	CTC-2764172	64.44
MODEL 450F							
BOOM							
HJR1-UP							
	3750723		P-UB-10	70 mm	140 mm	CTC-4414074	154.73
	3750723		Bushing	70 mm		CTC-2331015	37.46
BUCKET							
HJR1-UP							
	3750719		P-UB-10	75 mm	100 mm	CTC-4412553	111.08
	3750719		Bushing	75 mm		CTC-4412543	39.31
BUCKET MP							
HJR1-UP							
	2265540		I-U-10	1-1/2	3	CTC-2309357	76.03
LIFT							
HJR1-UP							
	3750717		P-UB-10	55 mm	95 mm	CTC-4410267	96.04
	3750717		Bushing	55 mm		CTC-2332614	23.29
LOADER BUCKET MP							
			I-U-10	1-1/2	3	CTC-2309357	76.03
STABILIZER LH							
HJR1-UP							
	3750721		P-UB-10	65 mm	115 mm	CTC-4413157	151.08
STABILIZER RH							
HJR1-UP							
	3750722		P-UB-10	65 mm	115 mm	CTC-4413157	151.08
STEERING							
			I-U-10	42 mm	85 mm	CTC-2807013	172.07
HJR1-UP							
	2385285		I-U-10	42 mm	85 mm	CTC-2807013	172.07

CATERPILLAR®

REPLACEMENT KITS FOR CATERPILLAR® EQUIPMENT

Backhoe Loaders							
APPLICATION	CYL #	Misc-Parts, Instructions, etc.	CODE	ROD	BORE	KIT #	List \$
MODEL 450F							
STICK							
HJR1-UP							
	3750718		P-UB-10	80 mm	140 mm	CTC-4411138	150.66
	3750718		Bushing	80 mm		CTC-4411130	43.12
	3750720		P-UB-10	45 mm	75 mm	CTC-4413084	98.44
	3750720		Bushing	45 mm		CTC-4373535	16.25
SWING							
HJR1-UP							
	2974896		P-UB-10	50 mm	100 mm	CTC-4499718	115.44
	2974896		Bushing	50 mm		CTC-2332613	19.72
THUMB							
			I-U-10	50 mm	70 mm	CTC-2764172	64.44
HJR1-UP							
	2754243		I-U-10	50 mm	70 mm	CTC-2764172	64.44
TILT							
HJR1-UP							
	3750716		P-UB-10	50 mm	100 mm	CTC-4406082	101.51
	3750716		Bushing	50 mm		CTC-2332613	19.72
Crawler Dozers							
APPLICATION	CYL #	Misc-Parts, Instructions, etc.	CODE	ROD	BORE	KIT #	List \$
MODEL 3P							
TILT							
	9J8674		P-UB-10	1-1/2	3-1/2	CTC-7X2752	130.85
MODEL 3S							
TILT							
	8J6893		P-UB-10	2	4	CTC-7X2789	139.93
	9J8674		P-UB-10	1-1/2	3-1/2	CTC-7X2752	130.85
MODEL 4S							
DOZER TILT							
	5J1603		P-V-10	2	4-3/4	CTC-7X2677	160.54
MODEL 5A							
LIFT							
	7J8299		P-UB-10	2-1/2	4	CTC-7X2659	170.54
MODEL 5S							
LIFT							
	7J8302		P-UB-10	2-1/2	4	CTC-7X2659	170.54
TILT							
	2J1402		P-UB-10	3	6-1/2	CTC-7X2694	217.89
MODEL 6							
LIFT							
	7J7974		P-UB-10	1-1/2	4	CTC-7X2738	119.97
RIPPER							
	2K3663		P-UB-10	2-1/2	7-1/4	CTC-7X2661	220.25
MODEL 6S							
TILT							
	2J1402		P-UB-10	3	6-1/2	CTC-7X2694	217.89
MODEL 7A							
TILT							
	5J7929		P-UB-10	2-1/2	6	CTC-7X2692	225.32
MODEL 7S, 7U							
DOZER TILT							
	3G4533		P-UB-10	3	6-1/2	CTC-1126550	243.09
	3J9694		P-U-10	3-1/2	8-1/4	CTC-7X2720	247.80
	6J9752		P-UB-10	3	6-1/2	CTC-1126550	243.09
	9J8748		P-UB-10	3	6-1/2	CTC-1126550	243.09

REPLACEMENT KITS FOR CATERPILLAR® EQUIPMENT

Crawler Dozers							
APPLICATION	CYL #	Misc-Parts, Instructions, etc.	CODE	ROD	BORE	KIT #	List \$
MODEL 7SU							
DOZER TILT							
	3G4533		P-UB-10	3	6-1/2	CTC-1126550	243.09
MODEL 8A							
DOZER LIFT							
	9J8802		P-UB-10	3-1/2	7-1/2	CTC-7X2722	254.78
MODEL 8B							
PIN PULLER							
	4J5057		P-V-10	1-1/4	4	CTC-8T1480	113.47
MODEL 8D							
RIPPER PIN PULLER							
	8J2071		P-UB-10	1-1/2	4	CTC-7X2738	119.97
MODEL 8R							
TILT							
	7J0192		P-UB-10	3-1/2	8-1/4	CTC-7X2721	360.04
MODEL 8S							
DOZER TILT							
	2J3894		P-U-10	3-1/2	8-1/4	CTC-7X2720	247.80
	3G5707		P-UB-10	3-1/2	8-1/4	CTC-7X2721	360.04
LIFT LH							
	5J9378		P-UB-10	2-1/2	5	CTC-7X2675	170.44
LIFT RH							
	5J9708		P-UB-10	2-1/2	5	CTC-7X2675	170.44
TILT							
	6J2472		P-UB-10	3-1/2	8-1/4	CTC-7X2728	239.96
	7J0192		P-UB-10	3-1/2	8-1/4	CTC-7X2721	360.04
	8J8682		P-UB-10	3-1/2	8-1/4	CTC-7X2721	360.04
MODEL 8U							
	6J2472		P-UB-10	3-1/2	8-1/4	CTC-7X2728	239.96
DOZER TILT							
	2J3894		P-U-10	3-1/2	8-1/4	CTC-7X2720	247.80
	3G5707		P-UB-10	3-1/2	8-1/4	CTC-7X2721	360.04
TILT							
	7J0192		P-UB-10	3-1/2	8-1/4	CTC-7X2721	360.04
	8J8682		P-UB-10	3-1/2	8-1/4	CTC-7X2721	360.04
MODEL 9B							
PIN PULLER							
	4J5057		P-V-10	1-1/4	4	CTC-8T1480	113.47
MODEL 9R							
TILT							
	6J1570		P-UB-10	3-1/2	8-1/4	CTC-7X2721	360.04
MODEL 9S, 9U							
DOZER TILT							
	2J6705		P-U-10	3-1/2	8-1/4	CTC-7X2720	247.80
	3G8661		P-UB-10	4	9-1/4	CTC-7X2799	389.51
TILT							
	6J1570		P-UB-10	3-1/2	8-1/4	CTC-7X2721	360.04
MODEL D3G							
ANGLING							
	BYR1-1323; CFC1-UP; CFF1-UP; JMH1-2051						
	2167388		P-UB-10	1-1/2	2-3/4	CTC-2833454	59.43
	BYR1324-UP; JMH2052-UP						
	2590459		P-UB-10	1-1/2	2-3/4	CTC-2833454	59.43
DOZER LIFT							
	JMH1-UP; BYR1-UP; CFC1-UP; CFF1-UP						
	1833721		P-UB-10	1-1/2	3-1/2	CTC-2465917	95.84

CATERPILLAR®

REPLACEMENT KITS FOR CATERPILLAR® EQUIPMENT

Crawler Dozers							
APPLICATION	CYL #	Misc-Parts, Instructions, etc.	CODE	ROD	BORE	KIT #	List \$
MODEL D3G							
RIPPER-LH							
BYR1-UP; CFC1-UP; CFF1-UP; JMH1-UP							
1920893		P-UB-10	1-1/2	3	CTC-2465913	83.61	
RIPPER-RH							
BYR1-UP; CFC1-UP; CFF1-UP; JMH1-UP							
1920891		P-UB-10	1-1/2	3	CTC-2465913	83.61	
TILT							
JMH1-UP; BYR1-UP; CFC1-UP; CFF1-UP							
1838459		P-UB-10	1-1/2	3-1/2	CTC-2465917	95.84	
MODEL D3K XL & LGP							
ANGLING							
LLL1-UP; FFF1-UP							
2633745		P-UB-10	1-1/2	3	CTC-3809484	56.90	
DOZER LIFT LH							
JTD1-UP; LLL1-UP; FFF1-UP							
2764667		P-UB-10	1-1/2	3-1/2	CTC-3933608	89.09	
DOZER LIFT RH							
JTD1-UP; LLL1-UP; FFF1-UP							
2634068		P-UB-10	1-1/2	3-1/2	CTC-3933608	89.09	
RIPPER LH							
JTD1-UP; LLL1-UP; FFF1-UP							
2624418		P-UB-10	1-1/2	3	CTC-3809484	56.90	
RIPPER RH							
JTD1-UP; LLL1-UP; FFF1-UP							
2624415		P-UB-10	1-1/2	3	CTC-3809484	56.90	
TILT							
JTD1-UP							
3169205		P-UB-10	1-1/2	3	CTC-3809484	56.90	
JTD1-UP; LLL1-UP; FFF1-UP							
2635008		P-UB-10	1-1/2	3-1/2	CTC-3933608	89.09	
MODEL D3K2 LGP							
ANGLING							
KLL1-UP							
3649335		P-UB-10	1-1/2	3	CTC-4488804	56.90	
DOZER LIFT							
GAE1-UP; KLL1-UP							
3649326		P-UB-10	1-1/2	3-1/2	CTC-3933608	89.09	
RIPPER LH							
GAE1-UP; KLL1-UP							
2624418		P-UB-10	1-1/2	3	CTC-3809484	56.90	
RIPPER RH							
GAE1-UP; KLL1-UP							
2624415		P-UB-10	1-1/2	3	CTC-3809484	56.90	
TILT							
GAE1-UP							
3649344	Angle	P-UB-10	1-1/2	3	CTC-SK100112	52.17	
GAE1-UP; KLL1-UP							
3516695	Power Pitch	P-UB-10	1-3/4	3	CTC-3597243	103.33	
3649346		P-UB-10	1-1/2	3-1/2	CTC-3933608	89.09	
TRACK ADJUSTER							
GAE1-UP; KLL1-UP							
2540664		TRK ADJ			CTC-SK100111	42.41	
MODEL D3K2 XL							
ANGLING							
KFF1-UP							
3649335		P-UB-10	1-1/2	3	CTC-4488804	56.90	

REPLACEMENT KITS FOR CATERPILLAR® EQUIPMENT

Crawler Dozers							
APPLICATION	CYL #	Misc-Parts, Instructions, etc.	CODE	ROD	BORE	KIT #	List \$
MODEL D3K2 XL							
DOZER LIFT							
KFF1-UP							
	3649326		P-UB-10	1-1/2	3-1/2	CTC-3933608	89.09
RIPPER LH							
KFF1-UP							
	2624418		P-UB-10	1-1/2	3	CTC-3809484	56.90
RIPPER RH							
KFF1-UP							
	2624415		P-UB-10	1-1/2	3	CTC-3809484	56.90
TILT							
KFF1-UP							
	3516695	Power Pitch	P-UB-10	1-3/4	3	CTC-3597243	103.33
	3649346		P-UB-10	1-1/2	3-1/2	CTC-3933608	89.09
TRACK ADJUSTER							
KFF1-UP							
	2540664		TRK ADJ			CTC-SK100111	42.41
MODEL D4B							
ANGLING							
	9J8698		P-UB-10	1-1/2	3-1/2	CTC-7X2752	130.85
BACKHOE BOOM/BUCKET							
	3G5767		P-UB-10	2-1/4	4-1/2	CTC-1326770	198.07
	3G5905		P-UB-10	2-1/4	3-1/2	CTC-1358166	222.91
BACKHOE STICK/BLADE SHIFT							
	3G5771		P-UB-10	2	4	CTC-1328816	127.22
LIFT							
	7J9223		P-UB-10	1-1/2	3-1/2	CTC-1327058	142.49
	9T6652		P-UB-10	1-1/2	3-1/2	CTC-1327058	142.49
RIPPER							
	7J9920		P-UB-10	2	4	CTC-1328816	127.22
STABILIZER							
	3G6792		P-UB-10	1-1/2	3-1/2	CTC-7X2752	130.85
STABILIZER LH							
	1U2656		P-UB-10	2	4	CTC-1328816	127.22
STABILIZER RH							
	1U2655		P-UB-10	2	4	CTC-1328816	127.22
TILT							
	9J8674		P-UB-10	1-1/2	3-1/2	CTC-1327058	142.49
TRACK ADJUSTER							
			TRK ADJ			CTC-FIG4405	30.69
MODEL D4G							
ANGLING							
CFN1-UP; FDC1-UP; HYD1-UP; TLX1-UP							
	2167388		P-UB-10	1-1/2	2-3/4	CTC-2833454	59.43
HYD1719-UP; TLX859-UP							
	2590459		P-UB-10	1-1/2	2-3/4	CTC-2833454	59.43
DOZER LIFT							
CFN1-UP; FDC1-UP; HYD1-UP; TLX1-UP							
	1833721		P-UB-10	1-1/2	3-1/2	CTC-2465917	95.84
RIPPER-LH							
CFN1-UP; FDC1-UP; HYD1-UP; TLX1-UP							
	1920893		P-UB-10	1-1/2	3	CTC-2465913	83.61
RIPPER-RH							
CFN1-UP; FDC1-UP; HYD1-UP; TLX1-UP							
	1920891		P-UB-10	1-1/2	3	CTC-2465913	83.61

CATERPILLAR®

REPLACEMENT KITS FOR CATERPILLAR® EQUIPMENT

Crawler Dozers							
APPLICATION	CYL #	Misc-Parts, Instructions, etc.	CODE	ROD	BORE	KIT #	List \$
MODEL D4G							
TILT							
		CFN1-UP; FDC1-UP; HYD1-UP; TLX1-UP					
	1838459		P-UB-10	1-1/2	3-1/2	CTC-2465917	95.84
MODEL D4K XL & LGP							
ANGLING							
		MMM1-UP; RRR1-UP					
	2633745		P-UB-10	1-1/2	3	CTC-3809484	56.90
DOZER LIFT LH							
		MMM1-UP; RRR1-UP					
	2764667		P-UB-10	1-1/2	3-1/2	CTC-3933608	89.09
DOZER LIFT RH							
		MMM1-UP; RRR1-UP					
	2634068		P-UB-10	1-1/2	3-1/2	CTC-3933608	89.09
RIPPER LH							
		MMM1-UP; RRR1-UP					
	2624418		P-UB-10	1-1/2	3	CTC-3809484	56.90
RIPPER RH							
		MMM1-UP; RRR1-UP					
	2624415		P-UB-10	1-1/2	3	CTC-3809484	56.90
TILT							
		MMM1-UP; RRR1-UP					
	2635008		P-UB-10	1-1/2	3-1/2	CTC-3933608	89.09
MODEL D4K2 LGP							
ANGLING							
		KRR1-UP					
	3649335		P-UB-10	1-1/2	3	CTC-4488804	56.90
DOZER LIFT							
		KRR1-UP					
	3649326		P-UB-10	1-1/2	3-1/2	CTC-3933608	89.09
RIPPER LH							
		KRR1-UP					
	2624418		P-UB-10	1-1/2	3	CTC-3809484	56.90
RIPPER RH							
		KRR1-UP					
	2624415		P-UB-10	1-1/2	3	CTC-3809484	56.90
TILT							
		KRR1-UP					
	3516695	Power Pitch	P-UB-10	1-3/4	3	CTC-3597243	103.33
	3649346		P-UB-10	1-1/2	3-1/2	CTC-3933608	89.09
TRACK ADJUSTER							
		KRR1-UP					
	2540664		TRK ADJ			CTC-SK100111	42.41
MODEL D4K2 XL							
ANGLING							
		KMM1-UP					
	3649335		P-UB-10	1-1/2	3	CTC-4488804	56.90
DOZER LIFT							
		KMM1-UP					
	3649326		P-UB-10	1-1/2	3-1/2	CTC-3933608	89.09
RIPPER LH							
		KMM1-UP					
	2624418		P-UB-10	1-1/2	3	CTC-3809484	56.90
RIPPER RH							
		KMM1-UP					
	2624415		P-UB-10	1-1/2	3	CTC-3809484	56.90

REPLACEMENT KITS FOR CATERPILLAR® EQUIPMENT

Crawler Dozers							
APPLICATION	CYL #	Misc-Parts, Instructions, etc.	CODE	ROD	BORE	KIT #	List \$
MODEL D4K2 XL							
TILT							
KMM1-UP							
	3516695	Power Pitch	P-UB-10	1-3/4	3	CTC-3597243	103.33
	3649346		P-UB-10	1-1/2	3-1/2	CTC-3933608	89.09
TRACK ADJUSTER							
KMM1-UP							
	2540664		TRK ADJ			CTC-SK100111	42.41
MODEL D4L							
DOZER LIFT							
	3G9226		P-UB-10	2	4-1/4	CTC-7X2819	144.19
MODEL D4TSKH							
ANGLING							
	1006174		P-UB-10	1-3/4	3-1/2	CTC-7X2784	77.28
	9T9247		P-UB-10	1-3/4	3-1/2	CTC-7X2784	77.28
LIFT							
	6E0365		P-UB-10	2	4-1/4	CTC-7X2819	144.19
	6E0366		P-UB-10	2-1/2	4-3/4	CTC-1328811	209.77
TILT							
	9T9557		P-UB-10	2	4-1/4	CTC-1378662	176.06
MODEL D5E							
LIFT							
	8J6868		P-UB-10	2-1/2	4	CTC-7X2659	170.54
RIPPER							
	8J1779		P-UB-10	2-1/2	7-1/4	CTC-1542502	251.57
TRACK ADJUSTER							
			TRK ADJ			CTC-FIG4400	65.89
MODEL D5G							
ANGLING							
FDH1141-UP; FDW651-UP; RKG1-2121; WGB1-2700							
	2167388		P-UB-10	1-1/2	2-3/4	CTC-2833454	59.43
FDH1-UP; FDW1-UP							
	2011056		P-UB-10	1-1/2	2-3/4	CTC-2011056K	59.43
RKG2122-UP; WGB2701-UP							
	2590459		P-UB-10	1-1/2	2-3/4	CTC-2833454	59.43
DOZER LIFT							
FDH1-UP; FDW1-UP; RKG1-UP; WGB1-UP							
	1833721		P-UB-10	1-1/2	3-1/2	CTC-2465917	95.84
RIPPER-LH							
FDH1-UP; FDW1-UP; RKG1-UP; WGB1-UP							
	1920893		P-UB-10	1-1/2	3	CTC-2465913	83.61
RIPPER-RH							
FDH1-UP; FDW1-UP; RKG1-UP; WGB1-UP							
	1920891		P-UB-10	1-1/2	3	CTC-2465913	83.61
TILT							
FDH1-UP; FDW1-UP; RKG1-UP; WGB1-UP							
	1838459		P-UB-10	1-1/2	3-1/2	CTC-2465917	95.84
MODEL D5H							
ANGLING							
	4T1666		P-UB-10	2	4	CTC-7X2789	139.93
	9T9273		P-UB-10	2	4	CTC-1113302	163.17

CATERPILLAR®

REPLACEMENT KITS FOR CATERPILLAR® EQUIPMENT

Crawler Dozers							
APPLICATION	CYL #	Misc-Parts, Instructions, etc.	CODE	ROD	BORE	KIT #	List \$
MODEL D5H							
LIFT							
	1153524		P-UB-10	2-1/4	3-3/4	CTC-1361897	184.83
	1U1839		P-UB-10	2-1/4	3-3/4	CTC-1361897	184.83
	1U2568		P-UB-10	2	4-1/4	CTC-7X2819	144.19
	3G5909		P-UB-10	2	4	CTC-7X2789	139.93
	4T1089		P-UB-10	2-1/4	3-3/4	CTC-1361897	184.83
	4T1659		P-UB-10	2-1/4	4-1/2	CTC-1326770	198.07
	6E5400		P-UB-10	2-1/4	4-1/2	CTC-1354392	192.54
RIPPER							
	3G5909		P-UB-10	2	4	CTC-1328816	127.22
	9T2716		P-UB-10	2-1/2	5	CTC-7X2658	230.88
TILT							
	1153523		P-UB-10	3	6-1/2	CTC-3933607	159.43
	1U3991		P-UB-10	3	6-1/2	CTC-1126550	243.09
	1U3991		P-UB-10	3	6-1/2	CTC-8T1408	110.76
	4T1625		P-UB-10	2-1/4	4-3/4	CTC-1318778	192.17
	4T2613		P-UB-10	2-1/2	5	CTC-1315118	233.60
	4T2613		P-UB-10	2-1/2	5	CTC-7X2658	230.88
MODEL D5K XL & LGP							
ANGLING							
	WWW1-UP; YYY1-UP						
	2633745		P-UB-10	1-1/2	3	CTC-3809484	56.90
DOZER LIFT LH							
	JLF1-UP; WWW1-UP; YYY1-UP						
	2764667		P-UB-10	1-1/2	3-1/2	CTC-3933608	89.09
DOZER LIFT RH							
	JLF1-UP; WWW1-UP; YYY1-UP						
	2634068		P-UB-10	1-1/2	3-1/2	CTC-3933608	89.09
RIPPER LH							
	JLF1-UP; WWW1-UP; YYY1-UP						
	2624418		P-UB-10	1-1/2	3	CTC-3809484	56.90
RIPPER RH							
	JLF1-UP; WWW1-UP; YYY1-UP						
	2624415		P-UB-10	1-1/2	3	CTC-3809484	56.90
TILT							
	JLF1-UP						
	3169205		P-UB-10	1-1/2	3	CTC-3809484	56.90
	JLF1-UP; WWW1-UP; YYY1-UP						
	2635008		P-UB-10	1-1/2	3-1/2	CTC-3933608	89.09
MODEL D5K2 LGP							
ANGLING							
	KYY1-UP						
	3649335		P-UB-10	1-1/2	3	CTC-4488804	56.90
DOZER LIFT							
	KYY1-UP; TRF1-UP						
	3649326		P-UB-10	1-1/2	3-1/2	CTC-3933608	89.09
RIPPER LH							
	KYY1-UP; TRF1-UP						
	2624418		P-UB-10	1-1/2	3	CTC-3809484	56.90
RIPPER RH							
	KYY1-UP; TRF1-UP						
	2624415		P-UB-10	1-1/2	3	CTC-3809484	56.90
TILT							
	KYY1-UP; TRF1-UP						
	3516695	Power Pitch	P-UB-10	1-3/4	3	CTC-3597243	103.33
	3649346		P-UB-10	1-1/2	3-1/2	CTC-3933608	89.09

REPLACEMENT KITS FOR CATERPILLAR® EQUIPMENT

Crawler Dozers							
APPLICATION	CYL #	Misc-Parts, Instructions, etc.	CODE	ROD	BORE	KIT #	List \$
MODEL D5K2 LGP							
TILT							
	TRF1-UP						
	3649344	Angle	P-UB-10	1-1/2	3	CTC-SK100112	52.17
TRACK ADJUSTER							
	KYY1-UP; TRF1-UP						
	2540665		TRK ADJ			CTC-SK100111	42.41
MODEL D5K2 XL							
ANGLING							
	KWW1-UP						
	3649335		P-UB-10	1-1/2	3	CTC-4488804	56.90
DOZER LIFT							
	KWW1-UP						
	3649326		P-UB-10	1-1/2	3-1/2	CTC-3933608	89.09
RIPPER LH							
	KWW1-UP						
	2624418		P-UB-10	1-1/2	3	CTC-3809484	56.90
RIPPER RH							
	KWW1-UP						
	2624415		P-UB-10	1-1/2	3	CTC-3809484	56.90
TILT							
	KWW1-UP						
	3516695	Power Pitch	P-UB-10	1-3/4	3	CTC-3597243	103.33
	3649346		P-UB-10	1-1/2	3-1/2	CTC-3933608	89.09
TRACK ADJUSTER							
	KWW1-UP						
	2540665		TRK ADJ			CTC-SK100111	42.41
MODEL D5M							
ANGLING							
	1061286		P-UB-10	1-3/4	3-1/2	CTC-7X2784	77.28
	1378456		P-UB-10	1-3/4	3-1/2	CTC-7X2784	77.28
	1526482		P-UB-10	1-3/4	3-1/2	CTC-7X2784	77.28
LIFT							
	1059822		P-UB-10	2	4-1/4	CTC-1378662	176.06
	1607610		P-UB-10	2-1/2	4-3/4	CTC-1328811	209.77
	6E0366		P-UB-10	2-1/2	4-3/4	CTC-1328811	209.77
RIPPER							
	3G9892		P-UB-10	2	4	CTC-1328816	127.22
MODEL D5N							
ANGLING							
	AGG1-UP; AKD1-UP; CFH1-150; CKT1-292						
	1526482		P-UB-10	1-3/4	3-1/2	CTC-2401881	98.74
	AGG1-UP; AKD1-UP; CFH151-UP; CKT293-UP						
	2432058		P-UB-10	1-3/4	3-1/2	CTC-2401881	98.74
DOZER LIFT							
	AGG1-UP; AKD1-UP; CFH1-UP; CKT1-UP						
	1677551		P-UB-10	2	4-1/4	CTC-3933606	68.81
DOZER TILT							
	1600045	Includes 0.99" & 1.24" Wear ring	P-UB-10	2-1/2	4-3/4	CTC-1600045K	139.05
	1600045	CHG 00-01, 0.99" Wear ring width	P-UB-10	2-1/2	4-3/4	CTC-1864382	130.14
	1600045	CHG 06-UP, 1.24" Wear ring width	P-UB-10	2-1/2	4-3/4	CTC-1864399	115.30
RIPPER							
	AGG1-UP; AKD1-UP; CFH1-UP; CKT1-UP						
	3G9892		P-UB-10	2	4	CTC-2339205	59.01
MODEL D5TSKH							
ANGLING							
	9T9273		P-UB-10	2	4	CTC-1113302	163.17

CATERPILLAR®

REPLACEMENT KITS FOR CATERPILLAR® EQUIPMENT

Crawler Dozers							
APPLICATION	CYL #	Misc-Parts, Instructions, etc.	CODE	ROD	BORE	KIT #	List \$
MODEL D5TSKH							
LIFT							
	6E0366		P-UB-10	2-1/2	4-3/4	CTC-1328811	209.77
MODEL D6D							
BACKHOE STICK/BLADE SHIFT							
	8J5448		P-UB-10	2	4	CTC-1328816	127.22
DOZER TILT							
	1U3495		P-UB-10	2-1/2	6	CTC-7X2674	177.24
	2J1402		P-UB-10	3	6-1/2	CTC-7X2694	217.89
	7J3171		P-UB-10	2-1/2	6	CTC-7X2674	177.24
	7J3172		P-UB-10	2-1/2	6	CTC-7X2674	177.24
DOZER TILT RH							
	7J9695		P-UB-10	2-1/2	5-1/2	CTC-8T1374	128.10
LIFT							
	7J7974		P-UB-10	1-1/2	4	CTC-7X2738	119.97
	7J8302		P-UB-10	2-1/2	4	CTC-1318748	211.19
	8J6868		P-UB-10	2-1/2	4	CTC-1318748	211.19
RIPPER							
	8J1779		P-UB-10	2-1/2	7-1/4	CTC-1542502	251.57
TILT							
	1U3495		P-UB-10	2-1/2	6	CTC-7X2692	225.32
	2J1402		P-UB-10	3	6-1/2	CTC-1318733	268.15
	7J3171		P-UB-10	2-1/2	6	CTC-7X2692	225.32
	7J9695		P-UB-10	2-1/2	5-1/2	CTC-9X2050	138.10
	9T2797		P-UB-10	2-1/2	6	CTC-7X2674	177.24
TILT LH							
	6J0518		P-UB-10	2-1/2	6	CTC-7X2692	225.32
	7J3172		P-UB-10	2-1/2	6	CTC-7X2692	225.32
TILT RH							
	6J0517		P-UB-10	2-1/2	6	CTC-7X2692	225.32
TRACK ADJUSTER							
			TRK ADJ			CTC-FIG3400	82.04
MODEL D6E, D6G							
LIFT							
	8J6868		P-UB-10	2-1/2	4	CTC-1318748	211.19
RIPPER							
	1306135		P-UB-10	2-1/2	7-1/4	CTC-1542502	251.57
	8J1779		P-UB-10	2-1/2	7-1/4	CTC-1542502	251.57
TILT							
	1U3495		P-UB-10	2-1/2	6	CTC-7X2674	177.24
	1U3495		P-UB-10	2-1/2	6	CTC-7X2692	225.32
	9T2797		P-UB-10	2-1/2	6	CTC-7X2674	177.24
UNSPECIFIED APPLICATION							
	2J1402		P-UB-10	3	6-1/2	CTC-1318733	268.15
MODEL D6H							
DOZER							
	1U3989		P-UB-10	2-1/2	3-3/4	CTC-1318700	206.98
	1U3990		P-UB-10	2-1/2	3-3/4	CTC-1318700	206.98
	4Y3807		P-UB-10	2-1/2	3-3/4	CTC-1318700	206.98
	9T8952		P-UB-10	2-1/2	4	CTC-1353223	220.01
	9T8996		P-UB-10	2-1/2	4	CTC-1353223	220.01
DOZER TILT							
	9T6095		P-UB-10	2-1/2	6	CTC-7X2655	155.83
RIPPER							
	9T2716		P-UB-10	2-1/2	5	CTC-7X2658	230.88

REPLACEMENT KITS FOR CATERPILLAR® EQUIPMENT

Crawler Dozers							
APPLICATION	CYL #	Misc-Parts, Instructions, etc.	CODE	ROD	BORE	KIT #	List \$
MODEL D6H							
TILT							
	1U3991		P-UB-10	3	6-1/2	CTC-1126550	243.09
	1U3991		P-UB-10	3	6-1/2	CTC-7X2694	217.89
	1U3992		P-UB-10	2-1/2	6	CTC-7X2655	155.83
	1U3992		P-UB-10	2-1/2	6	CTC-7X2836	204.35
	3G2798		P-UB-10	2-1/2	5-1/2	CTC-3367353	124.43
	9T6095		P-UB-10	2-1/2	6	CTC-1315164	235.67
	9T8760		P-UB-10	2	4-1/4	CTC-7X2766	60.53
MODEL D6K LGP							
ANGLING							
	DHA1-UP; FBH1-UP						
	2692728		P-UB-10	45 mm	90 mm	CTC-3933609	142.19
DOZER LIFT							
	DHA1-UP; FBH1-UP						
	2692730		P-UB-10	60 mm	110 mm	CTC-3925201	145.33
DOZER TILT							
	DHA1-UP; FBH1-UP						
	2692729		P-UB-10	65 mm	120 mm	CTC-2692729K	179.86
RIPPER							
	4041-UP						
	2270842		P-UB-10	2-1/2	5	CTC-2422542	110.85
	3255723		P-UB-10	2-1/2	5	CTC-3933604	120.81
MODEL D6K XL							
ANGLING							
	DHA1-UP; FBH1-UP; HMG1-UP						
	2692728		P-UB-10	45 mm	90 mm	CTC-3933609	142.19
DOZER LIFT							
	DHA1-UP; FBH1-UP; HMG1-UP						
	2692730		P-UB-10	60 mm	110 mm	CTC-3925201	145.33
DOZER TILT							
	DHA1-UP; FBH1-UP; HMG1-UP						
	2692729		P-UB-10	65 mm	120 mm	CTC-2692729K	179.86
RIPPER							
	4041-UP						
	2270842		P-UB-10	2-1/2	5	CTC-2422542	110.85
	4041-UP; HMG1-UP						
	3255723		P-UB-10	2-1/2	5	CTC-3933604	120.81
MODEL D6K2							
ANGLING							
	MXK1-UP; RPR1-UP						
	3793504		P-UB-10	45 mm	90 mm	CTC-SK100114	144.10
DOZER LIFT							
	MXK1-UP; RPR1-UP						
	2692730		P-UB-10	60 mm	110 mm	CTC-3925201	145.33
RIPPER LIFT							
	MXK1-UP						
	3255723		P-UB-10	2-1/2	5	CTC-3933604	120.81
	MXK1-UP; RPR1-UP						
	4484913		P-UB-10	2-1/2	5	CTC-2422542	110.85
TILT							
	MXK1-UP; RPR1-UP						
	3793503		P-UB-10	60 mm	110 mm	CTC-SK100113	204.37
TRACK ADJUSTER							
	MXK1-UP; RPR1-UP						
	2398243		TRK ADJ			CTC-SK100002	36.55

REPLACEMENT KITS FOR CATERPILLAR® EQUIPMENT

Crawler Dozers							
APPLICATION	CYL #	Misc-Parts, Instructions, etc.	CODE	ROD	BORE	KIT #	List \$
MODEL D6K2 LGP							
ANGLING							
	RST1-UP						
	3793504		P-UB-10	45 mm	90 mm	CTC-SK100114	144.10
DOZER LIFT							
	RST1-UP						
	2692730		P-UB-10	60 mm	110 mm	CTC-3925201	145.33
RIPPER LIFT							
	RST1-UP						
	3255723		P-UB-10	2-1/2	5	CTC-3933604	120.81
	4484913		P-UB-10	2-1/2	5	CTC-2422542	110.85
TILT							
	RST1-UP						
	3793503		P-UB-10	60 mm	110 mm	CTC-SK100113	204.37
TRACK ADJUSTER							
	RST1-UP						
	2398243		TRK ADJ			CTC-SK100002	36.55
MODEL D6K2 XL							
ANGLING							
	WMR1-UP						
	3793504		P-UB-10	45 mm	90 mm	CTC-SK100114	144.10
DOZER LIFT							
	WMR1-UP						
	2692730		P-UB-10	60 mm	110 mm	CTC-3925201	145.33
RIPPER LIFT							
	WMR1-UP						
	3255723		P-UB-10	2-1/2	5	CTC-3933604	120.81
	4484913		P-UB-10	2-1/2	5	CTC-2422542	110.85
TILT							
	WMR1-UP						
	3793503		P-UB-10	60 mm	110 mm	CTC-SK100113	204.37
TRACK ADJUSTER							
	WMR1-UP						
	2398243		TRK ADJ			CTC-SK100002	36.55
MODEL D6M							
ANGLING							
	1103786		P-UB-10	2	4	CTC-1113302	163.17
	1526485		P-UB-10	2	4	CTC-1113302	163.17
LIFT							
	1103269		P-UB-10	2-1/4	4-1/2	CTC-1326770	198.07
	1153524		P-UB-10	2-1/4	3-3/4	CTC-1361897	184.83
RIPPER							
	3G5909		P-UB-10	2	4	CTC-1328816	127.22
	9T2716		P-UB-10	2-1/2	5	CTC-7X2658	230.88
TILT							
	1104761		P-UB-10	2-1/2	5-1/2	CTC-1570286	233.79
	1153523		P-UB-10	3	6-1/2	CTC-3933607	159.43
	1514518		P-UB-10	2-1/2	5-1/2	CTC-1570286	233.79
	1600054		P-UB-10	2-1/2	5-1/2	CTC-7X2653	222.82
UNSPECIFIED APPLICATION							
	1375107		P-UB-10	2	4	CTC-1113302	163.17
MODEL D6N							
ANGLING							
	AKM1-UP; ALH1-UP; ALR1-UP; ALY1-UP; CBF1-UP; CBJ1-UP; CBL1-UP; CCG1-UP; CCK1-UP; CCS1-UP; DJA1-UP; DJY1-UP						
	2280320		P-UB-10	2	4	CTC-2409538	94.69
	AKM1-UP; ALY1-UP; CCK1-UP; DJA1-UP; DJY1-UP; GHS1-UP; JAH1-UP; LJR1-UP; MLW1-UP						
	3217048		P-UB-10	2	4	CTC-2618566	98.75

REPLACEMENT KITS FOR CATERPILLAR® EQUIPMENT

Crawler Dozers							
APPLICATION	CYL #	Misc-Parts, Instructions, etc.	CODE	ROD	BORE	KIT #	List \$
MODEL D6N							
ANGLING							
	ALH1-UP; ALR1-UP						
	1526485		P-UB-10	2	4	CTC-2409538	94.69
DOZER LIFT							
	AKM1-1885; ALY1-2181						
	1922811		P-UB-10	2-1/4	4-1/2	CTC-2417585	101.09
	AKM1-UP; ALH1-UP; ALR1-UP; ALY1-UP; CBJ1-UP; CCK1-UP						
	1U1839		P-UB-10	2-1/4	3-3/4	CTC-2350969	228.34
	AKM1-UP; ALH1-UP; ALY1-UP; CBF1-UP; CBJ1-UP; CBL1-UP; CCG1-UP; CCK1-UP; CCS1-UP; DJA1-UP; DJY1-UP; GHS1-UP; JAH1-UP; LJR1-UP; MLW1-UP						
	1103269		P-UB-10	2-1/4	4-1/2	CTC-2417584	103.00
	DJA1-UP; DJY1-UP; GHS1-UP; JAH1-UP; LJR1-UP; MLW1-UP						
	2758416		P-UB-10	2-1/4	3-3/4	CTC-2845360	125.41
DOZER TILT							
	AKM1-UP; ALH1-UP; ALR1-UP; ALY1-UP; CBF1-UP; CBJ1-UP; CBL1-UP; CCG1-UP; CCK1-UP; CCS1-UP; DJA1-UP; DJY1-UP; JAH1-UP; LJR1-UP						
	1600054		P-UB-10	2-1/2	5-1/2	CTC-2422539	109.70
	AKM1-UP; ALH1-UP; CBF1-UP; CBJ1-UP; CBL1-UP; CCG1-UP; CCK1-UP; CCS1-UP; DJA1-UP; DJY1-UP						
	1153523		P-UB-10	3	6-1/2	CTC-3933607	159.43
	DJA1-UP; DJY1-UP; GHS1-UP; JAH1-UP; LJR1-UP; MLW1-UP						
	2339134		P-UB-10	3	6-1/2	CTC-2440980	210.12
	3284267		P-UB-10	2-1/2	5-1/2	CTC-3284267K	109.70
RIPPER LIFT							
	AKM1-UP; ALH1-UP; ALR1-UP; ALY1-UP; CBF1-UP; CBJ1-UP; CBL1-UP; CCG1-UP; CCK1-UP; CCS1-UP						
	9T2716		P-UB-10	2-1/2	5	CTC-2422542	110.85
	AKM1-UP; ALH1-UP; ALR1-UP; ALY1-UP; CBF1-UP; CBL1-UP; CCG1-UP; CCK1-UP; CCS1-UP; DJA1-UP; DJY1-UP; JAH1-UP						
	2270842		P-UB-10	2-1/2	5	CTC-2422542	110.85
	DJA1-UP; DJY1-UP; GHS1-UP; JAH1-UP; LJR1-UP; MLW1-UP						
	3255723		P-UB-10	2-1/2	5	CTC-3933604	120.81
MODEL D6R							
DOZER							
	1278931		P-UB-10	2-1/2	4	CTC-1353223	220.01
	1294258		P-UB-10	2-1/2	4	CTC-1353223	220.01
RIPPER							
	9T2716		P-UB-10	2-1/2	5	CTC-7X2658	230.88
TILT							
	1U3991		P-UB-10	3	6-1/2	CTC-1126550	243.09
	1U3991		P-UB-10	3	6-1/2	CTC-8T1408	110.76
	9T6095		P-UB-10	2-1/2	6	CTC-1315164	235.67
	9T6095		P-UB-10	2-1/2	6	CTC-7X2655	155.83
MODEL D6T							
ANGLING							
	DJG1-UP; JWD1-UP; RLW1-UP; WCG1-UP; WFH1-UP; ZEB1-UP						
	2871973		P-UB-10	2-1/4	4	CTC-2871973K	107.64
DOZER ANGLING							
	DJG1-UP; JWD1-UP; RLW1-UP; WCG1-UP; WFH1-UP; ZEB1-UP						
	2278893		P-UB-10	2-1/2	5-1/4	CTC-2341950	159.15
	GCT1-UP; JHB1-UP; KJL1-UP; LAE1-UP; LAY1-UP; PEZ1-UP; SKL1-UP; SMC1-UP						
	2270841		P-UB-10	2-1/2	6	CTC-2430388	97.78
DOZER LIFT							
	DJG1-UP; JWD1-UP; RLW1-UP; WFH1-UP; ZEB1-UP						
	2270994		P-UB-10	2-1/2	4	CTC-3652932	163.93
	GCT1-UP; JHB1-UP; LAE1-UP; LAY1-UP; LBD1-UP; LKJ1-UP; PEZ1-UP; SKL1-UP; SMC1-UP						
	2270844		P-UB-10	2-1/2	4	CTC-2292626	134.95
	JWD1-UP; RLW1-UP; WCG1-UP; ZEB1-UP						
	2330478		P-UB-10	2-1/2	4	CTC-3652932	163.93

REPLACEMENT KITS FOR CATERPILLAR® EQUIPMENT

Crawler Dozers							
APPLICATION	CYL #	Misc-Parts, Instructions, etc.	CODE	ROD	BORE	KIT #	List \$
MODEL D6T							
DOZER LIFT							
	KJL1-UP; LAE1-UP; LBD1-UP; LKJ1-UP; PEZ1-UP						
	2270843		P-UB-10	2-1/2	4	CTC-2292626	134.95
DOZER TILT							
	JHB1-UP; KJL1-UP; LAE1-UP; LAY1-UP; LBD1-UP; LKJ1-UP; PEZ1-UP; SKL1-UP; SMC1-UP						
	2339134		P-UB-10	3	6-1/2	CTC-2440980	210.12
RIPPER LIFT							
	DJG1-UP; GCT1-UP; JHB1-UP; JWD1-UP; KJL1-UP; LAE1-UP; LAY1-UP; LBD1-UP; LKJ1-UP; PEZ1-UP; RLW1-UP; SKL1-UP; SMC1-UP; WCG1-UP; WFH1-UP; ZEB1-UP						
	2270842		P-UB-10	2-1/2	5	CTC-2422542	110.85
	3255723		P-UB-10	2-1/2	5	CTC-3933604	120.81
MODEL D7 LGP							
LIFT LH							
	9J4887		P-UB-10	2-1/2	4-3/4	CTC-1014201	183.78
LIFT RH							
	9J4888		P-UB-10	2-1/2	4-3/4	CTC-1014201	183.78
MODEL D7A, D7B, D7C, D7D, D7E							
DOZER LIFT							
	3R6781		P-UB-10	2-1/2	4-3/4	CTC-7X2660	246.36
DOZER LIFT LH							
	1U2133		P-UB-10	2-1/2	4-3/4	CTC-7X2660	246.36
	1U2136		P-UB-10	2-1/2	4-3/4	CTC-7X2660	246.36
DOZER LIFT RH							
	1U2134		P-UB-10	2-1/2	4-3/4	CTC-7X2660	246.36
	1U2135		P-UB-10	2-1/2	4-3/4	CTC-7X2660	246.36
DOZER TILT							
	2J6783		P-U-10	3-1/2	8-1/4	CTC-7X2720	247.80
	3J9694		P-U-10	3-1/2	8-1/4	CTC-7X2720	247.80
	3R6770		P-U-10	3-1/2	8-1/4	CTC-7X2720	247.80
	9J8748		P-UB-10	3	6-1/2	CTC-7X2694	217.89
LIFT							
	3J3271		P-UB-10	2-1/2	6	CTC-7X2679	189.51
	4J6177		P-UB-10	2-1/2	4-3/4	CTC-1014201	183.78
	4J6177		P-UB-10	2-1/2	4-3/4	CTC-7X2660	246.36
RIPPER							
	3J6439		P-UB-10	2-1/2	6	CTC-7X2679	189.51
RIPPER LIFT							
	3R6724	D7E only	P-UB-10	2-1/2	6	CTC-7X2679	189.51
	4T9290		P-UB-10	2-1/2	6	CTC-7X2655	155.83
TILT							
	5J7929		P-UB-10	2-1/2	6	CTC-7X2692	225.32
	6J9752		P-UB-10	3	6-1/2	CTC-1126550	243.09
TRACK ADJUSTER							
		D7C, D7D only	TRK ADJ			CTC-FIG3400	82.04
		D7E only	TRK ADJ			CTC-FIG3404	63.46
MODEL D7G							
DOZER LH							
	1041944		P-UB-10	2-1/2	4-3/4	CTC-1700221	194.29
	1U2133		P-UB-10	2-1/2	4-3/4	CTC-7X2773	178.45
	1U2136		P-UB-10	2-1/2	4-3/4	CTC-7X2773	178.45
DOZER LIFT							
	3R6781		P-UB-10	2-1/2	4-3/4	CTC-7X2660	246.36
DOZER LIFT LH							
	1U2133		P-UB-10	2-1/2	4-3/4	CTC-7X2660	246.36
	1U2136		P-UB-10	2-1/2	4-3/4	CTC-7X2660	246.36

REPLACEMENT KITS FOR CATERPILLAR® EQUIPMENT

Crawler Dozers							
APPLICATION	CYL #	Misc-Parts, Instructions, etc.	CODE	ROD	BORE	KIT #	List \$
MODEL D7G							
DOZER LIFT RH							
	1U2134		P-UB-10	2-1/2	4-3/4	CTC-7X2660	246.36
	1U2135		P-UB-10	2-1/2	4-3/4	CTC-7X2660	246.36
DOZER RH							
	1041943		P-UB-10	2-1/2	4-3/4	CTC-1700221	194.29
	1U2134		P-UB-10	2-1/2	4-3/4	CTC-7X2773	178.45
	1U2135		P-UB-10	2-1/2	4-3/4	CTC-7X2773	178.45
DOZER TILT							
	2J6783		P-U-10	3-1/2	8-1/4	CTC-7X2720	247.80
	3J9694		P-U-10	3-1/2	8-1/4	CTC-7X2720	247.80
	3R6770		P-U-10	3-1/2	8-1/4	CTC-7X2720	247.80
	9J8748		P-UB-10	3	6-1/2	CTC-7X2694	217.89
LIFT							
	3J3271		P-UB-10	2-1/2	6	CTC-7X2679	189.51
	3R6781		P-UB-10	2-1/2	4-3/4	CTC-7X2660	246.36
	4J6177		P-UB-10	2-1/2	4-3/4	CTC-1014201	183.78
	4J6177		P-UB-10	2-1/2	4-3/4	CTC-7X2660	246.36
LIFT LH							
	7J3334		P-UB-10	2-1/2	4-3/4	CTC-7X2773	178.45
LIFT RH							
	7J3333		P-UB-10	2-1/2	4-3/4	CTC-7X2773	178.45
	9J4888		P-UB-10	2-1/2	4-3/4	CTC-7X2773	178.45
RIPPER							
	3J6439		P-UB-10	2-1/2	6	CTC-7X2679	189.51
RIPPER LIFT							
	4T9290		P-UB-10	2-1/2	6	CTC-7X2655	155.83
TILT							
	2J1402		P-UB-10	3	6-1/2	CTC-1318733	268.15
	5J7929		P-UB-10	2-1/2	6	CTC-7X2692	225.32
	6J9752		P-UB-10	3	6-1/2	CTC-1126550	243.09
	9J8748		P-UB-10	3	6-1/2	CTC-1126550	243.09
	9J8748		P-UB-10	3	6-1/2	CTC-8T1408	110.76
TILT LH							
	5J7930		P-UB-10	2-1/2	6	CTC-7X2692	225.32
	7J9364		P-UB-10	2-1/2	6	CTC-7X2669	296.27
TRACK ADJUSTER							
			TRK ADJ			CTC-FIG3401	76.59
MODEL D7R							
DOZER							
	1291908		P-UB-10	2-1/2	4	CTC-1353223	220.01
	1U4851		P-UB-10	2-1/2	4	CTC-1318748	211.19
	1U4851		P-UB-10	2-1/2	4	CTC-1353253	204.97
	1U4852		P-UB-10	2-1/2	4	CTC-1318748	211.19
	1U4852		P-UB-10	2-1/2	4	CTC-1353253	204.97
LIFT							
	1294259		P-UB-10	2-1/2	4	CTC-1353223	220.01
	6E1836		P-UB-10	2-1/2	4	CTC-1353223	220.01
	6E1841		P-UB-10	2-1/2	4	CTC-1353223	220.01
RIPPER							
	9T0142		P-UB-10	3	7-1/4	CTC-1326184	293.98
TILT							
	1124814		P-UB-10	2-3/4	6	CTC-1352167	240.21
	3G4533		P-UB-10	3	6-1/2	CTC-1126550	243.09
	9T6113		P-UB-10	3	6-1/2	CTC-1126550	243.09
TILT LH							
	1470709		P-UB-10	3	6-1/2	CTC-1126550	243.09

CATERPILLAR®

REPLACEMENT KITS FOR CATERPILLAR® EQUIPMENT

Crawler Dozers							
APPLICATION	CYL #	Misc-Parts, Instructions, etc.	CODE	ROD	BORE	KIT #	List \$
MODEL D7R							
TILT RH							
	1470708		P-UB-10	3	6-1/2	CTC-1126550	243.09
MODEL D8N							
DOZER							
	6E1102		P-UB-10	3	4-1/2	CTC-1353802	239.16
	6E1175		P-UB-10	3-1/2	7-1/4	CTC-1309483	388.58
	9T0140		P-UB-10	2-3/4	4-1/4	CTC-7X2451	152.08
	9T0141		P-UB-10	3-1/2	7-1/2	CTC-7X2722	254.78
PIN PULLER							
	6E3113		P-UB-10	1-3/4	4	CTC-1316108	149.01
	9T2066		P-UB-10	1-1/2	4	CTC-7X2738	119.97
RIPPER							
	9T0142		P-UB-10	3	7-1/4	CTC-1326184	293.98
	9T0143		P-UB-10	3	6-1/2	CTC-1279809	301.03
TILT							
	6E0397		P-UB-10	3	7-1/4	CTC-1326127	270.39
	9T6077		P-UB-10	3	6-1/2	CTC-1126550	243.09
MODEL D8R							
DOZER							
	6E1102		P-UB-10	3	4-1/2	CTC-1353802	239.16
	6E1175		P-UB-10	3-1/2	7-1/4	CTC-1309483	388.58
PIN PULLER							
	6E3113		P-UB-10	1-3/4	4	CTC-1316108	149.01
	9T2066		P-UB-10	1-1/2	4	CTC-7X2738	119.97
RIPPER							
	4Z6313		P-UB-10	3	6-1/2	CTC-1279809	301.03
	9T0142		P-UB-10	3	7-1/4	CTC-1326184	293.98
	9T0143		P-UB-10	3	6-1/2	CTC-1279809	301.03
TILT							
	6E0397		P-UB-10	3	7-1/4	CTC-1326127	270.39
MODEL D8T							
DOZER LIFT							
	J8B1-UP; KPZ1-UP						
	2505861		P-UB-10	3	4-1/2	CTC-3193557	131.15
DOZER TILT							
	J8B1-UP; KPZ1-UP						
	2407347		P-UB-10	3-1/2	7-1/4	CTC-2407347K	254.32
	2410550		P-UB-10	3-1/2	7-1/4	CTC-2460639	374.92
	6E0397		P-UB-10	3	7-1/4	CTC-2442059	319.75
RIPPER							
	J8B1-UP; KPZ1-UP						
	1553653		P-UB-10	3	7-1/4	CTC-2442067	183.64
RIPPER PIN PULLER							
	J8B1-UP; KPZ1-UP						
	6E3113		P-UB-10	1-3/4	4	CTC-2404819	149.01
RIPPER-LH							
	J8B1-UP; KPZ1-UP						
	1553652		P-UB-10	3	6-1/2	CTC-2442050	167.01
RIPPER-RH							
	J8B1-UP; KPZ1-UP						
	1650102		P-UB-10	3	6-1/2	CTC-2442050	167.01
TILT							
	KPZ3627-UP						
	3473272		P-UB-10	3-1/2	7-1/4	CTC-3473272K	213.61
MODEL D9N							
DOZER LIFT							
	9T2860		P-UB-10	3	5-1/4	CTC-7X2756	173.43

REPLACEMENT KITS FOR CATERPILLAR® EQUIPMENT

Crawler Dozers							
APPLICATION	CYL. #	Misc-Parts, Instructions, etc.	CODE	ROD	BORE	KIT #	List \$
MODEL D9N							
DOZER TILT							
	3G5707		P-UB-10	3-1/2	8-1/4	CTC-7X2721	360.04
LIFT							
	9T2860		P-UB-10	3	5-1/4	CTC-7X2756	173.43
PIN PULLER							
	6E3113		P-UB-10	1-3/4	4	CTC-1316108	149.01
	9T2066		P-UB-10	1-1/2	4	CTC-7X2738	119.97
RIPPER							
	3G6457		P-UB-10	3-1/4	8-1/4	CTC-7X2715	344.14
RIPPER LIFT							
	3G6457		P-UB-10	3-1/4	8-1/4	CTC-7X2715	344.14
RIPPER PIN PULLER							
	9T2066		P-UB-10	1-1/2	4	CTC-7X2738	119.97
TILT							
	3G5707		P-UB-10	3-1/2	8-1/4	CTC-1371974	332.11
	6E4835	1229350 Piston	P-UB-10	3-1/2	8-1/4	CTC-1324905	287.98
	6E4836	1229350 Piston	P-UB-10	3-1/2	8-1/4	CTC-1324905	287.98
MODEL D9R							
DOZER							
	4Z6172		P-UB-10	3	4-3/4	CTC-1362025	286.81
	6E4433		P-UB-10	3	4-3/4	CTC-1542503	171.66
PIN PULLER							
	6E3113		P-UB-10	1-3/4	4	CTC-1316108	149.01
RIPPER							
	1238098		P-UB-10	3-1/4	7-1/4	CTC-1324987	312.23
	1325123		P-UB-10	3-1/4	7-1/4	CTC-1324987	312.23
	9T5813		P-UB-10	3-1/4	7-1/4	CTC-1324987	312.23
RIPPER TILT							
	1238097		P-UB-10	3	6	CTC-1324937	183.64
	1325149		P-UB-10	3	6	CTC-1324937	183.64
	9T5807		P-UB-10	3	6	CTC-1324937	183.64
TILT							
	1096778		P-UB-10	3-1/2	8-1/4	CTC-1324905	287.98
TILT LH							
	1098833		P-UB-10	3-1/2	8-1/4	CTC-1324905	287.98
	6E4835		P-UB-10	3-1/2	8-1/4	CTC-7X2721	360.04
TILT RH							
	1098832		P-UB-10	3-1/2	8-1/4	CTC-1324905	287.98
	6E4836		P-UB-10	3-1/2	8-1/4	CTC-7X2721	360.04
MODEL D9T							
DOZER LIFT							
	RJS1-UP						
	2256727		P-UB-10	3	4-3/4	CTC-4162092	176.00
	RJS1-UP; T9H1-UP; T9J1-UP						
	1658633		P-UB-10	3	4-3/4	CTC-3193558	165.28
DOZER TILT							
	T9J1-UP						
	4Z6110		P-UB-10	3-1/2	8-1/4	CTC-4Z6110K	240.51
DOZER TILT LH							
	RJS1-UP						
	1098833		P-UB-10	3-1/2	8-1/4	CTC-2456835	252.37
DOZER TILT RH							
	RJS1-UP						
	1098832		P-UB-10	3-1/2	8-1/4	CTC-2456835	252.37

CATERPILLAR®

REPLACEMENT KITS FOR CATERPILLAR® EQUIPMENT

Crawler Dozers							
APPLICATION	CYL #	Misc-Parts, Instructions, etc.	CODE	ROD	BORE	KIT #	List \$
MODEL D9T							
DOZER TILT STABILIZER							
	T9H1-UP; T9J1-UP						
	1096778		P-UB-10	3-1/2	8-1/4	CTC-2456835	252.37
RIPPER							
	CRM1-UP						
	1325123		P-UB-10	3-1/4	7-1/4	CTC-2450596	245.16
RIPPER - PIN PULLER							
	RJS1-UP						
	6E3113		P-UB-10	1-3/4	4	CTC-2404819	149.01
RIPPER TIP							
	CRM1-UP; MAM1-UP						
	1325149		P-UB-10	3	6	CTC-2442055	165.55
	RJS1-UP						
	4Z6364	Cold Weather	P-UB-10	3	6	CTC-4Z6364K	171.62
MODEL D10N							
DOZER							
	9T4279		P-UB-10	4	9-1/4	CTC-1324922	437.86
	9T4280		P-UB-10	4	9-1/4	CTC-1324922	437.86
	9T7341		P-UB-10	4	9-1/4	CTC-1324922	437.86
DOZER LIFT							
	9T2869		P-UB-10	3-1/2	6-1/4	CTC-7X0863	231.86
DOZER TILT							
	9T1180		P-UB-10	4	9-1/4	CTC-7X2799	389.51
	9T4279		P-UB-10	4	9-1/4	CTC-7X2799	389.51
LIFT							
	9T2869		P-UB-10	3-1/2	6-1/4	CTC-1365158	283.70
PIN PULLER							
	6E3113		P-UB-10	1-3/4	4	CTC-1316108	149.01
	9T2066		P-UB-10	1-1/2	4	CTC-7X2738	119.97
RIPPER							
	4T9977		P-UB-10	3-1/4	8-1/4	CTC-7X2715	344.14
RIPPER LH							
	4T5111		P-UB-10	3-1/4	9-1/4	CTC-1469631	334.56
	4T5111		P-UB-10	3-1/4	9-1/4	CTC-7X2707	459.66
RIPPER LIFT LH							
	4T5111		P-UB-10	3-1/4	9-1/4	CTC-7X2707	459.66
RIPPER LIFT RH							
	4T5112		P-UB-10	3-1/4	9-1/4	CTC-7X2707	459.66
RIPPER PIN PULLER							
	9T2066		P-UB-10	1-1/2	4	CTC-7X2738	119.97
RIPPER RH							
	4T5112		P-UB-10	3-1/4	9-1/4	CTC-1469631	334.56
	4T5112		P-UB-10	3-1/4	9-1/4	CTC-7X2707	459.66
RIPPER TILT							
	4T9977		P-UB-10	3-1/4	8-1/4	CTC-7X2715	344.14
TILT LH							
	9J0673		P-UB-10	2-3/4	6	CTC-7X2803	225.67
TILT RH							
	9T9203		P-UB-10	4	9-1/4	CTC-1324922	437.86
TWIN TILT LH							
	9T9204		P-UB-10	4	9-1/4	CTC-7X2799	389.51
TWIN TILT RH							
	9T9203		P-UB-10	4	9-1/4	CTC-7X2799	389.51
MODEL D10R							
DOZER LH							
	9T9204		P-UB-10	4	9-1/4	CTC-1324922	437.86

REPLACEMENT KITS FOR CATERPILLAR® EQUIPMENT

Crawler Dozers							
APPLICATION	CYL. #	Misc-Parts, Instructions, etc.	CODE	ROD	BORE	KIT #	List \$
MODEL D10R							
DOZER RH	4T5112		P-UB-10	3-1/4	9-1/4	CTC-1469631	334.56
LIFT	9T2869		P-UB-10	3-1/2	6-1/4	CTC-1365158	283.70
PIN PULLER	6E3113		P-UB-10	1-3/4	4	CTC-1316108	149.01
RIPPER	4T9977		P-UB-10	3-1/4	8-1/4	CTC-7X2715	344.14
RIPPER LH	4T5111		P-UB-10	3-1/4	9-1/4	CTC-1469631	334.56
	4T5111		P-UB-10	3-1/4	9-1/4	CTC-7X2707	459.66
RIPPER RH	4T5112		P-UB-10	3-1/4	9-1/4	CTC-7X2707	459.66
TILT	9T9202		P-UB-10	4	9-1/4	CTC-1324922	437.86
MODEL D10T							
DOZER LIFT	BHA1-UP; BHF1-UP; BHJ1-UP; BHP1-UP; RJG1-UP						
	9T2869		P-UB-10	3-1/2	6-1/4	CTC-3189220	432.74
DOZER LIFT RH	RJG1-1900						
	2310865		P-UB-10	3-1/2	6-1/4	CTC-3189220	432.74
	RJG1901-UP						
	3238514		P-UB-10	3-1/2	6-1/4	CTC-3189220	432.74
DOZER TILT	BHA1-UP; BHF1-UP; BHJ1-UP; BHP1-UP						
	2320654		P-UB-10	4	9-1/4	CTC-2460648	432.15
DUAL TILT LH	RJG1-UP						
	2320652		P-UB-10	4	9-1/4	CTC-2460648	432.15
DUAL TILT RH	RJG1-UP						
	2320653		P-UB-10	4	9-1/4	CTC-2460648	432.15
RIPPER - PIN PULLER	RJG1-UP						
	6E3113		P-UB-10	1-3/4	4	CTC-2404819	149.01
RIPPER LIFT LH	4PP1-UP; BRT1-UP; BEY1-UP						
	1926446		P-UB-10	3-1/2	9-1/4	CTC-2610582	265.64
RIPPER LIFT RH	4PP1-UP; BRT1-UP; BEY1-UP						
	1926445		P-UB-10	3-1/2	9-1/4	CTC-2610582	265.64
RIPPER TILT	4PP1-UP; BRT1-UP; BEY1-UP						
	4T9977		P-UB-10	3-1/4	8-1/4	CTC-4T9977K	213.65
MODEL D11N							
DOZER LIFT LH	4T2727		P-UB-10	4	7	CTC-1326783	327.11
	4T2727		P-UB-10	4	7	CTC-8T1457	263.46
DOZER LIFT RH	4T2728		P-UB-10	4	7	CTC-1326783	327.11
	4T2728		P-UB-10	4	7	CTC-8T1457	263.46
DOZER TILT	1U2711		P-UB-10	4	10-1/2	CTC-1324932	495.68
	9T1180		P-UB-10	4	9-1/4	CTC-7X2799	389.51
	9T4276		P-UB-10	4	9-1/4	CTC-7X2799	389.51

REPLACEMENT KITS FOR CATERPILLAR® EQUIPMENT

Crawler Dozers							
APPLICATION	CYL #	Misc-Parts, Instructions, etc.	CODE	ROD	BORE	KIT #	List \$
MODEL D11N							
PIN PULLER							
	6E3113		P-UB-10	1-3/4	4	CTC-2404819	149.01
	9T2066		P-UB-10	1-1/2	4	CTC-7X2738	119.97
RIPPER							
	4T7985		P-UB-10	3-1/4	8-1/4	CTC-7X2715	344.14
RIPPER PIN PULLER							
	9T2066		P-UB-10	1-1/2	4	CTC-7X2738	119.97
RIPPER TILT							
	3G2220		P-UB-10	3-1/4	8-1/4	CTC-7X2801	312.90
	3G3220		P-UB-10	3-1/4	8-1/4	CTC-7X2715	344.14
	4T7985		P-UB-10	3-1/4	8-1/4	CTC-7X2715	344.14
TILT							
	9T3715		P-UB-10	4	10-1/2	CTC-1324932	495.68
	9T3716		P-UB-10	4	10-1/2	CTC-1324932	495.68
MODEL D11R							
DOZER							
	1U2711		P-UB-10	4	10-1/2	CTC-1324932	495.68
DOZER LH							
	4T2727		P-UB-10	4	7	CTC-1326783	327.11
	4T2727		P-UB-10	4	7	CTC-8T1457	263.46
DOZER RH							
	4T2728		P-UB-10	4	7	CTC-1326783	327.11
	4T2728		P-UB-10	4	7	CTC-8T1457	263.46
PIN PULLER							
	6E3113		P-UB-10	1-3/4	4	CTC-1316108	149.01
	9T2066		P-UB-10	1-1/2	4	CTC-7X2738	119.97
RIPPER							
	1616615		P-UB-10	3-1/2	10	CTC-2460635	621.85
RIPPER LH							
	1616616		P-UB-10	3-1/2	10	CTC-2460635	621.85
	1617563		P-UB-10	4-1/2	220 mm	CTC-2295546	507.05
RIPPER RH							
	1617562		P-UB-10	4-1/2	220 mm	CTC-2295546	507.05
TILT							
	9T3715		P-UB-10	4	10-1/2	CTC-1324932	495.68
	9T3716		P-UB-10	4	10-1/2	CTC-1324932	495.68
MODEL D11T							
LIFT							
	AMA1-; GEB1-; JEL1-; 8PP1-; 8RP1-						
	2520471		P-UB-10	4	7	CTC-3189225	332.42
	AMA1-; JEL1-; JNS1-; MDG1-						
	2618004		P-UB-10	4	7	CTC-4161944	274.73
	BHZ1-; GEB1-; TPB1-						
	2520473		P-UB-10	4	7	CTC-3189225	332.42
RIPPER LIFT							
	AMA1-; GAZ1-; JCY1-; JEL1-; JJC1-; LJA1-; MJM1-						
	3401877		P-UB-10	3-1/2	10	CTC-2460635	621.85
RIPPER LIFT LH							
	7ZP1-						
	1616616		P-UB-10	3-1/2	10	CTC-2460635	621.85
	GAZ1-; 5MP1-; 7CP1-; 7DP1-; 7PP1-						
	1018614		P-UB-10	3-1/2	10	CTC-2460635	621.85
RIPPER LIFT RH							
	7ZP1-						
	1616615		P-UB-10	3-1/2	10	CTC-2460635	621.85

REPLACEMENT KITS FOR CATERPILLAR® EQUIPMENT

Crawler Dozers							
APPLICATION	CYL #	Misc-Parts, Instructions, etc.	CODE	ROD	BORE	KIT #	List \$
MODEL D11T							
RIPPER LIFT RH							
	GAZ1-; 5MP1-; 7CP1-; 7DP1-; 7PP1-						
	1018581		P-UB-10	3-1/2	10	CTC-2460635	621.85
RIPPER PIN PULLER							
	AMA1-; GEB1-; JEL1-; JNS1-; TPB1-; 7YP1-; 7ZP1-						
	6E3113		P-UB-10	1-3/4	4	CTC-2404819	149.01
RIPPER TILT LH							
	AMA1-; GAZ1-; LJA1-; JJC1-; JCJ1-; JEL1-; MJM1-; 5MP1-; 7CP1-; 7DP1-; 7PP1-						
	1306381		P-UB-10	3-3/4	7-3/4	CTC-2459840	458.21
RIPPER TILT RH							
	AMA1-; GAZ1-; LJA1-; JJC1-; JCJ1-; JEL1-; MJM1-; 5MP1-; 7CP1-; 7DP1-; 7PP1-						
	1303263		P-UB-10	3-3/4	7-3/4	CTC-2459840	458.21
TILT							
	GEB1-						
	3082444		P-UB-10	4	10-1/2	CTC-2460649	652.34
	3672255		P-UB-10	4	10-1/2	CTC-2460649	652.34
TILT LH							
	7ZP1-						
	1617563		P-UB-10	4-1/2	220 mm	CTC-2295546	507.05
	8PP1-; 8RP1-						
	3082462		P-UB-10	4	10-1/2	CTC-2460649	652.34
	AMA1-; JEL1-; 8PP1-; 8RP1-						
	3672259		P-UB-10	4	10-1/2	CTC-2460649	652.34
	BHZ1-; JNS1-; MDG1-						
	3082465		P-UB-10	5	11	CTC-3082465K	756.03
TILT RH							
	7ZP1-						
	1617562		P-UB-10	4-1/2	220 mm	CTC-2295546	507.05
	8PP1-; 8RP1-						
	3082464		P-UB-10	4	10-1/2	CTC-2460649	652.34
	AMA1-; JEL1-; 8PP1-; 8RP1-						
	3672258		P-UB-10	4	10-1/2	CTC-2460649	652.34
	BHZ1-; JNS1-; MDG1-						
	3082467		P-UB-10	5	10	CTC-3082467K	568.04
Crawler Loaders							
APPLICATION	CYL #	Misc-Parts, Instructions, etc.	CODE	ROD	BORE	KIT #	List \$
MODEL 931							
BACKHOE BOOM							
	3G5767		P-UB-10	2-1/4	4-1/2	CTC-7X2748	147.58
	8J5555		P-UB-10	2-1/4	4-1/2	CTC-7X2748	147.58
BACKHOE BUCKET							
	3G5905		P-UB-10	2-1/4	3-1/2	CTC-7X2818	123.74
	8J5642		P-UB-10	2-1/4	3-1/2	CTC-7X2818	123.74
BACKHOE STABILIZER							
	1U2655		P-UB-10	2	4	CTC-1328816	127.22
	1U2656		P-UB-10	2	4	CTC-1328816	127.22
	3G6792		P-UB-10	1-1/2	3-1/2	CTC-7X2752	130.85
	8J6903		P-UB-10	2	4	CTC-1328816	127.22
	8J6904		P-UB-10	2	4	CTC-1328816	127.22
	8J9481		P-UB-10	1-1/2	3-1/2	CTC-7X2752	130.85
BACKHOE STICK							
	3G5771		P-UB-10	2	4	CTC-1328816	127.22
	8J5448		P-UB-10	2	4	CTC-1328816	127.22
LIFT							
	7J5893		P-UB-10	2	4	CTC-1328816	127.22
	7J5894		P-UB-10	2	4	CTC-1328816	127.22

CATERPILLAR®

REPLACEMENT KITS FOR CATERPILLAR® EQUIPMENT

Crawler Loaders							
APPLICATION	CYL #	Misc-Parts, Instructions, etc.	CODE	ROD	BORE	KIT #	List \$
MODEL 931							
M.P. BUCKET							
	3G7365		P-UB-10	1-1/2	3-1/2	CTC-7X2752	130.85
	8J5391		P-UB-10	1-1/2	3-1/2	CTC-7X2752	130.85
RIPPER							
	7J9920		P-UB-10	2	4	CTC-1328816	127.22
TILT							
	7J5885		P-UB-10	1-3/4	3	CTC-7X2791	121.52
	9J7905		P-UB-10	1-3/4	3	CTC-7X2791	121.52
MODEL 931B							
BACKHOE BOOM/BUCKET							
	3G5767		P-UB-10	2-1/4	4-1/2	CTC-1326770	198.07
	3G5905		P-UB-10	2-1/4	3-1/2	CTC-1358166	222.91
BACKHOE BUCKET							
	8J5642		P-UB-10	2-1/4	3-1/2	CTC-7X2818	123.74
BACKHOE STABILIZER							
	8J6903		P-UB-10	2	4	CTC-7X2789	139.93
	8J6904		P-UB-10	2	4	CTC-7X2789	139.93
	8J9481		P-UB-10	1-1/2	3-1/2	CTC-7X2752	130.85
BACKHOE STICK/BLADE SHIFT							
	3G5771		P-UB-10	2	4	CTC-1328816	127.22
LIFT							
	7J5893		P-UB-10	2	4	CTC-1328816	127.22
	7J5894		P-UB-10	2	4	CTC-1328816	127.22
LIFT LH							
	6E0214		P-UB-10	2	4	CTC-1328816	127.22
	9T6705		P-UB-10	2	4	CTC-1328816	127.22
LIFT RH							
	9T6704		P-UB-10	2	4	CTC-1328816	127.22
M.P. BUCKET							
	3G7365		P-UB-10	1-1/2	3-1/2	CTC-7X2752	130.85
RIPPER							
	7J9920		P-UB-10	2	4	CTC-1328816	127.22
STABILIZER							
	3G6792		P-UB-10	1-1/2	3-1/2	CTC-7X2752	130.85
	8J6903		P-UB-10	2	4	CTC-7X2789	139.93
	8J6904		P-UB-10	2	4	CTC-7X2789	139.93
	8J9481		P-UB-10	1-1/2	3-1/2	CTC-7X2752	130.85
STABILIZER LH							
	1U2656		P-UB-10	2	4	CTC-1328816	127.22
STABILIZER RH							
	1U2655		P-UB-10	2	4	CTC-1328816	127.22
TILT							
	1U3165		P-UB-10	1-3/4	3-1/4	CTC-7X2764	94.31
	4T0963		P-UB-10	1-3/4	3-1/4	CTC-7X2764	94.31
	7J5885		P-UB-10	1-3/4	3	CTC-7X2791	121.52
	9J7905		P-UB-10	1-3/4	3	CTC-7X2791	121.52
MODEL 931C							
BACKHOE BOOM/BUCKET							
	3G5767		P-UB-10	2-1/4	4-1/2	CTC-1326770	198.07
	3G5767		P-UB-10	2-1/4	4-1/2	CTC-7X2748	147.58
	3G5905		P-UB-10	2-1/4	3-1/2	CTC-1358166	222.91
BACKHOE BUCKET							
	8J5642		P-UB-10	2-1/4	3-1/2	CTC-7X2818	123.74

REPLACEMENT KITS FOR CATERPILLAR® EQUIPMENT

Crawler Loaders							
APPLICATION	CYL #	Misc-Parts, Instructions, etc.	CODE	ROD	BORE	KIT #	List \$
MODEL 931C							
BACKHOE STABILIZER							
	1U2655		P-UB-10	2	4	CTC-7X2789	139.93
	1U2656		P-UB-10	2	4	CTC-7X2789	139.93
	3G6792		P-UB-10	1-1/2	3-1/2	CTC-7X2752	130.85
	8J6903		P-UB-10	2	4	CTC-7X2789	139.93
	8J6904		P-UB-10	2	4	CTC-7X2789	139.93
	8J9481		P-UB-10	1-1/2	3-1/2	CTC-7X2752	130.85
BACKHOE STICK/BLADE SHIFT							
	3G5771		P-UB-10	2	4	CTC-1328816	127.22
BUCKET							
	3G7365		P-UB-10	1-1/2	3-1/2	CTC-7X2752	130.85
LIFT							
	7J5893		P-UB-10	2	4	CTC-1328816	127.22
	7J5894		P-UB-10	2	4	CTC-1328816	127.22
LIFT LH							
	6E0214		P-UB-10	2	4	CTC-1328816	127.22
	9T6705		P-UB-10	2	4	CTC-1328816	127.22
LIFT RH							
	9T6704		P-UB-10	2	4	CTC-1328816	127.22
M.P. BUCKET							
	3G7365		P-UB-10	1-1/2	3-1/2	CTC-7X2752	130.85
RIPPER							
	7J9920		P-UB-10	2	4	CTC-1328816	127.22
STABILIZER							
	3G6792		P-UB-10	1-1/2	3-1/2	CTC-7X2752	130.85
STABILIZER LH							
	1U2656		P-UB-10	2	4	CTC-1328816	127.22
STABILIZER RH							
	1U2655		P-UB-10	2	4	CTC-1328816	127.22
TILT							
	4T0963		P-UB-10	1-3/4	3-1/4	CTC-7X2764	94.31
MODEL 933							
BUCKET							
	3G7365		P-UB-10	1-1/2	3-1/2	CTC-7X2752	130.85
LIFT LH							
	1052808		P-UB-10	2	4	CTC-1328816	127.22
LIFT RH							
	1052886		P-UB-10	2	4	CTC-1328816	127.22
	6E0212		P-UB-10	2	4	CTC-1328816	127.22
RIPPER							
	7J9920		P-UB-10	2	4	CTC-1328816	127.22
TILT							
	1012493		P-UB-10	1-3/4	3-1/2	CTC-7X2784	77.28
	1368600		P-UB-10	1-3/4	3-1/2	CTC-7X2784	77.28
MODEL 933C							
BUCKET							
	1494362		P-UB-10	2	4	CTC-1328816	127.22
LIFT RH							
	1412421		P-UB-10	2	4	CTC-1328816	127.22
RIPPER							
	7J9920		P-UB-10	2	4	CTC-1328816	127.22
TILT							
	1214264		P-UB-10	1-3/4	3-1/2	CTC-7X2784	77.28
TRACK ADJUSTER							
			TRK ADJ			CTC-FIG4400	65.89

CATERPILLAR®

REPLACEMENT KITS FOR CATERPILLAR® EQUIPMENT

Crawler Loaders							
APPLICATION	CYL #	Misc-Parts, Instructions, etc.	CODE	ROD	BORE	KIT #	List \$
MODEL 933E, 933F, 933G							
TRACK ADJUSTER							
			TRK ADJ			CTC-FIG4400	65.89
MODEL 935B							
BACKHOE / BOOM BUCKET							
	3G5767		P-UB-10	2-1/4	4-1/2	CTC-1326770	198.07
	3G5905		P-UB-10	2-1/4	3-1/2	CTC-1358166	222.91
BACKHOE BUCKET							
	3G7365		P-UB-10	1-1/2	3-1/2	CTC-7X2752	130.85
BACKHOE STICK/BLADE SHIFT							
	3G5771		P-UB-10	2	4	CTC-1328816	127.22
LIFT							
	7J5893		P-UB-10	2	4	CTC-1328816	127.22
	7J5894		P-UB-10	2	4	CTC-1328816	127.22
LIFT LH							
	6E0214		P-UB-10	2	4	CTC-1328816	127.22
	9T6705		P-UB-10	2	4	CTC-1328816	127.22
LIFT RH							
	9T6704		P-UB-10	2	4	CTC-1328816	127.22
RIPPER							
	7J9920		P-UB-10	2	4	CTC-1328816	127.22
STABILIZER							
	3G6792		P-UB-10	1-1/2	3-1/2	CTC-7X2752	130.85
STABILIZER LH							
	1U2656		P-UB-10	2	4	CTC-1328816	127.22
STABILIZER RH							
	1U2655		P-UB-10	2	4	CTC-1328816	127.22
TILT							
	4T0963		P-UB-10	1-3/4	3-1/4	CTC-7X2764	94.31
MODEL 935C							
BACKHOE BOOM/BUCKET							
	3G5767		P-UB-10	2-1/4	4-1/2	CTC-1326770	198.07
	3G5905		P-UB-10	2-1/4	3-1/2	CTC-1358166	222.91
BACKHOE BUCKET							
	3G7365		P-UB-10	1-1/2	3-1/2	CTC-7X2752	130.85
BACKHOE STICK/BLADE SHIFT							
	3G5771		P-UB-10	2	4	CTC-1328816	127.22
LIFT							
	7J5893		P-UB-10	2	4	CTC-1328816	127.22
	7J5894		P-UB-10	2	4	CTC-1328816	127.22
LIFT LH							
	6E0214		P-UB-10	2	4	CTC-1328816	127.22
	9T6705		P-UB-10	2	4	CTC-1328816	127.22
LIFT RH							
	6E0212		P-UB-10	2	4	CTC-1328816	127.22
	9T6704		P-UB-10	2	4	CTC-1328816	127.22
RIPPER							
	7J9920		P-UB-10	2	4	CTC-1328816	127.22
STABILIZER							
	3G6792		P-UB-10	1-1/2	3-1/2	CTC-7X2752	130.85
STABILIZER LH							
	1U2656		P-UB-10	2	4	CTC-1328816	127.22
STABILIZER RH							
	1U2655		P-UB-10	2	4	CTC-1328816	127.22
TILT							
	4T0963		P-UB-10	1-3/4	3-1/4	CTC-7X2764	94.31

REPLACEMENT KITS FOR CATERPILLAR® EQUIPMENT

Crawler Loaders							
APPLICATION	CYL #	Misc-Parts, Instructions, etc.	CODE	ROD	BORE	KIT #	List \$
MODEL 939							
BUCKET							
	3G7365		P-UB-10	1-1/2	3-1/2	CTC-7X2752	130.85
LIFT LH							
	1052808		P-UB-10	2	4	CTC-1328816	127.22
LIFT RH							
	1052886		P-UB-10	2	4	CTC-1328816	127.22
	6E0212		P-UB-10	2	4	CTC-1328816	127.22
RIPPER							
	7J9920		P-UB-10	2	4	CTC-1328816	127.22
TILT							
	1012518		P-UB-10	2	4	CTC-1328816	127.22
	1363129		P-UB-10	2	4	CTC-1328816	127.22
MODEL 939C							
BUCKET							
	1494362		P-UB-10	2	4	CTC-1328816	127.22
LIFT							
	1412422		P-UB-10	2-1/2	4-1/2	CTC-1113300	187.32
RIPPER							
	7J9920		P-UB-10	2	4	CTC-1328816	127.22
TILT							
	1414266		P-UB-10	2	4	CTC-1328816	127.22
MODEL 941							
BUCKET							
	7J6789		P-UB-10	2	4	CTC-7X2789	139.93
	8J5663		P-UB-10	2	4	CTC-7X2789	139.93
BUCKET LH							
	6J2806		P-UB-10	2	4	CTC-7X2789	139.93
BUCKET RH							
	6J2805		P-UB-10	2	4	CTC-7X2789	139.93
LIFT							
	8J6868		P-UB-10	2-1/2	4	CTC-7X2659	170.54
LIFT LH							
	6J3082		P-UB-10	2-1/4	4	CTC-7X2802	125.77
	7J9862		P-UB-10	2-1/4	4	CTC-7X2802	125.77
	9J5726		P-UB-10	2-1/4	4	CTC-7X2802	125.77
LIFT RH							
	6J3081		P-UB-10	2-1/4	4	CTC-7X2802	125.77
	7J9861		P-UB-10	2-1/4	4	CTC-7X2802	125.77
	9J5725		P-UB-10	2-1/4	4	CTC-7X2802	125.77
PUMP							
	16U; 32F; 80H; 86J						
	9J5080	w/ Felt Ring				CTC-4J9281	25.33
	9J5080	w/ FKM Oil Seal				CTC-9J5116	37.73
	80H; 86J						
	7J0583					CTC-9J5111	57.54
RIPPER							
	6J3308		P-UB-10	2-1/2	5-1/2	CTC-8T1374	128.10
	6J3308		P-UB-10	2-1/2	5-1/2	CTC-9X2050	138.10
SIDE DUMP							
	8J5670		P-UB-10	2	4	CTC-7X2755	156.44
	8J5670		P-UB-10	2	4	CTC-7X7937	191.83
TILT							
			P-UB-10	2-3/8	4	CTC-2418925	77.46
TRACK ADJUSTER							
			TRK ADJ			CTC-FIG4400	65.89

REPLACEMENT KITS FOR CATERPILLAR® EQUIPMENT

Crawler Loaders							
APPLICATION	CYL #	Misc-Parts, Instructions, etc.	CODE	ROD	BORE	KIT #	List \$
MODEL 941B							
BUCKET							
	7J6789		P-UB-10	2	4	CTC-7X2789	139.93
	8J5663		P-UB-10	2	4	CTC-7X2789	139.93
LIFT LH							
	6J3082		P-UB-10	2-1/4	4	CTC-7X2802	125.77
	7J9862		P-UB-10	2-1/4	4	CTC-7X2802	125.77
	9J5726		P-UB-10	2-1/4	4	CTC-7X2802	125.77
LIFT RH							
	6J3081		P-UB-10	2-1/4	4	CTC-7X2802	125.77
	7J9861		P-UB-10	2-1/4	4	CTC-7X2802	125.77
	9J5725		P-UB-10	2-1/4	4	CTC-7X2802	125.77
M.P. BUCKET							
	8J5663		P-UB-10	2	4	CTC-7X2789	139.93
M.P. BUCKET LH							
	6J2806		P-UB-10	2	4	CTC-7X2789	139.93
M.P. BUCKET RH							
	6J2805		P-UB-10	2	4	CTC-7X2789	139.93
PUMP							
	16U; 32F; 80H; 86J						
	9J5080	w/ Felt Ring				CTC-4J9281	25.33
	9J5080	w/ FKM Oil Seal				CTC-9J5116	37.73
	80H; 86J						
	7J0583					CTC-9J5111	57.54
RIPPER							
	6J3308		P-UB-10	2-1/2	5-1/2	CTC-8T1374	128.10
	6J3308		P-UB-10	2-1/2	5-1/2	CTC-9X2050	138.10
SIDE DUMP							
	8J5670		P-UB-10	2	4	CTC-7X2755	156.44
	8J5670		P-UB-10	2	4	CTC-7X7937	191.83
TILT							
			P-UB-10	2-3/8	4	CTC-2418925	77.46
TRACK ADJUSTER							
			TRK ADJ			CTC-FIG4400	65.89
MODEL 943							
BUCKET							
	4T9387		P-UB-10	2	4	CTC-1328816	127.22
	9J4892		P-UB-10	2	4	CTC-7X2789	139.93
BUCKET TILT							
	1U4802		P-UB-10	2-1/2	4-3/4	CTC-7X2660	246.36
LIFT							
	4T1963		P-UB-10	2-1/4	4	CTC-1361171	139.03
	9J0532		P-UB-10	2-1/4	4	CTC-1361171	139.03
M.P. BUCKET							
	9J4892		P-UB-10	2	4	CTC-7X2789	139.93
RIPPER							
	3G1296		P-UB-10	2	4	CTC-1328816	127.22
TILT							
	1U4802		P-UB-10	2-1/2	4-3/4	CTC-7X2660	246.36
	3G4653		P-UB-10	2-1/2	4-3/4	CTC-7X2660	246.36
MODEL 943B							
BUCKET							
	4T9387		P-UB-10	2	4	CTC-1328816	127.22
LIFT							
	9T3623		P-UB-10	2-1/4	4	CTC-1361171	139.03
RIPPER							
	3G1296		P-UB-10	2	4	CTC-1328816	127.22

CATERPILLAR®

REPLACEMENT KITS FOR CATERPILLAR® EQUIPMENT

Crawler Loaders							
APPLICATION	CYL #	Misc-Parts, Instructions, etc.	CODE	ROD	BORE	KIT #	List \$
MODEL 943B							
TILT							
	6E0257		P-UB-10	2-1/2	4-3/4	CTC-1328811	209.77
MODEL 951							
LIFT							
	7J9821		P-UB-10	2-1/4	4-1/4	CTC-7X2750	156.90
	7J9822		P-UB-10	2-1/4	4-1/4	CTC-7X2750	156.90
	9J5728		P-UB-10	2-1/4	4-1/4	CTC-7X2750	156.90
LIFT RH							
	9J5727		P-UB-10	2-1/4	4-1/4	CTC-7X2750	156.90
LOG FORK LH							
	8J5677		P-V-10	2	5	CTC-7X2763	185.79
LOG FORK RH							
	8J5676		P-V-10	2	5	CTC-7X2763	185.79
M.P. BUCKET LH							
	6J2806		P-UB-10	2	4	CTC-7X2789	139.93
M.P. BUCKET RH							
	6J2805		P-UB-10	2	4	CTC-7X2789	139.93
RIPPER							
	6J3308		P-UB-10	2-1/2	5-1/2	CTC-8T1374	128.10
TILT							
	4T9387		P-UB-10	2	4	CTC-7X2789	139.93
	5J9815		P-UB-10	2-3/8	4-1/4	CTC-8T1464	73.54
	5J9816		P-UB-10	2-3/8	4-1/4	CTC-8T1464	73.54
	8J5939		P-UB-10	2-3/8	4-1/4	CTC-8T1464	73.54
TILT LH							
	2K3744		P-V-10	2	5	CTC-7X2763	185.79
	3G8083		P-UB-10	2-3/8	4-1/4	CTC-8T1464	73.54
TILT RH							
	2K3743		P-V-10	2	5	CTC-7X2763	185.79
	7J9833		P-UB-10	2-3/8	4-1/4	CTC-8T1464	73.54
TRACK ADJUSTER							
			TRK ADJ			CTC-FIG4400	65.89
MODEL 951B, 951C							
BUCKET							
	7J6789		P-UB-10	2	4	CTC-7X2789	139.93
	8J5663		P-UB-10	2	4	CTC-7X2789	139.93
BUCKET LH							
	6J2806		P-UB-10	2	4	CTC-7X2789	139.93
BUCKET RH							
	6J2805		P-UB-10	2	4	CTC-7X2789	139.93
LIFT LH							
	6J4014		P-UB-10	2-1/4	4-1/4	CTC-7X2750	156.90
	7J9822		P-UB-10	2-1/4	4-1/4	CTC-7X2750	156.90
	9J5728		P-UB-10	2-1/4	4-1/4	CTC-7X2750	156.90
LIFT RH							
	6J4013		P-UB-10	2-1/4	4-1/4	CTC-7X2750	156.90
	7J9821		P-UB-10	2-1/4	4-1/4	CTC-7X2750	156.90
	9J5727		P-UB-10	2-1/4	4-1/4	CTC-7X2750	156.90
PUMP							
	16U; 32F; 80H; 86J						
	9J5080	w/ Felt Ring				CTC-4J9281	25.33
	9J5080	w/ FKM Oil Seal				CTC-9J5116	37.73
	80H; 86J						
	7J0583					CTC-9J5111	57.54
RIPPER							
	6J3308		P-UB-10	2-1/2	5-1/2	CTC-9X2050	138.10

CATERPILLAR®

REPLACEMENT KITS FOR CATERPILLAR® EQUIPMENT

Crawler Loaders							
APPLICATION	CYL #	Misc-Parts, Instructions, etc.	CODE	ROD	BORE	KIT #	List \$
MODEL 951B, 951C							
SIDE DUMP							
	8J5670		P-UB-10	2	4	CTC-7X2755	156.44
	8J5670		P-UB-10	2	4	CTC-7X7937	191.83
TILT							
	6J3308		P-UB-10	2-1/2	5-1/2	CTC-8T1374	128.10
	8J5939		P-UB-10	2-3/8	4-1/4	CTC-8T1464	73.54
TILT LH							
	3G8083		P-UB-10	2-3/8	4-1/4	CTC-8T1464	73.54
	5J9815		P-UB-10	2-3/8	4-1/4	CTC-8T1464	73.54
	5J9816		P-UB-10	2-3/8	4-1/4	CTC-8T1464	73.54
	7J9834		P-UB-10	2-3/8	4-1/4	CTC-8T1464	73.54
TILT RH							
	7J9833		P-UB-10	2-3/8	4-1/4	CTC-8T1464	73.54
	8J5939		P-UB-10	2-3/8	4-1/4	CTC-8T1464	73.54
TRACK ADJUSTER							
		951C only	TRK ADJ			CTC-FIG4400	65.89
MODEL 953B							
BUCKET							
	4T9387		P-UB-10	2	4	CTC-1328816	127.22
LIFT							
	9T3625	Rod Bearing width- 0.98", Head 9T3609	P-UB-10	2-1/2	4-3/4	CTC-1361131	196.39
	9T3625	Rod Bearing width- 1.24", Head 1206679	P-UB-10	2-1/2	4-3/4	CTC-2341948	124.29
RIPPER							
	3G1296		P-UB-10	2	4	CTC-1328816	127.22
TILT							
	1U0418		P-UB-10	3	5-1/2	CTC-1281673	313.48
MODEL 953C							
BUCKET							
	4T9387		P-UB-10	2	4	CTC-1328816	127.22
LIFT							
	9T3625	Rod Bearing width- 0.98", Head 9T3609	P-UB-10	2-1/2	4-3/4	CTC-1361131	196.39
	9T3625	Rod Bearing width- 1.24", Head 1206679	P-UB-10	2-1/2	4-3/4	CTC-2341948	124.29
RIPPER							
	3G1296		P-UB-10	2	4	CTC-1328816	127.22
TILT							
	1U0418		P-UB-10	3	5-1/2	CTC-1281673	313.48
MODEL 953D							
BUCKET MP							
	LBP1-UP 2929044		P-UB-10	2	4	CTC-2929044K	94.68
LIFT							
	LBP1-UP 2488788		P-UB-10	65 mm	115 mm	CTC-3925193	210.47
	2526337		P-UB-10	65 mm	115 mm	CTC-3925193	210.47
RIPPER							
	9JW1-UP 2860814		P-UB-10	2	4	CTC-2860814K	94.75
TILT							
	LBP1-UP 2696483		P-UB-10	85 mm	140 mm	CTC-2696483K	175.38
MODEL 963B, 963C							
CLAMP							
	8J8498		P-V-10	2	4-1/2	CTC-1328783	102.41

REPLACEMENT KITS FOR CATERPILLAR® EQUIPMENT

Crawler Loaders							
APPLICATION	CYL #	Misc-Parts, Instructions, etc.	CODE	ROD	BORE	KIT #	List \$
MODEL 963B, 963C							
LIFT			P-UB-10	2-3/4	5-1/2	CTC-2601518	168.74
RIPPER	1228420		P-UB-10	2-1/4	4-1/2	CTC-1326770	198.07
RIPPER RH	1228421		P-UB-10	2-1/4	4-1/2	CTC-1326770	198.07
TILT	3G3874		P-UB-10	3-3/4	6-1/2	CTC-7X2731	355.31
MODEL 963D							
BUCKET MP							
	LCS1-UP						
	2929043		P-UB-10	2	4-1/2	CTC-3260501	148.92
LIFT LH	LCS1-UP						
	2469101		P-UB-10	3	5	CTC-2469101K	146.45
LIFT RH	LCS1-UP						
	2940509		P-UB-10	3	5	CTC-2940509K	149.82
RIPPER LH	8XR1-UP						
	2860813		P-UB-10	2-1/4	4-1/2	CTC-3110662	94.49
RIPPER RH	8XR1-UP						
	2860812		P-UB-10	2-1/4	4-1/2	CTC-3110662	94.49
TILT	LCS1-UP						
	2940510		P-UB-10	95 mm	150 mm	CTC-2940510K	281.05
MODEL 973C							
BUCKET							
	9J1822		P-UB-10	2	5	CTC-7X2788	162.73
RIPPER	4T7606		P-UB-10	2-1/2	5	CTC-7X2658	230.88
TILT	3G5949		P-UB-10	3-1/4	5-1/2	CTC-7X2712	127.07
Dump Trucks - Articulated							
APPLICATION	CYL #	Misc-Parts, Instructions, etc.	CODE	ROD	BORE	KIT #	List \$
MODEL 725							
HOIST							
	AFX1-; B1L1-						
	2414071		P-UB-10	3	4-1/2	CTC-2414071K	155.17
	B1L1-; WWA1-						
	2854031		P-UB-10	3	4-1/2	CTC-2854031K	167.69
STEERING LH							
	AFX1-329						
	1915337		P-UB-10	2	3-1/2	CTC-1857674	141.24
	AFX330-359						
	2095024		P-UB-10	2	3-1/2	CTC-2281778	106.58
	AFX360-418						
	2110604		P-UB-10	2	3-1/2	CTC-2281778	106.58
	AFX419-472						
	2126258		P-UB-10	2	3-1/2	CTC-2281778	106.58
	AFX473-						
	2153024		P-UB-10	2	3-1/2	CTC-2281778	106.58
	AFX473-; B1L1-2127						
	2733267		P-UB-10	2	3-1/2	CTC-2281778	106.58

CATERPILLAR®

REPLACEMENT KITS FOR CATERPILLAR® EQUIPMENT

Dump Trucks - Articulated							
APPLICATION	CYL #	Misc-Parts, Instructions, etc.	CODE	ROD	BORE	KIT #	List \$
MODEL 725							
STEERING LH							
B1L2128-2332; WWA1-							
	3316042		P-UB-10	2	3-1/2	CTC-2281778	106.58
B1L2333-; WWA1-							
	3498518		P-UB-10	2	3-1/2	CTC-2281778	106.58
STEERING RH							
AFX1-329							
	1915336		P-UB-10	2	3-1/2	CTC-1857674	141.24
AFX330-359							
	2095023		P-UB-10	2	3-1/2	CTC-2281778	106.58
AFX360-418							
	2110603		P-UB-10	2	3-1/2	CTC-2281778	106.58
AFX419-472							
	2126257		P-UB-10	2	3-1/2	CTC-2281778	106.58
AFX473-							
	2153023		P-UB-10	2	3-1/2	CTC-2281778	106.58
AFX473-; B1L1-2127							
	2733266		P-UB-10	2	3-1/2	CTC-2281778	106.58
B1L2128-2332; WWA1-							
	3316041		P-UB-10	2	3-1/2	CTC-2281778	106.58
B1L2333-; WWA1-							
	3498517		P-UB-10	2	3-1/2	CTC-2281778	106.58
SUSPENSION							
AFX1001-; B1L1-2664; WWA1-							
	2004300		P-UB-10	4-1/2	150 mm	CTC-4160092	226.17
AFX1-1000							
	1468928		P-UB-10	4-1/2	150 mm	CTC-4160092	226.17
SUSPENSION FRONT							
AFX1001-; B1L2665-							
	3414122		P-UB-10	4-1/2	150 mm	CTC-4160092	226.17
TAILGATE							
AFX1-856							
	1512611		P-UB-10	2	3	CTC-1857667	116.13
MODEL 730							
HOIST							
AGF1-; B1M1-							
	2414062		P-UB-10	3	5	CTC-2414062K	175.58
B1M1-; WWB1-							
	2854032		P-UB-10	3	5	CTC-2854032K	196.32
STEERING LH							
AGF1-371							
	1915337		P-UB-10	2	3-1/2	CTC-1857674	141.24
AGF372-407							
	2095024		P-UB-10	2	3-1/2	CTC-1857674	141.24
AGF408-442							
	2110604		P-UB-10	2	3-1/2	CTC-1857674	141.24
AGF443-475							
	2126258		P-UB-10	2	3-1/2	CTC-2281778	106.58
AGF476-							
	2153024		P-UB-10	2	3-1/2	CTC-2281778	106.58
AGF476-; B1M1-2342; B1W1-349							
	2733267		P-UB-10	2	3-1/2	CTC-2281778	106.58
B1M2343-2713; B1W350-366; WWB1-							
	3316042		P-UB-10	2	3-1/2	CTC-2281778	106.58
B1M2714-; B1W367-; WWB1-							
	3498518		P-UB-10	2	3-1/2	CTC-2281778	106.58

REPLACEMENT KITS FOR CATERPILLAR® EQUIPMENT

Dump Trucks - Articulated							
APPLICATION	CYL #	Misc-Parts, Instructions, etc.	CODE	ROD	BORE	KIT #	List \$
MODEL 730							
STEERING RH							
AGF1-371							
1915336			P-UB-10	2	3-1/2	CTC-1857674	141.24
AGF372-407							
2095023			P-UB-10	2	3-1/2	CTC-1857674	141.24
AGF408-442							
2110603			P-UB-10	2	3-1/2	CTC-1857674	141.24
AGF443-475							
2126257			P-UB-10	2	3-1/2	CTC-2281778	106.58
AGF476-							
2153023			P-UB-10	2	3-1/2	CTC-2281778	106.58
AGF476-; B1M1-2342; B1W1-349							
2733266			P-UB-10	2	3-1/2	CTC-2281778	106.58
B1M2343-2713; B1W350-366; WWB1-							
3316041			P-UB-10	2	3-1/2	CTC-2281778	106.58
B1M2714-; B1W367-; WWB1-							
3498517			P-UB-10	2	3-1/2	CTC-2281778	106.58
SUSPENSION							
AGF1-933							
1468928			P-UB-10	4-1/2	150 mm	CTC-4160092	226.17
AGF934-; B1M1-; B1W1-; WWB1-							
2004300			P-UB-10	4-1/2	150 mm	CTC-4160092	226.17
SUSPENSION FRONT							
AGF934-; B1M1-; B1W407-							
3414122			P-UB-10	4-1/2	150 mm	CTC-4160092	226.17
TAIL GATE							
B1W1-							
2037847	HEAD 1662843		P-U-10	45 mm	75 mm	CTC-4398573	64.13
TAILGATE							
AGF1-796							
1512611			P-UB-10	2	3	CTC-1857667	116.13
MODEL 740							
HOIST							
AXM1-; B1P1-156							
1416667			P-UB-10	3-1/2	5-1/2	CTC-4160066	219.06
B1P157-							
2414068			P-UB-10	3-1/2	5-1/2	CTC-4160066	219.06
B1P157-; WWD1-							
2854034			P-UB-10	3-1/2	5-1/2	CTC-2854034K	219.06
STEERING							
AXM823-; AZZ292-; B1P1-; B1R1-; WWD1-							
2231335			P-UB-10	55 mm	4-1/2	CTC-2179894	167.45
STEERING LH							
AXM1-822; AZZ1-291							
2153026			P-UB-10	55 mm	4-1/2	CTC-2179894	167.45
STEERING RH							
AXM369-822; AZZ264-291							
2153025			P-UB-10	55 mm	4-1/2	CTC-2179894	167.45
SUSPENSION							
AXM1-1182; AZZ1-327							
1468928			P-UB-10	4-1/2	150 mm	CTC-4160092	226.17
SUSPENSION FRONT							
AXM1183-; AZZ328-; B1P1-; B1R1-; WWD1-							
2282758			P-UB-10	4-1/2	150 mm	CTC-4160092	226.17
B1P1-; B1R1-							
3414124			P-UB-10	4-1/2	150 mm	CTC-4160092	226.17

CATERPILLAR®

REPLACEMENT KITS FOR CATERPILLAR® EQUIPMENT

Dump Trucks - Articulated							
APPLICATION	CYL #	Misc-Parts, Instructions, etc.	CODE	ROD	BORE	KIT #	List \$
MODEL 740							
TAILGATE							
	AXM1-967						
	1512611		P-UB-10	2	3	CTC-1857667	116.13
	AZZ1-; B1R1-						
	1677329		P-UB-10	2	3	CTC-2384462	61.50
MODEL D25D							
STEERING							
	1433299		I-UB-10	2	4-1/2	CTC-1857699	295.21
	1453620		P-UB-10	2	4-1/2	CTC-1857700	133.23
	7U2910		I-U-5	2	4-1/2	CTC-6U9552	306.07
SUSPENSION							
	1049660		P-UB-10	3-1/2	4-1/2	CTC-1942756	453.42
SUSPENSION REAR							
	7U9538		I-UB-10	2	4-1/2	CTC-7U9545	423.79
UNSPECIFIED APPLICATION							
	1511179		P-UB-10	3-1/2	4-1/2	CTC-1944399	335.31
	5U7777		I-U-3	3-1/2	5-1/2	CTC-5U7775	441.44
MODEL D30D							
STEERING							
	1433299		I-UB-5	2	4-1/2	CTC-1721689	250.86
	1453620		P-UB-10	2	4-1/2	CTC-1721690	66.67
	7U2910		I-U-5	2	4-1/2	CTC-6U9552	306.07
SUSPENSION							
	1049660		P-UB-4	3-1/2	4-1/2	CTC-1417975	219.32
	2U9448		I-U-10	4	4-1/2	CTC-1045008	381.82
SUSPENSION REAR							
	7U9538		I-UB-10	2	4-1/2	CTC-7U9545	423.79
UNSPECIFIED APPLICATION							
	5U7777		I-U-3	3-1/2	5-1/2	CTC-5U7775	441.44
	7U9508		I-U-10	4	4-1/2	CTC-1045008	381.82
MODEL D35HP							
HOIST							
	5U7777		I-U-3	3-1/2	5-1/2	CTC-5U7775	441.44
STEERING							
	6U1040		I-U-5	2	4-1/2	CTC-6U9552	306.07
MODEL D35HPC							
STEERING							
	7U2910		I-U-5	2	4-1/2	CTC-6U9552	306.07
UNSPECIFIED APPLICATION							
	5U7777		I-U-3	3-1/2	5-1/2	CTC-5U7775	441.44
	6U4161		I-U-10	4	4-1/2	CTC-1045008	381.82
	7U2910		I-U-5	2	4-1/2	CTC-6U9552	306.07
MODEL D250D							
HOIST							
	1478507		P-UB-10	2-3/4	4	CTC-1944397	226.83
	7U6405		I-U-10	2-3/4	4	CTC-7U8075	266.34
SUSPENSION							
	7U7230		P-UB-10	4	4-1/2	CTC-1944396	334.62
UNSPECIFIED APPLICATION							
	1340006		P-UB-10	4	4-1/2	CTC-1944396	334.62
	1512611		P-UB-10	2	3	CTC-1857667	116.13
MODEL D250E							
HOIST							
	1218785		I-U-10	2-3/4	4	CTC-1915027	161.05
	1256187		P-UB-10	3	4	CTC-1315423	261.92
	1478507		P-UB-10	2-3/4	4	CTC-1944397	226.83

REPLACEMENT KITS FOR CATERPILLAR® EQUIPMENT

Dump Trucks - Articulated							
APPLICATION	CYL #	Misc-Parts, Instructions, etc.	CODE	ROD	BORE	KIT #	List \$
MODEL D250E							
STEERING							
	1185432		N-UB-10	2	4	CTC-1857687	196.52
	1466651		N-UB-10	2	4	CTC-1857687	196.52
SUSPENSION							
	1185432		N-UB-10	2	4	CTC-1857687	196.52
UNSPECIFIED APPLICATION							
	1340006		P-UB-10	4	4-1/2	CTC-1944396	334.62
	1447657		P-UB-10	4	4-1/2	CTC-1944396	334.62
	1512611		P-UB-10	2	3	CTC-1857667	116.13
	7U7230		P-UB-10	4	4-1/2	CTC-1944396	334.62
MODEL D300B AG, D300B CANE H							
STEERING							
	5U9000		I-U-5	2	4-1/2	CTC-6U9552	306.07
MODEL D350D							
HOIST							
	1434850		P-UB-10	3-1/2	5-1/2	CTC-1721691	235.76
STEERING							
	1433299		I-UB-5	2	4-1/2	CTC-1721689	250.86
	1453620		P-UB-10	2	4-1/2	CTC-1721690	66.67
SUSPENSION							
	1049660		P-UB-4	3-1/2	4-1/2	CTC-1417975	219.32
SUSPENSION REAR							
	7U9538		I-UB-5	2	4-1/2	CTC-1721689	250.86
MODEL D350D, D350E							
STEERING							
	7U2910		I-U-5	2	4-1/2	CTC-6U9552	306.07
SUSPENSION							
	2U8060		I-U-10	4	4-1/2	CTC-1045008	381.82
	7U7198		I-U-10	4	4-1/2	CTC-1045008	381.82
SUSPENSION REAR							
	7U9538		I-UB-10	2	4-1/2	CTC-7U9545	423.79
UNSPECIFIED APPLICATION							
	5U7773		I-U-3	3-1/2	5-1/2	CTC-5U7775	441.44
	7U2476		I-U-10	4	4-1/2	CTC-7U2486	408.95
MODEL D350E							
HOIST							
	1434850		P-UB-10	3-1/2	5-1/2	CTC-1721691	235.76
STEERING							
	1433299		I-UB-5	2	4-1/2	CTC-1721689	250.86
	1453620		P-UB-10	2	4-1/2	CTC-1721690	66.67
SUSPENSION							
	1049660		P-UB-4	3-1/2	4-1/2	CTC-1417975	219.32
SUSPENSION REAR							
	7U9538		I-UB-5	2	4-1/2	CTC-1721689	250.86
MODEL D400							
HOIST							
	1434850		P-UB-10	3-1/2	5-1/2	CTC-1721691	235.76
	5U7773		I-U-3	3-1/2	5-1/2	CTC-5U7775	441.44
STEERING							
	6U1040		I-U-5	2	4-1/2	CTC-6U9552	306.07
	7U2910		I-U-5	2	4-1/2	CTC-6U9552	306.07
MODEL D400D							
STEERING							
	7U2910		I-U-5	2	4-1/2	CTC-6U9552	306.07

CATERPILLAR®

REPLACEMENT KITS FOR CATERPILLAR® EQUIPMENT

Dump Trucks - Articulated							
APPLICATION	CYL #	Misc-Parts, Instructions, etc.	CODE	ROD	BORE	KIT #	List \$
MODEL D400D							
SUSPENSION							
	1049660		P-UB-10	3-1/2	4-1/2	CTC-1942756	453.42
	2U8060		I-U-10	4	4-1/2	CTC-1045008	381.82
	7U7198		I-U-10	4	4-1/2	CTC-1045008	381.82
SUSPENSION REAR							
	7U9538		I-UB-10	2	4-1/2	CTC-7U9545	423.79
MODEL D400E							
HOIST							
	1416667		P-UB-10	3-1/2	5-1/2	CTC-4160066	219.06
	1434850		P-UB-10	3-1/2	5-1/2	CTC-1890263	337.27
STEERING							
	1433299		I-UB-10	2	4-1/2	CTC-1857699	295.21
	1453620		P-UB-10	2	4-1/2	CTC-1857700	133.23
	7U2910		I-U-5	2	4-1/2	CTC-6U9552	306.07
SUSPENSION							
	1049660		P-UB-10	3-1/2	4-1/2	CTC-1942756	453.42
	2U8060		I-U-10	4	4-1/2	CTC-1045008	381.82
	7U7198		I-U-10	4	4-1/2	CTC-1045008	381.82
SUSPENSION REAR							
	7U9538		I-UB-10	2	4-1/2	CTC-1857699	295.21
UNSPECIFIED APPLICATION							
	1331584		P-UB-10	4	4-1/2	CTC-1944398	314.86
	1511179		P-UB-10	3-1/2	4-1/2	CTC-1944399	335.31
	1512611		P-UB-10	2	3	CTC-1857667	116.13
	5U7773		I-U-3	3-1/2	5-1/2	CTC-5U7775	441.44
	7U2476		I-U-10	4	4-1/2	CTC-7U2486	408.95
Excavators							
APPLICATION	CYL #	Misc-Parts, Instructions, etc.	CODE	ROD	BORE	KIT #	List \$
MODEL 245, 245B							
BOOM							
	1024212		P-UB-14	4-3/4	7	CTC-8T1567	327.00
	3G3524		P-UB-10	4-3/4	7-1/4	CTC-8T1545	396.35
	3G4615		P-UB-10	5	6	CTC-8T1909	459.59
	8J3720		P-UB-14	4-3/4	7	CTC-8T1567	327.00
	9J5379		P-UB-14	4-3/4	7	CTC-8T1567	327.00
	9T9358		P-UB-10	4-3/4	7-1/4	CTC-8T1545	396.35
BOTTOM DUMP							
	1U1659		P-UB-10	3-1/2	7-3/4	CTC-9X2644	269.94
BUCKET							
	1U1646		P-UB-14	4-3/4	7	CTC-8T1565	336.66
	1U1646		P-UB-14	4-3/4	7	CTC-8T1567	327.00
	1U1659		P-UB-10	3-1/2	7-3/4	CTC-9X2644	269.94
	8J8721		P-UB-10	4-3/4	7	CTC-1371946	412.20
	8J8721		P-UB-14	4-3/4	7	CTC-8T1565	336.66
	9J7755		P-UB-10	5-3/4	7	CTC-8C4398	504.62
	9J9398		P-UB-10	5-3/4	7	CTC-8C4398	504.62
COUNTERWEIGHT							
	8J6167		P-UB-10	2-1/2	5	CTC-7X2658	230.88
LIFT							
	8J6167		P-UB-10	2-1/2	5	CTC-1315118	233.60
	8J6167		P-UB-10	2-1/2	5	CTC-7X2658	230.88

REPLACEMENT KITS FOR CATERPILLAR® EQUIPMENT

Excavators							
APPLICATION	CYL #	Misc-Parts, Instructions, etc.	CODE	ROD	BORE	KIT #	List \$
MODEL 245, 245B							
STICK							
	1011908		P-UB-10	5-3/4	8-1/4	CTC-3E8880	830.75
	3G2778		P-UB-10	5-3/4	8-1/4	CTC-3E8880	830.75
	3G2778		P-UB-10	5-3/4	8-1/4	CTC-8T1558	840.18
	6E5093		P-UB-10	5-3/4	8-1/4	CTC-3E8880	830.75
	9T1388		P-UB-10	5-3/4	8-1/4	CTC-3E8880	830.75
	9T1388		P-UB-10	5-3/4	8-1/4	CTC-8T1558	840.18
	9T9356		P-UB-10	5-3/4	8-1/4	CTC-3E8880	830.75
TRACK ADJUSTER							
			TRK ADJ			CTC-FIG0405	149.06
MODEL 302.5							
BLADE							
	4AZ1-4947						
	1662835		P-U-10	45 mm	75 mm	CTC-2697190	67.99
	4AZ4948-UP						
	2126335		P-U-10	45 mm	75 mm	CTC-2697190	67.99
BOOM							
	4AZ1-329						
	1509211		P-U-10	45 mm	75 mm	CTC-1509211K	72.97
	4AZ330-4822						
	1794969		P-U-10	45 mm	75 mm	CTC-4288641	72.97
	4AZ4823-UP						
	2126337		P-U-10	45 mm	75 mm	CTC-4288641	72.97
BUCKET							
	4AZ1-4828						
	1513187		P-U-10	35 mm	65 mm	CTC-2698599	70.68
	4AZ1-UP						
	2269959		P-U-10	35 mm	65 mm	CTC-2698599	70.68
	4AZ4829-5653						
	2126328		P-U-10	35 mm	65 mm	CTC-2126328K	70.68
BUCKET TILT							
	4AZ1-UP						
	2443074		P-U-10	30 mm	60 mm	CTC-1608546	70.53
STICK							
	4AZ1-4828						
	1512460		P-U-10	40 mm	70 mm	CTC-4288674	61.45
	4AZ1-UP						
	2374079		P-U-10	40 mm	70 mm	CTC-2702668	59.96
	4AZ4829-5653						
	2126329		P-U-10	40 mm	70 mm	CTC-2126329K	59.96
	2373542		P-U-10	40 mm	70 mm	CTC-2702668	59.96
SWING BOOM							
	4AZ1-4822						
	1511266		P-U-10	45 mm	75 mm	CTC-4288651	78.17
	1724223		P-U-10	45 mm	75 mm	CTC-1724223K	68.99
	4AZ4823-UP						
	2126336		P-U-10	45 mm	75 mm	CTC-2697190	67.99
MODEL 302.5C							
BOOM							
	GBB1-UP						
	2126337		P-U-10	45 mm	75 mm	CTC-4288641	72.97
BUCKET							
	GBB1-UP						
	2269959		P-U-10	35 mm	65 mm	CTC-2698599	70.68

CATERPILLAR®

REPLACEMENT KITS FOR CATERPILLAR® EQUIPMENT

Excavators							
APPLICATION	CYL #	Misc-Parts, Instructions, etc.	CODE	ROD	BORE	KIT #	List \$
MODEL 302.5C							
LIFT							
	GBB1-UP						
	2309267		P-U-10	45 mm	85 mm	CTC-2309267K	110.12
STICK							
	GBB1-UP						
	2374079		P-U-10	40 mm	70 mm	CTC-2702668	59.96
SWING BOOM							
	GBB1-1897						
	2126336		P-U-10	45 mm	75 mm	CTC-2697190	67.99
	GBB1898-UP						
	2935360		P-U-10	45 mm	75 mm	CTC-2697190	67.99
MODEL 303 C CR							
BLADE ANGLE							
	BXT1-UP						
			P-U-10	35 mm	65 mm	CTC-2839122	58.75
			Bushing	35 mm		CTC-2032343	11.32
BLADE RAISE LOWER							
	BXT1-UP						
	2666979		P-U-10	45 mm	80 mm	CTC-2788641	100.77
	2666979		Bushing	45 mm		CTC-2378377	21.38
BOOM							
	BXT1-UP						
	2737033		P-U-10	45 mm	80 mm	CTC-2788641	100.77
	2737033		Bushing	45 mm		CTC-2378377	21.38
	2840420		P-U-10	45 mm	80 mm	CTC-2788641	100.77
	2840420		Bushing	45 mm		CTC-2378377	21.38
	2855034		P-U-10	50 mm	85 mm	CTC-2790639	118.56
BUCKET							
	BXT1-UP						
	2666973		P-U-10	40 mm	70 mm	CTC-2519845	96.61
	2778672		P-U-10	40 mm	70 mm	CTC-2519845	96.61
STICK							
	BXT1-UP						
	2840863		P-U-10	45 mm	80 mm	CTC-2797940	107.54
	2840863		Bushing	45 mm		CTC-2378377	21.38
TILTABLE BUCKET							
	BXT1-UP						
	2460192		P-UB-10	1-1/2	3	CTC-2350354	47.14
MODEL 303.5							
BLADE							
	AFW1-UP; DCH1-UP						
	1636935		P-U-10	50 mm	90 mm	CTC-2765739	162.25
BOOM							
	AFW1-UP						
	1637006		P-U-10	45 mm	80 mm	CTC-1637006K	145.31
BUCKET							
	AFW1-UP; DCH1-UP						
	1637008		P-U-10	40 mm	70 mm	CTC-2723225	197.42
STICK							
	AFW1-UP; DCH1-UP						
	1636936		P-U-10	45 mm	75 mm	CTC-2725225	209.26
SWING BOOM							
	AFW1-UP; DCH1-UP						
	1637007		P-U-10	45 mm	80 mm	CTC-2765938	142.10

REPLACEMENT KITS FOR CATERPILLAR® EQUIPMENT

Excavators							
APPLICATION	CYL #	Misc-Parts, Instructions, etc.	CODE	ROD	BORE	KIT #	List \$
MODEL 303.5C CR							
BLADE ANGLE							
DMY1-UP							
2866384			P-U-10	35 mm	65 mm	CTC-2839122	58.75
2866384			Bushing	35 mm		CTC-2032343	11.32
BLADE RAISE LOWER							
DMY1-UP							
2666979			P-U-10	45 mm	80 mm	CTC-2788641	100.77
2666979			Bushing	45 mm		CTC-2378377	21.38
2666979			Link Pin Seal			CTC-1920638	10.14
2666979			Link Pin Seal			CTC-1920638	10.14
BOOM							
DMY1-UP							
2737030			P-U-10	50 mm	85 mm	CTC-2812321	104.10
2843369			P-U-10	50 mm	85 mm	CTC-2812321	104.10
2843369			Link Pin Seal			CTC-1920638	10.14
2843369			Link Pin Seal			CTC-1920638	10.14
BUCKET							
DMY1-UP							
2460192			P-UB-10	1-1/2	3	CTC-2350354	47.14
2666971			P-U-10	45 mm	75 mm	CTC-2812322	95.84
2666971			Bushing	45 mm		CTC-2378377	21.38
2666971			Link Pin Seal			CTC-1920638	10.14
2666971			Link Pin Seal			CTC-1920638	10.14
2779900			P-U-10	45 mm	75 mm	CTC-2812322	95.84
2779900			Bushing	45 mm		CTC-2378377	21.38
2779900			Link Pin Seal			CTC-1920638	10.14
2779900			Link Pin Seal			CTC-1920638	10.14
STICK							
DMY1-UP							
2840883			P-U-10	50 mm	80 mm	CTC-2812323	103.73
2840883			Link Pin Seal			CTC-1920638	10.14
2840883			Link Pin Seal			CTC-1920638	10.14
SWING BOOM							
DMY1-UP							
2843909			P-U-10	50 mm	85 mm	CTC-2790639	118.56
2843909			Link Pin Seal			CTC-1920638	10.14
2843909			Link Pin Seal			CTC-1920638	10.14
MODEL 303CR							
BLADE							
DMA1-UP							
1937859			P-U-10	45 mm	85 mm	CTC-2765210	99.51
BOOM							
DMA1-UP							
1987021			P-U-10	50 mm	80 mm	CTC-2765302	155.78
BUCKET							
DMA1-UP							
2037172			P-U-10	40 mm	65 mm	CTC-2714484	61.07
2190541			P-U-10	40 mm	65 mm	CTC-2190541K	62.44
2390837			P-U-10	40 mm	65 mm	CTC-2714484	61.07
STICK							
DMA1-UP							
1937852			P-U-10	45 mm	75 mm	CTC-2712173	97.83
2763879			P-U-10	45 mm	75 mm	CTC-2763879K	100.03
SWING BOOM							
DMA1-UP							
1937855			P-U-10	45 mm	80 mm	CTC-2765284	84.87

CATERPILLAR®

REPLACEMENT KITS FOR CATERPILLAR® EQUIPMENT

Excavators							
APPLICATION	CYL #	Misc-Parts, Instructions, etc.	CODE	ROD	BORE	KIT #	List \$
MODEL 303CR							
TILT							
	DMA1-UP						
	2460192		P-UB-10	1-1/2	3	CTC-2350354	47.14
MODEL 304 C CR							
BLADE ANGLE							
	FPK1-UP						
	2704714		P-U-10	35 mm	65 mm	CTC-2839122	58.75
	2704714		Bushing	35 mm		CTC-2032343	11.32
BLADE RAISE LOWER							
	FPK1-UP						
	2937158		P-U-10	55 mm	90 mm	CTC-4308918	166.46
BOOM							
	FPK1-UP						
	2666975		P-U-10	55 mm	90 mm	CTC-4308918	166.46
	2709475		P-UB-14	55 mm	95 mm	CTC-2773395	132.95
	2828548		P-UB-14	55 mm	95 mm	CTC-2773395	132.95
BUCKET							
	FPK1-UP						
	2666969		P-UB-14	45 mm	75 mm	CTC-2774167	191.76
STICK							
	FPK1-UP						
	2828550		P-UB-14	50 mm	85 mm	CTC-2774140	112.12
TILTABLE BUCKET							
	FPK1-UP						
	2460192		P-UB-10	1-1/2	3	CTC-2350354	47.14
MODEL 304.5							
BLADE							
	ANR1-UP; WAK1-UP						
	1636973		P-U-10	50 mm	100 mm	CTC-1934324	174.70
BOOM							
	ANR1-UP; WAK1-UP						
	1636970		P-U-10	50 mm	85 mm	CTC-1934321	184.90
BUCKET							
	ANR1-UP; WAK1-UP						
	1636972		P-U-10	45 mm	75 mm	CTC-1934323	99.97
STICK							
	ANR1-UP; WAK1-UP						
	1708945		P-U-10	50 mm	80 mm	CTC-1934325	159.24
SWING BOOM							
	ANR1-UP; WAK1-UP						
	1636971		P-U-10	50 mm	90 mm	CTC-1934322	122.18
MODEL 304CR							
BLADE							
	NAD1-UP						
	2153747		P-U-10	55 mm	100 mm	CTC-2167247	184.75
BLADE ANGLE							
	NAD1-UP						
	2704714		P-U-10	35 mm	65 mm	CTC-2839122	58.75
	2704714		Bushing	35 mm		CTC-2032343	11.32
BOOM							
	NAD1-UP						
	2099617		P-U-10	50 mm	85 mm	CTC-2167644	120.59
	2160991		P-U-10	55 mm	95 mm	CTC-2199066	220.45
BUCKET							
	NAD1-UP						
	2180511		P-U-10	45 mm	70 mm	CTC-2168100	260.53
	2397706		P-U-10	45 mm	70 mm	CTC-2168100	260.53

REPLACEMENT KITS FOR CATERPILLAR® EQUIPMENT

Excavators							
APPLICATION	CYL #	Misc-Parts, Instructions, etc.	CODE	ROD	BORE	KIT #	List \$
MODEL 304CR							
BUCKET							
STICK							
NAD1-UP							
	2081152		P-U-10	55 mm	85 mm	CTC-2171643	195.52
MODEL 305 C CR							
BLADE							
HWJ1-834							
	2666977		P-U-10	55 mm	90 mm	CTC-4308918	166.46
	2666977		Bushing	55 mm		CTC-2725664	23.29
HWJ1-UP							
	2937158		P-U-10	55 mm	90 mm	CTC-4308918	166.46
	2937158		Bushing	55 mm		CTC-2725664	23.29
BLADE ANGLE							
HWJ1-UP							
	2704714		P-U-10	35 mm	65 mm	CTC-2839122	58.75
	2704714		Bushing	35 mm		CTC-2032343	11.32
BOOM							
HWJ1-UP							
	2666975		P-U-10	55 mm	90 mm	CTC-4308918	166.46
	2666975		Bushing	55 mm		CTC-2725664	23.29
	2737025		P-U-10	55 mm	100 mm	CTC-2737025K	150.74
	2737025		Bushing	55 mm		CTC-2725641	17.41
	2821535		P-U-10	55 mm	100 mm	CTC-4307589	125.73
	2821535		Bushing	55 mm		CTC-2725641	17.41
BUCKET							
HWJ1-UP							
	2666967		P-U-10	50 mm	80 mm	CTC-4308744	116.80
	2666967		Bushing	50 mm		CTC-2218270	19.72
STICK							
HWJ1-UP							
	2821537		P-U-10	55 mm	90 mm	CTC-4308918	166.46
	2821537		Bushing	55 mm		CTC-2725664	23.29
TILTABLE BUCKET							
HWJ1-UP							
	2460192		P-UB-10	1-1/2	3	CTC-2350354	47.14
MODEL 305CR							
BLADE							
DGT1-UP; DSA244-UP							
	2153747		P-U-10	55 mm	100 mm	CTC-2167247	184.75
DSA1-243							
	1911962		P-U-10	55 mm	100 mm	CTC-1992402	121.98
BLADE ANGLE							
DGT1-UP							
	2704714		P-U-10	35 mm	65 mm	CTC-2839122	58.75
	2704714		Bushing	35 mm		CTC-2032343	11.32
BOOM							
DGT1-UP; DSA1-UP							
	1911958		P-U-10	55 mm	100 mm	CTC-1989433	119.87
BUCKET							
DGT1-UP; DSA1-UP							
	2152232		P-U-10	45 mm	75 mm	CTC-1991149	95.89
STICK							
DGT1-UP; DSA1-UP							
	1911959		P-U-10	55 mm	85 mm	CTC-1990609	113.76

REPLACEMENT KITS FOR CATERPILLAR® EQUIPMENT

Excavators							
APPLICATION	CYL #	Misc-Parts, Instructions, etc.	CODE	ROD	BORE	KIT #	List \$
MODEL 305CR							
SWING BOOM							
		DGT1-UP; DSA1-UP					
	1911961		P-U-10	50 mm	90 mm	CTC-1992097	132.34
MODEL 307							
BLADE LH							
	1076377		P-UB-15	50 mm	90 mm	CTC-0933045	353.14
	1148378		P-UB-15	50 mm	90 mm	CTC-0933045	353.14
BLADE RH							
	1076472		P-UB-15	50 mm	90 mm	CTC-0933045	353.14
	1148377		P-UB-15	50 mm	90 mm	CTC-0933045	353.14
BOOM							
	1038195		P-UB-14	75 mm	110 mm	CTC-1057255	373.24
	1057468		P-UB-14	55 mm	100 mm	CTC-1057480	289.76
	1239937		P-UB-14	55 mm	100 mm	CTC-1057480	289.76
BUCKET							
	1057238		P-UB-14	55 mm	80 mm	CTC-1057253	253.34
OFFSET							
	1057468		P-UB-14	55 mm	100 mm	CTC-1057480	289.76
	1239937		P-UB-14	55 mm	100 mm	CTC-1057480	289.76
STICK							
	1038320		P-UB-14	60 mm	90 mm	CTC-1038333	339.92
	1057437		P-UB-14	60 mm	90 mm	CTC-1038333	339.92
	1251494		P-UB-14	60 mm	90 mm	CTC-1038333	339.92
MODEL 307B							
BLADE							
	1231627		P-UB-10	80 mm	120 mm	CTC-1697835	296.58
	1624835		P-UB-10	80 mm	120 mm	CTC-1697835	296.58
BOOM							
	1336759		P-UB-14	75 mm	110 mm	CTC-1697826	182.56
	1437980		P-UB-14	75 mm	110 mm	CTC-1697826	182.56
	1505901		P-UB-14	55 mm	100 mm	CTC-1697829	195.87
BUCKET							
	1057238		P-UB-14	55 mm	80 mm	CTC-1057253	253.34
	1336765		P-UB-14	55 mm	80 mm	CTC-1697828	205.77
OFFSET							
	1239937		P-UB-14	55 mm	100 mm	CTC-1057480	289.76
STICK							
	1038320		P-UB-14	60 mm	90 mm	CTC-1038333	339.92
	1475903		P-UB-14	60 mm	90 mm	CTC-1697827	283.54
	1505899		P-UB-14	60 mm	90 mm	CTC-1697827	283.54
SWING							
	1437981		P-UB-10	65 mm	100 mm	CTC-1697830	157.72
MODEL 307C							
BLADE							
			P-UB-10	80 mm	120 mm	CTC-1697835	296.58
		BCM1-UP; BNE1-UP					
	1799671		P-UB-10	80 mm	120 mm	CTC-1697835	296.58
	1799671		Bushing	80 mm		CTC-1140755	43.12
	2358256		P-UB-10	80 mm	120 mm	CTC-1697835	296.58
	2358256		Bushing	80 mm		CTC-1140755	43.12

REPLACEMENT KITS FOR CATERPILLAR® EQUIPMENT

Excavators							
APPLICATION	CYL #	Misc-Parts, Instructions, etc.	CODE	ROD	BORE	KIT #	List \$
MODEL 307C							
BOOM							
BCM1-UP							
1659273			P-UB-14	75 mm	110 mm	CTC-1697826	182.56
1659273			Bushing	75 mm		CTC-1140750	39.31
1935230			P-UB-14	75 mm	110 mm	CTC-1697826	182.56
1935230			Bushing	75 mm		CTC-1140750	39.31
2357905			P-UB-14	75 mm	110 mm	CTC-1697826	182.56
2357905			Bushing	75 mm		CTC-1140750	39.31
2358249			P-UB-14	75 mm	110 mm	CTC-1697826	182.56
2358249			Bushing	75 mm		CTC-1140750	39.31
2358264			P-UB-14	55 mm	100 mm	CTC-1697829	195.87
2358264			Bushing	55 mm		CTC-1140752	23.29
3044904			P-UB-14	75 mm	110 mm	CTC-1697826	182.56
3044904			Bushing	75 mm		CTC-1140750	39.31
3044909			P-UB-14	75 mm	110 mm	CTC-1697826	182.56
3044909			Bushing	75 mm		CTC-1140750	39.31
BNE1-UP							
2357921			P-UB-14	75 mm	110 mm	CTC-1697826	182.56
2357921			Bushing	75 mm		CTC-1140750	39.31
2557799	Variable Adjustable Boom		P-UB-14	55 mm	100 mm	CTC-1697829	195.87
2557799	Variable Adjustable Boom		Bushing	55 mm		CTC-1140752	23.29
2557801	Variable Adjustable Boom		P-UB-14	75 mm	110 mm	CTC-1697826	182.56
2557801	Variable Adjustable Boom		Bushing	75 mm		CTC-1140750	39.31
3044912			P-UB-14	75 mm	110 mm	CTC-1697826	182.56
3044912			Bushing	75 mm		CTC-1140750	39.31
3044913	Variable Adjustable Boom		P-UB-14	75 mm	110 mm	CTC-1697826	182.56
3044913	Variable Adjustable Boom		Bushing	75 mm		CTC-1140750	39.31
3044915	Variable Adjustable Boom		P-UB-14	55 mm	100 mm	CTC-1697829	195.87
3044915	Variable Adjustable Boom		Bushing	55 mm		CTC-1140752	23.29
BUCKET							
BCM1-UP; BNE1-UP							
1659279			P-UB-14	55 mm	80 mm	CTC-1697828	205.77
1659279			Bushing	55 mm		CTC-1140752	23.29
3044908			P-UB-14	55 mm	80 mm	CTC-1697828	205.77
3044908			Bushing	55 mm		CTC-1140752	23.29
CAB RISER							
BCM1-UP; BNE1-UP							
2358287			P-UB-14	60 mm	90 mm	CTC-1697827	283.54
2358287			Bushing	60 mm		CTC-1140751	30.71
OFFSET							
BCM1-UP							
1799711			P-UB-14	55 mm	100 mm	CTC-1697829	195.87
1799711			Bushing	55 mm		CTC-1140752	23.29
3044906			P-UB-14	55 mm	100 mm	CTC-1697829	195.87
3044906			Bushing	55 mm		CTC-1140752	23.29
STICK							
BCM1-UP							
1799708			P-UB-14	60 mm	90 mm	CTC-1697827	283.54
1799708			Bushing	60 mm		CTC-1140751	30.71
2042718			P-UB-14	60 mm	90 mm	CTC-1697827	283.54
2042718			Bushing	60 mm		CTC-1140751	30.71
2358271			P-UB-14	60 mm	90 mm	CTC-1697827	283.54
2358271			Bushing	60 mm		CTC-1140751	30.71
3044907			P-UB-14	60 mm	90 mm	CTC-1697827	283.54
3044907			Bushing	60 mm		CTC-1140751	30.71

REPLACEMENT KITS FOR CATERPILLAR® EQUIPMENT

Excavators							
APPLICATION	CYL #	Misc-Parts, Instructions, etc.	CODE	ROD	BORE	KIT #	List \$
MODEL 307C							
STICK							
BCM1-UP; BNE1-UP							
	1659276		P-UB-14	60 mm	90 mm	CTC-1697827	283.54
	1659276		Bushing	60 mm		CTC-1140751	30.71
	2357913		P-UB-14	60 mm	90 mm	CTC-1697827	283.54
	2357913		Bushing	60 mm		CTC-1140751	30.71
	3044905		P-UB-14	60 mm	90 mm	CTC-1697827	283.54
	3044905		Bushing	60 mm		CTC-1140751	30.71
	3044910		P-UB-14	60 mm	90 mm	CTC-1697827	283.54
	3044910		Bushing	60 mm		CTC-1140751	30.71
SWING							
BNE1-UP							
	1772556		P-UB-14	75 mm	110 mm	CTC-1697826	182.56
	1772556		Bushing	75 mm		CTC-1140750	39.31
SWING BOOM							
BNE1-463							
	1772474		P-UB-14	60 mm	90 mm	CTC-1697827	283.54
	1772474		Bushing	60 mm		CTC-1140751	30.71
BNE1630-UP							
	3044911		P-UB-14	60 mm	90 mm	CTC-1697827	283.54
	3044911		Bushing	60 mm		CTC-1140751	30.71
BNE464-UP							
	2375468		P-UB-14	60 mm	90 mm	CTC-1697827	283.54
	2375468		Bushing	60 mm		CTC-1140751	30.71
MODEL 308B							
BLADE							
	1231627		P-UB-10	80 mm	120 mm	CTC-1697835	296.58
	1624835		P-UB-10	80 mm	120 mm	CTC-1697835	296.58
BUCKET							
	1057238		P-UB-14	55 mm	80 mm	CTC-1057253	253.34
STICK							
	1038320		P-UB-14	60 mm	90 mm	CTC-1038333	339.92
MODEL 308C CR							
BLADE							
KCX1-UP							
	1799671		P-UB-10	80 mm	120 mm	CTC-1697835	296.58
	1799671		Bushing	80 mm		CTC-1140755	43.12
	2358256		P-UB-10	80 mm	120 mm	CTC-1697835	296.58
	2358256		Bushing	80 mm		CTC-1140755	43.12

REPLACEMENT KITS FOR CATERPILLAR® EQUIPMENT

Excavators							
APPLICATION	CYL #	Misc-Parts, Instructions, etc.	CODE	ROD	BORE	KIT #	List \$
MODEL 308C CR							
BOOM							
KCX1-UP							
1799645			P-UB-14	75 mm	110 mm	CTC-1697826	182.56
1799645			Bushing	75 mm		CTC-1140750	39.31
1799651			P-UB-10	55 mm	100 mm	CTC-2003242	193.63
1799655			P-UB-10	75 mm	120 mm	CTC-2003239	114.48
1799655			Bushing	75 mm		CTC-1140750	39.31
1799658			P-UB-10	70 mm	100 mm	CTC-2003240	132.08
1799658			Bushing	70 mm		CTC-1140753	37.46
2159893			P-UB-14	75 mm	110 mm	CTC-1697826	182.56
2159893			Bushing	75 mm		CTC-1140750	39.31
2357834			P-UB-10	55 mm	100 mm	CTC-2003242	193.63
2357845			P-UB-10	75 mm	120 mm	CTC-2003239	114.48
2357845			Bushing	75 mm		CTC-1140750	39.31
2357862			P-UB-10	70 mm	100 mm	CTC-2003240	132.08
2357862			Bushing	70 mm		CTC-1140753	37.46
3044900			P-UB-14	75 mm	110 mm	CTC-3044900K	175.57
3044900			Bushing	75 mm		CTC-1140750	39.31
BUCKET							
KCX1-UP							
1659279			P-UB-14	55 mm	80 mm	CTC-1697828	205.77
3044908			P-UB-14	55 mm	80 mm	CTC-1697828	205.77
STICK							
KCX1-UP							
2042718			P-UB-14	60 mm	90 mm	CTC-1697827	283.54
2042718			Bushing	60 mm		CTC-1140751	30.71
2159896			P-UB-14	60 mm	90 mm	CTC-1697827	283.54
2159896			Bushing	60 mm		CTC-1140751	30.71
3044910			P-UB-14	60 mm	90 mm	CTC-1697827	283.54
3044910			Bushing	60 mm		CTC-1140751	30.71
MODEL 308D CR							
BLADE							
GBT1-							
3033487			P-UB-10	80 mm	120 mm	CTC-1697835	296.58
BOOM							
GBT1-							
2987702			P-UB-10	70 mm	110 mm	CTC-4157472	157.59
BUCKET							
GBT1-							
2987704			P-UB-14	55 mm	85 mm	CTC-2987704K	137.81
COUPLER							
GBT1-							
2569777			I-U-14	50 mm	100 mm	CTC-3265235	218.41
3611139			I-U-15	3/4	1-1/4	CTC-3611131	56.90
STICK							
GBT1-							
2987703			P-UB-14	60 mm	95 mm	CTC-2987703K	139.02
THUMB							
GBT1-							
3056716			I-U-10	50 mm	70 mm	CTC-2764172	64.44
3056717			I-U-10	50 mm	70 mm	CTC-2764172	64.44
TRACK ADJUSTER							
GBT1-							
1362462			TRK ADJ			CTC-1362462K	44.98

CATERPILLAR®

REPLACEMENT KITS FOR CATERPILLAR® EQUIPMENT

Excavators							
APPLICATION	CYL #	Misc-Parts, Instructions, etc.	CODE	ROD	BORE	KIT #	List \$
MODEL 308D CR SB							
BLADE							
FYC1-							
	3033487		P-UB-10	80 mm	120 mm	CTC-1697835	296.58
BOOM							
FYC1-							
	3044915	Variable Adjustable Boom	P-UB-14	55 mm	100 mm	CTC-3747255	195.87
	3197257		P-UB-10	70 mm	110 mm	CTC-4157472	157.59
	3287730		P-UB-14	75 mm	110 mm	CTC-3287730K	157.49
BUCKET							
FYC1-							
	2987704		P-UB-14	55 mm	85 mm	CTC-2987704K	137.81
	3044908		P-UB-14	55 mm	80 mm	CTC-1697828	205.77
COUPLER							
FYC1-							
	2569777		I-U-14	50 mm	100 mm	CTC-3265235	218.41
	3611139		I-U-15	3/4	1-1/4	CTC-3611131	56.90
STICK							
FYC1-							
	2987703		P-UB-14	60 mm	95 mm	CTC-2987703K	139.02
FYC1-1875							
	3044910		P-UB-14	60 mm	90 mm	CTC-1697827	283.54
	3044910		Bushing	60 mm		CTC-1140751	30.71
FYC1828-							
	3747244		P-UB-14	60 mm	90 mm	CTC-1697827	283.54
	3747244		Bushing	60 mm		CTC-1140751	30.71
SWING BOOM							
FYC1-							
	3145850		P-UB-14	65 mm	110 mm	CTC-3145850K	149.37
THUMB							
FYC1-							
	3056716		I-U-10	50 mm	70 mm	CTC-2764172	64.44
	3056717		I-U-10	50 mm	70 mm	CTC-2764172	64.44
TRACK ADJUSTER							
FYC1-							
	1362462		TRK ADJ			CTC-1362462K	44.98
MODEL 311							
BOOM							
	1251548		P-UB-10	70 mm	100 mm	CTC-616858	376.11
	418841		P-UB-10	70 mm	100 mm	CTC-616858	376.11
BUCKET							
	1251547		P-UB-10	65 mm	100 mm	CTC-418914	280.34
	1346987		P-UB-10	65 mm	100 mm	CTC-1764935	303.50
	418840		P-UB-10	65 mm	100 mm	CTC-418914	280.34
STICK							
	1251549		P-UB-10	75 mm	110 mm	CTC-418913	399.13
	418842		P-UB-10	75 mm	110 mm	CTC-418913	399.13
MODEL 311B							
BLADE LH							
	1298009		P-UB-10	80 mm	120 mm	CTC-1697835	296.58
BLADE RH							
	1298010		P-UB-10	80 mm	120 mm	CTC-1697835	296.58
BOOM							
	1211395		P-UB-10	70 mm	100 mm	CTC-1211405	374.82
BUCKET							
	1195447		P-UB-10	65 mm	100 mm	CTC-1195457	288.58
	1438158		P-UB-10	65 mm	100 mm	CTC-1697839	300.43

REPLACEMENT KITS FOR CATERPILLAR® EQUIPMENT

Excavators							
APPLICATION	CYL #	Misc-Parts, Instructions, etc.	CODE	ROD	BORE	KIT #	List \$
MODEL 311B							
STICK							
	1211406		P-UB-10	75 mm	110 mm	CTC-1195435	405.24
	1438160		P-UB-10	75 mm	110 mm	CTC-1697837	356.25
MODEL 311C U							
BLADE LH							
	CKE1-UP; PAD1-UP						
	1709809		P-UB-10	80 mm	120 mm	CTC-1709946	391.83
BLADE RH							
	CKE1-UP; PAD1-UP						
	1709810		P-UB-10	80 mm	120 mm	CTC-1709946	391.83
BOOM							
	CKE1-UP; PAD1-UP						
	1709806			70 mm	100 mm	CTC-1709929	426.37
BUCKET							
	CKE1-UP						
	1709809		P-UB-10	65 mm	100 mm	CTC-1709941	177.94
	2959396		P-UB-10	65 mm	100 mm	CTC-1709941	177.94
	CKE1-UP; PAD1-UP						
	2487855		P-UB-10	65 mm	100 mm	CTC-1709941	177.94
	2836118		P-UB-10	65 mm	100 mm	CTC-1709941	177.94
COUPLER							
	CKE1-UP						
	1847487	Quick Coupler	I-U-10	1-3/4	63 mm	CTC-1728486	91.40
	2734147		I-U-10	1-3/4	63 mm	CTC-3265237	91.40
STICK							
	CKE1-UP; PAD1-UP						
	1709807		P-UB-10	75 mm	110 mm	CTC-1709937	213.67
MODEL 312							
BOOM							
	1148519		P-UB-10	75 mm	110 mm	CTC-1148526	328.90
	1251545		P-UB-10	75 mm	110 mm	CTC-418913	399.13
	418838		P-UB-10	75 mm	110 mm	CTC-418913	399.13
BUCKET							
	1195447		P-UB-10	65 mm	100 mm	CTC-1195457	288.58
	1251547		P-UB-10	65 mm	100 mm	CTC-418914	280.34
	1346987		P-UB-10	65 mm	100 mm	CTC-1764935	303.50
	418840		P-UB-10	65 mm	100 mm	CTC-418914	280.34
OFFSET							
	1239906		P-UB-10	70 mm	130 mm	CTC-1697843	345.13
STICK							
	1211406		P-UB-10	75 mm	110 mm	CTC-1195435	405.24
	1239943		P-UB-10	80 mm	120 mm	CTC-1148290	278.33
	1251546		P-UB-10	80 mm	120 mm	CTC-513047	335.84
	1251940		P-UB-10	80 mm	120 mm	CTC-1148290	278.33
	418839		P-UB-10	80 mm	120 mm	CTC-513047	335.84
MODEL 312B, 312BL							
BLADE LH							
	1298009		P-UB-10	80 mm	120 mm	CTC-1697835	296.58
BLADE RH							
	1298010		P-UB-10	80 mm	120 mm	CTC-1697835	296.58
BOOM							
	1195425		P-UB-10	75 mm	110 mm	CTC-1195435	405.24
	1438156		P-UB-10	75 mm	110 mm	CTC-1697837	356.25
BUCKET							
	1195447		P-UB-10	65 mm	100 mm	CTC-1195457	288.58
	1438158		P-UB-10	65 mm	100 mm	CTC-1697839	300.43

CATERPILLAR®

REPLACEMENT KITS FOR CATERPILLAR® EQUIPMENT

Excavators							
APPLICATION	CYL #	Misc-Parts, Instructions, etc.	CODE	ROD	BORE	KIT #	List \$
MODEL 312B, 312BL							
STICK							
	1195436		P-UB-10	80 mm	120 mm	CTC-1195446	369.69
	1438157		P-UB-10	80 mm	120 mm	CTC-1697838	372.15
MODEL 312C, 312CL							
BOOM							
			P-UB-10	75 mm	110 mm	CTC-1709937	213.67
			Bushing	75 mm		CTC-1140750	39.31
BUCKET							
			P-UB-10	65 mm	100 mm	CTC-1709941	177.94
			Bushing	65 mm		CTC-1140754	32.58
STICK							
			P-UB-10	80 mm	120 mm	CTC-1709999	264.11
			Bushing	80 mm		CTC-1140755	43.12
MODEL 312E							
BLADE LH							
	GAC1-; MJD1-; PZL1-; WEY1-						
	3494109		P-UB-10	80 mm	120 mm	CTC-3494122	238.30
	3494109		Bushing	80 mm		CTC-1140755	43.12
	3852886		P-UB-10	80 mm	120 mm	CTC-3937948	350.21
	3852886		Bushing	80 mm		CTC-3852900	39.67
BLADE RH							
	GAC1-; MJD1-; PZL1-; WEY1-						
	3494110		P-UB-10	80 mm	120 mm	CTC-3494122	238.30
	3494110		Bushing	80 mm		CTC-1140755	43.12
	3852887		P-UB-10	80 mm	120 mm	CTC-3937948	350.21
	3852887		Bushing	80 mm		CTC-3852900	39.67
BOOM							
	GAC1-; MJD1-; PZL1-; WEY1-						
	3582096		P-UB-10	75 mm	110 mm	CTC-3494119	376.37
	3582096		Bushing	75 mm		CTC-1140750	39.31
	3852828		P-UB-14	75 mm	110 mm	CTC-3937887	293.48
	3852828		Bushing	75 mm		CTC-3937931	34.41
	PZL1-; WEY1-						
	1847660	Variable Adjustable Boom	P-UB-10	85 mm	140 mm	CTC-3808347	255.98
	1847660	Variable Adjustable Boom	Bushing	85 mm		CTC-1140756	47.03
BUCKET							
	GAC1-						
	3746547		P-UB-10	75 mm	110 mm	CTC-3494119	376.37
	3746547		Bushing	75 mm		CTC-1140750	39.31
	GAC1-; MJD1-; PZL1-; WEY1-						
	3582108		P-UB-10	70 mm	100 mm	CTC-3494121	255.14
	3582108		Bushing	70 mm		CTC-1140753	37.46
	3687047		P-UB-10	70 mm	100 mm	CTC-3494121	255.14
	3687047		Bushing	70 mm		CTC-1140753	37.46
	3852834		P-UB-14	70 mm	100 mm	CTC-3904227	306.68
	3852834		Bushing	70 mm		CTC-3904158	31.10
COUPLER							
	MJD1-; PZL1-; WEY1-						
	3006024		P-U-10,12	1-1/2	2-1/2	CTC-3465584	44.98
	PZL1-; WEY1-						
	1690329		I-U-5	40 mm	60 mm	CTC-2027897	56.71

REPLACEMENT KITS FOR CATERPILLAR® EQUIPMENT

Excavators							
APPLICATION	CYL #	Misc-Parts, Instructions, etc.	CODE	ROD	BORE	KIT #	List \$
MODEL 312E							
STICK							
GAC1-; MJD1-; PZL1-; WEY1-							
3582102			P-UB-10	80 mm	120 mm	CTC-3494120	349.97
3582102			Bushing	80 mm		CTC-1140755	43.12
3852831			P-UB-14	80 mm	120 mm	CTC-3937949	305.52
3852831			Bushing	80 mm		CTC-3852900	39.67
TRACK ADJUSTER							
GAC1-; MJD1-; PZL1-; WEY1-							
2979143			TRK ADJ			CTC-2979143K	51.81
MODEL 313B							
BLADE LH							
1298009			P-UB-10	80 mm	120 mm	CTC-1697835	296.58
BLADE RH							
1298010			P-UB-10	80 mm	120 mm	CTC-1697835	296.58
BOOM							
1624758			P-UB-10	75 mm	110 mm	CTC-1697837	356.25
BUCKET							
1346987			P-UB-10	65 mm	100 mm	CTC-1764935	303.50
1438158			P-UB-10	65 mm	100 mm	CTC-1697839	300.43
OFFSET							
1239906			P-UB-10	70 mm	130 mm	CTC-1697843	345.13
STICK							
1195436			P-UB-10	80 mm	120 mm	CTC-1195446	369.69
1211406			P-UB-10	75 mm	110 mm	CTC-1195435	405.24
1438157			P-UB-10	80 mm	120 mm	CTC-1697838	372.15
1438160			P-UB-10	75 mm	110 mm	CTC-1697837	356.25
MODEL 313F L							
BLADE LH							
DJE1-UP; NLG1-UP; PRG1-UP							
3852886			P-UB-10	80 mm	120 mm	CTC-3937948	350.21
3852886			Bushing	80 mm		CTC-3852900	39.67
BLADE RH							
DJE1-UP; NLG1-UP; PRG1-UP							
3852887			P-UB-10	80 mm	120 mm	CTC-3937948	350.21
3852887			Bushing	80 mm		CTC-3852900	39.67
BOOM							
DJE1-UP; NLG1-UP; PRG1-UP							
3852828			P-UB-14	75 mm	110 mm	CTC-3937887	293.48
3852828			Bushing	75 mm		CTC-3937931	34.41
NLG1-UP; PRG1-UP							
1847660	Variable Adjustable Boom		P-UB-10	85 mm	140 mm	CTC-3808347	255.98
1847660	Variable Adjustable Boom		Bushing	85 mm		CTC-1140756	47.03
BUCKET							
DJE1-UP; NLG1-UP; PRG1-UP							
3687047			P-UB-10	70 mm	100 mm	CTC-3494121	255.14
3687047			Bushing	70 mm		CTC-1140753	37.46
3852834			P-UB-14	70 mm	100 mm	CTC-3904227	306.68
3852834			Bushing	70 mm		CTC-3904158	31.10
4842102			I-U-10	40 mm	70 mm	CTC-3240355	83.52
4842102			P-U-10	40 mm	70 mm	CTC-5016692	77.21
4842103			I-U-10	40 mm	70 mm	CTC-3240355	83.52
4842103			P-U-10	40 mm	70 mm	CTC-5016692	77.21
STICK							
DJE1-UP; NLG1-UP; PRG1-UP							
3852831			P-UB-14	80 mm	120 mm	CTC-3937949	305.52

CATERPILLAR®

REPLACEMENT KITS FOR CATERPILLAR® EQUIPMENT

Excavators							
APPLICATION	CYL #	Misc-Parts, Instructions, etc.	CODE	ROD	BORE	KIT #	List \$
MODEL 313F L							
TRACK ADJUSTER							
DJE1-UP; NLG1-UP; PRG1-UP							
	2979143		TRK ADJ			CTC-2979143K	51.81
MODEL 313F LGC							
BLADE LH							
GJD1-UP; HDK1-UP; ZGS1-UP							
	3852886		P-UB-10	80 mm	120 mm	CTC-3937948	350.21
	3852886		Bushing	80 mm		CTC-3852900	39.67
BLADE RH							
GJD1-UP; HDK1-UP; ZGS1-UP							
	3852887		P-UB-10	80 mm	120 mm	CTC-3937948	350.21
	3852887		Bushing	80 mm		CTC-3852900	39.67
BOOM							
GJD1-UP; HDK1-UP; ZGS1-UP							
	3852828		P-UB-14	75 mm	110 mm	CTC-3937887	293.48
	3852828		Bushing	75 mm		CTC-3937931	34.41
BUCKET							
GJD1-UP; HDK1-UP; ZGS1-UP							
	3852834		P-UB-14	70 mm	100 mm	CTC-3904227	306.68
	3852834		Bushing	70 mm		CTC-3904158	31.10
GJD1-UP; ZGS1-UP							
	4842102		I-U-10	40 mm	70 mm	CTC-3240355	83.52
	4842102		P-U-10	40 mm	70 mm	CTC-5016692	77.21
	4842103		I-U-10	40 mm	70 mm	CTC-3240355	83.52
	4842103		P-U-10	40 mm	70 mm	CTC-5016692	77.21
COUPLER							
HDK1-UP							
	3006024		P-U-10,12	1-1/2	2-1/2	CTC-3465584	44.98
STICK							
GJD1-UP; HDK1-UP; ZGS1-UP							
	3852831		P-UB-14	80 mm	120 mm	CTC-3937949	305.52
TRACK ADJUSTER							
GJD1-UP; HDK1-UP; ZGS1-UP							
	2979143		TRK ADJ			CTC-2979143K	51.81
MODEL 314C LCR							
BLADE LH							
KJA1-UP; PCA1-UP							
	1709809		P-UB-10	80 mm	120 mm	CTC-1709946	391.83
	1709809		Bushing	80 mm		CTC-1140755	43.12
BLADE RH							
KJA1-UP; PCA1-UP							
	1709810		P-UB-10	80 mm	120 mm	CTC-1709946	391.83
	1709810		Bushing	80 mm		CTC-1140755	43.12
BOOM							
KJA1-UP; PCA1-UP							
	1948228		P-UB-10	75 mm	110 mm	CTC-1709937	213.67
	1948228		Bushing	75 mm		CTC-1140750	39.31
	1948239		P-UB-10	75 mm	110 mm	CTC-1709937	213.67
	1948239		Bushing	75 mm		CTC-1140750	39.31

REPLACEMENT KITS FOR CATERPILLAR® EQUIPMENT

Excavators							
APPLICATION	CYL #	Misc-Parts, Instructions, etc.	CODE	ROD	BORE	KIT #	List \$
MODEL 314C LCR							
BUCKET							
KJA1-UP; PCA1-UP							
1709808			P-UB-10	65 mm	100 mm	CTC-1709941	177.94
1709808			Bushing	65 mm		CTC-1140754	32.58
2487855			P-UB-10	65 mm	100 mm	CTC-1709941	177.94
2487855			Bushing	65 mm		CTC-1140754	32.58
2836118			P-UB-10	65 mm	100 mm	CTC-1709941	177.94
2836118			Bushing	65 mm		CTC-1140754	32.58
2959396			P-UB-10	65 mm	100 mm	CTC-1709941	177.94
2959396			Bushing	65 mm		CTC-1140754	32.58
OFFSET							
KJA1-UP; PCA1-UP							
2042765			P-UB-10	75 mm	130 mm	CTC-2003361	271.55
2042765			Bushing	75 mm		CTC-1140750	39.31
QUICK COUPLER							
KJA1-UP; PCA1-UP							
1847487			I-U-10	1-3/4	63 mm	CTC-1728486	91.40
2734147			I-U-10	1-3/4	63 mm	CTC-3265237	91.40
STICK							
KJA1-UP; PCA1-UP							
1948250			P-UB-10	80 mm	120 mm	CTC-1709999	264.11
1948250			Bushing	80 mm		CTC-1140755	43.12
1948312			P-UB-10	80 mm	120 mm	CTC-1709999	264.11
1948312			Bushing	80 mm		CTC-1140755	43.12
2512894			P-UB-10	80 mm	120 mm	CTC-1709999	264.11
2512894			Bushing	80 mm		CTC-1140755	43.12
3350003			P-UB-10	80 mm	120 mm	CTC-3350007	199.46
3350003			Bushing	80 mm		CTC-1140755	43.12
MODEL 314D CR							
BLADE LH							
PDP1-UP							
2742682			P-UB-10	80 mm	120 mm	CTC-1709946	391.83
2742682			Bushing	80 mm		CTC-1140755	43.12
PDP1-UP; WLN1-UP							
3264445			P-UB-10	80 mm	120 mm	CTC-1709946	391.83
3264445			Bushing	80 mm		CTC-1140755	43.12
3852886			P-UB-10	80 mm	120 mm	CTC-3937948	350.21
3852886			Bushing	80 mm		CTC-3852900	39.67
BLADE RH							
PDP1-UP							
2742683			P-UB-10	80 mm	120 mm	CTC-1709946	391.83
2742683			Bushing	80 mm		CTC-1140755	43.12
PDP1-UP; WLN1-UP							
3264451			P-UB-10	80 mm	120 mm	CTC-1709946	391.83
3264451			Bushing	80 mm		CTC-1140755	43.12
3852887			P-UB-10	80 mm	120 mm	CTC-3937948	350.21
3852887			Bushing	80 mm		CTC-3852900	39.67

CATERPILLAR®

REPLACEMENT KITS FOR CATERPILLAR® EQUIPMENT

Excavators							
APPLICATION	CYL #	Misc-Parts, Instructions, etc.	CODE	ROD	BORE	KIT #	List \$
MODEL 314D CR							
BOOM							
PDP1-UP; WLN1-UP							
2897720			P-UB-10	75 mm	110 mm	CTC-2897733	530.11
2897720			Bushing	75 mm		CTC-1140750	39.31
3349964			P-UB-10	75 mm	110 mm	CTC-2897733	530.11
3349964			Bushing	75 mm		CTC-1140750	39.31
3852850			P-UB-14	75 mm	110 mm	CTC-3937887	293.48
3852850			Bushing	75 mm		CTC-3937931	34.41
4191111			P-UB-10	75 mm	110 mm	CTC-3494119	376.37
4191111			Bushing	75 mm		CTC-1140750	39.31
BOOM OFFSET							
PDP1-UP; WLN1-UP							
3845097			P-UB-10	75 mm	130 mm	CTC-3949688	226.86
3845097			Bushing	75 mm		CTC-1140750	39.31
BUCKET							
PDP1-UP; WLN1-UP							
2897699			P-UB-10	70 mm	100 mm	CTC-2836179	266.41
2897699			Bushing	70 mm		CTC-1140753	37.46
2898086			P-UB-10	70 mm	100 mm	CTC-2836179	266.41
2898086			Bushing	70 mm		CTC-1140753	37.46
3582108			P-UB-10	70 mm	100 mm	CTC-3494121	255.14
3582108			Bushing	70 mm		CTC-1140753	37.46
3852834			P-UB-14	70 mm	100 mm	CTC-3904227	306.68
3852834			Bushing	70 mm		CTC-3904158	31.10
COUPLER							
PDP1-UP; WLN1-UP							
2734147			I-U-10	1-3/4	63 mm	CTC-3265237	91.40
3006024			P-U-10,12	1-1/2	2-1/2	CTC-3465584	44.98
OFFSET							
PDP1-UP; WLN1-UP							
2835905			P-UB-10	75 mm	130 mm	CTC-2003361	271.55
2835905			Bushing	75 mm		CTC-1140750	39.31
STICK							
PDP1-UP; WLN1-UP							
2742737			P-UB-10	80 mm	120 mm	CTC-2897716	512.31
2742737			Bushing	80 mm		CTC-1140755	43.12
2897713			P-UB-10	80 mm	120 mm	CTC-2897716	512.31
2897713			Bushing	80 mm		CTC-1140755	43.12
3624130			P-UB-10	80 mm	120 mm	CTC-3494120	349.97
3624130			Bushing	80 mm		CTC-1140755	43.12
3852831			P-UB-14	80 mm	120 mm	CTC-3937949	305.52
3852831			Bushing	80 mm		CTC-3852900	39.67
TRACK ADJUSTER							
PDP1-UP; WLN1-UP							
2979143			TRK ADJ			CTC-2979143K	51.81
MODEL 314D LCR							
BLADE LH							
BYJ1-UP; SBP1-UP							
2742682			P-UB-10	80 mm	120 mm	CTC-1709946	391.83
2742682			Bushing	80 mm		CTC-1140755	43.12
BYJ1-UP; SBP1-UP; SSZ1-UP; TXN1-UP; XHR1-UP							
3264445			P-UB-10	80 mm	120 mm	CTC-1709946	391.83
3264445			Bushing	80 mm		CTC-1140755	43.12
BYJ1-UP; SSZ1-UP; TXN1-UP; XHR1-UP							
3852886			P-UB-10	80 mm	120 mm	CTC-3937948	350.21
3852886			Bushing	80 mm		CTC-3852900	39.67

REPLACEMENT KITS FOR CATERPILLAR® EQUIPMENT

Excavators							
APPLICATION	CYL #	Misc-Parts, Instructions, etc.	CODE	ROD	BORE	KIT #	List \$
MODEL 314D LCR							
BLADE RH							
BYJ1-UP; SBP1-UP							
2742683			P-UB-10	80 mm	120 mm	CTC-1709946	391.83
2742683			Bushing	80 mm		CTC-1140755	43.12
BYJ1-UP; SBP1-UP; SSZ1-UP; TXN1-UP; XHR1-UP							
3264451			P-UB-10	80 mm	120 mm	CTC-1709946	391.83
3264451			Bushing	80 mm		CTC-1140755	43.12
BYJ1-UP; SSZ1-UP; TXN1-UP; XHR1-UP							
3852887			P-UB-10	80 mm	120 mm	CTC-3937948	350.21
3852887			Bushing	80 mm		CTC-3852900	39.67
BOOM							
BYJ1-UP; SBP1-UP; SSZ1-UP; TXN1-UP; XHR1-UP							
2897720			P-UB-10	75 mm	110 mm	CTC-2897733	530.11
2897720			Bushing	75 mm		CTC-1140750	39.31
3349964			P-UB-10	75 mm	110 mm	CTC-2897733	530.11
3349964			Bushing	75 mm		CTC-1140750	39.31
BYJ1-UP; SSZ1-UP; TXN1-UP; XHR1-UP							
3852850			P-UB-14	75 mm	110 mm	CTC-3937887	293.48
3852850			Bushing	75 mm		CTC-3937931	34.41
BYJ1-UP; SSZ1-UP; XHR1-UP							
4191111			P-UB-10	75 mm	110 mm	CTC-3494119	376.37
4191111			Bushing	75 mm		CTC-1140750	39.31
SBP1-UP; TXN1-UP							
1847660	Variable Adjustable Boom		P-UB-10	85 mm	140 mm	CTC-3808347	255.98
2959458			P-UB-10	75 mm	110 mm	CTC-2897733	530.11
2959458			Bushing	75 mm		CTC-1140750	39.31
BOOM OFFSET							
BYJ1-UP; SSZ1-UP; XHR1-UP							
3845097			P-UB-10	75 mm	130 mm	CTC-3949688	226.86
3845097			Bushing	75 mm		CTC-1140750	39.31
BUCKET							
BYJ1-UP; SBP1-UP; SSZ1-UP; TXN1-UP; XHR1-UP							
2897699			P-UB-10	70 mm	100 mm	CTC-2836179	266.41
2897699			Bushing	70 mm		CTC-1140753	37.46
BYJ1-UP; SSZ1-UP; TXN1-UP; XHR1-UP							
2898086			P-UB-10	70 mm	100 mm	CTC-2836179	266.41
2898086			Bushing	70 mm		CTC-1140753	37.46
3852834			P-UB-14	70 mm	100 mm	CTC-3904227	306.68
3852834			Bushing	70 mm		CTC-3904158	31.10
BYJ1-UP; SSZ1-UP; XHR1-UP							
3582108			P-UB-10	70 mm	100 mm	CTC-3494121	255.14
3582108			Bushing	70 mm		CTC-1140753	37.46
COUPLER							
BYJ1-UP; SBP1-UP; SSZ1-UP; TXN1-UP; XHR1-UP							
2734147			I-U-10	1-3/4	63 mm	CTC-3265237	91.40
BYJ1-UP; SSZ1-UP; TXN1-UP; XHR1-UP							
3006024			P-U-10,12	1-1/2	2-1/2	CTC-3465584	44.98
OFFSET							
BYJ1-UP; SBP1-UP; SSZ1-UP; TXN1-UP; XHR1-UP							
2835905			P-UB-10	75 mm	130 mm	CTC-2003361	271.55
2835905			Bushing	75 mm		CTC-1140750	39.31

CATERPILLAR®

REPLACEMENT KITS FOR CATERPILLAR® EQUIPMENT

Excavators							
APPLICATION	CYL #	Misc-Parts, Instructions, etc.	CODE	ROD	BORE	KIT #	List \$
MODEL 314D LCR							
STICK							
BYJ1-UP; SBP1-UP; SSZ1-UP; TXN1-UP; XHR1-UP							
2742737			P-UB-10	80 mm	120 mm	CTC-2897716	512.31
2742737			Bushing	80 mm		CTC-1140755	43.12
2897713			P-UB-10	80 mm	120 mm	CTC-2897716	512.31
2897713			Bushing	80 mm		CTC-1140755	43.12
BYJ1-UP; SSZ1-UP; TXN1-UP; XHR1-UP							
3624130			P-UB-10	80 mm	120 mm	CTC-3494120	349.97
3624130			Bushing	80 mm		CTC-1140755	43.12
3852831			P-UB-14	80 mm	120 mm	CTC-3937949	305.52
3852831			Bushing	80 mm		CTC-3852900	39.67
SBP1-UP; TXN1-UP							
2897726			P-UB-10	75 mm	110 mm	CTC-2897733	530.11
2897726			Bushing	75 mm		CTC-1140750	39.31
TRACK ADJUSTER							
BYJ1-UP; SBP1-UP; SSZ1-UP; TXN1-UP; XHR1-UP							
2979143			TRK ADJ			CTC-2979143K	51.81
MODEL 314E CR							
BLADE LH							
ECN1-UP; GMD1-UP							
3852886			P-UB-10	80 mm	120 mm	CTC-3937948	350.21
3852886			Bushing	80 mm		CTC-3852900	39.67
BLADE RH							
ECN1-UP; GMD1-UP							
3852887			P-UB-10	80 mm	120 mm	CTC-3937948	350.21
3852887			Bushing	80 mm		CTC-3852900	39.67
BOOM							
ECN1-UP							
3624127	Type 1		P-UB-10	75 mm	110 mm	CTC-2897733	530.11
3624127	Type 1		Bushing	75 mm		CTC-1140750	39.31
3713870			P-UB-10	75 mm	110 mm	CTC-3494119	376.37
3713870			Bushing	75 mm		CTC-1140750	39.31
ECN1-UP; GMD1-UP							
3624127	Type 2		P-UB-10	75 mm	110 mm	CTC-3494119	376.37
3624127	Type 2		Bushing	75 mm		CTC-1140750	39.31
3852850			P-UB-14	75 mm	110 mm	CTC-3937887	293.48
3852850			Bushing	75 mm		CTC-3937931	34.41
BOOM OFFSET							
ECN1-UP; GMD1-UP							
3845097			P-UB-10	75 mm	130 mm	CTC-3949688	226.86
3845097			Bushing	75 mm		CTC-1140750	39.31
BUCKET							
ECN1-UP							
3582108			P-UB-10	70 mm	100 mm	CTC-3494121	255.14
3582108			Bushing	70 mm		CTC-1140753	37.46
ECN1-UP; GMD1-UP							
3852834			P-UB-14	70 mm	100 mm	CTC-3904227	306.68
3852834			Bushing	70 mm		CTC-3904158	31.10
GMD1-UP							
3687047			P-UB-10	70 mm	100 mm	CTC-3494121	255.14
3687047			Bushing	70 mm		CTC-1140753	37.46

REPLACEMENT KITS FOR CATERPILLAR® EQUIPMENT

Excavators							
APPLICATION	CYL #	Misc-Parts, Instructions, etc.	CODE	ROD	BORE	KIT #	List \$
MODEL 314E CR							
STICK							
ECN1-UP; GMD1-UP							
3624130			P-UB-10	80 mm	120 mm	CTC-3494120	349.97
3624130			Bushing	80 mm		CTC-1140755	43.12
3852831			P-UB-14	80 mm	120 mm	CTC-3937949	305.52
3852831			Bushing	80 mm		CTC-3852900	39.67
TRACK ADJUSTER							
ECN1-UP; GMD1-UP							
2979143			TRK ADJ			CTC-2979143K	51.81
MODEL 314E LCR							
BLADE LH							
DKD1-UP; YCW1-UP; ZJT1-UP							
3852886			P-UB-10	80 mm	120 mm	CTC-3937948	350.21
3852886			Bushing	80 mm		CTC-3852900	39.67
BLADE RH							
DKD1-UP; YCW1-UP; ZJT1-UP							
3852887			P-UB-10	80 mm	120 mm	CTC-3937948	350.21
3852887			Bushing	80 mm		CTC-3852900	39.67
BOOM							
DKD1-UP							
1847660	Variable Adj		P-UB-10	85 mm	140 mm	CTC-3808347	255.98
1847660	Variable Adj		Bushing	85 mm		CTC-1140756	47.03
4156387			P-UB-14	75 mm	110 mm	CTC-3937887	293.48
4156387			Bushing	75 mm		CTC-3937931	34.41
DKD1-UP; YCW1-UP; ZJT1-UP							
3624127	Type 1		P-UB-10	75 mm	110 mm	CTC-2897733	530.11
3624127	Type 2		P-UB-10	75 mm	110 mm	CTC-3494119	376.37
3624127	Type 1 & 2		Bushing	75 mm		CTC-1140750	39.31
3713870			P-UB-10	75 mm	110 mm	CTC-3494119	376.37
3713870			Bushing	75 mm		CTC-1140750	39.31
3852850			P-UB-14	75 mm	110 mm	CTC-3937887	293.48
3852850			Bushing	75 mm		CTC-3937931	34.41
BOOM OFFSET							
DKD1-UP; ZJT1-UP							
3845097			P-UB-10	75 mm	130 mm	CTC-3949688	226.86
3845097			Bushing	75 mm		CTC-1140750	39.31
BUCKET							
DKD1-UP; YCW1-UP; ZJT1-UP							
3582108			P-UB-10	70 mm	100 mm	CTC-3494121	255.14
3582108			Bushing	70 mm		CTC-1140753	37.46
3852834			P-UB-14	70 mm	100 mm	CTC-3904227	306.68
3852834			Bushing	70 mm		CTC-3904158	31.10
DKD1-UP; ZJT1-UP							
3687047			P-UB-10	70 mm	100 mm	CTC-3494121	255.14
3687047			Bushing	70 mm		CTC-1140753	37.46
YCW1-UP							
3746547			P-UB-10	75 mm	110 mm	CTC-3494119	376.37
3746547			Bushing	75 mm		CTC-1140750	39.31
3852885			P-UB-14	75 mm	110 mm	CTC-3937887	293.48
3852885			Bushing	75 mm		CTC-3937931	34.41
COUPLER							
ZJT1-UP							
3006024			P-U-10,12	1-1/2	2-1/2	CTC-3465584	44.98

CATERPILLAR®

REPLACEMENT KITS FOR CATERPILLAR® EQUIPMENT

Excavators							
APPLICATION	CYL #	Misc-Parts, Instructions, etc.	CODE	ROD	BORE	KIT #	List \$
MODEL 314E LCR							
STICK							
DKD1-UP; YCW1-UP; ZJT1-UP							
3624130			P-UB-10	80 mm	120 mm	CTC-3494120	349.97
3624130			Bushing	80 mm		CTC-1140755	43.12
3852831			P-UB-14	80 mm	120 mm	CTC-3937949	305.52
3852831			Bushing	80 mm		CTC-3852900	39.67
DKD1-UP; ZJT1-UP							
3582102			P-UB-10	80 mm	120 mm	CTC-3494120	349.97
3582102			Bushing	80 mm		CTC-1140755	43.12
TRACK ADJUSTER							
DKD1-UP; YCW1-UP; ZJT1-UP							
2979143			TRK ADJ			CTC-2979143K	51.81
MODEL 315							
BOOM							
1057336			P-UB-10	80 mm	110 mm	CTC-1057359	336.25
1276046			P-UB-10	80 mm	110 mm	CTC-1057359	336.25
BUCKET							
1057381			P-UB-10	70 mm	100 mm	CTC-1057397	278.11
1076640			P-UB-10	80 mm	110 mm	CTC-1057359	336.25
1276056			P-UB-10	70 mm	100 mm	CTC-1057397	278.11
1276060			P-UB-10	80 mm	110 mm	CTC-1057359	336.25
STICK							
1057362			P-UB-10	85 mm	120 mm	CTC-1057379	355.49
1276051			P-UB-10	85 mm	120 mm	CTC-1057379	355.49
1624672			P-UB-10	85 mm	120 mm	CTC-1624676	142.62
MODEL 315B							
BOOM							
1SW1-UP; 3AW1-UP; 7RZ1-UP							
1559251			P-UB-10	80 mm	110 mm	CTC-1659420	190.74
1559251			Bushing	80 mm		CTC-1140755	43.12
BUCKET							
1SW1-UP; 3AW1-UP; 7RZ1-UP							
1733490			P-UB-10	70 mm	100 mm	CTC-1799638	134.04
1733490			Bushing	70 mm		CTC-1140753	37.46
STICK							
1SW1-UP; 3AW1-UP; 7RZ1-UP							
1559253			P-UB-10	85 mm	120 mm	CTC-1659418	191.76
1559253			Bushing	85 mm		CTC-1140756	47.03
MODEL 315B L							
BOOM							
1SW1-UP; 3AW1-UP; 5SW1-UP; 7RZ1-UP							
1559251			P-UB-10	80 mm	110 mm	CTC-1659420	190.74
1559251			Bushing	80 mm		CTC-1140755	43.12
5SW1-UP							
1336630			P-UB-10	80 mm	110 mm	CTC-1336646	339.87
1336630			Bushing	80 mm		CTC-1140755	43.12
1847660			P-UB-10	85 mm	140 mm	CTC-3808347	255.98
1847660			Bushing	85 mm		CTC-1140756	47.03
BUCKET							
1SW1-UP; 3AW1-UP; 7RZ1-UP							
1733490			P-UB-10	70 mm	100 mm	CTC-1799638	134.04
1733490			Bushing	70 mm		CTC-1140753	37.46

REPLACEMENT KITS FOR CATERPILLAR® EQUIPMENT

Excavators							
APPLICATION	CYL #	Misc-Parts, Instructions, etc.	CODE	ROD	BORE	KIT #	List \$
MODEL 315B L							
BUCKET							
5SW1-UP							
1336636			P-UB-10	70 mm	100 mm	CTC-1336691	295.06
1336636			Bushing	70 mm		CTC-1140753	37.46
1336639			P-UB-10	80 mm	110 mm	CTC-1336646	339.87
1336639			Bushing	80 mm		CTC-1140755	43.12
1559255			P-UB-10	70 mm	100 mm	CTC-1709827	150.42
1559255			Bushing	70 mm		CTC-1140753	37.46
1588923			P-UB-10	80 mm	110 mm	CTC-1659420	190.74
1588923			Bushing	80 mm		CTC-1140755	43.12
STICK							
1SW1-UP; 3AW1-UP; 5SW1-UP; 7RZ1-UP							
1559253			P-UB-10	85 mm	120 mm	CTC-1659418	191.76
1559253			Bushing	85 mm		CTC-1140756	47.03
5SW1-UP							
1336633			P-UB-10	85 mm	120 mm	CTC-1184131	342.72
1336633			Bushing	85 mm		CTC-1140756	47.03
MODEL 315C							
BOOM							
AKE1-UP; CFB1-UP; CFT1-UP; CJC1-UP							
1733482			P-UB-10	80 mm	110 mm	CTC-1799625	345.30
1733482			Bushing	80 mm		CTC-1140755	43.12
BUCKET							
AKE1-UP; CFB1-UP; CFT1-UP; CJC1-UP							
1733490			P-UB-10	70 mm	100 mm	CTC-1799638	134.04
1733490			Bushing	70 mm		CTC-1140753	37.46
1733493			P-UB-10	80 mm	110 mm	CTC-1799625	345.30
1733493			Bushing	80 mm		CTC-1140755	43.12
2836126			P-UB-10	70 mm	100 mm	CTC-1799638	134.04
2836126			Bushing	70 mm		CTC-1140753	37.46
2836128			P-UB-10	80 mm	110 mm	CTC-1799625	345.30
2836128			Bushing	80 mm		CTC-1140755	43.12
QUICK COUPLER							
AKE1-UP; CFB1-UP; CFT1-UP; CJC1-UP							
1847488			I-U-10	50 mm	70 mm	CTC-1728487	74.76
STICK							
AKE1-UP; CFB1-UP; CFT1-UP; CJC1-UP							
1733486			P-UB-10	85 mm	120 mm	CTC-1799634	191.76
1733486			Bushing	85 mm		CTC-1140756	47.03
MODEL 315C L							
BOOM							
AKE1-UP; ANF1-UP; CFB1-UP; CFT1-UP; CJC1-UP							
1733482			P-UB-10	80 mm	110 mm	CTC-1799625	345.30
1733482			Bushing	80 mm		CTC-1140755	43.12
ANF1-UP							
1559251			P-UB-10	80 mm	110 mm	CTC-1659420	190.74
1559251			Bushing	80 mm		CTC-1140755	43.12
1847660			P-UB-10	85 mm	140 mm	CTC-3808347	255.98
1847660			Bushing	85 mm		CTC-1140756	47.03

REPLACEMENT KITS FOR CATERPILLAR® EQUIPMENT

Excavators							
APPLICATION	CYL #	Misc-Parts, Instructions, etc.	CODE	ROD	BORE	KIT #	List \$
MODEL 315C L							
BUCKET							
AKE1-UP; ANF1-UP; CFB1-UP; CFT1-UP; CJC1-UP							
1733490			P-UB-10	70 mm	100 mm	CTC-1799638	134.04
1733490			Bushing	70 mm		CTC-1140753	37.46
1733493			P-UB-10	80 mm	110 mm	CTC-1799625	345.30
1733493			Bushing	80 mm		CTC-1140755	43.12
2836126			P-UB-10	70 mm	100 mm	CTC-1799638	134.04
2836126			Bushing	70 mm		CTC-1140753	37.46
AKE1-UP; CFB1-UP; CFT1-UP; CJC1-UP							
2836128			P-UB-10	80 mm	110 mm	CTC-1799625	345.30
2836128			Bushing	80 mm		CTC-1140755	43.12
ANF1-UP							
2836128			P-UB-10	80 mm	110 mm	CTC-1799625	345.30
2836128			Bushing	80 mm		CTC-1140755	43.12
QUICK COUPLER							
AKE1-UP; CFB1-UP; CFT1-UP; CJC1-UP							
1847488			I-U-10	50 mm	70 mm	CTC-1728487	74.76
STICK							
AKE1-UP; CFB1-UP; CFT1-UP; CJC1-UP							
1733486			P-UB-10	85 mm	120 mm	CTC-1799634	191.76
1733486			Bushing	85 mm		CTC-1140756	47.03
ANF1-UP							
1559253			P-UB-10	85 mm	120 mm	CTC-1659418	191.76
1559253			Bushing	85 mm		CTC-1140756	47.03
2248528			P-UB-10	85 mm	120 mm	CTC-1659418	191.76
2248528			Bushing	85 mm		CTC-1140756	47.03
MODEL 315D L							
BOOM							
BZN1-UP; CJN1-UP; JGS1-UP; JHA1-UP; KBD1-UP; NCM1-UP							
2590840			P-UB-10	80 mm	110 mm	CTC-2667861	188.28
BZN1-UP; CJN1-UP; JGS1-UP; NCM1-UP; TLE1-UP							
2898093			P-UB-10	80 mm	110 mm	CTC-2667861	188.28
NCM1-UP; TLE1-UP							
1847660			P-UB-10	85 mm	140 mm	CTC-3808347	255.98
BUCKET							
BZN1-UP; CJN1-UP; JGS1-UP							
2818979			P-UB-10	70 mm	100 mm	CTC-1799638	134.04
3021734			P-UB-10	80 mm	110 mm	CTC-1799625	345.30
BZN1-UP; CJN1-UP; JGS1-UP; JHA1-UP; KBD1-UP							
3228747			P-UB-10	80 mm	110 mm	CTC-1799625	345.30
BZN1-UP; JGS1-UP; KBD1-UP							
3421892			P-UB-10	80 mm	110 mm	CTC-1799625	345.30
CJN1-UP							
2590916			P-UB-10	80 mm	110 mm	CTC-1799625	345.30
CJN1-UP; JGS1-UP; NCM1-UP; TLE1-UP							
3349944			P-UB-10	80 mm	110 mm	CTC-1799625	345.30
CJN1-UP; KBD1-UP							
2590846			P-UB-10	70 mm	100 mm	CTC-1799638	134.04
CJN1-UP; NCM1-UP							
2898121			P-UB-10	80 mm	110 mm	CTC-1799625	345.30
CJN1-UP; NCM1-UP; TLE1-UP							
2898113			P-UB-10	70 mm	100 mm	CTC-1799638	134.04
COUPLER							
BZN1-UP; CJN1-UP; JGS1-UP; KBD1-UP; NCM1-UP; TLE1-UP							
2569795			I-U-10	50 mm	70 mm	CTC-1728487	74.76

REPLACEMENT KITS FOR CATERPILLAR® EQUIPMENT

Excavators							
APPLICATION	CYL #	Misc-Parts, Instructions, etc.	CODE	ROD	BORE	KIT #	List \$
MODEL 315D L							
COUPLER							
BZN1-UP; JGS1-UP							
3052017			P-U-10,12	1-3/4	3	CTC-3465609	53.57
NCM1-UP; TLE1-UP							
1690329			I-U-5	40 mm	60 mm	CTC-2027897	56.71
STICK							
BZN1-UP; CJN1-UP; JGS1-UP; JHA1-UP; KBD1-UP							
2590843			P-UB-10	85 mm	120 mm	CTC-2667874	169.30
BZN1-UP; CJN1-UP; JGS1-UP; NCM1-UP; TLE1-UP							
3228746			P-UB-10	85 mm	120 mm	CTC-2667874	169.30
CJN1-UP							
2898103			P-UB-10	85 mm	120 mm	CTC-2667874	169.30
NCM1-UP							
2884014			P-UB-10	85 mm	120 mm	CTC-2667874	169.30
MODEL 315F LCR							
BLADE LH							
TDY1-UP							
3852886			P-UB-10	80 mm	120 mm	CTC-3937948	350.21
3852886			Bushing	80 mm		CTC-3852900	39.67
BLADE RH							
TDY1-UP							
3852887			P-UB-10	80 mm	120 mm	CTC-3937948	350.21
3852887			Bushing	80 mm		CTC-3852900	39.67
BOOM							
TDY1-UP							
3624127			P-UB-10	75 mm	110 mm	CTC-3494119	376.37
3624127			Bushing	75 mm		CTC-1140750	39.31
3845097			P-UB-10	75 mm	130 mm	CTC-3949688	226.86
3845097			Bushing	75 mm		CTC-1140750	39.31
3852828			P-UB-14	75 mm	110 mm	CTC-3937887	293.48
3852828			Bushing	75 mm		CTC-3937931	34.41
3852850			P-UB-14	75 mm	110 mm	CTC-3937887	293.48
3852850			Bushing	75 mm		CTC-3937931	34.41
4156387			P-UB-14	75 mm	110 mm	CTC-3937887	293.48
4156387			Bushing	75 mm		CTC-3937931	34.41
BOOM VAR ADJ							
TDY1-UP							
1847660			P-UB-10	85 mm	140 mm	CTC-3808347	255.98
1847660			Bushing	85 mm		CTC-1140756	47.03
BUCKET							
TDY1-UP							
3582108			P-UB-10	70 mm	100 mm	CTC-3494121	255.14
3582108			Bushing	70 mm		CTC-1140753	37.46
3687047			P-UB-10	70 mm	100 mm	CTC-3494121	255.14
3687047			Bushing	70 mm		CTC-1140753	37.46
3852834			P-UB-14	70 mm	100 mm	CTC-3904227	306.68
3852834			Bushing	70 mm		CTC-3904158	31.10
3852885			P-UB-14	75 mm	110 mm	CTC-3937887	293.48
3852885			Bushing	75 mm		CTC-3937931	34.41
4699342	Head 3234218		I-U-10	50 mm	80 mm	CTC-3240356	112.03
4699342	Head 4914780		P-U-10	50 mm	80 mm	CTC-5016702	104.94
4699353	Head 3234218		I-U-10	50 mm	80 mm	CTC-3240356	112.03
4699353	Head 4914780		P-U-10	50 mm	80 mm	CTC-5016702	104.94

CATERPILLAR®

REPLACEMENT KITS FOR CATERPILLAR® EQUIPMENT

Excavators							
APPLICATION	CYL #	Misc-Parts, Instructions, etc.	CODE	ROD	BORE	KIT #	List \$
MODEL 315F LCR							
COUPLER							
TDY1-UP							
3954045			I-U-10	1	1-3/4	CTC-4536525	26.28
3954045			Chk Vlv Kit			CTC-2138433	17.12
5697997			I-U-10	1	1-3/4	CTC-4536525	26.28
5697997			Chk Vlv Kit			CTC-2138433	17.12
STICK							
TDY1-UP							
3624130			P-UB-10	80 mm	120 mm	CTC-3494120	349.97
3624130			Bushing	80 mm		CTC-1140755	43.12
3852831			P-UB-14	80 mm	120 mm	CTC-3937949	305.52
3852831			Bushing	80 mm		CTC-3852900	39.67
TRACK ADJUSTER							
TDY1-UP							
2979143			TRK ADJ			CTC-2979143K	51.81
MODEL 315L							
BOOM							
1057336			P-UB-10	80 mm	110 mm	CTC-1057359	336.25
BUCKET							
1057381			P-UB-10	70 mm	100 mm	CTC-1057397	278.11
1076640			P-UB-10	80 mm	110 mm	CTC-1057359	336.25
STICK							
1057362			P-UB-10	85 mm	120 mm	CTC-1057379	355.49
MODEL 316E L							
BOOM							
DZW1-UP; WZY1-UP; YZZ1-UP							
3604557			P-UB-10	80 mm	110 mm	CTC-3604580	181.83
3604557			Bushing	80 mm		CTC-1140755	43.12
3852913			P-UB-14	80 mm	110 mm	CTC-3852908	227.39
3852913			Bushing	80 mm		CTC-3852900	39.67
YZZ1-UP							
1847660			P-UB-10	85 mm	140 mm	CTC-3808347	255.98
1847660			Bushing	85 mm		CTC-1140756	47.03
BUCKET							
DZW1-UP; WZY1-UP; YZZ1-UP							
3604563			P-UB-10	80 mm	110 mm	CTC-3604582	165.13
3604563			Bushing	80 mm		CTC-1140755	43.12
3852917			P-UB-14	80 mm	110 mm	CTC-3852946	179.26
3852917			Bushing	80 mm		CTC-3852900	39.67
DZW1-UP; YZZ1-UP							
3678623			P-UB-10	80 mm	110 mm	CTC-3604582	165.13
3678623			Bushing	80 mm		CTC-1140755	43.12
COUPLER							
DZW1-UP; YZZ1-UP							
2569795			I-U-10	50 mm	70 mm	CTC-1728487	74.76
3052017			P-U-10,12	1-3/4	3	CTC-3465609	53.57
YZZ1-UP							
1690329			I-U-5	40 mm	60 mm	CTC-2027897	56.71
STICK							
DZW1-UP; WZY1-UP; YZZ1-UP							
3604560			P-UB-10	85 mm	120 mm	CTC-3604581	233.18
3604560			Bushing	85 mm		CTC-1140756	47.03
3852915			P-UB-14	85 mm	120 mm	CTC-3852942	207.86
3852915			Bushing	85 mm		CTC-3852934	44.04

REPLACEMENT KITS FOR CATERPILLAR® EQUIPMENT

Excavators							
APPLICATION	CYL #	Misc-Parts, Instructions, etc.	CODE	ROD	BORE	KIT #	List \$
MODEL 316E L							
TRACK ADJUSTER							
DZW1-UP; WZY1-UP; YZZ1-UP							
2979191			TRK ADJ			CTC-SK100162	77.16
MODEL 316F L							
BOOM							
ECZ1-UP; XAD1-UP; YDL1-UP							
3852913			P-UB-14	80 mm	110 mm	CTC-3852908	227.39
3852913			Bushing	80 mm		CTC-3852900	39.67
BOOM VAR ADJ							
ECZ1-UP							
1847660			P-UB-10	85 mm	140 mm	CTC-3808347	255.98
1847660			Bushing	85 mm		CTC-1140756	47.03
BUCKET							
ECZ1-UP; XAD1-UP; YDL1-UP							
3678623			P-UB-10	80 mm	110 mm	CTC-3604582	165.13
3678623			Bushing	80 mm		CTC-1140755	43.12
3852917			P-UB-14	80 mm	110 mm	CTC-3852946	179.26
3852917			Bushing	80 mm		CTC-3852900	39.67
BUCKET LH							
ECZ1-UP; YDL1-UP							
4699342	Head 3234218		I-U-10	50 mm	80 mm	CTC-3240356	112.03
4699342	Head 4914780		P-U-10	50 mm	80 mm	CTC-5016702	104.94
BUCKET RH							
ECZ1-UP; YDL1-UP							
4699353	Head 3234218		I-U-10	50 mm	80 mm	CTC-3240356	112.03
4699353	Head 4914780		P-U-10	50 mm	80 mm	CTC-5016702	104.94
COUPLER							
ECZ1-UP							
1690329			I-U-5	40 mm	60 mm	CTC-2027897	56.71
YDL1-UP							
2569795			I-U-10	50 mm	70 mm	CTC-1728487	74.76
3052017			P-U-10,12	1-3/4	3	CTC-3465609	53.57
STICK							
ECZ1-UP; XAD1-UP; YDL1-UP							
3852915			P-UB-14	85 mm	120 mm	CTC-3852942	207.86
3852915			Bushing	85 mm		CTC-3852934	44.04
5397995			P-UB-14	85 mm	120 mm	CTC-3852942	207.86
5397995			Bushing	85 mm		CTC-3852934	44.04
TRACK ADJUSTER							
ECZ1-20000; XAD1-20000; YDL1-20000							
2979191			TRK ADJ			CTC-SK100162	77.16
ECZ20001-UP; XAD20001-UP; YDL20001-UP							
5246326			TRK ADJ			CTC-SK100162	77.16
MODEL 317							
BOOM							
1057336			P-UB-10	80 mm	110 mm	CTC-1057359	336.25
1276046			P-UB-10	80 mm	110 mm	CTC-1057359	336.25
BUCKET							
1057381			P-UB-10	70 mm	100 mm	CTC-1057397	278.11
1076640			P-UB-10	80 mm	110 mm	CTC-1057359	336.25
1276056			P-UB-10	70 mm	100 mm	CTC-1057397	278.11
1276060			P-UB-10	80 mm	110 mm	CTC-1057359	336.25
STICK							
1057362			P-UB-10	85 mm	120 mm	CTC-1057379	355.49
1276051			P-UB-10	85 mm	120 mm	CTC-1057379	355.49
1624672			P-UB-10	85 mm	120 mm	CTC-1624676	142.62

CATERPILLAR®

REPLACEMENT KITS FOR CATERPILLAR® EQUIPMENT

Excavators							
APPLICATION	CYL #	Misc-Parts, Instructions, etc.	CODE	ROD	BORE	KIT #	List \$
MODEL 317B, 317BL							
BOOM							
	1336630	Piston - C 1276047	P-UB-10	80 mm	110 mm	CTC-1336646	339.87
	1336630		Bushing	80 mm		CTC-1140755	43.12
	1559251		P-UB-10	80 mm	110 mm	CTC-1659420	190.74
BUCKET							
	1336636	Piston - C 1336687	P-UB-10	70 mm	100 mm	CTC-1336691	295.06
	1336636		Bushing	70 mm		CTC-1140753	37.46
	1559255		P-UB-10	70 mm	100 mm	CTC-1709827	150.42
	5SW						
	1336639		P-UB-10	80 mm	110 mm	CTC-1336646	339.87
STICK							
	1336633	Piston - C 1276052	P-UB-10	85 mm	120 mm	CTC-1184131	342.72
	1336633		Bushing	85 mm		CTC-1140756	47.03
UNSPECIFIED APPLICATION							
	1588923		P-UB-10	80 mm	110 mm	CTC-1659420	190.74
MODEL 317N							
BOOM							
	1057336		P-UB-10	80 mm	110 mm	CTC-1057359	336.25
BUCKET							
	1057381		P-UB-10	70 mm	100 mm	CTC-1057397	278.11
	1076640		P-UB-10	80 mm	110 mm	CTC-1057359	336.25
STICK							
	1057362		P-UB-10	85 mm	120 mm	CTC-1057379	355.49
MODEL 318B, 318BL							
BOOM							
	1475755		P-UB-10	85 mm	120 mm	CTC-1373763	507.19
BUCKET							
	1183967		P-UB-10	85 mm	120 mm	CTC-1261947	474.74
	1184134		P-UB-10	85 mm	120 mm	CTC-1184131	342.72
	1475763		P-UB-10	80 mm	110 mm	CTC-1659420	190.74
STICK							
	1475760		P-UB-10	95 mm	130 mm	CTC-1659419	310.12
MODEL 318C							
BOOM							
	FAA1-UP; BTG1-UP; DAH1-UP						
	1842614		P-UB-10	95 mm	160 mm	CTC-2521191	267.88
	1948407		P-UB-10	85 mm	120 mm	CTC-1799634	191.76
BUCKET							
	BTG1-UP; DAH1-UP						
	2836132		P-UB-10	85 mm	120 mm	CTC-2366368	150.28
	BTG475-UP; DAH1136-UP						
	2836130		P-UB-10	80 mm	110 mm	CTC-1799625	345.30
	FAA1-1135; BTG1-474; DAH1-UP						
	1948413		P-UB-10	80 mm	110 mm	CTC-1799625	345.30
	FAA1-UP; BTG1-UP; DAH1-UP						
	1589061		P-U-10	85 mm	120 mm	CTC-2366389	150.28
COUPLER							
	FAA1-UP; BTG1-UP; DAH1-UP						
	1690329		I-U-5	40 mm	60 mm	CTC-2027897	56.71
STICK							
	FAA1-UP; BTG1-UP; DAH1-UP						
	1948410		P-UB-10	95 mm	130 mm	CTC-2159984	148.92
MODEL 318C L							
BOOM							
	GPA1-UP; MDY1-UP						
	1948416		P-UB-10	85 mm	120 mm	CTC-2478998	223.35

REPLACEMENT KITS FOR CATERPILLAR® EQUIPMENT

Excavators							
APPLICATION	CYL #	Misc-Parts, Instructions, etc.	CODE	ROD	BORE	KIT #	List \$
MODEL 318C L							
BUCKET							
GPA1-UP; MDY1-UP							
2003220			P-UB-10	80 mm	110 mm	CTC-2478995	200.58
2043689			P-UB-10	85 mm	120 mm	CTC-2479001	203.28
COUPLER							
GPA1-UP; MDY1-UP							
1728402			I-U-10	50 mm	70 mm	CTC-1728487	74.76
STICK							
GPA1-UP; MDY1-UP							
1949418			P-UB-10	95 mm	130 mm	CTC-2590630	230.11
MODEL 318C LN							
BOOM							
GPA1-UP; MDY1-UP							
1948416			P-UB-10	85 mm	120 mm	CTC-2478998	223.35
BUCKET							
GPA1-UP; MDY1-UP							
2003220			P-UB-10	80 mm	110 mm	CTC-2478995	200.58
2043689			P-UB-10	85 mm	120 mm	CTC-2479001	203.28
COUPLER							
GPA1-UP; MDY1-UP							
1728402			I-U-10	50 mm	70 mm	CTC-1728487	74.76
STICK							
GPA1-UP; MDY1-UP							
1949418			P-UB-10	95 mm	130 mm	CTC-2590630	230.11
MODEL 320							
BOOM							
0875491			P-UB-10	85 mm	120 mm	CTC-413665	429.34
0875496			P-UB-10	85 mm	120 mm	CTC-0875394	354.94
0875496			P-UB-10	85 mm	120 mm	CTC-1184131	342.72
1069596			P-UB-10	95 mm	160 mm	CTC-6C6091	461.97
BOOM VA							
6C6085			P-UB-10	95 mm	160 mm	CTC-6C6091	461.97
BUCKET							
0874899			P-UB-10	85 mm	120 mm	CTC-1186023	365.30
0875633			P-UB-10	85 mm	120 mm	CTC-0875394	354.94
0875633			P-UB-10	85 mm	120 mm	CTC-1184131	342.72
1185931			P-UB-10	85 mm	120 mm	CTC-1186023	365.30
1251547			P-UB-10	65 mm	100 mm	CTC-418914	280.34
1346987			P-UB-10	65 mm	100 mm	CTC-1764935	303.50
417652			P-UB-10	65 mm	100 mm	CTC-417664	280.46
418840			P-UB-10	65 mm	100 mm	CTC-418914	280.34
717291			P-UB-10	85 mm	130 mm	CTC-7Y5145	366.57
7Y5100			P-UB-10	85 mm	130 mm	CTC-7Y5145	366.57
STICK							
0875422			P-UB-10	100 mm	140 mm	CTC-0875387	468.63
0875493			P-UB-10	100 mm	140 mm	CTC-1270630	443.61
0876638			P-UB-10	100 mm	140 mm	CTC-0875387	468.63
7Y4650			P-UB-10	105 mm	150 mm	CTC-1163612	413.90
UNSPECIFIED APPLICATION							
0874898			P-UB-10	100 mm	140 mm	CTC-1597774	207.30

CATERPILLAR®

REPLACEMENT KITS FOR CATERPILLAR® EQUIPMENT

Excavators							
APPLICATION	CYL #	Misc-Parts, Instructions, etc.	CODE	ROD	BORE	KIT #	List \$
MODEL 320B, 320BL							
BOOM							
	1183953		P-UB-10	100 mm	140 mm	CTC-1373764	442.66
	1183955		P-UB-10	100 mm	140 mm	CTC-1373764	442.66
	1184023		P-UB-10	85 mm	120 mm	CTC-1373763	507.19
	1184128		P-UB-10	85 mm	120 mm	CTC-1184131	342.72
	1195425		P-UB-10	75 mm	110 mm	CTC-1195435	405.24
	1232081		P-UB-10	105 mm	150 mm	CTC-1373767	574.46
	1336770		P-UB-10	100 mm	140 mm	CTC-1336823	440.47
	1589058		P-UB-10	85 mm	120 mm	CTC-1589092	250.14
	1842614		P-UB-10	95 mm	160 mm	CTC-1884457	300.84
BUCKET							
	1183967		P-UB-10	85 mm	120 mm	CTC-1261947	474.74
	1184134		P-UB-10	85 mm	120 mm	CTC-1184131	342.72
	1195447		P-UB-10	65 mm	100 mm	CTC-1195457	288.58
	1232044		P-UB-10	90 mm	130 mm	CTC-1764914	194.61
	1232084		P-UB-10	90 mm	130 mm	CTC-1373768	604.17
	1251547		P-UB-10	65 mm	100 mm	CTC-418914	280.34
	1346987		P-UB-10	65 mm	100 mm	CTC-1764935	303.50
	1475780		P-UB-10	85 mm	125 mm	CTC-1475781	394.50
	1540756		P-UB-10	90 mm	130 mm	CTC-1540757	615.01
	1589061		P-UB-10	85 mm	120 mm	CTC-1589092	250.14
	1799764		P-UB-10	90 mm	130 mm	CTC-1799772	283.58
	417652		P-UB-10	65 mm	100 mm	CTC-417664	280.46
	418840		P-UB-10	65 mm	100 mm	CTC-418914	280.34
STICK							
	1184000		P-UB-10	105 mm	150 mm	CTC-1680758	465.24
	1232081		P-UB-10	105 mm	150 mm	CTC-1373767	574.46
	1412609		P-UB-10	95 mm	160 mm	CTC-1855574	259.29
	1589059		P-UB-10	100 mm	140 mm	CTC-1589093	168.04
	1589060		P-UB-10	100 mm	140 mm	CTC-1589093	168.04
TILT CAB							
	N/A		P-UB-10	2-1/4	5	CTC-9X6392	219.47
UNSPECIFIED APPLICATION							
	1336771		P-UB-10	105 mm	150 mm	CTC-1373767	574.46
	1336812		P-UB-10	90 mm	130 mm	CTC-1373768	604.17
	1336866		P-UB-10	100 mm	140 mm	CTC-1373661	204.56
	1336867		P-UB-10	100 mm	140 mm	CTC-1373661	204.56
	1540727		P-UB-10	85 mm	120 mm	CTC-1540728	668.97
	1540743		P-UB-10	85 mm	120 mm	CTC-1540744	606.55
	1540772		P-UB-10	90 mm	130 mm	CTC-1540773	614.58
MODEL 320C							
BOOM							
	AMC1-UP; ANB1-UP; BBC1-UP; BDC1-UP; BEF1-UP; BER1-UP; BPR1-UP; BRXI-UP						
	1588991		P-UB-10	85 mm	120 mm	CTC-1373763	507.19
	1588991		Bushing	85 mm		CTC-0964402	44.04
	AMC1-UP; ANB1-UP; BDC1-UP; BER1-UP; BPR1-UP; BRXI-UP; GNG1-UP; HKT1-UP; MAB1-UP; PAB1-UP; RAW1-UP; SBN1-UP						
	2043614		P-UB-10	85 mm	120 mm	CTC-2478998	223.35
	2043614		Bushing	85 mm		CTC-0964402	44.04
	AMC1-UP; ANB1-UP; GHA1-UP; GNG1-UP; HBC1-UP; HKT1-UP; MAB1-UP; PAB1-UP						
	1850340		P-UB-10	85 mm	120 mm	CTC-2478996	223.35
	1850340		Bushing	85 mm		CTC-0964402	44.04
	AMC1-UP; ANB1-UP; MAB1-UP; PAB1-UP						
	2043616		P-UB-10	100 mm	140 mm	CTC-2590633	211.41
	2043616		Bushing	100 mm		CTC-0965625	65.58
	2590702		P-UB-10	100 mm	140 mm	CTC-2590699	211.41
	2590702		Bushing	100 mm		CTC-0965625	65.58

REPLACEMENT KITS FOR CATERPILLAR® EQUIPMENT

Excavators							
APPLICATION	CYL #	Misc-Parts, Instructions, etc.	CODE	ROD	BORE	KIT #	List \$
MODEL 320C							
BOOM							
AXK1-UP							
1842614			P-UB-10	95 mm	160 mm	CTC-2521191	267.88
1842614			Bushing	95 mm		CTC-6C6093	60.58
AXK1-UP; BBE1-UP; BBL1-UP; BCN1-UP; BDC1-UP; BEA1-UP; BER1-UP; DBG1-UP; GLA1-UP; JTG1-UP							
1589058			P-UB-10	85 mm	120 mm	CTC-2366368	150.28
1589058			Bushing	85 mm		CTC-1140756	47.03
BBC1-UP; BCB1-UP; BEF1-UP							
2043614			P-UB-10	85 mm	120 mm	CTC-2043625	326.75
2043614			Bushing	85 mm		CTC-0964402	44.04
BBE1-UP; BBL1-UP; BCN1-UP; BEA1-UP; DBG1-UP; GLA1-UP; JTG1-UP							
1842614			P-UB-10	95 mm	160 mm	CTC-2521191	267.88
1842614			Bushing	95 mm		CTC-6C6093	60.58
BDC1-UP; BER1-UP							
1232081			P-UB-10	105 mm	150 mm	CTC-1373767	574.46
1232081			Bushing	105 mm		CTC-0995572	56.41
BDC1-UP; BER1-UP; RAW1-UP; SBN1-UP							
2043616			P-UB-10	100 mm	140 mm	CTC-2043626	259.58
2043616			Bushing	100 mm		CTC-0965625	65.58
MAB1-UP; PAB1-UP							
2742510			P-UB-10	85 mm	120 mm	CTC-2742511	161.43
2742510			Bushing	85 mm		CTC-1140756	47.03
RAW1-UP; SBN1-UP							
1589058			P-UB-10	85 mm	120 mm	CTC-1589092	250.14
1589058			Bushing	85 mm		CTC-1140756	47.03
BUCKET							
ALF1-UP; BCB1-UP; BDC1-UP; BER1-UP							
1346987			P-UB-10	65 mm	100 mm	CTC-1764935	303.50
1346987			Bushing	65 mm		CTC-1140754	32.58
AMC1-UP; ANB1-UP							
1588995			P-UB-10	100 mm	140 mm	CTC-1373764	442.66
1588995			Bushing	100 mm		CTC-0965625	65.58
2043618			P-UB-10	85 mm	125 mm	CTC-2479005	206.41
2043618			Bushing	85 mm		CTC-0964402	44.04
2836132			P-UB-10	85 mm	120 mm	CTC-2366368	150.28
2836132			Bushing	85 mm		CTC-1140756	47.03
AMC1-UP; ANB1-UP; AXK1-UP; BBE1-UP; BBL1-UP; BCN1-UP; BEA1-UP; DBG1-UP; GLA1-UP; JTG1-UP							
1589061			P-U-10	85 mm	120 mm	CTC-2366389	150.28
1589061			Bushing	85 mm		CTC-1140756	47.03
AMC1-UP; ANB1-UP; BBC1-UP; BCB1-UP; BEF1-UP; BPR1-UP; BRXI-UP; RAW1-UP; SBN1-UP							
2043617			P-UB-10	85 mm	120 mm	CTC-2043627	191.82
2043617			Bushing	85 mm		CTC-0964402	44.04
AMC1-UP; ANB1-UP; BBC1-UP; BEF1-UP							
1589088			P-UB-10	85 mm	125 mm	CTC-1850223	227.29
1589088			Bushing	85 mm		CTC-0964402	44.04
AMC1-UP; ANB1-UP; BPR1-UP; BRXI-UP; GNG1-UP; HKT1-UP; MAB1-UP; PAB1-UP							
2043689			P-UB-10	85 mm	120 mm	CTC-2479001	203.28
2043689			Bushing	85 mm		CTC-0964402	44.04
AMC1-UP; ANB1-UP; GHA1-UP; GNG1-UP; HBC1-UP; HKT1-UP; MAB1-UP; PAB1-UP							
1799793			P-UB-10	90 mm	130 mm	CTC-2590626	192.43
1799793			Bushing	90 mm		CTC-1052575	42.49
2043696			P-UB-10	85 mm	120 mm	CTC-2479000	203.28
2043696			Bushing	85 mm		CTC-0964402	44.04
AMC1-UP; ANB1-UP; GHA1-UP; HBC1-UP							
1850346			P-UB-10	85 mm	120 mm	CTC-1540744	606.55
1850346			Bushing	85 mm		CTC-0964402	44.04

CATERPILLAR®

REPLACEMENT KITS FOR CATERPILLAR® EQUIPMENT

Excavators							
APPLICATION	CYL #	Misc-Parts, Instructions, etc.	CODE	ROD	BORE	KIT #	List \$
MODEL 320C							
BUCKET							
AMC1-UP; ANB1-UP; MAB1-UP; PAB1-UP							
2096011			P-UB-10	90 mm	130 mm	CTC-2590627	192.43
2096011			Bushing	90 mm		CTC-1052575	42.49
2590694			P-UB-10	85 mm	120 mm	CTC-2590695	223.35
2590694			Bushing	85 mm		CTC-0964402	44.04
2590698			P-UB-10	100 mm	140 mm	CTC-2590699	211.41
2590698			Bushing	100 mm		CTC-0965625	65.58
2590705			P-UB-10	85 mm	120 mm	CTC-2590706	203.28
2590705			Bushing	85 mm		CTC-0964402	44.04
2590732			P-UB-10	90 mm	130 mm	CTC-2590719	194.75
2590732			Bushing	90 mm		CTC-1052575	42.49
AMC1-UP; ANB1-UP; RAW1-UP; SBN1-UP							
1588999			P-UB-10	90 mm	130 mm	CTC-1850196	226.51
1588999			Bushing	90 mm		CTC-1052575	42.49
AXK1-UP							
1799764			P-UB-10	90 mm	130 mm	CTC-2159986	171.53
1799764			Bushing	90 mm		CTC-1140758	54.25
BBC1-UP; BCB1-UP; BEF1-UP							
2043618			P-UB-10	85 mm	125 mm	CTC-2043628	206.41
2043618			Bushing	85 mm		CTC-0964402	44.04
BBE1-UP; BBL1-UP; BCN1-UP; BEA1-UP; DBG1-UP; GLA1-UP; JTG1-UP							
1799764			P-UB-10	90 mm	130 mm	CTC-2159986	171.53
1799764			Bushing	90 mm		CTC-1140758	54.25
2836132			P-UB-10	85 mm	120 mm	CTC-2366368	150.28
2836132			Bushing	85 mm		CTC-1140756	47.03
BCB1-UP							
2043689			P-UB-10	85 mm	120 mm	CTC-2043692	203.28
2043689			Bushing	85 mm		CTC-0964402	44.04
2096011			P-UB-10	90 mm	130 mm	CTC-2043630	347.18
2096011			Bushing	90 mm		CTC-1052575	42.49
BDC1-UP; BER1-UP; RAW1-UP; SBN1-UP							
1589061			P-UB-10	85 mm	120 mm	CTC-1589092	250.14
1589061			Bushing	85 mm		CTC-1140756	47.03
1799764			P-UB-10	90 mm	130 mm	CTC-1799772	283.58
1799764			Bushing	90 mm		CTC-1140758	54.25
BPR1-UP; BRXI-UP							
1588997			P-UB-10	85 mm	120 mm	CTC-1261947	474.74
1588997			Bushing	85 mm		CTC-0964402	44.04
MAB1-UP; PAB1-UP							
2742521			P-UB-10	85 mm	120 mm	CTC-2742511	161.43
2742521			Bushing	85 mm		CTC-1140756	47.03
COUPLER							
AMC1-UP; ANB1-UP; BDC1-UP; BER1-UP; MAB1-UP; PAB1-UP							
1728402			I-U-10	50 mm	70 mm	CTC-1728487	74.76
STICK							
AMC1-UP; ANB1-UP; BBC1-UP; BCB1-UP; BEF1-UP; MAB1-UP; PAB1-UP							
2043615			P-UB-10	100 mm	140 mm	CTC-2043626	259.58
2043615			Bushing	100 mm		CTC-0965625	65.58
AMC1-UP; ANB1-UP; BBC1-UP; BEF1-UP; BPR1-UP; BRXI-UP; RAW1-UP; SBN1-UP							
1588993			P-UB-10	100 mm	140 mm	CTC-1373764	442.66
1588993			Bushing	100 mm		CTC-0965625	65.58
AMC1-UP; ANB1-UP; BPR1-UP; BRXI-UP; GNG1-UP; HKT1-UP; MAB1-UP; PAB1-UP							
2144500			P-UB-10	100 mm	140 mm	CTC-2590635	211.41
2144500			Bushing	100 mm		CTC-0965625	65.58

REPLACEMENT KITS FOR CATERPILLAR® EQUIPMENT

Excavators							
APPLICATION	CYL #	Misc-Parts, Instructions, etc.	CODE	ROD	BORE	KIT #	List \$
MODEL 320C							
STICK							
AMC1-UP; ANB1-UP; GHA1-UP; GNG1-UP; HBC1-UP; HKT1-UP; MAB1-UP; PAB1-UP							
1850342			P-UB-10	100 mm	140 mm	CTC-2590631	211.41
1850342			Bushing	100 mm		CTC-0965625	65.58
1850344			P-UB-10	100 mm	140 mm	CTC-2590631	211.41
1850344			Bushing	100 mm		CTC-0965625	65.58
AXK1-UP							
1589059			P-UB-10	100 mm	140 mm	CTC-2159985	168.04
1589059			Bushing	100 mm		CTC-1140757	66.11
AXK1-UP; BBE1-UP; BBL1-UP; BCN1-UP; BEA1-UP; DBG1-UP; GLA1-UP; JTG1-UP							
1589060			P-UB-10	100 mm	140 mm	CTC-2159985	168.04
1589060			Bushing	100 mm		CTC-1140757	66.11
BBC1-UP; BCB1-UP; BEF1-UP							
2144500			P-UB-10	100 mm	140 mm	CTC-2144502	211.41
2144500			Bushing	100 mm		CTC-0965625	65.58
BBE1-UP; BBL1-UP; BCN1-UP; BEA1-UP; DBG1-UP; GLA1-UP; JTG1-UP							
1589059			P-UB-10	100 mm	140 mm	CTC-2095874	348.43
1589059			Bushing	100 mm		CTC-1140757	66.11
BCB1-UP							
1232081			P-UB-10	105 mm	150 mm	CTC-1373767	574.46
1232081			Bushing	105 mm		CTC-0995572	56.41
2043616			P-UB-10	100 mm	140 mm	CTC-2043616	211.41
2043616			Bushing	100 mm		CTC-0965625	65.58
BDC1-UP; BER1-UP; RAW1-UP; SBN1-UP							
1589059			P-UB-10	100 mm	140 mm	CTC-2159985	168.04
1589059			Bushing	100 mm		CTC-1140757	66.11
1589060			P-UB-10	100 mm	140 mm	CTC-2095874	348.43
1589060			Bushing	100 mm		CTC-1140757	66.11
BPR1-UP; BRXI-UP; GNG1-UP; HKT1-UP							
2043615			P-UB-10	100 mm	140 mm	CTC-2590633	211.41
2043615			Bushing	100 mm		CTC-0965625	65.58
MAB1-UP; PAB1-UP							
2742514			P-UB-10	100 mm	140 mm	CTC-2742515	232.31
2742514			Bushing	100 mm		CTC-1140757	66.11
RAW1-UP; SBN1-UP							
2043615			P-UB-10	100 mm	140 mm	CTC-1373764	442.66
2043615			Bushing	100 mm		CTC-0965625	65.58
UNSPECIFIED APPLICATION							
AKH1-UP; ALF1-UP							
1980648			I-U-10	45 mm	60 mm	CTC-1980648K	64.22
MODEL 320C L							
BOOM							
AMC1-UP; ANB1-UP; BBC1-UP; BDC1-UP; BEF1-UP; BER1-UP; BPR1-UP; BRXI-UP							
1588991			P-UB-10	85 mm	120 mm	CTC-1373763	507.19
1588991			Bushing	85 mm		CTC-0964402	44.04
AMC1-UP; ANB1-UP; BDC1-UP; BER1-UP; BPR1-UP; BRXI-UP; EAG1-UP; GNG1-UP; HKT1-UP; MAB1-UP; PAB1-UP; RAW1-UP; SBN1-UP							
2043614			P-UB-10	85 mm	120 mm	CTC-2478998	223.35
2043614			Bushing	85 mm		CTC-0964402	44.04
AMC1-UP; ANB1-UP; GHA1-UP; GNG1-UP; HBC1-UP; HKT1-UP; MAB1-UP; PAB1-UP							
1850340			P-UB-10	85 mm	120 mm	CTC-2478996	223.35
1850340			Bushing	85 mm		CTC-0964402	44.04
AMC1-UP; ANB1-UP; MAB1-UP; PAB1-UP							
2043616			P-UB-10	100 mm	140 mm	CTC-2590633	211.41
2043616			Bushing	100 mm		CTC-0965625	65.58
2590702			P-UB-10	100 mm	140 mm	CTC-2590699	211.41
2590702			Bushing	100 mm		CTC-0965625	65.58

REPLACEMENT KITS FOR CATERPILLAR® EQUIPMENT

Excavators							
APPLICATION	CYL #	Misc-Parts, Instructions, etc.	CODE	ROD	BORE	KIT #	List \$
MODEL 320C L							
BOOM							
AXK1-UP							
1842614			P-UB-10	95 mm	160 mm	CTC-2521191	267.88
1842614			Bushing	95 mm		CTC-6C6093	60.58
AXK1-UP; BBE1-UP; BBL1-UP; BCN1-UP; BDC1-UP; BEA1-UP; BER1-UP; DBG1-UP; GLA1-UP; JTG1-UP							
1589058			P-UB-10	85 mm	120 mm	CTC-2366368	150.28
1589058			Bushing	85 mm		CTC-1140756	47.03
BBC1-UP; BCB1-UP; BEF1-UP							
2043614			P-UB-10	85 mm	120 mm	CTC-2043625	326.75
2043614			Bushing	85 mm		CTC-0964402	44.04
BBE1-UP; BBL1-UP; BCN1-UP; BEA1-UP; DBG1-UP; GLA1-UP; JTG1-UP							
1842614			P-UB-10	95 mm	160 mm	CTC-2521191	267.88
1842614			Bushing	95 mm		CTC-6C6093	60.58
BDC1-UP; BER1-UP							
1232081			P-UB-10	105 mm	150 mm	CTC-1373767	574.46
1232081			Bushing	105 mm		CTC-0995572	56.41
BDC1-UP; BER1-UP; RAW1-UP; SBN1-UP							
2043616			P-UB-10	100 mm	140 mm	CTC-2043626	259.58
2043616			Bushing	100 mm		CTC-0965625	65.58
MAB1-UP; PAB1-UP							
2742510			P-UB-10	85 mm	120 mm	CTC-2742511	161.43
2742510			Bushing	85 mm		CTC-1140756	47.03
RAW1-UP; SBN1-UP							
1589058			P-UB-10	85 mm	120 mm	CTC-1589092	250.14
1589058			Bushing	85 mm		CTC-1140756	47.03
BUCKET							
ALF1-UP; BCB1-UP; BDC1-UP; BER1-UP							
1346987			P-UB-10	65 mm	100 mm	CTC-1764935	303.50
1346987			Bushing	65 mm		CTC-1140754	32.58
AMC1-UP; ANB1-UP							
1588995			P-UB-10	100 mm	140 mm	CTC-1373764	442.66
1588995			Bushing	100 mm		CTC-0965625	65.58
2043618			P-UB-10	85 mm	125 mm	CTC-2479005	206.41
2043618			Bushing	85 mm		CTC-0964402	44.04
2590705			P-UB-10	85 mm	120 mm	CTC-2590706	203.28
2590705			Bushing	85 mm		CTC-0964402	44.04
2836132			P-UB-10	85 mm	120 mm	CTC-2366368	150.28
2836132			Bushing	85 mm		CTC-1140756	47.03
AMC1-UP; ANB1-UP; AXK1-UP; BBE1-UP; BBL1-UP; BCN1-UP; BEA1-UP; DBG1-UP; GLA1-UP; JTG1-UP							
1589061			P-U-10	85 mm	120 mm	CTC-2366389	150.28
1589061			Bushing	85 mm		CTC-1140756	47.03
AMC1-UP; ANB1-UP; BBC1-UP; BEF1-UP							
1589088			P-UB-10	85 mm	125 mm	CTC-1850223	227.29
1589088			Bushing	85 mm		CTC-0964402	44.04
AMC1-UP; ANB1-UP; BCB1-UP; BPR1-UP; BRXI-UP; RAW1-UP; SBN1-UP							
2043617			P-UB-10	85 mm	120 mm	CTC-2043627	191.82
2043617			Bushing	85 mm		CTC-0964402	44.04
AMC1-UP; ANB1-UP; BPR1-UP; BRXI-UP; EAG1-UP; GNG1-UP; HKT1-UP; MAB1-UP; PAB1-UP							
2043689			P-UB-10	85 mm	120 mm	CTC-2479001	203.28
2043689			Bushing	85 mm		CTC-0964402	44.04
AMC1-UP; ANB1-UP; GHA1-UP; GNG1-UP; HBC1-UP; HKT1-UP; MAB1-UP; PAB1-UP							
1799793			P-UB-10	90 mm	130 mm	CTC-2590626	192.43
1799793			Bushing	90 mm		CTC-1052575	42.49
2043696			P-UB-10	85 mm	120 mm	CTC-2479000	203.28
2043696			Bushing	85 mm		CTC-0964402	44.04

REPLACEMENT KITS FOR CATERPILLAR® EQUIPMENT

Excavators							
APPLICATION	CYL #	Misc-Parts, Instructions, etc.	CODE	ROD	BORE	KIT #	List \$
MODEL 320C L							
BUCKET							
AMC1-UP; ANB1-UP; GHA1-UP; HBC1-UP							
1850346			P-UB-10	85 mm	120 mm	CTC-1540744	606.55
1850346			Bushing	85 mm		CTC-0964402	44.04
AMC1-UP; ANB1-UP; MAB1-UP; PAB1-UP							
2096011			P-UB-10	90 mm	130 mm	CTC-2590627	192.43
2096011			Bushing	90 mm		CTC-1052575	42.49
2590694			P-UB-10	85 mm	120 mm	CTC-2590695	223.35
2590694			Bushing	85 mm		CTC-0964402	44.04
2590698			P-UB-10	100 mm	140 mm	CTC-2590699	211.41
2590698			Bushing	100 mm		CTC-0965625	65.58
2590732			P-UB-10	90 mm	130 mm	CTC-2590719	194.75
2590732			Bushing	90 mm		CTC-1052575	42.49
AMC1-UP; ANB1-UP; RAW1-UP; SBN1-UP							
1588999			P-UB-10	90 mm	130 mm	CTC-1850196	226.51
1588999			Bushing	90 mm		CTC-1052575	42.49
AXK1-UP							
1799764			P-UB-10	90 mm	130 mm	CTC-2159986	171.53
1799764			Bushing	90 mm		CTC-1140758	54.25
BBC1-UP; BCB1-UP; BEF1-UP							
2043618			P-UB-10	85 mm	125 mm	CTC-2043628	206.41
2043618			Bushing	85 mm		CTC-0964402	44.04
BBC1-UP; BEF1-UP							
2043617			P-UB-10	85 mm	120 mm	CTC-2043627	191.82
2043617			Bushing	85 mm		CTC-0964402	44.04
BBE1-UP; BBL1-UP; BCN1-UP; BEA1-UP; DBG1-UP; GLA1-UP; JTG1-UP							
1799764			P-UB-10	90 mm	130 mm	CTC-2159986	171.53
1799764			Bushing	90 mm		CTC-1140758	54.25
2836132			P-UB-10	85 mm	120 mm	CTC-2366368	150.28
2836132			Bushing	85 mm		CTC-1140756	47.03
BCB1-UP							
2043689			P-UB-10	85 mm	120 mm	CTC-2043692	203.28
2043689			Bushing	85 mm		CTC-0964402	44.04
2096011			P-UB-10	90 mm	130 mm	CTC-2043630	347.18
2096011			Bushing	90 mm		CTC-1052575	42.49
BDC1-UP; BER1-UP; RAW1-UP; SBN1-UP							
1589061			P-UB-10	85 mm	120 mm	CTC-1589092	250.14
1589061			Bushing	85 mm		CTC-1140756	47.03
1799764			P-UB-10	90 mm	130 mm	CTC-1799772	283.58
1799764			Bushing	90 mm		CTC-1140758	54.25
BPR1-UP; BRXI-UP							
1588997			P-UB-10	85 mm	120 mm	CTC-1261947	474.74
1588997			Bushing	85 mm		CTC-0964402	44.04
MAB1-UP; PAB1-UP							
2590705			P-UB-10	85 mm	120 mm	CTC-2590706	203.28
2590705			Bushing	85 mm		CTC-0964402	44.04
2742521			P-UB-10	85 mm	120 mm	CTC-2742511	161.43
2742521			Bushing	85 mm		CTC-1140756	47.03
COUPLER							
AMC1-UP; ANB1-UP; BDC1-UP; BER1-UP; MAB1-UP; PAB1-UP							
1728402			I-U-10	50 mm	70 mm	CTC-1728487	74.76
STICK							
AMC1-UP; ANB1-UP; BBC1-UP; BCB1-UP; BEF1-UP; MAB1-UP; PAB1-UP							
2043615			P-UB-10	100 mm	140 mm	CTC-2043626	259.58
2043615			Bushing	100 mm		CTC-0965625	65.58

CATERPILLAR®

REPLACEMENT KITS FOR CATERPILLAR® EQUIPMENT

Excavators							
APPLICATION	CYL #	Misc-Parts, Instructions, etc.	CODE	ROD	BORE	KIT #	List \$
MODEL 320C L							
STICK							
AMC1-UP; ANB1-UP; BBC1-UP; BEF1-UP; BPR1-UP; BRXI-UP; RAW1-UP; SBN1-UP							
1588993			P-UB-10	100 mm	140 mm	CTC-1373764	442.66
1588993			Bushing	100 mm		CTC-0965625	65.58
AMC1-UP; ANB1-UP; BPR1-UP; BRXI-UP; GNG1-UP; HKT1-UP; MAB1-UP; PAB1-UP							
2144500			P-UB-10	100 mm	140 mm	CTC-2590635	211.41
2144500			Bushing	100 mm		CTC-0965625	65.58
AMC1-UP; ANB1-UP; GHA1-UP; GNG1-UP; HBC1-UP; HKT1-UP; MAB1-UP; PAB1-UP							
1850342			P-UB-10	100 mm	140 mm	CTC-2590631	211.41
1850342			Bushing	100 mm		CTC-0965625	65.58
1850344			P-UB-10	100 mm	140 mm	CTC-2590631	211.41
1850344			Bushing	100 mm		CTC-0965625	65.58
AXK1-UP							
1589059			P-UB-10	100 mm	140 mm	CTC-2159985	168.04
1589059			Bushing	100 mm		CTC-1140757	66.11
AXK1-UP; BBE1-UP; BBL1-UP; BCN1-UP; BEA1-UP; DBG1-UP; GLA1-UP; JTG1-UP							
1589060			P-UB-10	100 mm	140 mm	CTC-2159985	168.04
1589060			Bushing	100 mm		CTC-1140757	66.11
BBC1-UP; BCB1-UP; BEF1-UP							
2144500			P-UB-10	100 mm	140 mm	CTC-2144502	211.41
2144500			Bushing	100 mm		CTC-0965625	65.58
BBE1-UP; BBL1-UP; BCN1-UP; BEA1-UP; DBG1-UP; GLA1-UP; JTG1-UP							
1589059			P-UB-10	100 mm	140 mm	CTC-2095874	348.43
1589059			Bushing	100 mm		CTC-1140757	66.11
BCB1-UP							
1232081			P-UB-10	105 mm	150 mm	CTC-1373767	574.46
1232081			Bushing	105 mm		CTC-0995572	56.41
2043616			P-UB-10	100 mm	140 mm	CTC-2043616	211.41
2043616			Bushing	100 mm		CTC-0965625	65.58
BDC1-UP; BER1-UP; RAW1-UP; SBN1-UP							
1589059			P-UB-10	100 mm	140 mm	CTC-2159985	168.04
1589059			Bushing	100 mm		CTC-1140757	66.11
1589060			P-UB-10	100 mm	140 mm	CTC-2095874	348.43
1589060			Bushing	100 mm		CTC-1140757	66.11
BPR1-UP; BRXI-UP; EAG1-UP; GNG1-UP; HKT1-UP							
2043615			P-UB-10	100 mm	140 mm	CTC-2590633	211.41
2043615			Bushing	100 mm		CTC-0965625	65.58
EAG1-UP							
2144500			P-UB-10	100 mm	140 mm	CTC-2590635	211.41
MAB1-UP; PAB1-UP							
2742514			P-UB-10	100 mm	140 mm	CTC-2742515	232.31
2742514			Bushing	100 mm		CTC-1140757	66.11
RAW1-UP; SBN1-UP							
2043615			P-UB-10	100 mm	140 mm	CTC-1373764	442.66
2043615			Bushing	100 mm		CTC-0965625	65.58
UNSPECIFIED APPLICATION							
AKH1-UP; ALF1-UP							
1980648			I-U-10	45 mm	60 mm	CTC-1980648K	64.22
MODEL 320C LN							
BOOM							
BBE1-UP; BBL1-UP; BCN1-UP; BEA1-UP; DBG1-UP; GLA1-UP; JTG1-UP							
1589058			P-UB-10	85 mm	120 mm	CTC-2366368	150.28
1589058			Bushing	85 mm		CTC-1140756	47.03
1842614			P-UB-10	95 mm	160 mm	CTC-2521191	267.88
1842614			Bushing	95 mm		CTC-6C6093	60.58

REPLACEMENT KITS FOR CATERPILLAR® EQUIPMENT

Excavators							
APPLICATION	CYL #	Misc-Parts, Instructions, etc.	CODE	ROD	BORE	KIT #	List \$
MODEL 320C LN							
BUCKET							
BBE1-UP; BBL1-UP; BCN1-UP; BEA1-UP; DBG1-UP; GLA1-UP; JTG1-UP							
1589061			P-U-10	85 mm	120 mm	CTC-2366389	150.28
1589061			Bushing	85 mm		CTC-1140756	47.03
1799764			P-UB-10	90 mm	130 mm	CTC-2159986	171.53
1799764			Bushing	90 mm		CTC-1140758	54.25
2836132			P-UB-10	85 mm	120 mm	CTC-2366368	150.28
2836132			Bushing	85 mm		CTC-1140756	47.03
STICK							
BBE1-UP; BBL1-UP; BCN1-UP; BEA1-UP; DBG1-UP; GLA1-UP; JTG1-UP							
1589059			P-UB-10	100 mm	140 mm	CTC-2095874	348.43
1589059			Bushing	100 mm		CTC-1140757	66.11
1589060			P-UB-10	100 mm	140 mm	CTC-2159985	168.04
1589060			Bushing	100 mm		CTC-1140757	66.11
MODEL 320C LRR							
BOOM							
GAD1-UP							
1589058			P-UB-10	85 mm	120 mm	CTC-2366368	150.28
1589058			Bushing	85 mm		CTC-1140756	47.03
STICK							
GAD1-UP							
1589059			P-UB-10	100 mm	140 mm	CTC-2159985	168.04
1589059			Bushing	100 mm		CTC-1140757	66.11
MODEL 320C LU							
BOOM							
CLM1-UP; CLZ1-UP							
1588991			P-UB-10	85 mm	120 mm	CTC-1373763	507.19
1588991			Bushing	85 mm		CTC-0964402	44.04
CLM1-UP; CLZ1-UP; MAC1-UP; PAC1-UP							
1850340			P-UB-10	85 mm	120 mm	CTC-2478996	223.35
1850340			Bushing	85 mm		CTC-0964402	44.04
2043614			P-UB-10	85 mm	120 mm	CTC-2478998	223.35
2043614			Bushing	85 mm		CTC-0964402	44.04
MAC1-UP; PAC1-UP							
2742510			P-UB-10	85 mm	120 mm	CTC-2742511	161.43
2742510			Bushing	85 mm		CTC-1140756	47.03
BUCKET							
CLM1-UP; CLZ1-UP							
1850346			P-UB-10	85 mm	120 mm	CTC-1540744	606.55
1850346			Bushing	85 mm		CTC-0964402	44.04
2043617			P-UB-10	85 mm	120 mm	CTC-2043627	191.82
2043617			Bushing	85 mm		CTC-0964402	44.04
2043696			P-UB-10	85 mm	120 mm	CTC-2479000	203.28
2043696			Bushing	85 mm		CTC-0964402	44.04
CLM1-UP; CLZ1-UP; MAC1-UP; PAC1-UP							
2043689			P-UB-10	85 mm	120 mm	CTC-2479001	203.28
2043689			Bushing	85 mm		CTC-0964402	44.04
MAC1-UP; PAC1-UP							
2590694			P-UB-10	85 mm	120 mm	CTC-2590695	223.35
2590694			Bushing	85 mm		CTC-0964402	44.04
2590698			P-UB-10	100 mm	140 mm	CTC-2590699	211.41
2590698			Bushing	100 mm		CTC-0965625	65.58
2590705			P-UB-10	85 mm	120 mm	CTC-2590706	203.28
2590705			Bushing	85 mm		CTC-0964402	44.04
2742521			P-UB-10	85 mm	120 mm	CTC-2742511	161.43
2742521			Bushing	85 mm		CTC-1140756	47.03

CATERPILLAR®

REPLACEMENT KITS FOR CATERPILLAR® EQUIPMENT

Excavators							
APPLICATION	CYL #	Misc-Parts, Instructions, etc.	CODE	ROD	BORE	KIT #	List \$
MODEL 320C LU							
COUPLER							
MAC1-UP; PAC1-UP							
	1728402		I-U-10	50 mm	70 mm	CTC-1728487	74.76
STICK							
CLM1-UP; CLZ1-UP							
	1588993		P-UB-10	100 mm	140 mm	CTC-1373764	442.66
	1588993		Bushing	100 mm		CTC-0965625	65.58
CLM1-UP; CLZ1-UP; MAC1-UP; PAC1-UP							
	1850342		P-UB-10	100 mm	140 mm	CTC-2590631	211.41
	1850342		Bushing	100 mm		CTC-0965625	65.58
	2043615		P-UB-10	100 mm	140 mm	CTC-2590633	211.41
	2043615		Bushing	100 mm		CTC-0965625	65.58
MAC1-UP; PAC1-UP							
	2742514		P-UB-10	100 mm	140 mm	CTC-2742515	232.31
	2742514		Bushing	100 mm		CTC-1140757	66.11
MODEL 320C S							
BOOM							
BBE1-UP; BBL1-UP; BCN1-UP; BEA1-UP; BMZ1-UP; EGL1-UP							
	1589058		P-UB-10	85 mm	120 mm	CTC-2366368	150.28
	1589058		Bushing	85 mm		CTC-1140756	47.03
BBE1-UP; BBL1-UP; BCN1-UP; BEA1-UP; EGL1-UP							
	1842614		P-UB-10	95 mm	160 mm	CTC-2521191	267.88
	1842614		Bushing	95 mm		CTC-6C6093	60.58
BMZ1-UP							
	1842614		P-UB-10	95 mm	160 mm	CTC-2521191	267.88
	1842614		Bushing	95 mm		CTC-6C6093	60.58
BUCKET							
BBE1-UP; BBL1-UP; BCN1-UP; BEA1-UP; BMZ1-UP; EGL1-UP							
	1589061		P-U-10	85 mm	120 mm	CTC-2366389	150.28
	1589061		Bushing	85 mm		CTC-1140756	47.03
BBE1-UP; BBL1-UP; BCN1-UP; BEA1-UP; EGL1-UP							
	1799764		P-UB-10	90 mm	130 mm	CTC-2159986	171.53
	1799764		Bushing	90 mm		CTC-1140758	54.25
	2836132		P-UB-10	85 mm	120 mm	CTC-2366368	150.28
	2836132		Bushing	85 mm		CTC-1140756	47.03
BMZ1-UP							
	1799764		P-UB-10	90 mm	130 mm	CTC-2159986	171.53
	1799764		Bushing	90 mm		CTC-1140758	54.25
STICK							
BBE1-UP; BBL1-UP; BCN1-UP; BEA1-UP; BMZ1-UP; EGL1-UP							
	1589060		P-UB-10	100 mm	140 mm	CTC-2159985	168.04
	1589060		Bushing	100 mm		CTC-1140757	66.11
BBE1-UP; BBL1-UP; BCN1-UP; BEA1-UP; EGL1-UP							
	1589059		P-UB-10	100 mm	140 mm	CTC-2095874	348.43
	1589059		Bushing	100 mm		CTC-1140757	66.11
BMZ1-UP							
	1589059		P-UB-10	100 mm	140 mm	CTC-2159985	168.04
	1589059		Bushing	100 mm		CTC-1140757	66.11
MODEL 320C U							
BOOM							
CLM1-UP; CLZ1-UP							
	1588991		P-UB-10	85 mm	120 mm	CTC-1373763	507.19
	1588991		Bushing	85 mm		CTC-0964402	44.04

REPLACEMENT KITS FOR CATERPILLAR® EQUIPMENT

Excavators							
APPLICATION	CYL #	Misc-Parts, Instructions, etc.	CODE	ROD	BORE	KIT #	List \$
MODEL 320C U							
BOOM							
CLM1-UP; CLZ1-UP; MAC1-UP; PAC1-UP							
1850340			P-UB-10	85 mm	120 mm	CTC-2478996	223.35
1850340			Bushing	85 mm		CTC-0964402	44.04
2043614			P-UB-10	85 mm	120 mm	CTC-2478998	223.35
2043614			Bushing	85 mm		CTC-0964402	44.04
MAC1-UP; PAC1-UP							
2742510			P-UB-10	85 mm	120 mm	CTC-2742511	161.43
2742510			Bushing	85 mm		CTC-1140756	47.03
BUCKET							
CLM1-UP; CLZ1-UP							
1850346			P-UB-10	85 mm	120 mm	CTC-1540744	606.55
1850346			Bushing	85 mm		CTC-0964402	44.04
2043617			P-UB-10	85 mm	120 mm	CTC-2043627	191.82
2043617			Bushing	85 mm		CTC-0964402	44.04
2043696			P-UB-10	85 mm	120 mm	CTC-2479000	203.28
2043696			Bushing	85 mm		CTC-0964402	44.04
CLM1-UP; CLZ1-UP; MAC1-UP; PAC1-UP							
2043689			P-UB-10	85 mm	120 mm	CTC-2479001	203.28
2043689			Bushing	85 mm		CTC-0964402	44.04
MAC1-UP; PAC1-UP							
2590694			P-UB-10	85 mm	120 mm	CTC-2590695	223.35
2590694			Bushing	85 mm		CTC-0964402	44.04
2590698			P-UB-10	100 mm	140 mm	CTC-2590699	211.41
2590698			Bushing	100 mm		CTC-0965625	65.58
2590705			P-UB-10	85 mm	120 mm	CTC-2590706	203.28
2590705			Bushing	85 mm		CTC-0964402	44.04
2742521			P-UB-10	85 mm	120 mm	CTC-2742511	161.43
2742521			Bushing	85 mm		CTC-1140756	47.03
COUPLER							
MAC1-UP; PAC1-UP							
1728402			I-U-10	50 mm	70 mm	CTC-1728487	74.76
STICK							
CLM1-UP; CLZ1-UP							
1588993			P-UB-10	100 mm	140 mm	CTC-1373764	442.66
1588993			Bushing	100 mm		CTC-0965625	65.58
CLM1-UP; CLZ1-UP; MAC1-UP; PAC1-UP							
1850342			P-UB-10	100 mm	140 mm	CTC-2590631	211.41
1850342			Bushing	100 mm		CTC-0965625	65.58
2043615			P-UB-10	100 mm	140 mm	CTC-2590633	211.41
2043615			Bushing	100 mm		CTC-0965625	65.58
MAC1-UP; PAC1-UP							
2742514			P-UB-10	100 mm	140 mm	CTC-2742515	232.31
2742514			Bushing	100 mm		CTC-1140757	66.11
MODEL 320D							
BOOM							
A6F1-UP; A8F1-UP; CXY1-UP; DHK1-UP; FAL1-UP; JFZ1-UP; JGZ1-UP; KGF1-UP; MCH1-UP; MDE1-UP; MGG1-UP; PHX1-UP							
2426731			P-UB-10	85 mm	120 mm	CTC-2478868	219.46
2426731			Bushing	85 mm		CTC-0964402	44.04
A6F1-UP; A8F1-UP; CXY1-UP; DHK1-UP; FAL1-UP; KGF1-UP; MCH1-UP; PHX1-UP							
2426751			P-UB-10	100 mm	140 mm	CTC-2478878	270.03
2426751			Bushing	100 mm		CTC-0965625	65.58
BZP1-UP; JGZ1-UP; MDE1-UP							
2426746			P-UB-10	85 mm	120 mm	CTC-2667891	219.46
2426746			Bushing	85 mm		CTC-0964402	44.04

CATERPILLAR®

REPLACEMENT KITS FOR CATERPILLAR® EQUIPMENT

Excavators							
APPLICATION	CYL #	Misc-Parts, Instructions, etc.	CODE	ROD	BORE	KIT #	List \$
MODEL 320D							
BOOM							
CXY1-UP; DHK1-UP							
2426746			P-UB-10	85 mm	120 mm	CTC-2667891	219.46
2667972			P-UB-10	85 mm	120 mm	CTC-2668011	219.46
2667972			Bushing	85 mm		CTC-0964402	44.04
FAL1-UP; KGF1-UP							
2426746			P-UB-10	85 mm	120 mm	CTC-2667891	219.46
2426746			Bushing	85 mm		CTC-0964402	44.04
GKS1-UP							
2897752			P-UB-10	100 mm	140 mm	CTC-2344566	200.54
2897752			Bushing	100 mm		CTC-0965625	65.58
BUCKET							
A6F1-UP; A8F1-UP; CXY1-UP; DHK1-UP; FAL1-UP; JFZ1-UP; JGZ1-UP; KGF1-UP; MCH1-UP; MDE1-UP; MGG1-UP; PHX1-UP							
2426756			P-UB-10	85 mm	120 mm	CTC-2478888	187.94
2426756			Bushing	85 mm		CTC-0964402	44.04
A6F1-UP; A8F1-UP; CXY1-UP; DHK1-UP; FAL1-UP; KGF1-UP; MCH1-UP; PHX1-UP							
2254591			P-UB-10	95 mm	135 mm	CTC-2344587	184.02
2254591			Bushing	95 mm		CTC-0964430	47.85
BZP1-UP; CXY1-UP; DHK1-UP; FAL1-UP; JGZ1-UP; KGF1-UP; MDE1-UP							
2426759			P-UB-10	85 mm	120 mm	CTC-2667892	187.94
2426759			Bushing	85 mm		CTC-0964402	44.04
CXY1-UP; DHK1-UP							
2667978			P-UB-10	85 mm	120 mm	CTC-2668057	187.94
2667978			Bushing	85 mm		CTC-0964402	44.04
CXY1-UP; DHK1-UP; FAL1-UP; JGZ1-UP; KGF1-UP; MDE1-UP							
2254599			P-UB-10	95 mm	135 mm	CTC-2590656	182.21
2254599			Bushing	95 mm		CTC-0964430	47.85
EBT1-							
2426770			P-UB-10	90 mm	130 mm	CTC-2426770K	186.46
CAB TILT							
GKS1-UP							
2632914			P-UB-10	2-1/4	5	CTC-2417578	87.32
COUPLER							
CXY1-UP; DHK1-UP; FAL1-UP; KGF1-UP; MCH1-UP; PHX1-UP							
1728402			I-U-10	50 mm	70 mm	CTC-1728487	74.76
HEEL							
GKS1-UP							
2897756			P-UB-10	90 mm	130 mm	CTC-2590678	178.59
2897756			Bushing	90 mm		CTC-1052575	42.49
STICK							
A6F1-UP; A8F1-UP; CXY1-UP; DHK1-UP; FAL1-UP; JFZ1-UP; JGZ1-UP; KGF1-UP; MCH1-UP; MDE1-UP; MGG1-UP; PHX1-UP							
2426744			P-UB-10	100 mm	140 mm	CTC-2478974	270.03
2426744			Bushing	100 mm		CTC-0965625	65.58
A6F1-UP; A8F1-UP; CXY1-UP; DHK1-UP; FAL1-UP; KGF1-UP; MCH1-UP; PHX1-UP							
2426734			P-UB-10	100 mm	140 mm	CTC-2478878	270.03
2426734			Bushing	100 mm		CTC-0965625	65.58
BZP1-UP; CXY1-UP; DHK1-UP; FAL1-UP; JGZ1-UP; KGF1-UP; MDE1-UP							
2426748			P-UB-10	100 mm	140 mm	CTC-2590775	270.03
2426748			Bushing	100 mm		CTC-0965625	65.58
CXY1-UP; DHK1-UP							
2667974			P-UB-10	100 mm	140 mm	CTC-2668012	270.03
2667974			Bushing	100 mm		CTC-0965625	65.58
CXY1-UP; DHK1-UP; FAL1-UP; JGZ1-UP; KGF1-UP; MDE1-UP							
2426763			P-UB-10	100 mm	140 mm	CTC-2590775	270.03
2426763			Bushing	100 mm		CTC-0965625	65.58

REPLACEMENT KITS FOR CATERPILLAR® EQUIPMENT

Excavators							
APPLICATION	CYL #	Misc-Parts, Instructions, etc.	CODE	ROD	BORE	KIT #	List \$
MODEL 320D							
STICK							
GKS1-UP							
2426754			P-UB-10	105 mm	150 mm	CTC-2344576	460.60
2897754			Bushing	105 mm		CTC-0995572	56.41
MODEL 320D L							
BOOM							
A6F1-UP; A8F1-UP; A9F1-UP; CXY1-UP; DHK1-UP; FAL1-UP; KGF1-UP; MCH1-UP; PHX1-UP							
2426751			P-UB-10	100 mm	140 mm	CTC-2478878	270.03
2426751			Bushing	100 mm		CTC-0965625	65.58
A6F1-UP; A8F1-UP; CXY1-UP; DHK1-UP; FAL1-UP; JFZ1-UP; JGZ1-UP; KGF1-UP; MCH1-UP; MDE1-UP; MGG1-UP; PHX1-UP							
2426731			P-UB-10	85 mm	120 mm	CTC-2478868	219.46
2426731			Bushing	85 mm		CTC-0964402	44.04
A9F1-UP							
2426731			P-UB-10	85 mm	120 mm	CTC-2478868	219.46
2426731			Bushing	85 mm		CTC-0964402	44.04
CXY1-UP; DHK1-UP							
2426746			P-UB-10	85 mm	120 mm	CTC-2667891	219.46
2667972			P-UB-10	85 mm	120 mm	CTC-2668011	219.46
2667972			Bushing	85 mm		CTC-0964402	44.04
FAL1-UP; KGF1-UP							
2426746			P-UB-10	85 mm	120 mm	CTC-2667891	219.46
2426746			Bushing	85 mm		CTC-0964402	44.04
JGZ1-UP; MDE1-UP							
2426746			P-UB-10	85 mm	120 mm	CTC-2667891	219.46
2426746			Bushing	85 mm		CTC-0964402	44.04
BUCKET							
A6F1-UP; A8F1-UP; A9F1-UP; CXY1-UP; DHK1-UP; FAL1-UP; JFZ1-UP; JGZ1-UP; KGF1-UP; MCH1-UP; MDE1-UP; MGG1-UP; PHX1-UP							
2426756			P-UB-10	85 mm	120 mm	CTC-2478888	187.94
2426756			Bushing	85 mm		CTC-0964402	44.04
A6F1-UP; A8F1-UP; A9F1-UP; CXY1-UP; DHK1-UP; FAL1-UP; KGF1-UP; MCH1-UP; PHX1-UP							
2254591			P-UB-10	95 mm	135 mm	CTC-2344587	184.02
2254591			Bushing	95 mm		CTC-0964430	47.85
CXY1-UP; DHK1-UP							
2667978			P-UB-10	85 mm	120 mm	CTC-2668057	187.94
2667978			Bushing	85 mm		CTC-0964402	44.04
CXY1-UP; DHK1-UP; FAL1-UP; JGZ1-UP; KGF1-UP; MDE1-UP							
2254599			P-UB-10	95 mm	135 mm	CTC-2590656	182.21
2254599			Bushing	95 mm		CTC-0964430	47.85
2426759			P-UB-10	85 mm	120 mm	CTC-2667892	187.94
2426759			Bushing	85 mm		CTC-0964402	44.04
COUPLER							
CXY1-UP; DHK1-UP; FAL1-UP; KGF1-UP; MCH1-UP; PHX1-UP							
1728402			I-U-10	50 mm	70 mm	CTC-1728487	74.76
STICK							
A6F1-UP; A8F1-UP; A9F1-UP; CXY1-UP; DHK1-UP; FAL1-UP; JFZ1-UP; JGZ1-UP; KGF1-UP; MCH1-UP; MDE1-UP; MGG1-UP; PHX1-UP							
2426744			P-UB-10	100 mm	140 mm	CTC-2478974	270.03
2426744			Bushing	100 mm		CTC-0965625	65.58
A6F1-UP; A8F1-UP; A9F1-UP; CXY1-UP; DHK1-UP; FAL1-UP; KGF1-UP; MCH1-UP; PHX1-UP							
2426734			P-UB-10	100 mm	140 mm	CTC-2478878	270.03
2426734			Bushing	100 mm		CTC-0965625	65.58
CXY1-UP; DHK1-UP							
2667974			P-UB-10	100 mm	140 mm	CTC-2668012	270.03
2667974			Bushing	100 mm		CTC-0965625	65.58

CATERPILLAR®

REPLACEMENT KITS FOR CATERPILLAR® EQUIPMENT

Excavators							
APPLICATION	CYL #	Misc-Parts, Instructions, etc.	CODE	ROD	BORE	KIT #	List \$
MODEL 320D L							
STICK							
CXY1-UP; DHK1-UP; FAL1-UP; JGZ1-UP; KGF1-UP; MDE1-UP							
2426748			P-UB-10	100 mm	140 mm	CTC-2590775	270.03
2426748			Bushing	100 mm		CTC-0965625	65.58
2426763			P-UB-10	100 mm	140 mm	CTC-2590775	270.03
2426763			Bushing	100 mm		CTC-0965625	65.58
MODEL 320D LN							
BOOM							
WBN1-UP							
2426731			P-UB-10	85 mm	120 mm	CTC-2478868	219.46
2426731			Bushing	85 mm		CTC-0964402	44.04
2426746			P-UB-10	85 mm	120 mm	CTC-2667891	219.46
2426746			Bushing	85 mm		CTC-0964402	44.04
2667972			P-UB-10	85 mm	120 mm	CTC-2668011	219.46
2667972			Bushing	85 mm		CTC-0964402	44.04
BUCKET							
WBN1-UP							
2426756			P-UB-10	85 mm	120 mm	CTC-2478888	187.94
2426756			Bushing	85 mm		CTC-0964402	44.04
2426759			P-UB-10	85 mm	120 mm	CTC-2667892	187.94
2426759			Bushing	85 mm		CTC-0964402	44.04
2667978			P-UB-10	85 mm	120 mm	CTC-2668057	187.94
2667978			Bushing	85 mm		CTC-0964402	44.04
STICK							
WBN1-UP							
2426734			P-UB-10	100 mm	140 mm	CTC-2478878	270.03
2426734			Bushing	100 mm		CTC-0965625	65.58
2426748			P-UB-10	100 mm	140 mm	CTC-2590775	270.03
2426748			Bushing	100 mm		CTC-0965625	65.58
2667974			P-UB-10	100 mm	140 mm	CTC-2668012	270.03
2667974			Bushing	100 mm		CTC-0965625	65.58
MODEL 320D LRR							
BOOM							
EBY1-UP							
2667972			P-UB-10	85 mm	120 mm	CTC-2668011	219.46
2667972			Bushing	85 mm		CTC-0964402	44.04
EBY1-UP; FXK1-UP; GKL1-UP; TAE1-UP; WFD1-UP; XCK1-UP; ZGB1-UP							
2426731			P-UB-10	85 mm	120 mm	CTC-2478868	219.46
2426731			Bushing	85 mm		CTC-0964402	44.04
EBY1-UP; GKL1-UP; TAE1-UP							
2426746			P-UB-10	85 mm	120 mm	CTC-2667891	219.46
2426746			Bushing	85 mm		CTC-0964402	44.04
BUCKET							
EBY1-UP							
2667978			P-UB-10	85 mm	120 mm	CTC-2668057	187.94
2667978			Bushing	85 mm		CTC-0964402	44.04
EBY1-UP; FXK1-UP; GKL1-UP; TAE1-UP							
2426759			P-UB-10	85 mm	120 mm	CTC-2667892	187.94
2426759			Bushing	85 mm		CTC-0964402	44.04
EBY1-UP; FXK1-UP; GKL1-UP; TAE1-UP; WFD1-UP; XCK1-UP; ZGB1-UP							
2426756			P-UB-10	85 mm	120 mm	CTC-2478888	187.94
2426756			Bushing	85 mm		CTC-0964402	44.04
QUICK COUPLER							
TAE1-UP; WFD1-UP; XCK1-UP							
1728402			I-U-10	50 mm	70 mm	CTC-1728487	74.76

REPLACEMENT KITS FOR CATERPILLAR® EQUIPMENT

Excavators							
APPLICATION	CYL #	Misc-Parts, Instructions, etc.	CODE	ROD	BORE	KIT #	List \$
MODEL 320D LRR							
STICK							
EBY1-UP							
2667974			P-UB-10	100 mm	140 mm	CTC-2668012	270.03
2667974			Bushing	100 mm		CTC-0965625	65.58
EBY1-UP; FXK1-UP; GKL1-UP; TAE1-UP; WFD1-UP; XCK1-UP							
2426744			P-UB-10	100 mm	140 mm	CTC-2478974	270.03
2426744			Bushing	100 mm		CTC-0965625	65.58
EBY1-UP; FXK1-UP; GKL1-UP; TAE1-UP; WFD1-UP; XCK1-UP; ZGB1-UP							
2426734			P-UB-10	100 mm	140 mm	CTC-2478878	270.03
2426734			Bushing	100 mm		CTC-0965625	65.58
EBY1-UP; GKL1-UP; TAE1-UP							
2426748			P-UB-10	100 mm	140 mm	CTC-2590775	270.03
2426748			Bushing	100 mm		CTC-0965625	65.58
MODEL 320D RR							
BOOM							
EBY1-UP							
2667972			P-UB-10	85 mm	120 mm	CTC-2668011	219.46
2667972			Bushing	85 mm		CTC-0964402	44.04
EBY1-UP; FXK1-UP; GKL1-UP; WFD1-UP; XCK1-UP; YDS1-UP							
2426731			P-UB-10	85 mm	120 mm	CTC-2478868	219.46
2426731			Bushing	85 mm		CTC-0964402	44.04
EBY1-UP; GKL1-UP; YDS1-UP							
2426746			P-UB-10	85 mm	120 mm	CTC-2667891	219.46
2426746			Bushing	85 mm		CTC-0964402	44.04
BUCKET							
EBY1-UP							
2667978			P-UB-10	85 mm	120 mm	CTC-2668057	187.94
2667978			Bushing	85 mm		CTC-0964402	44.04
EBY1-UP; FXK1-UP; GKL1-UP; WFD1-UP; XCK1-UP; YDS1-UP							
2426756			P-UB-10	85 mm	120 mm	CTC-2478888	187.94
2426756			Bushing	85 mm		CTC-0964402	44.04
EBY1-UP; FXK1-UP; GKL1-UP; YDS1-UP							
2426759			P-UB-10	85 mm	120 mm	CTC-2667892	187.94
2426759			Bushing	85 mm		CTC-0964402	44.04
QUICK COUPLER							
WFD1-UP; XCK1-UP; YDS1-UP							
1728402			I-U-10	50 mm	70 mm	CTC-1728487	74.76
STICK							
EBY1-UP							
2667974			P-UB-10	100 mm	140 mm	CTC-2668012	270.03
2667974			Bushing	100 mm		CTC-0965625	65.58
EBY1-UP; FXK1-UP; GKL1-UP; WFD1-UP; XCK1-UP; YDS1-UP							
2426734			P-UB-10	100 mm	140 mm	CTC-2478878	270.03
2426734			Bushing	100 mm		CTC-0965625	65.58
2426744			P-UB-10	100 mm	140 mm	CTC-2478974	270.03
2426744			Bushing	100 mm		CTC-0965625	65.58
EBY1-UP; GKL1-UP; YDS1-UP							
2426748			P-UB-10	100 mm	140 mm	CTC-2590775	270.03
2426748			Bushing	100 mm		CTC-0965625	65.58
MODEL 320E							
BOOM							
AWS1-UP; SHX1-UP; SXE1-UP							
3412790			P-UB-10	85 mm	120 mm	CTC-4560197	185.55
3412790			Bushing	85 mm		CTC-0964402	44.04

CATERPILLAR®

REPLACEMENT KITS FOR CATERPILLAR® EQUIPMENT

Excavators							
APPLICATION	CYL #	Misc-Parts, Instructions, etc.	CODE	ROD	BORE	KIT #	List \$
MODEL 320E							
BUCKET							
AWS1-UP							
3412818			P-UB-10	90 mm	130 mm	CTC-4560210	215.30
3412818			Bushing	90 mm		CTC-1052575	42.49
AWS1-UP; SHX1-UP; SXE1-UP							
3412814			P-UB-10	85 mm	120 mm	CTC-4560207	180.45
3412814			Bushing	85 mm		CTC-0964402	44.04
AWS1-UP; SXE1-UP							
3568788	Type 1		P-UB-10	85 mm	120 mm	CTC-2478790	150.28
3568788	Type 2		P-UB-10	85 mm	120 mm	CTC-3979294	200.51
3568788	Types 1 and 2		Bushing	85 mm		CTC-1140756	47.03
COUPLER							
AWS1-UP; SXE1-UP							
1690329			I-U-5	40 mm	60 mm	CTC-2027897	56.71
2948011			P-U-10,12	2	3-1/2	CTC-3460643	60.25
STICK							
AWS1-UP; SHX1-UP; SXE1-UP							
3412802			P-UB-10	100 mm	140 mm	CTC-4560202	257.32
3412802			Bushing	100 mm		CTC-0965625	65.58
TRACK ADJUSTER							
AWS1-UP; SHX1-UP; SXE1-UP							
2394390			TRK ADJ			CTC-SK100110	61.23
MODEL 320E L							
BOOM							
KLT1-UP; LAK1-UP; NAZ1-UP; REE1-UP; TEX1-UP; TNJ1-UP; WBK1-UP							
3412790			P-UB-10	85 mm	120 mm	CTC-4560197	185.55
3412790			Bushing	85 mm		CTC-0964402	44.04
NAZ1-UP							
3605447	Variable Adjustable Boom		P-UB-10	95 mm	160 mm	CTC-3979296	303.59
3605447	Variable Adjustable Boom		Bushing	95 mm		CTC-6C6093	60.58
REE1-UP; TEX1-UP; TNJ1-UP; WBK1-UP							
3319283			P-UB-10	90 mm	125 mm	CTC-4560198	199.17
3319283			Bushing	90 mm		CTC-1052575	42.49
BUCKET							
KLT1-UP							
3412818			P-UB-10	90 mm	130 mm	CTC-4560210	215.30
3412818			Bushing	90 mm		CTC-1052575	42.49
KLT1-UP; LAK1-UP; NAZ1-UP; REE1-UP; TEX1-UP; TNJ1-UP; WBK1-UP							
3568788	Type 1		P-UB-10	85 mm	120 mm	CTC-2478790	150.28
3568788	Type 2		P-UB-10	85 mm	120 mm	CTC-3979294	200.51
3568788	Types 1 and 2		Bushing	85 mm		CTC-1140756	47.03
KLT1-UP; LAK1-UP; NAZ1-UP; REE1-UP; TEX1-UP; TNJ1-UP; WBK1-UP							
3412814			P-UB-10	85 mm	120 mm	CTC-4560207	180.45
3412814			Bushing	85 mm		CTC-0964402	44.04
LAK1-UP; NAZ1-UP; REE1-UP; WBK1-UP							
3582108			P-UB-10	70 mm	100 mm	CTC-3494121	255.14
3582108			Bushing	70 mm		CTC-1140753	37.46
NAZ1-UP; REE1-UP; TEX1-UP							
3852834			P-UB-14	70 mm	100 mm	CTC-3904227	306.68
3852834			Bushing	70 mm		CTC-3904158	31.10
COUPLER							
KLT1-UP; LAK1-UP; NAZ1-UP; REE1-UP; TEX1-UP; TNJ1-UP; WBK1-UP							
2948011			P-U-10,12	2	3-1/2	CTC-3460643	60.25
KLT1-UP; NAZ1-UP; WBK1-UP							
1690329			I-U-5	40 mm	60 mm	CTC-2027897	56.71

REPLACEMENT KITS FOR CATERPILLAR® EQUIPMENT

Excavators							
APPLICATION	CYL #	Misc-Parts, Instructions, etc.	CODE	ROD	BORE	KIT #	List \$
MODEL 320E L							
STICK							
KLT1-UP; LAK1-UP; NAZ1-UP; REE1-UP; TEX1-UP; TNJ1-UP; WBK1-UP							
3412802			P-UB-10	100 mm	140 mm	CTC-4560202	257.32
3412802			Bushing	100 mm		CTC-0965625	65.58
LAK1-UP; NAZ1-UP; REE1-UP; WBK1-UP							
3412177			P-UB-10	105 mm	150 mm	CTC-3500975	258.28
3412177			Bushing	105 mm		CTC-0995572	56.41
3494148			P-UB-10	105 mm	150 mm	CTC-4560203	258.28
3494148			Bushing	105 mm		CTC-0995572	56.41
REE1-UP							
2254588			P-UB-10	105 mm	150 mm	CTC-4560203	258.28
2254588			Bushing	105 mm		CTC-0995572	56.41
TNJ1-UP; WBK1-UP							
3412807			P-UB-10	100 mm	140 mm	CTC-4560204	247.00
3412807			Bushing	100 mm		CTC-0965625	65.58
TRACK ADJUSTER							
KLT1-UP; LAK1-UP; NAZ1-UP; REE1-UP; TEX1-UP; TNJ1-UP; WBK1-UP							
2394390			TRK ADJ			CTC-SK100110	61.23
MODEL 320E LN							
BOOM							
DFG1-UP							
3412790			P-UB-10	85 mm	120 mm	CTC-4560197	185.55
3412790			Bushing	85 mm		CTC-0964402	44.04
3605447	Variable Adjustable Boom		P-UB-10	95 mm	160 mm	CTC-3979296	303.59
3605447	Variable Adjustable Boom		Bushing	95 mm		CTC-6C6093	60.58
BUCKET							
DFG1-UP							
3412182			P-UB-10	95 mm	135 mm	CTC-3500976	209.04
3412182			Bushing	95 mm		CTC-0964430	47.85
3412814			P-UB-10	85 mm	120 mm	CTC-4560207	180.45
3412814			Bushing	85 mm		CTC-0964402	44.04
3568788	Type 1		P-UB-10	85 mm	120 mm	CTC-2478790	150.28
3568788	Type 2		P-UB-10	85 mm	120 mm	CTC-3979294	200.51
3568788	Types 1 and 2		Bushing	85 mm		CTC-1140756	47.03
COUPLER							
DFG1-UP							
1690329			I-U-5	40 mm	60 mm	CTC-2027897	56.71
2948011			P-U-10,12	2	3-1/2	CTC-3460643	60.25
STICK							
DFG1-UP							
3412802			P-UB-10	100 mm	140 mm	CTC-4560202	257.32
3412802			Bushing	100 mm		CTC-0965625	65.58
TRACK ADJUSTER							
DFG1-UP							
2394390			TRK ADJ			CTC-SK100110	61.23
MODEL 320E LRR							
BOOM							
MEW1-UP; PNL1-UP; TFX1-UP							
3412790			P-UB-10	85 mm	120 mm	CTC-4560197	185.55
3412790			Bushing	85 mm		CTC-0964402	44.04
BUCKET							
MEW1-UP							
3412818			P-UB-10	90 mm	130 mm	CTC-4560210	215.30
3412818			Bushing	90 mm		CTC-1052575	42.49

CATERPILLAR®

REPLACEMENT KITS FOR CATERPILLAR® EQUIPMENT

Excavators							
APPLICATION	CYL #	Misc-Parts, Instructions, etc.	CODE	ROD	BORE	KIT #	List \$
MODEL 320E LRR							
BUCKET							
MEW1-UP; PNL1-UP; TFX1-UP							
3412814			P-UB-10	85 mm	120 mm	CTC-4560207	180.45
3412814			Bushing	85 mm		CTC-0964402	44.04
3568788	Type 1		P-UB-10	85 mm	120 mm	CTC-2478790	150.28
3568788	Type 2		P-UB-10	85 mm	120 mm	CTC-3979294	200.51
3568788	Types 1 and 2		Bushing	85 mm		CTC-1140756	47.03
COUPLER							
TFX1-UP							
2948011			P-U-10,12	2	3-1/2	CTC-3460643	60.25
STICK							
MEW1-UP; PNL1-UP; TFX1-UP							
3412802			P-UB-10	100 mm	140 mm	CTC-4560202	257.32
3412802			Bushing	100 mm		CTC-0965625	65.58
TRACK ADJUSTER							
MEW1-UP; PNL1-UP; TFX1-UP							
2394390			TRK ADJ			CTC-SK100110	61.23
MODEL 320E RR							
BOOM							
LHN1-UP							
3412790			P-UB-10	85 mm	120 mm	CTC-4560197	185.55
3412790			Bushing	85 mm		CTC-0964402	44.04
BUCKET							
LHN1-UP							
3412814			P-UB-10	85 mm	120 mm	CTC-4560207	180.45
3412814			Bushing	85 mm		CTC-0964402	44.04
3412818			P-UB-10	90 mm	130 mm	CTC-4560210	215.30
3412818			Bushing	90 mm		CTC-1052575	42.49
3568788	Type 1		P-UB-10	85 mm	120 mm	CTC-2478790	150.28
3568788	Type 2		P-UB-10	85 mm	120 mm	CTC-3979294	200.51
3568788	Types 1 and 2		Bushing	85 mm		CTC-1140756	47.03
STICK							
LHN1-UP							
3412802			P-UB-10	100 mm	140 mm	CTC-4560202	257.32
3412802			Bushing	100 mm		CTC-0965625	65.58
TRACK ADJUSTER							
LHN1-UP							
2394390			TRK ADJ			CTC-SK100110	61.23
MODEL 320F L							
BOOM							
NHD1-UP; YBM1-UP							
3412790			P-UB-10	85 mm	120 mm	CTC-4560197	185.55
3412790			Bushing	85 mm		CTC-0964402	44.04
BOOM VAR ADJ							
NHD1-UP							
3605447			P-UB-10	95 mm	160 mm	CTC-3979296	303.59
3605447			Bushing	95 mm		CTC-6C6093	60.58
BUCKET							
NHD1-UP							
3852834			P-UB-14	70 mm	100 mm	CTC-3904227	306.68
3852834			Bushing	70 mm		CTC-3904158	31.10
4699342	Head 3234219		I-U-10	50 mm	80 mm	CTC-3240356	112.03
4699353	Head 3234219		I-U-10	50 mm	80 mm	CTC-3240356	112.03

REPLACEMENT KITS FOR CATERPILLAR® EQUIPMENT

Excavators							
APPLICATION	CYL #	Misc-Parts, Instructions, etc.	CODE	ROD	BORE	KIT #	List \$
MODEL 320F L							
BUCKET							
NHD1-UP; YBM1-UP							
3412814			P-UB-10	85 mm	120 mm	CTC-4560207	180.45
3412814			Bushing	85 mm		CTC-0964402	44.04
4699342	Head 4944314		P-U-10	50 mm	80 mm	CTC-5016702	104.94
4699353	Head 4944314		P-U-10	50 mm	80 mm	CTC-5016702	104.94
COUPLER							
NHD1-UP; YBM1-UP							
3909505			I-U-10	1-1/2	2-1/2	CTC-4536523	21.00
3909505			Chk Vlv Kit			CTC-2138433	17.12
STICK							
NHD1-UP; YBM1-UP							
3412802			P-UB-10	100 mm	140 mm	CTC-4560202	257.32
3412802			Bushing	100 mm		CTC-0965625	65.58
TRACK ADJUSTER							
NHD1-UP; YBM1-UP							
2394390			TRK ADJ			CTC-SK100110	61.23
MODEL 320L							
BOOM							
874898			P-UB-10	100 mm	140 mm	CTC-2459842	219.45
BUCKET							
1251547			P-UB-10	65 mm	100 mm	CTC-4I8914	280.34
4I7652			P-UB-10	65 mm	100 mm	CTC-4I7664	280.46
4I8840			P-UB-10	65 mm	100 mm	CTC-4I8914	280.34
7I7291			P-UB-10	85 mm	130 mm	CTC-7Y5145	366.57
7Y5100			P-UB-10	85 mm	130 mm	CTC-7Y5145	366.57
STICK							
7Y4650			P-UB-10	105 mm	150 mm	CTC-1163612	413.90
875493			P-UB-10	100 mm	140 mm	CTC-1270630	443.61
MODEL 320N							
BOOM							
874898			P-UB-10	100 mm	140 mm	CTC-2459842	219.45
BUCKET							
7Y5100			P-UB-10	85 mm	130 mm	CTC-7Y5145	366.57
STICK							
875493			P-UB-10	100 mm	140 mm	CTC-1270630	443.61
MODEL 320S							
BOOM							
0875496			P-UB-10	85 mm	120 mm	CTC-1184131	342.72
1069596			P-UB-10	95 mm	160 mm	CTC-6C6091	461.97
BOOM VA							
6C6085			P-UB-10	95 mm	160 mm	CTC-6C6091	461.97
BUCKET							
0875633			P-UB-10	85 mm	120 mm	CTC-1184131	342.72
7Y5100			P-UB-10	85 mm	130 mm	CTC-7Y5145	366.57
STICK							
0875422			P-UB-10	100 mm	140 mm	CTC-0875387	468.63
0876638			P-UB-10	100 mm	140 mm	CTC-0875387	468.63
MODEL 321B							
BOOM-LH							
1913267			P-UB-10	90 mm	125 mm	CTC-2479004	185.16
BUCKET							
1232084			P-UB-10	90 mm	130 mm	CTC-1373768	604.17
UNSPECIFIED APPLICATION							
1183967			P-UB-10	85 mm	120 mm	CTC-1261947	474.74

CATERPILLAR®

REPLACEMENT KITS FOR CATERPILLAR® EQUIPMENT

Excavators							
APPLICATION	CYL #	Misc-Parts, Instructions, etc.	CODE	ROD	BORE	KIT #	List \$
MODEL 321C LCR							
BLADE LH							
KCR1-UP; MCF1-UP							
1913288			P-UB-10	100 mm	140 mm	CTC-1645174	300.06
1913288			Bushing	100 mm		CTC-0965625	65.58
BLADE RH							
KCR1-UP; MCF1-UP							
1913286			P-UB-10	100 mm	140 mm	CTC-1645174	300.06
1913286			Bushing	100 mm		CTC-0965625	65.58
BOOM							
KCR1-UP							
2449116			P-UB-10	85 mm	120 mm	CTC-2478998	223.35
2449116			Bushing	85 mm		CTC-0964402	44.04
KCR1-UP; MCF1-UP							
2160021			P-UB-10	90 mm	125 mm	CTC-2479004	185.16
2160021			Bushing	90 mm		CTC-1052575	42.49
MCF1-UP							
2043614			P-UB-10	85 mm	120 mm	CTC-2043625	326.75
2043614			Bushing	85 mm		CTC-0964402	44.04
BOOM LH							
KCR1-UP; MCF1-UP							
2160018			P-UB-10	90 mm	125 mm	CTC-2479004	185.16
2160018			Bushing	90 mm		CTC-1052575	42.49
BUCKET							
KCR1-UP							
2449120			P-UB-10	85 mm	120 mm	CTC-2479001	203.28
2449120			Bushing	85 mm		CTC-0964402	44.04
KCR1-UP; MCF1-UP							
2043689			P-UB-10	85 mm	120 mm	CTC-2479001	203.28
2043689			Bushing	85 mm		CTC-0964402	44.04
COUPLER							
KCR1-UP; MCF1-UP							
1728402			I-U-10	50 mm	70 mm	CTC-1728487	74.76
STICK							
KCR1-UP							
2424840			P-UB-10	100 mm	140 mm	CTC-2590633	211.41
2424840			Bushing	100 mm		CTC-0965625	65.58
KCR1-UP; MCF1-UP							
2043615			P-UB-10	100 mm	140 mm	CTC-2590633	211.41
2043615			Bushing	100 mm		CTC-0965625	65.58
STICK LH							
MCF1-UP							
2817970			P-UB-10	100 mm	140 mm	CTC-1373764	442.66
2817970			Bushing	100 mm		CTC-0965625	65.58
STICK RH							
MCF1-UP							
2817971			P-UB-10	100 mm	140 mm	CTC-1373764	442.66
2817971			Bushing	100 mm		CTC-0965625	65.58
MODEL 321D LCR							
BLADE LH							
PBD1-UP							
1913288			P-UB-10	100 mm	140 mm	CTC-1645174	300.06
1913288			Bushing	100 mm		CTC-0965625	65.58
BLADE RH							
PBD1-UP							
1913286			P-UB-10	100 mm	140 mm	CTC-1645174	300.06
1913286			Bushing	100 mm		CTC-0965625	65.58

REPLACEMENT KITS FOR CATERPILLAR® EQUIPMENT

Excavators							
APPLICATION	CYL #	Misc-Parts, Instructions, etc.	CODE	ROD	BORE	KIT #	List \$
MODEL 321D LCR							
BOOM							
PBD1-UP; TXA1-UP							
2426731			P-UB-10	85 mm	120 mm	CTC-2478868	219.46
2426731			Bushing	85 mm		CTC-0964402	44.04
2795614			P-UB-10	95 mm	160 mm	CTC-2521191	267.88
2795614			Bushing	95 mm		CTC-6C6093	60.58
BOOM LH							
KBZ1-UP; MDT1-UP; MPG1-UP; NAS1-UP; PBD1-UP; TXA1-UP							
2742689			P-UB-10	90 mm	125 mm	CTC-2835988	712.84
2742689			Bushing	90 mm		CTC-1052575	42.49
BOOM RH							
KBZ1-UP; MDT1-UP; MPG1-UP; NAS1-UP; PBD1-UP; TXA1-UP							
2742690			P-UB-10	90 mm	125 mm	CTC-2835988	712.84
2742690			Bushing	90 mm		CTC-1052575	42.49
BUCKET							
KBZ1-UP; MDT1-UP; MPG1-UP; NAS1-UP; PBD1-UP; TXA1-UP							
2426756			P-UB-10	85 mm	120 mm	CTC-2478888	187.94
2426756			Bushing	85 mm		CTC-0964402	44.04
KBZ1-UP; MPG1-UP; TXA1-UP							
3494134			P-UB-10	85 mm	120 mm	CTC-3500967	312.12
3494134			Bushing	85 mm		CTC-0964402	44.04
COUPLER							
KBZ1-UP; MDT1-UP; MPG1-UP; NAS1-UP; TXA1-UP							
1728402			I-U-10	50 mm	70 mm	CTC-1728487	74.76
QUICK COUPLER							
KBZ1-UP; MDT1-UP; MPG1-UP; NAS1-UP; TXA1-UP							
2948011			P-U-10,12	2	3-1/2	CTC-3460643	60.25
STICK							
KBZ1-UP; MDT1-UP; MPG1-UP; NAS1-UP; PBD1-UP; TXA1-UP							
2426734			P-UB-10	100 mm	140 mm	CTC-2478878	270.03
2426734			Bushing	100 mm		CTC-0965625	65.58
MODEL 322							
BOOM							
1052571			P-UB-10	90 mm	130 mm	CTC-1052585	398.28
1052588			P-UB-10	100 mm	140 mm	CTC-1270630	443.61
711345			P-UB-10	90 mm	130 mm	CTC-711360	406.89
BUCKET							
0875633			P-UB-10	85 mm	120 mm	CTC-0875394	354.94
0875633			P-UB-10	85 mm	120 mm	CTC-1184131	342.72
1052597			P-UB-10	85 mm	130 mm	CTC-1052601	594.43
1185931			P-UB-10	85 mm	120 mm	CTC-1186023	365.30
418840			P-UB-10	65 mm	100 mm	CTC-418914	280.34
717291			P-UB-10	85 mm	130 mm	CTC-7Y5145	366.57
7Y5100			P-UB-10	85 mm	130 mm	CTC-7Y5145	366.57
7Y5150			P-UB-10	105 mm	150 mm	CTC-1163612	413.90
STICK							
717341			P-UB-10	100 mm	140 mm	CTC-0875387	468.63
MODEL 322B, 322BL							
BOOM							
1140636			P-UB-10	100 mm	140 mm	CTC-1184024	443.61
1184069			P-UB-10	90 mm	130 mm	CTC-1373765	652.86
1184070			P-UB-10	100 mm	140 mm	CTC-1373764	442.66
1184166			P-UB-10	90 mm	130 mm	CTC-1184175	404.99
1336869			P-UB-10	90 mm	130 mm	CTC-1540748	395.14

CATERPILLAR®

REPLACEMENT KITS FOR CATERPILLAR® EQUIPMENT

Excavators							
APPLICATION	CYL #	Misc-Parts, Instructions, etc.	CODE	ROD	BORE	KIT #	List \$
MODEL 322B, 322BL							
BUCKET							
	1183921		P-UB-10	105 mm	150 mm	CTC-1163612	413.90
	1183921		P-UB-10	105 mm	150 mm	CTC-1680758	465.24
	1184008		P-UB-10	90 mm	130 mm	CTC-1184175	404.99
	1184134		P-UB-10	85 mm	120 mm	CTC-1184131	342.72
	1232044		P-UB-10	90 mm	130 mm	CTC-1184175	404.99
	1232084		P-UB-10	90 mm	130 mm	CTC-1373768	604.17
	1232091		P-UB-10	90 mm	130 mm	CTC-1261887	529.18
	1251547		P-UB-10	65 mm	100 mm	CTC-4I8914	280.34
	1336810		P-UB-10	105 mm	150 mm	CTC-1289277	504.68
	1346987		P-UB-10	65 mm	100 mm	CTC-1764935	303.50
	1540756		P-UB-10	90 mm	130 mm	CTC-1540757	615.01
	4I1726		P-UB-10	110 mm	160 mm	CTC-0876654	437.78
	4I8840		P-UB-10	65 mm	100 mm	CTC-4I8914	280.34
STICK							
	1163638		P-UB-10	110 mm	170 mm	CTC-1680759	549.61
	1183953		P-UB-10	100 mm	140 mm	CTC-1373764	442.66
	1184000		P-UB-10	105 mm	150 mm	CTC-1163612	413.90
	1184000		P-UB-10	105 mm	150 mm	CTC-1680758	465.24
	1184176		P-UB-10	100 mm	140 mm	CTC-1184024	443.61
	1336771		P-UB-10	105 mm	150 mm	CTC-1373767	574.46
	7Y4650		P-UB-10	105 mm	150 mm	CTC-7Y4698	455.25
TILT CAB							
	N/A		P-UB-10	2-1/4	5	CTC-9X6392	219.47
UNSPECIFIED APPLICATION							
	1183967		P-UB-10	85 mm	120 mm	CTC-1261947	474.74
	1540743		P-UB-10	85 mm	120 mm	CTC-1540744	606.55
	1540747		P-UB-10	90 mm	130 mm	CTC-1540748	395.14
MODEL 322C							
BOOM							
BFK1-UP; BGR1-UP							
	1772440		P-UB-10	90 mm	130 mm	CTC-2159986	171.53
	1772440		Bushing	90 mm		CTC-1140758	54.25
	6C9407		P-UB-10	100 mm	170 mm	CTC-2330763	308.25
	6C9407		Bushing	100 mm		CTC-1140757	66.11
BKM1-UP; BLP1-UP							
	1772440		P-UB-10	90 mm	130 mm	CTC-2159986	171.53
	1772440		Bushing	90 mm		CTC-1140758	54.25
	1915580		P-UB-10	90 mm	130 mm	CTC-2590625	219.21
	1915580		Bushing	90 mm		CTC-1052575	42.49
	2043619		P-UB-10	90 mm	130 mm	CTC-2590628	219.21
	2043619		Bushing	90 mm		CTC-1052575	42.49
	2590711		P-UB-10	90 mm	130 mm	CTC-2590712	221.49
	2590711		Bushing	90 mm		CTC-1052575	42.49
	2897878		P-UB-10	90 mm	130 mm	CTC-2897878K	219.93
	2897878		Bushing	90 mm		CTC-1140758	54.25
BPH1-UP; CAM1-UP; LAR1-UP; MZH1-UP							
	1772440		P-UB-10	90 mm	130 mm	CTC-1799772	283.58
	1772440		Bushing	90 mm		CTC-1140758	54.25
	2044910		P-UB-10	90 mm	130 mm	CTC-2465940	243.32
	2044912		P-UB-10	100 mm	140 mm	CTC-2481167	196.87
	2044912		Bushing	100 mm		CTC-1140757	66.11
C3R1-UP; CBY1-UP							
	1756855		P-UB-10	100 mm	140 mm	CTC-2481163	529.78
	1756855		Bushing	100 mm		CTC-1140757	66.11

REPLACEMENT KITS FOR CATERPILLAR® EQUIPMENT

Excavators							
APPLICATION	CYL #	Misc-Parts, Instructions, etc.	CODE	ROD	BORE	KIT #	List \$
MODEL 322C							
BOOM							
DAA1-UP; FED1-UP							
	2742525		P-UB-10	90 mm	130 mm	CTC-2742526	171.26
	2742525		Bushing	90 mm		CTC-1140758	54.25
BUCKET							
BFK1-UP; BGR1-UP; BKM1-UP; BLP1-UP							
	1772446		P-UB-10	90 mm	130 mm	CTC-2159986	171.53
	1772446		Bushing	90 mm		CTC-1140758	54.25
	1772465		P-UB-10	105 mm	150 mm	CTC-1915619	222.49
	1772465		Bushing	105 mm		CTC-1140760	72.04
	2478853		P-UB-10	105 mm	150 mm	CTC-1915619	222.49
	2478853		Bushing	105 mm		CTC-1140760	72.04
BKM1-UP							
	1346987		P-UB-10	65 mm	100 mm	CTC-1764935	303.50
	1346987		Bushing	65 mm		CTC-1140754	32.58
	2043689		P-UB-10	85 mm	120 mm	CTC-2479001	203.28
	2043689		Bushing	85 mm		CTC-0964402	44.04
BKM1-UP; BLP1-UP							
	1772453		P-UB-10	90 mm	130 mm	CTC-1261887	529.18
	1772453		Bushing	90 mm		CTC-1052575	42.49
	1850346		P-UB-10	85 mm	120 mm	CTC-1540744	606.55
	1850346		Bushing	85 mm		CTC-0964402	44.04
	1915584		P-UB-10	90 mm	130 mm	CTC-2590626	192.43
	1915584		Bushing	90 mm		CTC-1052575	42.49
	2043621		P-UB-10	90 mm	130 mm	CTC-2590627	192.43
	2043621		Bushing	90 mm		CTC-1052575	42.49
	2043696		P-UB-10	85 mm	120 mm	CTC-2479000	203.28
	2043696		Bushing	85 mm		CTC-0964402	44.04
	2590705		P-UB-10	85 mm	120 mm	CTC-2590706	203.28
	2590705		Bushing	85 mm		CTC-0964402	44.04
	2590718		P-UB-10	90 mm	130 mm	CTC-2590719	194.75
	2590718		Bushing	90 mm		CTC-1052575	42.49
	2590746		P-UB-10	105 mm	150 mm	CTC-2590743	171.76
	2590746		Bushing	105 mm		CTC-1140760	72.04
	2897887		P-UB-10	90 mm	130 mm	CTC-2159986	171.53
	2897887		Bushing	90 mm		CTC-1140758	54.25
BKM243-UP; BLP180-UP							
	2043617		P-UB-10	85 mm	120 mm	CTC-2043627	191.82
	2043617		Bushing	85 mm		CTC-0964402	44.04
BPH1-UP; CAM1-UP; LAR1-UP; MZH1-UP							
	2044914		P-UB-10	90 mm	130 mm	CTC-2465940	243.32
C3R1-296; CBY1-UP							
	1232044		P-UB-10	90 mm	130 mm	CTC-1764914	194.61
	1232044		Bushing	90 mm		CTC-1140758	54.25
C3R297-UP							
	1799764		P-UB-10	90 mm	130 mm	CTC-2159986	171.53
	1799764		Bushing	90 mm		CTC-1140758	54.25
DAA1-UP; FED1-UP							
	2742521		P-UB-10	85 mm	120 mm	CTC-2742511	161.43
	2742521		Bushing	85 mm		CTC-1140756	47.03
	2742532		P-UB-10	90 mm	130 mm	CTC-2742526	171.26
	2742532		Bushing	90 mm		CTC-1140758	54.25
CAB TILT							
BPH1-UP; C3R1001-UP; CAM1-UP; LAR1001-UP; LAR1-UP; MZH1-UP							
	1175148		P-UB-10	2-1/4	5	CTC-2417578	87.32
	2632914		P-UB-10	2-1/4	5	CTC-2417578	87.32

CATERPILLAR®

REPLACEMENT KITS FOR CATERPILLAR® EQUIPMENT

Excavators							
APPLICATION	CYL #	Misc-Parts, Instructions, etc.	CODE	ROD	BORE	KIT #	List \$
MODEL 322C							
GRAPPLE							
CBY1-UP							
1504569			P-UB-10	2-1/2	4	CTC-1533724	293.46
STICK							
BFK1-UP; BGR1-UP; BKM1-UP; BLP1-UP							
1772443			P-UB-10	100 mm	140 mm	CTC-2159985	168.04
1772443			Bushing	100 mm		CTC-1140757	66.11
BKM1-UP							
1169123			P-UB-10	105 mm	150 mm	CTC-1997416	282.84
1169123			Bushing	105 mm		CTC-1140760	72.04
BKM1-UP; BLP1-UP							
1915582			P-UB-10	100 mm	140 mm	CTC-2590631	211.41
1915582			Bushing	100 mm		CTC-0965625	65.58
2043620			P-UB-10	100 mm	140 mm	CTC-2590633	211.41
2043620			Bushing	100 mm		CTC-0965625	65.58
2590715			P-UB-10	100 mm	140 mm	CTC-2590699	211.41
2590715			Bushing	100 mm		CTC-0965625	65.58
BPH1-UP; CAM1-UP; LAR1-UP; MZH1-UP							
1772443			P-UB-10	100 mm	140 mm	CTC-1589093	168.04
C3R1-UP; CBY1-UP							
1336771			P-UB-10	105 mm	150 mm	CTC-1373767	574.46
1336771			Bushing	105 mm		CTC-0995572	56.41
1433201			P-UB-10	110 mm	170 mm	CTC-1433201K	329.72
1433201			Bushing	110 mm		CTC-1140761	114.55
CBY1-UP							
1163638			P-UB-10	110 mm	170 mm	CTC-1680759	549.61
1163638			Bushing	110 mm		CTC-1140761	114.55
DAA1-UP; FED1-UP							
2742529			P-UB-10	100 mm	140 mm	CTC-2742515	232.31
2742529			Bushing	100 mm		CTC-1140757	66.11
2897884			P-UB-10	100 mm	140 mm	CTC-2478792	254.17
2897884			Bushing	100 mm		CTC-1140757	66.11
MODEL 322C FM LGP							
BOOM							
BYL1-UP							
1756855			P-UB-10	100 mm	140 mm	CTC-2481163	529.78
1756855			Bushing	100 mm		CTC-1140757	66.11
1772440			P-UB-10	90 mm	130 mm	CTC-1799772	283.58
1772440			Bushing	90 mm		CTC-1140758	54.25
BUCKET							
BYL1-UP							
1799764			P-UB-10	90 mm	130 mm	CTC-2159986	171.53
1799764			Bushing	90 mm		CTC-1140758	54.25
CAB TILT							
BYL1001-UP							
2632914	O-ring kit. 2 per application.		O-ring Kit			CTC-1143616	8.41
2632914			P-UB-10	2-1/4	5	CTC-2417578	87.32
BYL1-UP							
1175148	O-ring kit. 2 per application.		O-ring Kit			CTC-1143616	8.41
1175148			P-UB-10	2-1/4	5	CTC-2417578	87.32
STICK							
BYL1-UP							
1336771			P-UB-10	105 mm	150 mm	CTC-1373767	574.46
1336771			Bushing	105 mm		CTC-0995572	56.41
1913118			P-UB-10	110 mm	170 mm	CTC-1913171	329.72
1913118			Bushing	110 mm		CTC-1140761	114.55

REPLACEMENT KITS FOR CATERPILLAR® EQUIPMENT

Excavators							
APPLICATION	CYL #	Misc-Parts, Instructions, etc.	CODE	ROD	BORE	KIT #	List \$
MODEL 322C L							
BOOM							
BKJ1-UP							
1772440		P-UB-10	90 mm	130 mm	CTC-1799772		283.58
1772440		Bushing	90 mm		CTC-1140758		54.25
2044910		P-UB-10	90 mm	130 mm	CTC-2465940		243.32
2044912		P-UB-10	100 mm	140 mm	CTC-2481167		196.87
2044912		Bushing	100 mm		CTC-1140757		66.11
BKM1-UP; BLP1-UP							
1772440		P-UB-10	90 mm	130 mm	CTC-2159986		171.53
1772440		Bushing	90 mm		CTC-1140758		54.25
1915580		P-UB-10	90 mm	130 mm	CTC-2590625		219.21
1915580		Bushing	90 mm		CTC-1052575		42.49
2043619		P-UB-10	90 mm	130 mm	CTC-2590628		219.21
2043619		Bushing	90 mm		CTC-1052575		42.49
2590711		P-UB-10	90 mm	130 mm	CTC-2590712		221.49
2590711		Bushing	90 mm		CTC-1052575		42.49
2897878		P-UB-10	90 mm	130 mm	CTC-2897878K		219.93
2897878		Bushing	90 mm		CTC-1140758		54.25
DAA1-UP; FED1-UP							
2742525		P-UB-10	90 mm	130 mm	CTC-2742526		171.26
2742525		Bushing	90 mm		CTC-1140758		54.25
EMR1-UP; MAR1-UP							
1772440		P-UB-10	90 mm	130 mm	CTC-2159986		171.53
1772440		Bushing	90 mm		CTC-1140758		54.25
2113069		P-UB-10	100 mm	170 mm	CTC-2519341		362.88
2113069		Bushing	100 mm		CTC-1140757		66.11
BUCKET							
BKJ1-UP							
1589061		P-U-10	85 mm	120 mm	CTC-2366389		150.28
1589061		Bushing	85 mm		CTC-1140756		47.03
2044914		P-UB-10	90 mm	130 mm	CTC-2465940		243.32
BKJ1-UP; BKM1-UP							
1346987		P-UB-10	65 mm	100 mm	CTC-1764935		303.50
1346987		Bushing	65 mm		CTC-1140754		32.58
BKJ1-UP; BKM1-UP; BLP1-UP; EMR1-UP; MAR1-UP							
1772446		P-UB-10	90 mm	130 mm	CTC-2159986		171.53
1772446		Bushing	90 mm		CTC-1140758		54.25
1772465		P-UB-10	105 mm	150 mm	CTC-1915619		222.49
1772465		Bushing	105 mm		CTC-1140760		72.04
BKM1-UP							
2043689		P-UB-10	85 mm	120 mm	CTC-2479001		203.28
2043689		Bushing	85 mm		CTC-0964402		44.04

CATERPILLAR®

REPLACEMENT KITS FOR CATERPILLAR® EQUIPMENT

Excavators							
APPLICATION	CYL #	Misc-Parts, Instructions, etc.	CODE	ROD	BORE	KIT #	List \$
MODEL 322C L							
BUCKET							
BKM1-UP; BLP1-UP							
1772453			P-UB-10	90 mm	130 mm	CTC-1261887	529.18
1772453			Bushing	90 mm		CTC-1052575	42.49
1850346			P-UB-10	85 mm	120 mm	CTC-1540744	606.55
1850346			Bushing	85 mm		CTC-0964402	44.04
1915584			P-UB-10	90 mm	130 mm	CTC-2590626	192.43
1915584			Bushing	90 mm		CTC-1052575	42.49
2043621			P-UB-10	90 mm	130 mm	CTC-2590627	192.43
2043621			Bushing	90 mm		CTC-1052575	42.49
2043696			P-UB-10	85 mm	120 mm	CTC-2479000	203.28
2043696			Bushing	85 mm		CTC-0964402	44.04
2590705			P-UB-10	85 mm	120 mm	CTC-2590706	203.28
2590705			Bushing	85 mm		CTC-0964402	44.04
2590718			P-UB-10	90 mm	130 mm	CTC-2590719	194.75
2590718			Bushing	90 mm		CTC-1052575	42.49
2590746			P-UB-10	105 mm	150 mm	CTC-2590743	171.76
2590746			Bushing	105 mm		CTC-1140760	72.04
2897887			P-UB-10	90 mm	130 mm	CTC-2159986	171.53
2897887			Bushing	90 mm		CTC-1140758	54.25
BKM1-UP; BLP1-UP; EMR1-UP; MAR1-UP							
2478853			P-UB-10	105 mm	150 mm	CTC-1915619	222.49
2478853			Bushing	105 mm		CTC-1140760	72.04
BKM243-UP; BLP180-UP							
2043617			P-UB-10	85 mm	120 mm	CTC-2043627	191.82
2043617			Bushing	85 mm		CTC-0964402	44.04
DAA1-UP; FED1-UP							
2742521			P-UB-10	85 mm	120 mm	CTC-2742511	161.43
2742521			Bushing	85 mm		CTC-1140756	47.03
2742532			P-UB-10	90 mm	130 mm	CTC-2742526	171.26
2742532			Bushing	90 mm		CTC-1140758	54.25
HEK1-UP							
1709808			P-UB-10	65 mm	100 mm	CTC-1709941	177.94
1709808			Bushing	65 mm		CTC-1140754	32.58
QUICK COUPLER							
BKJ1-UP							
1728402			I-U-10	50 mm	70 mm	CTC-1728487	74.76
STICK							
BKJ1-UP							
1169123			P-UB-10	105 mm	150 mm	CTC-1997416	282.84
1169123			Bushing	105 mm		CTC-1140760	72.04
1772443			P-UB-10	100 mm	140 mm	CTC-1589093	168.04
BKM1-UP							
1169123			P-UB-10	105 mm	150 mm	CTC-1997416	282.84
1169123			Bushing	105 mm		CTC-1140760	72.04
BKM1-UP; BLP1-UP							
1915582			P-UB-10	100 mm	140 mm	CTC-2590631	211.41
1915582			Bushing	100 mm		CTC-0965625	65.58
2043620			P-UB-10	100 mm	140 mm	CTC-2590633	211.41
2043620			Bushing	100 mm		CTC-0965625	65.58
2590715			P-UB-10	100 mm	140 mm	CTC-2590699	211.41
2590715			Bushing	100 mm		CTC-0965625	65.58
BKM1-UP; BLP1-UP; EMR1-UP; MAR1-UP							
1772443			P-UB-10	100 mm	140 mm	CTC-2159985	168.04
1772443			Bushing	100 mm		CTC-1140757	66.11

REPLACEMENT KITS FOR CATERPILLAR® EQUIPMENT

Excavators							
APPLICATION	CYL #	Misc-Parts, Instructions, etc.	CODE	ROD	BORE	KIT #	List \$
MODEL 322C L							
STICK							
DAA1-UP; EMR1-UP; FED1-UP; MAR1-UP							
2897884			P-UB-10	100 mm	140 mm	CTC-2478792	254.17
2897884			Bushing	100 mm		CTC-1140757	66.11
DAA1-UP; FED1-UP							
2742529			P-UB-10	100 mm	140 mm	CTC-2742515	232.31
2742529			Bushing	100 mm		CTC-1140757	66.11
HEK1-UP							
2166607			P-UB-10	105 mm	150 mm	CTC-1915619	222.49
2166607			Bushing	105 mm		CTC-1140760	72.04
MODEL 322C LN							
BOOM							
BFK1-UP; BGR1-UP							
6C9407			P-UB-10	100 mm	170 mm	CTC-2330763	308.25
6C9407			Bushing	100 mm		CTC-1140757	66.11
BFK1-UP; BGR1-UP; EMR1-UP; MAR1-UP							
1772440			P-UB-10	90 mm	130 mm	CTC-2159986	171.53
1772440			Bushing	90 mm		CTC-1140758	54.25
EMR1-UP; MAR1-UP							
2113069			P-UB-10	100 mm	170 mm	CTC-2519341	362.88
2113069			Bushing	100 mm		CTC-1140757	66.11
BUCKET							
BFK1-UP; BGR1-UP; EMR1-UP; MAR1-UP							
1772446			P-UB-10	90 mm	130 mm	CTC-2159986	171.53
1772446			Bushing	90 mm		CTC-1140758	54.25
1772465			P-UB-10	105 mm	150 mm	CTC-1915619	222.49
1772465			Bushing	105 mm		CTC-1140760	72.04
2478853			P-UB-10	105 mm	150 mm	CTC-1915619	222.49
2478853			Bushing	105 mm		CTC-1140760	72.04
STICK							
BFK1-UP; BGR1-UP; EMR1-UP; MAR1-UP							
1772443			P-UB-10	100 mm	140 mm	CTC-2159985	168.04
1772443			Bushing	100 mm		CTC-1140757	66.11
EMR1-UP; MAR1-UP							
2897884			P-UB-10	100 mm	140 mm	CTC-2478792	254.17
2897884			Bushing	100 mm		CTC-1140757	66.11
MODEL 322L							
BOOM							
1052571			P-UB-10	90 mm	130 mm	CTC-1052585	398.28
1052588			P-UB-10	100 mm	140 mm	CTC-1270630	443.61
711345			P-UB-10	90 mm	130 mm	CTC-711360	406.89
BUCKET							
1052597			P-UB-10	85 mm	130 mm	CTC-1052601	594.43
717291			P-UB-10	85 mm	130 mm	CTC-7Y5145	366.57
7Y5100			P-UB-10	85 mm	130 mm	CTC-7Y5145	366.57
7Y5150			P-UB-10	105 mm	150 mm	CTC-1163612	413.90
875633			P-UB-10	85 mm	120 mm	CTC-0875394	354.94
STICK							
717341			P-UB-10	100 mm	140 mm	CTC-0875387	468.63
MODEL 322N							
BOOM							
711345			P-UB-10	90 mm	130 mm	CTC-711360	406.89
BUCKET							
717291			P-UB-10	85 mm	130 mm	CTC-7Y5145	366.57
7Y5100			P-UB-10	85 mm	130 mm	CTC-7Y5145	366.57
7Y5150			P-UB-10	105 mm	150 mm	CTC-1163612	413.90

CATERPILLAR®

REPLACEMENT KITS FOR CATERPILLAR® EQUIPMENT

Excavators							
APPLICATION	CYL #	Misc-Parts, Instructions, etc.	CODE	ROD	BORE	KIT #	List \$
MODEL 322N							
STICK							
	717341		P-UB-10	100 mm	140 mm	CTC-0875387	468.63
MODEL 323F L							
BOOM							
XCF1-UP							
	3412790		P-UB-10	85 mm	120 mm	CTC-4560197	185.55
	3412790		Bushing	85 mm		CTC-0964402	44.04
YEJ1-UP							
	3319283		P-UB-10	90 mm	125 mm	CTC-4560198	199.17
	3319283		Bushing	90 mm		CTC-1052575	42.49
BUCKET							
XCF1-UP							
	3852834		P-UB-14	70 mm	100 mm	CTC-3904227	306.68
	3852834		Bushing	70 mm		CTC-3904158	31.10
XCF1-UP; YEJ1-UP							
	3412814		P-UB-10	85 mm	120 mm	CTC-4560207	180.45
	3412814		Bushing	85 mm		CTC-0964402	44.04
	3568788		P-UB-10	85 mm	120 mm	CTC-3979294	200.51
	3568788		Bushing	85 mm		CTC-1140756	47.03
BUCKET LH							
XCF1-UP; YEJ1-UP							
	4699342		P-U-10	50 mm	80 mm	CTC-5016702	104.94
BUCKET RH							
XCF1-UP; YEJ1-UP							
	4699353		P-U-10	50 mm	80 mm	CTC-5016702	104.94
COUPLER							
XCF1-UP; YEJ1-UP							
	3909505		I-U-10	1-1/2	2-1/2	CTC-4536523	21.00
STICK							
XCF1-UP							
	3412177		P-UB-10	105 mm	150 mm	CTC-4560205	307.70
	3412177		Bushing	105 mm		CTC-0995572	56.41
XCF1-UP; YEJ1-UP							
	3412802		P-UB-10	100 mm	140 mm	CTC-4560202	257.32
	3412802		Bushing	100 mm		CTC-0965625	65.58
TRACK ADJUSTER							
XCF1-UP; YEJ1-UP							
	2394390		TRK ADJ			CTC-SK100110	61.23
MODEL 324D L							
BOOM							
BTK1-UP; JYG1-UP; LAB1-UP; PYT1-UP; SYM1-UP							
	2897957		P-UB-10	95 mm	135 mm	CTC-2344488	196.26
	2897957		Bushing	95 mm		CTC-1289260	56.30
DFP1-UP; JAT1-UP							
	2667981		P-UB-10	95 mm	135 mm	CTC-2668013	234.56
	2667981		Bushing	95 mm		CTC-0964430	47.85
	2667981		Link Pin Seal	90 mm		CTC-1661495	40.12
	2667981		Link Pin Seal	90 mm		CTC-7X4803	40.12
DFP1-UP; JAT1-UP; PYT1-UP							
	2426858		P-UB-10	95 mm	135 mm	CTC-2590665	234.56
	2426858		Bushing	95 mm		CTC-0964430	47.85
	2426858		Link Pin Seal	90 mm		CTC-1661495	40.12
	2426858		Link Pin Seal	90 mm		CTC-7X4803	40.12
	2426862		P-UB-10	100 mm	140 mm	CTC-2478974	270.03
	2426862		Bushing	100 mm		CTC-0965625	65.58

REPLACEMENT KITS FOR CATERPILLAR® EQUIPMENT

Excavators							
APPLICATION	CYL #	Misc-Parts, Instructions, etc.	CODE	ROD	BORE	KIT #	List \$
MODEL 324D L							
BOOM							
DFP1-UP; JAT1-UP; PYT1-UP; TSN1-UP							
2426867			P-UB-10	95 mm	135 mm	CTC-2590774	227.74
2426867			Bushing	95 mm		CTC-0964430	47.85
2426867			Link Pin Seal	90 mm		CTC-1661495	40.12
2426867			Link Pin Seal	90 mm		CTC-7X4803	40.12
JJG1-UP; LAB1-UP; SYM1-UP							
2426849			P-UB-10	95 mm	135 mm	CTC-2344488	196.26
2426849			Bushing	95 mm		CTC-1289260	56.30
BUCKET							
BTK1-UP; JJG1-UP; LAB1-UP; PYT1-UP; SYM1-UP							
2897975			P-UB-10	90 mm	130 mm	CTC-2159986	171.53
2897975			Bushing	90 mm		CTC-1140758	54.25
3154451			P-UB-10	105 mm	150 mm	CTC-1915619	222.49
3154451			Bushing	105 mm		CTC-1140760	72.04
DFP1-UP							
3494134			P-UB-10	85 mm	120 mm	CTC-3500967	312.12
3494134			Bushing	85 mm		CTC-0964402	44.04
DFP1-UP; JAT1-UP							
2667985			P-UB-10	90 mm	130 mm	CTC-2668014	561.53
2667985			Bushing	90 mm		CTC-1052575	42.49
2897699			P-UB-10	70 mm	100 mm	CTC-2836179	266.41
2897699			Bushing	70 mm		CTC-1140753	37.46
DFP1-UP; JAT1-UP; PYT1-UP							
2426756			P-UB-10	85 mm	120 mm	CTC-2478888	187.94
2426756			Bushing	85 mm		CTC-0964402	44.04
2426759			P-UB-10	85 mm	120 mm	CTC-2667892	187.94
2426759			Bushing	85 mm		CTC-0964402	44.04
2426864			P-UB-10	90 mm	130 mm	CTC-2590678	178.59
2426864			Bushing	90 mm		CTC-1052575	42.49
DFP1-UP; JAT1-UP; PYT1-UP; SYM1-UP							
3154442			P-UB-10	105 mm	150 mm	CTC-1915619	222.49
3154442			Bushing	105 mm		CTC-1140760	72.04
DFP1-UP; JAT1-UP; PYT1-UP; TSN1-UP							
2426871			P-UB-10	90 mm	130 mm	CTC-2590776	417.26
2426871			Bushing	90 mm		CTC-1052575	42.49
3154449			P-UB-10	105 mm	150 mm	CTC-2502475	186.64
3154449			Bushing	105 mm		CTC-1140760	72.04
DFP1-UP; JJG1-UP							
2487855			P-UB-10	65 mm	100 mm	CTC-1709941	177.94
2487855			Bushing	65 mm		CTC-1140754	32.58
2836118			P-UB-10	65 mm	100 mm	CTC-1709941	177.94
2836118			Bushing	65 mm		CTC-1140754	32.58
JJG1-UP							
2426767			P-UB-10	85 mm	120 mm	CTC-2478790	150.28
2426767			Bushing	85 mm		CTC-1140756	47.03
JJG1-UP; LAB1-UP; SYM1-UP							
2426855			P-UB-10	90 mm	130 mm	CTC-2159986	171.53
2426855			Bushing	90 mm		CTC-1140758	54.25
2898012			P-UB-10	105 mm	150 mm	CTC-1915619	222.49
2898012			Bushing	105 mm		CTC-1140760	72.04
JJG1-UP; PYT1-UP							
2897948			P-UB-10	85 mm	120 mm	CTC-2478790	150.28
2897948			Bushing	85 mm		CTC-1140756	47.03

CATERPILLAR®

REPLACEMENT KITS FOR CATERPILLAR® EQUIPMENT

Excavators							
APPLICATION	CYL #	Misc-Parts, Instructions, etc.	CODE	ROD	BORE	KIT #	List \$
MODEL 324D L							
BUCKET							
JJG1-UP; SYM1-UP							
2254581			P-UB-10	105 mm	150 mm	CTC-1915619	222.49
2254581			Bushing	105 mm		CTC-1140760	72.04
PYT1-UP							
2898086			P-UB-10	70 mm	100 mm	CTC-2836179	266.41
2898086			Bushing	70 mm		CTC-1140753	37.46
CAB RISER							
DFP1-UP							
2358287			P-UB-14	60 mm	90 mm	CTC-1697827	283.54
2358287			Bushing	60 mm		CTC-1140751	30.71
COUPLER							
BTK1-UP; SYM1-UP							
1690753			P-U-5	40 mm	70 mm	CTC-2191322	47.37
SYM1-UP							
1690329			I-U-5	40 mm	60 mm	CTC-2027897	56.71
FORE BOOM							
SYM1-UP							
2798111			P-UB-10	100 mm	170 mm	CTC-2519341	362.88
2798111			Bushing	100 mm		CTC-1140757	66.11
STICK							
BTK1-UP; JJG270-UP; LAB1-UP; SYM1-UP							
2897967			P-UB-10	100 mm	140 mm	CTC-2478792	254.17
2897967			Bushing	100 mm		CTC-1140757	66.11
DFP1-UP; JAT1-UP							
2667983			P-UB-10	100 mm	140 mm	CTC-2668012	270.03
2667983			Bushing	100 mm		CTC-0965625	65.58
DFP1-UP; JAT1-UP; JJG1-UP; PYT-UP							
2166607			P-UB-10	105 mm	150 mm	CTC-1915619	222.49
2166607			Bushing	105 mm		CTC-1140760	72.04
DFP1-UP; JAT1-UP; PYT1-UP							
2426860			P-UB-10	100 mm	140 mm	CTC-2478878	270.03
2426860			Bushing	100 mm		CTC-0965625	65.58
DFP1-UP; JAT1-UP; PYT1-UP; TSN1-UP							
2426869			P-UB-10	100 mm	140 mm	CTC-2590775	270.03
2426869			Bushing	100 mm		CTC-0965625	65.58
JJG1-UP; LAB1-UP; SYM1-UP							
2426852			P-UB-10	100 mm	140 mm	CTC-2478792	254.17
2426852			Bushing	100 mm		CTC-1140757	66.11
MODEL 324E							
BOOM							
JCZ1-UP							
3408939			P-UB-10	95 mm	135 mm	CTC-4560199	233.83
3408939			Bushing	95 mm		CTC-0964430	47.85
BUCKET							
JCZ1-UP							
3408949			P-UB-10	90 mm	130 mm	CTC-4560208	301.65
3408949			Bushing	90 mm		CTC-1052575	42.49
3579766			P-UB-10	105 mm	150 mm	CTC-3249485	257.86
3579766			Bushing	105 mm		CTC-1140760	72.04
COUPLER							
JCZ1-UP							
2948011			P-U-10,12	2	3-1/2	CTC-3460643	60.25

CATERPILLAR®

REPLACEMENT KITS FOR CATERPILLAR® EQUIPMENT

Excavators							
APPLICATION	CYL #	Misc-Parts, Instructions, etc.	CODE	ROD	BORE	KIT #	List \$
MODEL 324E							
STICK							
JCZ1-UP							
3408944			P-UB-10	100 mm	140 mm	CTC-4560204	247.00
3408944			Bushing	100 mm		CTC-0965625	65.58
TRACK ADJUSTER							
JCZ1-UP							
2394373			TRK ADJ			CTC-SK100161	100.73
MODEL 324E L							
BOOM							
KTE1-UP; PNW1-UP; TLF1-UP							
3408939			P-UB-10	95 mm	135 mm	CTC-4560199	233.83
3408939			Bushing	95 mm		CTC-0964430	47.85
BUCKET							
KTE1-UP; PNW1-UP							
3852834			P-UB-14	70 mm	100 mm	CTC-3904227	306.68
3852834			Bushing	70 mm		CTC-3904158	31.10
KTE1-UP; PNW1-UP; TLF1-UP							
3408949			P-UB-10	90 mm	130 mm	CTC-4560208	301.65
3408949			Bushing	90 mm		CTC-1052575	42.49
3579766			P-UB-10	105 mm	150 mm	CTC-3249485	257.86
3579766			Bushing	105 mm		CTC-1140760	72.04
3582108			P-UB-10	70 mm	100 mm	CTC-3494121	255.14
3582108			Bushing	70 mm		CTC-1140753	37.46
PNW1-UP; TLF1-UP							
3566515			P-UB-10	95 mm	135 mm	CTC-3979295	336.69
3566515			Bushing	95 mm		CTC-1289260	56.30
COUPLER							
KTE1-UP; PNW1-UP; TLF1-UP							
2948011			P-U-10,12	2	3-1/2	CTC-3460643	60.25
COUPLER LOCK							
TLF1-UP							
1690753			P-U-5	40 mm	70 mm	CTC-2191322	47.37
FORE BOOM							
TLF1-UP							
2798111			P-UB-10	100 mm	170 mm	CTC-2519341	362.88
2798111			Bushing	100 mm		CTC-1140757	66.11
STICK							
KTE1-UP; PNW1-UP; TLF1-UP							
2166607	Type 1		P-UB-10	105 mm	150 mm	CTC-1915619	222.49
2166607	Type 2		P-UB-10	105 mm	150 mm	CTC-3249485	257.86
2166607	Type 1 & 2		Bushing	105 mm		CTC-1140760	72.04
3408944			P-UB-10	100 mm	140 mm	CTC-4560204	247.00
3408944			Bushing	100 mm		CTC-0965625	65.58
PNW1-UP; TLF1-UP							
3408947			P-UB-10	100 mm	140 mm	CTC-4560204	247.00
3408947			Bushing	100 mm		CTC-0965625	65.58
TRACK ADJUSTER							
KTE1-UP; PNW1-UP; TLF1-UP							
2394373			TRK ADJ			CTC-SK100161	100.73
MODEL 324E LN							
BOOM							
LDG1-UP							
3408939			P-UB-10	95 mm	135 mm	CTC-4560199	233.83
3408939			Bushing	95 mm		CTC-0964430	47.85

REPLACEMENT KITS FOR CATERPILLAR® EQUIPMENT

Excavators							
APPLICATION	CYL #	Misc-Parts, Instructions, etc.	CODE	ROD	BORE	KIT #	List \$
MODEL 324E LN							
BUCKET							
LDG1-UP							
3408949			P-UB-10	90 mm	130 mm	CTC-4560208	301.65
3408949			Bushing	90 mm		CTC-1052575	42.49
3566515			P-UB-10	95 mm	135 mm	CTC-3979295	336.69
3566515			Bushing	95 mm		CTC-1289260	56.30
3579766			P-UB-10	105 mm	150 mm	CTC-3249485	257.86
3579766			Bushing	105 mm		CTC-1140760	72.04
COUPLER							
LDG1-UP							
2948011			P-U-10,12	2	3-1/2	CTC-3460643	60.25
COUPLER LOCK							
LDG1-UP							
1690753			P-U-5	40 mm	70 mm	CTC-2191322	47.37
FORE BOOM							
LDG1-UP							
2798111			P-UB-10	100 mm	170 mm	CTC-2519341	362.88
2798111			Bushing	100 mm		CTC-1140757	66.11
STICK							
LDG1-UP							
2166607	Type 1		P-UB-10	105 mm	150 mm	CTC-1915619	222.49
2166607	Type 2		P-UB-10	105 mm	150 mm	CTC-3249485	257.86
2166607	Type 1 & 2		Bushing	105 mm		CTC-1140760	72.04
3408944			P-UB-10	100 mm	140 mm	CTC-4560204	247.00
3408944			Bushing	100 mm		CTC-0965625	65.58
3408947			P-UB-10	100 mm	140 mm	CTC-4560204	247.00
3408947			Bushing	100 mm		CTC-0965625	65.58
TRACK ADJUSTER							
LDG1-UP							
2394373			TRK ADJ			CTC-SK100161	100.73
MODEL 325B, 325BL							
BOOM							
1077040			P-UB-10	100 mm	140 mm	CTC-1373766	424.92
1140636			P-UB-10	100 mm	140 mm	CTC-1184024	443.61
1169123			P-UB-10	105 mm	150 mm	CTC-1163612	413.90
1232081			P-UB-10	105 mm	150 mm	CTC-1373767	574.46
1540760			P-UB-10	100 mm	140 mm	CTC-1540761	524.30
BUCKET							
1183921			P-UB-10	105 mm	150 mm	CTC-1163612	413.90
1183921			P-UB-10	105 mm	150 mm	CTC-1680758	465.24
1184134			P-UB-10	85 mm	120 mm	CTC-1184131	342.72
1232044			P-UB-10	90 mm	130 mm	CTC-1184175	404.99
1232044	325BL Only		P-UB-10	90 mm	130 mm	CTC-1764914	194.61
1232084			P-UB-10	90 mm	130 mm	CTC-1373768	604.17
1336810			P-UB-10	105 mm	150 mm	CTC-1289277	504.68
1497610			P-UB-10	90 mm	130 mm	CTC-1184175	404.99
1540756			P-UB-10	90 mm	130 mm	CTC-1540757	615.01
1540772			P-UB-10	90 mm	130 mm	CTC-1540773	614.58
411726			P-UB-10	110 mm	160 mm	CTC-0876654	437.78
417652			P-UB-10	65 mm	100 mm	CTC-417664	280.46
418840			P-UB-10	65 mm	100 mm	CTC-418914	280.34

REPLACEMENT KITS FOR CATERPILLAR® EQUIPMENT

Excavators							
APPLICATION	CYL #	Misc-Parts, Instructions, etc.	CODE	ROD	BORE	KIT #	List \$
MODEL 325B, 325BL							
STICK							
	0875375		P-UB-10	130 mm	180 mm	CTC-0875407	546.07
	1163638		P-UB-10	110 mm	170 mm	CTC-1680759	549.61
	1184000		P-UB-10	105 mm	150 mm	CTC-1163612	413.90
	1184000		P-UB-10	105 mm	150 mm	CTC-1680758	465.24
	1232081		P-UB-10	105 mm	150 mm	CTC-1373767	574.46
	1479427		P-UB-10	105 mm	150 mm	CTC-1680758	465.24
	1540765		P-UB-10	105 mm	150 mm	CTC-1540766	538.28
	7Y4650		P-UB-10	105 mm	150 mm	CTC-7Y4698	455.25
MODEL 325C							
BOOM							
AMH1-UP; BKW1-UP; BMM1-UP; BTD1-UP							
	2096006		P-UB-10	100 mm	140 mm	CTC-2590634	207.45
	2096006		Bushing	100 mm		CTC-0965625	65.58
BKW1-UP; BMM1-UP							
	1799789		P-UB-10	100 mm	140 mm	CTC-1336823	440.47
	1799789		Bushing	100 mm		CTC-0965625	65.58
	1915587		P-UB-10	100 mm	140 mm	CTC-2590632	207.45
	1915587		Bushing	100 mm		CTC-0965625	65.58
	2590724		P-UB-10	100 mm	140 mm	CTC-2590725	207.45
	2590724		Bushing	100 mm		CTC-0965625	65.58
JLC1-UP							
	2033906		P-UB-10	105 mm	150 mm	CTC-1915619	222.49
	2033906		Bushing	105 mm		CTC-1140760	72.04
JLC1-UP; JLD1-UP							
	1799782		P-UB-10	100 mm	140 mm	CTC-2159985	168.04
	1799782		Bushing	100 mm		CTC-1140757	66.11
	1915548		P-UB-10	105 mm	150 mm	CTC-1915619	222.49
	1915548		Bushing	105 mm		CTC-1140760	72.04
	2113069		P-UB-10	100 mm	170 mm	CTC-2519341	362.88
	2113069		Bushing	100 mm		CTC-1140757	66.11
	2502419		P-UB-10	105 mm	150 mm	CTC-2426840	240.72
	2502419		Bushing	105 mm		CTC-1140760	72.04
BUCKET							
AMH1-UP; BKW1-UP; BMM1-UP; BTD1-UP							
	2096011		P-UB-10	90 mm	130 mm	CTC-2590627	192.43
	2096011		Bushing	90 mm		CTC-1052575	42.49
AMH1-UP; BTD1-UP; JLC1-UP; JLD1-UP							
	1772465		P-UB-10	105 mm	150 mm	CTC-1915619	222.49
	1772465		Bushing	105 mm		CTC-1140760	72.04
	2478853		P-UB-10	105 mm	150 mm	CTC-1915619	222.49
	2478853		Bushing	105 mm		CTC-1140760	72.04
BKW1-UP; BMM1-UP							
	1799793		P-UB-10	90 mm	130 mm	CTC-2590626	192.43
	1799793		Bushing	90 mm		CTC-1052575	42.49
	1948276		P-UB-10	105 mm	150 mm	CTC-2003315	222.49
	1948276		Bushing	105 mm		CTC-1140760	72.04
	2478854		P-UB-10	105 mm	150 mm	CTC-2502475	186.64
	2478854		Bushing	105 mm		CTC-1140760	72.04
	2590732		P-UB-10	90 mm	130 mm	CTC-2590719	194.75
	2590732		Bushing	90 mm		CTC-1052575	42.49
JLC1-UP							
	2201532		P-UB-10	100 mm	140 mm	CTC-2159985	168.04
	2201532		Bushing	100 mm		CTC-1140757	66.11

CATERPILLAR®

REPLACEMENT KITS FOR CATERPILLAR® EQUIPMENT

Excavators							
APPLICATION	CYL #	Misc-Parts, Instructions, etc.	CODE	ROD	BORE	KIT #	List \$
MODEL 325C							
BUCKET							
JLC1-UP; JLD1-UP							
1799764			P-UB-10	90 mm	130 mm	CTC-2159986	171.53
1799764			Bushing	90 mm		CTC-1140758	54.25
STICK							
AMH1-UP; BKW1-UP; BMM1-UP; BTD1-UP							
1799791			P-UB-10	105 mm	150 mm	CTC-2590637	471.85
1799791			Bushing	105 mm		CTC-0995572	56.41
2096008			P-UB-10	105 mm	150 mm	CTC-2590637	471.85
2096008			Bushing	105 mm		CTC-0995572	56.41
BKW1-UP; BMM1-UP							
1915589			P-UB-10	105 mm	150 mm	CTC-2590636	471.85
1915589			Bushing	105 mm		CTC-0995572	56.41
2590728			P-UB-10	105 mm	150 mm	CTC-2590729	471.85
2590728			Bushing	105 mm		CTC-0995572	56.41
JLC1-UP							
2044907			P-UB-10	95 mm	160 mm	CTC-2521191	267.88
2044907			Bushing	95 mm		CTC-6C6093	60.58
JLC1-UP; JLD1-UP							
1799785	Type 1		P-UB-10	105 mm	150 mm	CTC-1915619	222.49
1799785	Type 2		P-UB-10	105 mm	150 mm	CTC-2426840	240.72
1799785	Type 1 and Type 2		Bushing	105 mm		CTC-1140760	72.04
1915551			P-UB-10	115 mm	170 mm	CTC-2316844	435.81
MODEL 325C L							
BOOM							
AMH1-UP; BKW1-UP; BMM1-UP; BTD1-UP							
2096006			P-UB-10	100 mm	140 mm	CTC-2590634	207.45
2096006			Bushing	100 mm		CTC-0965625	65.58
BFE1-UP; CRB1-UP; CSJ1-UP; JLC1-UP; JLD1-UP							
1799782			P-UB-10	100 mm	140 mm	CTC-2159985	168.04
1799782			Bushing	100 mm		CTC-1140757	66.11
BKW1-UP; BMM1-UP							
1799789			P-UB-10	100 mm	140 mm	CTC-1336823	440.47
1799789			Bushing	100 mm		CTC-0965625	65.58
1915587			P-UB-10	100 mm	140 mm	CTC-2590632	207.45
1915587			Bushing	100 mm		CTC-0965625	65.58
2590724			P-UB-10	100 mm	140 mm	CTC-2590725	207.45
2590724			Bushing	100 mm		CTC-0965625	65.58
CRB1-UP; CSJ1-UP; JLC1-UP; JLD1-UP							
2113069			P-UB-10	100 mm	170 mm	CTC-2519341	362.88
2113069			Bushing	100 mm		CTC-1140757	66.11
JLC1-UP							
2033906			P-UB-10	105 mm	150 mm	CTC-1915619	222.49
2033906			Bushing	105 mm		CTC-1140760	72.04
JLC1-UP; JLD1-UP							
1915548			P-UB-10	105 mm	150 mm	CTC-1915619	222.49
1915548			Bushing	105 mm		CTC-1140760	72.04
2502419			P-UB-10	105 mm	150 mm	CTC-2426840	240.72
2502419			Bushing	105 mm		CTC-1140760	72.04
BUCKET							
AMH1-UP; BFE1-UP; BTD1-UP; CRB1-UP; CSJ1-UP; JLC1-UP; JLD1-UP							
1772465			P-UB-10	105 mm	150 mm	CTC-1915619	222.49
1772465			Bushing	105 mm		CTC-1140760	72.04
AMH1-UP; BKW1-UP; BMM1-UP; BTD1-UP							
2096011			P-UB-10	90 mm	130 mm	CTC-2590627	192.43
2096011			Bushing	90 mm		CTC-1052575	42.49

REPLACEMENT KITS FOR CATERPILLAR® EQUIPMENT

Excavators							
APPLICATION	CYL #	Misc-Parts, Instructions, etc.	CODE	ROD	BORE	KIT #	List \$
MODEL 325C L							
BUCKET							
AMH1-UP; BTD1-UP; CRB1-UP; CSJ1-UP; JLC1-UP; JLD1-UP							
2478853			P-UB-10	105 mm	150 mm	CTC-1915619	222.49
2478853			Bushing	105 mm		CTC-1140760	72.04
BFE1-UP							
1589061			P-U-10	85 mm	120 mm	CTC-2366389	150.28
1589061			Bushing	85 mm		CTC-1140756	47.03
1799764			P-UB-10	90 mm	130 mm	CTC-2159986	171.53
1799764			Bushing	90 mm		CTC-1140758	54.25
BKW1-UP; BMM1-UP							
1799793			P-UB-10	90 mm	130 mm	CTC-2590626	192.43
1799793			Bushing	90 mm		CTC-1052575	42.49
1948276			P-UB-10	105 mm	150 mm	CTC-2003315	222.49
1948276			Bushing	105 mm		CTC-1140760	72.04
2478854			P-UB-10	105 mm	150 mm	CTC-2502475	186.64
2478854			Bushing	105 mm		CTC-1140760	72.04
2590732			P-UB-10	90 mm	130 mm	CTC-2590719	194.75
2590732			Bushing	90 mm		CTC-1052575	42.49
CRB1-UP							
1709808			P-UB-10	65 mm	100 mm	CTC-1709941	177.94
1709808			Bushing	65 mm		CTC-1140754	32.58
2959396			P-UB-10	65 mm	100 mm	CTC-1709941	177.94
2959396			Bushing	65 mm		CTC-1140754	32.58
CRB1-UP; CSJ1-UP; JLC1-UP; JLD1-UP							
1799764			P-UB-10	90 mm	130 mm	CTC-2159986	171.53
1799764			Bushing	90 mm		CTC-1140758	54.25
JLC1-UP							
2201532			P-UB-10	100 mm	140 mm	CTC-2159985	168.04
2201532			Bushing	100 mm		CTC-1140757	66.11
QUICK COUPLER							
BFE1-UP; CRB1-UP							
1728403			I-U-14	50 mm	100 mm	CTC-2525507	218.41
STICK							
AMH1-UP; BKW1-UP; BMM1-UP; BTD1-UP							
1799791			P-UB-10	105 mm	150 mm	CTC-2590637	471.85
1799791			Bushing	105 mm		CTC-0995572	56.41
2096008			P-UB-10	105 mm	150 mm	CTC-2590637	471.85
2096008			Bushing	105 mm		CTC-0995572	56.41
BFE1-UP							
1799785			P-UB-10	105 mm	150 mm	CTC-1915619	222.49
1799785			Bushing	105 mm		CTC-1140760	72.04
BKW1-UP; BMM1-UP							
1915589			P-UB-10	105 mm	150 mm	CTC-2590636	471.85
1915589			Bushing	105 mm		CTC-0995572	56.41
2590728			P-UB-10	105 mm	150 mm	CTC-2590729	471.85
2590728			Bushing	105 mm		CTC-0995572	56.41
CRB1-UP; CSJ1-UP							
2188124			P-UB-10	105 mm	150 mm	CTC-1884219	222.49
2188124			Bushing	105 mm		CTC-1140760	72.04
CRB1-UP; CSJ1-UP; JLC1-UP; JLD1-UP							
1799785	Type 1		P-UB-10	105 mm	150 mm	CTC-1915619	222.49
1799785	Type 2		P-UB-10	105 mm	150 mm	CTC-2426840	240.72
1799785	Type 1 and Type 2		Bushing	105 mm		CTC-1140760	72.04
JLC1-UP							
2044907			P-UB-10	95 mm	160 mm	CTC-2521191	267.88
2044907			Bushing	95 mm		CTC-6C6093	60.58

CATERPILLAR®

REPLACEMENT KITS FOR CATERPILLAR® EQUIPMENT

Excavators							
APPLICATION	CYL #	Misc-Parts, Instructions, etc.	CODE	ROD	BORE	KIT #	List \$
MODEL 325C L							
STICK							
JLC1-UP; JLD1-UP							
	1915551		P-UB-10	115 mm	170 mm	CTC-2316844	435.81
MODEL 325C LN							
BOOM							
CRB1-UP; CSJ1-UP							
	1799782		P-UB-10	100 mm	140 mm	CTC-2159985	168.04
	1799782		Bushing	100 mm		CTC-1140757	66.11
	2113069		P-UB-10	100 mm	170 mm	CTC-2519341	362.88
	2113069		Bushing	100 mm		CTC-1140757	66.11
BUCKET							
CRB1-UP							
	1709808		P-UB-10	65 mm	100 mm	CTC-1709941	177.94
	1709808		Bushing	65 mm		CTC-1140754	32.58
	2959396		P-UB-10	65 mm	100 mm	CTC-1709941	177.94
	2959396		Bushing	65 mm		CTC-1140754	32.58
CRB1-UP; CSJ1-UP							
	1772465		P-UB-10	105 mm	150 mm	CTC-1915619	222.49
	1772465		Bushing	105 mm		CTC-1140760	72.04
	1799764		P-UB-10	90 mm	130 mm	CTC-2159986	171.53
	1799764		Bushing	90 mm		CTC-1140758	54.25
	2478853		P-UB-10	105 mm	150 mm	CTC-1915619	222.49
	2478853		Bushing	105 mm		CTC-1140760	72.04
QUICK COUPLER							
CRB1-UP							
	1728403		I-U-14	50 mm	100 mm	CTC-2525507	218.41
STICK							
CRB1-UP; CSJ1-UP							
	1799785	Type 1	P-UB-10	105 mm	150 mm	CTC-1915619	222.49
	1799785	Type 2	P-UB-10	105 mm	150 mm	CTC-2426840	240.72
	1799785	Type 1 and Type 2	Bushing	105 mm		CTC-1140760	72.04
	2188124		P-UB-10	105 mm	150 mm	CTC-1884219	222.49
	2188124		Bushing	105 mm		CTC-1140760	72.04
MODEL 325D							
BOOM							
DBH1-UP; KBE1-UP; KDG1-UP; SCR1-UP							
	2254584		P-UB-10	100 mm	140 mm	CTC-2344566	200.54
	2254584		Bushing	100 mm		CTC-0965625	65.58
KDG1-UP; SCR1-UP							
	2254595		P-UB-10	100 mm	140 mm	CTC-2590648	200.54
	2254595		Bushing	100 mm		CTC-0965625	65.58
	2667988		P-UB-10	100 mm	140 mm	CTC-2668015	191.59
	2667988		Bushing	100 mm		CTC-0965625	65.58
BUCKET							
AZP1-UP; DBH1-UP; KBE1-UP; KDG1-UP; SCR1-UP							
	2254581		P-UB-10	105 mm	150 mm	CTC-1915619	222.49
	2254581		Bushing	105 mm		CTC-1140760	72.04
DBH1-UP; KBE1-UP; KDG1-UP; SCR1-UP							
	2254591		P-UB-10	95 mm	135 mm	CTC-2344587	184.02
	2254591		Bushing	95 mm		CTC-0964430	47.85

REPLACEMENT KITS FOR CATERPILLAR® EQUIPMENT

Excavators							
APPLICATION	CYL #	Misc-Parts, Instructions, etc.	CODE	ROD	BORE	KIT #	List \$
MODEL 325D							
BUCKET							
KDG1-UP; SCR1-UP							
2254599			P-UB-10	95 mm	135 mm	CTC-2590656	182.21
2254599			Bushing	95 mm		CTC-0964430	47.85
2254602			P-UB-10	105 mm	150 mm	CTC-2502475	186.64
2254602			Bushing	105 mm		CTC-1140760	72.04
2667992			P-UB-10	95 mm	135 mm	CTC-2668045	184.02
2667992			Bushing	95 mm		CTC-0964430	47.85
2668080			P-UB-10	105 mm	150 mm	CTC-2590743	171.76
2668080			Bushing	105 mm		CTC-1140760	72.04
STICK							
DBH1-UP; KBE1-UP; KDG1-UP; SCR1-UP							
2254588			P-UB-10	105 mm	150 mm	CTC-2344576	460.60
2254588			Bushing	105 mm		CTC-0995572	56.41
2590778			P-UB-10	105 mm	150 mm	CTC-2590779	439.88
2590778			Bushing	105 mm		CTC-0995572	56.41
KDG1-UP; SCR1-UP							
2254597			P-UB-10	105 mm	150 mm	CTC-2590650	460.60
2254597			Bushing	105 mm		CTC-0995572	56.41
2667990			P-UB-10	105 mm	150 mm	CTC-2668016	460.60
2667990			Bushing	105 mm		CTC-0995572	56.41
MODEL 325D L							
BOOM							
A3R1-UP; GBR1-UP; GPB1-UP; JCL1-UP; MCL1-UP; PAL1-UP; PKE1-UP; T2S1-UP							
2254572			P-UB-10	100 mm	140 mm	CTC-2159985	168.04
2254572			Bushing	100 mm		CTC-1140757	66.11
A3R1-UP; GBR1-UP; GPB1-UP; PKE1-UP							
2959400			P-UB-10	100 mm	140 mm	CTC-2478792	254.17
2959400			Bushing	100 mm		CTC-1140757	66.11
DBH1-UP; KBE1-UP; KDG1-UP; SCR1-UP							
2254584			P-UB-10	100 mm	140 mm	CTC-2344566	200.54
2254584			Bushing	100 mm		CTC-0965625	65.58
GBR1-UP							
2033906			P-UB-10	105 mm	150 mm	CTC-1915619	222.49
2033906			Bushing	105 mm		CTC-1140760	72.04
2795614			P-UB-10	95 mm	160 mm	CTC-2521191	267.88
2795614			Bushing	95 mm		CTC-6C6093	60.58
GBR1-UP; GPB1-UP; LAL1-UP; MCL1-UP; NAC1-UP; PAL1-UP; PKE1-UP; T2S1-UP							
2959398			P-UB-10	100 mm	140 mm	CTC-2478792	254.17
2959398			Bushing	100 mm		CTC-1140757	66.11
GBR1-UP; GPB1-UP; LAL1-UP; MCL1-UP; PKE1-UP; T2S1-UP							
2798111			P-UB-10	100 mm	170 mm	CTC-2519341	362.88
2798111			Bushing	100 mm		CTC-1140757	66.11
KDG1-UP; SCR1-UP							
2254595			P-UB-10	100 mm	140 mm	CTC-2590648	200.54
2254595			Bushing	100 mm		CTC-0965625	65.58
2667988			P-UB-10	100 mm	140 mm	CTC-2668015	191.59
2667988			Bushing	100 mm		CTC-0965625	65.58
BUCKET							
A3R1-UP							
2487855			P-UB-10	65 mm	100 mm	CTC-1709941	177.94
2487855			Bushing	65 mm		CTC-1140754	32.58
2836118			P-UB-10	65 mm	100 mm	CTC-1709941	177.94
2836118			Bushing	65 mm		CTC-1140754	32.58

CATERPILLAR®

REPLACEMENT KITS FOR CATERPILLAR® EQUIPMENT

Excavators							
APPLICATION	CYL #	Misc-Parts, Instructions, etc.	CODE	ROD	BORE	KIT #	List \$
MODEL 325D L							
BUCKET							
A3R1-UP; AZP1-UP; DBH1-UP; GBR1-UP; GPB1-UP; KBE1-UP; KDG1-UP; MCL1-UP; PKE1-UP; SCR1-UP; T2S1-UP							
2254581			P-UB-10	105 mm	150 mm	CTC-1915619	222.49
2254581			Bushing	105 mm		CTC-1140760	72.04
A3R1-UP; GBR1-UP; GPB1-UP; JCL1-UP; MCL1-UP; PAL1-UP; PKE1-UP; T2S1-UP							
2254578			P-UB-10	95 mm	135 mm	CTC-2344488	196.26
2254578			Bushing	95 mm		CTC-1289260	56.30
A3R1-UP; GBR1-UP; GPB1-UP; LAL1-UP; MCL1-UP; NAC1-UP; PAL1-UP; PKE1-UP							
2898004			P-UB-10	95 mm	135 mm	CTC-2344488	196.26
2898004			Bushing	95 mm		CTC-1289260	56.30
A3R1-UP; GBR1-UP; GPB1-UP; LAL1-UP; MCL1-UP; NAC1-UP; PAL1-UP; PKE1-UP; T2S1-UP							
2898012			P-UB-10	105 mm	150 mm	CTC-1915619	222.49
2898012			Bushing	105 mm		CTC-1140760	72.04
DBH1-UP; KBE1-UP; KDG1-UP; SCR1-UP							
2254591			P-UB-10	95 mm	135 mm	CTC-2344587	184.02
2254591			Bushing	95 mm		CTC-0964430	47.85
GBR1-UP							
2201532			P-UB-10	100 mm	140 mm	CTC-2159985	168.04
2201532			Bushing	100 mm		CTC-1140757	66.11
2897948			P-UB-10	85 mm	120 mm	CTC-2478790	150.28
2897948			Bushing	85 mm		CTC-1140756	47.03
GBR1-UP; GPB1-UP; MCL1-UP; PKE1-UP							
2426767			P-UB-10	85 mm	120 mm	CTC-2478790	150.28
2426767			Bushing	85 mm		CTC-1140756	47.03
GPB1-UP							
2959396			P-UB-10	65 mm	100 mm	CTC-1709941	177.94
2959396			Bushing	65 mm		CTC-1140754	32.58
3095975			P-UB-10	65 mm	100 mm	CTC-1709941	177.94
3095975			Bushing	65 mm		CTC-1140754	32.58
KDG1-UP; SCR1-UP							
2254599			P-UB-10	95 mm	135 mm	CTC-2590656	182.21
2254599			Bushing	95 mm		CTC-0964430	47.85
2254602			P-UB-10	105 mm	150 mm	CTC-2502475	186.64
2254602			Bushing	105 mm		CTC-1140760	72.04
2667992			P-UB-10	95 mm	135 mm	CTC-2668045	184.02
2667992			Bushing	95 mm		CTC-0964430	47.85
2668080			P-UB-10	105 mm	150 mm	CTC-2590743	171.76
2668080			Bushing	105 mm		CTC-1140760	72.04
STICK							
A3R1-UP							
2166607			P-UB-10	105 mm	150 mm	CTC-1915619	222.49
2166607			Bushing	105 mm		CTC-1140760	72.04
A3R1-UP; GBR1-UP; GPB1-UP; JCL1-UP; MCL1-UP; PAL1-UP; PKE1-UP; T2S1-UP							
2254575			P-UB-10	105 mm	150 mm	CTC-2426840	240.72
2254575			Bushing	105 mm		CTC-1140760	72.04
A3R1-UP; GBR1-UP; GPB1-UP; LAL1-UP; MCL1-UP; NAC1-UP; PAL1-UP; PKE1-UP; T2S1-UP							
2897994			P-UB-10	105 mm	150 mm	CTC-2426840	240.72
2897994			Bushing	105 mm		CTC-1140760	72.04
DBH1-UP; KBE1-UP; KDG1-UP; SCR1-UP							
2254588			P-UB-10	105 mm	150 mm	CTC-2344576	460.60
2254588			Bushing	105 mm		CTC-0995572	56.41
2590778			P-UB-10	105 mm	150 mm	CTC-2590779	439.88
2590778			Bushing	105 mm		CTC-0995572	56.41

REPLACEMENT KITS FOR CATERPILLAR® EQUIPMENT

Excavators							
APPLICATION	CYL #	Misc-Parts, Instructions, etc.	CODE	ROD	BORE	KIT #	List \$
MODEL 325D L							
STICK							
GBR1-UP							
2344601			P-UB-10	115 mm	170 mm	CTC-2316844	435.81
2836188			P-UB-10	115 mm	170 mm	CTC-2316844	435.81
2898031			P-UB-10	115 mm	170 mm	CTC-2316844	435.81
KDG1-UP; SCR1-UP							
2254597			P-UB-10	105 mm	150 mm	CTC-2590650	460.60
2254597			Bushing	105 mm		CTC-0995572	56.41
2667990			P-UB-10	105 mm	150 mm	CTC-2668016	460.60
2667990			Bushing	105 mm		CTC-0995572	56.41
MODEL 325D LN							
BOOM							
GPB1-UP; PKE1-UP							
2254572			P-UB-10	100 mm	140 mm	CTC-2159985	168.04
2254572			Bushing	100 mm		CTC-1140757	66.11
2798111			P-UB-10	100 mm	170 mm	CTC-2519341	362.88
2798111			Bushing	100 mm		CTC-1140757	66.11
2959398			P-UB-10	100 mm	140 mm	CTC-2478792	254.17
2959398			Bushing	100 mm		CTC-1140757	66.11
2959400			P-UB-10	100 mm	140 mm	CTC-2478792	254.17
2959400			Bushing	100 mm		CTC-1140757	66.11
BUCKET							
GPB1-UP							
2959396			P-UB-10	65 mm	100 mm	CTC-1709941	177.94
2959396			Bushing	65 mm		CTC-1140754	32.58
3095975			P-UB-10	65 mm	100 mm	CTC-1709941	177.94
3095975			Bushing	65 mm		CTC-1140754	32.58
GPB1-UP; PKE1-UP							
2254578			P-UB-10	95 mm	135 mm	CTC-2344488	196.26
2254578			Bushing	95 mm		CTC-1289260	56.30
2254581			P-UB-10	105 mm	150 mm	CTC-1915619	222.49
2254581			Bushing	105 mm		CTC-1140760	72.04
2426767			P-UB-10	85 mm	120 mm	CTC-2478790	150.28
2426767			Bushing	85 mm		CTC-1140756	47.03
2898004			P-UB-10	95 mm	135 mm	CTC-2344488	196.26
2898004			Bushing	95 mm		CTC-1289260	56.30
2898012			P-UB-10	105 mm	150 mm	CTC-1915619	222.49
2898012			Bushing	105 mm		CTC-1140760	72.04
STICK							
GPB1-UP; PKE1-UP							
2254575			P-UB-10	105 mm	150 mm	CTC-2426840	240.72
2254575			Bushing	105 mm		CTC-1140760	72.04
2897994			P-UB-10	105 mm	150 mm	CTC-2426840	240.72
2897994			Bushing	105 mm		CTC-1140760	72.04
MODEL 325F L							
BOOM							
RBW1-UP; YCA1-UP							
3412790			P-UB-10	85 mm	120 mm	CTC-4560197	185.55
3412790			Bushing	85 mm		CTC-0964402	44.04
5433884			P-UB-14	95 mm	160 mm	CTC-5542902	390.21
5433884			Bushing	95 mm		CTC-3852931	46.81
BOOM LH							
NDJ1-UP; RBW1-UP; XAA1-UP; YCA1-UP							
4185506			P-UB-10	90 mm	125 mm	CTC-4560198	199.17
4185506			Bushing	90 mm		CTC-1052575	42.49

CATERPILLAR®

REPLACEMENT KITS FOR CATERPILLAR® EQUIPMENT

Excavators							
APPLICATION	CYL #	Misc-Parts, Instructions, etc.	CODE	ROD	BORE	KIT #	List \$
MODEL 325F L							
BOOM RH							
NDJ1-UP; RBW1-UP; XAA1-UP; YCA1-UP							
4185507			P-UB-10	90 mm	125 mm	CTC-4560198	199.17
4185507			Bushing	90 mm		CTC-1052575	42.49
BOOM VAR ADJ							
RBW1-UP; YCA1-UP							
3605447			P-UB-10	95 mm	160 mm	CTC-3979296	303.59
3605447			Bushing	95 mm		CTC-6C6093	60.58
BUCKET							
NDJ1-UP; RBW1-UP; XAA1-UP; YCA1-UP							
3412814			P-UB-10	85 mm	120 mm	CTC-4560207	180.45
3412814			Bushing	85 mm		CTC-0964402	44.04
5751074			P-UB-10	85 mm	120 mm	CTC-5456415	248.97
5751074			Bushing	85 mm		CTC-1140756	47.03
RBW1-UP; YCA1-UP							
3412182			P-UB-10	95 mm	135 mm	CTC-4560209	214.30
3412182			Bushing	95 mm		CTC-0964430	47.85
3412818			P-UB-10	90 mm	130 mm	CTC-4560210	215.30
3412818			Bushing	90 mm		CTC-1052575	42.49
COUPLER							
NDJ1-UP; RBW1-UP; XAA1-UP; YCA1-UP							
3909505			I-U-10	1-1/2	2-1/2	CTC-4536523	21.00
3909505			Chk Vlv Kit			CTC-2138433	17.12
STICK							
NDJ1-UP; RBW1-UP; XAA1-UP; YCA1-UP							
3412802			P-UB-10	100 mm	140 mm	CTC-4560202	257.32
3412802			Bushing	100 mm		CTC-0965625	65.58
TRACK ADJUSTER							
NDJ1-UP; RBW1-UP; XAA1-UP; YCA1-UP							
2394390			TRK ADJ			CTC-SK100110	61.23
MODEL 325L							
BOOM							
7Y4601			P-UB-10	95 mm	130 mm	CTC-7Y5147	409.95
BUCKET							
1251547			P-UB-10	65 mm	100 mm	CTC-4I8914	280.34
4I7652			P-UB-10	65 mm	100 mm	CTC-4I7664	280.46
4I8840			P-UB-10	65 mm	100 mm	CTC-4I8914	280.34
7I7291			P-UB-10	85 mm	130 mm	CTC-7Y5145	366.57
7Y5100			P-UB-10	85 mm	130 mm	CTC-7Y5145	366.57
7Y5150			P-UB-10	105 mm	150 mm	CTC-1I63612	413.90
875633			P-UB-10	85 mm	120 mm	CTC-0875394	354.94
STICK							
1169123			P-UB-10	105 mm	150 mm	CTC-1I63612	413.90
7Y4650			P-UB-10	105 mm	150 mm	CTC-1I63612	413.90
MODEL 326F L							
BOOM							
EBK1-UP; FBR1-UP; WGL1-UP; XFK1-UP							
3408939			P-UB-10	95 mm	135 mm	CTC-4560199	233.83
3408939			Bushing	95 mm		CTC-0964430	47.85
BUCKET							
EBK1-UP; FBR1-UP; WGL1-UP; XFK1-UP							
3408949			P-UB-10	90 mm	130 mm	CTC-4560208	301.65
3408949			Bushing	90 mm		CTC-1052575	42.49
3852834			P-UB-14	70 mm	100 mm	CTC-3904227	306.68
3852834			Bushing	70 mm		CTC-3904158	31.10

REPLACEMENT KITS FOR CATERPILLAR® EQUIPMENT

Excavators							
APPLICATION	CYL #	Misc-Parts, Instructions, etc.	CODE	ROD	BORE	KIT #	List \$
MODEL 326F L							
BUCKET							
FBR1-UP; WGL1-UP; XFK1-UP							
3566515			P-UB-10	95 mm	135 mm	CTC-3979295	336.69
3566515			Bushing	95 mm		CTC-1289260	56.30
WGL1-UP; XFK1-UP							
3579766			P-UB-10	105 mm	150 mm	CTC-5185138	223.63
3579766			Bushing	105 mm		CTC-1140760	72.04
COUPLER							
FBR1-UP; WGL1-UP							
2948011			P-U-10,12	2	3-1/2	CTC-3460643	60.25
3897213			I-U-10	1-1/2	2-1/2	CTC-4536523	21.00
FORE BOOM							
XFK1-UP							
2798111			P-UB-10	100 mm	170 mm	CTC-2519341	362.88
2798111			Bushing	100 mm		CTC-1140757	66.11
STICK							
EBK1-UP; FBR1-UP; WGL1-UP; XFK1-UP							
2166607			P-UB-10	105 mm	150 mm	CTC-3249485	257.86
2166607			Bushing	105 mm		CTC-1140760	72.04
3408944			P-UB-10	100 mm	140 mm	CTC-4560204	247.00
3408944			Bushing	100 mm		CTC-0965625	65.58
TRACK ADJUSTER							
EBK1-UP; FBR1-UP; WGL1-UP; XFK1-UP							
2394373			TRK ADJ			CTC-SK100161	100.73
MODEL 326F LN							
BOOM							
HCJ1-UP							
3408939			P-UB-10	95 mm	135 mm	CTC-4560199	233.83
3408939			Bushing	95 mm		CTC-0964430	47.85
BUCKET							
HCJ1-UP							
3408949			P-UB-10	90 mm	130 mm	CTC-4560208	301.65
3408949			Bushing	90 mm		CTC-1052575	42.49
3566515			P-UB-10	95 mm	135 mm	CTC-3979295	336.69
3566515			Bushing	95 mm		CTC-1289260	56.30
3579766			P-UB-10	105 mm	150 mm	CTC-5185138	223.63
3579766			Bushing	105 mm		CTC-1140760	72.04
3852834			P-UB-14	70 mm	100 mm	CTC-3904227	306.68
3852834			Bushing	70 mm		CTC-3904158	31.10
FORE BOOM							
HCJ1-UP							
2798111			P-UB-10	100 mm	170 mm	CTC-2519341	362.88
2798111			Bushing	100 mm		CTC-1140757	66.11
STICK							
HCJ1-UP							
3408944			P-UB-10	100 mm	140 mm	CTC-4560204	247.00
3408944			Bushing	100 mm		CTC-0965625	65.58
TRACK ADJUSTER							
HCJ1-UP							
2394373			TRK ADJ			CTC-SK100161	100.73

CATERPILLAR®

REPLACEMENT KITS FOR CATERPILLAR® EQUIPMENT

Excavators							
APPLICATION	CYL #	Misc-Parts, Instructions, etc.	CODE	ROD	BORE	KIT #	List \$
MODEL 328D LCR							
BLADE							
MKR1-UP; SWF1-UP							
1913286			P-UB-10	100 mm	140 mm	CTC-1645174	300.06
1913286			Bushing	100 mm		CTC-0965625	65.58
1913288			P-UB-10	100 mm	140 mm	CTC-1645174	300.06
1913288			Bushing	100 mm		CTC-0965625	65.58
BLADE LH							
MKR1-UP; SWF1-UP							
1913288			P-UB-10	100 mm	140 mm	CTC-1645174	300.06
1913288			Bushing	100 mm		CTC-0965625	65.58
BLADE RH							
MKR1-UP; SWF1-UP							
1913286			P-UB-10	100 mm	140 mm	CTC-1645174	300.06
1913286			Bushing	100 mm		CTC-0965625	65.58
BOOM							
GTN1-UP; MKR1-UP; RMX1-UP; SWF1-UP							
2667935			P-UB-10	100 mm	140 mm	CTC-2344566	200.54
2667935			Bushing	100 mm		CTC-0965625	65.58
3494153			P-UB-10	100 mm	140 mm	CTC-4560200	264.52
3494153			Bushing	100 mm		CTC-0965625	65.58
MKR1-UP; RMX1-UP							
2959673			P-UB-10	100 mm	140 mm	CTC-2590648	200.54
2959673			Bushing	100 mm		CTC-0965625	65.58
BUCKET							
GTN1-UP; MKR1-UP; RMX1-UP; SWF1-UP							
2254591			P-UB-10	95 mm	135 mm	CTC-2344587	184.02
2254591			Bushing	95 mm		CTC-0964430	47.85
3412182			P-UB-10	95 mm	135 mm	CTC-3500976	209.04
3412182			Bushing	95 mm		CTC-0964430	47.85
3494152			P-UB-10	95 mm	135 mm	CTC-3500976	209.04
3494152			Bushing	95 mm		CTC-0964430	47.85
MKR1-UP; RMX1-UP							
2254599			P-UB-10	95 mm	135 mm	CTC-2590656	182.21
2254599			Bushing	95 mm		CTC-0964430	47.85
COUPLER							
GTN1-UP; MKR1-UP; RMX1-UP; SWF1-UP							
2745997			I-U-14	50 mm	100 mm	CTC-2525507	218.41
STICK							
GTN1-UP; MKR1-UP; RMX1-UP; SWF1-UP							
2254588			P-UB-10	105 mm	150 mm	CTC-2344576	460.60
2254588			Bushing	105 mm		CTC-0995572	56.41
3494148			P-UB-10	105 mm	150 mm	CTC-3500974	258.28
3494148			Bushing	105 mm		CTC-0995572	56.41
3494150			P-UB-10	105 mm	150 mm	CTC-3500975	258.28
3494150			Bushing	105 mm		CTC-0995572	56.41
GTN1-UP; RMX1-UP							
3000199			P-UB-10	105 mm	150 mm	CTC-2344576	460.60
3000199			Bushing	105 mm		CTC-0995572	56.41
3640930			P-UB-10	105 mm	150 mm	CTC-3500974	258.28
3640930			Bushing	105 mm		CTC-0995572	56.41
GTN1-UP; RMX1-UP; SWF1-UP							
3412177			P-UB-10	105 mm	150 mm	CTC-3500975	258.28
3412177			Bushing	105 mm		CTC-0995572	56.41
MKR1-UP; RMX1-UP							
2254597			P-UB-10	105 mm	150 mm	CTC-2590650	460.60
2254597			Bushing	105 mm		CTC-0995572	56.41

REPLACEMENT KITS FOR CATERPILLAR® EQUIPMENT

Excavators							
APPLICATION	CYL #	Misc-Parts, Instructions, etc.	CODE	ROD	BORE	KIT #	List \$
MODEL 328D LCR							
TRACK ADJUSTER							
GTN1-315; MKR1-212							
1793043			TRK ADJ			CTC-SK100116	186.38
GTN316-UP; MKR213-UP; RMX1-UP; SWF1-UP							
2979151			TRK ADJ			CTC-SK100116	186.38
MODEL 329D L							
BOOM							
BFC1-UP; CZF1-UP; JHJ1-UP; LGN1-UP; RSK1-UP; TPM1-UP; WLT1-UP; XDB1-UP							
2959398			P-UB-10	100 mm	140 mm	CTC-3981893	262.81
2959398			Bushing	100 mm		CTC-1140757	66.11
DJF1-UP; TZL1-UP							
4185481			P-UB-10	100 mm	140 mm	CTC-3500973	264.52
4185481			Bushing	100 mm		CTC-0965625	65.58
DJF1-UP; TZL1-UP; YFW1-UP							
2254584			P-UB-10	100 mm	140 mm	CTC-2344566	200.54
2254584			Bushing	100 mm		CTC-0965625	65.58
2667988			P-UB-10	100 mm	140 mm	CTC-2668015	191.59
2667988			Bushing	100 mm		CTC-0965625	65.58
3494146			P-UB-10	100 mm	140 mm	CTC-3500973	264.52
3494146			Bushing	100 mm		CTC-0965625	65.58
DJF1-UP; YFW1-UP							
2254595			P-UB-10	100 mm	140 mm	CTC-2590648	200.54
2254595			Bushing	100 mm		CTC-0965625	65.58
TZL1-UP; YFW1-UP							
4188812			P-UB-10	100 mm	140 mm	CTC-2668015	191.59
4188812			Bushing	100 mm		CTC-0965625	65.58
BUCKET							
BFC1-UP; CZF1-UP; JHJ1-UP; LGN1-UP; RSK1-UP; TPM1-UP; WLT1-UP; XDB1-UP							
2898004			P-UB-10	95 mm	135 mm	CTC-2344488	196.26
2898004			Bushing	95 mm		CTC-1289260	56.30
3154451			P-UB-10	105 mm	150 mm	CTC-3764331	215.87
3154451			Bushing	105 mm		CTC-1140760	72.04
DJF1-UP; TZL1-UP							
3412182			P-UB-10	95 mm	135 mm	CTC-3500976	209.04
3412182			Bushing	95 mm		CTC-0964430	47.85
DJF1-UP; TZL1-UP; YFW1-UP							
3154442			P-UB-10	105 mm	150 mm	CTC-3764331	215.87
3154442			Bushing	105 mm		CTC-1140760	72.04
3154449			P-UB-10	105 mm	150 mm	CTC-3764332	215.87
3154449			Bushing	105 mm		CTC-1140760	72.04
3494152			P-UB-10	95 mm	135 mm	CTC-3500976	209.04
3494152			Bushing	95 mm		CTC-0964430	47.85
3579766			P-UB-10	105 mm	150 mm	CTC-3764331	215.87
3579766			Bushing	105 mm		CTC-1140760	72.04
DJF1-UP; YFW1-UP							
2254591			P-UB-10	95 mm	135 mm	CTC-2344587	184.02
2254591			Bushing	95 mm		CTC-0964430	47.85
2254599			P-UB-10	95 mm	135 mm	CTC-2590656	182.21
2254599			Bushing	95 mm		CTC-0964430	47.85
2667992			P-UB-10	95 mm	135 mm	CTC-2668045	184.02
2667992			Bushing	95 mm		CTC-0964430	47.85
JHJ1-UP							
2836118			P-UB-10	65 mm	100 mm	CTC-1709941	177.94
2836118			Bushing	65 mm		CTC-1140754	32.58

CATERPILLAR®

REPLACEMENT KITS FOR CATERPILLAR® EQUIPMENT

Excavators							
APPLICATION	CYL #	Misc-Parts, Instructions, etc.	CODE	ROD	BORE	KIT #	List \$
MODEL 329D L							
BUCKET							
TZL1-UP							
3852834			P-UB-14	70 mm	100 mm	CTC-3904227	306.68
3852834			Bushing	70 mm		CTC-3904158	31.10
TZL1-UP; YFW1-UP							
3154450			P-UB-10	105 mm	150 mm	CTC-2590743	171.76
3154450			Bushing	105 mm		CTC-1140760	72.04
3582108			P-UB-10	70 mm	100 mm	CTC-3494121	255.14
3582108			Bushing	70 mm		CTC-1140753	37.46
4188818			P-UB-10	95 mm	135 mm	CTC-2668045	184.02
4188818			Bushing	95 mm		CTC-0964430	47.85
WLT1-UP; XDB1-UP							
2898086			P-UB-10	70 mm	100 mm	CTC-2836179	266.41
2898086			Bushing	70 mm		CTC-1140753	37.46
XDB1-UP							
3154473			P-UB-10	110 mm	160 mm	CTC-3338750	236.68
3154473			Bushing	110 mm		CTC-1140762	107.24
YFW1-UP							
2897699			P-UB-10	70 mm	100 mm	CTC-2836179	266.41
2897699			Bushing	70 mm		CTC-1140753	37.46
COUPLER							
BFC1-UP; CZF1-UP; TPM1-UP; WLT1-UP; XDB1-UP							
1690753			P-U-5	40 mm	70 mm	CTC-2191322	47.37
TZL1-UP; WLT1-UP; YFW1-UP							
2948011			P-U-10,12	2	3-1/2	CTC-3460643	60.25
FORE BOOM							
XDB1-UP							
2798111			P-UB-10	100 mm	170 mm	CTC-2519341	362.88
2798111			Bushing	100 mm		CTC-1140757	66.11
STICK							
BFC1-UP; CZF1-UP; TPM1-UP; WLT1-UP; XDB1-UP							
2897994			P-UB-10	105 mm	150 mm	CTC-3249485	257.86
2897994			Bushing	105 mm		CTC-1140760	72.04
DJF1-UP							
2590779			P-UB-10	105 mm	150 mm	CTC-2590779	439.88
2590779			Bushing	105 mm		CTC-0995572	56.41
DJF1-UP; TZL1-UP; YFW1-UP							
2667990			P-UB-10	105 mm	150 mm	CTC-2668016	460.60
2667990			Bushing	105 mm		CTC-0995572	56.41
3494148			P-UB-10	105 mm	150 mm	CTC-3500974	258.28
3494148			Bushing	105 mm		CTC-0995572	56.41
3494150			P-UB-10	105 mm	150 mm	CTC-3500975	258.28
3494150			Bushing	105 mm		CTC-0995572	56.41
DJF1-UP; YFW1-UP							
2254597			P-UB-10	105 mm	150 mm	CTC-2590650	460.60
2254597			Bushing	105 mm		CTC-0995572	56.41
JHJ1-UP; LGN1-UP; RSK1-UP							
2897994			P-UB-10	105 mm	150 mm	CTC-2426840	240.72
2897994			Bushing	105 mm		CTC-1140760	72.04
JHJ1-UP; TZL1-UP; WLT1-UP; XDB1-UP; YFW1-UP							
2166607			P-UB-10	105 mm	150 mm	CTC-3764331	215.87
2166607			Bushing	105 mm		CTC-1140760	72.04
TZL1-UP							
4185483			P-UB-10	105 mm	150 mm	CTC-3500974	258.28
4185483			Bushing	105 mm		CTC-0995572	56.41

REPLACEMENT KITS FOR CATERPILLAR® EQUIPMENT

Excavators							
APPLICATION	CYL #	Misc-Parts, Instructions, etc.	CODE	ROD	BORE	KIT #	List \$
MODEL 329D L							
STICK							
TZL1-UP; YFW1-UP							
	4188814		P-UB-10	105 mm	150 mm	CTC-2668016	460.60
	4188814		Bushing	105 mm		CTC-0995572	56.41
YFW1-UP							
	2254588		P-UB-10	105 mm	150 mm	CTC-2344576	460.60
	2254588		Bushing	105 mm		CTC-0995572	56.41
	2590778		P-UB-10	105 mm	150 mm	CTC-2590779	439.88
	2590778		Bushing	105 mm		CTC-0995572	56.41
TRACK ADJUSTER							
BFC1-UP; CZF1-UP; DJF1-UP; JHJ1-UP; LGN1-UP; RSK1-UP; TPM1-UP; TZL1-UP; WLT1-UP; XDB1-UP; YFW1-UP							
	2979150		TRK ADJ			CTC-SK100115	76.66
MODEL 329D LN							
BOOM							
EBM1-UP; SCY1-UP							
	2959398		P-UB-10	100 mm	140 mm	CTC-3981893	262.81
	2959398		Bushing	100 mm		CTC-1140757	66.11
BUCKET							
EBM1-UP; SCY1-UP							
	2898004		P-UB-10	95 mm	135 mm	CTC-2344488	196.26
	2898004		Bushing	95 mm		CTC-1289260	56.30
	3154451		P-UB-10	105 mm	150 mm	CTC-3764331	215.87
	3154451		Bushing	105 mm		CTC-1140760	72.04
COUPLER							
EBM1-UP; SCY1-UP							
	1690753		P-U-5	40 mm	70 mm	CTC-2191322	47.37
FORE BOOM							
EBM1-UP							
	2798111		P-UB-10	100 mm	170 mm	CTC-2519341	362.88
	2798111		Bushing	100 mm		CTC-1140757	66.11
STICK							
EBM1-UP; SCY1-UP							
	2897994		P-UB-10	105 mm	150 mm	CTC-3249485	257.86
	2897994		Bushing	105 mm		CTC-1140760	72.04
TRACK ADJUSTER							
EBM1-UP; SCY1-UP							
	2979150		TRK ADJ			CTC-SK100115	76.66
MODEL 329E							
BOOM							
PTY1-UP							
	3412172		P-UB-10	100 mm	140 mm	CTC-4560200	264.52
	3412172		Bushing	100 mm		CTC-0965625	65.58
BUCKET							
PTY1-UP							
	3412182		P-UB-10	95 mm	135 mm	CTC-3500976	209.04
	3412182		Bushing	95 mm		CTC-0964430	47.85
	3579766		P-UB-10	105 mm	150 mm	CTC-3249485	257.86
	3579766		Bushing	105 mm		CTC-1140760	72.04
	3582108		P-UB-10	70 mm	100 mm	CTC-3494121	255.14
	3582108		Bushing	70 mm		CTC-1140753	37.46
	3852834		P-UB-14	70 mm	100 mm	CTC-3904227	306.68
	3852834		Bushing	70 mm		CTC-3904158	31.10
COUPLER							
PTY1-UP							
	2948011		P-U-10,12	2	3-1/2	CTC-3460643	60.25

REPLACEMENT KITS FOR CATERPILLAR® EQUIPMENT

Excavators							
APPLICATION	CYL #	Misc-Parts, Instructions, etc.	CODE	ROD	BORE	KIT #	List \$
MODEL 329E							
STICK							
PTY1-UP							
2166607	Type 1		P-UB-10	105 mm	150 mm	CTC-1915619	222.49
2166607	Type 2		P-UB-10	105 mm	150 mm	CTC-3249485	257.86
2166607	Type 1 & 2		Bushing	105 mm		CTC-1140760	72.04
3412177			P-UB-10	105 mm	150 mm	CTC-3500975	258.28
3412177			Bushing	105 mm		CTC-0995572	56.41
TRACK ADJUSTER							
PTY1-UP							
2979150			TRK ADJ			CTC-SK100115	76.66
MODEL 329E L							
BOOM							
PLW1-UP; RDX1-UP; TST1-UP; WJK1-UP							
3412172			P-UB-10	100 mm	140 mm	CTC-4560200	264.52
PLW1-UP; RDX1-UP; TST1-UP; WJK1-UP; ZCD1-UP							
3412172			Bushing	100 mm		CTC-0965625	65.58
BUCKET							
PLW1-UP; RDX1-UP; TST1-UP; WJK1-UP; ZCD1-UP							
3412182			P-UB-10	95 mm	135 mm	CTC-3500976	209.04
3412182			Bushing	95 mm		CTC-0964430	47.85
3582108			P-UB-10	70 mm	100 mm	CTC-3494121	255.14
3582108			Bushing	70 mm		CTC-1140753	37.46
3852834			P-UB-14	70 mm	100 mm	CTC-3904227	306.68
3852834			Bushing	70 mm		CTC-3904158	31.10
PLW1-UP; TST1-UP							
2897699			P-UB-10	70 mm	100 mm	CTC-2836179	266.41
2897699			Bushing	70 mm		CTC-1140753	37.46
3579766			P-UB-10	105 mm	150 mm	CTC-3764331	215.87
3579766			Bushing	105 mm		CTC-1140760	72.04
PLW1-UP; TST1-UP; ZCD1-UP							
3550712			P-UB-10	95 mm	135 mm	CTC-3979295	336.69
3550712			Bushing	95 mm		CTC-1289260	56.30
RDX1-UP; WJK1-UP; ZCD1-UP							
3579766			P-UB-10	105 mm	150 mm	CTC-3249485	257.86
3579766			Bushing	105 mm		CTC-1140760	72.04
COUPLER							
PLW1-UP; RDX1-UP; WJK1-UP; ZCD1-UP							
2948011			P-U-10,12	2	3-1/2	CTC-3460643	60.25
TST1-UP							
1690753			P-U-5	40 mm	70 mm	CTC-2191322	47.37
STICK							
PLW1-UP; RDX1-UP; TST1-UP; WJK1-UP; ZCD1-UP							
3412177			P-UB-10	105 mm	150 mm	CTC-3500975	258.28
3412177			Bushing	105 mm		CTC-0995572	56.41
PLW1-UP; TST1-UP; ZCD1-UP							
2166607			P-UB-10	105 mm	150 mm	CTC-3249485	257.86
2166607			Bushing	105 mm		CTC-1140760	72.04
RDX1-UP; WJK1-UP							
2166607	Type 1		P-UB-10	105 mm	150 mm	CTC-1915619	222.49
2166607	Type 2		P-UB-10	105 mm	150 mm	CTC-3249485	257.86
2166607	Type 1 & 2		Bushing	105 mm		CTC-1140760	72.04
ZCD1-UP							
3412180			P-UB-10	105 mm	150 mm	CTC-3500975	258.28
3412180			Bushing	105 mm		CTC-0995572	56.41

REPLACEMENT KITS FOR CATERPILLAR® EQUIPMENT

Excavators							
APPLICATION	CYL #	Misc-Parts, Instructions, etc.	CODE	ROD	BORE	KIT #	List \$
MODEL 329E L							
TRACK ADJUSTER							
PLW1-UP; RDX1-UP; TST1-UP; WJK1-UP; ZCD1-UP							
2979150			TRK ADJ			CTC-SK100115	76.66
MODEL 329E LN							
BOOM							
RLD1-UP							
3412172			P-UB-10	100 mm	140 mm	CTC-4560200	264.52
3412172			Bushing	100 mm		CTC-0965625	65.58
BUCKET							
RLD1-UP							
3412182			P-UB-10	95 mm	135 mm	CTC-3500976	209.04
3412182			Bushing	95 mm		CTC-0964430	47.85
3550712			P-UB-10	95 mm	135 mm	CTC-3979295	336.69
3550712			Bushing	95 mm		CTC-1289260	56.30
3579766			P-UB-10	105 mm	150 mm	CTC-3764331	215.87
3579766			Bushing	105 mm		CTC-1140760	72.04
COUPLER							
RLD1-UP							
1690753			P-U-5	40 mm	70 mm	CTC-2191322	47.37
STICK							
RLD1-UP							
3412177			P-UB-10	105 mm	150 mm	CTC-3500975	258.28
3412177			Bushing	105 mm		CTC-0995572	56.41
TRACK ADJUSTER							
RLD1-UP							
2979150			TRK ADJ			CTC-SK100115	76.66
MODEL 329F L							
BOOM							
ERL1-UP; WBA1-UP							
3412172			P-UB-10	100 mm	140 mm	CTC-4560200	264.52
3412172			Bushing	100 mm		CTC-0965625	65.58
BUCKET							
ERL1-UP							
3852834			P-UB-14	70 mm	100 mm	CTC-3904227	306.68
3852834			Bushing	70 mm		CTC-3904158	31.10
ERL1-UP; WBA1-UP							
3412182			P-UB-10	95 mm	135 mm	CTC-4560209	214.30
3412182			Bushing	95 mm		CTC-0964430	47.85
3550712			P-UB-10	95 mm	135 mm	CTC-3979295	336.69
3550712			Bushing	95 mm		CTC-1289260	56.30
3579766			P-UB-10	105 mm	150 mm	CTC-5185138	223.63
3579766			Bushing	105 mm		CTC-1140760	72.04
COUPLER							
ERL1-UP							
2948011			P-U-10,12	2	3-1/2	CTC-3460643	60.25
3897213			I-U-10	1-1/2	2-1/2	CTC-4536523	21.00
WBA1-UP							
1690753			P-U-5	40 mm	70 mm	CTC-2191322	47.37
STICK							
ERL1-UP; WBA1-UP							
2166607			P-UB-10	105 mm	150 mm	CTC-3249485	257.86
2166607			Bushing	105 mm		CTC-1140760	72.04
3412177			P-UB-10	105 mm	150 mm	CTC-4560205	307.70
3412177			Bushing	105 mm		CTC-0995572	56.41

CATERPILLAR®

REPLACEMENT KITS FOR CATERPILLAR® EQUIPMENT

Excavators							
APPLICATION	CYL #	Misc-Parts, Instructions, etc.	CODE	ROD	BORE	KIT #	List \$
MODEL 329F L							
TRACK ADJUSTER							
ERL1-UP; WBA1-UP							
	2979150		TRK ADJ			CTC-SK100115	76.66
MODEL 329F LN							
BOOM							
LBN1-UP							
	3412172		P-UB-10	100 mm	140 mm	CTC-4560200	264.52
	3412172		Bushing	100 mm		CTC-0965625	65.58
BUCKET							
LBN1-UP							
	3412182		P-UB-10	95 mm	135 mm	CTC-4560209	214.30
	3412182		Bushing	95 mm		CTC-0964430	47.85
	3550712		P-UB-10	95 mm	135 mm	CTC-3979295	336.69
	3550712		Bushing	95 mm		CTC-1289260	56.30
	3579766		P-UB-10	105 mm	150 mm	CTC-5185138	223.63
	3579766		Bushing	105 mm		CTC-1140760	72.04
COUPLER							
LBN1-UP							
	1690753		P-U-5	40 mm	70 mm	CTC-2191322	47.37
STICK							
LBN1-UP							
	2166607		P-UB-10	105 mm	150 mm	CTC-3249485	257.86
	2166607		Bushing	105 mm		CTC-1140760	72.04
	3412177		P-UB-10	105 mm	150 mm	CTC-4560205	307.70
	3412177		Bushing	105 mm		CTC-0995572	56.41
TRACK ADJUSTER							
LBN1-UP							
	2979150		TRK ADJ			CTC-SK100115	76.66
MODEL 330B, 330BL							
BOOM							
	1163578		P-UB-10	105 mm	150 mm	CTC-1680758	465.24
	1336808		P-UB-10	105 mm	150 mm	CTC-1289277	504.68
BUCKET							
	1183921		P-UB-10	105 mm	150 mm	CTC-1680758	465.24
	1183935		P-UB-10	110 mm	160 mm	CTC-1680760	460.57
	1184134		P-UB-10	85 mm	120 mm	CTC-1184131	342.72
	1336810		P-UB-10	105 mm	150 mm	CTC-1289277	504.68
	1336811		P-UB-10	110 mm	160 mm	CTC-1289280	503.33
STICK							
	0875375		P-UB-10	130 mm	180 mm	CTC-0875407	546.07
	1163638		P-UB-10	110 mm	170 mm	CTC-1680759	549.61
	1336809		P-UB-10	110 mm	170 mm	CTC-1289278	544.90
MODEL 330C							
BOOM							
GKX1-UP; JAB1-UP; JCD1-UP; JNK1-UP; KDD1-UP; MCA1-UP							
	1915548		P-UB-10	105 mm	150 mm	CTC-1915619	222.49
	1915548		Bushing	105 mm		CTC-1140760	72.04
GKX1-UP; JAB1-UP; KDD1-UP; MCA1-UP							
	2502473		P-UB-10	105 mm	150 mm	CTC-2502475	186.64
	2502473		Bushing	105 mm		CTC-1140760	72.04
GKX1-UP; MCA1-UP							
	2502419		P-UB-10	105 mm	150 mm	CTC-2426840	240.72
	2502419		Bushing	105 mm		CTC-1140760	72.04

REPLACEMENT KITS FOR CATERPILLAR® EQUIPMENT

Excavators							
APPLICATION	CYL #	Misc-Parts, Instructions, etc.	CODE	ROD	BORE	KIT #	List \$
MODEL 330C							
BOOM							
JAB1-UP; KDD1-UP							
1948270			P-UB-10	105 mm	150 mm	CTC-2003315	222.49
1948270			Bushing	105 mm		CTC-1140760	72.04
2502419			P-UB-10	105 mm	150 mm	CTC-2426840	240.72
2502419			Bushing	105 mm		CTC-1140760	72.04
2590742			P-UB-10	105 mm	150 mm	CTC-2590743	171.76
2590742			Bushing	105 mm		CTC-1140760	72.04
JCD1-UP; JNK1-UP							
2502419			P-UB-10	105 mm	150 mm	CTC-2426840	240.72
2502419			Bushing	105 mm		CTC-1140760	72.04
BUCKET							
GKX1-UP; JAB1-UP; JCD1-UP; JNK1-UP; KDD1-UP; MCA1-UP							
1772465			P-UB-10	105 mm	150 mm	CTC-1915619	222.49
1772465			Bushing	105 mm		CTC-1140760	72.04
1915554			P-UB-10	110 mm	160 mm	CTC-2159988	274.03
1915554			Bushing	110 mm		CTC-1140762	107.24
2478853			P-UB-10	105 mm	150 mm	CTC-1915619	222.49
2478853			Bushing	105 mm		CTC-1140760	72.04
GKX1-UP; JAB1-UP; KDD1-UP; MCA1-UP							
2478854			P-UB-10	105 mm	150 mm	CTC-2502475	186.64
2478854			Bushing	105 mm		CTC-1140760	72.04
JAB1-UP; KDD1-UP							
1948276			P-UB-10	105 mm	150 mm	CTC-2003315	222.49
1948276			Bushing	105 mm		CTC-1140760	72.04
1948279			P-UB-10	110 mm	160 mm	CTC-1948235	324.60
1948279			Bushing	110 mm		CTC-1140762	107.24
2590746			P-UB-10	105 mm	150 mm	CTC-2590743	171.76
2590746			Bushing	105 mm		CTC-1140760	72.04
2590750			P-UB-10	110 mm	160 mm	CTC-2590751	315.76
2590750			Bushing	110 mm		CTC-1140762	107.24
JCD1-UP							
1709808			P-UB-10	65 mm	100 mm	CTC-1709941	177.94
1709808			Bushing	65 mm		CTC-1140754	32.58
2959396			P-UB-10	65 mm	100 mm	CTC-1709941	177.94
2959396			Bushing	65 mm		CTC-1140754	32.58
JCD1-UP; JNK1-UP							
1589061			P-U-10	85 mm	120 mm	CTC-2366389	150.28
1589061			Bushing	85 mm		CTC-1140756	47.03
2836132			P-UB-10	85 mm	120 mm	CTC-2366368	150.28
2836132			Bushing	85 mm		CTC-1140756	47.03
STICK							
GKX1-UP; JAB1-UP; KDD1-UP; MCA1-UP							
1915551			P-UB-10	115 mm	170 mm	CTC-2316844	435.81
1948273			P-UB-10	115 mm	170 mm	CTC-2316845	444.94
2897763			P-UB-10	115 mm	170 mm	CTC-2316844	435.81
2897780			P-UB-10	115 mm	170 mm	CTC-2316845	444.94
JAB1-UP; KDD1-UP							
2590767			P-UB-10	115 mm	170 mm	CTC-2590768	443.37
2897784			P-UB-10	115 mm	170 mm	CTC-2590768	443.37
JCD1-UP; JNK1-UP							
1915551			P-UB-10	115 mm	170 mm	CTC-2316844	435.81
UNSPECIFIED APPLICATION							
JCD1-UP; JNK1-UP							
1234121			P-UB-10	2	4	CTC-2409538	94.69

REPLACEMENT KITS FOR CATERPILLAR® EQUIPMENT

Excavators							
APPLICATION	CYL #	Misc-Parts, Instructions, etc.	CODE	ROD	BORE	KIT #	List \$
MODEL 330C L							
BOOM							
CAP1-UP; CGZ1-UP							
2255306		P-UB-10	110 mm	180 mm	CTC-2304001		360.32
2255306		Bushing	110 mm		CTC-1140762		107.24
CAP1-UP; CGZ1-UP; GKX1-UP; JAB1-UP; JCD1-UP; JNK1-UP; KDD1-UP; MCA1-UP; MKM1-UP							
1915548		P-UB-10	105 mm	150 mm	CTC-1915619		222.49
1915548		Bushing	105 mm		CTC-1140760		72.04
CAP1-UP; CGZ1-UP; JCD1-UP; JNK1-UP							
2502419		P-UB-10	105 mm	150 mm	CTC-2426840		240.72
2502419		Bushing	105 mm		CTC-1140760		72.04
CYA1-UP							
1915548		P-UB-10	105 mm	150 mm	CTC-1884219		222.49
1915548		Bushing	105 mm		CTC-1140760		72.04
DKY1-UP							
1915548		P-UB-10	105 mm	150 mm	CTC-1884219		222.49
1915548		Bushing	105 mm		CTC-1140760		72.04
GKX1-UP; JAB1-UP; KDD1-UP; MCA1-UP							
2502473		P-UB-10	105 mm	150 mm	CTC-2502475		186.64
2502473		Bushing	105 mm		CTC-1140760		72.04
GKX1-UP; MCA1-UP; CYA1-UP							
2502419		P-UB-10	105 mm	150 mm	CTC-2426840		240.72
2502419		Bushing	105 mm		CTC-1140760		72.04
JAB1-UP; KDD1-UP							
1948270		P-UB-10	105 mm	150 mm	CTC-2003315		222.49
1948270		Bushing	105 mm		CTC-1140760		72.04
2502419		P-UB-10	105 mm	150 mm	CTC-2426840		240.72
2502419		Bushing	105 mm		CTC-1140760		72.04
2590742		P-UB-10	105 mm	150 mm	CTC-2590743		171.76
2590742		Bushing	105 mm		CTC-1140760		72.04
MKM1-UP							
2162731		P-UB-10	110 mm	160 mm	CTC-2042721		318.52
2162731		Bushing	110 mm		CTC-1140762		107.24
BUCKET							
CAP1-UP; CGZ1-UP; DKY1-UP; GKX1-UP; JAB1-UP; JCD1-UP; JNK1-UP; KDD1-UP; MCA1-UP; MKM1-UP							
1772465		P-UB-10	105 mm	150 mm	CTC-1915619		222.49
1772465		Bushing	105 mm		CTC-1140760		72.04
1915554		P-UB-10	110 mm	160 mm	CTC-2159988		274.03
1915554		Bushing	110 mm		CTC-1140762		107.24
CAP1-UP; CGZ1-UP; GKX1-UP; JAB1-UP; JCD1-UP; JNK1-UP; KDD1-UP; MCA1-UP; MKM1-UP							
2478853		P-UB-10	105 mm	150 mm	CTC-1915619		222.49
2478853		Bushing	105 mm		CTC-1140760		72.04
CYA1-UP							
1772465		P-UB-10	105 mm	150 mm	CTC-1884219		222.49
1772465		Bushing	105 mm		CTC-1140760		72.04
1915554		P-UB-10	110 mm	160 mm	CTC-1948396		290.49
1915554		Bushing	110 mm		CTC-1140762		107.24
GKX1-UP; JAB1-UP; KDD1-UP; MCA1-UP							
2478854		P-UB-10	105 mm	150 mm	CTC-2502475		186.64
2478854		Bushing	105 mm		CTC-1140760		72.04

REPLACEMENT KITS FOR CATERPILLAR® EQUIPMENT

Excavators							
APPLICATION	CYL #	Misc-Parts, Instructions, etc.	CODE	ROD	BORE	KIT #	List \$
MODEL 330C L							
BUCKET							
JAB1-UP; KDD1-UP							
1948276			P-UB-10	105 mm	150 mm	CTC-2003315	222.49
1948276			Bushing	105 mm		CTC-1140760	72.04
1948279			P-UB-10	110 mm	160 mm	CTC-1948235	324.60
1948279			Bushing	110 mm		CTC-1140762	107.24
2590746			P-UB-10	105 mm	150 mm	CTC-2590743	171.76
2590746			Bushing	105 mm		CTC-1140760	72.04
2590750			P-UB-10	110 mm	160 mm	CTC-2590751	315.76
2590750			Bushing	110 mm		CTC-1140762	107.24
JCD1-UP							
1709808			P-UB-10	65 mm	100 mm	CTC-1709941	177.94
1709808			Bushing	65 mm		CTC-1140754	32.58
2959396			P-UB-10	65 mm	100 mm	CTC-1709941	177.94
2959396			Bushing	65 mm		CTC-1140754	32.58
JCD1-UP; JNK1-UP							
1589061			P-U-10	85 mm	120 mm	CTC-2366389	150.28
1589061			Bushing	85 mm		CTC-1140756	47.03
2836132			P-UB-10	85 mm	120 mm	CTC-2366368	150.28
2836132			Bushing	85 mm		CTC-1140756	47.03
QUICK COUPLER							
DKY1-UP							
1728403			I-U-14	50 mm	100 mm	CTC-2525507	218.41
STICK							
CAP1-UP; CGZ1-UP; JCD1-UP; JNK1-UP; MKM1-UP							
1915551			P-UB-10	115 mm	170 mm	CTC-2316844	435.81
1915551			Bushing	115 mm		CTC-1915644	102.23
CYA1-UP							
1915551			P-UB-10	115 mm	170 mm	CTC-1915649	435.81
1915551			Bushing	115 mm		CTC-1915644	102.23
CYA1-UP; GKX1-UP; JAB1-UP; KDD1-UP; MCA1-UP							
2897763			P-UB-10	115 mm	170 mm	CTC-2316844	435.81
DKY1-UP							
1915551			P-UB-10	115 mm	170 mm	CTC-2316844	435.81
1915551			Bushing	115 mm		CTC-1915644	102.23
GKX1-UP; JAB1-UP; KDD1-UP; MCA1-UP							
1915551			P-UB-10	115 mm	170 mm	CTC-2316844	435.81
1915551			Bushing	115 mm		CTC-1915644	102.23
1948273			P-UB-10	115 mm	170 mm	CTC-2316845	444.94
2897780			P-UB-10	115 mm	170 mm	CTC-2316845	444.94
JAB1-UP; KDD1-UP							
2590767			P-UB-10	115 mm	170 mm	CTC-2590768	443.37
2897784			P-UB-10	115 mm	170 mm	CTC-2590768	443.37
MKM1-UP							
2141591			P-UB-10	90 mm	130 mm	CTC-2119614	216.63
2141591			Bushing	90 mm		CTC-1140758	54.25
2228776			P-UB-10	100 mm	140 mm	CTC-2159985	168.04
2228776			Bushing	100 mm		CTC-1140757	66.11
UNSPECIFIED APPLICATION							
CAP1-UP; JCD1-UP; JNK1-UP							
1234121			P-UB-10	2	4	CTC-2409538	94.69

REPLACEMENT KITS FOR CATERPILLAR® EQUIPMENT

Excavators							
APPLICATION	CYL #	Misc-Parts, Instructions, etc.	CODE	ROD	BORE	KIT #	List \$
MODEL 330C LN							
BOOM							
CAP1-UP; CGZ1-UP							
1915548			P-UB-10	105 mm	150 mm	CTC-1915619	222.49
1915548			Bushing	105 mm		CTC-1140760	72.04
2255306			P-UB-10	110 mm	180 mm	CTC-2304001	360.32
2255306			Bushing	110 mm		CTC-1140762	107.24
2502419			P-UB-10	105 mm	150 mm	CTC-2426840	240.72
2502419			Bushing	105 mm		CTC-1140760	72.04
BUCKET							
CAP1-UP; CGZ1-UP							
1772465			P-UB-10	105 mm	150 mm	CTC-1915619	222.49
1772465			Bushing	105 mm		CTC-1140760	72.04
1915554			P-UB-10	110 mm	160 mm	CTC-2159988	274.03
1915554			Bushing	110 mm		CTC-1140762	107.24
2478853			P-UB-10	105 mm	150 mm	CTC-1915619	222.49
2478853			Bushing	105 mm		CTC-1140760	72.04
STICK							
CAP1-UP; CGZ1-UP							
1915551			P-UB-10	115 mm	170 mm	CTC-2316844	435.81
UNSPECIFIED APPLICATION							
CAP1-UP							
1234121			P-UB-10	2	4	CTC-2409538	94.69
MODEL 330D							
BOOM							
EAH1-UP; EDX1-UP; ERN1-UP; FFK1-UP; MEY1-UP; NBD1-UP; THJ1-UP							
2344598			P-UB-10	105 mm	150 mm	CTC-2426840	240.72
2344598			Bushing	105 mm		CTC-1140760	72.04
EAH1-UP; FFK1-UP							
3119517			P-UB-10	105 mm	150 mm	CTC-2426840	240.72
3119517			Bushing	105 mm		CTC-1140760	72.04
3119524			P-UB-10	105 mm	150 mm	CTC-2502475	186.64
3119524			Bushing	105 mm		CTC-1140760	72.04
EAH1-UP; FFK1-UP; MEY1-UP; NBD1-UP							
2344608			P-UB-10	105 mm	150 mm	CTC-2502475	186.64
2344608			Bushing	105 mm		CTC-1140760	72.04
EDX1-UP; MEY1-UP; NBD1-UP							
2668074			P-UB-10	105 mm	150 mm	CTC-2590743	171.76
2668074			Bushing	105 mm		CTC-1140760	72.04
2898021			P-UB-10	105 mm	150 mm	CTC-2426840	240.72
2898021			Bushing	105 mm		CTC-1140760	72.04
MEY1-UP; NBD1-UP							
2898050			P-UB-10	105 mm	150 mm	CTC-2502475	186.64
2898050			Bushing	105 mm		CTC-1140760	72.04
BUCKET							
EAH1-UP; EDX1-UP; ERN1-UP; FFK1-UP; MEY1-UP; NBD1-UP; THJ1-UP							
2254581			P-UB-10	105 mm	150 mm	CTC-1915619	222.49
2254581			Bushing	105 mm		CTC-1140760	72.04
2344604			P-UB-10	110 mm	160 mm	CTC-2254625	370.05
2344604			Bushing	110 mm		CTC-1140762	107.24
EAH1-UP; FFK1-UP; MEY1-UP; NBD1-UP							
2254602			P-UB-10	105 mm	150 mm	CTC-2502475	186.64
2254602			Bushing	105 mm		CTC-1140760	72.04
2344614			P-UB-10	110 mm	160 mm	CTC-1948235	324.60
2344614			Bushing	110 mm		CTC-1140762	107.24

REPLACEMENT KITS FOR CATERPILLAR® EQUIPMENT

Excavators							
APPLICATION	CYL #	Misc-Parts, Instructions, etc.	CODE	ROD	BORE	KIT #	List \$
MODEL 330D							
BUCKET							
EDX1-UP; MEY1-UP; NBD1-UP							
2668083			P-UB-10	110 mm	160 mm	CTC-2590751	315.76
2668083			Bushing	110 mm		CTC-1140762	107.24
ERN1-UP; THJ1-UP							
2426767			P-UB-10	85 mm	120 mm	CTC-2478790	150.28
2426767			Bushing	85 mm		CTC-1140756	47.03
2898012			P-UB-10	105 mm	150 mm	CTC-1915619	222.49
2898012			Bushing	105 mm		CTC-1140760	72.04
2898041			P-UB-10	110 mm	160 mm	CTC-2254625	370.05
2898041			Bushing	110 mm		CTC-1140762	107.24
STICK							
EAH1-UP; EDX1-UP; ERN1-UP; FFK1-UP; MEY1-UP; NBD1-UP; THJ1-UP							
2344601			P-UB-10	115 mm	170 mm	CTC-2316844	435.81
2836188			P-UB-10	115 mm	170 mm	CTC-2316844	435.81
EAH1-UP; FFK1-UP; MEY1-UP; NBD1-UP							
2836194			P-UB-10	115 mm	170 mm	CTC-2316845	444.94
EDX1-UP; MEY1-UP; NBD1-UP							
2668077			P-UB-10	115 mm	170 mm	CTC-2590768	443.37
2836195			P-UB-10	115 mm	170 mm	CTC-2590768	443.37
2898031			P-UB-10	115 mm	170 mm	CTC-2316844	435.81
MEY1-UP; NBD1-UP							
2344611			P-UB-10	115 mm	170 mm	CTC-2316845	444.94
2898053			P-UB-10	115 mm	170 mm	CTC-2316845	444.94
MODEL 330D L							
BOOM							
B6H1-UP; EAH1-UP; EDX1-UP; FFK1-UP; GGE1-UP; HAS1-UP; JLP1-UP; MAG1-UP; MEY1-UP; MWP1-UP; NBD1-UP; RAS1-UP; T2Y1-UP							
2344598			P-UB-10	105 mm	150 mm	CTC-2426840	240.72
2344598			Bushing	105 mm		CTC-1140760	72.04
B6H1-UP; EDX1-UP; GGE1-UP; JLP1-UP; LRM1-UP; MEY1-UP; MWP1-UP; NBD1-UP; RAS1-UP; T2Y1-UP							
2898021			P-UB-10	105 mm	150 mm	CTC-2426840	240.72
2898021			Bushing	105 mm		CTC-1140760	72.04
EAH1-UP; FFK1-UP							
3119517			P-UB-10	105 mm	150 mm	CTC-2426840	240.72
3119517			Bushing	105 mm		CTC-1140760	72.04
3119524			P-UB-10	105 mm	150 mm	CTC-2502475	186.64
3119524			Bushing	105 mm		CTC-1140760	72.04
EAH1-UP; FFK1-UP; MEY1-UP; NBD1-UP							
2344608			P-UB-10	105 mm	150 mm	CTC-2502475	186.64
2344608			Bushing	105 mm		CTC-1140760	72.04
EDX1-UP; MEY1-UP; NBD1-UP							
2668074			P-UB-10	105 mm	150 mm	CTC-2590743	171.76
2668074			Bushing	105 mm		CTC-1140760	72.04
GGE1-UP; RAS1-UP							
2255306			P-UB-10	110 mm	180 mm	CTC-2304001	360.32
2255306			Bushing	110 mm		CTC-1140762	107.24
MEY1-UP; NBD1-UP							
2898050			P-UB-10	105 mm	150 mm	CTC-2502475	186.64
2898050			Bushing	105 mm		CTC-1140760	72.04
BUCKET							
B6H1-UP; EAH1-UP; EDX1-UP; FFK1-UP; GGE1-UP; HAS1-UP; JLP1-UP; MAG1-UP; MEY1-UP; MWP1-UP; NBD1-UP; RAS1-UP; T2Y1-UP							
2254581			P-UB-10	105 mm	150 mm	CTC-1915619	222.49
2254581			Bushing	105 mm		CTC-1140760	72.04

CATERPILLAR®

REPLACEMENT KITS FOR CATERPILLAR® EQUIPMENT

Excavators							
APPLICATION	CYL #	Misc-Parts, Instructions, etc.	CODE	ROD	BORE	KIT #	List \$
MODEL 330D L							
BUCKET							
B6H1-UP; EAH1-UP; EDX1-UP; FFK1-UP; GGE1-UP; JLP1-UP; MEY1-UP; NBD1-UP; RAS1-UP; T2Y1-UP							
2344604			P-UB-10	110 mm	160 mm	CTC-2254625	370.05
2344604			Bushing	110 mm		CTC-1140762	107.24
B6H1-UP; GGE1-UP; HAS1-UP; JLP1-UP; LRM1-UP; MWP1-UP; RAS1-UP; T2Y1-UP							
2898012			P-UB-10	105 mm	150 mm	CTC-1915619	222.49
2898012			Bushing	105 mm		CTC-1140760	72.04
EAH1-UP; FFK1-UP; MEY1-UP; NBD1-UP							
2254602			P-UB-10	105 mm	150 mm	CTC-2502475	186.64
2254602			Bushing	105 mm		CTC-1140760	72.04
2344614			P-UB-10	110 mm	160 mm	CTC-1948235	324.60
2344614			Bushing	110 mm		CTC-1140762	107.24
EDX1-UP; MEY1-UP; NBD1-UP							
2668083			P-UB-10	110 mm	160 mm	CTC-2590751	315.76
2668083			Bushing	110 mm		CTC-1140762	107.24
GGE1-UP; HAS1-UP; LRM1-UP; MWP1-UP; RAS1-UP; T2Y1-UP							
2898041			P-UB-10	110 mm	160 mm	CTC-2254625	370.05
2898041			Bushing	110 mm		CTC-1140762	107.24
MWP1-UP							
2254529			P-UB-10	110 mm	160 mm	CTC-2254625	370.05
2254529			Bushing	110 mm		CTC-1140762	107.24
QUICK COUPLER							
B6H1-UP; JLP1-UP							
1690753			P-U-5	40 mm	70 mm	CTC-2191322	47.37
STICK							
B6H1-UP; EAH1-UP; EDX1-UP; FFK1-UP; GGE1-UP; HAS1-UP; JLP1-UP; MEY1-UP; MWP1-UP; NBD1-UP; RAS1-UP; T2Y1-UP							
2344601			P-UB-10	115 mm	170 mm	CTC-2316844	435.81
B6H1-UP; EDX1-UP; GGE1-UP; MEY1-UP; NBD1-UP; RAS1-UP; T2Y1-UP; JLP1-UP; LRM1-UP							
2898031			P-UB-10	115 mm	170 mm	CTC-2316844	435.81
EAH1-UP; EDX1-UP; FFK1-UP; HAS1-UP; MAG1-UP; MEY1-UP; NBD1-UP; T2Y1-UP							
2836188			P-UB-10	115 mm	170 mm	CTC-2316844	435.81
EAH1-UP; FFK1-UP; MEY1-UP; NBD1-UP							
2836194			P-UB-10	115 mm	170 mm	CTC-2316845	444.94
EDX1-UP; MEY1-UP; NBD1-UP							
2668077			P-UB-10	115 mm	170 mm	CTC-2590768	443.37
2836195			P-UB-10	115 mm	170 mm	CTC-2590768	443.37
MEY1-UP; NBD1-UP							
2344611			P-UB-10	115 mm	170 mm	CTC-2316845	444.94
2898053			P-UB-10	115 mm	170 mm	CTC-2316845	444.94
MWP1-UP							
2898031			P-UB-10	115 mm	170 mm	CTC-2316844	435.81
MODEL 330D N							
BOOM							
GGE1-UP; RAS1-UP							
2255306			P-UB-10	110 mm	180 mm	CTC-2304001	360.32
2255306			Bushing	110 mm		CTC-1140762	107.24
2344598			P-UB-10	105 mm	150 mm	CTC-2426840	240.72
2344598			Bushing	105 mm		CTC-1140760	72.04
2898021			P-UB-10	105 mm	150 mm	CTC-2426840	240.72
2898021			Bushing	105 mm		CTC-1140760	72.04

REPLACEMENT KITS FOR CATERPILLAR® EQUIPMENT

Excavators							
APPLICATION	CYL #	Misc-Parts, Instructions, etc.	CODE	ROD	BORE	KIT #	List \$
MODEL 330D N							
BUCKET							
GGE1-UP; RAS1-UP							
	2254581		P-UB-10	105 mm	150 mm	CTC-1915619	222.49
	2254581		Bushing	105 mm		CTC-1140760	72.04
	2344604		P-UB-10	110 mm	160 mm	CTC-2254625	370.05
	2344604		Bushing	110 mm		CTC-1140762	107.24
	2898012		P-UB-10	105 mm	150 mm	CTC-1915619	222.49
	2898012		Bushing	105 mm		CTC-1140760	72.04
	2898041		P-UB-10	110 mm	160 mm	CTC-2254625	370.05
	2898041		Bushing	110 mm		CTC-1140762	107.24
STICK							
GGE1-UP; RAS1-UP							
	2344601		P-UB-10	115 mm	170 mm	CTC-2316844	435.81
	2898031		P-UB-10	115 mm	170 mm	CTC-2316844	435.81
MODEL 330F							
BOOM							
LNX1-UP							
	3412172		P-UB-10	100 mm	140 mm	CTC-4560200	264.52
	3412172		Bushing	100 mm		CTC-0965625	65.58
TRACK ADJUSTER							
LNX1-UP							
	2979150		TRK ADJ			CTC-SK100115	76.66
MODEL 330F L							
BOOM							
GHT1-UP; HCK1-UP; LCG1-UP; MBX1-UP							
	3412172		P-UB-10	100 mm	140 mm	CTC-4560200	264.52
	3412172		Bushing	100 mm		CTC-0965625	65.58
BUCKET							
GHT1-UP; HCK1-UP; LCG1-UP; MBX1-UP							
	3412182		P-UB-10	95 mm	135 mm	CTC-4560209	214.30
	3412182		Bushing	95 mm		CTC-0964430	47.85
HCK1-UP; LCG1-UP; MBX1-UP							
	3550712		P-UB-10	95 mm	135 mm	CTC-3979295	336.69
	3550712		Bushing	95 mm		CTC-1289260	56.30
	3852834		P-UB-14	70 mm	100 mm	CTC-3904227	306.68
	3852834		Bushing	70 mm		CTC-3904158	31.10
LCG1-UP; MBX1-UP							
	3579766		P-UB-10	105 mm	150 mm	CTC-5185138	223.63
	3579766		Bushing	105 mm		CTC-1140760	72.04
COUPLER							
HCK1-UP; MBX1-UP							
	3897213		Chk Vlv Kit			CTC-2138433	17.12
	3897213		I-U-10	1-1/2	2-1/2	CTC-4536523	21.00
MBX1-UP							
	2948011		P-U-10,12	2	3-1/2	CTC-3460643	60.25
STICK							
GHT1-UP; HCK1-UP; LCG1-UP; MBX1-UP							
	3412177		P-UB-10	105 mm	150 mm	CTC-4560205	307.70
	3412177		Bushing	105 mm		CTC-0995572	56.41
	5656417		P-UB-10	105 mm	150 mm	CTC-4560205	307.70
	5656417		Bushing	105 mm		CTC-0995572	56.41
HCK1-UP							
	2166607		P-UB-10	105 mm	150 mm	CTC-5551814	236.43
	2166607		Bushing	105 mm		CTC-1140760	72.04

REPLACEMENT KITS FOR CATERPILLAR® EQUIPMENT

Excavators							
APPLICATION	CYL #	Misc-Parts, Instructions, etc.	CODE	ROD	BORE	KIT #	List \$
MODEL 330F L							
STICK							
LCG1-UP; MBX1-UP							
	2166607		P-UB-10	105 mm	150 mm	CTC-5185133	236.43
	2166607		Bushing	105 mm		CTC-1140760	72.04
TRACK ADJUSTER							
GHT1-UP; HCK1-UP; LCG1-UP; MBX1-UP							
	2979150		TRK ADJ			CTC-SK100115	76.66
MODEL 330F LN							
BOOM							
HBT1-UP; JFR1-UP; JHF1-UP; KFA1-UP; LBN1-UP; WBA1-UP							
	3412172		P-UB-10	100 mm	140 mm	CTC-4560200	264.52
	3412172		Bushing	100 mm		CTC-0965625	65.58
BUCKET							
HBT1-UP; JFR1-UP; JHF1-UP; KFA1-UP; LBN1-UP; WBA1-UP							
	3412182		P-UB-10	95 mm	135 mm	CTC-4560209	214.30
	3412182		Bushing	95 mm		CTC-0964430	47.85
	3550712		P-UB-10	95 mm	135 mm	CTC-3979295	336.69
	3550712		Bushing	95 mm		CTC-1289260	56.30
LBN1-UP; WBA1-UP							
	3579766		P-UB-10	105 mm	150 mm	CTC-5185138	223.63
	3579766		Bushing	105 mm		CTC-1140760	72.04
COUPLER							
JHF1-UP; KFA1-UP							
	3897213		Chk Vlv Kit			CTC-2138433	17.12
	3897213		I-U-10	1-1/2	2-1/2	CTC-4536523	21.00
LBN1-UP; WBA1-UP							
	1690753		P-U-5	40 mm	70 mm	CTC-2191322	47.37
STICK							
HBT1-UP; JFR1-UP; JHF1-UP; KFA1-UP							
	5656417		P-UB-10	105 mm	150 mm	CTC-4560205	307.70
	5656417		Bushing	105 mm		CTC-0995572	56.41
HBT1-UP; JFR1-UP; JHF1-UP; KFA1-UP; LBN1-UP; WBA1-UP							
	3412177		P-UB-10	105 mm	150 mm	CTC-4560205	307.70
	3412177		Bushing	105 mm		CTC-0995572	56.41
LBN1-UP; WBA1-UP							
	2166607		P-UB-10	105 mm	150 mm	CTC-5185133	236.43
	2166607		Bushing	105 mm		CTC-1140760	72.04
TRACK ADJUSTER							
HBT1-UP; JFR1-UP; JHF1-UP; KFA1-UP; LBN1-UP; WBA1-UP							
	2979150		TRK ADJ			CTC-SK100115	76.66
MODEL 330L							
BOOM							
	7Y4906		P-UB-10	105 mm	150 mm	CTC-1163612	413.90
BUCKET							
	1183921		P-UB-10	105 mm	150 mm	CTC-1163612	413.90
	1183935		P-UB-10	110 mm	160 mm	CTC-1183946	494.66
	411726		P-UB-10	110 mm	160 mm	CTC-0876654	437.78
	7Y5100		P-UB-10	85 mm	130 mm	CTC-7Y5145	366.57
	7Y5150		P-UB-10	105 mm	150 mm	CTC-1163612	413.90
	875531		P-UB-10	110 mm	160 mm	CTC-0876654	437.78
STICK							
	1163638		P-UB-10	110 mm	170 mm	CTC-1163649	390.69
	7Y4926		P-UB-10	110 mm	170 mm	CTC-1163649	390.69
TILT							
	1163578		P-UB-10	105 mm	150 mm	CTC-1163612	413.90

REPLACEMENT KITS FOR CATERPILLAR® EQUIPMENT

Excavators							
APPLICATION	CYL #	Misc-Parts, Instructions, etc.	CODE	ROD	BORE	KIT #	List \$
MODEL 335F L							
BLADE LH							
FEP1-UP; SGJ1-UP							
1913288			P-UB-10	100 mm	140 mm	CTC-4661538	250.83
1913288			Bushing	100 mm		CTC-0965625	65.58
BLADE RH							
FEP1-UP; SGJ1-UP							
1913286			P-UB-10	100 mm	140 mm	CTC-4661538	250.83
1913286			Bushing	100 mm		CTC-0965625	65.58
BOOM							
FEP1-UP; SGJ1-UP							
3991890			P-UB-10	100 mm	140 mm	CTC-4560200	264.52
3991890			Bushing	100 mm		CTC-0965625	65.58
BUCKET							
FEP1-UP; SGJ1-UP							
3412182			P-UB-10	95 mm	135 mm	CTC-4560209	214.30
3412182			Bushing	95 mm		CTC-0964430	47.85
SGJ1-UP							
3412177			P-UB-10	105 mm	150 mm	CTC-4560205	307.70
3412177			Bushing	105 mm		CTC-0995572	56.41
COUPLER							
FEP1-UP; SGJ1-UP							
3897213			Chk Vlv Kit			CTC-2138433	17.12
3897213			I-U-10	1-1/2	2-1/2	CTC-4536523	21.00
STICK							
FEP1-UP; SGJ1-UP							
5656417			P-UB-10	105 mm	150 mm	CTC-4560205	307.70
5656417			Bushing	105 mm		CTC-0995572	56.41
TRACK ADJUSTER							
FEP1-UP; SGJ1-UP							
2979151			TRK ADJ			CTC-SK100116	186.38
MODEL 335F LCR							
BLADE LH							
KNE1-UP							
1913288			P-UB-10	100 mm	140 mm	CTC-4661538	250.83
1913288			Bushing	100 mm		CTC-0965625	65.58
BLADE RH							
KNE1-UP							
1913286			P-UB-10	100 mm	140 mm	CTC-4661538	250.83
1913286			Bushing	100 mm		CTC-0965625	65.58
BOOM							
KNE1-UP							
3991890			P-UB-10	100 mm	140 mm	CTC-4560200	264.52
3991890			Bushing	100 mm		CTC-0965625	65.58
BUCKET							
KNE1-UP							
3412182			P-UB-10	95 mm	135 mm	CTC-4560209	214.30
3412182			Bushing	95 mm		CTC-0964430	47.85
COUPLER							
KNE1-UP							
2948011			P-U-10,12	2	3-1/2	CTC-3460643	60.25
3897213			Chk Vlv Kit			CTC-2138433	17.12
3897213			I-U-10	1-1/2	2-1/2	CTC-4536523	21.00

CATERPILLAR®

REPLACEMENT KITS FOR CATERPILLAR® EQUIPMENT

Excavators							
APPLICATION	CYL #	Misc-Parts, Instructions, etc.	CODE	ROD	BORE	KIT #	List \$
MODEL 335F LCR							
STICK							
KNE1-UP							
3412177			P-UB-10	105 mm	150 mm	CTC-4560205	307.70
3412177			Bushing	105 mm		CTC-0995572	56.41
5656417			P-UB-10	105 mm	150 mm	CTC-4560205	307.70
5656417			Bushing	105 mm		CTC-0995572	56.41
TRACK ADJUSTER							
KNE1-UP							
2979151			TRK ADJ			CTC-SK100116	186.38
MODEL 336D							
BOOM							
JBT1-UP							
3119517			P-UB-10	105 mm	150 mm	CTC-3249485	257.86
JBT1-UP; KKT1-UP; PGW1-UP							
3119524			P-UB-10	105 mm	150 mm	CTC-2502475	186.64
KKT1-UP							
3119531			P-UB-10	105 mm	150 mm	CTC-2502475	186.64
KKT1-UP; PGW1-UP							
3119517			P-UB-10	105 mm	150 mm	CTC-2426840	240.72
3119525			P-UB-10	105 mm	150 mm	CTC-2590743	171.76
3119526			P-UB-10	105 mm	150 mm	CTC-2426840	240.72
MYP1-UP							
2255306	Variable Adj Boom		P-UB-10	110 mm	180 mm	CTC-2304001	360.32
PGW1-UP							
3119531			P-UB-10	105 mm	150 mm	CTC-3764334	257.86
BUCKET							
JBT1-UP; KKT1-UP; PGW1-UP							
3154442			P-UB-10	105 mm	150 mm	CTC-1915619	222.49
3154442			P-UB-10	105 mm	150 mm	CTC-3764331	215.87
3154449			P-UB-10	105 mm	150 mm	CTC-3764332	215.87
3154463			P-UB-10	110 mm	160 mm	CTC-2254625	370.05
3154471			P-UB-10	110 mm	160 mm	CTC-1948235	324.60
JBT1-UP; PGW1-UP							
3154463			P-UB-10	110 mm	160 mm	CTC-3338750	236.68
KKT1-UP							
2668083			P-UB-10	110 mm	160 mm	CTC-2590751	315.76
2898041			P-UB-10	110 mm	160 mm	CTC-2254625	370.05
KKT1-UP; MYG1-UP; MYP1-UP; PGW1-UP							
3154451			P-UB-10	105 mm	150 mm	CTC-1915619	222.49
KKT1-UP; PGW1-UP							
3154450			P-UB-10	105 mm	150 mm	CTC-2590743	171.76
3154455			P-UB-10	105 mm	150 mm	CTC-2502475	186.64
3154472			P-UB-10	110 mm	160 mm	CTC-2590751	315.76
3154473			P-UB-10	110 mm	160 mm	CTC-2254625	370.05
3154474			P-UB-10	110 mm	160 mm	CTC-1948235	324.60
MYG1-UP; MYP1-UP							
3154473			P-UB-10	110 mm	160 mm	CTC-3338750	236.68
COUPLER							
KKT1-UP; PGW1-UP							
2948011			P-U-10,12	2	3-1/2	CTC-3460643	60.25
MYG1-UP; MYP1-UP							
1690753			P-U-5	40 mm	70 mm	CTC-2191322	47.37
STICK							
JBT1-UP; KKT1-UP; PGW1-UP							
2836188			P-UB-10	115 mm	170 mm	CTC-2316844	435.81
2836194			P-UB-10	115 mm	170 mm	CTC-2316845	444.94

REPLACEMENT KITS FOR CATERPILLAR® EQUIPMENT

Excavators							
APPLICATION	CYL #	Misc-Parts, Instructions, etc.	CODE	ROD	BORE	KIT #	List \$
MODEL 336D							
STICK							
KKT1-UP							
2898031			P-UB-10	115 mm	170 mm	CTC-2316844	435.81
KKT1-UP; PGW1-UP							
2836188			P-UB-10	115 mm	170 mm	CTC-3198295	317.36
2836194			P-UB-10	115 mm	170 mm	CTC-3764333	317.36
2836195			P-UB-10	115 mm	170 mm	CTC-2590768	443.37
2898053			P-UB-10	115 mm	170 mm	CTC-2316845	444.94
MYP1-UP; PGW1-UP							
2898031			P-UB-10	115 mm	170 mm	CTC-3198295	317.36
MODEL 336D L							
BOOM							
DTS1-UP; J2F1-UP; JBF1-UP; JWR1-UP; KDJ1-UP; L5X1-UP; LMG1-UP; MDS1-UP; PPN1-UP; PRF1-UP; PTB1-UP; WET1-UP; W3K1-UP; WRKZ-UP; ZML1-UP							
3119526			P-UB-10	105 mm	150 mm	CTC-2426840	240.72
J2F1-UP; MDS1-UP; W3K1-UP; ZML1-UP							
3585972			P-UB-10	105 mm	150 mm	CTC-3249485	257.86
KDJ1-UP							
2255306	Variable Adj Boom		P-UB-10	110 mm	180 mm	CTC-2304001	360.32
M4T1-UP							
2898021			P-UB-10	105 mm	150 mm	CTC-2426840	240.72
MPL1-UP							
3119517			P-UB-10	105 mm	150 mm	CTC-3249485	257.86
MPL1-UP; PRF1-UP; WRK1-UP							
3119524			P-UB-10	105 mm	150 mm	CTC-2502475	186.64
PRF1-UP							
3119531			P-UB-10	105 mm	150 mm	CTC-2502475	186.64
PRF1-UP; WRK1-UP							
3119517			P-UB-10	105 mm	150 mm	CTC-2426840	240.72
3119525			P-UB-10	105 mm	150 mm	CTC-2590743	171.76
WRK1-UP							
3119531			P-UB-10	105 mm	150 mm	CTC-3764334	257.86
BUCKET							
DTS1-UP; J2F1-UP; JBF1-UP; JWR1-UP; KDJ1-UP; LMG1-UP; MDS1-UP; PPN1-UP; PTB1-UP; WET1-UP; W3K1-UP							
3154473			P-UB-10	110 mm	160 mm	CTC-3338750	236.68
DTS1-UP; J2F1-UP; JBF1-UP; JWR1-UP; KDJ1-UP; LMG1-UP; PPN1-UP; PRF1-UP; PTB1-UP; WET1-UP; W3K1-UP; WRK1-UP; ZML1-UP							
3154451			P-UB-10	105 mm	150 mm	CTC-1915619	222.49
DTS1-UP; JBF1-UP; JWR1-UP; LMG1-UP							
2897948			P-UB-10	85 mm	120 mm	CTC-2478790	150.28
J2F1-UP; M4T1-UP							
2898012			P-UB-10	105 mm	150 mm	CTC-1915619	222.49
J2F1-UP; MDS1-UP; W3K1-UP; ZML1-UP							
3579784			P-UB-10	110 mm	160 mm	CTC-3338750	236.68
3588482			P-UB-10	110 mm	160 mm	CTC-3338750	236.68
J2F1-UP; W3K1-UP; ZML1-UP							
3579766			P-UB-10	105 mm	150 mm	CTC-3764331	215.87
M4T1-UP; PRF1-UP							
2898041			P-UB-10	110 mm	160 mm	CTC-2254625	370.05
MPL1-UP; PRF1-UP; WRK1-UP							
3154442			P-UB-10	105 mm	150 mm	CTC-1915619	222.49
3154442			P-UB-10	105 mm	150 mm	CTC-3764331	215.87
3154449			P-UB-10	105 mm	150 mm	CTC-3764332	215.87
3154463			P-UB-10	110 mm	160 mm	CTC-2254625	370.05
3154471			P-UB-10	110 mm	160 mm	CTC-1948235	324.60
MPL1-UP; WRK1-UP							
3154463			P-UB-10	110 mm	160 mm	CTC-3338750	236.68

CATERPILLAR®

REPLACEMENT KITS FOR CATERPILLAR® EQUIPMENT

Excavators							
APPLICATION	CYL #	Misc-Parts, Instructions, etc.	CODE	ROD	BORE	KIT #	List \$
MODEL 336D L							
BUCKET							
PRF1-UP							
2668083			P-UB-10	110 mm	160 mm	CTC-2590751	315.76
PRF1-UP; WRK1-UP							
3154450			P-UB-10	105 mm	150 mm	CTC-2590743	171.76
3154455			P-UB-10	105 mm	150 mm	CTC-2502475	186.64
3154472			P-UB-10	110 mm	160 mm	CTC-2590751	315.76
3154473			P-UB-10	110 mm	160 mm	CTC-2254625	370.05
3154474			P-UB-10	110 mm	160 mm	CTC-1948235	324.60
COUPLER							
DTS1-UP; JBF1-UP; KDJ1-UP; LMG1-UP; M4T1-UP; PPN1-UP; WET1-UP							
1690753			P-U-5	40 mm	70 mm	CTC-2191322	47.37
J2F1-UP; W3K1-UP							
3270338			I-U-10	75 mm	100 mm	CTC-3265051	91.35
PRF1-UP; W3K1-UP; WRK1-UP							
2948011			P-U-10,12	2	3-1/2	CTC-3460643	60.25
STICK							
DTS1-UP; JBF1-UP; JWR1-UP; KDJ1-UP; LMG1-UP; PPN1-UP; PTB1-UP; WET1-UP; WRK1-UP							
2898031			P-UB-10	115 mm	170 mm	CTC-3198295	317.36
J2F1-UP; M4T1-UP; MDS1-UP; PRF1-UP; W3K1-UP; ZML1-UP							
2898031			P-UB-10	115 mm	170 mm	CTC-2316844	435.81
J2F1-UP; MDS1-UP; W3K1-UP; ZML1-UP							
3751722			P-UB-10	115 mm	170 mm	CTC-3751733	345.76
MPL1-UP; PRF1-UP; WRK1-UP							
2836188			P-UB-10	115 mm	170 mm	CTC-2316844	435.81
2836194			P-UB-10	115 mm	170 mm	CTC-2316845	444.94
PRF1-UP; WRK1-UP							
2836188			P-UB-10	115 mm	170 mm	CTC-3198295	317.36
2836194			P-UB-10	115 mm	170 mm	CTC-3764333	317.36
2836195			P-UB-10	115 mm	170 mm	CTC-2590768	443.37
2898053			P-UB-10	115 mm	170 mm	CTC-2316845	444.94
MODEL 336D LN							
BOOM							
MYG1-UP; MYP1-UP							
3119526			P-UB-10	105 mm	150 mm	CTC-2426840	240.72
STICK							
MYG1-UP							
2898031			P-UB-10	115 mm	170 mm	CTC-3198295	317.36
MODEL 336E H							
BOOM							
HDW1-UP							
3585972			P-UB-10	105 mm	150 mm	CTC-3249485	257.86
BUCKET							
HDW1-UP							
3260415			P-UB-10	105 mm	150 mm	CTC-3249485	257.86
3579766			P-UB-10	105 mm	150 mm	CTC-3249485	257.86
STICK							
HDW1-UP							
3751722			P-UB-10	115 mm	170 mm	CTC-3751733	345.76
MODEL 336E L							
BOOM							
BMH1-UP; BZY1-UP; CMR1-UP; DPX1-UP; FJH1-UP; GTJ1-UP; JRJ1-UP; KED1-UP; TEG1-UP; YCE1-UP; YEP1-UP							
3585972			P-UB-10	105 mm	150 mm	CTC-3249485	257.86
BZY1-UP; YEP1-UP							
3198275			P-UB-10	105 mm	150 mm	CTC-3249485	257.86

REPLACEMENT KITS FOR CATERPILLAR® EQUIPMENT

Excavators							
APPLICATION	CYL #	Misc-Parts, Instructions, etc.	CODE	ROD	BORE	KIT #	List \$
MODEL 336E L							
BUCKET							
BMH1-UP; BZY1-UP; CMR1-UP; DPX1-UP; FJH1-UP; GTJ1-UP; JRJ1-UP; KED1-UP; TEG1-UP; YCE1-UP; YEP1-UP							
3260415			P-UB-10	105 mm	150 mm	CTC-3249485	257.86
BMH1-UP; BZY1-UP; CMR1-UP; DPX1-UP; GTJ1-UP; KED1-UP; TEG1-UP; YEP1-UP							
3579766			P-UB-10	105 mm	150 mm	CTC-3249485	257.86
BZY1-UP; CMR1-UP; FJH1-UP; GTJ1-UP; JRJ1-UP; KED1-UP; TEG1-UP; YCE1-UP; YEP1-UP							
3579784			P-UB-10	110 mm	160 mm	CTC-3338750	236.68
BZY1-UP; YEP1-UP							
3198277			P-UB-10	105 mm	150 mm	CTC-3249485	257.86
3278185			P-UB-10	110 mm	160 mm	CTC-3338750	236.68
FJH1-UP; JRJ1-UP; YCE1-UP							
3579766			P-UB-10	105 mm	150 mm	CTC-3764331	215.87
COUPLER							
BZY1-UP; CMR1-UP; FJH1-UP; GTJ1-UP; JRJ1-UP; KED1-UP; TEG1-UP; YEP1-UP							
2948011			P-U-10,12	2	3-1/2	CTC-3460643	60.25
YCE1-UP							
1690753			P-U-5	40 mm	70 mm	CTC-2191322	47.37
STICK							
BMH1-UP; BZY1-UP; CMR1-UP; DPX1-UP; FJH1-UP; GTJ1-UP; JRJ1-UP; KED1-UP; TEG1-UP; YCE1-UP; YEP1-UP							
3751722			P-UB-10	115 mm	170 mm	CTC-3751733	345.76
BZY1-UP; CMR1-UP; GTJ1-UP; KED1-UP; TEG1-UP; YCE1-UP; YEP1-UP							
3574703			P-UB-10	115 mm	170 mm	CTC-3198295	317.36
BZY1-UP; YEP1-UP							
3198276			P-UB-10	115 mm	170 mm	CTC-3198295	317.36
MODEL 336E LH							
BOOM							
GNY1-UP; JEA1-UP; RZA1-UP							
3585972			P-UB-10	105 mm	150 mm	CTC-3249485	257.86
BUCKET							
GNY1-UP; JEA1-UP; RZA1-UP							
3260415			P-UB-10	105 mm	150 mm	CTC-3249485	257.86
3579766			P-UB-10	105 mm	150 mm	CTC-3249485	257.86
COUPLER							
RZA1-UP							
2948011			P-U-10,12	2	3-1/2	CTC-3460643	60.25
STICK							
GNY1-UP; JEA1-UP; RZA1-UP							
3751722			P-UB-10	115 mm	170 mm	CTC-3751733	345.76
RZA1-UP							
3574703			P-UB-10	115 mm	170 mm	CTC-3198295	317.36
MODEL 336E LN							
BOOM							
TMZ1-UP							
3585972			P-UB-10	105 mm	150 mm	CTC-3249485	257.86
BUCKET							
TMZ1-UP							
3260415			P-UB-10	105 mm	150 mm	CTC-3249485	257.86
3579766			P-UB-10	105 mm	150 mm	CTC-3764331	215.87
3579784			P-UB-10	110 mm	160 mm	CTC-3338750	236.68
COUPLER							
TMZ1-UP							
1690753			P-U-5	40 mm	70 mm	CTC-2191322	47.37
STICK							
TMZ1-UP							
3574703			P-UB-10	115 mm	170 mm	CTC-3198295	317.36
3751722			P-UB-10	115 mm	170 mm	CTC-3751733	345.76

CATERPILLAR®

REPLACEMENT KITS FOR CATERPILLAR® EQUIPMENT

Excavators							
APPLICATION	CYL #	Misc-Parts, Instructions, etc.	CODE	ROD	BORE	KIT #	List \$
MODEL 336E LNH							
BOOM							
SSL1-UP							
	3585972		P-UB-10	105 mm	150 mm	CTC-3249485	257.86
BUCKET							
SSL1-UP							
	3260415		P-UB-10	105 mm	150 mm	CTC-3249485	257.86
	3579766		P-UB-10	105 mm	150 mm	CTC-3249485	257.86
STICK							
SSL1-UP							
	3751722		P-UB-10	115 mm	170 mm	CTC-3751733	345.76
MODEL 336F L							
BOOM							
RKB1-UP; SSN1-UP; TZA1-UP							
	3585972		P-UB-10	105 mm	150 mm	CTC-3249485	257.86
	3585972		Bushing	105 mm		CTC-1140760	72.04
BUCKET							
RKB1-UP; SSN1-UP							
	3260415		P-UB-10	105 mm	150 mm	CTC-3249485	257.86
	3260415		Bushing	105 mm		CTC-1140760	72.04
RKB1-UP; SSN1-UP; TZA1-UP							
	3579766		P-UB-10	105 mm	150 mm	CTC-3764331	215.87
	3579766		Bushing	105 mm		CTC-1140760	72.04
	3579784		P-UB-10	110 mm	160 mm	CTC-3338750	236.68
	3579784		Bushing	110 mm		CTC-1140762	107.24
COUPLER							
RKB1-UP; TZA1-UP							
	2948011		P-U-10,12	2	3-1/2	CTC-3460643	60.25
STICK							
RKB1-UP; SSN1-UP; TZA1-UP							
	3751722		P-UB-10	115 mm	170 mm	CTC-3751733	345.76
	3751722		Bushing	115 mm		CTC-1915644	102.23
TRACK ADJUSTER							
RKB1-UP; SSN1-UP; TZA1-UP							
	2979151		TRK ADJ			CTC-SK100116	186.38
MODEL 345B, 345BL							
BOOM							
	1297829		P-UB-10	110 mm	160 mm	CTC-1680760	460.57
	1553737		P-UB-10	110 mm	160 mm	CTC-1680760	460.57
BUCKET							
	1183935		P-UB-10	110 mm	160 mm	CTC-1680760	460.57
	1184134		P-UB-10	85 mm	120 mm	CTC-1184131	342.72
	1232044		P-UB-10	90 mm	130 mm	CTC-1184175	404.99
	1297835		P-UB-10	110 mm	170 mm	CTC-1680759	549.61
COUNTERWEIGHT							
	1231078		P-UB-10	3	4-3/4	CTC-1570288	223.98
MATERIAL HANDLER							
	1504125		P-UB-10	110 mm	170 mm	CTC-1680759	549.61
STEERING							
	1151371		P-UB-10	2-1/4	4	CTC-1546526	196.04
STICK							
	1163638		P-UB-10	110 mm	170 mm	CTC-1680759	549.61
	1297832		P-UB-10	130 mm	190 mm	CTC-1261979	403.68

REPLACEMENT KITS FOR CATERPILLAR® EQUIPMENT

Excavators							
APPLICATION	CYL #	Misc-Parts, Instructions, etc.	CODE	ROD	BORE	KIT #	List \$
MODEL 345C							
BOOM							
BWY1-UP; ELS1-UP; GCL1-UP; TAJ1-UP; TBA1-UP; WDE1-UP							
2254523			P-UB-10	110 mm	160 mm	CTC-2254625	370.05
2254523			Bushing	110 mm		CTC-1140762	107.24
BWY1-UP; TBA1-UP; WDE1-UP							
2668087			P-UB-10	110 mm	160 mm	CTC-2742460	362.78
2668087			Bushing	110 mm		CTC-1140762	107.24
BUCKET							
BWY1-UP; ELS1-UP; GCL1-UP; TAJ1-UP; TBA1-UP; WDE1-UP							
2254529			P-UB-10	110 mm	160 mm	CTC-2254625	370.05
2254529			Bushing	110 mm		CTC-1140762	107.24
2254532			P-UB-10	110 mm	170 mm	CTC-2344442	327.60
2254532			Bushing	110 mm		CTC-1140761	114.55
BWY1-UP; TBA1-UP; WDE1-UP							
2742456			P-UB-10	110 mm	160 mm	CTC-2742460	362.78
2742456			Bushing	110 mm		CTC-1140762	107.24
2742459			P-UB-10	110 mm	170 mm	CTC-2742462	369.37
2742459			Bushing	110 mm		CTC-1140761	114.55
COUNTERWEIGHT							
BWY1-UP; TAJ1-UP; TBA1-UP; WDE1-UP							
2369769			P-UB-10	3	4-3/4	CTC-2369769K	137.69
STICK							
BWY1-UP; ELS1-UP; GCL1-UP; TAJ1-UP; TBA1-UP; WDE1-UP							
2254526			P-UB-10	130 mm	190 mm	CTC-2254646	441.14
2254526			Bushing	130 mm		CTC-1140763	109.42
BWY1-UP; TAJ1-UP; TBA1-UP; WDE1-UP							
2426839			P-UB-10	130 mm	190 mm	CTC-2254646	441.14
2426839			Bushing	130 mm		CTC-1140763	109.42
BWY1-UP; TBA1-UP; WDE1-UP							
2742453			P-UB-10	130 mm	190 mm	CTC-2742461	597.68
2742453			Bushing	130 mm		CTC-1140763	109.42
MODEL 345C L							
BOOM							
BWY1-UP; DHP1-UP; ELS1-UP; ESD1-UP; FPC1-UP; GCL1-UP; GJR1-UP; GPH1-UP; LYS1-UP; PJW1-UP; S5M1-UP; TBA1-UP; TDG1-UP; WDE1-UP							
2254523			P-UB-10	110 mm	160 mm	CTC-2254625	370.05
2254523			Bushing	110 mm		CTC-1140762	107.24
BWY1-UP; DHP1-UP; GJR1-UP; TBA1-UP; WDE1-UP							
2668087			P-UB-10	110 mm	160 mm	CTC-2742460	362.78
2668087			Bushing	110 mm		CTC-1140762	107.24
BUCKET							
BWY1-UP; DHP1-UP; ELS1-UP; ESD1-UP; ESD1-UP; FPC1-UP; GCL1-UP; GJR1-UP; GPH1-UP; LYS1-UP; PJW1-UP; PJW1-UP; S5M1-UP; TBA1-UP; TDG1-UP; TDG1-UP; WDE1-UP							
2254529			P-UB-10	110 mm	160 mm	CTC-2254625	370.05
2254529			Bushing	110 mm		CTC-1140762	107.24
BWY1-UP; DHP1-UP; ELS1-UP; ESD1-UP; GCL1-UP; GJR1-UP; GPH1-UP; LYS1-UP; PJW1-UP; S5M1-UP; TBA1-UP; TDG1-UP; WDE1-UP							
2254532			P-UB-10	110 mm	170 mm	CTC-2344442	327.60
2254532			Bushing	110 mm		CTC-1140761	114.55
BWY1-UP; DHP1-UP; GJR1-UP; TBA1-UP; WDE1-UP							
2742456			P-UB-10	110 mm	160 mm	CTC-2742460	362.78
2742456			Bushing	110 mm		CTC-1140762	107.24
2742459			P-UB-10	110 mm	170 mm	CTC-2742462	369.37
2742459			Bushing	110 mm		CTC-1140761	114.55
COUNTERWEIGHT							
BWY1-UP; DHP1-UP; ESD1-UP; FPC1-UP; GJR1-UP; PJW1-UP; TBA1-UP; TDG1-UP; WDE1-UP							
2369769			P-UB-10	3	4-3/4	CTC-2369769K	137.69

CATERPILLAR®

REPLACEMENT KITS FOR CATERPILLAR® EQUIPMENT

Excavators							
APPLICATION	CYL #	Misc-Parts, Instructions, etc.	CODE	ROD	BORE	KIT #	List \$
MODEL 345C L							
STICK							
BWY1-UP; DHP1-UP; ELS1-UP; ESD1-UP; FPC1-UP; GCL1-UP; GJR1-UP; GPH1-UP; LYS1-UP; PJW1-UP; S5M1-UP; TBA1-UP; TDG1-UP; WDE1-UP							
2254526			P-UB-10	130 mm	190 mm	CTC-2254646	441.14
2254526			Bushing	130 mm		CTC-1140763	109.42
BWY1-UP; DHP1-UP; ESD1-UP; GJR1-UP; PJW1-UP; S5M1-UP; TBA1-UP; TDG1-UP; WDE1-UP							
2426839			P-UB-10	130 mm	190 mm	CTC-2254646	441.14
2426839			Bushing	130 mm		CTC-1140763	109.42
BWY1-UP; DHP1-UP; GJR1-UP; TBA1-UP; WDE1-UP							
2742453			P-UB-10	130 mm	190 mm	CTC-2742461	597.68
2742453			Bushing	130 mm		CTC-1140763	109.42
MODEL 345D L							
BOOM							
BYC1-UP; EEH1-UP; GYR1-UP; JKN1-UP; KFH1-UP; LKY1-UP; MLK1-UP; NLM1-UP; PBT1-UP; RAE1-UP; RAJ1-UP; RGD1-UP; RGG1-UP; YEE1-UP							
2254523			P-UB-10	110 mm	160 mm	CTC-3764336	247.39
BYC1-UP; JKN1-UP; PBT1-UP; RAE1-UP							
2668087			P-UB-10	110 mm	160 mm	CTC-2742460	362.78
BUCKET							
BYC1-UP; EEH1-UP; GYR1-UP; JKN1-UP; KFH1-UP; LKY1-UP; MLK1-UP; NLM1-UP; RAE1-UP; PBT1-UP; RAJ1-UP; RGD1-UP; RGG1-UP; YEE1-UP							
2254532			P-UB-10	110 mm	170 mm	CTC-3338675	305.37
BYC1-UP; EEH1-UP; GYR1-UP; JKN1-UP; KFH1-UP; LKY1-UP; NLM1-UP; MLK1-UP; PBT1-UP; RAE1-UP; RAJ1-UP; RGG1-UP; YEE1-UP							
2937678			P-UB-10	110 mm	160 mm	CTC-2254625	370.05
BYC1-UP; GYR1-UP; KFH1-UP; LKY1-UP; NLM1-UP; RGD1-UP; RGG1-UP							
2254529			P-UB-10	110 mm	160 mm	CTC-3338750	236.68
BYC1-UP; JKN1-UP; PBT1-UP; RAE1-UP							
2742456			P-UB-10	110 mm	160 mm	CTC-2742460	362.78
2742459			P-UB-10	110 mm	170 mm	CTC-2742462	369.37
EEH1-UP; JKN1-UP; MLK1-UP; PBT1-UP; RAE1-UP; RAJ1-UP; YEE1-UP							
2254529			P-UB-10	110 mm	160 mm	CTC-2254625	370.05
EEH1-UP; RAJ1-UP; YEE1-UP							
3675217			P-UB-10	110 mm	160 mm	CTC-3338750	236.68
COUNTERWEIGHT							
BYC1-UP; EEH1-UP; JKN1-UP; PBT1-UP; RAE1-UP; RAJ1-UP; YEE1-UP							
2369769			P-UB-10	3	4-3/4	CTC-2369769K	137.69
COUPLER							
EEH1-UP; JKN1-UP; RAJ1-UP; YEE1-UP							
3030703	Quick Coupler		P-U-10,12	3-1/4	5-1/2	CTC-3460644	134.24
EEH1-UP; MLK1-UP; RAJ1-UP; YEE1-UP							
1690753	Lock		P-U-5	40 mm	70 mm	CTC-2191322	47.37
EEH1-UP; RAJ1-UP; YEE1-UP							
2692106			I-U-14	50 mm	100 mm	CTC-2525507	218.41
3242645			I-U-10	50 mm	100 mm	CTC-3265946	95.52
STICK							
BYC1-UP; GYR1-UP; JKN1-UP; KFH1-UP; LKY1-UP; MLK1-UP; NLM1-UP; PBT1-UP; RAE1-UP; RGD1-UP; RGG1-UP; YEE1-UP							
2254526			P-UB-10	130 mm	190 mm	CTC-3319328	453.04
BYC1-UP; JKN1-UP; PBT1-UP; RAE1-UP							
2742453			P-UB-10	130 mm	190 mm	CTC-2742461	597.68
EEH1-UP; RAJ1-UP							
2254526			P-UB-10	130 mm	190 mm	CTC-2254646	441.14
MODEL 349E							
BOOM							
FJB1-UP; RGH1-UP							
3588439			P-UB-10	115 mm	170 mm	CTC-3198295	317.36
3588439			Bushing	115 mm		CTC-1915644	102.23

REPLACEMENT KITS FOR CATERPILLAR® EQUIPMENT

Excavators							
APPLICATION	CYL #	Misc-Parts, Instructions, etc.	CODE	ROD	BORE	KIT #	List \$
MODEL 349E							
BUCKET							
FJB1-UP; RGH1-UP							
3579784			P-UB-10	110 mm	160 mm	CTC-3338750	236.68
3579784			Bushing	110 mm		CTC-1140762	107.24
3588482			P-UB-10	110 mm	160 mm	CTC-3338750	236.68
3588482			Bushing	110 mm		CTC-1140762	107.24
3588503			P-UB-10	110 mm	170 mm	CTC-3338675	305.37
3588503			Bushing	110 mm		CTC-1140761	114.55
STICK							
FJB1-UP; RGH1-UP							
3588461			P-UB-10	130 mm	190 mm	CTC-3319328	453.04
3588461			Bushing	130 mm		CTC-1140763	109.42
3706692			P-UB-10	130 mm	190 mm	CTC-3799497	342.94
3706692			Bushing	130 mm		CTC-1140763	109.42
TRACK ADJUSTER							
FJB1-UP; RGH1-UP							
2979250			TRK ADJ			CTC-SK100117	118.97
MODEL 349E L							
BOOM							
ETC1-UP; MPZ1-UP; MZW1-UP; SPG1-UP; TFG1-UP; WHZ1-UP							
3588439			P-UB-10	115 mm	170 mm	CTC-3198295	317.36
3588439			Bushing	115 mm		CTC-1915644	102.23
MPZ1-UP; MZW1-UP; TFG1-UP							
4195749			P-UB-10	115 mm	170 mm	CTC-3751733	345.76
4195749			Bushing	115 mm		CTC-1915644	102.23
BUCKET							
ETC1-UP; MPZ1-UP; MZW1-UP; SPG1-UP; TFG1-UP; WHZ1-UP							
3588482			P-UB-10	110 mm	160 mm	CTC-3338750	236.68
3588482			Bushing	110 mm		CTC-1140762	107.24
3588503			P-UB-10	110 mm	170 mm	CTC-3338675	305.37
3588503			Bushing	110 mm		CTC-1140761	114.55
ETC1-UP; MPZ1-UP; MZW1-UP; TFG1-UP							
3675217			P-UB-10	110 mm	160 mm	CTC-3338750	236.68
3675217			Bushing	110 mm		CTC-1140762	107.24
ETC1-UP; MPZ1-UP; SPG1-UP; TFG1-UP; WHZ1-UP							
3579784			P-UB-10	110 mm	160 mm	CTC-3338750	236.68
3579784			Bushing	110 mm		CTC-1140762	107.24
MPZ1-UP; MZW1-UP; TFG1-UP							
2937678			P-UB-10	110 mm	160 mm	CTC-2254625	370.05
2937678			Bushing	110 mm		CTC-1140762	107.24
COUNTERWEIGHT							
MPZ1-UP							
2369769			P-UB-10	3	4-3/4	CTC-3193565	136.11
COUPLER							
MPZ1-UP; TFG1-UP							
1690753			P-U-5	40 mm	70 mm	CTC-2191322	47.37
STICK							
ETC1-UP; MPZ1-UP; MZW1-UP; SPG1-UP; TFG1-UP; WHZ1-UP							
3706692			P-UB-10	130 mm	190 mm	CTC-3799497	342.94
3706692			Bushing	130 mm		CTC-1140763	109.42
MPZ1-UP; SPG1-UP; TFG1-UP; WHZ1-UP							
3588461			P-UB-10	130 mm	190 mm	CTC-3319328	453.04
3588461			Bushing	130 mm		CTC-1140763	109.42
TRACK ADJUSTER							
ETC1-UP; MPZ1-UP; MZW1-UP; SPG1-UP; TFG1-UP; WHZ1-UP							
2979250			TRK ADJ			CTC-SK100117	118.97

CATERPILLAR®

REPLACEMENT KITS FOR CATERPILLAR® EQUIPMENT

Excavators							
APPLICATION	CYL #	Misc-Parts, Instructions, etc.	CODE	ROD	BORE	KIT #	List \$
MODEL 349E L VG							
BOOM							
DGE1-UP; FEJ1-UP; KCN1-UP; KFX1-UP							
3588439			P-UB-10	115 mm	170 mm	CTC-3198295	317.36
3588439			Bushing	115 mm		CTC-1915644	102.23
DGE1-UP; KCN1-UP; KFX1-UP							
4195749			P-UB-10	115 mm	170 mm	CTC-3751733	345.76
4195749			Bushing	115 mm		CTC-1915644	102.23
BUCKET							
DGE1-UP; FEJ1-UP; KCN1-UP							
3579784			P-UB-10	110 mm	160 mm	CTC-3338750	236.68
3579784			Bushing	110 mm		CTC-1140762	107.24
DGE1-UP; FEJ1-UP; KCN1-UP; KFX1-UP							
3588482			P-UB-10	110 mm	160 mm	CTC-3338750	236.68
3588482			Bushing	110 mm		CTC-1140762	107.24
3588503			P-UB-10	110 mm	170 mm	CTC-3338675	305.37
3588503			Bushing	110 mm		CTC-1140761	114.55
3675217			P-UB-10	110 mm	160 mm	CTC-3338750	236.68
3675217			Bushing	110 mm		CTC-1140762	107.24
DGE1-UP; KCN1-UP; KFX1-UP							
2937678			P-UB-10	110 mm	160 mm	CTC-2254625	370.05
2937678			Bushing	110 mm		CTC-1140762	107.24
COUNTERWEIGHT							
DGE1-UP							
2369769			P-UB-10	3	4-3/4	CTC-3193565	136.11
COUPLER							
DGE1-UP; KCN1-UP							
1690753			P-U-5	40 mm	70 mm	CTC-2191322	47.37
STICK							
DGE1-UP; FEJ1-UP; KCN1-UP; KFX1-UP							
3706692			P-UB-10	130 mm	190 mm	CTC-3799497	342.94
3706692			Bushing	130 mm		CTC-1140763	109.42
DGE1-UP; KCN1-UP; KFX1-UP							
3588461			P-UB-10	130 mm	190 mm	CTC-3319328	453.04
3588461			Bushing	130 mm		CTC-1140763	109.42
TRACK ADJUSTER							
DGE1-UP; FEJ1-UP; KCN1-UP; KFX1-UP							
2979250			TRK ADJ			CTC-SK100117	118.97
MODEL 349F L							
BOOM							
BZ21-UP; HPD1-UP							
4195749			P-UB-10	115 mm	170 mm	CTC-3751733	345.76
4195749			Bushing	115 mm		CTC-1915644	102.23
KEA1-UP							
3588439			P-UB-10	115 mm	170 mm	CTC-3198295	317.36
3588439			Bushing	115 mm		CTC-1915644	102.23
BUCKET							
BZ21-UP; HPD1-UP; KEA1-UP							
3579784			P-UB-10	110 mm	160 mm	CTC-3338750	236.68
3579784			Bushing	110 mm		CTC-1140762	107.24
3588503			P-UB-10	110 mm	170 mm	CTC-3338675	305.37
3588503			Bushing	110 mm		CTC-1140761	114.55
3675217			P-UB-10	110 mm	160 mm	CTC-3338750	236.68
3675217			Bushing	110 mm		CTC-1140762	107.24
COUNTERWEIGHT							
BZ21-UP; HPD1-UP; KEA1-UP							
2369769			P-UB-10	3	4-3/4	CTC-3193565	136.11

REPLACEMENT KITS FOR CATERPILLAR® EQUIPMENT

Excavators							
APPLICATION	CYL #	Misc-Parts, Instructions, etc.	CODE	ROD	BORE	KIT #	List \$
MODEL 349F L							
STICK							
BZ21-UP; HPD1-UP; KEA1-UP							
	3706692		P-UB-10	130 mm	190 mm	CTC-3799497	342.94
	3706692		Bushing	130 mm		CTC-1140763	109.42
TRACK ADJUSTER							
BZ21-UP; HPD1-UP; KEA1-UP							
	2979250		TRK ADJ			CTC-SK100117	118.97
MODEL 350							
BUCKET							
	1578989		P-UB-10	110 mm	160 mm	CTC-1560656	364.93
	411726		P-UB-10	110 mm	160 mm	CTC-1560656	364.93
	413792		P-UB-10	130 mm	180 mm	CTC-1560625	577.72
STICK							
	0875375		P-UB-10	130 mm	180 mm	CTC-1560625	577.72
	1560674		P-UB-10	130 mm	180 mm	CTC-1560625	577.72
MODEL 350, 350L							
BOOM							
	411515		P-UB-10	110 mm	170 mm	CTC-1163649	390.69
	411515		P-UB-10	110 mm	170 mm	CTC-1680759	549.61
BUCKET							
	411726		P-UB-10	110 mm	160 mm	CTC-0876654	437.78
	413792		P-UB-10	130 mm	180 mm	CTC-0875407	546.07
	7Y5100		P-UB-10	85 mm	130 mm	CTC-7Y5145	366.57
LIFT							
	6E3529		P-UB-10	2-1/2	4	CTC-7I0968	198.33
STICK							
	0875375		P-UB-10	130 mm	180 mm	CTC-0875407	546.07
MODEL 365, 365B							
BUCKET							
	1438004		P-UB-10	130 mm	180 mm	CTC-1709830	537.39
	1438007		P-UB-10	140 mm	200 mm	CTC-1709829	434.91
COUNTERWEIGHT							
	1505913		P-UB-10	90 mm	130 mm	CTC-1184175	404.99
STICK							
	1438001		P-UB-10	140 mm	200 mm	CTC-1709829	434.91
	1589114		P-UB-10	140 mm	200 mm	CTC-1709829	434.91
MODEL 365C L							
BOOM							
MCY1-UP							
	2042823		P-UB-10	130 mm	190 mm	CTC-2254646	441.14
	2332975		P-UB-10	140 mm	200 mm	CTC-2159995	520.20
BUCKET							
MCY1-UP							
	1438004		P-UB-10	130 mm	180 mm	CTC-4195876	252.90
	1438007		P-UB-10	140 mm	200 mm	CTC-3701940	527.33
	2201532		P-UB-10	100 mm	140 mm	CTC-2159985	168.04
COUNTERWEIGHT							
MCY1-UP							
	1505913		P-UB-10	90 mm	130 mm	CTC-2159986	171.53

CATERPILLAR®

REPLACEMENT KITS FOR CATERPILLAR® EQUIPMENT

Excavators							
APPLICATION	CYL #	Misc-Parts, Instructions, etc.	CODE	ROD	BORE	KIT #	List \$
MODEL 365C L							
STICK							
MCY1-UP							
1799794			P-UB-10	140 mm	200 mm	CTC-2159995	520.20
2590871			P-UB-10	150 mm	220 mm	CTC-2160000	921.36
3153375	Type 1, Piston 2159972, Head 1733366		P-UB-10	150 mm	220 mm	CTC-2160000	921.36
3153375	Type 2, Piston 4335664, Head 3653598		P-UB-10	150 mm	220 mm	CTC-3701866	592.41
3178432			P-UB-10	140 mm	200 mm	CTC-3701940	527.33
3264403			P-UB-10	140 mm	200 mm	CTC-2159995	520.20
TRACK ADJUSTER							
MCY1-439							
1686743			TRK ADJ			CTC-SK100109	130.02
MCY1-462							
1362430			TRK ADJ			CTC-SK100109	130.02
MCY1-UP							
2979153			TRK ADJ			CTC-SK100109	130.02
2979154			TRK ADJ			CTC-SK100109	130.02
UNDERCARRIAGE							
MCY1-UP							
1234121			P-UB-10	2	4	CTC-2409538	94.69
MODEL 365C L MH							
BOOM							
GWC1-UP							
2042823			P-UB-10	130 mm	190 mm	CTC-2254646	441.14
2042823			Bushing	130 mm		CTC-1140763	109.42
2332975			P-UB-10	140 mm	200 mm	CTC-2159995	520.20
2332975			Bushing	140 mm		CTC-1289261	137.28
STICK							
GWC1-UP							
2632504			P-UB-10	130 mm	190 mm	CTC-3319328	453.04
2632504			Bushing	130 mm		CTC-1140763	109.42
TRACK ADJUSTER							
GWC1-UP							
1362430			TRK ADJ			CTC-SK100109	130.02
2979153			TRK ADJ			CTC-SK100109	130.02
MODEL 374F L							
BOOM							
AP41-UP; AT21-UP; DNM1-UP; EBF1-UP; MFL1-UP; NFJ1-UP							
3807401			P-UB-10	130 mm	190 mm	CTC-5185140	552.18
3807401			Bushing	130 mm		CTC-1140763	109.42
EBF1-UP; MFL1-UP; NFJ1-UP; XWL1-UP							
5701992			P-UB-10	130 mm	190 mm	CTC-5185140	552.18
5701992			Bushing	130 mm		CTC-1140763	109.42
BUCKET							
AP41-UP; AT21-UP; DNM1-UP; EBF1-20160; MFL1-20073; NFJ1-20091							
4176665			P-UB-10	140 mm	200 mm	CTC-3701940	527.33
4176665			Bushing	140 mm		CTC-1289261	137.28
AP41-UP; AT21-UP; DNM1-UP; EBF1-UP; MFL10001-UP; NFJ1-UP; XWL1-UP							
3636260			P-UB-10	130 mm	190 mm	CTC-5185134	404.94
3636260			Bushing	130 mm		CTC-1140763	109.42
AP41-UP; AT21-UP; DNM1-UP; EBF1-UP; MFL1-UP; NFJ1-UP; XWL1-UP							
3622784			P-UB-10	130 mm	190 mm	CTC-5185134	404.94
3622784			Bushing	130 mm		CTC-1140763	109.42
AP41-UP; AT21-UP; DNM1-UP; EBF20161-UP; MFL20074-UP; NFJ20092-UP; XWL1-UP							
5701986			P-UB-10	140 mm	200 mm	CTC-3701940	527.33
5701986			Bushing	140 mm		CTC-1289261	137.28

REPLACEMENT KITS FOR CATERPILLAR® EQUIPMENT

Excavators							
APPLICATION	CYL #	Misc-Parts, Instructions, etc.	CODE	ROD	BORE	KIT #	List \$
MODEL 374F L							
BUCKET							
DNM10001-UP; EBF1-UP; MFL10001-UP; NfJ10001-UP; XWL1-UP							
4933132			P-UB-10	140 mm	200 mm	CTC-3701940	527.33
4933132			Bushing	140 mm		CTC-1289261	137.28
COUNTERWEIGHT							
AP41-UP; AT21-UP; DNM1-UP; EBF1-UP; MFL1-UP; NfJ1-UP; XWL1-UP							
1505913			P-UB-10	90 mm	130 mm	CTC-2159986	171.53
1505913			Bushing	90 mm		CTC-1140758	54.25
STICK							
AP41-UP; AT21-UP; DNM1-UP; EBF1-UP; MFL1-UP; NfJ1-UP; XWL1-UP							
3628488			P-UB-10	145 mm	210 mm	CTC-3701871	862.40
3628488			Bushing	140 mm		CTC-1559100	144.10
TRACK ADJUSTER							
AP41-UP; AT21-UP; DNM1-UP; EBF1-UP; MFL1-UP; NfJ1-UP; XWL1-UP							
2979153			TRK ADJ			CTC-SK100109	130.02
MODEL 375							
BOOM							
6E0018							
			P-UB-10	140 mm	200 mm	CTC-1560626	683.30
1JM1-172; 6NK1-; 6RL1-00048; 8WJ1-90; 8XG1-00216; 9WL1-							
6E0018			P-UB-10	140 mm	200 mm	CTC-2344666	476.32
1JM173-; 6RL00081-; 8WJ91-; 8XG00313-							
1140596			P-UB-10	140 mm	200 mm	CTC-1560626	683.30
6NK1-; 9WL1-							
1140596			P-UB-10	140 mm	200 mm	CTC-2003495	377.82
6RL00049-; 8XG00217-							
1140596			P-UB-10	140 mm	200 mm	CTC-2344666	476.32
BUCKET							
1578989							
			P-UB-10	110 mm	160 mm	CTC-1560656	364.93
411726							
			P-UB-10	110 mm	160 mm	CTC-1560656	364.93
1JM1-; 6LR00081-; 6NK1-; 6RL1-; 8WJ1-; 8XG00313-; 9WL1-							
6E0021			P-UB-10	140 mm	200 mm	CTC-1560626	683.30
1JM1-; 6LR81-; 6NK1-; 8WJ1-; 8XG00313-; 9WL1-							
1560694			P-UB-10	140 mm	200 mm	CTC-2003495	377.82
1JM1-; 6NK1-; 8WJ1-; 9WL1-							
6E0020			P-UB-10	150 mm	220 mm	CTC-1560627	800.19
1JM1-; 8WJ1-							
1560697			P-UB-10	150 mm	220 mm	CTC-1560627	800.19
6LR00081-; 8XG00313-							
1560697	TYPE 2		P-UB-10	150 mm	220 mm	CTC-2344667	958.21
6E0020	TYPE 1		P-UB-10	150 mm	220 mm	CTC-1560627	800.19
6NK1-; 9WL1-							
1560697			P-UB-10	150 mm	220 mm	CTC-2344667	958.21
6RL1-							
6E0020			P-UB-10	150 mm	220 mm	CTC-1163529	800.19
COUNTERWEIGHT							
1JM1-111; 6NK1-; 8WJ1-83; 9WL1-							
6E3529			P-UB-10	2-1/2	4	CTC-710968	198.33
LIFT							
6E3529			P-UB-10	2-1/2	4	CTC-710968	198.33
STICK							
1JM1-; 6NK1-; 6RL00081-; 8WJ1-; 8XG00313-; 9WL1-							
6E0019			P-UB-10	150 mm	220 mm	CTC-1560627	800.19
1JM1-; 6NK1-; 6RL81-; 8WJ1-; 8XG00313-; 9WL1-							
1560664			P-UB-10	150 mm	220 mm	CTC-1560627	800.19
6NK1-; 9WL1-							
1560679			P-UB-10	150 mm	220 mm	CTC-1560627	800.19

CATERPILLAR®

REPLACEMENT KITS FOR CATERPILLAR® EQUIPMENT

Excavators							
APPLICATION	CYL #	Misc-Parts, Instructions, etc.	CODE	ROD	BORE	KIT #	List \$
MODEL 375							
STICK							
6RL00106-; 8XG00350-							
	1560665		P-UB-10	150 mm	220 mm	CTC-2344667	958.21
6RL1-							
	6E0019		P-UB-10	150 mm	220 mm	CTC-1163529	800.19
TRACK ADJUSTER							
1JM1-; 6NK1-; 6RL1-; 8WJ1-; 8XG1-; 9WL1-							
	7Y0858		TRK ADJ			CTC-7Y0858K	71.42
6NK1-110; 8XG1-00159							
	7Y0859		TRK ADJ			CTC-7Y0859K	71.42
MODEL 375L							
BOOM							
	1140596		P-UB-10	140 mm	200 mm	CTC-2344666	476.32
	6E0018		P-UB-10	140 mm	200 mm	CTC-1560626	683.30
BUCKET							
	411726		P-UB-10	110 mm	160 mm	CTC-0876654	437.78
	6E0021		P-UB-10	140 mm	200 mm	CTC-2344666	476.32
LIFT							
	6E3529		P-UB-10	2-1/2	4	CTC-7I0968	198.33
STICK							
	6E0019		P-UB-10	150 mm	220 mm	CTC-5I8893	663.99
MODEL 385B							
BOOM							
ANS1-							
	2044916		P-UB-10	145 mm	210 mm	CTC-2417619	610.44
ANS1-; BKF1-; BLY1-; CLS1-; FDL1-; MYA1-							
	1559068		P-UB-10	145 mm	210 mm	CTC-2159999	480.43
FDL1-							
	2332973		P-UB-10	150 mm	220 mm	CTC-2160000	921.36
BUCKET							
ANS1-							
	2044920		P-UB-10	140 mm	200 mm	CTC-2159995	520.20
	2044922		P-UB-10	150 mm	220 mm	CTC-2522426	480.54
	2159965		P-UB-10	150 mm	220 mm	CTC-2160000	921.36
ANS1-; BKF1-; BLY1-; CLS1-; FDL1-; MYA1-							
	1559074		P-UB-10	140 mm	200 mm	CTC-2159995	520.20
BKF1-; BLY1-; CLS1-; FDL1-; MYA1-							
	1559077		P-UB-10	150 mm	220 mm	CTC-2160000	921.36
FDL1-							
	1183935		P-UB-10	110 mm	160 mm	CTC-2003572	320.85
	1772465		P-UB-10	105 mm	150 mm	CTC-1915619	222.49
	2201532		P-UB-10	100 mm	140 mm	CTC-2159985	168.04
	2478853		P-UB-10	105 mm	150 mm	CTC-1915619	222.49
MYA1-							
	1211518		P-UB-10	90 mm	160 mm	CTC-2526101	475.50
COUNTERWEIGHT							
ANS1-; BKF1-; BLY1-; CLS1-; FDL1-; MYA1-							
	1559197		P-UB-10	105 mm	150 mm	CTC-1884219	222.49
STICK							
ANS1-							
	2044918		P-UB-10	150 mm	220 mm	CTC-2089505	480.54
FDL1-							
	1799794		P-UB-10	140 mm	200 mm	CTC-2159995	520.20
	3178432		P-UB-10	140 mm	200 mm	CTC-2159995	520.20
	3264403		P-UB-10	140 mm	200 mm	CTC-2159995	520.20

REPLACEMENT KITS FOR CATERPILLAR® EQUIPMENT

Excavators							
APPLICATION	CYL #	Misc-Parts, Instructions, etc.	CODE	ROD	BORE	KIT #	List \$
MODEL 385B							
TRACK ADJUSTER							
ANS1-; BKF1-; BLY1-; CLS1-; FDL1-; MYA1-							
1686743			TRK ADJ			CTC-1686743K	130.02
CLS1-; FDL1-; MYA1-							
2979154			TRK ADJ			CTC-2979154K	130.02
UNDERCARRIAGE							
FDL1-							
1234121			P-UB-10	2	4	CTC-2409538	94.69
UNSPECIFIED APPLICATION							
ANS1-; BKF1-; BLY1-; CLS1-; FDL1-; MYA1-							
1559071			P-UB-10	150 mm	220 mm	CTC-2160000	921.36
CLS1-; FDL1-; MYA1-							
2590871			P-UB-10	150 mm	220 mm	CTC-2160000	921.36
MODEL 385B L							
BOOM							
BKF1-; BLY1-; CLS1-; FDL1-; RCD1-							
1559068			P-UB-10	145 mm	210 mm	CTC-2159999	480.43
FDL1-							
2332973			P-UB-10	150 mm	220 mm	CTC-2160000	921.36
BUCKET							
BKF1-; BLY1-; CLS1-; FDL1-; RCD1-							
1559074			P-UB-10	140 mm	200 mm	CTC-2159995	520.20
1559077			P-UB-10	150 mm	220 mm	CTC-2160000	921.36
FDL1-							
1183935			P-UB-10	110 mm	160 mm	CTC-2003572	320.85
1772465			P-UB-10	105 mm	150 mm	CTC-1915619	222.49
2201532			P-UB-10	100 mm	140 mm	CTC-2159985	168.04
2478853			P-UB-10	105 mm	150 mm	CTC-1915619	222.49
RCD1-							
2096037			P-UB-10	140 mm	200 mm	CTC-2159995	520.20
2159965			P-UB-10	150 mm	220 mm	CTC-2160000	921.36
COUNTERWEIGHT							
BKF1-; BLY1-; CLS1-; FDL1-; RCD1-							
1559197			P-UB-10	105 mm	150 mm	CTC-1915619	222.49
STICK							
FDL1-							
1799794			P-UB-10	140 mm	200 mm	CTC-2159995	520.20
3178432			P-UB-10	140 mm	200 mm	CTC-2159995	520.20
3264403			P-UB-10	140 mm	200 mm	CTC-2159995	520.20
TRACK ADJUSTER							
BKF1-; BLY1-; CLS1-; FDL1-; RCD152-							
1686743			TRK ADJ			CTC-1686743K	130.02
CLS1-; FDL1-; RCD1-							
2979154			TRK ADJ			CTC-2979154K	130.02
UNDERCARRIAGE							
FDL1-							
1234121			P-UB-10	2	4	CTC-2409538	94.69
UNSPECIFIED APPLICATION							
BKF1-; BLY1-; CLS1-; FDL1-; RCD1-							
1559071			P-UB-10	150 mm	220 mm	CTC-2160000	921.36
CLS1-; FDL1-; RCD1-							
2590871			P-UB-10	150 mm	220 mm	CTC-2160000	921.36
MODEL 385C							
BOOM							
KBC1-; KGB1-; KKK1-; MNZ1-; MSF1-							
1559068			P-UB-10	145 mm	210 mm	CTC-2159999	480.43

REPLACEMENT KITS FOR CATERPILLAR® EQUIPMENT

Excavators							
APPLICATION	CYL #	Misc-Parts, Instructions, etc.	CODE	ROD	BORE	KIT #	List \$
MODEL 385C							
BOOM							
KGB1-; WAW1-							
	2332973		P-UB-10	150 mm	220 mm	CTC-2160000	921.36
KGB352-							
	3539616		P-UB-10	145 mm	210 mm	CTC-2159999	480.43
BUCKET							
KBC1-; KGB1-; KKK1-; MNZ1-							
	1559074		P-UB-10	140 mm	200 mm	CTC-2159995	520.20
	1559077		P-UB-10	150 mm	220 mm	CTC-2160000	921.36
	2096037		P-UB-10	140 mm	200 mm	CTC-2159995	520.20
	2159965		P-UB-10	150 mm	220 mm	CTC-2160000	921.36
KGB1-							
	2201532		P-UB-10	100 mm	140 mm	CTC-2159985	168.04
	2254581		P-UB-10	105 mm	150 mm	CTC-1915619	222.49
	2478853		P-UB-10	105 mm	150 mm	CTC-1915619	222.49
	2898012		P-UB-10	105 mm	150 mm	CTC-1915619	222.49
	3154442		P-UB-10	105 mm	150 mm	CTC-1915619	222.49
KGB1-; MSF1-							
	3154451		P-UB-10	105 mm	150 mm	CTC-3764331	215.87
COUNTERWEIGHT							
KBC1-; KGB1-; KKK1-; MNZ1-; MSF1-							
	1559197		P-UB-10	105 mm	150 mm	CTC-1915619	222.49
STICK							
KGB1-							
	1799794		P-UB-10	140 mm	200 mm	CTC-2159995	520.20
	3178432		P-UB-10	140 mm	200 mm	CTC-2159995	520.20
	3264403		P-UB-10	140 mm	200 mm	CTC-2159995	520.20
KGB1-; KKK1-							
	2898031		P-UB-10	115 mm	170 mm	CTC-3198295	317.36
KGB1-; KKK1-; MNZ1-; MSF1-							
	3153375	TYPE 1	P-UB-10	150 mm	220 mm	CTC-2160000	921.36
	3153375	TYPE 2	P-UB-10	150 mm	220 mm	CTC-3701866	592.41
WAW1-							
	2632504		P-UB-10	130 mm	190 mm	CTC-3319328	453.04
STICK LH							
KGB1-; KKK1-							
	2344601		P-UB-10	115 mm	170 mm	CTC-2316844	435.81
	2836188		P-UB-10	115 mm	170 mm	CTC-3198295	317.36
STICK RH							
KGB1-; KKK1-							
	2876811		P-UB-10	115 mm	170 mm	CTC-2316844	435.81
	3071481		P-UB-10	115 mm	170 mm	CTC-3198295	317.36
TRACK ADJUSTER							
KBC1-; KGB1-; KKK208-; MNZ163-; MSF1-; WAW221-							
	2979154		TRK ADJ			CTC-2979154K	130.02
KBC1-; KGB1-407; KKK1-207; MNZ1-162; WAW1-220							
	1686743		TRK ADJ			CTC-1686743K	130.02
UNDERCARRIAGE							
KGB1-							
	1234121		P-UB-10	2	4	CTC-2409538	94.69
UNSPECIFIED APPLICATION							
KBC1-; KGB1-; KKK1-; MNZ1-							
	1559071		P-UB-10	150 mm	220 mm	CTC-2160000	921.36
	2590871		P-UB-10	150 mm	220 mm	CTC-2160000	921.36

REPLACEMENT KITS FOR CATERPILLAR® EQUIPMENT

Excavators							
APPLICATION	CYL #	Misc-Parts, Instructions, etc.	CODE	ROD	BORE	KIT #	List \$
MODEL 385C FS							
BOOM							
EAM1-; GLT1-; MMA1-; T2F1-							
	1850165		P-UB-10	130 mm	180 mm	CTC-2159996	392.32
BUCKET							
EAM1-; GLT1-; MMA1-; T2F1-							
	1057485		P-UB-10	5-3/4	7	CTC-1211605	449.49
	1211518		P-UB-10	90 mm	160 mm	CTC-2526101	475.50
EAM1-; MMA1-; T2F1-							
	3743206		P-UB-10	5-3/4	7	CTC-1211605	449.49
COUNTERWEIGHT							
GLT1-							
	1559197		P-UB-10	105 mm	150 mm	CTC-1915619	222.49
MASTER CYLINDER							
EAM1-; GLT1-; MMA1-; T2F1-							
	415693		P-UB-10	5	6	CTC-1211597	332.34
EAM1-; MMA1-; T2F1-							
	3744298		P-UB-10	5	6	CTC-1211597	332.34
STICK							
EAM1-; GLT1-; MMA1-; T2F1-							
	2092917		P-UB-10	150 mm	220 mm	CTC-2160000	921.36
TRACK ADJUSTER							
EAM1-289; GLT1-; MMA1-265; T2F1-							
	1686743		TRK ADJ			CTC-1686743K	130.02
EAM290-; GLT1-; MMA226-; T2F1-							
	2979154		TRK ADJ			CTC-2979154K	130.02
MODEL 385C L							
BOOM							
EDA1-; JCM1-; KGB1-; KKK1-; SBE1-; T2E1-							
	1559068		P-UB-10	145 mm	210 mm	CTC-2159999	480.43
KGB1-; M3W1-; T2E1-							
	2332973		P-UB-10	150 mm	220 mm	CTC-2160000	921.36
KGB352-							
	3539616		P-UB-10	145 mm	210 mm	CTC-2159999	480.43
BUCKET							
EDA1-; JCM1-; KGB1-; KKK1-; SBE1-; T2E1-							
	1559074		P-UB-10	140 mm	200 mm	CTC-2159995	520.20
	1559077		P-UB-10	150 mm	220 mm	CTC-2160000	921.36
	2096037		P-UB-10	140 mm	200 mm	CTC-2159995	520.20
	2159965		P-UB-10	150 mm	220 mm	CTC-2160000	921.36
JCM1-; SBE1-							
	1438004		P-UB-10	130 mm	180 mm	CTC-2159996	392.32
	1438007		P-UB-10	140 mm	200 mm	CTC-2159995	520.20
KGB1-; SBE1-							
	2254581		P-UB-10	105 mm	150 mm	CTC-1915619	222.49
	2898012		P-UB-10	105 mm	150 mm	CTC-1915619	222.49
	3154442		P-UB-10	105 mm	150 mm	CTC-1915619	222.49
	3154451		P-UB-10	105 mm	150 mm	CTC-3764331	215.87
KGB1-; T2E1-							
	2201532		P-UB-10	100 mm	140 mm	CTC-2159985	168.04
	2478853		P-UB-10	105 mm	150 mm	CTC-1915619	222.49
T2E1-							
	3998583		P-UB-10	105 mm	150 mm	CTC-1915619	222.49
COUNTERWEIGHT							
EDA1-; JCM1-; KGB1-; KKK1-; SBE1-; T2E1-							
	1559197		P-UB-10	105 mm	150 mm	CTC-1915619	222.49

REPLACEMENT KITS FOR CATERPILLAR® EQUIPMENT

Excavators							
APPLICATION	CYL #	Misc-Parts, Instructions, etc.	CODE	ROD	BORE	KIT #	List \$
MODEL 385C L							
STICK							
EDA1-; JCM1-; KGB1-; KKK1-; SBE1-; T2E1-							
3153375	TYPE 1		P-UB-10	150 mm	220 mm	CTC-2160000	921.36
3153375	TYPE 2		P-UB-10	150 mm	220 mm	CTC-3701866	592.41
KGB1-							
3264403			P-UB-10	140 mm	200 mm	CTC-2159995	520.20
KGB1-; T2E1-							
1799794			P-UB-10	140 mm	200 mm	CTC-2159995	520.20
3178432			P-UB-10	140 mm	200 mm	CTC-2159995	520.20
KGB1-; KKK1-							
2898031			P-UB-10	115 mm	170 mm	CTC-3198295	317.36
STICK LH							
KGB1-; KKK1-							
2344601			P-UB-10	115 mm	170 mm	CTC-2316844	435.81
2836188			P-UB-10	115 mm	170 mm	CTC-3198295	317.36
STICK RH							
KGB1-; KKK1-							
2876811			P-UB-10	115 mm	170 mm	CTC-2316844	435.81
3071481			P-UB-10	115 mm	170 mm	CTC-3198295	317.36
TRACK ADJUSTER							
EDA1-; JCM184-; KGB1-; KKK208-; M3W1-; SBE297-; T2E1-							
2979154			TRK ADJ			CTC-2979154K	130.02
EDA1-462; JCM1-183; KGB1-407; KKK1-207; SBE1-296; T2E1-							
1686743			TRK ADJ			CTC-1686743K	130.02
UNDERCARRIAGE							
KGB1-; T2E1-							
1234121			P-UB-10	2	4	CTC-2409538	94.69
UNSPECIFIED APPLICATION							
EDA1-; JCM1-; KGB1-; KKK1-; SBE1-; T2E1-							
1559071			P-UB-10	150 mm	220 mm	CTC-2160000	921.36
2590871			P-UB-10	150 mm	220 mm	CTC-2160000	921.36
MODEL 5110B							
BOOM							
AAA1-UP; AAK1-UP; AAT1-UP							
1671847			P-UB-10	6-1/2	9-1/4	CTC-SK100017	1246.05
BUCKET							
AAA1-UP							
1681838			P-UB-10	7	10	CTC-SK100018	1173.68
AAA344-UP							
2287940			P-UB-10	7	10	CTC-SK100018	1173.68
2469100			P-UB-10	7	10	CTC-SK100018	1173.68
STICK							
AAA1-UP							
2469045			P-UB-10	7	10	CTC-SK100018	1173.68
AAA344-348							
1681843			P-UB-10	7	10	CTC-SK100018	1173.68
AAA349-UP							
2163337			P-UB-10	7	10	CTC-SK100018	1173.68
AAK1-UP							
2057707			P-UB-10	7	10	CTC-SK100018	1173.68
2469049			P-UB-10	7	10	CTC-SK100018	1173.68
AAT1-UP							
2226406			P-UB-10	150 mm	220 mm	CTC-SK100019	664.64
TRACK ADJUSTER							
AAA1-UP; AAK1-UP; AAT1-UP							
1271474			TRK ADJ			CTC-SK100016	253.39

REPLACEMENT KITS FOR CATERPILLAR® EQUIPMENT

Excavators							
APPLICATION	CYL #	Misc-Parts, Instructions, etc.	CODE	ROD	BORE	KIT #	List \$
MODEL 5110B							
WORK TOOL							
AAK1-UP							
	2057222		P-UB-10	6-1/2	9-1/4	CTC-SK100017	1246.05
MODEL 5130							
BOOM							
5ZL1-39							
	1064338	Front Shovel	P-UB-10	7	11	CTC-2463446	728.37
5ZL1-UP							
	1076228	TYPE 1,2	P-UB-10	7-1/2	11	CTC-2395021	753.65
5ZL40-UP							
	1207610	Front Shovel	P-UB-10	7	11	CTC-2463446	728.37
BUCKET							
5ZL1-39							
	1064340	Front Shovel	P-UB-10	6	7-1/2	CTC-2463443	619.23
5ZL1-UP							
	1079625	TYPE 1	P-UB-10	6-1/2	8-1/2	CTC-2481190	708.21
	1079625	TYPE 2	P-UB-10	6-1/2	8-1/2	CTC-2481192	783.55
	1141169	TYPE 1	P-UB-10	6-1/2	8-1/2	CTC-2481190	708.21
	1141169	TYPE 2	P-UB-10	6-1/2	8-1/2	CTC-2481192	783.55
	6E5752	Front Shovel	P-UB-10	3	6	CTC-2442053	443.43
BUCKET LH							
5ZL44-UP							
	1224967	Front Shovel; 1 2.49in wear ring	P-UB-10	6	7-1/2	CTC-2463443	619.23
	1224967	Front Shovel; 2 1.49in wear rings	P-UB-10	6	7-1/2	CTC-2463445	818.16
BUCKET RH							
5ZL1-UP							
	1122053	Front Shovel; 1 2.49in wear ring	P-UB-10	6	7-1/2	CTC-2463443	619.23
	1122053	Front Shovel; 2 1.49in wear rings	P-UB-10	6	7-1/2	CTC-2463445	818.16
STICK							
5ZL1-39							
	1064339	Front Shovel; 2.49in wide wear ring	P-UB-10	6	7-1/2	CTC-2463443	619.23
	1064339	Front Shovel; 1.49in wide wear ring	P-UB-10	6	7-1/2	CTC-2463445	818.16
5ZL1-UP							
	1036035	TYPE 2,3; 2 1.49in piston wear rings	P-UB-10	7-1/4	10	CTC-2481194	719.35
	1036035	TYPE 1; 1 3.24in piston wear ring	P-UB-10	7-1/4	10	CTC-SK100066	585.08
	1122049	Front Shovel; 1 2.49in wear ring	P-UB-10	6	7-1/2	CTC-2463443	619.23
	1122049	Front Shovel; 2 1.49in wear rings	P-UB-10	6	7-1/2	CTC-2463445	818.16
TRACK ADJUSTER							
5ZL1-70							
	6E5821		TRK ADJ	6		CTC-SK100084	190.79
5ZL71-UP							
	1271474		TRK ADJ			CTC-SK100016	253.39
MODEL 5130B							
BOOM							
4CS1-UP							
	1076228		P-UB-10	7-1/2	11	CTC-2395021	753.65
	1207610	Front Shovel	P-UB-10	7	11	CTC-2463446	728.37
BUCKET							
4CS1-UP							
	6E5752	Front Shovel	P-UB-10	3	6	CTC-2442053	443.43
BUCKET LH							
4CS1-153							
	1365044		P-UB-10	6-1/2	220 mm	CTC-SK100081	847.57
4CS154-UP							
	1491064		P-UB-10	7	220 mm	CTC-SK100089	616.53

CATERPILLAR®

REPLACEMENT KITS FOR CATERPILLAR® EQUIPMENT

Excavators							
APPLICATION	CYL #	Misc-Parts, Instructions, etc.	CODE	ROD	BORE	KIT #	List \$
MODEL 5130B							
BUCKET LH							
4CS173-UP							
1491064			P-UB-10	7	220 mm	CTC-SK100090	593.62
4CS1-UP							
1224967	Front Shovel; 1 2.49in wear ring		P-UB-10	6	7-1/2	CTC-2463443	619.23
1224967	Front Shovel; 2 1.49in wear rings		P-UB-10	6	7-1/2	CTC-2463445	818.16
BUCKET RH							
4CS1-153							
1365043			P-UB-10	6-1/2	220 mm	CTC-SK100081	847.57
4CS154-UP							
1491063			P-UB-10	7	220 mm	CTC-SK100089	616.53
4CS173-UP							
1491063			P-UB-10	7	220 mm	CTC-SK100090	593.62
4CS1-UP							
1122053	Front Shovel; 1 2.49in wear ring		P-UB-10	6	7-1/2	CTC-2463443	619.23
1122053	Front Shovel; 2 1.49in wear rings		P-UB-10	6	7-1/2	CTC-2463445	818.16
STICK							
4CS1-196							
1036035			P-UB-10	7-1/4	10	CTC-2481194	719.35
4CS197-UP							
2133531	TYPE 1,2		P-UB-10	7-1/4	10	CTC-2481194	719.35
4CS1-UP							
1122049	Front Shovel; 1 2.49in wear ring		P-UB-10	6	7-1/2	CTC-2463443	619.23
1122049	Front Shovel; 2 1.49in wear rings		P-UB-10	6	7-1/2	CTC-2463445	818.16
TRACK ADJUSTER							
4CS1-UP							
1271474			TRK ADJ			CTC-SK100016	253.39
Excavators - Compact							
APPLICATION	CYL #	Misc-Parts, Instructions, etc.	CODE	ROD	BORE	KIT #	List \$
MODEL 301.7D CR							
BLADE							
LJ81-782; LJD1-1593							
3951267			P-UB-10	35 mm	65 mm	CTC-3951270	87.08
LJ81-UP; LJD1-UP							
5697876			I-U-10	40 mm	70 mm	CTC-5708323	191.65
BOOM							
LJ81-1447; LJD1-2912							
4385867			P-U-10	35 mm	65 mm	CTC-3792735	51.76
LJ81448-UP; LJD2913-UP							
5809596			I-U-10	35 mm	65 mm	CTC-5792831	350.22
5809596			Bushing	35 mm		CTC-5767333	9.90
LJ81-UP; LJD1-UP							
5749285			I-U-10	30 mm	60 mm	CTC-5749252	350.16
BOOM OFFSET							
LJ81-UP; LJK1-1549							
5046725			P-U-10	30 mm	60 mm	CTC-3792737	61.56
BUCKET							
LJ81-733; LJD1-1261							
3792868			P-U-10	30 mm	55 mm	CTC-3735748	66.21
LJ8734-1450; LJD1262-2913							
5199252			P-U-10	30 mm	55 mm	CTC-5199260	330.77
LJ8734-UP; LJD1262-UP							
5809586			I-U-10	30 mm	55 mm	CTC-5764154	115.57
5809586			Bushing	30 mm		CTC-5764153	8.93

REPLACEMENT KITS FOR CATERPILLAR® EQUIPMENT

Excavators - Compact							
APPLICATION	CYL #	Misc-Parts, Instructions, etc.	CODE	ROD	BORE	KIT #	List \$
MODEL 301.7D CR							
DIPPER							
LJ81-1450; LJD1-2913							
	5727051		P-U-10	30 mm	55 mm	CTC-3735748	66.21
STICK							
LJ81-1450; LJD1-2913							
	4385854		P-U-10	30 mm	55 mm	CTC-3735748	66.21
LJ81451-UP; LJD2914-UP							
	5809592		I-U-10	30 mm	55 mm	CTC-5764154	115.57
	5809592		Bushing	30 mm		CTC-5764153	8.93
SWING							
LJ81451-UP; LJD2914-UP							
	5809588		I-U-10	30 mm	60 mm	CTC-5792777	287.48
SWING BOOM							
LJ81-UP; LJD1-1549							
	4397245		P-U-10	30 mm	60 mm	CTC-3792737	61.56
TELESCOPING							
LJ81392-UP; LJD2726-UP							
	5809598		I-U-10	30 mm	50 mm	CTC-5764815	128.96
	5809598		Bushing	30 mm		CTC-5764153	8.93
TILT							
LJ81-UP; LJD1-UP							
	2443074		P-U-10	30 mm	60 mm	CTC-1608546	70.53
UNDERCARRIAGE							
LJ81-1391; LJD1-UP							
	5718026		P-U-10	30 mm	50 mm	CTC-3951275	95.87
MODEL 302.7D							
BLADE							
LJ71-UP; LJL1-UP							
	5725855		I-UB-14	50 mm	90 mm	CTC-3842381	210.84
LJL1-UP							
	3841112		I-UB-14	50 mm	90 mm	CTC-3842381	210.84
BOOM							
LJ71-UP; LJL1-UP							
	3841130		I-UB-10	40 mm	70 mm	CTC-3842448	212.13
BOOM SWING							
LJ71-UP; LJL1-UP							
	5248765		I-UB-10	40 mm	70 mm	CTC-3842454	185.88
BUCKET							
LJ71-UP; LJL1-UP							
	4674023		I-UB-10	36 mm	65 mm	CTC-3860714	130.19
	4674025		I-UB-10	40 mm	65 mm	CTC-4671783	254.80
STICK							
LJ71-UP; LJL1-UP							
	3841131		I-UB-10	45 mm	70 mm	CTC-3842452	204.10
THUMB							
LJ71-UP; LJL1-UP							
	2688223		P-U-10	1-1/2	2-1/2	CTC-2782253	107.23
	2688223		Bushing	1-1/2		CTC-2782248	17.55
TILT							
LJL1-UP							
	2443074		P-U-10	30 mm	60 mm	CTC-1608546	70.53
MODEL 303.5E CR							
BLADE							
RSE1-UP							
	2666979		P-U-10	45 mm	80 mm	CTC-2788641	100.77

REPLACEMENT KITS FOR CATERPILLAR® EQUIPMENT

Excavators - Compact							
APPLICATION	CYL #	Misc-Parts, Instructions, etc.	CODE	ROD	BORE	KIT #	List \$
MODEL 303.5E CR							
BLADE							
	SFH1-UP						
	2666979		P-U-10	45 mm	80 mm	CTC-2788641	100.77
BLADE ANGLE							
	RKY1-UP						
	2866384		P-U-10	35 mm	65 mm	CTC-2839122	58.75
BLADE LIFT							
	RKY1-UP						
	2666979		P-U-10	45 mm	80 mm	CTC-2788641	100.77
BOOM							
	RKY1-UP						
	2840420		P-U-10	45 mm	80 mm	CTC-2788641	100.77
	RSE1-UP						
	2737034		P-U-10	45 mm	80 mm	CTC-2788641	100.77
	SFH1-UP						
	2840420		P-U-10	45 mm	80 mm	CTC-2788641	100.77
BUCKET							
	RKY1-UP						
	3760170		P-U-10	40 mm	70 mm	CTC-2519845	96.61
	RSE1-UP						
	3760170		P-U-10	40 mm	70 mm	CTC-2519845	96.61
	SFH1-UP						
	3760170		P-U-10	40 mm	70 mm	CTC-2519845	96.61
QUICK COUPLER							
	RKY1-UP						
	3611125		I-U-11	3/4	1 1/4	CTC-3611078	197.82
STICK							
	RKY1-UP						
	2840863		P-U-10	45 mm	80 mm	CTC-2797940	107.54
	RSE1-UP						
	2737035		P-U-10	45 mm	80 mm	CTC-2797940	107.54
	SFH1-UP						
	2840863		P-U-10	45 mm	80 mm	CTC-2797940	107.54
SWING BOOM							
	RKY1-UP						
	3760171		P-U-10	50 mm	85 mm	CTC-2790639	118.56
	RSE1-UP						
	3760171		P-U-10	50 mm	85 mm	CTC-2790639	118.56
	SFH1-UP						
	3760171		P-U-10	50 mm	85 mm	CTC-2790639	118.56
THUMB							
	RKY1-UP						
	2688224		P-U-10	1 1/2	2 1/2	CTC-2782257	64.23
TILT							
	RKY1-UP						
	2460192		P-UB-10	1-1/2	3	CTC-2350354	47.14
MODEL 303.5E2							
ANGLE BLADE							
	JWY1-UP						
	3976961		P-U-10	35 mm	65 mm	CTC-4690723	160.67
BLADE							
	JWY1-UP						
	3976963		P-U-10	45 mm	80 mm	CTC-4690717	201.49
	4874410		P-U-10	40 mm	80 mm	CTC-5078289	186.70

REPLACEMENT KITS FOR CATERPILLAR® EQUIPMENT

Excavators - Compact							
APPLICATION	CYL #	Misc-Parts, Instructions, etc.	CODE	ROD	BORE	KIT #	List \$
MODEL 303.5E2							
BOOM							
JWY1-UP							
	3976967		P-U-10	45 mm	80 mm	CTC-4690676	216.68
	3976971		P-U-10	45 mm	80 mm	CTC-4690676	216.68
BUCKET							
JWY1-UP							
	3976978		P-U-10	40 mm	70 mm	CTC-4690689	160.92
QUICK COUPLER							
JWY1-UP							
	3611125		I-U-11	3/4	1 1/4	CTC-3611078	197.82
	4855287		Valve Kit			CTC-4999314	71.30
	5674570		I-U-10	3/4	1-1/4	CTC-4855282	239.35
STICK							
JWY1-UP							
	3976983		P-U-10	45 mm	80 mm	CTC-4690682	213.25
SWING BOOM							
JWY1-UP							
	3976975		P-U-10	50 mm	85 mm	CTC-4690729	231.29
THUMB							
JWY1-UP							
	2688224		P-U-10	1 1/2	2 1/2	CTC-2782257	64.23
	2688224		Bushing	1-1/2		CTC-2782248	17.55
TRACK ADJUSTER							
JWY1-461							
	4220865		TRK ADJ			CTC-SK100206	10.75
	4220866		TRK ADJ			CTC-SK100206	10.75
JWY462-UP							
	4691395		TRK ADJ			CTC-SK100206	10.75
	4691396		TRK ADJ			CTC-SK100206	10.75
MODEL 303.5E2 CR							
ANGLE BLADE							
BG81-UP							
	3976961		P-U-10	35 mm	65 mm	CTC-4690723	160.67
BLADE							
AC51-UP; CR61-UP; CR91-UP; DWD1-UP							
	2666979		P-U-10	45 mm	80 mm	CTC-2788641	100.77
	2666979		Bushing	45 mm		CTC-2378377	21.38
BG81-UP							
	3976963		P-U-10	45 mm	80 mm	CTC-4690717	201.49
BOOM							
AC51-UP; DWD1-UP							
	2737034		P-U-10	45 mm	80 mm	CTC-2788641	100.77
	2737034		Bushing	45 mm		CTC-3147387	21.38
BG81-UP							
	3976967		P-U-10	45 mm	80 mm	CTC-4690676	216.68
	3976971		P-U-10	45 mm	80 mm	CTC-4690676	216.68
BUCKET							
AC51-UP; CR61-UP; CR91-UP; DWD1-UP							
	3760170		P-U-10	40 mm	70 mm	CTC-2519845	96.61
	3760170		Bushing	40 mm		CTC-3108780	11.58
BG81-UP							
	3976978		P-U-10	40 mm	70 mm	CTC-4690689	160.92
QUICK COUPLER							
BG81-UP; CR61-UP							
	3611125		I-U-11	3/4	1 1/4	CTC-3611078	197.82
	5674570		I-U-10	3/4	1-1/4	CTC-4855282	239.35

CATERPILLAR®

REPLACEMENT KITS FOR CATERPILLAR® EQUIPMENT

Excavators - Compact							
APPLICATION	CYL #	Misc-Parts, Instructions, etc.	CODE	ROD	BORE	KIT #	List \$
MODEL 303.5E2 CR							
QUICK COUPLER							
CR61-UP; DWD1-UP							
4855287		Valve Kit				CTC-4999314	71.30
STICK							
AC51-UP; DWD1-UP							
2737035		P-U-10	45 mm	80 mm		CTC-2797940	107.54
2737035		Bushing	45 mm			CTC-2378377	21.38
BG81-UP							
3976983		P-U-10	45 mm	80 mm		CTC-4690682	213.25
CR61-UP; CR91-UP							
2840863		P-U-10	45 mm	80 mm		CTC-2797940	107.54
2840863		Bushing	45 mm			CTC-2378377	21.38
SWING BOOM							
AC51-UP; CR61-UP; CR91-UP							
3760171		P-U-10	50 mm	85 mm		CTC-2790639	118.56
3760171		Bushing	50 mm			CTC-3111031	21.65
BG81-UP							
3976975		P-U-10	50 mm	85 mm		CTC-4690729	231.29
THUMB							
BG81-UP							
2688224		P-U-10	1 1/2	2 1/2		CTC-2782257	64.23
2688224		Bushing	1-1/2			CTC-2782248	17.55
TILT							
BG81-UP							
2460192		P-UB-10	1-1/2	3		CTC-2350354	47.14
TRACK ADJUSTER							
AC51-UP; CR61-UP; CR91-UP; DWD1-UP							
3927373		TRK ADJ				CTC-SK100205	9.72
3927374		TRK ADJ				CTC-SK100205	9.72
BG81-UP							
4220865		TRK ADJ				CTC-SK100206	10.75
4220866		TRK ADJ				CTC-SK100206	10.75
4691395		TRK ADJ				CTC-SK100206	10.75
4691396		TRK ADJ				CTC-SK100206	10.75
MODEL 304E							
BLADE							
SSC1-UP; TSR1-UP; TTN1-UP							
2666979		P-U-10	45 mm	80 mm		CTC-2788641	100.77
2666979		Bushing	45 mm			CTC-2378377	21.38
TTN1-UP							
2866384		P-U-10	35 mm	65 mm		CTC-2839122	58.75
2866384		Bushing	35 mm			CTC-2032343	11.32
BOOM							
SSC1-UP; TTN1-UP							
2843369		P-U-10	50 mm	85 mm		CTC-2812321	104.10
2843369		Bushing	50 mm			CTC-3111031	21.65
TSR1-UP							
2737031		P-U-10	50 mm	85 mm		CTC-2812321	104.10
2737031		Bushing	50 mm			CTC-3111031	21.65
BUCKET							
SSC1-UP; TTN1-UP							
2779900		P-U-10	45 mm	75 mm		CTC-2812322	95.84
2779900		Bushing	45 mm			CTC-2378377	21.38
TSR1-UP							
2779901		P-U-10	45 mm	75 mm		CTC-2812322	95.84
2779901		Bushing	45 mm			CTC-2378377	21.38

REPLACEMENT KITS FOR CATERPILLAR® EQUIPMENT

Excavators - Compact							
APPLICATION	CYL #	Misc-Parts, Instructions, etc.	CODE	ROD	BORE	KIT #	List \$
MODEL 304E							
QUICK COUPLER							
TTN1-UP							
	3611125		I-U-11	3/4	1 1/4	CTC-3611078	197.82
	5674570		I-U-10	3/4	1-1/4	CTC-4855282	239.35
STICK							
SSC1-UP; TTN1-UP							
	2840883		P-U-10	50 mm	80 mm	CTC-2812323	103.73
	2840883		Bushing	50 mm		CTC-3111031	21.65
TSR1-UP							
	2737032		P-U-10	50 mm	80 mm	CTC-2812323	103.73
	2737032		Bushing	50 mm		CTC-3111031	21.65
SWING BOOM							
SSC1-UP, TSR1-UP, TTN1-UP							
	3760171		P-U-10	50 mm	85 mm	CTC-2790639	118.56
	3760171		Bushing	50 mm		CTC-3111031	21.65
THUMB							
TTN1-UP							
	2688224		P-U-10	1 1/2	2 1/2	CTC-2782257	64.23
	2688224		Bushing	1-1/2		CTC-2782248	17.55
TILT							
TTN1-UP							
	2460192		P-UB-10	1-1/2	3	CTC-2350354	47.14
TRACK ADJUSTER							
SSC1-UP, TSR1-UP, TTN324-UP							
	3927373		TRK ADJ			CTC-SK100205	9.72
	3927374		TRK ADJ			CTC-SK100205	9.72
TTN1-323							
	2674827		TRK ADJ			CTC-SK100205	9.72
	2674828		TRK ADJ			CTC-SK100205	9.72
MODEL 304E2							
BLADE							
ME41-2921							
	3976963		P-U-10	45 mm	80 mm	CTC-4690717	201.49
ME41-UP							
	3976961		P-U-10	35 mm	65 mm	CTC-4690723	160.67
ME42910-UP							
	4874410		P-U-10	40 mm	80 mm	CTC-5078289	186.70
BOOM							
ME41-1254							
	3976972		P-U-10	50 mm	85 mm	CTC-4690697	246.88
ME41255-UP							
	4787046		P-U-10	50 mm	85 mm	CTC-4828678	131.99
ME41-UP							
	4787045		P-U-10	50 mm	85 mm	CTC-4787051	229.80
BUCKET							
ME41-UP							
	3976979		P-U-10	45 mm	75 mm	CTC-4690711	224.92
QUICK COUPLER							
ME41-UP							
	3611125		I-U-11	3/4	1 1/4	CTC-3611078	197.82
	4855287		Valve Kit			CTC-4999314	71.30
	5674570		I-U-10	3/4	1-1/4	CTC-4855282	239.35
STICK							
ME41-UP							
	3976984		P-U-10	50 mm	80 mm	CTC-4690704	220.56

REPLACEMENT KITS FOR CATERPILLAR® EQUIPMENT

Excavators - Compact							
APPLICATION	CYL #	Misc-Parts, Instructions, etc.	CODE	ROD	BORE	KIT #	List \$
MODEL 304E2							
SWING BOOM							
ME41-UP							
	3976975		P-U-10	50 mm	85 mm	CTC-4690729	231.29
THUMB							
ME41-UP							
	2688224		P-U-10	1 1/2	2 1/2	CTC-2782257	64.23
	2688224		Bushing	1-1/2		CTC-2782248	17.55
TRACK ADJUSTER							
ME41-UP							
	4220865		TRK ADJ			CTC-SK100206	10.75
	4220866		TRK ADJ			CTC-SK100206	10.75
	4691395		TRK ADJ			CTC-SK100206	10.75
	4691396		TRK ADJ			CTC-SK100206	10.75
MODEL 304E2 CR							
BLADE							
CJ21-UP							
	3976961		P-U-10	35 mm	65 mm	CTC-4690723	160.67
	3976963		P-U-10	45 mm	80 mm	CTC-4690717	201.49
FC21-UP, GC51-UP, HC51-UP, KC41-UP							
	2666979		P-U-10	45 mm	80 mm	CTC-2788641	100.77
	2666979		Bushing	45 mm		CTC-2378377	21.38
BOOM							
CJ21-UP							
	3976968		P-U-10	50 mm	85 mm	CTC-4690697	246.88
	3976972		P-U-10	50 mm	85 mm	CTC-4690697	246.88
	4787045		P-U-10	50 mm	85 mm	CTC-4787051	229.80
	4787046		P-U-10	50 mm	85 mm	CTC-4828678	131.99
FC21-117, GC51-UP							
	2843369		P-U-10	50 mm	85 mm	CTC-2812321	104.10
	2843369		Bushing	50 mm		CTC-3111031	21.65
FC2118-UP, GC51-UP							
	5023494		P-U-10	50 mm	85 mm	CTC-2812321	104.10
	5023494		Bushing	50 mm		CTC-3111031	21.65
HC51-UP, KC41-UP							
	2737031		P-U-10	50 mm	85 mm	CTC-2812321	104.10
	2737031		Bushing	50 mm		CTC-3111031	21.65
BUCKET							
CJ21-UP							
	3976979		P-U-10	45 mm	75 mm	CTC-4690711	224.92
FC21-UP, GC51-UP, HC51-UP, KC41-UP							
	2779900		P-U-10	45 mm	75 mm	CTC-2812322	95.84
	2779900		Bushing	45 mm		CTC-2378377	21.38
QUICK COUPLER							
CJ21-UP							
	3611125		I-U-11	3/4	1 1/4	CTC-3611078	197.82
	5674570		I-U-10	3/4	1-1/4	CTC-4855282	239.35
FC21-UP							
	3611125		I-U-11	3/4	1 1/4	CTC-3611078	197.82
	5674570		I-U-10	3/4	1-1/4	CTC-4855282	239.35
FC21-UP, KC41-UP							
	4855287		I-U-10	3/4	1-1/4	CTC-4855282	239.35
STICK							
CJ21-UP							
	3976984		P-U-10	50 mm	80 mm	CTC-4690704	220.56

REPLACEMENT KITS FOR CATERPILLAR® EQUIPMENT

Excavators - Compact							
APPLICATION	CYL #	Misc-Parts, Instructions, etc.	CODE	ROD	BORE	KIT #	List \$
MODEL 304E2 CR							
STICK							
FC21-UP, GC51-UP							
2840883			P-U-10	50 mm	80 mm	CTC-2812323	103.73
2840883			Bushing	50 mm		CTC-3111031	21.65
HC51-UP, KC41-UP							
2737032			P-U-10	50 mm	80 mm	CTC-2812323	103.73
2737032			Bushing	50 mm		CTC-3111031	21.65
SWING BOOM							
CJ21-UP							
3976975			P-U-10	50 mm	85 mm	CTC-4690729	231.29
FC21-UP, GC51-UP, HC51-UP, KC41-UP							
3760171			P-U-10	50 mm	85 mm	CTC-2790639	118.56
3760171			Bushing	50 mm		CTC-3111031	21.65
THUMB							
CJ21-UP							
2688224			P-U-10	1 1/2	2 1/2	CTC-2782257	64.23
TILT							
CJ21-UP							
2460192			P-UB-10	1-1/2	3	CTC-2350354	47.14
TRACK ADJUSTER							
CJ21-UP							
4220865			TRK ADJ			CTC-SK100206	10.75
4220866			TRK ADJ			CTC-SK100206	10.75
4691395			TRK ADJ			CTC-SK100206	10.75
4691396			TRK ADJ			CTC-SK100206	10.75
FC21-UP, GC51-UP, HC51-UP, KC41-UP							
3927373			TRK ADJ			CTC-SK100205	9.72
3927374			TRK ADJ			CTC-SK100205	9.72
MODEL 305.5E							
BLADE							
FSC1-UP							
2937158			P-U-10	55 mm	90 mm	CTC-4308918	166.46
MX51-UP							
3882913			I-UB-1	60 mm		CTC-3924561	148.28
YGB1-UP							
2937158			P-U-10	55 mm	90 mm	CTC-4308918	166.46
BLADE ANGLE							
FKY1-UP							
3891815			P-U-10	35 mm	65 mm	CTC-2839122	58.75
BLADE LIFT							
FKY1-UP							
2937158			P-U-10	55 mm	90 mm	CTC-4308918	166.46
BOOM							
FKY1-UP							
2821535			P-U-10	55 mm	100 mm	CTC-4307589	125.73
3712449			P-UB-14	55 mm	95 mm	CTC-2773395	132.95
3885292			P-U-10	55 mm	100 mm	CTC-SK100181	102.60
FSC1-UP							
3106213			P-U-10	55 mm	100 mm	CTC-SK100184	102.60
MX51-UP							
4252913			P-UB-1	55 mm		CTC-3750731	154.54
YGB1-UP							
2821536			P-U-10	55 mm	100 mm	CTC-SK100185	102.60
BUCKET							
FKY1-UP							
2666967			P-U-10	50 mm	80 mm	CTC-4308744	116.80

CATERPILLAR®

REPLACEMENT KITS FOR CATERPILLAR® EQUIPMENT

Excavators - Compact							
APPLICATION	CYL #	Misc-Parts, Instructions, etc.	CODE	ROD	BORE	KIT #	List \$
MODEL 305.5E							
BUCKET							
FSC1-UP							
2666968			P-U-10	50 mm	80 mm	CTC-SK100182	97.54
MX51-UP							
4252914			P-UB-1	40 mm		CTC-4523459	59.91
4252914			N-N-10		70 mm	CTC-4523460	44.26
YGB1-UP							
2666968			P-U-10	50 mm	80 mm	CTC-SK100182	97.54
QUICK COUPLER							
FKY1-UP							
3611077			I-U-11	3/4	1 1/4	CTC-3611078	197.82
STICK							
FKY1-UP							
2821537			P-U-10	55 mm	90 mm	CTC-4308918	166.46
FSC1-UP							
2737027			P-U-10	55 mm	90 mm	CTC-SK100183	91.64
MX51500-UP							
4550419			P-UB-1	55 mm		CTC-3750740	108.07
MX51-UP							
3638169			P-UB-1	55 mm		CTC-3750740	108.07
YGB1-UP							
2821538			P-U-10	55 mm	90 mm	CTC-SK100186	91.64
SWING BOOM							
FKY1-UP							
3769683			P-U-10	55 mm	90 mm	CTC-SK100180	79.46
FSC1-UP							
3769683			P-U-10	55 mm	90 mm	CTC-SK100180	79.46
YGB1-UP							
3769683			P-U-10	55 mm	90 mm	CTC-SK100180	79.46
TILT							
FKY1-UP							
2460192			P-UB-10	1-1/2	3	CTC-2350354	47.14
MODEL 305.5E2							
BLADE							
CR51-UP							
3976962			P-UB-1	40 mm		CTC-4610859	118.81
3976962			N-N-10		70 mm	CTC-4610860	89.52
3976962			Cushion Kit			CTC-4610861	4.80
3976965			P-UB-1	55 mm		CTC-4610668	158.50
3976965			N-N-10		90 mm	CTC-4610669	179.72
WE21-136							
3882913			I-UB-1	60 mm		CTC-3924561	148.28
3882913			N-N-10		110 mm	CTC-3924562	104.22
3882913			Cushion Kit			CTC-3924563	2.81
WE2137-UP							
4715687			I-UB-1	60 mm		CTC-3924561	148.28
4715687			N-N-10		110 mm	CTC-3924562	104.22
4715687			Cushion Kit			CTC-3924563	2.81

REPLACEMENT KITS FOR CATERPILLAR® EQUIPMENT

Excavators - Compact							
APPLICATION	CYL #	Misc-Parts, Instructions, etc.	CODE	ROD	BORE	KIT #	List \$
MODEL 305.5E2							
BOOM							
CR51-UP							
3976970			P-UB-1	55 mm		CTC-4610642	182.51
3976970			N-N-10		100 mm	CTC-4610643	102.97
3976970			Cushion Kit			CTC-4610644	4.00
3976974			P-UB-1	55 mm		CTC-4610642	182.51
3976974			N-N-10		100 mm	CTC-4610643	102.97
3976974			Cushion Kit			CTC-4610644	4.00
5127559			P-UB-1	55 mm		CTC-4610642	182.51
5127559			N-N-10		100 mm	CTC-4610643	102.97
5127559			Cushion Kit			CTC-4610644	4.00
5127560			P-UB-1	55 mm		CTC-4610642	182.51
5127560			N-N-10		100 mm	CTC-4610643	102.97
5127560			Cushion Kit			CTC-4610644	4.00
WE21-UP							
4252913			P-UB-1	55 mm		CTC-3750731	154.54
4252913			N-N-10		100 mm	CTC-3750732	106.04
BUCKET							
CR51-UP							
3976981			P-UB-1	50 mm		CTC-4610680	206.19
3976981			N-N-10		80 mm	CTC-4610681	64.60
3976981			Cushion Kit			CTC-4610682	5.66
WE21-UP							
4252914			P-UB-1	40 mm		CTC-4523459	59.91
4252914			N-N-10		70 mm	CTC-4523460	44.26
4252914			Cushion Kit			CTC-4523461	11.17
COUPLER							
CR51-UP							
4556016			I-U-11	3/4	1 1/4	CTC-3611078	197.82
QUICK COUPLER							
EJX1-UP							
3611077			I-U-11	3/4	1 1/4	CTC-3611078	197.82
STICK							
CR51-UP							
3976986			P-UB-1	55 mm		CTC-4610668	158.50
3976986			N-N-10		90 mm	CTC-4610669	179.72
WE21-UP							
4550419			P-UB-1	55 mm		CTC-3750740	108.07
SWING BOOM							
CR51-UP							
3976976			P-UB-1	55 mm		CTC-4610668	158.50
3976976			N-N-10		90 mm	CTC-4610669	179.72
THUMB							
CR51-UP							
2688225			P-U-10	1 3/4	3	CTC-2782263	84.02
2688225			Bushing	1-3/4		CTC-2782262	15.74
EJX1-UP							
2688225			P-U-10	1 3/4	3	CTC-2782263	84.02
TILT							
EJX1-UP							
2460192			P-UB-10	1-1/2	3	CTC-2350354	47.14
TRACK ADJUSTER LH							
CR51-UP							
4691393			TRK ADJ			CTC-SK100191	6.69
5239563			TRK ADJ			CTC-SK100191	6.69

CATERPILLAR®

REPLACEMENT KITS FOR CATERPILLAR® EQUIPMENT

Excavators - Compact							
APPLICATION	CYL #	Misc-Parts, Instructions, etc.	CODE	ROD	BORE	KIT #	List \$
MODEL 305.5E2							
TRACK ADJUSTER LH							
WE21-UP							
	3535580		TRK ADJ			CTC-SK100193	18.48
TRACK ADJUSTER RH							
CR51-UP							
	4691394		TRK ADJ			CTC-SK100191	6.69
	5239564		TRK ADJ			CTC-SK100191	6.69
WE21-UP							
	3535581		TRK ADJ			CTC-SK100193	18.48
MODEL 305.5E2 CR							
BLADE							
EJX1-UP							
	3976962		P-UB-1	40 mm		CTC-4610859	118.81
	3976962		N-N-10		70 mm	CTC-4610860	89.52
	3976962		Cushion Kit			CTC-4610861	4.80
	3976965		P-UB-1	55 mm		CTC-4610668	158.50
	3976965		N-N-10		90 mm	CTC-4610669	179.72
FR51-UP; HRX1-UP; NC51-UP; SHW1-UP							
	4610517		P-U-10	55 mm	90 mm	CTC-4812718	267.28
	4610517		Bushing	55 mm		CTC-4800652	23.67
BOOM							
EJX1-UP							
	3976970		P-UB-1	55 mm		CTC-4610642	182.51
	3976970		N-N-10		100 mm	CTC-4610643	102.97
	3976970		Cushion Kit			CTC-4610644	4.00
	3976974		P-UB-1	55 mm		CTC-4610642	182.51
	3976974		N-N-10		100 mm	CTC-4610643	102.97
	3976974		Cushion Kit			CTC-4610644	4.00
	5127559		P-UB-1	55 mm		CTC-4610642	182.51
	5127559		N-N-10		100 mm	CTC-4610643	102.97
	5127559		Cushion Kit			CTC-4610644	4.00
	5127560		P-UB-1	55 mm		CTC-4610642	182.51
	5127560		N-N-10		100 mm	CTC-4610643	102.97
	5127560		Cushion Kit			CTC-4610644	4.00
BUCKET							
EJX1-UP							
	3976981		P-UB-1	50 mm		CTC-4610680	206.19
	3976981		N-N-10		80 mm	CTC-4610681	64.60
	3976981		Cushion Kit			CTC-4610682	5.66
FR51-UP; HRX1-UP; NC51-UP; SHW1-UP							
	4610516		P-U-10	50 mm	80 mm	CTC-4812720	103.21
	4610516		Bushing	50 mm		CTC-3111031	21.65
COUPLER							
EJX1-UP							
	4556016		I-U-11	3/4	1 1/4	CTC-3611078	197.82
EJX1-UP; SHW1-UP							
	3611077		I-U-11	3/4	1 1/4	CTC-3611078	197.82
HRX1-UP; SHW1-UP							
	4855288		I-U-10	3/4	1-1/4	CTC-4855282	239.35
	4855288		Valve Kit			CTC-4999314	71.30
STICK							
EJX1-UP							
	3976986		P-UB-1	55 mm		CTC-4610668	158.50
	3976986		N-N-10		90 mm	CTC-4610669	179.72

REPLACEMENT KITS FOR CATERPILLAR® EQUIPMENT

Excavators - Compact							
APPLICATION	CYL #	Misc-Parts, Instructions, etc.	CODE	ROD	BORE	KIT #	List \$
MODEL 305.5E2 CR							
STICK							
FR51-UP; HRX1-UP							
4610521			P-U-10	55 mm	90 mm	CTC-4812718	267.28
4610521			Bushing	55 mm		CTC-4800652	23.67
NC51-UP; SHW1-UP							
4610515			P-U-10	55 mm	90 mm	CTC-4812718	267.28
4610515			Bushing	55 mm		CTC-4800652	23.67
SWING BOOM							
EJX1-UP							
3976976			P-UB-1	55 mm		CTC-4610668	158.50
3976976			N-N-10		90 mm	CTC-4610669	179.72
THUMB							
EJX1-UP							
2688225			P-U-10	1 3/4	3	CTC-2782263	84.02
2688225			Bushing	1-3/4		CTC-2782262	15.74
TILT							
EJX1-UP							
2460192			P-UB-10	1-1/2	3	CTC-2350354	47.14
TRACK ADJUSTER LH							
EJX1-UP							
4691393			TRK ADJ			CTC-SK100191	6.69
5239563			TRK ADJ			CTC-SK100191	6.69
FR51-UP; HRX1-UP; NC51-UP; SHW1-UP							
3771230			TRK ADJ			CTC-SK100192	6.04
TRACK ADJUSTER RH							
EJX1-UP							
4691394			TRK ADJ			CTC-SK100191	6.69
5239564			TRK ADJ			CTC-SK100191	6.69
FR51-UP; HRX1-UP; NC51-UP; SHW1-UP							
3771239			TRK ADJ			CTC-SK100192	6.04
MODEL 305E							
BLADE							
WDL1-UP							
3712452			P-UB-10	50 mm	85 mm	CTC-2774178	252.47
XFA1-UP							
3891815			P-U-10	35 mm	65 mm	CTC-2839122	58.75
XSC1-UP							
3712452			P-UB-10	50 mm	85 mm	CTC-2774178	252.47
BLADE ANGLE							
XFA1-UP							
3712452			P-UB-10	50 mm	85 mm	CTC-2774178	252.47
BOOM							
XFA1-UP							
3712449			P-UB-14	55 mm	95 mm	CTC-2773395	132.95
3885291			P-UB-14	55 mm	95 mm	CTC-2773395	132.95
BUCKET							
WDL1-UP							
3743179			P-UB-14	45 mm	75 mm	CTC-3944852	126.30
XFA1-UP							
3712451			P-UB-14	45 mm	75 mm	CTC-2774167	191.76
XSC1-UP							
3743179			P-UB-14	45 mm	75 mm	CTC-3944852	126.30
QUICK COUPLER							
XFA1-UP							
3611077			I-U-11	3/4	1 1/4	CTC-3611078	197.82

CATERPILLAR®

REPLACEMENT KITS FOR CATERPILLAR® EQUIPMENT

Excavators - Compact							
APPLICATION	CYL #	Misc-Parts, Instructions, etc.	CODE	ROD	BORE	KIT #	List \$
MODEL 305E							
STICK							
WDL1-UP							
	3742031		P-UB-14	50 mm	85 mm	CTC-3944846	223.27
XFA1-UP							
	3712450		P-UB-14	50 mm	85 mm	CTC-2774140	112.12
XSC1-UP							
	3930821		P-UB-14	50 mm	85 mm	CTC-3944848	133.15
SWING BOOM							
WDL1-UP							
	3769683		P-U-10	55 mm	90 mm	CTC-SK100180	79.46
XFA1-UP							
	3769683		P-U-10	55 mm	90 mm	CTC-SK100180	79.46
XSC1-UP							
	3769683		P-U-10	55 mm	90 mm	CTC-SK100180	79.46
THUMB							
XFA1-UP							
	2688225		P-U-10	1 3/4	3	CTC-2782263	84.02
TILT							
XFA1-UP							
	2460192		P-UB-10	1-1/2	3	CTC-2350354	47.14
MODEL 305E2							
BLADE							
H5M1-UP							
	3976962		P-UB-1	40 mm		CTC-4610859	118.81
	3976962		N-N-10		70 mm	CTC-4610860	89.52
	3976962		Cushion Kit			CTC-4610861	4.80
	3976965		P-UB-1	55 mm		CTC-4610668	158.50
	3976965		N-N-10		90 mm	CTC-4610669	179.72
BOOM							
H5M1-UP							
	3976970		P-UB-1	55 mm		CTC-4610642	182.51
	3976970		N-N-10		100 mm	CTC-4610643	102.97
	3976970		Cushion Kit			CTC-4610644	4.00
	3976974		P-UB-1	55 mm		CTC-4610642	182.51
	3976974		N-N-10		100 mm	CTC-4610643	102.97
	3976974		Cushion Kit			CTC-4610644	4.00
	5127559		P-UB-1	55 mm		CTC-4610642	182.51
	5127559		N-N-10		100 mm	CTC-4610643	102.97
	5127559		Cushion Kit			CTC-4610644	4.00
	5127560		P-UB-1	55 mm		CTC-4610642	182.51
	5127560		N-N-10		100 mm	CTC-4610643	102.97
	5127560		Cushion Kit			CTC-4610644	4.00
BUCKET							
H5M1-UP							
	3976980		P-UB-1	45 mm		CTC-3750749	153.19
	3976980		N-N-10		75 mm	CTC-3750750	67.54
	3976980		Cushion Kit			CTC-3750751	3.53
QUICK COUPLER							
H5M1-UP							
	4556016		I-U-11	3/4	1 1/4	CTC-3611078	197.82
STICK							
H5M1-UP							
	3976985		P-UB-1	50 mm		CTC-4610023	109.49
	3976985		N-N-10		85 mm	CTC-4515100	39.76
	3976985		Cushion Kit			CTC-4610021	12.40

REPLACEMENT KITS FOR CATERPILLAR® EQUIPMENT

Excavators - Compact							
APPLICATION	CYL #	Misc-Parts, Instructions, etc.	CODE	ROD	BORE	KIT #	List \$
MODEL 305E2							
SWING BOOM							
H5M1-UP							
	3976976		P-UB-1	55 mm		CTC-4610668	158.50
	3976976		N-N-10		90 mm	CTC-4610669	179.72
THUMB							
H5M1-UP							
	2688225		P-U-10	1 3/4	3	CTC-2782263	84.02
	2688225		Bushing	1-3/4		CTC-2782262	15.74
TRACK ADJUSTER							
H5M1-UP							
	5239563		TRK ADJ			CTC-SK100191	6.69
	5239564		TRK ADJ			CTC-SK100191	6.69
MODEL 305E2 CR							
BLADE							
BZ51-UP; DF51-UP; PYR1-UP; R5C1-UP							
	4610517		P-U-10	55 mm	90 mm	CTC-4812718	267.28
	4610517		Bushing	55 mm		CTC-4800652	23.67
DJX1-UP							
	3976962		P-UB-1	40 mm		CTC-4610859	118.81
	3976962		N-N-10		70 mm	CTC-4610860	89.52
	3976962		Cushion Kit			CTC-4610861	4.80
	3976965		P-UB-1	55 mm		CTC-4610668	158.50
	3976965		N-N-10		90 mm	CTC-4610669	179.72
BOOM							
BZ51-UP; PYR1-UP							
	4610509		P-U-10	55 mm	95 mm	CTC-4812715	284.40
	4610509		Bushing	55 mm		CTC-4800652	23.67
	5023496		P-U-10	55 mm	95 mm	CTC-4812715	284.40
	5023496		Bushing	55 mm		CTC-4800652	23.67
DF51-UP; R5C1-UP							
	4610518		P-U-10	55 mm	95 mm	CTC-4812715	284.40
	4610518		Bushing	55 mm		CTC-4800652	23.67
DJX1-UP							
	3976969		P-UB-1	55 mm		CTC-4609933	220.88
	3976969		N-N-10		95 mm	CTC-4609935	83.87
	3976969		Cushion Kit			CTC-4609936	4.42
	3976970		P-UB-1	55 mm		CTC-4610642	182.51
	3976970		N-N-10		100 mm	CTC-4610643	102.97
	3976970		Cushion Kit			CTC-4610644	4.00
	3976973		P-UB-1	55 mm		CTC-4609933	220.88
	3976973		N-N-10		95 mm	CTC-4609935	83.87
	3976973		Cushion Kit			CTC-4609936	4.42
	3976974		P-UB-1	55 mm		CTC-4610642	182.51
	3976974		N-N-10		100 mm	CTC-4610643	102.97
	3976974		Cushion Kit			CTC-4610644	4.00
BUCKET							
BZ51-UP; DF51-UP; PYR1-UP; R5C1-UP							
	4610511		P-U-10	45 mm	75 mm	CTC-4812717	217.85
	4610511		Bushing	45 mm		CTC-3147387	21.38
DJX1-UP							
	3976980		P-UB-1	45 mm		CTC-3750749	153.19
	3976980		N-N-10		75 mm	CTC-3750750	67.54
	3976980		Cushion Kit			CTC-3750751	3.53
BUCKET TILT							
DJX1-UP							
	2460192		P-UB-10	1-1/2	3	CTC-2350354	47.14

CATERPILLAR®

REPLACEMENT KITS FOR CATERPILLAR® EQUIPMENT

Excavators - Compact							
APPLICATION	CYL #	Misc-Parts, Instructions, etc.	CODE	ROD	BORE	KIT #	List \$
MODEL 305E2 CR							
QUICK COUPLER							
DJX1-UP							
4556016			I-U-11	3/4	1 1/4	CTC-3611078	197.82
DJX1-UP; PYR1-UP							
3611077			I-U-11	3/4	1 1/4	CTC-3611078	197.82
PYR1-UP; R5C1-UP							
4855288			I-U-10	3/4	1-1/4	CTC-4855282	239.35
4855288			Valve Kit			CTC-4999314	71.30
STICK							
BZ51-UP; PYR1-UP							
4610510			P-U-10	50 mm	85 mm	CTC-4812716	300.39
4610510			Bushing	50 mm		CTC-3111031	21.65
DF51-UP; R5C1-UP							
4610519			P-U-10	50 mm	85 mm	CTC-4812716	300.39
4610519			Bushing	50 mm		CTC-3111031	21.65
DJX1-UP							
3976985			P-UB-1	50 mm		CTC-4610023	109.49
3976985			N-N-10		85 mm	CTC-4515100	39.76
3976985			Cushion Kit			CTC-4610021	12.40
SWING BOOM							
BZ51-UP; DF51-UP; PYR1-UP; R5C1-UP							
4610512			P-U-10	55 mm	90 mm	CTC-4812718	267.28
4610512			Bushing	55 mm		CTC-4800652	23.67
DJX1-UP							
3976976			P-UB-1	55 mm		CTC-4610668	158.50
3976976			N-N-10		90 mm	CTC-4610669	179.72
THUMB							
DJX1-UP							
2688225			P-U-10	1 3/4	3	CTC-2782263	84.02
2688225			Bushing	1-3/4		CTC-2782262	15.74
TRACK ADJUSTER							
BZ51-UP; DF51-UP; PYR1-UP; R5C1-UP							
3771230			TRK ADJ			CTC-SK100192	6.04
3771239			TRK ADJ			CTC-SK100192	6.04
DJX1-UP							
4155192			TRK ADJ			CTC-SK100191	6.69
4155193			TRK ADJ			CTC-SK100191	6.69
4691393			TRK ADJ			CTC-SK100191	6.69
4691394			TRK ADJ			CTC-SK100191	6.69
5239563			TRK ADJ			CTC-SK100191	6.69
5239564			TRK ADJ			CTC-SK100191	6.69
MODEL 308E							
BLADE							
GBJ1-UP							
3760176			P-UB-14	80 mm	120 mm	CTC-3825845	218.75
TAZ1-UP							
3741857			I-UB-1	80 mm		CTC-4185330	263.66
BOOM							
GBJ1-UP							
3884093			P-UB-10	70 mm	110 mm	CTC-3914638	177.50
GBJ221-UP							
3760172			P-UB-10	70 mm	110 mm	CTC-3825775	239.52
4417702			P-UB-10	70 mm	110 mm	CTC-SK100189	230.35

REPLACEMENT KITS FOR CATERPILLAR® EQUIPMENT

Excavators - Compact							
APPLICATION	CYL #	Misc-Parts, Instructions, etc.	CODE	ROD	BORE	KIT #	List \$
MODEL 308E							
BUCKET							
GBJ1-UP							
	3760174		P-UB-10	55 mm	85 mm	CTC-3825827	152.39
	4417706		P-UB-10	55 mm	85 mm	CTC-SK100188	119.07
COUPLER							
GBJ1-UP							
	4555975		I-U-15	3/4	1-1/4	CTC-3611131	56.90
STICK							
GBJ1-UP							
	3760173		P-UB-10	60 mm	95 mm	CTC-3825802	167.19
	3884094		P-UB-10	60 mm	95 mm	CTC-3825822	174.11
SWING BOOM							
GBJ1-UP							
	3760175		P-UB-10	65 mm	110 mm	CTC-3825860	183.46
THUMB							
GBJ1-UP							
	3056717		I-U-10	50 mm	70 mm	CTC-2764172	64.44
MODEL 308E CR							
BLADE							
HAM1-UP							
	3760176		P-UB-14	80 mm	120 mm	CTC-3825845	218.75
HEL1-UP							
	3760176		P-UB-14	80 mm	120 mm	CTC-3825845	218.75
BOOM							
HAM1-UP							
	3927693		P-UB-10	70 mm	110 mm	CTC-4286802	183.38
HEL1-UP							
	3927692		P-UB-10	70 mm	110 mm	CTC-3825775	239.52
	4417727		P-UB-10	70 mm	110 mm	CTC-SK100189	230.35
BUCKET							
HAM1-UP							
	3760174		P-UB-10	55 mm	85 mm	CTC-3825827	152.39
HEL1-UP							
	3760174		P-UB-10	55 mm	85 mm	CTC-3825827	152.39
	4417706		P-UB-10	55 mm	85 mm	CTC-SK100188	119.07
STICK							
HAM1-UP							
	3384094		P-UB-10	60 mm	95 mm	CTC-3825822	174.11
HEL1-UP							
	3760173		P-UB-10	60 mm	95 mm	CTC-3825802	167.19
MODEL 308E2 CR							
BLADE							
EC21-UP							
	3760176		P-UB-14	80 mm	120 mm	CTC-3825845	218.75
FJX1-UP							
	3760176		P-UB-14	80 mm	120 mm	CTC-3825845	218.75
MY21-UP							
	3760176		P-UB-14	80 mm	120 mm	CTC-3825845	218.75
TMX1-UP							
	3760176		P-UB-14	80 mm	120 mm	CTC-3825845	218.75
BOOM							
EC21-UP							
	4417729		P-UB-10	70 mm	110 mm	CTC-SK100189	230.35
	4417735		P-UB-10	70 mm	110 mm	CTC-4567244	362.70

REPLACEMENT KITS FOR CATERPILLAR® EQUIPMENT

Excavators - Compact							
APPLICATION	CYL #	Misc-Parts, Instructions, etc.	CODE	ROD	BORE	KIT #	List \$
MODEL 308E2 CR							
BOOM							
FJX1-UP							
3760172			P-UB-10	70 mm	110 mm	CTC-3825775	239.52
4215336			P-UB-10	70 mm	110 mm	CTC-4215355	239.52
4417702			P-UB-10	70 mm	110 mm	CTC-SK100189	230.35
MY21-UP							
3927692			P-UB-10	70 mm	110 mm	CTC-3825775	239.52
4417727			P-UB-10	70 mm	110 mm	CTC-SK100189	230.35
TMX1-UP							
3760172			P-UB-10	70 mm	110 mm	CTC-3825775	239.52
4350781			P-UB-10	70 mm	110 mm	CTC-4215355	239.52
4417702			P-UB-10	70 mm	110 mm	CTC-SK100189	230.35
BUCKET							
EC21-UP							
3760174			P-UB-10	55 mm	85 mm	CTC-3825827	152.39
4417706			P-UB-10	55 mm	85 mm	CTC-SK100188	119.07
FJX1-UP							
3760174			P-UB-10	55 mm	85 mm	CTC-3825827	152.39
4417706			P-UB-10	55 mm	85 mm	CTC-SK100188	119.07
MY21-UP							
3760174			P-UB-10	55 mm	85 mm	CTC-3825827	152.39
4417706			P-UB-10	55 mm	85 mm	CTC-SK100188	119.07
TMX1-UP							
3760174			P-UB-10	55 mm	85 mm	CTC-3825827	152.39
4417706			P-UB-10	55 mm	85 mm	CTC-SK100188	119.07
COUPLER							
FJX1-UP							
3611139			I-U-15	3/4	1-1/4	CTC-3611131	56.90
4555975			I-U-15	3/4	1-1/4	CTC-3611131	56.90
TMX1-UP							
4555975			I-U-15	3/4	1-1/4	CTC-3611131	56.90
STICK							
EC21-UP							
4417711			P-UB-10	60 mm	95 mm	CTC-SK100190	140.06
FJX1-UP							
3760173			P-UB-10	60 mm	95 mm	CTC-3825802	167.19
4215337			P-UB-10	60 mm	95 mm	CTC-4220706	174.11
MY21-UP							
3760173			P-UB-10	60 mm	95 mm	CTC-3825802	167.19
TMX1-UP							
3760173			P-UB-10	60 mm	95 mm	CTC-3825802	167.19
4215337			P-UB-10	60 mm	95 mm	CTC-4220706	174.11
SWING BOOM							
FJX1-UP							
3760175			P-UB-10	65 mm	110 mm	CTC-3825860	183.46
TMX1-UP							
3760175			P-UB-10	65 mm	110 mm	CTC-3825860	183.46
THUMB							
FJX1-UP							
3053717			I-U-10	50 mm	70 mm	CTC-2764172	64.44
3056716			I-U-10	50 mm	70 mm	CTC-2764172	64.44
TMX1-UP							
3056716			I-U-10	50 mm	70 mm	CTC-2764172	64.44
3056717			I-U-10	50 mm	70 mm	CTC-2764172	64.44

REPLACEMENT KITS FOR CATERPILLAR® EQUIPMENT

Excavators - Front-Shovel							
APPLICATION	CYL #	Misc-Parts, Instructions, etc.	CODE	ROD	BORE	KIT #	List \$
MODEL 5080							
BOOM							
	4I3915		P-UB-10	130 mm	180 mm	CTC-0875407	546.07
STICK							
	6E4272		P-UB-10	150 mm	220 mm	CTC-1560627	800.19
MODEL 5110							
BUCKET							
	6E0020		P-UB-10	150 mm	220 mm	CTC-1560627	800.19
MODEL 5230, 5230B							
BUCKET							
	6E6435		P-UB-10	3-1/2	7-1/4	CTC-1309483	388.58
Excavators - Wheel							
APPLICATION	CYL #	Misc-Parts, Instructions, etc.	CODE	ROD	BORE	KIT #	List \$
MODEL M315							
BOOM							
	1134979		P-UB-10	80 mm	110 mm	CTC-1247009	304.71
	1134989		P-UB-10	80 mm	110 mm	CTC-1247009	304.71
STICK							
	1141872		P-UB-10	80 mm	110 mm	CTC-1247009	304.71
	1586388		P-UB-10	75 mm	110 mm	CTC-1586389	287.62
MODEL M316							
BLADE							
			I-U-10	60 mm	100 mm	CTC-1183135	128.68
BOOM							
			I-U-15	60 mm	110 mm	CTC-1558421	100.70
			P-UB-10	75 mm	140 mm	CTC-2605319	434.99
COUPLER							
			I-U-5	40 mm	60 mm	CTC-2027897	56.71
STABILIZER							
			P-U-10	70 mm	130 mm	CTC-2000920	205.39
STICK							
			P-UB-10	80 mm	120 mm	CTC-2605316	158.32
MODEL M318							
BOOM							
	1112034		I-U-10	60 mm	100 mm	CTC-1183135	128.68
	1124231		P-UB-10	85 mm	120 mm	CTC-1247008	215.65
	1124241		P-UB-10	85 mm	120 mm	CTC-1247008	215.65
	1124243		P-UB-10	85 mm	160 mm	CTC-1247005	276.82
BUCKET							
	1124245		P-UB-10	80 mm	110 mm	CTC-1247007	357.57
MATERIAL HANDLER							
	1415981		P-UB-10	80 mm	110 mm	CTC-1247009	304.71
STICK							
	1124236		P-UB-10	85 mm	120 mm	CTC-1247008	215.65
MODEL M320							
BOOM							
	1279243		P-UB-10	100 mm	170 mm	CTC-1296156	264.56
	1283203		P-UB-10	95 mm	130 mm	CTC-7Y5147	409.95
BUCKET							
	0875633		P-UB-10	85 mm	120 mm	CTC-0875394	354.94
	0875633		P-UB-10	85 mm	120 mm	CTC-1184131	342.72
STICK							
	1279242		P-UB-10	100 mm	140 mm	CTC-0875387	468.63
	1386696		P-UB-10	85 mm	120 mm	CTC-1184131	342.72

CATERPILLAR®

REPLACEMENT KITS FOR CATERPILLAR® EQUIPMENT

Forestry - Excavators							
APPLICATION	CYL #	Misc-Parts, Instructions, etc.	CODE	ROD	BORE	KIT #	List \$
MODEL 568 FM LL							
BOOM							
BRB1-UP							
			P-UB-10	110 mm	170 mm	CTC-2959894	565.10
			Bushing	110 mm		CTC-1140761	114.55
YJX1-UP							
			P-UB-10	105 mm	150 mm	CTC-3249485	257.86
			Bushing	105 mm		CTC-1140760	72.04
BUCKET							
BRB1-UP							
			P-UB-10	110 mm	160 mm	CTC-2344674	302.76
			P-UB-10	105 mm	150 mm	CTC-3087824	295.61
			Bushing	105 mm		CTC-1140760	72.04
			Bushing	110 mm		CTC-1140762	107.24
YJX1-UP							
			P-UB-10	105 mm	150 mm	CTC-3249485	257.86
			Bushing	105 mm		CTC-1140760	72.04
CAB TILT							
BRB1-UP; YJX1-UP							
			P-UB-10	2-1/4	5	CTC-2417578	87.32
GRAPPLE							
BRB1-UP							
			P-UB-10	2-1/2	4	CTC-2167858	143.37
STICK							
BRB1-UP							
			P-UB-10	130 mm	180 mm	CTC-SK100004	541.12
YJX1-UP							
			P-UB-10	115 mm	170 mm	CTC-3198295	317.36
			Bushing	115 mm		CTC-1915644	102.23
TRACK ADJUSTER							
BRB1-UP; YJX1-UP							
			TRACK ADJ			CTC-SK100014	116.94
Forestry - Forwarders							
APPLICATION	CYL #	Misc-Parts, Instructions, etc.	CODE	ROD	BORE	KIT #	List \$
MODEL 554							
STEERING							
1AM1-UP; TGH1-UP							
	1602675		P-UB-10	2	3-1/2	CTC-2281778	106.58
MODEL 564							
STEERING							
KBN1-UP							
			P-UB-10	2	3-1/2	CTC-2281778	106.58
MODEL 574							
STEERING							
1FM220-222; 1FM224-UP; CZZ1-UP; RLS1-UP							
	1602675		P-UB-10	2	3-1/2	CTC-2281778	106.58
MODEL 574B							
STEERING							
1FM220-222; 1FM224-UP; CZZ1-UP; RLS1-UP							
	1602675		P-UB-10	2	3-1/2	CTC-2281778	106.58
Forestry - Industrial Tractors							
APPLICATION	CYL #	Misc-Parts, Instructions, etc.	CODE	ROD	BORE	KIT #	List \$
MODEL TK371							
LIFT							
WBG1-UP							
			P-UB-10	2-1/2	4	CTC-SK100007	62.04

REPLACEMENT KITS FOR CATERPILLAR® EQUIPMENT

Forestry - Industrial Tractors							
APPLICATION	CYL #	Misc-Parts, Instructions, etc.	CODE	ROD	BORE	KIT #	List \$
MODEL TK371							
STEERING							
	WBG1-UP		P-UB-10	1-3/4	3	CTC-2275350	45.88
TILT							
	WBG1-UP		P-UB-10,12	2-1/2	4	CTC-SK100008	415.16
MODEL TK381							
LIFT							
	WBH1-UP		P-UB-10	2-1/2	4	CTC-SK100007	62.04
STEERING							
	WBH1-UP		P-UB-10	1-3/4	3	CTC-2275350	45.88
TILT							
	WBH1-UP		P-UB-10,12	2-1/2	4	CTC-SK100008	415.16
Forestry - Knuckle Boom Loaders							
APPLICATION	CYL #	Misc-Parts, Instructions, etc.	CODE	ROD	BORE	KIT #	List \$
MODEL 539							
BOOM							
	1PZ1-203 1747132		P-UB-10	4	6	CTC-2460658	466.04
STABILIZER							
	1PZ1-203 1746063		P-UB-10	3-1/2	6	CTC-SK100011	205.09
STICK							
	1PZ1-203 1747120		P-UB-10	4	6	CTC-2460658	466.04
Forestry - Track Feller Bunchers							
APPLICATION	CYL #	Misc-Parts, Instructions, etc.	CODE	ROD	BORE	KIT #	List \$
MODEL 511							
BOOM							
	5111-UP		P-UB-10	95 mm	130 mm	CTC-1659419	310.12
			Bushing	95 mm		CTC-1289260	56.30
SAW TILT							
	5111-UP 2545457		P-UB-10	95 mm	130 mm	CTC-1659419	310.12
	2545457		Bushing	95 mm		CTC-1289260	56.30
	2747480		P-UB-10	90 mm	130 mm	CTC-3446336	200.58
	2747480		Bushing	90 mm		CTC-1140758	54.25
STICK							
	5111-UP		P-UB-10	95 mm	130 mm	CTC-1659419	310.12
			Bushing	95 mm		CTC-1289260	56.30
TRACK ADJUSTER							
	5111-UP		TRACK ADJ			CTC-SK100013	74.87
MODEL 521							
BOOM							
	5211-UP		P-UB-10	95 mm	130 mm	CTC-1659419	310.12
			Bushing	95 mm		CTC-1289260	56.30

REPLACEMENT KITS FOR CATERPILLAR® EQUIPMENT

Forestry - Track Feller Bunchers							
APPLICATION	CYL #	Misc-Parts, Instructions, etc.	CODE	ROD	BORE	KIT #	List \$
MODEL 521							
SAW TILT							
5211-UP							
	2545457		P-UB-10	95 mm	130 mm	CTC-1659419	310.12
	2545457		Bushing	95 mm		CTC-1289260	56.30
	2747480		P-UB-10	90 mm	130 mm	CTC-3446336	200.58
	2747480		Bushing	90 mm		CTC-1140758	54.25
STICK							
5211-UP							
			P-UB-10	95 mm	130 mm	CTC-1659419	310.12
			Bushing	95 mm		CTC-1289260	56.30
TRACK ADJUSTER							
5211-UP							
			TRACK ADJ			CTC-SK100013	74.87
MODEL 521B							
BOOM							
F7B1-UP							
			P-UB-10	100 mm	140 mm	CTC-2478792	254.17
			P-UB-10	95 mm	160 mm	CTC-2521191	267.88
			Bushing	100 mm		CTC-1140757	66.11
			Bushing	95 mm		CTC-6C6093	60.58
SAW TILT							
F7B1-UP							
			P-UB-10	90 mm	130 mm	CTC-3446336	200.58
			Bushing	90 mm		CTC-1140758	54.25
STICK							
F7B1-UP							
			P-UB-10	95 mm	130 mm	CTC-1659419	310.12
			Bushing	95 mm		CTC-1289260	56.30
TRACK ADJUSTER							
F7B1-UP							
			TRACK ADJ			CTC-SK100014	116.94
MODEL 522							
BOOM							
5221-UP							
			P-UB-10	95 mm	130 mm	CTC-1659419	310.12
			Bushing	95 mm		CTC-1289260	56.30
CAB TILT							
5221-UP							
			P-UB-10	3-1/4	7	CTC-SK100010	271.32
SAW TILT							
5221-UP							
	2545457		P-UB-10	95 mm	130 mm	CTC-1659419	310.12
	2545457		Bushing	95 mm		CTC-1289260	56.30
	2747480		P-UB-10	90 mm	130 mm	CTC-3446336	200.58
	2747480		Bushing	90 mm		CTC-1140758	54.25
STICK							
5221-UP							
			P-UB-10	95 mm	130 mm	CTC-1659419	310.12
			Bushing	95 mm		CTC-1289260	56.30
TRACK ADJUSTER							
5221-UP							
			TRACK ADJ			CTC-SK100013	74.87

REPLACEMENT KITS FOR CATERPILLAR® EQUIPMENT

Forestry - Track Feller Bunchers							
APPLICATION	CYL #	Misc-Parts, Instructions, etc.	CODE	ROD	BORE	KIT #	List \$
MODEL 522B							
BOOM							
F7C1-UP							
			P-UB-10	100 mm	140 mm	CTC-2478792	254.17
			P-UB-10	95 mm	160 mm	CTC-2521191	267.88
			Bushing	100 mm		CTC-1140757	66.11
			Bushing	95 mm		CTC-6C6093	60.58
CAB TILT							
F7C1-UP							
			P-UB-10	3-1/4	7	CTC-2290334	245.89
SAW TILT							
F7C1-UP							
			P-UB-10	90 mm	130 mm	CTC-3446336	200.58
			Bushing	90 mm		CTC-1140758	54.25
STICK							
F7C1-UP							
			P-UB-10	95 mm	130 mm	CTC-1659419	310.12
			Bushing	95 mm		CTC-1289260	56.30
TRACK ADJUSTER							
F7C1-UP							
			TRACK ADJ			CTC-SK100014	116.94
MODEL 532							
BOOM							
5321-UP							
			P-UB-10	95 mm	130 mm	CTC-1659419	310.12
			Bushing	95 mm		CTC-1289260	56.30
CAB TILT							
5321-UP							
			P-UB-10	3-1/4	7	CTC-2290334	245.89
SAW TILT							
5321-UP							
	2545457		P-UB-10	95 mm	130 mm	CTC-1659419	310.12
	2545457		Bushing	95 mm		CTC-1289260	56.30
	2747480		P-UB-10	90 mm	130 mm	CTC-3446336	200.58
	2747480		Bushing	90 mm		CTC-1140758	54.25
STICK							
5321-UP							
			P-UB-10	95 mm	130 mm	CTC-1659419	310.12
			Bushing	95 mm		CTC-1289260	56.30
TRACK ADJUSTER							
5321-UP							
			TRACK ADJ			CTC-SK100014	116.94
MODEL 541							
BOOM							
5411-UP; F7D1-UP							
			P-UB-10	95 mm	130 mm	CTC-1659419	310.12
			P-UB-10	105 mm	150 mm	CTC-2481168	265.36
			Bushing	105 mm		CTC-1140760	72.04
			Bushing	95 mm		CTC-1289260	56.30
SAW TILT							
5411-UP; F7D1-UP							
			P-UB-10	105 mm	150 mm	CTC-2481168	265.36
			Bushing	105 mm		CTC-1140760	72.04
STICK							
5411-UP							
			P-UB-10	100 mm	140 mm	CTC-2159985	168.04
			Bushing	100 mm		CTC-1140757	66.11

CATERPILLAR®

REPLACEMENT KITS FOR CATERPILLAR® EQUIPMENT

Forestry - Track Feller Bunchers							
APPLICATION	CYL #	Misc-Parts, Instructions, etc.	CODE	ROD	BORE	KIT #	List \$
MODEL 541							
STICK							
5411-UP; F7D1-UP							
			P-UB-10	105 mm	150 mm	CTC-2481168	265.36
			Bushing	105 mm		CTC-1140760	72.04
F7D1-UP							
			P-UB-10	100 mm	140 mm	CTC-2478792	254.17
			Bushing	100 mm		CTC-1140757	66.11
TRACK ADJUSTER							
5411-UP; F7D1-UP							
			TRACK ADJ			CTC-SK100014	116.94
MODEL 541 II							
BOOM							
5411-UP; F7D1-UP							
			P-UB-10	95 mm	130 mm	CTC-1659419	310.12
			P-UB-10	105 mm	150 mm	CTC-2481168	265.36
			Bushing	105 mm		CTC-1140760	72.04
			Bushing	95 mm		CTC-1289260	56.30
SAW TILT							
5411-UP; F7D1-UP							
			P-UB-10	105 mm	150 mm	CTC-2481168	265.36
			Bushing	105 mm		CTC-1140760	72.04
STICK							
5411-UP							
			P-UB-10	100 mm	140 mm	CTC-2159985	168.04
			Bushing	100 mm		CTC-1140757	66.11
5411-UP; F7D1-UP							
			P-UB-10	105 mm	150 mm	CTC-2481168	265.36
			Bushing	105 mm		CTC-1140760	72.04
F7D1-UP							
			P-UB-10	100 mm	140 mm	CTC-2478792	254.17
			Bushing	100 mm		CTC-1140757	66.11
TRACK ADJUSTER							
5411-UP; F7D1-UP							
			TRACK ADJ			CTC-SK100014	116.94
MODEL 551							
BOOM							
5511-UP							
			P-UB-10	95 mm	130 mm	CTC-1659419	310.12
			P-UB-10	105 mm	150 mm	CTC-2481168	265.36
			Bushing	105 mm		CTC-1140760	72.04
			Bushing	95 mm		CTC-1289260	56.30
SAW TILT							
5511-UP							
			P-UB-10	105 mm	150 mm	CTC-2481168	265.36
			Bushing	105 mm		CTC-1140760	72.04
STICK							
5511-UP							
			P-UB-10	100 mm	140 mm	CTC-2159985	168.04
			P-UB-10	105 mm	150 mm	CTC-2481168	265.36
			Bushing	100 mm		CTC-1140757	66.11
			Bushing	105 mm		CTC-1140760	72.04
TRACK ADJUSTER							
5511-UP							
			TRACK ADJ			CTC-SK100014	116.94

REPLACEMENT KITS FOR CATERPILLAR® EQUIPMENT

Forestry - Track Feller Bunchers							
APPLICATION	CYL #	Misc-Parts, Instructions, etc.	CODE	ROD	BORE	KIT #	List \$
MODEL 552							
BOOM							
5521-UP; F7G1-UP							
			P-UB-10	95 mm	130 mm	CTC-1659419	310.12
			P-UB-10	105 mm	150 mm	CTC-2481168	265.36
			Bushing	105 mm		CTC-1140760	72.04
			Bushing	95 mm		CTC-1289260	56.30
CAB TILT							
5521-UP; F7G1-UP							
			P-UB-10	3-1/4	7	CTC-2290334	245.89
SAW TILT							
5521-UP; F7G1-UP							
			P-UB-10	105 mm	150 mm	CTC-2481168	265.36
			Bushing	105 mm		CTC-1140760	72.04
STICK							
5521-UP							
			P-UB-10	100 mm	140 mm	CTC-2159985	168.04
			Bushing	100 mm		CTC-1140757	66.11
5521-UP; F7G1-UP							
			P-UB-10	105 mm	150 mm	CTC-2481168	265.36
			Bushing	105 mm		CTC-1140760	72.04
F7G1-UP							
			P-UB-10	100 mm	140 mm	CTC-2478792	254.17
			Bushing	100 mm		CTC-1140757	66.11
TRACK ADJUSTER							
5521-UP; F7G1-UP							
			TRACK ADJ			CTC-SK100014	116.94
MODEL 552 II							
BOOM							
5521-UP; F7G1-UP							
			P-UB-10	95 mm	130 mm	CTC-1659419	310.12
			P-UB-10	105 mm	150 mm	CTC-2481168	265.36
			Bushing	105 mm		CTC-1140760	72.04
			Bushing	95 mm		CTC-1289260	56.30
CAB TILT							
5521-UP; F7G1-UP							
			P-UB-10	3-1/4	7	CTC-2290334	245.89
SAW TILT							
5521-UP; F7G1-UP							
			P-UB-10	105 mm	150 mm	CTC-2481168	265.36
			Bushing	105 mm		CTC-1140760	72.04
STICK							
5521-UP							
			P-UB-10	100 mm	140 mm	CTC-2159985	168.04
			Bushing	100 mm		CTC-1140757	66.11
5521-UP; F7G1-UP							
			P-UB-10	105 mm	150 mm	CTC-2481168	265.36
			Bushing	105 mm		CTC-1140760	72.04
F7G1-UP							
			P-UB-10	100 mm	140 mm	CTC-2478792	254.17
			Bushing	100 mm		CTC-1140757	66.11
TRACK ADJUSTER							
5521-UP; F7G1-UP							
			TRACK ADJ			CTC-SK100014	116.94

CATERPILLAR®

REPLACEMENT KITS FOR CATERPILLAR® EQUIPMENT

Forestry - Track Feller Bunchers							
APPLICATION	CYL #	Misc-Parts, Instructions, etc.	CODE	ROD	BORE	KIT #	List \$
MODEL 1090							
BOOM							
BZJ1-UP							
			P-UB-10	95 mm	130 mm	CTC-1659419	310.12
			Bushing	95 mm		CTC-1289260	56.30
SAW TILT							
BZJ1-2109							
	2159052		P-UB-10	95 mm	130 mm	CTC-1659419	310.12
	2159052		Bushing	95 mm		CTC-1289260	56.30
	2545457		P-UB-10	95 mm	130 mm	CTC-1659419	310.12
	2545457		Bushing	95 mm		CTC-1289260	56.30
BZJ1-UP							
	2747480		P-UB-10	90 mm	130 mm	CTC-3446336	200.58
	2747480		Bushing	90 mm		CTC-1140758	54.25
STICK							
BZJ1-UP							
			P-UB-10	95 mm	130 mm	CTC-1659419	310.12
			Bushing	95 mm		CTC-1289260	56.30
TRACK ADJUSTER							
BZJ1-UP							
			TRACK ADJ			CTC-SK100013	74.87
MODEL 1190							
BOOM							
BZK1-UP; BZL1-UP							
			P-UB-10	95 mm	130 mm	CTC-1659419	310.12
			Bushing	95 mm		CTC-1289260	56.30
CAB TILT							
BZL1-UP							
			P-UB-10	3-1/4	7	CTC-2290334	245.89
SAW TILT							
BZK1-2159; BZL1-2209							
	2159052		P-UB-10	95 mm	130 mm	CTC-1659419	310.12
	2159052		Bushing	95 mm		CTC-1289260	56.30
	2545457		P-UB-10	95 mm	130 mm	CTC-1659419	310.12
	2545457		Bushing	95 mm		CTC-1289260	56.30
BZK1-UP; BZL206-UP							
	2747480		P-UB-10	90 mm	130 mm	CTC-3446336	200.58
	2747480		Bushing	90 mm		CTC-1140758	54.25
STICK							
BZK1-UP; BZL1-UP							
			P-UB-10	95 mm	130 mm	CTC-1659419	310.12
			Bushing	95 mm		CTC-1289260	56.30
TRACK ADJUSTER							
BZK1-UP; BZL1-UP							
			TRACK ADJ			CTC-SK100013	74.87
MODEL 1190T							
BOOM							
BZK1-UP; BZL1-UP							
			P-UB-10	95 mm	130 mm	CTC-1659419	310.12
			Bushing	95 mm		CTC-1289260	56.30
CAB TILT							
BZL1-UP							
			P-UB-10	3-1/4	7	CTC-2290334	245.89

REPLACEMENT KITS FOR CATERPILLAR® EQUIPMENT

Forestry - Track Feller Bunchers							
APPLICATION	CYL #	Misc-Parts, Instructions, etc.	CODE	ROD	BORE	KIT #	List \$
MODEL 1190T							
SAW TILT							
BZK1-2159; BZL1-2209							
	2159052		P-UB-10	95 mm	130 mm	CTC-1659419	310.12
	2159052		Bushing	95 mm		CTC-1289260	56.30
	2545457		P-UB-10	95 mm	130 mm	CTC-1659419	310.12
	2545457		Bushing	95 mm		CTC-1289260	56.30
BZK1-UP; BZL206-UP							
	2747480		P-UB-10	90 mm	130 mm	CTC-3446336	200.58
	2747480		Bushing	90 mm		CTC-1140758	54.25
STICK							
BZK1-UP; BZL1-UP							
			P-UB-10	95 mm	130 mm	CTC-1659419	310.12
			Bushing	95 mm		CTC-1289260	56.30
TRACK ADJUSTER							
BZK1-UP; BZL1-UP							
			TRACK ADJ			CTC-SK100013	74.87
MODEL 1290T							
BOOM							
BZM1-UP							
			P-UB-10	95 mm	130 mm	CTC-1659419	310.12
			Bushing	95 mm		CTC-1289260	56.30
BZM2260-UP							
			P-UB-10	95 mm	160 mm	CTC-2521191	267.88
			Bushing	95 mm		CTC-6C6093	60.58
CAB TILT							
BZM1-UP							
			P-UB-10	3-1/4	7	CTC-2290334	245.89
SAW TILT							
BZM1-UP							
	2159052		P-UB-10	95 mm	130 mm	CTC-1659419	310.12
	2159052		Bushing	95 mm		CTC-1289260	56.30
	2545457		P-UB-10	95 mm	130 mm	CTC-1659419	310.12
	2545457		Bushing	95 mm		CTC-1289260	56.30
BZM2260-UP							
	2747480		P-UB-10	90 mm	130 mm	CTC-3446336	200.58
	2747480		Bushing	90 mm		CTC-1140758	54.25
STICK							
BZM1-UP							
			P-UB-10	95 mm	130 mm	CTC-1659419	310.12
			Bushing	95 mm		CTC-1289260	56.30
TRACK ADJUSTER							
BZM1-UP							
			TRACK ADJ			CTC-SK100014	116.94
MODEL 1390							
BOOM							
B3F1-UP							
			P-UB-10	95 mm	130 mm	CTC-1659419	310.12
			P-UB-10	105 mm	150 mm	CTC-2481168	265.36
			Bushing	105 mm		CTC-1140760	72.04
			Bushing	95 mm		CTC-1289260	56.30
SAW TILT							
B3F1-UP							
			P-UB-10	105 mm	150 mm	CTC-2481168	265.36
			Bushing	105 mm		CTC-1140760	72.04

REPLACEMENT KITS FOR CATERPILLAR® EQUIPMENT

Forestry - Track Feller Bunchers							
APPLICATION	CYL #	Misc-Parts, Instructions, etc.	CODE	ROD	BORE	KIT #	List \$
MODEL 1390							
STICK							
B3F1-UP							
			P-UB-10	95 mm	130 mm	CTC-1659419	310.12
			P-UB-10	100 mm	140 mm	CTC-2159985	168.04
			P-UB-10	105 mm	150 mm	CTC-2481168	265.36
			Bushing	100 mm		CTC-1140757	66.11
			Bushing	105 mm		CTC-1140760	72.04
			Bushing	95 mm		CTC-1289260	56.30
TRACK ADJUSTER							
B3F1-2309							
			TRACK ADJ			CTC-SK100013	74.87
B3F2310-UP							
			TRACK ADJ			CTC-SK100015	137.95
MODEL 2290							
BOOM							
P2D1-UP							
			P-UB-10	95 mm	130 mm	CTC-1659419	310.12
			Bushing	95 mm		CTC-1289260	56.30
SAW TILT							
P2D1-UP							
			P-UB-10	90 mm	130 mm	CTC-3446336	200.58
			Bushing	90 mm		CTC-1140758	54.25
STICK							
P2D1-UP							
			P-UB-10	95 mm	130 mm	CTC-1659419	310.12
			Bushing	95 mm		CTC-1289260	56.30
TRACK ADJUSTER							
P2D1-UP							
			TRACK ADJ			CTC-SK100013	74.87
MODEL 2390							
BOOM							
P3H250-UP							
			P-UB-10	95 mm	130 mm	CTC-1659419	310.12
			Bushing	95 mm		CTC-1289260	56.30
SAW TILT							
P3H250-UP							
			P-UB-10	90 mm	130 mm	CTC-3446336	200.58
			Bushing	90 mm		CTC-1140758	54.25
STICK							
P3H250-UP							
			P-UB-10	95 mm	130 mm	CTC-SK100003	260.47
TRACK ADJUSTER							
P3H250-UP							
			TRACK ADJ			CTC-SK100013	74.87
MODEL 2391							
BOOM							
P4K1-UP							
			P-UB-10	95 mm	130 mm	CTC-1659419	310.12
			Bushing	95 mm		CTC-1289260	56.30
CAB TILT							
P4K1-UP							
			P-UB-10	3-1/4	7	CTC-2290334	245.89
SAW TILT							
P4K1-UP							
			P-UB-10	90 mm	130 mm	CTC-3446336	200.58
			Bushing	90 mm		CTC-1140758	54.25

REPLACEMENT KITS FOR CATERPILLAR® EQUIPMENT

Forestry - Track Feller Bunchers							
APPLICATION	CYL #	Misc-Parts, Instructions, etc.	CODE	ROD	BORE	KIT #	List \$
MODEL 2391							
STICK							
P4K1-UP							
			P-UB-10	95 mm	130 mm	CTC-SK100003	260.47
TRACK ADJUSTER							
P4K1-UP							
			TRACK ADJ			CTC-SK100013	74.87
MODEL 2491							
BOOM							
P5J1-UP							
			P-UB-10	95 mm	130 mm	CTC-1659419	310.12
			Bushing	95 mm		CTC-1289260	56.30
CAB TILT							
P5J1-UP							
			P-UB-10	3-1/4	7	CTC-2290334	245.89
SAW TILT							
P5J1-UP							
			P-UB-10	90 mm	130 mm	CTC-3446336	200.58
			Bushing	90 mm		CTC-1140758	54.25
STICK							
P5J1-UP							
			P-UB-10	95 mm	130 mm	CTC-1659419	310.12
			Bushing	95 mm		CTC-1289260	56.30
TRACK ADJUSTER							
P5J1-UP							
			TRACK ADJ			CTC-SK100014	116.94
MODEL 2590							
BOOM							
P6B1-UP							
			P-UB-10	95 mm	130 mm	CTC-1659419	310.12
			P-UB-10	105 mm	150 mm	CTC-2481168	265.36
			Bushing	105 mm		CTC-1140760	72.04
			Bushing	95 mm		CTC-1289260	56.30
SAW TILT							
P6B1-UP							
			P-UB-10	105 mm	150 mm	CTC-2481168	265.36
			Bushing	105 mm		CTC-1140760	72.04
STICK							
P6B1-UP							
			P-UB-10	100 mm	140 mm	CTC-2478792	254.17
			P-UB-10	105 mm	150 mm	CTC-2481168	265.36
			Bushing	100 mm		CTC-1140757	66.11
			Bushing	105 mm		CTC-1140760	72.04
TRACK ADJUSTER							
P6B1-UP							
			TRACK ADJ			CTC-SK100014	116.94
MODEL TK711							
BOOM							
1011-UP							
			P-UB-10	95 mm	130 mm	CTC-1659419	310.12
			Bushing	95 mm		CTC-1289260	56.30

REPLACEMENT KITS FOR CATERPILLAR® EQUIPMENT

Forestry - Track Feller Bunchers							
APPLICATION	CYL #	Misc-Parts, Instructions, etc.	CODE	ROD	BORE	KIT #	List \$
MODEL TK711							
SAW TILT							
1011-UP							
	2159052		P-UB-10	95 mm	130 mm	CTC-1659419	310.12
	2159052		Bushing	95 mm		CTC-1289260	56.30
	2545457		P-UB-10	95 mm	130 mm	CTC-1659419	310.12
	2545457		Bushing	95 mm		CTC-1289260	56.30
	2747480		P-UB-10	90 mm	130 mm	CTC-3446336	200.58
	2747480		Bushing	90 mm		CTC-1140758	54.25
STICK							
1011-UP							
			P-UB-10	95 mm	130 mm	CTC-1659419	310.12
			Bushing	95 mm		CTC-1289260	56.30
TRACK ADJUSTER							
1011-UP							
			TRACK ADJ			CTC-SK100013	74.87
MODEL TK721							
BOOM							
1021-UP							
			P-UB-10	95 mm	130 mm	CTC-1659419	310.12
			Bushing	95 mm		CTC-1289260	56.30
SAW TILT							
1021-UP							
	2159052		P-UB-10	95 mm	130 mm	CTC-1659419	310.12
	2159052		Bushing	95 mm		CTC-1289260	56.30
	2545457		P-UB-10	95 mm	130 mm	CTC-1659419	310.12
	2545457		Bushing	95 mm		CTC-1289260	56.30
	2747480		P-UB-10	90 mm	130 mm	CTC-3446336	200.58
	2747480		Bushing	90 mm		CTC-1140758	54.25
STICK							
1021-UP							
			P-UB-10	95 mm	130 mm	CTC-1659419	310.12
			Bushing	95 mm		CTC-1289260	56.30
TRACK ADJUSTER							
1021-UP							
			TRACK ADJ			CTC-SK100013	74.87
MODEL TK722							
BOOM							
1031-UP							
			P-UB-10	95 mm	130 mm	CTC-1659419	310.12
			Bushing	95 mm		CTC-1289260	56.30
CAB TILT							
103445-UP							
			P-UB-10	3-1/4	7	CTC-2290334	245.89
SAW TILT							
1031-UP							
	2159052		P-UB-10	95 mm	130 mm	CTC-1659419	310.12
	2159052		Bushing	95 mm		CTC-1289260	56.30
	2545457		P-UB-10	95 mm	130 mm	CTC-1659419	310.12
	2545457		Bushing	95 mm		CTC-1289260	56.30
	2747480		P-UB-10	90 mm	130 mm	CTC-3446336	200.58
	2747480		Bushing	90 mm		CTC-1140758	54.25
STICK							
1031-UP							
			P-UB-10	95 mm	130 mm	CTC-1659419	310.12
			Bushing	95 mm		CTC-1289260	56.30

CATERPILLAR®

REPLACEMENT KITS FOR CATERPILLAR® EQUIPMENT

Forestry - Track Feller Bunchers							
APPLICATION	CYL #	Misc-Parts, Instructions, etc.	CODE	ROD	BORE	KIT #	List \$
MODEL TK722							
TRACK ADJUSTER							
	1031-UP		TRACK ADJ			CTC-SK100013	74.87
MODEL TK732							
BOOM							
	1041-UP						
			P-UB-10	95 mm	130 mm	CTC-1659419	310.12
			Bushing	95 mm		CTC-1289260	56.30
CAB TILT							
	104545-UP						
			P-UB-10	3-1/4	7	CTC-2290334	245.89
SAW TILT							
	1041-UP						
	2159052		P-UB-10	95 mm	130 mm	CTC-1659419	310.12
	2159052		Bushing	95 mm		CTC-1289260	56.30
	2545457		P-UB-10	95 mm	130 mm	CTC-1659419	310.12
	2545457		Bushing	95 mm		CTC-1289260	56.30
	2747480		P-UB-10	90 mm	130 mm	CTC-3446336	200.58
	2747480		Bushing	90 mm		CTC-1140758	54.25
STICK							
	1041-UP						
			P-UB-10	95 mm	130 mm	CTC-1659419	310.12
			Bushing	95 mm		CTC-1289260	56.30
TRACK ADJUSTER							
	1041-UP						
			TRACK ADJ			CTC-SK100014	116.94
MODEL TK741							
BOOM							
	2021-1204						
			P-UB-10	95 mm	130 mm	CTC-1659419	310.12
			P-UB-10	105 mm	150 mm	CTC-2481168	265.36
			Bushing	105 mm		CTC-1140760	72.04
			Bushing	95 mm		CTC-1289260	56.30
SAW TILT							
	2021-1204						
			P-UB-10	105 mm	150 mm	CTC-2481168	265.36
			Bushing	105 mm		CTC-1140760	72.04
STICK							
	2021-1204						
			P-UB-10	95 mm	130 mm	CTC-1659419	310.12
			P-UB-10	100 mm	140 mm	CTC-2159985	168.04
			P-UB-10	105 mm	150 mm	CTC-2481168	265.36
			Bushing	100 mm		CTC-1140757	66.11
			Bushing	105 mm		CTC-1140760	72.04
			Bushing	95 mm		CTC-1289260	56.30
TRACK ADJUSTER							
	2021-1204						
			TRACK ADJ			CTC-SK100013	74.87
MODEL TK751							
BOOM							
	3011-1114						
			P-UB-10	95 mm	130 mm	CTC-1659419	310.12
			P-UB-10	105 mm	150 mm	CTC-2481168	265.36
			Bushing	105 mm		CTC-1140760	72.04
			Bushing	95 mm		CTC-1289260	56.30

CATERPILLAR®

REPLACEMENT KITS FOR CATERPILLAR® EQUIPMENT

Forestry - Track Feller Bunchers							
APPLICATION	CYL #	Misc-Parts, Instructions, etc.	CODE	ROD	BORE	KIT #	List \$
MODEL TK751							
SAW TILT							
3011-1114							
			P-UB-10	105 mm	150 mm	CTC-2481168	265.36
			Bushing	105 mm		CTC-1140760	72.04
STICK							
3011-1114							
			P-UB-10	95 mm	130 mm	CTC-1659419	310.12
			P-UB-10	100 mm	140 mm	CTC-2159985	168.04
			P-UB-10	105 mm	150 mm	CTC-2481168	265.36
			Bushing	100 mm		CTC-1140757	66.11
			Bushing	105 mm		CTC-1140760	72.04
			Bushing	95 mm		CTC-1289260	56.30
TRACK ADJUSTER							
3011-1114							
			TRACK ADJ			CTC-SK100014	116.94
MODEL TK752							
BOOM							
3021-UP							
			P-UB-10	95 mm	130 mm	CTC-1659419	310.12
			P-UB-10	105 mm	150 mm	CTC-2481168	265.36
			Bushing	105 mm		CTC-1140760	72.04
			Bushing	95 mm		CTC-1289260	56.30
CAB TILT							
3021-1144							
			P-UB-10	3-1/4	7	CTC-2290334	245.89
SAW TILT							
3021-UP							
			P-UB-10	105 mm	150 mm	CTC-2481168	265.36
			Bushing	105 mm		CTC-1140760	72.04
STICK							
3021-UP							
			P-UB-10	95 mm	130 mm	CTC-1659419	310.12
			P-UB-10	100 mm	140 mm	CTC-2159985	168.04
			P-UB-10	105 mm	150 mm	CTC-2481168	265.36
			Bushing	100 mm		CTC-1140757	66.11
			Bushing	105 mm		CTC-1140760	72.04
			Bushing	95 mm		CTC-1289260	56.30
TRACK ADJUSTER							
3021-UP							
			TRACK ADJ			CTC-SK100014	116.94
Forestry - Track Skidder/Grapple Skidders							
APPLICATION	CYL #	Misc-Parts, Instructions, etc.	CODE	ROD	BORE	KIT #	List \$
MODEL 517							
ARCH LIFT							
5WW1-UP							
	1607610		P-UB-10	2-1/2	4-3/4	CTC-2285272	121.83
	6E0366		P-UB-10	2-1/2	4-3/4	CTC-2285272	121.83
BOOM							
5WW1-UP							
	2838423		P-UB-10	70 mm	140 mm	CTC-SK100005	385.53
DOZER ANGLING							
5WW1-UP; 6PW1-UP; 7EH1-UP							
	1006174		P-UB-10	1-3/4	3-1/2	CTC-2401881	98.74
DOZER LIFT							
5WW1-UP; 6PW1-UP; 7EH1-UP							
	6E0365		P-UB-10	2	4-1/4	CTC-2408523	79.02

REPLACEMENT KITS FOR CATERPILLAR® EQUIPMENT

Forestry - Track Skidder/Grapple Skidders							
APPLICATION	CYL #	Misc-Parts, Instructions, etc.	CODE	ROD	BORE	KIT #	List \$
MODEL 517							
DOZER TILT							
5WW1-UP; 6PW1-UP; 7EH1-UP							
	9T9557		P-UB-10	2	4-1/4	CTC-2409939	193.18
GRAPPLE							
5WW1-UP							
	2838424		P-UB-10	70 mm	140 mm	CTC-SK100005	385.53
MODEL 527							
ARCH LIFT							
4NS1-UP							
	1607610		P-UB-10	2-1/2	4-3/4	CTC-2285272	121.83
	6E0366		P-UB-10	2-1/2	4-3/4	CTC-2285272	121.83
BOOM							
4NS1-UP; JSR1-UP							
	2838423		P-UB-10	70 mm	140 mm	CTC-SK100005	385.53
DOZER ANGLING							
2RS1-UP; 3DS1-UP; 4NS1-UP; BDW1-UP; JSR1-UP; PTR1-UP							
	1317192		P-UB-10	2-1/4	4-1/4	CTC-2417579	229.23
PTR1-UP							
			P-UB-10	2	4	CTC-2409538	94.69
DOZER LIFT							
2RS1-UP; 3DS1-UP; 4NS1-UP; BDW1-UP; JSR1-UP; PTR1-UP							
	1418640		P-UB-10	2-1/4	3-3/4	CTC-2350969	228.34
	6E0367		P-UB-10	2-1/4	4-1/2	CTC-3110662	94.49
DOZER TILT							
2RS1-UP; 3DS1-UP; 4NS1-UP; BDW1-UP; JSR1-UP; PTR1-UP							
	9T9558		P-UB-10	2-1/4	4-3/4	CTC-2417580	228.17
GRAPPLE							
4NS1-UP; JSR1-UP							
	2838424		P-UB-10	70 mm	140 mm	CTC-SK100005	385.53
Forestry - Track Skidders							
APPLICATION	CYL #	Misc-Parts, Instructions, etc.	CODE	ROD	BORE	KIT #	List \$
MODEL D5H							
ARCH LIFT							
7EG1-UP							
	6E0366		P-UB-10	2-1/2	4-3/4	CTC-2285272	121.83
DOZER ANGLING							
7EG1-UP							
	9T9273		P-UB-10	2	4	CTC-2339205	59.01
DOZER LIFT							
7EG1-UP							
	6E0367		P-UB-10	2-1/4	4-1/2	CTC-3110662	94.49
DOZER TILT							
7EG1-UP							
	9T9558		P-UB-10	2-1/4	4-3/4	CTC-2417580	228.17
GRAPPLE							
7EG1-UP							
	1030258		P-UB-10	2	4	CTC-8C9353	81.13
	1030972		P-UB-10	2	4-1/2	CTC-8C9438	102.44
	1034254		P-UB-10	3	5	CTC-SK100012	176.10
	8C9412		P-UB-10	2	4	CTC-8C9353	81.13
	8C9429		P-UB-10	2	4-1/2	CTC-8C9438	102.44

CATERPILLAR®

REPLACEMENT KITS FOR CATERPILLAR® EQUIPMENT

Forestry - Tree Harvesters							
APPLICATION	CYL #	Misc-Parts, Instructions, etc.	CODE	ROD	BORE	KIT #	List \$
MODEL 550							
BOOM LIFT							
	7ZN1-UP; SAW1-UP						
	1602678		P-UB-10	2-1/2	4-1/4	CTC-2341951	226.86
PENDULUM ARM							
	7ZN1-UP; SAW1-UP						
	1602676		P-UB-10	2-1/2	4-3/4	CTC-2341948	124.29
	1602677		P-UB-10	2-1/2	4-3/4	CTC-2341948	124.29
STEERING							
	7ZN149-UP; SAW1-UP						
	1602675		P-UB-10	2	3-1/2	CTC-2281778	106.58
STICK							
	7ZN153-UP; SAW1-UP						
	1717597		P-UB-10	2-1/2	5-1/2	CTC-SK100009	100.66
MODEL 550B							
BOOM LIFT							
	7ZN1-UP; SAW1-UP						
	1602678		P-UB-10	2-1/2	4-1/4	CTC-2341951	226.86
PENDULUM ARM							
	7ZN1-UP; SAW1-UP						
	1602676		P-UB-10	2-1/2	4-3/4	CTC-2341948	124.29
	1602677		P-UB-10	2-1/2	4-3/4	CTC-2341948	124.29
STEERING							
	7ZN149-UP; SAW1-UP						
	1602675		P-UB-10	2	3-1/2	CTC-2281778	106.58
STICK							
	7ZN153-UP; SAW1-UP						
	1717597		P-UB-10	2-1/2	5-1/2	CTC-SK100009	100.66
MODEL 560B							
BOOM LIFT							
	TRA1-UP						
			P-UB-10	2-1/2	4-1/4	CTC-2341951	226.86
PENDULUM ARM							
	TRA1-UP						
			P-UB-10	2-1/2	4-3/4	CTC-2341948	124.29
STEERING							
	TRA1-UP						
			P-UB-10	2	3-1/2	CTC-2281778	106.58
STICK							
	TRA1-UP						
			P-UB-10	2-1/2	5-1/2	CTC-SK100009	100.66
MODEL 570							
BOOM LIFT							
	4XR1-UP; CKG1-UP						
	1602678		P-UB-10	2-1/2	4-1/4	CTC-2341951	226.86
PENDULUM ARM							
	4XR1-UP; CKG1-UP						
	1602676		P-UB-10	2-1/2	4-3/4	CTC-2341948	124.29
	1602677		P-UB-10	2-1/2	4-3/4	CTC-2341948	124.29
STEERING							
	4XR198-UP; CKG1-UP						
	1602675		P-UB-10	2	3-1/2	CTC-2281778	106.58
STICK							
	4XR198-UP; CKG1-UP						
	1717597		P-UB-10	2-1/2	5-1/2	CTC-SK100009	100.66
	2022488		P-UB-10	2-1/2	5-1/2	CTC-SK100009	100.66

CATERPILLAR®

REPLACEMENT KITS FOR CATERPILLAR® EQUIPMENT

Forestry - Tree Harvesters							
APPLICATION	CYL #	Misc-Parts, Instructions, etc.	CODE	ROD	BORE	KIT #	List \$
MODEL 570B							
BOOM LIFT							
4XR1-UP; CKG1-UP							
	1602678		P-UB-10	2-1/2	4-1/4	CTC-2341951	226.86
PENDULUM ARM							
4XR1-UP; CKG1-UP							
	1602676		P-UB-10	2-1/2	4-3/4	CTC-2341948	124.29
	1602677		P-UB-10	2-1/2	4-3/4	CTC-2341948	124.29
STEERING							
4XR198-UP; CKG1-UP							
	1602675		P-UB-10	2	3-1/2	CTC-2281778	106.58
STICK							
4XR198-UP; CKG1-UP							
	1717597		P-UB-10	2-1/2	5-1/2	CTC-SK100009	100.66
	2022488		P-UB-10	2-1/2	5-1/2	CTC-SK100009	100.66
MODEL 580							
BOOM LIFT							
7CN1-UP; CLT1-UP							
	1602678		P-UB-10	2-1/2	4-1/4	CTC-2341951	226.86
PENDULUM ARM							
7CN1-UP; CLT1-UP							
	1602676		P-UB-10	2-1/2	4-3/4	CTC-2341948	124.29
	1602677		P-UB-10	2-1/2	4-3/4	CTC-2341948	124.29
STEERING							
7CN173-UP; CLT1-UP							
	1602675		P-UB-10	2	3-1/2	CTC-2281778	106.58
STICK							
7CN179-UP; CLT1-UP							
	1717597		P-UB-10	2-1/2	5-1/2	CTC-SK100009	100.66
	2022488		P-UB-10	2-1/2	5-1/2	CTC-SK100009	100.66
MODEL 580B							
BOOM LIFT							
7CN1-UP; CLT1-UP							
	1602678		P-UB-10	2-1/2	4-1/4	CTC-2341951	226.86
PENDULUM ARM							
7CN1-UP; CLT1-UP							
	1602676		P-UB-10	2-1/2	4-3/4	CTC-2341948	124.29
	1602677		P-UB-10	2-1/2	4-3/4	CTC-2341948	124.29
STEERING							
7CN173-UP; CLT1-UP							
	1602675		P-UB-10	2	3-1/2	CTC-2281778	106.58
STICK							
7CN179-UP; CLT1-UP							
	1717597		P-UB-10	2-1/2	5-1/2	CTC-SK100009	100.66
	2022488		P-UB-10	2-1/2	5-1/2	CTC-SK100009	100.66
Forestry - Wheel Feller Bunchers							
APPLICATION	CYL #	Misc-Parts, Instructions, etc.	CODE	ROD	BORE	KIT #	List \$
MODEL 533							
LIFT							
CDR1-UP							
			P-UB-10	2-1/2	4	CTC-SK100007	62.04
STEERING							
CDR1-UP							
			P-UB-10	1-3/4	3	CTC-2275350	45.88

CATERPILLAR®

REPLACEMENT KITS FOR CATERPILLAR® EQUIPMENT

Forestry - Wheel Feller Bunchers							
APPLICATION	CYL #	Misc-Parts, Instructions, etc.	CODE	ROD	BORE	KIT #	List \$
MODEL 533							
TILT							
CDR1-UP							
	2156717		P-UB-10	2-1/2	4	CTC-SK100007	62.04
	2249878		P-UB-10,12	2-1/2	4	CTC-SK100008	415.16
MODEL 543							
LIFT							
ASJ1-UP							
			P-UB-10	2-1/2	4	CTC-SK100007	62.04
STEERING							
ASJ1-UP							
			P-UB-10	1-3/4	3	CTC-2275350	45.88
TILT							
ASJ1-UP							
	2156717		P-UB-10	2-1/2	4	CTC-SK100007	62.04
	2249878		P-UB-10,12	2-1/2	4	CTC-SK100008	415.16
MODEL 553C							
LIFT							
PGR1-UP; W531-UP							
	3644635		P-UB-1	2-1/2		CTC-3770612	162.47
	3644635		N-N-14		4	CTC-3770613	74.87
SC-57 CENTER POST SAW ACCUMULATOR ARM							
A271-UP; PAW1-UP							
	3306045		P-UB-1	2		CTC-3469028	77.74
	3306045		N-N-14		3-1/2	CTC-3469030	64.92
SC-57 CENTER POST SAW GRAPPLE ARM							
A271-UP; PAW1-UP							
	3306045		P-UB-1	2		CTC-3469028	77.74
	3306045		N-N-14		3-1/2	CTC-3469030	64.92
SH-56B BUNCHING SAW ACCUMULATOR ARM							
A821-UP; PYW1-UP							
	3743574		P-UB-1	2		CTC-3707995	91.17
	3743574		N-N-14		3-1/2	CTC-3469030	64.92
SH-56B BUNCHING SAW GRAPPLE ARM							
A821-UP; PYW1-UP							
	3748220		P-UB-1	2		CTC-3707995	91.17
	3748220		N-N-14		3-1/2	CTC-3469030	64.92
SS-56 FELLING SAW ACCUMULATOR ARM							
1111-UP							
	4351313		P-UB-1	2		CTC-3469028	77.74
	4351313		N-N-14		3-1/2	CTC-3469030	64.92
SS-56 FELLING SAW GRAPPLE ARM							
1111-UP							
	4351313		P-UB-1	2		CTC-3469028	77.74
	4351313		N-N-14		3-1/2	CTC-3469030	64.92
SS-56 FELLING SAW GUARD							
1111-UP							
	4351461		P-UB-1	1-1/2		CTC-4351466	95.36
STEERING							
PGR1-UP; W531-UP							
	3644636		P-UB-1	2		CTC-3707995	91.17
	3644636		N-N-14		3-1/2	CTC-4306989	172.47
TILT							
PGR1-UP; W531-UP							
	3644634		P-UB-1	2-1/2		CTC-3770612	162.47
	3644634		N-N-14		4	CTC-3770613	74.87

REPLACEMENT KITS FOR CATERPILLAR® EQUIPMENT

Forestry - Wheel Feller Bunchers							
APPLICATION	CYL #	Misc-Parts, Instructions, etc.	CODE	ROD	BORE	KIT #	List \$
MODEL 563C							
LIFT							
JCB1-UP; W631-UP							
	3644635		P-UB-1	2-1/2		CTC-3770612	162.47
	3644635		N-N-14		4	CTC-3770613	74.87
SC-57 CENTER POST SAW ACCUMULATOR ARM							
A271-UP; PAW1-UP							
	3306045		P-UB-1	2		CTC-3469028	77.74
	3306045		N-N-14		3-1/2	CTC-3469030	64.92
SC-57 CENTER POST SAW GRAPPLE ARM							
A271-UP; PAW1-UP							
	3306045		P-UB-1	2		CTC-3469028	77.74
	3306045		N-N-14		3-1/2	CTC-3469030	64.92
SH-56B BUNCHING SAW ACCUMULATOR ARM							
A821-UP; PYW1-UP							
	3743574		P-UB-1	2		CTC-3707995	91.17
	3743574		N-N-14		3-1/2	CTC-3469030	64.92
SH-56B BUNCHING SAW GRAPPLE ARM							
A821-UP; PYW1-UP							
	3748220		P-UB-1	2		CTC-3707995	91.17
	3748220		N-N-14		3-1/2	CTC-3469030	64.92
SS-56 FELLING SAW ACCUMULATOR ARM							
1111-UP							
	4351313		P-UB-1	2		CTC-3469028	77.74
	4351313		N-N-14		3-1/2	CTC-3469030	64.92
SS-56 FELLING SAW GRAPPLE ARM							
1111-UP							
	4351313		P-UB-1	2		CTC-3469028	77.74
	4351313		N-N-14		3-1/2	CTC-3469030	64.92
SS-56 FELLING SAW GUARD							
1111-UP							
	4351461		P-UB-1	1-1/2		CTC-4351466	95.36
STEERING							
JCB1-UP; W631-UP							
	3644636		P-UB-1	2		CTC-3707995	91.17
	3644636		N-N-14		3-1/2	CTC-4306989	172.47
TILT							
JCB1-UP; W631-UP							
	3644634		P-UB-1	2-1/2		CTC-3770612	162.47
	3644634		N-N-14		4	CTC-3770613	74.87
MODEL 563D							
HFW221 FELLING SAW ACCUMULATOR ARM							
HW31-UP							
	3306045		P-UB-1	2		CTC-3469028	77.74
	3306045		N-N-14		3-1/2	CTC-3469030	64.92
HFW221 FELLING SAW GRAPPLE ARM							
HW31-UP							
	3306045		P-UB-1	2		CTC-3469028	77.74
	3306045		N-N-14		3-1/2	CTC-3469030	64.92
HFW222-SC FELLING SAW ACCUMULATOR ARM							
HW21-UP							
	4351313		P-UB-1	2		CTC-3469028	77.74
	4351313		N-N-14		3-1/2	CTC-3469030	64.92
HFW222-SC FELLING SAW GRAPPLE ARM							
HW21-UP							
	4351313		P-UB-1	2		CTC-3469028	77.74
	4351313		N-N-14		3-1/2	CTC-3469030	64.92

CATERPILLAR®

REPLACEMENT KITS FOR CATERPILLAR® EQUIPMENT

Forestry - Wheel Feller Bunchers							
APPLICATION	CYL #	Misc-Parts, Instructions, etc.	CODE	ROD	BORE	KIT #	List \$
MODEL 563D							
HFV222-SC FELLING SAW GUARD							
HW21-UP							
	4351461		P-UB-1	1-1/2		CTC-4351466	95.36
HFV232 BUNCHING SAW COLLECTOR ARM							
HH81000-UP							
	5764831		P-UB-10	60 mm	90 mm	CTC-5037834	157.25
HH81-999							
	5326118		P-UB-10	60 mm	90 mm	CTC-5037834	157.25
HH81-UP							
	4988415		P-UB-10	60 mm	90 mm	CTC-5037834	157.25
HFV232 BUNCHING SAW GRAPPLE ARM							
HH81000-UP							
	5764831		P-UB-10	60 mm	90 mm	CTC-5037834	157.25
HH81-999							
	5326118		P-UB-10	60 mm	90 mm	CTC-5037834	157.25
HH81-UP							
	4988415		P-UB-10	60 mm	90 mm	CTC-5037834	157.25
LIFT							
D631-UP							
	3644635		P-UB-1	2-1/2		CTC-3770612	162.47
	3644635		N-N-14		4	CTC-3770613	74.87
STEERING							
D631-UP							
	3644636		P-UB-1	2		CTC-3707995	91.17
	3644636		N-N-14		3-1/2	CTC-4306989	172.47
TILT							
D631-UP							
	3644634		P-UB-1	2-1/2		CTC-3770612	162.47
	3644634		N-N-14		4	CTC-3770613	74.87
MODEL 573C							
LIFT							
RJT1-UP; W731-UP							
	3644635		P-UB-1	2-1/2		CTC-3770612	162.47
	3644635		N-N-14		4	CTC-3770613	74.87
SC-57 CENTER POST SAW ACCUMULATOR ARM							
A271-UP; PAW1-UP							
	3306045		P-UB-1	2		CTC-3469028	77.74
	3306045		N-N-14		3-1/2	CTC-3469030	64.92
SC-57 CENTER POST SAW GRAPPLE ARM							
A271-UP; PAW1-UP							
	3306045		P-UB-1	2		CTC-3469028	77.74
	3306045		N-N-14		3-1/2	CTC-3469030	64.92
SH-56B BUNCHING SAW ACCUMULATOR ARM							
A821-UP; PYW1-UP							
	3743574		P-UB-1	2		CTC-3707995	91.17
	3743574		N-N-14		3-1/2	CTC-3469030	64.92
SH-56B BUNCHING SAW GRAPPLE ARM							
A821-UP; PYW1-UP							
	3748220		P-UB-1	2		CTC-3707995	91.17
	3748220		N-N-14		3-1/2	CTC-3469030	64.92
SS-56 FELLING SAW ACCUMULATOR ARM							
1111-UP							
	4351313		P-UB-1	2		CTC-3469028	77.74
	4351313		N-N-14		3-1/2	CTC-3469030	64.92

REPLACEMENT KITS FOR CATERPILLAR® EQUIPMENT

Forestry - Wheel Feller Bunchers							
APPLICATION	CYL #	Misc-Parts, Instructions, etc.	CODE	ROD	BORE	KIT #	List \$
MODEL 573C							
SS-56 FELLING SAW GRAPPLE ARM							
1111-UP							
4351313			P-UB-1	2		CTC-3469028	77.74
4351313			N-N-14		3-1/2	CTC-3469030	64.92
SS-56 FELLING SAW GUARD							
1111-UP							
4351461			P-UB-1	1-1/2		CTC-4351466	95.36
STEERING							
RJT1-UP; W731-UP							
3644636			P-UB-1	2		CTC-3707995	91.17
3644636			N-N-14		3-1/2	CTC-4306989	172.47
TILT							
RJT1-UP; W731-UP							
3644634			P-UB-1	2-1/2		CTC-3770612	162.47
3644634			N-N-14		4	CTC-3770613	74.87
MODEL 573D							
HFW221 FELLING SAW ACCUMULATOR ARM							
HW31-UP							
3306045			P-UB-1	2		CTC-3469028	77.74
3306045			N-N-14		3-1/2	CTC-3469030	64.92
HFW221 FELLING SAW GRAPPLE ARM							
HW31-UP							
3306045			P-UB-1	2		CTC-3469028	77.74
3306045			N-N-14		3-1/2	CTC-3469030	64.92
HFW222-SC FELLING SAW ACCUMULATOR ARM							
HW21-UP							
4351313			P-UB-1	2		CTC-3469028	77.74
4351313			N-N-14		3-1/2	CTC-3469030	64.92
HFW222-SC FELLING SAW GRAPPLE ARM							
HW21-UP							
4351313			P-UB-1	2		CTC-3469028	77.74
4351313			N-N-14		3-1/2	CTC-3469030	64.92
HFW222-SC FELLING SAW GUARD							
HW21-UP							
4351461			P-UB-1	1-1/2		CTC-4351466	95.36
HFW232 BUNCHING SAW COLLECTOR ARM							
HH81000-UP							
5764831			P-UB-10	60 mm	90 mm	CTC-5037834	157.25
HH81-999							
5326118			P-UB-10	60 mm	90 mm	CTC-5037834	157.25
HH81-UP							
4988415			P-UB-10	60 mm	90 mm	CTC-5037834	157.25
HFW232 BUNCHING SAW GRAPPLE ARM							
HH81000-UP							
5764831			P-UB-10	60 mm	90 mm	CTC-5037834	157.25
HH81-999							
5326118			P-UB-10	60 mm	90 mm	CTC-5037834	157.25
HH81-UP							
4988415			P-UB-10	60 mm	90 mm	CTC-5037834	157.25
LIFT							
D731-UP							
3644635			P-UB-1	2-1/2		CTC-3770612	162.47
3644635			N-N-14		4	CTC-3770613	74.87

REPLACEMENT KITS FOR CATERPILLAR® EQUIPMENT

Forestry - Wheel Feller Bunchers							
APPLICATION	CYL #	Misc-Parts, Instructions, etc.	CODE	ROD	BORE	KIT #	List \$
MODEL 573D							
STEERING							
D731-UP							
	3644636		P-UB-1	2		CTC-3707995	91.17
	3644636		N-N-14		3-1/2	CTC-4306989	172.47
TILT							
D731-UP							
	3644634		P-UB-1	2-1/2		CTC-3770612	162.47
	3644634		N-N-14		4	CTC-3770613	74.87
MODEL TK370							
LIFT							
WBD1-UP							
			P-UB-10	2-1/2	4	CTC-SK100007	62.04
STEERING							
WBD1-UP							
			P-UB-10	1-3/4	3	CTC-2275350	45.88
TILT							
WBD1-UP							
			P-UB-10,12	2-1/2	4	CTC-SK100008	415.16
MODEL TK380							
LIFT							
WBE1-UP							
			P-UB-10	2-1/2	4	CTC-SK100007	62.04
STEERING							
WBE1-UP							
			P-UB-10	1-3/4	3	CTC-2275350	45.88
TILT							
WBE1-UP							
			P-UB-10,12	2-1/2	4	CTC-SK100008	415.16
Forestry - Wheel Skidders							
APPLICATION	CYL #	Misc-Parts, Instructions, etc.	CODE	ROD	BORE	KIT #	List \$
MODEL 515							
LIFT							
4LR1-UP							
	1117951		P-UB-10	2	4	CTC-2409538	94.69
	1397547		P-UB-10	2	4	CTC-2409538	94.69
STEERING							
4LR1-UP							
	1117474		P-UB-10	1-3/4	3	CTC-2275350	45.88
	1117474		P-UB-10	1-3/4	3	CTC-2405524	166.25
	1117475		P-UB-10	1-3/4	3	CTC-2275350	45.88
	1117475		P-UB-10	1-3/4	3	CTC-2405524	166.25
MODEL 525							
ARCH							
3KZ1-UP							
			P-UB-10	2	4	CTC-2618566	98.75
BOOM							
3KZ1-UP							
			P-UB-10	2	4	CTC-2618566	98.75
GRAPPLE							
1DN1-UP							
	1030258		P-UB-10	2	4	CTC-8C9353	81.13
LIFT							
1DN1-UP							
	1117951		P-UB-10	2	4	CTC-2409538	94.69
	1397547		P-UB-10	2	4	CTC-2409538	94.69
3KZ1-UP							
	1600492		P-UB-10	2-1/4	4	CTC-2418921	101.56

REPLACEMENT KITS FOR CATERPILLAR® EQUIPMENT

Forestry - Wheel Skidders							
APPLICATION	CYL #	Misc-Parts, Instructions, etc.	CODE	ROD	BORE	KIT #	List \$
MODEL 525							
STEERING							
1DN1-UP							
	1117474		P-UB-10	1-3/4	3	CTC-2405524	166.25
	1117475		P-UB-10	1-3/4	3	CTC-2405524	166.25
1DN1-UP; 3KZ1-1039							
	1117474		P-UB-10	1-3/4	3	CTC-2275350	45.88
	1117475		P-UB-10	1-3/4	3	CTC-2275350	45.88
	1685239		P-UB-10	1-3/4	3	CTC-2275350	45.88
	1685241		P-UB-10	1-3/4	3	CTC-2275350	45.88
3KZ1040-UP							
			P-UB-10	2	3	CTC-2620981	127.90
MODEL 525B							
ARCH							
3KZ1-UP							
			P-UB-10	2	4	CTC-2618566	98.75
BOOM							
3KZ1-UP							
			P-UB-10	2	4	CTC-2618566	98.75
GRAPPLE							
1DN1-UP							
	1030258		P-UB-10	2	4	CTC-8C9353	81.13
LIFT							
1DN1-UP							
	1117951		P-UB-10	2	4	CTC-2409538	94.69
	1397547		P-UB-10	2	4	CTC-2409538	94.69
3KZ1-UP							
	1600492		P-UB-10	2-1/4	4	CTC-2418921	101.56
STEERING							
1DN1-UP							
	1117474		P-UB-10	1-3/4	3	CTC-2405524	166.25
	1117475		P-UB-10	1-3/4	3	CTC-2405524	166.25
1DN1-UP; 3KZ1-1039							
	1117474		P-UB-10	1-3/4	3	CTC-2275350	45.88
	1117475		P-UB-10	1-3/4	3	CTC-2275350	45.88
	1685239		P-UB-10	1-3/4	3	CTC-2275350	45.88
	1685241		P-UB-10	1-3/4	3	CTC-2275350	45.88
3KZ1040-UP							
			P-UB-10	2	3	CTC-2620981	127.90
MODEL 525C							
ARCH							
5251-UP							
			P-UB-10	2	4	CTC-2618566	98.75
BOOM							
5251-UP							
			P-UB-10	2	4	CTC-2618566	98.75
GRAPPLE							
5251-UP							
	2781194		P-UB-10	50 mm	100 mm	CTC-2976850	140.49
	2781765		P-UB-10	65 mm	115 mm	CTC-2976851	263.60
LIFT							
5251-UP							
			P-UB-10	2-1/4	4	CTC-2418921	101.56
STEERING							
5251-UP							
			P-UB-10	2	3-1/2	CTC-2281778	106.58

CATERPILLAR®

REPLACEMENT KITS FOR CATERPILLAR® EQUIPMENT

Forestry - Wheel Skidders							
APPLICATION	CYL #	Misc-Parts, Instructions, etc.	CODE	ROD	BORE	KIT #	List \$
MODEL 525D							
ARCH LH	2L51-UP; GKP1-UP						
	4170069		P-UB-10	2	4	CTC-2618566	98.75
ARCH RH	2L51-UP; GKP1-UP						
	4170070		P-UB-10	2	4	CTC-2618566	98.75
BOOM	2L51-UP; GKP1-UP						
	4168963		P-UB-10	2	4	CTC-2618566	98.75
LIFT	2L51-UP; GKP1-UP						
	3799122		P-UB-10	2-1/4	4	CTC-SK100196	116.95
STEERING	2L51-UP; GKP1-UP						
	3857264		P-UB-10	2	3-1/2	CTC-3769011	89.39
TILT	2L51-UP; GKP1-UP						
	3752714		P-U-10	1-1/4	2	CTC-4555441	37.25
TONG	2L51-UP; GKP1-UP						
	4251756		P-UB-10	65 mm	115 mm	CTC-3247165	231.08
MODEL 535B							
ARCH	AAE1-UP						
	2003202		P-UB-10	2	4	CTC-2618566	98.75
	2003204		P-UB-10	2	4	CTC-2618566	98.75
BOOM	AAE1-UP						
	2003195		P-UB-10	2	4	CTC-2618566	98.75
LIFT	AAE1-UP						
	1600492		P-UB-10	2-1/4	4	CTC-2418921	101.56
STEERING	AAE1-613						
	1685239		P-UB-10	1-3/4	3	CTC-2275350	45.88
	1685241		P-UB-10	1-3/4	3	CTC-2275350	45.88
	AAE614-UP						
			P-UB-10	2	3	CTC-2620981	127.90
MODEL 535C							
ARCH	5351-UP						
			P-UB-10	2	4	CTC-2618566	98.75
BOOM	5351-UP						
			P-UB-10	2	4	CTC-2618566	98.75
GRAPPLE	5351-UP						
	2781765		P-UB-10	65 mm	115 mm	CTC-2976851	263.60
LIFT	5351-UP						
			P-UB-10	2-1/4	4	CTC-2418921	101.56
STEERING	5351-UP						
			P-UB-10	2	3-1/2	CTC-2281778	106.58

REPLACEMENT KITS FOR CATERPILLAR® EQUIPMENT

Forestry - Wheel Skidders							
APPLICATION	CYL #	Misc-Parts, Instructions, etc.	CODE	ROD	BORE	KIT #	List \$
MODEL 535D							
ARCH LH	3L51-643; MTP1-574						
	4170069		P-UB-10	2	4	CTC-2618566	98.75
ARCH RH	3L51-643; MTP1-574						
	4170070		P-UB-10	2	4	CTC-2618566	98.75
BLADE LIFT	3L51-UP; MTP1-UP						
	3799122		P-UB-10	2-1/4	4	CTC-SK100196	116.95
BOOM	3L51-643; MTP1-574						
	4168963		P-UB-10	2	4	CTC-2618566	98.75
CAB TILT	3L51-UP; MTP1-UP						
	3752714		P-U-10	1-1/4	2	CTC-4555441	37.25
STEERING	3L51-UP; MTP1-UP						
	3857264		P-UB-10	2	3-1/2	CTC-3769011	89.39
TONG	3L51-UP; MTP1-UP						
	4251756		P-UB-10	65 mm	115 mm	CTC-3247165	231.08
MODEL 545							
ARCH	2FZ1-UP						
	2003202		P-UB-10	2	4	CTC-2618566	98.75
	2003204		P-UB-10	2	4	CTC-2618566	98.75
BOOM	2FZ1-UP						
	2003195		P-UB-10	2	4	CTC-2618566	98.75
LIFT	2FZ1-UP						
	1600492		P-UB-10	2-1/4	4	CTC-2418921	101.56
STEERING	2FZ1-UP						
	1650176		P-UB-10	2	3-1/2	CTC-2281778	106.58
	1650179		P-UB-10	2	3-1/2	CTC-2281778	106.58
MODEL 545C							
ARCH	5451-UP						
			P-UB-10	2	4	CTC-2618566	98.75
BOOM	5451-UP						
			P-UB-10	2	4	CTC-2618566	98.75
LIFT	5451-UP						
			P-UB-10	2-1/4	4	CTC-2418921	101.56
STEERING	5451-UP						
			P-UB-10	2	3-1/2	CTC-2281778	106.58
MODEL 545D							
ARCH LH	4L51-198; KGP1-344						
	4170069		P-UB-10	2	4	CTC-2618566	98.75
ARCH RH	4L51-198; KGP1-344						
	4170070		P-UB-10	2	4	CTC-2618566	98.75

CATERPILLAR®

REPLACEMENT KITS FOR CATERPILLAR® EQUIPMENT

Forestry - Wheel Skidders							
APPLICATION	CYL #	Misc-Parts, Instructions, etc.	CODE	ROD	BORE	KIT #	List \$
MODEL 545D							
BLADE LIFT							
	4L51-UP; KGP1-UP						
	3799122		P-UB-10	2-1/4	4	CTC-SK100196	116.95
BOOM							
	4L51-198; KGP1-344						
	4168963		P-UB-10	2	4	CTC-2618566	98.75
CAB TILT							
	4L51-UP; KGP1-UP						
	3752714		P-U-10	1-1/4	2	CTC-4555441	37.25
STEERING							
	4L51-UP; KGP1-UP						
	3857264		P-UB-10	2	3-1/2	CTC-3769011	89.39
TONG							
	4L51-UP; KGP1-UP						
	4161346		P-UB-10	65 mm	130 mm	CTC-SK100219	150.73
Integrated Toolcarriers							
APPLICATION	CYL #	Misc-Parts, Instructions, etc.	CODE	ROD	BORE	KIT #	List \$
MODEL IT12F							
LIFT							
	6E6398		P-UB-10	2-1/4	3-1/2	CTC-1859503	188.66
	9T5152		P-UB-10	2-1/4	4	CTC-1859527	157.22
STEERING							
	4T8579		I-U-3	3/4	1-1/2	CTC-1791715	20.72
	9T5729		I-O-3	3/4	1-1/2	CTC-1791749	7.41
	9T7209	Head# 6E4940	P-UB-10	1-1/2	2-3/4	CTC-1361599	139.86
	9T7209	Head# 9T2542	P-UB-10	1-1/2	2-3/4	CTC-7X2736	141.51
	9T7210	Head# 6E4940	P-UB-10	1-1/2	2-3/4	CTC-1361599	139.86
	9T7210	Head# 9T2542	P-UB-10	1-1/2	2-3/4	CTC-7X2736	141.51
STEERING LH							
	6E5900	Head# 1515349	P-UB-10	1-3/4	2-3/4	CTC-1539053	190.69
	6E5900	Head# 6E4941	P-UB-10	1-3/4	2-3/4	CTC-1857024	75.50
	6E5973		P-UB-10	1-1/2	2-3/4	CTC-1361599	139.86
STEERING RH							
	6E5972	Head# 1515349	P-UB-10	1-3/4	2-3/4	CTC-1539053	190.69
	6E5972	Head# 6E4941	P-UB-10	1-3/4	2-3/4	CTC-1857024	75.50
	6E5985		P-UB-10	1-1/2	2-3/4	CTC-1361599	139.86
TILT							
	9T5151		P-UB-10	2	3-1/2	CTC-1857674	141.24
MODEL IT14F							
LIFT							
	6E6398		P-UB-10	2-1/4	3-1/2	CTC-1859503	188.66
STEERING							
	4T8579		I-U-3	3/4	1-1/2	CTC-1791715	20.72
	9T5729		I-O-3	3/4	1-1/2	CTC-1791749	7.41
STEERING LH							
	6E5900	Head# 1515349	P-UB-10	1-3/4	2-3/4	CTC-1539053	190.69
	6E5900	Head# 6E4941	P-UB-10	1-3/4	2-3/4	CTC-1857024	75.50
STEERING RH							
	6E5972	Head# 1515349	P-UB-10	1-3/4	2-3/4	CTC-1539053	190.69
	6E5972	Head# 6E4941	P-UB-10	1-3/4	2-3/4	CTC-1857024	75.50
MODEL IT14G							
FK							
	1491381		P-UB-10	2	3-1/2	CTC-1857674	141.24

REPLACEMENT KITS FOR CATERPILLAR® EQUIPMENT

Integrated Toolcarriers							
APPLICATION	CYL #	Misc-Parts, Instructions, etc.	CODE	ROD	BORE	KIT #	List \$
MODEL IT14G							
LIFT							
	1116244		P-UB-10	2-1/4	3-1/2	CTC-1859503	188.66
	1314401		P-UB-10	2-1/4	3-1/2	CTC-1859503	188.66
	1314402		P-UB-10	2-1/4	3-1/2	CTC-1859503	188.66
STEERING							
	1044187		P-UB-10	1-1/2	2-1/2	CTC-1856601	71.02
	4T8579		I-U-3	3/4	1-1/2	CTC-1791715	20.72
	9T8823		I-U-3	1	2	CTC-9T0418	125.53
MODEL IT24F							
LIFT							
	1007020	Head# 1206679	P-UB-10	2-1/2	4-3/4	CTC-1361131	196.39
	1007020	Head# 9T3609	P-UB-10	2-1/2	4-3/4	CTC-1864381	213.10
	1341379		P-UB-10	2-1/2	4-3/4	CTC-1361131	196.39
	1342327		P-UB-10	2-1/4	4	CTC-1546526	196.04
	9T3937		P-UB-10	2-1/4	4	CTC-1546526	196.04
	9T8823		I-U-3	1	2	CTC-9T0418	125.53
STEERING							
	9T2637		P-UB-10	1-1/2	2-3/4	CTC-1361599	139.86
TILT							
	1107845	Head# 1206679	P-UB-10	2-1/2	4-1/2	CTC-1113300	187.32
	1107845	Head# 9T3609	P-UB-10	2-1/2	4-1/2	CTC-1469860	209.92
	1262492		P-UB-10	2	4	CTC-1113302	163.17
	1262492		P-UB-10	2	4	CTC-1857688	95.52
	1341380		P-UB-10	2	4	CTC-1857688	95.52
	1341381		P-UB-10	2	4	CTC-1857688	95.52
	1342671		P-UB-10	2-1/2	4-1/2	CTC-1113300	187.32
	6E1114		I-U-3	1	2	CTC-9T0418	125.53
	6E4651	Head# 1206679	P-UB-10	2-1/2	4-1/2	CTC-1113300	187.32
	6E4651	Head# 9T3609	P-UB-10	2-1/2	4-1/2	CTC-1469860	209.92
	9T7026		P-UB-10	2	4	CTC-1857688	95.52
MODEL IT28F							
LIFT							
	1341384		P-UB-10	2-1/2	4-3/4	CTC-1361131	196.39
	9T6788	Head# 1206679	P-UB-10	2-1/2	4-3/4	CTC-1361131	196.39
	9T6788	Head# 9T3609	P-UB-10	2-1/2	4-3/4	CTC-1864381	213.10
	9T8823		I-U-3	1	2	CTC-9T0418	125.53
PIN PULLER							
	6E5393		I-U-3	1	2	CTC-9T0418	125.53
STEERING							
	6E1114		I-U-3	1	2	CTC-9T0418	125.53
	9T6646		P-UB-10	1-1/2	2-3/4	CTC-1361599	139.86
TILT							
	1341385		P-UB-10	2	4	CTC-1857688	95.52
	9T6929		P-UB-10	2	4	CTC-1857688	95.52
MODEL IT28G							
LIFT							
	1191060		P-UB-10	2-1/2	4-3/4	CTC-1361131	196.39
	6E1114		I-U-3	1	2	CTC-9T0418	125.53
	9T8823		I-U-3	1	2	CTC-9T0418	125.53
STEERING LH							
	1250374		P-UB-10	1-1/2	2-3/4	CTC-1361599	139.86
STEERING RH							
	1250373		P-UB-10	1-1/2	2-3/4	CTC-1856596	63.53
TILT							
	1191852		P-UB-10	2	4	CTC-1857688	95.52
	1273020		P-UB-10	2	4	CTC-1857688	95.52

CATERPILLAR®

REPLACEMENT KITS FOR CATERPILLAR® EQUIPMENT

Integrated Toolcarriers							
APPLICATION	CYL #	Misc-Parts, Instructions, etc.	CODE	ROD	BORE	KIT #	List \$
MODEL IT38F							
LIFT	1148131		P-UB-10	3	4-3/4	CTC-1915030	222.21
STEERING	1050094		P-UB-10	1-3/4	3	CTC-1857025	72.85
TILT	1156963		P-UB-10	2-3/4	4-1/2	CTC-1933117	153.01
MODEL IT38G							
LIFT	1148131		P-UB-10	3	4-3/4	CTC-1570288	223.98
	1CW1-UP; 7BS1-UP						
	1148131		P-UB-10	3	4-3/4	CTC-2275349	136.11
STEERING	1050094		P-UB-10	1-3/4	3	CTC-7X2825	73.65
	1393312		P-UB-10	1-3/4	3	CTC-7X2825	73.65
TILT	1156963		P-UB-10	2-3/4	4-1/2	CTC-1636105	220.34
	1CW1-UP; 7BS1-UP						
	1156963		P-UB-10	2-3/4	4-1/2	CTC-2275348	165.03
MODEL IT62G							
LIFT RH	1188296		P-UB-10	3	6	CTC-7X2698	255.56
	1250024		P-UB-10	3	6	CTC-7X2698	255.56
STEERING	1188288		P-UB-10	1-3/4	3-1/2	CTC-7X2784	77.28
TILT	1349397		P-UB-10	3	5-1/4	CTC-3E3293	243.78
Landfill Compactors							
APPLICATION	CYL #	Misc-Parts, Instructions, etc.	CODE	ROD	BORE	KIT #	List \$
MODEL 816							
LIFT	1U2088		P-UB-10	2-1/2	4-3/4	CTC-7X2660	246.36
	4J9233		P-V-10	2	4-1/2	CTC-7X2770	134.35
PUMP	15R; 57U; 91P						
	9J5067					CTC-9J5114	36.87
STEERING	4T1574		P-UB-10	2	4	CTC-7X2789	139.93
STEERING LH	7J9356		P-UB-10	2	4	CTC-7X2755	156.44
STEERING RH	7J9355		P-UB-10	2	4	CTC-7X2755	156.44
MODEL 816B							
DOZER	1U2088		P-UB-10	2-1/2	4-3/4	CTC-1328811	209.77
DOZER LIFT	1U2088		P-UB-10	2-1/2	4-3/4	CTC-7X2660	246.36
STEERING	4T1574		P-UB-10	2	4	CTC-1328816	127.22
	6E5024		P-UB-10	2	4	CTC-1113302	163.17
STEERING LH	7J9356		P-UB-10	2	4	CTC-7X2755	156.44
MODEL 816F							
DOZER	1U2088		P-UB-10	2-1/2	4-3/4	CTC-1328811	209.77
STEERING	4T1574		P-UB-10	2	4	CTC-1328816	127.22
	6E5024		P-UB-10	2	4	CTC-1113302	163.17

REPLACEMENT KITS FOR CATERPILLAR® EQUIPMENT

CATERPILLAR®

Landfill Compactors							
APPLICATION	CYL #	Misc-Parts, Instructions, etc.	CODE	ROD	BORE	KIT #	List \$
MODEL 826B							
LIFT							
	7K9401		P-UB-10	2-1/4	5	CTC-7X2729	222.67
	8J2650		P-UB-10	2	4-1/2	CTC-7X2768	121.61
	9J7111		P-UB-10	2-1/2	5-1/2	CTC-7X2653	222.82
STEERING							
	7J9718		P-UB-10	2-1/4	5	CTC-7X2729	222.67
STEERING LH							
	9J7087		P-UB-10	2-1/4	5	CTC-7X2729	222.67
STEERING RH							
	9J7086		P-UB-10	2-1/4	5	CTC-7X2729	222.67
MODEL 826C							
LIFT							
	8J2650		P-UB-10	2	4-1/2	CTC-7X2768	121.61
	9J7111		P-UB-10	2-1/2	5-1/2	CTC-7X2653	222.82
STEERING							
	9J7086		P-UB-10	2-1/4	5	CTC-9X6392	219.47
	9J7087		P-UB-10	2-1/4	5	CTC-9X6392	219.47
MODEL 826G							
DOZER							
	1164842		P-UB-10	3	4-3/4	CTC-1570288	223.98
STEERING							
	1175151		P-UB-10	2-1/2	4-1/2	CTC-1113300	187.32
MODEL 836, 836C							
LIFT							
	6J1272		P-V-10	2-1/2	6-1/2	CTC-7X2676	150.11
STEERING							
	9J8165		P-UB-10	2-1/4	5	CTC-9X6392	219.47
Loaders - Skid Steer							
APPLICATION	CYL #	Misc-Parts, Instructions, etc.	CODE	ROD	BORE	KIT #	List \$
MODEL 226							
ANGLE BLADE							
	5FZ1-UP						
	2259521		P-U-10	32 mm	63 mm	CTC-1771958	94.81
BUCKET							
	5FZ1-UP						
	2781969		I-U-10	30 mm	60 mm	CTC-2781970	66.84
	2936264		I-U-10	30 mm	50 mm	CTC-2620941	34.55
BUCKET MP							
	5FZ1-UP						
	1545018		P-U-10	30 mm	60 mm	CTC-1643213	91.04
GRAPPLE							
	5FZ1-11443						
	2781975		I-U-10	30 mm	60 mm	CTC-2781970	66.84
	5FZ1-UP						
	1565512		P-U-10	30 mm	60 mm	CTC-1643213	91.04
	1649295		P-U-10	25 mm	40 mm	CTC-1725285	78.24
LIFT LH							
	5FZ1-UP						
	1428961		I-U-10	35 mm	50 mm	CTC-1428962	68.42
LIFT RH							
	5FZ1-UP						
	1428960		I-U-10	35 mm	50 mm	CTC-1428962	68.42
TILT LH							
	5FZ1-2158						
	1428956		P-U-10	30 mm	65 mm	CTC-1428963	135.74

REPLACEMENT KITS FOR CATERPILLAR® EQUIPMENT

Loaders - Skid Steer							
APPLICATION	CYL #	Misc-Parts, Instructions, etc.	CODE	ROD	BORE	KIT #	List \$
MODEL 226							
TILT LH							
	5FZ2159-UP						
	1779569		P-U-10	30 mm	65 mm	CTC-1428963	135.74
TILT RH							
	5FZ1-2158						
	1428955		P-U-10	30 mm	65 mm	CTC-1428963	135.74
	5FZ2159-UP						
	1779568		P-U-10	30 mm	65 mm	CTC-1428963	135.74
MODEL 226B							
ANGLE BLADE							
	MJH1-UP						
	2259521		P-U-10	32 mm	63 mm	CTC-1771958	94.81
	2749930		I-U-10	35 mm	70 mm	CTC-2666140	56.16
BUCKET							
	MJH1-10574						
	1545018		P-U-10	30 mm	60 mm	CTC-1643213	91.04
	2781969		I-U-10	30 mm	60 mm	CTC-2781970	66.84
	2936264		I-U-10	30 mm	50 mm	CTC-2620941	34.55
GRAPPLE							
	MJH1-10574						
	1565512		P-U-10	30 mm	60 mm	CTC-1643213	91.04
	1649295		P-U-10	25 mm	40 mm	CTC-1725285	78.24
	2781975		I-U-10	30 mm	60 mm	CTC-2781970	66.84
LIFT LH							
	MJH1-10574						
	2303683		P-U-10	35 mm	50 mm	CTC-2186826	52.22
LIFT RH							
	MJH1-10574						
	2303693		P-U-10	35 mm	50 mm	CTC-2186826	52.22
TILT							
	MJH1-UP						
	2749931		I-U-10	35 mm	70 mm	CTC-2666140	56.16
TILT LH							
	MJH1-10574						
	2303684		P-U-10	30 mm	65 mm	CTC-2186825	78.42
TILT RH							
	MJH1-10574						
	2303694		P-U-10	30 mm	65 mm	CTC-2186825	78.42
MODEL 226B2							
BUCKET							
	MJH10575-UP						
	2781969		I-U-10	30 mm	60 mm	CTC-2781970	66.84
	2936264		I-U-10	30 mm	50 mm	CTC-2620941	34.55
GRAPPLE							
	MJH10575-UP						
	1649295		P-U-10	25 mm	40 mm	CTC-1725285	78.24
	2781975		I-U-10	30 mm	60 mm	CTC-2781970	66.84
GRAPPLE RH							
	MJH10575-UP						
	2550943		I-U-10	25 mm	40 mm	CTC-2863591	28.31
LIFT LH							
	MJH10575-15087;15094-15156						
	2303683		P-U-10	35 mm	50 mm	CTC-2186826	52.22
	MJH15088-15093;15157-UP						
	2935706		P-U-10	35 mm	50 mm	CTC-3712697	56.51

REPLACEMENT KITS FOR CATERPILLAR® EQUIPMENT

Loaders - Skid Steer							
APPLICATION	CYL #	Misc-Parts, Instructions, etc.	CODE	ROD	BORE	KIT #	List \$
MODEL 226B2							
LIFT RH							
MJH10575-15087;15094-15156							
2303693			P-U-10	35 mm	50 mm	CTC-2186826	52.22
MJH15088-15093;15157-UP							
2935705			P-U-10	35 mm	50 mm	CTC-3712697	56.51
TILT LH							
MJH10575-15087;15094-15156							
2303684			P-U-10	30 mm	65 mm	CTC-2186825	78.42
TILT RH							
MJH10575-15087;15094-15156							
2303694			P-U-10	30 mm	65 mm	CTC-2186825	78.42
MJH15088-15093;15157-UP							
2935707			P-U-10	30 mm	65 mm	CTC-3712718	62.84
MODEL 226B3							
ANGLE BLADE							
AS21-UP; MWD1-UP; SNA1-UP							
2749930			I-U-10	35 mm	70 mm	CTC-2666140	56.16
MWD1-UP; SNA1-UP							
2259521			P-U-10	32 mm	63 mm	CTC-1771958	94.81
BUCKET							
AS21-UP; DXZ1-UP; F3D1-UP; MWD1-UP; SNA1-UP							
2781969			I-U-10	30 mm	60 mm	CTC-2781970	66.84
AS21-UP; MWD1-UP; SNA1-UP							
2936264			I-U-10	30 mm	50 mm	CTC-2620941	34.55
MWD1-UP; SNA1-UP							
1545018			P-U-10	30 mm	60 mm	CTC-1643213	91.04
GRAPPLE							
AS21-UP; MWD1-UP; SNA1-UP							
2550943			I-U-10	25 mm	40 mm	CTC-2863591	28.31
2781975			I-U-10	30 mm	60 mm	CTC-2781970	66.84
LIFT LH							
AS21-UP; DXZ1-UP; F3D1-UP; MWD1-UP; SNA1-UP							
2935706			P-U-10	35 mm	50 mm	CTC-3712697	56.51
2935706			Bushing	35 mm		CTC-2965140	10.43
LIFT RH							
AS21-UP; DXZ1-UP; F3D1-UP; MWD1-UP; SNA1-UP							
2935705			P-U-10	35 mm	50 mm	CTC-3712697	56.51
2935705			Bushing	35 mm		CTC-2965140	10.43
TILT							
AS21-UP; MWD1-UP; SNA1-UP							
2749931			I-U-10	35 mm	70 mm	CTC-2666140	56.16
TILT LH							
AS21-UP; DXZ1-UP; F3D1-UP; MWD1-UP; SNA1-UP							
2935708			P-U-10	30 mm	65 mm	CTC-3712718	62.84
2935708			Bushing	30 mm		CTC-2965139	9.40
TILT RH							
AS21-UP; DXZ1-UP; F3D1-UP; MWD1-UP; SNA1-UP							
2935707			P-U-10	30 mm	65 mm	CTC-3712718	62.84
2935707			Bushing	30 mm		CTC-2965139	9.40
MODEL 226D							
ANGLE BLADE							
HRD1-UP							
2749930			I-U-10	35 mm	70 mm	CTC-2666140	56.16
BUCKET							
HRD1-UP							
2781969			I-U-10	30 mm	60 mm	CTC-2781970	66.84

CATERPILLAR®

REPLACEMENT KITS FOR CATERPILLAR® EQUIPMENT

Loaders - Skid Steer							
APPLICATION	CYL #	Misc-Parts, Instructions, etc.	CODE	ROD	BORE	KIT #	List \$
MODEL 226D							
COUPLER							
HRD1-UP							
	5154591		I-U-10	25 mm	50 mm	CTC-5187949	75.56
GRAPPLE							
HRD1-UP							
	4817387		I-U-10	1-1/4	3	CTC-5052263	79.76
LIFT							
HRD1-UP							
	4321218		P-U-10	40 mm	55 mm	CTC-SK100211	61.43
	4321218		Bushing	40 mm		CTC-2974130	4.59
TILT							
HRD1-UP							
	2749931		I-U-10	35 mm	70 mm	CTC-2666140	56.16
TILT LH							
HRD1-UP							
	4571619		P-U-10	30 mm	65 mm	CTC-SK100212	60.47
	4571619		Bushing	30 mm		CTC-2965139	9.40
TILT RH							
HRD1-UP							
	4571613		P-U-10	30 mm	65 mm	CTC-SK100212	60.47
	4571613		Bushing	30 mm		CTC-2965139	9.40
MODEL 236							
ANGLE BLADE							
4YZ1-UP							
	2259521		P-U-10	32 mm	63 mm	CTC-1771958	94.81
4YZ4000-UP							
	2749930		I-U-10	35 mm	70 mm	CTC-2666140	56.16
BUCKET							
4YZ1-UP							
	1545018		P-U-10	30 mm	60 mm	CTC-1643213	91.04
	2781969		I-U-10	30 mm	60 mm	CTC-2781970	66.84
4YZ4000-UP							
	2936264		I-U-10	30 mm	50 mm	CTC-2620941	34.55
GRAPPLE							
4YZ1-UP							
	1565512		P-U-10	30 mm	60 mm	CTC-1643213	91.04
	1649295		P-U-10	25 mm	40 mm	CTC-1725285	78.24
	2781975		I-U-10	30 mm	60 mm	CTC-2781970	66.84
LIFT LH							
4YZ1-UP							
	1429196		P-U-10	35 mm	70 mm	CTC-1429192	65.92
	1429196		P-U-10	40 mm	60 mm	CTC-1429193	100.93
LIFT RH							
4YZ1-UP							
	1429195		P-U-10	35 mm	70 mm	CTC-1429192	65.92
	1429195		P-U-10	40 mm	60 mm	CTC-1429193	100.93
TILT							
47Z4000-UP							
	2749931		I-U-10	35 mm	70 mm	CTC-2666140	56.16
TILT LH							
4YZ1-UP							
	1779566		P-U-10	35 mm	70 mm	CTC-1429192	65.92
TILT RH							
4YZ1-UP							
	1779565		P-U-10	35 mm	70 mm	CTC-1429192	65.92

REPLACEMENT KITS FOR CATERPILLAR® EQUIPMENT

Loaders - Skid Steer							
APPLICATION	CYL #	Misc-Parts, Instructions, etc.	CODE	ROD	BORE	KIT #	List \$
MODEL 236B							
ANGLE BLADE							
HEN1-6749							
	2259521		P-U-10	32 mm	63 mm	CTC-1771958	94.81
	2749930		I-U-10	35 mm	70 mm	CTC-2666140	56.16
BUCKET							
HEN1-6749							
	1545018		P-U-10	30 mm	60 mm	CTC-1643213	91.04
	2781969		I-U-10	30 mm	60 mm	CTC-2781970	66.84
	2936264		I-U-10	30 mm	50 mm	CTC-2620941	34.55
GRAPPLE							
HEN1-6749							
	1565512		P-U-10	30 mm	60 mm	CTC-1643213	91.04
	1649295		P-U-10	25 mm	40 mm	CTC-1725285	78.24
	2781975		I-U-10	30 mm	60 mm	CTC-2781970	66.84
LIFT LH							
HEN1-6749							
	2303685		P-U-10	40 mm	60 mm	CTC-2186823	81.28
LIFT RH							
HEN1-6749							
	2303695		P-U-10	40 mm	60 mm	CTC-2186823	81.28
TILT							
HEN1-6749							
	2749931		I-U-10	35 mm	70 mm	CTC-2666140	56.16
TILT LH							
HEN1-6749							
	2303687		P-U-10	35 mm	70 mm	CTC-2186822	101.27
TILT RH							
HEN1-6749							
	2303697		P-U-10	35 mm	70 mm	CTC-2186822	101.27
MODEL 236B2							
ANGLE BLADE							
HEN6750-UP							
	2259521		P-U-10	32 mm	63 mm	CTC-1771958	94.81
	2749930		I-U-10	35 mm	70 mm	CTC-2666140	56.16
BUCKET							
HEN6750-UP							
	2781969		I-U-10	30 mm	60 mm	CTC-2781970	66.84
	2936264		I-U-10	30 mm	50 mm	CTC-2620941	34.55
GRAPPLE							
HEN6750-UP							
	1649295		P-U-10	25 mm	40 mm	CTC-1725285	78.24
	2550943		I-U-10	25 mm	40 mm	CTC-2863591	28.31
	2781975		I-U-10	30 mm	60 mm	CTC-2781970	66.84
LIFT LH							
HEN6750-9767							
	2303685		P-U-10	40 mm	60 mm	CTC-2186823	81.28
HEN9768-UP							
	2956952		P-U-10	40 mm	60 mm	CTC-3712756	57.46
LIFT RH							
HEN6750-9767							
	2303695		P-U-10	40 mm	60 mm	CTC-2186823	81.28
HEN9768-UP							
	2956951		P-U-10	40 mm	60 mm	CTC-3712756	57.46
TILT							
HEN6750-UP							
	2749931		I-U-10	35 mm	70 mm	CTC-2666140	56.16

CATERPILLAR®

REPLACEMENT KITS FOR CATERPILLAR® EQUIPMENT

Loaders - Skid Steer							
APPLICATION	CYL #	Misc-Parts, Instructions, etc.	CODE	ROD	BORE	KIT #	List \$
MODEL 236B2							
TILT LH							
HEN6750-9765							
2303687			P-U-10	35 mm	70 mm	CTC-2186822	101.27
HEN9766-UP							
2956954			P-U-10	35 mm	70 mm	CTC-3712760	58.57
TILT RH							
HEN6750-9765							
2303697			P-U-10	35 mm	70 mm	CTC-2186822	101.27
HEN9766-UP							
2956953			P-U-10	35 mm	70 mm	CTC-3712760	58.57
MODEL 236B3							
ANGLE BLADE							
A9H1-UP							
2259521			P-U-10	32 mm	63 mm	CTC-1771958	94.81
2749930			I-U-10	35 mm	70 mm	CTC-2666140	56.16
BUCKET							
A9H1-UP							
1545018			P-U-10	30 mm	60 mm	CTC-1643213	91.04
2781969			I-U-10	30 mm	60 mm	CTC-2781970	66.84
2936264			I-U-10	30 mm	50 mm	CTC-2620941	34.55
GRAPPLE							
A9H1-UP							
2550943			I-U-10	25 mm	40 mm	CTC-2863591	28.31
2781975			I-U-10	30 mm	60 mm	CTC-2781970	66.84
LIFT LH							
A9H1-UP							
2956952			P-U-10	40 mm	60 mm	CTC-3712756	57.46
LIFT RH							
A9H1-UP							
2956951			P-U-10	40 mm	60 mm	CTC-3712756	57.46
TILT							
A9H1-UP							
2749931			I-U-10	35 mm	70 mm	CTC-2666140	56.16
TILT LH							
A9H1-UP							
2956954			P-U-10	35 mm	70 mm	CTC-3712760	58.57
2956954			Bushing	35 mm		CTC-2965140	10.43
TILT RH							
A9H1-UP							
2956953			P-U-10	35 mm	70 mm	CTC-3712760	58.57
2956953			Bushing	35 mm		CTC-2965140	10.43
MODEL 236D							
ANGLE BLADE							
BGZ1-UP; MPW1-UP; SEN1-UP							
2259521			P-U-10	32 mm	63 mm	CTC-1771958	94.81
2749930			I-U-10	35 mm	70 mm	CTC-2666140	56.16
BUCKET							
BGZ1-UP; MPW1-UP; SEN1-UP							
2781969			I-U-10	30 mm	60 mm	CTC-2781970	66.84
2936264			I-U-10	30 mm	50 mm	CTC-2620941	34.55
COUPLER							
BGZ1-UP; MPW1-UP; SEN1-UP							
5154591			I-U-10	25 mm	50 mm	CTC-5187949	75.56

REPLACEMENT KITS FOR CATERPILLAR® EQUIPMENT

Loaders - Skid Steer							
APPLICATION	CYL #	Misc-Parts, Instructions, etc.	CODE	ROD	BORE	KIT #	List \$
MODEL 236D							
GRAPPLE							
BGZ1-UP; MPW1-UP; SEN1-UP							
	2550943		I-U-10	25 mm	40 mm	CTC-2863591	28.31
	2781975		I-U-10	30 mm	60 mm	CTC-2781970	66.84
	4817387		I-U-10	1-1/4	3	CTC-5052263	79.76
LIFT							
BGZ1-UP; MPW1-UP; SEN1-UP							
	3780891		P-U-10	40 mm	55 mm	CTC-4397329	51.89
	3780891		Bushing	40 mm		CTC-2974130	4.59
MPW1-UP							
	3805668		P-U-10	45 mm	65 mm	CTC-3712737	64.20
	3805668		Bushing	45 mm		CTC-2965141	11.84
TILT							
BGZ1-UP; MPW1-UP; SEN1-UP							
	2749931		I-U-10	35 mm	70 mm	CTC-2666140	56.16
TILT LH							
BGZ1-UP; MPW1-UP; SEN1-UP							
	3787964		P-U-10	35 mm	70 mm	CTC-3712760	58.57
	3787964		Bushing	35 mm		CTC-2965140	10.43
TILT RH							
BGZ1-UP; MPW1-UP; SEN1-UP							
	3787963		P-U-10	35 mm	70 mm	CTC-3712760	58.57
	3787963		Bushing	35 mm		CTC-2965140	10.43
MODEL 242							
ANGLE BLADE							
CMB1-UP							
	2259521		P-U-10	32 mm	63 mm	CTC-1771958	94.81
BUCKET							
CMB1-UP							
	1545018		P-U-10	30 mm	60 mm	CTC-1643213	91.04
	2781969		I-U-10	30 mm	60 mm	CTC-2781970	66.84
	2936264		I-U-10	30 mm	50 mm	CTC-2620941	34.55
GRAPPLE							
CMB1-1646							
	2781975		I-U-10	30 mm	60 mm	CTC-2781970	66.84
CMB1-UP							
	1565512		P-U-10	30 mm	60 mm	CTC-1643213	91.04
	1649295		P-U-10	25 mm	40 mm	CTC-1725285	78.24
LIFT							
CMB1-UP							
	1919641		P-U-10	45 mm	60 mm	CTC-1919605	98.11
TILT LH							
CMB1-UP							
	1779569		P-U-10	30 mm	65 mm	CTC-1428963	135.74
TILT RH							
CMB1-UP							
	1779568		P-U-10	30 mm	65 mm	CTC-1428963	135.74
MODEL 242B							
ANGLE BLADE							
BXM1-4224							
	2259521		P-U-10	32 mm	63 mm	CTC-1771958	94.81
	2749930		I-U-10	35 mm	70 mm	CTC-2666140	56.16

REPLACEMENT KITS FOR CATERPILLAR® EQUIPMENT

Loaders - Skid Steer							
APPLICATION	CYL #	Misc-Parts, Instructions, etc.	CODE	ROD	BORE	KIT #	List \$
MODEL 242B							
BUCKET							
BXM1-4224							
	1545018		P-U-10	30 mm	60 mm	CTC-1643213	91.04
	2781969		I-U-10	30 mm	60 mm	CTC-2781970	66.84
	2936264		I-U-10	30 mm	50 mm	CTC-2620941	34.55
GRAPPLE							
BXM1-4224							
	1565512		P-U-10	30 mm	60 mm	CTC-1643213	91.04
	1649295		P-U-10	25 mm	40 mm	CTC-1725285	78.24
	2781975		I-U-10	30 mm	60 mm	CTC-2781970	66.84
LIFT							
BXM1-4224							
	2303703		P-U-10	45 mm	60 mm	CTC-2186827	78.77
TILT							
BXM1-4224							
	2749931		I-U-10	35 mm	70 mm	CTC-2666140	56.16
TILT LH							
BXM1-4224							
	2303684		P-U-10	30 mm	65 mm	CTC-2186825	78.42
TILT RH							
BXM1-4224							
	2303694		P-U-10	30 mm	65 mm	CTC-2186825	78.42
MODEL 242B2							
ANGLE BLADE							
BXM4225-UP							
	2259521		P-U-10	32 mm	63 mm	CTC-1771958	94.81
	2749930		I-U-10	35 mm	70 mm	CTC-2666140	56.16
BUCKET							
BXM4225-UP							
	2781969		I-U-10	30 mm	60 mm	CTC-2781970	66.84
	2936264		I-U-10	30 mm	50 mm	CTC-2620941	34.55
GRAPPLE							
BXM4225-UP							
	1649295		P-U-10	25 mm	40 mm	CTC-1725285	78.24
	2781975		I-U-10	30 mm	60 mm	CTC-2781970	66.84
GRAPPLE RH							
BXM4225-UP							
	2550943		I-U-10	25 mm	40 mm	CTC-2863591	28.31
LIFT							
BXM4225-UP							
	2303703		P-U-10	45 mm	60 mm	CTC-2186827	78.77
TILT							
BXM4225-UP							
	2749931		I-U-10	35 mm	70 mm	CTC-2666140	56.16
TILT LH							
BXM4225-UP							
	2303684		P-U-10	30 mm	65 mm	CTC-2186825	78.42
TILT RH							
BXM4225-UP							
	2303694		P-U-10	30 mm	65 mm	CTC-2186825	78.42
MODEL 242D							
ANGLE BLADE							
A9W1-UP; DML1-UP; DZT1-UP							
	2259521		P-U-10	32 mm	63 mm	CTC-1771958	94.81
	2749930		I-U-10	35 mm	70 mm	CTC-2666140	56.16

REPLACEMENT KITS FOR CATERPILLAR® EQUIPMENT

Loaders - Skid Steer							
APPLICATION	CYL #	Misc-Parts, Instructions, etc.	CODE	ROD	BORE	KIT #	List \$
MODEL 242D							
BUCKET							
A9W1-UP; DML1-UP; DZT1-UP							
	2781969		I-U-10	30 mm	60 mm	CTC-2781970	66.84
	2936264		I-U-10	30 mm	50 mm	CTC-2620941	34.55
COUPLER							
A9W1-UP; DML1-UP; DZT1-UP							
	5154591		I-U-10	25 mm	50 mm	CTC-5187949	75.56
GRAPPLE							
A9W1-UP; DML1-UP; DZT1-UP							
	2550943		I-U-10	25 mm	40 mm	CTC-2863591	28.31
	2781975		I-U-10	30 mm	60 mm	CTC-2781970	66.84
	4827647		I-U-10	1-1/4	3	CTC-5052263	79.76
LIFT							
A9W1-UP; DML1-UP; DZT1-UP							
	3805668		P-U-10	45 mm	65 mm	CTC-3712737	64.20
	3805668		Bushing	45 mm		CTC-2965141	11.84
TILT							
A9W1-UP; DML1-UP; DZT1-UP							
	2749931		I-U-10	35 mm	70 mm	CTC-2666140	56.16
TILT LH							
A9W1-UP; DML1-UP; DZT1-UP							
	3787964		P-U-10	35 mm	70 mm	CTC-3712760	58.57
	3787964		Bushing	35 mm		CTC-2965140	10.43
TILT RH							
A9W1-UP; DML1-UP; DZT1-UP							
	3787963		P-U-10	35 mm	70 mm	CTC-3712760	58.57
	3787963		Bushing	35 mm		CTC-2965140	10.43
MODEL 246							
ANGLE BLADE							
5SZ1-UP							
	2259521		P-U-10	32 mm	63 mm	CTC-1771958	94.81
5SZ4000-UP							
	2749930		I-U-10	35 mm	70 mm	CTC-2666140	56.16
BUCKET							
5SZ1-UP							
	1545018		P-U-10	30 mm	60 mm	CTC-1643213	91.04
	2781969		I-U-10	30 mm	60 mm	CTC-2781970	66.84
5SZ4000-UP							
	2936264		I-U-10	30 mm	50 mm	CTC-2620941	34.55
GRAPPLE							
5SZ1-UP							
	1565512		P-U-10	30 mm	60 mm	CTC-1643213	91.04
	1649295		P-U-10	25 mm	40 mm	CTC-1725285	78.24
	2781975		I-U-10	30 mm	60 mm	CTC-2781970	66.84
LIFT LH							
5SZ1-UP							
	1429196		P-U-10	35 mm	70 mm	CTC-1429192	65.92
	1429196		P-U-10	40 mm	60 mm	CTC-1429193	100.93
LIFT RH							
5SZ1-UP							
	1429195		P-U-10	35 mm	70 mm	CTC-1429192	65.92
	1429195		P-U-10	40 mm	60 mm	CTC-1429193	100.93
TILT							
5SZ4000-UP							
	2749931		I-U-10	35 mm	70 mm	CTC-2666140	56.16

CATERPILLAR®

REPLACEMENT KITS FOR CATERPILLAR® EQUIPMENT

Loaders - Skid Steer							
APPLICATION	CYL #	Misc-Parts, Instructions, etc.	CODE	ROD	BORE	KIT #	List \$
MODEL 246							
TILT LH							
	5SZ1-UP						
	1779566		P-U-10	35 mm	70 mm	CTC-1429192	65.92
TILT RH							
	5SZ1-UP						
	1779565		P-U-10	35 mm	70 mm	CTC-1429192	65.92
MODEL 246B							
ANGLE BLADE							
	PAT1-UP						
	2259521		P-U-10	32 mm	63 mm	CTC-1771958	94.81
	2749930		I-U-10	35 mm	70 mm	CTC-2666140	56.16
BUCKET							
	PAT1-UP						
	1545018		P-U-10	30 mm	60 mm	CTC-1643213	91.04
	2781969		I-U-10	30 mm	60 mm	CTC-2781970	66.84
	2936264		I-U-10	30 mm	50 mm	CTC-2620941	34.55
GRAPPLE							
	PAT1-UP						
	1565512		P-U-10	30 mm	60 mm	CTC-1643213	91.04
	1649295		P-U-10	25 mm	40 mm	CTC-1725285	78.24
	2781975		I-U-10	30 mm	60 mm	CTC-2781970	66.84
LIFT LH							
	PAT1-UP						
	2303685		P-U-10	40 mm	60 mm	CTC-2186823	81.28
LIFT RH							
	PAT1-UP						
	2303695		P-U-10	40 mm	60 mm	CTC-2186823	81.28
TILT							
	PAT1-UP						
	2749931		I-U-10	35 mm	70 mm	CTC-2666140	56.16
TILT LH							
	PAT1-UP						
	2303687		P-U-10	35 mm	70 mm	CTC-2186822	101.27
TILT RH							
	PAT1-UP						
	2303697		P-U-10	35 mm	70 mm	CTC-2186822	101.27
MODEL 246C							
ANGLE BLADE							
	JAY1-UP						
	2259521		P-U-10	32 mm	63 mm	CTC-1771958	94.81
	2749930		I-U-10	35 mm	70 mm	CTC-2666140	56.16
BUCKET							
	JAY1-UP						
	1545018		P-U-10	30 mm	60 mm	CTC-1643213	91.04
	2781969		I-U-10	30 mm	60 mm	CTC-2781970	66.84
	2936264		I-U-10	30 mm	50 mm	CTC-2620941	34.55
GRAPPLE							
	JAY1-UP						
	1649295		P-U-10	25 mm	40 mm	CTC-1725285	78.24
	2550943		I-U-10	25 mm	40 mm	CTC-2863591	28.31
	2781975		I-U-10	30 mm	60 mm	CTC-2781970	66.84
LIFT							
	JAY1-4094;4096-4202						
	2582512		P-U-10	45 mm	65 mm	CTC-2186824	85.76
	JAY4095;4203-UP						
	2935710		P-U-10	45 mm	65 mm	CTC-3712737	64.20

REPLACEMENT KITS FOR CATERPILLAR® EQUIPMENT

Loaders - Skid Steer							
APPLICATION	CYL #	Misc-Parts, Instructions, etc.	CODE	ROD	BORE	KIT #	List \$
MODEL 246C							
TILT							
JAY1-UP							
	2749931		I-U-10	35 mm	70 mm	CTC-2666140	56.16
TILT LH							
JAY1-4094;4096-4215							
	2582515		P-U-10	35 mm	75 mm	CTC-2583621	62.57
JAY4095;4216-UP							
	2935712		P-U-10	35 mm	75 mm	CTC-3712751	62.21
TILT RH							
JAY1-4094;4096-4215							
	2582514		P-U-10	35 mm	75 mm	CTC-2583621	62.57
JAY4095;4216-UP							
	2935711		P-U-10	35 mm	75 mm	CTC-3712751	62.21
MODEL 246D							
ANGLE BLADE							
BYF1-UP; HMR1-UP; JSL1-UP							
	2559521		P-U-10	32 mm	63 mm	CTC-1771958	94.81
	2749930		I-U-10	35 mm	70 mm	CTC-2666140	56.16
BUCKET							
BYF1-UP; HMR1-UP; JSL1-UP							
	2781969		I-U-10	30 mm	60 mm	CTC-2781970	66.84
	2936264		I-U-10	30 mm	50 mm	CTC-2620941	34.55
COUPLER							
BYF1-UP; HMR1-UP; JSL1-UP							
	5154591		I-U-10	25 mm	50 mm	CTC-5187949	75.56
GRAPPLE							
BYF1-UP; HMR1-UP; JSL1-UP							
	2550943		I-U-10	25 mm	40 mm	CTC-2863591	28.31
	2781975		I-U-10	30 mm	60 mm	CTC-2781970	66.84
	4817387		I-U-10	1-1/4	3	CTC-5052263	79.76
LIFT							
BYF1-UP; HMR1-UP; JSL1-UP							
	4924510		I-U-10	50 mm	70 mm	CTC-3806119	96.67
TILT							
BYF1-UP; HMR1-UP; JSL1-UP							
	2749931		I-U-10	35 mm	70 mm	CTC-2666140	56.16
TILT LH							
BYF1-UP; HMR1-UP; JSL1-UP							
	2935712		P-U-10	35 mm	75 mm	CTC-3712751	62.21
TILT RH							
BYF1-UP; HMR1-UP; JSL1-UP							
	2935711		P-U-10	35 mm	75 mm	CTC-3712751	62.21
MODEL 252B							
ANGLE BLADE							
SCP1-4599							
	2259521		P-U-10	32 mm	63 mm	CTC-1771958	94.81
	2749930		I-U-10	35 mm	70 mm	CTC-2666140	56.16
BUCKET							
SCP1-4599							
	1545018		P-U-10	30 mm	60 mm	CTC-1643213	91.04
	2781969		I-U-10	30 mm	60 mm	CTC-2781970	66.84
	2936264		I-U-10	30 mm	50 mm	CTC-2620941	34.55

CATERPILLAR®

REPLACEMENT KITS FOR CATERPILLAR® EQUIPMENT

Loaders - Skid Steer							
APPLICATION	CYL #	Misc-Parts, Instructions, etc.	CODE	ROD	BORE	KIT #	List \$
MODEL 252B							
GRAPPLE							
SCP1-4599							
	1565512		P-U-10	30 mm	60 mm	CTC-1643213	91.04
	1649295		P-U-10	25 mm	40 mm	CTC-1725285	78.24
	2781975		I-U-10	30 mm	60 mm	CTC-2781970	66.84
LIFT							
SCP1-4599							
	2303705		P-U-10	45 mm	65 mm	CTC-2186824	85.76
TILT							
SCP1-4599							
	2749931		I-U-10	35 mm	70 mm	CTC-2666140	56.16
TILT LH							
SCP1-4599							
	2303687		P-U-10	35 mm	70 mm	CTC-2186822	101.27
TILT RH							
SCP1-4599							
	2303697		P-U-10	35 mm	70 mm	CTC-2186822	101.27
MODEL 252B2							
ANGLE BLADE							
SCP4600-UP							
	2259521		P-U-10	32 mm	63 mm	CTC-1771958	94.81
	2749930		I-U-10	35 mm	70 mm	CTC-2666140	56.16
BUCKET							
SCP4600-UP							
	2781969		I-U-10	30 mm	60 mm	CTC-2781970	66.84
	2936264		I-U-10	30 mm	50 mm	CTC-2620941	34.55
GRAPPLE							
SCP4600-UP							
	1649295		P-U-10	25 mm	40 mm	CTC-1725285	78.24
	2550943		I-U-10	25 mm	40 mm	CTC-2863591	28.31
	2781975		I-U-10	30 mm	60 mm	CTC-2781970	66.84
LIFT							
SCP4600-UP							
	2303705		P-U-10	45 mm	65 mm	CTC-2186824	85.76
SCP6188-UP							
	2978699		P-U-10	45 mm	65 mm	CTC-3712737	64.20
TILT							
SCP4600-UP							
	2749931		I-U-10	35 mm	70 mm	CTC-2666140	56.16
TILT LH							
SCP4600-6187							
	2303687		P-U-10	35 mm	70 mm	CTC-2186822	101.27
SCP6188-UP							
	2956954		P-U-10	35 mm	70 mm	CTC-3712760	58.57
TILT RH							
SCP4600-6187							
	2303697		P-U-10	35 mm	70 mm	CTC-2186822	101.27
SCP6188-UP							
	2956953		P-U-10	35 mm	70 mm	CTC-3712760	58.57
MODEL 252B3							
ANGLE BLADE							
TNK1-UP							
	2259521		P-U-10	32 mm	63 mm	CTC-1771958	94.81
	2749930		I-U-10	35 mm	70 mm	CTC-2666140	56.16

REPLACEMENT KITS FOR CATERPILLAR® EQUIPMENT

Loaders - Skid Steer							
APPLICATION	CYL #	Misc-Parts, Instructions, etc.	CODE	ROD	BORE	KIT #	List \$
MODEL 252B3							
BUCKET							
TNK1-UP							
	1545018		P-U-10	30 mm	60 mm	CTC-1643213	91.04
	2781969		I-U-10	30 mm	60 mm	CTC-2781970	66.84
	2936264		I-U-10	30 mm	50 mm	CTC-2620941	34.55
GRAPPLE							
TNK1-UP							
	2550943		I-U-10	25 mm	40 mm	CTC-2863591	28.31
	2781975		I-U-10	30 mm	60 mm	CTC-2781970	66.84
LIFT							
TNK1-UP							
	2978699		P-U-10	45 mm	65 mm	CTC-3712737	64.20
	2978699		Bushing	45 mm		CTC-2965141	11.84
TILT							
TNK1-UP							
	2749931		I-U-10	35 mm	70 mm	CTC-2666140	56.16
TILT LH							
TNK1-UP							
	2956954		P-U-10	35 mm	70 mm	CTC-3712760	58.57
	2956954		Bushing	35 mm		CTC-2965140	10.43
TILT RH							
TNK1-UP							
	2956953		P-U-10	35 mm	70 mm	CTC-3712760	58.57
	2956953		Bushing	35 mm		CTC-2965140	10.43
MODEL 262							
ANGLE BLADE							
CED1-UP							
	2259521		P-U-10	32 mm	63 mm	CTC-1771958	94.81
	2749930		I-U-10	35 mm	70 mm	CTC-2666140	56.16
BUCKET							
CED1-UP							
	1545018		P-U-10	30 mm	60 mm	CTC-1643213	91.04
	2781969		I-U-10	30 mm	60 mm	CTC-2781970	66.84
	2936264		I-U-10	30 mm	50 mm	CTC-2620941	34.55
GRAPPLE							
CED1-UP							
	1565512		P-U-10	30 mm	60 mm	CTC-1643213	91.04
	1649295		P-U-10	25 mm	40 mm	CTC-1725285	78.24
	2781975		I-U-10	30 mm	60 mm	CTC-2781970	66.84
LIFT							
CED1-UP							
	1908041		P-U-10	45 mm	65 mm	CTC-2063805	134.74
TILT							
CED1-UP							
	2749931		I-U-10	35 mm	70 mm	CTC-2666140	56.16
TILT LH							
CED1-UP							
	1779566		P-U-10	35 mm	70 mm	CTC-1429192	65.92
TILT RH							
CED1-UP							
	1779565		P-U-10	35 mm	70 mm	CTC-1429192	65.92
MODEL 262B							
ANGLE BLADE							
PDT1-UP							
	2259521		P-U-10	32 mm	63 mm	CTC-1771958	94.81
	2749930		I-U-10	35 mm	70 mm	CTC-2666140	56.16

REPLACEMENT KITS FOR CATERPILLAR® EQUIPMENT

Loaders - Skid Steer							
APPLICATION	CYL #	Misc-Parts, Instructions, etc.	CODE	ROD	BORE	KIT #	List \$
MODEL 262B							
BUCKET							
PDT1-UP							
	1545018		P-U-10	30 mm	60 mm	CTC-1643213	91.04
	2781969		I-U-10	30 mm	60 mm	CTC-2781970	66.84
	2936264		I-U-10	30 mm	50 mm	CTC-2620941	34.55
GRAPPLE							
PDT1-UP							
	1565512		P-U-10	30 mm	60 mm	CTC-1643213	91.04
	1649295		P-U-10	25 mm	40 mm	CTC-1725285	78.24
	2781975		I-U-10	30 mm	60 mm	CTC-2781970	66.84
LIFT							
PDT1-UP							
	2303705		P-U-10	45 mm	65 mm	CTC-2186824	85.76
TILT							
PDT1-UP							
	2749931		I-U-10	35 mm	70 mm	CTC-2666140	56.16
TILT LH							
PDT1-UP							
	2303687		P-U-10	35 mm	70 mm	CTC-2186822	101.27
TILT RH							
PDT1-UP							
	2303697		P-U-10	35 mm	70 mm	CTC-2186822	101.27
MODEL 262C							
ANGLE BLADE							
MST1-UP							
	225952		P-U-10	32 mm	63 mm	CTC-1771958	94.81
	2749930		I-U-10	35 mm	70 mm	CTC-2666140	56.16
BUCKET							
MST1-UP							
	1545018		P-U-10	30 mm	60 mm	CTC-1643213	91.04
	2781969		I-U-10	30 mm	60 mm	CTC-2781970	66.84
	2936264		I-U-10	30 mm	50 mm	CTC-2620941	34.55
GRAPPLE							
MST1-UP							
	1649295		P-U-10	25 mm	40 mm	CTC-1725285	78.24
	2550943		I-U-10	25 mm	40 mm	CTC-2863591	28.31
	2781975		I-U-10	30 mm	60 mm	CTC-2781970	66.84
LIFT							
MST1-3376							
	2582516		P-U-10	45 mm	65 mm	CTC-2186824	85.76
MST1860-UP							
	2935713		P-U-10	45 mm	65 mm	CTC-3712737	64.20
TILT							
MST1-UP							
	2749931		I-U-10	35 mm	70 mm	CTC-2666140	56.16
TILT LH							
MST1-3357							
	2582515		P-U-10	35 mm	75 mm	CTC-2583621	62.57
MST1860-UP							
	2935712		P-U-10	35 mm	75 mm	CTC-3712751	62.21
TILT RH							
MST1-3357							
	2582514		P-U-10	35 mm	75 mm	CTC-2583621	62.57
MST1860-UP							
	2935711		P-U-10	35 mm	75 mm	CTC-3712751	62.21

REPLACEMENT KITS FOR CATERPILLAR® EQUIPMENT

Loaders - Skid Steer							
APPLICATION	CYL #	Misc-Parts, Instructions, etc.	CODE	ROD	BORE	KIT #	List \$
MODEL 262C2							
ANGLE BLADE							
	TMW1-UP						
	2749930		I-U-10	35 mm	70 mm	CTC-2666140	56.16
BUCKET							
	TMW1-UP						
	2781969		I-U-10	30 mm	60 mm	CTC-2781970	66.84
	2936264		I-U-10	30 mm	50 mm	CTC-2620941	34.55
GRAPPLE							
	TMW1-UP						
	2550943		I-U-10	25 mm	40 mm	CTC-2863591	28.31
	2781975		I-U-10	30 mm	60 mm	CTC-2781970	66.84
LIFT							
	TMW1-UP						
	2935713		P-U-10	45 mm	65 mm	CTC-3712737	64.20
	2935713		Bushing	45 mm		CTC-2965141	11.84
TILT							
	TMW1-UP						
	2749931		I-U-10	35 mm	70 mm	CTC-2666140	56.16
TILT LH							
	TMW1-UP						
	2935712		P-U-10	35 mm	75 mm	CTC-3712751	62.21
	2935712		Bushing	35 mm		CTC-2965140	10.43
TILT RH							
	TMW1-UP						
	2935711		P-U-10	35 mm	75 mm	CTC-3712751	62.21
	2935711		Bushing	35 mm		CTC-2965140	10.43
MODEL 262D							
ANGLE BLADE							
	DTB1-UP; KTS1-UP; LST1-UP						
	2749930		I-U-10	35 mm	70 mm	CTC-2666140	56.16
BUCKET							
	DTB1-UP; KTS1-UP; LST1-UP						
	2781969		I-U-10	30 mm	60 mm	CTC-2781970	66.84
GRAPPLE							
	DTB1-UP; KTS1-UP; LST1-UP						
	2550943		I-U-10	25 mm	40 mm	CTC-2863591	28.31
LIFT							
	DTB1-UP; KTS1-UP; LST1-UP						
	3779483		P-U-10	45 mm	65 mm	CTC-3712737	64.20
	3779483		Bushing	45 mm		CTC-2965141	11.84
TILT							
	DTB1-UP; KTS1-UP; LST1-UP						
	2749931		I-U-10	35 mm	70 mm	CTC-2666140	56.16
TILT LH							
	DTB1-UP; KTS1-UP; LST1-UP						
	2935712		P-U-10	35 mm	75 mm	CTC-3712751	62.21
	2935712		Bushing	35 mm		CTC-2965140	10.43
TILT RH							
	DTB1-UP; KTS1-UP; LST1-UP						
	2935711		P-U-10	35 mm	75 mm	CTC-3712751	62.21
	2935711		Bushing	35 mm		CTC-2965140	10.43
MODEL 268B							
ANGLE BLADE							
	LBA1-UP						
	2259521		P-U-10	32 mm	63 mm	CTC-1771958	94.81

CATERPILLAR®

REPLACEMENT KITS FOR CATERPILLAR® EQUIPMENT

Loaders - Skid Steer							
APPLICATION	CYL #	Misc-Parts, Instructions, etc.	CODE	ROD	BORE	KIT #	List \$
MODEL 268B							
BUCKET							
LBA1-UP							
	1545018		P-U-10	30 mm	60 mm	CTC-1643213	91.04
	2781969		I-U-10	30 mm	60 mm	CTC-2781970	66.84
	2936264		I-U-10	30 mm	50 mm	CTC-2620941	34.55
GRAPPLE							
LBA1-UP							
	1565512		P-U-10	30 mm	60 mm	CTC-1643213	91.04
	1649295		P-U-10	25 mm	40 mm	CTC-1725285	78.24
	2550943		I-U-10	25 mm	40 mm	CTC-2863591	28.31
	2781975		I-U-10	30 mm	60 mm	CTC-2781970	66.84
LIFT							
LBA1-UP							
	2303705		P-U-10	45 mm	65 mm	CTC-2186824	85.76
TILT LH							
LBA1-UP							
	2303687		P-U-10	35 mm	70 mm	CTC-2186822	101.27
TILT RH							
LBA1-UP							
	2303697		P-U-10	35 mm	70 mm	CTC-2186822	101.27
MODEL 272C							
ANGLE BLADE							
RED1-UP							
	2259521		P-U-10	32 mm	63 mm	CTC-1771958	94.81
	2749930		I-U-10	35 mm	70 mm	CTC-2666140	56.16
BUCKET							
RED1-UP							
	1545018		P-U-10	30 mm	60 mm	CTC-1643213	91.04
	2781969		I-U-10	30 mm	60 mm	CTC-2781970	66.84
	2936264		I-U-10	30 mm	50 mm	CTC-2620941	34.55
GRAPPLE							
RED1-UP							
	1649295		P-U-10	25 mm	40 mm	CTC-1725285	78.24
	2550943		I-U-10	25 mm	40 mm	CTC-2863591	28.31
	2781975		I-U-10	30 mm	60 mm	CTC-2781970	66.84
LIFT							
RED1-2026; RED2029-2068							
	2582516		P-U-10	45 mm	65 mm	CTC-2186824	85.76
RED2027-2028; RED2069-UP							
	2935713		P-U-10	45 mm	65 mm	CTC-3712737	64.20
	2935713		Bushing	45 mm		CTC-2965141	11.84
TILT							
RED1-UP							
	2749931		I-U-10	35 mm	70 mm	CTC-2666140	56.16
TILT LH							
RED1-2026; RED2029-2064							
	2582515		P-U-10	35 mm	75 mm	CTC-2583621	62.57
RED2027-2028; RED2065-UP							
	2935712		P-U-10	35 mm	75 mm	CTC-3712751	62.21
	2935712		Bushing	35 mm		CTC-2965140	10.43
TILT RH							
RED1-2026; RED2029-2064							
	2582514		P-U-10	35 mm	75 mm	CTC-2583621	62.57
RED2027-2028; RED2065-UP							
	2935711		P-U-10	35 mm	75 mm	CTC-3712751	62.21
	2935711		Bushing	35 mm		CTC-2965140	10.43

REPLACEMENT KITS FOR CATERPILLAR® EQUIPMENT

Loaders - Skid Steer							
APPLICATION	CYL #	Misc-Parts, Instructions, etc.	CODE	ROD	BORE	KIT #	List \$
MODEL 272D							
ANGLE BLADE							
BL21-UP; MD21-UP							
	2259521		P-U-10	32 mm	63 mm	CTC-1771958	94.81
	2749930		I-U-10	35 mm	70 mm	CTC-2666140	56.16
BUCKET							
BL21-UP; MD21-UP							
	2781969		I-U-10	30 mm	60 mm	CTC-2781970	66.84
	2936264		I-U-10	30 mm	50 mm	CTC-2620941	34.55
COUPLER							
BL21-UP; MD21-UP							
	5154591		I-U-10	25 mm	50 mm	CTC-5187949	75.56
GRAPPLE							
BL21-UP; MD21-UP							
	2550943		I-U-10	25 mm	40 mm	CTC-2863591	28.31
	2781975		I-U-10	30 mm	60 mm	CTC-2781970	66.84
	4817387		I-U-10	1-1/4	3	CTC-5052263	79.76
LIFT							
BL21-UP; MD21-UP							
	4924504		I-U-10	50 mm	70 mm	CTC-3806119	96.67
TILT							
BL21-UP; MD21-UP							
	2749931		I-U-10	35 mm	70 mm	CTC-2666140	56.16
TILT LH							
BL21-UP; MD21-UP							
	2935712		P-U-10	35 mm	75 mm	CTC-3712751	62.21
	2935712		Bushing	35 mm		CTC-2965140	10.43
TILT RH							
BL21-UP; MD21-UP							
	2935711		P-U-10	35 mm	75 mm	CTC-3712751	62.21
	2935711		Bushing	35 mm		CTC-2965140	10.43
MODEL 272D XHP							
ANGLE BLADE							
BL21-UP; MD21-UP							
	2259521		P-U-10	32 mm	63 mm	CTC-1771958	94.81
	2749930		I-U-10	35 mm	70 mm	CTC-2666140	56.16
BUCKET							
BL21-UP; MD21-UP							
	2781969		I-U-10	30 mm	60 mm	CTC-2781970	66.84
	2936264		I-U-10	30 mm	50 mm	CTC-2620941	34.55
COUPLER							
BL21-UP; MD21-UP							
	5154591		I-U-10	25 mm	50 mm	CTC-5187949	75.56
GRAPPLE							
BL21-UP; MD21-UP							
	2550943		I-U-10	25 mm	40 mm	CTC-2863591	28.31
	2781975		I-U-10	30 mm	60 mm	CTC-2781970	66.84
	4817387		I-U-10	1-1/4	3	CTC-5052263	79.76
LIFT							
BL21-UP; MD21-UP							
	4924504		I-U-10	50 mm	70 mm	CTC-3806119	96.67
TILT							
BL21-UP; MD21-UP							
	2749931		I-U-10	35 mm	70 mm	CTC-2666140	56.16

CATERPILLAR®

REPLACEMENT KITS FOR CATERPILLAR® EQUIPMENT

Loaders - Skid Steer							
APPLICATION	CYL #	Misc-Parts, Instructions, etc.	CODE	ROD	BORE	KIT #	List \$
MODEL 272D XHP							
TILT LH							
BL21-UP; MD21-UP							
	2935712		P-U-10	35 mm	75 mm	CTC-3712751	62.21
	2935712		Bushing	35 mm		CTC-2965140	10.43
TILT RH							
BL21-UP; MD21-UP							
	2935711		P-U-10	35 mm	75 mm	CTC-3712751	62.21
	2935711		Bushing	35 mm		CTC-2965140	10.43
MODEL 272D2							
ANGLE							
B5W1-UP; BL21-UP; MD21-UP							
	2749930		I-U-10	35 mm	70 mm	CTC-2666140	56.16
ANGLE BLADE							
B5W1-UP; BL21-UP; MD21-UP							
	2259521		P-U-10	32 mm	63 mm	CTC-1771958	94.81
BUCKET							
B5W1-UP; BL21-UP; MD21-UP							
	2781969		I-U-10	30 mm	60 mm	CTC-2781970	66.84
	2936264		I-U-10	30 mm	50 mm	CTC-2620941	34.55
	5622803		P-U-10	30 mm	60 mm	CTC-5799491	92.41
COUPLER							
B5W1-UP; BL21-UP; MD21-UP							
	5154591		I-U-10	25 mm	50 mm	CTC-5187949	75.56
GRAPPLE							
B5W1-UP; BL21-UP; MD21-UP							
	2550943		I-U-10	25 mm	40 mm	CTC-2863591	28.31
	2781975		I-U-10	30 mm	60 mm	CTC-2781970	66.84
	4817387		I-U-10	1-1/4	3	CTC-5052263	79.76
	5622802		P-U-10	30 mm	60 mm	CTC-5799491	92.41
LIFT							
B5W1-UP; BL21-UP; MD21-UP							
	4924504		I-U-10	50 mm	70 mm	CTC-3806119	96.67
TILT							
B5W1-UP; BL21-UP; MD21-UP							
	2749931		I-U-10	35 mm	70 mm	CTC-2666140	56.16
TILT LH							
B5W1-UP; BL21-UP; MD21-UP							
	2935712		P-U-10	35 mm	75 mm	CTC-3712751	62.21
	2935712		Bushing	35 mm		CTC-2965140	10.43
TILT RH							
B5W1-UP; BL21-UP; MD21-UP							
	2935711		P-U-10	35 mm	75 mm	CTC-3712751	62.21
	2935711		Bushing	35 mm		CTC-2965140	10.43
MODEL 272D2 XHP							
ANGLE							
BL21-UP; ETL1-UP; MD21-UP							
	2749930		I-U-10	35 mm	70 mm	CTC-2666140	56.16
ANGLE BLADE							
BL21-UP; ETL1-UP; MD21-UP							
	2259521		P-U-10	32 mm	63 mm	CTC-1771958	94.81
BUCKET							
BL21-UP; ETL1-UP; MD21-UP							
	2781969		I-U-10	30 mm	60 mm	CTC-2781970	66.84
	2936264		I-U-10	30 mm	50 mm	CTC-2620941	34.55
	5622803		P-U-10	30 mm	60 mm	CTC-5799491	92.41

REPLACEMENT KITS FOR CATERPILLAR® EQUIPMENT

Loaders - Skid Steer							
APPLICATION	CYL #	Misc-Parts, Instructions, etc.	CODE	ROD	BORE	KIT #	List \$
MODEL 272D2 XHP							
COUPLER							
	BL21-UP; ETL1-UP; MD21-UP						
	5154591		I-U-10	25 mm	50 mm	CTC-5187949	75.56
GRAPPLE							
	BL21-UP; ETL1-UP; MD21-UP						
	2550943		I-U-10	25 mm	40 mm	CTC-2863591	28.31
	2781975		I-U-10	30 mm	60 mm	CTC-2781970	66.84
	4817387		I-U-10	1-1/4	3	CTC-5052263	79.76
	5622802		P-U-10	30 mm	60 mm	CTC-5799491	92.41
LIFT							
	BL21-UP; ETL1-UP; MD21-UP						
	4924504		I-U-10	50 mm	70 mm	CTC-3806119	96.67
TILT							
	BL21-UP; ETL1-UP; MD21-UP						
	2749931		I-U-10	35 mm	70 mm	CTC-2666140	56.16
TILT LH							
	BL21-UP; ETL1-UP; MD21-UP						
	2935712		P-U-10	35 mm	75 mm	CTC-3712751	62.21
	2935712		Bushing	35 mm		CTC-2965140	10.43
TILT RH							
	BL21-UP; ETL1-UP; MD21-UP						
	2935711		P-U-10	35 mm	75 mm	CTC-3712751	62.21
	2935711		Bushing	35 mm		CTC-2965140	10.43
Loaders - Track Skid Steer							
APPLICATION	CYL #	Misc-Parts, Instructions, etc.	CODE	ROD	BORE	KIT #	List \$
MODEL 232B							
ANGLE BLADE							
	SCH1-2474						
	2259521		P-U-10	32 mm	63 mm	CTC-1771958	94.81
	2749930		I-U-10	35 mm	70 mm	CTC-2666140	56.16
BUCKET							
	SCH1-2474						
	1545018		P-U-10	30 mm	60 mm	CTC-1643213	91.04
	2781969		I-U-10	30 mm	60 mm	CTC-2781970	66.84
	2936264		I-U-10	30 mm	50 mm	CTC-2620941	34.55
GRAPPLE							
	SCH1-2474						
	1565512		P-U-10	30 mm	60 mm	CTC-1643213	91.04
	1649295		P-U-10	25 mm	40 mm	CTC-1725285	78.24
	2550943		I-U-10	25 mm	40 mm	CTC-2863591	28.31
	2781975		I-U-10	30 mm	60 mm	CTC-2781970	66.84
LIFT							
	SCH1-2474						
	2303703		P-U-10	45 mm	60 mm	CTC-2186827	78.77
LIIFT							
	SCH1-2474						
	1919641		P-U-10	45 mm	60 mm	CTC-1919605	98.11
TILT							
	SCH1-2474						
	2749931		I-U-10	35 mm	70 mm	CTC-2666140	56.16
TILT LH							
	SCH1-2474						
	1779569		P-U-10	30 mm	65 mm	CTC-1428963	135.74
	2303684		P-U-10	30 mm	65 mm	CTC-2186825	78.42

CATERPILLAR®

REPLACEMENT KITS FOR CATERPILLAR® EQUIPMENT

Loaders - Track Skid Steer							
APPLICATION	CYL #	Misc-Parts, Instructions, etc.	CODE	ROD	BORE	KIT #	List \$
MODEL 232B							
TILT RH							
SCH1-2474							
	1779568		P-U-10	30 mm	65 mm	CTC-1428963	135.74
	2303694		P-U-10	30 mm	65 mm	CTC-2186825	78.42
MODEL 232B2							
ANGLE BLADE							
SCH2475-UP							
	2259521		P-U-10	32 mm	63 mm	CTC-1771958	94.81
	2749930		I-U-10	35 mm	70 mm	CTC-2666140	56.16
BUCKET							
SCH2475-UP							
	2781969		I-U-10	30 mm	60 mm	CTC-2781970	66.84
	2936264		I-U-10	30 mm	50 mm	CTC-2620941	34.55
GRAPPLE							
SCH2475-UP							
	1649295		P-U-10	25 mm	40 mm	CTC-1725285	78.24
	2550943		I-U-10	25 mm	40 mm	CTC-2863591	28.31
	2781975		I-U-10	30 mm	60 mm	CTC-2781970	66.84
LIFT							
SCH2475-UP							
	2303703		P-U-10	45 mm	60 mm	CTC-2186827	78.77
	2935709		P-U-10	45 mm	60 mm	CTC-3712727	56.88
	2935709		Bushing	45 mm		CTC-2965141	11.84
TILT							
SCH2475-UP							
	2749931		I-U-10	35 mm	70 mm	CTC-2666140	56.16
TILT LH							
SCH2475-UP							
	2303684		P-U-10	30 mm	65 mm	CTC-2186825	78.42
	2935708		P-U-10	30 mm	65 mm	CTC-3712718	62.84
	2935708		Bushing	30 mm		CTC-2965139	9.40
TILT RH							
SCH2475-UP							
	2303694		P-U-10	30 mm	65 mm	CTC-2186825	78.42
	2935707		P-U-10	30 mm	65 mm	CTC-3712718	62.84
	2935707		Bushing	30 mm		CTC-2965139	9.40
MODEL 232D							
ANGLE BLADE							
DPR1-UP; KXC1-UP							
	2749930		I-U-10	35 mm	70 mm	CTC-2666140	56.16
BUCKET							
DPR1-UP; KXC1-UP							
	2781969		I-U-10	30 mm	60 mm	CTC-2781970	66.84
	5622803		P-U-10	30 mm	60 mm	CTC-5799491	92.41
COUPLER							
DPR1-UP; KXC1-UP							
	5154591		I-U-10	25 mm	50 mm	CTC-5187949	75.56
GRAPPLE							
DPR1-UP; KXC1-UP							
	4827647		I-U-10	1-1/4	3	CTC-5052263	79.76
LIFT							
DPR1-UP; KXC1-UP							
	4572318		P-U-10	45 mm	65 mm	CTC-3712737	64.20
	4572318		Bushing	45 mm		CTC-2965141	11.84
	4572361		P-U-10	45 mm	65 mm	CTC-3712737	64.20
	4572361		Bushing	45 mm		CTC-2965141	11.84

CATERPILLAR®

REPLACEMENT KITS FOR CATERPILLAR® EQUIPMENT

Loaders - Track Skid Steer							
APPLICATION	CYL #	Misc-Parts, Instructions, etc.	CODE	ROD	BORE	KIT #	List \$
MODEL 232D							
TILT							
DPR1-UP; KXC1-UP							
	2749931		I-U-10	35 mm	70 mm	CTC-2666140	56.16
TILT LH							
DPR1-UP; KXC1-UP							
	4571619		P-U-10	30 mm	65 mm	CTC-3712718	62.84
	4571619		Bushing	30 mm		CTC-2965139	9.40
TILT RH							
DPR1-UP; KXC1-UP							
	4571613		P-U-10	30 mm	65 mm	CTC-3712718	62.84
	4571613		Bushing	30 mm		CTC-2965139	9.40
MODEL 239D							
ANGLE BLADE							
BL91-UP; CD41-UP							
	2749930		I-U-10	35 mm	70 mm	CTC-2666140	56.16
BUCKET							
BL91-UP; CD41-UP							
	2781969		I-U-10	30 mm	60 mm	CTC-2781970	66.84
COUPLER							
BL91-UP; CD41-UP							
	5154591		I-U-10	25 mm	50 mm	CTC-5187949	75.56
GRAPPLE							
BL91-UP; CD41-UP							
	4817387		I-U-10	1-1/4	3	CTC-5052263	79.76
LIFT							
BL91-UP; CD41-UP							
	4321218		P-U-10	40 mm	55 mm	CTC-4397329	51.89
	4321218		Bushing	40 mm		CTC-2974130	4.59
TILT							
BL91-UP; CD41-UP							
	2749931		I-U-10	35 mm	70 mm	CTC-2666140	56.16
	4571613		P-U-10	30 mm	65 mm	CTC-3712718	62.84
	4571613		Bushing	30 mm		CTC-2965139	9.40
	4571619		P-U-10	30 mm	65 mm	CTC-3712718	62.84
	4571619		Bushing	30 mm		CTC-2965139	9.40
TRACK ADJUSTER							
BL91-UP; CD41-UP							
	4209806		TRK ADJ			CTC-SK100207	37.35
MODEL 247B							
ANGLE BLADE							
MTL1-5074							
	2259521		P-U-10	32 mm	63 mm	CTC-1771958	94.81
	2749930		I-U-10	35 mm	70 mm	CTC-2666140	56.16
BUCKET							
MTL1-5074							
	1545018		P-U-10	30 mm	60 mm	CTC-1643213	91.04
	2781969		I-U-10	30 mm	60 mm	CTC-2781970	66.84
	2936264		I-U-10	30 mm	50 mm	CTC-2620941	34.55
GRAPPLE							
MTL1-5074							
	1565512		P-U-10	30 mm	60 mm	CTC-1643213	91.04
	1649295		P-U-10	25 mm	40 mm	CTC-1725285	78.24
	2550943		I-U-10	25 mm	40 mm	CTC-2863591	28.31
	2781975		I-U-10	30 mm	60 mm	CTC-2781970	66.84

REPLACEMENT KITS FOR CATERPILLAR® EQUIPMENT

Loaders - Track Skid Steer							
APPLICATION	CYL #	Misc-Parts, Instructions, etc.	CODE	ROD	BORE	KIT #	List \$
MODEL 247B							
LIFT LH							
	MTL1-5074						
	2303683		P-U-10	35 mm	50 mm	CTC-2186826	52.22
LIFT RH							
	MTL1-5074						
	2303693		P-U-10	35 mm	50 mm	CTC-2186826	52.22
TILT							
	MTL1-5074						
	2749931		I-U-10	35 mm	70 mm	CTC-2666140	56.16
TILT LH							
	MTL1-5074						
	2303684		P-U-10	30 mm	65 mm	CTC-2186825	78.42
TILT RH							
	MTL1-5074						
	2303694		P-U-10	30 mm	65 mm	CTC-2186825	78.42
MODEL 247B2							
ANGLE BLADE							
	MTL5075-UP						
	2259521		P-U-10	32 mm	63 mm	CTC-1771958	94.81
	2749930		I-U-10	35 mm	70 mm	CTC-2666140	56.16
	2749931		I-U-10	35 mm	70 mm	CTC-2666140	56.16
BUCKET							
	MTL5075-UP						
	2781969		I-U-10	30 mm	60 mm	CTC-2781970	66.84
	2936264		I-U-10	30 mm	50 mm	CTC-2620941	34.55
GRAPPLE							
	MTL5075-UP						
	1649295		P-U-10	25 mm	40 mm	CTC-1725285	78.24
	2550943		I-U-10	25 mm	40 mm	CTC-2863591	28.31
	2781975		I-U-10	30 mm	60 mm	CTC-2781970	66.84
LIFT LH							
	MTL5075-6744; MTL6751-6801						
	2303683		P-U-10	35 mm	50 mm	CTC-2186826	52.22
	MTL6745-6750; MTL6802-UP						
	2935706		P-U-10	35 mm	50 mm	CTC-3712697	56.51
	2935706		Bushing	35 mm		CTC-2965140	10.43
LIFT RH							
	MTL5075-6744; MTL6751-6801						
	2303693		P-U-10	35 mm	50 mm	CTC-2186826	52.22
	MTL6745-6750; MTL6802-UP						
	2935705		P-U-10	35 mm	50 mm	CTC-3712697	56.51
	2935705		Bushing	35 mm		CTC-2965140	10.43
TILT LH							
	MTL5075-6744; MTL6751-6801						
	2303684		P-U-10	30 mm	65 mm	CTC-2186825	78.42
	MTL6745-6750; MTL6802-UP						
	2935708		P-U-10	30 mm	65 mm	CTC-3712718	62.84
	2935708		Bushing	30 mm		CTC-2965139	9.40
TILT RH							
	MTL5075-6744; MTL6751-6801						
	2303694		P-U-10	30 mm	65 mm	CTC-2186825	78.42
	MTL6745-6750; MTL6802-UP						
	2935707		P-U-10	30 mm	65 mm	CTC-3712718	62.84
	2935707		Bushing	30 mm		CTC-2965139	9.40

REPLACEMENT KITS FOR CATERPILLAR® EQUIPMENT

Loaders - Track Skid Steer							
APPLICATION	CYL #	Misc-Parts, Instructions, etc.	CODE	ROD	BORE	KIT #	List \$
MODEL 247B3							
ANGLE BLADE							
ESL1-UP; KB31-UP; TSL1-UP							
	2259521		P-U-10	32 mm	63 mm	CTC-1771958	94.81
	2749930		I-U-10	35 mm	70 mm	CTC-2666140	56.16
BUCKET							
ESL1-UP; KB31-UP; TSL1-UP							
	2781969		I-U-10	30 mm	60 mm	CTC-2781970	66.84
	2936264		I-U-10	30 mm	50 mm	CTC-2620941	34.55
KB31-UP; TSL1-UP							
	1545018		P-U-10	30 mm	60 mm	CTC-1643213	91.04
GRAPPLE							
ESL1-UP; KB31-UP; TSL1-UP							
	2550943		I-U-10	25 mm	40 mm	CTC-2863591	28.31
	2781975		I-U-10	30 mm	60 mm	CTC-2781970	66.84
LIFT LH							
ESL1-UP; KB31-UP; TSL1-UP							
	2935706		P-U-10	35 mm	50 mm	CTC-3712697	56.51
	2935706		Bushing	35 mm		CTC-2965140	10.43
LIFT RH							
ESL1-UP; KB31-UP; TSL1-UP							
	2935705		P-U-10	35 mm	50 mm	CTC-3712697	56.51
	2935705		Bushing	35 mm		CTC-2965140	10.43
TILT							
ESL1-UP; KB31-UP; TSL1-UP							
	2749931		I-U-10	35 mm	70 mm	CTC-2666140	56.16
TILT LH							
ESL1-UP; KB31-UP; TSL1-UP							
	2935708		P-U-10	30 mm	65 mm	CTC-3712718	62.84
	2935708		Bushing	30 mm		CTC-2965139	9.40
TILT RH							
ESL1-UP; KB31-UP; TSL1-UP							
	2935707		P-U-10	30 mm	65 mm	CTC-3712718	62.84
	2935707		Bushing	30 mm		CTC-2965139	9.40
MODEL 249D							
ANGLE BLADE							
AH91-UP; GWR1-UP							
	2749930		I-U-10	35 mm	70 mm	CTC-2666140	56.16
BUCKET							
AH91-UP; GWR1-UP							
	2781969		I-U-10	30 mm	60 mm	CTC-2781970	66.84
COUPLER							
AH91-UP; GWR1-UP							
	5154591		I-U-10	25 mm	50 mm	CTC-5187949	75.56
GRAPPLE							
AH91-UP; GWR1-UP							
	4817387		I-U-10	1-1/4	3	CTC-5052263	79.76
LIFT							
AH91-UP; GWR1-UP							
	4572318		P-U-10	45 mm	65 mm	CTC-3712737	64.20
	4572318		Bushing	45 mm		CTC-2965141	11.84
	4572361		P-U-10	45 mm	65 mm	CTC-3712737	64.20
	4572361		Bushing	45 mm		CTC-2965141	11.84

CATERPILLAR®

REPLACEMENT KITS FOR CATERPILLAR® EQUIPMENT

Loaders - Track Skid Steer							
APPLICATION	CYL #	Misc-Parts, Instructions, etc.	CODE	ROD	BORE	KIT #	List \$
MODEL 249D							
TILT							
AH91-UP; GWR1-UP							
	2749931		I-U-10	35 mm	70 mm	CTC-2666140	56.16
	4571613		P-U-10	30 mm	65 mm	CTC-3712718	62.84
	4571613		Bushing	30 mm		CTC-2965139	9.40
	4571619		P-U-10	30 mm	65 mm	CTC-3712718	62.84
	4571619		Bushing	30 mm		CTC-2965139	9.40
TRACK ADJUSTER							
AH91-UP; GWR1-UP							
	4209806		TRK ADJ			CTC-SK100207	37.35
MODEL 257B							
ANGLE BLADE							
SLK1-7299							
	2259521		P-U-10	32 mm	63 mm	CTC-1771958	94.81
	2749930		I-U-10	35 mm	70 mm	CTC-2666140	56.16
BUCKET							
SLK1-7299							
	1545018		P-U-10	30 mm	60 mm	CTC-1643213	91.04
	2781969		I-U-10	30 mm	60 mm	CTC-2781970	66.84
	2936264		I-U-10	30 mm	50 mm	CTC-2620941	34.55
GRAPPLE							
SLK1-7299							
	1565512		P-U-10	30 mm	60 mm	CTC-1643213	91.04
	1649295		P-U-10	25 mm	40 mm	CTC-1725285	78.24
	2781975		I-U-10	30 mm	60 mm	CTC-2781970	66.84
LIFT							
SLK1-7299							
	2303703		P-U-10	45 mm	60 mm	CTC-2186827	78.77
TILT							
SLK1-7299							
	2749931		I-U-10	35 mm	70 mm	CTC-2666140	56.16
TILT LH							
SLK1-7299							
	2303684		P-U-10	30 mm	65 mm	CTC-2186825	78.42
TILT RH							
SLK1-7299							
	2303694		P-U-10	30 mm	65 mm	CTC-2186825	78.42
MODEL 257B2							
ANGLE BLADE							
SLK7300-UP							
	2259521		P-U-10	32 mm	63 mm	CTC-1771958	94.81
	2749930		I-U-10	35 mm	70 mm	CTC-2666140	56.16
BUCKET							
SLK7300-UP							
	2781969		I-U-10	30 mm	60 mm	CTC-2781970	66.84
	2936264		I-U-10	30 mm	50 mm	CTC-2620941	34.55
GRAPPLE							
SLK7300-UP							
	1649295		P-U-10	25 mm	40 mm	CTC-1725285	78.24
	2550943		I-U-10	25 mm	40 mm	CTC-2863591	28.31
	2781975		I-U-10	30 mm	60 mm	CTC-2781970	66.84
LIFT							
SLK7300-UP							
	2303703		P-U-10	45 mm	60 mm	CTC-2186827	78.77

REPLACEMENT KITS FOR CATERPILLAR® EQUIPMENT

Loaders - Track Skid Steer							
APPLICATION	CYL #	Misc-Parts, Instructions, etc.	CODE	ROD	BORE	KIT #	List \$
MODEL 257B2							
TILT							
	SLK7300-UP						
	2749931		I-U-10	35 mm	70 mm	CTC-2666140	56.16
TILT LH							
	SLK7300-UP						
	2303684		P-U-10	30 mm	65 mm	CTC-2186825	78.42
TILT RH							
	SLK7300-UP						
	2303694		P-U-10	30 mm	65 mm	CTC-2186825	78.42
MODEL 257B3							
ANGLE BLADE							
	B7H1-UP						
	2259521		P-U-10	32 mm	63 mm	CTC-1771958	94.81
	2749930		I-U-10	35 mm	70 mm	CTC-2666140	56.16
BUCKET							
	B7H1-UP						
	1545018		P-U-10	30 mm	60 mm	CTC-1643213	91.04
	2781969		I-U-10	30 mm	60 mm	CTC-2781970	66.84
	2936264		I-U-10	30 mm	50 mm	CTC-2620941	34.55
GRAPPLE							
	B7H1-UP						
	2550943		I-U-10	25 mm	40 mm	CTC-2863591	28.31
	2781975		I-U-10	30 mm	60 mm	CTC-2781970	66.84
LIFT							
	B7H1-UP						
	3294955		P-U-10	45 mm	65 mm	CTC-3712737	64.20
TILT							
	B7H1-UP						
	2749931		I-U-10	35 mm	70 mm	CTC-2666140	56.16
TILT LH							
	B7H1-UP						
	3294954		P-U-10	35 mm	70 mm	CTC-3712760	58.57
	3294954		Bushing	35 mm		CTC-2965140	10.43
TILT RH							
	B7H1-UP						
	3294953		P-U-10	35 mm	70 mm	CTC-3712760	58.57
	3294953		Bushing	35 mm		CTC-2965140	10.43
MODEL 257D							
ANGLE BLADE							
	EML1-UP; EZW1-UP; FMR1-UP						
	2259521		P-U-10	32 mm	63 mm	CTC-1771958	94.81
	2749930		I-U-10	35 mm	70 mm	CTC-2666140	56.16
BUCKET							
	EML1-UP; EZW1-UP; FMR1-UP						
	2781969		I-U-10	30 mm	60 mm	CTC-2781970	66.84
	2936264		I-U-10	30 mm	50 mm	CTC-2620941	34.55
COUPLER							
	EML1-UP; EZW1-UP; FMR1-UP						
	5154591		I-U-10	25 mm	50 mm	CTC-5187949	75.56
GRAPPLE							
	EML1-UP; EZW1-UP; FMR1-UP						
	2550943		I-U-10	25 mm	40 mm	CTC-2863591	28.31
	2781975		I-U-10	30 mm	60 mm	CTC-2781970	66.84
	4817387		I-U-10	1-1/4	3	CTC-5052263	79.76

CATERPILLAR®

REPLACEMENT KITS FOR CATERPILLAR® EQUIPMENT

Loaders - Track Skid Steer							
APPLICATION	CYL #	Misc-Parts, Instructions, etc.	CODE	ROD	BORE	KIT #	List \$
MODEL 257D							
LIFT							
EML1-UP; EZW1-UP; FMR1-UP							
	3805668		P-U-10	45 mm	65 mm	CTC-3712737	64.20
TILT							
EML1-UP; EZW1-UP; FMR1-UP							
	2749931		I-U-10	35 mm	70 mm	CTC-2666140	56.16
TILT LH							
EML1-UP; EZW1-UP; FMR1-UP							
	3787964		P-U-10	35 mm	70 mm	CTC-3712760	58.57
TILT RH							
EML1-UP; EZW1-UP; FMR1-UP							
	3787963		P-U-10	35 mm	70 mm	CTC-3712760	58.57
MODEL 259B3							
ANGLE BLADE							
YYZ1-UP							
	2259521		P-U-10	32 mm	63 mm	CTC-1771958	94.81
	2749930		I-U-10	35 mm	70 mm	CTC-2666140	56.16
BUCKET							
YYZ1-UP							
	1545018		P-U-10	30 mm	60 mm	CTC-1643213	91.04
	2781969		I-U-10	30 mm	60 mm	CTC-2781970	66.84
	2936264		I-U-10	30 mm	50 mm	CTC-2620941	34.55
GRAPPLE							
YYZ1-UP							
	2550843		I-U-10	25 mm	40 mm	CTC-2863591	28.31
	2781975		I-U-10	30 mm	60 mm	CTC-2781970	66.84
LIFT							
YYZ1-UP							
	3294955		P-U-10	45 mm	65 mm	CTC-3712737	64.20
TILT							
YYZ1-UP							
	2749931		I-U-10	35 mm	70 mm	CTC-2666140	56.16
TILT LH							
YYZ1-UP							
	3294954		P-U-10	35 mm	70 mm	CTC-3712760	58.57
	3294954		Bushing	35 mm		CTC-2965140	10.43
TILT RH							
YYZ1-UP							
	3294953		P-U-10	35 mm	70 mm	CTC-3712760	58.57
	3294953		Bushing	35 mm		CTC-2965140	10.43
MODEL 259D							
ANGLE BLADE							
FTK1-UP; FTL1-UP; GTK1-UP							
	2259521		P-U-10	32 mm	63 mm	CTC-1771958	94.81
	2749930		I-U-10	35 mm	70 mm	CTC-2666140	56.16
BUCKET							
FTK1-UP; FTL1-UP; GTK1-UP							
	2781969		I-U-10	30 mm	60 mm	CTC-2781970	66.84
	2936264		I-U-10	30 mm	50 mm	CTC-2620941	34.55
GRAPPLE							
FTK1-UP; FTL1-UP; GTK1-UP							
	2550943		I-U-10	25 mm	40 mm	CTC-2863591	28.31
	2781975		I-U-10	30 mm	60 mm	CTC-2781970	66.84

REPLACEMENT KITS FOR CATERPILLAR® EQUIPMENT

Loaders - Track Skid Steer							
APPLICATION	CYL #	Misc-Parts, Instructions, etc.	CODE	ROD	BORE	KIT #	List \$
MODEL 259D							
LIFT							
FTK1-UP; FTL1-UP; GTK1-UP							
3805668			P-U-10	45 mm	65 mm	CTC-3712737	64.20
3805668			Bushing	45 mm		CTC-2965141	11.84
TILT							
FTK1-UP; FTL1-UP; GTK1-UP							
2749931			I-U-10	35 mm	70 mm	CTC-2666140	56.16
TILT LH							
FTK1-UP; FTL1-UP; GTK1-UP							
3787964			P-U-10	35 mm	70 mm	CTC-3712760	58.57
3787964			Bushing	35 mm		CTC-2965140	10.43
TILT RH							
FTK1-UP; FTL1-UP; GTK1-UP							
3787963			P-U-10	35 mm	70 mm	CTC-3712760	58.57
3787963			Bushing	35 mm		CTC-2965140	10.43
MODEL 267B							
ANGLE BLADE							
CYC1-UP							
2259521			P-U-10	32 mm	63 mm	CTC-1771958	94.81
2749930			I-U-10	35 mm	70 mm	CTC-2666140	56.16
BUCKET							
CYC1-UP							
1545018			P-U-10	30 mm	60 mm	CTC-1643213	91.04
2781969			I-U-10	30 mm	60 mm	CTC-2781970	66.84
2936264			I-U-10	30 mm	50 mm	CTC-2620941	34.55
GRAPPLE							
CYC1-UP							
1565512			P-U-10	30 mm	60 mm	CTC-1643213	91.04
1649295			P-U-10	25 mm	40 mm	CTC-1725285	78.24
2550943			I-U-10	25 mm	40 mm	CTC-2863591	28.31
2781975			I-U-10	30 mm	60 mm	CTC-2781970	66.84
LIFT LH							
CYC1-UP							
2303685			P-U-10	40 mm	60 mm	CTC-2186823	81.28
LIFT RH							
CYC1-UP							
2303695			P-U-10	40 mm	60 mm	CTC-2186823	81.28
TILT							
CYC1-UP							
2749931			I-U-10	35 mm	70 mm	CTC-2666140	56.16
TILT LH							
CYC1-UP							
2303687			P-U-10	35 mm	70 mm	CTC-2186822	101.27
TILT RH							
CYC1-UP							
2303697			P-U-10	35 mm	70 mm	CTC-2186822	101.27
MODEL 272D							
ANGLE BLADE							
B5W1-UP; GSL1-UP							
2749930			I-U-10	35 mm	70 mm	CTC-2666140	56.16
BUCKET							
B5W1-UP; GSL1-UP							
2781969			I-U-10	30 mm	60 mm	CTC-2781970	66.84
GRAPPLE							
B5W1-UP; GSL1-UP							
2550943			I-U-10	25 mm	40 mm	CTC-2863591	28.31

REPLACEMENT KITS FOR CATERPILLAR® EQUIPMENT

Loaders - Track Skid Steer							
APPLICATION	CYL #	Misc-Parts, Instructions, etc.	CODE	ROD	BORE	KIT #	List \$
MODEL 272D							
LIFT							
	B5W1-UP; GSL1-UP						
	3463785		I-U-10	50 mm	70 mm	CTC-3806119	96.67
TILT							
	B5W1-UP; GSL1-UP						
	2749931		I-U-10	35 mm	70 mm	CTC-2666140	56.16
TILT LH							
	B5W1-UP; GSL1-UP						
	2935712		P-U-10	35 mm	75 mm	CTC-3712751	62.21
	2935712		Bushing	35 mm		CTC-2965140	10.43
TILT RH							
	B5W1-UP; GSL1-UP						
	2935711		P-U-10	35 mm	75 mm	CTC-3712751	62.21
	2935711		Bushing	35 mm		CTC-2965140	10.43
MODEL 272D XHP							
ANGLE BLADE							
	ETL1-UP						
	2749930		I-U-10	35 mm	70 mm	CTC-2666140	56.16
BUCKET							
	ETL1-UP; SHY1-UP						
	2781969		I-U-10	30 mm	60 mm	CTC-2781970	66.84
GRAPPLE							
	ETL1-UP; SHY1-UP						
	2550943		I-U-10	25 mm	40 mm	CTC-2863591	28.31
LIFT							
	ETL1-UP; SHY1-UP						
	3463785		I-U-10	50 mm	70 mm	CTC-3806119	96.67
TILT							
	ETL1-UP						
	2749931		I-U-10	35 mm	70 mm	CTC-2666140	56.16
TILT LH							
	ETL1-UP; SHY1-UP						
	2935712		P-U-10	35 mm	75 mm	CTC-3712751	62.21
	2935712		Bushing	35 mm		CTC-2965140	10.43
TILT RH							
	ETL1-UP; SHY1-UP						
	2935711		P-U-10	35 mm	75 mm	CTC-3712751	62.21
	2935711		Bushing	35 mm		CTC-2965140	10.43
MODEL 277B							
ANGLE BLADE							
	MDH1-UP						
	2259521		P-U-10	32 mm	63 mm	CTC-1771958	94.81
	2749930		I-U-10	35 mm	70 mm	CTC-2666140	56.16
BUCKET							
	MDH1-UP						
	1545018		P-U-10	30 mm	60 mm	CTC-1643213	91.04
	2781969		I-U-10	30 mm	60 mm	CTC-2781970	66.84
	2936264		I-U-10	30 mm	50 mm	CTC-2620941	34.55
GRAPPLE							
	MDH1-UP						
	1565512		P-U-10	30 mm	60 mm	CTC-1643213	91.04
	1649295		P-U-10	25 mm	40 mm	CTC-1725285	78.24
	2550943		I-U-10	25 mm	40 mm	CTC-2863591	28.31
	2781975		I-U-10	30 mm	60 mm	CTC-2781970	66.84

REPLACEMENT KITS FOR CATERPILLAR® EQUIPMENT

Loaders - Track Skid Steer							
APPLICATION	CYL #	Misc-Parts, Instructions, etc.	CODE	ROD	BORE	KIT #	List \$
MODEL 277B							
LIFT LH							
	MDH1-UP						
	2303685		P-U-10	40 mm	60 mm	CTC-2186823	81.28
LIFT RH							
	MDH1-UP						
	2303695		P-U-10	40 mm	60 mm	CTC-2186823	81.28
TILT							
	MDH1-UP						
	2749931		I-U-10	35 mm	70 mm	CTC-2666140	56.16
TILT LH							
	MDH1-UP						
	2303687		P-U-10	35 mm	70 mm	CTC-2186822	101.27
TILT RH							
	MDH1-UP						
	2303697		P-U-10	35 mm	70 mm	CTC-2186822	101.27
MODEL 277C							
ANGLE BLADE							
	JWF1-UP						
	2259521		P-U-10	32 mm	63 mm	CTC-1771958	94.81
	2749930		I-U-10	35 mm	70 mm	CTC-2666140	56.16
BUCKET							
	JWF1-UP						
	1545018		P-U-10	30 mm	60 mm	CTC-1643213	91.04
	2781969		I-U-10	30 mm	60 mm	CTC-2781970	66.84
	2936264		I-U-10	30 mm	50 mm	CTC-2620941	34.55
GRAPPLE							
	JWF1-UP						
	1649295		P-U-10	25 mm	40 mm	CTC-1725285	78.24
	2550973		I-U-10	25 mm	40 mm	CTC-2863591	28.31
	2781975		I-U-10	30 mm	60 mm	CTC-2781970	66.84
LIFT							
	JWF1-2295; KCC1-199						
	2582512		P-U-10	45 mm	65 mm	CTC-2186824	85.76
	JWF1460-UP; KCC200-UP						
	2935710		P-U-10	45 mm	65 mm	CTC-3712737	64.20
	2935710		Bushing	45 mm		CTC-2965141	11.84
TILT							
	JWF1-UP						
	2749931		I-U-10	35 mm	70 mm	CTC-2666140	56.16
TILT LH							
	JWF1-2297; KCC1-204						
	2582515		P-U-10	35 mm	75 mm	CTC-2583621	62.57
	JWF1460-UP; KCC205-UP						
	2935712		P-U-10	35 mm	75 mm	CTC-3712751	62.21
	2935712		Bushing	35 mm		CTC-2965140	10.43
TILT RH							
	JWF1-2297; KCC1-204						
	2582514		P-U-10	35 mm	75 mm	CTC-2583621	62.57
	JWF1460-UP; KCC205-UP						
	2935711		P-U-10	35 mm	75 mm	CTC-3712751	62.21
	2935711		Bushing	35 mm		CTC-2965140	10.43
MODEL 277C2							
ANGLE BLADE							
	MET1-UP						
	2749930		I-U-10	35 mm	70 mm	CTC-2666140	56.16

CATERPILLAR®

REPLACEMENT KITS FOR CATERPILLAR® EQUIPMENT

Loaders - Track Skid Steer							
APPLICATION	CYL #	Misc-Parts, Instructions, etc.	CODE	ROD	BORE	KIT #	List \$
MODEL 277C2							
BUCKET							
MET1-UP							
	2781969		I-U-10	30 mm	60 mm	CTC-2781970	66.84
	2936264		I-U-10	30 mm	50 mm	CTC-2620941	34.55
GRAPPLE							
MET1-UP							
	2550943		I-U-10	25 mm	40 mm	CTC-2863591	28.31
	2781975		I-U-10	30 mm	60 mm	CTC-2781970	66.84
LIFT							
MET1-UP							
	2935710		P-U-10	45 mm	65 mm	CTC-3712737	64.20
	2935710		Bushing	45 mm		CTC-2965141	11.84
TILT							
MET1-UP							
	2749931		I-U-10	35 mm	70 mm	CTC-2666140	56.16
TILT LH							
MET1-UP							
	2935712		P-U-10	35 mm	75 mm	CTC-3712751	62.21
	2935712		Bushing	35 mm		CTC-2965140	10.43
TILT RH							
MET1-UP							
	2935711		P-U-10	35 mm	75 mm	CTC-3712751	62.21
	2935711		Bushing	35 mm		CTC-2965140	10.43
MODEL 279C							
ANGLE BLADE							
MBT1-UP							
	2259521		P-U-10	32 mm	63 mm	CTC-1771958	94.81
	2749930		I-U-10	35 mm	70 mm	CTC-2666140	56.16
BUCKET							
MBT1-UP							
	2781969		I-U-10	30 mm	60 mm	CTC-2781970	66.84
	2936264		I-U-10	30 mm	50 mm	CTC-2620941	34.55
GRAPPLE							
MBT1-UP							
	2550943		I-U-10	25 mm	40 mm	CTC-2863591	28.31
	2781975		I-U-10	30 mm	60 mm	CTC-2781970	66.84
LIFT							
MBT1-UP							
	2582512		P-U-10	45 mm	65 mm	CTC-2186824	85.76
	2935710		P-U-10	45 mm	65 mm	CTC-3712737	64.20
	2935710		Bushing	45 mm		CTC-2965141	11.84
TILT							
MBT1-UP							
	2749931		I-U-10	35 mm	70 mm	CTC-2666140	56.16
TILT LH							
MBT1-UP							
	2582515		P-U-10	35 mm	75 mm	CTC-2583621	62.57
	2935712		P-U-10	35 mm	75 mm	CTC-3712751	62.21
	2935712		Bushing	35 mm		CTC-2965140	10.43
TILT RH							
MBT1-UP							
	2582514		P-U-10	35 mm	75 mm	CTC-2583621	62.57
	2935711		P-U-10	35 mm	75 mm	CTC-3712751	62.21
	2935711		Bushing	35 mm		CTC-2965140	10.43

REPLACEMENT KITS FOR CATERPILLAR® EQUIPMENT

Loaders - Track Skid Steer							
APPLICATION	CYL #	Misc-Parts, Instructions, etc.	CODE	ROD	BORE	KIT #	List \$
MODEL 279C2							
ANGLE BLADE							
	KWB1-UP						
	2749930		I-U-10	35 mm	70 mm	CTC-2666140	56.16
BUCKET							
	KWB1-UP						
	2781969		I-U-10	30 mm	60 mm	CTC-2781970	66.84
	2936264		I-U-10	30 mm	50 mm	CTC-2620941	34.55
GRAPPLE							
	KWB1-UP						
	2550943		I-U-10	25 mm	40 mm	CTC-2863591	28.31
	2781975		I-U-10	30 mm	60 mm	CTC-2781970	66.84
LIFT							
	KWB1-UP						
	2935710		P-U-10	45 mm	65 mm	CTC-3712737	64.20
	2935710		Bushing	45 mm		CTC-2965141	11.84
TILT							
	KWB1-UP						
	2749931		I-U-10	35 mm	70 mm	CTC-2666140	56.16
TILT LH							
	KWB1-UP						
	2935712		P-U-10	35 mm	75 mm	CTC-3712751	62.21
	2935712		Bushing	35 mm		CTC-2965140	10.43
TILT RH							
	KWB1-UP						
	2935711		P-U-10	35 mm	75 mm	CTC-3712751	62.21
	2935711		Bushing	35 mm		CTC-2965140	10.43
MODEL 279D							
ANGLE BLADE							
	GTL1-UP; PPT1-UP; RCX1-UP						
	2749930		I-U-10	35 mm	70 mm	CTC-2666140	56.16
BUCKET							
	GTL1-UP; PPT1-UP; RCX1-UP						
	2781969		I-U-10	30 mm	60 mm	CTC-2781970	66.84
GRAPPLE							
	GTL1-UP; PPT1-UP; RCX1-UP						
	2550943		I-U-10	25 mm	40 mm	CTC-2863591	28.31
LIFT							
	GTL1-UP; PPT1-UP; RCX1-UP; WEF1-UP						
	3757845		I-U-10	50 mm	70 mm	CTC-3806119	96.67
TILT							
	GTL1-UP; PPT1-UP; RCX1-UP						
	2749931		I-U-10	35 mm	70 mm	CTC-2666140	56.16
TILT LH							
	GTL1-UP; PPT1-UP; RCX1-UP; WEF1-UP						
	2935712		P-U-10	35 mm	75 mm	CTC-3712751	62.21
	2935712		Bushing	35 mm		CTC-2965140	10.43
TILT RH							
	GTL1-UP; PPT1-UP; RCX1-UP; WEF1-UP						
	2935711		P-U-10	35 mm	75 mm	CTC-3712751	62.21
	2935711		Bushing	35 mm		CTC-2965140	10.43
MODEL 287B							
ANGLE BLADE							
	ZSA1-UP						
	2259521		P-U-10	32 mm	63 mm	CTC-1771958	94.81

CATERPILLAR®

REPLACEMENT KITS FOR CATERPILLAR® EQUIPMENT

Loaders - Track Skid Steer							
APPLICATION	CYL #	Misc-Parts, Instructions, etc.	CODE	ROD	BORE	KIT #	List \$
MODEL 287B							
BUCKET							
ZSA1-UP							
	1545018		P-U-10	30 mm	60 mm	CTC-1643213	91.04
	2781969		I-U-10	30 mm	60 mm	CTC-2781970	66.84
	2936264		I-U-10	30 mm	50 mm	CTC-2620941	34.55
GRAPPLE							
ZSA1-UP							
	1565512		P-U-10	30 mm	60 mm	CTC-1643213	91.04
	1649295		P-U-10	25 mm	40 mm	CTC-1725285	78.24
	2550943		I-U-10	25 mm	40 mm	CTC-2863591	28.31
	2781975		I-U-10	30 mm	60 mm	CTC-2781970	66.84
LIFT							
ZSA1-UP							
	2303705		P-U-10	45 mm	65 mm	CTC-2186824	85.76
TILT LH							
ZSA1-UP							
	2303687		P-U-10	35 mm	70 mm	CTC-2186822	101.27
TILT RH							
ZSA1-UP							
	2303697		P-U-10	35 mm	70 mm	CTC-2186822	101.27
MODEL 287C							
ANGLE BLADE							
MAS1-UP							
	2259521		P-U-10	32 mm	63 mm	CTC-1771958	94.81
	2749930		I-U-10	35 mm	70 mm	CTC-2666140	56.16
BUCKET							
MAS1-UP							
	1545018		P-U-10	30 mm	60 mm	CTC-1643213	91.04
	2781969		I-U-10	30 mm	60 mm	CTC-2781970	66.84
	2936264		I-U-10	30 mm	50 mm	CTC-2620941	34.55
	5622803		P-U-10	30 mm	60 mm	CTC-5799491	92.41
GRAPPLE							
MAS1-UP							
	1649295		P-U-10	25 mm	40 mm	CTC-1725285	78.24
	2550943		I-U-10	25 mm	40 mm	CTC-2863591	28.31
	2781975		I-U-10	30 mm	60 mm	CTC-2781970	66.84
	5622802		P-U-10	30 mm	60 mm	CTC-5799491	92.41
LIFT							
MAS1-UP							
	2582516		P-U-10	45 mm	65 mm	CTC-2186824	85.76
	2935713		P-U-10	45 mm	65 mm	CTC-3712737	64.20
	2935713		Bushing	45 mm		CTC-2965141	11.84
TILT							
MAS1-UP							
	2749931		I-U-10	35 mm	70 mm	CTC-2666140	56.16
TILT LH							
MAS1-UP							
	2582515		P-U-10	35 mm	75 mm	CTC-2583621	62.57
	2935712		P-U-10	35 mm	75 mm	CTC-3712751	62.21
	2935712		Bushing	35 mm		CTC-2965140	10.43
TILT RH							
MAS1-UP							
	2582514		P-U-10	35 mm	75 mm	CTC-2583621	62.57
	2935711		P-U-10	35 mm	75 mm	CTC-3712751	62.21
	2935711		Bushing	35 mm		CTC-2965140	10.43

REPLACEMENT KITS FOR CATERPILLAR® EQUIPMENT

Loaders - Track Skid Steer							
APPLICATION	CYL #	Misc-Parts, Instructions, etc.	CODE	ROD	BORE	KIT #	List \$
MODEL 287C2							
BUCKET							
SSB1-UP							
	2781969		I-U-10	30 mm	60 mm	CTC-2781970	66.84
	2936264		I-U-10	30 mm	50 mm	CTC-2620941	34.55
GRAPPLE							
SSB1-UP							
	2550943		I-U-10	25 mm	40 mm	CTC-2863591	28.31
	2781975		I-U-10	30 mm	60 mm	CTC-2781970	66.84
LIFT							
SSB1-UP							
	2935713		P-U-10	45 mm	65 mm	CTC-3712737	64.20
	2935713		Bushing	45 mm		CTC-2965141	11.84
TILT							
SSB1-UP							
	2749931		I-U-10	35 mm	70 mm	CTC-2666140	56.16
TILT LH							
SSB1-UP							
	2935712		P-U-10	35 mm	75 mm	CTC-3712751	62.21
	2935712		Bushing	35 mm		CTC-2965140	10.43
TILT RH							
SSB1-UP							
	2935711		P-U-10	35 mm	75 mm	CTC-3712751	62.21
	2935711		Bushing	35 mm		CTC-2965140	10.43
MODEL 287D							
ANGLE BLADE							
HMT1-UP; STK1-UP; TLK1-UP							
	2259521		P-U-10	32 mm	63 mm	CTC-1771958	94.81
	2749930		I-U-10	35 mm	70 mm	CTC-2666140	56.16
BUCKET							
HMT1-UP; STK1-UP; TLK1-UP							
	2781969		I-U-10	30 mm	60 mm	CTC-2781970	66.84
	2936264		I-U-10	30 mm	50 mm	CTC-2620941	34.55
	5622803		P-U-10	30 mm	60 mm	CTC-5799491	92.41
COUPLER							
HMT1-UP; STK1-UP; TLK1-UP							
	5154591		I-U-10	25 mm	50 mm	CTC-5187949	75.56
GRAPPLE							
HMT1-UP; STK1-UP; TLK1-UP							
	2550943		I-U-10	25 mm	40 mm	CTC-2863591	28.31
	2781975		I-U-10	30 mm	60 mm	CTC-2781970	66.84
	4827647		I-U-10	1-1/4	3	CTC-5052263	79.76
	5622802		P-U-10	30 mm	60 mm	CTC-5799491	92.41
LIFT							
HMT1-UP; STK1-UP; TLK1-UP							
	4924507		P-U-10	45 mm	65 mm	CTC-3712737	64.20
TILT							
HMT1-UP; STK1-UP; TLK1-UP							
	2749931		I-U-10	35 mm	70 mm	CTC-2666140	56.16
TILT LH							
HMT1-UP; STK1-UP; TLK1-UP							
	2935712		P-U-10	35 mm	75 mm	CTC-3712751	62.21
	2935712		Bushing	35 mm		CTC-2965140	10.43
TILT RH							
HMT1-UP; STK1-UP; TLK1-UP							
	2935711		P-U-10	35 mm	75 mm	CTC-3712751	62.21
	2935711		Bushing	35 mm		CTC-2965140	10.43

CATERPILLAR®

REPLACEMENT KITS FOR CATERPILLAR® EQUIPMENT

Loaders - Track Skid Steer							
APPLICATION	CYL #	Misc-Parts, Instructions, etc.	CODE	ROD	BORE	KIT #	List \$
MODEL 289C							
ANGLE BLADE							
JMP1-UP							
	2259521		P-U-10	32 mm	63 mm	CTC-1771958	94.81
	2749930		I-U-10	35 mm	70 mm	CTC-2666140	56.16
BUCKET							
JMP1-UP							
	2781969		I-U-10	30 mm	60 mm	CTC-2781970	66.84
	2936264		I-U-10	30 mm	50 mm	CTC-2620941	34.55
GRAPPLE							
JMP1-UP							
	2550943		I-U-10	25 mm	40 mm	CTC-2863591	28.31
	2781975		I-U-10	30 mm	60 mm	CTC-2781970	66.84
LIFT							
JMP1-1150; JMP1155-1245							
	2582516		P-U-10	45 mm	65 mm	CTC-2186824	85.76
JMP1151-1154; JMP1246-UP							
	2935713		P-U-10	45 mm	65 mm	CTC-3712737	64.20
	2935713		Bushing	45 mm		CTC-2965141	11.84
TILT							
JMP1-UP							
	2749931		I-U-10	35 mm	70 mm	CTC-2666140	56.16
TILT LH							
JMP1-1150; JMP1155-1227							
	2582515		P-U-10	35 mm	75 mm	CTC-2583621	62.57
JMP1151-1154; JMP1228-UP							
	2935712		P-U-10	35 mm	75 mm	CTC-3712751	62.21
	2935712		Bushing	35 mm		CTC-2965140	10.43
TILT RH							
JMP1-1150; JMP1155-1227							
	2582514		P-U-10	35 mm	75 mm	CTC-2583621	62.57
JMP1151-1154; JMP1228-UP							
	2935711		P-U-10	35 mm	75 mm	CTC-3712751	62.21
	2935711		Bushing	35 mm		CTC-2965140	10.43
MODEL 289C2							
ANGLE BLADE							
RTD1-UP							
	2749930		I-U-10	35 mm	70 mm	CTC-2666140	56.16
BUCKET							
RTD1-UP							
	2781969		I-U-10	30 mm	60 mm	CTC-2781970	66.84
	2936264		I-U-10	30 mm	50 mm	CTC-2620941	34.55
GRAPPLE							
RTD1-UP							
	2550943		I-U-10	25 mm	40 mm	CTC-2863591	28.31
	2781975		I-U-10	30 mm	60 mm	CTC-2781970	66.84
LIFT							
RTD1-UP							
	2935713		P-U-10	45 mm	65 mm	CTC-3712737	64.20
	2935713		Bushing	45 mm		CTC-2965141	11.84
TILT							
RTD1-UP							
	2749931		I-U-10	35 mm	70 mm	CTC-2666140	56.16
TILT LH							
RTD1-UP							
	2935712		P-U-10	35 mm	75 mm	CTC-3712751	62.21
	2935712		Bushing	35 mm		CTC-2965140	10.43

REPLACEMENT KITS FOR CATERPILLAR® EQUIPMENT

Loaders - Track Skid Steer							
APPLICATION	CYL #	Misc-Parts, Instructions, etc.	CODE	ROD	BORE	KIT #	List \$
MODEL 289C2							
TILT RH							
RTD1-UP							
	2935711		P-U-10	35 mm	75 mm	CTC-3712751	62.21
	2935711		Bushing	35 mm		CTC-2965140	10.43
MODEL 289D							
ANGLE BLADE							
A9Z1-UP; TAW1-UP; WCT1-UP							
	2749930		I-U-10	35 mm	70 mm	CTC-2666140	56.16
BUCKET							
A9Z1-UP; TAW1-UP; WCT1-UP							
	2781969		I-U-10	30 mm	60 mm	CTC-2781970	66.84
GRAPPLE							
A9Z1-UP; TAW1-UP; WCT1-UP							
	2550943		I-U-10	25 mm	40 mm	CTC-2863591	28.31
LIFT							
A9Z1-UP; TAW1-UP; WCT1-UP							
	3779483		P-U-10	45 mm	65 mm	CTC-3712737	64.20
	3779483		Bushing	45 mm		CTC-2965141	11.84
TILT							
A9Z1-UP; TAW1-UP; WCT1-UP							
	2749931		I-U-10	35 mm	70 mm	CTC-2666140	56.16
TILT LH							
A9Z1-UP; TAW1-UP; WCT1-UP							
	2935712		P-U-10	35 mm	75 mm	CTC-3712751	62.21
	2935712		Bushing	35 mm		CTC-2965140	10.43
TILT RH							
A9Z1-UP; TAW1-UP; WCT1-UP							
	2935711		P-U-10	35 mm	75 mm	CTC-3712751	62.21
	2935711		Bushing	35 mm		CTC-2965140	10.43
MODEL 297C							
ANGLE BLADE							
GCP1-UP							
	2259521		P-U-10	32 mm	63 mm	CTC-1771958	94.81
	2749930		I-U-10	35 mm	70 mm	CTC-2666140	56.16
BUCKET							
GCP1-UP							
	1545018		P-U-10	30 mm	60 mm	CTC-1643213	91.04
	2781969		I-U-10	30 mm	60 mm	CTC-2781970	66.84
	2936264		I-U-10	30 mm	50 mm	CTC-2620941	34.55
GRAPPLE							
GCP1-UP							
	1649295		P-U-10	25 mm	40 mm	CTC-1725285	78.24
	2550943		I-U-10	25 mm	40 mm	CTC-2863591	28.31
	2781975		I-U-10	30 mm	60 mm	CTC-2781970	66.84
	5622802		P-U-10	30 mm	60 mm	CTC-5799491	92.41
LIFT							
GCP1-1637; GCP1639-1651							
	2582516		P-U-10	45 mm	65 mm	CTC-2186824	85.76
GCP1638; GCP1652-UP							
	2935713		P-U-10	45 mm	65 mm	CTC-3712737	64.20
	2935713		Bushing	45 mm		CTC-2965141	11.84
TILT							
GCP1-UP							
	2749931		I-U-10	35 mm	70 mm	CTC-2666140	56.16

REPLACEMENT KITS FOR CATERPILLAR® EQUIPMENT

Loaders - Track Skid Steer							
APPLICATION	CYL #	Misc-Parts, Instructions, etc.	CODE	ROD	BORE	KIT #	List \$
MODEL 297C							
TILT LH							
GCP1-1637; GCP1639-1651							
	2582515		P-U-10	35 mm	75 mm	CTC-2583621	62.57
GCP1638; GCP1652-UP							
	2935712		P-U-10	35 mm	75 mm	CTC-3712751	62.21
	2935712		Bushing	35 mm		CTC-2965140	10.43
TILT RH							
GCP1-1637; GCP1639-1651							
	2582514		P-U-10	35 mm	75 mm	CTC-2583621	62.57
GCP1638; GCP1652-UP							
	2935711		P-U-10	35 mm	75 mm	CTC-3712751	62.21
	2935711		Bushing	35 mm		CTC-2965140	10.43
MODEL 297D							
ANGLE BLADE							
BE71-UP							
	2259521		P-U-10	32 mm	63 mm	CTC-1771958	94.81
	2749930		I-U-10	35 mm	70 mm	CTC-2666140	56.16
BUCKET							
BE71-UP							
	2781969		I-U-10	30 mm	60 mm	CTC-2781970	66.84
	2936264		I-U-10	30 mm	50 mm	CTC-2620941	34.55
	5622803		P-U-10	30 mm	60 mm	CTC-5799491	92.41
COUPLER							
BE71-UP							
	5154591		I-U-10	25 mm	50 mm	CTC-5187949	75.56
GRAPPLE							
BE71-UP							
	2550943		I-U-10	25 mm	40 mm	CTC-2863591	28.31
	2781975		I-U-10	30 mm	60 mm	CTC-2781970	66.84
	4827647		I-U-10	1-1/4	3	CTC-5052263	79.76
	5622802		P-U-10	30 mm	60 mm	CTC-5799491	92.41
LIFT							
BE71-UP							
	4924504		I-U-10	50 mm	70 mm	CTC-3806119	96.67
TILT							
BE71-UP							
	2749931		I-U-10	35 mm	70 mm	CTC-2666140	56.16
TILT LH							
BE71-UP							
	2935712		P-U-10	35 mm	75 mm	CTC-3712751	62.21
	2935712		Bushing	35 mm		CTC-2965140	10.43
TILT RH							
BE71-UP							
	2935711		P-U-10	35 mm	75 mm	CTC-3712751	62.21
	2935711		Bushing	35 mm		CTC-2965140	10.43
MODEL 297D XHP							
ANGLE BLADE							
HP71-UP							
	2259521		P-U-10	32 mm	63 mm	CTC-1771958	94.81
	2749930		I-U-10	35 mm	70 mm	CTC-2666140	56.16
BUCKET							
HP71-UP							
	2781969		I-U-10	30 mm	60 mm	CTC-2781970	66.84
	2936264		I-U-10	30 mm	50 mm	CTC-2620941	34.55

REPLACEMENT KITS FOR CATERPILLAR® EQUIPMENT

Loaders - Track Skid Steer							
APPLICATION	CYL #	Misc-Parts, Instructions, etc.	CODE	ROD	BORE	KIT #	List \$
MODEL 297D XHP							
COUPLER							
HP71-UP							
	5154591		I-U-10	25 mm	50 mm	CTC-5187949	75.56
GRAPPLE							
HP71-UP							
	2550943		I-U-10	25 mm	40 mm	CTC-2863591	28.31
	2781975		I-U-10	30 mm	60 mm	CTC-2781970	66.84
	4827647		I-U-10	1-1/4	3	CTC-5052263	79.76
	5622802		P-U-10	30 mm	60 mm	CTC-5799491	92.41
LIFT							
HP71-UP							
	4924504		I-U-10	50 mm	70 mm	CTC-3806119	96.67
TILT							
HP71-UP							
	2749931		I-U-10	35 mm	70 mm	CTC-2666140	56.16
TILT LH							
HP71-UP							
	2935712		P-U-10	35 mm	75 mm	CTC-3712751	62.21
	2935712		Bushing	35 mm		CTC-2965140	10.43
TILT RH							
HP71-UP							
	2935711		P-U-10	35 mm	75 mm	CTC-3712751	62.21
	2935711		Bushing	35 mm		CTC-2965140	10.43
MODEL 297D2							
ANGLE BLADE							
BL71-UP							
	2259521		P-U-10	32 mm	63 mm	CTC-1771958	94.81
	2749930		I-U-10	35 mm	70 mm	CTC-2666140	56.16
BUCKET							
BL71-UP							
	2781969		I-U-10	30 mm	60 mm	CTC-2781970	66.84
	2936264		I-U-10	30 mm	50 mm	CTC-2620941	34.55
	5622803		P-U-10	30 mm	60 mm	CTC-5799491	92.41
COUPLER							
BL71-UP							
	5154591		I-U-10	25 mm	50 mm	CTC-5187949	75.56
GRAPPLE							
BL71-UP							
	2550943		I-U-10	25 mm	40 mm	CTC-2863591	28.31
	2781975		I-U-10	30 mm	60 mm	CTC-2781970	66.84
	4827647		I-U-10	1-1/4	3	CTC-5052263	79.76
	5622802		P-U-10	30 mm	60 mm	CTC-5799491	92.41
LIFT							
BL71-UP							
	4924504		I-U-10	50 mm	70 mm	CTC-3806119	96.67
TILT							
BL71-UP							
	2749931		I-U-10	35 mm	70 mm	CTC-2666140	56.16
TILT LH							
BL71-UP							
	2935712		P-U-10	35 mm	75 mm	CTC-3712751	62.21
	2935712		Bushing	35 mm		CTC-2965140	10.43
TILT RH							
BL71-UP							
	2935711		P-U-10	35 mm	75 mm	CTC-3712751	62.21
	2935711		Bushing	35 mm		CTC-2965140	10.43

REPLACEMENT KITS FOR CATERPILLAR® EQUIPMENT

Loaders - Track Skid Steer							
APPLICATION	CYL #	Misc-Parts, Instructions, etc.	CODE	ROD	BORE	KIT #	List \$
MODEL 297D2 XHP							
ANGLE BLADE							
	HP21-UP						
	2259521		P-U-10	32 mm	63 mm	CTC-1771958	94.81
	2749930		I-U-10	35 mm	70 mm	CTC-2666140	56.16
BUCKET							
	HP21-UP						
	2781969		I-U-10	30 mm	60 mm	CTC-2781970	66.84
	2936264		I-U-10	30 mm	50 mm	CTC-2620941	34.55
	5622803		P-U-10	30 mm	60 mm	CTC-5799491	92.41
COUPLER							
	HP21-UP						
	5154591		I-U-10	25 mm	50 mm	CTC-5187949	75.56
GRAPPLE							
	HP21-UP						
	2550943		I-U-10	25 mm	40 mm	CTC-2863591	28.31
	2781975		I-U-10	30 mm	60 mm	CTC-2781970	66.84
	4827647		I-U-10	1-1/4	3	CTC-5052263	79.76
	5622802		P-U-10	30 mm	60 mm	CTC-5799491	92.41
LIFT							
	HP21-UP						
	4924504		I-U-10	50 mm	70 mm	CTC-3806119	96.67
TILT							
	HP21-UP						
	2749931		I-U-10	35 mm	70 mm	CTC-2666140	56.16
TILT LH							
	HP21-UP						
	2935712		P-U-10	35 mm	75 mm	CTC-3712751	62.21
	2935712		Bushing	35 mm		CTC-2965140	10.43
TILT RH							
	HP21-UP						
	2935711		P-U-10	35 mm	75 mm	CTC-3712751	62.21
	2935711		Bushing	35 mm		CTC-2965140	10.43
MODEL 299C							
ANGLE BLADE							
	JSP1-UP						
	2259521		P-U-10	32 mm	63 mm	CTC-1771958	94.81
	2749930		I-U-10	35 mm	70 mm	CTC-2666140	56.16
BUCKET							
	JSP1-UP						
	2781969		I-U-10	30 mm	60 mm	CTC-2781970	66.84
	2936264		I-U-10	30 mm	50 mm	CTC-2620941	34.55
GRAPPLE							
	JSP1-UP						
	2550943		I-U-10	25 mm	40 mm	CTC-2863591	28.31
	2781975		I-U-10	30 mm	60 mm	CTC-2781970	66.84
LIFT							
	JSP1-966; JSP1001-1067						
	2582516		P-U-10	45 mm	65 mm	CTC-2186824	85.76
	JSP997-1000; JSP1068-JUP						
	2935713		P-U-10	45 mm	65 mm	CTC-3712737	64.20
	2935713		Bushing	45 mm		CTC-2965141	11.84
TILT							
	JSP1-UP						
	2749931		I-U-10	35 mm	70 mm	CTC-2666140	56.16

REPLACEMENT KITS FOR CATERPILLAR® EQUIPMENT

Loaders - Track Skid Steer							
APPLICATION	CYL #	Misc-Parts, Instructions, etc.	CODE	ROD	BORE	KIT #	List \$
MODEL 299C							
TILT LH							
JSP1-996; JSP1001-1054							
	2582515		P-U-10	35 mm	75 mm	CTC-2583621	62.57
JSP997-1000; JSP1055-UP							
	2935712		P-U-10	35 mm	75 mm	CTC-3712751	62.21
	2935712		Bushing	35 mm		CTC-2965140	10.43
TILT RH							
JSP1-996; JSP1001-1054							
	2582514		P-U-10	35 mm	75 mm	CTC-2583621	62.57
JSP997-1000; JSP1055-UP							
	2935711		P-U-10	35 mm	75 mm	CTC-3712751	62.21
	2935711		Bushing	35 mm		CTC-2965140	10.43
MODEL 299D							
ANGLE BLADE							
GTC1-UP; HCL1-UP							
	2749930		I-U-10	35 mm	70 mm	CTC-2666140	56.16
BUCKET							
GTC1-UP; HCL1-UP							
	2781969		I-U-10	30 mm	60 mm	CTC-2781970	66.84
HCL1-UP							
	2936264		I-U-10	30 mm	50 mm	CTC-2620941	34.55
GRAPPLE							
GTC1-UP; HCL1-UP							
	2550943		I-U-10	25 mm	40 mm	CTC-2863591	28.31
HCL1-UP							
	2781975		I-U-10	30 mm	60 mm	CTC-2781970	66.84
LIFT							
GTC1-UP; HCL1-UP							
	3463785		I-U-10	50 mm	70 mm	CTC-3806119	96.67
TILT							
GTC1-UP; HCL1-UP							
	2749931		I-U-10	35 mm	70 mm	CTC-2666140	56.16
TILT LH							
GTC1-UP; HCL1-UP							
	2935712		P-U-10	35 mm	75 mm	CTC-3712751	62.21
	2935712		Bushing	35 mm		CTC-2965140	10.43
TILT RH							
GTC1-UP; HCL1-UP							
	2935711		P-U-10	35 mm	75 mm	CTC-3712751	62.21
	2935711		Bushing	35 mm		CTC-2965140	10.43
MODEL 299D XHP							
ANGLE BLADE							
JST1-UP; NLC1-UP							
	2749930		I-U-10	35 mm	70 mm	CTC-2666140	56.16
BUCKET							
JST1-UP; NLC1-UP							
	2781969		I-U-10	30 mm	60 mm	CTC-2781970	66.84
NLC1-UP							
	2936264		I-U-10	30 mm	50 mm	CTC-2620941	34.55
GRAPPLE							
JST1-UP; NLC1-UP							
	2550943		I-U-10	25 mm	40 mm	CTC-2863591	28.31
NLC1-UP							
	2781975		I-U-10	30 mm	60 mm	CTC-2781970	66.84

CATERPILLAR®

REPLACEMENT KITS FOR CATERPILLAR® EQUIPMENT

Loaders - Track Skid Steer							
APPLICATION	CYL #	Misc-Parts, Instructions, etc.	CODE	ROD	BORE	KIT #	List \$
MODEL 299D XHP							
LIFT							
JST1-UP; NLC1-UP							
	3463785		I-U-10	50 mm	70 mm	CTC-3806119	96.67
TILT							
JST1-UP; NLC1-UP							
	2749931		I-U-10	35 mm	70 mm	CTC-2666140	56.16
TILT LH							
JST1-UP; NLC1-UP							
	2935712		P-U-10	35 mm	75 mm	CTC-3712751	62.21
	2935712		Bushing	35 mm		CTC-2965140	10.43
TILT RH							
JST1-UP; NLC1-UP							
	2935711		P-U-10	35 mm	75 mm	CTC-3712751	62.21
	2935711		Bushing	35 mm		CTC-2965140	10.43
MODEL 299D2							
ANGLE BLADE							
BY41-UP; DX21-UP; DX91-UP; FD21-UP							
	2259521		P-U-10	32 mm	63 mm	CTC-1771958	94.81
	2749930		I-U-10	35 mm	70 mm	CTC-2666140	56.16
BUCKET							
BY41-UP; DX21-UP; DX91-UP; FD21-UP							
	2936264		I-U-10	30 mm	50 mm	CTC-2620941	34.55
BY41-UP; DX21-UP; DX91-UP; FD21-UP; HLM1-UP							
	2781969		I-U-10	30 mm	60 mm	CTC-2781970	66.84
COUPLER							
BY41-UP; DX21-UP; DX91-UP; FD21-UP							
	5154591		I-U-10	25 mm	50 mm	CTC-5187949	75.56
GRAPPLE							
BY41-UP; DX21-UP; DX91-UP; FD21-UP							
	2550943		I-U-10	25 mm	40 mm	CTC-2863591	28.31
	2781975		I-U-10	30 mm	60 mm	CTC-2781970	66.84
	4827647		I-U-10	1-1/4	3	CTC-5052263	79.76
LIFT							
BY41-UP; DX21-UP; DX91-UP; FD21-UP; HLM1-UP							
	4924504		I-U-10	50 mm	70 mm	CTC-3806119	96.67
TILT							
BY41-UP; DX21-UP; DX91-UP; FD21-UP							
	2749931		I-U-10	35 mm	70 mm	CTC-2666140	56.16
BY41-UP; DX21-UP; DX91-UP; FD21-UP; HLM1-UP							
	2935711		P-U-10	35 mm	75 mm	CTC-3712751	62.21
	2935711		Bushing	35 mm		CTC-2965140	10.43
	2935712		P-U-10	35 mm	75 mm	CTC-3712751	62.21
	2935712		Bushing	35 mm		CTC-2965140	10.43
TRACK ADJUSTER							
BY41-UP; DX21-UP; DX91-UP; FD21-UP; HLM1-UP							
	3041898		TRK ADJ			CTC-SK100207	37.35
MODEL 299D2 XHP							
ANGLE BLADE							
BY41-UP; DX21-UP; DX91-UP; FD21-UP							
	2259521		P-U-10	32 mm	63 mm	CTC-1771958	94.81
	2749930		I-U-10	35 mm	70 mm	CTC-2666140	56.16
BUCKET							
BY41-UP; DX21-UP; DX91-UP; FD21-UP							
	2936264		I-U-10	30 mm	50 mm	CTC-2620941	34.55
BY41-UP; DX21-UP; DX91-UP; FD21-UP; HLM1-UP							
	2781969		I-U-10	30 mm	60 mm	CTC-2781970	66.84

REPLACEMENT KITS FOR CATERPILLAR® EQUIPMENT

Loaders - Track Skid Steer							
APPLICATION	CYL #	Misc-Parts, Instructions, etc.	CODE	ROD	BORE	KIT #	List \$
MODEL 299D2 XHP							
COUPLER							
	BY41-UP; DX21-UP; DX91-UP; FD21-UP						
	5154591		I-U-10	25 mm	50 mm	CTC-5187949	75.56
GRAPPLE							
	BY41-UP; DX21-UP; DX91-UP; FD21-UP						
	2550943		I-U-10	25 mm	40 mm	CTC-2863591	28.31
	2781975		I-U-10	30 mm	60 mm	CTC-2781970	66.84
	4827647		I-U-10	1-1/4	3	CTC-5052263	79.76
LIFT							
	BY41-UP; DX21-UP; DX91-UP; FD21-UP; HLM1-UP						
	4924504		I-U-10	50 mm	70 mm	CTC-3806119	96.67
TILT							
	BY41-UP; DX21-UP; DX91-UP; FD21-UP						
	2749931		I-U-10	35 mm	70 mm	CTC-2666140	56.16
	BY41-UP; DX21-UP; DX91-UP; FD21-UP; HLM1-UP						
	2935711		P-U-10	35 mm	75 mm	CTC-3712751	62.21
	2935711		Bushing	35 mm		CTC-2965140	10.43
	2935712		P-U-10	35 mm	75 mm	CTC-3712751	62.21
	2935712		Bushing	35 mm		CTC-2965140	10.43
TRACK ADJUSTER							
	BY41-UP; DX21-UP; DX91-UP; FD21-UP; HLM1-UP						
	3041898		TRK ADJ			CTC-SK100207	37.35
Loaders - Wheel							
APPLICATION	CYL #	Misc-Parts, Instructions, etc.	CODE	ROD	BORE	KIT #	List \$
MODEL 902							
STEERING							
	1349838		P-UB-10	35 mm	70 mm	CTC-4228805	82.44
UNSPECIFIED APPLICATION							
	9T4006		P-UB-10	1-1/2	3	CTC-7X2737	148.96
MODEL 904							
LIFT							
	4T8580		P-UB-10	2	3-3/4	CTC-7X2787	141.74
STEERING							
	1U4666		P-UB-10	1-1/2	2-3/4	CTC-7X2749	81.02
TILT							
	4T8581		P-UB-10	1-3/4	3-1/4	CTC-7X2764	94.31
MODEL 906							
BUCKET GRAPPLE							
	1649430		P-UB-10	1-1/4	2-1/2	CTC-4452682	52.51
LIFT							
	1344485		P-UB-10	55 mm	100 mm	CTC-1344485K	161.83
MULTIPURPOSE BUCKET							
	1349838		P-UB-10	35 mm	70 mm	CTC-4228805	82.44
	9T4006		P-UB-10	1-1/2	3	CTC-1856583	62.81
SIDE DUMP							
	1250373		P-UB-10	1-1/2	2-3/4	CTC-1856596	63.53
STEERING							
	1349838		P-UB-10	35 mm	70 mm	CTC-4228805	82.44
STEERING RH							
	1250373		P-UB-10	1-1/2	2-3/4	CTC-1856596	63.53
TILT							
	1350532		P-UB-10	50 mm	85 mm	CTC-1350532K	294.92
MODEL 906M							
BUCKET MP							
	H661-UP; K561-UP; Z661-UP						
	1851839		P-UB-10	1-1/2	3	CTC-2350354	47.14

CATERPILLAR®

REPLACEMENT KITS FOR CATERPILLAR® EQUIPMENT

Loaders - Wheel							
APPLICATION	CYL #	Misc-Parts, Instructions, etc.	CODE	ROD	BORE	KIT #	List \$
MODEL 906M							
COUPLER							
H661-UP; K561-UP; Z661-UP							
	1783713		I-U-10	1	2	CTC-1809872	161.75
	5083948		P-U-10	25 mm	50 mm	CTC-5635454	75.47
LIFT							
H661-UP; K561-UP; Z661-UP							
	2573975		P-UB-10	50 mm	75 mm	CTC-4483453	98.78
STEERING							
H661-UP; K561-UP; Z661-UP							
	2573976		P-UB-10	35 mm	80 mm	CTC-4481975	99.82
TILT							
H661-UP; K561-UP; Z661-UP							
	2573977		P-UB-10	55 mm	90 mm	CTC-4483564	109.26
MODEL 908							
HIGH DUMP							
	1349848		P-UB-10	35 mm	70 mm	CTC-1349838K	82.44
MULTIPURPOSE BUCKET							
	9T4006		P-UB-10	1-1/2	3	CTC-1856583	62.81
SIDE DUMP							
	1250373		P-UB-10	1-1/2	2-3/4	CTC-1856596	63.53
STEERING							
	1465137		P-UB-10	40 mm	90 mm	CTC-SK100065	60.77
	8BS1294-UP						
	2184349		P-UB-10	40 mm	90 mm	CTC-SK100065	60.77
MODEL 908M							
BUCKET MP							
H881-UP; K581-UP; Z881-UP							
	1851839		P-UB-10	1-1/2	3	CTC-2350354	47.14
COUPLER							
H881-UP; K581-UP							
	5083948		P-U-10	25 mm	50 mm	CTC-5635454	75.47
H881-UP; K581-UP; Z881-UP							
	1783713		I-U-10	1	2	CTC-1809872	161.75
LIFT							
H881-UP; K581-UP; Z881-UP							
	2605415		P-UB-10	50 mm	85 mm	CTC-4496299	101.63
STEERING							
H881-UP; K581-UP; Z881-UP							
	2573976		P-UB-10	35 mm	80 mm	CTC-4481975	99.82
TILT							
H881-UP; K581-UP; Z881-UP							
	2605417		P-UB-10	55 mm	100 mm	CTC-4496284	119.11
MODEL 910E, 910F							
BUCKET							
	8J5391		P-UB-10	1-1/2	3-1/2	CTC-7X2752	130.85
LIFT							
	6E5969		P-UB-10	2-1/4	4	CTC-1361171	139.03
	9T5745		P-UB-10	2-1/4	4	CTC-1361171	139.03
STEERING							
	9T7209		P-UB-10	1-1/2	2-3/4	CTC-1361599	139.86
	9T7210		P-UB-10	1-1/2	2-3/4	CTC-1361599	139.86
STEERING LH							
	6E5900		P-UB-10	1-3/4	2-3/4	CTC-1539053	190.69
	6E5973		P-UB-10	1-1/2	2-3/4	CTC-1361599	139.86
STEERING RH							
	6E5985		P-UB-10	1-1/2	2-3/4	CTC-1361599	139.86

REPLACEMENT KITS FOR CATERPILLAR® EQUIPMENT

Loaders - Wheel							
APPLICATION	CYL #	Misc-Parts, Instructions, etc.	CODE	ROD	BORE	KIT #	List \$
MODEL 910E, 910F							
TILT							
	6E5918		P-UB-10	2-1/4	4	CTC-1361171	139.03
	6E5966	Rod Bearing width- 0.98"	P-UB-10	2-1/2	4-3/4	CTC-1361131	196.39
	9T5778		P-UB-10	2-1/2	4-3/4	CTC-1358695	130.59
MODEL 914							
M.P. BUCKET TILT							
	4T4666		P-UB-10	2-1/2	4	CTC-7X2665	203.29
MODEL 914G							
STEERING							
	9T8823		I-U-3	1	2	CTC-9T0418	125.53
TILT							
	6E5918		P-UB-10	2-1/4	4	CTC-1361171	139.03
MODEL 924							
M.P. BUCKET TILT							
	4T5545		P-UB-10	2-1/2	4-1/4	CTC-7X2663	67.75
MODEL 924F							
LIFT							
	1342327		P-UB-10	2-1/4	4	CTC-1546526	196.04
	9T3937		P-UB-10	2-1/4	4	CTC-1546526	196.04
STEERING							
	9T2637		P-UB-10	1-1/2	2-3/4	CTC-1361599	139.86
TILT							
	1107845		P-UB-10	2-1/2	4-1/2	CTC-1113300	187.32
	1342671		P-UB-10	2-1/2	4-1/2	CTC-1113300	187.32
	6E4651		P-UB-10	2-1/2	4-1/2	CTC-1113300	187.32
MODEL 924G							
COUPLER							
	3PZ1-UP; 9SW1-UP; AAN1148-UP; DDA1-UP; EEB1-UP; RBB1-UP; WMB1-UP						
	1903085		I-U-10	1	2	CTC-1809872	161.75
	9SW1-UP						
	1880563		I-U-10	1	2	CTC-1809872	161.75
	9SW-UP; DDA1-UP						
	1783720		I-U-10	1	2	CTC-1809872	161.75
LIFT							
	1417483		P-UB-10	2-1/2	4	CTC-1542501	196.93
	9T8823		I-U-3	1	2	CTC-9T0418	125.53
	3DZ1-UP; 6YW1-UP						
	1524187		P-UB-10	2-1/2	4-1/4	CTC-2341951	226.86
	3PZ1-UP; 9SW1-UP; AAN1-UP; DDA1-UP; EEB1-UP; RBB1-UP; WMB1-UP						
	1417483		P-UB-10	2-1/2	4	CTC-2341949	67.52
LOG FORK							
	9SW1-UP						
	1491381		P-UB-10	2	3-1/2	CTC-2281778	106.58
MULTIPURPOSE BUCKET							
	DDA1-UP; EEB1-UP; WMB1-UP						
	2681322		I-U-10	40 mm	3-1/2	CTC-2711529	34.20
STEERING							
	1426251		P-UB-10	1-1/2	2-3/4	CTC-1361599	139.86
	3DZ1-UP; 3PZ1-UP; 6YW1-UP; 9SW1-UP; AAN1-UP; DDA1-UP; EEB1-UP; RBB1-UP; WMB1-UP						
	1426251		P-UB-10	1-1/2	2-3/4	CTC-2339204	85.83
	3DZ1-UP; 3PZ1-UP; 6YW1-UP; 9SW1-UP; AAN1-UP; RBB1-UP; WMB1-UP						
	1426251		P-UB-10	1-1/2	2-3/4	CTC-2339204	85.83
TILT							
	1525306		P-UB-10	2-1/2	4-3/4	CTC-1361131	196.39
	3DZ1-UP; 6YW1-UP						
	1525306		P-UB-10	2-1/2	4-3/4	CTC-2341948	124.29

REPLACEMENT KITS FOR CATERPILLAR® EQUIPMENT

Loaders - Wheel							
APPLICATION	CYL #	Misc-Parts, Instructions, etc.	CODE	ROD	BORE	KIT #	List \$
MODEL 924G							
TILT							
3PZ1-UP; 9SW1-UP; AAN1-UP; DDA1-1987; RBB1-1046; WMB1-972							
1417484			P-UB-10	2-1/2	5-1/4	CTC-2341950	159.15
6YW1-UP							
3408871			P-UB-10	2-1/2	4-3/4	CTC-3408871K	124.29
DDA1988-UP; EEB1-UP; RBB1-UP; WMB973-UP							
2689437			P-UB-10	2-1/2	5-1/4	CTC-2341950	159.15
RBB1047-UP							
2689437			P-UB-10	2-1/2	5-1/4	CTC-2341950	159.15
MODEL 924Gz							
LIFT							
AAB1-UP; DFZ1-UP; RTA1-UP; WGX1-UP							
1524187			P-UB-10	2-1/2	4-1/4	CTC-2341951	226.86
STEERING							
AAB1-UP; DFZ1-UP; RTA1-UP; WGX1-UP							
1426251			P-UB-10	1-1/2	2-3/4	CTC-2339204	85.83
TILT							
AAB1-UP; DFZ1-UP; RTA1-UP; WGX1-UP							
1525306			P-UB-10	2-1/2	4-3/4	CTC-2341948	124.29
DFZ1-UP							
3408871			P-UB-10	2-1/2	4-3/4	CTC-3408871K	124.29
MODEL 924H							
BUCKET							
KLN1-UP							
1809338			P-UB-10	2	4	CTC-2339205	59.01
BUCKET SIDE DUMP							
KLN1-UP							
1806336			P-U,UB-10	2	4	CTC-1807208	176.21
COUPLER							
HXC1-UP; JTM1-UP; KLN1-UP; LKW1-UP							
1903085			I-U-10	1	2	CTC-1809872	161.75
LIFT							
HXC1-UP; JTM1-UP; KLN1-UP; LKW1-UP							
1417483			P-UB-10	2-1/2	4	CTC-2341949	67.52
MULTIPURPOSE BUCKET							
HXC1-UP; JTM1-UP; LKW1-UP							
2681322			I-U-10	40 mm	3-1/2	CTC-2711529	34.20
STEERING							
HXC1-UP; JTM1-UP; KLN1-UP; LKW1-UP							
1426251			P-UB-10	1-1/2	2-3/4	CTC-2339204	85.83
TILT							
HXC1-UP; JTM1-UP; KLN1-UP; LKW1-UP							
2689437			P-UB-10	2-1/2	5-1/4	CTC-2341950	159.15
MODEL 924Hz							
LIFT							
JRL1-UP; JZZ1-UP; PED1-UP; WLB1-UP							
1524187			P-UB-10	2-1/2	4-1/4	CTC-2341951	226.86
STEERING							
JRL1-UP; JZZ1-UP; PED1-UP; WLB1-UP							
1426251			P-UB-10	1-1/2	2-3/4	CTC-2339204	85.83
TILT							
JRL1-UP; JZZ1-UP; WLB841-UP							
3408871			P-UB-10	2-1/2	4-3/4	CTC-3408871K	124.29
PED1-UP; WLB1-UP							
1525306			P-UB-10	2-1/2	4-3/4	CTC-2341948	124.29

REPLACEMENT KITS FOR CATERPILLAR® EQUIPMENT

Loaders - Wheel							
APPLICATION	CYL #	Misc-Parts, Instructions, etc.	CODE	ROD	BORE	KIT #	List \$
MODEL 924K							
BUCKET							
ENC1-UP; HJF1-UP; PWR1-UP							
	3825007		P-UB-10	2-1/4	4-1/2	CTC-3110662	94.49
PWR1-UP							
	1809338		P-UB-10	2	4	CTC-1857688	95.52
	2054846		I-U-15	50 mm	90 mm	CTC-2072084	481.05
	2681322		I-U-10	40 mm	3-1/2	CTC-2711529	34.20
COUPLER							
ENC1-UP; HJF1-UP; PWR1-UP							
	3750724		I-U-10	7/8	2	CTC-3675261	22.29
PWR1-UP							
	1903085		I-U-10	1	2	CTC-1809872	161.75
FORK							
PWR1-UP							
	2847718		I-U-11	1-1/4	2-1/2	CTC-3476233	34.23
LIFT							
ENC1-UP; HJF1-UP							
	3749705		I-U-10	60 mm	110 mm	CTC-3240399	135.91
PWR1-UP							
	3395590		I-U-10	60 mm	110 mm	CTC-3240399	135.91
STEERING							
ENC1-UP; HJF1-UP; PWR1-UP							
	3395595		I-U-10	40 mm	70 mm	CTC-3240355	83.52
	4955994		P-U-10	40 mm	70 mm	CTC-5016692	77.21
TILT							
ENC1-UP; HJF1-UP							
	3749706		I-U-10	70 mm	130 mm	CTC-3240397	156.49
PWR1-UP							
	3395592		I-U-10	70 mm	130 mm	CTC-3240397	156.49
	3518513		I-U-10	70 mm	130 mm	CTC-3240397	156.49
MODEL 926							
BUCKET							
	4T9387		P-UB-10	2	4	CTC-1328816	127.22
LIFT							
	3G2991		P-UB-10	2-1/2	4-3/4	CTC-1328811	209.77
	3G2991		P-UB-10	2-1/2	4-3/4	CTC-7X2660	246.36
PIN PULLER							
	6E5393		I-U-3	1	2	CTC-9T0418	125.53
STEERING							
	3G3501		P-UB-10	1-1/2	3	CTC-7X2751	87.84
TILT							
	3G2798		P-UB-10	2-1/2	5-1/2	CTC-3367353	124.43
MODEL 926E							
BUCKET							
	4T9387		P-UB-10	2	4	CTC-1328816	127.22
LIFT							
	3G2991		P-UB-10	2-1/2	4-3/4	CTC-1328811	209.77
	3G2991		P-UB-10	2-1/2	4-3/4	CTC-7X2660	246.36
STEERING							
	3G3501		P-UB-10	1-1/2	3	CTC-7X2751	87.84
	4T1574		P-UB-10	2	4	CTC-1328816	127.22
TILT							
	3G2798		P-UB-10	2-1/2	5-1/2	CTC-3367353	124.43
	4T1063		P-UB-10	2	4-1/4	CTC-7X2766	60.53

CATERPILLAR®

REPLACEMENT KITS FOR CATERPILLAR® EQUIPMENT

Loaders - Wheel							
APPLICATION	CYL #	Misc-Parts, Instructions, etc.	CODE	ROD	BORE	KIT #	List \$
MODEL 926M							
BUCKET							
LTE1-UP							
	2054846		I-U-15	50 mm	90 mm	CTC-2072084	481.05
	2681322		I-U-10	40 mm	3-1/2	CTC-2711529	34.20
COUPLER							
LTE1-UP							
	3750724		I-U-10	7/8	2	CTC-3675261	22.29
LIFT							
LTE1-UP							
	4956004		P-U-10	60 mm	110 mm	CTC-5016706	127.42
STEERING							
LTE1-UP							
	4955994		P-U-10	40 mm	70 mm	CTC-5016692	77.21
TILT							
LTE1-UP							
	4956005		P-U-10	70 mm	130 mm	CTC-5016704	147.14
	4956006		P-U-10	70 mm	130 mm	CTC-5016704	147.14
MODEL 928F							
LIFT							
	1341383		P-UB-10	2-1/2	4-1/2	CTC-1113300	187.32
	6E1400		P-UB-10	2-1/2	4-1/2	CTC-1113300	187.32
PIN PULLER							
	6E5393		I-U-3	1	2	CTC-9T0418	125.53
STEERING							
	9T6646		P-UB-10	1-1/2	2-3/4	CTC-1361599	139.86
TILT							
	1341382	Rod Bearing width- 0.98"	P-UB-10	2-1/2	4-3/4	CTC-1361131	196.39
	9T6645	Rod Bearing width- 0.98"	P-UB-10	2-1/2	4-3/4	CTC-1361131	196.39
MODEL 928G							
COUPLER							
	2370946		Chk Vlv Kit			CTC-2138433	17.12
LIFT							
	1191060	Rod Bearing width- 0.98"	P-UB-10	2-1/2	4-3/4	CTC-1864382	130.14
STEERING LH							
	1250374		P-UB-10	1-1/2	2-3/4	CTC-1856596	63.53
STEERING RH							
	1250373		P-UB-10	1-1/2	2-3/4	CTC-1856596	63.53
TILT							
	1188105		P-UB-10	2-1/2	5	CTC-2275347	128.71
MODEL 928Hz							
COUPLER							
BYD1-UP; CXX1-UP							
	1903085		I-U-10	1	2	CTC-1809872	161.75
CXX1-UP							
	2370946		I-U-10	1	2	CTC-1832091	15.91
	2370946		Chk Vlv Kit			CTC-2138433	17.12
	3612508		I-U-10	1	2	CTC-1832091	15.91
	3612508		Chk Vlv Kit			CTC-2138433	17.12
LIFT							
BYD1-UP; CXX1-UP							
	1191060		P-UB-10	2-1/2	4-3/4	CTC-1864382	130.14
STEERING							
BYD1-UP; CXX1-UP							
	1250373		P-UB-10	1-1/2	2-3/4	CTC-2339204	85.83
	1250374		P-UB-10	1-1/2	2-3/4	CTC-2339204	85.83

REPLACEMENT KITS FOR CATERPILLAR® EQUIPMENT

Loaders - Wheel							
APPLICATION	CYL #	Misc-Parts, Instructions, etc.	CODE	ROD	BORE	KIT #	List \$
MODEL 928Hz							
TILT							
BYD1-UP; CXK1-UP							
	1188105		P-UB-10	2-1/2	5	CTC-2275347	128.71
CXK867-UP							
	3408752		P-UB-10	2-1/2	5	CTC-3408752K	128.71
MODEL 930G							
COUPLER							
TFW1-UP; TWR1-UP							
	1903085		I-U-10	1	2	CTC-1809872	161.75
LIFT							
TFW1-UP; TWR1-UP							
	2356823		P-UB-10	2-1/2	4-1/2	CTC-2297194	75.66
MULTIPURPOSE BUCKET							
TFW1-UP; TWR1-UP							
	2681322		I-U-10	40 mm	3-1/2	CTC-2711529	34.20
TILT							
TFW1-UP; TWR1-UP							
	2356824		P-UB-10	2-3/4	6	CTC-2861075	150.38
MODEL 930H							
COUPLER							
DHC1-UP; FTD1-UP							
	1903085		I-U-10	1	2	CTC-1809872	161.75
LIFT							
DHC1-UP; FTD1-UP							
	2356823		P-UB-10	2-1/2	4-1/2	CTC-2297194	75.66
MULTIPURPOSE BUCKET							
DHC1-UP; FTD1-UP							
	2681322		I-U-10	40 mm	3-1/2	CTC-2711529	34.20
STEERING							
DHC1-UP; FTD1-UP							
	2379271		P-UB-10	1-1/2	2-3/4	CTC-2833454	59.43
TILT							
DHC1-UP; FTD1-UP							
	2356824		P-UB-10	2-3/4	6	CTC-2861075	150.38
MODEL 930K							
BUCKET							
EYE1-UP; RHN1-UP							
	3825007		P-UB-10	2-1/4	4-1/2	CTC-3110662	94.49
RHN1-UP							
	2054846		I-U-15	50 mm	90 mm	CTC-2072084	481.05
	2681322		I-U-10	40 mm	3-1/2	CTC-2711529	34.20
COUPLER							
DYB1-UP; EYE1-UP; RHN1-UP							
	3750724		I-U-10	7/8	2	CTC-3675261	22.29
RHN1-UP							
	1903085		I-U-10	1	2	CTC-1809872	161.75
FORK							
RHN1-UP							
	2847718		I-U-11	1-1/4	2-1/2	CTC-3476233	34.23
LIFT							
DYB1-UP; EYE1-UP; RHN1-UP							
	3395593		I-U-10	65 mm	120 mm	CTC-3240398	149.36
STEERING							
DYB1-UP; EYE1-UP; RHN1-UP							
	3395595		I-U-10	40 mm	70 mm	CTC-3240355	83.52
	4955994		P-U-10	40 mm	70 mm	CTC-5016692	77.21

CATERPILLAR®

REPLACEMENT KITS FOR CATERPILLAR® EQUIPMENT

Loaders - Wheel							
APPLICATION	CYL #	Misc-Parts, Instructions, etc.	CODE	ROD	BORE	KIT #	List \$
MODEL 930K							
TILT							
		DYB1-UP; EYE1-UP; RHN1-UP					
	3395594		I-U-10	90 mm	150 mm	CTC-4401767	178.82
		EYE1-UP; RHN1-UP					
	3518514		I-U-10	90 mm	150 mm	CTC-4401767	178.82
MODEL 930M							
BUCKET							
		KTG1-UP					
	2054846		I-U-15	50 mm	90 mm	CTC-2072084	481.05
	2681322		I-U-10	40 mm	3-1/2	CTC-2711529	34.20
COUPLER							
		KTG1-UP					
	3750724		I-U-10	7/8	2	CTC-3675261	22.29
LIFT							
		KTG1-UP					
	4955995		P-U-10	65 mm	120 mm	CTC-5016695	140.37
STEERING							
		KTG1-UP					
	4955994		P-U-10	40 mm	70 mm	CTC-5016692	77.21
TILT							
		KTG1-UP					
	4955996		P-U-10	90 mm	150 mm	CTC-5016697	183.87
	4955997		P-U-10	90 mm	150 mm	CTC-5016697	183.87
MODEL 930R, 930T							
ARTICULATION							
	9T2447	930R only	P-UB-10	1-3/4	3	CTC-7X2825	73.65
LIFT LH							
	7J9872		P-UB-10	2-1/4	4-1/2	CTC-7X2747	178.68
LIFT RH							
	7J9871		P-UB-10	2-1/4	4-1/2	CTC-7X2747	178.68
STEERING							
	7J9838		P-UB-10	1-1/2	3	CTC-1372530	85.19
	7J9838		P-UB-10	1-1/2	3	CTC-7X2751	87.84
TILT LH							
	7J9730		P-UB-10	2	4-1/4	CTC-7X2766	60.53
TILT RH							
	7J9729		P-UB-10	2	4-1/4	CTC-7X2766	60.53
MODEL 936F							
LIFT							
	9T1196		P-UB-10	2-1/2	5-1/2	CTC-7X2672	121.77
PIN PULLER							
	6E5393		I-U-3	1	2	CTC-9T0418	125.53
STEERING							
	3G5110		P-UB-10	1-3/4	3-1/2	CTC-7X2784	77.28
	6E2035		P-UB-10	1-3/4	3-1/2	CTC-7X2784	77.28
TILT							
	3G5291		P-UB-10	2-3/4	6-1/2	CTC-7X2686	165.59
MODEL 938F							
LIFT							
	1287678		P-UB-10	2-1/2	5	CTC-1361967	251.91
	9T7160	Rod Bearing width- 0.98"	P-UB-10	2-1/2	4-3/4	CTC-1361131	196.39
STEERING							
	1050094		P-UB-10	1-3/4	3	CTC-7X2825	73.65
TILT							
	1377855		P-UB-10	2-3/4	5-1/2	CTC-1358736	275.88
	9T7161		P-UB-10	2-3/4	5-1/2	CTC-1358736	275.88

REPLACEMENT KITS FOR CATERPILLAR® EQUIPMENT

Loaders - Wheel							
APPLICATION	CYL #	Misc-Parts, Instructions, etc.	CODE	ROD	BORE	KIT #	List \$
MODEL 938G							
COUPLER							
	2080828		Chk Vlv Kit			CTC-2138433	17.12
	2370946		Chk Vlv Kit			CTC-2138433	17.12
LIFT							
	1KM1-1123; 2RM1-1123; 7SN1-384						
	9T7160	Head# 1206679	P-UB-10	2-1/2	4-3/4	CTC-1864382	130.14
	9T7160	Head# 9T3609	P-UB-10	2-1/2	4-3/4	CTC-9X2151	113.91
	1KM1124-; 2RM1124-; 7SN385-						
	1287678		P-UB-10	2-1/2	5	CTC-1361967	251.91
STEERING							
	1050094		P-UB-10	1-3/4	3	CTC-7X2825	73.65
	1393312		P-UB-10	1-3/4	3	CTC-7X2825	73.65
TILT							
	4YS1-						
	1377855		P-UB-10	2-3/4	5-1/2	CTC-1358736	275.88
	9T7161		P-UB-10	2-3/4	5-1/2	CTC-1358736	275.88
MODEL 938H							
COUPLER							
	JKM1-UP; MJC1-UP						
	2370946		Chk Vlv Kit			CTC-2138433	17.12
LIFT							
	JKM1-UP; LKM1-UP; MCC1-UP; MJC1-UP						
	2549037		P-UB-10	70 mm	130 mm	CTC-2976845	314.21
STEERING							
	JKM1-153; LKM1-175						
	1393312		P-UB-10	1-3/4	3	CTC-2275350	45.88
	JKM154-UP; LKM176-UP; MCC1-UP; MJC1-UP						
	3149340		P-UB-10	1-3/4	3	CTC-3260504	94.41
TILT							
	JKM1-905; LKM1-1037; MCC1-UP; MJC1-835						
	3388416		P-UB-10	70 mm	140 mm	CTC-3388416K	479.67
	JKM1-988; LKM1-1037; MJC1-810						
	3171090	High Lift Arrangement	P-UB-10	70 mm	140 mm	CTC-3171090K	479.67
	JKM906-UP; LKM1038-UP; MJC836-UP						
	3461093		P-UB-10	70 mm	140 mm	CTC-3461093K	479.67
	JKM989-UP; LKM1038-UP; MJC811-UP						
	3461094	High Lift Arrangement	P-UB-10	70 mm	140 mm	CTC-3461094K	479.67
MODEL 938K							
BUCKET							
	SWL1-UP						
	2054846		I-U-15	50 mm	90 mm	CTC-2072084	481.05
	2681322		I-U-10	40 mm	3-1/2	CTC-2711529	34.20
COUPLER							
	HFW1-UP; SWL1-UP; XXT1-UP						
	3750724		I-U-10	7/8	2	CTC-3675261	22.29
LIFT							
	HFW1-UP; SWL1-UP; XXT1-UP						
	3473853		I-U-10	65 mm	120 mm	CTC-3240398	149.36
STEERING							
	HFW1-UP; SWL1-UP; XXT1-UP						
	3473852		I-U-10	50 mm	80 mm	CTC-3240356	112.03
	4955999		P-U-10	50 mm	80 mm	CTC-5016702	104.94
TILT							
	HFW1-UP						
	4491000		I-U-10	70 mm	130 mm	CTC-3240397	156.49

CATERPILLAR®

REPLACEMENT KITS FOR CATERPILLAR® EQUIPMENT

Loaders - Wheel							
APPLICATION	CYL #	Misc-Parts, Instructions, etc.	CODE	ROD	BORE	KIT #	List \$
MODEL 938K							
TILT							
		HFV1-UP; SWL1-UP; XXT1-UP					
	3473854		I-U-10	90 mm	150 mm	CTC-4401767	178.82
		SWL1-UP; XXT1-UP					
	3518515		I-U-10	90 mm	150 mm	CTC-4401767	178.82
MODEL 938M							
BUCKET							
		J3R1-UP					
	2054846		I-U-15	50 mm	90 mm	CTC-2072084	481.05
	2681322		I-U-10	40 mm	3-1/2	CTC-2711529	34.20
COUPLER							
		J3R1-UP					
	3750724		I-U-10	7/8	2	CTC-3675261	22.29
LIFT							
		J3R1-UP					
	4956000		P-U-10	65 mm	120 mm	CTC-5016695	140.37
STEERING							
		J3R1-UP					
	4955999		P-U-10	50 mm	80 mm	CTC-5016702	104.94
TILT							
		J3R1-UP					
	4956001		P-U-10	90 mm	150 mm	CTC-5016697	183.87
	4956002		P-U-10	90 mm	150 mm	CTC-5016697	183.87
MODEL 944, 944A							
LOG FORK LH							
	8J5677		P-V-10	2	5	CTC-7X2763	185.79
LOG FORK RH							
	8J5676		P-V-10	2	5	CTC-7X2763	185.79
MODEL 950B, 950E, 950F							
LIFT							
	4T0263	950B & 950E only	P-UB-10	2-1/2	4-3/4	CTC-1328811	209.77
	4T0263		P-UB-10	2-1/2	4-3/4	CTC-7X2660	246.36
	4T0263		P-UB-10	2-1/2	4-3/4	CTC-7X2673	220.68
	7J9902	950F only	P-UB-10	2	4-1/4	CTC-7X2819	144.19
LIFT LH							
	1U1147		P-UB-10	3	6	CTC-7X2698	255.56
LIFT RH							
	1U1148		P-UB-10	3	6	CTC-7X2698	255.56
STEERING							
	3G0892		P-UB-10	1-3/4	3-1/2	CTC-7X2784	77.28
	6E3889		P-UB-10	1-3/4	3-1/2	CTC-7X2784	77.28
	6E4892		P-UB-10	1-3/4	3-1/2	CTC-7X2784	77.28
	6E5024	950B & 950F only	P-UB-10	2	4	CTC-1113302	163.17
TILT							
	3G8786		P-UB-10	3-1/4	7	CTC-1328518	298.10
MODEL 950G							
COUPLER							
	2080828		Chk Vlv Kit			CTC-2138433	17.12
	2370946		Chk Vlv Kit			CTC-2138433	17.12
LIFT							
	1188296		P-UB-10	3	6	CTC-7X2698	255.56
	1250024		P-UB-10	3	6	CTC-7X2698	255.56
STEERING							
	1188288	Head# 1537182	P-UB-10	1-3/4	3-1/2	CTC-2281795	134.61
	1630324	Head# 1630329	P-UB-10	1-3/4	3-1/2	CTC-2281795	134.61
		4BS1-413; 3JW1-684; 5FW1-784					
	1188288	Head# 9T8790	P-UB-10	1-3/4	3-1/2	CTC-7X2784	77.28

REPLACEMENT KITS FOR CATERPILLAR® EQUIPMENT

Loaders - Wheel							
APPLICATION	CYL #	Misc-Parts, Instructions, etc.	CODE	ROD	BORE	KIT #	List \$
MODEL 950G							
TILT							
	1189001		P-UB-10	3-1/4	7	CTC-7X2710	278.70
	1518206		P-UB-20	3-1/4	8-1/2	CTC-2297173	422.09
MODEL 950H							
COUPLER							
	2370946		Chk Vlv Kit			CTC-2138433	17.12
LIFT							
	2424271		P-UB-10	3-1/4	5-3/4	CTC-2424271K	347.56
	2424272		P-UB-10	3-1/4	5-3/4	CTC-2424272K	347.56
STEERING							
	1630324		P-UB-10	1-3/4	3-1/2	CTC-2281795	134.61
TILT							
	2424270		P-UB-10	3-1/4	6-1/4	CTC-2424270K	288.11
	2457487		P-UB-10	3-1/2	7-1/2	CTC-2457487K	354.40
	2457491		P-UB-10	3-1/4	6-1/4	CTC-2457491K	288.11
MODEL 950K							
BUCKET							
	FER1-UP; J5M1-UP; R4A1-UP						
	3845321	material handling	P-UB-10	2-1/4	5	CTC-4700323	137.90
	J5M1-UP						
	3450267	multipurpose	I-U-15	60 mm	100 mm	CTC-3704107	482.83
	R4A1-UP						
	1883120	side dump	P-UB-10	2-1/4	5	CTC-1883143	129.64
	2200525	multipurpose	I-U-15	70 mm	125 mm	CTC-3704117	558.47
	3825007	multipurpose/material handling	P-UB-10	2-1/4	4-1/2	CTC-3110662	94.49
COUPLER							
	FER1-UP; J5M1-UP						
	3642851		I-U-10	1	2-1/2	CTC-3156338	24.43
	R4A1-UP						
	3612508		I-U-10	1	2	CTC-1832091	15.91
FORK							
	R4A1-UP						
	2032208		P-UB-10	2-1/4	5	CTC-2417578	87.32
	2350597		P-UB-10	2-1/4	4-1/2	CTC-2370922	131.45
	3854585		P-UB-10	2-1/2	5-1/2	CTC-3866092	217.41
	3878656		P-UB-10	2-1/2	5-1/2	CTC-3866092	217.41
LIFT							
	FER1-UP; J5M1-UP; R4A1-UP						
	3475536		P-UB-10	85 mm	150 mm	CTC-SK100106	189.40
	3475541		P-UB-10	85 mm	140 mm	CTC-SK100107	175.65
STEERING							
	FER1-UP						
	3149338		P-UB-10	1-3/4	3-1/2	CTC-3260503	219.76
	J5M1-UP; R4A1-UP						
	3696640		P-UB-10	1-3/4	3-1/2	CTC-3260503	219.76
TILT							
	FER1-UP; J5M1-UP; R4A1-UP						
	3475542		P-UB-10	85 mm	160 mm	CTC-SK100108	202.06
	3475543		P-UB-10	85 mm	160 mm	CTC-SK100108	202.06
MODEL 950M							
BUCKET							
	EMB1-UP						
	1883120		P-UB-10	2-1/4	5	CTC-1883143	129.64
	2200525		I-U-15	70 mm	125 mm	CTC-3704117	558.47
	3825007		P-UB-10	2-1/4	4-1/2	CTC-3110662	94.49

REPLACEMENT KITS FOR CATERPILLAR® EQUIPMENT

Loaders - Wheel							
APPLICATION	CYL #	Misc-Parts, Instructions, etc.	CODE	ROD	BORE	KIT #	List \$
MODEL 950M							
BUCKET							
EMB1-UP; FTR1-UP							
	3845321		P-UB-10	2-1/4	5	CTC-4700323	137.90
FTR1-UP							
	3450267		I-U-15	60 mm	100 mm	CTC-3704107	482.83
COUPLER							
EMB1-UP; FTR1-UP							
	3642851		I-U-10	1	2-1/2	CTC-4560584	85.54
	4522500		I-U-10	1	2-1/2	CTC-3156338	24.43
FORK							
EMB1-UP							
	3854585		P-UB-10	2-1/2	5-1/2	CTC-3866092	217.41
LIFT							
EMB1-UP; FTR1-UP							
	3475536		P-UB-10	85 mm	150 mm	CTC-SK100106	189.40
	3475541		P-UB-10	85 mm	140 mm	CTC-SK100107	175.65
	4326169		P-UB-10	85 mm	150 mm	CTC-SK100163	185.99
STEERING							
EMB1-UP; FTR1-UP							
	3596706		P-UB-10	50 mm	80 mm	CTC-5186058	100.96
	3950394		P-UB-10	50 mm	80 mm	CTC-5186058	100.96
TILT							
EMB1-UP; FTR1-UP							
	3475542		P-UB-10	85 mm	160 mm	CTC-SK100108	202.06
	3475543		P-UB-10	85 mm	160 mm	CTC-SK100108	202.06
	3475544		P-UB-10	85 mm	170 mm	CTC-SK100164	313.91
MODEL 960F							
LIFT							
	7J9902		P-UB-10	2	4-1/4	CTC-7X2819	144.19
LIFT LH							
	1U1147		P-UB-10	3	6	CTC-7X2698	255.56
LIFT RH							
	1U1148		P-UB-10	3	6	CTC-7X2698	255.56
STEERING							
	3G0892		P-UB-10	1-3/4	3-1/2	CTC-7X2784	77.28
	6E3889		P-UB-10	1-3/4	3-1/2	CTC-7X2784	77.28
	6E4892		P-UB-10	1-3/4	3-1/2	CTC-7X2784	77.28
TILT							
	3G8786		P-UB-10	3-1/4	7	CTC-1328518	298.10
MODEL 960G, 962G							
LIFT RH							
	1188296		P-UB-10	3	6	CTC-7X2698	255.56
	1250024		P-UB-10	3	6	CTC-7X2698	255.56
STEERING							
	1188288		P-UB-10	1-3/4	3-1/2	CTC-7X2784	77.28
TILT							
	1294447		P-UB-10	3-1/4	7	CTC-7X2710	278.70
MODEL 966							
LIFT							
	9J2434		P-UB-10	2-1/2	6-1/2	CTC-7X2666	232.97
PUMP							
25U; 30K; 42J; 76J; 78G							
	9J5049					CTC-9J5108	55.04
STEERING							
	6E5024		P-UB-10	2	4	CTC-1113302	163.17

REPLACEMENT KITS FOR CATERPILLAR® EQUIPMENT

Loaders - Wheel							
APPLICATION	CYL #	Misc-Parts, Instructions, etc.	CODE	ROD	BORE	KIT #	List \$
MODEL 966							
STEERING LH							
	7J9356		P-UB-10	2	4	CTC-7X2755	156.44
TILT							
	3G5497		P-UB-14	3-1/4	8-1/4	CTC-7X2703	323.31
TILT LH							
	7J9364		P-UB-10	2-1/2	6	CTC-7X2669	296.27
MODEL 966E, 966F							
LIFT LH							
	3G5495		P-UB-10	3-1/4	7	CTC-7X2710	278.70
LIFT RH							
	3G5496		P-UB-10	3-1/4	7	CTC-7X2710	278.70
STEERING							
	4T1574		P-UB-10	2	4	CTC-1328816	127.22
	6E5024		P-UB-10	2	4	CTC-1113302	163.17
	9J7061	966E only	P-UB-10	2	4	CTC-7X2789	139.93
TILT							
	3G5497		P-UB-14	3-1/4	8-1/4	CTC-7X2703	323.31
MODEL 966G							
LIFT LH							
	1332964		P-UB-10	3-1/4	7	CTC-7X2710	278.70
LIFT RH							
	1332963		P-UB-10	3-1/4	7	CTC-7X2710	278.70
STEERING							
	1331747		P-UB-10	2	3-1/2	CTC-7X2783	141.24
TILT							
	1332962		P-UB-10	3-1/4	9-1/4	CTC-1332962K	392.69
	1449005		P-UB-10	3-1/4	8-1/4	CTC-2281780	324.55
	1713953		P-UB-10	3-1/4	8-1/4	CTC-2281780	324.55
	1882445		P-UB-10	3-1/2	9-1/4	CTC-2282533	431.94
MODEL 966H							
LIFT							
	2424274		P-UB-10	3-1/2	6-1/4	CTC-2959888	282.99
	2424275		P-UB-10	3-1/2	6-1/4	CTC-2959888	282.99
STEERING							
	1331747		P-UB-10	2	3-1/2	CTC-7X2783	141.24
TILT							
	2424273		P-UB-10	3-1/4	170 mm	CTC-3133829	300.11
	2448777		P-UB-10	3-3/4	7-3/4	CTC-3652880	255.00
	2457484		P-UB-10	3-1/4	170 mm	CTC-3133829	300.11
MODEL 966K							
BUCKET							
	NGX1-UP; PBG1-UP						
	3845321		P-UB-10	2-1/4	5	CTC-4700323	137.90
	PBG1-UP; TFS1-UP						
	2200525		I-U-15	70 mm	125 mm	CTC-3704117	558.47
	TFS1-UP						
	1883120		P-UB-10	2-1/4	5	CTC-1883143	129.64
COUPLER							
	NGX1-UP; PBG1-UP; TFS1-UP						
	3612507		I-U-10	1	2-1/2	CTC-4560584	85.54
	PBG1-UP; TFS1-UP						
	4522509		I-U-10	1	2-1/2	CTC-4560584	85.54
FORK							
	TFS1-UP						
	2032208		P-UB-10	2-1/4	5	CTC-2417578	87.32

REPLACEMENT KITS FOR CATERPILLAR® EQUIPMENT

Loaders - Wheel							
APPLICATION	CYL #	Misc-Parts, Instructions, etc.	CODE	ROD	BORE	KIT #	List \$
MODEL 966K							
LIFT							
NGX1-UP; PBG1-UP; TFS1-UP							
	2424275		P-UB-10	3-1/2	6-1/4	CTC-2959888	282.99
	3492514		P-UB-10	3-1/2	6-1/4	CTC-2959888	282.99
STEERING							
NGX1-205; PGB1-872; TFS1-777							
	3195045		P-UB-10	50 mm	90 mm	CTC-4572837	113.89
NGX206-UP; PGB873-UP; TFS778-UP							
	3899689		P-UB-10	50 mm	90 mm	CTC-4572837	113.89
TILT							
NGX1-UP; PBG1-UP; TFS1-UP							
	3562219		P-UB-10	3-1/4	170 mm	CTC-4576093	208.36
	3585189		P-UB-10	3-1/4	170 mm	CTC-3133829	300.11
PBG1-UP; TFS1-UP							
	3522057		P-UB-10	100 mm	190 mm	CTC-SK100165	261.81
MODEL 966M							
BUCKET							
DYC1-UP; P6C1-UP							
	3845321		P-UB-10	2-1/4	5	CTC-4700323	137.90
KJP1-UP							
	1883120		P-UB-10	2-1/4	5	CTC-1883143	129.64
	2200525		I-U-15	70 mm	125 mm	CTC-3704117	558.47
COUPLER							
DYC1-UP; KJP1-562; P6C1-UP							
	3612507		I-U-10	1	2-1/2	CTC-4560584	85.54
DYC1-UP; KJP568-UP; P6C1-UP							
	4522509		I-U-10	1	2-1/2	CTC-4560584	85.54
LIFT							
DYC1-UP; KJP1-UP; P6C1-UP							
	2424275		P-UB-10	3-1/2	6-1/4	CTC-2959888	282.99
	3492514		P-UB-10	3-1/2	6-1/4	CTC-2959888	282.99
STEERING							
DYC1-UP; KJP1-UP; P6C1-UP							
	3884770		P-UB-10	50 mm	85 mm	CTC-4710172	131.72
TILT							
DYC1-UP; KJP1-UP; P6C1-UP							
	3596691		P-UB-10	3-1/4	170 mm	CTC-4576093	208.36
	3596692	High Lift	P-UB-10	3-1/4	170 mm	CTC-4576093	208.36
	3596693		P-UB-10	100 mm	190 mm	CTC-SK100166	296.09
MODEL 970F							
LIFT LH							
	6E5879		P-UB-10	3-1/4	7	CTC-7X2710	278.70
LIFT RH							
	6E5878		P-UB-10	3-1/4	7	CTC-7X2710	278.70
STEERING							
	4T1574		P-UB-10	2	4	CTC-1328816	127.22
	6E5024		P-UB-10	2	4	CTC-1113302	163.17
TILT							
	3G5497		P-UB-14	3-1/4	8-1/4	CTC-7X2703	323.31
MODEL 972G							
LIFT LH							
	1332964	Piston Bearings; 1.49", 1.99"	P-UB-10	3-1/4	7	CTC-7X2710	278.70
1EW1-UP; 4WW1-UP; 6AW1-UP; 7LS1-UP; 9GW1-500; AAW1-400							
	1332964	Piston Bearing; 1.49"	P-UB-10	3-1/4	7	CTC-2281779	206.01
LIFT RH							
	1332963	Piston Bearings; 1.49", 1.99"	P-UB-10	3-1/4	7	CTC-7X2710	278.70

REPLACEMENT KITS FOR CATERPILLAR® EQUIPMENT

Loaders - Wheel							
APPLICATION	CYL #	Misc-Parts, Instructions, etc.	CODE	ROD	BORE	KIT #	List \$
MODEL 972G							
LIFT RH							
1EW1-UP; 4WW1-UP; 6AW1-UP; 7LS1-UP; 9GW1-500; AAW1-400							
	1332963	Piston Bearing; 1.49"	P-UB-10	3-1/4	7	CTC-2281779	206.01
STEERING							
	1331747		P-UB-10	2	3-1/2	CTC-7X2783	141.24
1EW1-UP; 4WW1-UP; 6AW1-UP; 7LS1-UP; 9GW1-319; AAW1-215							
	1331747		P-UB-10	2	3-1/2	CTC-7X2783	141.24
1EW1-UP; 6AW1-UP							
	1331747		P-UB-1	2		CTC-8C4510	43.62
TILT							
1EW1-UP; 4WW1-341; 6AW1-UP; 7SL1-306; 9GW1-292; AAW1-200							
	1332962		P-UB-10	3-1/4	9-1/4	CTC-1332962K	392.69
1EW1-UP; 4WW342-UP; 6AW1-UP; 9GW293-UP; AWW201-UP							
	1882445		P-UB-10	3-1/2	9-1/4	CTC-2282533	431.94
1EW1-UP; 6AW1-UP							
	1744715		P-UB-10	3-1/4	9-1/4	CTC-1744715K	277.93
	1905955		P-UB-10	3-1/2	9-1/4	CTC-2282533	431.94
4WW1-UP; 7SL1-UP							
	1533747	Logging Arrangement	P-UB-10	2-1/4	5	CTC-2417578	87.32
	2032208	Logging Arrangement	P-UB-10	2-1/4	5	CTC-2417578	87.32
AAW1-196							
	1449005		P-UB-10	3-1/4	8-1/4	CTC-2281780	324.55
MODEL 972H							
BUCKET							
A7D1-UP							
	2200525		I-U-15	70 mm	125 mm	CTC-3704117	558.47
COUPLER							
A7D1-UP							
	2370946		I-U-10	1	2	CTC-1832091	15.91
	2370946	Chk Vlv Kit				CTC-2138433	17.12
	3612507		I-U-10	1	2-1/2	CTC-3156338	24.43
	3612507	Chk Vlv Kit				CTC-2138433	17.12
	3612508		I-U-10	1	2	CTC-1832091	15.91
	3612508	Chk Vlv Kit				CTC-2138433	17.12
LIFT							
A7D1-UP; A7G1-UP; A7J1-UP; GTA1-UP; WLA1-UP							
	2424274		P-UB-10	3-1/2	6-1/4	CTC-2959888	282.99
	2424275		P-UB-10	3-1/2	6-1/4	CTC-2959888	282.99
STEERING							
A7D1-595; A7G1-1005; A7J1-295; WLA1-UP							
	1331747		P-UB-10	2	3-1/2	CTC-7X2783	141.24
A7D596-UP; A7G1006-UP; A7J296-UP; GTA1-UP; WLA1-UP							
	3149336		P-UB-10	2	3-1/2	CTC-3260502	190.97
TILT							
A7D1-UP							
	2032208	Logging Arrangement	P-UB-10	2-1/4	5	CTC-2417578	87.32
A7D1-UP; A7G1-2157; A7J1-UP; GTA1-UP; WLA1-UP							
	2448777	Logging Arrangement	P-UB-10	3-3/4	7-3/4	CTC-3652880	255.00
A7D1-UP; A7G1-UP; A7J1-UP; GTA1-UP							
	2457486	High Lift Arrangement	P-UB-10	3-3/4	7-3/4	CTC-3652880	255.00
A7D1-UP; A7G1-UP; GTA1-UP							
	3585190	High Lift Arrangement	P-UB-10	3-3/4	7-3/4	CTC-3652880	255.00
A7D1-UP; A7G2158-UP; GTA1-UP; WLA1-UP							
	3562220		P-UB-10	3-3/4	7-3/4	CTC-3652880	255.00

CATERPILLAR®

REPLACEMENT KITS FOR CATERPILLAR® EQUIPMENT

Loaders - Wheel							
APPLICATION	CYL #	Misc-Parts, Instructions, etc.	CODE	ROD	BORE	KIT #	List \$
MODEL 972K							
BUCKET							
PEM1-UP							
3845321			P-UB-10	2-1/4	5	CTC-4700323	137.90
PEM1-UP; Z4W1-UP							
2200525			I-U-15	70 mm	125 mm	CTC-3704117	558.47
Z4W1-UP							
1883120			P-UB-10	2-1/4	5	CTC-1883143	129.64
COUPLER							
PEM1-UP; Z4W1-UP							
3612507			I-U-10	1	2-1/2	CTC-4560584	85.54
4522509			I-U-10	1	2-1/2	CTC-4560584	85.54
FORK							
Z4W1-UP							
2032208			P-UB-10	2-1/4	5	CTC-2417578	87.32
LIFT							
PEM1-UP; Z4W1-UP							
2424275			P-UB-10	3-1/2	6-1/4	CTC-2959888	282.99
3492514			P-UB-10	3-1/2	6-1/4	CTC-2959888	282.99
STEERING							
PEM1-591; Z4W1-459							
3195045			P-UB-10	50 mm	90 mm	CTC-4572837	113.89
PEM592-UP; Z4W460-UP							
3899689			P-UB-10	50 mm	90 mm	CTC-4572837	113.89
TILT							
PEM1-UP; Z4W1-UP							
3522057			P-UB-10	100 mm	190 mm	CTC-SK100165	261.81
3547410			P-UB-10	100 mm	190 mm	CTC-SK100165	261.81
MODEL 972M							
BUCKET							
A8P1-UP							
2200525			I-U-15	70 mm	125 mm	CTC-3704117	558.47
JPR1-UP							
3845321			P-UB-10	2-1/4	5	CTC-4700323	137.90
COUPLER							
A8P1-302; JPR1-UP							
3612507			I-U-10	1	2-1/2	CTC-4560584	85.54
A8P303-UP; JPR1-UP							
4522509			I-U-10	1	2-1/2	CTC-4560584	85.54
LIFT							
A8P1-UP; JPR1-UP							
2424275			P-UB-10	3-1/2	6-1/4	CTC-2959888	282.99
3492514			P-UB-10	3-1/2	6-1/4	CTC-2959888	282.99
STEERING							
A8P1-UP; JPR1-UP							
3884770			P-UB-10	50 mm	85 mm	CTC-4710172	131.72
TILT							
A8P1-UP; JPR1-UP							
3596693			P-UB-10	100 mm	190 mm	CTC-SK100166	296.09
3596694			P-UB-10	100 mm	190 mm	CTC-SK100166	296.09
MODEL 972M XE							
BUCKET							
EDW1-UP							
3845321			P-UB-10	2-1/4	5	CTC-4700323	137.90

REPLACEMENT KITS FOR CATERPILLAR® EQUIPMENT

Loaders - Wheel							
APPLICATION	CYL #	Misc-Parts, Instructions, etc.	CODE	ROD	BORE	KIT #	List \$
MODEL 972M XE							
LIFT							
	EDW1-UP						
	2424275		P-UB-10	3-1/2	6-1/4	CTC-2959888	282.99
	3492514		P-UB-10	3-1/2	6-1/4	CTC-2959888	282.99
	4395316		P-UB-10	90 mm	170 mm	CTC-SK100167	258.03
	4395317		P-UB-10	90 mm	170 mm	CTC-SK100167	258.03
STEERING							
	EDW1-UP						
	3884770		P-UB-10	50 mm	85 mm	CTC-4710172	131.72
TILT							
	EDW1-UP						
	3596693		P-UB-10	100 mm	190 mm	CTC-SK100166	296.09
	3596694		P-UB-10	100 mm	190 mm	CTC-SK100166	296.09
MODEL 980F							
LIFT							
	1U3527		P-UB-10	3-1/2	7-1/2	CTC-7X2730	219.48
STEERING							
	6E6653		P-UB-10	2-1/4	4-1/2	CTC-1354392	192.54
STEERING LH							
	9J6536		P-UB-10	2-1/4	4-1/2	CTC-1373529	85.84
STEERING RH							
	9J5869		P-UB-10	2-1/4	4-1/2	CTC-1373529	85.84
TILT LH							
	3G1306		P-UB-10	2-3/4	6-1/4	CTC-7X2688	202.95
	3G5070		P-UB-10	2-3/4	7	CTC-1328284	182.56
	4T6791		P-UB-10	3	6-1/4	CTC-7X2701	154.56
	9T2419		P-UB-10	3	6-1/4	CTC-1328491	309.58
TILT RH							
	3G1305		P-UB-10	2-3/4	6-1/4	CTC-7X2688	202.95
	3G5069		P-UB-10	2-3/4	7	CTC-1328284	182.56
	4T7949		P-UB-10	3	6-1/4	CTC-7X2701	154.56
	6E4866		P-UB-10	2-3/4	6-1/4	CTC-7X2688	202.95
	9T2418		P-UB-10	3	6-1/4	CTC-1328491	309.58
MODEL 980G							
LIFT							
	1118181		P-UB-10	3-1/2	7-3/4	CTC-2281775	218.80
STEERING							
	1151371		P-UB-10	2-1/4	4	CTC-1546526	196.04
TILT							
	1463032		P-UB-10	3	7	CTC-1605796	322.67
TILT LH							
	1125004		P-UB-10	2-3/4	6-1/4	CTC-7X2688	202.95
	1240617		P-UB-10	3	7	CTC-1605796	322.67
	1246227		P-UB-10	3	6-1/4	CTC-1917694	298.24
	1463035		P-UB-10	3	7	CTC-1605796	322.67
TILT RH							
	1125003		P-UB-10	2-3/4	6-1/4	CTC-7X2688	202.95
	1240616		P-UB-10	3	7	CTC-1605796	322.67
	1246228		P-UB-10	3	6-1/4	CTC-1917694	298.24
MODEL 980H							
LIFT							
	1118181		P-UB-10	3-1/2	7-3/4	CTC-2281775	218.80
STEERING							
	1151371		P-UB-10	2-1/4	4	CTC-1546526	196.04

CATERPILLAR®

REPLACEMENT KITS FOR CATERPILLAR® EQUIPMENT

Loaders - Wheel							
APPLICATION	CYL #	Misc-Parts, Instructions, etc.	CODE	ROD	BORE	KIT #	List \$
MODEL 980H							
TILT LH							
	1125004		P-UB-10	2-3/4	6-1/4	CTC-7X2688	202.95
	1240617		P-UB-10	3	7	CTC-1605796	322.67
	1246227		P-UB-10	3	6-1/4	CTC-1917694	298.24
TILT RH							
	1125003		P-UB-10	2-3/4	6-1/4	CTC-7X2688	202.95
	1240616		P-UB-10	3	7	CTC-1605796	322.67
	1246228		P-UB-10	3	6-1/4	CTC-1917694	298.24
MODEL 980K							
FORK							
	W7K1-						
	2032208		P-UB-10	2-1/4	5	CTC-2417578	87.32
LIFT							
	GTZ1-; W7K1-						
	3349861		P-UB-10	90 mm	180 mm	CTC-4572370	291.42
STEERING							
	GTZ1-; NEP1-; W7K1-						
	3195051		P-UB-10	55 mm	100 mm	CTC-3195051K	151.39
TILT							
	GTZ1-; W7K1-						
	3453897		P-UB-10	100 mm	140 mm	CTC-3453897K	150.75
	3519360		P-UB-10	100 mm	140 mm	CTC-3519360K	150.75
	W7K1-						
	3615042		P-UB-10	100 mm	150 mm	CTC-3615042K	154.66
MODEL 980M							
COUPLER							
	KRS1-UP; MK21-UP; N8T1-UP; WW31-UP; XDJ1-UP						
	4522500		I-U-10	1	2-1/2	CTC-4560584	85.54
	KRS1-UP; XDJ1-UP						
	4476628		I-U-10	1	2-1/2	CTC-4560584	85.54
	4522509		I-U-10	1	2-1/2	CTC-4560584	85.54
LIFT							
	KRS1-UP; MGD1-UP; MK21-UP; N8T1-UP; WW31-UP; XDJ1-UP						
	3826076		P-UB-10	90 mm	180 mm	CTC-4572370	291.42
	3870059		P-UB-10	95 mm	130 mm	CTC-4710336	186.27
	3870059		Bushing	95 mm		CTC-1289260	56.30
STEERING							
	KRS1-UP; MGD1-UP; MK21-UP; N8T1-UP; WW31-UP; XDJ1-UP						
	3950387		P-UB-10	55 mm	95 mm	CTC-4710276	143.58
TILT							
	KRS1-UP; MGD1-UP; MK21-UP; N8T1-UP; WW31-UP; XDJ1-UP						
	3827982		P-UB-10	95 mm	130 mm	CTC-4710336	186.27
	3827982		Bushing	95 mm		CTC-1289260	56.30
	KRS1-UP; MGD1-UP; N8T1-UP; WW31-UP; XDJ1-UP						
	3519361		P-UB-10	100 mm	170 mm	CTC-SK100208	253.22
	3519361		Bushing	100 mm		CTC-1140757	66.11
	KRS1-UP; XDJ1-UP						
	3615042		P-UB-10	100 mm	150 mm	CTC-SK100209	189.62
	3615042		Bushing	100 mm		CTC-1140757	66.11
	MK21-UP; N8T1-UP; WW31-UP						
	3557732		P-UB-10	100 mm	170 mm	CTC-SK100208	253.22
	3557732		Bushing	100 mm		CTC-1140757	66.11
MODEL 982M							
COUPLER							
	K1Y1-UP; XDL1-UP						
	4476628		I-U-10	1	2-1/2	CTC-4560584	85.54

REPLACEMENT KITS FOR CATERPILLAR® EQUIPMENT

Loaders - Wheel							
APPLICATION	CYL #	Misc-Parts, Instructions, etc.	CODE	ROD	BORE	KIT #	List \$
MODEL 982M							
LIFT							
F9A1-UP; K1Y1-UP; LRS1-UP; MK61-UP; WMD1-UP; XDL1-UP							
3596695			P-UB-10	100 mm	190 mm	CTC-4778370	279.75
3596695			Bushing	100 mm		CTC-1140757	66.11
LIFT & TILT							
K1Y1-UP; LRS20201-UP; MK620101-UP; XDL1-UP							
5205977			P-UB-10	95 mm	130 mm	CTC-4710336	186.27
5205977			Bushing	95 mm		CTC-1289260	56.30
STEERING							
F9A1-UP; K1Y1-UP; LRS1-UP; MK61-UP; WMD1-UP; XDL1-UP							
3950387			P-UB-10	55 mm	95 mm	CTC-4710276	143.58
TILT							
F9A1-UP; K1Y1-UP; LRS1-UP; MK61-UP; WMD1-UP; XDL1-UP							
3827981			P-UB-10	95 mm	130 mm	CTC-4710336	186.27
3827981			Bushing	95 mm		CTC-1289260	56.30
LRS20201-UP; MK620101-UP; XDL510-UP							
5276910			P-UB-10	100 mm	150 mm	CTC-SK100210	227.54
5276910			Bushing	100 mm		CTC-1140757	66.11
MODEL 988F							
LIFT							
9T8257			P-UB-10	4	8-1/2	CTC-7X2742	296.51
STEERING							
9J8165			P-UB-10	2-1/4	5	CTC-9X6392	219.47
TILT							
3G2976			P-UB-10	3-1/2	8-1/2	CTC-7X2719	257.62
4T6792			P-UB-10	3-1/2	7-3/4	CTC-1570284	234.30
9J3632			P-UB-10	3-1/4	7-3/4	CTC-7X2706	351.06
MODEL 988G							
LIFT							
1521644			P-UB-10	4-1/2	220 mm	CTC-2295546	507.05
LIFT LH							
1686943	Logging Arrangement		P-UB-10	5	9-1/4	CTC-1686943K	462.52
1738613			P-UB-10	5	220 mm	CTC-2295549	689.56
LIFT RH							
1686942			P-UB-10	5	9-1/4	CTC-2857396	452.35
1738612			P-UB-10	5	220 mm	CTC-2295549	689.56
STEERING LH							
1338173			P-UB-10	2-1/2	4	CTC-1542501	196.93
2594733			P-UB-10	2-1/2	4	CTC-2295538	228.07
STEERING RH							
1353288			P-UB-10	2-1/2	4	CTC-1542501	196.93
2594737			P-UB-10	2-1/2	4	CTC-2295538	228.07
TILT							
1521644	High Lift Arrangement		P-UB-10	4-1/2	220 mm	CTC-2295546	507.05
1686944			P-UB-10	4-1/2	9-1/4	CTC-3812504	511.02
2311955			P-UB-10	4-1/2	220 mm	CTC-2295546	507.05
MODEL 988H							
COUPLER							
BXY1-							
1949203			I-U-15	30 mm	50 mm	CTC-2341902	29.94
LIFT LH							
A7A1-							
1738613			P-UB-10	5	220 mm	CTC-2295549	689.56
BXY1-							
1738613			P-UB-10	5	220 mm	CTC-2295549	689.56

CATERPILLAR®

REPLACEMENT KITS FOR CATERPILLAR® EQUIPMENT

Loaders - Wheel							
APPLICATION	CYL #	Misc-Parts, Instructions, etc.	CODE	ROD	BORE	KIT #	List \$
MODEL 988H							
LIFT RH							
A7A1-							
	1738612		P-UB-10	5	220 mm	CTC-2295549	689.56
BXY1-							
	1738612		P-UB-10	5	220 mm	CTC-2295549	689.56
STEERING							
A7A1-; BXY1900-							
	2880568		P-UB-10	2-1/2	4	CTC-2295538	228.07
STEERING LH							
BXY1-1899							
	2594733		P-UB-10	2-1/2	4	CTC-2295538	228.07
STEERING RH							
BXY1-1899							
	2594737		P-UB-10	2-1/2	4	CTC-2295538	228.07
TILT							
A7A1-; BXY1-							
	2311955		P-UB-10	4-1/2	220 mm	CTC-2295546	507.05
BXY1-							
	2716441		P-UB-10	4-1/2	220 mm	CTC-2295546	507.05
MODEL 990							
STEERING LH							
	6E1244		P-UB-14	3-1/4	5-1/2	CTC-1354539	168.83
STEERING RH							
	9T9568		P-UB-14	3-1/4	5-1/2	CTC-1354539	168.83
TILT							
	1459897		P-UB-10	5-3/4	11-1/2	CTC-1354382	619.02
	9T9570		P-UB-10	5-3/4	11-1/2	CTC-1354382	619.02
MODEL 992D							
LIFT							
	1028731		P-UB-10	7	11-1/2	CTC-7X2809	619.73
	1U1771		P-UB-10	7	11-1/2	CTC-7X2809	619.73
	9J2994		P-UB-10	7	11-1/2	CTC-7X2809	619.73
STEERING							
	9J5419		P-UB-10	3-1/4	7	CTC-7X2710	278.70
TILT LH							
	1026248		P-UB-10	4	10	CTC-7X2810	316.61
	1U1767		P-UB-10	4	10	CTC-7X2811	376.56
	3G4599		P-UB-10	4	10	CTC-7X2810	316.61
TILT RH							
	1026247		P-UB-10	4	10	CTC-7X2810	316.61
	1U1766		P-UB-10	4	10	CTC-7X2811	376.56
	3G4598		P-UB-10	4	10	CTC-7X2810	316.61
MODEL 992G							
LIFT LH							
7HR1-							
	1128209		P-UB-10	7	11	CTC-1570289	1312.45
7HR1-231							
	1128209		P-UB-10	7	11	CTC-1597532	1312.45
7HR232-99999; ADZ1-; AZX1-833							
	1621523		P-UB-10	7	11	CTC-2297189	866.75
AZX834-							
	3153044		P-UB-10	7	11	CTC-2297189	866.75
LIFT RH							
7HR1-231							
	1367880		P-UB-10	7	11	CTC-1570289	1312.45
	1367880		P-UB-10	7	11	CTC-1597532	1312.45

REPLACEMENT KITS FOR CATERPILLAR® EQUIPMENT

Loaders - Wheel							
APPLICATION	CYL #	Misc-Parts, Instructions, etc.	CODE	ROD	BORE	KIT #	List \$
MODEL 992G							
LIFT RH							
7HR232-99999; ADZ1-; AZX1-833							
	1621522		P-UB-10	7	11	CTC-2297189	866.75
AZX834-							
	3153043		P-UB-10	7	11	CTC-2297189	866.75
STEERING							
7HR1-99999; ADZ1-; AZX1-							
	1128208		P-UB-10	3-1/4	5-1/2	CTC-2297191	316.33
TILT							
7HR1-99999; ADZ1-; AZX1-							
	1677996		P-UB-10	5-1/2	11	CTC-2297190	622.14
MODEL 992K							
LIFT LH							
8801-							
	2711717		P-UB-10	7	11	CTC-2297189	866.75
H4C1-							
	2711717		P-UB-10	7	11	CTC-2297189	866.75
H4C1-; ZMX1-							
	2711717		P-UB-10	7	11	CTC-2297189	866.75
LIFT RH							
8801-; ZMX1-							
	2711716		P-UB-10	7	11	CTC-2297189	866.75
H4C1-							
	2711716		P-UB-10	7	11	CTC-2297189	866.75
STEERING							
8801-; H4C1-; ZMX1-							
	1571352		P-UB-10	3-1/4	5-1/2	CTC-2297191	316.33
TILT LH							
8801-; H4C1-; ZMX1-							
	2713572		P-UB-10	6	10-1/2	CTC-2713572K	1068.41
MODEL 994D							
LIFT							
3TZ1-UP							
	1934076		P-UB-10	8	12	CTC-2456821	1586.20
	9T9020		P-UB-10	8	12	CTC-2456821	1586.20
LIFT (HI-LIFT)							
3TZ1-UP							
	1934075		P-UB-10	8	12	CTC-2456821	1586.20
	9T9023		P-UB-10	8	12	CTC-2456821	1586.20
STEERING LH							
3TZ1-UP							
	6E0529		P-UB-10	4-1/4	7-3/4	CTC-1309763	523.40
	6E0529		P-UB-1	4-1/4		CTC-1309771	366.44
STEERING RH							
3TZ1-UP							
	9T9019		P-UB-10	4-1/4	7-3/4	CTC-2463431	523.40
	9T9019		P-UB-1	4-1/4		CTC-2463432	366.44
TILT LH							
3TZ1-UP							
	1123172	CHG 10-	P-UB-10	5-1/2	10-1/2	CTC-2342590	724.73
	1123172		P-UB-10	5-1/2	10-1/2	CTC-2463437	892.94
TILT LH (HI-LIFT)							
3TZ1-UP							
	1142820		P-UB-10	5-1/2	10-1/2	CTC-2463437	892.94
	2196272	CHG 01-	P-UB-10	5-1/2	10-1/2	CTC-2342590	724.73
	2196272		P-UB-10	5-1/2	10-1/2	CTC-2463437	892.94

CATERPILLAR®

REPLACEMENT KITS FOR CATERPILLAR® EQUIPMENT

Loaders - Wheel							
APPLICATION	CYL #	Misc-Parts, Instructions, etc.	CODE	ROD	BORE	KIT #	List \$
MODEL 994D							
TILT RH							
3TZ1-UP							
	1123171	CHG 10, 11-	P-UB-10	5-1/2	10-1/2	CTC-2342590	724.73
	1123171		P-UB-10	5-1/2	10-1/2	CTC-2463437	892.94
TILT RH (HI-LIFT)							
3TZ1-UP							
	1142821		P-UB-10	5-1/2	10-1/2	CTC-2463437	892.94
	2196273	CHG 01-	P-UB-10	5-1/2	10-1/2	CTC-2342590	724.73
	2196273		P-UB-10	5-1/2	10-1/2	CTC-2463437	892.94
MODEL R1300							
EJECTOR							
6QW1-UP; LJB1-UP; RSL1-UP							
			P-UB-10	2-1/4	4	CTC-2342591	88.48
LIFT							
6QW1-UP; LJB1-UP; RSL1-UP							
			P-UB-10	3-1/4	7	CTC-2281779	206.01
RAMMER							
6QW							
			P-UB-10	2-1/2	5	CTC-2430387	285.77
STEERING							
6QW1-UP; LJB1-UP; RSL1-UP							
			P-UB-10	3	6	CTC-2378313	295.88
TILT							
6QW1-UP; LJB1-UP; RSL1-UP							
			P-UB-10	4-1/4	8-1/4	CTC-2436225	316.65
MODEL R1300G							
EJECTOR							
6QW1-UP; LJB1-UP; RSL1-UP							
			P-UB-10	2-1/4	4	CTC-2342591	88.48
LIFT							
6QW1-UP; LJB1-UP; RSL1-UP							
			P-UB-10	3-1/4	7	CTC-2281779	206.01
RAMMER							
6QW							
			P-UB-10	2-1/2	5	CTC-2430387	285.77
STEERING							
6QW1-UP; LJB1-UP; RSL1-UP							
			P-UB-10	3	6	CTC-2378313	295.88
TILT							
6QW1-UP; LJB1-UP; RSL1-UP							
			P-UB-10	4-1/4	8-1/4	CTC-2436225	316.65
MODEL R1600							
EJECTOR							
9EW1-UP; 9XP1-UP; 9PP1-UP; 9YZ1-UP							
			P-UB-10	2	4-1/2	CTC-2409936	193.04
LIFT							
9EW830-837							
			P-UB-10	3-1/4	7	CTC-2281779	206.01
9EW838-UP; 9XP; 9PP; 9YZ							
			P-UB-10	3-1/2	7-1/2	CTC-2456831	294.58
STEERING							
9EW1-UP; 9XP1-UP; 9PP1-UP; 9YZ1-UP							
			P-UB-10	2	4	CTC-2409538	94.69
TILT							
9EW1-UP; 9XP1-UP; 9PP1-UP; 9YZ1-UP							
			P-UB-10	5	9-1/4	ELPH-9EP9170	431.71

REPLACEMENT KITS FOR CATERPILLAR® EQUIPMENT

Loaders - Wheel							
APPLICATION	CYL #	Misc-Parts, Instructions, etc.	CODE	ROD	BORE	KIT #	List \$
MODEL R1600G							
EJECTOR							
		9EW1-UP; 9XP1-UP; 9PP1-UP; 9YZ1-UP	P-UB-10	2	4-1/2	CTC-2409936	193.04
LIFT							
		9EW830-837	P-UB-10	3-1/4	7	CTC-2281779	206.01
		9EW838-UP; 9XP; 9PP; 9YZ	P-UB-10	3-1/2	7-1/2	CTC-2456831	294.58
STEERING							
		9EW1-UP; 9XP1-UP; 9PP1-UP; 9YZ1-UP	P-UB-10	2	4	CTC-2409538	94.69
TILT							
		9EW1-UP; 9XP1-UP; 9PP1-UP; 9YZ1-UP	P-UB-10	5	9-1/4	ELPH-9EP9170	431.71
MODEL R1700							
LIFT							
		4LZ127-178	P-UB-10	4	8-1/2	ELPH-9DE2659	348.14
		4LZ179-187	P-UB-10	4	8-1/2	ELPH-9EL7527	388.37
		4LZ188-UP; 8XZ; SBR	P-UB-10	4	8-1/2	CTC-2460659	359.07
STEERING							
		4LZ1-UP; 8XZ1-UP; SBR1-UP	P-UB-10	2-1/2	5	CTC-1636223	290.75
TILT							
		4LZ127-130	P-UB-10	4	10	ELPH-9DE2994	444.89
		4LZ131-UP; 8XZ; SBR	P-UB-10	5-1/2	10	CTC-1663850	654.36
MODEL R1700G							
LIFT							
		4LZ127-178	P-UB-10	4	8-1/2	ELPH-9DE2659	348.14
		4LZ179-187	P-UB-10	4	8-1/2	ELPH-9EL7527	388.37
		4LZ188-UP; 8XZ; SBR	P-UB-10	4	8-1/2	CTC-2460659	359.07
STEERING							
		4LZ1-UP; 8XZ1-UP; SBR1-UP	P-UB-10	2-1/2	5	CTC-1636223	290.75
TILT							
		4LZ127-130	P-UB-10	4	10	ELPH-9DE2994	444.89
		4LZ131-UP; 8XZ; SBR	P-UB-10	5-1/2	10	CTC-1663850	654.36
Motor Graders							
APPLICATION	CYL #	Misc-Parts, Instructions, etc.	CODE	ROD	BORE	KIT #	List \$
MODEL 12G							
ARTICULATION							
		8J0546	P-UB-10	1-3/4	3	CTC-7X2791	121.52
		9T2453	P-UB-10	1-3/4	3	CTC-7X2825	73.65
		9T8784	P-UB-10	1-3/4	3	CTC-7X2825	73.65
BACKHOE STICK/BLADE SHIFT							
		8J0028	P-UB-10	1-3/4	3	CTC-7X2791	121.52

CATERPILLAR®

REPLACEMENT KITS FOR CATERPILLAR® EQUIPMENT

Motor Graders							
APPLICATION	CYL #	Misc-Parts, Instructions, etc.	CODE	ROD	BORE	KIT #	List \$
MODEL 12G							
BLADE							
	3G5223		P-UB-10	2	3-1/4	CTC-7X2767	93.15
	8J6380		P-UB-10	2	3-1/4	CTC-7X2767	93.15
	9T2472		P-UB-10	2	3	CTC-7X2753	88.94
	9T2472		P-UB-10	2	3	CTC-7X2760	96.66
BLADE TIP							
	6E1549		P-UB-10	1-1/2	2-3/4	CTC-1361599	139.86
	8J0024		P-UB-10	1-1/2	2-3/4	CTC-7X2749	81.02
	8J0024		P-UB-10	1-1/2	2-3/4	CTC-8T1402	61.13
	9J3466		P-UB-10	1-1/2	2-3/4	CTC-7X2749	81.02
	9T2461		P-UB-10	1-1/2	2-3/4	CTC-1361599	139.86
CENTER SHIFT							
	3G5224		P-UB-10	2	3-1/4	CTC-7X2767	93.15
	9T2549		P-UB-10	2	3	CTC-7X2760	96.66
CONVEYOR SWING							
	3G5224		P-UB-10	2	3-1/4	CTC-7X2767	93.15
	8J6367		P-UB-10	2	3-1/4	CTC-7X2767	93.15
	9T2549		P-UB-10	2	3	CTC-7X2760	96.66
PUMP							
	61M; 72V; 74V						
	8J0498					CTC-3G1708	221.27
RIPPER							
	1137754		P-UB-10	2	4	CTC-1328816	127.22
	8J1658		P-UB-10	2	4	CTC-1328816	127.22
SCARIFIER							
	3G1853		P-UB-10	1-3/4	3	CTC-7X2791	121.52
	8J7321		P-UB-10	1-1/2	3	CTC-7X2751	87.84
	9T2554		P-UB-10	1-3/4	3	CTC-7X2825	73.65
	9T6951		P-UB-10	1-3/4	3	CTC-7X2825	73.65
SIDESHIFT							
	1052094		P-UB-10	1-3/4	3	CTC-7X2825	73.65
	9T2483		P-UB-10	1-3/4	3	CTC-7X2825	73.65
STEERING LH							
	3G8070		P-UB-10	1-1/2	2-1/2	CTC-7X2739	77.55
	8J8820		P-UB-10	1-1/2	2-1/2	CTC-7X2739	77.55
	9T2395		P-UB-10	1-1/2	2-1/4	CTC-7X2826	55.89
STEERING RH							
	3G8069		P-UB-10	1-1/2	2-1/2	CTC-7X2739	77.55
	8J5538		P-UB-10	1-1/2	2-1/2	CTC-7X2739	77.55
	9T2393		P-UB-10	1-1/2	2-1/4	CTC-7X2826	55.89
WHEEL LEAN							
	1219242		P-UB-10	2	3-1/2	CTC-7X2783	141.24
	3G4752		P-UB-10	1-1/2	3-1/2	CTC-7X2752	130.85
	8J5539		P-UB-10	1-1/2	3-1/2	CTC-7X2752	130.85
	9T2520		P-UB-10	1-1/2	3-1/2	CTC-1327058	142.49
MODEL 12H							
ARTICULATION							
	1251-; 2GS1-; 2LR1-; 2WR1-; 4ER1-; 4XM1-; 5ZM1-303; 8MN1-; AMZ1-; CBK1-; XZJ1-						
	9T8784		P-UB-10	1-3/4	3	CTC-3769017	53.54
	2GS1-; 2LR1-; 2WR1-; 4ER1-; 4XM1-; 5ZM1-303; 8MN1-; XZJ1-						
	6E1560		P-UB-10	1-3/4	3	CTC-3769017	53.54
	AMZ1-; CBK1-						
	1376792		P-UB-10	1-7/8	3-1/4	CTC-2465926	60.62
BLADE LIFT							
	1251-; 2GS1-; 2LR291-; 2WR1-; 4ER1-; 4XM766-; 5ZM1-; 8MN1-; AMZ1-; CBK1-						
	1324929		P-UB-10	2	3	CTC-2384462	61.50

REPLACEMENT KITS FOR CATERPILLAR® EQUIPMENT

Motor Graders							
APPLICATION	CYL #	Misc-Parts, Instructions, etc.	CODE	ROD	BORE	KIT #	List \$
MODEL 12H							
BLADE TIP							
1251-; 2WR566-							
	9T2461		P-UB-10	1-1/2	2-3/4	CTC-2339204	85.83
1251-; 2WR753-							
	1317191		P-UB-10	1-1/2	2-3/4	CTC-1856596	63.53
2GS1-388; 2LR1-; 2WR1-; 4ER1-; 4XM1-2005; 5ZM1-297; 8MN1-669							
	6E1549		P-UB-10	1-1/2	2-3/4	CTC-2339204	85.83
2GS389-; 4ER557-; 4XM2006-; 5ZM298-; 8MN670-; AMZ1-; CBK1-; XZJ1-							
	1317191		P-UB-10	1-1/2	2-3/4	CTC-2339204	85.83
CENTER SHIFT							
1251-; 2GS1-; 2LR1-; 2WR1-; 4ER1-; 4XM1-; 5ZM1-; 8MN1-; AMZ1-; CBK1-; XZJ1-							
	6E1343		P-UB-10	2	3	CTC-1857667	116.13
CONVEYOR SWING							
	6E1343		P-UB-10	2	3	CTC-7X2760	96.66
LIFT							
2LR1-290; 2WR1-; 4ER1-; 4XM1-760; 4XM763-765; 8MN1-							
	6E1338		P-UB-10	2	3	CTC-2384462	61.50
2WR1-							
	3Q8420		P-UB-10	1-3/4	3	CTC-7X2791	121.52
LIFT/TILT							
1251-; 2WR1-							
	1526485		P-UB-10	2	4	CTC-2409538	94.69
RIPPER							
1251-; 2LR1-; 2WR1-; 4XM1-; 5ZM1-; AMZ1-							
	1137754		P-UB-10	2	4	CTC-1857688	95.52
2GS1-; 4ER1-; 8MN1-; CBK1-; XZJ1-							
	1137754		P-UB-10	2	4	CTC-2339205	59.01
SCARIFIER							
	9T2554		P-UB-10	1-3/4	3	CTC-7X2825	73.65
2GS1-; 2LR1-; 2WR1-; 4ER1-303; 4XM2285-; 5ZM1-; 8MN1-; AMZ1-; CBK1-; XZJ1-							
	1652510		P-UB-10	1-3/4	3	CTC-3769017	53.54
2LR1-; 4XM1-2284; 5ZM1-							
	9T6951		P-UB-10	1-3/4	3	CTC-7X2825	73.65
SIDESHIFT							
1251-; 2GS1-; 2LR1-; 2WR1-; 4ER1-; 4XM1-; 5ZM1-; 8MN1-; AMZ1-; CBK1-; XZJ1-							
	1125575		P-UB-10	1-3/4	3	CTC-3769017	53.54
STEERING LH							
1251-; 2GS448-; 2LR1-; 2WR881-883; 2WR887-; 4ER627-; 4XM1-; 8MN724-; AMZ1-; CBK1-; XZJ1-							
	1309041		P-UB-10	1-1/2	2-1/4	CTC-1856590	41.91
2GS1-447; 2LR1-; 2WR1-880; 2WR884-886; 4ER1-626; 4XM1-; 5ZM1-303; 8MN1-723							
	9T2395		P-UB-10	1-1/2	2-1/4	CTC-2465916	73.96
STEERING RH							
1251-; 2GS448-; 2LR1-; 2WR881-883; 2WR887-; 4ER627-; 4XM1-; 8MN724-; AMZ1-; CBK1-; XZJ1-							
	1309042		P-UB-10	1-1/2	2-1/4	CTC-1856590	41.91
2GS1-447; 2LR1-; 2WR1-880; 2WR884-886; 4ER1-626; 4XM1-; 5ZM1-303							
	9T2393		P-UB-10	1-1/2	2-1/4	CTC-2465916	73.96
WHEEL LEAN							
	9T2520		P-UB-10	1-1/2	3-1/2	CTC-1327058	142.49
1251-; 2GS1-; 2LR1-2WR1-; 4ER1-; 4XM1-; 5ZM1-303; 8MN1-; AMZ1-; CBK1-; XZJ1-							
	1219242		P-UB-10	2	3-1/2	CTC-3769011	89.39
MODEL 12M							
ARTICULATION							
B921-; F9B1-; F9M1-; R9P1-; R9S1-							
	2470096		P-UB-10	1-7/8	3-1/4	CTC-2465926	60.62
B9F1-13; B9R1-23							
	2627758		P-UB-10	1-3/4	3	CTC-2275350	45.88

CATERPILLAR®

REPLACEMENT KITS FOR CATERPILLAR® EQUIPMENT

Motor Graders							
APPLICATION	CYL #	Misc-Parts, Instructions, etc.	CODE	ROD	BORE	KIT #	List \$
MODEL 12M							
ARTICULATION							
	B9F14-; B9R24-						
	3163308		P-UB-10	1-3/4	3	CTC-3769017	53.54
	R9B1-						
	3163308		P-UB-10	1-3/4	3	CTC-3233312	53.54
BLADE							
	B9F1-; B921-						
	3149338		P-UB-10	1-3/4	3-1/2	CTC-3260503	219.76
BLADE LIFT							
	B921-; F9B1-; F9M1-; R9P1-; R9S1-						
	3351974		P-UB-10	2	3	CTC-2384462	61.50
	B9F1-; B9R1-; R9B1-						
	2707534		P-UB-10	2	3	CTC-2384462	61.50
BLADE TIP							
	B9F1-; B9R1-; B921-; F9B1-; F9M1-; R9B1-; R9P1-; R9S1-						
	1317191		P-UB-10	1-1/2	2-3/4	CTC-2339204	85.83
CENTER SHIFT							
	B921-; F9B1-; F9M1-; R9P1-; R9S1-						
	2621907		P-UB-10	2	3	CTC-2384462	61.50
	B9F1-; B9R1-; R9B1-						
	2621908		P-UB-10	2	3	CTC-2384462	61.50
LIFT							
	B9F1-; B9R1-; R9B1-						
	3351973		P-UB-10	2	3	CTC-2384462	61.50
RIPPER							
	B9F1-; B921-						
	1137754		P-UB-10	2	4	CTC-2339205	59.01
	B9F1-; B921-; F9B1-; F9M1-; R9P1-; R9S1-						
	3262227		P-UB-10	50 mm	110 mm	CTC-4173698	127.05
	B9R1-; R9B1-						
	1137754		P-UB-10	2	4	CTC-1857688	95.52
SCARIFIER							
	B9F1-; B9R1-; B921-; F9B1-; F9M1-; R9B1-; R9P1-; R9S1-						
	1652510		P-UB-10	1-3/4	3	CTC-3769017	53.54
SIDESHIFT							
	B9F1-; B9R1-; B921-; F9B1-; F9M1-; R9B1-; R9P1-; R9S1-						
	2494116		P-UB-10	1-3/4	3	CTC-3769017	53.54
STEERING							
	B92249-UP						
	3896062		P-UB-10	2	3	CTC-3076273	51.07
	B9F1-; B9R1-; B921-; F9M1-; R9B1-; R9S1-						
	2558715		P-UB-10	2	3	CTC-3076273	51.07
	F9B1-; R9P1-						
	2625766		P-UB-10	2	3	CTC-3076273	51.07
WHEEL LEAN							
	B9F1-; B9R1-; B921-; F9B1-; F9M1-; R9B1-; R9P1-; R9S1-						
	2495299		P-UB-10	2	3-1/2	CTC-3769011	89.39
WORK TOOL LIFT							
	B9F1-; B9R1-; B921-; F9B1-; F9M1-; R9B1-; R9S1-						
	2173501		P-UB-10	1-3/4	3-1/2	CTC-2401881	98.74
MODEL 12M2							
ARTICULATION							
	F9B1-UP; F9M1-UP; R9P1-UP; R9S1-UP						
	2470096		P-UB-10	1-7/8	3-1/4	CTC-2465926	60.62

REPLACEMENT KITS FOR CATERPILLAR® EQUIPMENT

Motor Graders							
APPLICATION	CYL #	Misc-Parts, Instructions, etc.	CODE	ROD	BORE	KIT #	List \$
MODEL 12M2							
BLADE LIFT							
F9B1-UP; F9M1-UP; R9P1-UP; R9S1-UP							
3351974		P-UB-10	2	3	CTC-2384462	61.50	
BLADE TIP							
F9B1-UP; F9M1-UP; R9P1-UP; R9S1-UP							
1317191		P-UB-10	1-1/2	2-3/4	CTC-2339204	85.83	
BULLDOZER							
F9B1-UP; F9M1-UP							
3149338		P-UB-10	1-3/4	3-1/2	CTC-3260503	219.76	
CENTERSHIFT							
F9B1-UP; F9M1-UP; R9P1-UP; R9S1-UP							
2621907		P-UB-10	2	3	CTC-2384462	61.50	
LINK							
R9P1-UP; R9S1-UP							
2773811		P-UB-10	1-3/4	3-1/2	CTC-2401881	98.74	
MAST							
R9P1-UP; R9S1-UP							
2558000		GK-I-U-12	2, 3	2-1/2, 3-1/2	CTC-2599096	264.49	
RIPPER							
F9B1-UP; F9M1-UP; R9P1-UP; R9S1-UP							
3262227		P-UB-10	50 mm	110 mm	CTC-4173698	127.05	
SCARIFIER							
F9B1-UP; F9M1-UP; R9P1-UP; R9S1-UP							
1652510		P-UB-10	1-3/4	3	CTC-3769017	53.54	
SIDESHIFT							
F9B1-UP; F9M1-UP; R9P1-UP; R9S1-UP							
2494116		P-UB-10	1-3/4	3	CTC-3769017	53.54	
STEERING							
F9B185-UP							
3844547		P-UB-10	2	3	CTC-3076273	51.07	
F9B1-UP; R9P1-UP							
2625766		P-UB-10	2	3	CTC-3076273	51.07	
F9M1-UP; R9S1-UP							
2558715		P-UB-10	2	3	CTC-3076273	51.07	
F9M410-UP; R9S1-UP							
3896062		P-UB-10	2	3	CTC-3076273	51.07	
WHEEL LEAN							
F9B1-UP; F9M1-UP; R9P1-UP; R9S1-UP							
2495299		P-UB-10	2	3-1/2	CTC-3769011	89.39	
WORK TOOL LIFT							
F9B1-UP; F9M1-UP; R9P1-UP; R9S1-UP							
2173501		P-UB-10	1-3/4	3-1/2	CTC-2401881	98.74	
MODEL 12M3							
ARTICULATION							
N9B1-UP; N9F1-UP; N9P1-UP; N9R1-UP							
2470096		P-UB-10	1-7/8	3-1/4	CTC-2465926	60.62	
BLADE							
N9B1-UP; N9F1-UP							
3149338		P-UB-10	1-3/4	3-1/2	CTC-3260503	219.76	
BLADE LIFT							
N9B1-UP; N9F1-UP; N9P1-UP; N9R1-UP							
3351974		P-UB-10	2	3	CTC-2384462	61.50	
BLADE TIP							
N9B1-UP; N9F1-UP; N9P1-UP; N9R1-UP							
1317191		P-UB-10	1-1/2	2-3/4	CTC-2339204	85.83	

CATERPILLAR®

REPLACEMENT KITS FOR CATERPILLAR® EQUIPMENT

Motor Graders							
APPLICATION	CYL #	Misc-Parts, Instructions, etc.	CODE	ROD	BORE	KIT #	List \$
MODEL 12M3							
CENTERSHIFT							
	N9B1-UP; N9F1-UP; N9P1-UP; N9R1-UP						
	2621907		P-UB-10	2	3	CTC-2384462	61.50
RIPPER							
	N9B1-UP; N9F1-UP; N9P1-UP; N9R1-UP						
	3262227		P-UB-10	50 mm	110 mm	CTC-4173698	127.05
SCARIFIER							
	N9B1-UP; N9F1-UP; N9P1-UP; N9R1-UP						
	1652510		P-UB-10	1-3/4	3	CTC-3769017	53.54
SIDESHIFT							
	N9B1-UP; N9F1-UP; N9P1-UP; N9R1-UP						
	2494116		P-UB-10	1-3/4	3	CTC-3769017	53.54
	N9P1-UP; N9R1-UP						
	5096993		P-UB-10	1-3/4	3	CTC-SK100214	95.75
STEERING							
	N9B1-UP; N9P1-UP						
	3844547		P-UB-10	2	3	CTC-4710161	120.68
	N9P1-UP; N9R1-UP						
	3896062		P-UB-10	2	3	CTC-4710161	120.68
WHEEL LEAN							
	N9B1-UP; N9F1-UP; N9P1-UP; N9R1-UP						
	2495299		P-UB-10	2	3-1/2	CTC-3769011	89.39
WORK TOOL LIFT							
	N9B1-UP; N9F1-UP						
	2173501		P-UB-10	1-3/4	3-1/2	CTC-2401881	98.74
WORK TOOL SNOW WING							
	N9P1-UP; N9R1-UP						
	2773836		P-UB-10	1-3/4	3	CTC-2402016	56.96
MODEL 14G							
ARTICULATION							
	1U2704		P-UB-10	2	3-1/2	CTC-7X2792	120.39
	6E2446		P-UB-10	2	3-1/2	CTC-7X2783	141.24
	6E4724		P-UB-10	2	3-1/2	CTC-7X2783	141.24
	9T2879		P-UB-10	2	3-1/2	CTC-7X2783	141.24
BACKHOE STICK/BLADE SHIFT							
	8J6359		P-UB-10	2-1/4	3-3/4	CTC-7X2798	104.11
BLADE							
	8J6010		P-UB-10	2-1/4	3-3/4	CTC-7X2798	104.11
BLADE LIFT							
	3G5227		P-UB-10	2-1/4	3-3/4	CTC-7X2798	104.11
BLADE TIP							
	9T3198		P-UB-10	2	4	CTC-1328816	127.22
	9T8944		P-UB-10	2	4	CTC-1328816	127.22
CENTER SHIFT							
	3G5228		P-UB-10	2-1/4	3-3/4	CTC-7X2798	104.11
CONVEYOR SWING							
	3G5228		P-UB-10	2-1/4	3-3/4	CTC-7X2798	104.11
	8J6250		P-UB-10	2-1/4	3-3/4	CTC-7X2798	104.11
DRAWBAR TIP							
	8J6256		P-UB-10	1-3/4	3	CTC-7X2791	121.52
LIFT RH							
	6J5843		P-UB-10	2-1/2	5	CTC-7X2675	170.44
RIPPER							
	1135264		P-UB-10	2-1/2	5	CTC-1361967	251.91
	3G1762		P-UB-10	2-1/2	5	CTC-1315106	199.56
	3G5189		P-UB-10	2-1/2	5	CTC-7X2658	230.88

CATERPILLAR®

REPLACEMENT KITS FOR CATERPILLAR® EQUIPMENT

Motor Graders							
APPLICATION	CYL #	Misc-Parts, Instructions, etc.	CODE	ROD	BORE	KIT #	List \$
MODEL 14G							
SIDESHIFT							
	4T0340		P-UB-10	2-1/2	4	CTC-7X2665	203.29
	9T3206		P-UB-10	2-1/2	4	CTC-1542501	196.93
STEERING LH							
	3G7644		P-UB-10	1-1/2	2-3/4	CTC-7X2749	81.02
	9J0541		P-UB-10	1-1/2	2-3/4	CTC-7X2749	81.02
	9T1721		P-UB-10	1-3/4	2-1/2	CTC-1539054	155.22
STEERING RH							
	3G7643		P-UB-10	1-1/2	2-3/4	CTC-7X2749	81.02
	8J5386		P-UB-10	1-1/2	2-3/4	CTC-7X2749	81.02
	9T1301		P-UB-10	1-3/4	2-1/2	CTC-1539054	155.22
TIP							
	4T0379		P-UB-10	2	4	CTC-1328816	127.22
WHEEL LEAN							
	1219243		P-UB-10	2	3-1/2	CTC-7X2783	141.24
	3G4751		P-UB-10	1-1/2	3-1/2	CTC-7X2752	130.85
	8J5385		P-UB-10	1-1/2	3-1/2	CTC-7X2752	130.85
	9T3219		P-UB-10	1-1/2	3-1/2	CTC-1327058	142.49
MODEL 14H							
ARTICULATION							
	6E2446		P-UB-10	2	3-1/2	CTC-7X2783	141.24
	9T2879		P-UB-10	2	3-1/2	CTC-7X2783	141.24
	7WJ1-						
	6E4724		P-UB-10	2	3-1/2	CTC-3769011	89.39
	ASE1-						
	1846804		P-UB-10	2	3-1/2	CTC-3769011	89.39
BLADE LIFT							
	7WJ1-						
	9T2703		P-UB-10	2-1/4	3-1/2	CTC-2350355	220.01
	7WJ1-; ASE1-						
	1752603		P-UB-10	2-1/4	3-1/2	CTC-2350355	220.01
BLADE TIP							
	9T3198		P-UB-10	2	4	CTC-1328816	127.22
	7WJ1-; ASE1-						
	9T8944		P-UB-10	2	4	CTC-2339205	59.01
CENTER SHIFT							
	7WJ1-985						
	9T2696		P-UB-10	2-1/4	3-1/2	CTC-2350355	220.01
	7WJ986-						
	1574679		P-UB-10	2-1/4	3-1/2	CTC-2350355	220.01
	7WJ986-; ASE1-						
	2095773		P-UB-10	2-1/4	3-1/2	CTC-2350355	220.01
RIPPER							
	7WJ1-; ASE1-						
	1135264	0.98 wide rod bearing	P-UB-10	2-1/2	5	CTC-2275347	128.71
	1135264	1.24" wide rod bearing	P-UB-10	2-1/2	5	CTC-2430384	111.22
SIDESHIFT							
	7WJ1-; ASE1-						
	9T3206	0.98 wide rod bearing	P-UB-10	2-1/2	4	CTC-2341949	67.52
	9T3206	1.24" wide rod bearing	P-UB-10	2-1/2	4	CTC-2422548	79.07
STEERING LH							
	7WJ1-						
	9T1301	Cyl Type 1, Head 6E4941	P-UB-10	1-3/4	2-1/2	CTC-2402484	151.78
	9T1301	Cyl Type 2, Head 1515349 or 3831592	P-UB-10	1-3/4	2-1/2	CTC-2405500	79.10
	9T1721	Cyl Type 1, Head 6E4941	P-UB-10	1-3/4	2-1/2	CTC-2402484	151.78
	9T1721	Cyl Type 2, Head 1515349 or 3831592	P-UB-10	1-3/4	2-1/2	CTC-2405500	79.10

CATERPILLAR®

REPLACEMENT KITS FOR CATERPILLAR® EQUIPMENT

Motor Graders							
APPLICATION	CYL #	Misc-Parts, Instructions, etc.	CODE	ROD	BORE	KIT #	List \$
MODEL 14H							
STEERING LH							
	7WJ1-; ASE1-						
	1652496		P-UB-10	1-3/4	2-1/2	CTC-2405500	79.10
STEERING RH							
	9T1301		P-UB-10	1-3/4	2-1/2	CTC-1539054	155.22
	7WJ1-; ASE1-						
	1652495		P-UB-10	1-3/4	2-1/2	CTC-2405500	79.10
WHEEL LEAN							
	9T3219		P-UB-10	1-1/2	3-1/2	CTC-1327058	142.49
	7WJ1-; ASE1-						
	1219243		P-UB-10	2	3-1/2	CTC-3769011	89.39
MODEL 14M							
ARTICULATION							
	B9J1-1450; R9J1-						
	3039598		P-UB-10	55 mm	95 mm	CTC-3176058	152.33
BLADE LIFT							
	B9J1-1450; R9J1-250						
	2707536		P-UB-10	2-1/4	3-1/2	CTC-2350355	220.01
	R9J251-						
	3657414		P-UB-10	2-1/4	3-1/2	CTC-2350355	220.01
BLADE TIP							
	B9J1-1450; R9J1-						
	9T8944		P-UB-10	2	4	CTC-2339205	59.01
CENTER SHIFT							
	B9J1-1450; R9J1-						
	2621906		P-UB-10	2-1/4	3-1/2	CTC-2350355	220.01
RIPPER							
	B9J1-1450; R9J1-						
	1135264	0.98 wide rod bearing	P-UB-10	2-1/2	5	CTC-2275347	128.71
	1135264	1.24" wide rod bearing	P-UB-10	2-1/2	5	CTC-2430384	111.22
SIDESHIFT							
	B9J1-1450; R9J1-						
	2575083		P-UB-10	2-1/2	4	CTC-2341949	67.52
STEERING LH							
	B9J1-1450; R9J1-						
	2765682		P-UB-10	2	3	CTC-3655556	46.85
STEERING RH							
	B9J1-1450; R9J1-						
	2765681		P-UB-10	2	3	CTC-3655556	46.85
WHEEL LEAN							
	B9J1-1450; R9J1-						
	2495299		P-UB-10	2	3-1/2	CTC-3769011	89.39
MODEL 16G							
ARTICULATION							
	1U1649		P-UB-10	2-1/2	4	CTC-7X2665	203.29
	9T3050		P-UB-10	2-1/2	4	CTC-1542501	196.93
BLADE							
	9T3106		P-UB-10	2-1/2	4	CTC-1542501	196.93
BLADE LIFT							
	3G5229		P-UB-10	2-1/2	4-1/4	CTC-7X2663	67.75
	8J5568		P-UB-10	2-1/2	4-1/4	CTC-7X2663	67.75
BLADE TIP							
	6J9731		P-UB-10	1-1/2	4	CTC-7X2738	119.97
	6J9732		P-UB-10	1-1/2	4	CTC-7X2738	119.97
	9T3198		P-UB-10	2	4	CTC-1328816	127.22
	9T8944		P-UB-10	2	4	CTC-1328816	127.22

REPLACEMENT KITS FOR CATERPILLAR® EQUIPMENT

Motor Graders							
APPLICATION	CYL #	Misc-Parts, Instructions, etc.	CODE	ROD	BORE	KIT #	List \$
MODEL 16G							
CENTER SHIFT							
	3G5230		P-UB-10	2-1/2	4-1/4	CTC-7X2663	67.75
CONVEYOR SWING							
	9T3312		P-UB-10	2-1/2	4	CTC-1542501	196.93
DRAWBAR TIP							
	8J3761		P-UB-10	1-3/4	3	CTC-7X2791	121.52
LIFT							
	8J5827		P-UB-10	2-1/2	4-1/4	CTC-7X2663	67.75
LIFT LH							
	6J5844		P-UB-10	2-1/2	5	CTC-7X2675	170.44
LIFT RH							
	6J5843		P-UB-10	2-1/2	5	CTC-7X2675	170.44
RIPPER							
	1135264		P-UB-10	2-1/2	5	CTC-1361967	251.91
	3G1762		P-UB-10	2-1/2	5	CTC-1315106	199.56
	3G5189		P-UB-10	2-1/2	5	CTC-7X2658	230.88
SIDESHIFT							
	4T0340		P-UB-10	2-1/2	4	CTC-7X2665	203.29
	9T3206		P-UB-10	2-1/2	4	CTC-1542501	196.93
STEERING							
	1U2704		P-UB-10	2	3-1/2	CTC-7X2792	120.39
STEERING LH							
	3G7599		P-UB-10	1-3/4	3	CTC-7X2791	121.52
	8J3612		P-UB-10	1-3/4	3	CTC-7X2791	121.52
	9T2854		P-UB-10	1-3/4	2-3/4	CTC-1539053	190.69
STEERING RH							
	3G7600		P-UB-10	1-3/4	3	CTC-7X2791	121.52
	8J8411		P-UB-10	1-3/4	3	CTC-7X2791	121.52
	9T2853		P-UB-10	1-3/4	2-3/4	CTC-1539053	190.69
	9T2853		P-UB-10	1-3/4	2-3/4	CTC-7X2820	108.52
TIP							
	4T0379		P-UB-10	2	4	CTC-1328816	127.22
WHEEL LEAN							
	1219244		P-UB-10	2-1/4	4	CTC-1361171	139.03
	3G4750		P-UB-10	1-3/4	4	CTC-7X2790	127.50
	8J3613		P-UB-10	1-3/4	4	CTC-1316108	149.01
	9T3492		P-UB-10	1-3/4	4	CTC-1316108	149.01
MODEL 16H							
ARTICULATION							
	6ZJ1-; ATS1-						
	9T3050	Head 1213397 or 1729981	P-UB-10	2-1/2	4	CTC-2341949	67.52
	9T3050	Head 6E4978	P-UB-10	2-1/2	4	CTC-2422548	79.07
BLADE LIFT							
	6ZJ1-; ATS1-						
	9T3106	Head 1213397	P-UB-10	2-1/2	4	CTC-2341949	67.52
	9T3106	Head 6E4978	P-UB-10	2-1/2	4	CTC-2422548	79.07
BLADE TIP							
	9T3198		P-UB-10	2	4	CTC-1328816	127.22
	6ZJ1-; ATS1-						
	9T8944		P-UB-10	2	4	CTC-2339205	59.01
CENTER SHIFT							
	6ZJ1-; ATS1-						
	9T3312	Head 1213397	P-UB-10	2-1/2	4	CTC-2341949	67.52
	9T3312	Head 6E4978	P-UB-10	2-1/2	4	CTC-2422548	79.07
CONVEYOR SWING							
	9T3312		P-UB-10	2-1/2	4	CTC-1542501	196.93

CATERPILLAR®

REPLACEMENT KITS FOR CATERPILLAR® EQUIPMENT

Motor Graders							
APPLICATION	CYL #	Misc-Parts, Instructions, etc.	CODE	ROD	BORE	KIT #	List \$
MODEL 16H							
RIPPER							
6ZJ1-; ATS1-							
1135264		Head 1213395, 0.98 wide rod bearing	P-UB-10	2-1/2	5	CTC-2275347	128.71
1135264		1.24" wide rod bearing	P-UB-10	2-1/2	5	CTC-2430384	111.22
SIDESHIFT							
6ZJ1-; ATS1-							
9T3206		Head 1213397 or 1729981	P-UB-10	2-1/2	4	CTC-2341949	67.52
9T3206		Head 6E4978	P-UB-10	2-1/2	4	CTC-2422548	79.07
STEERING LH							
6ZJ1-							
9T2854			P-UB-10	1-3/4	2-3/4	CTC-2342595	190.69
6ZJ1-; ATS1-							
1652507			P-UB-10	1-3/4	2-3/4	CTC-1857035	153.73
STEERING RH							
6ZJ1-							
9T2853			P-UB-10	1-3/4	2-3/4	CTC-2342595	190.69
6ZJ1-; ATS1-							
1652506			P-UB-10	1-3/4	2-3/4	CTC-1857035	153.73
WHEEL LEAN							
1219244			P-UB-10	2-1/4	4	CTC-1361171	139.03
9T3492			P-UB-10	1-3/4	4	CTC-1316108	149.01
6ZJ1-; ATS1-							
1219244			P-UB-10	2-1/4	4	CTC-4252108	123.61
MODEL 16M							
ARTICULATION							
B9H1-722; R9H1-							
2908074			P-UB-10	2-1/2	4	CTC-2341949	67.52
R9H1-							
3786610			P-UB-10	2-1/2	4	CTC-2341949	67.52
BLADE LIFT							
B9H1-; R9H1-222							
2707538			P-UB-10	2-1/2	4	CTC-2341949	67.52
R9H223-							
3657416			P-UB-10	2-1/2	4	CTC-2341949	67.52
BLADE TIP							
B9H1-; R9H1-							
9T8944			P-UB-10	2	4	CTC-2339205	59.01
CENTER SHIFT							
B9H1-; R9H1-							
2621905			P-UB-10	2-1/2	4	CTC-2341949	67.52
RIPPER							
B9H1-; R9H1-							
1135264		0.98 wide rod bearing	P-UB-10	2-1/2	5	CTC-2275347	128.71
1135264		1.24" wide rod bearing	P-UB-10	2-1/2	5	CTC-2430384	111.22
SIDESHIFT							
B9H1-; R9H1-							
2575083			P-UB-10	2-1/2	4	CTC-2341949	67.52
STEERING							
B9H1-; R9H1-							
2673863			P-UB-10	2	3	CTC-3076273	51.07
WHEEL LEAN							
B9H1-; R9H1-							
2893054			P-UB-10	2-1/4	4	CTC-4252108	123.61

REPLACEMENT KITS FOR CATERPILLAR® EQUIPMENT

Motor Graders							
APPLICATION	CYL #	Misc-Parts, Instructions, etc.	CODE	ROD	BORE	KIT #	List \$
MODEL 24H							
ARTICULATION							
	1170837		P-UB-10	3	4-3/4	CTC-1570288	223.98
	1433033		P-UB-10	3	5	CTC-1605784	99.37
BLADE							
	1170830		P-UB-10	2-1/4	4	CTC-1361171	139.03
	1170832		P-UB-10	3	5-1/4	CTC-3E3293	243.78
RIPPER							
	1137754		P-UB-10	2	4	CTC-1328816	127.22
STEERING							
	1170833		I-UB-10	2-1/2	3-1/2	CTC-3E3299	183.90
TIP							
	1435988	Rod Bearing width- 0.98"	P-UB-10	2-1/2	4-3/4	CTC-1361131	196.39
WHEEL LEAN							
	1170836	Rod Bearing width- 0.98"	P-UB-10	2-1/2	4-3/4	CTC-1361131	196.39
MODEL 112E							
STEERING							
	4J4115		P-UB-10	1-1/2	4	CTC-7X2738	119.97
MODEL 112F							
STEERING							
	4J4115		P-UB-10	1-1/2	4	CTC-7X2738	119.97
MODEL 120							
STEERING							
	4J4115		P-UB-10	1-1/2	4	CTC-7X2738	119.97
MODEL 120G							
ARTICULATION							
	8J8590		P-UB-10	1-3/4	3	CTC-7X2791	121.52
	9T2447		P-UB-10	1-3/4	3	CTC-7X2825	73.65
	9T8785		P-UB-10	1-3/4	3	CTC-7X2825	73.65
BACKHOE STICK/BLADE SHIFT							
	8J0028		P-UB-10	1-3/4	3	CTC-7X2791	121.52
	9T2483		P-UB-10	1-3/4	3	CTC-7X2825	73.65
BLADE							
	3G5225		P-UB-10	1-3/4	3	CTC-7X2791	121.52
	8J8589		P-UB-10	1-3/4	3	CTC-7X2791	121.52
	9T2471		P-UB-10	1-3/4	3	CTC-7X2825	73.65
BLADE LIFT							
	3G5225		P-UB-10	1-3/4	3	CTC-7X2791	121.52
BLADE RH							
	6J5843		P-UB-10	2-1/2	5	CTC-7X2675	170.44
BLADE TIP							
	6E1549		P-UB-10	1-1/2	2-3/4	CTC-1361599	139.86
	8J0024		P-UB-10	1-1/2	2-3/4	CTC-7X2749	81.02
	9J3466		P-UB-10	1-1/2	2-3/4	CTC-7X2749	81.02
	9T2461		P-UB-10	1-1/2	2-3/4	CTC-1361599	139.86
CENTER SHIFT							
	3G5226		P-UB-10	1-3/4	3	CTC-7X2791	121.52
	8J6367		P-UB-10	2	3-1/4	CTC-7X2767	93.15
	9T2374		P-UB-10	1-3/4	3	CTC-7X2825	73.65
CONVEYOR SWING							
	3G5226		P-UB-10	1-3/4	3	CTC-7X2791	121.52
	8J8777		P-UB-10	1-3/4	3	CTC-7X2791	121.52
	9T2374		P-UB-10	1-3/4	3	CTC-7X2825	73.65
PUMP							
	87V						
	8J6730					CTC-3G1708	221.27

CATERPILLAR®

REPLACEMENT KITS FOR CATERPILLAR® EQUIPMENT

Motor Graders							
APPLICATION	CYL #	Misc-Parts, Instructions, etc.	CODE	ROD	BORE	KIT #	List \$
MODEL 120G							
SCARIFIER							
	3G1853		P-UB-10	1-3/4	3	CTC-7X2791	121.52
	8J7321		P-UB-10	1-1/2	3	CTC-7X2751	87.84
	9T2554		P-UB-10	1-3/4	3	CTC-7X2825	73.65
	9T6951		P-UB-10	1-3/4	3	CTC-7X2825	73.65
SIDESHIFT							
	1052094		P-UB-10	1-3/4	3	CTC-7X2825	73.65
	8J0028		P-UB-10	1-3/4	3	CTC-7X2791	121.52
	9T2483		P-UB-10	1-3/4	3	CTC-7X2825	73.65
STEERING LH							
	3G8070		P-UB-10	1-1/2	2-1/2	CTC-7X2739	77.55
	8J8820		P-UB-10	1-1/2	2-1/2	CTC-7X2739	77.55
	9T2395		P-UB-10	1-1/2	2-1/4	CTC-7X2826	55.89
STEERING RH							
	3G8069		P-UB-10	1-1/2	2-1/2	CTC-7X2739	77.55
	8J5538		P-UB-10	1-1/2	2-1/2	CTC-7X2739	77.55
	9T2393		P-UB-10	1-1/2	2-1/4	CTC-7X2826	55.89
WHEEL LEAN							
	1219242		P-UB-10	2	3-1/2	CTC-7X2783	141.24
	3G4752		P-UB-10	1-1/2	3-1/2	CTC-7X2752	130.85
	8J5539		P-UB-10	1-1/2	3-1/2	CTC-7X2752	130.85
	9T2520		P-UB-10	1-1/2	3-1/2	CTC-1327058	142.49
MODEL 120H							
ARTICULATION							
	6E1554		P-UB-10	1-3/4	3	CTC-7X2825	73.65
	6E4724		P-UB-10	2	3-1/2	CTC-7X2783	141.24
	9T8785		P-UB-10	1-3/4	3	CTC-7X2825	73.65
BLADE							
	1125575		P-UB-10	1-3/4	3	CTC-7X2825	73.65
	1198664		P-UB-10	2	3	CTC-7X2760	96.66
	1324926		P-UB-10	2	3	CTC-7X2760	96.66
BLADE TIP							
	6E1549		P-UB-10	1-1/2	2-3/4	CTC-1361599	139.86
CONVEYOR SWING							
	6E1754		P-UB-10	2	3	CTC-7X2760	96.66
SCARIFIER							
	9T2554		P-UB-10	1-3/4	3	CTC-7X2825	73.65
	9T6951		P-UB-10	1-3/4	3	CTC-7X2825	73.65
STEERING LH							
	9T2395		P-UB-10	1-1/2	2-1/4	CTC-7X2826	55.89
STEERING RH							
	9T2393		P-UB-10	1-1/2	2-1/4	CTC-7X2826	55.89
WHEEL LEAN							
	1219242		P-UB-10	2	3-1/2	CTC-7X2783	141.24
	9T2520		P-UB-10	1-1/2	3-1/2	CTC-1327058	142.49
MODEL 120M							
ARTICULATION							
	B9C1-UP; B9N148-UP; B9W1-UP; CBS1-UP; D9W1-UP; NJD1-UP; PJB1-UP; R9A1-UP; R9C1-UP; RMY1-UP						
	3163308		P-UB-10	1-3/4	3	CTC-3769017	53.54
	B9N1-147						
	2627758		P-UB-10	1-3/4	3	CTC-2275350	45.88
BLADE LIFT							
	B9C1000-UP; B9W1-UP; D9W1-UP; R9A1-UP; R9C1-UP						
	3351973		P-UB-10	2	3	CTC-2384462	61.50
	B9C1-715; B9N1-UP; B9W1-UP; D9W1-191; R9A1-UP; R9C1-UP						
	2707534		P-UB-10	2	3	CTC-2384462	61.50

CATERPILLAR®

REPLACEMENT KITS FOR CATERPILLAR® EQUIPMENT

Motor Graders							
APPLICATION	CYL #	Misc-Parts, Instructions, etc.	CODE	ROD	BORE	KIT #	List \$
MODEL 120M							
BLADE LIFT							
CBS1-UP; NJD1-UP; PJB1-UP; RMY1-UP							
3261217			P-UB-10	2	3	CTC-2384462	61.50
BLADE TIP							
B9C1-UP; B9N1-UP; B9W1-UP; CBS1-UP; D9W1-UP; NJD1-UP; PJB1-UP; R9A1-UP; R9C1-UP; RMY1-UP							
1317191			P-UB-10	1-1/2	2-3/4	CTC-2339204	85.83
PJB1-UP							
3470206			P-UB-10	1-1/2	2-3/4	CTC-2339204	85.83
BULLDOZER							
B9C1-UP; B9W209-UP; D9W1-UP; R9A1-UP; R9C1-UP							
3149338			P-UB-10	1-3/4	3-1/2	CTC-3260503	219.76
CENTERSHIFT							
B9C1-UP; B9N1-UP; B9W1-UP; CBS1-UP; D9W1-UP; NJD1-UP; PJB1-UP; R9A1-UP; R9C1-UP; RMY1-UP							
2621908			P-UB-10	2	3	CTC-2384462	61.50
PJB1-UP							
3470203			P-UB-10	2	3	CTC-2384462	61.50
RIPPER							
B9C1-UP; B9N1-UP; B9W1-UP; D9W1-UP							
6E4724			P-UB-10	2	3-1/2	CTC-3769011	89.39
B9C1-UP; B9N1-UP; B9W1-UP; D9W1-UP; R9A1-UP; R9C1-UP							
1137754			P-UB-10	2	4	CTC-2339205	59.01
B9C1-UP; B9W209-UP; D9W1-UP; R9A1-UP; R9C1-UP							
3262227			P-UB-10	50 mm	110 mm	CTC-4173698	127.05
SCARIFIER							
B9C1-UP; B9N1-UP; B9W1-UP; CBS1-UP; D9W1-UP; NJD1-UP; PJB1-UP; R9A1-UP; R9C1-UP; RMY1-UP							
1652510			P-UB-10	1-3/4	3	CTC-3769017	53.54
SIDESHIFT							
B9C1-UP; B9N1-UP; B9W1-UP; CBS1-UP; D9W1-UP; NJD1-UP; PJB1-UP; R9A1-UP; R9C1-UP; RMY1-UP							
2494116			P-UB-10	1-3/4	3	CTC-3769017	53.54
STEERING							
B9C1233-UP; R9A1-UP							
3896062			P-UB-10	2	3	CTC-3076273	51.07
B9C1-UP; B9N1-UP; B9W1-UP; D9W1-UP; NJD1-UP; R9C1-UP							
2625766			P-UB-10	2	3	CTC-3076273	51.07
B9C232-UP; B9N181-UP; R9A1-UP							
2558715			P-UB-10	2	3	CTC-3076273	51.07
CBS1-UP; PJB1-UP; RMY1-UP							
3382818			P-UB-10	2	3	CTC-3076273	51.07
WHEEL LEAN							
B9C232-UP; B9N181-UP; B9W1-UP; D9W1-UP; NJD1-UP; R9A1-UP; R9C1-UP							
2495299			P-UB-10	2	3-1/2	CTC-3769011	89.39
CBS1-UP; PJB1-UP; RMY1-UP							
3394488			P-UB-10	2	3-1/2	CTC-3769011	89.39
WORK TOOL LIFT							
B9C1-UP; B9N1-UP; B9W1-UP; D9W1-UP; R9A1-UP; R9C1-UP; RMY1-UP							
2173501			P-UB-10	1-3/4	3-1/2	CTC-2401881	98.74
MODEL 120M2							
ARTICULATION							
M921-UP; M9C1-UP; M9H1-UP; R9N1-UP; R9W1-UP							
3163308			P-UB-10	1-3/4	3	CTC-3769017	53.54
BLADE LIFT							
M921-UP; M9C1-UP; M9H1-UP; R9N1-UP; R9W1-UP							
3351973			P-UB-10	2	3	CTC-2384462	61.50
BLADE TIP							
M921-UP; M9C1-UP; M9H1-UP; R9N1-UP; R9W1-UP							
1317191			P-UB-10	1-1/2	2-3/4	CTC-2339204	85.83

CATERPILLAR®

REPLACEMENT KITS FOR CATERPILLAR® EQUIPMENT

Motor Graders							
APPLICATION	CYL #	Misc-Parts, Instructions, etc.	CODE	ROD	BORE	KIT #	List \$
MODEL 120M2							
BULLDOZER							
	M9H1-UP						
	3149338		P-UB-10	1-3/4	3-1/2	CTC-3260503	219.76
CENTERSHIFT							
	M921-UP; M9C1-UP; M9H1-UP; R9N1-UP; R9W1-UP						
	2621908		P-UB-10	2	3	CTC-2384462	61.50
LINK							
	R9W1-UP						
	2773811		P-UB-10	1-3/4	3-1/2	CTC-2401881	98.74
RIPPER							
	M9C1-UP; M9H1-UP; R9N1-UP; R9W1-UP						
	3262227		P-UB-10	50 mm	110 mm	CTC-4173698	127.05
SCARIFIER							
	M9C1-UP; M9H1-UP; R9N1-UP; R9W1-UP						
	1652510		P-UB-10	1-3/4	3	CTC-3769017	53.54
SIDESHIFT							
	M921-UP; M9C1-UP; M9H1-UP; R9N1-UP; R9W1-UP						
	2494116		P-UB-10	1-3/4	3	CTC-3769017	53.54
STEERING							
	M92104-UP; M9C392-UP; R9N1-UP						
	3896062		P-UB-10	2	3	CTC-3076273	51.07
	M921-UP; M9C1-UP; R9N1-UP						
	2558715		P-UB-10	2	3	CTC-3076273	51.07
	M9H1-UP; R9W1-UP						
	2625766		P-UB-10	2	3	CTC-3076273	51.07
	M9H317-UP; R9W1-UP						
	3844547		P-UB-10	2	3	CTC-3076273	51.07
WHEEL LEAN							
	M921-UP; M9H1-UP; R9N1-UP; R9W1-UP						
	2495299		P-UB-10	2	3-1/2	CTC-3769011	89.39
WORK TOOL LIFT							
	M9C1-UP; M9H1-UP; R9N1-UP; R9W1-UP						
	2173501		P-UB-10	1-3/4	3-1/2	CTC-2401881	98.74
MODEL 130G							
ARTICULATION							
	8J0546		P-UB-10	1-3/4	3	CTC-7X2791	121.52
	9T2453		P-UB-10	1-3/4	3	CTC-7X2825	73.65
	9T8784		P-UB-10	1-3/4	3	CTC-7X2825	73.65
BACKHOE STICK/BLADE SHIFT							
	8J0028		P-UB-10	1-3/4	3	CTC-7X2791	121.52
	9T2483		P-UB-10	1-3/4	3	CTC-7X2825	73.65
BLADE							
	3G5223		P-UB-10	2	3-1/4	CTC-7X2767	93.15
	8J6380		P-UB-10	2	3-1/4	CTC-7X2767	93.15
	9T2472		P-UB-10	2	3	CTC-7X2760	96.66
BLADE LIFT							
	3G5223		P-UB-10	2	3-1/4	CTC-7X2767	93.15
	9T2471		P-UB-10	1-3/4	3	CTC-7X2825	73.65
	9T2472		P-UB-10	2	3	CTC-7X2753	88.94
BLADE TIP							
	6E1549		P-UB-10	1-1/2	2-3/4	CTC-1361599	139.86
	8J0024		P-UB-10	1-1/2	2-3/4	CTC-7X2749	81.02
	9J3466		P-UB-10	1-1/2	2-3/4	CTC-7X2749	81.02
	9T2461		P-UB-10	1-1/2	2-3/4	CTC-1361599	139.86

REPLACEMENT KITS FOR CATERPILLAR® EQUIPMENT

Motor Graders							
APPLICATION	CYL #	Misc-Parts, Instructions, etc.	CODE	ROD	BORE	KIT #	List \$
MODEL 130G							
CENTER SHIFT							
	3G5224		P-UB-10	2	3-1/4	CTC-7X2767	93.15
	8J6367		P-UB-10	2	3-1/4	CTC-7X2767	93.15
	9T2549		P-UB-10	2	3	CTC-7X2760	96.66
CONVEYOR SWING							
	3G5224		P-UB-10	2	3-1/4	CTC-7X2767	93.15
	8J6367		P-UB-10	2	3-1/4	CTC-7X2767	93.15
	9T2549		P-UB-10	2	3	CTC-7X2760	96.66
LIFT							
	9T2471		P-UB-10	1-3/4	3	CTC-7X2825	73.65
PUMP							
	61M; 72V; 74V						
	8J0498					CTC-3G1708	221.27
RIPPER							
	1137754		P-UB-10	2	4	CTC-1328816	127.22
	8J1658		P-UB-10	2	4	CTC-1328816	127.22
SCARIFIER							
	3G1853		P-UB-10	1-3/4	3	CTC-7X2791	121.52
	8J7321		P-UB-10	1-1/2	3	CTC-7X2751	87.84
	9T2554		P-UB-10	1-3/4	3	CTC-7X2825	73.65
	9T6951		P-UB-10	1-3/4	3	CTC-7X2825	73.65
SIDESHIFT							
	1052094		P-UB-10	1-3/4	3	CTC-7X2825	73.65
	8J0028		P-UB-10	1-3/4	3	CTC-7X2791	121.52
	9T2483		P-UB-10	1-3/4	3	CTC-7X2825	73.65
STEERING LH							
	3G8070		P-UB-10	1-1/2	2-1/2	CTC-7X2739	77.55
	8J8820		P-UB-10	1-1/2	2-1/2	CTC-7X2739	77.55
	9T2395		P-UB-10	1-1/2	2-1/4	CTC-7X2826	55.89
STEERING RH							
	3G8069		P-UB-10	1-1/2	2-1/2	CTC-7X2739	77.55
	8J5538		P-UB-10	1-1/2	2-1/2	CTC-7X2739	77.55
	9T2393		P-UB-10	1-1/2	2-1/4	CTC-7X2826	55.89
WHEEL LEAN							
	1219242		P-UB-10	2	3-1/2	CTC-7X2783	141.24
	3G4752		P-UB-10	1-1/2	3-1/2	CTC-7X2752	130.85
	8J5539		P-UB-10	1-1/2	3-1/2	CTC-7X2752	130.85
	9T2520		P-UB-10	1-1/2	3-1/2	CTC-1327058	142.49
MODEL 135H							
ARTICULATION							
	6E1554		P-UB-10	1-3/4	3	CTC-7X2825	73.65
	6E4724		P-UB-10	2	3-1/2	CTC-7X2783	141.24
	9T8785		P-UB-10	1-3/4	3	CTC-7X2825	73.65
BLADE							
	1324926		P-UB-10	2	3	CTC-7X2760	96.66
BLADE TIP							
	6E1549		P-UB-10	1-1/2	2-3/4	CTC-1361599	139.86
CONVEYOR SWING							
	6E1754		P-UB-10	2	3	CTC-7X2760	96.66
SCARIFIER							
	9T2554		P-UB-10	1-3/4	3	CTC-7X2825	73.65
	9T6951		P-UB-10	1-3/4	3	CTC-7X2825	73.65
SIDESHIFT							
	1125575		P-UB-10	1-3/4	3	CTC-7X2825	73.65
STEERING LH							
	9T2395		P-UB-10	1-1/2	2-1/4	CTC-7X2826	55.89

CATERPILLAR®

REPLACEMENT KITS FOR CATERPILLAR® EQUIPMENT

Motor Graders							
APPLICATION	CYL #	Misc-Parts, Instructions, etc.	CODE	ROD	BORE	KIT #	List \$
MODEL 135H							
STEERING RH							
	9T2393		P-UB-10	1-1/2	2-1/4	CTC-7X2826	55.89
WHEEL LEAN							
	1219242		P-UB-10	2	3-1/2	CTC-7X2783	141.24
	9T2520		P-UB-10	1-1/2	3-1/2	CTC-1327058	142.49
MODEL 140G							
ARTICULATION							
	8J0546		P-UB-10	1-3/4	3	CTC-7X2791	121.52
	9T2453		P-UB-10	1-3/4	3	CTC-7X2825	73.65
	9T8784		P-UB-10	1-3/4	3	CTC-7X2825	73.65
BACKHOE STICK/BLADE SHIFT							
	8J0028		P-UB-10	1-3/4	3	CTC-7X2791	121.52
BLADE							
	3G5223		P-UB-10	2	3-1/4	CTC-7X2767	93.15
	8J6380		P-UB-10	2	3-1/4	CTC-7X2767	93.15
	9T2472		P-UB-10	2	3	CTC-7X2760	96.66
BLADE LIFT							
	9T2472		P-UB-10	2	3	CTC-7X2753	88.94
BLADE TIP							
	6E1549		P-UB-10	1-1/2	2-3/4	CTC-1361599	139.86
	8J0024		P-UB-10	1-1/2	2-3/4	CTC-7X2749	81.02
	9J3466		P-UB-10	1-1/2	2-3/4	CTC-7X2749	81.02
	9T2461		P-UB-10	1-1/2	2-3/4	CTC-1361599	139.86
CENTER SHIFT							
	3G5224		P-UB-10	2	3-1/4	CTC-7X2767	93.15
	8J6367		P-UB-10	2	3-1/4	CTC-7X2767	93.15
	9T2549		P-UB-10	2	3	CTC-7X2760	96.66
CONVEYOR SWING							
	3G5224		P-UB-10	2	3-1/4	CTC-7X2767	93.15
	8J6367		P-UB-10	2	3-1/4	CTC-7X2767	93.15
	9T2549		P-UB-10	2	3	CTC-7X2760	96.66
PUMP							
	61M; 72V; 74V						
	8J0498					CTC-3G1708	221.27
RIPPER							
	1137754		P-UB-10	2	4	CTC-1328816	127.22
	8J1658		P-UB-10	2	4	CTC-1328816	127.22
RIPPER LIFT							
	3G5189		P-UB-10	2-1/2	5	CTC-7X2658	230.88
SCARIFIER							
	3G1853		P-UB-10	1-3/4	3	CTC-7X2791	121.52
	8J7321		P-UB-10	1-1/2	3	CTC-7X2751	87.84
	9T2554		P-UB-10	1-3/4	3	CTC-7X2825	73.65
	9T6951		P-UB-10	1-3/4	3	CTC-7X2825	73.65
SIDESHIFT							
	1052094		P-UB-10	1-3/4	3	CTC-7X2825	73.65
	8J0028		P-UB-10	1-3/4	3	CTC-7X2791	121.52
	9T2483		P-UB-10	1-3/4	3	CTC-7X2825	73.65
STEERING LH							
	3G8070		P-UB-10	1-1/2	2-1/2	CTC-7X2739	77.55
	8J8820		P-UB-10	1-1/2	2-1/2	CTC-7X2739	77.55
	9T2395		P-UB-10	1-1/2	2-1/4	CTC-7X2826	55.89
STEERING RH							
	3G8069		P-UB-10	1-1/2	2-1/2	CTC-7X2739	77.55
	8J5538		P-UB-10	1-1/2	2-1/2	CTC-7X2739	77.55
	9T2393		P-UB-10	1-1/2	2-1/4	CTC-7X2826	55.89

REPLACEMENT KITS FOR CATERPILLAR® EQUIPMENT

Motor Graders							
APPLICATION	CYL #	Misc-Parts, Instructions, etc.	CODE	ROD	BORE	KIT #	List \$
MODEL 140G							
WHEEL LEAN							
	1219242		P-UB-10	2	3-1/2	CTC-7X2783	141.24
	3G4752		P-UB-10	1-1/2	3-1/2	CTC-7X2752	130.85
	4J4115		P-UB-10	1-1/2	4	CTC-7X2738	119.97
	8J5539		P-UB-10	1-1/2	3-1/2	CTC-7X2752	130.85
	9T2520		P-UB-10	1-1/2	3-1/2	CTC-1327058	142.49
MODEL 140H, 143H							
ARTICULATION							
	1376790		P-UB-10	1-7/8	3-1/4	CTC-3E3297	135.19
	1376792		P-UB-10	1-7/8	3-1/4	CTC-3E3297	135.19
	6E1560		P-UB-10	1-3/4	3	CTC-7X2825	73.65
	9T8784		P-UB-10	1-3/4	3	CTC-7X2825	73.65
BLADE							
	1324929		P-UB-10	2	3	CTC-7X2760	96.66
BLADE TIP							
	6E1549		P-UB-10	1-1/2	2-3/4	CTC-1361599	139.86
CONVEYOR SWING							
	6E1343		P-UB-10	2	3	CTC-7X2760	96.66
RIPPER							
	1137754		P-UB-10	2	4	CTC-1328816	127.22
SCARIFIER							
	9T2554		P-UB-10	1-3/4	3	CTC-7X2825	73.65
	9T6951		P-UB-10	1-3/4	3	CTC-7X2825	73.65
SIDESHIFT							
	1125575		P-UB-10	1-3/4	3	CTC-7X2825	73.65
STEERING LH							
	9T2395		P-UB-10	1-1/2	2-1/4	CTC-7X2826	55.89
STEERING RH							
	9T2393		P-UB-10	1-1/2	2-1/4	CTC-7X2826	55.89
WHEEL LEAN							
	1219242		P-UB-10	2	3-1/2	CTC-7X2783	141.24
	9T2520		P-UB-10	1-1/2	3-1/2	CTC-1327058	142.49
MODEL 140M							
ARTICULATION							
	B9D1-UP; B9G1-UP; B9M1-UP; D9G1-UP						
	2470096		P-UB-10	1-7/8	3-1/4	CTC-2465926	60.62
BLADE LIFT							
	B9D1-UP; B9G1-UP; B9M1-UP; D9G1-UP						
	2621900		P-UB-10	2	3	CTC-2384462	61.50
	B9D3500-UP; B9G1-UP; B9M1-UP; D9G1300-UP						
	3351974		P-UB-10	2	3	CTC-2384462	61.50
BLADE TIP							
	B9D1-UP; B9G1-UP; B9M1-UP; D9G1-UP						
	1317191		P-UB-10	1-1/2	2-3/4	CTC-2339204	85.83
BULLDOZER							
	B9D1-UP; D9G1-UP						
	3149338		P-UB-10	1-3/4	3-1/2	CTC-3260503	219.76
CENTERSHIFT							
	B9D1-UP; B9G1-UP; B9M1-UP; D9G1-UP						
	2621907		P-UB-10	2	3	CTC-2384462	61.50
LINK							
	B9G1-UP; B9M1-UP						
	2773811		P-UB-10	1-3/4	3-1/2	CTC-2401881	98.74
MAST							
	B9G1-UP; B9M1-UP						
	2558000		GK-I-U-12	2, 3	2-1/2, 3-1/2	CTC-2599096	264.49

CATERPILLAR®

REPLACEMENT KITS FOR CATERPILLAR® EQUIPMENT

Motor Graders							
APPLICATION	CYL #	Misc-Parts, Instructions, etc.	CODE	ROD	BORE	KIT #	List \$
MODEL 140M							
RIPPER							
B9D1-UP; B9G1-UP; B9M1-UP							
	3262227		P-UB-10	50 mm	110 mm	CTC-4173698	127.05
B9D1-UP; B9G1-UP; B9M1-UP; D9G1-UP							
	1137754		P-UB-10	2	4	CTC-2339205	59.01
SCARIFIER							
B9D1-UP; B9G1-UP; B9M1-UP; D9G1-UP							
	1652510		P-UB-10	1-3/4	3	CTC-3769017	53.54
SIDESHIFT							
B9D1-UP; B9G1-UP; B9M1-UP; D9G1-UP							
	2494116		P-UB-10	1-3/4	3	CTC-3769017	53.54
SNOW WING							
B9G1-UP; B9M1-UP							
	2773836		P-UB-10	1-3/4	3	CTC-2402016	56.96
STEERING							
B9D1488-UP; B9M551-UP							
	2558715		P-UB-10	2	3	CTC-3076273	51.07
B9D1-UP; B9G1-UP; B9M1-UP; D9G1-UP							
	2625766		P-UB-10	2	3	CTC-3076273	51.07
B9D4519-UP							
	3896062		P-UB-10	2	3	CTC-3076273	51.07
D9G1481-UP							
	3844547		P-UB-10	2	3	CTC-3076273	51.07
WHEEL LEAN							
B9D1488-UP; B9G1-UP; B9M551-UP; D9G1-UP							
	2495299		P-UB-10	2	3-1/2	CTC-3769011	89.39
WORK TOOL LIFT							
B9D1-UP; B9G1-UP; B9M1-UP; D9G1-UP							
	2173501		P-UB-10	1-3/4	3-1/2	CTC-2401881	98.74
MODEL 140M2							
ARTICULATION							
M9D1-UP; M9J1-UP; R9G1-UP; R9M1-UP							
	2470096		P-UB-10	1-7/8	3-1/4	CTC-2465926	60.62
BLADE LIFT							
M9D1-UP; M9J1-UP; R9G1-UP; R9M1-UP							
	3351974		P-UB-10	2	3	CTC-2384462	61.50
BLADE TIP							
M9D1-UP; M9J1-UP; R9G1-UP; R9M1-UP							
	1317191		P-UB-10	1-1/2	2-3/4	CTC-2339204	85.83
BULLDOZER							
M9D1-UP; M9J1-UP; R9G1-UP; R9M1-UP							
	3149338		P-UB-10	1-3/4	3-1/2	CTC-3260503	219.76
CENTERSHIFT							
M9D1-UP; M9J1-UP; R9G1-UP; R9M1-UP							
	2621907		P-UB-10	2	3	CTC-2384462	61.50
MAST							
R9G1-UP; R9M1-UP							
	2558000		GK-I-U-12	2, 3	2-1/2, 3-1/2	CTC-2599096	264.49
RIPPER							
M9D1-UP; M9J1-UP; R9G1-UP; R9M1-UP							
	3262227		P-UB-10	50 mm	110 mm	CTC-4173698	127.05
SCARIFIER							
M9D1-UP; M9J1-UP; R9G1-UP; R9M1-UP							
	1652510		P-UB-10	1-3/4	3	CTC-3769017	53.54

REPLACEMENT KITS FOR CATERPILLAR® EQUIPMENT

Motor Graders							
APPLICATION	CYL #	Misc-Parts, Instructions, etc.	CODE	ROD	BORE	KIT #	List \$
MODEL 140M2							
SIDESHIFT							
	M9D1-UP; M9J1-UP; R9G1-UP; R9M1-UP						
	2494116		P-UB-10	1-3/4	3	CTC-3769017	53.54
STEERING							
	M9D1695-UP; R9M1-UP						
	3896062		P-UB-10	2	3	CTC-3076273	51.07
	M9D1-UP; R9M1-UP						
	2558715		P-UB-10	2	3	CTC-3076273	51.07
	M9J1-UP; R9G1-UP						
	2625766		P-UB-10	2	3	CTC-3076273	51.07
	M9J845-UP; R9G1-UP						
	3844547		P-UB-10	2	3	CTC-3076273	51.07
WHEEL LEAN							
	M9D1-UP; M9J1-UP; R9G1-UP; R9M1-UP						
	2495299		P-UB-10	2	3-1/2	CTC-3769011	89.39
WORK TOOL LIFT							
	M9D1-UP; M9J1-UP; R9G1-UP; R9M1-UP						
	2173501		P-UB-10	1-3/4	3-1/2	CTC-2401881	98.74
MODEL 140M3							
ARTICULATION							
	N9D1-UP; N9G1-UP; N9J1-UP; N9M1-UP						
	2470096		P-UB-10	1-7/8	3-1/4	CTC-2465926	60.62
BLADE LIFT							
	N9D1-UP; N9G1-UP; N9J1-UP; N9M1-UP						
	3351974		P-UB-10	2	3	CTC-2384462	61.50
BLADE TIP							
	N9D1-UP; N9G1-UP; N9J1-UP; N9M1-UP						
	1317191		P-UB-10	1-1/2	2-3/4	CTC-2339204	85.83
CENTERSHIFT							
	N9D1-UP; N9G1-UP; N9J1-UP; N9M1-UP						
	2621907		P-UB-10	2	3	CTC-2384462	61.50
RIPPER							
	N9D1-UP; N9G1-UP; N9J1-UP; N9M1-UP						
	3262227		P-UB-10	50 mm	110 mm	CTC-4173698	127.05
SCARIFIER							
	N9D1-UP; N9G1-UP; N9J1-UP; N9M1-UP						
	1652510		P-UB-10	1-3/4	3	CTC-3769017	53.54
SIDESHIFT							
	N9D1-UP; N9G1-UP; N9J1-UP; N9M1-UP						
	2494116		P-UB-10	1-3/4	3	CTC-3769017	53.54
	N9G1-UP; N9M1-UP						
	5096993		P-UB-10	1-3/4	3	CTC-SK100214	95.75
STEERING							
	N9D1-UP; N9M1-UP						
	3896062		P-UB-10	2	3	CTC-4710161	120.68
	N9G1-UP; N9J1-UP						
	3844547		P-UB-10	2	3	CTC-4710161	120.68
WHEEL LEAN							
	N9D1-UP; N9G1-UP; N9J1-UP; N9M1-UP						
	2495299		P-UB-10	2	3-1/2	CTC-3769011	89.39
WORK TOOL SNOW WING							
	N9G1-UP; N9M1-UP						
	2773836		P-UB-10	1-3/4	3	CTC-2402016	56.96

CATERPILLAR®

REPLACEMENT KITS FOR CATERPILLAR® EQUIPMENT

Motor Graders							
APPLICATION	CYL #	Misc-Parts, Instructions, etc.	CODE	ROD	BORE	KIT #	List \$
MODEL 160H, 163H							
ARTICULATION							
	1376790		P-UB-10	1-7/8	3-1/4	CTC-3E3297	135.19
	1376792		P-UB-10	1-7/8	3-1/4	CTC-3E3297	135.19
	6E1560		P-UB-10	1-3/4	3	CTC-7X2825	73.65
	9T8784		P-UB-10	1-3/4	3	CTC-7X2825	73.65
BLADE							
	1324929		P-UB-10	2	3	CTC-7X2760	96.66
BLADE TIP							
	6E1549		P-UB-10	1-1/2	2-3/4	CTC-1361599	139.86
CONVEYOR SWING							
	6E1343		P-UB-10	2	3	CTC-7X2760	96.66
RIPPER							
	1137754		P-UB-10	2	4	CTC-1328816	127.22
SCARIFIER							
	9T2554		P-UB-10	1-3/4	3	CTC-7X2825	73.65
	9T6951		P-UB-10	1-3/4	3	CTC-7X2825	73.65
SIDESHIFT							
	1125575		P-UB-10	1-3/4	3	CTC-7X2825	73.65
STEERING LH							
	9T2395		P-UB-10	1-1/2	2-1/4	CTC-7X2826	55.89
STEERING RH							
	9T2393		P-UB-10	1-1/2	2-1/4	CTC-7X2826	55.89
WHEEL LEAN							
	1219242		P-UB-10	2	3-1/2	CTC-7X2783	141.24
	9T2520		P-UB-10	1-1/2	3-1/2	CTC-1327058	142.49
Off-Highway Trucks							
APPLICATION	CYL #	Misc-Parts, Instructions, etc.	CODE	ROD	BORE	KIT #	List \$
MODEL 768C							
HOIST							
	9J4149		I-SP-10	4,6-1/2	5-3/4	CTC-8T4772	431.41
STEERING							
			P-UB-10	2-3/8	3-3/4	CTC-2578422	72.53
			P-UB-10	2	3	CTC-2937596	54.92
SUSPENSION							
	1162836		P-U-3	7	8-1/2	CTC-1417296	374.87
SUSPENSION FRONT							
	79S1; 02X1-		P-UB-3	7	8	CTC-1137475	627.24
SUSPENSION REAR							
			P-U-3	7	8-1/2	CTC-2959886	377.03
	5J6572		I-SP-1	7	8-1/2	CTC-5J6572K	312.00
MODEL 769C							
HOIST							
	4T4168		I-SP-10	4,6-1/2	5-3/4	CTC-8T4772	431.41
	9J4149		I-SP-10	4,6-1/2	5-3/4	CTC-8T4772	431.41
STEERING							
			P-UB-10	2-3/8	3-3/4	CTC-2578422	72.53
			P-UB-10	2	3	CTC-2937596	54.92
SUSPENSION							
	1162836		P-U-3	7	8-1/2	CTC-1417296	374.87
SUSPENSION FRONT							
			P-UB-3	7	8	CTC-2950148	899.12
	01X2920-; 3BJ1-; 5TR; 6JR; 5SS; 6YS; 9XS; BCA; BBB		P-UB-3	7	8	CTC-1137475	627.24

CATERPILLAR®

REPLACEMENT KITS FOR CATERPILLAR® EQUIPMENT

Off-Highway Trucks							
APPLICATION	CYL #	Misc-Parts, Instructions, etc.	CODE	ROD	BORE	KIT #	List \$
MODEL 769C							
SUSPENSION REAR							
			P-U-3	7	8-1/2	CTC-2959886	377.03
	5J6572		I-SP-1	7	8-1/2	CTC-5J6572K	312.00
	1X1-1X3271						
	3G0688		I-SP-1	7	8-1/2	CTC-5J6572K	312.00
	1X3272-						
	3G0688		I-SP-1	7	8-1/2	CTC-3G0688K	312.00
MODEL 769D							
HOIST							
	4T4168		I-SP-10	4,6-1/2	5-3/4	CTC-8T4772	431.41
	9J4149		I-SP-10	4,6-1/2	5-3/4	CTC-8T4772	431.41
STEERING							
			P-UB-10	2	3	CTC-2937596	54.92
	1100532		P-UB-10	2	3	CTC-7X2760	96.66
	9J1287		P-UB-10	2-3/8	3-3/4	CTC-7X2808	110.61
SUSPENSION							
	1162836		P-U-3	7	8-1/2	CTC-1417296	374.87
SUSPENSION FRONT							
	01X2920-; 3BJ1-; 5TR; 6JR; 5SS; 6YS; 9XS; BCA; BBB						
			P-UB-3	7	8	CTC-1137475	627.24
SUSPENSION REAR							
			P-U-3	7	8-1/2	CTC-2959886	377.03
UNSPECIFIED APPLICATION							
	1303921		P-UB-3	7	8	CTC-1137475	627.24
MODEL 770							
STEERING							
			P-UB-10	2	3	CTC-2937596	54.92
SUSPENSION REAR							
	BZZ1-UP						
	3945681		P-UB-1	7	8-1/2	CTC-SK100097	398.75
MODEL 771C							
HOIST							
	4T4168		I-SP-10	4,6-1/2	5-3/4	CTC-8T4772	431.41
	9J4149		I-SP-10	4,6-1/2	5-3/4	CTC-8T4772	431.41
STEERING							
			P-UB-10	2	3	CTC-2937596	54.92
	9J1287		P-UB-10	2-3/8	3-3/4	CTC-7X2808	110.61
SUSPENSION							
	1162836		P-U-3	7	8-1/2	CTC-1417296	374.87
SUSPENSION FRONT							
			P-UB-3	7	8	CTC-2950148	899.12
	01X2920-; 3BJ1-; 5TR; 6JR; 5SS; 6YS; 9XS; BCA; BBB						
			P-UB-3	7	8	CTC-1137475	627.24
SUSPENSION REAR							
			P-U-3	7	8-1/2	CTC-2959886	377.03
UNSPECIFIED APPLICATION							
	9J5476		P-UB-3	7	8	CTC-1137475	627.24
MODEL 771D							
HOIST							
	4T4168		I-SP-10	4,6-1/2	5-3/4	CTC-8T4772	431.41
	9J4149		I-SP-10	4,6-1/2	5-3/4	CTC-8T4772	431.41
STEERING							
			P-UB-10	2	3	CTC-2937596	54.92
	1100532		P-UB-10	2	3	CTC-7X2760	96.66
	9J1287		P-UB-10	2-3/8	3-3/4	CTC-7X2808	110.61
SUSPENSION							
	1162836		P-U-3	7	8-1/2	CTC-1417296	374.87

REPLACEMENT KITS FOR CATERPILLAR® EQUIPMENT

Off-Highway Trucks							
APPLICATION	CYL #	Misc-Parts, Instructions, etc.	CODE	ROD	BORE	KIT #	List \$
MODEL 771D							
SUSPENSION FRONT							
	01X2920-; 3BJ1-; 5TR; 6JR; 5SS; 6YS; 9XS; BCA; BBB						
			P-UB-3	7	8	CTC-1137475	627.24
SUSPENSION REAR							
			P-U-3	7	8-1/2	CTC-2959886	377.03
MODEL 772B							
DOOR							
	3G4640		P-UB-10	2-1/2	6	CTC-7X2669	296.27
	9J8157		P-UB-10	2-1/2	6	CTC-7X2836	204.35
HOIST							
	9J2017		I-SP-10	5,7-1/2	8-1/4	CTC-8T9042	624.28
	9T3122		I-SP-10	5,7-1/2	8-1/4	CTC-8T9042	624.28
STEERING							
			P-UB-10	2-3/8	4	CTC-2418925	77.46
			P-UB-10	2	3	CTC-2937596	54.92
SUSPENSION							
	8J2322		P-UB-3	7	8	CTC-1137475	627.24
SUSPENSION FRONT							
			P-UB-3	7	8	CTC-2950148	899.12
	1U4777		P-UB-3	7	8	CTC-1137478	899.12
	7J3480		P-UB-3	7	8	CTC-1137475	627.24
	64W168-						
			P-UB-3	7	8	CTC-1137478	899.12
SUSPENSION REAR							
			P-U-3	7	8-1/2	CTC-2959886	377.03
UNSPECIFIED APPLICATION							
	1163092		P-UB-3	7	8	CTC-1137478	899.12
MODEL 772E							
SUSPENSION REAR							
			P-U-3	7	8-1/2	CTC-2959886	377.03
MODEL 773B							
DOOR							
	3G4640		P-UB-10	2-1/2	6	CTC-7X2669	296.27
HOIST							
			I-SP-10	5,7-1/2	6-1/2,8-1/4	CTC-3126388	658.82
	9J2017		I-SP-10	5,7-1/2	8-1/4	CTC-8T9042	624.28
	9T3122		I-SP-10	5,7-1/2	8-1/4	CTC-8T9042	624.28
STEERING RH							
	63G1-; 63W1-						
	7J7686		P-UB-10	2-3/8	4	CTC-8T1389	65.32
SUSPENSION							
	1162837		P-U-3	7	8-1/2	CTC-1417296	374.87
SUSPENSION FRONT							
			P-UB-3	7	8	CTC-2950148	899.12
	63W1271-; 7XJ1-; 6KR; 7ER; 7CS; 8AS						
			P-UB-3	7	8	CTC-1137478	899.12
SUSPENSION REAR							
	9T6082		P-U-3	7	8-1/2	CTC-1417296	374.87
	63G; 63W1-63W1724						
	8J9332		I-SP-1	7	8-1/2	CTC-5J6572K	312.00
	63W1725-						
	8J9332		I-SP-1	7	8-1/2	CTC-3G0688K	312.00
UNSPECIFIED APPLICATION							
	1163092		P-UB-3	7	8	CTC-1137478	899.12

REPLACEMENT KITS FOR CATERPILLAR® EQUIPMENT

Off-Highway Trucks							
APPLICATION	CYL #	Misc-Parts, Instructions, etc.	CODE	ROD	BORE	KIT #	List \$
MODEL 773D							
HOIST							
			I-SP-10	5,7-1/2	6-1/2,8-1/4	CTC-3126388	658.82
	1455155		I-SP-10	5,7-1/2	8-1/4	CTC-8T9042	624.28
	9J2017		I-SP-10	5,7-1/2	8-1/4	CTC-8T9042	624.28
STEERING RH							
	7J7686		P-UB-10	2-3/8	4	CTC-8T1389	65.32
SUSPENSION							
	1162837		P-U-3	7	8-1/2	CTC-1417296	374.87
SUSPENSION FRONT							
			P-UB-3	7	8	CTC-2950148	899.12
	1163092		P-UB-3	7	8	CTC-1137478	899.12
	1U4777		P-UB-3	7	8	CTC-1137478	899.12
	63W1271-; 7XJ1-; 6KR; 7ER; 7CS; 8AS						
			P-UB-3	7	8	CTC-1137478	899.12
SUSPENSION REAR							
	9T6082		P-U-3	7	8-1/2	CTC-1417296	374.87
MODEL 773E							
HOIST							
			I-SP-10	5,7-1/2	6-1/2,8-1/4	CTC-3126388	658.82
STEERING							
			P-UB-10	2-1/2	3-1/2	CTC-2949583	96.23
SUSPENSION REAR							
			P-UB-1	7	8-1/2	CTC-2976848	390.42
MODEL 773F							
HOIST							
	EED1-400						
	1455155		I-U-10	5, 7-1/2	6-1/2, 8-1/4	CTC-4494753	595.79
	EED401-862						
	2960738		I-SP-10	5, 7-1/2	6-1/2, 8-1/4	CTC-SK100020	580.60
	EED863-UP						
	2960738		I-U-10	5, 7-1/2	6-1/2, 8-1/4	CTC-4494753	595.79
	EXD1-UP						
	2960738		I-U-10	5, 7-1/2	6-1/2, 8-1/4	CTC-4494753	595.79
STEERING							
	EED1-UP; EXD1-UP						
	1053357		P-UB-10	2-1/2	3-1/2	CTC-2949583	96.23
SUSPENSION FRONT							
	EED1-400						
	2645784		P-U-1	7	8	CTC-2976847	1312.35
	EED401-UP; EXC1-UP						
	2960736		P-U-1	7	8	CTC-2976847	1312.35
SUSPENSION REAR							
			P-UB-1	7	8-1/2	CTC-2976848	390.42
	EED1-400						
	2645786		P-UB-1	7	8-1/2	CTC-2976848	390.42
	EED401-UP; EXD1-UP						
	2960737		P-UB-1	7	8-1/2	CTC-2976848	390.42
MODEL 773G							
HOIST							
	JWS1-UP; MWH1-UP						
	1455155		I-U-10	5, 7-1/2	6-1/2, 8-1/4	CTC-3367372	595.79
	JWS1-UP; MWH1-UP; T5S1-UP; T5T1-UP						
	2960738		I-U-10	5, 7-1/2	6-1/2, 8-1/4	CTC-3367372	595.79

CATERPILLAR®

REPLACEMENT KITS FOR CATERPILLAR® EQUIPMENT

Off-Highway Trucks							
APPLICATION	CYL #	Misc-Parts, Instructions, etc.	CODE	ROD	BORE	KIT #	List \$
MODEL 773G							
STEERING							
JWS1-UP; MWH1-UP; T5S1-UP; T5T1-UP							
1053357			P-UB-10	2-1/2	3-1/2	CTC-2949583	96.23
3348695			P-UB-10	2-1/2	3-1/2	CTC-SK100061	116.46
SUSPENSION FRONT							
JWS1-UP; MWH1-UP; T5S1-UP; T5T1-UP							
3344225			P-U-1	7	8	CTC-SK100060	941.00
SUSPENSION REAR							
JWS1-UP; MWH1-UP; T5S1-UP; T5T1-UP							
3344228			P-UB-1	7	8-1/2	CTC-3626460	328.56
MODEL 775							
HOIST							
9J2017			I-SP-10	5,7-1/2	8-1/4	CTC-8T9042	624.28
9T3122			I-SP-10	5,7-1/2	8-1/4	CTC-8T9042	624.28
STEERING RH							
7J7686			P-UB-10	2-3/8	4	CTC-8T1389	65.32
SUSPENSION							
1162837			P-U-3	7	8-1/2	CTC-1417296	374.87
SUSPENSION REAR							
9T6082			P-U-3	7	8-1/2	CTC-1417296	374.87
UNSPECIFIED APPLICATION							
1163092			P-UB-3	7	8	CTC-1137478	899.12
1U4777			P-UB-3	7	8	CTC-1137478	899.12
MODEL 775B							
HOIST							
			I-SP-10	5,7-1/2	6-1/2,8-1/4	CTC-3126388	658.82
SUSPENSION							
1U4777			P-UB-3	7	8	CTC-1137478	899.12
SUSPENSION FRONT							
			P-UB-3	7	8	CTC-2950148	899.12
63W1271-; 7XJ1-; 6KR; 7ER; 7CS; 8AS							
			P-UB-3	7	8	CTC-1137478	899.12
SUSPENSION REAR							
			P-U-3	7	8-1/2	CTC-2959886	377.03
MODEL 775D							
HOIST							
1455155			I-SP-10	5,7-1/2	8-1/4	CTC-8T9042	624.28
9J2017			I-SP-10	5,7-1/2	8-1/4	CTC-8T9042	624.28
9T3122			I-SP-10	5,7-1/2	8-1/4	CTC-8T9042	624.28
STEERING RH							
7J7686			P-UB-10	2-3/8	4	CTC-8T1389	65.32
SUSPENSION							
1162837			P-U-3	7	8-1/2	CTC-1417296	374.87
SUSPENSION FRONT							
			P-UB-3	7	8	CTC-2950148	899.12
63W1271-; 7XJ1-; 6KR; 7ER; 7CS; 8AS							
			P-UB-3	7	8	CTC-1137478	899.12
SUSPENSION REAR							
			P-U-3	7	8-1/2	CTC-2959886	377.03
UNSPECIFIED APPLICATION							
1163092			P-UB-3	7	8	CTC-1137478	899.12
1U4777			P-UB-3	7	8	CTC-1137478	899.12
9T6082			P-U-3	7	8-1/2	CTC-1417296	374.87
MODEL 775E							
SUSPENSION FRONT							
			P-UB-3	7	8	CTC-2950148	899.12

CATERPILLAR®

REPLACEMENT KITS FOR CATERPILLAR® EQUIPMENT

Off-Highway Trucks							
APPLICATION	CYL #	Misc-Parts, Instructions, etc.	CODE	ROD	BORE	KIT #	List \$
MODEL 775E							
SUSPENSION FRONT							
	BEC321-471		P-U-1	7	8	CTC-2976847	1312.35
MODEL 775F							
HOIST							
	DLS1-396						
	1455155		I-U-10	5, 7-1/2	6-1/2, 8-1/4	CTC-3367372	595.79
	DLS397-UP; EYG1-UP						
	2960738		I-U-10	5, 7-1/2	6-1/2, 8-1/4	CTC-3367372	595.79
STEERING							
	DLS1-UP; EYG1-UP						
	1053357		P-UB-10	2-1/2	3-1/2	CTC-2949583	96.23
	4172644		P-UB-10	2-1/2	3-1/2	CTC-SK100095	120.72
SUSPENSION FRONT							
	DLS1-396						
	2645784		P-U-1	7	8	CTC-2976847	1312.35
	DLS397-UP; EYG1-UP						
	2960736		P-U-1	7	8	CTC-2976847	1312.35
SUSPENSION REAR							
	DLS1-396						
	2645786		P-UB-1	7	8-1/2	CTC-2976848	390.42
	DLS397-UP; EYG1-UP						
	2960737		P-UB-1	7	8-1/2	CTC-2976848	390.42
MODEL 775G							
HOIST							
	MJS1-UP; RFM1-UP						
	1455155		I-U-10	5, 7-1/2	6-1/2, 8-1/4	CTC-3367372	595.79
	MJS1-UP; RFM1-UP; T5F1-UP; T5W1-UP						
	2960738		I-U-10	5, 7-1/2	6-1/2, 8-1/4	CTC-3367372	595.79
STEERING							
	MJS1-UP; RFM1-UP						
	4172644		P-UB-10	2-1/2	3-1/2	CTC-SK100095	120.72
	MJS1-UP; RFM1-UP; T5F1-UP; T5W1-UP						
	1053357		P-UB-10	2-1/2	3-1/2	CTC-2949583	96.23
	3348695		P-UB-10	2-1/2	3-1/2	CTC-4208531	116.46
SUSPENSION FRONT							
	MJS1-384; RFM1-617; T5F1-101; T5W1-110						
	3344225		P-U-1	7	8	CTC-4206848	671.05
	MJS385-UP; RFM618-UP; T5F102-UP; T5W111-UP						
	4415252		P-U-1	7	8	CTC-4206848	671.05
SUSPENSION REAR							
	MJS1-UP; RFM1-UP; T5W1-UP						
	3344228		P-UB-1	7	8-1/2	CTC-3626460	328.56
MODEL 776C, 776D							
STEERING							
	8J9912		P-UB-10	2-3/8	4	CTC-8T1389	65.32
SUSPENSION REAR							
			P-UB-1	9	10-1/2	CTC-2959885	361.84
	8J8865		I,P-U-13	9	10-1/2	CTC-1137482	489.69
MODEL 777C							
HOIST							
	8J8924		I-UB-10	5-1/2	9-1/2	CTC-8T1543	631.33
	4XJ1-UP						
	1711232		I-U-10	5-1/2,8-1/2	7-1/2,9-1/2	CTC-3365288	543.08
STEERING							
	8J9912		P-UB-10	2-3/8	4	CTC-8T1389	65.32

CATERPILLAR®

REPLACEMENT KITS FOR CATERPILLAR® EQUIPMENT

Off-Highway Trucks							
APPLICATION	CYL #	Misc-Parts, Instructions, etc.	CODE	ROD	BORE	KIT #	List \$
MODEL 777C							
SUSPENSION FRONT							
	4T4756		I,P-U-3	9	10-3/4	CTC-1137463	2350.74
SUSPENSION REAR							
			P-UB-1	9	10-1/2	CTC-2959885	361.84
	8J8865		I,P-U-13	9	10-1/2	CTC-1137482	489.69
MODEL 777D							
HOIST							
	8J8924		I-UB-10	5-1/2	9-1/2	CTC-8T1543	631.33
	2YW1-UP; 3PR1-UP; AGC410-UP; AGY1-UP; FKR1-UP						
	1711232		I-U-10	5-1/2,8-1/2	7-1/2,9-1/2	CTC-3365288	543.08
	3PR1-UP; AGC1-409; AGY1-UP						
	1804327		I-SP-10	5-1/2,8-1/2	7-1/2,9-1/2	CTC-4219022	291.69
STEERING							
	1052440		I-UB-10	2-1/2	3-1/2	CTC-3E3299	183.90
	8J9912		P-UB-10	2-3/8	4	CTC-8T1389	65.32
SUSPENSION FRONT							
	4T4756		I,P-U-3	9	10-3/4	CTC-1137463	2350.74
SUSPENSION REAR							
			P-UB-1	9	10-1/2	CTC-2959885	361.84
	8J8865		I,P-U-13	9	10-1/2	CTC-1137482	489.69
MODEL 777F							
HOIST							
	JRP1-UP						
	1711232		I-U-10	5-1/2,8-1/2	7-1/2,9-1/2	CTC-3365288	543.08
STEERING							
			P-UB-10	2-1/2	3-1/2	CTC-2949583	96.23
SUSPENSION FRONT							
			P-UB-1	9	10-3/4	CTC-3087849	2056.88
SUSPENSION REAR							
			P-U-1	9	10-1/2	CTC-2976849	537.95
MODEL 777G							
HOIST							
	RDR1-UP; T4Y1-UP; T5A1-UP; TNM1-UP						
	2960608		I-U-10	5-1/2,8-1/2	7-1/2,9-1/2	CTC-3365288	543.08
STEERING LH							
	RDR1-UP; T4Y1-UP; T5A1-UP; TNM1-UP						
	3348703		P-UB-10	2-1/2	3-1/2	CTC-SK100023	238.36
STEERING RH							
	RDR1-UP; T4Y1-UP; T5A1-UP; TNM1-UP						
	3822003		P-UB-10	2-1/2	3-1/2	CTC-4389145	211.07
SUSPENSION FRONT							
	RDR1-UP; T4Y1-UP; T5A1-UP; TNM1-UP						
	3356351		P-UB-1	9	10-3/4	CTC-SK100021	1583.84
	3356352		P-UB-1	9	10-3/4	CTC-SK100021	1583.84
SUSPENSION REAR							
	RDR1-UP; T4Y1-UP; T5A1-UP; TNM1-UP						
	3356354		P-UB-1	9	10-1/2	CTC-SK100022	524.23
MODEL 783B							
HOIST							
		Includes extra parts	I-SP-3,10	7-1/4, 10-1/2	9-1/4, 11-1/2	CTC-0715438	1009.71
			I-SP-3,10	7-1/4, 10-1/2	9-1/4, 11-1/2	CTC-8T4939	1060.54
STEERING							
			P-UB-10	2-1/2	5	CTC-1304012	247.74
		Serial# 8GB1-316	P-UB-10	2-1/2	5	CTC-7X2658	230.88

REPLACEMENT KITS FOR CATERPILLAR® EQUIPMENT

Off-Highway Trucks							
APPLICATION	CYL #	Misc-Parts, Instructions, etc.	CODE	ROD	BORE	KIT #	List \$
MODEL 783B							
SUSPENSION FRONT							
		Insert wiper kit	I-U-3	11	13-1/8	CTC-0711436	1647.06
		Press-in wiper kit	P-U-3	11	13-1/8	CTC-0712436	1760.72
		Combination kit	I,P-U-3	11	13-1/8	CTC-1137476	2200.97
UNSPECIFIED APPLICATION							
	4T5931		I-SP-3,10	7-1/4, 10-1/2	9-1/4, 11-1/2	CTC-8T4939	1060.54
MODEL 784B, 784C							
STEERING							
	6E5857		P-UB-10	2-1/2	5	CTC-1304012	247.74
MODEL 785, 785B, 785C							
HOIST							
		Includes extra parts	I-SP-3,10	7-1/4, 10-1/2	9-1/4, 11-1/2	CTC-0715438	1009.71
			I-SP-3,10	7-1/4, 10-1/2	9-1/4, 11-1/2	CTC-8T4939	1060.54
STEERING							
			P-UB-10	2-1/2	5	CTC-1304012	247.74
			P-UB-10	2-1/2	5	CTC-7X2658	230.88
SUSPENSION FRONT							
		Insert wiper kit	I-U-3	11	13-1/8	CTC-0711436	1647.06
		Press-in wiper kit	P-U-3	11	13-1/8	CTC-0712436	1760.72
		Combination kit	I,P-U-3	11	13-1/8	CTC-1137476	2200.97
UNSPECIFIED APPLICATION							
	4T5931	785C	I-SP-3,10	7-1/4, 10-1/2	9-1/4, 11-1/2	CTC-8T4939	1060.54
MODEL 785C							
HOIST							
	1HW1-UP; 5AZ1-UP						
	4T5931		I-U-10	7-1/4,10-1/2	9-1/4,11-1/2	CTC-3573798	1036.19
STEERING							
	APX1-UP; 1HW1-UP; 5AZ1-UP						
	1U3182	1.55" wide wear ring, rod bearing incl	P-UB-10	2-1/2	5	CTC-2422542	110.85
	1U3182	1.11" wide wear ring, rod bearing incl	P-UB-10	2-1/2	5	CTC-2430384	111.22
	1U3182	1.55" wide wear ring	P-UB-10	2-1/2	5	CTC-2430386	96.66
SUSPENSION FRONT							
	1HW1-UP; 5AZ1-UP						
	1U4605	Insert Wiper	I-U-1	11	13-1/8	CTC-3367368	1717.31
	APX1-367; 1HW1-UP; 5AZ1-399						
	1U4605	Press-in Wiper	P-U-1	11	13-1/8	CTC-3408491	1796.88
	APX368-UP; 5AZ400-UP						
	2299872		P-U-1	11	13-1/8	CTC-3408491	1796.88
	APX605-UP; APX1618-UP; 5AZ428-UP						
	3117785		P-U-1	11	13-1/8	CTC-3408491	1796.88
SUSPENSION REAR							
	APX1-367; 1HW1-UP; 5AZ1-399						
	1072860		P-U-1	11	12-1/2	CTC-3406080	472.47
	APX1618-UP; 5AZ428-UP						
	3117788		P-U-1	11	12-1/2	CTC-3406080	472.47
	APX368-UP; 5AZ400-UP						
	2299890		P-U-1	11	12-1/2	CTC-3406080	472.47
MODEL 785D							
HOIST							
	DMC1-142; MSY1-188						
	4T5931		I-U-10	7-1/4,10-1/2	9-1/4,11-1/2	CTC-3573798	1036.19
	DMC143-UP; MSY187-UP						
	3117786		I-U-10	7-1/4,10-1/2	9-1/4,11-1/2	CTC-4220025	1030.29

REPLACEMENT KITS FOR CATERPILLAR® EQUIPMENT

Off-Highway Trucks							
APPLICATION	CYL #	Misc-Parts, Instructions, etc.	CODE	ROD	BORE	KIT #	List \$
MODEL 785D							
STEERING							
	DMC1-UP; MSY1-UP						
1U3182			P-UB-10	2-1/2	5	CTC-2422542	110.85
1U3182			P-UB-10	2-1/2	5	CTC-2430384	111.22
1U3182			P-UB-10	2-1/2	5	CTC-2430386	96.66
SUSPENSION FRONT							
	DMC1-UP; MSY1-UP						
2299872			P-U-1	11	13-1/8	CTC-3408491	1796.88
3117784			P-U-1	11	13-1/8	CTC-3408491	1796.88
3117785			P-U-1	11	13-1/8	CTC-3408491	1796.88
SUSPENSION REAR							
	DMC1-UP; MSY1-UP						
3117788			P-U-1	11	12-1/2	CTC-3406080	472.47
3117789			P-U-1	11	12-1/2	CTC-3406080	472.47
MODEL 786							
STEERING							
7J9718			P-UB-10	2-1/4	5	CTC-7X2729	222.67
7J9984			P-UB-10	2-1/4	5	CTC-7X2729	222.67
TILT LH							
7J9762			P-UB-10	2-3/4	6-1/2	CTC-7X2689	220.86
TILT RH							
7J9761			P-UB-10	2-3/4	6-1/2	CTC-7X2689	220.86
MODEL 787B							
HOIST							
9T2807	spring loaded rod u-seals		I-U-10	7-1/4, 11	9-1/2, 12-1/4	CTC-3541312	1220.90
9T2807	flat cross-section rod seals		I-SP-3,10	7-1/4, 11	9-1/2, 12-1/4	CTC-8C5788	1449.71
STEERING							
4T6797			P-UB-10	2-3/4	6	CTC-1363337	106.93
SUSPENSION							
1061801			I,P-U-3	12-1/2	14-1/4	CTC-1137480	918.76
MODEL 789, 789B, 789C							
HOIST							
9T2807	spring loaded rod u-seals		I-U-10	7-1/4, 11	9-1/2, 12-1/4	CTC-3541312	1220.90
9T2807	flat cross-section rod seals		I-SP-3,10	7-1/4, 11	9-1/2, 12-1/4	CTC-8C5788	1449.71
STEERING							
			P-UB-10	2-3/4	6	CTC-2440953	140.53
SUSPENSION FRONT							
	Insert wiper kit		I-U-3	12-1/2	15-1/8	CTC-0717440	2380.98
	Press-in wiper kit		P-U-3	12-1/2	15-1/8	CTC-0718440	2380.66
	Combination kit		I,P-U-3	12-1/2	15-1/8	CTC-1131073	2677.25
SUSPENSION REAR							
	Head# 4T4761		I-U-3	12-1/2	14-1/4	CTC-0719441	1002.96
	Head# 1060904, 1061807, 1591977		P-U-3	12-1/2	14-1/4	CTC-0720441	824.14
	Head# 4T4761, 1060904, 1061807, 1591977		I,P-U-3	12-1/2	14-1/4	CTC-1137480	918.76
UNSPECIFIED APPLICATION							
1061801	789C		I,P-U-3	12-1/2	14-1/4	CTC-1137480	918.76
4T4844	789B, 789C		I,P-U-3	12-1/2	14-1/4	CTC-1137480	918.76
MODEL 789D							
HOIST							
	SHH1-UP; SPD1-UP						
9T2807	spring loaded rod u-seals		I-U-10	7-1/4, 11	9-1/2, 12-1/4	CTC-3541312	1220.90
9T2807	flat cross-section rod seals		I-SP-3,10	7-1/4, 11	9-1/2, 12-1/4	CTC-8C5788	1449.71
STEERING							
	SHH1-UP; SPD1-UP						
4T6797			P-UB-10	2-3/4	6	CTC-SK100064	260.18

REPLACEMENT KITS FOR CATERPILLAR® EQUIPMENT

Off-Highway Trucks							
APPLICATION	CYL #	Misc-Parts, Instructions, etc.	CODE	ROD	BORE	KIT #	List \$
MODEL 789D							
SUSPENSION FRONT							
SHH1-306; SPD1-308							
	4T5182		P-SP,U-1	12-1/2	15-1/8	CTC-SK100062	2384.80
SHH1-UP; SPD1-UP							
	3477423		P-SP,U-1	12-1/2	15-1/8	CTC-SK100063	2410.33
	3524023		P-SP,U-1	12-1/2	15-1/8	CTC-SK100063	2410.33
	6E1921		P-SP,U-1	12-1/2	15-1/8	CTC-SK100062	2384.80
SUSPENSION REAR							
SHH1-UP; SPD1-UP							
	1061801		P-U-1	12-1/2	14-1/4	CTC-3802685	479.87
	2292346		P-U-1	12-1/2	14-1/4	CTC-3802685	479.87
MODEL 793, 793B							
HOIST							
			I-SP-10, 3	8-3/4, 12-1/2	11, 13-3/4	CTC-1125343	1183.13
STEERING							
			P-UB-10	2-3/4	5-1/2	CTC-2601518	168.74
	9T8912		P-UB-10	2-3/4	5-1/2	CTC-3234199	252.58
SUSPENSION FRONT							
		Combination kit	I,P-U-3	13-1/2	16-1/8	CTC-1137472	2645.47
		Insert wiper kit	I-U-3	13-1/2	16-1/8	CTC-7751023	2329.44
		Press-in wiper kit	P-U-3	13-1/2	16-1/8	CTC-7761023	2293.33
SUSPENSION REAR							
		Head# 4T4761	I-U-3	12-1/2	14-1/4	CTC-0719441	1002.96
		Head# 1060904, 1061807, 1591977	P-U-3	12-1/2	14-1/4	CTC-0720441	824.14
		Head# 1946859; kit includes rod wear ring	P-U-3	12-1/2	14-1/4	CTC-0778441	2256.10
		Head# 4T4761, 1060904, 1061807, 1591977	I,P-U-3	12-1/2	14-1/4	CTC-1137480	918.76
MODEL 793C							
HOIST							
			I-SP-3,10	7-3/4, 11-1/2	10, 12-3/4	CTC-1531282	939.12
STEERING							
			P-UB-10	2-3/4	5-1/2	CTC-2601518	168.74
SUSPENSION FRONT							
		Combination kit	I,P-U-3	13-1/2	16-1/8	CTC-1137472	2645.47
		Insert wiper kit	I-U-3	13-1/2	16-1/8	CTC-7751023	2329.44
		Press-in wiper kit	P-U-3	13-1/2	16-1/8	CTC-7761023	2293.33
SUSPENSION REAR							
		Head# 4T4761	I-U-3	12-1/2	14-1/4	CTC-0719441	1002.96
		Head# 1060904, 1061807, 1591977	P-U-3	12-1/2	14-1/4	CTC-0720441	824.14
		Head# 4T4761, 1060904, 1061807, 1591977	I,P-U-3	12-1/2	14-1/4	CTC-1137480	918.76
UNSPECIFIED APPLICATION							
	6E1101		I,P-U-3	12-1/2	14-1/4	CTC-1137480	918.76
MODEL 793D							
HOIST							
		FDB1-UP					
	1212071		I-SP-3,10	7-3/4, 11-1/2	10, 12-3/4	CTC-1531282	939.12
STEERING							
		FDB155-UP					
	9T8912		P-UB-10	2-3/4	5-1/2	CTC-1570287	203.88
		FDB1-UP					
	9T8912		P-UB-10	2-3/4	5-1/2	CTC-1937639	164.75
SUSPENSION FRONT							
		FDB1-UP					
	2848014		P-U-1	13-1/2		CTC-3367342	3296.50
	2848015		P-U-1	13-1/2		CTC-3367342	3296.50

CATERPILLAR®

REPLACEMENT KITS FOR CATERPILLAR® EQUIPMENT

CATERPILLAR®

Off-Highway Trucks							
APPLICATION	CYL #	Misc-Parts, Instructions, etc.	CODE	ROD	BORE	KIT #	List \$
MODEL 793D							
SUSPENSION REAR							
FDB1-UP							
	2848016		P-U-1	12-1/2		CTC-3802688	1336.66
	2848017		P-U-1	12-1/2		CTC-3802688	1336.66
MODEL 797							
STEERING							
5YW1-UP							
	1523601		P-UB-10	3-1/4	6-1/4	CTC-2450620	179.73
	2317761		P-UB-10	3-1/2	7	CTC-2350974	187.64
MODEL 797B							
STEERING							
JSM1-UP							
	1946171		P-UB-10	3-1/2	7	CTC-2350974	187.64
MODEL 797F							
STEERING LH							
LAJ1-UP; WSP1-UP							
	1946171		P-UB-10	3-1/2	7	CTC-2350974	187.64
Pipelayers							
APPLICATION	CYL #	Misc-Parts, Instructions, etc.	CODE	ROD	BORE	KIT #	List \$
MODEL 572G							
DOZER LIFT LH							
	1U2136		P-UB-10	2-1/2	4-3/4	CTC-7X2660	246.36
DOZER LIFT RH							
	1U2135		P-UB-10	2-1/2	4-3/4	CTC-7X2660	246.36
PUMP							
38A; 40U; 78V							
	9J5047					CTC-9J5109	43.99
TRACK ADJUSTER							
			TRK ADJ			CTC-FIG3401	76.59
MODEL 583R							
COUNTERWEIGHT							
	1333850		P-UB-10	2-1/8	4	CTC-1305923	187.39
2XS1-UP							
	1333850		P-UB-10	2-1/8	4	CTC-2465929	59.30
2XS1-UP; CMX1-UP							
	1333850		P-UB-10	2-1/8	4	CTC-2465933	142.15
MODEL 583T							
COUNTERWEIGHT							
2XS1-UP							
	1333850		P-UB-10	2-1/8	4	CTC-2465929	59.30
2XS1-UP; CMX1-UP							
	1333850		P-UB-10	2-1/8	4	CTC-2465933	142.15
MODEL 587R							
COUNTERWEIGHT							
BXL1-UP; FAT1-UP							
			P-UB-10	50 mm	120 mm	CTC-3087847	217.37
MODEL 587T							
COUNTERWEIGHT							
BXL1-UP; FAT1-UP							
			P-UB-10	50 mm	120 mm	CTC-3087847	217.37
MODEL 589							
COUNTERWEIGHT							
	3G2918		P-V-10	2	4-1/2	CTC-7X2700	97.34
MODEL 591							
COUNTERWEIGHT							
	3G9729		P-V-10	2	4-1/2	CTC-7X2700	97.34

REPLACEMENT KITS FOR CATERPILLAR® EQUIPMENT

Pipelayers							
APPLICATION	CYL #	Misc-Parts, Instructions, etc.	CODE	ROD	BORE	KIT #	List \$
MODEL MD7, MD8, MDW8							
COUNTERWEIGHT							
	3G3505		P-UB-10	2	4-1/2	CTC-7X2768	121.61
MODEL PL61							
COUNTERWEIGHT							
	WGS1-UP						
	2966784		P-UB-10	60 mm	100 mm	CTC-SK100001	182.89
TRACK ADJUSTER							
	WGS1-UP						
			TRK ADJ			CTC-SK100002	36.55
MODEL PL83							
COUNTERWEIGHT							
	KSD1-UP						
			P-UB-10	2-1/8	4	CTC-2465933	142.15
MODEL PL87							
COUNTERWEIGHT							
	KKJ1-UP						
			P-UB-10	50 mm	120 mm	CTC-3087847	217.37
Scrapers							
APPLICATION	CYL #	Misc-Parts, Instructions, etc.	CODE	ROD	BORE	KIT #	List \$
MODEL 611							
APRON							
	6SZ1-UP; 7WZ1-UP						
	1706079		P-UB-10	2-1/2	4-1/2	CTC-2310898	103.44
BOWL							
	3G5679		P-UB-10	2-1/4	5	CTC-9X6392	219.47
	6SZ1-UP; 7WZ1-UP						
	3G5679		P-UB-10	2-1/4	5	CTC-2949581	107.26
EJECTOR							
	6SZ1-UP; 7WZ1-UP						
	1600624		P-UB-10	2-3/4	5-1/2	CTC-SK100056	141.62
LOAD							
	3G7274		P-UB-10	2-1/4	4-3/4	CTC-1318778	192.17
	6SZ1-UP; 7WZ1-UP						
	3G7274		P-UB-10	2-1/4	4-3/4	CTC-2417580	228.17
STEERING							
	6E3566		P-UB-10	2-1/4	4-1/2	CTC-1354392	192.54
	6SZ1-UP; 7WZ1-UP						
	6E3566		P-UB-10	2-1/4	4-1/2	CTC-2417585	101.09
MODEL 613C II							
BOWL							
	8LJ1-UP; 92X1-UP; 93X1612-UP; LCZ1-UP; TJK1-UP						
	9T8252		P-UB-10	2	4	CTC-2409538	94.69
	8LJ1-UP; 92X1-UP; 93X1-989; 93X1001-1001; 93X1003-1003; 93X1028-1031; 93X1033-1034						
	1U3124		P-UB-10	2	4	CTC-2406899	59.01
	8LJ1-UP; 92X1-UP; 93X990-1000; 93X1002-1002; 93X1004-1027; 93X1032-1032; 93X1035-1611						
	1U3124		P-UB-10	2	4	CTC-2339205	59.01
EJECTOR							
	8LJ1-UP; 92X1-UP; 93X1-1611						
	1U2012			2-1/4	3-1/2	CTC-2410903	106.13
	1U2012			2-1/4	3-1/2	CTC-2418916	255.57
	8LJ1-UP; 92X1-UP; 93X1612-UP; TJK1-UP						
	9T8039		P-UB-10	2-1/4	3-1/2	CTC-2350355	220.01
FLOOR							
	8LJ1-UP; 92X1-UP; 93X1-2779						
	1U2157		P-UB-10	2-1/2	5	CTC-2430386	96.66
	8LJ1-UP; 92X1-UP; 93X1-UP; TJK1-UP						
	1U2157		P-UB-10	2-1/2	5	CTC-2430387	285.77

REPLACEMENT KITS FOR CATERPILLAR® EQUIPMENT

Scrapers							
APPLICATION	CYL #	Misc-Parts, Instructions, etc.	CODE	ROD	BORE	KIT #	List \$
MODEL 613C II							
STEERING							
8LJ1-UP; 93X1-2779; LCZ1-UP; TJK1-UP							
6E2968			P-UB-10	2	3-1/2	CTC-2281778	106.58
92X1798-UP; 93X1-UP; TJK1-UP							
9T7900			P-UB-10	2	4	CTC-2409538	94.69
92X1-989; 92X998-1000; 92X1003-1003							
1U2291			P-UB-10	2	4	CTC-2406899	59.01
92X990-997; 92X1001-1002; 92X1004-1797							
1U2291			P-UB-10	2	4	CTC-2339205	59.01
MODEL 613G							
BOWL							
DBE1-UP; ESB1-UP							
			P-UB-10	2	4	CTC-2409538	94.69
EJECTOR							
DBE1-UP; ESB1-UP							
			P-UB-10	2-1/4	3-1/2	CTC-2350355	220.01
YCB1-UP							
			P-UB-10	85 mm	120 mm	CTC-SK100025	133.10
FLOOR							
DBE1-UP; ESB1-UP							
			P-UB-10	65 mm	130 mm	CTC-3087841	187.63
STEERING							
DBE1-UP; ESB1-UP; YCB1-UP							
			P-UB-10	2	3-1/2	CTC-2281778	106.58
MODEL 613SC							
BOWL							
1U3124			P-UB-10	2	4	CTC-1328816	127.22
3G5679			P-UB-10	2-1/4	5	CTC-9X6392	219.47
7J6058			P-UB-10	2	4	CTC-7X2755	156.44
9T8252			P-UB-10	2	4	CTC-1328816	127.22
EJECTOR							
1U2012			P-UB-10	2-1/4	3-1/2	CTC-1358166	222.91
FLOOR							
1U2157			P-UB-10	2-1/2	5	CTC-1315118	233.60
MODEL 615C II							
ACCUMULATOR							
46Z1-UP; 2XG1-UP; 47Z1-UP							
		Piston 9J9318 w/o wear ring	N-N-10		5	CTC-SK100057	41.94
46Z1-UP; 5TF1-UP; 9XG1-UP; 2XG1-UP; 47Z1-UP							
		Piston 9T1440 w/ wear ring	N-N-10		5	CTC-SK100059	104.27
BOWL LIFT							
46Z1-UP; 5TF1-UP; 9XG1-UP; 2XG1-897, 47Z1-UP							
3G5679		Piston 7J5525	P-UB-10	2-1/4	5	CTC-2410895	83.89
3G5679		Piston 9T8563	P-UB-10	2-1/4	5	CTC-2949581	107.26
46Z1-UP; 5TF1-UP; 9XG1-UP; 2XG898-UP							
3G5679			P-UB-10	2-1/4	5	CTC-2949581	107.26
EJECTOR							
46Z1-UP; 5TF1-UP; 9XG1-UP; 2XG1-UP; 47Z1-UP							
3G3892				2-1/2	4-1/4	CTC-2430393	254.92
46Z1-UP; 5TF1-UP; 9XG1-UP; 47Z1-UP							
3G3892			P-UB-10	2-1/2	4-1/4	CTC-2422546	85.23
FLOOR/DOOR							
46Z1-UP; 5TF1-UP; 9XG1-UP							
3G3883				2-3/4	5-1/2	CTC-2285274	297.31
46Z1-UP; 5TF1-UP; 9XG1-UP; 2XG1-897, 47Z1-UP							
3G3883		1 Buffer Ring		2-3/4	5-1/2	CTC-2285275	254.10

REPLACEMENT KITS FOR CATERPILLAR® EQUIPMENT

Scrapers							
APPLICATION	CYL #	Misc-Parts, Instructions, etc.	CODE	ROD	BORE	KIT #	List \$
MODEL 615C II							
FLOOR/DOOR							
46Z1-UP; 5TF1-UP; 9XG1-UP; 47Z1-UP							
3G3883	3 Buffer Rings		P-UB-10	2-3/4	5-1/2	CTC-SK100035	85.77
LOAD							
46Z1-UP; 5TF1-UP; 2XG1-UP; 47Z1-UP							
3G7274			P-UB-10	2-1/4	4-3/4	CTC-2410902	105.94
46Z1-UP; 5TF1-UP; 9XG1-UP; 2XG1-UP; 47Z1-UP							
3G7274			P-UB-10	2-1/4	4-3/4	CTC-2417580	228.17
STEERING							
46Z1-UP; 5TF1-UP; 2XG1-UP; 47Z1-UP							
5J1326			P-UB-10	2-1/4	5	CTC-2410895	83.89
9XG1-UP; 2XG1-UP; 47Z1-UP							
6E3566			P-UB-10	2-1/4	4-1/2	CTC-2417585	101.09
MODEL 615SC							
BOWL							
3G5679			P-UB-10	2-1/4	5	CTC-7X2729	222.67
3G5679			P-UB-10	2-1/4	5	CTC-9X6392	219.47
EJECTOR							
3G3892			P-UB-10	2-1/2	4-1/4	CTC-7X2663	67.75
STEERING							
5J1326			P-UB-10	2-1/4	5	CTC-7X2729	222.67
MODEL 621F							
ACCUMULATOR							
2PD1-1030; 6AB1-1522; 8PL1-UP; 2TF1-UP; 5JK1-UP; 6BB1-UP; 9NL1-UP							
			N-N-10		5	CTC-SK100059	104.27
APRON							
2PD1-UP; 4SK1-UP; 6AB1-UP; 8PL1-UP; 2TF1-UP; 6BB1-1234							
5J0778				2-3/4	7-1/4	CTC-2440957	389.64
2PD1-UP; 4SK1-UP; 6AB1-UP; 8PL1-UP; 5JK1-UP; 6BB1235-UP; 9NL1-UP							
6E3690				2-3/4	7-1/4	CTC-2440954	207.96
2PD1-UP; 4SK1-UP; 6AB1-UP; 8PL1-UP; 5JK1-UP; 6BB1-UP; 9NL1-UP							
5J0778				2-3/4	7-1/4	CTC-2440954	207.96
BOWL							
2PD1-UP; 4SK1-UP; 6AB1-UP; 8PL1-UP; 2TF1-UP; 5JK1-UP; 6BB1-UP; 9NL1-UP							
5J2449				2-1/2	6	CTC-2422545	325.26
5J2450				2-1/2	6	CTC-2422545	325.26
EJECTOR							
2PD1-UP; 4SK1-UP; 6AB1-UP; 8PL1-UP; 2TF1-699; 6BB1-1234							
1U0408	Head 3G1729			4	6-1/2	CTC-2460643	605.42
2PD1-UP; 4SK1-UP; 6AB1-UP; 8PL1-UP; 2TF700-UP; 5JK1-UP; 6BB1235-UP; 9NL1-UP							
1U0408				4	6-1/2	CTC-2460641	670.48
2PD1-UP; 4SK1-UP; 6AB1-UP; 8PL1-UP; 5JK1-UP							
9T4885	Auger arrangement		P-UB-10	4	6-1/2	CTC-SK100053	381.13
2PD1-UP; 4SK1-UP; 6AB1-UP; 8PL1-UP; 6BB1-1234							
1U0408	Head 9T6530			4	6-1/2	CTC-2460641	670.48
LOAD							
1083592			P-UB-10	2-1/2	5-1/2	CTC-7X2653	222.82
2PD1022-UP; 4SK1-UP; 6AB1579-UP; 8PL1-UP; 2TF1-UP; 5JK1-UP; 6BB1-UP; 9NL1-UP							
1083592			P-UB-10	2-1/2	5-1/2	CTC-2422539	109.70
2PD1-739; 6AB1-1165; 2TF1-UP; 5JK1-UP; 6BB1-UP; 9NL1-UP							
9T1803			P-UB-10	2-1/2	5-1/2	CTC-2422539	109.70
2PD740-1021; 6AB1166-1578; 8PL1-UP; 2TF1-UP; 5JK1-UP; 6BB1-UP; 9NL1-UP							
9T8935			P-SP-10	2-1/2	5-1/2	CTC-9X6027	155.68
SERVO							
2PD1-UP; 4SK1-UP; 6AB1-UP; 8PL1-UP; 2TF1-UP; 5JK1-UP; 6BB1-UP; 9NL1-UP							
4T9364			I-U-10	3/4	1-1/2	CTC-3651382	48.95

REPLACEMENT KITS FOR CATERPILLAR® EQUIPMENT

Scrapers							
APPLICATION	CYL #	Misc-Parts, Instructions, etc.	CODE	ROD	BORE	KIT #	List \$
MODEL 621F							
SERVO							
2PD1-UP; 4SK1-UP; 6AB1-UP; 8PL1-UP; 2TF1-UP; 5JK1-UP; 6BB1-UP; 9NL1-UP							
	9T6685		I-U-10	3/4	1-1/2	CTC-3651382	48.95
STEERING							
	3G5192	1.11" wide wear ring, rod bearing incl	P-UB-10	2-1/2	5	CTC-1304012	247.74
	5J1326		P-UB-10	2-1/4	5	CTC-7X2729	222.67
2PD1-UP; 4SK1-UP; 6AB1-UP; 8PL1-UP; 2TF1-638; 6BB1-1234							
	3G5192		P-UB-10	2-1/2	5	CTC-2430386	96.66
2PD1-UP; 4SK1-UP; 6AB1-UP; 8PL1-UP; 2TF639-UP; 6BB1-1234							
	3G5192	Piston 7J5525	P-UB-10	2-1/2	5	CTC-2422542	110.85
2PD1-UP; 4SK1-UP; 6AB1-UP; 8PL1-UP; 5JK1-UP; 6BB1235-UP; 9NL1-UP							
	3G5192		P-UB-10	2-1/2	5	CTC-2430384	111.22
2PD1-UP; 4SK1-UP; 6AB1-UP; 8PL1-UP; 6BB1-1234							
	3G5192	Piston 9T8563	P-UB-10	2-1/2	5	CTC-2430384	111.22
MODEL 621G							
APRON							
ALP1-UP; CEN1-UP; DBB1-UP; KJW1-UP; NEL1-UP; ANG1-UP; CEP1-UP; DBX1-UP; KLK1-UP; MEX1-UP							
	6E3690			2-3/4	7-1/4	CTC-2440954	207.96
BOWL							
ALP1-UP; CEN1-UP; DBB1-UP; KJW1-UP; NEL1-UP; ANG1-UP; CEP1-UP; DBX1-UP; KLK1-UP; MEX1-UP							
	5J2449			2-1/2	6	CTC-2422545	325.26
	5J2450			2-1/2	6	CTC-2422545	325.26
EJECTOR							
ALP1-UP; CEN1-UP; DBB1-UP; KJW1-UP; NEL1-UP; ANG1-UP; CEP1-UP; DBX1-UP; KLK1-UP; MEX1-UP							
	1U0408			4	6-1/2	CTC-2460641	670.48
	9T4885	Auger arrangement	P-UB-10	4	6-1/2	CTC-SK100053	381.13
LOAD							
	1083592		P-UB-10	2-1/2	5-1/2	CTC-7X2653	222.82
ALP1-UP; CEN1-UP; DBB1-UP; KJW1-UP; NEL1-UP; ANG1-UP; CEP1-UP; DBX1-UP; KLK1-UP; MEX1-UP							
	1083592		P-UB-10	2-1/2	5-1/2	CTC-2422539	109.70
CEN1-UP; ANG1-UP; CEP1-UP; DBX1-UP; KLK1-UP; MEX1-UP							
			P-UB-10	2-1/2	5-1/2	CTC-SK100054	284.88
PUMP							
DBB; 14S; 15S; 35V; 45P							
	9J5075					CTC-9J5108	55.04
SERVO							
ALP1-UP; CEN1-UP; DBB1-UP; KJW1-UP; NEL1-UP; ANG1-UP; CEP1-UP; DBX1-UP; KLK1-UP; MEX1-UP							
	9T6685		I-U-10	3/4	1-1/2	CTC-3651382	48.95
STEERING							
ALP1-UP; CEN1-UP; DBB1-UP; KJW1-UP; NEL1-UP; ANG1-UP; CEP1-UP; DBX1-UP; KLK1-UP; MEX1-UP							
	3G5192		P-UB-10	2-1/2	5	CTC-2430384	111.22
CEN1-UP; ANG1-UP; CEP1-UP; DBX1-UP; KLK1-UP; MEX1-UP							
			P-UB-10	2-1/4	5	CTC-SK100055	481.77
MODEL 621H							
BAIL							
DBK1-UP; EAZ1-UP							
			P-UB-10	60 mm	90 mm	CTC-SK100026	291.83
LOAD							
DBK1-UP; EAZ1-UP							
			P-UB-10	2-1/2	5-1/2	CTC-3367351	275.36
SERVO							
DBK1-UP; EAZ1-UP							
			I-U-10	3/4	1-1/2	CTC-3651382	48.95
STEERING							
DBK1-UP; EAZ1-UP							
			P-UB-10	2-1/2	5	CTC-2430384	111.22

REPLACEMENT KITS FOR CATERPILLAR® EQUIPMENT

Scrapers							
APPLICATION	CYL #	Misc-Parts, Instructions, etc.	CODE	ROD	BORE	KIT #	List \$
MODEL 621SC							
APRON							
	5J0778		P-UB-10	2-3/4	7-1/4	CTC-7X2681	155.82
	6E3690		P-UB-10	2-3/4	7-1/4	CTC-7X2681	155.82
BOWL LH							
	5J2450		P-UB-10	2-1/2	6	CTC-7X2662	234.93
BOWL RH							
	5J2449		P-UB-10	2-1/2	6	CTC-7X2662	234.93
EJECTOR							
	1U0408		P-UB-10	4	6-1/2	CTC-7X2765	323.31
	6J9689		P-UB-10	4	6-1/2	CTC-7X2765	323.31
	9T4885		P-UB-10	4	6-1/2	CTC-7X2765	323.31
LOAD							
	8J0204		P-UB-10	2-1/2	5-1/2	CTC-9X2050	138.10
STEERING							
	3G5192	1.11" wide wear ring, rod bearing incl	P-UB-10	2-1/2	5	CTC-1304012	247.74
	3G5192	1.55" wide wear ring	P-UB-10	2-1/2	5	CTC-7X2743	154.10
	5J1326		P-UB-10	2-1/4	5	CTC-7X2729	222.67
MODEL 623F							
ACCUMULATOR							
	3XW1-UP; 5SG1-UP; 6DB1-UP; 6CB1-UP; 6YF1-387						
			N-N-10		5	CTC-SK100059	104.27
BOWL							
	5EW1-UP; 6BK1-UP; 6CB1-UP; 6YF1-UP; 3XW1-UP; 5SG1-UP; 6DB1-UP						
	8J1876			2-1/2	6	CTC-2422545	325.26
EJECTOR							
	5EW1-UP; 6BK1-UP; 6CB1-UP; 6YF1-UP; 3XW1-UP; 5SG1-UP; 6DB1-UP						
	8J5478	Piston 9T8563	P-UB-10	2-1/2	5	CTC-2430384	111.22
	5EW1-UP; 6BK1-UP; 6CB1-UP; 6YF1-UP; 6DB1-UP						
	8J5478	Piston 7J5525	P-UB-10	2-1/2	5	CTC-2422542	110.85
	8J5478		P-UB-10	2-1/2	5	CTC-2430386	96.66
FLOOR							
	5EW1-UP; 6BK1-UP; 6CB1-UP; 6YF1-UP; 3XW1-287						
	1478194		P-UB-10	4	6	CTC-2460658	466.04
	5EW1-UP; 6BK1-UP; 6CB1-UP; 6YF1-UP; 3XW288-UP						
				3-1/4	5-1/2	CTC-2611073	370.47
	5EW1-UP; 6BK1-UP; 6CB1-UP; 6YF1-UP; 5SG1-UP; 6DB1-UP						
	8J1821		P-UB-10	3	6	CTC-2442062	223.29
	5EW1-UP; 6BK1-UP; 6CB1-UP; 6YF1-UP; 6DB1-UP						
	8J1821			3	6	CTC-2442064	96.59
LOAD							
	5EW1-UP; 6BK1-UP; 6CB1-841; 6YF431-UP; 3XW1-UP; 5SG1-UP; 6DB1-UP						
	1083592		P-UB-10	2-1/2	5-1/2	CTC-2422539	109.70
	9T1803		P-UB-10	2-1/2	5-1/2	CTC-2422539	109.70
	6CB842-UP; 6YF1-430; 3XW1-UP; 5SG1-UP; 6DB1-UP						
	9T8935		P-SP-10	2-1/2	5-1/2	CTC-9X6027	155.68
SERVO							
	5EW1-UP; 6BK1-UP; 6CB1-UP; 6YF1-UP; 3XW1-UP; 5SG1-UP; 6DB1-UP						
	4T9364		I-U-10	3/4	1-1/2	CTC-3651382	48.95
	9T6685		I-U-10	3/4	1-1/2	CTC-3651382	48.95
STEERING							
	5EW1-UP; 6BK1-UP; 6CB1-UP; 6YF1-UP; 3XW1-UP; 5SG1-UP; 6DB1-UP						
	3G5192	Piston 9T8563	P-UB-10	2-1/2	5	CTC-2430384	111.22
	5EW1-UP; 6BK1-UP; 6CB1-UP; 6YF1-UP; 6DB1-UP						
	3G5192	Piston 7J5525	P-UB-10	2-1/2	5	CTC-2422542	110.85
	3G5192		P-UB-10	2-1/2	5	CTC-2430386	96.66

REPLACEMENT KITS FOR CATERPILLAR® EQUIPMENT

Scrapers							
APPLICATION	CYL #	Misc-Parts, Instructions, etc.	CODE	ROD	BORE	KIT #	List \$
MODEL 623F, 623G							
LOAD							
	1083592		P-UB-10	2-1/2	5-1/2	CTC-7X2653	222.82
MODEL 623G							
BOWL							
	ARW1-UP; CES1-UP; DBC1-UP; AWB1-UP; CEW1-UP; DBY1-UP						
	8J1876			2-1/2	6	CTC-2422545	325.26
EJECTOR							
	ARW1-UP; CES1-UP; DBC1-UP; AWB1-UP; CEW1-UP; DBY1-UP						
	8J5478		P-UB-10	2-1/2	5	CTC-2430384	111.22
FLOOR							
	ARW1-UP; CES1-UP; DBC1-UP; AWB1-UP; CEW1-UP; DBY1-UP						
	1854338			3-1/4	5-1/2	CTC-2611073	370.47
LOAD							
	ARW1-UP; CES1-UP; DBC1-UP; AWB1-UP; CEW1-UP; DBY1-UP						
			P-UB-10	2-1/2	5-1/2	CTC-2422539	109.70
SERVO							
	ARW1-UP; CES1-UP; DBC1-UP; AWB1-UP; CEW1-UP; DBY1-UP						
			I-U-10	3/4	1-1/2	CTC-3651382	48.95
STEERING							
	ARW1-UP; CES1-UP; DBC1-UP; AWB1-UP; CEW1-UP; DBY1-UP						
	3G5192		P-UB-10	2-1/2	5	CTC-2430384	111.22
MODEL 623H							
LOAD							
	DBF1-UP; EJD1-UP						
			P-UB-10	2-1/2	5-1/2	CTC-3367351	275.36
SERVO							
	DBF1-UP; EJD1-UP						
			I-U-10	3/4	1-1/2	CTC-3651382	48.95
STEERING							
	DBF1-UP; EJD1-UP						
			P-UB-10	2-1/2	5	CTC-2430384	111.22
MODEL 623SC							
EJECTOR							
	8J5478		P-UB-10	2-1/2	5	CTC-1304012	247.74
	8J5478		P-UB-10	2-1/2	5	CTC-7X2658	230.88
FLOOR							
	8J1821		P-UB-10	3	6	CTC-7X2698	255.56
LIFT							
	8J1876		P-UB-10	2-1/2	6	CTC-7X2662	234.93
LOAD							
	8J0204		P-UB-10	2-1/2	5-1/2	CTC-9X2050	138.10
STEERING							
	3G5192	1.11" wide wear ring, rod bearing incl	P-UB-10	2-1/2	5	CTC-1304012	247.74
	3G5192	1.55" wide wear ring	P-UB-10	2-1/2	5	CTC-7X2743	154.10
	5J1326		P-UB-10	2-1/4	5	CTC-7X2729	222.67
MODEL 623SCG							
EJECTOR							
	8J5478		P-UB-10	2-1/2	5	CTC-1304012	247.74
LIFT							
	8J1876		P-UB-10	2-1/2	6	CTC-7X2662	234.93
STEERING							
	3G5192	1.11" wide wear ring, rod bearing incl	P-UB-10	2-1/2	5	CTC-1304012	247.74
MODEL 627F							
ACCUMULATOR							
	6EB1-UP; 6GB1-UP; 7CB1-875; 3WJ1-UP; 4YK1-UP; 6FB1-UP; 6HB1-UP						
			N-N-10		5	CTC-SK100059	104.27

REPLACEMENT KITS FOR CATERPILLAR® EQUIPMENT

Scrapers							
APPLICATION	CYL #	Misc-Parts, Instructions, etc.	CODE	ROD	BORE	KIT #	List \$
MODEL 627F							
APRON							
1DL1-UP; 6EB1-UP; 6GB1-UP; 7CG1-UP; 3WJ1-UP; 4YK1-UP; 6FB1-UP; 6HB1-UP							
	5J0778			2-3/4	7-1/4	CTC-2440954	207.96
	6E3690			2-3/4	7-1/4	CTC-2440954	207.96
1DL1-UP; 6EB1-UP; 6GB1-UP; 7CG1-UP; 6FB1-UP; 6HB1-UP							
	5J0778			2-3/4	7-1/4	CTC-2440957	389.64
BAIL							
	6E0801		P-UB-10	1-3/4	3	CTC-7X2825	73.65
1DL1-UP; 3WJ1-UP; 4YK1-UP; 6FB1-UP; 6HB1-UP							
	6E0801		P-UB-10	1-3/4	3	CTC-2275350	45.88
6EB644-UP; 6GB1-UP; 7CG1-UP; 3WJ1-UP; 4YK1-UP; 6FB1-UP; 6HB1-UP							
	4T5638		P-UB-10	1-3/4	3	CTC-2402016	56.96
BOWL LIFT							
	5J2449	Wear Ring 1.74"	P-UB-10	2-1/2	6	CTC-7X2662	234.93
	5J2450	Wear Ring 1.74"	P-UB-10	2-1/2	6	CTC-7X2662	234.93
1DL1-UP; 6EB1-UP; 6GB1-UP; 7CG1-UP; 3WJ1-UP; 4YK1-UP; 6FB1-UP; 6HB1-UP							
	5J2449			2-1/2	6	CTC-2422545	325.26
	5J2450			2-1/2	6	CTC-2422545	325.26
EJECTOR							
1DL1-UP; 6EB1-UP; 6GB1-UP; 7CG1-UP; 3WJ1-UP; 4YK1-UP; 6FB1-UP; 6HB1-UP							
	1U0408	Head 9T6530		4	6-1/2	CTC-2460641	670.48
	9T4885	Auger arrangement	P-UB-10	4	6-1/2	CTC-SK100053	381.13
1DL1-UP; 6EB1-UP; 6GB1-UP; 7CG1-UP; 6FB1-UP; 6HB1-UP							
	1U0408	Head 3G1729		4	6-1/2	CTC-2460643	605.42
LOAD							
	1083592		P-UB-10	2-1/2	5-1/2	CTC-7X2653	222.82
1DL1-UP; 6EG1-586; 6GB1-713; 3WJ1-UP; 4YK1-UP; 6FB1-UP; 6HB1-UP							
	9T1803		P-UB-10	2-1/2	5-1/2	CTC-2422539	109.70
6EB587-UP; 6GB714-UP; 7CG1-925; 3WJ1-UP; 4YK1-UP; 6FB1-UP; 6HB1-UP							
	9T8935		P-SP-10	2-1/2	5-1/2	CTC-9X6027	155.68
7CG926-UP; 3WJ1-UP; 4YK1-UP; 6FB1-UP; 6HB1-UP							
	1083592		P-UB-10	2-1/2	5-1/2	CTC-2422539	109.70
SERVO							
1DL1-UP; 6EB1-UP; 6GB1-UP; 7CG1-UP; 3WJ1-UP; 4YK1-UP; 6FB1-UP; 6HB1-UP							
	4T9364		I-U-10	3/4	1-1/2	CTC-3651382	48.95
	9T6685		I-U-10	3/4	1-1/2	CTC-3651382	48.95
STEERING							
1DL1-UP; 6EB1-UP; 6GB1-UP; 7CG1-UP; 3WJ1-UP; 4YK1-UP; 6FB1-UP; 6HB1-UP							
	3G5192	Piston 9T8563	P-UB-10	2-1/2	5	CTC-2430384	111.22
1DL1-UP; 6EB1-UP; 6GB1-UP; 7CG1-UP; 6FB1-UP; 6HB1-UP							
	3G5192	Piston 7J5525	P-UB-10	2-1/2	5	CTC-2422542	110.85
	3G5192		P-UB-10	2-1/2	5	CTC-2430386	96.66
MODEL 627G							
APRON							
AXF1-UP; CEX1-UP; DBD1-UP; AYK1-UP; CEZ1-UP; DBZ1-UP							
	6E3690			2-3/4	7-1/4	CTC-2440954	207.96
BAIL							
AXF1-UP; CEX1-UP; DBD1-UP; AYK1-UP; CEZ1-UP; DBZ1-UP							
	1677434		P-UB-10	1-3/4	3	CTC-2275350	45.88
BOWL LIFT							
	5J2449	Wear Ring 1.74"	P-UB-10	2-1/2	6	CTC-7X2662	234.93
	5J2450	Wear Ring 1.74"	P-UB-10	2-1/2	6	CTC-7X2662	234.93
AXF1-UP; CEX1-UP; DBD1-UP; AYK1-UP; CEZ1-UP; DBZ1-UP							
	5J2449			2-1/2	6	CTC-2422545	325.26
	5J2450			2-1/2	6	CTC-2422545	325.26

CATERPILLAR®

REPLACEMENT KITS FOR CATERPILLAR® EQUIPMENT

Scrapers							
APPLICATION	CYL #	Misc-Parts, Instructions, etc.	CODE	ROD	BORE	KIT #	List \$
MODEL 627G							
EJECTOR							
AXF1-UP; CEX1-UP; DBD1-UP; AYK1-UP; CEZ1-UP; DBZ1-UP							
	1U0408			4	6-1/2	CTC-2460641	670.48
	9T4885		P-UB-10	4	6-1/2	CTC-SK100053	381.13
LOAD							
AXF1-UP; CEX1-UP; DBD1-UP; AYK1-UP; CEZ1-UP; DBZ1-UP							
	1083592		P-UB-10	2-1/2	5-1/2	CTC-2422539	109.70
SERVO							
AXF1-UP; CEX1-UP; DBD1-UP; AYK1-UP; CEZ1-UP; DBZ1-UP							
	9T6685		I-U-10	3/4	1-1/2	CTC-3651382	48.95
STEERING							
AXF1-UP; CEX1-UP; DBD1-UP; AYK1-UP; CEZ1-UP; DBZ1-UP							
	3G5192		P-UB-10	2-1/2	5	CTC-2430384	111.22
MODEL 627H							
BAIL							
DBW1-UP; LCT1-UP							
			P-UB-10	60 mm	90 mm	CTC-SK100026	291.83
LOAD							
DBW1-UP; LCT1-UP							
			P-UB-10	2-1/2	5-1/2	CTC-3367351	275.36
SERVO							
DBW1-UP; LCT1-UP							
			I-U-10	3/4	1-1/2	CTC-3651382	48.95
STEERING							
DBW1-UP; LCT1-UP							
			P-UB-10	2-1/2	5	CTC-2430384	111.22
MODEL 627SC							
APRON							
	5J0778		P-UB-10	2-3/4	7-1/4	CTC-7X2681	155.82
	6E3690		P-UB-10	2-3/4	7-1/4	CTC-7X2681	155.82
BAIL							
	7J2377		P-U-10	2	3-1/2	CTC-7X2806	166.43
	8J6064		P-U-10	2	3-1/2	CTC-7X2806	166.43
BOWL LH							
	5J2450		P-UB-10	2-1/2	6	CTC-7X2662	234.93
BOWL RH							
	5J2449		P-UB-10	2-1/2	6	CTC-7X2662	234.93
EJECTOR							
	1U0408		P-UB-10	4	6-1/2	CTC-7X2765	323.31
	9T4885		P-UB-10	4	6-1/2	CTC-7X2765	323.31
LOAD							
	8J0204		P-UB-10	2-1/2	5-1/2	CTC-9X2050	138.10
STEERING							
	3G5192	1.11" wide wear ring, rod bearing incl	P-UB-10	2-1/2	5	CTC-1304012	247.74
	3G5192	1.55" wide wear ring, rod bearing incl	P-UB-10	2-1/2	5	CTC-7X2658	230.88
	3G5192	1.55" wide wear ring	P-UB-10	2-1/2	5	CTC-7X2743	154.10
	5J1326		P-UB-10	2-1/4	5	CTC-7X2729	222.67
MODEL 630							
TRACTION CONTROL							
	4D0470		P-V-10	2	5	CTC-7X2763	185.79
	4D5543		P-V-10	2	5	CTC-7X2763	185.79
MODEL 630SC							
EJECTOR							
	6J1419		I-U-10	6	8-1/4	CTC-1180672	696.50

REPLACEMENT KITS FOR CATERPILLAR® EQUIPMENT

Scrapers							
APPLICATION	CYL #	Misc-Parts, Instructions, etc.	CODE	ROD	BORE	KIT #	List \$
MODEL 631E II							
ACCUMULATOR							
1AB1-581; 1BB1-UP; 4LD1-UP; 6PC1-UP							
			N-N-10		5	CTC-SK100057	41.94
1AB582-1468, 1640-UP; 1NB1-UP; 3ND1-544; 1BB1-UP; 4LD1-UP; 6PC1-UP							
			N-N-10		5	CTC-SK100059	104.27
APRON							
1AB1-UP; 1NB1-UP; 3ND1-UP; 1BB1-UP; 4LD1-UP; 6PC1-UP							
	8J5931			3	8-1/4	CTC-2442069	442.44
BOWL							
1AB1-UP; 1NB1-UP; 3ND1-UP; 1BB1-850; 4LD1-250; 6PC1-518							
	9J0408			2-3/4	7-1/4	CTC-2435820	306.07
	9J0409			2-3/4	7-1/4	CTC-2435820	306.07
1AB1-UP; 1NB1-UP; 3ND1-UP; 1BB851-UP; 4LD251-UP; 6PC1-UP							
	9J0408			2-3/4	7-1/4	CTC-2435814	329.73
	9J0409			2-3/4	7-1/4	CTC-2435814	329.73
EJECTOR							
1AB1-UP; 1NB1-UP; 3ND1-UP; 1BB1-UP; 4LD1-269; 6PC1-597							
	6E0897		I-U-10	6	8-1/4	CTC-1891778	683.29
	6E0905		I-U-10	6	8-1/4	CTC-1891778	683.29
	6J5824		I-U-10	6	8-1/4	CTC-1891778	683.29
	9T3595		I-U-10	6	8-1/4	CTC-1891778	683.29
	9T4887		I-U-10	6	8-1/4	CTC-1891778	683.29
1AB1-UP; 1NB1-UP; 3ND1-UP; 1BB1-UP; 4LD270-UP; 6PC598-UP							
	6E0897			6	8-1/4	CTC-2463442	951.18
LOAD							
1AB1076-1445; 1NB686-871; 3ND318-536; 1BB1-UP; 4LD1-UP; 6PC1-UP							
	8J9959		P-SP-10	2-1/2	6-1/2	CTC-9X6024	210.45
1AB1446-1639; 1NB872-1389; 1BB1-UP; 4LD1-UP; 6PC1-UP							
	1083591	Head 1100311		2-1/2	6-1/2	CTC-2435803	302.17
	1083591	Head 9T6538	P-SP-10	2-1/2	6-1/2	CTC-9X6024	210.45
	8J9959	Head 9T6538	P-SP-10	2-1/2	6-1/2	CTC-9X6024	210.45
1AB1640-UP; 1NB1390-UP; 3ND537-UP; 1BB1-UP; 4LD1-UP; 6PC1-UP							
	1083591			2-1/2	6-1/2	CTC-2435803	302.17
1AB1-679; 1NB1-595; 3ND1-275; 1BB1-UP; 4LD1-UP; 6PC1-UP							
	8J9959			2-1/2	6-1/2	CTC-2435797	283.15
1AB680-1075; 1NB595-685; 3ND276-317; 1BB1-UP; 4LD1-UP; 6PC1-UP							
	8J9959			2-1/2	6-1/2	CTC-2435803	302.17
SERVO							
1AB1-UP; 1NB1-UP; 3ND1-UP; 1BB1-UP; 4LD1-UP; 6PC1-UP							
	4T9364		I-U-10	3/4	1-1/2	CTC-3651382	48.95
	9T6685		I-U-10	3/4	1-1/2	CTC-3651382	48.95
STEERING							
1AB1-UP; 1NB1-UP; 3ND1-UP; 1BB1-747, 749-752; 4LD1-250; 6PC1-518							
	3G7607	Head 9J5605	P-UB-10	2-3/4	6-1/2	CTC-2355802	99.61
1AB1-UP; 1NB1-UP; 3ND1-UP; 1BB1-UP; 4LD251-UP; 6PC1-UP							
	3G7607	Head 9T6861	P-UB-10	2-3/4	6-1/2	CTC-2355804	274.14
MODEL 631G							
APRON							
AWK1-UP; CLR1-UP; DFA1-UP; AXZ1-UP; CMT1-UP; DEM1-UP							
	8J5931			3	8-1/4	CTC-2442069	442.44
BOWL							
AWK1-UP; CLR1-UP; DFA1-UP; AXZ1-UP; CMT1-UP; DEM1-UP							
	9J0408			2-3/4	7-1/4	CTC-2435814	329.73
	9J0409			2-3/4	7-1/4	CTC-2435814	329.73

CATERPILLAR®

REPLACEMENT KITS FOR CATERPILLAR® EQUIPMENT

Scrapers							
APPLICATION	CYL #	Misc-Parts, Instructions, etc.	CODE	ROD	BORE	KIT #	List \$
MODEL 631G							
EJECTOR							
		AWK1-UP; CLR1-UP; DFA1-UP; AXZ1-UP; CMT1-UP; DEM1-UP					
	6E0897			6	8-1/4	CTC-2463442	951.18
LOAD							
		AWK1-UP; CLR1-UP; DFA1-UP; AXZ1-UP; CMT1-UP; DEM1-UP					
	1083591			2-1/2	6-1/2	CTC-2435803	302.17
SERVO							
		AWK1-UP; CLR1-UP; DFA1-UP; AXZ1-UP; CMT1-UP; DEM1-UP					
	9T6685		I-U-10	3/4	1-1/2	CTC-3651382	48.95
STEERING							
		AWK1-UP; CLR1-UP; DFA1-UP; AXZ1-UP; CMT1-UP; DEM1-UP					
	3G7607		P-UB-10	2-3/4	6-1/2	CTC-2355804	274.14
MODEL 631SC							
APRON							
	8J5931		P-UB-10	3	8-1/4	CTC-7X2695	441.94
EJECTOR							
	6E0897		I-U-10	6	8-1/4	CTC-1180672	696.50
	6E0905		I-U-10	6	8-1/4	CTC-1180672	696.50
	6J1419		I-U-10	6	8-1/4	CTC-1180672	696.50
	6J5824		I-U-10	6	8-1/4	CTC-1180672	696.50
	6J5824		P-V-10	6	8-1/4	CTC-8T1415	405.78
	9T3595		I-U-10	6	8-1/4	CTC-1180672	696.50
	9T4887		I-U-10	6	8-1/4	CTC-1180672	696.50
LIFT LH							
	7J2396		P-UB-10	2-3/4	7-1/4	CTC-7X2687	282.70
	9J0409		P-UB-10	2-3/4	7-1/4	CTC-7X2687	282.70
LIFT RH							
	7J2395		P-UB-10	2-3/4	7-1/4	CTC-7X2687	282.70
	9J0408		P-UB-10	2-3/4	7-1/4	CTC-7X2687	282.70
LOAD							
	7J3386		P-UB-10	2-1/2	6	CTC-7X2836	204.35
STEERING							
	3G7607		P-UB-10	2-3/4	6-1/2	CTC-7X2689	220.86
	3J9031		P-UB-10	2-1/2	6-1/2	CTC-8T1376	109.10
	5J1250		P-UB-10	2-1/2	6-1/2	CTC-8T1376	109.10
	5J7806		P-UB-10	2-1/2	6-1/2	CTC-8T1376	109.10
MODEL 633B							
ACCUMULATOR							
		66M693-UP; 86H711-UP					
			N-N-10		5	CTC-SK100057	41.94
BOWL LIFT							
	3G9677		P-UB-10	2-3/4	7-1/4	CTC-7X2687	282.70
		44J1-UP; 66M1-UP; 86H1-340					
	5J7654		P-V-10	2-3/4	7-1/4	CTC-SK100036	124.76
	5J7654		I-V-10	2-3/4	7-1/4	CTC-SK100038	115.73
		44J1-UP; 66M1-UP; 86H341-537					
	7J0243		P-V-10	2-3/4	7-1/4	CTC-SK100036	124.76
		44J1-UP; 66M1-UP; 86H538-980					
	7J0243		P-UB-10	2-3/4	7-1/4	CTC-SK100034	110.55
		44J1-UP; 66M1-UP; 86H981-UP					
	7J0243			2-3/4	7-1/4	CTC-2435820	306.07
FLOOR							
		44J1-UP; 66M1-UP; 86H1-687					
	5J7806			2-1/2	6-1/2	CTC-2422554	253.15
	6J1516			2-1/2	6-1/2	CTC-2422554	253.15
	7J1693			2-1/2	6-1/2	CTC-2422554	253.15

REPLACEMENT KITS FOR CATERPILLAR® EQUIPMENT

Scrapers							
APPLICATION	CYL #	Misc-Parts, Instructions, etc.	CODE	ROD	BORE	KIT #	List \$
MODEL 633B							
FLOOR							
44J1-UP; 66M1-UP; 86H688-UP							
	6J1516			2-1/2	6-1/2	CTC-2435797	283.15
	7J1693			2-1/2	6-1/2	CTC-2435797	283.15
LOAD CUSHION HITCH							
	9J0537		P-UB-10	2-1/2	6-1/2	CTC-8T1376	109.10
66M693-850, 825-861, 866; 86H1-UP							
	7J3386		P-UB-10	2-1/2	6	CTC-2422558	92.25
66M851, 862-865, 867-UP; 86H1-UP							
	9J0537			2-1/2	6-1/2	CTC-2435797	283.15
SERVO-MASTER							
66M693-UP; 86H1-UP							
	5J8606		I-U-10	3/4	1-1/2	CTC-8T1387	54.95
STEERING							
	5J7806		P-UB-10	2-1/2	6-1/2	CTC-8T1376	109.10
	6J1516		P-UB-10	2-1/2	6-1/2	CTC-8T1376	109.10
	8J3544		P-UB-10	2-1/2	6-1/2	CTC-8T1376	109.10
44J1-UP; 66M1-659; 86H1-UP							
	5J7806			2-1/2	6-1/2	CTC-2422554	253.15
66M660-UP; 86H1-UP							
	5J7806			2-1/2	6-1/2	CTC-2435797	283.15
	8J3544			2-1/2	6-1/2	CTC-2435797	283.15
STEERING RH							
	7J1693		P-UB-10	2-1/2	6-1/2	CTC-8T1376	109.10
MODEL 633E							
BOWL							
2PS1-UP; 1EB1-UP							
	1313223			2-3/4	7-1/4	CTC-2435814	329.73
	3G9677			2-3/4	7-1/4	CTC-2435814	329.73
EJECTOR							
2PS1-UP; 1EB1-UP							
	1U0408			4	6-1/2	CTC-2460641	670.48
FLOOR							
2PS1-UP; 1EB1-UP							
	2T3616		P-UB-10	3	6-1/4	CTC-SK100052	186.12
LOAD							
2PS1-UP; 1EB1-UP							
	1083591			2-1/2	6-1/2	CTC-2435803	302.17
SERVO							
2PS1-UP; 1EB1-UP							
	9T6685		I-U-10	3/4	1-1/2	CTC-3651382	48.95
STEERING							
2PS1-UP; 1EB1-UP							
	3G7607		P-UB-10	2-3/4	6-1/2	CTC-2355804	274.14
MODEL 633E II							
BOWL							
2PS1-UP; 1EB1-UP							
	1313223			2-3/4	7-1/4	CTC-2435814	329.73
	3G9677			2-3/4	7-1/4	CTC-2435814	329.73
EJECTOR							
2PS1-UP; 1EB1-UP							
	1U0408			4	6-1/2	CTC-2460641	670.48
FLOOR							
2PS1-UP; 1EB1-UP							
	2T3616		P-UB-10	3	6-1/4	CTC-SK100052	186.12

CATERPILLAR®

REPLACEMENT KITS FOR CATERPILLAR® EQUIPMENT

Scrapers							
APPLICATION	CYL #	Misc-Parts, Instructions, etc.	CODE	ROD	BORE	KIT #	List \$
MODEL 633E II							
LOAD							
2PS1-UP; 1EB1-UP							
	1083591			2-1/2	6-1/2	CTC-2435803	302.17
SERVO							
2PS1-UP; 1EB1-UP							
	9T6685		I-U-10	3/4	1-1/2	CTC-3651382	48.95
STEERING							
2PS1-UP; 1EB1-UP							
	3G7607		P-UB-10	2-3/4	6-1/2	CTC-2355804	274.14
MODEL 633SC							
BOWL							
	1313223		P-UB-10	2-3/4	7-1/4	CTC-7X2687	282.70
EJECTOR							
	1U0408		P-UB-10	4	6-1/2	CTC-7X2765	323.31
LIFT							
	3G9677		P-UB-10	2-3/4	7-1/4	CTC-7X2687	282.70
LOAD							
	7J3386		P-UB-10	2-1/2	6	CTC-7X2836	204.35
STEERING							
	5J7806		P-UB-10	2-1/2	6-1/2	CTC-8T1376	109.10
	6J1516		P-UB-10	2-1/2	6-1/2	CTC-8T1376	109.10
	8J3544		P-UB-10	2-1/2	6-1/2	CTC-8T1376	109.10
STEERING RH							
	7J1693		P-UB-10	2-1/2	6-1/2	CTC-8T1376	109.10
MODEL 637B							
APRON							
	8J5931		P-UB-10	3	8-1/4	CTC-7X2695	441.94
BOWL LIFT							
	7J2395		P-UB-10	2-3/4	7-1/4	CTC-7X2687	282.70
	7J2396		P-UB-10	2-3/4	7-1/4	CTC-7X2687	282.70
EJECTOR							
	6J5824		P-V-10	6	8-1/4	CTC-8T1415	405.78
MODEL 637E II							
ACCUMULATOR							
1FB1-331; 1JB1-431; 1HB1-UP; 1LB1-UP; 7CB1-UP							
			N-N-10		5	CTC-SK100057	41.94
1FB332-547, 660-UP; 1JB432-UP; 1HB1-UP; 1LB1-UP; 7CB1-UP							
			N-N-10		5	CTC-SK100059	104.27
APRON							
1FB1-UP; 1JB1-UP; 1HB1-UP; 1LB1-UP; 7CB1-UP							
	8J5931			3	8-1/4	CTC-2442069	442.44
BAIL							
1FB374-UP; 1JB1-UP; 1HB1-UP; 1LB1-UP; 7CB1-UP							
	4T5638		P-UB-10	1-3/4	3	CTC-2402016	56.96
BOWL							
1FB1-UP; 1JB1-UP; 1HB1-414; 1LB1-667; 7CB1-83							
	9J0408			2-3/4	7-1/4	CTC-2435820	306.07
	9J0409			2-3/4	7-1/4	CTC-2435820	306.07
1FB1-UP; 1JB1-UP; 1HB415-UP; 1LB668-UP; 7CB84-UP							
	9J0408			2-3/4	7-1/4	CTC-2435814	329.73
	9J0409			2-3/4	7-1/4	CTC-2435814	329.73

REPLACEMENT KITS FOR CATERPILLAR® EQUIPMENT

Scrapers							
APPLICATION	CYL #	Misc-Parts, Instructions, etc.	CODE	ROD	BORE	KIT #	List \$
MODEL 637E II							
EJECTOR							
1FB1-UP; 1JB1-UP; 1HB1-UP; 1LB1-UP; 7CB1-UP							
6E0897	Head 4T9318		I-U-10	6	8-1/4	CTC-1891778	683.29
6E0897	Head 1715908			6	8-1/4	CTC-2463442	951.18
6E0905	Head 4T9318		I-U-10	6	8-1/4	CTC-1891778	683.29
6E0905	Head 1715908			6	8-1/4	CTC-2463442	951.18
6J5824	Head 4T9318		I-U-10	6	8-1/4	CTC-1891778	683.29
9T3595	Head 4T9318		I-U-10	6	8-1/4	CTC-1891778	683.29
9T4887	Head 4T9318		I-U-10	6	8-1/4	CTC-1891778	683.29
LOAD							
1FB1-342; 1JB1-510; 1HB1-UP; 1LB1-UP; 7CB1-UP							
8J9959				2-1/2	6-1/2	CTC-2435797	283.15
1FB343-367; 1JB511-665; 1HB1-UP; 1LB1-UP; 7CB1-UP							
8J9959				2-1/2	6-1/2	CTC-2435803	302.17
1FB368-563; 1JB666-UP; 1HB1-UP; 1LB1-UP; 7CB1-UP							
8J9959			P-SP-10	2-1/2	6-1/2	CTC-9X6024	210.45
1FB564-UP; 1HB1-UP; 1LB1-UP; 7CB1-UP							
1083591				2-1/2	6-1/2	CTC-2435803	302.17
SERVO							
1FB1-UP; 1JB1-UP; 1HB1-UP; 1LB1-UP; 7CB1-UP							
4T9364			I-U-10	3/4	1-1/2	CTC-3651382	48.95
9T6685			I-U-10	3/4	1-1/2	CTC-3651382	48.95
STEERING							
1FB1-UP; 1JB1-UP; 1HB1-409; 1LB1-624; 7CB1-81							
3G7607	Head 9J5605		P-UB-10	2-3/4	6-1/2	CTC-2355802	99.61
1FB1-UP; 1JB1-UP; 1HB1-UP; 1LB1-UP; 7CB1-UP							
3G7607	Head 9T6861		P-UB-10	2-3/4	6-1/2	CTC-2355804	274.14
MODEL 637G							
APRON							
AXT1-UP; CEH1-UP; DFJ1-UP; AWE1-UP; AYN1-UP; CEJ1-UP; CEM1-UP; DEX1-UP; DEY1-UP							
8J5931				3	8-1/4	CTC-2442069	442.44
BAIL							
AXT1-UP; CEH1-UP; DFJ1-UP; AWE1-UP; AYN1-UP; CEJ1-UP; CEM1-UP; DEX1-UP; DEY1-UP							
1677434			P-UB-10	1-3/4	3	CTC-2275350	45.88
BOWL							
AXT1-UP; CEH1-UP; DFJ1-UP; AWE1-UP; AYN1-UP; CEJ1-UP; CEM1-UP; DEX1-UP; DEY1-UP							
9J0408				2-3/4	7-1/4	CTC-2435814	329.73
9J0409				2-3/4	7-1/4	CTC-2435814	329.73
EJECTOR							
AXT1-UP; CEH1-UP; DFJ1-UP; AWE1-UP; AYN1-UP; CEJ1-UP; CEM1-UP; DEX1-UP; DEY1-UP							
6E0897				6	8-1/4	CTC-2463442	951.18
LOAD							
AXT1-UP; CEH1-UP; DFJ1-UP; AWE1-UP; AYN1-UP; CEJ1-UP; CEM1-UP; DEX1-UP; DEY1-UP							
1083591				2-1/2	6-1/2	CTC-2435803	302.17
SERVO							
AXT1-UP; CEH1-UP; DFJ1-UP; AWE1-UP; AYN1-UP; CEJ1-UP; CEM1-UP; DEX1-UP; DEY1-UP							
9T6685			I-U-10	3/4	1-1/2	CTC-3651382	48.95
STEERING							
AXT1-UP; CEH1-UP; DFJ1-UP; AWE1-UP; AYN1-UP; CEJ1-UP; CEM1-UP; DEX1-UP; DEY1-UP							
3G7607			P-UB-10	2-3/4	6-1/2	CTC-2355804	274.14
MODEL 637SC							
APRON							
8J5931			P-UB-10	3	8-1/4	CTC-7X2695	441.94
BAIL							
7J2377			P-U-10	2	3-1/2	CTC-7X2806	166.43
8J6064			P-U-10	2	3-1/2	CTC-7X2806	166.43

CATERPILLAR®

REPLACEMENT KITS FOR CATERPILLAR® EQUIPMENT

Scrapers							
APPLICATION	CYL #	Misc-Parts, Instructions, etc.	CODE	ROD	BORE	KIT #	List \$
MODEL 637SC							
EJECTOR							
	6E0897		I-U-10	6	8-1/4	CTC-1180672	696.50
	6E0905		I-U-10	6	8-1/4	CTC-1180672	696.50
	6J5824		I-U-10	6	8-1/4	CTC-1180672	696.50
	6J5824		P-V-10	6	8-1/4	CTC-8T1415	405.78
	9T3595		I-U-10	6	8-1/4	CTC-1180672	696.50
	9T4887		I-U-10	6	8-1/4	CTC-1180672	696.50
LIFT LH							
	7J2396		P-UB-10	2-3/4	7-1/4	CTC-7X2687	282.70
	9J0409		P-UB-10	2-3/4	7-1/4	CTC-7X2687	282.70
LIFT RH							
	7J2395		P-UB-10	2-3/4	7-1/4	CTC-7X2687	282.70
	9J0408		P-UB-10	2-3/4	7-1/4	CTC-7X2687	282.70
LOAD							
	7J3386		P-UB-10	2-1/2	6	CTC-7X2836	204.35
STEERING							
	3G7607		P-UB-10	2-3/4	6-1/2	CTC-7X2689	220.86
	5J7806		P-UB-10	2-1/2	6-1/2	CTC-8T1376	109.10
MODEL 639SC							
EJECTOR							
	3G2949		P-UB-10	2-1/2	4-1/2	CTC-7X2667	131.03
LIFT							
	3G9677		P-UB-10	2-3/4	7-1/4	CTC-7X2687	282.70
MODEL 641SC							
BOWL							
	6J1983		P-UB-10	3	8-1/4	CTC-7X2695	441.94
BOWL LH							
	7J4364		P-UB-10	3	8-1/4	CTC-7X2695	441.94
BOWL RH							
	7J4363		P-UB-10	3	8-1/4	CTC-7X2695	441.94
LOAD							
	5J8623		P-UB-10	3-1/2	8-1/4	CTC-7X2728	239.96
	7J4623		P-UB-10	3-1/2	8-1/4	CTC-7X2725	425.68
MODEL 651C							
APRON							
	5J8117		P-UB-10	3-1/4	9-1/4	CTC-7X2708	279.54
STEERING							
	3G9689		P-UB-10	2-3/4	7-1/4	CTC-7X2687	282.70
	5J8149		P-UB-10	2-3/4	7-1/4	CTC-7X2687	282.70
MODEL 651E							
APRON							
	3G8621		P-UB-10	3-1/4	9-1/4	CTC-7X2708	279.54
	4YR1-UP; 89Z1-UP; 5XR1-UP; 88Z205-UP						
	3G8621			3-1/4	9-1/4	CTC-2450603	508.44
	4YR1-UP; 89Z1-UP; 88Z1-204						
	3G8621			3-1/4	9-1/4	CTC-2450602	485.39
BOWL LH							
	4YR1-UP; 89Z1-UP; 5XR1-UP; 88Z160-UP						
	4T5735			3-1/4	9-1/4	CTC-2450609	386.12
	4YR1-UP; 89Z1-UP; 88Z1-159						
	4T5735			3-1/4	9-1/4	CTC-2450607	372.57
BOWL LIFT							
	4T5735		P-UB-10	3-1/4	9-1/4	CTC-7X2716	218.92
	4T5736		P-UB-10	3-1/4	9-1/4	CTC-7X2716	218.92
BOWL RH							
	4YR1-UP; 89Z1-UP; 5XR1-UP; 88Z156-UP						
	4T5736			3-1/4	9-1/4	CTC-2450609	386.12

REPLACEMENT KITS FOR CATERPILLAR® EQUIPMENT

Scrapers							
APPLICATION	CYL #	Misc-Parts, Instructions, etc.	CODE	ROD	BORE	KIT #	List \$
MODEL 651E							
BOWL RH							
4YR1-UP; 89Z1-UP; 88Z1-155							
	4T5736			3-1/4	9-1/4	CTC-2450607	372.57
CUSHION HITCH							
	3G8757		P-UB-10	3-1/2	8-1/4	CTC-7X2724	278.68
EJECTOR							
4YR1-UP; 89Z1-UP; 5XR1-UP; 88Z1-UP							
	3G8617		I-U-10	7-1/4	10-1/4	CTC-1891796	990.26
4YR1-UP; 89Z1-UP; 5XR207-UP							
	3G8827		I,P-UB-10	4-1/2,6-3/4	6,7-3/4	CTC-2456819	1220.85
4YR1-UP; 89Z1-UP; 88Z1-UP							
	3G8617		P-V-10	7-1/4	10-1/4	CTC-2481193	853.57
LOAD							
	3G8757		P-UB-10	3-1/2	8-1/4	CTC-7X2724	278.68
4YR1-UP; 89Z1-UP; 5XR1-UP; 88Z1-UP							
	3G8757	Head 9T5702	P-UB-10	3-1/2	8-1/4	CTC-2456830	306.37
	3G8757	Head 1627522	P-UB-10	3-1/2	8-1/4	CTC-SK100051	245.37
PUMP							
4YR; 25W; 58K; 65K; 66K; 67K; 68K							
	9J5044					CTC-9J5108	55.04
SERVO							
4YR1-UP; 89Z1-UP; 5XR1-UP; 88Z1-UP							
	1U3895		I-U-10	3/4	1-1/2	CTC-3651382	48.95
	4T9364		I-U-10	3/4	1-1/2	CTC-3651382	48.95
	9T6685		I-U-10	3/4	1-1/2	CTC-3651382	48.95
STEERING							
	3G5516		P-UB-10	3-1/4	7-1/4	CTC-7X2718	265.45
	3G9689		P-UB-10	2-3/4	7-1/4	CTC-7X2687	282.70
	4T8563		P-UB-10	3-1/4	7-1/4	CTC-7X2718	265.45
89Z1-129; 88Z115-172							
	3G5516			3-1/4	7-1/4	CTC-2450613	311.25
	4T8563			3-1/4	7-1/4	CTC-2450613	311.25
89Z130-UP; 5XR1-UP; 88Z173-UP							
	4T8563			3-1/4	7-1/4	CTC-2450614	303.58
MODEL 651SC							
APRON							
	3G8621		P-UB-10	3-1/4	9-1/4	CTC-7X2708	279.54
BOWL							
	7J4398		P-UB-10	3-1/4	9-1/4	CTC-7X2716	218.92
BOWL LH							
	4T5735		P-UB-10	3-1/4	9-1/4	CTC-7X2716	218.92
LOAD							
	5J8623		P-UB-10	3-1/2	8-1/4	CTC-7X2728	239.96
	7J4623		P-UB-10	3-1/2	8-1/4	CTC-7X2725	425.68
STEERING							
	4T8563		P-UB-10	3-1/4	7-1/4	CTC-7X2718	265.45
MODEL 657E							
APRON							
	3G8621		P-UB-10	3-1/4	9-1/4	CTC-7X2708	279.54
5YR1-UP; 6TR1-UP; 90Z1-UP; 91Z1-UP; 6MB1-108; 86Z1-311; 87Z1-UP							
	3G8621			3-1/4	9-1/4	CTC-2450602	485.39
5YR1-UP; 6TR1-UP; 90Z1-UP; 91Z1-UP; 6PR1-UP; 6MB109-UP; 7KR1-UP; 86Z312-UP							
	3G8621			3-1/4	9-1/4	CTC-2450603	508.44
BAIL							
	4T5638		P-UB-10	1-3/4	3	CTC-7X2791	121.52
	8J8458		P-UB-10	1-1/2	3-1/2	CTC-7X2752	130.85

CATERPILLAR®

REPLACEMENT KITS FOR CATERPILLAR® EQUIPMENT

Scrapers							
APPLICATION	CYL #	Misc-Parts, Instructions, etc.	CODE	ROD	BORE	KIT #	List \$
MODEL 657E							
BAIL							
5YR1-UP; 91Z196-UP; 6MB1-UP; 6PR1-UP; 7KR1-UP; 86Z1-UP; 87Z1-UP							
4T5638			P-UB-10	1-3/4	3	CTC-2402016	56.96
91Z1-195; 6MB1-UP; 6PR1-UP; 7KR1-UP; 86Z1-UP; 87Z1-UP							
8J8458			P-UB-10	1-1/2	3-1/2	CTC-2465914	106.42
BOWL LIFT							
4T5735			P-UB-10	3-1/4	9-1/4	CTC-7X2716	218.92
4T5736			P-UB-10	3-1/4	9-1/4	CTC-7X2716	218.92
5YR1-UP; 6TR1-UP; 90Z1-UP; 91Z1-UP; 6MB1-92; 86Z1-242; 87Z1-UP							
4T5735				3-1/4	9-1/4	CTC-2450607	372.57
4T5736				3-1/4	9-1/4	CTC-2450607	372.57
5YR1-UP; 6TR1-UP; 90Z1-UP; 91Z1-UP; 6MB93-UP; 6PR1-UP; 7KR1-UP; 86Z243-UP							
4T5735				3-1/4	9-1/4	CTC-2450609	386.12
4T5736				3-1/4	9-1/4	CTC-2450609	386.12
CUSHION HITCH							
3G8757			P-UB-10	3-1/2	8-1/4	CTC-7X2724	278.68
EJECTOR							
9T4886			P-U-10	4-1/2	6	CTC-8C6958	355.11
9T4887			I-U-10	6	8-1/4	CTC-1180672	696.50
9T4887			P-V-10	6	8-1/4	CTC-8T1415	405.78
5YR1-UP; 6TR1-UP; 90Z1-UP; 91Z1-UP; 6MB1-UP; 6PR1-UP; 7KR1-UP; 86Z1-UP; 87Z1-UP							
			I,P-UB-10	4-1/2,6-3/4	6,7-3/4	CTC-2456819	1220.85
5YR1-UP; 6TR1-UP; 90Z1-UP; 91Z1-UP; 6MB1-UP; 86Z1-UP							
9T4886			P-U-10	4-1/2	6	CTC-8C6958	355.11
LOAD							
3G8757			P-UB-10	3-1/2	8-1/4	CTC-7X2724	278.68
5YR1-UP; 6TR1-UP; 90Z1-UP; 91Z1-UP; 6MB1-UP; 6PR1-UP; 7KR1-UP; 86Z1-UP; 87Z1-UP							
3G8757			P-UB-10	3-1/2	8-1/4	CTC-2456830	306.37
SERVO							
5YR1-UP; 6TR1-UP; 90Z1-UP; 91Z1-UP; 6MB1-UP; 6PR1-UP; 7KR1-UP; 86Z1-UP; 87Z1-UP							
1U3895			I-U-10	3/4	1-1/2	CTC-3651382	48.95
4T9364			I-U-10	3/4	1-1/2	CTC-3651382	48.95
9T6685			I-U-10	3/4	1-1/2	CTC-3651382	48.95
STEERING							
3G5516			P-UB-10	3-1/4	7-1/4	CTC-7X2718	265.45
4T8563			P-UB-10	3-1/4	7-1/4	CTC-7X2718	265.45
5YR1-UP; 6TR1-UP; 90Z1-UP; 91Z1-UP; 6MB102-UP; 6PR1-UP; 7KR1-UP; 86Z275-UP							
4T8563				3-1/4	7-1/4	CTC-2450614	303.58
91Z1-244; 6MB73-101; 86Z145-274; 87Z1-UP; 90Z1-179							
3G5516				3-1/4	7-1/4	CTC-2450613	311.25
4T8563				3-1/4	7-1/4	CTC-2450613	311.25
MODEL 657G							
APRON							
A4G1-UP; W1B1-UP; W1C1-UP; GER1-UP; W1E1-UP; W1F1-UP							
				3-1/4	9-1/4	CTC-2450603	508.44
BAIL							
W1C1-UP; GER1-UP; W1E1-UP; W1F1-UP							
			P-UB-10	1-3/4	3	CTC-2275350	45.88
BOWL							
A4G1-UP; W1B1-UP; W1C1-UP; GER1-UP; W1E1-UP; W1F1-UP							
				3-1/4	9-1/4	CTC-2450609	386.12
EJECTOR							
A4G1-UP; W1B1-UP; W1C1-UP; GER1-UP							
			P-U-10	4-1/2	6	CTC-8C6958	355.11
A4G1-UP; W1B1-UP; W1C1-UP; W1F1-UP							
			I,P-UB-10	4-1/2,6-3/4	6,7-3/4	CTC-2456819	1220.85

REPLACEMENT KITS FOR CATERPILLAR® EQUIPMENT

Scrapers							
APPLICATION	CYL #	Misc-Parts, Instructions, etc.	CODE	ROD	BORE	KIT #	List \$
MODEL 657G							
LOAD							
	A4G1-UP; W1B1-UP; W1C1-UP; GER1-UP; W1E1-UP; W1F1-UP						
			P-UB-10	3-1/2	8-1/4	CTC-2456830	306.37
SERVO							
	A4G1-UP; W1B1-UP; W1C1-UP; GER1-UP; W1E1-UP; W1F1-UP						
			I-U-10	3/4	1-1/2	CTC-3651382	48.95
STEERING							
	A4G1-UP; W1B1-UP; W1C1-UP; GER1-UP; W1E1-UP; W1F1-UP						
				3-1/4	7-1/4	CTC-2450614	303.58
MODEL 657SC							
APRON							
	3G8621		P-UB-10	3-1/4	9-1/4	CTC-7X2708	279.54
	5J8117		P-UB-10	3-1/4	9-1/4	CTC-7X2708	279.54
BAIL							
	7J2377		P-U-10	2	3-1/2	CTC-7X2806	166.43
	8J6062		P-U-10	2	3-1/2	CTC-7X2806	166.43
	8J8457		P-UB-10	1-1/2	3-1/2	CTC-7X2752	130.85
BOWL							
	7J4398		P-UB-10	3-1/4	9-1/4	CTC-7X2716	218.92
BOWL LH							
	4T5735		P-UB-10	3-1/4	9-1/4	CTC-7X2716	218.92
BOWL RH							
	7J4397		P-UB-10	3-1/4	9-1/4	CTC-7X2716	218.92
LOAD							
	5J8623		P-UB-10	3-1/2	8-1/4	CTC-7X2728	239.96
	7J4623		P-UB-10	3-1/2	8-1/4	CTC-7X2725	425.68
STEERING							
	4T8563		P-UB-10	3-1/4	7-1/4	CTC-7X2718	265.45
MODEL 660SC, 666SC							
BOWL LH							
	7J4356		P-UB-10	3-1/4	9-1/4	CTC-7X2716	218.92
Skidders							
APPLICATION	CYL #	Misc-Parts, Instructions, etc.	CODE	ROD	BORE	KIT #	List \$
MODEL 515, 525							
LIFT							
	1117951		P-UB-10	2	4	CTC-1113302	163.17
	1397547		P-UB-10	2	4	CTC-1113302	163.17
MODEL 517							
ANGLING							
	1006174		P-UB-10	1-3/4	3-1/2	CTC-7X2784	77.28
LIFT							
	6E0365		P-UB-10	2	4-1/4	CTC-7X2819	144.19
TILT							
	9T9557		P-UB-10	2	4-1/4	CTC-1378662	176.06
MODEL 518C, 520D, 522C							
LIFT							
	1117951		P-UB-10	2	4	CTC-1113302	163.17
	1397547		P-UB-10	2	4	CTC-1113302	163.17
	7J8925	518C & 522C only	P-UB-10	2	4	CTC-1328816	127.22
STEERING LH							
	7J3350		P-UB-10	1-3/4	3	CTC-7X2825	73.65
STEERING RH							
	7J3349		P-UB-10	1-3/4	3	CTC-7X2825	73.65
MODEL 520C							
LIFT							
	7J8925		P-UB-10	2	4	CTC-7X2789	139.93

REPLACEMENT KITS FOR CATERPILLAR® EQUIPMENT

Skidders							
APPLICATION	CYL #	Misc-Parts, Instructions, etc.	CODE	ROD	BORE	KIT #	List \$
MODEL 520C							
STEERING RH							
	7J3349		P-UB-10	1-3/4	3	CTC-7X2791	121.52
MODEL 525B							
LIFT							
	1600492		P-UB-10	2-1/4	4	CTC-1546526	196.04
MODEL 527							
LIFT							
	1418640		P-UB-10	2-1/4	3-3/4	CTC-1361897	184.83
	1607610		P-UB-10	2-1/2	4-3/4	CTC-1328811	209.77
	6E0366		P-UB-10	2-1/2	4-3/4	CTC-1328811	209.77
MODEL 528B							
DOZER							
	7J9902		P-UB-10	2	4-1/4	CTC-7X2819	144.19
STEERING LH							
	9J5856		P-UB-10	1-3/4	3-3/4	CTC-1329361	59.40
STEERING RH							
	9J5854		P-UB-10	1-3/4	3-3/4	CTC-1329361	59.40
MODEL 530B							
DOZER							
	7J9902		P-UB-10	2	4-1/4	CTC-7X2819	144.19
LIFT							
	7J9902		P-UB-10	2	4-1/4	CTC-7X2819	144.19
STEERING							
	9J5854		P-UB-10	1-3/4	3-3/4	CTC-1329361	59.40
	9J5856		P-UB-10	1-3/4	3-3/4	CTC-1329361	59.40
MODEL 535B, 545							
LIFT							
	1600492		P-UB-10	2-1/4	4	CTC-1546526	196.04
MODEL FB508							
GRAPPLE							
	4T0860		P-UB-10	1-1/2	3-1/4	CTC-7X2741	99.43
	4T0861		P-UB-10	1-1/2	3-1/4	CTC-7X2741	99.43
	9T5924		P-UB-10	1-1/2	3-1/4	CTC-7X2741	99.43
MODEL FB518							
LIFT							
	9T1773		P-UB-10	2-1/2	5	CTC-7X2658	230.88
STEERING							
	7J3349		P-UB-10	1-3/4	3	CTC-7X2791	121.52
	7J3350		P-UB-10	1-3/4	3	CTC-7X2791	121.52
TILT LH							
	9T1777		P-UB-10	2-1/4	4-1/4	CTC-7X2750	156.90
TILT RH							
	9T1772		P-UB-10	2-1/4	4-1/4	CTC-7X2750	156.90
Soil Compactors							
APPLICATION	CYL #	Misc-Parts, Instructions, etc.	CODE	ROD	BORE	KIT #	List \$
MODEL 815							
LIFT							
	3G0881		P-UB-10	2	4	CTC-7X2789	139.93
	8J6809		P-UB-10	2	4	CTC-7X2755	156.44
	8J8756		P-UB-10	2	4	CTC-7X2789	139.93
LIFT RH							
	4J7859		P-UB-10	2	4	CTC-7X2755	156.44
PUMP							
	15R; 57U; 91P						
	9J5067					CTC-9J5114	36.87

REPLACEMENT KITS FOR CATERPILLAR® EQUIPMENT

Soil Compactors							
APPLICATION	CYL #	Misc-Parts, Instructions, etc.	CODE	ROD	BORE	KIT #	List \$
MODEL 815							
STEERING							
	4T1574		P-UB-10	2	4	CTC-1328816	127.22
	4T1574		P-UB-10	2	4	CTC-7X2789	139.93
	7J6054		P-UB-10	2	4	CTC-7X2755	156.44
STEERING LH							
	7J9356		P-UB-10	2	4	CTC-7X2755	156.44
STEERING RH							
	7J9355		P-UB-10	2	4	CTC-7X2755	156.44
TILT							
	1U1988		P-UB-10	2	4	CTC-7X2755	156.44
MODEL 815B							
LIFT							
	3G0881		P-UB-10	2	4	CTC-1328816	127.22
	8J6809		P-UB-10	2	4	CTC-7X2755	156.44
STEERING							
	4T1574		P-UB-10	2	4	CTC-1328816	127.22
	6E5024		P-UB-10	2	4	CTC-1113302	163.17
TILT							
	1U1988		P-UB-10	2	4	CTC-7X2755	156.44
MODEL 815F							
LIFT							
	3G0881		P-UB-10	2	4	CTC-1328816	127.22
STEERING							
	4T1574		P-UB-10	2	4	CTC-1328816	127.22
	6E5024		P-UB-10	2	4	CTC-1113302	163.17
MODEL 815S							
TILT							
	1U1988		P-UB-10	2	4	CTC-7X2755	156.44
MODEL 825							
LIFT							
	8J2650		P-UB-10	2	4-1/2	CTC-7X2768	121.61
	9J7934		P-UB-10	2	4-1/2	CTC-7X2768	121.61
STEERING LH							
	9J7087		P-UB-10	2-1/4	5	CTC-7X2729	222.67
STEERING RH							
	9J7086		P-UB-10	2-1/4	5	CTC-7X2729	222.67
TILT							
	9J7951		P-UB-10	2	4-1/2	CTC-7X2768	121.61
MODEL 825B							
LIFT							
	4J9233		P-V-10	2	4-1/2	CTC-7X2770	134.35
	7J9818		P-UB-10	3	7-1/4	CTC-7X2699	282.79
	8J2650		P-UB-10	2	4-1/2	CTC-7X2768	121.61
	9J7934		P-UB-10	2	4-1/2	CTC-7X2768	121.61
STEERING							
	6J7590		P-UB-10	2-1/4	5	CTC-7X2729	222.67
	7J9718		P-UB-10	2-1/4	5	CTC-7X2729	222.67
	7K9401		P-UB-10	2-1/4	5	CTC-7X2729	222.67
STEERING LH							
	9J7087		P-UB-10	2-1/4	5	CTC-7X2729	222.67
STEERING RH							
	9J7086		P-UB-10	2-1/4	5	CTC-7X2729	222.67
TILT							
	9J7951		P-UB-10	2	4-1/2	CTC-7X2768	121.61

REPLACEMENT KITS FOR CATERPILLAR® EQUIPMENT

Soil Compactors							
APPLICATION	CYL #	Misc-Parts, Instructions, etc.	CODE	ROD	BORE	KIT #	List \$
MODEL 825C							
LIFT							
	7J9818		P-UB-10	3	7-1/4	CTC-7X2699	282.79
	8J2650		P-UB-10	2	4-1/2	CTC-7X2768	121.61
	9J7934		P-UB-10	2	4-1/2	CTC-7X2768	121.61
STEERING LH							
	9J7087		P-UB-10	2-1/4	5	CTC-9X6392	219.47
STEERING RH							
	9J7086		P-UB-10	2-1/4	5	CTC-9X6392	219.47
TILT							
	9J7951		P-UB-10	2	4-1/2	CTC-7X2768	121.61
MODEL 825G							
LIFT							
	1199226		P-UB-10	2-1/4	3-3/4	CTC-1361897	184.83
	1447349		P-UB-10	2-1/4	3-3/4	CTC-1361897	184.83
	1493236		P-UB-10	2-1/4	3-3/4	CTC-1361897	184.83
STEERING							
	1175151		P-UB-10	2-1/2	4-1/2	CTC-1113300	187.32
TILT							
	1198863		P-UB-10	2	3-3/4	CTC-7X7938	143.47
MODEL 835							
LIFT							
	4J9233		P-V-10	2	4-1/2	CTC-7X2770	134.35
STEERING							
	7J9984		P-UB-10	2-1/4	5	CTC-7X2729	222.67
Telehandlers							
APPLICATION	CYL #	Misc-Parts, Instructions, etc.	CODE	ROD	BORE	KIT #	List \$
MODEL TH62, TH63, TH82, TH83							
MULTIPURPOSE BUCKET							
	9T4006		P-UB-10	1-1/2	3	CTC-1856583	62.81
UNSPECIFIED APPLICATION							
	9T4006		P-UB-10	1-1/2	3	CTC-7X2737	148.96
MODEL TH355B							
AXLE LOCK							
	SLE1- 2050055		P-U-10	2	100 mm	CTC-4394536	104.35
BOOM							
	SLE1-4499 2028910		P-U-10	4	5-1/4	CTC-4394330	186.94
	SLE1-4499; JRK1- 2251846		P-U-10	4	5-1/4	CTC-2251846K	191.14
	SLE4500- 2533933		P-U-10	4	5-1/4	CTC-2533933K	191.14
	2533964		P-U-10	4	5-1/4	CTC-2533964K	191.14
BUCKET MULTIPURPOSE							
	SLE1-; JRK1- 9T4006		P-UB-10	1-1/2	3	CTC-1856583	62.81
CARRIAGE - Side Shift							
	SLE1-; JRK1- 2245091		P-UB-10	1-1/2	3	CTC-2245091K	45.97
COUPLER							
	SLE1- 2364442		P-U-10	25 mm	50 mm	CTC-2392956	46.25
FORK							
	SLE1-; JRK1- 2799336		P-U-10	75 mm	125 mm	CTC-2799336K	198.90

REPLACEMENT KITS FOR CATERPILLAR® EQUIPMENT

Telehandlers							
APPLICATION	CYL #	Misc-Parts, Instructions, etc.	CODE	ROD	BORE	KIT #	List \$
MODEL TH355B							
FRAME LEVELING							
SLE4500-; JRK1-							
	2047813		P-U-10	2	100 mm	CTC-4394536	104.35
STABILIZER							
SLE1-							
	2598723		P-U-10	55 mm	115 mm	CTC-2598723K	155.59
SLE1-; JRK1-							
	2072068		P-U-10	55 mm	125 mm	CTC-4395349	200.12
STEERING							
SLE1-; JRK1-							
	2167483		I-U-10	38 mm	85 mm	CTC-2172886	185.27
TAIL GATE							
SLE1-							
	2037847	HEAD 2037855	P-U-10	45 mm	75 mm	CTC-2037847K2	74.07
SLE1-; JRK1-							
	2037847	HEAD 1662843	P-U-10	45 mm	75 mm	CTC-4398573	64.13
TELESCOPING							
SLE1-1231							
	2319220		P-U-10	70 mm	100 mm	CTC-2331014	110.17
SLE1232-							
	2413160		P-U-10	70 mm	100 mm	CTC-2331014	110.17
TILT							
SLE1-; JRK1-							
	2037756		P-U-10	75 mm	125 mm	CTC-4393847	194.53
MODEL TH360B							
AXLE LOCK							
SLE1-							
	2050055		P-U-10	2	100 mm	CTC-4394536	104.35
BOOM							
SLE1-4499							
	2028910		P-U-10	4	5-1/4	CTC-4394330	186.94
SLE1-4499; JRK1-							
	2251846		P-U-10	4	5-1/4	CTC-2251846K	191.14
SLE4500-							
	2533933		P-U-10	4	5-1/4	CTC-2533933K	191.14
	2533964		P-U-10	4	5-1/4	CTC-2533964K	191.14
BUCKET MULTIPURPOSE							
SLE1-; JRK1-							
	9T4006		P-UB-10	1-1/2	3	CTC-1856583	62.81
CARRIAGE - Side Shift							
SLE1-; JRK1-							
	2245091		P-UB-10	1-1/2	3	CTC-2245091K	45.97
COUPLER							
SLE1-							
	2364442		P-U-10	25 mm	50 mm	CTC-2392956	46.25
FORK							
SLE1-; JRK1-							
	2799336		P-U-10	75 mm	125 mm	CTC-2799336K	198.90
FRAME LEVELING							
SLE4500-; JRK1-							
	2047813		P-U-10	2	100 mm	CTC-4394536	104.35
STABILIZER							
SLE1-							
	2598723		P-U-10	55 mm	115 mm	CTC-2598723K	155.59
SLE1-; JRK1-							
	2072068		P-U-10	55 mm	125 mm	CTC-4395349	200.12

CATERPILLAR®

REPLACEMENT KITS FOR CATERPILLAR® EQUIPMENT

Telehandlers							
APPLICATION	CYL #	Misc-Parts, Instructions, etc.	CODE	ROD	BORE	KIT #	List \$
MODEL TH360B							
STEERING							
SLE1-; JRK1-							
	2167483		I-U-10	38 mm	85 mm	CTC-2172886	185.27
TAIL GATE							
SLE1-							
	2037847	HEAD 2037855	P-U-10	45 mm	75 mm	CTC-2037847K2	74.07
SLE1-; JRK1-							
	2037847	HEAD 1662843	P-U-10	45 mm	75 mm	CTC-4398573	64.13
TELESCOPING							
SLE1-1231							
	2319220		P-U-10	70 mm	100 mm	CTC-2331014	110.17
SLE1232-							
	2413160		P-U-10	70 mm	100 mm	CTC-2331014	110.17
TILT							
SLE1-; JRK1-							
	2037756		P-U-10	75 mm	125 mm	CTC-4393847	194.53
MODEL TL642							
CARRIAGE - Dual Fork Positioning							
TBK00100-							
	4179881		I-U-4	1-1/8	2	CTC-4179889	126.63
CARRIAGE - Side Shift							
TBK00100-							
	3622120		I-U-10	1-1/4	2-1/2	CTC-3276314	24.43
CARRIAGE - Swing							
TBK00100-							
	3755001		I-U-10	1-1/4	2-1/2	CTC-3276314	24.43
OUTRIGGER							
Before TBK01162							
	2991323	Head 3052089, Piston 3052088	P-UB-10	2-1/2	5	CTC-2991323K1	70.04
TBK01162-							
	2991323	Head 4176015, Piston 4176009	I-U-10	2-1/2	5	CTC-4176026	95.88
QUICK COUPLER							
TBK00100-							
	2953419		P-U-10	25 mm	50 mm	CTC-3056015	56.46
MODEL TL943							
CARRIAGE - Dual Fork Positioning							
TBL00100-							
	4179881	Kit includes Rod Gland.	I-U-4	1-1/8	2	CTC-4179889	126.63
CARRIAGE - Side Shift							
TBL00100-							
	3622120		I-U-10	1-1/4	2-1/2	CTC-3276314	24.43
CARRIAGE - Swing							
TBL00100-							
	3755001		I-U-10	1-1/4	2-1/2	CTC-3276314	24.43
COMPENSATING							
Before TBL00990							
	2988649		P-UB-14	2-1/2	5-1/2	CTC-2990530	245.17
TBL00990-							
	3249539		P-UB-14	2-1/2	5-1/2	CTC-3249539K	225.01
CROWD							
Before TBL01001							
	2988618		P-UB-14	3	4	CTC-2990516	178.31
TBL01001-							
	3248347		P-UB-14	3	4	CTC-3858057	118.08

REPLACEMENT KITS FOR CATERPILLAR® EQUIPMENT

Telehandlers							
APPLICATION	CYL #	Misc-Parts, Instructions, etc.	CODE	ROD	BORE	KIT #	List \$
MODEL TL943							
LIFT							
Before TBL00970							
2988627			P-UB-14	3-3/4	7	CTC-2990515	293.65
TBL00970-01598, excluding 01551, 01585							
3249540			P-UB-14	3-3/4	7	CTC-3631202	273.92
TBL01599-, including 01551, 01585							
3612843			P-UB-14	3-3/4	7	CTC-3631202	273.92
3612867			P-UB-14	3-3/4	7	CTC-3631202	273.92
OUTRIGGER							
Before TBL01591, excluding 1585							
2991323	Head 3052089, Piston 3052088		P-UB-10	2-1/2	5	CTC-2991323K1	70.04
TBL01591-, including 1585							
2991323	Head 4176015, Piston 4176009		I-U-10	2-1/2	5	CTC-4176026	95.88
QUICK COUPLER							
TBL00100-							
2953419			P-U-10	25 mm	50 mm	CTC-3056015	56.46
STEERING							
TBL00100-							
3052050			I-U-10	50 mm	100 mm	CTC-3044561	71.78
SWAY							
Before TBL00944							
2988626			P-UB-14	2	4	CTC-2990517	203.75
TBL00944-							
3248346			P-UB-14	2	4	CTC-3248346K	151.68
TILT							
Before TBL00970							
2988648			P-UB-14	2-1/2	5-1/2	CTC-2990529	220.06
TBL00970-							
3249541			P-UB-14	2-1/2	5-1/2	CTC-3249541K	205.87
MODEL TL1055							
CARRIAGE - Dual Fork Positioning							
TBM00100-							
4179881			I-U-4	1-1/8	2	CTC-4179889	126.63
CARRIAGE - Side Shift							
TBM00100-							
3622120			I-U-10	1-1/4	2-1/2	CTC-3276314	24.43
CARRIAGE - Swing							
TBM00100-							
3755001			I-U-10	1-1/4	2-1/2	CTC-3276314	24.43
COMPENSATING							
TBM00100-00556							
2988461			P-UB-14	2-1/2	5-3/4	CTC-3353866	310.36
TBM00557-00841, excluding 00839							
3250044			P-UB-14	2-1/2	5-3/4	CTC-3418115	410.08
TBM00842-01376, including 00839							
3313808			P-UB-14	2-1/2	5-3/4	CTC-3418115	410.08
TBM01377-							
3963661			P-U-14	2-1/2	5-3/4	CTC-4175758	231.82
CROWD							
TBM00100-00631							
2988459			P-UB-14	3	4-3/4	CTC-2990477	302.85
TBM00632-00809							
3250042			P-UB-14	3	4-3/4	CTC-3417059	257.60
TBM00810-01365							
3313806			P-UB-14	3	4-3/4	CTC-3417059	257.60

CATERPILLAR®

REPLACEMENT KITS FOR CATERPILLAR® EQUIPMENT

Telehandlers							
APPLICATION	CYL #	Misc-Parts, Instructions, etc.	CODE	ROD	BORE	KIT #	List \$
MODEL TL1055							
CROWD							
TBM01366-							
	4186275		P-UB-14	3	4-3/4	CTC-4186276	189.42
LIFT							
TBM00100-00604							
	2988462		P-UB-14	3-1/2	5-1/2	CTC-2990481	364.81
TBM00605-00823							
	3250045		P-UB-14	3-1/2	5-1/2	CTC-3418110	364.69
TBM00824-01380							
	3313805		P-UB-14	3-1/2	5-1/2	CTC-3418110	364.69
TBM01381-							
	3912076		P-UB-14	3-1/2	5-1/2	CTC-3912080	245.41
OUTRIGGER							
-TBM01285							
	2980609		P-UB-10	2-1/2	5	CTC-3151126	65.47
TBM01286-							
	3808343		I-U-10	2-1/2	5	CTC-4176026	95.88
QUICK COUPLER							
TBM00100-							
	2953419		P-U-10	25 mm	50 mm	CTC-3056015	56.46
STABILIZER							
TBM00100-00546							
	2988657		P-UB-14	2	4	CTC-2990480	209.07
TBM00547-00834							
	3250038		P-UB-14	2	4	CTC-3417048	188.66
TBM00835-01285, including 01295-01299							
	3313809		P-UB-14	2	4	CTC-3417048	188.66
TBM01286-, excluding 01295-01299							
	3808345		P-UB-14	2	4	CTC-4175006	198.83
STEERING							
TBM00100-							
	3052050		I-U-10	50 mm	100 mm	CTC-3044561	71.78
SWAY							
TBM00100-00509							
	2988656		P-UB-14	2	4	CTC-2990480	209.07
TBM00510-00837, excluding 00817-00820							
	3250037		P-UB-14	2	4	CTC-3417048	188.66
TBM00838-01285, including 00817-00820, 01289-01290, 01296							
	3313801		P-UB-14	2	4	CTC-3417048	188.66
TBM01286-, excluding 01289-01290, 01296							
	3808344		P-UB-14	2	4	CTC-4175006	198.83
TILT							
TBM00100-00631							
	2988460		P-UB-14	2-1/2	5-3/4	CTC-3353866	310.36
TBM00632-00809							
	3250043		P-UB-14	2-1/2	5-3/4	CTC-3418115	410.08
TBM00810-01080, excluding 01074							
	3313807		P-UB-14	2-1/2	5-3/4	CTC-3418115	410.08
TBM01081-01391, including 01074, excluding 01372-01376							
	3422650		P-UB-14	2-1/2	5-3/4	CTC-3418115	410.08
TBM01392-, including 01372-01376							
	3963663		P-U-14	2-1/2	5-3/4	CTC-4175758	231.82
MODEL TL1255							
CARRIAGE - Dual Fork Positioning							
TBN00100-							
	4179881		I-U-4	1-1/8	2	CTC-4179889	126.63

REPLACEMENT KITS FOR CATERPILLAR® EQUIPMENT

Telehandlers							
APPLICATION	CYL #	Misc-Parts, Instructions, etc.	CODE	ROD	BORE	KIT #	List \$
MODEL TL1255							
CARRIAGE - Side Shift							
	TBN00100-3622120		I-U-10	1-1/4	2-1/2	CTC-3276314	24.43
CARRIAGE - Swing							
	TBN00100-3755001		I-U-10	1-1/4	2-1/2	CTC-3276314	24.43
CROWD							
	TBN00100-00335						
	2988459		P-UB-14	3	4-3/4	CTC-2990477	302.85
	TBN00336-00413						
	3250042		P-UB-14	3	4-3/4	CTC-3417059	257.60
	TBN00414-00846						
	3313806		P-UB-14	3	4-3/4	CTC-3417059	257.60
	TBN00847-						
	4186275		P-UB-14	3	4-3/4	CTC-4186276	189.42
OUTRIGGER							
	-TBN00775						
	2980609		P-UB-10	2-1/2	5	CTC-3151126	65.47
	TBN00776-						
	3808343		I-U-10	2-1/2	5	CTC-4176026	95.88
QUICK COUPLER							
	TBN00100-						
	2953419		P-U-10	25 mm	50 mm	CTC-3056015	56.46
STABILIZER							
	TBN00100-00313						
	2988657		P-UB-14	2	4	CTC-2990480	209.07
	TBN00314-00429						
	3250038		P-UB-14	2	4	CTC-3417048	188.66
	TBN00430-00774, including 00780-00781, 00783-00784						
	3313809		P-UB-14	2	4	CTC-3417048	188.66
	TBN00775-, excluding 00780-00781, 00783-00784						
	3808345		P-UB-14	2	4	CTC-4175006	198.83
STEERING							
	TBN00100-						
	3052050		I-U-10	50 mm	100 mm	CTC-3044561	71.78
SWAY							
	TBN00100-00262						
	2988656		P-UB-14	2	4	CTC-2990480	209.07
	TBN00263-00434, excluding 00416-00417						
	3250037		P-UB-14	2	4	CTC-3417048	188.66
	TBN00435-00774, including 00416-00417, 00776						
	3313801		P-UB-14	2	4	CTC-3417048	188.66
	TBN00775-, excluding 00776						
	3808344		P-UB-14	2	4	CTC-4175006	198.83
Wheel Dozers							
APPLICATION	CYL #	Misc-Parts, Instructions, etc.	CODE	ROD	BORE	KIT #	List \$
MODEL 814							
BLADE TIP							
	1U4744		P-UB-10	2	4	CTC-7X2755	156.44
DOZER							
	7J7028		P-UB-10	2-1/2	4-3/4	CTC-7X2773	178.45
DOZER LIFT							
	7J7028		P-UB-10	2-1/2	4-3/4	CTC-7X2660	246.36
LIFT							
	1U2088		P-UB-10	2-1/2	4-3/4	CTC-7X2660	246.36

REPLACEMENT KITS FOR CATERPILLAR® EQUIPMENT

Wheel Dozers							
APPLICATION	CYL #	Misc-Parts, Instructions, etc.	CODE	ROD	BORE	KIT #	List \$
MODEL 814							
LIFT RH							
	4J7859		P-UB-10	2	4	CTC-7X2755	156.44
PUMP							
	14R; 90P						
	9J5068					CTC-9J5114	36.87
STEERING							
	4T1574		P-UB-10	2	4	CTC-1328816	127.22
STEERING LH							
	7J9356		P-UB-10	2	4	CTC-7X2755	156.44
STEERING RH							
	7J9355		P-UB-10	2	4	CTC-7X2755	156.44
TILT							
	7J7295		P-UB-10	2	4-1/2	CTC-7X2768	121.61
MODEL 814B							
BLADE TIP							
	1U4744		P-UB-10	2	4	CTC-7X2755	156.44
DOZER							
	1U2088		P-UB-10	2-1/2	4-3/4	CTC-1328811	209.77
DOZER LIFT							
	1U2088		P-UB-10	2-1/2	4-3/4	CTC-7X2660	246.36
	7J7028		P-UB-10	2-1/2	4-3/4	CTC-7X2660	246.36
STEERING							
	4T1574		P-UB-10	2	4	CTC-1328816	127.22
	6E5024		P-UB-10	2	4	CTC-1113302	163.17
TILT							
	7J7295		P-UB-10	2	4-1/2	CTC-7X2768	121.61
MODEL 814F							
DOZER							
	1U2088		P-UB-10	2-1/2	4-3/4	CTC-1328811	209.77
STEERING							
	4T1574		P-UB-10	2	4	CTC-1328816	127.22
	6E5024		P-UB-10	2	4	CTC-1113302	163.17
MODEL 814S							
BLADE TIP							
	1U4744		P-UB-10	2	4	CTC-7X2755	156.44
TILT							
	7J7295		P-UB-10	2	4-1/2	CTC-7X2768	121.61
MODEL 824							
BLADE TIP							
	4J5632		P-V-10	2-1/2	6-1/2	CTC-7X2678	150.11
	4J6006	App requires 2 kits.	P-UB-10	2-1/2	6	CTC-7X2656	221.15
	4J6006	App requires 2 kits.	P-UB-10	2-1/2	6	CTC-7X2692	225.32
BLADE TIP LH							
	4J4498		P-UB-10	2-1/2	6	CTC-7X2656	221.15
LIFT							
	3J9307		P-V-10	2-1/2	6-1/2	CTC-7X2676	150.11
	4J6005		P-V-10	2-1/2	6-1/2	CTC-7X2676	150.11
	4J7621		P-V-10	2-1/2	6-1/2	CTC-7X2676	150.11
	4J9233		P-V-10	2	4-1/2	CTC-7X2770	134.35
	6J1269		P-V-10	2-1/2	6-1/2	CTC-7X2676	150.11
	6J1272		P-V-10	2-1/2	6-1/2	CTC-7X2676	150.11
	6J1273		P-V-10	2-1/2	6-1/2	CTC-7X2676	150.11
	9J7111		P-UB-10	2-1/2	5-1/2	CTC-7X2653	222.82
PUMP							
	29G; 36H; 43E						
	3J6536					CTC-9J5115	49.82

REPLACEMENT KITS FOR CATERPILLAR® EQUIPMENT

Wheel Dozers							
APPLICATION	CYL #	Misc-Parts, Instructions, etc.	CODE	ROD	BORE	KIT #	List \$
MODEL 824							
STEERING							
	7J9984		P-UB-10	2-1/4	5	CTC-7X2729	222.67
STEERING LH							
	9J7087		P-UB-10	2-1/4	5	CTC-7X2729	222.67
STEERING RH							
	9J7086		P-UB-10	2-1/4	5	CTC-7X2729	222.67
TILT RH							
	4J4497		P-V-10	2-1/2	6-1/2	CTC-7X2678	150.11
MODEL 824B							
BLADE							
	7K9401		P-UB-10	2-1/4	5	CTC-7X2729	222.67
BLADE LH							
	4J4498		P-UB-10	2-1/2	6	CTC-7X2656	221.15
BLADE TIP							
	4J6006	App requires 2 kits.	P-UB-10	2-1/2	6	CTC-7X2656	221.15
BLADE TIP LH							
	4J4498		P-UB-10	2-1/2	6	CTC-7X2656	221.15
LIFT							
	3J9307		P-V-10	2-1/2	6-1/2	CTC-7X2676	150.11
	4J6005		P-V-10	2-1/2	6-1/2	CTC-7X2676	150.11
	4J7621		P-V-10	2-1/2	6-1/2	CTC-7X2676	150.11
	4J9233		P-V-10	2	4-1/2	CTC-7X2770	134.35
	6J1269		P-V-10	2-1/2	6-1/2	CTC-7X2676	150.11
	6J1272		P-V-10	2-1/2	6-1/2	CTC-7X2676	150.11
	6J1273		P-V-10	2-1/2	6-1/2	CTC-7X2676	150.11
	9J7111		P-UB-10	2-1/2	5-1/2	CTC-7X2653	222.82
PUMP							
	29G; 36H; 43E						
	3J6536					CTC-9J5115	49.82
STEERING							
	6J7590		P-UB-10	2-1/4	5	CTC-7X2729	222.67
	7J9718		P-UB-10	2-1/4	5	CTC-7X2729	222.67
	7J9984		P-UB-10	2-1/4	5	CTC-7X2729	222.67
STEERING LH							
	9J7087		P-UB-10	2-1/4	5	CTC-7X2729	222.67
STEERING RH							
	9J7086		P-UB-10	2-1/4	5	CTC-7X2729	222.67
TILT RH							
	4J4497		P-V-10	2-1/2	6-1/2	CTC-7X2678	150.11
MODEL 824C							
BLADE LH							
	4J4498		P-UB-10	2-1/2	6	CTC-7X2656	221.15
BLADE RH							
	4J4497		P-V-10	2-1/2	6-1/2	CTC-7X2678	150.11
BLADE TIP							
	4J4497		P-V-10	2-1/2	6-1/2	CTC-7X2678	150.11
	4J5632		P-V-10	2-1/2	6-1/2	CTC-7X2678	150.11
	4J6006	App requires 2 kits.	P-UB-10	2-1/2	6	CTC-7X2656	221.15
BLADE TIP LH							
	4J4498		P-UB-10	2-1/2	6	CTC-7X2656	221.15
LIFT							
	4J6005		P-V-10	2-1/2	6-1/2	CTC-7X2676	150.11
	6J1269		P-V-10	2-1/2	6-1/2	CTC-7X2676	150.11
	6J1272		P-V-10	2-1/2	6-1/2	CTC-7X2676	150.11
	6J1273		P-V-10	2-1/2	6-1/2	CTC-7X2676	150.11
	9J7111		P-UB-10	2-1/2	5-1/2	CTC-7X2653	222.82

CATERPILLAR®

REPLACEMENT KITS FOR CATERPILLAR® EQUIPMENT

Wheel Dozers							
APPLICATION	CYL #	Misc-Parts, Instructions, etc.	CODE	ROD	BORE	KIT #	List \$
MODEL 824C							
LIFT LH	4J4498		P-UB-10	2-1/2	6	CTC-7X2656	221.15
STEERING LH	9J7087		P-UB-10	2-1/4	5	CTC-9X6392	219.47
STEERING RH	9J7086		P-UB-10	2-1/4	5	CTC-9X6392	219.47
MODEL 824S, 834S, 834U							
LIFT LH	4J4498		P-UB-10	2-1/2	6	CTC-7X2656	221.15
TILT RH	4J4497		P-V-10	2-1/2	6-1/2	CTC-7X2678	150.11
MODEL 830M							
DOZER LIFT	3R4109		P-UB-10	2-1/2	4-3/4	CTC-7X2660	246.36
LIFT	3J6439		P-UB-10	2-1/2	6	CTC-7X2679	189.51
RIPPER LIFT	3R6724		P-UB-10	2-1/2	6	CTC-7X2679	189.51
STEERING	5R0062		P-UB-10	2-1/4	5	CTC-7X2729	222.67
	7J9984		P-UB-10	2-1/4	5	CTC-7X2729	222.67
MODEL 834							
BLADE LH	4J4498		P-UB-10	2-1/2	6	CTC-7X2656	221.15
BLADE TIP	4J5632		P-V-10	2-1/2	6-1/2	CTC-7X2678	150.11
	4J6006	App requires 2 kits.	P-UB-10	2-1/2	6	CTC-7X2656	221.15
LIFT	4J6005		P-V-10	2-1/2	6-1/2	CTC-7X2676	150.11
	4J7621		P-V-10	2-1/2	6-1/2	CTC-7X2676	150.11
	4J9233		P-V-10	2	4-1/2	CTC-7X2770	134.35
	6J1269		P-V-10	2-1/2	6-1/2	CTC-7X2676	150.11
	6J1272		P-V-10	2-1/2	6-1/2	CTC-7X2676	150.11
PUMP	29G; 36H; 43E						
	3J6536					CTC-9J5115	49.82
STEERING	7J9984		P-UB-10	2-1/4	5	CTC-7X2729	222.67
	9J8165		P-UB-10	2-1/4	5	CTC-9X6392	219.47
TILT RH	4J4497		P-V-10	2-1/2	6-1/2	CTC-7X2678	150.11
MODEL 834B							
BLADE LH	4J4498		P-UB-10	2-1/2	6	CTC-7X2656	221.15
BLADE TIP	4J5632		P-V-10	2-1/2	6-1/2	CTC-7X2678	150.11
LIFT	4J7621		P-V-10	2-1/2	6-1/2	CTC-7X2676	150.11
	6J1272		P-V-10	2-1/2	6-1/2	CTC-7X2676	150.11
LIFT LH	4J4498		P-UB-10	2-1/2	6	CTC-7X2656	221.15
STEERING	9J8165		P-UB-10	2-1/4	5	CTC-9X6392	219.47
TILT RH	4J4497		P-V-10	2-1/2	6-1/2	CTC-7X2678	150.11

REPLACEMENT KITS FOR CATERPILLAR® EQUIPMENT

Wheel Dozers							
APPLICATION	CYL #	Misc-Parts, Instructions, etc.	CODE	ROD	BORE	KIT #	List \$
MODEL 834B							
TIP							
	4J6006	App requires 2 kits.	P-UB-10	2-1/2	6	CTC-7X2656	221.15
MODEL 834C							
BLADE TIP							
	4J5632		P-V-10	2-1/2	6-1/2	CTC-7X2678	150.11
	4J6006	App requires 2 kits.	P-UB-10	2-1/2	6	CTC-7X2656	221.15



Hercules Offers a Complete Line of Cylinder Repair Parts for Mobile and Industrial Applications.

Stock Includes Cylinder Glands, Caps, Heads and Pistons.

View the Complete Inventory in the Cylinder and Repair Parts Catalog or Online at www.HerculesUS.com

Sign Up to Receive Our Periodic E-Newsletter Featuring Web-Only Specials and New Product Announcements.

Simply Provide Your E-Mail Address on the Home Page of the Hercules Website - www.HerculesUS.com.

It's Just That Easy! Opt-Out at Any Time with One Click.

E-NEWSLETTER

Enter your E-Mail Address to Receive the Hercules E-Newsletter which Features Monthly Specials, Company Notifications and New Product Announcements

Your email:

REPLACEMENT KITS FOR CATERPILLAR® EQUIPMENT

IMPORTANT – PLEASE READ

If a kit part number is unknown, the machine model number, serial number, and cylinder application will help identify the repair kit you need.

Example: Model Number **D5**
 Serial Number **63J806**
 Cylinder Application **Dozer Lift**

If none of the above information is known, size and description of the parts needed will almost always be sufficient.

NOTE: CATERPILLAR kit numbers are used as a reference only. We do not imply that these kits are original REPLACEMENT KITS.

Kit Number	Code (Pg. xiv)	Rod X Bore Size	List Price	Kit Number	Code (Pg. xiv)	Rod X Bore Size	List Price
CTC-1362462K	TRACK ADJUSTER KIT		\$44.98	CTC-0718440	P-U-3	12-1/2 X 15-1/8	\$2,380.66
CTC-1686743K	TRACK ADJUSTER KIT		130.02	CTC-0719441	I-U-3	12-1/2 X 14-1/4	1,002.96
CTC-2979143K	TRACK ADJUSTER KIT		51.81	CTC-0720441	P-U-3	12-1/2 X 14-1/4	824.14
CTC-2979154K	TRACK ADJUSTER KIT		130.02	CTC-0728446	P-UB-1	9 X 10-3/4	1,917.56
CTC-4I7338K	TRACK ADJUSTER KIT		39.48	CTC-0778441	P-U-3	12-1/2 X 14-1/4	2,256.10
CTC-7Y0858K	TRACK ADJUSTER KIT		71.42	CTC-0860174	P-UB-14	75 x 100 mm	370.72
CTC-7Y0859K	TRACK ADJUSTER KIT		71.42	CTC-0875387	P-UB-10	100 X 140 mm	468.63
CTC-FIG0401	TRACK ADJUSTER KIT		142.19	CTC-0875394	P-UB-10	85 X 120 mm	354.94
CTC-FIG0402	TRACK ADJUSTER KIT		167.55	CTC-0875407	P-UB-10	130 X 180 mm	546.07
CTC-FIG0405	TRACK ADJUSTER KIT		149.06	CTC-0876654	P-UB-10	110 X 160 mm	437.78
CTC-FIG1401	TRACK ADJUSTER KIT		156.91	CTC-0901523	MULTI STAGE 2.50, 3.25, 4.00		174.02
CTC-FIG1402	TRACK ADJUSTER KIT		174.96	CTC-0904400	N-U-1	1-1/2	59.99
CTC-FIG1405	TRACK ADJUSTER KIT		91.62	CTC-0911700	I-U-1	75 mm	59.91
CTC-FIG3400	TRACK ADJUSTER KIT		82.04	CTC-0912786	I-V-1	5,9	867.62
CTC-FIG3401	TRACK ADJUSTER KIT		76.59	CTC-0919842	P-U-14	45 X 90 mm	109.55
CTC-FIG3404	TRACK ADJUSTER KIT		63.46	CTC-0933045	P-UB-15	50 X 90mm	353.14
CTC-FIG4400	TRACK ADJUSTER KIT		65.89	CTC-0938385	P-UB-15	70 X 110 mm	313.76
CTC-FIG4405	TRACK ADJUSTER KIT		30.69	CTC-0938388	P-UB-15	80 X 120 mm	450.97
CTC-SK100002	TRACK ADJUSTER KIT		36.55	CTC-0938390	P-UB-15	65 X 110 mm	464.17
CTC-SK100013	TRACK ADJUSTER KIT		74.87	CTC-0939941	P-UB-14	90 X 140 mm	419.88
CTC-SK100014	TRACK ADJUSTER KIT		116.94	CTC-0940691	P-UB-10	85 X 125 mm	263.76
CTC-SK100015	TRACK ADJUSTER KIT		137.95	CTC-0941910	P-UB-10	100 X 140 mm	299.19
CTC-SK100016	TRACK ADJUSTER KIT		253.39	CTC-0942697	P-UB-14	100 X 150 mm	351.17
CTC-SK100084	TRACK ADJUSTER KIT		190.79	CTC-0942698	P-UB-14	110 X 160 mm	534.60
CTC-SK100109	TRACK ADJUSTER KIT		130.02	CTC-0964395	P-UB-10	85 X 120 mm	497.67
CTC-SK100110	TRACK ADJUSTER KIT		61.23	CTC-0964396	P-UB-10	95 X 130 mm	588.59
CTC-SK100111	TRACK ADJUSTER KIT		42.41	CTC-0966457	P-UB-10	75 X 115 mm	494.72
CTC-SK100115	TRACK ADJUSTER KIT		76.66	CTC-0967625	P-UB-10	65 X 100 mm	462.44
CTC-SK100116	TRACK ADJUSTER KIT		186.38	CTC-0967786	P-UB-10	75 X 110 mm	484.37
CTC-SK100117	TRACK ADJUSTER KIT		118.97	CTC-0967799	P-UB-10	80 X 120 mm	466.83
CTC-SK100161	TRACK ADJUSTER KIT		100.73	CTC-0974392	P-UB-10	3 X 7-1/4	119.93
CTC-SK100162	TRACK ADJUSTER KIT		77.16	CTC-0976094	P-UB-10	3 X 6-1/4	173.19
CTC-SK100205	TRACK ADJUSTER KIT		9.72	CTC-0995310	P-UB-14	75 X 110 mm	372.90
CTC-SK100206	TRACK ADJUSTER KIT		10.75	CTC-0995311	P-UB-14	80 X 120 mm	397.96
CTC-SK100214	P-UB-10	1-3/4 X 3	95.75	CTC-0995312	P-UB-14	65 X 100 mm	348.03
CTC-0399196	O-RINGS		4.34	CTC-0995401	P-UB-14	70 X 100 mm	318.46
CTC-0514131	P-V-10	2-1/2 X 6	133.04	CTC-0996978	P-UB-14	60 X 90 mm	172.30
CTC-0543309	I-UB-10	2-1/4 X 3-1/2	68.35	CTC-0997004	P-UB-14	55 X 80 mm	170.71
CTC-0555211	I-U-10	3-1/2,5-1/2,6-1/2 X 5,6,7	424.99	CTC-1002931	P-UB-10	3-1/4 X 5-1/2	388.22
CTC-0711436	I-U-3	11 X 13-1/8	1,647.06	CTC-1002932	P-UB-10	3-1/4 X 5-1/2	221.56
CTC-0712436	P-U-3	11 X 13-1/8	1,760.72	CTC-1002934	P-UB-10	4-1/4 X 6-1/2	551.24
CTC-0715438	I-SP-3,10	7-1/4,10-1/2 X 9-1/4,11-1/2	1,009.71	CTC-1002935	P-UB-10	4-1/4 X 6-1/2	561.12
CTC-0716439	I-SP-3,10	7-1/4,11	1,032.58	CTC-1002939	P-UB-10	3-3/4 X 6	508.74
CTC-0717440	I-U-3	12-1/2 X 15-1/8	2,380.98	CTC-1007844K	P-UB-10	2 X 4	59.01

CATERPILLAR®

REPLACEMENT KITS FOR CATERPILLAR® EQUIPMENT

NOTE: CATERPILLAR kit numbers are used as a reference only. We do not imply that these kits are original REPLACEMENT KITS.

Kit Number	Code (Pg. xiv)	Rod X Bore Size	List Price	Kit Number	Code (Pg. xiv)	Rod X Bore Size	List Price
CTC-1014201	P-UB-10	2-1/2 X 4-3/4	\$183.78	CTC-1184175	P-UB-10	90 X 130	\$404.99
CTC-1014867	P-V-10	3 X 6-1/4	211.48	CTC-1186023	P-UB-10	85 X 120	365.30
CTC-1014874	P-UB-10	2-3/4 X 6-1/2	161.52	CTC-1194418	P-UB-10	3-1/2 X 10	440.61
CTC-1016061	I-U-10	30 X 63 mm	172.79	CTC-1195435	P-UB-10	75 X 110	405.24
CTC-1017554	P-UB-10	5-1/2 X 10-1/2	489.33	CTC-1195446	P-UB-10	80 X 120	369.69
CTC-1038333	P-UB-14	60 X 90 mm	339.92	CTC-1195457	P-UB-10	65 X 100	288.58
CTC-1040763	P-U-1	70 mm Rod Kit	68.96	CTC-1211405	P-UB-10	70 X 100 mm	374.82
CTC-1041023	P-U-1	75 mm Rod Kit	65.17	CTC-1211526	P-UB-10	90 X 160 mm	337.79
CTC-1045008	I-U-10	4 X 4-1/2	381.82	CTC-1211577	O-RING KIT		147.83
CTC-1052585	P-UB-10	90 X 130	398.28	CTC-1211597	P-UB-10	5 X 6	332.34
CTC-1052601	P-UB-10	85 X 130	594.43	CTC-1211605	P-UB-10	5-3/4 X 7	449.49
CTC-1057253	P-UB-14	55 X 80	253.34	CTC-1231768	P-UB-10	75 X 120 mm	396.72
CTC-1057255	P-UB-14	75 X 110	373.24	CTC-1231771	P-UB-10	70 X 100 mm	354.93
CTC-1057359	P-UB-10	80 X 100	336.25	CTC-1234121K	P-UB-10	2 X 4	105.00
CTC-1057379	P-UB-10	85 X 120	355.49	CTC-1239920	P-UB-10	70 X 130 mm	331.20
CTC-1057397	P-UB-10	70 X 100	278.11	CTC-1247005	P-UB-10	85 X 160 mm	276.82
CTC-1057480	P-UB-14	55 X 100	289.76	CTC-1247006	P-UB-10	70 X 130 mm	298.40
CTC-1082148	O-RINGS		13.64	CTC-1247007	P-UB-10	80 X 110 mm	357.57
CTC-1094745	I-U-1	63 mm	151.41	CTC-1247008	P-UB-10	85 X 120 mm	215.65
CTC-1113203	O-RING KIT		14.37	CTC-1247009	P-UB-10	80 X 110 mm	304.71
CTC-1113300	P-UB-10	2-1/2 X 4-1/2	187.32	CTC-1247010	P-UB-10	75 X 140 mm	337.50
CTC-1113301	P-UB-10	1-7/8 X 3	179.68	CTC-1257895K	P-UB-10	2-1/4 X 3-3/4	228.34
CTC-1113302	P-UB-10	2 X 4	163.17	CTC-1259700	P-U-10	70 X 110 mm	240.08
CTC-1113725	P-UB-10	3-1/4 X 5-1/2	209.93	CTC-1261887	P-UB-10	90 X 130	529.18
CTC-1118211K	P-UB-10	2-5/8 X 5-1/4	146.58	CTC-1261937	P-UB-10	85 X 120 mm	186.02
CTC-1125343	I-SP-3,10	8-3/4, 12-1/2 X 11, 13-3/4	1,183.13	CTC-1261947	P-UB-10	85 X 120	474.74
CTC-1126550	P-UB-10	3 X 6-1/2	243.09	CTC-1261979	P-UB-10	130 X 190 mm	403.68
CTC-1126552	P-UB-10	3 X 6-1/2	317.21	CTC-1270630	P-UB-10	100 X 140 mm	443.61
CTC-1131073	I,P-U-3	12-1/2 X 15-1/8	2,677.25	CTC-1270631	P-UB-10	100 X 140 mm	406.26
CTC-1132693	I-U-3	1-1/4 X 2-1/2	22.92	CTC-1270795	P-UB-10	2-1/2 X 5	162.55
CTC-1137463	I,P-U-3	9 X 10-3/4	2,350.74	CTC-1279809	P-UB-10	3 X 6-1/2	301.03
CTC-1137472	I,P-U-3	13-1/2 X 16-1/8	2,645.47	CTC-1281187	P-UB-10	3-1/4 X 7	364.94
CTC-1137475	P-UB-3	7 X 8	627.24	CTC-1281673	P-UB-10	3 x 5-1/2	313.48
CTC-1137476	I,P-U-3	11 X 13-1/8	2,200.97	CTC-1289277	P-UB-10	105 X 150 mm	504.68
CTC-1137478	P-UB-3	7 X 8	899.12	CTC-1289278	P-UB-10	110 X 170	544.90
CTC-1137480	I,P-U-3	12-1/2 X 14-1/4	918.76	CTC-1289280	P-UB-10	110 X 160 mm	503.33
CTC-1137482	I,P-U-13	9 X 10-1/2	489.69	CTC-1296156	P-UB-10	100 X 170 mm	264.56
CTC-1143616	O-RING KIT		8.41	CTC-1304012	P-UB-10	2-1/2 X 5	247.74
CTC-1148131K	P-UB-10	3 X 4-3/4	136.11	CTC-1305923	P-UB-10	2-1/8 X 4	187.39
CTC-1148290	P-UB-10	80 X 120	278.33	CTC-1309466	P-UB-10	3 X 6	303.48
CTC-1148526	P-UB-10	75 X 110	328.90	CTC-1309483	P-UB-10	3-1/2 x 7-1/4	388.58
CTC-1153523K	P-UB-10	3 X 6-1/2	163.02	CTC-1309702	P-UB-10	6 X 7-1/2	487.49
CTC-1156963K	P-UB-10	2-3/4 X 4-1/2	165.03	CTC-1309712	P-UB-10	6 X 7-1/2	529.02
CTC-1163529	P-UB-10	150 X 220 mm	800.19	CTC-1309758	P-UB-10	7 X 10	556.89
CTC-1163612	P-UB-10	105 X 150	413.90	CTC-1309763	P-UB-10	4-1/4 X 7-3/4	523.40
CTC-1163649	P-UB-10	110 X 170	390.69	CTC-1309771	P-UB-1	4-1/4	366.44
CTC-1180672	I-U-10	6 X 8-1/4	696.50	CTC-1315083	P-UB-10	3-1/2 X 6-1/4	184.60
CTC-1183135	I-U-10	60 X 100 mm	128.68	CTC-1315088	P-UB-10	2-1/4 X 4-1/4	203.23
CTC-1183946	P-UB-10	110 X 160	494.66	CTC-1315106	P-UB-10	2-1/2 X 5	199.56
CTC-1184024	P-UB-10	100 X 140	443.61	CTC-1315118	P-UB-10	2-1/2 X 5	233.60
CTC-1184131	P-UB-10	85 X 120	342.72	CTC-1315164	P-UB-10	2-1/2 X 6	235.67

REPLACEMENT KITS FOR CATERPILLAR® EQUIPMENT

NOTE: CATERPILLAR kit numbers are used as a reference only. We do not imply that these kits are original REPLACEMENT KITS.

Kit Number	Code (Pg. xiv)	Rod X Bore Size	List Price
CTC-1315420	I-U-10	2-3/4 X 4	\$206.19
CTC-1315421	I-UB-10	2 X 4	198.83
CTC-1315423	P-UB-10	3 X 4	261.92
CTC-1315424	P-UB-10	3-1/2 X 4-1/2	292.33
CTC-1316102	P-UB-10	3-1/2 X 8-1/4	359.91
CTC-1316108	P-UB-10	1-3/4 X 4	149.01
CTC-1316109	P-UB-10	3 X 4-3/4	154.40
CTC-1316117	P-UB-10	3-1/2 X 6-1/4	336.01
CTC-1316122	P-UB-5	3-1/2 X 4-1/2	329.45
CTC-1318700	P-UB-10	2-1/2 X 3-3/4	206.98
CTC-1318733	P-UB-10	3 X 6-1/2	268.15
CTC-1318740	P-UB-10	3 X 6-1/2	235.27
CTC-1318748	P-UB-10	2-1/2 X 4	211.19
CTC-1318778	P-UB-10	2-1/4 x 4-3/4	192.17
CTC-1321417	P-UB-10	2-1/4 X 3-3/4	187.88
CTC-1324905	P-UB-10	3-1/2 X 8-1/4	287.98
CTC-1324919	P-UB-10	3-1/2 X 10	434.77
CTC-1324922	P-UB-10	4 X 9-1/4	437.86
CTC-1324932	P-UB-10	4 x 10-1/2	495.68
CTC-1324937	P-UB-10	3 X 6	183.64
CTC-1324987	P-UB-10	3-1/4 X 7-1/4	312.23
CTC-1324993	P-UB-10	3-1/4 X 7-3/4	350.11
CTC-1324997	P-UB-10	3-3/4 X 7-3/4	330.67
CTC-1326121	P-UB-10	2-3/4 x 5-1/4	276.60
CTC-1326127	P-UB-10	3 X 7-1/4	270.39
CTC-1326130	P-UB-10	3-1/2 X 7-1/4	330.01
CTC-1326148	P-UB-10	2-3/4 X 4-1/4	222.88
CTC-1326170	P-UB-10	2-3/4 X 4-1/4	233.60
CTC-1326180	P-UB-10	3 X 7-1/4	291.08
CTC-1326184	P-UB-10	3 X 7-1/4	293.98
CTC-1326770	P-UB-10	2-1/4 X 4-1/2	198.07
CTC-1326783	P-UB-10	4 X 7	327.11
CTC-1326806	P-UB-10	4 X 7	485.83
CTC-1327058	P-UB-10	1-1/2 X 3-1/2	142.49
CTC-1327114	P-UB-10	2-1/2 X 4-1/4	214.22
CTC-1327123	P-UB-10	2-1/2 X 5-1/2	243.62
CTC-1327129	P-UB-10	2-3/4 X 5-1/2	246.76
CTC-1327131	P-UB-10	2-3/4 X 5-1/2	264.32
CTC-1328088	P-UB-10	2-3/4 X 6-1/2	281.85
CTC-1328111	P-UB-10	2-3/4 X 5-1/2	248.36
CTC-1328284	P-UB-10	2-3/4 X 7	182.56
CTC-1328491	P-UB-10	3 X 6-1/4	309.58
CTC-1328518	P-UB-10	3-1/4 X 7	298.10
CTC-1328576	P-UB-10	3-1/4 X 9-1/4	439.50
CTC-1328608	P-UB-10	3-1/4 X 9-1/4	330.82
CTC-1328620	P-UB-10	3-1/4 X 7-1/4	303.58
CTC-1328633	P-UB-10	1-1/2 X 3-1/4	150.03
CTC-1328770	P-UB-10	1-3/4 X 3-1/4	155.14
CTC-1328783	P-V-10	2 X 4-1/2	102.41
CTC-1328811	P-UB-10	2-1/2 X 4-3/4	209.77
CTC-1328816	P-UB-10	2 X 4	127.22

Kit Number	Code (Pg. xiv)	Rod X Bore Size	List Price
CTC-1328849	P-UB-10	1-3/4 X 3	\$154.97
CTC-1329361	P-UB-10	1-3/4 X 3-3/4	59.40
CTC-1332274	P-UB-10	4 X 10	432.81
CTC-1332962K	P-UB-10	3-1/4 X 9-1/4	392.69
CTC-1333614	P-UB-10	4 X 7	415.86
CTC-1334759	P-UB-10	3-1/4 X 7	226.77
CTC-1334802	P-UB-10	3-1/4 X 7	325.63
CTC-1336646	P-UB-10	80 X 110	339.87
CTC-1336691	P-UB-10	70 X 100	295.06
CTC-1336823	P-UB-10	100 X 140 mm	440.47
CTC-1344485K	P-UB-10	55 X 100 mm	161.83
CTC-1347123	P-UB-10	85 X 125 mm	460.39
CTC-1347127	P-UB-10	90 X 130 mm	557.93
CTC-1347128	P-UB-10	100 X 140 mm	426.98
CTC-1349838K	P-UB-10	35 X 70 mm	82.44
CTC-1350532K	P-UB-10	50 X 85 mm	294.92
CTC-1352167	P-UB-10	2-3/4 x 6	240.21
CTC-1353223	P-UB-10	2-1/2 X 4	220.01
CTC-1353253	P-UB-10	2-1/2 X 4	204.97
CTC-1353802	P-UB-10	3 x 4-1/2	239.16
CTC-1353829	P-UB-10	3 X 4-1/2	278.26
CTC-1354382	P-UB-10	5-3/4 X 11-1/2	619.02
CTC-1354392	P-UB-10	2-1/4 x 4-1/2	192.54
CTC-1354402	P-UB-10	3-1/4 X 8-1/4	340.23
CTC-1354446	P-V-10	3-1/4 X 7-1/4	283.23
CTC-1354539	P-UB-14	3-1/4 X 5-1/2	168.83
CTC-1358143	P-UB-10	3 X 5-1/2	258.09
CTC-1358153	P-UB-10	3 X 5-1/2	258.99
CTC-1358166	P-UB-10	2-1/4 X 3-1/2	222.91
CTC-1358695	P-UB-10	2-1/2 X 4-3/4	130.59
CTC-1358736	P-UB-10	2-3/4 X 5-1/2	275.88
CTC-1361131	P-UB-10	2-1/2 x 4-3/4	196.39
CTC-1361171	P-UB-10	2-1/4 X 4	139.03
CTC-1361599	P-UB-10	1-1/2 X 2-3/4	139.86
CTC-1361897	P-UB-10	2-1/4 X 3-3/4	184.83
CTC-1361908	P-UB-10	2-5/8 X 5-1/4	242.54
CTC-1361967	P-UB-10	2-1/2 X 5	251.91
CTC-1361990	I-UB-10	2-3/4 X 3-3/4	225.67
CTC-1362025	P-UB-10	3 X 4-3/4	286.81
CTC-1362049	P-UB-10	110 X 170 mm	352.87
CTC-1362721	P-UB-10	3-1/2 X 7-1/2	261.94
CTC-1363084	P-UB-10	3 X 6	193.55
CTC-1363121	P-UB-10	2-1/2 X 6	225.64
CTC-1363337	P-UB-10	2-3/4 X 6	106.93
CTC-1363741	P-UB-3	3 X 6-1/2	215.98
CTC-1365158	P-UB-10	3-1/2 X 6-1/4	283.70
CTC-1368341	P-UB-10	2-1/2 X 6-1/2	212.14
CTC-1368797	P-UB-10	3-1/4 X 6-1/2	291.49
CTC-1368823	P-UB-10	3-3/4 X 6-1/2	234.52
CTC-1368865	P-UB-10	4 X 6-1/2	476.75
CTC-1370264	P-UB-10	2-1/2 X 6-1/2	230.77

CATERPILLAR®

REPLACEMENT KITS FOR CATERPILLAR® EQUIPMENT

NOTE: CATERPILLAR kit numbers are used as a reference only. We do not imply that these kits are original REPLACEMENT KITS.

Kit Number	Code (Pg. xiv)	Rod X Bore Size	List Price	Kit Number	Code (Pg. xiv)	Rod X Bore Size	List Price
CTC-1370315	P-UB-10	2-3/4 X 7-1/4	\$319.26	CTC-1475781	P-UB-10	85 X 125 mm	\$394.50
CTC-1371384	P-UB-10	3-1/4 X 9-1/4	316.07	CTC-1475839	P-UB-10	85 X 120 mm	386.81
CTC-1371394	P-UB-10	3-1/4 X 9-1/4	275.51	CTC-1475875	P-UB-10	95 X 130 mm	361.84
CTC-1371762	P-UB-10	4 X 9-1/4	381.78	CTC-1505833	P-UB-10	95 X 130 mm	655.94
CTC-1371774	P-UB-10	4-3/4 X 7-1/4	459.85	CTC-1505850	P-UB-10	80 X 110 mm	160.48
CTC-1371946	P-UB-10	4-3/4 X 7	412.20	CTC-1508828	I-U-1	80 mm	321.43
CTC-1371955	P-UB-10	4-3/4 X 6-1/2	407.49	CTC-1509211K	P-U-10	45 X 75 mm	72.97
CTC-1371974	P-UB-10	3-1/2 X 8-1/4	332.11	CTC-1511266K	P-U-10	45 X 75 mm	78.17
CTC-1372489	P-UB-10	2-3/4 X 7-1/4	251.45	CTC-1512460K	P-U-10	40 X 70 mm	61.45
CTC-1372530	P-UB-10	1-1/2 X 3	85.19	CTC-1513187K	P-U-10	35 X 65 mm	71.28
CTC-1372533	P-UB-10	1-1/2 X 3	126.11	CTC-1526482K	P-UB-10	1-3/4 X 3-1/2	98.74
CTC-1373496	P-U-10	2-1/2 X 5	164.94	CTC-1526485K	P-UB-10	2 X 4	94.69
CTC-1373529	P-UB-10	2-1/4 X 4-1/2	85.84	CTC-1529148K	P-UB-10	2-3/8 X 4-3/4	137.14
CTC-1373602	P-UB-10	2-1/4 X 4-1/2	211.95	CTC-1531282	I-SP-3,10	7-3/4, 11-1/2 X 10, 12-3/4	939.12
CTC-1373661	P-UB-10	100 X 140 mm	204.56	CTC-1533724	P-UB-10	2-1/2 X 4	293.46
CTC-1373763	P-UB-10	85 X 120	507.19	CTC-1534973	P-UB-10	3-1/2 X 8-1/2	365.98
CTC-1373764	P-UB-10	100 X 140	442.66	CTC-1539053	P-UB-10	1-3/4 X 2-3/4	190.69
CTC-1373765	P-UB-10	90 X 130	652.86	CTC-1539054	P-UB-10	1-3/4 X 2-1/2	155.22
CTC-1373766	P-UB-10	100 X 140	424.92	CTC-1540728	P-UB-10	85 X 120	668.97
CTC-1373767	P-UB-10	105 X 150	574.46	CTC-1540735	P-UB-10	100 X 140 mm	508.97
CTC-1373768	P-UB-10	90 X 130	604.17	CTC-1540744	P-UB-10	85 X 120	606.55
CTC-1378527	P-UB-10	2 X 4-1/4	133.56	CTC-1540748	P-UB-10	90 X 130 mm	395.14
CTC-1378646	P-UB-10	3 X 5-1/4	251.93	CTC-1540757	P-UB-10	90 X 130mm	615.01
CTC-1378662	P-UB-10	2 X 4-1/4	176.06	CTC-1540761	P-UB-10	100 X 140	524.30
CTC-1379011	P-UB-10	55 X 100 mm	344.58	CTC-1540766	P-UB-10	105 X 150	538.28
CTC-1379403	P-UB-10	105 X 150 mm	496.75	CTC-1540773	P-UB-10	90 X 130mm	614.58
CTC-1416667K	P-UB-10	3-1/2 X 5-1/2	219.06	CTC-1542501	P-UB-10	2-1/2 X 4	196.93
CTC-1417296	P-U-3	7 X 8-1/2	374.87	CTC-1542502	P-UB-10	2-1/2 X 7-1/4	251.57
CTC-1417975	P-UB-4	3-1/2 X 4-1/2	219.32	CTC-1542503	P-UB-10	3 X 4-3/4	171.66
CTC-1425422	P-UB-10	75 X 110 mm	378.57	CTC-1542505	P-UB-10	6 X 7-1/2	611.02
CTC-1425425	P-UB-10	80 X 120 mm	387.09	CTC-1546525	P-UB-10	2-1/4 X 4-3/4	210.07
CTC-1425428	P-UB-10	65 X 100 mm	389.40	CTC-1546526	P-UB-10	2-1/4 X 4	196.04
CTC-1428962	I-U-10	35 X 50 mm	68.42	CTC-1553652K	P-UB-10	3 X 6-1/2	206.51
CTC-1428963	P-U-10	30 X 65 mm	135.74	CTC-1558421	I-U-15	60 X 110 mm	100.70
CTC-1429192	P-U-10	35 X 70 mm	65.92	CTC-1560625	P-UB-10	130 X 180 mm	577.72
CTC-1429193	P-U-10	40 X 60 mm	100.93	CTC-1560626	P-UB-10	140 x 200 mm	683.30
CTC-1432918	P-UB-10	3 X 5-1/4	254.29	CTC-1560627	P-UB-10	150 X 220 mm	800.19
CTC-1433201K	P-UB-10	100 X 170 mm	329.72	CTC-1560656	P-UB-10	110 X 160 mm	364.93
CTC-1437982	P-UB-14	75 X 110 mm	459.03	CTC-1563798	P-UB-10	2-1/2 X 4-3/4	212.49
CTC-1437983	P-UB-14	60 X 90 mm	378.00	CTC-1565208	P-UB-10	1-1/2 X 2-1/2	138.61
CTC-1438139	P-UB-10	130 X 180 mm	529.58	CTC-1570246	P-UB-10	2 X 3-1/2	181.10
CTC-1438152	P-UB-10	70 X 100 mm	348.47	CTC-1570284	P-UB-10	3-1/2 x 7-3/4	234.30
CTC-1438153	P-UB-10	65 X 100 mm	314.91	CTC-1570286	P-UB-10	2-1/2 X 5-1/2	233.79
CTC-1438154	P-UB-10	75 X 110 mm	337.05	CTC-1570287	P-UB-10	2-3/4 X 5-1/2	203.88
CTC-1438155	P-UB-10	80 X 120 mm	323.05	CTC-1570288	P-UB-10	3 X 4-3/4	223.98
CTC-1456902	O-RING KIT		7.15	CTC-1570289	P-UB-10	7 X 11	1,312.45
CTC-1468928K	P-UB-10	4-1/2 X 150 mm	226.17	CTC-1570290	P-UB-10	2 X 4	184.90
CTC-1469624	P-UB-10	3-1/4 X 9-1/4	330.21	CTC-1582872	P-UB-10	3 X 5	320.25
CTC-1469631	P-UB-10	3-1/4 X 9-1/4	334.56	CTC-1586389	P-UB-10	75 X 110 mm	287.62
CTC-1469860	P-UB-10	2-1/2 X 4-1/2	209.92	CTC-1588925	P-UB-10	70 X 100 mm	309.85
CTC-1475740	P-UB-10	140 X 200 mm	441.14	CTC-1588926	P-UB-10	80 X 110 mm	340.65

CATERPILLAR®

REPLACEMENT KITS FOR CATERPILLAR® EQUIPMENT

NOTE: CATERPILLAR kit numbers are used as a reference only. We do not imply that these kits are original REPLACEMENT KITS.

Kit Number	Code (Pg. xiv)	Rod X Bore Size	List Price	Kit Number	Code (Pg. xiv)	Rod X Bore Size	List Price
CTC-1589092	P-UB-10	85 X 120 mm	\$250.14	CTC-1697831	P-UB-10	75 X 120 mm	\$393.33
CTC-1589093	P-UB-10	100 X 140 mm	168.04	CTC-1697832	P-UB-10	70 X 100 mm	365.01
CTC-1597532	P-UB-10	7 X 11	1,312.45	CTC-1697834	P-UB-10	55 X 100 mm	333.38
CTC-1597773	P-UB-10	85 X 120 mm	276.99	CTC-1697835	P-UB-10	80 X 120	296.58
CTC-1597774	P-UB-10	100 X 140 mm	207.30	CTC-1697836	P-UB-10	70 X 100	394.36
CTC-1597775	P-UB-10	85 X 120 mm	243.71	CTC-1697837	P-UB-10	75 X 110 mm	356.25
CTC-1597776	P-UB-10	90 X 130 mm	678.21	CTC-1697838	P-UB-10	80 X 120 mm	372.15
CTC-1597778	P-UB-10	85 X 130 mm	654.16	CTC-1697839	P-UB-10	65 X 100 mm	300.43
CTC-1600045K	P-UB-10	2-1/2 X 4-3/4	139.05	CTC-1697840	P-UB-10	75 X 110 mm	154.99
CTC-1600054K	P-UB-10	2-1/2 X 5-1/2	109.70	CTC-1697841	P-UB-10	80 X 120 mm	365.10
CTC-1605784	P-UB-10	3 X 5	99.37	CTC-1697842	P-UB-10	65 X 100 mm	332.84
CTC-1605785	P-UB-10	3-1/4 X 6-1/2	245.39	CTC-1697843	P-UB-10	70 X 130	345.13
CTC-1605795	P-UB-10	2-1/2 X 5-1/4	241.43	CTC-1697844	P-UB-10	75 X 110 mm	328.67
CTC-1605796	P-UB-10	3 x 7	322.67	CTC-1697845	P-UB-14	55 X 80 mm	169.59
CTC-1608546	P-U-10	30 X 60 mm	70.53	CTC-1697895	P-UB-14	60 X 90 mm	282.04
CTC-1624675	P-UB-10	80 X 110 mm	405.33	CTC-1699529K	P-UB-10	2 X 4	99.65
CTC-1624676	P-UB-10	85 X 120 mm	142.62	CTC-1699531K	P-UB-10	2 X 4	94.69
CTC-1624677	P-UB-10	70 X 100 mm	319.82	CTC-1700221	P-UB-10	2-1/2 X 4-3/4	194.29
CTC-1636105	P-UB-10	2-3/4 X 4-1/2	220.34	CTC-1709827	P-UB-10	70 X 100 mm	150.42
CTC-1636223	P-UB-10	2-1/2 X 5	290.75	CTC-1709829	P-UB-10	140 X 200 mm	434.91
CTC-1636935K	P-U-10	50 X 90 mm	162.25	CTC-1709830	P-UB-10	130 X 180 mm	537.39
CTC-1636936K	P-U-10	45 X 75 mm	209.26	CTC-1709929	P-UB-10	70 X 100 mm	426.37
CTC-1637006K	P-U-10	45 X 80 mm	145.31	CTC-1709937	P-UB-10	75 X 110 mm	213.67
CTC-1637007K	P-U-10	45 X 80 mm	145.31	CTC-1709941	P-UB-10	65 X 100 mm	177.94
CTC-1637008K	P-U-10	40 X 70 mm	197.42	CTC-1709946	P-UB-10	80 X 120 mm	391.83
CTC-1643213	P-U-10	30 X 60 mm	91.04	CTC-1709999	P-UB-10	80 X 120 mm	264.11
CTC-1645174	P-UB-10	100 X 140 mm	300.06	CTC-1721685	P-UB-10	2 X 3	185.41
CTC-1649430K	P-UB-10	1-1/4 X 2-1/2	52.51	CTC-1721687	P-UB-4	4 X 4-1/2	203.33
CTC-1650102K	P-UB-10	3 X 6-1/2	223.87	CTC-1721688	P-UB-10	2-3/4 X 4	217.34
CTC-1654342	P-UB-14	50 X 90 mm	156.77	CTC-1721689	I-UB-5	2 X 4-1/2	250.86
CTC-1656035	P-UB-10	2-1/2 X 6-1/2	246.95	CTC-1721690	P-UB-10	2 X 4-1/2	66.67
CTC-1658633K	P-UB-10	3 X 4-3/4	177.75	CTC-1721691	P-UB-10	3-1/2 X 5-1/2	235.76
CTC-1659416	P-UB-10	130 X 190 mm	404.46	CTC-1721692	P-UB-10	4 X 4-1/2	243.50
CTC-1659418	P-UB-10	85 X 120 mm	191.76	CTC-1721693	P-UB-10	3-1/2 X 4-1/2	252.95
CTC-1659419	P-UB-10	95 X 130 mm	310.12	CTC-1724223K	P-U-10	45 X 75 mm	68.99
CTC-1659420	P-UB-10	80 X 110 mm	190.74	CTC-1725285	P-U-10	25 X 40 mm	78.24
CTC-1662835K	P-U-10	45 X 75 mm	67.99	CTC-1728486	I-U-10	1-3/4 X 63 mm	91.40
CTC-1663850	P-UB-10	5-1/2 X 10	654.36	CTC-1728487	I-U-10	50 X 70 mm	74.76
CTC-1668140K	I-UB-10	2-3/4 X 3-3/4	108.68	CTC-1728500	P-UB-10	105 X 180 mm	495.75
CTC-1677551K	P-UB-10	2 X 4-1/4	68.81	CTC-1744715K	P-UB-10	3-1/4 X 9-1/4	277.93
CTC-1680758	P-UB-10	105 X 150	465.24	CTC-1749425	P-UB-10	3-1/2 X 6-1/4	322.78
CTC-1680759	P-UB-10	110 X 170	549.61	CTC-1764912	P-UB-10	85 X 120 mm	361.83
CTC-1680760	P-UB-10	110 X 160 mm	460.57	CTC-1764913	P-UB-10	100 X 140 mm	456.39
CTC-1686942K	P-UB-10	5 X 9-1/4	462.52	CTC-1764914	P-UB-10	90 X 130 mm	194.61
CTC-1686943K	P-UB-10	5 X 9-1/4	462.52	CTC-1764934	P-UB-10	85 X 120 mm	318.98
CTC-1686944K	P-UB-10	4-1/2 X 9-1/4	522.52	CTC-1764935	P-UB-10	65 X 100	303.50
CTC-1697826	P-UB-14	75 X 110 mm	182.56	CTC-1764999	P-UB-10	95 X 130 mm	329.63
CTC-1697827	P-UB-14	60 X 90 mm	283.54	CTC-1771958	P-U-10	32 X 63 mm	94.81
CTC-1697828	P-UB-14	55 X 80 mm	205.77	CTC-1787189	I-U-10	36 X 65 mm	302.43
CTC-1697829	P-UB-14	55 X 100 mm	195.87	CTC-1787189NLN	I-U-10	36 X 65 mm	162.44
CTC-1697830	P-UB-10	65 X 100 mm	157.72	CTC-1788382	P-UB-10	100 X 170 mm	507.58

CATERPILLAR®

REPLACEMENT KITS FOR CATERPILLAR® EQUIPMENT

NOTE: CATERPILLAR kit numbers are used as a reference only. We do not imply that these kits are original REPLACEMENT KITS.

Kit Number	Code (Pg. xiv)	Rod X Bore Size	List Price	Kit Number	Code (Pg. xiv)	Rod X Bore Size	List Price
CTC-1791715	I-U-3	3/4 X 1-1/2	\$20.72	CTC-1857033	P-UB-10	1-3/4 X 3-3/4	\$177.77
CTC-1791749	I-O-3	3/4 X 1-1/2	7.41	CTC-1857035	P-UB-10	1-3/4 X 2-3/4	153.73
CTC-1794969K	P-U-10	45 X 75 mm	72.97	CTC-1857036	P-UB-10	1-3/4 X 2-1/2	155.22
CTC-1799625	P-UB-10	80 X 110 mm	345.30	CTC-1857037	P-UB-10	1-3/4 X 3	143.10
CTC-1799634	P-UB-10	85 X 120 mm	191.76	CTC-1857662	P-UB-10	2-3/4 X 4-1/2	236.22
CTC-1799638	P-UB-10	70 X 100 mm	134.04	CTC-1857663	P-UB-10	3-1/4 X 5-1/2	373.93
CTC-1799764K	P-UB-10	90 X 130 mm	171.53	CTC-1857664	P-UB-10	3-1/4 X 5-1/2	263.91
CTC-1799772	P-U-10	90 X 130 mm	283.58	CTC-1857666	P-UB-10	2 X 4	70.93
CTC-1799785K	P-UB-10	105 X 150 mm	222.49	CTC-1857667	P-UB-10	2 X 3	116.13
CTC-1800062	P-UB-10	2-1/8 X 4	212.59	CTC-1857668	P-V-10	2 X 5	208.42
CTC-1807208	P-U,UB-10	2 X 4	176.21	CTC-1857669	P-UB-10	2 X 4-1/4	66.31
CTC-1807484K	P-UB-10	2-1/8 X 4	111.70	CTC-1857670	P-UB-10	2 X 3-1/4	56.61
CTC-1807485K	P-UB-10	2-1/8 X 4	111.70	CTC-1857671	P-UB-10	2 X 4-1/2	62.98
CTC-1809872	I-U-10	1 X 2	161.75	CTC-1857672	P-UB-10	2 X 3-1/2	96.79
CTC-1832091	I-U-10	1 X 2	15.91	CTC-1857674	P-UB-10	2 X 3-1/2	141.24
CTC-1832848K	P-UB-10	2 X 75 mm	125.15	CTC-1857675	P-UB-10	2 X 3-3/4	164.92
CTC-1832850K	P-UB-10	65 mm X 4-3/4	218.34	CTC-1857676	P-UB-10	2 X 5	81.49
CTC-1832856K	P-UB-10	2 X 85 mm	169.26	CTC-1857677	P-UB-10	2 X 4	53.28
CTC-1833721K	P-UB-10	1-1/2 X 3-1/2	95.84	CTC-1857678	P-UB-10	2 X 3-1/2	97.13
CTC-1838459K	P-UB-10	1-1/2 X 3-1/2	95.84	CTC-1857680	P-V-10	2 X 4	77.18
CTC-1843709K	P-UB-10	2-1/2 X 4-1/2	100.86	CTC-1857681	P-U-10	2 X 3-1/2	147.72
CTC-1850196	P-UB-10	90 X 130 mm	226.51	CTC-1857682	P-UB-10	2 X 4-1/4	82.93
CTC-1850223	P-UB-10	85 X 125 mm	227.29	CTC-1857683	P-UB-10	2 X 3-1/4	60.62
CTC-1851839K	P-UB-10	1-1/2 X 3	47.14	CTC-1857684	P-UB-10	2 X 3-3/4	60.29
CTC-1855574	P-UB-10	95 X 160 mm	259.29	CTC-1857685	P-UB-10	3-1/4 X 5-1/2	403.84
CTC-1856582	P-UB-10	1-1/2 X 2-3/4	152.89	CTC-1857686	P-UB-10	2 X 4	125.11
CTC-1856583	P-UB-10	1-1/2 X 3	62.81	CTC-1857687	N-UB-10	2 X 4	196.52
CTC-1856584	P-UB-10	1-1/2 X 4	60.99	CTC-1857688	P-UB-10	2 X 4	95.52
CTC-1856585	P-UB-10	1-1/2 X 2-1/2	42.09	CTC-1857689	P-UB-10	2 X 4-1/2	185.74
CTC-1856586	P-UB-10	1-1/2 X 2-3/4	47.10	CTC-1857694	P-UB-10	2 X 4-1/4	149.43
CTC-1856587	P-UB-10	1-1/2 X 3	83.31	CTC-1857696	P-UB-10	2 X 4-1/4	61.57
CTC-1856588	P-UB-10	1-1/2 X 3-1/2	88.75	CTC-1857698	P-UB-10	2 X 4	74.86
CTC-1856589	P-UB-10	1-1/2 X 3-1/2	86.37	CTC-1857699	I-UB-10	2 X 4-1/2	295.21
CTC-1856590	P-UB-10	1-1/2 X 2-1/4	41.91	CTC-1857700	P-UB-10	2 X 4-1/2	133.23
CTC-1856591	P-UB-10	1-1/2 X 3-1/2	179.73	CTC-1859502	P-UB-10	2-1/4 X 5	81.73
CTC-1856593	P-UB-10	1-1/2 X 3-1/4	55.62	CTC-1859503	P-UB-10	2-1/4 X 3-1/2	188.66
CTC-1856596	P-UB-10	1-1/2 X 2-3/4	63.53	CTC-1859504	P-UB-10	2-1/4 X 4-1/2	75.19
CTC-1856598	P-UB-10	1-1/2 X 3	38.91	CTC-1859505	P-UB-10	2-1/4 X 4-1/2	60.36
CTC-1856601	P-UB-10	1-1/2 X 2-1/2	71.02	CTC-1859507	P-UB-10	2-1/4 X 4-1/4	152.39
CTC-1857018	P-UB-10	1-3/4 X 3-1/2	82.08	CTC-1859508	P-UB-10	2-1/4 X 4	150.14
CTC-1857019	P-UB-10	1-3/4 X 3-1/4	44.02	CTC-1859509	P-UB-10	2-1/4 X 3-3/4	151.62
CTC-1857020	P-UB-10	1-3/4 X 3-1/2	94.21	CTC-1859510	P-UB-10	2-1/4 X 4	156.35
CTC-1857021	P-UB-10	1-3/4 X 4	40.71	CTC-1859511	P-UB-10	2-1/4 X 4-3/4	168.10
CTC-1857022	P-UB-10	1-3/4 X 3	38.69	CTC-1859512	P-UB-10	2-1/4 X 3-1/2	153.61
CTC-1857023	P-UB-10	1-3/4 X 3-3/4	43.65	CTC-1859517	P-UB-10	2-1/4 X 4-1/4	183.10
CTC-1857024	P-UB-10	1-3/4 X 2-3/4	75.50	CTC-1859519	P-UB-10	2-1/4 X 4-3/4	198.83
CTC-1857025	P-UB-10	1-3/4 X 3	72.85	CTC-1859523	P-UB-10	2-1/4 X 4-1/2	72.49
CTC-1857026	P-UB-10	1-3/4 X 2-1/2	142.03	CTC-1859525	P-UB-10	2-1/4 X 4-1/2	188.23
CTC-1857027	P-UB-10	1-3/4 X 2-3/4	39.91	CTC-1859526	P-UB-10	2-1/4 X 3-1/2	239.99
CTC-1857029	P-UB-10	1-3/4 X 4	183.41	CTC-1859527	P-UB-10	2-1/4 X 4	157.22
CTC-1857030	P-UB-10	1-3/4 X 3-1/4	139.78	CTC-1859528	P-UB-10	2-1/4 X 3-3/4	182.12

CATERPILLAR®

REPLACEMENT KITS FOR CATERPILLAR® EQUIPMENT

NOTE: CATERPILLAR kit numbers are used as a reference only. We do not imply that these kits are original REPLACEMENT KITS.

Kit Number	Code (Pg. xiv)	Rod X Bore Size	List Price	Kit Number	Code (Pg. xiv)	Rod X Bore Size	List Price
CTC-1859530	P-UB-10	2-1/4 X 4-1/2	\$192.43	CTC-1864398	P-UB-10	2-1/2 X 6-1/2	\$275.65
CTC-1859532	P-UB-10	2-1/4 X 4-1/2	234.16	CTC-1864399	P-UB-10	2-1/2 X 4-3/4	115.30
CTC-1859534	P-UB-10	2-1/4 X 4-3/4	234.56	CTC-1864401	P-UB-10	4-3/4 X 6-1/2	489.29
CTC-1859535	P-UB-10	2-1/4 X 4	123.07	CTC-1864404	P-UB-10	2-1/8 X 4	136.62
CTC-1864327	I-UB-10	2-1/2 X 3-1/2	95.53	CTC-1864405	P-UB-10	2-3/8 X 4-1/4	187.73
CTC-1864328	P-UB-10	2-1/2 X 4-1/4	149.43	CTC-1864406	P-UB-10	2-1/8 X 3-1/2	207.98
CTC-1864329	P-UB-10	2-1/2 X 5-1/2	272.48	CTC-1869285	P-UB-10	5-1/2 X 10-1/2	598.63
CTC-1864330	P-UB-10	2-1/2 X 6	329.87	CTC-1883143	P-UB-10	2-1/4 X 5	129.64
CTC-1864331	P-UB-10	2-1/2 X 6-1/2	332.05	CTC-1884219	P-UB-10	105 X 150 mm	222.49
CTC-1864332	P-UB-10	2-1/2 X 5	100.33	CTC-1884457	P-UB-10	95 X 160 mm	300.84
CTC-1864333	P-UB-10	2-1/2 X 4	83.11	CTC-1890263	P-UB-10	3-1/2 X 5-1/2	337.27
CTC-1864334	P-UB-10	2-1/2 X 7-1/4	184.73	CTC-1890264	P-UB-10	3-1/4 X 8-1/4	190.87
CTC-1864335	P-UB-10	2-1/2 X 6	317.15	CTC-1890267	P-UB-10	3-1/2 X 8-1/4	362.56
CTC-1864336	P-UB-10	2-1/2 X 4-1/4	124.30	CTC-1890268	P-U-10	2-3/4 X 5	105.31
CTC-1864337	P-UB-10	2-1/2 X 4-1/4	68.57	CTC-1890269	P-UB-10	3 X 6-1/2	246.67
CTC-1864338	P-UB-10	2-1/2 X 4	111.96	CTC-1890271	P-UB-10	2-3/8 X 3-3/4	72.52
CTC-1864339	P-UB-10	2-1/2 X 6-1/2	273.40	CTC-1890272	P-UB-10	4-3/4 X 6	459.18
CTC-1864340	P-UB-10	2-1/2 X 6	142.77	CTC-1890273	P-UB-10	3 X 4	285.93
CTC-1864341	P-UB-10	2-1/2 X 3-3/4	75.00	CTC-1890274	P-UB-10	2-5/8 X 5-1/4	292.39
CTC-1864342	P-UB-10	2-1/2 X 5-1/2	222.94	CTC-1890281	P-UB-10	100 X 140 mm	549.71
CTC-1864349	P-U-10	2-1/2 X 6	118.76	CTC-1890282	P-UB-10	100 x 140 mm	397.88
CTC-1864350	P-UB-10	2-1/2 X 4-3/4	163.44	CTC-1891778	I-U-10	6 X 8-1/4	683.29
CTC-1864351	P-UB-10	2-1/2 X 6	184.58	CTC-1891796	I-U-10	7-1/4 X 10-1/4	990.26
CTC-1864356	P-UB-10	2-1/2 X 5-1/2	244.84	CTC-1895369	P-UB-10	3-1/4 X 7	274.85
CTC-1864357	P-UB-10	2-1/2 X 6-1/2	128.68	CTC-1895370	P-UB-10	3-1/4 X 7	314.89
CTC-1864358	P-U-10	2-1/2 X 5-1/2	75.01	CTC-1895371	P-UB-10	3-1/4 X 7	363.15
CTC-1864359	P-UB-10	2-1/2 X 4-3/4	183.70	CTC-1895373	P-UB-10	3-1/4 X 8-1/4	230.96
CTC-1864362	P-UB-10	2-1/2 X 4-1/2	100.19	CTC-1895374	P-UB-10	3-1/4 X 7	148.31
CTC-1864363	P-UB-10	2-1/2 X 5	111.22	CTC-1895375	P-UB-10	3-1/4 X 7	204.23
CTC-1864365	P-UB-10	2-1/2 X 5	96.66	CTC-1895377	P-UB-10	3-1/4 x 9-1/4	330.69
CTC-1864366	P-UB-10	2-1/2 X 5	233.60	CTC-1895378	P-UB-10	3-1/4 X 9-1/4	315.49
CTC-1864368	P-UB-10	2-1/2 X 6	102.99	CTC-1895379	P-UB-10	3-1/4 X 9-1/4	337.59
CTC-1864369	P-UB-10	2-1/2 X 3-3/4	181.67	CTC-1895381	P-UB-10	3-1/4 X 5-1/2	197.95
CTC-1864371	P-UB-10	2-1/2 X 4	176.71	CTC-1895382	P-UB-10	3-1/4 X 5-1/2	399.75
CTC-1864373	P-UB-10	2-1/2 X 4-1/4	140.74	CTC-1895383	P-UB-10	3-1/4 X 8-1/4	380.11
CTC-1864375	P-UB-10	2-1/2 X 5-1/2	260.45	CTC-1895384	P-UB-10	3-1/4 X 7-3/4	247.98
CTC-1864378	P-UB-10	2-1/2 X 4-3/4	121.83	CTC-1895386	P-UB-10	3-1/4 X 7-1/4	349.28
CTC-1864379	P-UB-10	2-1/2 X 4	187.02	CTC-1895387	P-UB-10	3-1/4 X 6-1/2	288.41
CTC-1864380	P-UB-10	2-1/2 X 4	229.02	CTC-1905431	P-UB-10	3-1/4 X 8-1/4	285.39
CTC-1864381	P-UB-10	2-1/2 X 4-3/4	213.10	CTC-1905432	P-UB-10	3-1/4 X 9-1/4	475.23
CTC-1864382	P-UB-10	2-1/2 X 4-3/4	130.14	CTC-1905434	P-UB-10	3-1/4 X 9-1/4	345.08
CTC-1864383	P-UB-10	2-1/2 X 5	200.76	CTC-1908141	P-UB-10	2-1/2 X 4-1/2	232.66
CTC-1864386	P-UB-10	2-1/2 X 6-1/2	107.17	CTC-1912319	P-UB-10	3-1/4 X 5-1/2	263.78
CTC-1864388	P-UB-10	2-1/2 X 6-1/2	237.11	CTC-1912321	P-UB-10	3 X 5-1/2	270.24
CTC-1864389	P-U-10	2-1/2 X 5	162.30	CTC-1912322	P-UB-10	3 X 5-1/2	164.66
CTC-1864391	P-UB-10	2-1/2 X 4-1/2	109.70	CTC-1912430	P-U-10	3 X 6-1/2	178.44
CTC-1864392	P-UB-10	2-1/2 X 4	231.14	CTC-1912432	P-UB-10	3 X 6-1/2	144.82
CTC-1864393	P-UB-10	2-1/2 X 7-1/4	251.57	CTC-1912433	P-UB-10	3 X 7-1/4	307.25
CTC-1864394	P-UB-10	2-1/2 X 4-3/4	237.26	CTC-1912434	P-UB-10	3 X 7-1/4	183.19
CTC-1864396	P-UB-10	2-1/2 X 5-1/2	274.38	CTC-1913170	P-UB-10	110 X 170 mm	559.83
CTC-1864397	P-UB-10	2-1/2 X 5-1/4	245.05	CTC-1913171	P-UB-10	110 X 170 mm	329.72

CATERPILLAR®

REPLACEMENT KITS FOR CATERPILLAR® EQUIPMENT

NOTE: CATERPILLAR kit numbers are used as a reference only. We do not imply that these kits are original REPLACEMENT KITS.

Kit Number	Code (Pg. xiv)	Rod X Bore Size	List Price	Kit Number	Code (Pg. xiv)	Rod X Bore Size	List Price
CTC-1913564	P-UB-10	3 X 6-1/2	\$134.94	CTC-1932346	P-UB-10	3-1/2 X 6	\$418.94
CTC-1913565	P-UB-10	3 X 6-1/2	166.85	CTC-1932347	P-UB-10	3 X 5	251.31
CTC-1915027	I-U-10	2-3/4 X 4	161.05	CTC-1932348	P-UB-10	3 X 7	353.77
CTC-1915028	P-UB-10	3 X 4-3/4	154.40	CTC-1933088	P-UB-10	1-7/8 X 3-1/4	120.16
CTC-1915029	P-UB-10	3 X 4-3/4	329.68	CTC-1933089	P-UB-10	2-3/4 X 5	176.97
CTC-1915030	P-UB-10	3 X 4-3/4	222.21	CTC-1933090	P-UB-10	2-3/4 X 6-1/2	268.26
CTC-1915031	P-UB-10	3 X 6	183.64	CTC-1933091	P-UB-10	2-3/4 X 7-1/4	216.24
CTC-1915619	P-UB-10	105 X 150 mm	222.49	CTC-1933092	P-UB-10	2-3/4 X 6-1/2	113.02
CTC-1915649	P-UB-10	115 X 170 mm	435.81	CTC-1933093	P-UB-10	2-3/4 X 5-1/2	207.82
CTC-1916508	P-UB-10	3 X 7-1/4	215.76	CTC-1933094	P-UB-10	2-3/4 X 7	343.72
CTC-1916511	P-UB-10	3 X 7-1/4	237.01	CTC-1933096	P-UB-10	3-1/2 X 7-1/2	381.21
CTC-1917692	P-UB-10	3 X 6-1/4	228.61	CTC-1933097	P-UB-10	2-3/4 X 6-1/2	132.16
CTC-1917693	P-UB-10	3-1/4 X 9-1/4	434.61	CTC-1933098	P-UB-10	4 X 10	316.61
CTC-1917694	P-UB-10	3 X 6-1/4	298.24	CTC-1933099	P-UB-10	4 X 10	458.87
CTC-1917696	P-UB-10	3-1/4 X 9-1/4	491.70	CTC-1933102	P-UB-10	4 X 9-1/4	432.15
CTC-1917721K	P-UB-10	1-1/2 X 3	56.90	CTC-1933103	P-UB-10	4 X 10-1/2	525.22
CTC-1917725K	P-UB-10	1-1/2 X 3	56.90	CTC-1933104	P-UB-10	2-3/4 X 6-1/2	310.76
CTC-1917753K	P-UB-10	2-3/8 X 4-1/2	112.59	CTC-1933106	P-UB-10	2-3/4 X 5-1/2	275.01
CTC-1917839K	I-UB-10	2-3/4 X 3-3/4	110.56	CTC-1933108	P-UB-10	2-3/4 X 7	352.33
CTC-1918161K	P-UB-10	2 X 4	64.13	CTC-1933112	P-UB-10	4 X 9-1/4	322.11
CTC-1919203	P-UB-10	3 X 6-1/4	213.34	CTC-1933114	P-UB-10	2-3/4 X 7-1/4	315.95
CTC-1919204	P-UB-10	3 X 6	223.29	CTC-1933115	P-UB-10	3-1/2 X 8-1/2	489.18
CTC-1919205	P-UB-10	3-1/4 X 8-1/4	220.98	CTC-1933116	P-UB-10	3-1/2 X 7-3/4	207.72
CTC-1919206	P-UB-10	3-1/4 X 6-1/2	273.84	CTC-1933117	P-UB-10	2-3/4 X 4-1/2	153.01
CTC-1919207	P-UB-10	3-1/4 X 9-1/4	332.74	CTC-1934321	P-U-10	50 X 85 mm	184.90
CTC-1919208	P-UB-10	4 X 6-1/2	629.40	CTC-1934322	P-U-10	50 X 90 mm	122.18
CTC-1919209	P-UB-10	3-1/4 X 9-1/4	369.37	CTC-1934323	P-U-10	45 X 75 mm	99.97
CTC-1919212	P-UB-10	3 X 6	235.74	CTC-1934324	P-U-10	50 X 100 mm	174.70
CTC-1919214	P-UB-10	3-1/4 X 6-1/2	326.63	CTC-1934325	P-U-10	50 X 80 mm	159.24
CTC-1919216	P-UB-10	4 X 6-1/2	585.31	CTC-1935427	P-UB-10	2-3/4 X 6	128.93
CTC-1919605	P-U-10	45 X 60 mm	98.11	CTC-1935428	P-UB-10	2-3/4 X 7-1/4	244.85
CTC-1920738	P-UB-10	3-1/4 X 5-1/2	251.47	CTC-1935429	P-UB-10	4 X 7	415.08
CTC-1920739	P-UB-10	3-1/4 X 7-1/4	227.91	CTC-1935431	P-UB-10	2-1/8 X 4	120.16
CTC-1920740	P-UB-10	3-1/4 X 7-1/4	303.58	CTC-1935433	P-UB-10	3-1/2 X 8-1/4	287.98
CTC-1920742	P-UB-10	3 X 4-3/4	275.28	CTC-1935434	P-UB-10	4 X 7	443.57
CTC-1920743	P-UB-10	3 X 5-1/4	334.72	CTC-1935435	P-UB-10	4 X 7	472.87
CTC-1921409	P-UB-10	3 X 7-1/4	229.25	CTC-1935437	P-UB-10	4 X 7	449.48
CTC-1921411	P-UB-10	3 X 4-1/2	261.62	CTC-1935438	P-UB-10	2-3/4 X 6	92.75
CTC-1922811K	P-UB-10	2-1/4 X 4-1/2	101.09	CTC-1935440	P-UB-10	2-3/4 X 7-1/4	344.90
CTC-1923003	P-UB-10	3 X 8-1/4	420.73	CTC-1937619	P-UB-10	2-3/4 X 5	237.49
CTC-1923004	P-UB-10	3-1/4 X 6	289.36	CTC-1937620	P-UB-10	2-3/4 X 4-1/4	118.05
CTC-1923006	P-UB-10	3 X 5-1/4	250.77	CTC-1937621	P-UB-10	2-3/4 X 5-1/2	192.81
CTC-1923007	P-UB-10	3 X 4-3/4	244.03	CTC-1937622	P-UB-10	3-1/2 X 7-1/2	207.94
CTC-1923008	P-UB-10	3 X 4-3/4	212.75	CTC-1937623	P-UB-10	2-3/4 X 6	203.67
CTC-1923009	P-UB-10	2-3/4 X 6-1/4	333.56	CTC-1937624	P-UB-10	2-3/4 X 6-1/2	217.13
CTC-1923010	P-UB-10	3 X 5-1/4	183.16	CTC-1937625	P-UB-10	4 X 6	285.02
CTC-1923884K	P-UB-10	2 X 75 mm	94.04	CTC-1937626	P-UB-10	1-7/8 X 3	274.65
CTC-1926445K	P-UB-10	3-1/2 X 9-1/4	265.64	CTC-1937628	P-UB-10	3-1/2 X 8-1/4	433.48
CTC-1926446K	P-UB-10	3-1/2 X 9-1/4	265.64	CTC-1937629	P-UB-10	2-3/4 X 4-1/4	204.05
CTC-1932344	P-UB-10	3-1/2 X 6	366.93	CTC-1937630	P-UB-10	2-3/4 X 5-1/2	271.71
CTC-1932345	P-UB-10	3 X 5-1/4	215.67	CTC-1937631	P-UB-10	2-3/4 X 5-1/2	291.56

CATERPILLAR®

REPLACEMENT KITS FOR CATERPILLAR® EQUIPMENT

NOTE: CATERPILLAR kit numbers are used as a reference only. We do not imply that these kits are original REPLACEMENT KITS.

Kit Number	Code (Pg. xiv)	Rod X Bore Size	List Price
CTC-1937633	P-UB-10	3-1/2 X 7-1/2	\$328.67
CTC-1937635	P-UB-10	3-1/2 X 6-1/4	329.28
CTC-1937637	P-UB-10	3-1/2 X 8-1/4	381.74
CTC-1937639	P-UB-10	2-3/4 X 5-1/2	164.75
CTC-1937640	P-UB-10	3-1/2 X 6-1/4	287.11
CTC-1937852K	P-U-10	45 X 75 mm	100.03
CTC-1937855K	P-U-10	45 X 80 mm	86.79
CTC-1937859K	P-U-10	45 X 85 mm	101.76
CTC-1939260	P-UB-10	4 X 8-1/2	474.86
CTC-1939261	P-UB-10	3-3/4 X 6	327.91
CTC-1939263	P-UB-10	3-3/4 X 6	350.57
CTC-1939264	P-UB-10	3-1/2 X 7-1/4	238.83
CTC-1939265	P-UB-10	3-1/2 X 4-1/2	376.12
CTC-1939266	P-UB-10	3-1/2 X 10	466.42
CTC-1939267	P-UB-10	2-3/4 X 6	230.03
CTC-1939269	P-UB-10	2-3/4 X 5-1/2	167.61
CTC-1939270	I-UB-10	2-3/4 X 3-3/4	139.64
CTC-1942756	P-UB-10	3-1/2 X 4-1/2	453.42
CTC-1944389	P-UB-10	3-3/4 X 6-1/2	263.53
CTC-1944393	P-UB-10	3-3/4 X 6-1/2	263.77
CTC-1944395	P-UB-10	7 X 11	1,312.45
CTC-1944396	P-UB-10	4 X 4-1/2	334.62
CTC-1944397	P-UB-10	2-3/4 X 4	226.83
CTC-1944398	P-UB-10	4 X 4-1/2	314.86
CTC-1944399	P-UB-10	3-1/2 X 4-1/2	335.31
CTC-1945583	P-UB-10	2-3/8 X 4-1/2	111.97
CTC-1945586	P-UB-10	3-1/2 X 10-1/2	498.26
CTC-1945587	P-UB-10	3-1/2 X 8-1/4	260.29
CTC-1945588	P-UB-10	7 X 11	795.96
CTC-1945591	P-UB-10	4-1/4 X 6-1/2	540.24
CTC-1945593	P-V-10	1-1/4 X 4	176.51
CTC-1945594	P-UB-10	4-3/4 X 7-1/4	544.48
CTC-1945596	P-UB-10	3-3/4 X 7-3/4	308.09
CTC-1945600	P-UB-10	2-3/8 X 4	77.37
CTC-1945603	I-UB-10	2-3/4 X 3-3/4	119.95
CTC-1945604	P-UB-10	2-1/8 X 4	222.29
CTC-1945605	P-UB-10	4-1/4 X 6-1/2	439.61
CTC-1945606	P-UB-10	4-1/4 X 7-3/4	349.68
CTC-1945608	P-UB-10	4 X 8-1/2	385.48
CTC-1945610	P-UB-10	4-3/4 X 7-1/4	478.14
CTC-1945611	P-UB-10	4-3/4 X 7	438.40
CTC-1945612	P-UB-10	4-3/4 X 6-1/2	424.41
CTC-1945614	I-UB-10	2-1/2 X 3-1/2	255.28
CTC-1948235	P-UB-10	110 X 160 mm	324.60
CTC-1948363	P-UB-10	100 X 140 mm	551.95
CTC-1948366	P-UB-10	105 X 150 mm	514.22
CTC-1948396	P-UB-10	110 X 160 mm	290.49
CTC-1978079K	P-UB-10	2-1/2 X 4	67.52
CTC-1978083K	P-UB-10	2-1/2 X 4	67.52
CTC-1980648K	I-U-10	45 mm X 60	64.22
CTC-1987021K	P-U-10	50 X 80 mm	159.29

Kit Number	Code (Pg. xiv)	Rod X Bore Size	List Price
CTC-1989433	P-U-10	55 X 100 mm	\$119.87
CTC-1990609	P-U-10	55 X 85 mm	113.76
CTC-1991149	P-U-10	45 X 75 mm	95.89
CTC-1992097	P-U-10	50 X 90 mm	132.34
CTC-1992402	P-U-10	55 X 100 mm	121.98
CTC-1997416	P-UB-10	105 X 150 mm	282.84
CTC-1997417	P-UB-10	110 X 170 mm	306.06
CTC-2000920	P-U-10	70 X 130 mm	205.39
CTC-2003239	P-UB-10	75 X 120 mm	114.48
CTC-2003240	P-UB-10	70 X 100 mm	132.08
CTC-2003242	P-UB-10	55 X 100 mm	193.63
CTC-2003315	P-UB-10	105 X 150 mm	222.49
CTC-2003361	P-UB-10	75 X 130 mm	271.55
CTC-2003495	P-UB-10	140 X 200 mm	377.82
CTC-2003497	P-UB-10	150 X 220 mm	663.99
CTC-2003498	P-UB-10	130 X 190 mm	429.16
CTC-2003499	P-UB-10	130 X 180 mm	416.27
CTC-2003572	P-UB-10	110 X 160 mm	320.85
CTC-2003621	P-UB-10	130 X 190 mm	633.90
CTC-2007128K	P-UB-10	2 X 4	64.19
CTC-2011056K	P-UB-10	1-1/2 X 2-3/4	59.43
CTC-2014838	P-UB-10	3 X 4-3/4	302.30
CTC-2022263	P-UB-10	100 X 140 mm	470.67
CTC-2022264	P-UB-10	105 X 150 mm	497.07
CTC-2027897	I-U-5	40 X 60 mm	56.71
CTC-2028910K	P-U-10	4 X 5-1/4	191.14
CTC-2037756K	P-U-10	75 X 125 mm	198.90
CTC-2037847K	P-U-10	45 X 75 mm	65.57
CTC-2037847K2	P-U-10	45 X 75 mm	74.07
CTC-2041129	P-UB-10	1-3/4 X 3-1/2	192.49
CTC-2042721	P-UB-10	110 X 160 mm	318.52
CTC-2042726	P-UB-10	145 X 210 mm	480.43
CTC-2043398	P-UB-10	2-1/2 X 4-1/2	270.32
CTC-2043616	P-UB-10	100 X 140 mm	211.41
CTC-2043625	P-UB-10	85 X 120 mm	326.75
CTC-2043626	P-UB-10	100 X 140 mm	259.58
CTC-2043627	P-UB-10	85 X 120 mm	191.82
CTC-2043628	P-UB-10	85 X 125 mm	206.41
CTC-2043629	P-UB-10	90 X 130 mm	372.23
CTC-2043630	P-UB-10	90 X 130 mm	347.18
CTC-2043692	P-UB-10	85 X 120 mm	203.28
CTC-2044916K	P-UB-10	145 X 210 mm	624.18
CTC-2047813K	P-U-10	2 X 100 mm	104.35
CTC-2050055K	P-U-10	2 X 100 mm	104.35
CTC-2058668	P-UB-10	3 X 7-1/4	335.77
CTC-2060520K	P-UB-10	2-1/8 X 4	111.70
CTC-2060522K	P-UB-10	2-1/8 X 4	111.70
CTC-2062857	P-UB-10	3-1/4 X 5-1/2	333.30
CTC-2063805	P-U-10	45 X 65 mm	134.74
CTC-2072068K	P-U-10	55 X 125 mm	204.61
CTC-2072084	I-U-15	50 X 90 mm	481.05

CATERPILLAR®

REPLACEMENT KITS FOR CATERPILLAR® EQUIPMENT

NOTE: CATERPILLAR kit numbers are used as a reference only. We do not imply that these kits are original REPLACEMENT KITS.

Kit Number	Code (Pg. xiv)	Rod X Bore Size	List Price	Kit Number	Code (Pg. xiv)	Rod X Bore Size	List Price
CTC-2089504	P-UB-10	105 X 150 mm	\$177.52	CTC-2171643	P-U-10	55 X 85 mm	\$195.52
CTC-2089505	P-UB-10	150 X 220 mm	480.54	CTC-2172886	I-U-10	38 X 85 mm	185.27
CTC-2089506	P-UB-10	140 X 200 mm	694.14	CTC-2179894	P-UB-10	55 X 4-1/2	167.45
CTC-2089508	P-UB-10	100 X 140 mm	196.87	CTC-2186822	P-U-10	35 X 70 mm	101.27
CTC-2089509	P-UB-10	90 X 130 mm	442.67	CTC-2186823	P-U-10	40 X 60 mm	81.28
CTC-2092101	P-UB-10	3 X 5-1/2	244.93	CTC-2186824	P-U-10	45 X 65 mm	85.76
CTC-2094979	P-UB-10	1-7/8 X 3-1/4	61.97	CTC-2186825	P-U-10	30 X 65 mm	78.42
CTC-2095873	P-UB-10	90 X 130 mm	531.60	CTC-2186826	P-U-10	35 X 50 mm	52.22
CTC-2095874	P-UB-10	100 X 140 mm	348.43	CTC-2186827	P-U-10	45 X 60 mm	78.77
CTC-2095959	P-UB-10	95 X 130 mm	648.96	CTC-2190541K	P-U-10	40 X 65 mm	62.44
CTC-2101427	P-UB-10	90 X 160 mm	468.53	CTC-2191322	P-U-5	40 X 70 mm	47.37
CTC-2106150	P-UB-10	105 X 150 mm	401.74	CTC-2199066	P-U-10	55 X 95 mm	220.45
CTC-2106151	P-UB-10	105 X 150 mm	473.39	CTC-2222376	P-UB-10	65 X 100 mm	209.81
CTC-2107077K	P-UB-10	2-1/4 X 4-1/4	80.38	CTC-2235944	I-UB-10	2-3/4 X 3-3/4	108.68
CTC-2107078K	P-UB-10	2-1/4 X 4-1/4	77.13	CTC-2235945	I-UB-10	2-1/2 X 3-1/2	90.88
CTC-2107081K	P-UB-10	65 mm X 4-3/4	259.14	CTC-2245091K	P-UB-10	1-1/2 X 3	45.97
CTC-2107082K	P-UB-10	65 mm X 4-3/4	259.14	CTC-2251846K	P-U-10	4 X 5-1/4	191.14
CTC-2107085K	I-UB-10	2-3/8 X 85 mm	81.55	CTC-2254625	P-UB-10	110 X 160 mm	370.05
CTC-2107087K	I-UB-10	2-1/2 X 3-1/2	49.69	CTC-2254646	P-UB-10	130 X 190	441.14
CTC-2107088K	I-UB-10	2-1/2 X 3-1/2	45.99	CTC-2256727K	P-UB-10	3 X 4-3/4	179.96
CTC-2107091K	P-UB-10	2-1/2 X 5	103.47	CTC-2269959K	P-U-10	35 X 65 mm	70.68
CTC-2110620	P-UB-10	2-1/2 X 5-1/4	240.81	CTC-2270841K	P-UB-10	2-1/2 X 6	99.98
CTC-2115306	P-UB-10	140 X 200 mm	624.26	CTC-2275347	P-UB-10	2-1/2 X 5	128.71
CTC-2118740	P-UB-10	85 X 130 mm	413.06	CTC-2275348	P-UB-10	2-3/4 X 4-1/2	165.03
CTC-2118742	P-UB-10	2-1/2 X 4	231.42	CTC-2275349	P-UB-10	3 X 4-3/4	136.11
CTC-2119614	P-UB-10	90 X 130 mm	216.63	CTC-2275350	P-UB-10	1-3/4 X 3	45.88
CTC-2126328K	P-U-10	35 X 65 mm	70.68	CTC-2280320K	P-UB-10	2 X 4	96.80
CTC-2126329K	P-U-10	40 X 70 mm	59.96	CTC-2280806	P-UB-10	3 X 7	398.94
CTC-2126337K	P-U-10	45 X 75 mm	83.09	CTC-2280807	P-UB-10	3 X 6-1/4	365.16
CTC-2138433	I-U-10	2-1/2 X 5	17.12	CTC-2280808	P-UB-10	2-3/4 X 6-1/4	333.56
CTC-2144502	P-UB-10	100 X 140 mm	211.41	CTC-2280809	P-UB-10	2-3/4 X 5-1/2	167.61
CTC-2146321	P-UB-10	100 X 140 mm	525.95	CTC-2281775	P-UB-10	3-1/2 X 7-3/4	218.80
CTC-2147581	P-UB-10	100 X 140 mm	527.31	CTC-2281776	P-UB-10	3 X 5-1/4	148.68
CTC-2149170	P-UB-10	3-1/4 X 8-1/4	232.74	CTC-2281778	P-UB-10	2 X 3-1/2	106.58
CTC-2152023	I-U-10	36 X 65 mm	146.53	CTC-2281779	P-UB-10	3-1/4 X 7	206.01
CTC-2152436	P-UB-10	4-3/4 X 7	489.51	CTC-2281780	P-UB-10	3-1/4 X 8-1/4	324.55
CTC-2159984	P-UB-10	95 X 130 mm	148.92	CTC-2281792	P-UB-10	3-1/4 X 7	196.23
CTC-2159985	P-UB-10	100 X 140 mm	168.04	CTC-2281793	P-UB-10	3 X 6	198.65
CTC-2159986	P-UB-10	90 X 130 mm	171.53	CTC-2281795	P-UB-10	1-3/4 X 3-1/2	134.61
CTC-2159988	P-UB-10	110 X 160 mm	274.03	CTC-2282533	P-UB-10	3-1/2 X 9-1/4	431.94
CTC-2159989	P-UB-10	110 X 160 mm	349.34	CTC-2285271	P-UB-10	2-1/2 X 4-3/4	110.17
CTC-2159990	P-UB-10	110 X 170	303.57	CTC-2285272	P-UB-10	2-1/2 X 4-3/4	121.83
CTC-2159995	P-UB-10	140 X 200 mm	520.20	CTC-2285273	P-UB-10	2-1/2 X 5-1/2	114.23
CTC-2159996	P-UB-10	130 X 180 mm	392.32	CTC-2285274	P-UB-10	2-3/4 X 5-1/2	297.31
CTC-2159999	P-UB-10	145 X 210 mm	480.43	CTC-2285275	P-UB-10	2-3/4 X 5-1/2	254.10
CTC-2167247	P-U-10	55 X 100 mm	184.75	CTC-2290334	P-UB-10	3-1/4 X 7	245.89
CTC-2167388K	P-UB-10	1-1/2 X 2-3/4	59.43	CTC-2292626	P-UB-10	2-1/2 X 4	134.95
CTC-2167644	P-U-10	50 X 85 mm	120.59	CTC-2292758	P-UB-10	3 X 4-1/2	116.56
CTC-2167858	P-UB-10	2-1/2 X 4	143.37	CTC-2292968	P-UB-10	3 X 4-3/4	316.06
CTC-2168100	P-U-10	45 X 70 mm	260.53	CTC-2293635	P-UB-10	3-1/2 X 6-1/4	391.32
CTC-2171007	P-UB-10	105 X 180 mm	455.30	CTC-2293636	P-UB-10	3-1/2 X 6-1/4	436.86

CATERPILLAR®

REPLACEMENT KITS FOR CATERPILLAR® EQUIPMENT

NOTE: CATERPILLAR kit numbers are used as a reference only. We do not imply that these kits are original REPLACEMENT KITS.

Kit Number	Code (Pg. xiv)	Rod X Bore Size	List Price
CTC-2295507	P-UB-10	4 X 7	\$332.42
CTC-2295538	P-UB-10	2-1/2 X 4	228.07
CTC-2295546	P-UB-10	4-1/2 X 220 mm	507.05
CTC-2295549	P-UB-10	5 X 220 mm	689.56
CTC-2297173	P-UB-10	3-1/4 X 8-1/2	422.09
CTC-2297189	P-UB-10	7 X 11	866.75
CTC-2297190	P-UB-10	5-1/2 X 11	622.14
CTC-2297191	P-UB-10	3-1/4 X 5-1/2	316.33
CTC-2297194	P-UB-10	2-1/2 X 4-1/2	75.66
CTC-2304001	P-UB-10	110 X 180 mm	360.32
CTC-2309267K	P-U-10	45 X 85 mm	110.12
CTC-2309357	I-U-10	1-1/2 X 3	76.03
CTC-2310898	P-UB-10	2-1/2 X 4-1/2	103.44
CTC-2315021	I-UB-10	2-3/4 X 3-3/4	101.67
CTC-2316844	P-UB-10	115 X 170 mm	435.81
CTC-2316845	P-UB-10	115 X 170 mm	444.94
CTC-2330761	P-UB-10	95 X 130 mm	482.92
CTC-2330763	P-UB-10	100 X 170 mm	308.25
CTC-2330764	P-UB-10	95 X 160 mm	278.25
CTC-2331014	P-U-10	70 X 100 mm	110.17
CTC-2332622	P-UB-10	50 X 100 mm	85.34
CTC-2332623	P-UB-10	55 X 100 mm	148.51
CTC-2332628	P-U-10	1-7/8 X 3-1/4	190.08
CTC-2339204	P-UB-10	1-1/2 X 2-3/4	85.83
CTC-2339205	P-UB-10	2 X 4	59.01
CTC-2341902	I-U-15	30 mm X 50 mm	29.94
CTC-2341948	P-UB-10	2-1/2 X 4-3/4	124.29
CTC-2341949	P-UB-10	2-1/2 X 4	67.52
CTC-2341950	P-UB-10	2-1/2 X 5-1/4	159.15
CTC-2341951	P-UB-10	2-1/2 X 4-1/4	226.86
CTC-2342590	P-UB-10	5-1/2 X 10-1/2	724.73
CTC-2342591	P-UB-10	2-1/4 X 4	88.48
CTC-2342592	P-UB-10	1-1/2 X 2-1/2	169.96
CTC-2342593	P-UB-10	1-7/8 X 3-1/4	87.07
CTC-2342594	P-UB-10	1-3/4 X 3	54.02
CTC-2342595	P-UB-10	1-3/4 X 2-3/4	190.69
CTC-2344442	P-UB-10	110 X 170 mm	327.60
CTC-2344488	P-UB-10	95 X 135 mm	196.26
CTC-2344566	P-UB-10	100 X 140 mm	200.54
CTC-2344576	P-UB-10	105 X 150 mm	460.60
CTC-2344587	P-UB-10	95 X 135 mm	184.02
CTC-2344666	P-UB-10	140 X 200 mm	476.32
CTC-2344667	P-UB-10	150 X 220 mm	958.21
CTC-2344673	P-UB-10	130 X 180 mm	403.44
CTC-2344674	P-UB-10	110 X 160 mm	302.76
CTC-2350351	P-UB-10	1-3/4 X 2-3/4	198.90
CTC-2350352	P-UB-10	1-3/4 X 2-3/4	138.06
CTC-2350353	P-UB-10	1-3/4 X 3	195.71
CTC-2350354	P-UB-10	1-1/2 X 3	47.14
CTC-2350355	P-UB-10	2-1/4 X 3-1/2	220.01
CTC-2350969	P-UB-10	2-1/4 X 3-3/4	228.34

Kit Number	Code (Pg. xiv)	Rod X Bore Size	List Price
CTC-2350970	P-UB-10	2-5/8 X 5-1/4	\$146.58
CTC-2350972	P-UB-10	2-3/8 X 4-1/2	87.41
CTC-2350973	P-UB-10	2-3/8 X 4-3/4	137.14
CTC-2350974	P-UB-10	3-1/2 X 7	187.64
CTC-2355802	P-UB-10	2-3/4 X 6-1/2	99.61
CTC-2355804	P-UB-10	2-3/4 X 6-1/2	274.14
CTC-2359829K	P-UB-10	2-1/2 X 4-1/2	75.62
CTC-2366368	P-UB-10	85 X 120 mm	150.28
CTC-2366389	P-U-10	85 X 120 mm	150.28
CTC-2369769K	P-UB-10	3 X 4-3/4	137.69
CTC-2370922	P-UB-10	2-1/4 X 4-1/2	131.45
CTC-2375448	P-UB-10	4 X 230 mm	552.61
CTC-2378277	P-UB-10	2 X 4	70.80
CTC-2378313	P-UB-10	3 X 6	295.88
CTC-2384462	P-UB-10	2 X 3	61.50
CTC-2384487	P-V-10	2 X 5	77.16
CTC-2384501	P-UB-10	2 X 4-1/4	58.37
CTC-2386661	P-UB-10	2 X 3-1/4	57.71
CTC-2386718	P-UB-10	2 X 4-1/2	56.77
CTC-2386859	P-UB-10	2 X 3-1/2	93.43
CTC-2386882	P-U-10	2 X 4-1/2	208.27
CTC-2392956	P-U-10	25 X 50 mm	46.25
CTC-2395021	P-UB-10	7-1/2 X 11	753.65
CTC-2401661	P-UB-10	1-3/4 X 3-1/2	108.87
CTC-2401671	P-UB-10	1-3/4 X 3-1/4	51.39
CTC-2401881	P-UB-10	1-3/4 X 3-1/2	98.74
CTC-2401905	P-UB-10	1-3/4 X 4	141.95
CTC-2402016	P-UB-10	1-3/4 X 3	56.96
CTC-2402481	P-UB-10	1-3/4 X 3-3/4	62.04
CTC-2402482	P-UB-10	1-3/4 X 2-3/4	56.36
CTC-2402484	P-UB-10	1-3/4 X 2-1/2	151.78
CTC-2404713	P-UB-10	1-3/4 X 2-3/4	136.83
CTC-2404819	P-UB-10	1-3/4 X 4	149.01
CTC-2405500	P-UB-10	1-3/4 X 2-1/2	79.10
CTC-2405524	P-UB-10	1-3/4 X 3	166.25
CTC-2406029K	I-UB-10	2-3/4 X 3-3/4	101.67
CTC-2406030K	I-UB-10	2-3/4 X 3-3/4	101.67
CTC-2406869	P-UB-10	2 X 3-3/4	173.19
CTC-2406883	P-UB-10	2 X 5	239.37
CTC-2406899	P-UB-10	2 X 4	59.01
CTC-2407308	P-UB-10	2 X 3-1/2	97.13
CTC-2407347K	P-UB-10	3-1/2 X 7-1/4	254.32
CTC-2408479	P-U-10	2 X 5	222.53
CTC-2408513	P-V-10	2 X 4	221.94
CTC-2408515	P-U-10	2 X 3-1/2	147.72
CTC-2408523	P-UB-10	2 X 4-1/4	79.02
CTC-2408525	P-UB-10	2 X 3-1/4	63.37
CTC-2409518	P-UB-10	2 X 3-3/4	210.41
CTC-2409538	P-UB-10	2 X 4	94.69
CTC-2409936	P-UB-10	2 X 4-1/2	193.04
CTC-2409938	P-UB-10	2 X 4-1/4	166.85

CATERPILLAR®

REPLACEMENT KITS FOR CATERPILLAR® EQUIPMENT

NOTE: CATERPILLAR kit numbers are used as a reference only. We do not imply that these kits are original REPLACEMENT KITS.

Kit Number	Code (Pg. xiv)	Rod X Bore Size	List Price	Kit Number	Code (Pg. xiv)	Rod X Bore Size	List Price
CTC-2409939	P-UB-10	2 X 4-1/4	\$193.18	CTC-2422558	P-UB-10	2-1/2 X 6	\$92.25
CTC-2409941	P-UB-10	2 X 4	213.31	CTC-2424270K	P-UB-10	3-1/4 X 6-1/4	288.11
CTC-2409942	P-UB-10	2 X 4-1/2	221.68	CTC-2424271K	P-UB-10	3-1/4 X 5-3/4	347.56
CTC-2410108	P-U-10	2 X 4-3/4	216.23	CTC-2424272K	P-UB-10	3-1/4 X 5-3/4	347.56
CTC-2410109	P-UB-10	2 x 75 mm	125.15	CTC-2424273K	P-UB-10	3-1/4 X 170 mm	300.11
CTC-2410110	P-UB-10	2 x 85 mm	169.26	CTC-2426770K	P-UB-10	90 X 130 mm	186.46
CTC-2410895	P-UB-10	2-1/4 X 5	83.89	CTC-2426840	P-UB-10	105 X 150 mm	240.72
CTC-2410896	P-UB-10	2-1/4 X 4-1/2	103.75	CTC-2430381	P-UB-10	2-1/2 X 5-1/2	102.01
CTC-2410897	P-UB-10	2-1/4 X 4-1/2	63.36	CTC-2430382	P-UB-10	2-1/2 X 6-1/2	150.21
CTC-2410898	P-UB-10	2-1/4 X 4-1/4	77.72	CTC-2430383	P-UB-10	2-1/2 X 5-1/2	86.50
CTC-2410899	P-UB-10	2-1/4 X 4	190.68	CTC-2430384	P-UB-10	2-1/2 X 5	111.22
CTC-2410900	P-UB-2	2-1/4 X 3-3/4	56.03	CTC-2430386	P-UB-10	2-1/2 X 5	96.66
CTC-2410901	P-UB-10	2-1/4 X 4	76.08	CTC-2430387	P-UB-10	2-1/2 X 5	285.77
CTC-2410902	P-UB-10	2-1/4 X 4-3/4	105.94	CTC-2430388	P-UB-10	2-1/2 X 6	97.78
CTC-2410903	P-UB-10	2-1/4 X 3-1/2	106.13	CTC-2430389	P-UB-10	2-1/2 X 3-3/4	209.19
CTC-2414062K	P-UB-10	3 X 5	175.58	CTC-2430391	P-UB-10	2-1/2 X 4	92.38
CTC-2414071K	P-UB-10	3 X 4-1/2	155.17	CTC-2430393	P-UB-10	2-1/2 X 4-1/4	254.92
CTC-2417578	P-UB-10	2-1/4 X 5	87.32	CTC-2430395	P-UB-10	2-1/2 X 5-1/2	290.40
CTC-2417579	P-UB-10	2-1/4 X 4-1/4	229.23	CTC-2430397	P-UB-10	2-1/2 X 4	155.57
CTC-2417580	P-UB-10	2-1/4 X 4-3/4	228.17	CTC-2430398	P-UB-10	2-1/2 X 4-3/4	245.39
CTC-2417584	P-UB-10	2-1/4 X 4-1/2	103.00	CTC-2432276	P-U-10	50 X 85 mm	113.89
CTC-2417585	P-UB-10	2-1/4 X 4-1/2	101.09	CTC-2435796	P-UB-10	2-1/2 X 6-1/2	105.05
CTC-2417619	P-UB-10	145 X 210 mm	610.44	CTC-2435797	P-UB-10	2-1/2 X 6-1/2	283.15
CTC-2418916	P-UB-10	2-1/4 X 3-1/2	255.57	CTC-2435798	P-UB-10	2-1/2 X 4-1/2	103.74
CTC-2418917	P-UB-10	2-1/4 X 4-1/2	240.33	CTC-2435799	P-UB-10	2-1/2 X 7-1/4	271.83
CTC-2418919	P-UB-10	2-1/4 X 4-1/2	247.38	CTC-2435800	P-UB-10	2-1/2 X 4-3/4	242.69
CTC-2418920	P-U-10	2-1/4 X 4-3/4	206.97	CTC-2435801	P-UB-10	2-1/2 X 5-1/2	286.05
CTC-2418921	P-UB-10	2-1/4 X 4	101.56	CTC-2435802	P-UB-10	2-1/2 X 5-1/4	297.62
CTC-2418924	P-UB-10	2-3/4 X 4-1/2	104.24	CTC-2435803	P-UB-10	2-1/2 X 6-1/2	302.17
CTC-2418925	P-UB-10	2-3/8 X 4	77.46	CTC-2435804	P-UB-10	2-1/2 X 4-3/4	238.28
CTC-2419297	P-UB-10	2-1/4 X 4	211.71	CTC-2435805	P-UB-10	2-1/2 X 4-1/2	100.86
CTC-2422538	P-UB-10	2-1/2 X 4-1/4	78.27	CTC-2435806	P-UB-10	2-1/2 X 4-1/2	246.09
CTC-2422539	P-UB-10	2-1/2 X 5-1/2	109.70	CTC-2435808	P-UB-10	2-3/4 X 4-1/2	199.79
CTC-2422540	P-UB-10	2-1/2 X 6	128.30	CTC-2435809	P-U-10	2-3/4 X 5	99.62
CTC-2422541	P-UB-10	2-1/2 X 6-1/2	373.25	CTC-2435810	P-UB-10	2-3/4 X 5-1/4	170.48
CTC-2422542	P-UB-10	2-1/2 X 5	110.85	CTC-2435811	P-UB-10	2-3/4 X 5	84.69
CTC-2422543	P-UB-10	2-1/1 X 4	82.64	CTC-2435812	P-UB-10	2-3/4 X 6-1/2	183.36
CTC-2422544	P-UB-10	2-1/2 X 7-1/4	111.21	CTC-2435814	P-UB-10	2-3/4 X 7-1/4	329.73
CTC-2422545	P-UB-10	2-1/2 X 6	325.26	CTC-2435815	P-UB-10	2-3/4 X 7	309.78
CTC-2422546	P-UB-10	2-1/2 X 4-1/4	85.23	CTC-2435816	P-UB-10	2-3/4 X 6-1/2	126.99
CTC-2422547	P-UB-10	2-1/2 X 4-1/4	78.49	CTC-2435818	P-UB-10	2-3/4 X 7	382.96
CTC-2422548	P-UB-10	2-1/2 X 4	79.07	CTC-2435820	P-UB-10	2-3/4 X 7-1/4	306.07
CTC-2422549	P-UB-10	2-1/2 X 6-1/2	121.39	CTC-2436225	P-UB-10	4-1/4 X 8-1/4	316.65
CTC-2422550	P-UB-10	2-1/2 X 6	148.65	CTC-2440953	P-UB-10	2-3/4 X 6	140.53
CTC-2422551	P-UB-10	2-1/2 X 3-3/4	75.00	CTC-2440954	P-UB-10	2-3/4 X 7-1/4	207.96
CTC-2422552	P-U-10	2-1/2 X 6	240.64	CTC-2440955	P-UB-10	2-3/4 X 6	92.75
CTC-2422553	P-U-10	2-1/2 X 5	112.50	CTC-2440957	P-UB-10	2-3/4 X 7-1/4	389.64
CTC-2422554	P-U-10	2-1/2 X 6-1/2	253.15	CTC-2440958	P-UB-10	2-3/4 X 5	163.34
CTC-2422555	P-U-10	2-1/2 X 6-1/2	252.50	CTC-2440959	P-UB-10	2-3/4 X 4-1/4	137.19
CTC-2422556	P-U-10	2-1/2 X 6	124.73	CTC-2440960	P-UB-10	2-3/4 X 5-1/2	247.24
CTC-2422557	P-U-10	2-1/2 X 6	118.76	CTC-2440961	P-UB-10	2-3/4 X 6	101.15

CATERPILLAR®

REPLACEMENT KITS FOR CATERPILLAR® EQUIPMENT

NOTE: CATERPILLAR kit numbers are used as a reference only. We do not imply that these kits are original REPLACEMENT KITS.

Kit Number	Code (Pg. xiv)	Rod X Bore Size	List Price
CTC-2440962	P-UB-10	2-3/4 X 6-1/2	\$281.26
CTC-2440964	P-UB-10	2-3/4 X 4-1/4	109.34
CTC-2440965	P-UB-10	2-3/4 X 5-1/2	295.74
CTC-2440966	P-UB-10	2-3/4 X 5-1/2	315.18
CTC-2440969	P-UB-10	2-3/4 X 6	276.84
CTC-2440971	P-UB-10	2-3/4 X 4	242.54
CTC-2440972	P-UB-10	2-3/4 X 5	261.43
CTC-2440973	P-UB-10	2-3/4 X 6	306.06
CTC-2440974	P-UB-10	2-3/4 X 5-3/8	154.84
CTC-2440975	P-UB-10	3 X 6-1/2	317.11
CTC-2440976	P-UB-10	3 X 4	104.25
CTC-2440978	P-UB-10	3 X 5-1/2	373.37
CTC-2440979	P-UB-10	3 X 5-1/2	137.80
CTC-2440980	P-UB-10	3 X 6-1/2	210.12
CTC-2442044	P-UB-10	3 X 6-1/2	144.82
CTC-2442046	P-UB-10	3 X 7-1/4	207.86
CTC-2442047	P-UB-10	3 X 7-1/4	347.33
CTC-2442049	P-UB-10	3 X 6-1/2	144.18
CTC-2442050	P-UB-10	3 X 6-1/2	167.01
CTC-2442053	P-UB-10	3 X 6	443.43
CTC-2442054	P-UB-10	3 X 4-3/4	310.80
CTC-2442055	P-UB-10	3 X 6	165.55
CTC-2442056	P-UB-10	3 X 7-1/4	171.81
CTC-2442059	P-UB-10	3 X 7-1/4	319.75
CTC-2442060	P-UB-10	3-1/4 X 6	189.46
CTC-2442061	P-UB-10	3 X 6-1/4	217.50
CTC-2442062	P-UB-10	3 X 6	223.29
CTC-2442064	P-UB-10	3 X 6	96.59
CTC-2442067	P-UB-10	3 X 7-1/4	183.64
CTC-2442069	P-UB-10	3 X 8-1/4	442.44
CTC-2442070	P-UB-10	3 X 4-3/4	244.03
CTC-2442071	P-UB-10	3 X 4-3/4	325.05
CTC-2442072	P-UB-10	3 X 5-1/4	336.72
CTC-2442073	P-UB-10	3 X 5-1/4	142.30
CTC-2442074	P-UB-10	3 X 5	118.88
CTC-2442075	P-UB-10	3 X 4-3/4	303.70
CTC-2442076	P-UB-10	3 X 7-1/4	306.00
CTC-2442077	P-UB-10	3 X 5-1/2	301.25
CTC-2442079	P-UB-10	3-1/4 X 5-1/2	177.53
CTC-2442080	P-UB-10	3-1/4 X 5-1/2	171.60
CTC-2445647	P-UB-10	3-3/4 X 6	327.91
CTC-2450579	P-UB-10	3-1/4 X 5-1/2	221.56
CTC-2450580	P-UB-10	3-1/4 X 8-1/4	371.93
CTC-2450581	P-UB-10	3-1/4 X 7	334.95
CTC-2450582	P-UB-10	3-1/4 X 7	380.19
CTC-2450584	P-UB-10	3-1/4 X 8-1/4	230.96
CTC-2450585	P-UB-10	3-1/4 X 7	148.31
CTC-2450586	P-UB-10	3-1/4 X 7	344.07
CTC-2450588	P-UB-10	3-1/4 X 9-1/4	369.74
CTC-2450589	P-UB-10	3-1/4 X 9-1/4	315.49
CTC-2450590	P-UB-10	3-1/4 X 9-1/4	481.06

Kit Number	Code (Pg. xiv)	Rod X Bore Size	List Price
CTC-2450592	P-UB-10	3-1/4 X 5-1/2	\$200.14
CTC-2450593	P-UB-10	3-1/4 X 8-1/4	397.21
CTC-2450594	P-UB-10	3-1/4 X 7-3/4	247.98
CTC-2450596	P-UB-10	3-1/4 X 7-1/4	245.16
CTC-2450597	P-UB-10	3-1/4 X 6-1/2	306.36
CTC-2450599	P-UB-10	3-1/4 X 8-1/4	186.87
CTC-2450600	P-UB-10	3-1/4 X 9-1/4	342.38
CTC-2450601	P-UB-10	3-1/4 X 5-1/2	466.25
CTC-2450602	P-UB-10	3-1/4 X 9-1/4	485.39
CTC-2450603	P-UB-10	3-1/4 X 9-1/4	508.44
CTC-2450605	P-UB-10	3-1/4 X 8-1/4	303.58
CTC-2450606	P-UB-10	3-1/4 X 6-1/2	351.73
CTC-2450607	P-UB-10	3-1/4 X 9-1/4	372.57
CTC-2450609	P-UB-10	3-1/4 X 9-1/4	386.12
CTC-2450611	P-UB-10	3-1/4 X 6-1/2	341.44
CTC-2450612	P-UB-10	3-1/4 X 5-1/2	325.13
CTC-2450613	P-UB-10	3-1/4 X 7-1/4	311.25
CTC-2450614	P-UB-10	3-1/4 X 7-1/4	303.58
CTC-2450617	P-UB-10	3-1/4 X 6	249.20
CTC-2450620	P-UB-10	3-1/4 X 6-1/4	179.73
CTC-2456815	P-V-10	1-1/4 X 4	43.80
CTC-2456816	P-UB-10	65 mm X 4-3/4	218.34
CTC-2456818	P-U-10	4-1/2,6-3/4 X 6,7-3/4	911.71
CTC-2456819	I,P-UB-10	4-1/2,6-3/4 X 6,7-3/4	1,220.85
CTC-2456821	P-UB-10	8 X 12	1,586.20
CTC-2456824	P-UB-10	3-1/2 X 5-1/2	232.98
CTC-2456825	P-UB-10	3-1/2 X 5-1/2	353.38
CTC-2456826	P-U-10	3-1/2 X 8-1/4	385.53
CTC-2456827	P-UB-10	3-1/2 X 8-1/4	433.67
CTC-2456828	P-UB-10	3-1/2 X 6	375.28
CTC-2456829	P-UB-10	3-1/2 X 6	226.09
CTC-2456830	P-UB-10	3-1/2 X 8-1/4	306.37
CTC-2456831	P-UB-10	3-1/2 X 7-1/2	294.58
CTC-2456832	P-UB-10	3-1/2 X 8-1/2	463.06
CTC-2456833	P-UB-10	3-1/2 X 8-1/4	428.00
CTC-2456834	P-UB-10	3-1/2 X 7-1/2	207.87
CTC-2456835	P-UB-10	3-1/2 X 8-1/4	252.37
CTC-2456836	P-UB-10	3-1/2 X 7-1/2	342.52
CTC-2456837	P-UB-10	3-1/2 X 8-1/4	230.15
CTC-2456839	P-UB-10	3-1/2 X 7-1/4	238.83
CTC-2456840	P-UB-10	3-1/2 X 4-1/2	373.99
CTC-2457484K	P-UB-10	3-1/4 X 170 mm	300.11
CTC-2457487K	P-UB-10	3-1/2 X 7-1/2	354.40
CTC-2457491K	P-UB-10	3-1/4 X 6-1/4	288.11
CTC-2459835	P-UB-10	2-3/8, 3-3/4, 6	503.98
CTC-2459838	P-UB-10	3-3/4 X 6-1/2	430.39
CTC-2459839	P-UB-10	3-3/4 X 6-1/2	304.77
CTC-2459840	P-UB-10	3-3/4 X 7-3/4	458.21
CTC-2459842	P-UB-10	100 X 140 mm	219.45
CTC-2460635	P-UB-10	3-1/2 X 10	621.85
CTC-2460636	P-UB-10	3-1/2 X 4-1/2	337.04

CATERPILLAR®

REPLACEMENT KITS FOR CATERPILLAR® EQUIPMENT

NOTE: CATERPILLAR kit numbers are used as a reference only. We do not imply that these kits are original REPLACEMENT KITS.

Kit Number	Code (Pg. xiv)	Rod X Bore Size	List Price	Kit Number	Code (Pg. xiv)	Rod X Bore Size	List Price
CTC-2460637	P-UB-10	3-1/2 X 10-1/2	\$577.62	CTC-2465937	P-UB-10	85 X 130 mm	\$175.85
CTC-2460638	P-UB-10	3-1/2 X 8-1/4	167.64	CTC-2465938	P-UB-10	85 X 120 mm	252.53
CTC-2460639	P-UB-10	3-1/2 X 7-1/4	374.92	CTC-2465940	P-UB-10	90 X 130 mm	243.32
CTC-2460641	P-UB-10	4 X 6-1/2	670.48	CTC-2469101K	P-UB-10	3 X 5	146.45
CTC-2460643	P-UB-10	4 X 6-1/2	605.42	CTC-2469885K	P-UB-10	2-1/4 X 4-1/2	83.98
CTC-2460644	P-UB-10	4 X 10	525.44	CTC-2470257	P-UB-10	90 X 130 mm	413.50
CTC-2460645	P-UB-10	4 X 10	603.19	CTC-2478790	P-UB-10	85 X 120 mm	150.28
CTC-2460648	P-UB-10	4 X 9-1/4	432.15	CTC-2478792	P-UB-10	100 X 140	254.17
CTC-2460649	P-UB-10	4 X 10-1/2	652.34	CTC-2478868	P-UB-10	85 X 120 mm	219.46
CTC-2460652	P-UB-10	4 X 9-1/4	322.11	CTC-2478878	P-UB-10	100 X 140 mm	270.03
CTC-2460653	P-UB-10	4 X 7	427.44	CTC-2478888	P-UB-10	85 X 120 mm	187.94
CTC-2460655	P-UB-10	4 X 7	470.27	CTC-2478974	P-UB-10	100 X 140 mm	270.03
CTC-2460657	P-UB-10	4 X 7	460.90	CTC-2478995	P-UB-10	80 X 110 mm	200.58
CTC-2460658	P-UB-10	4 X 6	466.04	CTC-2478996	P-UB-10	85 X 120 mm	223.35
CTC-2460659	P-UB-10	4 X 8-1/2	359.07	CTC-2478998	P-UB-10	85 X 120 mm	223.35
CTC-2463425	P-UB-4	4 X 4-1/2	288.94	CTC-2479000	P-UB-10	85 X 120 mm	203.28
CTC-2463426	P-UB-10	4 X 4-1/2	320.89	CTC-2479001	P-UB-10	85 X 120 mm	203.28
CTC-2463427	P-UB-10	4 X 8-1/2	236.88	CTC-2479004	P-UB-10	90 X 125 mm	185.16
CTC-2463430	P-UB-10	4-1/4 X 6-1/2	517.89	CTC-2479005	P-UB-10	85 X 125 mm	206.41
CTC-2463431	P-UB-10	4-1/4 X 7-3/4	523.40	CTC-2481162	P-UB-10	100 X 140 mm	247.65
CTC-2463432	P-UB-1	4-1/4	366.44	CTC-2481163	P-UB-10	100 X 140 mm	529.78
CTC-2463434	P-UB-10	5 X 7-3/4	392.78	CTC-2481165	P-UB-10	100 X 140 mm	221.85
CTC-2463437	P-UB-10	5-1/2 X 10-1/2	892.94	CTC-2481166	P-UB-10	100 X 140 mm	281.59
CTC-2463439	P-UB-10	5-3/4 X 7	329.12	CTC-2481167	P-UB-10	100 X 140 mm	196.87
CTC-2463440	P-UB-10	5-3/4 X 8-1/4	852.42	CTC-2481168	P-UB-10	105 X 150 mm	265.36
CTC-2463442	P-UB-10	6 X 8-1/4	951.18	CTC-2481169	P-UB-10	105 X 150 mm	542.11
CTC-2463443	P-UB-10	6 X 7-1/2	619.23	CTC-2481172	P-UB-10	110 X 160 mm	454.73
CTC-2463445	P-UB-10	6 X 7-1/2	818.16	CTC-2481174	P-UB-10	110 X 170 mm	262.61
CTC-2463446	P-UB-10	7 X 11	728.37	CTC-2481175	P-UB-10	4-3/4 X 6-1/2	620.66
CTC-2463448	P-UB-10	7 X 10	946.40	CTC-2481176	P-UB-10	4-3/4 X 6	524.89
CTC-2463450	P-UB-10	7 X 11	1312.45	CTC-2481178	P-UB-10	4-3/4 X 7-1/4	601.24
CTC-2465907	P-UB-10	7 X 11-1/2	945.26	CTC-2481181	P-UB-10	4-3/4 X 7-1/4	627.90
CTC-2465909	P-UB-10	1-1/2 X 2-3/4	99.65	CTC-2481182	P-UB-10	4-3/4 X 7	586.22
CTC-2465910	P-UB-10	1-1/2 X 4	60.99	CTC-2481183	P-UB-10	4-3/4 X 6-1/2	560.75
CTC-2465911	P-UB-10	1-1/2 X 2-1/2	72.92	CTC-2481185	P-UB-10	4-3/4 X 7	642.53
CTC-2465912	P-UB-10	1-1/2 X 2-3/4	74.06	CTC-2481186	P-UB-10	140 X 200 mm	705.21
CTC-2465913	P-UB-10	1-1/2 X 3	83.61	CTC-2481187	P-UB-10	140 X 200 mm	654.37
CTC-2465914	P-UB-10	1-1/2 X 3-1/2	106.42	CTC-2481188	P-UB-10	6-1/2 X 10-1/2	753.55
CTC-2465915	P-UB-10	1-1/2 X 3-1/2	109.38	CTC-2481190	P-UB-10	6-1/2 X 8-1/2	708.21
CTC-2465916	P-UB-10	1-1/2 X 2-1/4	73.96	CTC-2481192	P-UB-10	6-1/2 X 8-1/2	783.55
CTC-2465917	P-UB-10	1-1/2 X 3-1/2	95.84	CTC-2481193	P-V-10	7-1/4 X 10-1/4	853.57
CTC-2465919	P-UB-10	1-1/2 X 3-1/4	177.15	CTC-2481194	P-UB-10	7-1/4 X 10	719.35
CTC-2465922	P-UB-10	1-1/2 X 3	62.40	CTC-2481197	P-UB-10	5-1/4 X 7-3/4	662.33
CTC-2465923	P-UB-10	1-1/2 X 3	156.41	CTC-2481198	P-UB-10	5-1/2 X 10-1/2	804.11
CTC-2465925	P-UB-10	1-7/8 X 3	159.15	CTC-2495105	P-UB-10	3 X 4-1/2	526.16
CTC-2465926	P-UB-10	1-7/8 X 3-1/4	60.62	CTC-2502475	P-UB-10	105 X 150 mm	186.64
CTC-2465927	P-UB-10	1-7/8 X 3	150.30	CTC-2502485	P-UB-10	100 X 140 mm	226.01
CTC-2465928	P-UB-10	2-1/8 X 4	233.10	CTC-2502486	P-UB-10	90 X 130 mm	270.33
CTC-2465929	P-UB-10	2-1/8 X 4	59.30	CTC-2502487	P-UB-10	85 X 120 mm	193.77
CTC-2465931	P-UB-10	2-1/8 X 4	205.10	CTC-2519341	P-UB-10	100 X 170 mm	362.88
CTC-2465933	P-UB-10	2-1/8 X 4	142.15	CTC-2519845	P-U-10	40 X 70 mm	96.61

CATERPILLAR®

REPLACEMENT KITS FOR CATERPILLAR® EQUIPMENT

NOTE: CATERPILLAR kit numbers are used as a reference only. We do not imply that these kits are original REPLACEMENT KITS.

Kit Number	Code (Pg. xiv)	Rod X Bore Size	List Price
CTC-2521191	P-UB-10	95 X 160 mm	\$267.88
CTC-2522423	P-UB-10	130 X 180 mm	592.36
CTC-2522425	P-UB-10	130 X 190 mm	633.70
CTC-2522426	P-UB-10	150 X 220 mm	480.54
CTC-2525105	P-UB-10	3-1/4 X 5	286.07
CTC-2525507	I-U-14	50 X 100 mm	218.41
CTC-2526101	P-UB-10	90 X 160 mm	475.50
CTC-2533933K	P-U-10	4 X 5-1/4	191.14
CTC-2533964K	P-U-10	4 X 5-1/4	191.14
CTC-2535204	P-UB-10	2-3/8 X 4-1/4	71.40
CTC-2549037K	P-UB-10	70 X 130 mm	510.70
CTC-2567093	P-UB-10	100 X 170 mm	550.08
CTC-2578422	P-UB-10	2-3/8 X 3-3/4	72.53
CTC-2580313	P-UB-10	85 X 130 mm	199.72
CTC-2580500	P-UB-10	85 X 120 mm	199.58
CTC-2580501	P-UB-10	85 X 120 mm	210.50
CTC-2580503	P-UB-10	85 X 160 mm	451.33
CTC-2580504	P-UB-10	85 X 160 mm	310.75
CTC-2583621	P-U-10	35 X 75 mm	62.57
CTC-2590625	P-UB-10	90 X 130 mm	219.21
CTC-2590626	P-UB-10	90 X 130 mm	192.43
CTC-2590627	P-UB-10	90 X 130 mm	192.43
CTC-2590628	P-UB-10	90 X 130 mm	219.21
CTC-2590630	P-UB-10	95 X 130 mm	230.11
CTC-2590631	P-UB-10	100 X 140 mm	211.41
CTC-2590632	P-UB-10	100 X 140 mm	207.45
CTC-2590633	P-UB-10	100 X 140 mm	211.41
CTC-2590634	P-UB-10	100 X 140 mm	207.45
CTC-2590635	P-UB-10	100 X 140 mm	211.41
CTC-2590636	P-UB-10	105 X 150 mm	471.85
CTC-2590637	P-UB-10	105 X 150 mm	471.85
CTC-2590648	P-UB-10	100 X 140 mm	200.54
CTC-2590650	P-UB-10	105 X 150 mm	460.60
CTC-2590656	P-UB-10	95 X 135 mm	182.21
CTC-2590665	P-UB-10	95 X 135 mm	234.56
CTC-2590678	P-UB-10	90 X 130 mm	178.59
CTC-2590695	P-UB-10	85 X 120 mm	223.35
CTC-2590699	P-UB-10	100 X 140 mm	211.41
CTC-2590706	P-UB-10	85 X 120 mm	203.28
CTC-2590712	P-UB-10	90 X 130 mm	221.49
CTC-2590719	P-UB-10	90 X 130 mm	194.75
CTC-2590725	P-UB-10	100 X 140 mm	207.45
CTC-2590729	P-UB-10	105 X 150 mm	471.85
CTC-2590743	P-UB-10	105 X 150 mm	171.76
CTC-2590751	P-UB-10	110 X 160 mm	315.76
CTC-2590768	P-UB-10	115 X 170 mm	443.37
CTC-2590774	P-UB-10	95 X 135 mm	227.74
CTC-2590775	P-UB-10	100 X 140 mm	270.03
CTC-2590776	P-UB-10	90 X 130 mm	417.26
CTC-2590779	P-UB-10	105 X 150 mm	439.88
CTC-2598723K	P-U-10	55 X 115 mm	155.59

Kit Number	Code (Pg. xiv)	Rod X Bore Size	List Price
CTC-2600273	P-UB-10	2 X 85 mm	\$131.34
CTC-2601518	P-UB-10	2-3/4 X 5-1/2	168.74
CTC-2605316	P-UB-10	80 X 120 mm	158.32
CTC-2605317	P-UB-10	80 X 110 mm	293.05
CTC-2605318	P-UB-10	75 X 110 mm	377.52
CTC-2605319	P-UB-10	75 X 140 mm	434.99
CTC-2605322	P-UB-10	75 X 110 mm	415.90
CTC-2610582	P-UB-10	3-1/2 X 9-1/4	265.64
CTC-2611073	P-UB-10	3-1/4 X 5-1/2	370.47
CTC-2616885	P-UB-10	2-3/8 X 4-1/2	112.59
CTC-2617175	P-UB-10	2 X 75 mm	109.80
CTC-2618001	P-UB-10	2-3/4 X 6	191.43
CTC-2618566	P-UB-10	2 X 4	98.75
CTC-2618625	P-UB-10	2 X 4	64.19
CTC-2620941	I-U-10	30 X 50 mm	34.55
CTC-2620981	P-UB-10	2 X 3	127.90
CTC-2645751	P-UB-10	110 X 170 mm	460.69
CTC-2666140	I-U-10	35 X 70 mm	56.16
CTC-2667806	P-UB-10	85 X 120 mm	421.20
CTC-2667812	P-UB-10	95 X 130 mm	500.59
CTC-2667861	P-UB-10	80 X 110 mm	188.28
CTC-2667874	P-UB-10	85 X 120 mm	169.30
CTC-2667891	P-UB-10	85 X 120 mm	219.46
CTC-2667892	P-UB-10	85 X 120 mm	187.94
CTC-2668011	P-UB-10	85 X 120 mm	219.46
CTC-2668012	P-UB-10	100 X 140 mm	270.03
CTC-2668013	P-UB-10	95 X 135 mm	234.56
CTC-2668014	P-UB-10	90 X 130 mm	561.53
CTC-2668015	P-UB-10	100 X 140 mm	191.59
CTC-2668016	P-UB-10	105 X 150 mm	460.60
CTC-2668045	P-UB-10	95 X 135 mm	184.02
CTC-2668057	P-UB-10	85 X 120 mm	187.94
CTC-2692729K	P-UB-10	65 X 120 mm	179.86
CTC-2692730K	P-UB-10	60 X 110 mm	145.33
CTC-2696483K	P-UB-10	85 X 140 mm	175.38
CTC-2697190	P-U-10	45 X 75 mm	67.99
CTC-2701537	O-RING KIT		124.21
CTC-2701539	O-RING KIT		57.35
CTC-2702668	P-U-10	40 X 70 mm	59.96
CTC-2707285K	P-UB-10	70 X 140 mm	224.49
CTC-2707286K	P-UB-10	80 X 140 mm	255.25
CTC-2707288K	P-UB-10	45 X 75 mm	181.28
CTC-2711529	I-U-10	40 X 3-1/2	34.20
CTC-2712173	P-U-10	45 X 75 mm	97.83
CTC-2713572K	P-UB-10	6 X 10-1/2	1,068.41
CTC-2714484	P-U-10	40 X 65 mm	61.07
CTC-2723225	P-U-10	40 X 70 mm	197.42
CTC-2725225	P-U-10	45 X 75 mm	209.26
CTC-2737025K	P-U-10	55 X 100 mm	150.74
CTC-2742460	P-UB-10	110 X 160 mm	362.78
CTC-2742461	P-UB-10	130 X 190 mm	597.68

CATERPILLAR®

REPLACEMENT KITS FOR CATERPILLAR® EQUIPMENT

NOTE: CATERPILLAR kit numbers are used as a reference only. We do not imply that these kits are original REPLACEMENT KITS.

Kit Number	Code (Pg. xiv)	Rod X Bore Size	List Price	Kit Number	Code (Pg. xiv)	Rod X Bore Size	List Price
CTC-2742462	P-UB-10	110 X 170 mm	\$369.37	CTC-2940510K	P-UB-10	95 X 150 mm	\$281.05
CTC-2742511	P-UB-10	85 X 120 mm	161.43	CTC-2949581	P-UB-10	2-1/4 X 5	107.26
CTC-2742515	P-UB-10	100 X 140 mm	232.31	CTC-2949583	P-UB-10	2-1/2 X 3-1/2	96.23
CTC-2742526	P-UB-10	90 X 130 mm	171.26	CTC-2950145	I-UB-10	5-1/2 X 7-1/2	376.55
CTC-2742649	P-UB-10	95 X 130 mm	629.68	CTC-2950147	P-U-3	7 X 8-1/2	378.44
CTC-2748318	P-UB-10	70 X 130 mm	413.57	CTC-2950148	P-UB-3	7 X 8	899.12
CTC-2763879K	P-U-10	45 X 75 mm	100.03	CTC-2950148AV	P-SP-3	7 X 8	819.06
CTC-2764172	I-U-10	50 X 70 mm	64.44	CTC-2959885	P-UB-1	9 X 10-1/2	361.84
CTC-2765210	P-U-10	45 X 85 mm	99.51	CTC-2959886	P-U-3	7 X 8-1/2	377.03
CTC-2765284	P-U-10	45 X 80 mm	84.87	CTC-2959887	P-UB-10	3 X 5-1/4	160.67
CTC-2765302	P-U-10	50 X 80 mm	155.78	CTC-2959888	P-UB-10	3-1/2 X 6-1/4	282.99
CTC-2765739	P-U-10	50 X 90 mm	162.25	CTC-2959890	P-UB-10	3 X 6	308.81
CTC-2765938	P-U-10	45 X 80 mm	142.10	CTC-2959891	P-UB-10	2-1/4 X 4-1/2	87.02
CTC-2773395	P-UB-14	55 X 95 mm	132.95	CTC-2959892	P-UB-10	3-1/2 X 5-1/2	206.47
CTC-2774140	P-UB-14	50 X 85 mm	112.12	CTC-2959893	P-UB-10	2-3/8 X 4-3/4	124.37
CTC-2774167	P-UB-14	45 X 75 mm	191.76	CTC-2959894	P-UB-10	110 X 170 mm	565.10
CTC-2774178	P-UB-14	50 X 85 mm	252.47	CTC-2959895	P-UB-10	130 X 180 mm	410.16
CTC-2781970	I-U-10	30 X 60 mm	66.84	CTC-2974896K	P-UB-10	50 X 100 mm	115.44
CTC-2782253	P-U-10	1-1/2 X 2-1/2	107.23	CTC-2976845	P-UB-10	70 X 130 mm	314.21
CTC-2782257	P-U-10	1-1/2 X 2-1/2	64.23	CTC-2976847	P-U-1	7 X 8	1312.35
CTC-2782263	P-U-1	1-3/4 X 3	84.02	CTC-2976848	P-U-3	7 X 8-1/2	390.42
CTC-2788641	P-U-10	45 X 80 mm	100.77	CTC-2976849	P-U-1	9 X 10-1/2	537.95
CTC-2790639	P-U-10	50 X 85 mm	118.56	CTC-2976850	P-UB-10	50 X 100 mm	140.49
CTC-2797940	P-U-10	45 X 80 mm	107.54	CTC-2976851	P-UB-10	65 X 115 mm	263.60
CTC-2799336K	P-U-10	75 X 125 mm	198.90	CTC-2976852	P-UB-1	9 X 10-3/4	2221.90
CTC-2807013	I-U-10	42 X 85 mm	172.07	CTC-2987703K	P-UB-14	60 X 95 mm	139.02
CTC-2812321	P-U-10	50 X 85 mm	104.10	CTC-2987704K	P-UB-14	55 X 85 mm	137.81
CTC-2812322	P-U-10	45 X 75 mm	95.84	CTC-2990477	P-UB-14	3 X 4-3/4	302.85
CTC-2812323	P-U-10	50 X 80 mm	103.73	CTC-2990480	P-UB-14	2 X 4	209.07
CTC-2835988	P-UB-10	90 X 125 mm	712.84	CTC-2990481	P-UB-14	3-1/2 X 5-1/2	364.81
CTC-2836179	P-UB-10	70 X 100 mm	266.41	CTC-2990515	P-UB-14	3-3/4 X 7	293.65
CTC-2839122	P-U-10	35 X 65 mm	58.75	CTC-2990516	P-UB-14	3 X 4	178.31
CTC-2845360	P-UB-10	2-1/4 X 3-3/4	125.41	CTC-2990517	P-UB-14	2 X 4	203.75
CTC-2848016K	P-U-1	12-1/2	1627.74	CTC-2990529	P-UB-14	2-1/2 X 5-1/2	220.06
CTC-2854031K	P-UB-10	3 X 4-1/2	167.69	CTC-2990530	P-UB-14	2-1/2 X 5-1/2	245.17
CTC-2854032K	P-UB-10	3 X 5	196.32	CTC-2991323K1	P-UB-10	2-1/2 X 5	70.04
CTC-2854034K	P-UB-10	3-1/2 X 5-1/2	219.06	CTC-2R0037	O-RINGS		21.32
CTC-2857396	P-UB-10	5 X 9-1/4	452.35	CTC-2S3477	P-V-10	3 X 9-1/4	242.94
CTC-2857486	P-UB-10	2-1/8 X 4	111.70	CTC-2U0937	I-U-3	3-1/2 X 4-1/2	234.75
CTC-2860113	P-UB-10	70 X 100 mm	155.48	CTC-2Y4534	O-RINGS		46.10
CTC-2860114	P-UB-14	65 X 90 mm	274.34	CTC-2Y5154	O-RINGS		245.16
CTC-2860814K	P-UB-10	2 X 4	94.75	CTC-2Y6216	O-RINGS		12.19
CTC-2861075	P-UB-10	2-3/4 X 6	150.38	CTC-3044561	I-U-10	50 X 100 mm	71.78
CTC-2863591	I-U-10	25 X 40 mm	28.31	CTC-3044900K	P-UB-14	75 X 110 mm	175.57
CTC-2871973K	P-UB-10	2-1/4 X 4	107.64	CTC-3050795	O-RING KIT		11.25
CTC-2897716	P-UB-10	80 X 120 mm	512.31	CTC-3056015	P-U-10	25 X 50 mm	56.46
CTC-2897733	P-UB-10	75 X 110 mm	530.11	CTC-3076273	P-UB-10	2 X 3	51.07
CTC-2897878K	P-UB-10	90 X 130 mm	219.93	CTC-3082465K	P-UB-10	5 X 11	756.03
CTC-2929044K	P-UB-10	2 X 4	94.68	CTC-3082467K	P-UB-10	5 X 10	568.04
CTC-2937596	P-UB-10	2 X 3	54.92	CTC-3087824	P-UB-10	105 X 150 mm	295.61
CTC-2940509K	P-UB-10	3 X 5	149.82	CTC-3087830	P-UB-10	110 X 160 mm	541.36

CATERPILLAR®

REPLACEMENT KITS FOR CATERPILLAR® EQUIPMENT

NOTE: CATERPILLAR kit numbers are used as a reference only. We do not imply that these kits are original REPLACEMENT KITS.

Kit Number	Code (Pg. xiv)	Rod X Bore Size	List Price
CTC-3087841	P-UB-10	65 X 130 mm	\$187.63
CTC-3087847	P-UB-10	50 X 120 mm	217.37
CTC-3087849	P-UB-1	9 X 10-3/4	2,056.88
CTC-3105478	P-UB-10	1-3/4 X 3-1/2	216.57
CTC-3110662	P-UB-10	2-1/4 X 4-1/2	94.49
CTC-3126388	I-SP-10	5,7-1/2X 6-1/2, 8-1/4	658.82
CTC-3133829	P-UB-10	3-1/4 X 170 mm	300.11
CTC-3145850K	P-UB-14	65 X 110 mm	149.37
CTC-3151126	P-UB-10	2-1/2 X 5	65.47
CTC-3156338	I-U-10	1 X 2-1/2	24.43
CTC-3170942	I-UB-10	5-1/2 X 9-1/2	531.03
CTC-3171090K	P-UB-10	70 X 140 mm	479.67
CTC-3176058	P-UB-10	55 X 95 mm	152.33
CTC-3189220	P-UB-10	3-1/2 X 6-1/4	432.74
CTC-3189225	P-UB-10	4 X 7	332.42
CTC-3192248	P-UB-10	3-1/2 X 6-1/4	381.81
CTC-3193556	P-UB-10	3 X 4-1/2	296.69
CTC-3193557	P-UB-10	3 X 4-1/2	131.15
CTC-3193558	P-UB-10	3 X 4-3/4	165.28
CTC-3193565	P-UB-10	3 X 4-3/4	136.11
CTC-3195051K	P-UB-10	55 X 100 mm	151.39
CTC-3198295	P-UB-10	115 X 170 mm	317.36
CTC-3206346	P-UB-10	65 X 100 mm	209.81
CTC-3233312	P-UB-10	1-3/4 X 3	53.54
CTC-3234199	P-UB-10	2-3/4 X 5-1/2	252.58
CTC-3240355	I-U-10	40 X 70 mm	83.52
CTC-3240356	I-U-10	50 X 80 mm	112.03
CTC-3240397	I-U-10	70 X 130 mm	156.49
CTC-3240398	I-U-10	65 X 120 mm	149.36
CTC-3240399	I-U-10	60 X 110 mm	135.91
CTC-3240411	I-U-10	45 X 70 mm	85.74
CTC-3247165	P-UB-10	65 X 115 mm	231.08
CTC-3248346K	P-UB-14	2 X 4	151.68
CTC-3249485	P-UB-10	105 X 150 mm	257.86
CTC-3249539K	P-UB-14	2-1/2 X 5-1/2	225.01
CTC-3249541K	P-UB-14	2-1/2 X 5-1/2	205.87
CTC-3260496	P-UB-10	75 X 100 mm	273.29
CTC-3260501	P-UB-10	2 X 4-1/2	148.92
CTC-3260502	P-UB-10	2 X 3-1/2	190.97
CTC-3260503	P-UB-10	1-3/4 X 3-1/2	219.76
CTC-3260504	P-UB-10	1-3/4 X 3	94.41
CTC-3265051	I-U-10	75 X 100 mm	91.35
CTC-3265235	I-U-14	50 X 100 mm	218.41
CTC-3265237	I-U-10	1-3/4 X 63 mm	91.40
CTC-3265946	I-U-10	50 X 100 mm	95.52
CTC-3276314	I-U-10	1-1/4 X 2-1/2	24.43
CTC-3281867	I-U-14	50 X 100 mm	218.41
CTC-3284267K	P-UB-10	2-1/2 X 5-1/2	109.70
CTC-3287730K	P-UB-14	75 X 110 mm	157.49
CTC-3319328	P-UB-10	130 X 190 mm	453.04
CTC-3322569	I-UB-10	2-1/2 X 3-1/2	269.01

Kit Number	Code (Pg. xiv)	Rod X Bore Size	List Price
CTC-3338675	P-UB-10	110 X 170 mm	\$305.37
CTC-3338750	P-UB-10	110 X 160 mm	236.68
CTC-3349861K	P-UB-10	90 X 180 mm	291.42
CTC-3350007	P-UB-10	80 X 120 mm	199.46
CTC-3353866	P-UB-14	2-1/2 X 5-3/4	310.36
CTC-3365288	I-U-10	5-1/2,8-1/2 X 7-1/2,9-1/2	543.08
CTC-3367341	P-UB-1	12-1/2	3,652.48
CTC-3367342	P-U-1	13-1/2	3,296.50
CTC-3367351	P-UB-10	2-1/2 X 5-1/2	275.36
CTC-3367352	P-UB-10	2-1/2 X 5-1/2	218.50
CTC-3367353	P-UB-10	2-1/2 X 5-1/2	124.43
CTC-3367358	P-UB-10	3 X 5-1/2	286.90
CTC-3367359	P-UB-10	3 X 5-1/2	300.95
CTC-3367368	I-U-1	11 X 13-1/8	1717.31
CTC-3367372	I-U-10	5,7-1/2 X 6-1/2,8-1/4	595.79
CTC-3385840	P-UB-1	12-1/2	3,282.23
CTC-3387038	I-UB-10	2-1/2 X 3-1/2	45.99
CTC-3387039	I-UB-10	2-3/4 X 3-3/8	150.13
CTC-3387156	P-UB-10	1-1/2 X 3	55.77
CTC-3388416K	P-UB-10	70 X 140 mm	479.67
CTC-3402686	P-UB-10	2-1/2 X 5-1/2	154.02
CTC-3406080	P-U-1	11 X 12-1/2	472.47
CTC-3408491	P-U-1	11 X 13-1/8	1,796.88
CTC-3408752K	P-UB-10	2-1/2 X 5	128.71
CTC-3408871K	P-UB-10	2-1/2 X 4-3/4	124.29
CTC-3417048	P-UB-14	2 X 4	188.66
CTC-3417059	P-UB-14	3 X 4-3/4	257.60
CTC-3418110	P-UB-14	3-1/2 X 5-1/2	364.69
CTC-3418115	P-UB-14	2-1/2 X 5-3/4	410.08
CTC-3446336	P-UB-10	90 X 130 mm	200.58
CTC-3453897K	P-UB-10	100 X 140 mm	150.75
CTC-3460643	P-U-10,12	2 X 3-1/2	60.25
CTC-3460644	P-U-10,12	3-1/4 X 5-1/2	134.24
CTC-3461093K	P-UB-10	70 X 140 mm	479.67
CTC-3461094K	P-UB-10	70 X 140 mm	479.67
CTC-3465584	P-U-10,12	1-1/2 X 2-1/2	44.98
CTC-3465609	P-U-10,12	1-3/4 X 3	53.57
CTC-3469028	P-UB-1	2	77.74
CTC-3469030	N-N-14	3-1/2	64.92
CTC-3473272K	P-UB-10	3-1/2 X 7-1/4	213.61
CTC-3476233	I-U-11	1-1/4 X 2-1/2	34.23
CTC-3494119	P-UB-10	75 X 110 mm	376.37
CTC-3494120	P-UB-10	80 X 120 mm	349.97
CTC-3494121	P-UB-10	70 X 100 mm	255.14
CTC-3494122	P-UB-10	80 X 120 mm	238.30
CTC-3500962	P-UB-10	85 X 120 mm	490.58
CTC-3500963	P-UB-10	90 X 125 mm	199.17
CTC-3500967	P-UB-10	85 X 120 mm	312.12
CTC-3500970	P-UB-10	100 X 140 mm	257.32
CTC-3500971	P-UB-10	100 X 140 mm	247.00
CTC-3500973	P-UB-10	100 X 140 mm	264.52

CATERPILLAR®

REPLACEMENT KITS FOR CATERPILLAR® EQUIPMENT

NOTE: CATERPILLAR kit numbers are used as a reference only. We do not imply that these kits are original REPLACEMENT KITS.

Kit Number	Code (Pg. xiv)	Rod X Bore Size	List Price	Kit Number	Code (Pg. xiv)	Rod X Bore Size	List Price
CTC-3500974	P-UB-10	105 X 150 mm	\$258.28	CTC-3764336	P-UB-10	110 X 160 mm	\$247.39
CTC-3500975	P-UB-10	105 X 150 mm	258.28	CTC-3769011	P-UB-10	2 X 3-1/2	89.39
CTC-3500976	P-UB-10	95 X 135 mm	209.04	CTC-3769015	P-UB-10	3 X 5-1/4	195.82
CTC-3507157	I-SP-3,10	7-3/4, 11-1/2	939.12	CTC-3769016	P-UB-10	1-3/4 X 3-1/2	141.67
CTC-3519360K	P-UB-10	100 X 140 mm	150.75	CTC-3769017	P-UB-10	1-3/4 X 3	53.54
CTC-3541312	I-U-10	7-1/4, 11x9-1/2, 12-1/4	1,220.90	CTC-3770612	P-UB-1	2-1/2	162.47
CTC-3573798	I-U-10	7-1/4, 10-1/2x9-1/4, 11-1/2	1,036.19	CTC-3770613	N-N-14	4	74.87
CTC-3597243	P-UB-10	1-3/4 X 3	103.33	CTC-3792735	P-U-10	35 mm X 65 mm	51.76
CTC-3604580	P-UB-10	80 X 110 mm	181.83	CTC-3792737	P-U-10	30 mm X 60 mm	61.56
CTC-3604581	P-UB-10	85 X 120 mm	233.18	CTC-3799497	P-UB-10	130 X 190 mm	342.94
CTC-3604582	P-UB-10	80 X 110 mm	165.13	CTC-3802685	P-U-1	12-1/2 X 14-1/4	479.87
CTC-3611078	I-U-11	3/4 X 1-1/4	197.82	CTC-3806119	I-U-10	50 X 70 mm	96.67
CTC-3611131	I-U-15	3/4 X 1-1/4	56.90	CTC-3808347	P-UB-10	85 X 140 mm	255.98
CTC-3615042K	P-UB-10	100 X 150 mm	154.66	CTC-3809470	P-UB-10	2-1/4 X 4-1/4	77.13
CTC-3626460	P-UB-1	7 X 8-1/2	328.56	CTC-3809482	P-UB-10	2 X 4	99.65
CTC-3629412	P-UB-10	95 X 160 mm	303.59	CTC-3809484	P-UB-10	1-1/2 X 3	56.90
CTC-3631202	P-UB-14	3-3/4 X 7	273.92	CTC-3812732	P-UB-10	2-3/8 X 4-3/4	137.95
CTC-3634158	P-UB-10	4-1/2 X 220 mm	314.93	CTC-3812337	P-UB-10	3-1/4 X 9-1/4	214.52
CTC-3651270	P-UB-10	65 X 4-3/4	259.14	CTC-3812504	P-UB-10	4-1/2 X 9-1/4	511.02
CTC-3651283	I-UB-10	2-3/8 X 85 mm	95.29	CTC-3825775	P-UB-10	70 X 110 mm	239.52
CTC-3651342	I-UB-10	2-3/4 X 3-3/4	147.95	CTC-3825802	P-UB-10	60 X 95 mm	167.19
CTC-3651382	I-U-10	3/4 X 1-1/2	48.95	CTC-3825822	P-UB-10	60 X 95 mm	174.11
CTC-3652880	P-UB-10	3-3/4 X 7-3/4	255.00	CTC-3825827	P-UB-10	55 X 85 mm	152.39
CTC-3652932	P-UB-10	2-1/2 X 4	163.93	CTC-3825845	P-UB-14	80 X 120 mm	218.75
CTC-3653007	P-UB-10	2-1/2 X 5	160.56	CTC-3825860	P-UB-10	65 X 110 mm	183.46
CTC-3655556	P-UB-10	2 X 3	46.85	CTC-3842381	I-UB-14	50 mm X 90 mm	210.84
CTC-3675261	I-U-10	7/8 X 2	22.29	CTC-3842448	I-UB-10	40 mm X 70 mm	212.13
CTC-3693716	P-UB-10	150 X 220 mm	592.41	CTC-3842452	I-UB-10	45 mm X 70 mm	204.10
CTC-3701866	P-UB-10	150 X 220 mm	592.41	CTC-3842454	I-UB-10	40 mm X 70 mm	185.88
CTC-3701871	P-UB-10	145 X 210 mm	862.40	CTC-3852908	P-UB-14	80 X 110 mm	227.39
CTC-3701932	P-UB-10	145 X 210 mm	652.29	CTC-3852942	P-UB-14	85 X 120 mm	207.86
CTC-3701940	P-UB-10	140 X 200 mm	527.33	CTC-3852946	P-UB-14	80 X 110 mm	179.26
CTC-3704107	I-U-15	60 X 100 mm	482.83	CTC-3858057	P-UB-14	3 X 4	118.08
CTC-3704117	I-U-15	70 X 125 mm	558.47	CTC-3860714	I-UB-10	36 mm X 65 mm	130.19
CTC-3707995	P-UB-1	2	91.17	CTC-3866092	P-UB-10,12	2-1/2 X 5-1/2	217.41
CTC-3712697	P-U-10	35 X 50 mm	56.51	CTC-3904196	P-UB-14	75 X 110 mm	293.48
CTC-3712718	P-U-10	30 X 65 mm	62.84	CTC-3904227	P-UB-14	70 X 100 mm	306.68
CTC-3712727	P-U-10	45 X 60 mm	56.88	CTC-3912080	P-UB-14	3-1/2 X 5-1/2	245.41
CTC-3712737	P-U-10	45 X 65 mm	64.20	CTC-3914638	P-UB-10	70 X 110 mm	177.50
CTC-3712751	P-U-10	35 X 75 mm	62.21	CTC-3924561	I-UB-1	60 mm	148.28
CTC-3712756	P-U-10	40 X 60 mm	57.46	CTC-3925193	P-UB-10	65 X 115 mm	210.47
CTC-3712760	P-U-10	35 X 70 mm	58.57	CTC-3925201	P-UB-10	60 X 110 mm	145.33
CTC-3735748	P-U-10	30 mm X 55 mm	66.21	CTC-3933604	P-UB-10	2-1/2 X 5	120.81
CTC-3747255	P-UB-14	55 X 100 mm	195.87	CTC-3933606	P-UB-10	2 X 4-1/4	68.81
CTC-3750731	P-UB-1	55 mm	154.54	CTC-3933607	P-UB-10	3 X 6-1/2	159.43
CTC-3750740	P-UB-1	55 mm	108.07	CTC-3933608	P-UB-10	1-1/2 X 3-1/2	89.09
CTC-3751733	P-UB-10	115 X 170 mm	345.76	CTC-3937887	P-UB-14	75 X 110 mm	293.48
CTC-3764331	P-UB-10	105 X 150 mm	215.87	CTC-3937948	P-UB-10	80 X 120 mm	350.21
CTC-3764332	P-UB-10	105 X 150 mm	215.87	CTC-3937949	P-UB-14	80 X 120 mm	305.52
CTC-3764333	P-UB-10	115 X 170 mm	317.36	CTC-3944846	P-UB-14	50 X 85 mm	223.27
CTC-3764334	P-UB-10	105 X 150 mm	257.86	CTC-3944848	P-UB-14	50 X 85 mm	133.15

CATERPILLAR®

REPLACEMENT KITS FOR CATERPILLAR® EQUIPMENT

NOTE: CATERPILLAR kit numbers are used as a reference only. We do not imply that these kits are original REPLACEMENT KITS.

Kit Number	Code (Pg. xiv)	Rod X Bore Size	List Price
CTC-3944852	P-UB-14	45 X 75 mm	\$126.30
CTC-3949688	P-UB-10	75 X 130 mm	226.86
CTC-3951270	P-UB-10	35 mm X 65 mm	87.08
CTC-3951275	P-U-10	30 mm X 50 mm	95.87
CTC-3975694	I-UB-10	2-1/2 X 3-1/2	48.61
CTC-3975704	P-UB-10	2-3/8 X 4-3/4	142.50
CTC-3979294	P-UB-10	85 X 120 mm	200.51
CTC-3979295	P-UB-10	95 X 135 mm	336.69
CTC-3979296	P-UB-10	95 X 160 mm	303.59
CTC-3981893	P-UB-10	100 X 140 mm	262.81
CTC-3E3291	P-UB-10	1-3/4 X 2-3/4	48.98
CTC-3E3292	P-UB-10	4 X 6	300.19
CTC-3E3293	P-UB-10	3 X 5-1/4	243.78
CTC-3E3294	P-UB-10	2 X 5	76.97
CTC-3E3297	P-UB-10	1-7/8 X 3-1/4	135.19
CTC-3E3298	P-UB-10	2-1/8 X 4	58.65
CTC-3E3299	I-UB-10	2-1/2 X 3-1/2	183.90
CTC-3E3300	P-UB-10	2-1/2 X 4-1/4	147.40
CTC-3E3301	P-UB-10	4-3/4 X 7	281.17
CTC-3E3302	P-UB-10	2-1/2 X 5	90.98
CTC-3E3303	P-UB-10	4 X 6-1/2	360.47
CTC-3E3313	P-UB-10	3 X 5-1/4	96.07
CTC-3E3314	I-UB-10	2-3/4 X 3-3/4	235.09
CTC-3E8877	P-UB-10	2-3/8 X 4-1/2	214.74
CTC-3E8878	P-UB-10	2-3/4 X 5	249.78
CTC-3E8880	P-UB-10	5-3/4 X 8-1/4	830.75
CTC-3E8881	P-UB-10	4-3/4 X 7-1/4	396.35
CTC-3E8883	P-UB-10	3 X 4-3/4	213.14
CTC-3E8884	P-UB-10	2 X 4	138.61
CTC-3E8887	P-UB-10	5 X 7-3/4	471.20
CTC-3E8888	P-UB-10	3-3/4 X 6	432.55
CTC-3E8889	P-UB-10	3-1/2 X 6	273.13
CTC-3G0688K	I-SP-1	7 X 8-1/2	312.00
CTC-3G8700	O-rings		9.93
CTC-3G9892K	P-UB-10	2 X 4	59.01
CTC-4157472	P-UB-14	70 X 110 mm	157.59
CTC-4158072	P-UB-10	2-1/4 X 4-1/4	78.63
CTC-4158260	I-UB-10	2-3/8 X 85 mm	79.76
CTC-4160066	P-UB-10	3-1/2 X 5-1/2	219.06
CTC-4160092	P-UB-10	4-1/2 X 150 mm	226.17
CTC-4162092	P-UB-10	3 X 4-3/4	176.00
CTC-4173698	P-UB-10	50 X 110 mm	127.05
CTC-4175006	P-UB-14	2 X 4	198.83
CTC-4175758	P-U-14	2-1/2 X 5-3/4	231.82
CTC-4176026	I-U-10	2-1/2 X 5	95.88
CTC-4179889	I-U-4	1-1/8 X 2	126.63
CTC-4185330	I-UB-1	80 mm	263.66
CTC-4186276	P-UB-14	3 X 4-3/4	189.42
CTC-4195876	P-UB-10	130 mm X 180 mm	252.90
CTC-4206848	P-U-1	7 X 8	671.05
CTC-4208531	P-UB-10	2-1/2 X 3-1/2	116.46

Kit Number	Code (Pg. xiv)	Rod X Bore Size	List Price
CTC-4215355	P-UB-10	70 X 110 mm	\$239.52
CTC-4219022	I-U-10	5-1/2,8-1/2x7-1/2,9-1/2	291.69
CTC-4220025	I-U-10	7-1/4,10-1/2x9-1/4,11-1/2	1,030.29
CTC-4220706	P-UB-10	60 X 95 mm	174.11
CTC-4228805	P-UB-10	35 X 70 mm	82.44
CTC-4252108	P-UB-10	2-1/4 X 4	123.61
CTC-4286802	P-UB-10	70 X 110 mm	183.38
CTC-4288641	P-U-10	45 X 75 mm	72.97
CTC-4288651	P-U-10	45 X 75 mm	78.17
CTC-4288674	P-U-10	40 X 70 mm	61.45
CTC-4306989	N-N-14	3-1/2	172.47
CTC-4307589	P-U-10	55 X 100 mm	125.73
CTC-4308744	P-U-10	50 X 80 mm	116.80
CTC-4308918	P-U-10	55 X 90 mm	166.46
CTC-4351466	P-UB-1	1-1/2	95.36
CTC-4388593	P-UB-10	3 X 5-1/4	194.09
CTC-4389145	P-UB-10	2-1/2 X 3-1/2	211.07
CTC-4393847	P-U-10	75 X 125 mm	194.53
CTC-4394330	P-U-10	4 X 5-1/4	186.94
CTC-4395349	P-U-10	55 X 125 mm	200.12
CTC-4398573	P-U-10	45 X 75 mm	64.13
CTC-4401767	I-U-10	90 X 150 mm	178.82
CTC-4452682	P-UB-10	1-1/4 X 2-1/2	52.51
CTC-4481975	P-UB-10	35 mm X 80 mm	99.82
CTC-4483453	P-UB-10	50 mm X 75 mm	98.78
CTC-4483564	P-UB-10	55 mm X 90 mm	109.26
CTC-4488804	P-UB-10	1-1/2 X 3	56.90
CTC-4494753	I-U-10	5,7-1/2 X 6-1/2,8-1/4	595.79
CTC-4496284	P-UB-10	55 mm X 100 mm	119.11
CTC-4496299	P-UB-10	50 mm X 85 mm	101.63
CTC-4515832	P-UB-1	9	379.43
CTC-4523459	P-UB-1	40 mm	59.91
CTC-4523460	N-N-10	70 mm	44.26
CTC-4527462	P-UB-10	2-3/4 X 6-1/4	192.92
CTC-4536525	I-U-10	1 X 1-3/4	26.28
CTC-4555441	P-U-10	1-1/4 X 2	37.25
CTC-4560197	P-UB-10	85 X 120 mm	185.55
CTC-4560198	P-UB-10	90 X 125 mm	199.17
CTC-4560199	P-UB-10	95 X 135 mm	233.83
CTC-4560200	P-UB-10	100 X 140 mm	264.52
CTC-4560202	P-UB-10	100 X 140 mm	257.32
CTC-4560203	P-UB-10	105 X 150 mm	258.28
CTC-4560204	P-UB-10	100 X 140 mm	247.00
CTC-4560207	P-UB-10	85 X 120 mm	180.45
CTC-4560208	P-UB-10	90 X 130 mm	301.65
CTC-4560210	P-UB-10	90 X 130 mm	215.30
CTC-4560584	I-U-10	1 X 2-1/2	85.54
CTC-4567244	P-UB-10	70 X 110 mm	362.70
CTC-4572837	P-UB-10	50 X 90 mm	113.89
CTC-4576093	P-UB-10	3-1/4 X 170 mm	208.36
CTC-4661538	P-UB-10	100 X 140 mm	250.83

CATERPILLAR®

REPLACEMENT KITS FOR CATERPILLAR® EQUIPMENT

NOTE: CATERPILLAR kit numbers are used as a reference only. We do not imply that these kits are original REPLACEMENT KITS.

Kit Number	Code (Pg. xiv)	Rod X Bore Size	List Price
CTC-4671783	I-UB-10	40 mm X 65 mm	\$254.80
CTC-4690676	P-U-10	45 x 80 mm	216.68
CTC-4690682	P-U-10	45 x 80 mm	213.25
CTC-4690689	P-U-10	40 x 70 mm	160.92
CTC-4690697	P-U-10	50 mm X 85 mm	246.88
CTC-4690704	P-U-10	50 mm X 80 mm	220.56
CTC-4690711	P-U-10	45 mm X 75 mm	224.92
CTC-4690717	P-U-10	45 mm X 80 mm	201.49
CTC-4690723	P-U-10	35 mm X 65 mm	160.67
CTC-4690729	P-U-10	50 mm X 85 mm	231.29
CTC-4700323	P-UB-10,12	2-1/4 X 5	137.90
CTC-4710161	P-UB-10	2 X 3	120.68
CTC-4710172	P-UB-10	50 X 85 mm	131.72
CTC-4710276	P-UB-10	55 X 95	143.58
CTC-4710336	P-UB-10	95 X 130	186.27
CTC-4778370	P-UB-10	100 X 190	279.75
CTC-4787051	P-U-10	50 mm X 85 mm	229.80
CTC-4828678	P-U-10	50 mm X 85 mm	131.99
CTC-4900659	I-U-12	2,3 X 2-1/2,3-1/2	264.49
CTC-4C4782	NITRILE O-RING KIT		359.54
CTC-4C4784	D-RING KIT		212.78
CTC-4C4788	O-RING KIT		124.21
CTC-4C8253	SILICONE O-RING KIT		573.21
CTC-4I3861	P-UB-10	70 X 150 mm	320.55
CTC-4T9977K	P-UB-10	3-1/4 X 8-1/4	213.65
CTC-4Z6110K	P-UB-10	3-1/2 X 8-1/4	240.51
CTC-4Z6364K	P-UB-10	3 X 6	171.62
CTC-5016692	P-U-10	40 X 70 mm	77.21
CTC-5016695	P-U-10	65 X 120 mm	140.37
CTC-5016697	P-U-10	90 X 150 mm	183.87
CTC-5016702	P-U-10	50 X 80 mm	104.94
CTC-5016704	P-U-10	70 X 130 mm	147.14
CTC-5016706	P-U-10	60 X 110 mm	127.42
CTC-5037834	P-UB-10	60 mm X 90 mm	157.25
CTC-5078289	P-U-10	40 mm X 80 mm	186.70
CTC-5185133	P-UB-10	105 X 150	236.43
CTC-5185140	P-UB-10	130 mm X 190 mm	552.18
CTC-5186058	P-UB-10	50 X 80 mm	100.96
CTC-518892	P-UB-10	140 X 200 mm	525.53
CTC-5199260	P-U-10	30 mm X 55 mm	330.77
CTC-5456415	P-UB-10	85 mm X 120 mm	248.97
CTC-5542902	P-UB-14	95 mm X 160 mm	390.21
CTC-5551814	P-UB-10	105 X 150	236.43
CTC-5635454	P-U-10	25 mm X 50 mm	75.47
CTC-5708323	I-U-10	40 mm X 70 mm	191.65
CTC-5749252	I-U-10	30 mm X 60 mm	350.16
CTC-5764154	I-U-10	30 mm X 55 mm	115.57
CTC-5764815	I-U-10	30 mm X 50 mm	128.96
CTC-5792777	I-U-10	30 mm X 60 mm	287.48
CTC-5792831	I-U-10	35 mm X 65 mm	350.22
CTC-5799491	P-U-10	30 mm X 60 mm	92.41

Kit Number	Code (Pg. xiv)	Rod X Bore Size	List Price
CTC-5P8433	D-RING KIT		\$212.78
CTC-5R4759	P-UB-10	1-3/4 X 3	107.87
CTC-5R4760	P-UB-10	1-1/2 X 3-1/2	66.70
CTC-5R4761	P-UB-10	2 X 3-1/4	107.83
CTC-5R4762	P-UB-10	2 X 3-1/4	74.70
CTC-5R4764	P-UB-10	1-1/2 X 2-1/2	42.09
CTC-5R4765	P-UB-10	1-1/2 X 2-1/2	42.09
CTC-5R4766	O-RINGS		10.37
CTC-5U5412	I-U-5	3-1/2 X 5-1/2	93.86
CTC-5U5413	I-U-5	3-1/2 X 4-1/2	371.46
CTC-5U6157	I-U-1	2	13.52
CTC-6C6156	P-UB-10	100 X 170 mm	499.90
CTC-6I6858	P-UB-10	70 X 100 mm	376.11
CTC-6Q2203	I,P-U-15	1-1/2	78.77
CTC-6U4788	I-U-5	3-1/2 X 5-1/2	341.42
CTC-7S2720	I-V-10	3-1/4 X 9-1/4	344.53
CTC-7S2721	N-V-10	3-1/4 X 9-1/4	223.01
CTC-7S2727	P-V-10	2-1/4 X 5	140.73
CTC-7U2662	I-U-5	3-1/2 X 4-1/2	436.65
CTC-7U6672	I-U-4	3-1/2 X 4	199.43
CTC-7U7625	I-UB-10	1-3/4 X 3-1/2	190.08
CTC-7U8058	I-U-10	2-3/4 X 4-1/2	378.21
CTC-7U8423	I-UB-10	2 X 4	208.50
CTC-7U9275	P-UB-4	4 X 4-1/2	432.84
CTC-7X2486	P-UB-10	3-1/4 X 8-1/4	166.52
CTC-7X2487	P-UB-10	2 X 4	43.20
CTC-7X2654	PI-UB-10	2-1/2 X 4	163.25
CTC-7X2657	P-UB-10	2-1/2 X 6-1/2	182.57
CTC-7X2680	P-UB-10	2-3/4 X 6	187.93
CTC-7X2681	P-UB-10	2-3/4 X 7-1/4	155.82
CTC-7X2682	P-UB-10	2-3/4 X 5	203.55
CTC-7X2683	P-UB-14	2-3/4 X 4-1/2	247.12
CTC-7X2684	P-UB-10	2-3/4 X 5-1/2	210.04
CTC-7X2685	P-UB-14	2-3/4 X 4-1/2	225.26
CTC-7X2686	P-UB-14	2-3/4 X 6-1/2	165.59
CTC-7X2687	P-UB-10	2-3/4 X 7-1/4	282.70
CTC-7X2688	P-UB-14	2-3/4 X 6-1/4	202.95
CTC-7X2689	P-UB-10	2-3/4 X 6-1/2	220.86
CTC-7X2690	P-UB-10	2-3/4 X 5-1/2	136.54
CTC-7X2691	P-UB-14	2-3/4 X 7	201.05
CTC-7X2692	P-UB-10	2-1/2 X 6	225.32
CTC-7X2693	P-UB-10	3 X 6-1/2	247.55
CTC-7X2694	P-UB-10	3 X 6-1/2	217.89
CTC-7X2695	P-UB-10	3 X 8-1/4	441.94
CTC-7X2696	P-UB-10	3 X 6-1/2	119.81
CTC-7X2697	P-UB-10	3 X 6-1/4	216.97
CTC-7X2698	P-UB-10	3 X 6	255.56
CTC-7X2699	P-UB-14	3 X 7-1/4	282.79
CTC-7X2700	P-V-10	2 X 4-1/2	97.34
CTC-7X2701	P-UB-14	3 X 6-1/4	154.56
CTC-7X2702	P-UB-10	3 X 7-1/4	350.99

CATERPILLAR®

REPLACEMENT KITS FOR CATERPILLAR® EQUIPMENT

NOTE: CATERPILLAR kit numbers are used as a reference only. We do not imply that these kits are original REPLACEMENT KITS.

Kit Number	Code (Pg. xiv)	Rod X Bore Size	List Price
CTC-7X2703	P-UB-14	3-1/4 X 8-1/4	\$323.31
CTC-7X2704	P-UB-10	3-1/4 X 7	193.97
CTC-7X2705	P-UB-10	3-1/4 X 5-1/2	353.88
CTC-7X2706	P-UB-10	3-1/4 X 7-3/4	351.06
CTC-7X2707	P-UB-10	3-1/4 X 9-1/4	459.66
CTC-7X2707A	P-UB-10	3-1/4 X 9-1/4	381.71
CTC-7X2708	P-UB-10	3-1/4 X 9-1/4	279.54
CTC-7X2709	P-UB-14	3-1/4 X 5-1/2	221.56
CTC-7X2710	P-UB-10	3-1/4 X 7	278.70
CTC-7X2711	P-UB-10	3-1/4 X 6-1/2	287.59
CTC-7X2712	P-UB-10	3-1/4 X 5-1/2	127.07
CTC-7X2713	P-UB-14	3-1/4 X 6-1/2	183.31
CTC-7X2714	P-UB-14	3-1/4 X 5-1/2	221.56
CTC-7X2715	P-UB-10	3-1/4 X 8-1/4	344.14
CTC-7X2716	P-UB-10	3-1/4 X 9-1/4	218.92
CTC-7X2717	P-UB-14	3-1/4 X 8-1/4	280.11
CTC-7X2718	P-UB-10	3-1/4 X 7-1/4	265.45
CTC-7X2719	P-UB-10	3-1/2 X 8-1/2	257.62
CTC-7X2720	P-U-10	3-1/2 X 8-1/4	247.80
CTC-7X2721	P-UB-10	3-1/2 X 8-1/4	360.04
CTC-7X2722	P-UB-10	3-1/2 X 7-1/2	254.78
CTC-7X2723	P-UB-10	3-1/2 X 10-1/2	344.50
CTC-7X2724	P-UB-14	3-1/2 X 8-1/4	278.68
CTC-7X2725	P-UB-10	3-1/2 X 8-1/4	425.68
CTC-7X2725X	P-UB-10	3-1/2 X 8-1/4	157.27
CTC-7X2726	P-UB-14	3-1/2 X 5-1/2	219.20
CTC-7X2727	P-UB-14	3-1/2 X 8-1/4	381.39
CTC-7X2728	P-UB-10	3-1/2 X 8-1/4	239.96
CTC-7X2729	P-UB-10	2-1/4 X 5	222.67
CTC-7X2730	P-UB-14	3-1/2 X 7-1/2	219.48
CTC-7X2731	P-UB-10	3-3/4 X 6-1/2	355.31
CTC-7X2734	P-UB-10	4 X 8-1/2	313.42
CTC-7X2736	P-UB-10	1-1/2 X 2-3/4	141.51
CTC-7X2737	P-UB-10	1-1/2 X 3	148.96
CTC-7X2738	P-UB-10	1-1/2 X 4	119.97
CTC-7X2739	P-UB-10	1-1/2 X 2-1/2	77.55
CTC-7X2740	P-UB-10	2-1/4 X 3-1/2	102.92
CTC-7X2741	P-UB-10	1-1/2 X 3-1/4	99.43
CTC-7X2742	P-UB-14	4 X 8-1/2	296.51
CTC-7X2743	P-UB-10	2-1/2 X 5	154.10
CTC-7X2744	P-UB-10	2-1/4 X 4	75.87
CTC-7X2745	P-UB-10	1-1/2 X 3	148.96
CTC-7X2746	P-UB-10	1-1/2 X 3-1/2	83.89
CTC-7X2747	P-UB-10	2-1/4 X 4-1/2	178.68
CTC-7X2748	P-UB-10	2-1/4 X 4-1/2	147.58
CTC-7X2749	P-UB-10	1-1/2 X 2-3/4	81.02
CTC-7X2750	P-UB-10	2-1/4 X 4-1/4	156.90
CTC-7X2751	P-UB-10	1-1/2 X 3	87.84
CTC-7X2752	P-UB-10	1-1/2 X 3-1/2	130.85
CTC-7X2753	P-UB-10	2 X 3	88.94
CTC-7X2755	P-UB-10	2 X 4	156.44

Kit Number	Code (Pg. xiv)	Rod X Bore Size	List Price
CTC-7X2755A	P-UB-10	2 X 4	\$129.68
CTC-7X2756	P-UB-10	3 X 5-1/4	173.43
CTC-7X2757	P-UB-10	3-1/4 X 6	300.52
CTC-7X2760	P-UB-10	2 X 3	96.66
CTC-7X2761	P-UB-10	1-3/4 X 4	76.92
CTC-7X2762	P-UB-10	1-3/4 X 3-1/2	137.14
CTC-7X2763	P-V-10	2 X 5	185.79
CTC-7X2764	P-UB-10	1-3/4 X 3-1/4	94.31
CTC-7X2765	P-UB-14	4 X 6-1/2	323.31
CTC-7X2766	P-UB-10	2 X 4-1/4	60.53
CTC-7X2767	P-UB-10	2 X 3-1/4	93.15
CTC-7X2768	P-UB-10	2 X 4-1/2	121.61
CTC-7X2769	P-UB-10	2 X 3-1/2	154.64
CTC-7X2770	P-V-10	2 X 4-1/2	134.35
CTC-7X2773	P-UB-10	2-1/2 X 4-3/4	178.45
CTC-7X2782	P-UB-10	2 X 4	58.48
CTC-7X2783	P-UB-10	2 X 3-1/2	141.24
CTC-7X2784	P-UB-10	1-3/4 X 3-1/2	77.28
CTC-7X2785	P-UB-10	2 X 4	112.13
CTC-7X2787	P-UB-10	2 X 3-3/4	141.74
CTC-7X2788	P-UB-10	2 X 5	162.73
CTC-7X2789	P-UB-10	2 X 4	139.93
CTC-7X2790	P-UB-10	1-3/4 X 4	127.50
CTC-7X2791	P-UB-10	1-3/4 X 3	121.52
CTC-7X2792	P-UB-10	2 X 3-1/2	120.39
CTC-7X2793	P-UB-10	4 X 10-1/2	404.41
CTC-7X2794	P-UB-10	3-3/4 X 6	509.31
CTC-7X2795	P-UB-10	2-1/4 X 4	144.80
CTC-7X2796	P-V-10	2-3/4 X 9-1/4	166.65
CTC-7X2797	P-V-10	2 X 5	97.25
CTC-7X2798	P-UB-10	2-1/4 X 3-3/4	104.11
CTC-7X2799	P-UB-10	4 X 9-1/4	389.51
CTC-7X2800	P-V-10	2 X 4	86.50
CTC-7X2801	P-UB-10	3-1/4 X 8-1/4	312.90
CTC-7X2802	P-UB-10	2-1/4 X 4	125.77
CTC-7X2803	P-UB-10	2-3/4 X 6	225.67
CTC-7X2804	P-UB-14	2-3/4 X 6-1/2	255.44
CTC-7X2805	P-UB-10	2 X 4-1/2	87.32
CTC-7X2806	P-U-10	2 X 3-1/2	166.43
CTC-7X2807	P-UB-10	1-3/4 X 3-3/4	50.79
CTC-7X2808	P-UB-10	2-3/8 X 3-3/4	110.61
CTC-7X2809	P-UB-10	7 X 11-1/2	619.73
CTC-7X2810	P-UB-10	4 X 10	316.61
CTC-7X2811	P-UB-14	4 X 10	376.56
CTC-7X2812	P-UB-10	1-1/2 X 3-1/2	138.26
CTC-7X2813	P-UB-10	3 X 5-1/2	257.51
CTC-7X2814	P-UB-14	3-3/4 X 6	272.35
CTC-7X2815	P-UB-10	2-1/4 X 4-3/4	132.64
CTC-7X2816	P-UB-10	4 X 5	268.30
CTC-7X2817	P-UB-10	4 X 10	391.42
CTC-7X2818	P-UB-10	2-1/4 X 3-1/2	123.74

CATERPILLAR®

REPLACEMENT KITS FOR CATERPILLAR® EQUIPMENT

NOTE: CATERPILLAR kit numbers are used as a reference only. We do not imply that these kits are original REPLACEMENT KITS.

Kit Number	Code (Pg. xiv)	Rod X Bore Size	List Price	Kit Number	Code (Pg. xiv)	Rod X Bore Size	List Price
CTC-7X2819	P-UB-10	2 X 4-1/4	\$144.19	CTC-8T1376	P-UB-10	2-1/2 X 6-1/2	\$109.10
CTC-7X2820	P-UB-10	1-3/4 X 2-3/4	108.52	CTC-8T1378	P-UB-10	2-1/2 X 4	93.15
CTC-7X2821	P-UB-10	2 X 3-1/4	164.69	CTC-8T1379	P-UB-10	3-1/4 X 8-1/4	172.99
CTC-7X2822	P-UB-10	2 X 3-1/2	131.03	CTC-8T1380	P-UB-10	2 X 3-1/2	72.46
CTC-7X2823	P-UB-10	3-1/4 X 5-1/2	325.18	CTC-8T1381	P-UB-10	2-1/2 X 4-3/4	104.44
CTC-7X2824	P-U-10	2-3/4 X 5	163.10	CTC-8T1382	P-UB-10	1-1/2 X 4	51.20
CTC-7X2825	P-UB-10	1-3/4 X 3	73.65	CTC-8T1383	P-UB-10	2-3/4 X 6-1/2	114.58
CTC-7X2826	P-UB-10	1-1/2 X 2-1/4	55.89	CTC-8T1384	P-UB-10	4 x 8-1/2	281.19
CTC-7X2827	P-UB-10	1-3/4 X 2-1/2	54.89	CTC-8T1385	P-UB-10	2-1/4 X 5	108.21
CTC-7X2828	P-UB-10	1-3/4 X 2-3/4	76.29	CTC-8T1386	P-UB-10	2 X 4	92.39
CTC-7X2836	P-UB-14	2-1/2 X 6	204.35	CTC-8T1387	I-U-10	3/4 X 1-1/2	54.95
CTC-7X2882	P-UB-10	1-3/4 X 3-1/2	89.40	CTC-8T1388	P-UB-10	1-3/4 X 3-1/2	67.10
CTC-7X7718	P-UB-10	4-3/4 X 6-1/2	344.58	CTC-8T1389	P-UB-10	2-3/8 X 4	65.32
CTC-7X7719	P-UB-10	4-3/4 X 6-1/2	351.56	CTC-8T1390	P-V-10	2 X 5	110.93
CTC-7X7734	P-UB-10	4-3/4 X 7	455.61	CTC-8T1391	P-UB-10	3-1/4 X 6	127.07
CTC-7X7735	P-UB-10	3-1/2 X 6	345.68	CTC-8T1392	P-UB-10	1-3/4 X 3-1/4	76.55
CTC-7X7937	P-UB-10	2 X 4	191.83	CTC-8T1393	P-UB-10	3-1/2 X 8-1/2	199.23
CTC-7X7938	P-UB-10	2 X 3-3/4	143.47	CTC-8T1394	P-UB-10	3-1/4 X 7	125.64
CTC-7X7947	P-UB-10	2 X 4	85.95	CTC-8T1395	P-UB-10	2-1/4 X 4-1/2	88.11
CTC-7X7956	P-UB-10	1-3/4 X 3	41.71	CTC-8T1396	P-UB-10	2-1/4 X 4-1/2	76.97
CTC-7Y4698	P-UB-10	105 X 150 mm	455.25	CTC-8T1397	P-UB-10	1-1/2 X 2-1/2	61.33
CTC-7Y4970	P-UB-10	110 X 170 mm	516.54	CTC-8T1398	P-UB-14	3-1/4 X 5-1/2	146.05
CTC-7Y5145	P-UB-10	85 X 130 mm	366.57	CTC-8T1399	P-UB-10	3-1/4 X 7-3/4	163.63
CTC-7Y5147	P-UB-10	95 X 130 mm	409.95	CTC-8T1400	P-UB-10	3 X 6-1/2	110.76
CTC-8C3316	P-UB-10	1-1/2 X 3-1/2	72.84	CTC-8T1401	P-V-10	3-1/2 X 8-1/4	186.32
CTC-8C3317	P-UB-10	1-1/2 X 2-3/4	67.97	CTC-8T1402	P-UB-10	1-1/2 X 2-3/4	61.13
CTC-8C3318	P-UB-10	1-3/4 X 2-3/4	41.39	CTC-8T1403	P-V-10	2-1/2 X 6	160.58
CTC-8C3319	P-UB-10	1-3/4 X 4	67.01	CTC-8T1404	P-UB-10	2-3/4 X 7-1/4	149.46
CTC-8C3408	P-UB-10	2 X 3-1/2	81.63	CTC-8T1405	P-UB-10	3 X 8-1/4	201.49
CTC-8C4029	P-UB-10	1-1/2 X 3	48.15	CTC-8T1406	P-V-10	2-1/2 X 5	98.08
CTC-8C4030	P-UB-10	3-1/4 X 6-1/2	365.85	CTC-8T1408	P-UB-10	3 X 6-1/2	110.76
CTC-8C4031	P-UB-10	3-1/4 X 5-1/2	352.42	CTC-8T1409	P-UB-10	4 X 6-1/2	233.35
CTC-8C4398	P-UB-10	5-3/4 x 7	504.62	CTC-8T1410	P-UB-10	3-1/2 X 8-1/4	169.54
CTC-8C4510	P-UB-1	2	43.62	CTC-8T1411	P-UB-10	3-1/4 X 9-1/4	180.12
CTC-8C5768	P-UB-10	2-1/2 X 6	136.07	CTC-8T1412	P-UB-10	2 X 4-1/4	60.53
CTC-8C5788	I-SP-3,10	7-1/4, 11 X 9-1/2, 12-1/4	1,449.71	CTC-8T1413	P-UB-10	2-1/4 X 4-1/4	91.03
CTC-8C6707	P-UB-10	3 X 6-1/2	168.70	CTC-8T1414	P-UB-10	2 X 3-1/4	68.13
CTC-8C6896	P-UB-10	2-1/2 X 4-3/4	108.73	CTC-8T1415	P-V-10	6 X 8-1/4	405.78
CTC-8C6958	P-U-10	4-1/2 X 6	355.11	CTC-8T1416	P-UB-10	2-1/2 X 7-1/4	124.85
CTC-8C8731	P-U-10	5-3/4 X 8-1/4	542.64	CTC-8T1417	P-UB-10	2-3/4 X 7-1/4	155.82
CTC-8C9353	P-UB-10	2 X 4	81.13	CTC-8T1418	P-V-10	2-1/2 X 6	133.04
CTC-8C9438	P-UB-10	2 X 4-1/2	102.44	CTC-8T1419	P-UB-10	2 X 4-1/2	78.05
CTC-8J2004	O-RINGS		13.66	CTC-8T1420	P-UB-10	2 X 3-1/2	75.31
CTC-8J2005	O-RINGS		14.81	CTC-8T1421	P-V-10	2 X 4-3/4	107.52
CTC-8J8902K	I-SP-1	9 X 10-1/2	654.60	CTC-8T1422	P-V-10	2-1/2 X 6	160.58
CTC-8T1370	P-UB-10	2 X 4	76.24	CTC-8T1423	P-UB-10	3-1/2 X 7-1/2	168.02
CTC-8T1371	P-UB-10	1-3/4 X 4	68.69	CTC-8T1426	P-V-10	3-1/4 X 5-1/2	277.83
CTC-8T1372	P-UB-10	1-1/2 X 3-1/2	63.17	CTC-8T1427	P-V-10	3-1/4 X 6-1/2	305.16
CTC-8T1373	P-UB-10	1-3/4 X 3	58.82	CTC-8T1428	P-UB-10	3 X 5-1/4	147.45
CTC-8T1374	P-UB-10	2-1/2 X 5-1/2	128.10	CTC-8T1429	P-UB-10	2-1/2 X 4-1/4	67.75
CTC-8T1375	P-UB-10	2-1/2 X 5	92.31	CTC-8T1430	P-UB-10	3-1/4 X 9-1/4	201.51

CATERPILLAR®

REPLACEMENT KITS FOR CATERPILLAR® EQUIPMENT

NOTE: CATERPILLAR kit numbers are used as a reference only. We do not imply that these kits are original REPLACEMENT KITS.

Kit Number	Code (Pg. xiv)	Rod X Bore Size	List Price
CTC-8T1432	P-UB-10	4 X 10-1/2	\$239.03
CTC-8T1435	P-UB-10	1-1/2 X 3	59.99
CTC-8T1438	P-UB-10	2-1/2 X 4-1/4	86.06
CTC-8T1439	P-UB-10	2-1/4 X 4	87.35
CTC-8T1448	P-UB-10	3-1/2 X 10-1/2	217.60
CTC-8T1451	P-UB-10	3 X 6-1/4	128.53
CTC-8T1456	P-UB-14	6-1/2 X 10-1/2	546.43
CTC-8T1457	P-UB-10	4 X 7	263.46
CTC-8T1461	P-UB-10	4-1/4 X 6-1/2	312.13
CTC-8T1462	P-UB-14	4-3/4 X 6-1/2	333.97
CTC-8T1464	P-UB-10	2-3/8 X 4-1/4	73.54
CTC-8T1466	P-UB-10	2-1/2 X 4	89.78
CTC-8T1467	P-UB-10	3-1/2 X 8-1/4	199.07
CTC-8T1468	P-UB-10	3-1/2 X 8-1/4	157.33
CTC-8T1470	P-UB-10	2-3/4 X 4-1/2	126.56
CTC-8T1472	P-UB-10	2-1/2 X 6-1/2	111.75
CTC-8T1473	P-UB-10	2-1/4 X 3-3/4	58.78
CTC-8T1474	P-UB-10	4 X 9-1/4	206.99
CTC-8T1477	P-UB-14	3-1/2 X 8-1/4	277.48
CTC-8T1479	P-UB-10	5 X 7-3/4	523.50
CTC-8T1480	P-V-10	1-1/4 X 4	113.47
CTC-8T1481	P-V-10	2 X 4	92.98
CTC-8T1484	P-UB-10	2-1/4 X 4	85.98
CTC-8T1488	P-V-10	2-1/2 X 6	142.30
CTC-8T1489	P-UB-10	3 X 6	132.38
CTC-8T1494	P-UB-10	2-3/4 X 5-1/2	110.68
CTC-8T1525	P-UB-10	2-3/4 X 5-1/2	120.37
CTC-8T1526	P-UB-10	2-3/4 X 6	104.45
CTC-8T1527	P-UB-10	2-3/4 X 5	101.47
CTC-8T1528	P-UB-10	2-3/4 X 6-1/2	111.82
CTC-8T1529	P-UB-10	2-3/4 X 7	156.64
CTC-8T1530	P-UB-10	2-3/4 X 6-1/4	171.23
CTC-8T1531	P-UB-10	2 X 4-1/2	73.81
CTC-8T1532	P-V-10	2 X 3-1/2	86.99
CTC-8T1534	P-UB-10	2-1/2 X 4-1/2	88.70
CTC-8T1541	P-UB-10	1-3/4 X 3-3/4	62.55
CTC-8T1542	P-UB-10	2-3/8 X 3-3/4	83.01
CTC-8T1543	I-UB-10	5-1/2 X 9-1/2	631.33
CTC-8T1544	P-UB-10	7 X 11-1/2	368.97
CTC-8T1545	P-UB-14	4-3/4 X 7-1/4	396.35
CTC-8T1546	P-UB-10	4 X 10	265.80
CTC-8T1548	P-UB-10	1-1/2 X 3-1/2	65.79
CTC-8T1549	P-UB-14	3 X 5-1/2	157.75
CTC-8T1551	P-UB-14	3 X 7-1/4	155.97
CTC-8T1553	P-V-10	2-3/4 X 6	154.96
CTC-8T1554	P-V-14	2-3/4 X 6-1/2	188.97
CTC-8T1555	P-UB-14	3-1/4 X 6-1/2	148.69
CTC-8T1558	P-UB-10	5-3/4 X 8-1/4	840.18
CTC-8T1559	P-UB-10	3-1/2 X 8-1/4	154.06
CTC-8T1563	P-UB-10	3-1/4 X 5-1/2	135.66
CTC-8T1565	P-UB-14	4-3/4 X 7	336.66

Kit Number	Code (Pg. xiv)	Rod X Bore Size	List Price
CTC-8T1566	P-UB-14	3-1/4 X 6-1/2	\$149.92
CTC-8T1567	P-UB-14	4-3/4 X 7	327.00
CTC-8T1772	P-UB-10	2-1/2 X 4-1/2	111.60
CTC-8T1906	P-UB-10	3 X 6	126.39
CTC-8T1908	P-UB-14	4-3/4 X 6	298.76
CTC-8T1909	P-UB-10	5 X 6	459.59
CTC-8T2066	P-UB-10	2-1/2 X 6	145.03
CTC-8T2166	P-UB-10	3-1/4 X 8-1/4	181.72
CTC-8T2216	P-UB-10	2-1/4 X 4-3/4	102.23
CTC-8T2289	P-UB-10	4 X 5	150.23
CTC-8T2332	P-UB-10	3 X 6-1/4	142.17
CTC-8T2583	P-UB-14	3-1/2 X 8-1/2	187.75
CTC-8T3015	P-UB-10	2-1/2 X 3-3/4	80.74
CTC-8T3565	P-UB-10	4 X 10	532.09
CTC-8T3574	P-UB-10	2-1/4 X 3-1/2	69.10
CTC-8T3575	P-UB-10	2 X 4-1/4	62.08
CTC-8T3576	P-UB-10	2-1/2 X 5-1/2	123.94
CTC-8T3577	P-UB-10	2-1/2 X 5-1/2	94.93
CTC-8T3589	P-UB-10	1-7/8 X 3-1/4	110.85
CTC-8T3590	P-UB-10	2 X 3-1/4	103.30
CTC-8T3591	P-UB-10	2-1/8 X 3-1/2	143.88
CTC-8T3592	P-UB-10	2 X 3-1/2	87.51
CTC-8T3593	P-UB-10	2-1/8 X 4	97.36
CTC-8T3648	P-UB-10	3-1/4 X 9-1/4	168.06
CTC-8T3649	P-UB-10	3-1/2 X 7-1/2	172.07
CTC-8T3739	P-UB-10	3-1/4 X 8-1/4	188.72
CTC-8T3740	P-UB-10	3 X 7-1/4	143.08
CTC-8T3741	P-UB-10	2-3/4 X 6-1/2	124.68
CTC-8T3852	P-UB-10	1-7/8 X 3	264.58
CTC-8T4770	P-UB-10	3-1/4 X 7-1/4	131.30
CTC-8T4772	I-SP-10	4, 6-1/2 X 5-3/4	431.41
CTC-8T4891	P-UB-10	2-1/2 X 4-3/4	105.92
CTC-8T4892	P-UB-10	1-1/2 X 3-1/2	70.60
CTC-8T4939	I-SP-3,10	7-1/4, 10-1/2 X 9-1/4, 11-1/2	1,060.54
CTC-8T4940	P-V-10	2-3/4 X 5	117.93
CTC-8T9042	I-SP-10	5,7-1/2 X 8-1/4	624.28
CTC-9J3886	O-RINGS		2.96
CTC-9J5106	PUMP KIT		49.10
CTC-9J5118	PUMP KIT		40.36
CTC-9J5119	PUMP KIT		40.99
CTC-9J6488	O-RINGS		12.99
CTC-9M5603	P-V-10	2-3/4 X 9-1/4	225.07
CTC-9M5604	P-U-10	2-1/2 X 7-1/4	155.77
CTC-9M5605	P-V-10	2-3/4 X 8-1/4	204.86
CTC-9S3135	SPLIT FLANGE O-RING KIT		55.25
CTC-9T0418	I-U-3	1 X 2	125.53
CTC-9T1834K	P-UB-10	2-1/8 X 3-1/4	301.65
CTC-9T2716K	P-UB-10	2-1/2 X 5	110.85
CTC-9T3972K	I-SP-1	9 X 10-1/2	654.60
CTC-9T7125	P-SP-1	1" Rod Kit	22.00
CTC-9X2020	I-UB-10	2-3/4 X 3-3/4	149.28

CATERPILLAR®

REPLACEMENT KITS FOR CATERPILLAR® EQUIPMENT

NOTE: CATERPILLAR kit numbers are used as a reference only. We do not imply that these kits are original REPLACEMENT KITS.

Kit Number	Code (Pg. xiv)	Rod X Bore Size	List Price	Kit Number	Code (Pg. xiv)	Rod X Bore Size	List Price
CTC-9X2031	P-UB-10	2-1/8 X 3-1/4	\$299.47	CTC-SK100020	I-SP-10	5,7-1/2 X 6-1/2,8-1/4	\$580.60
CTC-9X2047	P-UB-10	2-1/2 X 5-1/2	124.43	CTC-SK100021	P-UB-1	9 X 10-3/4	1583.84
CTC-9X2050	P-UB-10	2-1/2 X 5-1/2	138.10	CTC-SK100022	P-UB-1	9 X 10-1/2	524.23
CTC-9X2063	P-UB-10	4-3/4 X 7	288.35	CTC-SK100023	P-UB-10	2-1/2 X 3-1/2	238.36
CTC-9X2150	P-UB-10	1-1/2 X 2-3/4	78.40	CTC-SK100024	P-UB-10	2-1/2 X 3-1/2	211.07
CTC-9X2151	P-UB-10	2-1/2 X 4-3/4	113.91	CTC-SK100025	P-UB-10	85 X 120 mm	133.10
CTC-9X2153	P-UB-10	1-1/2 X 2-3/4	72.82	CTC-SK100026	P-UB-10	60 X 90 mm	291.83
CTC-9X2400	P-UB-10	2-1/8 X 4	163.44	CTC-SK100027	P-V-10	1-1/2 X 4	36.00
CTC-9X2473	P-UB-10	2-3/4 X 6-1/2	184.58	CTC-SK100029	I-V-10	1-1/2 X 4	31.11
CTC-9X2515	P-UB-10	2-1/4 X 4	75.87	CTC-SK100030	P-V-8	2 X 5	111.10
CTC-9X2638	P-UB-10	1-3/4 X 2-3/4	48.98	CTC-SK100031	P-U-10	2-1/2 X 4-1/2	69.95
CTC-9X2641	P-UB-10	2-1/4 X 4	75.87	CTC-SK100032	P-U-10	2-1/2 X 6	131.95
CTC-9X2644	P-UB-10	3-1/2 X 7-3/4	269.94	CTC-SK100033	P-U-10	2-1/2 X 6	91.77
CTC-9X2645	P-UB-10	3-1/2 X 7-3/4	155.76	CTC-SK100034	P-UB-10	2-3/4 X 7-1/4	110.55
CTC-9X6027	P-SP-10	2-1/2 X 5-1/2	155.68	CTC-SK100035	P-UB-10	2-3/4 X 5-1/2	85.77
CTC-9X6254	P-UB-10	4-1/4 X 6-1/2	331.95	CTC-SK100036	P-V-10	2-3/4 X 7-1/4	124.76
CTC-9X6255	P-UB-10	4-1/4 X 6-1/2	335.67	CTC-SK100037	P-V-10	2-3/4 X 8-1/4	159.87
CTC-9X6261	P-UB-10	4 X 6	317.69	CTC-SK100038	I-V-10	2-3/4 X 7-1/4	115.73
CTC-9X6263	P-UB-10	4 X 6	282.47	CTC-SK100039	P-UB-10	3 X 8-1/4	116.06
CTC-9X6379	P-UB-10	4-1/4 X 6-1/2	435.40	CTC-SK100040	P-V-10	3 X 8-1/4	169.23
CTC-9X6392	P-UB-10	2-1/4 X 5	219.47	CTC-SK100041	P-V-10	3 X 9-1/4	182.35
CTC-9X6393	P-UB-10	3-3/4 X 6	374.85	CTC-SK100042	I-V-10	3 X 8-1/4	171.67
CTC-9X6398	P-V-10	3-1/4 X 6-1/2	299.98	CTC-SK100043	I-UB-10	3-1/4 X 9-1/4	153.07
CTC-C75300011	P-UB-13	70 X 110 mm	336.11	CTC-SK100044	P-V-10	3-1/4 X 9-1/4	181.00
CTC-C75300021	P-UB-13	80 X 120 mm	321.44	CTC-SK100045	I-V-10	3-1/4 X 9-1/4	175.04
CTC-C75300031	P-UB-13	65 X 110 mm	354.81	CTC-SK100046	P-UB-10	3-1/2 X 8-1/4	205.35
CTC-C95300623	P-UB-10	80 X 120 mm	380.02	CTC-SK100047	I-UB-10	3 X 8-1/4	149.21
CTC-C95300731	P-UB-10	65 X 100 mm	260.86	CTC-SK100048	P-V-13	7-1/4 X 10-1/4	658.90
CTC-C95301729	P-UB-10	75 X 110 mm	267.04	CTC-SK100049	P-V-13	7-1/4 X 10-1/4	657.51
CTC-E25300061	P-UB-14	90 X 140 mm	581.80	CTC-SK100050	I-U-10	1 X 2	37.22
CTC-E35300040	P-UB-10	85 X 125 mm	442.69	CTC-SK100051	P-UB-10	3-1/2 X 8-1/4	245.37
CTC-E75300010	P-UB-10	100 X 140 mm	528.39	CTC-SK100052	P-UB-10	3 X 6-1/4	186.12
CTC-E85300011	P-UB-10	85 X 120 mm	533.48	CTC-SK100053	P-UB-10	4 X 6-1/2	381.13
CTC-E85300021	P-UB-10	95 X 130 mm	588.59	CTC-SK100054	P-UB-10	2-1/2 X 5-1/2	284.88
CTC-E85300031	P-UB-10	75 X 115 mm	494.72	CTC-SK100055	P-UB-10	2-1/4 X 5	481.77
CTC-F15300011	P-UB-14	100 X 150 mm	644.33	CTC-SK100056	P-UB-10	2-3/4 X 5-1/2	141.62
CTC-F15300021	P-UB-14	110 X 160 mm	534.60	CTC-SK100057	N-N-10	5	41.94
CTC-SK100001	P-UB-10	60 X 100 mm	182.89	CTC-SK100059	N-N-10	5	104.27
CTC-SK100003	P-UB-10	95 X 130 mm	260.47	CTC-SK100060	P-U-1	7 X 8	941.00
CTC-SK100004	P-UB-10	130 X 180 mm	541.12	CTC-SK100061	P-UB-10	2-1/2 X 3-1/2	116.46
CTC-SK100005	P-UB-10	70 X 140 mm	385.53	CTC-SK100062	P-SP,U-1	12-1/2 X 15-1/8	2,384.80
CTC-SK100006	P-UB-10	115 X 170 mm	533.23	CTC-SK100063	P-SP,U-1	12-1/2 X 15-1/8	2,410.33
CTC-SK100007	P-UB-10	2-1/2 X 4	62.04	CTC-SK100064	P-UB-10	2-3/4 X 6	260.18
CTC-SK100008	P-UB-10,12	2-1/2 X 4	415.16	CTC-SK100065	P-UB-10	40 mm X 90 mm	60.77
CTC-SK100009	P-UB-10	2-1/2 X 5-1/2	100.66	CTC-SK100066	P-UB-10	7-1/4 X 10	585.08
CTC-SK100010	P-UB-10	3-1/4 X 7	271.32	CTC-SK100081	P-UB-10	6-1/2 X 220 mm	847.57
CTC-SK100011	P-UB-10	3-1/2 X 6	205.09	CTC-SK100089	P-UB-10	7 X 220 mm	616.53
CTC-SK100012	P-UB-10	3 X 5	176.10	CTC-SK100090	P-UB-10	7 X 220 mm	593.62
CTC-SK100017	P-UB-10	6-1/2 X 9-1/4	1,246.05	CTC-SK100095	P-UB-10	2-1/2 X 3-1/2	120.72
CTC-SK100018	P-UB-10	7 X 10	1,173.68	CTC-SK100097	P-UB-1	7 X 8-1/2	398.75
CTC-SK100019	P-UB-10	150 X 220 mm	664.64	CTC-SK100106	P-UB-10	85 X 150 mm	189.40

CATERPILLAR®

REPLACEMENT KITS FOR CATERPILLAR® EQUIPMENT

NOTE: CATERPILLAR kit numbers are used as a reference only. We do not imply that these kits are original REPLACEMENT KITS.

Kit Number	Code (Pg. xiv)	Rod X Bore Size	List Price
CTC-SK100107	P-UB-10	85 X 140 mm	\$175.65
CTC-SK100108	P-UB-10	85 X 160 mm	202.06
CTC-SK100112	P-UB-10	1-1/2 X 3	52.17
CTC-SK100113	P-UB-10	60 X 110 mm	204.37
CTC-SK100114	P-UB-10	45 X 90 mm	144.10
CTC-SK100163	P-UB-10	85 X 150 mm	185.99
CTC-SK100164	P-UB-10	85 X 170 mm	313.91
CTC-SK100165	P-UB-10	100 X 190 mm	261.81
CTC-SK100166	P-UB-10	100 X 190 mm	296.09
CTC-SK100167	P-UB-10	90 X 170 mm	258.03
CTC-SK100180	P-U-10	55 X 90 mm	79.46
CTC-SK100181	P-U-10	55 X 100 mm	102.60
CTC-SK100182	P-U-10	50 X 80 mm	97.54
CTC-SK100183	P-U-10	55 X 90 mm	91.64
CTC-SK100184	P-U-10	55 X 100 mm	102.60
CTC-SK100185	P-U-10	55 X 100 mm	102.60
CTC-SK100186	P-U-10	55 X 90 mm	91.64
CTC-SK100188	P-UB-10	55 X 85 mm	119.07
CTC-SK100189	P-UB-10	70 X 110 mm	230.35
CTC-SK100190	P-UB-10	60 X 95 mm	140.06
CTC-SK100196	P-UB-10	2-1/4 X 4	116.95
CTC-SK100207	TRACK ADJ	TRACK ADJ	37.35
CTC-SK100208	P-UB-10	100 X 170	253.22

Kit Number	Code (Pg. xiv)	Rod X Bore Size	List Price
CTC-SK100209	P-UB-10	100 X 150	\$189.62
CTC-SK100210	P-UB-10	100 X 150	227.54
CTC-SK100211	P-U-10	40 X 55	61.43
CTC-SK100212	P-U-10	30 X 65	60.47
CTC-SK100219	P-UB-10	65 mm X 130 mm	150.73
ELPH-1DE3187	P-UB-14	4 X 230 mm	510.41
ELPH-9DE1800	P-UB-10	3 X 6	252.48
ELPH-9DE1809	P-UB-10	2-1/2 X 5	217.44
ELPH-9DE1817	P-UB-10	3-1/4 X 7-3/4	324.65
ELPH-9DE2659	P-UB-10	4 X 8-1/2	348.14
ELPH-9DE2994	P-UB-10	4 X 10	444.89
ELPH-9EL7527	P-UB-10	4 X 8-1/2	388.37
ELPH-9EL8333	P-UB-10	5-1/2 X 10-1/2	769.24
ELPH-9EP9170	P-UB-10	5 X 9-1/4	431.71
ELPH-9EQ0379	P-UB-10	3 X 6	295.88
ELPH-9EQ0380	P-UB-10	4-1/4 X 8-1/4	316.65

REPLACEMENT PARTS FOR CATERPILLAR® EQUIPMENT

NOTE: CATERPILLAR kit numbers are used as a reference only. We do not imply that these kits are original REPLACEMENT PARTS.

1 PIECE BUFFER RINGS

Part Number	Rod Dia.	List Price
CTC-5P4673	7/8	\$5.43
CTC-9J3497	1-1/4	6.92
CTC-6J9733	1-1/2	7.57
CTC-6J9178	1-3/4	6.16
CTC-4T6778	1-7/8	16.75
CTC-9X3566	1-7/8	20.08
CTC-6J6917	2	5.77
CTC-4T6127	2-1/8	7.78
CTC-4T6127N	2-1/8	7.78
CTC-9X3568	2-1/8	24.94
CTC-5J3616	2-1/4	8.71
CTC-6J6916	2-3/8	7.79
CTC-5J3620	2-1/2	7.28
CTC-1U4020	2-5/8	13.91
CTC-6J6553	2-3/4	8.55
CTC-6J6915	3	9.89
CTC-6J7167	3-1/4	9.37
CTC-6J6736	3-1/2	10.97
CTC-8J6070	3-3/4	12.40
CTC-8J4627	4	17.98
CTC-7J8943	4-1/4	25.31
CTC-3G5055	4-3/8	11.76
CTC-7J9257	4-3/4	16.50
CTC-2892943	5	12.53
CTC-8J4509	5	17.10
CTC-9J5468	5-3/4	28.07
CTC-6J8631	6-1/2	23.56
CTC-9J2495	7	29.09
CTC-2892940	7-1/2	25.46
CTC-4413079	45 mm	11.72
CTC-0959791	50 mm	11.65
CTC-A04600811	65 mm	14.25
CTC-4413141	65 mm	13.14
CTC-4414069	70 mm	13.44
CTC-4412545	75 mm	14.19
CTC-4411132	80 mm	14.56
CTC-A04600813	80 mm	17.12
CTC-7Y4630	95 mm	70.39

2 PIECE BUFFER RINGS

Part Number	Rod Dia.	List Price
CTC-8C9122	1-1/2	\$18.68
CTC-1672190	1-3/4	5.76
CTC-8C9123	1-3/4	19.91
CTC-1672195	2	4.68
CTC-8C9124	2	21.80
CTC-8C9125	2-1/4	28.08
CTC-8C9138	2-3/8	31.27
CTC-8C3839	2-1/2	25.99
CTC-1672206	2-5/8	30.12
CTC-9T9363	2-5/8	30.12
CTC-1672207	2-3/4	9.67
CTC-8C3841	2-3/4	33.14
CTC-8C9126	3	22.02
CTC-8C9121	3-1/4	33.02
CTC-1672211	3-1/2	10.95
CTC-2017748	3-1/2	39.91
CTC-8C9127	3-1/2	39.91
CTC-8C9128	3-3/4	42.31
CTC-1672216	4	14.62
CTC-8C9129	4	44.62
CTC-6E0425	4-1/4	98.56
CTC-1672220	4-1/2	75.38
CTC-2951317	4-1/2	75.38
CTC-3358964	4-1/2	75.38
CTC-3G8507	4-1/2	61.23
CTC-8C9144	4-1/2	61.23
CTC-9X7261	4-3/4	100.13
CTC-9X3581	5	104.02
CTC-9X7267	5-1/4	82.62
CTC-9X3575	5-3/4	106.15
CTC-8C9130	7	83.08
CTC-1095258	35.4 mm	15.64
CTC-2774162	45 mm	66.63
CTC-1410706	50 mm	24.66
CTC-2774131	50 mm	24.66
CTC-0996997	55 mm	24.80
CTC-1572237	55 mm	32.24
CTC-2773384	55 mm	24.80
CTC-0931481	60 mm	35.22

2 PIECE BUFFER RINGS

Part Number	Rod Dia.	List Price
CTC-1336784	60 mm	\$35.22
CTC-0931482	65 mm	41.89
CTC-1262149	65 mm	41.89
CTC-A04601014	65 mm	41.89
CTC-0931483	70 mm	45.74
CTC-1262150	70 mm	45.74
CTC-1672235	70 mm	8.94
CTC-1709841	70 mm	45.74
CTC-1709842	75 mm	48.61
CTC-A04601015	70 mm	45.74
CTC-0963469	75 mm	48.61
CTC-1262151	75 mm	48.61
CTC-A04601016	75 mm	48.61
CTC-0931484	80 mm	51.49
CTC-1262152	80 mm	51.49
CTC-1709843	80 mm	51.49
CTC-A04601017	80 mm	51.49
CTC-7Y5118	85 mm	55.23
CTC-1231943	85 mm	55.23
CTC-1540732	85 mm	55.23
CTC-1709844	85 mm	55.23
CTC-2043622	85 mm	55.23
CTC-2742494	85 mm	55.23
CTC-0961585	90 mm	66.68
CTC-1540752	90 mm	66.68
CTC-1672212	90 mm	66.68
CTC-1709845	90 mm	66.68
CTC-2043624	90 mm	66.68
CTC-2742495	90 mm	66.68
CTC-1672213	95 mm	70.39
CTC-1709846	95 mm	70.39
CTC-2095957	95 mm	70.39
CTC-2590652	95 mm	70.39
CTC-0962663	100 mm	72.42
CTC-1231983	100 mm	72.42
CTC-1540739	100 mm	72.42
CTC-1672215	100 mm	72.42
CTC-1709847	100 mm	72.42
CTC-2043623	100 mm	72.42

CATERPILLAR®

REPLACEMENT PARTS FOR CATERPILLAR® EQUIPMENT

NOTE: CATERPILLAR kit numbers are used as a reference only. We do not imply that these kits are original REPLACEMENT PARTS.

2 PIECE BUFFER RINGS

Part Number	Rod Dia.	List Price
CTC-2742496	100 mm	\$72.42
CTC-1231942	105 mm	75.05
CTC-1540770	105 mm	75.05
CTC-1672217	105 mm	75.05
CTC-2096009	105 mm	75.05
CTC-2667956	105 mm	75.05
CTC-1289266	110 mm	78.14
CTC-2667957	110 mm	78.14
CTC-7Y4943	110 mm	78.14
CTC-A04601018	110 mm	78.14
CTC-1915645	115 mm	43.10
CTC-2590773	115 mm	43.10
CTC-1704827	125 mm	60.17
CTC-0965169	130 mm	131.67
CTC-1709850	130 mm	131.67
CTC-2667958	130 mm	131.67
CTC-1672226	140 mm	214.40
CTC-1709851	140 mm	214.40
CTC-8C9189	140 mm	214.40
CTC-1672229	150 mm	140.54
CTC-1709853	150 mm	140.54
CTC-8C9193	150 mm	140.54

3 PIECE BUFFER RINGS

Part Number	Rod Dia.	List Price
CTC-2332616	50 mm	\$8.93
CTC-2332615	55 mm	8.93
CTC-1505840	80 mm	76.33
CTC-0861023	85 mm	80.56
CTC-1672210	85 mm	80.56
CTC-4I3611	85 mm	80.56
CTC-1052576	90 mm	84.80
CTC-1076257	100 mm	97.45
CTC-0556510010	100 mm	42.29
CTC-4I3626	100 mm	97.45
CTC-1140704	105 mm	101.68

DYR STYLE BUFFER RINGS

Part Number	Rod Dia.	List Price
CTC-1672186	1-1/2	\$8.13
CTC-1672191	1-3/4	26.39
CTC-3081884	1-3/4	26.39
CTC-1672192	1-7/8	8.91
CTC-3081876	2	92.03
CTC-2892935	2	4.68
CTC-1672201	2-1/2	7.06
CTC-1672204	2-1/2	57.38
CTC-2892937	2-1/2	11.61
CTC-1672200	2-1/4	6.26
CTC-1506744	2-1/8	39.63
CTC-1672197	2-1/8	39.63
CTC-1672198	2-1/8	7.30
CTC-1485674	2-3/4	33.45
CTC-1672202	2-3/8	8.23
CTC-1529022	3	36.13
CTC-1672208	3	11.43
CTC-3124248	3	36.13
CTC-3119316	3-1/2	41.52
CTC-1672209	3-1/4	10.39
CTC-3465193	3-1/4	10.39
CTC-1672214	3-3/4	12.41
CTC-3465192	3-3/4	12.41
CTC-3119319	4	50.75
CTC-1672218	4-1/4	265.71
CTC-1672221	4-3/4	282.36
CTC-1672725	5-1/2	101.34
CTC-1211601	5-3/4	71.17
CTC-9X7322	6-1/2	351.70
CTC-1351995	7	73.87
CTC-1672233	7	73.87
CTC-3306820	7	75.23
CTC-3469380	7	73.87
CTC-1080133	7-1/4	78.51
CTC-1672234	7-1/4	78.51
CTC-1351997	7-1/2	80.78
CTC-1672236	7-1/2	80.78
CTC-3306822	9	98.09

DYR STYLE BUFFER RINGS

Part Number	Rod Dia.	List Price
CTC-1672239	8	\$89.21
CTC-1465150	40 mm	12.11
CTC-1672242	45 mm	52.48
CTC-1672183	50 mm	37.56
CTC-3295788	50 mm	30.82
CTC-1336785	55 mm	24.80
CTC-1709838	55 mm	24.80
CTC-1672199	55 mm	24.80
CTC-3295789	55 mm	24.80
CTC-1672185	60 mm	66.42
CTC-1709839	60 mm	35.22
CTC-1460739	65 mm	41.89
CTC-1709840	65 mm	41.89
CTC-3494116	70 mm	83.57
CTC-4161298	70 mm	83.57
CTC-1672184	75 mm	122.82
CTC-3494115	75 mm	89.80
CTC-4161276	75 mm	89.80
CTC-1672243	80 mm	125.92
CTC-2095960	80 mm	51.49
CTC-3555814	80 mm	94.33
CTC-4161287	80 mm	94.33
CTC-3500952	85 mm	55.23
CTC-4161315	85 mm	72.20
CTC-3555818	85 mm	72.20
CTC-1232048	90 mm	66.68
CTC-3500953	90 mm	15.59
CTC-1505885	95 mm	70.39
CTC-3722151	95 mm	134.19
CTC-3500954	95 mm	15.59
CTC-4161320	95 mm	147.94
CTC-3776022	100 mm	138.88
CTC-3500955	100 mm	18.29
CTC-3246438	105 mm	75.05
CTC-3500956	105 mm	19.13
CTC-3338687	110 mm	78.14
CTC-1232031	110 mm	78.14
CTC-3249484	115 mm	43.10

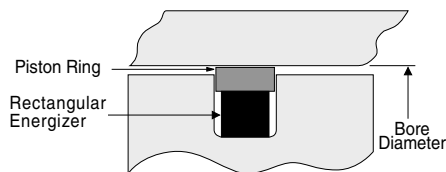
REPLACEMENT PARTS FOR CATERPILLAR® EQUIPMENT

NOTE: CATERPILLAR kit numbers are used as a reference only. We do not imply that these kits are original REPLACEMENT PARTS.

DYR STYLE BUFFER RINGS

Part Number	Rod Dia.	List Price
CTC-3338672	130 mm	\$131.67
CTC-1262108	130 mm	131.67
CTC-1475769	140 mm	214.40
CTC-3673928	140 mm	146.23

2 PIECE PISTON SEALS



Part Number	Bore Dia.	List Price
CTC-5J9822	1-1/2	\$12.67
CTC-5J7004	2	12.66
CTC-5J7004A	2	12.66
CTC-1U3998	2-1/4	16.84
CTC-1U3998A	2-1/4	16.84
CTC-8J6213	2-1/2	15.06
CTC-8J6213A	2-1/2	15.06
CTC-5J7010	2-3/4	23.02
CTC-5J7010A	2-3/4	23.02
CTC-6J1972	3	16.95
CTC-6J1972A	3	16.95
CTC-2443839	3-1/4	104.16
CTC-6J0793	3-1/4	24.05
CTC-6J0793A	3-1/4	24.05
CTC-5J7013	3-1/2	18.26
CTC-5J7013A	3-1/2	18.26
CTC-5J8011	3-3/4	30.60
CTC-5J8011A	3-3/4	30.60
CTC-5J5402	4	23.80
CTC-5J5402A	4	23.80
CTC-5J7854	4-1/4	25.70
CTC-5J7854A	4-1/4	25.70
CTC-5J4986	4-1/2	29.71
CTC-5J4986A	4-1/2	29.71
CTC-5J4987	4-3/4	32.47
CTC-5J4987A	4-3/4	32.47
CTC-5J5020	5	35.19

2 PIECE PISTON SEALS

Part Number	Bore Dia.	List Price
CTC-5J5020A	5	\$35.19
CTC-6J9354	5	38.75
CTC-5J7234	5-1/4	39.30
CTC-5J7234A	5-1/4	39.30
CTC-5J4988	5-1/2	34.38
CTC-5J4988A	5-1/2	34.38
CTC-9J4981	5-3/4	48.27
CTC-5J4989	6	39.75
CTC-5J4989A	6	39.75
CTC-5J4990	6-1/4	40.62
CTC-5J4990A	6-1/4	40.62
CTC-5J4991	6-1/2	45.63
CTC-5J4991A	6-1/2	45.63
CTC-5J4997	7	49.46
CTC-5J4997A	7	49.46
CTC-5J4993	7-1/4	55.17
CTC-5J4993A	7-1/4	55.17
CTC-9J7117	7-1/2	86.16
CTC-9J7117A	7-1/2	86.16
CTC-5J7016	7-3/4	88.66
CTC-5J7016A	7-3/4	88.66
CTC-5J5559	8-1/4	47.67
CTC-5J5559A	8-1/4	47.67
CTC-6J9385	8-1/2	57.80
CTC-6J9385A	8-1/2	57.80
CTC-5J7019	9-1/4	70.17
CTC-5J7019A	9-1/4	70.17
CTC-1214179	10	126.32
CTC-1674004	50 mm	12.87
CTC-1449483	55 mm	14.69
CTC-1449485	60 mm	16.14
CTC-1980659	60 mm	14.48
CTC-2047228	65 mm	23.91
CTC-1403750	65 mm	38.44
CTC-1617144	65 mm	21.28
CTC-1404273	70 mm	40.16
CTC-1617145	70 mm	19.39
CTC-1754721	70 mm	40.16
CTC-1617146	75 mm	19.62
CTC-1920684	75 mm	39.59
CTC-1930784	75 mm	25.67
CTC-1991141	75 mm	39.59

2 PIECE PISTON SEALS

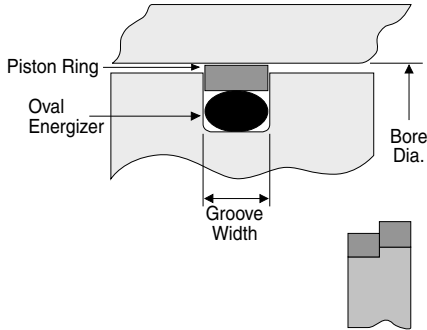
Part Number	Bore Dia.	List Price
CTC-1200890	75 mm	\$25.67
CTC-2107029	75 mm	39.59
CTC-4413082	75 mm	21.11
CTC-1463923	80 mm	40.92
CTC-1617147	80 mm	24.44
CTC-1931394	80 mm	44.25
CTC-1931770	85 mm	32.54
CTC-1463968	85 mm	42.09
CTC-1617149	85 mm	37.74
CTC-1934313	85 mm	36.58
CTC-2107026	85 mm	42.09
CTC-2332584	85 mm	37.74
CTC-3825817	85 mm	30.96
CTC-1463994	90 mm	44.45
CTC-1708800	90 mm	44.45
CTC-1445287	90 mm	38.64
CTC-1931368	90 mm	51.68
CTC-1522464	95 mm	49.52
CTC-4410265	95 mm	42.27
CTC-1708781	100 mm	41.51
CTC-2057956	100 mm	41.51
CTC-1407649	100 mm	40.41
CTC-4406076	100 mm	43.48
CTC-0963893	110 mm	60.97
CTC-3406338	110 mm	40.64
CTC-3825755	110 mm	40.97
CTC-1460743	115 mm	47.54
CTC-4413147	115 mm	51.16
CTC-0967803	120 mm	62.43
CTC-3406339	120 mm	49.29
CTC-1864955	125 mm	68.92
CTC-0961564	125 mm	62.43
CTC-0861345	130 mm	64.60
CTC-3406340	130 mm	70.67
CTC-4958200	130 mm	30.43
CTC-2344583	135 mm	72.96
CTC-4411134	140 mm	69.01
CTC-0961570	140 mm	73.76
CTC-3512190	150 mm	46.64
CTC-5536505	150 mm	85.86

CATERPILLAR®

REPLACEMENT PARTS FOR CATERPILLAR® EQUIPMENT

NOTE: CATERPILLAR kit numbers are used as a reference only. We do not imply that these kits are original REPLACEMENT PARTS.

2 PIECE STEP-CUT PISTON SEALS



Part Number	Bore Dia.	Groove Width	List Price
CTC-1665295	2-3/4	0.19	\$45.39
CTC-4T8054	3-1/2	0.19	34.15
CTC-2613644	3-3/4	0.19	42.37
CTC-8C9160	4	0.25	44.06
CTC-9X7269	4-1/2	0.25	64.54
CTC-4T8588	4 3/4	0.25	75.64
CTC-9X7264	5	0.38	61.30
CTC-1546744	5-3/8	0.38	67.80
CTC-8T0763	5-1/4	0.38	80.82
CTC-6E0465	5-1/2	0.38	66.56
CTC-4T5173	5-1/2	0.63	52.72
CTC-1921441	6	0.63	57.24
CTC-4T4144	6	0.63	57.24
CTC-8T1788	6 1/4	0.63	76.51
CTC-4T8695	6-1/2	0.63	51.15
CTC-8T1789	7	0.63	59.96
CTC-1921439	7-1/2	0.63	115.07
CTC-8T1791	7-1/2	0.63	115.07
CTC-9X7459	7-1/2	0.63	115.07
CTC-8T1792	7-3/4	0.63	63.44
CTC-9T0119	8-1/2	0.63	76.55
CTC-8T1793	8-1/4	0.63	80.91
CTC-1921435	9-1/4	0.38	135.73
CTC-4T4143	9-1/4	0.38	135.73
CTC-1723542	10	0.69	120.69
CTC-8T1794	10	0.69	120.69
CTC-8T1796	10-1/2	0.69	131.31
CTC-1080125	11	0.69	100.12
CTC-8T1797	11-1/2	0.69	154.63
CTC-1921453	12-1/2	0.69	232.42
CTC-1846970	75 mm		80.61
CTC-1841687	85 mm		44.11
CTC-2332585	100 mm	6.30 mm	42.56
CTC-9X7298	100 mm	7.24 mm	71.78

2 PIECE STEP-CUT PISTON SEALS

Part Number	Bore Dia.	Groove Width	List Price
CTC-9X7301	110 mm	7.24 mm	\$74.75
CTC-9X3589	115 mm	7.24 mm	54.57
CTC-4958191	120 mm	7,24 mm	74.84
CTC-9X3592	120 mm	7.24 mm	77.08
CTC-9X3595	130 mm	7.24 mm	30.43
CTC-2371934	135 mm	7.24 mm	139.64
CTC-9X3598	140 mm	9.63 mm	92.25
CTC-4958212	150 mm	9.63 mm	85.86
CTC-9X3601	150 mm	9.63 mm	85.86
CTC-9X3604	160 mm	9.63 mm	70.43
CTC-5062321	160 mm	9.63 mm	70.43
CTC-9X3607	170 mm	9.63 mm	99.64
CTC-5062322	170 mm	9.63 mm	99.64
CTC-9X3610	180 mm	9.63 mm	75.42
CTC-1251286	190 mm	9.63 mm	82.27
CTC-4958218	190 mm	9.63 mm	82.27
CTC-1723918	210 mm	9.63 mm	55.30
CTC-1921425	220 mm	9.63 mm	97.18
CTC-8C9182	220 mm	9.63 mm	97.18

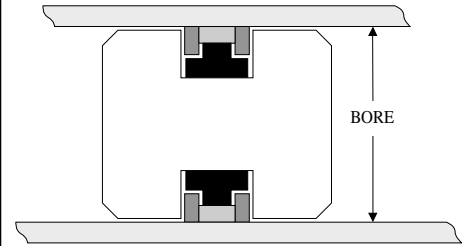
3 PIECE PISTON SEALS

Part Number	Rod Dia.	List Price
CTC-0556510010	100 mm	\$42.29

5 PIECE PISTON SEALS

Part Number	Bore Dia.	List Price
CTC-0931488	90 mm	\$150.35
CTC-5W6382	110 mm	30.67
CTC-A04601216	120 mm	193.25
CTC-8Q5983	140 mm	51.50
CTC-1843474	150 mm	44.28

CAPPED PISTON T-SEALS



Part Number	Bore Dia.	List Price
CTC-8J3747	4-1/2	\$130.82
CTC-9J7868	5	159.85
CTC-8J8767	5-1/2	179.36
CTC-9J1242	6	187.41
CTC-9J5558	6-1/4	191.42
CTC-8J8703	6-1/2	211.20
CTC-8J3749	7	217.78
CTC-8J4510	7-1/4	224.85
CTC-9J5567	7-1/2	228.01
CTC-8J5644	7-3/4	237.55
CTC-8J4390	8-1/4	253.41
CTC-3G4762	8-1/2	313.70
CTC-9J3406	10	315.35
CTC-3G4765	10-1/2	340.59
CTC-9J2987	11-1/2	387.67
CTC-2508729	75 mm	58.94
CTC-0996998	80 mm	66.07
CTC-1231669	85 mm	75.95
CTC-2639886	85 mm	75.95
CTC-0996973	90 mm	74.43
CTC-2773389	95 mm	75.95
CTC-3049305	95 mm	75.95
CTC-5I5928	100 mm	80.41
CTC-0996922	110 mm	85.57
CTC-4161280	110 mm	85.57
CTC-A04601713	110 mm	85.57
CTC-3825838	120 mm	89.18
CTC-4161291	120 mm	89.18
CTC-5391744	160 mm	149.92
CTC-A04601719	160 mm	149.92

REPLACEMENT PARTS FOR CATERPILLAR® EQUIPMENT

NOTE: CATERPILLAR kit numbers are used as a reference only. We do not imply that these kits are original REPLACEMENT PARTS.

NON CATERPILLAR PISTON SEALS

Part Number	Bore Dia.	List Price
CTC-3E4244	1	\$5.13
CTC-3E4245	1-1/8	6.84
CTC-3E4246	1-1/4	5.66
CTC-3E4247	1-1/2	5.89
CTC-3E4248	1-5/8	5.99
CTC-3E4249	1-3/4	6.14
CTC-3E4250	2	6.37
CTC-3E4251	2-1/4	6.62
CTC-3E4252	2-1/2	6.70
CTC-3E4253	2-3/4	6.76
CTC-3E4254	3	6.96
CTC-3E4255	3-1/4	7.07
CTC-3E4256	3-1/2	7.27

BACK-UP RINGS

Part Number	Min. Pkgs.	List Price
CTC-0300167	10	\$2.33
CTC-0306121	25	0.46
CTC-0306141	5	3.91
CTC-0875391	1	20.67
CTC-0875397	1	74.40
CTC-0875436	1	16.06
CTC-0875510	1	15.42
CTC-0875550	1	18.40
CTC-0931512	1	7.82
CTC-0931513	1	10.45
CTC-0931515	1	17.35
CTC-0931518	1	26.39
CTC-0931519	1	29.64
CTC-0951783	1	3.14
CTC-0951786	1	3.14
CTC-0951789	1	3.14
CTC-0951796	1	9.07
CTC-0961054	1	55.28
CTC-0961055	1	13.08
CTC-0961566	1	15.42
CTC-0961568	1	15.79

BACK-UP RINGS

Part Number	Min. Pkgs.	List Price
CTC-0961588	1	\$15.79
CTC-0962665	1	18.38
CTC-0963467	1	27.59
CTC-0963964	1	15.42
CTC-0964275	1	9.27
CTC-0964276	1	3.59
CTC-0990172	1	7.66
CTC-0990173	1	4.51
CTC-0990660	1	12.78
CTC-0990681	1	14.02
CTC-0990699	1	18.94
CTC-0993204	1	15.79
CTC-0995399	1	14.49
CTC-0996974	1	10.73
CTC-0996999	1	41.88
CTC-0997000	1	14.28
CTC-0997030	1	3.14
CTC-1011983	1	3.24
CTC-1035754	5	3.91
CTC-1052578	1	15.79
CTC-1052579	1	15.62
CTC-1052583	1	14.45
CTC-1057360	1	15.14
CTC-1057375	1	15.42
CTC-1057393	1	12.45
CTC-1076255	1	18.38
CTC-1076258	1	28.59
CTC-1076262	1	17.08
CTC-1079308	1	14.11
CTC-1140706	1	18.58
CTC-1140711	1	18.38
CTC-1211372	1	18.38
CTC-1211595	1	28.23
CTC-1211603	1	28.29
CTC-1214160	1	13.87
CTC-1220440	1	16.70
CTC-1238614	1	17.34
CTC-1259695	1	22.61
CTC-1261978	1	22.30
CTC-1336716	1	14.80

BACK-UP RINGS

Part Number	Min. Pkgs.	List Price
CTC-1336914	1	\$15.79
CTC-1362445	1	15.10
CTC-1373660	1	64.44
CTC-1400233	3	4.57
CTC-1407652	1	16.06
CTC-1475771	1	52.47
CTC-1505827	1	68.03
CTC-1505842	1	15.14
CTC-1505844	1	11.83
CTC-1522461	1	14.49
CTC-1540731	1	15.79
CTC-1540738	1	18.38
CTC-1540751	1	15.79
CTC-1540763	1	18.38
CTC-1540769	1	48.29
CTC-1559098	1	27.99
CTC-1559193	1	47.07
CTC-1576961	1	55.04
CTC-1577244	1	56.84
CTC-1577245	1	79.85
CTC-1583026	1	7.99
CTC-1583027	1	27.50
CTC-1583028	1	11.74
CTC-1583030	1	110.55
CTC-1583031	1	40.38
CTC-1583032	1	99.27
CTC-1583033	1	52.66
CTC-1607550	1	0.97
CTC-1627209	1	5.72
CTC-1627210	1	43.81
CTC-1663002	1	14.45
CTC-1667726	1	29.34
CTC-1682271	5	2.49
CTC-1704746	1	33.49
CTC-1704748	1	54.13
CTC-1704749	1	28.53
CTC-1754726	1	7.75
CTC-1764889	1	8.38
CTC-1793047	1	34.44
CTC-1793048	1	30.01

CATERPILLAR®

REPLACEMENT PARTS FOR CATERPILLAR® EQUIPMENT

NOTE: CATERPILLAR kit numbers are used as a reference only. We do not imply that these kits are original REPLACEMENT PARTS.

BACK-UP RINGS

Part Number	Min. Pkgs.	List Price
CTC-1843478	1	\$2.72
CTC-1850347	1	3.14
CTC-1850348	1	3.75
CTC-1890215	2	7.88
CTC-1915647	1	43.70
CTC-1920624	1	12.00
CTC-1920676	1	10.47
CTC-1921160	1	12.79
CTC-1921169	1	21.59
CTC-1922048	1	25.04
CTC-1922051	1	18.92
CTC-1922056	1	78.03
CTC-1922057	1	174.55
CTC-1922093	1	2.70
CTC-1930788	1	32.73
CTC-1930791	1	13.64
CTC-1931373	1	36.18
CTC-1931396	1	14.13
CTC-1931806	1	18.94
CTC-1934315	1	14.45
CTC-1948355	1	18.38
CTC-1948365	1	18.38
CTC-1980661	1	32.73
CTC-1982640	1	20.34
CTC-1982643	1	17.44
CTC-1982644	1	14.11
CTC-1989418	1	3.16
CTC-1K7095	4	3.07
CTC-1K7098	5	2.49
CTC-1S0668	6	1.72
CTC-1S0669	5	2.01
CTC-1S0670	8	1.30
CTC-1U1101	2	9.15
CTC-1U1626	1	8.02
CTC-1U1738	2	6.10
CTC-1U1770	2	6.85
CTC-1U3173	2	6.61
CTC-1U3307	2	6.85
CTC-2034021	1	36.18
CTC-2034037	1	32.73

BACK-UP RINGS

Part Number	Min. Pkgs.	List Price
CTC-2047232	1	\$23.28
CTC-2047235	1	7.20
CTC-2057951	1	14.49
CTC-2151942	3	2.81
CTC-2159864	1	56.39
CTC-2168095	1	13.08
CTC-2199051	1	16.52
CTC-2213541	4	3.25
CTC-2332599	10	1.72
CTC-2344487	1	28.36
CTC-2344581	1	3.58
CTC-2344584	1	15.75
CTC-2376124	1	14.07
CTC-2377078	1	7.75
CTC-2378378	1	14.28
CTC-2394394	1	32.89
CTC-2434567	1	33.93
CTC-2443838	6	1.44
CTC-2448826	5	2.07
CTC-2462899	1	36.29
CTC-2508718	1	10.47
CTC-2590654	1	15.79
CTC-2593174	1	5.86
CTC-2593176	1	2.72
CTC-2639883	1	14.28
CTC-2725643	1	41.88
CTC-2725680	1	36.18
CTC-2773386	1	14.49
CTC-2774933	1	14.49
CTC-2788633	1	14.07
CTC-2803114	1	14.49
CTC-2883777	1	3.69
CTC-2970832	1	49.06
CTC-2J0744	2	9.01
CTC-2J3961	3	3.47
CTC-2J4066	5	2.01
CTC-2J7767	3	4.01
CTC-2K2940	2	6.56
CTC-2K2961	3	4.57
CTC-2K3258	2	5.46

BACK-UP RINGS

Part Number	Min. Pkgs.	List Price
CTC-2K4096	3	\$3.69
CTC-2K4473	2	5.92
CTC-2K6830	5	2.49
CTC-2K8256	2	5.78
CTC-2Y8973	6	2.00
CTC-3165388	1	18.08
CTC-3292586	1	0.72
CTC-3292587	1	0.90
CTC-3292588	1	0.97
CTC-3292589	1	1.27
CTC-3292591	1	1.12
CTC-3659197	1	25.67
CTC-3660231	1	50.40
CTC-3706665	1	28.51
CTC-3825752	1	15.14
CTC-3825758	1	3.59
CTC-3825784	1	14.49
CTC-3825814	1	14.28
CTC-3825819	1	3.28
CTC-3825836	1	15.42
CTC-3825841	1	4.70
CTC-3C3239	10	1.40
CTC-3E6783	1	7.52
CTC-3E6784	1	8.23
CTC-3E6795	1	26.99
CTC-3G3747	2	6.70
CTC-3J2688	1	9.84
CTC-3J8466	1	9.63
CTC-3J9742	2	7.35
CTC-3K7219	9	1.20
CTC-3K7863	9	1.14
CTC-3K8692	9	1.20
CTC-3K8699	10	1.25
CTC-3P1204	8	1.30
CTC-3P1205	8	1.20
CTC-3P1206	5	2.31
CTC-3P1207	7	1.58
CTC-4153107	1	45.45
CTC-4153109	1	12.78
CTC-4161319	1	15.79

CATERPILLAR®

REPLACEMENT PARTS FOR CATERPILLAR® EQUIPMENT

NOTE: CATERPILLAR kit numbers are used as a reference only. We do not imply that these kits are original REPLACEMENT PARTS.

BACK-UP RINGS

Part Number	Min. Pkgs.	List Price
CTC-4161275	1	\$45.16
CTC-4161278	5	2.11
CTC-4161286	1	38.44
CTC-4161289	3	2.95
CTC-4161297	1	25.61
CTC-4161300	5	2.11
CTC-4161314	1	71.85
CTC-4173740	1	3.92
CTC-4205767	1	25.48
CTC-4I3615	1	13.13
CTC-4I3627	1	16.93
CTC-4I3631	1	17.08
CTC-4I6330	1	23.31
CTC-4I6442	1	25.63
CTC-4J1151	1	10.12
CTC-4J6557	2	9.15
CTC-4J9218	2	6.46
CTC-4J9219	5	2.00
CTC-4J9220	5	2.49
CTC-4J9221	4	3.37
CTC-4J9223	2	5.92
CTC-4J9224	6	1.72
CTC-4J9225	7	1.58
CTC-4K4759	9	1.14
CTC-4T3107	2	6.88
CTC-4T5072	4	3.61
CTC-4T5929	1	24.91
CTC-5I6063	1	14.45
CTC-5391746	2	5.86
CTC-5J0604	2	5.23
CTC-5J0605	10	1.40
CTC-5J3934	5	2.41
CTC-5J6444	2	8.03
CTC-5J7865	5	2.49
CTC-5K7865	5	2.49
CTC-5P0909	3	4.57
CTC-5P0910	4	3.16
CTC-5P0911	6	1.90
CTC-5P2134	8	1.40
CTC-5P2199	10	1.25

BACK-UP RINGS

Part Number	Min. Pkgs.	List Price
CTC-5P3235	2	\$6.88
CTC-5P7857	9	1.14
CTC-5P7858	9	1.14
CTC-5P8208	10	1.25
CTC-5P8921	4	3.37
CTC-5P9685	8	1.25
CTC-5P9686	8	1.40
CTC-5P9687	8	1.40
CTC-5U6910	1	6.56
CTC-6E0358	25	0.57
CTC-6J1021	10	1.40
CTC-6J1381	6	1.72
CTC-6J2418	8	1.40
CTC-6J2420	7	1.58
CTC-6J5731	7	1.58
CTC-6U3042	3	4.65
CTC-6U4789	1	4.64
CTC-6U5640	3	2.98
CTC-6V1555	7	1.58
CTC-6V1556	8	1.30
CTC-6V1557	10	1.25
CTC-6V1558	7	1.58
CTC-6V1941	8	1.20
CTC-6V3299	8	1.40
CTC-6V3300	8	1.40
CTC-6V3580	1	10.53
CTC-6V3838	9	1.14
CTC-6V3956	9	1.14
CTC-6V5658	1	5.39
CTC-6V6923	6	2.40
CTC-7I7734	1	3.59
CTC-7J4823	1	9.23
CTC-7J6287	10	1.40
CTC-7J6288	8	1.25
CTC-7J8955	2	6.10
CTC-7U2449	25	0.47
CTC-7X4757	2	6.85
CTC-7X4776	25	0.47
CTC-7X4807	2	5.46
CTC-7Y1257	1	13.58

BACK-UP RINGS

Part Number	Min. Pkgs.	List Price
CTC-7Y1884	1	\$16.99
CTC-7Y4217	1	3.14
CTC-7Y4628	1	68.03
CTC-7Y4633	1	15.10
CTC-7Y4669	1	66.30
CTC-7Y4673	1	17.44
CTC-7Y4941	1	18.38
CTC-7Y4945	1	20.34
CTC-7Y5116	1	64.59
CTC-8C9188	1	58.37
CTC-8C9192	1	56.39
CTC-8I1735	1	6.01
CTC-8J0548	2	6.10
CTC-8J1666	2	6.10
CTC-8J1689	3	4.30
CTC-8J1717	2	5.17
CTC-8J2574	6	1.72
CTC-8J3752	4	3.05
CTC-8J4385	2	6.10
CTC-8J8880	1	10.24
CTC-8Q5979	1	4.30
CTC-8T8434	1	5.04
CTC-9J0240	9	1.14
CTC-9J0705	10	0.47
CTC-9J0707	5	2.91
CTC-9J7861	3	3.59
CTC-9T8761	5	3.24
CTC-9X4596	1	10.24
CTC-9X4615	1	10.82
CTC-9X7273	2	6.10
CTC-9X7278	4	3.37
CTC-9X7279	3	3.59
CTC-A04700312	1	12.78
CTC-A04700313	1	14.02
CTC-A04700414	1	47.57
CTC-A04700415	1	13.08
CTC-A04700416	1	13.08
CTC-A04700417	1	38.44
CTC-A04700712	1	12.78

CATERPILLAR®

REPLACEMENT PARTS FOR CATERPILLAR® EQUIPMENT

NOTE: CATERPILLAR kit numbers are used as a reference only. We do not imply that these kits are original REPLACEMENT PARTS.

CUSHION SEALS

Part Number	List Price
CTC-0855864	\$23.36
CTC-0861089	37.60
CTC-0875389	44.47
CTC-0995359	38.51
CTC-0998282	30.92
CTC-0998297	59.78
CTC-1038341	39.65
CTC-1052581	31.46
CTC-1057265	31.76
CTC-1076260	59.78
CTC-1076266	31.08
CTC-1163519	49.37
CTC-1211997	6.31
CTC-1261870	37.26
CTC-1261876	27.57
CTC-1261879	33.24
CTC-1261935	40.31
CTC-1505830	41.86
CTC-1559096	14.71
CTC-1559187	20.42
CTC-1859050	41.09
CTC-1859051	17.81
CTC-1859084	6.31
CTC-1913128	36.80
CTC-1915706	43.09
CTC-1931369	7.68
CTC-2003620	44.47
CTC-2144501	27.57
CTC-2163418	14.59
CTC-2316805	39.61
CTC-2316843	43.09
CTC-2426833	36.71
CTC-2445323	41.86
CTC-2478789	28.51
CTC-2478791	35.95
CTC-2478829	28.83
CTC-2667859	23.43
CTC-2725637	28.62
CTC-2789128	9.62

CUSHION SEALS

Part Number	List Price
CTC-2835971	\$7.00
CTC-2835972	21.21
CTC-2897921	37.05
CTC-3145910	6.31
CTC-3995128	62.58
CTC-4161281	6.76
CTC-4161293	3.61
CTC-4161294	3.22
CTC-4161316	10.31
CTC-518516	38.26
CTC-616784	37.60
CTC-616785	43.34
CTC-616786	36.90
CTC-616787	35.95
CTC-616790	40.76
CTC-616791	41.20
CTC-616921	41.09
CTC-616922	38.51
CTC-616970	31.08
CTC-711352	37.26
CTC-7Y4665	38.26
CTC-D35310900	40.42

COTTER PINS

Part Number	List Price
CTC-8C9016	\$91.88

PISTON CUPS

Part Number	Bore Dia.	List Price
CTC-3H2665	4	\$265.33

PISTON RINGS

Part Number	Bore Dia.	List Price
CTC-2529518	4	\$12.57
CTC-1667430	5 mm	14.54
CTC-3866087	5-1/2	46.97

PISTON U-SEALS

Part Number	Bore Dia.	List Price
CTC-1248364	7	\$64.41

D-RINGS

Part Number	I.D.	List Price
CTC-1P3700	19 mm	\$1.89
CTC-1P3702	25.4 mm	2.13
CTC-1P3703	31.9 mm	2.55
CTC-1P3704	38.2 mm	2.75
CTC-1P3705	44.7 mm	2.94
CTC-1P3706	51.1 mm	3.16
CTC-1P3707	54.2 mm	3.22
CTC-1P3708	57.4 mm	3.41
CTC-1P3709	63.9 mm	3.59

DUST SEALS

Part Number	Rod Dia.	List Price
CTC-1920638	40 mm	\$10.14
CTC-0931430	45 mm	5.88
CTC-2725665	45 mm	5.88
CTC-2774134	45 mm	5.88
CTC-2725645	50 mm	6.68
CTC-2773392	50 mm	6.68
CTC-0931432	55 mm	13.71
CTC-3825771	60 mm	16.45

HEAD SEALS

Part Number	List Price
CTC-8C9016	\$91.88
CTC-1095260	3.36
CTC-1095717	18.79

SWIVEL SEALS

Part Number	List Price
CTC-1597782	\$43.25

REPLACEMENT PARTS FOR CATERPILLAR® EQUIPMENT

NOTE: CATERPILLAR kit numbers are used as a reference only. We do not imply that these kits are original REPLACEMENT PARTS.

OVERSIZED HEAD SEALS

Part Number	Bore Dia.	List Price
CTC-8C4889	2-1/2	\$11.82
CTC-8T8367	3	11.96
CTC-8T8367	3-3/4	11.96
CTC-8T8373	4-3/4	15.33
CTC-8T8374	5	15.63
CTC-8T8376	5-1/2	16.20
CTC-8T8377	6	16.75
CTC-8T8379	6-1/2	17.29
CTC-8T8380	7	17.87
CTC-8T8381	7-1/4	18.20
CTC-8C0553	7-1/2	16.77
CTC-8C4892	7-3/4	18.72
CTC-8T8382	8-1/4	19.17
CTC-8C4893	8-1/2	80.05
CTC-8C4896	10-1/4	24.38
CTC-8C4897	10-1/2	29.02
CTC-8C4898	11-1/2	39.61

OIL SEALS

Part Number	List Price
CTC-1J2150	\$31.82
CTC-4F4584	7.65
CTC-4N1584	10.19

SHIMS

Part Number	List Price
CTC-0964441	\$17.98
CTC-0964477	16.76
CTC-0965741	14.71
CTC-1076265	14.71

RETAINER RINGS

Part Number	List Price
CTC-0950930	\$3.06
CTC-1362444	10.50
CTC-1H8397	4.85
CTC-1L4775	4.11
CTC-2D0830	10.56
CTC-7M2275	13.19
CTC-7Y0976	9.33
CTC-7Y5119	23.73
CTC-8H8024	8.90
CTC-9H5604	8.98
CTC-9H7668	1.72

ROD BUSHINGS

Part Number	Rod Dia.	List Price
CTC-1890593	1-1/4	\$15.68
CTC-2782248	1-1/2	17.55
CTC-1934637	3-1/2	109.26
CTC-9X3613	6	89.39
CTC-8C9102	6-1/2	73.17
CTC-1809932	7	135.98
CTC-8T7692	7	427.72
CTC-6E0173	7-1/4	56.06
CTC-1U4626	11	1146.69
CTC-5764153	30 mm	8.93
CTC-2032343	35 mm	11.32
CTC-2965140	35 mm	10.43
CTC-5767333	35 mm	9.90
CTC-3108780	40 mm	11.58
CTC-3232465	40 mm	13.95
CTC-2378377	45 mm	21.38
CTC-2965141	45 mm	11.84
CTC-2218270	50 mm	19.72
CTC-2774132	50 mm	19.72
CTC-3232467	50 mm	27.13
CTC-3512184	50 mm	24.36
CTC-1140752	55 mm	23.29
CTC-2725641	55 mm	17.41
CTC-2725664	55 mm	23.29
CTC-3825813	55 mm	23.29
CTC-1140751	60 mm	30.71
CTC-3232470	60 mm	34.10
CTC-3825783	60 mm	23.67
CTC-1140754	65 mm	32.58

ROD BUSHINGS

Part Number	Rod Dia.	List Price
CTC-1460742	65 mm	\$17.42
CTC-3232474	65 mm	59.85
CTC-1140753	70 mm	37.46
CTC-3904158	70 mm	31.10
CTC-3232476	70 mm	41.07
CTC-3825751	70 mm	37.46
CTC-1140750	75 mm	39.31
CTC-1148836	75 mm	43.17
CTC-3937931	75 mm	34.41
CTC-1140755	80 mm	43.12
CTC-1505839	80 mm	39.67
CTC-3852900	80 mm	39.67
CTC-0931824	85 mm	47.03
CTC-0964402	85 mm	44.04
CTC-1140756	85 mm	47.03
CTC-3852934	85 mm	44.04
CTC-1052575	90 mm	42.49
CTC-1140758	90 mm	54.25
CTC-3512182	90 mm	67.91
CTC-0964430	95 mm	47.85
CTC-1289260	95 mm	56.30
CTC-3852931	95 mm	46.81
CTC-6C6093	95 mm	60.58
CTC-7Y4625	95 mm	56.30
CTC-0931826	100 mm	66.11
CTC-0965625	100 mm	65.58
CTC-1140757	100 mm	66.11
CTC-0995572	105 mm	56.41
CTC-1140760	105 mm	72.04
CTC-1140761	110 mm	114.55
CTC-1140762	110 mm	107.24
CTC-1915644	115 mm	102.23
CTC-1140763	130 mm	109.42
CTC-1289261	140 mm	137.28
CTC-1559100	145 mm	144.10
CTC-1289262	150 mm	138.36

CATERPILLAR®

REPLACEMENT PARTS FOR CATERPILLAR® EQUIPMENT

NOTE: CATERPILLAR kit numbers are used as a reference only. We do not imply that these kits are original REPLACEMENT PARTS.

O-RINGS

Part Number	Min. Pkgs.	List Price
CTC-0032770	1	\$5.55
CTC-0038137	50	0.16
CTC-0041963	20	0.48
CTC-0041964	20	0.63
CTC-0058592	50	0.35
CTC-0058593	20	0.40
CTC-0068350	1	6.62
CTC-0068352	10	1.05
CTC-0082103	50	0.37
CTC-0092061	3	3.25
CTC-0304605	50	0.14
CTC-0304606	10	1.16
CTC-0314392	5	3.21
CTC-0329714	20	0.75
CTC-0329882	20	0.39
CTC-0335853	10	1.44
CTC-0335879	1	0.54
CTC-0336027	10	2.45
CTC-0336031	2	5.88
CTC-0336032	15	0.89
CTC-0336033	20	0.54
CTC-0336034	10	1.26
CTC-0336038	3	4.08
CTC-0336039	15	1.04
CTC-0336041	10	2.00
CTC-0336042	10	1.53
CTC-0336044	15	0.70
CTC-0350273	2	6.05
CTC-0546849	5	9.93
CTC-0617538	30	0.48
CTC-0617539	5	1.64
CTC-0617540	3	3.11
CTC-0618341	3	3.95
CTC-0618561	2	4.85
CTC-0618639	15	0.89
CTC-0619455	3	3.93
CTC-0619456	2	4.67
CTC-0619457	2	5.41
CTC-0619458	5	2.33
CTC-0619729	1	5.63

O-RINGS

Part Number	Min. Pkgs.	List Price
CTC-0689002	5	\$2.19
CTC-0773241	50	0.16
CTC-0775843	20	0.55
CTC-0777539	10	1.00
CTC-0815391	5	3.25
CTC-0857537	50	0.18
CTC-0857538	50	0.40
CTC-0857539	50	0.37
CTC-0857540	20	0.66
CTC-0858219	1	5.55
CTC-0903093	3	3.71
CTC-0922304	25	0.50
CTC-0949672	20	0.91
CTC-0951508	100	0.13
CTC-0951509	100	0.13
CTC-0951510	100	0.13
CTC-0951511	100	0.16
CTC-0951512	100	0.16
CTC-0951513	100	0.16
CTC-0951514	100	0.16
CTC-0951515	100	0.13
CTC-0951516	100	0.75
CTC-0951517	100	0.16
CTC-0951518	100	1.05
CTC-0951519	100	0.16
CTC-0951521	100	1.32
CTC-0951522	100	0.17
CTC-0951524	100	0.18
CTC-0951525	25	1.60
CTC-0951526	25	1.70
CTC-0951527	25	0.50
CTC-0951528	25	0.63
CTC-0951530	20	0.66
CTC-0951531	20	0.66
CTC-0951532	20	0.67
CTC-0951533	20	0.67
CTC-0951534	20	0.82
CTC-0951536	20	3.25
CTC-0951537	20	0.88
CTC-0951538	20	0.88

O-RINGS

Part Number	Min. Pkgs.	List Price
CTC-0951539	20	\$1.07
CTC-0951540	20	1.07
CTC-0951541	20	0.91
CTC-0951543	10	1.20
CTC-0951544	10	1.20
CTC-0951545	10	1.23
CTC-0951546	5	3.23
CTC-0951547	10	1.27
CTC-0951549	2	4.63
CTC-0951550	2	5.89
CTC-0951551	2	5.92
CTC-0951552	2	6.32
CTC-0951553	2	6.47
CTC-0951554	2	6.71
CTC-0951555	2	6.84
CTC-0951556	2	7.08
CTC-0951557	2	7.22
CTC-0951558	2	9.39
CTC-0951559	2	9.46
CTC-0951560	2	9.55
CTC-0951561	2	9.89
CTC-0951562	2	9.94
CTC-0951563	2	10.24
CTC-0951564	2	10.43
CTC-0951565	1	19.69
CTC-0951566	1	20.20
CTC-0951567	1	22.67
CTC-0951568	1	38.82
CTC-0951569	1	40.85
CTC-0951571	100	0.10
CTC-0951572	100	0.16
CTC-0951573	100	0.16
CTC-0951574	50	0.31
CTC-0951575	50	0.33
CTC-0951576	50	0.33
CTC-0951577	25	0.54
CTC-0951578	50	0.35
CTC-0951579	25	0.55
CTC-0951580	25	0.55
CTC-0951581	20	0.75

CATERPILLAR®

REPLACEMENT PARTS FOR CATERPILLAR® EQUIPMENT

NOTE: CATERPILLAR part numbers are used as a reference only. We do not imply that these kits are original REPLACEMENT PARTS.

O-RINGS			O-RINGS			O-RINGS		
Part Number	Min. Pkgs.	List Price	Part Number	Min. Pkgs.	List Price	Part Number	Min. Pkgs.	List Price
CTC-0951583	20	\$0.76	CTC-0951631	2	\$9.74	CTC-0951698	20	\$0.74
CTC-0951584	20	0.76	CTC-0951632	2	9.79	CTC-0951700	20	0.90
CTC-0951585	20	0.78	CTC-0951633	2	10.01	CTC-0951704	10	2.10
CTC-0951587	20	1.03	CTC-0951634	2	10.21	CTC-0951705	10	2.18
CTC-0951589	20	0.63	CTC-0951635	2	12.51	CTC-0951706	5	2.50
CTC-0951590	20	1.05	CTC-0951636	1	22.53	CTC-0951707	5	2.49
CTC-0951591	20	0.76	CTC-0951637	1	25.24	CTC-0951708	5	2.51
CTC-0951592	20	0.99	CTC-0951639	1	28.11	CTC-0951709	5	9.70
CTC-0951593	20	0.99	CTC-0951640	1	29.29	CTC-0951710	5	2.43
CTC-0951594	10	1.29	CTC-0951641	1	30.04	CTC-0951711	5	3.15
CTC-0951595	10	1.29	CTC-0951642	1	57.38	CTC-0951712	5	3.18
CTC-0951597	10	1.65	CTC-0951657	25	0.50	CTC-0951713	5	3.25
CTC-0951598	10	1.70	CTC-0951658	20	0.66	CTC-0951714	5	3.55
CTC-0951599	10	1.72	CTC-0951659	20	0.87	CTC-0951715	5	3.62
CTC-0951600	10	1.82	CTC-0951662	10	4.38	CTC-0951716	5	3.50
CTC-0951601	10	1.82	CTC-0951663	10	1.38	CTC-0951717	5	3.74
CTC-0951602	10	1.85	CTC-0951671	5	3.25	CTC-0951718	5	4.06
CTC-0951603	10	1.93	CTC-0951673	5	2.86	CTC-0951719	5	4.12
CTC-0951604	10	1.95	CTC-0951674	5	3.50	CTC-0951720	5	4.14
CTC-0951605	10	1.98	CTC-0951675	5	3.71	CTC-0951721	2	4.86
CTC-0951606	10	2.06	CTC-0951676	5	3.88	CTC-0951722	2	8.69
CTC-0951608	5	2.21	CTC-0951678	5	13.24	CTC-0951723	2	4.98
CTC-0951609	5	2.25	CTC-0951679	2	2.39	CTC-0951724	2	10.64
CTC-0951610	5	2.88	CTC-0951680	2	2.88	CTC-0951725	2	12.66
CTC-0951611	5	2.95	CTC-0951681	2	4.78	CTC-0951726	2	13.21
CTC-0951612	5	3.25	CTC-0951682	2	7.76	CTC-0951727	1	15.99
CTC-0951613	5	2.96	CTC-0951683	2	7.83	CTC-0951728	1	16.14
CTC-0951615	5	3.39	CTC-0951684	2	8.05	CTC-0951729	1	16.43
CTC-0951616	5	3.47	CTC-0951685	2	20.37	CTC-0951730	1	18.33
CTC-0951617	5	3.48	CTC-0951686	2	11.10	CTC-0951731	1	18.72
CTC-0951618	2	4.61	CTC-0951687	2	11.18	CTC-0951732	1	24.40
CTC-0951621	2	5.85	CTC-0951688	2	11.31	CTC-0951733	1	28.96
CTC-0951623	2	6.54	CTC-0951689	2	13.19	CTC-0951734	1	34.40
CTC-0951624	2	6.69	CTC-0951690	2	13.42	CTC-0951735	1	35.63
CTC-0951625	2	7.59	CTC-0951691	2	13.70	CTC-0951736	1	41.10
CTC-0951626	2	7.08	CTC-0951692	1	13.90	CTC-0951737	1	44.15
CTC-0951627	2	7.22	CTC-0951693	1	16.01	CTC-0951738	1	46.78
CTC-0951628	2	9.41	CTC-0951694	1	18.70	CTC-0951739	1	57.71
CTC-0951629	2	9.49	CTC-0951695	1	19.90	CTC-0951750	50	0.15
CTC-0951630	2	9.62	CTC-0951696	25	0.54	CTC-0951751	50	0.18

CATERPILLAR®

REPLACEMENT PARTS FOR CATERPILLAR® EQUIPMENT

NOTE: CATERPILLAR part numbers are used as a reference only. We do not imply that these kits are original REPLACEMENT PARTS.

O-RINGS

Part Number	Min. Pkgs.	List Price
CTC-0951753	20	\$0.98
CTC-0958859	2	9.24
CTC-0960034	25	0.47
CTC-0960035	1	30.46
CTC-0960037	1	88.49
CTC-0960071	2	9.74
CTC-0960121	5	3.29
CTC-0963021	50	0.14
CTC-0963044	50	0.40
CTC-0963944	1	14.66
CTC-0964921	2	7.88
CTC-0965382	2	9.79
CTC-0965572	10	1.94
CTC-0966100	20	0.45
CTC-0967041	2	9.23
CTC-0975203	50	0.09
CTC-0975204	50	0.16
CTC-0975205	50	0.16
CTC-0990187	20	0.39
CTC-0994780	10	1.49
CTC-0994846	1	37.19
CTC-0998232	50	0.37
CTC-1020889	1	9.94
CTC-1038254	10	1.00
CTC-1038255	5	2.12
CTC-1044948	5	3.24
CTC-1059843	50	0.14
CTC-1073114	1	25.51
CTC-1073117	10	1.73
CTC-1074057	20	0.63
CTC-1076259	5	4.28
CTC-1077642	20	0.62
CTC-1085803	10	1.36
CTC-1085806	2	7.50
CTC-1092332	1	9.33
CTC-1092333	14	1.06
CTC-1093203	15	1.44
CTC-1093205	3	3.25
CTC-1093206	10	1.48
CTC-1094791	5	3.55

O-RINGS

Part Number	Min. Pkgs.	List Price
CTC-1094792	20	\$0.99
CTC-1095694	1	1.13
CTC-1095698	10	2.17
CTC-1095700	5	4.01
CTC-1095702	1	11.85
CTC-1095704	5	3.89
CTC-1097411	1	37.23
CTC-1097412	20	0.63
CTC-1099685	10	1.35
CTC-1104742	1	2.03
CTC-1117052	5	4.07
CTC-1120033	100	0.07
CTC-1120034	100	0.16
CTC-1123102	15	0.89
CTC-1123540	2	4.63
CTC-1126920	1	14.25
CTC-1126921	10	1.75
CTC-1132073	1	31.90
CTC-1135304	1	8.41
CTC-1136303	50	0.15
CTC-1137820	20	1.11
CTC-1137822	10	2.18
CTC-1149275	5	2.19
CTC-1163682	10	1.74
CTC-1171266	10	1.70
CTC-1171495	20	0.91
CTC-1177273	20	0.63
CTC-1177282	5	4.08
CTC-1178801	1	9.04
CTC-1178803	5	2.08
CTC-1182720	5	2.66
CTC-1183122	5	2.41
CTC-1183125	5	5.02
CTC-1183128	5	3.46
CTC-1183131	10	1.94
CTC-1185068	50	0.24
CTC-1188586	1	10.92
CTC-1197843	20	0.91
CTC-1197844	20	1.25
CTC-1197845	5	4.60

O-RINGS

Part Number	Min. Pkgs.	List Price
CTC-1199443	8	\$1.20
CTC-1217687	20	0.87
CTC-1218094	5	2.46
CTC-1218112	100	0.16
CTC-1218117	10	1.10
CTC-1228352	50	0.18
CTC-1229250	1	1.82
CTC-1229251	5	3.29
CTC-1232341	100	0.13
CTC-1232342	100	0.32
CTC-1232343	10	1.36
CTC-1241858	2	4.67
CTC-1241859	2	7.49
CTC-1249346	50	0.29
CTC-1251372	10	1.32
CTC-1254194	1	6.28
CTC-1259701	5	2.45
CTC-1259794	1	10.71
CTC-1264002	1	10.69
CTC-1264003	1	7.44
CTC-1266514	3	3.70
CTC-1266515	3	3.70
CTC-1266516	1	3.72
CTC-1291609	3	3.74
CTC-1300229	1	12.17
CTC-1313715	20	1.06
CTC-1313716	5	3.43
CTC-1313718	2	8.05
CTC-1323056	2	9.46
CTC-1324240	5	1.93
CTC-1334771	50	0.44
CTC-1345691	2	4.61
CTC-1352652	15	1.05
CTC-1356950	1	40.80
CTC-1357933	1	9.60
CTC-1357935	5	2.66
CTC-1357937	5	5.78
CTC-1362942	1	19.77
CTC-1367226	20	0.65
CTC-1367227	8	1.95

CATERPILLAR®

REPLACEMENT PARTS FOR CATERPILLAR® EQUIPMENT

NOTE: CATERPILLAR part numbers are used as a reference only. We do not imply that these kits are original REPLACEMENT PARTS.

O-RINGS			O-RINGS			O-RINGS		
Part Number	Min. Pkgs.	List Price	Part Number	Min. Pkgs.	List Price	Part Number	Min. Pkgs.	List Price
CTC-1374350	1	\$78.38	CTC-1708778	5	\$2.81	CTC-1931736	1	\$12.43
CTC-1376667	10	1.48	CTC-1708794	5	3.15	CTC-1931793	2	7.59
CTC-1378101	1	1.18	CTC-1708796	5	2.50	CTC-1931809	5	2.81
CTC-1400226	1	3.66	CTC-1708827	5	2.51	CTC-1934314	2	6.32
CTC-1400240	1	6.28	CTC-1738277	5	1.72	CTC-1934316	5	8.65
CTC-1407663	2	12.51	CTC-1743357	1	64.71	CTC-1949584	2	4.85
CTC-1410749	2	5.51	CTC-1753135	15	0.89	CTC-1951721	2	4.86
CTC-1411774	5	4.74	CTC-1755077	1	16.65	CTC-1952139	50	0.13
CTC-1434637	5	5.16	CTC-1757894	20	0.63	CTC-1952862	20	1.03
CTC-1447338	2	3.18	CTC-1757895	20	0.70	CTC-1989428	10	1.29
CTC-1490231	10	1.40	CTC-1757896	20	0.78	CTC-1990596	5	3.06
CTC-1522939	10	2.45	CTC-1757897	20	0.83	CTC-1990598	5	8.65
CTC-1531157	2	6.89	CTC-1757898	20	0.92	CTC-1991139	5	2.41
CTC-1534906	10	1.53	CTC-1757900	20	0.97	CTC-1H0474	10	1.42
CTC-1534907	15	1.04	CTC-1757901	1	3.71	CTC-1H1023	50	0.07
CTC-1548741	1	27.26	CTC-1757902	10	1.30	CTC-1H5728	20	0.67
CTC-1565198	1	26.63	CTC-1757903	5	3.07	CTC-1H6227	10	1.05
CTC-1572238	20	0.75	CTC-1757904	10	1.67	CTC-1H7339	20	0.78
CTC-1598802	1	77.12	CTC-1757905	10	1.72	CTC-1H8128	20	0.96
CTC-1600526	20	0.92	CTC-1761378	1	12.25	CTC-1H8171	50	0.16
CTC-1614102	1	4.36	CTC-1776911	1	47.23	CTC-1H8278	5	3.53
CTC-1616149	50	0.15	CTC-1799013	10	2.19	CTC-1H8720	20	0.63
CTC-1618068	1	14.24	CTC-1802391	1	12.70	CTC-1H9696	20	0.72
CTC-1618069	1	15.15	CTC-1808424	6	1.25	CTC-1J2176	5	3.59
CTC-1629997	1	4.08	CTC-1808722	50	0.46	CTC-1J2859	10	1.72
CTC-1645165	2	8.69	CTC-1871979	15	1.42	CTC-1J2890	1	5.42
CTC-1654852	1	36.65	CTC-1878567	10	1.29	CTC-1J9671	50	0.26
CTC-1654854	3	2.33	CTC-1882199	1	2.60	CTC-1M0556	5	4.85
CTC-1658066	5	2.61	CTC-1903010	5	4.08	CTC-1M1077	50	0.16
CTC-1659448	10	1.78	CTC-1903011	5	2.90	CTC-1M3548	5	4.35
CTC-1697442	1	9.04	CTC-1920626	5	9.70	CTC-1M9015	1	5.42
CTC-1704821	1	11.29	CTC-1920627	5	3.06	CTC-1P9005	5	2.02
CTC-1704823	1	18.39	CTC-1920629	5	2.51	CTC-1R5318	20	0.54
CTC-1704824	1	36.26	CTC-1920680	5	2.49	CTC-1S7408	10	1.72
CTC-1704825	1	11.47	CTC-1927507	100	0.13	CTC-1S8947	50	0.13
CTC-1705715	2	8.10	CTC-1927508	25	0.53	CTC-1T0132	1	4.36
CTC-1705941	1	28.33	CTC-1927509	50	0.30	CTC-1U3174	1	8.62
CTC-1707098	1	8.20	CTC-1927510	100	0.13	CTC-2034023	2	6.10
CTC-1707106	1	22.53	CTC-1927514	100	0.28	CTC-2034024	5	2.43
CTC-1708775	5	3.25	CTC-1927515	100	0.16	CTC-2034039	2	5.85

CATERPILLAR®

REPLACEMENT PARTS FOR CATERPILLAR® EQUIPMENT

NOTE: CATERPILLAR part numbers are used as a reference only. We do not imply that these kits are original REPLACEMENT PARTS.

O-RINGS

Part Number	Min. Pkgs.	List Price
CTC-2034040	5	\$2.41
CTC-2034086	2	6.31
CTC-2034087	5	8.65
CTC-2047234	5	3.47
CTC-2047236	10	1.67
CTC-2057950	5	3.25
CTC-2057952	5	3.55
CTC-2074849	10	0.94
CTC-2147568	1	5.81
CTC-2167244	1	0.14
CTC-2167641	5	3.15
CTC-2199052	5	3.18
CTC-2199057	5	3.15
CTC-2287093	1	3.36
CTC-2304560	1	6.92
CTC-2332597	10	1.40
CTC-2332601	10	1.78
CTC-2332603	5	2.49
CTC-2424313	10	0.59
CTC-2434572	1	11.37
CTC-2487172	1	10.47
CTC-2487173	1	5.68
CTC-2487174	1	7.73
CTC-2487175	1	7.21
CTC-2487176	1	7.65
CTC-2487177	1	31.90
CTC-2487178	1	10.86
CTC-2487179	1	7.15
CTC-2639891	50	0.15
CTC-2667959	2	10.01
CTC-2667960	2	12.51
CTC-2667961	2	13.21
CTC-2667962	1	18.33
CTC-2667966	5	3.74
CTC-2667967	5	4.12
CTC-2667968	2	4.86
CTC-2667969	2	4.98
CTC-2668026	5	4.14
CTC-2742500	5	3.74
CTC-2742501	2	9.79

O-RINGS

Part Number	Min. Pkgs.	List Price
CTC-2742502	1	\$8.27
CTC-2A3676	5	5.17
CTC-2D0598	20	0.37
CTC-2D1692	1	3.92
CTC-2D6533	1	5.66
CTC-2D8009	5	2.10
CTC-2D8363	1	17.48
CTC-2D8364	1	17.78
CTC-2D9572	1	4.36
CTC-2H2665	20	0.96
CTC-2H3927	20	0.44
CTC-2H3928	10	1.18
CTC-2H3931	20	0.88
CTC-2H3932	50	0.24
CTC-2H3933	20	0.97
CTC-2H3934	20	0.97
CTC-2H3935	10	1.85
CTC-2H4145	20	0.92
CTC-2H6124	5	3.66
CTC-2H6184	20	0.83
CTC-2H6338	20	0.88
CTC-2H6340	1	6.82
CTC-2H9247	10	1.72
CTC-2J8163	10	1.53
CTC-2K2939	5	2.88
CTC-2K4472	5	2.62
CTC-2K8198	50	0.24
CTC-2K8257	5	2.25
CTC-2M0340	1	4.01
CTC-2M1309	1	7.59
CTC-2M3340	1	10.49
CTC-2M4453	50	0.13
CTC-2M9780	50	0.30
CTC-2N3350	3	4.30
CTC-2N5749	5	2.08
CTC-2P1692	5	1.72
CTC-2R0039	10	1.64
CTC-2S4078	20	0.60
CTC-2S8439	5	2.10
CTC-2T2691	20	1.07

O-RINGS

Part Number	Min. Pkgs.	List Price
CTC-2T2692	15	\$0.90
CTC-2T2695	5	2.64
CTC-2U5338	100	0.16
CTC-2U5339	10	1.72
CTC-2U5341	5	2.45
CTC-2U5343	5	2.86
CTC-2U5354	1	17.55
CTC-2U5355	1	19.77
CTC-2Y2271	50	0.14
CTC-2Y2272	50	0.14
CTC-2Y2347	50	0.39
CTC-3102184	10	2.23
CTC-3102186	10	2.01
CTC-3102187	5	3.06
CTC-3102189	5	3.07
CTC-3162516	5	3.59
CTC-3162517	5	3.77
CTC-3202510	1	69.45
CTC-3206169	1	10.84
CTC-328970	15	0.68
CTC-3312487	5	3.07
CTC-3409308	1	3.29
CTC-3409311	1	16.36
CTC-3409312	1	20.79
CTC-3409313	1	10.69
CTC-3409314	1	9.74
CTC-3409315	1	9.85
CTC-3409322	1	5.11
CTC-3409323	1	10.26
CTC-3495880	50	0.09
CTC-3512185	1	43.83
CTC-3512187	1	6.28
CTC-3706664	1	7.23
CTC-3825765	20	0.46
CTC-3825856	50	0.30
CTC-3825859	50	0.14
CTC-3914635	50	0.40
CTC-3A9280	10	4.38
CTC-3B8453	50	0.30
CTC-3C5546	10	1.89

CATERPILLAR®

REPLACEMENT PARTS FOR CATERPILLAR® EQUIPMENT

NOTE: CATERPILLAR part numbers are used as a reference only. We do not imply that these kits are original REPLACEMENT PARTS.

O-RINGS			O-RINGS			O-RINGS		
Part Number	Min. Pkgs.	List Price	Part Number	Min. Pkgs.	List Price	Part Number	Min. Pkgs.	List Price
CTC-3D2824	50	\$0.37	CTC-3F1547	5	\$3.66	CTC-4D6548	1	\$1.90
CTC-3D2895	3	3.30	CTC-3F5792	10	1.72	CTC-4D6695	1	6.99
CTC-3D2898	20	0.39	CTC-3G1209	50	0.14	CTC-4D9986	50	0.14
CTC-3D2992	50	0.16	CTC-3H0107	50	0.16	CTC-4F4097	20	0.88
CTC-3D4004	5	1.71	CTC-3H0442	50	0.03	CTC-4F5607	20	0.39
CTC-3D4245	50	0.14	CTC-3H1461	20	0.30	CTC-4F7387	10	1.72
CTC-3D7805	20	0.48	CTC-3H2652	20	0.78	CTC-4F7388	1	5.16
CTC-3D8241	1	17.49	CTC-3H3385	50	0.13	CTC-4F7389	20	0.44
CTC-3E4296	10	1.34	CTC-3H4970	50	0.24	CTC-4F7390	20	0.74
CTC-3E4297	1	14.71	CTC-3J0634	5	3.22	CTC-4F7391	50	0.28
CTC-3E4298	50	0.30	CTC-3J1907	50	0.26	CTC-4F7507	5	2.85
CTC-3E4299	20	0.87	CTC-3J7354	50	0.26	CTC-4F7952	20	0.35
CTC-3E6703	10	2.49	CTC-3J9015	20	0.31	CTC-4F8824	20	0.55
CTC-3E6704	1	3.66	CTC-3K0360	50	0.29	CTC-4F8946	50	0.24
CTC-3E6705	2	5.00	CTC-3K0715	10	1.14	CTC-4F9029	50	0.28
CTC-3E6708	20	0.75	CTC-3K4025	20	0.65	CTC-4F9653	20	0.63
CTC-3E6710	1	6.82	CTC-3P0439	20	1.18	CTC-4H6520	5	3.15
CTC-3E6714	10	8.81	CTC-3P0648	2	4.97	CTC-4H6730	1	15.29
CTC-3E6720	1	3.38	CTC-3P0649	1	9.33	CTC-4H9105	10	1.30
CTC-3E6723	10	2.19	CTC-3P0650	1	8.41	CTC-4J0519	20	0.54
CTC-3E6725	5	2.77	CTC-3P0651	1	10.54	CTC-4J0520	20	0.57
CTC-3E6730	20	1.22	CTC-3P0653	1	12.17	CTC-4J0521	20	0.63
CTC-3E6732	10	1.59	CTC-3P0654	1	16.25	CTC-4J0522	20	0.70
CTC-3E6734	1	5.03	CTC-3P0655	1	13.05	CTC-4J0523	20	0.87
CTC-3E6735	10	1.89	CTC-3P0656	1	11.52	CTC-4J0524	20	0.89
CTC-3E6736	5	3.25	CTC-3P0657	1	10.99	CTC-4J0525	20	0.91
CTC-3E6744	1	7.06	CTC-3P0658	1	55.26	CTC-4J0526	20	1.03
CTC-3E6747	5	1.82	CTC-3P1155	5	2.08	CTC-4J0527	20	1.06
CTC-3E6749	5	1.69	CTC-3S1223	5	2.88	CTC-4J0528	20	1.11
CTC-3E6751	1	33.20	CTC-3S6538	20	0.44	CTC-4J0537	20	1.06
CTC-3E6760	50	0.14	CTC-3S9233	50	0.16	CTC-4J1253	1	10.49
CTC-3E6761	25	0.46	CTC-3T7528	100	0.13	CTC-4J4577	50	0.14
CTC-3E6766	2	5.12	CTC-4161277	10	2.01	CTC-4J5140	50	0.37
CTC-3E6771	20	0.67	CTC-4161288	10	2.49	CTC-4J5267	50	0.40
CTC-3E6773	2	8.25	CTC-4161299	10	1.89	CTC-4J5268	50	0.18
CTC-3E6785	1	9.74	CTC-4D1577	1	10.06	CTC-4J5351	50	0.18
CTC-3E6788	5	2.33	CTC-4D2297	50	0.09	CTC-4J5477	50	0.14
CTC-3E6790	4	2.39	CTC-4D3107	20	0.31	CTC-4J5573	20	0.82
CTC-3E6794	1	5.42	CTC-4D4503	1	7.42	CTC-4J5733	50	0.18
CTC-3E6799	2	8.58	CTC-4D4508	1	8.31	CTC-4J7533	50	0.18

CATERPILLAR®

REPLACEMENT PARTS FOR CATERPILLAR® EQUIPMENT

NOTE: CATERPILLAR part numbers are used as a reference only. We do not imply that these kits are original REPLACEMENT PARTS.

O-RINGS

Part Number	Min. Pkgs.	List Price
CTC-4J8996	50	\$0.39
CTC-4J8997	50	0.46
CTC-4J8998	20	0.63
CTC-4K1388	20	0.44
CTC-4K2039	50	0.07
CTC-4K4986	50	0.37
CTC-4K6804	1	4.01
CTC-4L7711	20	0.37
CTC-4L9564	10	1.30
CTC-4M0189	10	1.14
CTC-4M0661	1	7.88
CTC-4M0737	1	10.59
CTC-4N1230	1	4.52
CTC-4S5879	1	8.57
CTC-4T4128	1	10.49
CTC-4W0435	5	2.06
CTC-4W2754	1	3.71
CTC-4W4616	1	2.06
CTC-4W7356	3	3.85
CTC-5391745	5	5.30
CTC-5D1071	1	10.49
CTC-5D1597	10	2.33
CTC-5D5957	1	9.33
CTC-5D5959	1	39.15
CTC-5D6428	1	17.87
CTC-5D6539	50	0.24
CTC-5D6543	20	0.24
CTC-5E8767	5	1.86
CTC-5E8768	5	2.19
CTC-5E8769	3	5.00
CTC-5E8770	2	4.63
CTC-5E9816	15	1.06
CTC-5F0149	10	1.53
CTC-5F1678	50	0.22
CTC-5F3092	10	1.14
CTC-5F3106	10	1.67
CTC-5F3144	10	1.58
CTC-5F3999	10	1.67
CTC-5F6222	1	4.52
CTC-5F7054	50	0.14
CTC-5F8000	20	0.52

O-RINGS

Part Number	Min. Pkgs.	List Price
CTC-5F9144	50	\$0.07
CTC-5F9657	20	0.31
CTC-5H2767	50	0.16
CTC-5H2824	5	4.95
CTC-5H3252	5	2.19
CTC-5H4909	1	4.36
CTC-5H5672	10	1.93
CTC-5H6005	50	0.09
CTC-5H6733	5	2.85
CTC-5H6734	10	1.50
CTC-5H7370	20	0.39
CTC-5H8038	50	0.30
CTC-5H8624	10	1.58
CTC-5H8848	20	0.70
CTC-5H9524	5	2.80
CTC-5I8417	1	6.67
CTC-5I8426	1	5.46
CTC-5I8623	1	6.18
CTC-5J2383	1	7.07
CTC-5J2974	50	0.18
CTC-5J3886	5	1.93
CTC-5K0216	20	0.67
CTC-5K0227	20	0.63
CTC-5K1787	5	3.66
CTC-5K5221	20	0.40
CTC-5K5959	20	0.67
CTC-5K6526	20	0.48
CTC-5K9090	50	0.35
CTC-5L2727	20	0.44
CTC-5L4758	50	0.09
CTC-5L4759	50	0.14
CTC-5L5032	5	3.53
CTC-5M2057	20	0.28
CTC-5M5860	20	0.39
CTC-5M6200	1	12.24
CTC-5M6509	20	0.63
CTC-5M7142	5	3.66
CTC-5M7423	20	0.39
CTC-5P0840	8	1.22
CTC-5P0908	20	0.65
CTC-5P1480	2	6.59

O-RINGS

Part Number	Min. Pkgs.	List Price
CTC-5P1979	5	\$2.62
CTC-5P2235	1	9.60
CTC-5P2236	1	12.54
CTC-5P2545	1	5.25
CTC-5P2568	20	0.37
CTC-5P2569	10	1.50
CTC-5P2931	20	0.83
CTC-5P3108	50	0.30
CTC-5P3620	5	3.06
CTC-5P3863	20	0.83
CTC-5P3864	5	2.35
CTC-5P3881	20	0.88
CTC-5P3944	50	0.16
CTC-5P4268	3	2.83
CTC-5P4326	5	2.02
CTC-5P4342	1	11.35
CTC-5P4889	2	6.59
CTC-5P4892	2	5.16
CTC-5P4933	50	0.15
CTC-5P5397	5	2.70
CTC-5P5598	7	1.32
CTC-5P5600	15	1.07
CTC-5P5601	10	1.20
CTC-5P5756	3	3.25
CTC-5P5757	2	3.55
CTC-5P5846	1	6.71
CTC-5P5874	50	0.15
CTC-5P6300	50	0.30
CTC-5P6302	10	1.89
CTC-5P6718	5	1.50
CTC-5P7530	10	1.64
CTC-5P7593	1	6.00
CTC-5P7701	4	4.30
CTC-5P7818	1	17.25
CTC-5P8065	5	1.96
CTC-5P8066	1	2.68
CTC-5P8068	2	6.33
CTC-5P8118	4	2.20
CTC-5P8210	3	2.51
CTC-5P8211	3	4.42
CTC-5P8215	20	0.31

CATERPILLAR®

REPLACEMENT PARTS FOR CATERPILLAR® EQUIPMENT

NOTE: CATERPILLAR part numbers are used as a reference only. We do not imply that these kits are original REPLACEMENT PARTS.

O-RINGS

Part Number	Min. Pkgs.	List Price
CTC-5P8286	1	\$12.17
CTC-5P8428	1	16.67
CTC-5P8429	1	47.91
CTC-5P8861	1	39.08
CTC-5P8862	1	37.56
CTC-5P8870	25	4.57
CTC-5P8871	1	64.71
CTC-5P8872	1	20.59
CTC-5P8883	3	2.33
CTC-5P8940	1	22.05
CTC-5P8942	1	0.51
CTC-5P9040	4	2.26
CTC-5P9186	1	1.15
CTC-5P9217	1	10.49
CTC-5P9658	10	1.36
CTC-5P9757	15	0.65
CTC-5P9890	2	4.63
CTC-5P9939	20	0.52
CTC-5S0982	5	5.32
CTC-5S3676	1	4.36
CTC-5S6760	1	31.16
CTC-5S9134	1	18.17
CTC-5W6388	5	1.52
CTC-5W9413	10	1.70
CTC-6D7128	12	0.92
CTC-6D7146	2	6.37
CTC-6D7889	2	3.41
CTC-6D9157	5	2.88
CTC-6F0671	5	4.52
CTC-6F0711	20	0.39
CTC-6F4718	5	2.62
CTC-6F4855	50	0.09
CTC-6F5559	50	0.09
CTC-6F6673	50	0.28
CTC-6F8146	20	0.88
CTC-6H3977	20	0.74
CTC-6H4162	1	6.13
CTC-6H5672	50	0.31
CTC-6H9691	50	0.03
CTC-6I1064	8	1.45
CTC-6J1038	50	0.35

O-RINGS

Part Number	Min. Pkgs.	List Price
CTC-6J2245	10	\$1.03
CTC-6J2419	20	0.30
CTC-6J2680	10	1.37
CTC-6J5541	5	4.40
CTC-6K6307	10	0.88
CTC-6K9149	5	5.26
CTC-6M5062	50	0.07
CTC-6R0365	10	1.72
CTC-6V0357	50	0.48
CTC-6V0894	50	0.22
CTC-6V0895	20	0.48
CTC-6V0913	50	0.18
CTC-6V0973	1	16.67
CTC-6V1175	1	10.49
CTC-6V1195	1	13.17
CTC-6V1196	2	7.19
CTC-6V1197	1	8.71
CTC-6V1320	2	5.46
CTC-6V1653	3	4.19
CTC-6V1902	1	17.65
CTC-6V1934	1	9.19
CTC-6V2483	20	0.88
CTC-6V3251	15	1.01
CTC-6V3263	1	13.36
CTC-6V3319	1	15.90
CTC-6V3348	3	4.40
CTC-6V3349	1	45.98
CTC-6V3551	1	16.08
CTC-6V3684	1	28.66
CTC-6V3685	40	0.48
CTC-6V3830	1	5.88
CTC-6V3831	1	9.14
CTC-6V3832	2	3.09
CTC-6V3833	1	14.52
CTC-6V3834	5	5.60
CTC-6V3835	1	27.94
CTC-6V3865	3	3.69
CTC-6V3907	1	19.42
CTC-6V3908	1	18.57
CTC-6V3922	50	0.21
CTC-6V3955	3	4.11

O-RINGS

Part Number	Min. Pkgs.	List Price
CTC-6V3967	1	\$84.24
CTC-6V3968	1	40.80
CTC-6V4297	1	35.93
CTC-6V4314	1	23.08
CTC-6V4315	1	17.57
CTC-6V4366	15	1.11
CTC-6V4367	5	1.92
CTC-6V4430	2	4.68
CTC-6V4480	2	4.68
CTC-6V4589	8	1.95
CTC-6V4590	1	8.18
CTC-6V5049	14	1.06
CTC-6V5050	5	3.16
CTC-6V5051	1	13.79
CTC-6V5052	1	19.42
CTC-6V5053	1	9.91
CTC-6V5054	1	26.95
CTC-6V5055	1	34.34
CTC-6V5057	1	73.37
CTC-6V5060	1	94.10
CTC-6V5095	1	45.05
CTC-6V5101	1	19.52
CTC-6V5102	1	41.10
CTC-6V5103	1	31.84
CTC-6V5134	2	5.02
CTC-6V5142	15	1.06
CTC-6V5143	5	2.20
CTC-6V5167	1	34.67
CTC-6V5266	3	2.92
CTC-6V5375	1	52.83
CTC-6V5393	20	0.46
CTC-6V5553	1	15.61
CTC-6V5556	50	0.35
CTC-6V5586	50	0.14
CTC-6V5656	1	15.50
CTC-6V5657	5	3.06
CTC-6V5722	50	0.14
CTC-6V5758	10	1.18
CTC-6V5759	8	1.20
CTC-6V5862	1	10.49
CTC-6V6228	10	1.50

CATERPILLAR®

REPLACEMENT PARTS FOR CATERPILLAR® EQUIPMENT

NOTE: CATERPILLAR part numbers are used as a reference only. We do not imply that these kits are original REPLACEMENT PARTS.

O-RINGS

Part Number	Min. Pkgs.	List Price
CTC-6V6339	50	\$4.06
CTC-6V6353	1	8.79
CTC-6V6580	50	0.30
CTC-6V6638	1	87.44
CTC-6V6707	10	1.64
CTC-6V6755	5	2.08
CTC-6V6756	3	4.42
CTC-6V7350	1	7.81
CTC-6V7351	1	12.97
CTC-6V7609	10	1.67
CTC-6V7610	5	2.50
CTC-6V7658	1	2.50
CTC-6V7659	5	2.41
CTC-6V7681	1	16.16
CTC-6V7701	1	56.30
CTC-6V8001	2	7.49
CTC-6V8002	2	7.81
CTC-6V8218	50	0.40
CTC-6V8260	1	10.99
CTC-6V8350	15	1.25
CTC-6V8397	50	0.14
CTC-6V8398	50	0.15
CTC-6V8399	50	0.21
CTC-6V8400	50	0.39
CTC-6V8467	5	2.81
CTC-6V8676	3	2.62
CTC-6V8958	2	8.92
CTC-6V8978	50	0.39
CTC-6V9746	50	0.21
CTC-7D1195	5	4.58
CTC-7D7111	1	20.00
CTC-7D9014	5	5.11
CTC-7E4846	50	0.37
CTC-7E4847	20	0.46
CTC-7F2122	10	1.05
CTC-7F8267	20	0.44
CTC-7F8268	20	0.52
CTC-7H2444	10	1.18
CTC-7H9959	5	4.15
CTC-7J0204	50	0.18

O-RINGS

Part Number	Min. Pkgs.	List Price
CTC-7J2036	20	\$0.55
CTC-7J6285	10	1.60
CTC-7J8956	5	3.15
CTC-7J9108	50	0.18
CTC-7L4090	10	1.72
CTC-7L4774	5	1.89
CTC-7L9061	10	1.07
CTC-7M5873	5	1.71
CTC-7M8485	20	0.48
CTC-7R8872	20	0.70
CTC-7S4001	10	1.37
CTC-7S8554	1	7.88
CTC-7S8561	1	10.92
CTC-7U3263	2	13.42
CTC-7U7852	1	35.63
CTC-7X1547	1	21.18
CTC-7X1550	50	0.46
CTC-7X4744	10	1.72
CTC-7X4745	3	2.83
CTC-7X4782	10	1.53
CTC-7X4805	10	1.20
CTC-7X4810	1	49.02
CTC-7X5494	10	1.05
CTC-7X8592	5	2.20
CTC-7X9372	10	1.03
CTC-7Y4277	1	7.61
CTC-7Y4294	1	8.62
CTC-7Y5219	50	0.18
CTC-7Y5269	20	0.91
CTC-7Y5280	100	0.10
CTC-8B4967	50	0.31
CTC-8B7216	50	0.07
CTC-8C0563	20	0.93
CTC-8C0624	5	2.08
CTC-8C3057	5	3.18
CTC-8C3058	5	7.91
CTC-8C3059	2	19.80
CTC-8C3077	2	8.21
CTC-8C3079	3	2.80
CTC-8C3080	20	0.40

O-RINGS

Part Number	Min. Pkgs.	List Price
CTC-8C3081	20	\$0.63
CTC-8C3085	50	0.14
CTC-8C3086	50	0.18
CTC-8C3087	50	0.21
CTC-8C3088	50	0.35
CTC-8C3089	2	5.12
CTC-8C3093	15	1.18
CTC-8C3095	9	0.48
CTC-8C3097	20	0.75
CTC-8C3098	50	0.14
CTC-8C3101	5	3.66
CTC-8C3102	5	3.66
CTC-8C3103	1	21.11
CTC-8C3107	1	7.36
CTC-8C3131	20	0.62
CTC-8C3828	1	83.66
CTC-8C5179	1	6.13
CTC-8C5197	2	4.22
CTC-8C5230	1	6.89
CTC-8C5237	1	1.50
CTC-8F4469	5	2.46
CTC-8F4994	50	0.31
CTC-8F5900	1	4.36
CTC-8F6230	1	4.36
CTC-8F6498	1	6.82
CTC-8F6711	20	0.55
CTC-8F7219	50	0.03
CTC-8F8230	1	4.36
CTC-8F8733	5	2.35
CTC-8F8861	1	6.55
CTC-8F8882	20	0.70
CTC-8F9206	50	0.09
CTC-8F9516	5	2.02
CTC-8F9538	50	0.03
CTC-8F9960	1	10.83
CTC-8H0273	5	3.30
CTC-8H2046	10	1.42
CTC-8H7521	20	0.92
CTC-8H8257	1	7.42
CTC-8I1736	5	3.06

CATERPILLAR®

REPLACEMENT PARTS FOR CATERPILLAR® EQUIPMENT

NOTE: CATERPILLAR part numbers are used as a reference only. We do not imply that these kits are original REPLACEMENT PARTS.

O-RINGS			O-RINGS			O-RINGS		
Part Number	Min. Pkgs.	List Price	Part Number	Min. Pkgs.	List Price	Part Number	Min. Pkgs.	List Price
CTC-8I4427	50	\$0.09	CTC-8T6716	5	\$2.96	CTC-9X7295	1	\$17.65
CTC-8J1665	5	3.37	CTC-8T6717	3	4.67	CTC-9X7357	10	2.45
CTC-8J1688	5	2.35	CTC-8T6850	50	0.23	CTC-9X7358	5	4.19
CTC-8J2413	50	0.30	CTC-8T7000	20	0.55	CTC-9X7371	1	11.64
CTC-8J4351	3	3.63	CTC-8T7568	5	3.66	CTC-9X7375	5	2.62
CTC-8J4386	1	7.39	CTC-8T7877	20	1.30	CTC-9X7377	10	1.09
CTC-8J8343	50	0.16	CTC-8T9522	5	1.75	CTC-9X7380	30	0.09
CTC-8J8725	2	4.85	CTC-8T9527	1	9.91	CTC-9X7383	15	0.17
CTC-8J8879	1	4.80	CTC-8T9529	15	1.18	CTC-9X7422	1	9.04
CTC-8L2746	1	0.65	CTC-8U1958	2	15.20	CTC-9X7430	10	3.43
CTC-8L2777	15	0.75	CTC-8U4125	1	3.67	CTC-9X7432	1	2.33
CTC-8L2779	1	0.51	CTC-8U5927	2	5.68	CTC-9X7440	5	3.65
CTC-8L9241	1	5.50	CTC-8U5942	1	0.67	CTC-9X7454	50	0.21
CTC-8M8997	50	0.13	CTC-8U6013	100	0.16	CTC-9X7458	5	2.85
CTC-8P6357	1	21.81	CTC-8U7381	50	0.35	CTC-9X7557	2	8.10
CTC-8S5011	2	3.66	CTC-9C3493	1	7.61	CTC-9X7562	1	25.99
CTC-8S5953	20	0.91	CTC-9F1399	5	2.80	CTC-9X7566	5	3.06
CTC-8T0116	100	0.16	CTC-9F4446	10	1.18	CTC-9X7676	15	0.65
CTC-8T0135	20	0.48	CTC-9F7283	10	1.72	CTC-9X7680	15	0.98
CTC-8T0315	20	0.48	CTC-9H4557	50	0.31	CTC-9X7681	15	1.06
CTC-8T0568	3	3.53	CTC-9J5686	20	1.14	CTC-9X7683	1	3.06
CTC-8T0678	1	5.25	CTC-9J6491	50	0.18	CTC-9X7684	20	0.35
CTC-8T2148	20	2.86	CTC-9M2092	10	1.58	CTC-9X7688	0	79.52
CTC-8T2360	3	3.48	CTC-9M3786	5	2.70	CTC-9X7692	50	0.32
CTC-8T2361	3	3.53	CTC-9M5024	5	3.66	CTC-9X7712	3	4.36
CTC-8T3013	1	25.32	CTC-9M5892	1	15.29	CTC-9X7715	2	7.26
CTC-8T3338	5	8.65	CTC-9M5894	1	4.08	CTC-9X7725	5	2.95
CTC-8T4202	20	0.91	CTC-9N1756	1	0.48	CTC-9X7734	8	1.07
CTC-8T4811	1	16.61	CTC-9R2496	5	2.05	CTC-9X7745	50	0.29
CTC-8T4827	50	0.40	CTC-9S3888	5	2.19	CTC-F315009000	2	6.84
CTC-8T4894	5	13.24	CTC-9S8307	20	1.03	CTC-Z440101000	2	7.22
CTC-8T4945	1	1.06	CTC-9T4057	50	0.30	CTC-Z440101100	2	9.39
CTC-8T5039	5	3.42	CTC-9W3340	25	0.57	CTC-Z440201000	2	9.06
CTC-8T5049	10	2.23	CTC-9X3979	10	1.72	CTC-Z440201400	2	10.01
CTC-8T5376	5	2.43	CTC-9X4576	1	13.23	CTC-Z441001000	1	2.81
CTC-8T5452	10	1.72	CTC-9X4611	10	1.94	CTC-Z441001100	5	3.50
CTC-8T6346	5	3.40	CTC-9X4617	10	1.23	CTC-Z441100950	1	3.25
CTC-8T6404	5	2.62	CTC-9X4626	10	1.00	CTC-Z441101050	5	3.62
CTC-8T6444	5	3.22	CTC-9X7286	1	14.00	CTC-Z441101150	5	3.74
CTC-8T6447	50	0.13	CTC-9X7287	1	10.34	CTC-Z441101600	2	13.21

CATERPILLAR®

REPLACEMENT PARTS FOR CATERPILLAR® EQUIPMENT

NOTE: CATERPILLAR kit numbers are used as a reference only. We do not imply that these kits are original REPLACEMENT PARTS.

SILICONE O-RINGS

Part Number	Min. Pkgs.	List Price
CTC-1M6036	2	\$10.66
CTC-1S0004	5	4.33
CTC-1S2174	5	4.61
CTC-1S7462	6	1.64
CTC-1S9799	6	26.05
CTC-2M2561	3	8.06
CTC-2P3538	5	6.83
CTC-2S2251	5	8.16
CTC-3S4489	5	1.96
CTC-5H7153	4	4.82
CTC-5H8853	20	0.59
CTC-5M3038	5	5.50
CTC-5P4932	11	1.95
CTC-5P6436	11	0.97
CTC-5P6620	20	0.95
CTC-6F0249	4	2.32
CTC-6L1648	4	5.68
CTC-6L1649	3	7.61
CTC-6L1650	3	5.85
CTC-6L1651	3	7.97
CTC-6L5473	1	9.19
CTC-6L9284	3	7.06
CTC-7X4800	20	0.91
CTC-8M1112	6	1.89
CTC-8M4389	5	1.60
CTC-8M4390	3	5.85
CTC-8M4395	3	4.86
CTC-8M4431	4	1.63
CTC-8M4432	5	2.90
CTC-8M4435	5	2.26
CTC-8M4436	3	5.36
CTC-8M4437	10	1.32
CTC-8M4438	5	1.38

SILICONE O-RINGS

Part Number	Min. Pkgs.	List Price
CTC-8M4443	3	\$4.61
CTC-8M4445	5	2.53
CTC-8M4446	5	2.69
CTC-8M4447	6	1.37
CTC-8M4448	5	1.60
CTC-8M4986	10	4.22
CTC-8M4987	10	3.67
CTC-8M4988	5	2.99
CTC-8M4989	2	6.92
CTC-8M4990	3	4.42
CTC-8M4991	3	6.62
CTC-8M4992	3	5.06
CTC-8M5010	3	5.60
CTC-8M5127	12	0.89
CTC-8M5248	5	3.32
CTC-8M5249	5	4.07
CTC-8M5251	12	1.20
CTC-8M5252	3	6.76
CTC-8M5253	8	1.03
CTC-8M5254	5	3.53
CTC-8M5260	8	1.00
CTC-8M5661	3	4.82
CTC-8M8157	5	1.19
CTC-8M8281	5	1.82
CTC-8M8282	6	1.49
CTC-8M8283	3	1.83
CTC-8M8515	5	2.77
CTC-9H6067	5	5.13
CTC-9M4218	2	7.97
CTC-9M4849	5	4.93
CTC-9M7002	3	7.53
CTC-9M7539	3	5.47
CTC-9M9647	3	7.86

ROD VEE SETS

Part Number	Rod Dia.	List Price
CTC-1J0132	1-1/4	\$10.09
CTC-1K7110	1-1/4	10.09
CTC-3D1123	1-1/2	16.84
CTC-2K0248	1-3/4	22.78
CTC-1K7112	2	20.08
CTC-3F9609	2	51.32
CTC-2K4434	2-1/4	22.98
CTC-1K7114	2-1/2	30.58
CTC-4F8420	2-1/2	48.41
CTC-4J5830	2-1/2	26.73
CTC-5F3498	2-3/4	44.56
CTC-2J1408	3	35.28
CTC-2K1516	3	53.31
CTC-4J6897	3-1/4	42.09
CTC-8M3912	3-1/2	22.62
CTC-2K0050	4	70.73
CTC-2K1335	4-1/2	60.41
CTC-3J7768	7-1/4	159.23

RECTANGULAR ROD SEALS

Part Number	Rod Dia.	Desc.	List Price
CTC-8C9139	2-1/2	Seal	\$36.23
CTC-5J1731	7	Seal	24.42
CTC-5J5150	7	Back-up Ring	18.22
CTC-8T3539	7	Seal	18.22
CTC-8T3540	7	Back-up Ring	28.26
CTC-6J7693	9	Seal	28.59
CTC-8T3541	9	Seal	18.22
CTC-8T3542	9	Back-up Ring	33.41
CTC-9J4753	9	Back-up Ring	18.22

REPLACEMENT PARTS FOR CATERPILLAR® EQUIPMENT

NOTE: CATERPILLAR part numbers are used as a reference only. We do not imply that these kits are original REPLACEMENT PARTS.

U-SEALS

Part Number	Rod Dia.	List Price
CTC-7J0375	5/8	\$8.15
CTC-3864246	3/4	10.00
CTC-6J1878	3/4	8.44
CTC-0352380	7/8	8.77
CTC-6J1889	1	5.45
CTC-1890217	1-1/4	11.33
CTC-4T0959	1-1/4	10.77
CTC-5J8125	1-1/4	10.77
CTC-2S5867	1-1/2	20.33
CTC-5J8150	1-1/2	14.07
CTC-9J4038	1-1/2	19.47
CTC-4T0488	1-5/8	13.68
CTC-1672300	1-3/4	11.40
CTC-3518628	1 3/4	11.80
CTC-5J8175	1-3/4	14.18
CTC-8J5816	1-3/4	14.18
CTC-3081883	1-3/4	26.82
CTC-1672302	1-7/8	11.35
CTC-2332609	1-7/8	11.35
CTC-4S9006	1-7/8	29.56
CTC-4T6898	1-7/8	29.93
CTC-1672304	2	21.82
CTC-2892946	2	21.82
CTC-3081873	2	19.10
CTC-3568331	2	21.82
CTC-3G3259	2	25.65
CTC-3G3260	2	20.05
CTC-4214023	2	24.61
CTC-5J8200	2	24.77
CTC-5U3644	2	10.45
CTC-9J1318	2	25.65
CTC-1672305	2-1/8	23.42
CTC-3P1344	2-1/8	18.56
CTC-4T6126	2-1/8	25.80
CTC-1672307	2-1/4	21.33
CTC-3623819	2-1/4	21.33
CTC-5J8225	2-1/4	21.33
CTC-7J4820	2-1/4	28.87
CTC-0917173	2-3/8	20.87
CTC-3640084	2-3/8	20.31
CTC-3G2911	2-3/8	55.40
CTC-5J8238	2-3/8	20.31
CTC-9J1322	2-3/8	17.89
CTC-1672314	2-1/2	23.73
CTC-2892948	2-1/2	26.99
CTC-3G3752	2-1/2	50.90
CTC-3G3809	2-1/2	50.90

U-SEALS

Part Number	Rod Dia.	List Price
CTC-4S9007	2-1/2	\$39.31
CTC-5J0964	2-1/2	20.79
CTC-7J4824	2-1/2	50.90
CTC-9X7257	2-1/2	50.90
CTC-1672438	2-1/2	103.48
CTC-1672315	2-5/8	18.69
CTC-3G4718	2-5/8	18.69
CTC-1672317	2-3/4	20.82
CTC-5J8275	2-3/4	21.23
CTC-9J2944	2-3/4	34.64
CTC-1P4879	3	44.97
CTC-5J8300	3	21.90
CTC-3124245	3	18.56
CTC-4214025	3	30.10
CTC-1672320	3-1/4	23.08
CTC-3465201	3-1/4	31.04
CTC-4214026	3-1/4	31.04
CTC-4153212	3-1/4	23.08
CTC-5J8325	3-1/4	23.08
CTC-7J2145	3-1/4	40.10
CTC-3G5051	3-3/8	20.33
CTC-5P1140	3-3/8	14.99
CTC-1049658	3-1/2	24.13
CTC-1672324	3-1/2	28.19
CTC-1J2148	3-1/2	81.95
CTC-1P4880	3-1/2	27.42
CTC-5J8350	3-1/2	24.13
CTC-7J2150	3-1/2	43.19
CTC-3119317	3-1/2	34.89
CTC-1672328	3-3/4	28.31
CTC-1672331	3-3/4	37.08
CTC-3465200	3-3/4	28.31
CTC-5J8375	3-3/4	28.31
CTC-2U9113	4	30.97
CTC-5J8400	4	37.08
CTC-7U6945	4	30.97
CTC-3119320	4	52.55
CTC-1672333	4-1/4	31.98
CTC-6J1425	4-1/4	33.08
CTC-9J1336	4-1/4	33.08
CTC-0917170	4-3/8	68.63
CTC-1672336	4-1/2	37.64
CTC-6J1450	4-1/2	37.64
CTC-9J1340	4-1/2	37.64
CTC-2951316	4-1/2	37.64
CTC-3413191	4-1/2	37.64
CTC-6J1475	4-3/4	49.48

U-SEALS

Part Number	Rod Dia.	List Price
CTC-9J1344	4-3/4	\$49.48
CTC-4T5664	4-7/8	40.15
CTC-1211594	5	60.24
CTC-2U5379	5	32.22
CTC-3260765	5	74.73
CTC-3G5056	5	32.35
CTC-5P1139	5	32.35
CTC-6K2430	5	60.97
CTC-8J4524	5	75.72
CTC-9J1684	5	32.35
CTC-1672339	5	75.72
CTC-4T5699	5-1/4	42.31
CTC-1672344	5 1/2	63.11
CTC-3260768	5-1/2	120.20
CTC-6J1550	5-1/2	51.54
CTC-9J1692	5-1/2	51.54
CTC-1211602	5-3/4	70.82
CTC-3G2286	5-3/4	79.58
CTC-9J5467	5-3/4	70.58
CTC-9J5470	5-3/4	70.58
CTC-1672421	6	77.13
CTC-4T9901	6	67.83
CTC-8J4394	6-1/4	62.08
CTC-1367396	6-1/2	77.03
CTC-1672415	6-1/2	67.83
CTC-6J1650	6-1/2	80.93
CTC-8J1880	6-1/2	80.93
CTC-8J4387	6-1/2	97.07
CTC-1367397	7	87.05
CTC-1672352	7	88.21
CTC-1672416	7	87.05
CTC-3271055	7	98.43
CTC-3G2649	7	74.38
CTC-4335903	7	98.43
CTC-6J1700	7	74.38
CTC-1367398	7-1/4	89.10
CTC-1672353	7-1/4	75.16
CTC-1672417	7-1/4	89.10
CTC-3336479	7-1/4	124.98
CTC-6E0172	7-1/4	75.16
CTC-1367399	7-1/2	96.08
CTC-1672418	7-1/2	96.08
CTC-3260766	7-1/2	103.08
CTC-1672354	8	412.65
CTC-3260769	8-1/2	117.89
CTC-3232197	9	105.85
CTC-4335904	9	105.85

CATERPILLAR®

REPLACEMENT PARTS FOR CATERPILLAR® EQUIPMENT

NOTE: CATERPILLAR part numbers are used as a reference only. We do not imply that these kits are original REPLACEMENT PARTS.

U-SEALS

Part Number	Rod Dia.	List Price
CTC-9X7334	9	\$105.85
CTC-9X7389	11	133.03
CTC-3336480	10-1/2	459.61
CTC-3336482	11	133.03
CTC-3124249	12-1/2	141.49
CTC-9X7388	12-1/2	141.49
CTC-0940876	10 mm	12.28
CTC-3Q7691	22 mm	6.31
CTC-1449481	30 mm	14.29
CTC-2991379	35 mm	16.29
CTC-2032344	35 mm	15.99
CTC-1402377	35 mm	13.76
CTC-2047231	40 mm	16.77
CTC-2126073	40 mm	21.21
CTC-6R8715	40 mm	23.15
CTC-1449493	40 mm	21.47
CTC-1921159	40 mm	26.94
CTC-3382442	40 mm	8.70
CTC-1991136	45 mm	16.20
CTC-2035383	45 mm	22.30
CTC-2986947	45 mm	21.25
CTC-1463916	45 mm	16.20
CTC-1672297	45 mm	10.24
CTC-1980660	45 mm	18.70
CTC-1438914	45 mm	16.88
CTC-1920623	45 mm	22.46
CTC-2774161	45 mm	62.08
CTC-1461103	50 mm	22.83
CTC-1708823	50 mm	22.83
CTC-1921168	50 mm	41.88
CTC-1931372	50 mm	22.45
CTC-2034020	50 mm	22.45
CTC-2167638	50 mm	26.98
CTC-1463957	50 mm	22.83
CTC-2332610	50 mm	17.27
CTC-2725679	50 mm	22.45
CTC-2774130	50 mm	52.13
CTC-0959790	50 mm	22.45
CTC-1672303	50 mm	15.20
CTC-3382444	50 mm	11.64
CTC-3512179	50 mm	14.13
CTC-3295792	50 mm	24.06
CTC-1708773	55 mm	23.03
CTC-2125097	55 mm	25.81
CTC-2167238	55 mm	23.03
CTC-2332611	55 mm	66.54
CTC-2725642	55 mm	28.02

U-SEALS

Part Number	Rod Dia.	List Price
CTC-0996996	55 mm	\$28.02
CTC-1672306	55 mm	41.63
CTC-2773383	55 mm	59.06
CTC-3295793	55 mm	42.31
CTC-1183120	60 mm	26.12
CTC-0931475	60 mm	22.59
CTC-1672301	60 mm	25.02
CTC-3382445	60 mm	12.22
CTC-1095256	63 mm	34.96
CTC-1095259	63 mm	31.77
CTC-0931476	65 mm	26.20
CTC-1709856	65 mm	30.06
CTC-1915683	65 mm	32.99
CTC-1460740	65 mm	32.99
CTC-3382446	65 mm	15.52
CTC-1182716	70 mm	31.09
CTC-3494118	70 mm	50.16
CTC-0931477	70 mm	25.81
CTC-1709857	70 mm	41.94
CTC-8Q5877	70 mm	23.60
CTC-A04600915	70 mm	25.81
CTC-1672299	70 mm	17.34
CTC-4161296	70 mm	36.11
CTC-3382447	70 mm	15.99
CTC-0963468	75 mm	31.40
CTC-8Q6011	75 mm	35.28
CTC-A04600918	75 mm	31.40
CTC-1709858	75 mm	24.39
CTC-1672318	75 mm	19.32
CTC-3494117	75 mm	44.36
CTC-4161274	75 mm	45.21
CTC-0931479	80 mm	27.57
CTC-0994156	80 mm	34.37
CTC-1709859	80 mm	36.61
CTC-A04600917	80 mm	34.37
CTC-1572236	80 mm	18.32
CTC-1672343	80 mm	18.95
CTC-3555816	80 mm	38.54
CTC-4161285	80 mm	59.08
CTC-7Q8581	80 mm	48.07
CTC-0961567	85 mm	37.32
CTC-1540730	85 mm	40.00
CTC-1672322	85 mm	40.00
CTC-1709860	85 mm	31.59
CTC-2742497	85 mm	40.41
CTC-7Y5117	85 mm	37.45
CTC-1373656	85 mm	40.00

U-SEALS

Part Number	Rod Dia.	List Price
CTC-3500957	85 mm	\$37.32
CTC-3555820	85 mm	52.63
CTC-4161313	85 mm	43.34
CTC-0961587	90 mm	48.25
CTC-1052577	90 mm	39.28
CTC-1540750	90 mm	39.28
CTC-1672325	90 mm	29.95
CTC-2160003	90 mm	39.72
CTC-2742498	90 mm	32.77
CTC-1336913	90 mm	39.28
CTC-3500958	90 mm	19.04
CTC-3512177	90 mm	25.36
CTC-1505826	95 mm	31.94
CTC-1672326	95 mm	32.46
CTC-2160004	95 mm	9.60
CTC-2590653	95 mm	41.55
CTC-7Y4629	95 mm	41.55
CTC-1672327	95 mm	50.42
CTC-3500959	95 mm	10.95
CTC-3722152	95 mm	84.24
CTC-4161318	95 mm	83.68
CTC-0962664	100 mm	31.76
CTC-1076256	100 mm	45.44
CTC-1211371	100 mm	37.08
CTC-1373659	100 mm	37.08
CTC-1540737	100 mm	37.08
CTC-1672329	100 mm	49.50
CTC-1672330	100 mm	37.08
CTC-2160005	100 mm	31.76
CTC-2742499	100 mm	28.41
CTC-8U6849	100 mm	37.08
CTC-1540762	100 mm	45.44
CTC-3500960	100 mm	23.20
CTC-3776019	100 mm	59.90
CTC-1948354	105 mm	50.98
CTC-1948364	105 mm	50.98
CTC-2590733	105 mm	55.81
CTC-7Y4670	105 mm	52.02
CTC-0955600	105 mm	56.46
CTC-1289269	105 mm	52.02
CTC-1540768	105 mm	56.46
CTC-3246439	105 mm	55.81
CTC-3500961	105 mm	14.24
CTC-1289270	110 mm	58.79
CTC-1672338	110 mm	67.73
CTC-1709865	110 mm	55.54
CTC-2590734	110 mm	110.56

CATERPILLAR®

REPLACEMENT PARTS FOR CATERPILLAR® EQUIPMENT

NOTE: CATERPILLAR part numbers are used as a reference only. We do not imply that these kits are original REPLACEMENT PARTS.

U-SEALS

Part Number	Rod Dia.	List Price
CTC-3338688	110 mm	85.70
CTC-7Y4942	110 mm	57.21
CTC-3033491	110 mm	114.04
CTC-3249486	115 mm	83.98
CTC-1915646	115 mm	83.98
CTC-2042848	115 mm	83.98
CTC-2095876	115 mm	98.51
CTC-2590735	115 mm	123.31
CTC-3338673	130 mm	207.40
CTC-2160008	130 mm	39.23
CTC-2590736	130 mm	207.40
CTC-2160009	140 mm	48.07
CTC-1475770	140 mm	48.07
CTC-3673929	140 mm	104.56
CTC-1672347	145 mm	74.95
CTC-2160010	145 mm	108.68
CTC-1672429	150 mm	132.42
CTC-2160011	150 mm	19.26

NON-CATERPILLAR U-SEALS

Part Number	Rod Dia.	List Price
CTC-3E4175	1-1/8	\$6.87
CTC-3E4284	1-1/8	7.66
CTC-3E4180	1-1/4	7.57
CTC-3E4181	1-1/4	7.04
CTC-3E4193	1-1/4	7.68
CTC-3E4182	1-3/8	7.47
CTC-3E4194	1-3/8	7.94
CTC-3E4283	1-3/8	8.68
CTC-3E4183	1-1/2	7.58
CTC-3E4195	1-1/2	8.74
CTC-3E4215	1-1/2	10.60
CTC-3E4184	1-5/8	8.08
CTC-3E4201	1-5/8	9.83
CTC-3E4185	1-3/4	8.56
CTC-3E4216	1-3/4	11.77
CTC-3E4287	1-3/4	9.55
CTC-3E4186	2	9.54
CTC-3E4196	2	10.45
CTC-3E4217	2	12.58
CTC-3E4227	2	17.79
CTC-3E4187	2-1/4	10.65
CTC-3E4197	2-1/4	11.73
CTC-3E4218	2-1/4	14.90
CTC-3E4228	2-1/4	19.81
CTC-3E4188	2-3/8	30.97
CTC-3E4204	2-3/8	13.42
CTC-3E4189	2-1/2	11.48
CTC-3E4198	2-1/2	12.91
CTC-3E4219	2-1/2	15.04
CTC-3E4229	2-1/2	20.87
CTC-3E4285	2-1/2	17.45
CTC-3E4199	2-3/4	14.09
CTC-3E4220	2-3/4	16.34
CTC-3E4230	2-3/4	23.81

NON-CATERPILLAR U-SEALS

Part Number	Rod Dia.	List Price
CTC-3E4190	3	\$13.88
CTC-3E4200	3	15.22
CTC-3E4221	3	17.66
CTC-3E4231	3	24.79
CTC-3E4222	3-3/8	19.62
CTC-3E4286	3-3/8	22.78
CTC-3E4191	3-1/2	16.54
CTC-3E4202	3-1/2	17.57
CTC-3E4223	3-1/2	24.86
CTC-3E4232	3-1/2	28.17
CTC-3E4192	3-3/4	19.34
CTC-3E4203	3-3/4	18.59
CTC-3E4224	3-3/4	26.45
CTC-3E4225	4	23.18
CTC-3E4233	4	31.81
CTC-3E4205	4-1/4	24.21
CTC-3E4206	4-1/2	27.84
CTC-3E4234	4-1/2	34.94
CTC-3E4207	4-3/4	30.57
CTC-3E4208	5	32.22
CTC-3E4226	5	36.80
CTC-3E4235	5	38.29
CTC-3E4209	5-1/4	36.65
CTC-3E4210	5-1/2	36.52
CTC-3E4236	5-1/2	41.46
CTC-3E4211	6	38.20
CTC-3E4237	6	44.35
CTC-3E4212	6-1/2	43.27
CTC-3E4238	6-1/2	47.02
CTC-3E4213	7	46.86
CTC-3E4239	7	58.38
CTC-3E4240	7-1/2	58.79
CTC-3E4214	8	56.71

CATERPILLAR®

REPLACEMENT PARTS FOR CATERPILLAR® EQUIPMENT

NOTE: CATERPILLAR kit numbers are used as a reference only. We do not imply that these kits are original REPLACEMENT PARTS.

WEAR RINGS

Part Number	O.D. X Width	List Price
CTC-5J9073	1-1/2 X 0.485	\$9.02
CTC-8C9120	1-5/8 X 13/16	12.89
CTC-4T6780	1-5/8 X .98	11.01
CTC-8T5443	1-5/8 X 1-1/4	23.15
CTC-4T6907	1-7/8 X .98	27.06
CTC-8T6441	2 X 1/4	24.23
CTC-8T6442	2 X .72	27.46
CTC-4T6779	2 X .98	36.11
CTC-4T5613	2-1/8 X 1	7.30
CTC-8T7030	2-1/8 X 1-1/4	34.57
CTC-8T6682	2-1/4 X .36	57.37
CTC-8T6681	2-1/4 X .72	56.53
CTC-7H2423	2-1/4 X 7/8	10.42
CTC-4T6128	2-1/4 X .98	31.64
CTC-8T4958	2-3/8 X 1	40.75
CTC-8T8204	2-3/8 X 1-3/16	36.42
CTC-8J6212	2-1/2 X 3/4	12.26
CTC-9X7260	2-1/2 X 1.246	19.90
CTC-009004097	2.51 X 3.11	53.13
CTC-8T0785	2-5/8 X .98	39.54
CTC-8T5668	2-5/8 X 1-1/4	45.32
CTC-8T8394	2-5/8 X 1-11/16	57.86
CTC-8T8365	2.7 X 2.28	86.63
CTC-8J0112	2-3/4 X 15/16	17.47
CTC-8T7372	2-3/4 X .97	16.41
CTC-8C9200	2-7/8 X 1	49.03
CTC-8C9114	2-7/8 X 1	49.03
CTC-6C2385	2-7/8 X 1-1/4	41.15
CTC-8T7849	2-7/8 X 1.57	57.29
CTC-8T7020	2-7/8 X 1-13/16	37.26
CTC-8T6743	2.95 X 1.96	72.76
CTC-2233353	3 X 3/4	6.78
CTC-6U0381	3 X 3/4	6.78
CTC-6J5733	3 X .99	21.88
CTC-8T6443	3 X 1	17.56
CTC-4T7283	3 X 1.24	30.70
CTC-8C9161	3-1/8 X .97	17.44
CTC-9T0094	3-1/8 X 1.24	81.54
CTC-8T1714	3-1/8 X 1-9/16	90.38
CTC-8T7584	3-1/8 X 1-5/8	46.14

WEAR RINGS

Part Number	O.D. X Width	List Price
CTC-8C9153	3.20 X 1.17	\$61.69
CTC-8J2577	3-1/4 X 3/4	23.95
CTC-8J6371	3-1/4 X 1.11	23.66
CTC-8T6683	3-1/4 X 1-1/8	66.65
CTC-8T0777	3-3/8 X 1.74	82.17
CTC-2233502	3-3/8 X 3/4	6.78
CTC-8T4813	3.45 X 1-5/8	59.72
CTC-8T6745	3.45 X 1.96	67.57
CTC-8T6744	3.45 X 2.74	97.62
CTC-7J6916	3-1/2 X 5/8	6.78
CTC-2233356	3-1/2 X 3/4	6.81
CTC-7U7647	3-1/2 X 3/4	6.81
CTC-6H5496	3-1/2 X 7/8	14.06
CTC-5J3326	3-1/2 X 1-1/8	42.52
CTC-7J9885	3-1/2 X 1-1/8	18.90
CTC-4J3236	3-1/2 X 1-1/2	21.08
CTC-8C5245	3-5/8 X 1.05	55.42
CTC-8T3329	3-5/8 X 1.88	66.53
CTC-8C3829	3.7 X 1.76	109.26
CTC-1324907	3.7 X 1.88	98.09
CTC-8T6746	3.7 X 2.36	106.36
CTC-2233357	3-3/4 X 3/4	17.51
CTC-1194761	3-3/4 X 1	20.48
CTC-8J6245	3-3/4 X 1	20.48
CTC-5J8019	3-3/4 X 1.24	20.81
CTC-6J3075	3-3/4 X 1.99	56.09
CTC-8T7848	3-7/8 X 1.57	90.97
CTC-8T3330	3.95 X 2-7/16	112.11
CTC-5J7154	4 X 5/8	20.37
CTC-8H0214	4 X 7/8	14.33
CTC-6J2797	4 X .99	27.41
CTC-6U3246	4 X 1	7.96
CTC-1M1571	4 x 1-1/4	31.89
CTC-3G4723	4-1/8 X .42	24.50
CTC-8T7538	4.2 X 1.56	92.90
CTC-8T6747	4.2 X 2.55	78.23
CTC-2259524	4-1/4 X 3/4	10.74
CTC-1194760	4-1/4 X 1	17.72
CTC-6J7264	4-1/4 X 1	35.57
CTC-6J4003	4-1/4 X 1-1/4	19.47

WEAR RINGS

Part Number	O.D. X Width	List Price
CTC-5J8157	4-1/4 X 1.49	\$25.97
CTC-4T4753	4-1/4 X 1.88	41.50
CTC-7J3300	4.258 X 2.49	72.80
CTC-8T6748	4.45 X 2-3/8	87.43
CTC-2264162	4-1/2 X 3/4	18.60
CTC-2233360	4-3/4 X 3/4	22.56
CTC-5U3531	4-1/2 X 3/4	7.11
CTC-6H6270	4-1/2 X 7/8	16.82
CTC-4J4605	4-1/2 X 15/16	21.69
CTC-1460744	4-1/2 X 1	20.67
CTC-4J3745	4-1/2 X 1	20.67
CTC-6U4154	4-1/2 X 1	9.75
CTC-4J2630	4-1/2 X 1-1/2	30.52
CTC-4J2620	4-1/2 X 1-1/2	29.95
CTC-6J4175	4-1/2 X 1.86	49.51
CTC-4T8758	4-1/2 X 1.86	49.51
CTC-0901301	4-1/2 X 2.362	82.51
CTC-4T9248	4-3/4 X 1-1/4	29.09
CTC-4J3342	4-3/4 X 1-1/4	29.09
CTC-5J3326	4-3/4 X 1-1/4	42.52
CTC-1317184	4-3/4 X 1.64	53.32
CTC-3J7663	4-3/4 X 1.99	137.09
CTC-9J9792	4-3/4 X 3-1/2	85.23
CTC-4T6929	4-3/4 X 3-1/2	85.23
CTC-8T7850	4.950 X 1.96	65.34
CTC-2263860	5 X 3/4	27.48
CTC-7J1627	5 X 0.85	28.07
CTC-4J4630	5 X 1-1/8	24.27
CTC-8M4226	5 X 1.24	52.79
CTC-4J3420	5 X 1.55	25.62
CTC-4T4752	5 X 1-3/4	30.97
CTC-8T3331	5.2 X 2-1/2	109.26
CTC-7J8878	5-1/4 X 3/16	12.42
CTC-9J7978	5-1/4 X 3/4	34.24
CTC-2D0714	5-1/4 X 1.02	56.05
CTC-9J7978	5-1/4 X 1.49	34.24
CTC-9J3054	5-1/4 X 3.61	109.23
CTC-4T5718	5.45 X 2.49	70.21
CTC-1546747	5-3/8 X 1	20.72
CTC-5U4278	5-1/2 X 3/4	7.43

CATERPILLAR®

REPLACEMENT PARTS FOR CATERPILLAR® EQUIPMENT

NOTE: CATERPILLAR part numbers are used as a reference only. We do not imply that these kits are original REPLACEMENT PARTS.

WEAR RINGS

Part Number	O.D. X Width	List Price
CTC-4J4606	5-1/2 X 1-1/4	\$27.46
CTC-3J9026	5-1/2 X 1-3/8	53.69
CTC-7J3303	5-1/2 X 1.61	68.28
CTC-9J7191	5-1/2 X 1.74	84.25
CTC-1898686	5-1/2 X 1-3/4	84.25
CTC-7J1731	5-1/2 X 1-3/4	36.79
CTC-4J3518	5-1/2 X 1.99	75.33
CTC-8C9112	5-1/2 X 1.99	75.33
CTC-8J1690	5-1/2 X 2.24	88.45
CTC-5I8591	5-11/16 X 5/16	73.94
CTC-1724019	5-3/4 X 1.61	109.93
CTC-9J4164	5-3/4 X 1.62	109.93
CTC-6J3074	5-3/4 X 1.99	85.94
CTC-8J9917	5-3/4 X 2.36	117.71
CTC-8T7851	5.95 X 1.96	100.42
CTC-8T3332	5.95 X 3.61	165.39
CTC-7J8877	6 X 3/16	33.89
CTC-3G6537	6 X 1.07	48.04
CTC-5J0014	6 X 1-1/4	38.09
CTC-1J0708	6 X 1-5/16	40.70
CTC-9J5860	6 X 1-1/2	37.02
CTC-7J5326	6 X 1-3/4	68.69
CTC-4T6930	6 X 2.74	194.82
CTC-8J1746	6 X 2.74	194.82
CTC-8J1764	6 X 2.74	194.82
CTC-8J1714	6 X 2.86	146.84
CTC-5J3326	6-1/4 X 1.49	42.52
CTC-9J5550	6-1/4 X 1-3/4	70.96
CTC-4T9319	6-1/4 X 2.74	197.03
CTC-3657618	6-1/4 X 3-31/64	189.93
CTC-5J0058	6-1/2 X 1-1/4	39.00
CTC-7J8880	6-1/2 X 1/4	31.91
CTC-4J7532	6-1/2 X 1	29.54
CTC-3J9027	6-1/2 X 1.37	35.30
CTC-9T0096	6-1/2 X 1-1/2	35.50
CTC-3J9703	6-1/2 X 1-1/2	35.50
CTC-9J9806	6-1/2 X 1.74	70.65
CTC-7J1938	6-1/2 X 2	59.88
CTC-9J3055	6-1/2 X 2.74	197.03
CTC-7J9232	6-1/2 X 2.86	97.29

WEAR RINGS

Part Number	O.D. X Width	List Price
CTC-9J0811	6-1/2 X 3.485	\$189.93
CTC-7J8881	6-1/2 X 3.49	252.98
CTC-1915604	6-3/4 X 0.99	71.66
CTC-8M4228	7 X 1.485	31.59
CTC-3G5098	7 X 1.74	70.83
CTC-9J0711	7 X 1.99	73.66
CTC-3G3470	7 X 2.365	176.52
CTC-8J1662	7 X 3-1/8	72.98
CTC-8T6749	7.2 X 3.14	72.72
CTC-1476585	7.200 X 2.35	135.98
CTC-1080130	7.698 X 3.13	61.89
CTC-1J2674	7-1/4 X 1-3/8	77.71
CTC-3J7848	7-1/4 X 2	76.40
CTC-3657619	7-1/4 X 2-23/64	113.17
CTC-1U1734	7-1/4 X 3-1/16	213.19
CTC-8T7693	7-1/4 X 7.1	364.46
CTC-4J7663	7-1/4 X 7.10	364.46
CTC-8T1127	7-3/8 X 1.61	77.10
CTC-1U2218	7-1/2 X 1-1/2	61.13
CTC-8J9936	7-1/2 X 2.36	113.17
CTC-9J5562	7-1/2 X 2-1/2	108.10
CTC-4T4811	7-1/2 X 2.95	90.19
CTC-7J8886	7-3/4 X 1/4	15.98
CTC-5J5037	7-3/4 X 1.61	150.88
CTC-9J5037	7-3/4 X 1.61	150.88
CTC-9J3624	7-3/4 X 1.99	82.15
CTC-7J9247	7-3/4 X 3-1/2	186.33
CTC-4T6932	7-3/4 X 4.49	340.60
CTC-3G4625	7-3/4 X 4.49	340.60
CTC-1214703	8 X 2.93	139.11
CTC-4J9047	8 X 5	174.74
CTC-8T7695	8 X 5	174.74
CTC-6E0245	8.200 X 2.950	172.75
CTC-7J8887	8-1/4 X 1/4	63.59
CTC-2J0745	8-1/4 X 1-1/4	40.38
CTC-4J7376	8-1/4 X 1-1/2	54.66
CTC-3J8683	8-1/4 X 1-3/4	70.23
CTC-3G9882	8-1/4 X 1.99	175.32
CTC-8J8375	8-1/4 X 2-1/8	108.82
CTC-3J7632	8-1/4 X 2-1/4	116.33

WEAR RINGS

Part Number	O.D. X Width	List Price
CTC-7J3301	8-1/4 X 2.49	\$178.83
CTC-9J8102	8-1/4 X 2.74	241.82
CTC-8T7694	8-1/2 X 3	179.58
CTC-4T9320	8-1/4 X 3-1/2	250.27
CTC-9J3056	8-1/4 X 4.11	123.11
CTC-7J8064	8-1/2 X 2.36	157.37
CTC-9M1604	8-1/2 X 3	179.58
CTC-1628361	8.778 X 0.465	91.84
CTC-1628362	8.994 X 1-1/64	84.95
CTC-6E0248	9 X 2.946	112.75
CTC-1J5281	9-1/4 X 1-3/4	71.73
CTC-4T5949	9-1/4 X 1.96	107.35
CTC-7J2087	9-1/4 X 2-1/4	178.99
CTC-8C3846	9-3/8 X 9	443.27
CTC-4T6097	9-1/2 X 1.93	244.60
CTC-1669058	9.528 X 0.465	114.80
CTC-1214175	10 X 1.9	116.18
CTC-1178865	10 X 1-1/2	107.63
CTC-8C3843	10 X 2.74	183.28
CTC-9J3369	10 X 3-1/4	142.10
CTC-7J8890	10-1/4 X 0.243	37.45
CTC-2299443	10-1/2 X 2.382	165.83
CTC-9J1159	10 1/2 X 2.74	241.13
CTC-8J8900	10-1/2 X 3-3/4	142.68
CTC-8J5980	10-1/2 X 4	203.88
CTC-8T6637	10-3/4 X 6-1/2	550.01
CTC-6E0249	11 X 1.923	124.90
CTC-1080124	11 X 3.235	306.80
CTC-8T1129	11-3/8 X 2.61	173.72
CTC-4T4815	11-1/2 X 3.99	268.34
CTC-9J2991	11-1/2 X 3-7/8	156.62
CTC-4T6096	12-1/4 X 4	379.26
CTC-1U2694	12-1/2 X 4	275.17
CTC-6E0308	12-1/2 X 1.460	165.36
CTC-1530119	12-3/4 X 4	313.92
CTC-8T1130	12-7/8 X 2.86	212.95
CTC-1944420	12-7/8 X 4.03	956.31
CTC-4T4827	12-7/8 X 12.18	1188.89
CTC-1U4627	13-1/8 X 7.85	1009.33
CTC-9X7439	13-7/8 X 2.36	211.94

CATERPILLAR®

REPLACEMENT PARTS FOR CATERPILLAR® EQUIPMENT

NOTE: CATERPILLAR kit numbers are used as a reference only. We do not imply that these kits are original REPLACEMENT PARTS.

WEAR RINGS

Part Number	O.D. X Width	List Price
CTC-9X3563	13-7/8 X 10	\$857.12
CTC-6E0247	13-3/4 X 4	346.32
CTC-4T4129	14-1/4 X 3.99	361.61
CTC-4T4825	15-1/8 X 7.71	893.17
CTC-9X3564	16-1/8 X 7.69	844.25
CTC-1449482	33 X 14.2 mm	9.37
CTC-1473779	38 X 14.2 mm	9.53
CTC-1449494	43 X 14.2 mm	8.02
CTC-1509403	48 X 14.2 mm	9.93
CTC-1438916	48 X 25 mm	14.58
CTC-1794354	50 X 15 mm	13.14
CTC-2659682	50 X 24.5 mm	20.18
CTC-1410709	53 X 24.5 mm	20.18
CTC-0908007	55 X 7.9 mm	25.32
CTC-1449486	60 X 14.8 mm	10.80
CTC-1980663	60 X 18 mm	7.95
CTC-1183121	60 X 9.5 mm	10.12
CTC-1890589	63 X 20 mm	14.97
CTC-1400176	63 X 24.8 mm	34.53
CTC-2047227	65 X 10 mm	9.22
CTC-1449491	65 X 14.8 mm	11.13
CTC-2377904	65 X 6 mm	10.95
CTC-1404272	70 X 11.8 mm	90.45
CTC-1754720	70 X 12 mm	90.45
CTC-1512566	70 X 14.8 mm	11.13
CTC-2377088	70 X 6 mm	11.87
CTC-3406272	70 X 6.9 mm	9.26
CTC-1057252	80 X 6 mm	32.68
CTC-2508733	75 X 10 mm	14.90
CTC-1920683	75 X 11.8 mm	121.53
CTC-1509402	75 X 14.8 mm	11.39
CTC-1438918	75 X 29.8 mm	27.36
CTC-1991142	75 X 6 mm	32.23
CTC-2812315	75 X 6 mm	32.23
CTC-1930783	75 X 9.8 mm	3.41
CTC-1865147	78 X 25 mm	26.51
CTC-1931393	80 X 10 mm	4.73
CTC-1463922	80 X 11.8 mm	140.21
CTC-5180952	80 X 29.8 mm	16.15
CTC-0997002	80 X 30 mm	19.44

WEAR RINGS

Part Number	O.D. X Width	List Price
CTC-0997003	80 X 6 mm	\$78.12
CTC-2376136	80 X 6 mm	13.69
CTC-3438050	80 X 9.5 mm	6.45
CTC-1052630	81.3 X 5.9 mm	44.82
CTC-1865148	83 X 25 mm	26.73
CTC-2639887	85 X 12.5 mm	10.54
CTC-1463967	85 X 14.8 mm	158.98
CTC-1512565	85 X 15 mm	23.97
CTC-1231667	85 X 29.8 mm	10.09
CTC-3825818	85 X 29.8 mm	10.09
CTC-1379009	85 X 6 mm	61.48
CTC-2781986	85 X 6 mm	38.41
CTC-1990601	85 X 6 mm	38.41
CTC-3825816	85 X 6 mm	7.03
CTC-1934312	85 X 9.8 mm	3.91
CTC-2659683	88 X 25 mm	34.53
CTC-0861044	90 X 10 mm	69.57
CTC-1931367	90 X 10 mm	18.00
CTC-1463993	90 X 14.8 mm	158.55
CTC-0996976	90 X 3 mm	29.23
CTC-1992095	90 X 5.9	7.63
CTC-0996977	90 X 6 mm	44.82
CTC-1057388	91.3 X 5.9 mm	43.03
CTC-1865397	93 X 24.9 mm	49.14
CTC-2773390	95 X 12.5 mm	7.83
CTC-1522463	95 X 14.8 mm	68.27
CTC-3825788	95 X 25 mm	10.35
CTC-2613637	95 X 25.4 mm	31.95
CTC-3049304	95 X 29.8 mm	12.68
CTC-3049303	95 X 6 mm	46.67
CTC-4153111	95 X 6 mm	13.69
CTC-1931769	100 X 10 mm	7.27
CTC-2332589	100 X 12.5 mm	18.60
CTC-1183127	100 X 14.8 mm	21.25
CTC-2057955	100 X 14.8 mm	173.77
CTC-1438024	100 X 22.4 mm	35.70
CTC-2332588	100 X 25 mm	24.11
CTC-0931605	100 X 30 mm	14.29
CTC-1195456	100 X 30 mm	21.50
CTC-0931628	100 X 5.9 mm	89.60

WEAR RINGS

Part Number	O.D. X Width	List Price
CTC-1438033	100 X 5.9 mm	\$24.86
CTC-1438025	100 X 6 mm	20.06
CTC-1989424	100 X 6.2 mm	17.64
CTC-4161303	100 X 7.9 mm	28.11
CTC-2835953	100 X 9 mm	8.56
CTC-4161301	100 X 9.5 mm	17.34
CTC-1079306	105 x 15 mm	55.22
CTC-2835927	110 X 11 mm	38.62
CTC-3438052	110 X 14.8 mm	3.28
CTC-1438030	110 X 22.4 mm	36.56
CTC-0931603	110 X 30 mm	37.16
CTC-1195434	110 X 30 mm	31.77
CTC-A04901911	110 X 30 mm	37.16
CTC-3825756	110 X 30 mm	37.16
CTC-1057354	110 X 35 mm	33.02
CTC-1336678	110 X 35 mm	33.02
CTC-0931629	110 X 5.9 mm	97.84
CTC-1438031	110 X 5.9 mm	21.58
CTC-1438034	110 X 5.9 mm	26.48
CTC-1505846	110 X 5.9 mm	97.84
CTC-1600033	110 X 5.9 mm	97.84
CTC-1052629	110 X 5.9 mm	97.84
CTC-3825754	110 X 6 mm	8.46
CTC-4153108	110 X 6 mm	15.43
CTC-1505845	110 X 7.9 mm	14.55
CTC-2478994	110 X 7.9 mm	16.93
CTC-4161282	110 X 7.9 mm	12.10
CTC-4161279	110 X 9.5 mm	18.17
CTC-1475819	110 X 27.35 mm	18.80
CTC-1838982	115 X 6 mm	11.03
CTC-2835940	120 X 11 mm	24.63
CTC-3438053	120 X 14.8 mm	3.28
CTC-1589063	120 X 15.5 mm	27.42
CTC-1438028	120 X 22.4 mm	40.06
CTC-1475837	120 X 27.35 mm	51.13
CTC-0931604	120 X 30 mm	39.43
CTC-1195445	120 X 30 mm	33.04
CTC-3825840	120 X 30 mm	39.43
CTC-0875505	120 X 35 mm	63.25
CTC-1184130	120 X 35 mm	63.25

CATERPILLAR®

REPLACEMENT PARTS FOR CATERPILLAR® EQUIPMENT

NOTE: CATERPILLAR part numbers are used as a reference only. We do not imply that these kits are original REPLACEMENT PARTS.

WEAR RINGS

Part Number	O.D. X Width	List Price
CTC-1438027	120 X 5.9 mm	\$23.10
CTC-1438035	120 X 5.9 mm	27.41
CTC-0931630	120 X 6 mm	44.67
CTC-3825839	120 X 6 mm	34.79
CTC-0964406	120 X 7.9 mm	15.67
CTC-1261936	120 X 7.9 mm	15.67
CTC-1663003	120 X 7.9 mm	16.16
CTC-2478865	120 X 7.9 mm	15.67
CTC-0860255	120 X 8 mm	58.12
CTC-4161292	120 X 8 mm	58.12
CTC-4161290	120 X 9.5 mm	19.82
CTC-1865137	125 X 27.8 mm	36.33
CTC-0961565	125 X 8 mm	60.55
CTC-1357939	130 X 14.8 mm	27.41
CTC-3438054	130 X 14.8 mm	6.34
CTC-1704829	130 X 15 mm	61.89
CTC-1799771	130 X 18.1 mm	48.44
CTC-1475852	130 X 30 mm	50.07
CTC-1184019	130 X 40 mm	77.89
CTC-7Y4636	130 X 40 mm	77.89
CTC-1261871	130 X 7.9 mm	17.43
CTC-1475853	130 X 7.9 mm	25.77
CTC-1505884	130 X 7.9 mm	30.21
CTC-2479006	130 X 7.9 mm	17.43
CTC-4I9392	130 X 7.9 mm	17.43
CTC-0861346	130 X 8 mm	61.64
CTC-7Y4632	130 X 8 mm	61.64

WEAR RINGS

Part Number	O.D. X Width	List Price
CTC-2344483	135 X 18.1 mm	\$24.33
CTC-2344485	135 X 7.75 mm	49.87
CTC-2344585	135 X 7.9 mm	19.23
CTC-2344586	135 X 8 mm	62.79
CTC-1645168	140 X 19.5 mm	111.98
CTC-1589065	140 X 20.35 mm	68.79
CTC-1183995	140 X 45 mm	84.40
CTC-0961571	140 X 8 mm	63.59
CTC-0961800	140 X 8 mm	63.59
CTC-1076264	140 X 8 mm	63.59
CTC-1076263	140 X 9.5 mm	31.39
CTC-1211555	140 X 9.5 mm	31.39
CTC-1261877	140 X 9.5 mm	31.39
CTC-2478874	140 X 9.5 mm	31.39
CTC-4I3632	140 X 9.5 mm	31.39
CTC-3512193	150 X 14.8 mm	7.84
CTC-1873464	150 X 20 mm	37.16
CTC-1163589	150 X 45 mm	89.37
CTC-7Y4697	150 X 45 mm	89.37
CTC-1884218	150 X 7.8 mm	23.79
CTC-0961581	150 X 7.9 mm	130.32
CTC-1140713	150 X 8 mm	70.21
CTC-1140712	150 X 9.5 mm	20.06
CTC-1948357	150 X 9.5 mm	20.06
CTC-2344574	150 X 9.5 mm	20.06
CTC-5391741	160 X 7.9 mm	19.41
CTC-5391742	160 X 12.3 mm	15.64

WEAR RINGS

Part Number	O.D. X Width	List Price
CTC-1850230	160 X 20.5 mm	\$51.83
CTC-1183944	160 X 45 mm	93.88
CTC-1992095	160 X 7.9 mm	7.63
CTC-0963201	160 X 8.9 mm	173.10
CTC-1850231	160 X 8.9 mm	15.19
CTC-1057262	170 X 50 mm	130.46
CTC-1915605	170 X 9.2 mm	12.97
CTC-1438138	180 X 28 mm	71.06
CTC-1052653	180 X 55 mm	147.63
CTC-0965167	180 X 8.9 mm	164.35
CTC-1475787	180 X 8.9 mm	23.04
CTC-2042845	190 X 28.5 mm	73.91
CTC-1261974	190 X 55 mm	117.56
CTC-1261976	190 X 8.9 mm	109.90
CTC-2042846	190 X 9.2 mm	18.49
CTC-1475738	200 X 28 mm	64.71
CTC-9X3570	200 X 59.8 mm	238.15
CTC-0857248	200 X 8.9 mm	229.60
CTC-1475776	200 X 9 mm	29.21
CTC-1559093	202 X 28.3 mm	81.19
CTC-1559094	202 X 9 mm	15.22
CTC-1251204	213.5 X 38 mm	94.54
CTC-1704828	220 X 15 mm	92.83
CTC-6E0496	220 X 59.8 mm	107.90
CTC-4I6443	220 X 8.9 mm	242.89

CATERPILLAR®

REPLACEMENT PARTS FOR CATERPILLAR® EQUIPMENT

NOTE: CATERPILLAR kit numbers are used as a reference only. We do not imply that these kits are original REPLACEMENT PARTS.

WIPERS

Part Number	Rod Dia.	List Price
CTC-5M6708	0.6	\$4.42
CTC-2287467	5/8	10.13
CTC-5J2274	5/8	3.61
CTC-6J2274	5/8	3.61
CTC-6J1879	3/4	3.61
CTC-0352379	7/8	5.50
CTC-1K9060	7/8	3.51
CTC-3E4124	1	5.62
CTC-6J1890	1	3.61
CTC-7K1864	1	14.11
CTC-3E4138	1-1/8	3.18
CTC-0303232	1-1/4	6.24
CTC-1890218	1-1/4	18.25
CTC-3E4125	1-1/4	6.24
CTC-3E4139	1-1/4	3.47
CTC-3E4160	1-1/4	18.25
CTC-4J8982	1-1/4	21.11
CTC-3E4140	1-3/8	3.70
CTC-3E4159	1-3/8	18.47
CTC-1672450	1-1/2	34.92
CTC-2268202	1-1/2	34.92
CTC-3E4161	1-1/2	18.65
CTC-4J8979	1-1/2	19.44
CTC-5J6795	1-1/2	4.61
CTC-8C9131	1-1/2	34.92
CTC-3E4103	1-1/2	2.22
CTC-3E4126	1-1/2	7.18
CTC-3E4141	1-1/2	4.07
CTC-4T0486	1-5/8	19.72
CTC-3E4163	1-5/8	4.32
CTC-3E4104	1-5/8	2.32
CTC-3081880	1-3/4	35.57
CTC-7U7648	1-3/4	4.55
CTC-1506739	1-3/4	35.57
CTC-2313539	1-3/4	35.57
CTC-3E4105	1-3/4	2.32
CTC-3E4162	1-3/4	20.15
CTC-4J8980	1-3/4	20.51
CTC-7J6932	1-3/4	20.15
CTC-7K9202	1-3/4	20.15

WIPERS

Part Number	Rod Dia.	List Price
CTC-8C9132	1-3/4	\$35.57
CTC-9D6582	1-3/4	20.15
CTC-1672452	1-3/4	35.57
CTC-3E4127	1-3/4	7.63
CTC-3E4142	1-3/4	4.55
CTC-3E4150	1-3/4	5.32
CTC-1672455	1-7/8	36.15
CTC-2271143	1-7/8	36.15
CTC-3G4721	1-7/8	5.35
CTC-3P1347	1-7/8	20.64
CTC-4T6777	1-7/8	21.99
CTC-1672457	2	37.26
CTC-2299382	2	37.26
CTC-2332606	2	37.26
CTC-3081845	2	37.26
CTC-1K6981	2	26.39
CTC-3E4106	2	2.36
CTC-3E4128	2	8.71
CTC-3E4143	2	4.77
CTC-3E4151	2	6.05
CTC-3E4164	2	20.90
CTC-4T0415	2	5.41
CTC-5P0093	2	6.31
CTC-5U3693	2	5.41
CTC-7K9203	2	23.22
CTC-8C9133	2	37.26
CTC-8J6416	2	20.90
CTC-9D6583	2	23.22
CTC-1506745	2-1/8	38.07
CTC-1672458	2-1/8	38.07
CTC-2271145	2-1/8	38.07
CTC-2332607	2-1/8	38.07
CTC-4T6125	2-1/8	15.29
CTC-3P1345	2-3/16	27.42
CTC-0346124	2-1/4	22.38
CTC-1672459	2-1/4	38.84
CTC-2313538	2-1/4	38.84
CTC-3E4107	2-1/4	2.51
CTC-4J3515	2-1/4	23.41
CTC-6J0217	2-1/4	5.73

WIPERS

Part Number	Rod Dia.	List Price
CTC-7K9204	2-1/4	\$22.38
CTC-8C9134	2-1/4	38.84
CTC-3E4129	2-1/4	9.16
CTC-3E4144	2-1/4	5.04
CTC-3E4152	2-1/4	6.37
CTC-3E4165	2-1/4	22.38
CTC-1672461	2-3/8	40.32
CTC-2313540	2-3/8	40.32
CTC-3E4167	2-3/8	5.04
CTC-3P1461	2-3/8	19.18
CTC-5J8016	2-3/8	6.01
CTC-6J3892	2-3/8	19.33
CTC-8T1308	2-3/8	19.18
CTC-9J1319	2-3/8	19.33
CTC-1672463	2-1/2	41.84
CTC-2253281	2-1/2	41.84
CTC-2271148	2-1/2	25.96
CTC-7J8273	2-1/2	25.75
CTC-1K6982	2-1/2	25.75
CTC-3E4130	2-1/2	9.64
CTC-3E4153	2-1/2	6.71
CTC-5J8156	2-1/2	6.39
CTC-7K9205	2-1/2	25.33
CTC-8C3840	2-1/2	41.84
CTC-9D6585	2-1/2	25.33
CTC-3E4108	2-1/2	2.83
CTC-3E4145	2-1/2	5.04
CTC-3E4166	2-1/2	25.33
CTC-1672464	2-5/8	35.96
CTC-1U4021	2-5/8	35.96
CTC-2271146	2-5/8	35.96
CTC-3E4131	2-5/8	10.27
CTC-3G4719	2-5/8	6.39
CTC-7K9207	2-5/8	25.75
CTC-9D6586	2-5/8	25.75
CTC-9X3569	2-5/8	35.96
CTC-1491488	2-3/4	44.31
CTC-2253283	2-3/4	44.31
CTC-1J3540	2-3/4	31.24
CTC-3E4168	2-3/4	28.68

CATERPILLAR®

REPLACEMENT PARTS FOR CATERPILLAR® EQUIPMENT

NOTE: CATERPILLAR part numbers are used as a reference only. We do not imply that these kits are original REPLACEMENT PARTS.

WIPERS

Part Number	Rod Dia.	List Price
CTC-5J7036	2-3/4	\$6.59
CTC-7K9208	2-3/4	28.68
CTC-7J8274	2-3/4	31.24
CTC-7U4137	2-3/4	6.59
CTC-8C3842	2-3/4	44.31
CTC-9D6588	2-3/4	28.68
CTC-1672467	2-3/4	44.31
CTC-3E4109	2-3/4	3.00
CTC-3E4132	2-3/4	11.03
CTC-3E4169	2-3/4	5.80
CTC-1672469	3	45.77
CTC-2253284	3	45.77
CTC-2J1411	3	34.23
CTC-3E4110	3	3.49
CTC-3E4133	3	12.39
CTC-3E4146	3	6.07
CTC-3E4154	3	8.58
CTC-3E4170	3	29.50
CTC-5J7030	3	6.85
CTC-5P4061	3	25.01
CTC-7K9209	3	29.50
CTC-8C5218	3	45.77
CTC-8J0249	3	34.23
CTC-9D6589	3	29.50
CTC-2313542	3	45.77
CTC-3124247	3	45.77
CTC-3G5050	3-1/8	26.27
CTC-5P4196	3-1/8	26.27
CTC-5P4976	3-1/8	26.27
CTC-1672471	3-1/4	47.08
CTC-7J7732	3-1/4	34.97
CTC-2253285	3-1/4	47.08
CTC-3465199	3-1/4	47.08
CTC-3E4173	3-1/4	28.54
CTC-5J7034	3-1/4	7.61
CTC-6J4169	3-1/4	34.97
CTC-7K9211	3-1/4	28.68
CTC-8T8389	3-1/4	47.08
CTC-3E4171	3-3/8	7.83
CTC-3G5052	3-3/8	22.78

WIPERS

Part Number	Rod Dia.	List Price
CTC-5P1177	3-3/8	\$22.78
CTC-3E4111	3-3/8	4.16
CTC-3119318	3-1/2	48.24
CTC-1433672	3-1/2	48.24
CTC-1672474	3-1/2	48.24
CTC-2253286	3-1/2	48.24
CTC-3E4147	3-1/2	6.90
CTC-3E4176	3-1/2	39.35
CTC-4J8981	3-1/2	48.24
CTC-5J7032	3-1/2	7.83
CTC-7K9212	3-1/2	39.35
CTC-7K9213	3-1/2	33.03
CTC-8C5219	3-1/2	48.24
CTC-9D6591	3-1/2	28.68
CTC-3E4112	3-1/2	4.21
CTC-3E4134	3-1/2	14.68
CTC-3E4155	3-1/2	10.18
CTC-5U3529	3-1/2	7.83
CTC-3465196	3-3/4	49.10
CTC-2271149	3-3/4	49.10
CTC-3E4113	3-3/4	4.46
CTC-3E4172	3-3/4	8.01
CTC-4T5540	3-3/4	9.10
CTC-5P5322	3-3/4	47.34
CTC-7K9214	3-3/4	47.34
CTC-8C9135	3-3/4	49.10
CTC-8J6069	3-3/4	34.90
CTC-9J1325	3-3/4	34.90
CTC-1389739	4	8.99
CTC-1672482	4	49.43
CTC-2253287	4	49.43
CTC-3E4114	4	4.69
CTC-3E4135	4	19.15
CTC-3E4148	4	8.99
CTC-3E4156	4	11.26
CTC-3E4177	4	55.42
CTC-5J2221	4	10.21
CTC-5P0067	4	56.95
CTC-7J5673	4	44.77
CTC-7K9216	4	55.42

WIPERS

Part Number	Rod Dia.	List Price
CTC-7K9217	4	\$56.95
CTC-8C5220	4	49.43
CTC-3119321	4	49.43
CTC-2253288	4-1/4	61.86
CTC-3E4115	4-1/4	4.95
CTC-4T1637	4-1/4	10.57
CTC-5P3193	4-1/4	45.72
CTC-7J8942	4-1/4	57.41
CTC-3G5053	4-3/8	68.02
CTC-5P1176	4-3/8	68.02
CTC-2253289	4-1/2	69.85
CTC-2951315	4-1/2	69.85
CTC-3358966	4-1/2	69.85
CTC-3E4116	4-1/2	5.08
CTC-3E4136	4-1/2	22.32
CTC-3E4178	4-1/2	76.80
CTC-3G8505	4-1/2	11.43
CTC-3J4458	4-1/2	76.80
CTC-7K9218	4-1/2	45.99
CTC-3E4157	4-1/2	12.51
CTC-3E4117	4-3/4	5.29
CTC-7J9256	4-3/4	62.63
CTC-7K9219	4-3/4	61.13
CTC-0903016	5	53.30
CTC-1211596	5	27.79
CTC-2892931	5	15.98
CTC-3E4118	5	6.24
CTC-3E4137	5	24.98
CTC-3E4149	5	14.07
CTC-3E4158	5	14.80
CTC-7K9220	5	61.13
CTC-8J4520	5	83.13
CTC-9J2547	5	15.98
CTC-9X3582	5	83.28
CTC-3469383	5	83.28
CTC-4T5663	5-1/4	19.73
CTC-3E4119	5-1/4	6.33
CTC-1525063	5-1/2	52.35
CTC-9X3573	5-1/2	52.35
CTC-6J3073	5-1/2	46.33

CATERPILLAR®

REPLACEMENT PARTS FOR CATERPILLAR® EQUIPMENT

NOTE: CATERPILLAR kit numbers are used as a reference only. We do not imply that these kits are original REPLACEMENT PARTS.

WIPERS

Part Number	Rod Dia.	List Price
CTC-1211604	5-3/4	\$51.61
CTC-9J5469	5-3/4	54.50
CTC-3E4120	5-3/4	7.58
CTC-1672497	6	41.93
CTC-1U2708	6	23.48
CTC-2253294	6	41.93
CTC-3E4121	6	7.93
CTC-3J7622	6	113.09
CTC-9J1697	6	113.09
CTC-9X7255	6	41.93
CTC-2253295	6-1/2	43.87
CTC-3E4122	6-1/2	8.38
CTC-5P2322	6-1/2	111.09
CTC-5P2672	6-1/2	36.81
CTC-6J0542	6-1/2	87.85
CTC-7J2806	6-1/2	87.37
CTC-8J1877	6-1/2	87.37
CTC-9X7323	6-1/2	43.87
CTC-3J4460	6-3/4	84.96
CTC-8C9146	6-3/4	111.09
CTC-3E4123	6-3/4	8.53
CTC-2J4779	7	198.10
CTC-5J2682	7	80.98
CTC-8C9136	7	102.88
CTC-9X7333	7	198.10
CTC-9X7366	7	80.98
CTC-2253296	7	102.88
CTC-3469382	7	102.88
CTC-1080134	7-1/4	207.96
CTC-1672501	7-1/4	207.96
CTC-2253297	7-1/4	207.96
CTC-4T4802	7-1/4	24.94
CTC-1080132	7-1/2	223.00
CTC-2253298	7-1/2	223.00
CTC-2892930	7-1/2	98.19
CTC-7J3320	7-1/2	98.19
CTC-1214172	7-3/4	30.96
CTC-2253299	8	179.10
CTC-7X4786	8	146.13
CTC-8J9934	8-1/2	58.60

WIPERS

Part Number	Rod Dia.	List Price
CTC-2892957	9	\$258.97
CTC-6J7694	9	38.13
CTC-9X7354	9	258.97
CTC-1U4625	11	53.12
CTC-9X7353	11	160.44
CTC-9X7368	11	53.12
CTC-4T4130	12-1/2	123.12
CTC-9X7352	12-1/2	167.56
CTC-9X7369	12-1/2	123.12
CTC-9X7350	13-1/2	172.00
CTC-9X7370	13-1/2	260.68
CTC-1449480	30 mm	24.54
CTC-1402392	35 mm	25.17
CTC-1404934	35 mm	20.03
CTC-0546560	36 mm	7.44
CTC-1921161	40 mm	24.15
CTC-2047233	40 mm	15.23
CTC-1449492	40 mm	25.66
CTC-1754734	40 mm	24.48
CTC-4784173	40 mm	22.40
CTC-3382412	40 mm	12.12
CTC-6R8716	40 mm	4.97
CTC-1920625	45 mm	26.32
CTC-1930789	45 mm	10.77
CTC-1991137	45 mm	26.57
CTC-2034038	45 mm	10.77
CTC-1410713	45 mm	26.28
CTC-1461086	45 mm	26.57
CTC-1980662	45 mm	5.45
CTC-2330617	45 mm	11.60
CTC-2508702	45 mm	26.57
CTC-3382413	45 mm	12.57
CTC-3944851	45 mm	26.57
CTC-0993929	50 mm	41.97
CTC-1465884	50 mm	26.91
CTC-1708824	50 mm	26.91
CTC-1921171	50 mm	27.64
CTC-1931374	50 mm	41.97
CTC-2034022	50 mm	41.97
CTC-0957101	50 mm	26.47

WIPERS

Part Number	Rod Dia.	List Price
CTC-1163393	50 mm	\$41.97
CTC-1463958	50 mm	26.91
CTC-2330619	50 mm	12.38
CTC-2725681	50 mm	41.97
CTC-2774129	50 mm	26.91
CTC-3944845	50 mm	26.91
CTC-4784175	50 mm	25.79
CTC-3295790	50 mm	11.46
CTC-3382414	50 mm	12.72
CTC-1708774	55 mm	32.04
CTC-3295791	55 mm	14.62
CTC-3743664	55 mm	32.04
CTC-0996995	55 mm	30.24
CTC-1163392	55 mm	30.24
CTC-1659280	55 mm	22.21
CTC-2330625	55 mm	13.36
CTC-2725644	55 mm	12.70
CTC-2773381	55 mm	32.04
CTC-4784176	55 mm	21.31
CTC-0961884	60 mm	15.95
CTC-0931433	60 mm	9.34
CTC-0931435	60 mm	32.77
CTC-1163391	60 mm	32.77
CTC-1183119	60 mm	4.40
CTC-1659281	60 mm	22.74
CTC-2330618	60 mm	22.34
CTC-3743665	60 mm	34.73
CTC-4784177	60 mm	22.52
CTC-3382415	60 mm	13.62
CTC-1095257	63 mm	17.47
CTC-3743666	65 mm	36.81
CTC-0957102	65 mm	14.63
CTC-1163390	65 mm	34.75
CTC-1460741	65 mm	29.65
CTC-1659282	65 mm	24.44
CTC-1948332	65 mm	36.81
CTC-A04501417	65 mm	34.75
CTC-4784178	65 mm	23.65
CTC-3382416	65 mm	14.40
CTC-2258698	70 mm	30.30

CATERPILLAR®

REPLACEMENT PARTS FOR CATERPILLAR® EQUIPMENT

NOTE: CATERPILLAR part numbers are used as a reference only. We do not imply that these kits are original REPLACEMENT PARTS.

WIPERS

Part Number	Rod Dia.	List Price
CTC-3743667	70 mm	\$39.51
CTC-4161295	70 mm	39.51
CTC-0931434	70 mm	11.82
CTC-0931436	70 mm	37.30
CTC-0931439	70 mm	15.33
CTC-1163389	70 mm	37.30
CTC-1659283	70 mm	39.51
CTC-1982952	70 mm	39.51
CTC-2782324	70 mm	28.37
CTC-8Q5891	70 mm	30.30
CTC-A04501418	70 mm	37.30
CTC-4784179	70 mm	24.36
CTC-3382417	70 mm	14.84
CTC-3743668	75 mm	42.47
CTC-0965119	75 mm	16.26
CTC-1163388	75 mm	40.10
CTC-1659284	75 mm	42.47
CTC-4161273	75 mm	42.47
CTC-A04501419	75 mm	40.10
CTC-1764890	75 mm	40.10
CTC-4784180	75 mm	24.82
CTC-0931440	80 mm	16.68
CTC-0931379	80 mm	18.70
CTC-0990121	80 mm	47.29
CTC-1163387	80 mm	47.29
CTC-1505841	80 mm	50.10
CTC-1659285	80 mm	50.10
CTC-1982954	80 mm	47.29
CTC-2330637	80 mm	26.52
CTC-3743669	80 mm	50.10
CTC-4161284	80 mm	50.10
CTC-4784181	80 mm	24.89
CTC-A04501420	80 mm	47.29
CTC-0940707	85 mm	16.59
CTC-1140644	85 mm	53.67
CTC-1211611	85 mm	16.59
CTC-1540729	85 mm	56.86
CTC-1659286	85 mm	16.59
CTC-2330622	85 mm	34.40
CTC-7Y5115	85 mm	53.67

WIPERS

Part Number	Rod Dia.	List Price
CTC-4161312	85 mm	\$16.59
CTC-4560192	85 mm	16.59
CTC-2829598	90 mm	30.62
CTC-0931441	90 mm	58.02
CTC-1163386	90 mm	58.02
CTC-1261885	90 mm	61.48
CTC-1540749	90 mm	61.48
CTC-1659287	90 mm	61.48
CTC-1661495	90 mm	40.12
CTC-1672473	90 mm	61.48
CTC-1793046	90 mm	58.02
CTC-7X4803	90 mm	40.12
CTC-4560193	90 mm	61.48
CTC-4784183	90 mm	25.05
CTC-3512180	90 mm	22.39
CTC-1140645	95 mm	40.26
CTC-1359054	95 mm	31.94
CTC-1505828	95 mm	17.23
CTC-1659288	95 mm	17.23
CTC-2330624	95 mm	38.42
CTC-2590655	95 mm	31.94
CTC-4560194	95 mm	17.23
CTC-5563010	95 mm	19.00
CTC-7Y4626	95 mm	40.26
CTC-0931437	100 mm	60.92
CTC-0944057	100 mm	15.08
CTC-0960059	100 mm	60.92
CTC-1076254	100 mm	60.92
CTC-1140646	100 mm	60.92
CTC-1336904	100 mm	15.08
CTC-1540736	100 mm	15.08
CTC-1659289	100 mm	15.08
CTC-1672480	100 mm	64.55
CTC-9X4597	100 mm	49.67
CTC-4560195	100 mm	15.08
CTC-1982953	100 mm	60.92
CTC-7Y4667	105 mm	23.99
CTC-1140647	105 mm	58.87
CTC-1336813	105 mm	62.36
CTC-1336909	105 mm	31.14

WIPERS

Part Number	Rod Dia.	List Price
CTC-1540767	105 mm	\$62.36
CTC-1659290	105 mm	62.36
CTC-1672483	105 mm	62.36
CTC-4560196	105 mm	31.14
CTC-1119957	110 mm	62.41
CTC-1336814	110 mm	66.11
CTC-1659291	110 mm	18.74
CTC-3033489	110 mm	63.77
CTC-7Y4940	110 mm	62.41
CTC-A04903618	110 mm	62.41
CTC-1915648	115 mm	28.78
CTC-2095877	115 mm	28.78
CTC-1659292	125 mm	37.69
CTC-1704830	125 mm	40.25
CTC-0965536	130 mm	38.61
CTC-1119958	130 mm	74.73
CTC-1362443	130 mm	74.73
CTC-1659293	130 mm	79.17
CTC-1672494	140 mm	81.12
CTC-1076615	140 mm	76.56
CTC-1659294	140 mm	81.12
CTC-1672496	150 mm	85.06
CTC-1076616	150 mm	80.28
CTC-1659296	150 mm	85.06
CTC-7Y0975	150 mm	80.28

CATERPILLAR®

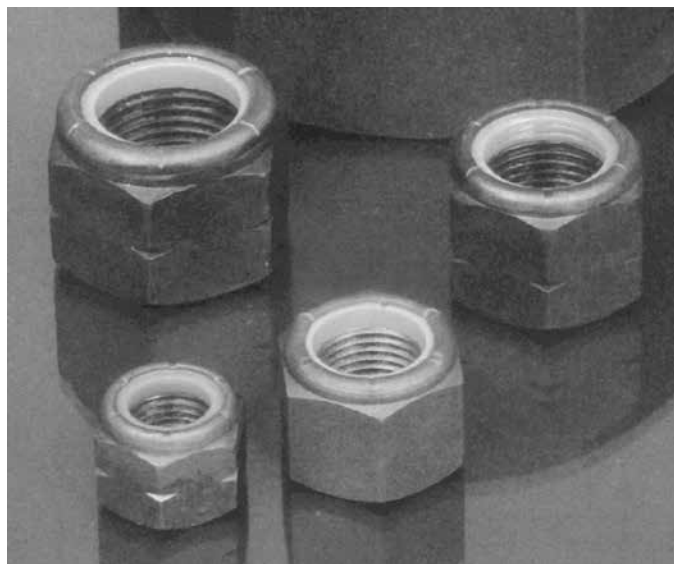
REPLACEMENT PARTS FOR CATERPILLAR® EQUIPMENT

NOTE: CATERPILLAR part numbers are used as a reference only. We do not imply that these kits are original REPLACEMENT PARTS.

“NYLON INSERT” LOCKING NUTS

Manufactured from the finest quality steel to offer superior strength, Hercules Sealing Products locking nuts with nylon inserts are specifically designed and manufactured to exact dimensions. The high temperature locking inserts are designed to withstand the high temperatures associated with close tolerance performance applications.

Part Number	Thread Size & Pitch	Height	Flats	List Price
CTC-2J0564	2 - 12	1-5/8	3-1/8	\$79.36
CTC-2J3247	1-3/4 - 12	1-7/16	2-3/4	74.34
CTC-2J3950	1-1/2 - 12	1-5/16	2-3/8	51.10
CTC-2J6384	1-1/4 - 12	1-1/8	2	45.53
CTC-2J7686	2-1/2 - 12	2-3/16	4	366.37
CTC-3J6899	2-1/4 - 12	2-13/16	3-1/2	231.37
CTC-3J9449	2-1/2 - 12	2-5/8	4	342.42
CTC-3J9545	2 - 12	2-7/16	3-1/8	212.94
CTC-4J6888	2-3/4 - 12	2-1/4	4	216.46
CTC-4J8734	2-3/4 - 12	3-1/8	4	413.85
CTC-5J3488	2-1/4 - 12	1-15/16	3-1/2	168.97
CTC-5J5731	1-3/4 - 12	1-7/16	2-1/2	47.67
CTC-7J9250	3-1/4 - 12	3-1/8	4-1/2	442.57
CTC-9X6017	3-1/4 - 12	3-1/2	5-1/4	416.33
CTC-9X6018	4 - 12	3.73	5.62	928.92
CTC-1438149	M48 × 2	50 mm	75 mm	197.85
CTC-1438150	M56 × 2	56 mm	85 mm	207.94
CTC-1336686	M56 × 2	57 mm	80 mm	227.36
CTC-1475835	M64 × 2	63 mm	95 mm	279.51
CTC-7Y4622	M72 × 2	70 mm	105 mm	493.24
CTC-7Y4695	M80 × 2	76 mm	115 mm	494.70
CTC-1232060	M80 × 2	64 mm	115 mm	350.73
CTC-1232112	M90 × 2	76 mm	130 mm	620.79
CTC-7Y4956	M90 × 2	84 mm	130 mm	592.39
CTC-0875385	M95 × 2	88 mm	135 mm	737.76
CTC-1261971	M100 × 2	89 mm	146 mm	1,015.69
CTC-1163513	M105 × 2	97 mm	150 mm	1,172.30
CTC-1163516	M120 × 2	108 mm	170 mm	1,409.06



REPLACEMENT KITS FOR CATERPILLAR® EQUIPMENT

NOTE: CATERPILLAR part numbers are used as a reference only. We do not imply that these kits are original REPLACEMENT KITS.

CAT D-RING KIT

This handy kit, in an unbreakable box, contains the 9 most popular sized D-Rings used on CATERPILLAR equipment.

Part Number: CTC-4C4784
List Price: \$212.78



CAT SILICONE O-RING KIT

This handy kit, in an unbreakable box, contains 149 silicone O-Rings in the 32 most popular sizes used on CATERPILLAR equipment.

Part Number: CTC-4C8253
List Price: \$ 573.21



CAT NITRILE O-RING KIT

This handy kit, in an unbreakable box, contains 570 nitrile O-Rings in the 32 most popular sizes used on CATERPILLAR equipment.

Part Number: CTC-4C4782
List Price: \$359.54



CAT KIT FACE KIT

This handy kit contains a total of 120 90 Durometer O-Rings in 8 different sizes.

Part Number: CTC-4C5859
List Price: \$105.92



CAT FLANGE KIT

This handy kit contains the 6 most popular sized flange seals O-Rings used on CATERPILLAR equipment.

Part Number: CTC-2701545
List Price: \$55.25



CATERPILLAR®

REPLACEMENT KITS FOR CATERPILLAR TOWMOTOR LIFT TRUCKS

NOTE: If you can locate the cylinder group number, it can aid in identifying the proper kit.

Kit Number	Code (Pg. xiv)	Rode X Bore Size	List Price	Kit Number	Code (Pg. xiv)	Rode X Bore Size	List Price
TM-1033947	I-U-10	40 X 90 mm	\$95.03	TM-396848	P-UB-11	1-1/4 X 3	\$55.23
TM-1040763	P-U-1	70 mm	74.68	TM-396849	I-V-8	2 X 5.025	87.47
TM-1040900	I-U-10	37 X 71 mm	51.21	TM-659060	O-RINGS		9.31
TM-1040948	P-U-1	35 mm	38.00	TM-690003	I-U-5	2 X 5	134.22
TM-1041095	P-U-1	40 x 50 mm	126.26	TM-691389	I-OB-3	1-1/2 X 2-1/2	28.92
TM-1042519	P-U-1	85 X 100 mm	88.45	TM-693683	O-RINGS		11.12
TM-1042609	P-U-4	45 X 55 mm	94.62	TM-694526	I-UB-5	2 X 5	128.61
TM-1146727	P-U-14	50 X 110 mm	137.94	TM-694527	I-UB-5	2-1/2 X 6	142.22
TM-206398	RETAINER RING		1.01	TM-694528	I-U-4,10	2 X 4-1/2	87.28
TM-324908	I-V-8	2 X 4.525	83.01	TM-695522	I-UB-5	1-1/4 X 3-1/2	92.36
TM-375427	I-U-11	1 X 2-1/2	22.54	TM-695523	I-UB-5	1-1/2 X 4	110.24
TM-376968	I-U-1	2-1/2 Rod	44.11	TM-901523	I-U-1	2-1/2, 3-1/4, 4 Stages	201.81
TM-388594-6	P-UB-10	1-1/2 X 3-1/2	53.79	TM-905761	P-U-1	3-1/8, 4-3/8 Stages	262.78
TM-396743	I-P-N-8	3 X 4.025	119.11	TM-905771	P-U-1	2-3/8, 4-3/8 Stages	212.83
TM-396744	I,P-U-8	2-1/2 X 3.525	53.45	TM-905961	VALVE KIT		14.99
TM-396746	I,P-U-1	2-1/4, 3-1/4, 4-1/8 Stages	183.42	TM-905962	VALVE KIT		7.03
TM-396747	P-U-8	3 X 3.525	73.40	TM-906496	I-U-10	3 X 4	71.72
TM-396748	I-U-8	3 X 4.025	67.81	TM-911700	I-U-1	75 mm Rod Kit	59.91
TM-396749	P-U-1	3-1/8, 4-3/8, 5 Stages	311.77	TM-911701	I-U-1	50 mm Rod Kit	63.70
TM-396750	P-U-1	2-3/16 X 2-1/2	62.79	TM-911725	I-N-10	25 X 50 mm	61.88
TM-396751	P-U-8	3-3/4 X 5.025	112.89	TM-911726	I-U-10	35 X 80 mm	76.83
TM-396752	I-U-8	2-5/8 X 3.025	80.98	TM-911956	P-U-1	1-5/8 Rod Kit	30.62
TM-396754	I-U-8	2-1/2 X 3.025	53.19	TM-912067	P-UB-10	1-1/4 X 3	41.26
TM-396755	I-U-8	3 X 3.525	64.53	TM-912711	P-U-1	2-3/8 Rod Kit	47.59
TM-396756	I-P-1-8	3 X 4.025	98.24	TM-912748	P-U-1	2-3/8 Rod Kit	47.72
TM-396757	P-U-1	2-3/8, 4-3/8, 5-3/4 Stages	290.91	TM-914206	P-UB-10	2 X 4-1/2	86.90
TM-396758	I-P-U-1	1-7/8, 2-3/4, 3-5/8 Stages	159.01	TM-914634	I-U-1	3-3/4" Rod	52.48
TM-396759	I-V-1	2.700, 3.450, 5.700 Stgs.	199.38	TM-914635	I-U-10	2 X 2-1/2	90.89
TM-396760	I-V-1	2.200, 2.950, 4.700 Stgs.	155.06	TM-914636	N-U-10	4 X 4-1/2	136.36
TM-396761	I,P-N-8	3 X 5.025	135.61	TM-917170	U-SEAL	4-3/8	37.95
TM-396801	P-U-1	3-3/8, 4-3/8, 5 Stages	345.58	TM-917174	U-SEAL	2-1/4	10.24
TM-396842	P-UB-10	1-1/2 X 3-1/2	52.04	TM-917175	U-SEAL	3-1/4	14.18
TM-396843	P-U-11	1-1/2 X 3-1/2	39.65	TM-917177	U-SEAL	2-3/4	12.23
TM-396844	P-UB-11	1-1/2 X 3-1/2	41.55	TM-918024	P-U-4	150 X 180 mm	489.92
TM-396845	I-U-11	1-1/4 X 3	30.95	TM-919851	P-U-15	120 X 180 mm	867.77
TM-396846	P-UB-10	2 X 4-1/2	117.02	TM-920666	I-U-1	50 mm Rod Kit	52.11
TM-396847	I-V-8	2 X 4.525	76.15	TM-923282	I-U-10	2 X 2-1/2	144.03

CHAMPION MOTOR GRADER

Kit Number	Code (Pg. xiv)	Rode X Bore Size	List Price
CHMP-26408	I-U-5	1-3/8 X 3	\$63.32
CHMP-26409	I-U-5	2 X 4	91.33
CHMP-26410	I-U-5	2 X 5	123.52

CHAR-LYNN SEAL KITS

CHAR-LYNN Model Identification

XXX - XXX - XXX
 Product - Product - Engineering
 Line Identification Change Code

OEM Kit Number	Series	Description	Model Number	List Price	Hercules Brand Kit Number	List Price
CHR-6405	10,000 Note: The -002 and -003 bearingless motors use 4 seals while the -004 motor uses 3 seals. Note: This kit is not applicable to 10,000 series two speed motors.	Motor Seal Kit	119-XXXX-002;-003;-004 120-XXXX-002;-003;-004 121-XXXX-002;-003;-004	\$145.70	CHR-6405-HSP	\$72.93
CHR-6406	10,000 Note: Applicable to 10,000 series two speed motors.	Shaft Seal Kit	119-XXXX-001;-002;-003;-004 120-XXXX-002;-003;-004	157.01	CHR-6406-HSP	40.60
CHR-60023	H A	Buna N Seal Kit	101-XXXX-007 130-XXXX-001	127.99	CHR-60023-HSP	75.95
CHR-60026	S	Buna N Seal Kit	103-XXXX-007	127.93	CHR-60026-HSP	57.14
CHR-60036	H	Buna N Seal Kit	101-XXXX-005	100.17	CHR-60036-HSP	33.29
CHR-60042	S	Buna N Seal Kit	103-XXXX-006	128.97	CHR-60042-HSP	78.72
CHR-60533	S	Buna N Seal Kit	103-XXXX-008	123.15	CHR-60533-HSP	49.10
CHR-60539	S	Buna N Seal Kit	103-XXXX-009;-010	147.02	CHR-60539-HSP	66.10
CHR-60540	A H	Buna N Seal Kit	130-XXXX-002;-003 101-XXXX-008;-009	140.41	CHR-60540-HSP	61.00
CHR-61104	6000	Shaft Seal Kit	112-XXXX-002;-003;-004 113-XXXX-002;-003;-004	256.94	CHR-61104-HSP	94.17
CHR-61105	6000	Rear Motor Kit	112-XXXX-002;-003;-004 113-XXXX-002;-003;-004	86.14	CHR-61105-HSP	56.10
CHR-61234	4000	Rear Motor Kit	109-XXXX-004; 110-XXXX-004	86.55	CHR-61234-HSP	52.09
	4000	Motor Seal Kit	109-XXXX-004; 110-XXXX-004		CHR-61235-HSP	62.82
CHR-61236	4000	Shaft Seal Kit	109-XXXX-004; 110-XXXX-004	137.11	CHR-61236-HSP	82.14
CHR-61237	6000	Shaft Seal Kit	112-XXXX-005; 113-XXXX-005	136.35	CHR-61237-HSP	83.12
CHR-61238	6000	Rear Motor Kit	112-XXXX-005; 113-XXXX-005	106.83	CHR-61238-HSP	74.79
CHR-61252	2000 Note: Not for 106- Bearingless motors.	Buna N Seal Kit	104-XXXX-003;-004;-005 105-XXXX-003;-004;-005	196.90	CHR-61252-HSP	118.26
CHR-61258	2000	Buna N Seal Kit	104-XXXX-006; 105-XXXX-006	203.31	CHR-61258-HSP	118.72
CHR-61259	2000 Note: Does not fit 106-XXXX-003;-004;-005 motors	Buna N Seal Kit	106-XXXX-006	96.13	CHR-61259-HSP	51.16
CHR-61281	4000	Shaft Seal Kit	109-XXXX-006; 110-XXXX-006; 111-XXXX-006	222.56	CHR-61281-HSP	93.71
CHR-64417	Steering unit with external shaft	Buna N Seal Kit		78.33	CHR-64417-HSP	28.89
CHR-64418	Steering unit with internal spline	Buna N Seal Kit		149.85	CHR-64418-HSP	28.45

CHAR-LYNN - CHIEF

CHIEF CYLINDERS

Repair parts for Chief Cylinders are available online at www.HerculesUS.com or by contacting the Hercules Sales Team at the information provided below.

CLARK LIFT TRUCKS

NOTE: A CLARK deck number can positively identify the kit needed for lift cylinders. Looking at the upright (lift mechanism) from the driver's seat, the deck number is stamped on the right outer channel.

SAMPLE: MO141, HO351, FO168, etc.

ALSO NOTE: Kits with an "E" suffix contain original equipment u-seals. Kits without "E" suffix contain Hercules Sealing Products designed seals.

Kit Number	Code (Pg. xviii)	Rod X Bore Size	List Price
CLK-1795529	I-U-5	1-1/2 X 4	\$83.17
CLK-1810820	O-RINGS		14.55
CLK-1811046	I-U-10	1-1/4 X 3	34.84
CLK-1811107	I-N-4	2 X 2-1/4	36.11
CLK-1811108	I-N-4	2-1/4 X 2-1/2	27.93
CLK-1811120		1-3/4, 3-1/8 VID, 3-7/8, 5-1/4 UID	202.04
CLK-1811120-E		1-3/4, 3-1/8 VID, 3-7/8, 5-1/4 UID	327.90
CLK-1811122		2-1/8 VID, 3-7/8, 4-3/4, 6-1/2 UID	271.27
CLK-1811122-E		2-1/8 VID, 3-7/8, 4-3/4, 6-1/2 UID	377.61
CLK-1811123-E		3-1/4, 4-1/4 VID'S, 6-1/2 UID'S	398.12
CLK-1811124		2-1/8, 3-1/8 VID'S	117.34
CLK-1811125		2-1/8, 3-1/8, 4-1/2 VID'S	267.02
CLK-1811126		2-3/4, 3-3/4, 5-3/4 VID'S	282.81
CLK-1811127		2-3/4, 3-3/4, 5-3/4 VID'S	289.36
CLK-1811129	I-N-4	2-1/2 X 4	58.56
CLK-1811130		1-3/4, 2-5/8, 3-3/4 VID'S	168.93
CLK-1811131		1-3/4, 3-1/8 VID, 3-7/8, 5-1/4 UID	216.47
CLK-1811131-E		1-3/4, 3-1/8 VID, 3-7/8, 5-1/4 UID	295.38
CLK-1811132		1-3/4, 2-5/8 VID, 3-3/8, 4-1/2 UID	154.02
CLK-1811132-E		1-3/4, 2-5/8 VID, 3-3/8, 4-1/2 UID	240.32
CLK-1811133		1-3/4, 2-5/8 VID'S	80.05
CLK-1811142		1-3/4, 2-5/8, 3-3/4 VID'S	419.50
CLK-1811148		2-1/8 VID, 3-7/8, 4-3/4, 6-1/2 UID	284.51
CLK-1811148-E		2-1/8 VID, 3-7/8, 4-3/4, 6-1/2 UID	378.88
CLK-1811149	I-U-4	3-1/2 X 4-3/4	130.50
CLK-1811154	I-U-1	2-1/2 X 3-1/4	37.80
CLK-1811155	I-N-4	2-1/2 X 3	35.69
CLK-1811157	I-U-5	5 X 7	240.72
CLK-1811158	I-U-5	4-1/2 X 6	185.74
CLK-1811158-E	I-U-5	4-1/2 X 6	225.54
CLK-1811159		1-3/4, 3-1/8 VID, 3-7/8, 5-1/4 UID	204.37
CLK-1811159-E		1-3/4, 3-1/8 VID, 3-7/8, 5-1/4 UID	296.58
CLK-1811160		1-3/4, 2-5/8 VID, 3-3/8, 4-1/2 UID	152.91
CLK-1811160-E		1-3/4, 2-5/8 VID, 3-3/8, 4-1/2 UID	240.32
CLK-1811161		1-3/4, 3-1/8 VID, 3-7/8, 5-1/4 UID	205.93
CLK-1811161-E		1-3/4, 3-1/8 VID, 3-7/8, 5-1/4 UID	287.08
CLK-1811162		2-1/8, 3-1/8, 4-1/2 UID'S	219.05
CLK-1811163		2-1/8, 3-1/8, 4-1/2 VID'S	270.21
CLK-1811164		1-3/4, 2-5/8, 3-3/8, 4-5/8 UID'S	136.57
CLK-1811164-E		1-3/4, 2-5/8, 3-3/8, 4-5/8 UID'S	267.12

Kit Number	Code (Pg. xviii)	Rod X Bore Size	List Price
CLK-1811179	I-V-5	1-1/2 X 4	\$112.74
CLK-1811180	I-V-5	1-1/4 X 4	103.35
CLK-1811184	I-V-5	1-1/4 X 3	177.35
CLK-1811200	I-V-4	2 X 6	204.00
CLK-1811200-E	I-V-4	2 X 6	382.79
CLK-1811204	I-V-1	1-1/4 ROD	111.85
CLK-1811206	I-V-5	3/4 X 1-5/8	90.70
CLK-1811207	I-V-5	1 X 2	74.75
CLK-1811209	I-V-5	1 X 2-1/4	84.28
CLK-1811210	I-V-5	1-1/4 X 2-3/4	104.39
CLK-1811212	I-V-5	1-1/4 X 3-1/4	108.69
CLK-1811217	I-V-5	1-3/4 X 4-1/2	82.55
CLK-1811218	I-V-5	2 X 6	316.47
CLK-1811231	N-N-5	2.26" Piston Kit	56.10
CLK-1811244	I-U-10	1-1/8 X 2-1/4	36.32
CLK-1811275	I-V-5	1-1/2 X 4	85.29
CLK-1811309	I-U-10	1 X 3	19.43
CLK-1811314		1-3/4 VID, 3-1/8, 3-7/8, 5-1/4 UID	179.12
CLK-1811314-E		1-3/4 VID, 3-1/8, 3-7/8, 5-1/4 UID	256.06
CLK-1811315		1-3/4 VID, 3-1/8, 3-7/8, 5-1/4 UID	204.08
CLK-1811315-E		1-3/4 VID, 3-1/8, 3-7/8, 5-1/4 UID	259.79
CLK-1811327		2-1/8 VID, 3-7/8, 4-3/4, 6-1/2 UID	239.30
CLK-1811327-E		2-1/8 VID, 3-7/8, 4-3/4, 6-1/2 UID	377.18
CLK-1811369	P-U-4	60 mm X 73 mm	90.13
CLK-1811376	I-U-10	40 mm X 4"	67.47
CLK-1811392	P-U-10	1-3/4 X 3	87.79
CLK-1811393	I-U-10	40 mm X 4"	74.66
CLK-1811415	P-U-4	60 X 78 mm	96.04
CLK-1811537	P-U-1	60 mm	93.95
CLK-1811538	I-U-4	40 X 56 mm	79.77
CLK-1811542	I-U-10	1-3/8 X 3	43.65
CLK-1811544	I-U-10	1 X 2	73.25
CLK-1811569	P-U-10	2 X 3-3/8	66.21
CLK-1811582	I-U-10	1-1/4 X 3-1/2	40.28
CLK-1811691	P-U-1	2 X 2.450	45.98
CLK-1811697	I-U-10	1-1/4 X 3-1/2	42.38
CLK-1811719	I-U-10	40 mm X 3-1/2	48.14
CLK-1811759	I-U-10	1-1/4 X 3	41.65
CLK-1811785	I-U-10	40 mm x 3-1/2	56.31
CLK-1811799	I-U-10	2 X 3-3/8	106.63

CLARK

CLARK LIFT TRUCKS

Kit Number	Code (Pg. xviii)	Rod X Bore Size	List Price
CLK-1811820	I-U-10	2 X 3	\$42.33
CLK-1811828	I-U-10	2 X 3	37.40
CLK-1811852	I-U-1	3 X 3-1/2	83.11
CLK-1811855	P-U-1	60 mm X 72 mm	57.93
CLK-1811972	I-U-10	1-1/4 X 3	52.94
CLK-1813014	P-U-1	2 X 2-1/2	42.41
CLK-1813015	I-U-1	2-5/8 Rod Kit	92.95
CLK-1813016	I-U-1	3 X 3-1/2	73.65
CLK-1813017	P-U-1	60mm X 72 mm	57.93
CLK-1813023	I-U-1	40 mm X 2-3/16"	55.73
CLK-1813024	I-U-1	40 mm Rod Kit	27.81
CLK-1813032	I-U-10	50 mm X 3-3/8"	88.93
CLK-1813055	I-U-10	50 mm X 3-1/8"	93.25
CLK-1813075	I-U-10	40 mm X 3-1/2"	55.08
CLK-1813076	I-U-10	40 mm X 4"	58.86
CLK-1813082	I-U-10	50 X 86 mm	81.41
CLK-1813084	I-U-1	50 mm Rod Kit	31.97
CLK-1813176	I-U-4	60 X 73 mm	100.09
CLK-1818816	P-U-10	3/4 X 1-3/4	35.69
CLK-1818864	P-U-10	3/4 X 2	26.49
CLK-1821328	I-U-10	7/8 X 2	18.58
CLK-1830350	I-N-4	2 X 2-1/4	39.03
CLK-1830352	I-N-4	3-1/4 X 4	59.04
CLK-1830358	I-N-4	2-1/2 X 3-1/4	69.70
CLK-1830360	I-N-4	2-1/2 X 3	39.74
CLK-1830361	I-N-4	2-1/4 X 2-1/2	44.89
CLK-1830649	I-U-10	3/4 X 2-3/4	43.26
CLK-1831042	N-V-1	1-1/4" Rod Kit	12.90
CLK-1831074	I-U-10	1-3/4 X 4-1/2	57.41

Kit Number	Code (Pg. xviii)	Rod X Bore Size	List Price
CLK-1831075	I-V-1	3-1/4 Rod Kit	\$57.24
CLK-1831076	I-U-10	1-1/8 X 2-1/2	36.11
CLK-1991085	P-TR-10	2 X 4	54.28
CLK-2367420	I-U-1	2-1/4 X 3-1/4	137.60
CLK-3009626	P-U-10	25 mm X 50 mm	91.39
CLK-3986876	MOTOR KIT		38.46
CLK-841270	P-U-10	2 X 3-3/4	46.91
CLK-886547	P-TR-12	1 X 2	64.49
CLK-896505	MOTOR KIT		9.60
CLK-905074	MOTOR KIT		21.21
CLK-907984	VALVE KIT		23.99
CLK-908985	VALVE KIT		22.91
CLK-912339	P-U-1	2-1/2 X 3	51.43
CLK-914698	I-U-4	1 X 2-1/2	36.37
CLK-914703	I-O-4	1-1/4 X 3	24.31
CLK-917282	O-RING KIT		10.52
CLK-917713	N-N-10	2" Piston Kit	29.45
CLK-918886	I-U-10	2 X 3-3/8	51.92
CLK-921115A	VALVE KIT		13.95
CLK-990076	VALVE KIT		5.87
CLK-990208	SWIVEL KIT		9.39
CLK-990209	SWIVEL KIT		14.04
CLK-992511	O-RING KIT		9.62
CLK-994287	VALVE KIT		16.60
CLK-995815	SWIVEL KIT		14.04
CLK-999820	P-U-10	3/4 X 1-3/4	46.22

CLARK

**FOR CLARK-MICHIGAN CONSTRUCTION EQUIPMENT
SEE OUR LISTING OF KITS UNDER THE VOLVO SECTION IN THIS CATALOG.**

U-SEALS

Part Number	Rod Dia.	List Price
CLK-2377669	48 mm	\$24.61
CLK-2791698	50 mm	17.34
CLK-2793753	40 mm	16.25
CLK-328300	1	9.16

PISTON U-SEALS

Part Number	Bore Dia.	List Price
CLK-1650143	2.266	\$17.91

O-RINGS

Part Number	Min Pkg Qty	List Price
CLK-1301093	20	\$0.57
CLK-2825250	1	7.22

BACK-UP RINGS

Part Number	Min Pkg Qty	List Price
CLK-994384	2	\$2.82

WIPERS

Part Number	Rod Dia.	List Price
CLK-1657085	1-1/4	\$3.47

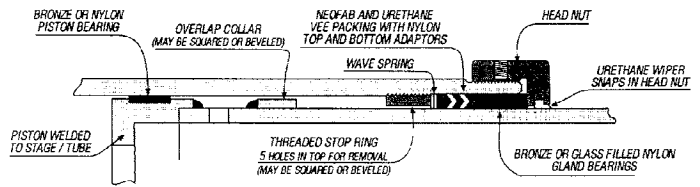
VEE SETS

Part Number	Rod Dia.	List Price
CLK-1665683	1-1/4	\$29.84

COMMERCIAL HYDRAULICS

- PACKING:** Vee packing with nylon top and bottom adaptors. 5/16" cross section.
- WIPERS:** .190 shoulder thickness on wipers.
- BEARINGS:** One above packing - may be either bronze or nylon.
- PISTON:** Welded to stage. Single action uses single nylon wear ring. Double action uses 3 cast iron piston rings and 2 nylon wear rings.
- STAGE O.D.'s:** 2.750; 3.750; 4.750; 5.750; 6.750; 7.905; 9.375
- SPECIAL INFO.:** Threaded internal stop ring. Uses wave spring under vee packing.
- IDENTIFICATION:** Cylinder number stamped on metal tag on cylinder body.
Ex: SD85MC-15-220 double acting
S85DC-40-190 single acting

COMMERCIAL



CYLINDER REBUILD KITS SINGLE ACTING DUMP BODY CYLINDERS		
Kit includes: Wiper Rings, Packing Assemblies, Bearing Rings, Piston Bearings, Wave Springs, Set Screws & Nylon Balls		
Part Number	Cyl. Model Number	List Price
CM-375-1804-017	S53	\$226.60
CM-375-1804-020	S62	207.29
CM-375-1804-018	S63	282.30
CM-375-1804-021	S64	340.61
CM-375-1804-019	S73	356.83
CM-375-1804-022	S74	465.80
CM-375-1804-023	S84	538.11
CM-375-1804-024	S85	637.11
CM-375-1804-025	S95	922.67

CYLINDER REPACK KITS SINGLE ACTING DUMP BODY CYLINDERS		
Kit includes: Wiper Rings, Packing Assemblies		
Part Number	Cyl. Model Number	List Price
CM-391-1804-020	S53	\$97.81
CM-375-1804-026	S62	118.27
CM-391-1804-109	S63	123.83
CM-391-1804-237	S64	149.01
CM-375-1804-002	S73	166.25
CM-375-1804-003	S74	198.42
CM-391-1804-054	S84	316.76
CM-391-1804-060	S85	277.71
CM-375-1804-004	S95	517.67

Part Number	Description	List Price
PACKING & WIPERS (INCLUDES SHIMS)		
CM-3VSW	2-3/4" Vee Set & Wiper	\$35.09
CM-4VSW	3-3/4" Vee Set & Wiper	36.11
CM-5VSW	4-3/4" Vee Set & Wiper	45.12
CM-6VSW	5-3/4" Vee Set & Wiper	57.50
CM-7VSW	6-3/4" Vee Set & Wiper	83.52
CM-8VSW	7.905" Vee Set & Wiper	88.83
CM-9.37VSW	9-3/8" Vee Set & Wiper	183.38

Part Number	Description	List Price
GLAND BEARINGS		
CM-275NB	2-3/4" Gland Bearing	\$23.38
CM-375NB	3-3/4" Gland Bearing	23.42
CM-475NB	4-3/4" Gland Bearing	35.91
CM-575NB	5-3/4" Gland Bearing	41.31
CM-675NB	6-3/4" Gland Bearing	43.36
CM-790NB	7.905" Gland Bearing	65.37
CM-937NB	9-3/8" Gland Bearing	142.09
GLAND BEARINGS KITS		
CM-NYB35	2-3/4" - 4-3/4" Gland Bearings	\$76.54
CM-NYB46	3-3/4" - 5-3/4" Gland Bearings	93.12
CM-NYB47	3-3/4" - 6-3/4" Gland Bearings	134.29
CM-NYB48	3-3/4" - 7.905" Gland Bearings	196.30
CM-NYB49	3-3/4" - 9-3/8" Gland Bearings	422.99
CM-NYB57	4-3/4" - 6-3/4" Gland Bearings	112.65
CM-NYB58	4-3/4" - 7.905" Gland Bearings	175.35
PISTON BEARINGS		
CM-391-2684-123	2-3/4" Piston Bearing	\$5.91
CM-391-2684-069	3-3/4" Piston Bearing	8.81
CM-391-2684-070	4-3/4" Piston Bearing	8.92
CM-391-2684-071	5-3/4" Piston Bearing	10.08
CM-391-2684-072	6-3/4" Piston Bearing	11.55
CM-391-2684-098	9-3/8" Piston Bearing	27.69
NYLON PISTON BEARINGS		
CM-U3023-32	2-3/4" Piston Bearing	\$5.91
CM-U3023-42	3-3/4" Piston Bearing	8.81
CM-U3023-52	4-3/4" Piston Bearing	8.92
CM-U3023-62	5-3/4" Piston Bearing	10.08
CM-U3023-72	6-3/4" Piston Bearing	11.55
CM-U3023-84	7.905" Piston Bearing	24.63
CM-U3023-98	9-3/8" Piston Bearing	27.69
CM-X29-1	Bleeder Valve	6.15
BRONZE PISTON BEARINGS		
CM-375-9023-038	4-3/4" Bronze Piston Bearings	\$103.95
CM-U3023-52B	4-3/4" Bronze Piston Bearings	103.95
CM-375-9023-039	5-3/4" Bronze Piston Bearings	116.44
CM-U3023-62B	5-3/4" Bronze Piston Bearings	116.44

COMMERCIAL HYDRAULICS

COMMERCIAL HYDRAULICS

Part Number	Description	List Price
BRONZE PISTON BEARINGS		
CM-375-9023-040	6-3/4" Bronze Piston Bearings	\$121.44
CM-U3023-72B	6-3/4" Bronze Piston Bearings	121.44
CM-375-9023-041	7.905" Bronze Piston Bearings	142.02
CM-U3023-84B	7.905" Bronze Piston Bearings	142.02
CM-375-9023-042	9-3/8" Bronze Piston Bearings	359.50
CM-U3023-98B	9-3/8" Bronze Piston Bearings	359.50
PISTON RINGS (Double Acting)		
CM-X78-4-25	3-3/4" Piston Ring	\$13.80
CM-X78-5-25	4-3/4" Piston Ring	18.17
CM-X78-6-25	5-3/4" Piston Ring	21.44
CM-X78-7-25	6-3/4" Piston Ring	31.75
CM-X78-8-437	7.905" Piston Ring	44.09
CM-X78-9-88	9-3/8" Piston Ring	92.97
KITS		
CM-35	2-3/4" - 4-3/4" Vee Sets & Wipers	\$97.81
CM-36	2-3/4" - 5-3/4" Vee Sets & Wipers	149.01
CM-38	2-3/4" - 7.905" Vee Sets & Wipers	302.99
CM-46	3-3/4" - 5-3/4" Vee Sets & Wipers	123.83
CM-47	3-3/4"-6-3/4" Vee Sets & Wipers	198.42
CM-48	3-3/4"-7.905" Vee Sets & Wipers	277.71
CM-49	3-3/4"-9-3/8" Vee Sets & Wipers	569.56
CM-56	4-3/4 - 5-3/4" Vee Sets & Wipers	118.27
CM-57	4-3/4"-6-3/4" Vee Sets & Wipers	166.25
CM-58	4-3/4"-7.905" Vee Sets & Wipers	316.76
CM-59	5"-9" Vee Sets & Wipers	517.67
CM-69	5-3/4"-9-3/8" Vee Sets & Wipers	404.26
CM-NPB35	2-3/4"-4-3/4" Piston Bearings	28.76
CM-NPB36	2-3/4"-5-3/4" Piston Bearings	81.44
CM-NPB46	3-3/4"-5-3/4" Piston Bearing	67.73
CM-NPB47	3-3/4"-6-3/4" Piston Bearings	47.94
CM-NPB48	3-3/4"-7.905" Piston Bearings	128.89
CM-NPB57	4-3/4"-6-3/4" Piston Bearings	37.19
CM-NPB58	4-3/4"-7.905" Piston Bearings	107.39
CM-NYB35	2-3/4"-4-3/4" Gland Bearings	76.54
CM-NYB36	2-3/4"-5-3/4" Gland Bearings	115.21
CM-NYB47	3-3/4"-6-3/4" Gland Bearings	134.29
CM-NYB48	3-3/4"-7.905" Gland Bearings	196.30
CM-NYB57	4-3/4"-6-3/4" Gland Bearings	112.65
CM-NYB58	4-3/4"-7.905" Gland Bearings	175.35
CM-NYB69	5-3/4"-9-3/8" Gland Bearings	209.53
CM-PR48	3-3/4"-7.905" Piston Rings	492.44
CM-PR58	4-3/4"-7.905" Piston Rings	430.66
CM-375-1805-062	2-3/4,3-3/4,4,3/4	451.00
THREADED STOPS		
CM-F3020	3-3/4" Threaded Stop Ring	\$292.61
CM-F4020	2-3/4" Threaded Stop Ring	132.98
CM-F5020	5-3/4" Threaded Stop Ring	148.61
CM-F6020	4-3/4" Threaded Stop Ring	145.90

Part Number	Description	List Price
THREADED STOPS		
CM-F7020	6-3/4" Threaded Stop Ring	\$192.86
CM-F9020	9-3/8" Threaded Stop Ring	796.61
CM-G8020	7.905" Threaded Stop Ring	218.66
HEAD NUTS (MEASURED AT WIPER I.D.)		
CM-MA3011-37	3-3/4" Bronze Internal Head Nut	\$173.24
CM-MA3011-47	4-3/4" Bronze Internal Head Nut	214.92
CM-MA3011-57	5-3/4" Bronze Internal Head Nut	405.94
CM-MA3011-67	6-3/4" Bronze Internal Head Nut	464.22
CM-MA3011-79	7.905" Bronze Internal Head Nut	544.18
CM-MA3011-93	9-3/8" Bronze Internal Head Nut	781.90
CM-391-1470-162	2-3/4" Steel External Head Nut	104.47
CM-YA3011-27	2-3/4" Steel External Head Nut	120.90
CM-391-1470-163	3-3/4" Steel External Head Nut	130.16
CM-YA3011-37	3-3/4" Steel External Head Nut	150.61
CM-391-1470-164	4-3/4" Steel External Head Nut	139.64
CM-YA3011-47	4-3/4" Steel External Head Nut	161.60
CM-391-1470-165	5-3/4" Steel External Head Nut	165.05
CM-YA3011-57	5-3/4" Steel External Head Nut	191.00
CM-391-1470-166	6-3/4" Steel External Head Nut	223.00
CM-YA3011-67	6-3/4" Steel External Head Nut	258.06
CM-YA3011-79	7.905" Steel External Head Nut	366.84
CM-YA3011-93	9-3/8" Steel External Head Nut	756.54
VALVE SERVICE KITS		
CM-391-1803-030	Valve Series A20 Service Kit	\$8.53
CM-391-1803-201	Valve Series A35 Service Kit	41.73
WAVE SPRINGS		
CM-P1327-27	2-3/4" Wave Spring	\$23.08
CM-391-3581-320	2-3/4" Wave Spring	23.08
CM-375-9327-003	3-1/8" Wave Spring	19.27
CM-P1327-37	3-3/4" Wave Spring	16.27
CM-391-3581-300	3-3/4" Wave Spring	16.27
CM-375-9327-008	4-1/8" Wave Spring	14.63
CM-P1327-47	4-3/4" Wave Spring	19.28
CM-391-3581-301	4-3/4" Wave Spring	19.28
CM-P1327-57	5-3/4" Wave Spring	19.43
CM-391-3581-302	5-3/4" Wave Spring	19.43
CM-P1327-67	6-3/4" Wave Spring	50.64
CM-391-3581-303	6-3/4" Wave Spring	50.64
CM-P1327-79	7.905" Wave Spring	76.44
CM-P1327-93	9-3/8" Wave Spring	280.75
CM-391-3581-310	9-3/8" Wave Spring	280.75
MISCELLANEOUS		
CM-391-1281-005	Grease Fitting 1/8 NPT	\$1.64
CM-375-2686-010	Lock Wire	14.55
CM-391-1431-121	Set Screw	1.10
CM-391-1431-141	Set Screw	1.37
CM-391-0284-004	Nylon Ball	1.89

REPLACEMENT PARTS FOR COMMERCIAL EQUIPMENT

NOTE: Commercial part numbers are used as a reference only. We do not imply that these kits are original REPLACEMENT PARTS.

BACK-UP RINGS

Part Number	Min. Pkgs.	List Price
CM-11218	10	\$1.03
CM-11224	10	1.12
CM-11228	10	1.20
CM-11232	10	1.36
CM-11236	10	1.48
CM-11252	1	3.92
CM-11322	10	1.03
CM-11326	10	1.20
CM-11330	10	1.20
CM-11334	10	1.25
CM-11336	10	1.36
CM-11338	10	1.44
CM-11339	10	1.52
CM-11342	5	1.77
CM-11343	5	1.98
CM-11346	5	2.61
CM-11347	5	2.72
CM-11350	5	3.08
CM-11351	1	3.45
CM-11354	1	3.70
CM-11355	1	3.92
CM-11358	1	4.45
CM-11359	1	4.68
CM-11364	1	5.24
CM-11368	1	5.24
CM-11425	3	3.08
CM-11429	1	4.00
CM-11433	1	4.47
CM-11439	1	5.21
CM-11443	1	7.30
CM-11448	1	13.24
CM-11450	1	14.36
CM-375-2681-031	1	5.68
CM-375-2681-041	10	1.48
CM-375-2681-042	5	3.71
CM-375-2681-049	1	4.47
CM-375-2681-050	5	3.14
CM-375-2681-056	1	5.80
CM-375-2681-063	5	1.95
CM-391-2681-016	25	0.39

BACK-UP RINGS

Part Number	Min. Pkgs.	List Price
CM-391-2681-040	1	\$5.66
CM-391-2681-041	10	1.48
CM-391-2681-064	1	4.02
CM-391-2681-068	1	5.12
CM-391-2681-070	1	5.16
CM-391-2681-074	1	6.80
CM-391-2681-075	1	6.85
CM-391-2681-081	1	8.23
CM-391-2681-090	1	8.83
CM-391-2681-261	1	5.19
CM-391-2681-303	10	0.55
CM-391-2681-320	10	0.63
CM-391-2681-326	10	0.84
CM-391-2681-330	5	2.07
CM-391-2681-331	5	2.65
CM-391-2681-354	5	2.56
CM-391-2681-389	1	8.28
CM-391-2681-409	25	0.49
CM-391-2681-410	25	0.54
CM-391-2681-413	5	1.94
CM-391-2681-419	1	5.19
CM-391-2681-420	5	2.54
CM-391-2681-436	10	1.10
CM-391-2681-450	10	1.71
CM-391-2681-551	1	8.30
CM-391-2681-572	5	2.36
CM-391-2681-574	25	0.47
CM-391-2681-576	5	2.22
CM-391-2681-578	10	1.71
CM-391-2681-639	25	0.55
CM-391-2691-001	10	0.72
CM-391-2691-002	10	0.77
CM-391-2691-008	10	1.13
CM-391-2691-016	10	1.71
CM-391-2691-028	5	3.20
CM-391-2691-034	1	4.26
CM-391-2691-040	1	5.66
CM-391-2691-043	1	6.90
CM-391-2881-450	10	1.71

BUFFER RINGS

Part Number	Rod Dia.	List Price
CM-260015	1-1/8	\$18.20
CM-375-9006-333	1-3/4	26.28
CM-26004	2	27.64
CM-375-9006-344	2	29.75
CM-26010	2-5/8	37.21
CM-375-9006-345	3	45.17
CM-26036	4	63.48
CM-375-9006-513	5	84.52
CM-375-9006-516	5	83.94
CM-375-9006-480	7	92.25

O-RINGS

Part Number	Min. Pkgs.	List Price
CM-10016	50	\$0.08
CM-10022	50	0.11
CM-10113	50	0.08
CM-10116	50	0.10
CM-10120	50	0.11
CM-10128	20	0.27
CM-10129	20	0.27
CM-10153	20	0.75
CM-10218	50	0.24
CM-10222	20	0.30
CM-10224	20	0.62
CM-10228	20	0.48
CM-10230	20	0.57
CM-10232	20	0.60
CM-10232U	2	13.72
CM-10236	20	0.75
CM-10242	10	0.91
CM-10246	10	1.29
CM-10252	10	1.48
CM-10254	5	1.74
CM-10322	20	0.34
CM-10326	20	0.37
CM-10330	20	0.64
CM-10334	20	0.83
CM-10336	10	0.97

REPLACEMENT PARTS FOR COMMERCIAL EQUIPMENT

NOTE: Commercial part numbers are used as a reference only. We do not imply that these kits are original REPLACEMENT PARTS.

O-RINGS

Part Number	Min. Pkgs.	List Price
CM-10338	10	\$1.01
CM-10339	10	1.12
CM-10342	10	1.32
CM-10343	10	1.36
CM-10346	10	1.48
CM-10347	10	1.48
CM-10350	5	1.74
CM-10351	5	1.74
CM-10354	5	2.02
CM-10355	5	2.25
CM-10358	5	2.48
CM-10359	5	2.48
CM-10364	5	3.02
CM-10368	5	3.15
CM-10425	5	1.88
CM-10429	5	2.12
CM-10433	5	2.44
CM-10439	5	3.15
CM-10443	1	3.89
CM-10448	1	4.66
CM-10450	1	5.63
CM-30337	10	1.48
CM-30345	7	1.70
CM-30349	6	1.99
CM-30427	3	3.19
CM-30431	3	3.19
CM-30434	3	3.25
CM-375-2881-025	1	4.84
CM-375-2881-033	5	4.41
CM-375-2881-038	10	1.48
CM-375-2881-039	5	3.52
CM-375-2881-043	1	3.51
CM-375-2881-044	5	3.07
CM-375-2881-047	1	4.98
CM-375-2881-048	5	1.48
CM-375-2881-051	5	2.02
CM-375-2881-052	5	2.32
CM-375-2881-056	1	5.26
CM-375-2884-002	5	1.90
CM-391-2811-371	10	2.30

O-RINGS

Part Number	Min. Pkgs.	List Price
CM-391-2881-001	30	\$0.41
CM-391-2881-002	30	0.41
CM-391-2881-003	20	0.47
CM-391-2881-004	20	0.47
CM-391-2881-005	20	0.55
CM-391-2881-006	15	0.60
CM-391-2881-007	15	0.65
CM-391-2881-008	15	1.66
CM-391-2881-009	15	0.76
CM-391-2881-010	15	0.76
CM-391-2881-012	10	0.88
CM-391-2881-013	10	0.93
CM-391-2881-014	10	0.99
CM-391-2881-015	10	1.01
CM-391-2881-016	5	1.56
CM-391-2881-017	5	1.89
CM-391-2881-018	5	1.99
CM-391-2881-019	4	2.16
CM-391-2881-020	3	2.16
CM-391-2881-021	4	2.45
CM-391-2881-022	2	3.40
CM-391-2881-023	5	1.40
CM-391-2881-024	5	1.48
CM-391-2881-025	5	1.65
CM-391-2881-027	10	1.03
CM-391-2881-028	4	1.89
CM-391-2881-029	5	1.99
CM-391-2881-030	3	1.99
CM-391-2881-031	3	2.16
CM-391-2881-032	3	2.30
CM-391-2881-033	3	2.43
CM-391-2881-034	3	2.68
CM-391-2881-035	3	2.82
CM-391-2881-036	3	3.12
CM-391-2881-037	3	3.38
CM-391-2881-038	3	3.80
CM-391-2881-039	3	4.18
CM-391-2881-040	2	4.44
CM-391-2881-041	2	4.65
CM-391-2881-042	2	5.06

O-RINGS

Part Number	Min. Pkgs.	List Price
CM-391-2881-043	2	\$6.17
CM-391-2881-044	2	6.43
CM-391-2881-046	1	8.02
CM-391-2881-048	1	9.03
CM-391-2881-049	1	9.45
CM-391-2881-050	1	10.00
CM-391-2881-051	1	11.13
CM-391-2881-052	1	12.23
CM-391-2881-053	1	13.65
CM-391-2881-054	1	15.16
CM-391-2881-055	1	16.69
CM-391-2881-056	1	22.88
CM-391-2881-095	50	0.39
CM-391-2881-096	50	0.24
CM-391-2881-100	20	0.30
CM-391-2881-102	50	0.21
CM-391-2881-113	20	0.80
CM-391-2881-114	10	0.91
CM-391-2881-117	10	1.48
CM-391-2881-124	20	0.37
CM-391-2881-140	50	0.24
CM-391-2881-142	20	0.62
CM-391-2881-146	10	1.43
CM-391-2881-153	5	1.88
CM-391-2881-154	10	1.29
CM-391-2881-165	5	2.48
CM-391-2881-167	10	0.97
CM-391-2881-172	20	0.27
CM-391-2881-187	1	4.28
CM-391-2881-189	1	4.66
CM-391-2881-197	50	0.29
CM-391-2881-215	50	0.21
CM-391-2881-230	5	2.41
CM-391-2881-232	20	0.83
CM-391-2881-237	20	0.83
CM-391-2881-263	1	16.69
CM-391-2881-280	5	3.02
CM-391-2881-321	50	0.11
CM-391-2881-322	50	0.11
CM-391-2881-323	50	0.11

REPLACEMENT PARTS FOR COMMERCIAL EQUIPMENT

NOTE: Commercial part numbers are used as a reference only. We do not imply that these kits are original REPLACEMENT PARTS.

O-RINGS

Part Number	Min. Pkgs.	List Price
CM-391-2881-324	50	\$0.11
CM-391-2881-325	50	0.11
CM-391-2881-326	50	0.11
CM-391-2881-327	50	0.12
CM-391-2881-328	50	0.12
CM-391-2881-329	50	0.16
CM-391-2881-330	50	0.16
CM-391-2881-331	50	0.16
CM-391-2881-332	50	0.16
CM-391-2881-333	50	0.18
CM-391-2881-334	50	0.31
CM-391-2881-335	50	0.31
CM-391-2881-336	50	0.34
CM-391-2881-337	50	0.35
CM-391-2881-338	50	0.35
CM-391-2881-339	50	0.39
CM-391-2881-340	50	0.39
CM-391-2881-342	20	0.47
CM-391-2881-343	20	0.49
CM-391-2881-344	20	0.54
CM-391-2881-345	20	0.54
CM-391-2881-346	20	0.60
CM-391-2881-347	20	0.78
CM-391-2881-348	20	0.78
CM-391-2881-349	20	0.83
CM-391-2881-350	20	0.88
CM-391-2881-351	20	1.05
CM-391-2881-352	20	1.12
CM-391-2881-353	10	1.18
CM-391-2881-356	10	1.46
CM-391-2881-357	10	1.59
CM-391-2881-358	10	1.67
CM-391-2881-359	10	1.72
CM-391-2881-360	10	1.89
CM-391-2881-361	10	1.99
CM-391-2881-362	50	0.12
CM-391-2881-363	50	0.12
CM-391-2881-364	5	3.76
CM-391-2881-365	1	4.61
CM-391-2881-366	1	7.40

O-RINGS

Part Number	Min. Pkgs.	List Price
CM-391-2881-367	1	\$8.47
CM-391-2881-368	10	1.67
CM-391-2881-369	10	1.72
CM-391-2881-370	5	2.33
CM-391-2881-372	5	3.60
CM-391-2881-373	5	4.44
CM-391-2881-374	1	5.64
CM-391-2881-379	1	5.69
CM-391-2881-380	1	6.22
CM-391-2881-381	1	6.55
CM-391-2881-382	1	6.98
CM-391-2881-383	1	7.26
CM-391-2881-384	1	9.61
CM-391-2881-386	1	17.49
CM-391-2881-387	1	18.10
CM-391-2881-394	3	3.72
CM-391-2881-406	1	8.12
CM-391-2881-407	5	2.67
CM-391-2881-410	1	17.01
CM-391-2881-411	10	2.16
CM-391-2881-425	1	10.46
CM-391-2881-443	50	0.26
CM-391-2881-451	20	0.88
CM-391-2881-452	1	13.42
CM-391-2881-454	50	0.11
CM-391-2881-474	1	22.06
CM-391-2881-475	1	24.63
CM-391-2881-476	20	0.78
CM-391-2881-480	20	0.44
CM-391-2881-481	10	1.09
CM-391-2881-486	5	1.66
CM-391-2881-487	2	3.15
CM-391-2881-498	20	0.47
CM-391-2881-499	20	0.57
CM-391-2881-601	2	5.67
CM-391-2881-602	2	6.92
CM-391-2881-603	10	1.01
CM-391-2881-610	5	1.69
CM-391-2881-612	3	2.25
CM-391-2881-620	2	3.98

O-RINGS

Part Number	Min. Pkgs.	List Price
CM-391-2881-632	50	\$0.26
CM-391-2881-634	50	0.13
CM-391-2881-649	10	1.12
CM-391-2881-699	2	5.32
CM-391-2881-700	1	8.88
CM-391-2881-701	1	36.16
CM-391-2881-702	1	47.49
CM-391-2881-705	5	3.95
CM-391-2881-708	2	4.02
CM-391-2881-714	1	24.21
CM-391-2881-715	1	29.79
CM-391-2881-716	1	15.61
CM-391-2881-719	40	0.41
CM-391-2881-726	1	8.24
CM-391-2881-728	10	1.18
CM-391-2881-731	1	5.31
CM-391-2881-732	10	1.62
CM-391-2881-733	1	8.32
CM-391-2881-734	1	9.20
CM-391-2881-735	20	0.74
CM-391-2881-760	5	2.76
CM-391-2881-761	10	1.37
CM-391-2881-762	1	5.26
CM-391-2881-763	20	0.95
CM-391-2881-764	5	2.45
CM-391-2881-765	20	0.78
CM-391-2881-766	10	2.27
CM-391-2881-772	10	1.20
CM-391-2881-777	10	1.40
CM-391-2881-783	20	0.88
CM-391-2881-785	50	0.30
CM-391-2881-792	50	0.16
CM-391-2881-793	50	0.12
CM-391-2881-795	50	0.30
CM-391-2881-796	50	0.30
CM-391-2881-822	50	0.10
CM-391-2881-839	50	0.13
CM-391-2882-230	10	2.05
CM-391-2882-236	50	0.13
CM-391-2882-328	20	0.75

REPLACEMENT PARTS FOR COMMERCIAL EQUIPMENT

NOTE: Commercial part numbers are used as a reference only. We do not imply that these kits are original REPLACEMENT PARTS.

O-RINGS

Part Number	Min. Pkgs.	List Price
CM-391-2884-003	12	\$0.88
CM-391-2884-029	3	4.05

PISTON RINGS

Part Number	Bore Dia.	List Price
CM-31150	1-1/2	\$8.10
CM-31201	2	12.24
CM-31202	2	11.85
CM-31203	2	14.78
CM-31251	2	11.49
CM-31252	2-1/2	11.49
CM-31302	3	11.95
CM-31303	3	12.40
CM-31304	3	12.48
CM-31321	3-1/4	11.95
CM-31322	3-1/4	11.95
CM-31323	3-1/4	12.10
CM-375-9078-024	3.49	12.56
CM-31351	3-1/2	12.56
CM-31352	3-1/2	12.56
CM-31353	3-1/2	12.56
CM-391-2681-637	3-1/2	12.56
CM-31375	3-3/4	12.94
CM-31403	3.99	21.88
CM-31402	4	12.57
CM-31404	4	13.05
CM-375-9078-025	4	12.57
CM-31423	4-1/4	13.80
CM-31452	4-1/2	13.80
CM-31453	4-1/2	14.25
CM-31454	4-1/2	14.09
CM-375-9078-026	4-1/2	13.80
CM-391-2681-636	4-1/2	14.25
CM-31475	4-3/4	14.12
CM-31502	5	14.54
CM-31503	5	14.54
CM-31504	5	22.41
CM-31512	5-1/8	21.01
CM-391-2683-019	5.26	18.17
CM-31552	5-1/2	19.63
CM-31553	5-1/2	19.63
CM-31554	5-1/2	19.63

PISTON RINGS

Part Number	Bore Dia.	List Price
CM-375-9078-016	5-1/2	\$19.63
CM-375-9078-027	5-1/2	19.63
CM-31575	5-3/4	28.53
CM-31603	6	19.84
CM-31604	6	19.84
CM-31624	6-1/4	31.10
CM-391-2683-024	6.26	21.44
CM-31653	6-1/2	22.70
CM-31654	6-1/2	22.70
CM-31703	7	26.15
CM-31704	7	35.77
CM-391-2683-029	7.26	31.75
CM-31705	7-1/2	39.31
CM-31803	8	39.78
CM-391-2683-034	8.42	44.09
CM-391-2683-042	9.88	92.97
CM-391-2683-037	10-1/2	181.62

PISTON SEALS

Part Number	Bore Dia.	List Price
CM-29112	1-1/8	\$6.84
CM-29128	1-1/4	5.66
CM-29137	1-3/8	9.54
CM-29138	1-3/8	7.66
CM-29150	1-1/2	5.89
CM-29176	1-3/4	8.89
CM-29200	2	6.37
CM-29201	2	9.92
CM-29202	2	9.92
CM-29225	2-1/4	6.62
CM-29226	2-1/4	10.55
CM-29227	2-1/4	11.11
CM-29250	2-1/2	6.70
CM-29251	2-1/2	11.04
CM-29252	2-1/2	11.20
CM-29252755	2-1/2	7.96
CM-375-9006-200	2-1/2	43.03
CM-29275	2-3/4	6.76
CM-29276	2-3/4	13.18
CM-29277	2-3/4	13.48
CM-375-9006-416	2.999	20.18
CM-29300	3	6.96

PISTON SEALS

Part Number	Bore Dia.	List Price
CM-29301	3	\$16.99
CM-29302	3	14.46
CM-29302755	3	10.07
CM-29303	3	17.76
CM-375-9006-329	3	17.76
CM-391-2683-061	3	17.76
CM-391-2881-748	3	11.52
CM-29324	3-1/4	21.11
CM-29325	3-1/4	7.07
CM-29326	3-1/4	17.91
CM-29327	3-1/4	17.16
CM-29327755	3-1/4	11.95
CM-29328	3-1/4	21.11
CM-29350	3-1/2	7.27
CM-29351	3-1/2	18.45
CM-29352	3-1/2	18.92
CM-29352755	3-1/2	12.14
CM-375-9006-245	3-1/2	23.26
CM-375-9006-334	3-1/2	112.64
CM-375-9006-417	3-1/2	16.37
CM-375-9006-458	3-1/2	20.22
CM-29375	3-3/4	7.88
CM-29376	3-3/4	18.55
CM-29377	3-3/4	21.49
CM-375-9006-172	3-3/4	26.41
CM-391-2882-329	3-3/4	16.60
CM-29400	4	8.02
CM-29401	4	18.95
CM-29402	4	23.89
CM-29402755	4	12.58
CM-29402CT	4	118.19
CM-29403	4	19.43
CM-29404	4	29.36
CM-375-9006-022	4	29.36
CM-375-9006-331	4	29.36
CM-375-9006-419	4	19.43
CM-391-2683-071	4	76.35
CM-29425	4-1/4	8.18
CM-29427	4-1/4	27.59
CM-391-2683-050	4-1/4	33.91
CM-391-2683-079	4-1/4	33.91
CM-375-9006-046	4.265	99.32
CM-29450	4-1/2	8.95
CM-29451	4-1/2	19.14
CM-29452	4-1/2	28.95
CM-29452755	4-1/2	13.07

REPLACEMENT PARTS FOR COMMERCIAL EQUIPMENT

NOTE: Commercial part numbers are used as a reference only. We do not imply that these kits are original REPLACEMENT PARTS.

PISTON SEALS

Part Number	Bore Dia.	List Price
CM-391-2683-055	4-1/2	\$35.60
CM-375-9006-256	4.627	62.28
CM-29475	4-3/4	13.92
CM-29476	4-3/4	23.33
CM-29477	4-3/4	29.85
CM-29500	5	9.99
CM-29501	5	23.73
CM-29502	5	31.26
CM-29502755	5	15.55
CM-29503	5	38.43
CM-375-9006-495	5	146.48
CM-391-2683-062	5	38.43
CM-375-9006-350	5.001	31.47
CM-375-9006-418	5.001	31.47
CM-29526	5-1/4	25.36
CM-29527	5-1/4	36.83
CM-29529	5-1/4	10.70
CM-391-2683-046	5-1/4	45.27
CM-29550	5-1/2	11.00
CM-29551	5-1/2	26.89
CM-29552	5-1/2	41.18
CM-29552755	5-1/2	21.87
CM-375-9006-211	5-1/2	97.75
CM-29575	5-3/4	11.69
CM-29576	5-3/4	32.91
CM-29577	5-3/4	44.48
CM-29600	6	12.28
CM-29601	6	37.34
CM-29602	6	47.75
CM-29602755	6	22.86
CM-29602CT	6	166.38
CM-391-2683-063	6	58.71
CM-29625	6-1/4	48.22
CM-29650	6-1/2	15.59
CM-29652	6-1/2	48.22
CM-375-9006-264	6-1/2	59.26
CM-29700	7	16.00
CM-29702	7	49.08
CM-29702755	7	23.92
CM-391-2683-080	7	60.33
CM-391-2683-044	7-1/4	60.41
CM-29752	7-1/2	49.21
CM-29800	8	16.27
CM-29802	8	54.84
CM-29802755	8	25.17
CM-391-2683-056	8	69.06

PISTON SEALS

Part Number	Bore Dia.	List Price
CM-29850	8-1/2	\$62.03
CM-29851	8-1/2	46.01
CM-375-9006-402	8-1/2	81.08
CM-29902	9	73.36
CM-29902755	9	58.69
CM-391-2683-048	9	93.25
CM-391-2683-057	9-1/2	98.13
CM-29010	10	81.65
CM-29010755	10	69.31
CM-29015	10-1/2	106.96
CM-391-2683-064	11	152.62
CM-375-9006-193	12	161.66

RETAINER RINGS

Part Number	List Price
CM-375-2685-002	\$9.48
CM-375-2686-009	6.74

ROD SEALS

Part Number	Rod Dia.	List Price
CM-391-2881-483	3/4	\$7.86
CM-391-2881-745	7/8	8.94
CM-391-2881-739	1	7.86
CM-391-2881-617	1-1/4	8.04
CM-22082-621	1-1/2	21.31
CM-391-2881-736	1-1/2	8.94
CM-391-2881-740	1-3/4	8.28
CM-22005-621	2	25.65
CM-391-2881-679	2	9.22
CM-22009-621	2-1/2	31.60
CM-391-2881-706	2-1/2	11.45
CM-391-2881-743	2-3/4	13.04
CM-22031-621	3	37.52
CM-391-2881-742	3	14.01
CM-391-2881-758	3	14.01
CM-391-2881-737	3-3/4	37.37
CM-391-2881-698	3-7/8	20.36
CM-22098-621	4	48.40
CM-375-9006-388	4	78.10
CM-391-2881-738	4	21.64

ROD SEALS

Part Number	Rod Dia.	List Price
CM-391-2881-741	4-1/4	\$28.87
CM-391-2881-744	5-1/4	43.14

U-SEALS

Part Number	Rod Dia.	List Price
CM-220004	3/4	\$5.30
CM-220005	3/4	5.69
CM-22001	3/4	6.15
CM-22016	7/8	5.89
CM-22017	7/8	5.88
CM-22202	7/8	6.52
CM-22002	1	6.55
CM-22066	1	6.55
CM-22074	1	6.14
CM-22224	1	6.55
CM-23011	1	5.45
CM-23086	1	5.50
CM-23223	1	6.04
CM-23224	1	5.50
CM-22010	1-1/8	9.35
CM-22014	1-1/8	5.51
CM-22020	1-1/8	6.84
CM-22220	1-1/8	6.40
CM-23226	1-1/8	9.62
CM-22003	1-1/4	6.51
CM-22216	1-1/4	7.66
CM-22217	1-1/4	7.29
CM-23096	1-1/4	6.32
CM-23097	1-1/4	6.09
CM-23098	1-1/4	5.85
CM-23228	1-1/4	6.32
CM-23229	1-1/4	6.29
CM-375-9006-028	1-1/4	6.89
CM-391-1982-903	1-1/4	7.66
CM-22021	1-3/8	7.45
CM-22022	1-3/8	8.80
CM-22045	1-3/8	7.93
CM-23231	1-3/8	6.68
CM-23406	1-3/8	8.25
CM-22059	1-1/2	7.19
CM-22065	1-1/2	7.55
CM-22082	1-1/2	8.70
CM-22221	1-1/2	6.68
CM-22227	1-1/2	8.70

REPLACEMENT PARTS FOR COMMERCIAL EQUIPMENT

NOTE: Commercial part numbers are used as a reference only. We do not imply that these kits are original REPLACEMENT PARTS.

U-SEALS

Part Number	Rod Dia.	List Price
CM-23105	1-1/2	\$7.34
CM-23106	1-1/2	7.31
CM-23233	1-1/2	7.13
CM-23234	1-1/2	7.13
CM-391-1982-905	1-1/2	8.70
CM-22056	1.062	5.42
CM-22006	1-5/8	7.12
CM-22083	1-5/8	9.48
CM-22205	1-5/8	8.44
CM-22230	1-5/8	9.48
CM-23109	1-5/8	7.44
CM-22004	1-3/4	11.74
CM-22042	1-3/4	9.52
CM-22204	1-3/4	8.56
CM-22231	1-3/4	8.56
CM-23112	1-3/4	7.69
CM-23114	1-3/4	7.55
CM-23141	1-3/4	9.17
CM-23238	1-3/4	8.12
CM-23239	1-3/4	10.65
CM-23414	1-3/4	9.17
CM-375-9006-087	1-3/4	8.56
CM-391-1982-900	1-3/4	9.52
CM-22102	1-7/8	12.25
CM-22005	2	10.42
CM-22049	2	9.52
CM-22073	2	7.55
CM-22076	2	9.50
CM-22203	2	7.55
CM-23118	2	8.64
CM-23119	2	8.04
CM-23246	2	9.11
CM-23247	2	8.89
CM-23248	2	8.46
CM-23249	2	8.19
CM-23920	2	8.89
CM-375-9006-411	2	18.38
CM-391-1982-899	2	10.42
CM-22222	2-1/8	7.81
CM-22007	2-1/4	8.33
CM-22064	2-1/4	11.69
CM-22078	2-1/4	14.08
CM-23253	2-1/4	10.24
CM-23427	2-1/4	12.61
CM-391-1982-890	2-1/4	11.69
CM-23432	2-3/8	12.25
CM-375-9006-174	2-3/8	11.54

U-SEALS

Part Number	Rod Dia.	List Price
CM-22009	2-1/2	\$12.88
CM-22025	2-1/2	11.51
CM-22026	2-1/2	20.82
CM-22050	2-1/2	11.44
CM-22060	2-1/2	8.58
CM-22061	2-1/2	12.88
CM-22079	2-1/2	11.44
CM-22207	2-1/2	15.00
CM-23134	2-1/2	9.98
CM-23259	2-1/2	11.56
CM-23260	2-1/2	11.35
CM-23433	2-1/2	13.07
CM-23576	2-1/2	16.14
CM-375-9006-173	2-1/2	11.44
CM-375-9006-432	2-1/2	12.91
CM-391-1982-891	2-1/2	15.00
CM-22028	2-5/8	8.58
CM-22029	2-5/8	13.43
CM-23136	2-5/8	10.45
CM-23578	2-5/8	18.28
CM-22030	2-3/4	12.45
CM-22100	2-3/4	14.07
CM-22101	2-3/4	12.45
CM-23264	2-3/4	12.23
CM-23581	2-3/4	18.77
CM-375-9006-088	2-3/4	12.45
CM-391-1982-902	2-3/4	16.28
CM-22215	2-7/8	17.57
CM-375-9006-154	2-7/8	13.34
CM-22011	3	17.62
CM-22031	3	15.19
CM-22032	3	13.43
CM-22044	3	25.87
CM-22047	3	24.72
CM-23268	3	12.81
CM-23269	3	12.38
CM-23446	3	22.51
CM-23586	3	20.70
CM-375-9006-092	3	13.83
CM-375-9006-108	3	24.72
CM-375-9006-238	3	15.19
CM-375-9006-343	3	24.64
CM-375-9006-430	3	32.92
CM-391-1982-909	3	17.62
CM-23149	3-1/8	11.87
CM-22068	3-1/4	16.36
CM-22081	3-1/4	16.36

U-SEALS

Part Number	Rod Dia.	List Price
CM-22210	3-1/4	\$17.07
CM-23273	3-1/4	14.18
CM-23274	3-1/4	13.20
CM-23593	3-1/4	21.03
CM-375-9006-431	3-1/4	14.18
CM-391-1982-892	3-1/4	19.78
CM-22012	3-1/2	28.11
CM-22051	3-1/2	28.11
CM-22072	3-1/2	21.36
CM-22085	3-1/2	17.53
CM-22096	3-1/2	16.11
CM-23279	3-1/2	15.06
CM-391-1982-120	3-1/2	21.36
CM-391-1982-910	3-1/2	16.51
CM-22018	3-5/8	12.45
CM-22069	3-5/8	30.39
CM-22089	3-5/8	29.12
CM-22095	3-5/8	30.39
CM-22041	3-3/4	23.64
CM-22228	3-3/4	22.74
CM-23286	3-3/4	15.64
CM-23604	3-3/4	28.53
CM-375-9006-319	3-3/4	29.89
CM-375-9006-349	3-3/4	29.89
CM-391-1982-894	3-3/4	23.64
CM-375-9006-043	3-7/8	23.64
CM-22034	4	23.13
CM-22053	4	14.87
CM-22055	4	20.18
CM-22098	4	20.18
CM-23291	4	15.96
CM-23292	4	16.96
CM-23293	4	16.58
CM-23294	4	21.49
CM-375-9006-019	4	20.18
CM-375-9006-054	4	31.72
CM-391-1982-904	4	23.13
CM-22035	4-1/4	24.15
CM-22048	4-1/4	24.15
CM-22209	4-1/4	33.22
CM-22219	4-1/4	24.32
CM-23616	4-1/4	28.93
CM-23617	4-1/4	27.53
CM-23618	4-1/4	28.93
CM-375-9006-257	4-1/4	15.40
CM-391-1982-893	4-1/4	24.32
CM-22036	4-1/2	34.89

REPLACEMENT PARTS FOR COMMERCIAL EQUIPMENT

NOTE: Commercial part numbers are used as a reference only. We do not imply that these kits are original REPLACEMENT PARTS.

U-SEALS

Part Number	Rod Dia.	List Price
CM-22088	4-1/2	\$23.92
CM-22214	4-1/2	26.35
CM-23304	4-1/2	19.78
CM-23306	4-1/2	19.78
CM-23621	4-1/2	39.55
CM-375-9006-096	4-1/2	26.35
CM-375-9006-145	4-1/2	23.92
CM-375-9006-403	4-1/2	56.32
CM-375-9006-407	4-1/2	34.94
CM-22058	4-5/8	25.45
CM-375-9006-182	4-5/8	28.29
CM-22052	4-3/4	26.28
CM-22218	4-3/4	29.36
CM-23630	4-3/4	30.11
CM-375-9006-246	4-3/4	20.33
CM-375-9006-280	4-3/4	36.46
CM-391-1982-895	4-3/4	29.36
CM-22037	5	27.69
CM-22087	5	44.93
CM-22094	5	31.62
CM-22290	5	31.62
CM-23318	5	39.75
CM-23320	5	39.75
CM-23670	5	44.86
CM-375-9006-434	5	38.29
CM-375-9006-457	5	33.43
CM-391-1982-908	5	31.62
CM-23638	5-1/4	32.64
CM-23639	5-1/4	33.70
CM-23640	5-1/4	34.25
CM-23493	5-3/8	30.86
CM-23494	5-3/8	30.11
CM-23495	5-3/8	27.96
CM-22038	5-1/2	32.31
CM-22039	5-1/2	31.38
CM-22040	5-1/2	41.35
CM-23330	5-1/2	34.31
CM-23331	5-1/2	34.31
CM-23645	5-1/2	34.96
CM-375-9006-316	5-1/2	31.38
CM-375-9006-450	5-1/2	41.35
CM-22091	5-3/4	35.18
CM-23658	5-3/4	34.85
CM-375-9006-281	5-3/4	44.76
CM-391-1982-896	5-3/4	38.33
CM-22054	6	32.82
CM-22070	6	44.24

U-SEALS

Part Number	Rod Dia.	List Price
CM-375-9006-025	6	\$32.82
CM-22225	6-1/4	45.35
CM-23659	6-1/4	37.22
CM-23660	6-1/4	40.32
CM-22062	6-1/2	42.50
CM-22092	6-1/2	46.92
CM-375-9006-020	6-1/2	37.18
CM-375-9006-455	6-1/2	59.56
CM-375-9006-197	6-3/4	38.76
CM-375-9006-098	7	40.28
CM-375-9006-479	7	284.20
CM-22097	7-1/2	71.87
CM-375-9006-024	8	48.73
CM-375-9006-021	8-1/2	52.19
CM-22063	9	79.48
CM-375-9006-097	9-1/4	86.02

VEE SETS

Part Number	Rod Dia.	List Price
CM-21039	1-1/2	\$16.82

WEAR RINGS

Part Number	O.D. X Width	List Price
CM-25000	1-1/4 X 3/8	\$5.19
CM-25125	1-1/4 X 1/2	6.31
CM-25122	1-1/2 X 3/8	5.19
CM-25124	1-1/2 X 1/2	5.19
CM-375-9023-071	1-1/2 X 1/2	5.19
CM-391-2684-148	1-1/2 X 1/2	5.19
CM-25040	1-1/2 X 5/8	5.19
CM-375-9003-246	1-1/2 X 5/8	5.19
CM-25009	1-3/4 X 3/8	5.26
CM-25010	1-3/4 X 1/2	5.13
CM-391-2684-149	1-3/4 X 1/2	5.13
CM-25009	1-3/4 X 3/8	5.26
CM-25149	2 X 1/4	4.45
CM-25001	2 X 3/8	5.26
CM-25011	2 X 1/2	5.54
CM-375-9023-092	2 X 1/2	5.54

WEAR RINGS

Part Number	O.D. X Width	List Price
CM-391-2684-150	2 X 1/2	\$5.54
CM-25558	2 X 3/4	5.88
CM-25002	2-1/4 X 3/8	5.54
CM-25012	2-1/4 X 1/2	5.54
CM-375-9003-238	2-1/4 X 1/2	9.85
CM-391-2684-151	2-1/4 X 1/2	5.54
CM-25147	2-1/4 X 5/8	5.80
CM-25050	2-1/4 X 3/4	5.72
CM-375-9003-202	2-1/4 X 3/4	10.24
CM-391-2684-101	2-1/4 X 3/4	5.72
CM-25013	2-3/8 X 1/2	5.72
CM-25003	2-1/2 X 3/8	5.72
CM-25014	2-1/2 X 1/2	5.76
CM-375-9023-072	2-1/2 X 1/2	5.76
CM-391-2684-152	2-1/2 X 1/2	9.54
CM-2505025	2-1/2 X 3/4	6.84
CM-25072	2-3/4 X 1	24.18
CM-375-9023-142	2-3/4 X 1	31.02
CM-25015	2-3/4 X 1/2	5.80
CM-375-9023-052	2-3/4 X 1/2	5.80
CM-375-9023-070	2-3/4 X 1/2	5.80
CM-375-9003-027	2-3/4 X 2	25.33
CM-25004	2-3/4 X 3/8	5.80
CM-250655	2-7/8 X 1	7.54
CM-25116	3 X 1	6.59
CM-25144	3 X 1/4	5.34
CM-25016	3 X 1/2	14.73
CM-250505	3 X 3/4	6.78
CM-25115	3 X 3/4	6.78
CM-391-2684-097	3 X 3/4	6.78
CM-25006	3-1/4 X 3/8	6.07
CM-25017	3-1/4 X 1/2	6.07
CM-375-9023-031	3-1/4 X 1/2	6.07
CM-391-2684-124	3-1/4 X 1/2	6.07
CM-391-2684-133	3-1/4 X 1/2	6.07
CM-25051	3-1/4 X 3/4	6.78
CM-391-2684-077	3-1/4 X 3/4	6.78
CM-25834	3-1/4 X 1	7.27
CM-375-9003-071	3-1/4 X 1	12.89
CM-375-9003-059	3-1/4 X 2	34.68
CM-375-9023-128	3-1/4 X 2-1/8	34.14
CM-25119	3-1/2 X 3/8	6.10
CM-25018	3-1/2 X 1/2	6.10
CM-375-9023-036	3-1/2 X 1/2	6.10
CM-375-9023-089	3-1/2 X 1/2	6.10
CM-25035	3-1/2 X 5/8	6.78

REPLACEMENT PARTS FOR COMMERCIAL EQUIPMENT

NOTE: Commercial part numbers are used as a reference only. We do not imply that these kits are original REPLACEMENT PARTS.

WEAR RINGS

Part Number	O.D. X Width	List Price
CM-25052	3-1/2 X 3/4	\$6.81
CM-375-9023-116	3-1/2 X 3/4	23.74
CM-391-2681-635	3-1/2 X 3/4	23.74
CM-391-2684-092	3-1/2 X 3/4	6.81
CM-25071	3-1/2 X 1	7.39
CM-25145	3-3/4 X 3/8	7.74
CM-25019	3-3/4 X 1/2	6.22
CM-375-9023-147	3-3/4 X 1/2	16.62
CM-391-2684-163	3-3/4 X 3/4	7.13
CM-375-9023-135	3-3/4 X 1.240	20.81
CM-25007	4 X 3/8	7.74
CM-25020	4 X 1/2	6.22
CM-391-2684-004	4 X 1/2	6.22
CM-391-2684-153	4 X 1/2	6.22
CM-25036	4 X 5/8	7.27
CM-25053	4 X 3/4	6.81
CM-391-2684-080	4 X 3/4	6.81
CM-25065	4 X 1	7.96
CM-375-9023-088	4 X 1	7.96
CM-375-9023-149	4 X 1	39.40
CM-25021	4-1/4 X 1/2	6.37
CM-375-9003-257	4-1/4 X 1/2	6.37
CM-375-9023-021	4-1/4 X 1/2	6.37
CM-25037	4-1/4 X 5/8	7.27
CM-25135	4-1/4 X 3/4	7.54
CM-391-2684-118	4-1/4 X 3/4	7.54
CM-375-9023-027	4-1/4 X 7/8	33.21
CM-375-3023-031	4-1/4 X 1	9.75
CM-375-9003-036	4-1/4 X 1-1/4	17.36
CM-25066	4-1/2 X 1	9.75
CM-25022	4-1/2 X 1/2	6.53
CM-375-9023-032	4-1/2 X 1/2	6.53
CM-25038	4-1/2 X 5/8	7.27
CM-25054	4-1/2 X 3/4	7.11
CM-25121	4-3/4 X 1/2	6.53
CM-375-9023-033	4-3/4 X 1/2	6.53
CM-25123	4-3/4 X 1	9.83
CM-375-9003-216	4-3/4 X 1-1/4	18.16
CM-25847	4-3/4 X 2	48.35
CM-25023	5 X 1/2	6.53
CM-375-9023-034	5 X 1/2	6.53
CM-391-2684-142	5 X 1/2	6.53
CM-25055	5 X 3/4	7.27

WEAR RINGS

Part Number	O.D. X Width	List Price
CM-391-2684-121	5 X 3/4	\$7.27
CM-25039	5 X 0.622	7.27
CM-25067	5 X 1	9.83
CM-25118	5-1/4 X 1/2	6.53
CM-391-2684-125	5-1/4 X 1/2	6.53
CM-25143	5-1/4 X 5/8	7.27
CM-391-2684-082	5-1/4 X 3/4	7.43
CM-375-9023-141	5-1/4 X 1-1/4	45.62
CM-375-9023-134	5-1/4 X 2	52.79
CM-25554	5-1/2 X 1	9.93
CM-25024	5-1/2 X 1/2	6.53
CM-391-2684-145	5-1/2 X 1/2	6.53
CM-25056	5-1/2 X 3/4	7.43
CM-375-9023-090	5-1/2 X 3/4	7.43
CM-391-2684-155	5-1/2 X 3/4	7.43
CM-25025	5-3/4 X 1/2	7.45
CM-25041	5-3/4 X 5/8	7.95
CM-375-9003-252	5-3/4 X 1-1/2	36.63
CM-375-9023-140	5-3/4 X 1-1/2	36.63

WIPERS

Part Number	Rod Dia.	List Price
CM-14075	3/4	\$3.63
CM-391-3881-116	3/4	1.50
CM-12100	1	3.18
CM-391-3881-105	1	1.60
CM-12112	1-1/8	3.18
CM-12125	1-1/4	3.47
CM-391-3881-101	1-1/4	1.73
CM-375-3026-017	1-3/8	3.64
CM-12150	1-1/2	4.07
CM-14151	1-1/2	15.39
CM-391-3881-102	1-1/2	15.00
CM-391-3881-106	1-1/2	2.58
CM-12175	1-3/4	4.55
CM-13019	1-3/4	2.70
CM-375-9026-081	1-3/4	4.55
CM-391-3881-095	1-3/4	2.70
CM-391-3881-104	1-3/4	16.21
CM-12200	2	4.77

WIPERS

Part Number	Rod Dia.	List Price
CM-375-9026-083	2	\$4.77
CM-375-9026-112	2	8.71
CM-391-3881-071	2	2.75
CM-12225	2-1/4	5.04
CM-391-3881-053	2-1/4	2.92
CM-391-3881-107	2-3/8	3.03
CM-12250	2-1/2	5.04
CM-375-9026-082	2-1/2	5.63
CM-391-3881-055	2-1/2	3.30
CM-391-3881-103	2-1/2	20.36
CM-12262	2-5/8	5.44
CM-12275	2-3/4	5.80
CM-375-9026-047	2-3/4	23.06
CM-391-3881-108	2-3/4	3.48
CM-12300	3	6.07
CM-375-9026-121	3	8.58
CM-375-9026-132	3	4.07
CM-391-3881-054	3-1/4	4.79
CM-12350	3-1/2	6.90
CM-391-3881-096	3-1/2	4.90
CM-391-3881-112	3-7/8	5.31
CM-12400	4	8.99
CM-375-9026-017	4	44.55
CM-375-9026-044	4	8.99
CM-375-9026-131	4	5.47
CM-391-3881-099	4	5.47
CM-391-3881-110	4-1/8	5.62
CM-375-9026-079	4-1/4	36.76
CM-391-3881-056	4-1/4	5.77
CM-12450	4-1/2	10.07
CM-12453-520	4-1/2	13.90
CM-375-9026-098	4-1/2	10.07
CM-375-9026-106	4-1/2	5.92
CM-375-9026-066	4-3/4	49.16
CM-375-9026-128	4-3/4	50.36
CM-12500	5	14.07
CM-375-9026-130	5	13.65
CM-391-3881-114	5	7.26
CM-375-9026-006	5-1/2	17.47
CM-391-3881-115	6	9.23
CM-391-3881-111	6-1/4	9.55
CM-391-3881-109	6-1/2	9.75
CM-391-3881-121	6-1/2	70.25
CM-375-9026-120	7	24.55
CM-375-9026-097	8-1/4	29.55

CROSS

Kit Number	Code (Pg. xviii)	Rod X Bore Size	List Price
CR-1C 1480	P-U-5	1-1/16 X 2	\$37.95
CR-1C 4147	P-OB-3	1-1/8 X 3	17.14
CR-1C 4244	P-OB-3	1-1/16 X 2	21.58
CR-1C 4429	P-OB-3	1-1/4 X 3-1/2	19.40
CR-1C 4430	P-OB-3	1-1/4 X 4	20.31
CR-1C 4433	P-OB-3	1-1/16 X 2-1/2	22.46
CR-1C 4629	P-OB-3	1-1/4 X 3	14.77
CR-1C 4630	P-OB-3	1-1/2 X 3	15.07
CR-1C 4631	P-OB-3	1-1/2 X 3-1/2	19.89
CR-1C 4637	P-OB-3	1-1/2 X 4	28.55
CR-1C 4638	P-OB-3	2 X 4	20.05
CR-1C 4642	P-OB-3	3/4 X 1-1/2	25.21

Kit Number	Code (Pg. xviii)	Rod X Bore Size	List Price
CR-1C 4750	P-OB-3	1 X 2	\$15.07
CR-1C 4759	P-OB-3	1-1/4 X 2-1/2	15.53
CR-1C 4765	P-OB-3	1-1/4 X 3	15.67
CR-1C 4785	P-OB-3	1-1/2 X 4	21.32
CR-1C 4786-A	P-OB-3	2 X 4	18.38
CR-1C 4796	P-OB-3	2-1/2 X 5	28.55
CR-1C 9964	P-U-5	2 X 4	75.01
CR-2C 1955	P-U-5	1-1/2 X 4	74.63
CR-2C 2842	P-OB-3	1-1/4 X 3	22.29
CR-2C 5395	P-U-5	3-1/2 X 6	122.18
CR-3C 2597	P-U-5	1-1/2 X 3	47.27
CR-3C 7684	P-OB-3	1-3/4 X 4	31.46

CROWN LIFT TRUCKS

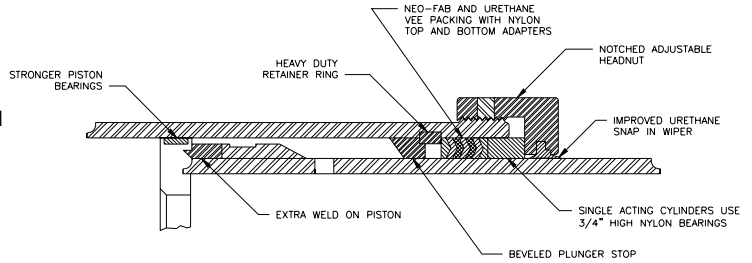
Kit Number	Code (Pg. xviii)	Rod X Bore Size	List Price
CRN-087484		O-RING	\$5.78
CRN-088719		O-RING	5.17
CRN-089178	I-U-13	1-3/4 X 3-1/2	70.23
CRN-093217		O-RING	5.54
CRN-101296	I-U-1	2-1/2" Rod Kit	29.83
CRN-101301	I-U-1	2 ROD KIT	35.31
CRN-101302	I-U-1	1-7/8 X 2-1/2	93.13
CRN-101305	I-U-1	1-5/8 X Rod Kit	136.69
CRN-101309	I-U-1	1-7/8" ROD KIT	97.72
CRN-101310	I-U-1	2-1/2" ROD KIT	39.73
CRN-101313	I-U-1	1-3/8" Rod Kit	35.88
CRN-101314	I-U-1	2-1/8" ROD KIT	27.71
CRN-101316	I-U-1	2-3/8" ROD KIT	64.69
CRN-101323	I-V-1	1-7/8" Rod Kit	123.52
CRN-101326	I-U-1	2-3/8" Rod Kit	43.93
CRN-101329	I-U-1	1-7/8, 2-5/8 Stages	106.64
CRN-101331	I-U-1	1-3/4, 2-3/8 Stages	87.66
CRN-101332	I-U-1	1-3/4 X 2-1/2	29.24
CRN-101334	I-U-1	1-7/8, 2-5/8 Rod kit	110.27
CRN-101335	I-U-1	1-5/8, 2-1/4 Stages	95.02
CRN-101336	I-U-1	1-5/8, 2-1/4 Stages	98.33
CRN-101339	I-U-1	2" Rod Kit	108.72
CRN-101340	I-U-1	1-7/8 ROD KIT	29.84
CRN-101341	I-U-5	1-1/4 X 2-3/8	73.00
CRN-101342	I-U-3	1-1/2 X 3	96.41
CRN-101343	I-U-5	3/4 X 2	85.14
CRN-101346	I-U-5	3/4 X 1-3/4	60.86
CRN-101347	I-U-5	3/4 X 2-1/8	83.89
CRN-101376	I-U-5	1-1/4 X 3	116.28

Kit Number	Code (Pg. xviii)	Rod X Bore Size	List Price
CRN-101377	I-U-5	1 x 1-3/4	\$62.74
CRN-102659		VALVE KIT	6.79
CRN-105476004		O-RING	10.17
CRN-105476-6		O-RING	3.39
CRN-107366	I-O-1	1/2" Valve Kit	24.76
CRN-111573	I-U-1	3" ROD KIT	49.13
CRN-111574	I-U-1	2" ROD KIT	31.50
CRN-111790-001		O-RING	3.39
CRN-111790-12		O-RING	3.39
CRN-111790-2		O-RING	6.79
CRN-111790-3		O-RING	4.28
CRN-111790-4		O-RING	4.28
CRN-111790-9		O-RING	4.04
CRN-112022	I-U-4	7/8 X 2	30.48
CRN-112704		8, 9/16" Spools Rod Kit	26.35
CRN-113744	I-U-13	2-1/2 X 3-1/4	78.95
CRN-113745	I-U-13	3/4 x 1-3/4	39.18
CRN-115604	I-U-4	7/8 X 2	48.58
CRN-116360	N-O-1	O-RING	7.52
CRN-116820	I-U-1	2" rod kit	21.25
CRN-42249	I-U-1	56 X 80 mm	52.88
CRN-43023-1		VALVE KIT	43.47
CRN-78685		VALVE KIT	20.20
CRN-79017		VALVE KIT	6.24
CRN-87317	N-O-1	O-RING	5.54
CRN-89704	I-U-13	1-3/4 x 2-3/4	98.34
CRN-90880	I-U-5	3/4 X 1-3/4	63.22
CRN-94580	I-O-1	5/8" Rod kit	7.39

CROWN

CUSTOM HOISTS 700 SERIES

- PACKING: Vee packing with nylon top and bottom adapters.
 WIPERS: An improved dual-lip snap in wiper to minimize contamination entry.
 Bearing: Top mineral filled nylon bearing.
 Retainer Ring: Heavy duty for improved strength.
 Plunger Stop: Beveled plunger stop for plunger center.
 Piston Wear Ring: Wear ring with increased cross-section for added strength.
 Stage O.D.'S: 3-3/16", 4-1/8", 5-1/16" & 6"
 Identification: Part number and serial number stamped in body near base of cylinder. Ex. 63-702-120

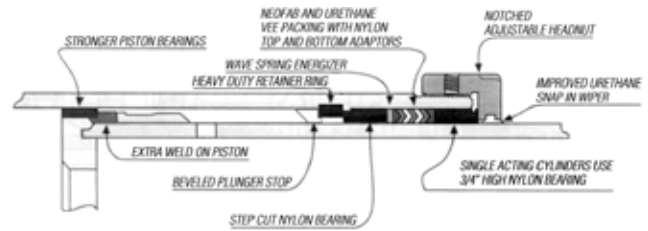


Part Number	Description	List Price
SEAL KITS		
CH-SK-53-700	3 - 5" Seal Kit	\$150.89
CH-SK-63-700	4 - 6" Seal Kit	172.68
CH-SK-64-700	3 - 6" Seal Kit	212.93
CH-SK-74-700	4 - 7" Seal Kit	311.55
MINOR PACKING KITS		
CH-MPK-53-700	3 - 5" Minor Packing Kit	\$264.72
CH-MPK-63-700	4 - 6" Minor Packing Kit	289.27
CH-MPK-64-700	3 - 6" Minor Packing Kit	364.62
CH-MPK-74-700	4 - 7" Minor Packing Kit	550.61
MAJOR PACKING KITS		
CH-MRK-53-700	3 - 5" Major Repair Kit	\$502.37
CH-MRK-63-700	4 - 6" Major Repair Kit	577.67
CH-MRK-64-700	3 - 6" Major Repair Kit	723.41
CH-MRK-74-700	4 - 7" Major Repair Kit	867.93
NYLON TOP BEARINGS		
CH-1BU11-3-3/16	3-3/16" Nylon Top Bearing	\$26.97
CH-1BU11-4-1/8	4-1/8" Nylon Top Bearing	27.81
CH-1BU11-5-1/16	5-1/16" Nylon Top Bearing	27.99
CH-1BU11-6	6" Nylon Top Bearing	22.06
CH-1BU11-7	7" Nylon Top Bearing	24.25
PACKINGS		
CH-700-3-3/16VS	3-3/16" Vee Set	\$32.94
CH-700-4-1/8VS	4-1/8" Vee Set	38.25
CH-700-5-1/16VS	5-1/16" Vee Set	47.48
CH-700-6VS	6" Vee Set	37.08
CH-PK-1-7	7" Vee Set	46.21

Part Number	Description	List Price
WIPERS		
CH-1WR1-3-3/16	3-3/16" Wiper	\$10.94
CH-1WR1-4-1/8	4-1/8" Wiper	14.21
CH-1WR1-5-1/16	5-1/16" Wiper	17.53
CH-1WR1-6	6" Wiper	14.72
CH-1WR1-7	7" Wiper	18.20
RETAINER RINGS		
CH-2RR58-550	5-1/2" Retainer Ring	\$60.49
CH-2RR58-650	6-1/2" Retainer Ring	57.33
CH-2RR58-750	7" Retainer Ring	69.98
PISTON WEAR RINGS		
CH-2WG3-3-3/16	3-3/16" Piston Wear Ring	\$6.74
CH-2WG3-4-1/8	4-1/8" Piston Wear Ring	8.48
CH-2WG3-5-1/16	5-1/16" Piston Wear Ring	9.98
CH-2WG3-6	6" Piston Wear Ring	12.06
CH-2WG1-7	7" Piston Wear Ring	10.26
WAVE SPRING		
CH-1WA11-7	7" Wave Spring	\$47.32
BUSHING		
CH-1BU195-7	7" Bushing	\$30.57

CUSTOM HOISTS 400 SERIES

- PACKING:** Vee packing with nylon top and bottom adapters.
WIPERS: An improved dual-lip snap in wiper to minimize contamination entry.
WAVE SPRING: To apply a continuous force on the packing.
BEARINGS: Top and bottom mineral filled nylon bearing.
RETAINER RING: Heavy duty for improved strength.
PLUNGER STOP: Beveled plunger stop for plunger centering.
PISTON WEAR RING: Wear ring with increased cross-section for added strength.
STAGE O.D.'S: 3, 4, 5, 6, 7, 8, 8-1/4, 9-1/8, 9-3/4
IDENTIFICATION: Part number and serial number stamped in body near oil port near base of cylinder.
 Example: 85-402-250 single acting.



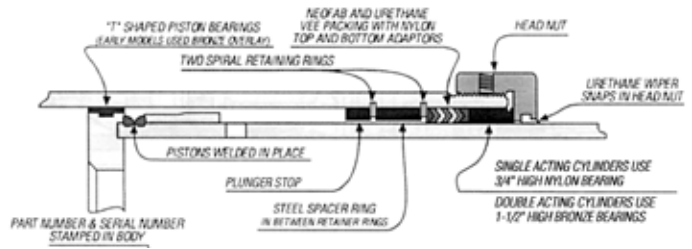
Part Number	Description	List Price
SEAL KITS		
CH-SK-53-400	3 - 5" Seal Kit	\$196.88
CH-SK-63-400	4 - 6" Seal Kit	236.93
CH-SK-64-400	3 - 6" Seal Kit	296.07
CH-SK-73-400	5 - 7" Seal Kit	310.66
CH-SK-74-400	4 - 7" Seal Kit	370.81
CH-SK-8-1/4 5-400	4 - 8-1/4" Seal Kit	642.21
CH-SK-84-400	5 - 8" Seal Kit	464.70
CH-SK-85-400	4 - 8" Seal Kit	525.42
CH-SK-95-400	5 - 9-1/8" Seal Kit	728.23
MINOR PACKING KITS		
CH-MPK-53-400	3 - 5" Minor Packing Kit	\$323.68
CH-MPK-63-400	4 - 6" Minor Packing Kit	371.07
CH-MPK-64-400	3 - 6" Minor Packing Kit	470.86
CH-MPK-73-400	5 - 7" Minor Packing Kit	456.54
CH-MPK-74-400	4 - 7" Minor Packing Kit	557.89
CH-MPK-8-1/4 5-400	4 - 8-1/4" Minor Packing Kit	993.94
CH-MPK-84-400	5 - 8" Minor Packing Kit	716.54
CH-MPK-85-400	4 - 8" Minor Packing Kit	772.05
CH-MPK-95-400	5 - 9" Minor Packing Kit	1,511.91
MAJOR REPAIR KITS		
CH-MRK-53-400	3 - 5" Major Repair Kit	\$970.20
CH-MRK-63-400	4 - 6" Major Repair Kit	1,017.98
CH-MRK-64-400	3 - 6" Major Repair Kit	1,332.51
CH-MRK-73-400	5 - 7" Major Repair Kit	1,097.36
CH-MRK-74-400	4 - 7" Major Repair Kit	1,420.25
CH-MRK-8-1/4 5-400	4 - 8-1/4" Major Repair Kit	2,778.15
CH-MRK-84-400	5 - 8" Major Repair Kit	1,606.91
CH-MRK-85-400	4 - 8" Major Repair Kit	1,930.48
CH-MRK-95-400	5 - 9" Major Repair Kit	3,032.06
PACKING & WIPERS		
CH-400-3VSW	3" Vee Set & Wiper	\$28.11
CH-400-4VSW	4" Vee Set & Wiper	39.93
CH-400-5VSW	5" Vee Set & Wiper	48.11
CH-400-6VSW	6" Vee Set & Wiper	59.64
CH-400-7VSW	7" Vee Set & Wiper	71.18
CH-400-8.25VSW	8-1/4" Vee Set & Wiper	198.34
CH-400-8VSW	8" Vee Set & Wiper	86.82
CH-400-9.12VSW	9-1/8" Vee Set & Wiper	246.76
NYLON BOTTOM BEARINGS		
CH-1BU195-3	3" Nylon Bottom Bearing	\$22.43
CH-1BU195-4	4" Nylon Bottom Bearing	23.03
CH-1BU195-5	5" Nylon Bottom Bearing	25.06
CH-1BU195-6	6" Nylon Bottom Bearing	26.97
CH-1BU195-7	7" Nylon Bottom Bearing	30.57
CH-1BU195-8	8" Nylon Bottom Bearing	35.85
CH-1BU195-825	8-1/4" Nylon Bottom Bearing	83.72
CH-1BU195-91	9-1/8" Nylon Bottom Bearing	54.65
NYLON TOP BEARINGS		
CH-1BU11-3	3" Nylon Top Bearing	\$17.89
CH-1BU11-4	4" Nylon Top Bearing	17.72

Part Number	Description	List Price
NYLON TOP BEARINGS		
CH-1BU11-5	5" Nylon Top Bearing	\$18.67
CH-1BU11-6	6" Nylon Top Bearing	22.06
CH-1BU11-7	7" Nylon Top Bearing	24.25
CH-1BU11-8	8" Nylon Top Bearing	29.38
CH-1BU11-82	8-1/4" Nylon Top Bearing	55.67
CH-1BU11-91	9-1/8" Nylon Top Bearing	98.46
RETAINER RINGS		
CH-2RR58-350	3-1/2" Retainer Ring	\$65.19
CH-2RR58-450	4-1/2" Retainer Ring	63.70
CH-2RR58-550	5-1/2" Retainer Ring	60.49
CH-2RR58-650	6-1/2" Retainer Ring	57.33
CH-2RR58-750	7-1/2" Retainer Ring	69.98
CH-2RR58-850	8-1/2" Retainer Ring	90.74
CH-2RR58-975	9-3/4" Retainer Ring	215.64
WAVE SPRINGS		
CH-1WA11-3	3" Wave Spring	\$20.55
CH-1WA11-4	4" Wave Spring	22.26
CH-1WA11-5	5" Wave Spring	24.71
CH-1WA11-6	6" Wave Spring	29.16
CH-1WA11-7	7" Wave Spring	47.32
CH-1WA11-8	8" Wave Spring	50.83
CH-1WA11-825	8-1/4" Wave Spring	53.68
CH-1WA11-91	9-1/8" Wave Spring	57.39
PLUNGER STOPS		
CH-2PS36-3	3" Plunger Stop	\$93.85
CH-2PS36-4	4" Plunger Stop	95.65
CH-2PS36-5	5" Plunger Stop	95.92
CH-2PS36-6	6" Plunger Stop	99.23
CH-2PS36-7	7" Plunger Stop	101.03
CH-2PS36-8	8" Plunger Stop	125.88
CH-2PS36-825	8-1/4" Plunger Stop	149.26
CH-2PS36-91	9-1/8" Plunger Stop	247.65
PISTON WEAR RINGS		
CH-2WG1-3	3" Piston Wear Ring	\$6.96
CH-2WG1-4	4" Piston Wear Ring	14.05
CH-2WG1-5	5" Piston Wear Ring	7.60
CH-2WG1-8	8" Piston Wear Ring	18.56
CH-2WG1-6	6" Piston Wear Ring	8.58
CH-2WG1-7	7" Piston Wear Ring	10.26
CH-2WG1-91	9-1/8" Piston Wear Ring	30.01
WIPERS		
CH-1WR1-3	3" WIPER	\$8.69
CH-1WR1-4	4" WIPER	10.38
CH-1WR1-5	5" WIPER	12.51
CH-1WR1-6	6" WIPER	14.72
CH-1WR1-7	7" WIPER	18.20
CH-1WR1-8	8" WIPER	21.51
CH-1WR1-825	8-1/4" WIPER	30.54
CH-1WR1-91	9.12" WIPER	44.24

CUSTOM HOISTS

CUSTOM HOISTS TELESCOPICS

- PACKING:** Vee packing with nylon top and bottom adaptors.
4" thru 8" all 1/4" c.s.
- WIPERS:** Snap in.
- BEARINGS:** One bronze or mineral filled nylon bearing above the packing.
- PISTON:** Steel pistons welded to stage. Replaceable "T" shaped nylon wear rings. Double action use 2 cast iron piston rings in separate grooves.
- STAGE O.D.'s:** 3, 4, 5, 6, 7, 8, 8-1/4, 9-1/8, 9-3/4
- SPECIAL INFO.:** Uses 2 spiral retainer rings with metal spacer in between.
- IDENTIFICATION:** Part number and serial number stamped in body near oil port near base of cylinder.
Example: 85-2-220 single acting;
DAT73-4-128 double acting



Part Number	Description	List Price
PACKING & WIPERS		
CH-3VSW	3" Vee Set & Wiper	\$25.70
CH-4VSW	4" Vee Set & Wiper	28.56
CH-5VSW	5" Vee Set & Wiper	32.40
CH-6VSW	6" Vee Set & Wiper	39.50
CH-7VSW	7" Vee Set & Wiper	46.12
CH-8.25VSW	8-1/4" Vee Set & Wiper	118.75
CH-8VSW	8" Vee Set & Wiper	51.94
CH-9.12VSW	9-1/8" Vee Set & Wiper	171.59
CH-9.75VSW	9-3/4" Vee Set & Wiper	256.75
NYLON TOP BEARINGS		
CH-1BU11-3	3" Nylon Top Bearing	\$17.89
CH-1BU11-4	4" Nylon Top Bearing	17.72
CH-1BU11-5	5" Nylon Top Bearing	18.67
CH-1BU11-6	6" Nylon Top Bearing	22.06
CH-1BU11-7	7" Nylon Top Bearing	24.25
CH-1BU11-8	8" Nylon Top Bearing	29.38
CH-1BU11-82	8-1/4" Nylon Top Bearing	55.67
CH-1BU11-91	9-1/8" Nylon Top Bearing	98.46
CH-1BU1291/8	9-1/8" Nylon Top Bearing 1-1/2" Tall	125.14
SPIRAL RETAINER RINGS		
CH-1RR1-35	3-1/2" Bore Spiral Retainer Ring	\$5.76
CH-1RR1-45	4-1/2" Bore Spiral Retainer Ring	13.67
CH-1RR1-55	5-1/2" Bore Spiral Retainer Ring	13.97
CH-1RR1-65	6-1/2" Bore Spiral Retainer Ring	10.82
CH-1RR1-75	7-1/2" Bore Spiral Retainer Ring	14.34
CH-1RR1-85	8-1/2" Bore Spiral Retainer Ring	17.77
CH-1RR1-9	9" Bore Spiral Retainer Ring	99.82
CH-1RR1-97	9-3/4" Bore Spiral Retainer Ring	113.69
CH-1RR1-105	10-1/2" Bore Spiral Retainer Ring	149.52
SPACER RINGS		
CH-2SP1-3	3" Spacer	\$41.17
CH-2SP1-4	4" Spacer	61.00
CH-2SP1-5	5" Spacer	62.59
CH-2SP1-6	6" Spacer	69.22
CH-2SP1-7	7" Spacer	87.04
CH-2SP1-8	8" Spacer	104.18
CH-2SP1-8.25	8-1/4" Spacer	454.98

Part Number	Description	List Price
T-SHAPED PISTON WEAR RINGS		
CH-2GR6-3	3" Piston Wear Ring	\$10.66
CH-2GR6-4	4" Piston Wear Ring	11.48
CH-2GR6-5	5" Piston Wear Ring	14.67
CH-2GR6-6	6" Piston Wear Ring	18.16
CH-2GR6-7	7" Piston Wear Ring	19.77
CH-2GR6-8	8" Piston Wear Ring	32.60
CH-2GR6-825	8-1/4" Piston Wear Ring	46.58
CH-2GR6-91	9-1/8" Piston Wear Ring	46.58
CH-2GR6-975	9-3/4" Piston Wear Ring	48.90
PISTON WEAR RINGS		
CH-2WG1-3	3" Piston Wear Ring	\$6.96
CH-2WG1-4	4" Piston Wear Ring	14.05
CH-2WG1-5	5" Piston Wear Ring	7.60
CH-2WG1-8	8" Piston Wear Ring	18.56
CH-2WG1-6	6" Piston Wear Ring	8.58
CH-2WG1-7	7" Piston Wear Ring	10.26
CH-2WG1-91	9-1/8" Piston Wear Ring	30.01
PISTON RINGS (DOUBLE ACTING)		
CH-2PR3-35	3-1/2" Piston Ring	\$14.39
CH-2PR3-45	4-1/2" Piston Ring	19.29
CH-2PR3-55	5-1/2" Piston Ring	24.77
CH-2PR3-637	6-3/8" Piston Ring	0.00
CH-2PR3-65	6-1/2" Piston Ring	40.10
CH-2PR3-75	7-1/2" Piston Ring	37.65
CH-2PR3-85	8-1/2" Piston Ring	50.72
CH-2PR3-97	9-3/4" Piston Ring	104.40
CH-2PR3-105	10-1/2" Piston Ring	184.32

CUSTOM HOISTS TELESCOPICS

Part Number	Description	List Price
KITS		
CH-35	3" - 5" Vee Set & Wiper	\$90.90
CH-46	4" - 6" Vee Set & Wiper	114.34
CH-47	4" - 7" Vee Set & Wiper	170.05
CH-48	4" - 8" Vee Set & Wiper	179.06
CH-48-1/4	4" - 8 - 1/4" Vee Set & Wiper	314.62
CH-49	4" - 9 - 1/8" Vee Set & Wiper	436.25
CH-57	Custom #73-81-114, 129, 149	142.91
CH-57	5" - 7" Vee Set & Wiper	142.91
CH-58	5" - 8" Vee Set & Wiper	205.88
CH-59	5" - 9-1/8" Vee Set & Wiper	408.82
CH-NPB35	3" - 5" Nylon Piston Wear Ring Kit	41.61
CH-NPB36	3" - 6" Nylon Piston Wear Ring Kit	62.17
CH-NPB46	4" - 6" Nylon Piston Wear Ring Kit	50.11
CH-NPB47	4"- 7" Nylon Piston Wear Ring Kit	72.45
CH-NPB48	4" - 8" Nylon Piston Wear Ring Kit	109.30
CH-NPB48-1/4	4"- 8-1/4" Nylon Piston Wear Ring Kit	125.13
CH-NPB49	4" - 9-1/8" Nylon Piston Wear Ring	161.98
CH-NPB57	5" - 7" Piston Wear Ring Kit	59.46
CH-NPB58	5" - 8" Piston Wear Ring Kit	96.26
CH-NPB59	5" - 9-1/8" Piston Wear Ring Kit	148.98
CH-NYB35-DA	2 ea. 3" - 5" Nylon Top Bearings	102.95
CH-NYB35-SA	1 ea. 3" - 5" Nylon Top Bearings	51.49
CH-NYB36-DA	2 ea. 3" - 6" Nylon Top Bearings	145.00
CH-NYB36-SA	1 ea. 3" - 6" Nylon Top Bearings	72.50
CH-NYB46-DA	2 ea. 4" - 6" Nylon Top Bearings	111.16
CH-NYB46-SA	1 ea. 4" - 6" Nylon Top Bearings	55.60
CH-NYB47-DA	2 ea. 4" - 7" Nylon Top Bearings	157.48
CH-NYB47-SA	1 ea. 4" - 7" Nylon Top Bearings	78.43
CH-NYB48-1/4	1 ea. 4" - 8-1/4" Nylon Top Bearings	131.30
CH-NYB48-DA	2 ea. 4" - 8" Nylon Top Bearings	212.14
CH-NYB48-SA	1 ea. 4" - 8" Nylon Top Bearings	106.06
CH-NYB49-DA	2 ea. 4" - 8" Nylon Top Bearing & 1 ea. 9-1/8" Nylon Top Bearings	371.77
CH-NYB57-DA	2 ea. 5" - 7" Nylon Top Bearings	123.10
CH-NYB57-SA	1 ea. 5" - 7" Nylon Top Bearings	61.54
CH-NYB58-DA	2 ea. 5" - 8" Nylon Top Bearings	178.37
CH-NYB58-SA	1 ea. 5" - 8" Nylon Top Bearings	89.18
CH-NYB59-DA	2 ea. 5" - 9-1/8" Nylon Top Bearings	351.49
CH-NYB59-SA	1 ea. 5" - 9" Nylon Top Bearings	177.15
CH-PR35	2 ea. 3-1/2" - 5-1/2" Piston Rings	158.47
CH-PR36	2 ea. 3-1/2" - 6-1/2" Piston Rings	263.85
CH-PR46	2 ea. 4-1/2" - 6-1/2" Piston Rings	221.02
CH-PR47	2 ea. 4-1/2" - 7-1/2" Piston Rings	319.82
CH-PR48	2 ea. 4-1/2" - 8-1/2" Piston Rings	452.95
CH-PR49	2 ea. 4-1/2" - 9-3/4" Piston Rings	727.06
CH-PR57	2 ea. 5-1/2" - 7-1/2" Piston Rings	269.18
CH-PR58	2 ea. 5-1/2" - 8-1/2" Piston Rings	402.31
CH-PR59	2 ea. 5-1/2" - 9-3/4" Piston Rings	676.42
CH-PS1-3	3" Plunger Stop	43.26
CH-PS1-4	4" Plunger Stop	97.01
CH-PS1-5	5" Plunger Stop	103.63

Part Number	Description	List Price
KITS		
CH-PS1-6	6" Plunger Stop	\$98.86
CH-PS1-7	7" Plunger Stop	73.27
CH-PS1-8	8" Plunger Stop	105.64
CH-PS1-82	8-1/4" Plunger Stop	232.22
CH-PS1-91	9-1/8" Plunger Stop	159.79
CH-PS1-975	9-3/4" Plunger Stop	338.62
CH-SR35	2 ea. 3-1/2" - 5-1/2" Spiral Retainer	81.54
CH-SR36	2 ea. 3-1/2" - 6-1/2" Spiral Retainer	108.44
CH-SR46	2 ea. 4-1/2" - 6-1/2" Spiral Retainer	98.44
CH-SR47	2 ea. 4-1/2" - 7-1/2" Spiral Retainer	135.09
CH-SR48	2 ea. 4-1/2" - 8-1/2" Spiral Retainer	180.58
CH-SR48-1/4	2 ea. 4-1/2" - 9" Spiral Retainer	519.60
CH-SR49	2 ea. 4-1/2" - 9-3/4" Spiral Retainer	467.54
CH-SR57	2 ea. 5-1/2" - 7-1/2" Spiral Retainer	100.12
CH-SR58	2 ea. 5-1/2" - 8-1/2" Spiral Retainer	145.64
CH-SR59	2 ea. 5-1/2" - 9-3/4" Spiral Retainer	432.60
HEAD NUTS (Measured at thread - have 12th/in)		
CH-2HN-4	4" Head Nut	\$109.35
CH-2HN-5	5" Head Nut	96.50
CH-2HN-6	6" Head Nut	127.67
CH-2HN-7	7" Head Nut	133.10
CH-2HN-8	8" Head Nut	174.93
CH-2HN-82	8-1/4" Head Nut	487.44
CH-2HN-9	9" Head Nut	341.65
CH-3HN1-11.25	11-1/4" Head Nut (over 9-3/4" Stage)	1,063.98
CH-3HN1-11.25	11-1/4" Head Nut (over 9-3/4" Stage)	1,063.98
MISCELLANEOUS PARTS		
CH-ABVA-1	Automatic Bleeder	\$57.38
CH-MBVA-1	Manual Bleeder valve	6.15
CH-MBVA-3	OEM Style Manual Bleeder Valve	39.88
CH-SL-2-1	Nylon Slug	0.76
CH-SS-3-1	Set Screw	1.48
MAJOR REPAIR KITS (SINGLE ACTING)		
Kits include: Packing, wipers, nylon bushings, snap rings, piston bearing, set screws and nylon slugs.		
CH-MRK-63	4" - 6"	\$321.46
CH-MRK-74	4" - 7"	301.79
CH-MRK-84	5" - 8"	520.67
CH-MRK-85	4" - 8"	627.65
CH-MRK-95	5" - 9-1/8"	1,196.47
MAJOR REPAIR KITS (DOUBLE ACTING)		
CH-DAT-MRK-53	3" - 5"	\$932.75
CH-DAT-MRK-63	4" - 6"	1,018.03
CH-DAT-MRK-64	3" - 6"	1,210.41
CH-DAT-MRK-74	4" - 7"	1,373.13
CH-DAT-MRK-84	5" - 8"	1,502.03
CH-DAT-MRK-85	4" - 8"	1,830.44
CH-DAT-MRK-96	4" - 9-1/8"	3,040.66

CUSTOM HOISTS

CUSTOM HOISTS PISTON-ROD CYLINDERS

Kit Number	Cylinder Number	Code (Pg. xiv)	RodX-Bore Size	List Price
CH-SK-3-23		I-U-10	2 X 3	\$35.38
CH-SK-3-24		I-U-10	1-3/4 X 3	25.25
CH-SK-4-4	DA4-77-14	I-V-5	1-3/4 X 4	63.54
CH-SK-4-5	DA4-107-24	I-U-5	2-1/2 X 4	75.10
CH-SK-4-6	DA4-104-48	I-U-5	2 X 4	77.05
CH-SK-4-13	DA4-126-28	I-U-5	2-3/4 X 4	74.72
CH-SK-4-19	SA4-11-25	I-V-1	4" Rod Kit	46.28
CH-SK-4-21	DA4-142-21-1/2	I-V-10	2-1/2 X 4	60.18
CH-SK-4-23	DA4-171-27-3/4	I-V-10,12	2-3/4 X 4	67.60
CH-SK-4-49		I-V-10	2-3/4 X 4	49.24
CH-SK-4-53		I-UB-10,12	2 X 4	70.77
CH-SK-4-1/2-6	DA4-1/2-21	I-U-11	2 X 4-1/2	113.16
CH-SK-4-1/2-8	DA4-1/2-41-48-5/8	P-U-12	2 X 4-1/2	167.57
CH-SK-4-1/2-15	DA4-1/2-44-21	I-V-5	3 X 4-1/2	87.11
CH-SK-4-1/2-26		P-UB-10, 12	2 X 4-1/2	96.41
CH-SK-4-1/2-29		I-V-10, 12	2 X 4-1/2	123.47
CH-SK-5-1	DA5-67-14	I-U-5	2 X 5	74.27
CH-SK-5-12	DA5-144-36	I-V-11,12	2-1/2 X 5	163.87
CH-SK-5-13	DA5-47-27	I-V-5	3 X 5	125.30
CH-SK-5-21	DA5-130-16	I-V-5	2-1/2 X 5	116.46
CH-SK-5-28	DA5-41-19,20,23	I-V-5	3 X 5	118.37
CH-SK-5-35	DA5-4-26	I-V-9	2-1/2 X 5	98.28
CH-SK-5-1/2-25		I-V-10,12	2-1/2 X 5-1/2	96.89
CH-SK-6-1	DA6-60, DA6-88, DA6-90	I-V-1	4-1/2 X 6	55.74
CH-SK-6-11	DA6-39-78	I-V-5	4-1/2 X 6	226.00
CH-SK-6-15		I-V-5	3-1/2 X 6	135.13
CH-SK-6-2	DA6-39-78, DA-87-67	I-U-12	4-1/2 X 6	164.26
CH-SK-6-22	DA6-140	I-V-5	4 x 6	112.89
CH-SK-6-23	DA6-92-46,62,68	I-V-12	4-1/2 X 6	170.96

Kit Number	Cylinder Number	Code (Pg. xiv)	RodX-Bore Size	List Price
CH-SK-6-26	DA6-73-34	I-V-5	2-1/2 X 6	\$102.17
CH-SK-6-29	DA6-158-42	I-U-5	2-3/4 X 6	130.59
CH-SK-6-30	DA6-49-78	I-U-12	4 X 6	156.08
CH-SK-6-31	DA6-40-108	I-U-12	4-1/2 X 6	199.68
CH-SK-6-33		I-U-1	4" Rod Kit	36.00
CH-SK-6-34	DA6-100-63	I-V-10	4 X 6	138.43
CH-SK-6-42	DA6-188-60, DA6-188-52-1/2, DA6-194-72	I-V-5	4 X 6	107.05
CH-SK-6-44	DA6-203-42	I-V-5	2-3/4 X 6	133.26
CH-SK-6-54	DA6-9-60-1/2, DA6-9-70-1/2	I-V-10	4 X 6	167.50
CH-SK-6-6	DA6-47-47	P-V-5	4 X 6	111.62
CH-SK-6-8	DA6-68-79	I-U-5	4 X 6	110.93
CH-SK-6-84		I-U-10	5 X 6	83.57
CH-SK-7-1	DA7-5	I-U-12	5-1/2 X 7	270.80
CH-SK-7-16	DA7-4-23	I-V-5	3 X 7	125.70
CH-SK-7-17	DA7-78-79	I-V-5	4 X 7	131.25
CH-SK-7-18	DA-7-29	I-U-10	5-1/2 X 7	200.96
CH-SK-7-20	DA7-36-78,	I-U-12	4-1/2 X 7	186.68
CH-SK-7-34		I-V-4, 12	2-1/2 X 7	190.90
CH-SK-7-35	DA7-121,78,83 or 55	I-U-10	4-1/2 X 7	173.48
CH-SK-7-43		I-U-4	2 X 7	79.07
CH-SK-7-5	DA7-36-115	I-U-12	4-1/2 X 7	204.11
CH-SK-7-9	DA7-63	I-U-10	4-1/2 X 7	203.59
CH-SK-8-1		I-V-4	3 X 8	156.01
CH-SK-8-21	DA8-16-25	I-V-12	2-1/2 X 8	176.97
CH-SK-8-3		I-U-5	3 X 8	172.34
CH-SK-9-2	DA9-19-19	I-V-5	3-1/2 X 9	312.96
CH-SK-42-60	42-60-43 or CH-475 3"-4" Vee Set & Wiper Telescopic			55.15

DEMPSTER REFUSE TRUCKS

Repair parts for Dempster Refuse Trucks are available online at www.HerculesUS.com or by contacting the Hercules Sales Team at the information provided below.

DENSMORE

Repair parts for Denstore are available online at www.HerculesUS.com or by contacting the Hercules Sales Team at the information provided below.

DOOSAN INFRACORE

Repair parts for Doosan Infracore are available online at www.HerculesUS.com or by contacting the Hercules Sales Team at the information provided below.

DRILTECH

Kit Number	Code (Pg. xiv)	Rod X Bore Size	List Price
DT-1027-088	I-V-9	2-1/2 X 5	\$201.15
DT-1029-085	I-V-9	3 X 4-1/2	190.39
DT-12471-058	I-V-9	3-3/4 X 5	396.31
DT-1974-065	I-V-9	3 X 5	254.58
DT-3130-077	I-V-9	3 X 5	220.41

DYNAHOE

Kit Number	Code (Pg. xiv)	Rod X Bore Size	List Price
DH-116613	P-U-10	3 X 6	\$98.69
DH-116840	P-U-10	2-1/2 X 4	64.44

EATON-YALE, TIMBERJACK

Kit Number	Code (Pg. xiv)	Rod X Bore Size	List Price
EY-2106793	P-U-10	1-1/2 X 3	\$58.03
EY-6955800	I-U-10	2 X 3-1/2	74.26
EY-6955804	I-U-10	2-1/4 X 5	112.98
EY-6955805	I-U-10	2-1/2 X 5-1/2	116.43

EDBRO

Kit Number	Bore	Lip Hgt.	Thick-ness	Hole Size	List Price
9200-062ED	2	7/8	7/32	5/8	\$20.23
9262-087ED	2-5/8	7/8	7/32	7/8	37.24
9325-100ED	3-1/4	7/8	7/32	1	40.13
9387-112ED	3-7/8	7/8	7/32	1-1/8	45.88
9475-125ED	4-3/4	7/8	7/32	1-1/4	55.22
9575-150ED	5-3/4	7/8	7/32	1-1/2	65.50

EFFER CRANES

Kit Number	Code (Pg. xiv)	Rod X Bore Size	List Price
EF-2160990	I-U-15	100 X 140 mm	\$124.20
EF-2166980	I-U-15	35 X 50 mm	64.61
EF-2261990	I-U-15	130 X 220 mm	217.75
EF-2565990	I-U-15	70 X 90 mm	79.75
EF-2663990	I-U-15	65, 125, X 95, 150 mm	199.63
EF-2761990	I-U-15	110 X 150 mm	166.94
EF-3461990	I-U15	90 X 130 mm	123.47
EF-3760990	I-U-15	120 X 170 mm	155.78
EF-3761990	I-U-15	90 X 130 mm	123.47
EF-3764990	N-N-15	130 mm PISTON	113.08
EF-3861990	I-U-15	65 X 100 mm	91.16
EF-4464990	N-N-15	130 mm PISTON	196.15
EF-4469990	I-U-15	35, 75, 120 X 55, 90, 135 mm	250.90
EF-8086500	N-N-15	95, 150 PISTONS	201.41
EF-8087300	N-N-15	130 mm PISTON	50.60

ENERGY

Kit Number	Code (Pg. xiv)	Rod X Bore Size	List Price
EN-12621X	I-U-3	2 X 4	\$57.10
EN-A2430	P-OB-3	1-1/8 X 2	11.56
EN-A2859	P-U-3	1-1/4 X 3	21.04
EN-A7564	P-U-3	1-1/2 X 4	30.31

ENERPAC

NOTE: ENERPAC part numbers are used as a reference only. We do not imply that these kits are original REPLACEMENT PARTS.

Kit Number	Code (Pg. xxii)	Rod X Bore Size	List Price
EPC-RC1006K	I-N-4	5-1/8	\$107.38
EPC-RC102K	I-N-4	1-11/16	39.55
EPC-RC15K1	I-N-4	2	61.61
EPC-RC2510K	I-N-4	2-1/2	62.09
EPC-RC308K	I-N-4	2-7/8	94.75
EPC-RC506K	I-N-4	3-3/4	70.35
EPC-RC50K1	N-N-4	1-1/8	22.26
EPC-RC53K	I-N-4	1-1/8	29.74
EPC-RC756K	I-N-4	4-1/2	164.96
EPC-RCH121K1	N-U-4	1 X 1-7/8	52.77

ESCO

Repair parts for Escro are available online at www.HerculesUS.com or by contacting the Hercules Sales Team at the information provided below.

EUCLID TRUCKS

Kit Number	Code (Pg. xiv)	Description	List Price
EUC-12977806		Multi-Stage Kit 4, 6.5, 8.5	\$738.22
EUC-4046574		Multi-Stage Kit 6.25, 7, 8.25, 9, 10.5, 11	1,381.18
EUC-603323		Multi-Stage Kit 4, 6, 8	621.94
EUC-E12590794	P-U-10	2 X 4	76.03
EUC-E12631739	I-UB-11	6 X 8	1,587.40
EUC-R22HOIST		Multi-Stage Kit 4, 6.5, 8.5	354.18
EUC-R50HOIST		Multi-Stage Kit 3, 6, 8	258.81

FASSI-CRANE

Kit Number	Code (Pg. xiv)	Rod X Bore Size	List Price
FAS-GSC-21	I-U-1	25 mm Rod Kit	\$32.75
FAS-GSC-23	N-N-15	110 mm Piston Kit	172.34
FAS-GSC-33	N-N-15	160 mm Bore	53.80
FAS-GSC-35	N-N-15	80 mm Piston Kit	44.79
FAS-GSC-36	N-N-15	95 mm Piston Kit	63.53
FAS-GSC-56	I-U-15	80 X 95 mm	87.03
FAS-GSC-57	I-U-15	70 X 80 mm	51.39
FAS-GSC-62	I-U-15	80 X 95 mm	80.46
FAS-GSC-125	I-U-15	95 X 140 mm	209.90
FAS-GSC-138	I-U-15	50 X 75 mm	92.78
FAS-GSC-140	I-U-1	30 mm Rod Kit	38.85
FAS-GSC-152		O-Ring Kit	11.10
FAS-GSC-156	I-U-15	60, 95 mm Stages	267.23
FAS-GSC-157	I-U-15	95 X 100 mm	200.13
FAS-GSC-158	I-U-15	60 X 90 mm	216.44
FAS-GSC-161	I-U-15	35 X 60 mm	49.37
FAS-GSC-162	I-U-15	35, 70 mm Stages	144.08
FAS-GSC-202	N-N-15	130 mm Rod Kit	108.51
FAS-GSC-203	I-U-15	100 X 170 mm	122.55
FAS-GSC-217	N-N-15	150 mm Piston Kit	127.13
FAS-GSC-228	I-U-15	55 X 95 mm	67.02
FAS-GSC-245	I-U-15	55 X 85 mm	79.03
FAS-GSC-277	I-U-15	45 X 70 mm	77.46
FAS-GSC-279	I-U-15	55 X 85 mm	86.02
FAS-GSC-288	I-U-15	120 x 190 mm	199.15

FIAT-ALLIS

KITS

Kit Number	Code (Pg. xiv)	Rod X Bore Size	List Price
FA-790458-11-1	P-U-13	70 X 125mm	\$284.72

BACK-UP RINGS

Part Number	Min. Pkgs.	List Price
FA-79076127	1	\$7.86
FA-8292276	1	7.86
FA-8298072	1	23.79

O-RINGS

Part Number	Min. Pkgs.	List Price
FA-8292274	5	\$3.65

PISTON SEALS

Part Number	Bore Dia.	List Price
FA-8292275	180 mm	\$89.23

U-SEALS

Part Number	Rod Dia.	List Price
FA-79031333	90 mm	\$30.04

RETAINER RINGS

Part Number	List Price
FA-70925993	\$2.14
FA-70925994	4.01
FA-70925995	4.01
FA-70925996	4.11
FA-70926385	5.13
FA-70926776	0.87
FA-70926800	0.87
FA-70927575	1.24
FA-70927690	0.87
FA-70927691	0.92
FA-70927692	1.36
FA-70927693	1.01
FA-70927695	1.86
FA-70927696	1.86
FA-70927700	2.28
FA-70927701	3.74
FA-70927702	4.01
FA-70927704	4.42
FA-70928826	1.24
FA-70935974	3.51

Replacement Kits For

FIAT-HITACHI

Excavators						
APPLICATION	CODE	ROD	BORE	MISC	KIT #	List \$
MODEL FH120, FH130-1, FH130-2						
ARM	P-UB-1	80 mm			FH-71400106	98.00
	N-N-14		115 mm		FH-71400116	151.51
	Bushing	80 mm			FH-71400109	42.18
BOOM	I-UB-1	75 mm			FH-71400089	88.65
	N-N-14		105 mm		FH-71400092	204.00
	Bushing	75 mm			FH-71400087	40.36
BUCKET	P-UB-1	65 mm			FH-71400056	86.45
	N-N-14		95 mm		FH-71400069	102.99
	Bushing	65 mm			FH-71400058	32.39
MODEL FH130-3						
ARM	P-UB-1	80 mm			FH-71445694	134.56
	N-N-14		115 mm		FH-71445785	170.77
	Bushing	80 mm			FH-71447625	38.41
BOOM	I-UB-1	75 mm			FH-71445759	74.88
	N-N-10		105 mm		FH-71445781	157.06
	Bushing	75 mm			FH-71447626	40.36
BUCKET	P-UB-1	65 mm			FH-71445753	65.78
	N-N-10		95 mm		FH-71445777	87.37
	Bushing	65 mm			FH-71447627	33.19
MODEL FH150-1, FH150-1W, FH150-2						
ARM	P-UB-1	85 mm			FH-71400199	111.26
	N-N-14		120 mm		FH-71400231	206.75
	Bushing	85 mm			FH-71400202	46.01
BOOM	P-UB-1	80 mm			FH-71400106	98.00
	N-N-14		115 mm		FH-71400116	151.51
	Bushing	80 mm			FH-71400109	42.18
BUCKET	P-UB-1	80 mm			FH-71400106	98.00
	N-N-14		115 mm		FH-71400116	151.51
	Bushing	80 mm			FH-71400109	42.18
MODEL FH150-3						
ARM	P-UB-1	85 mm			FH-71445728	121.75
	N-N-14		120 mm		FH-71445708	194.99
	Bushing	85 mm			FH-71447620	43.09
BOOM	P-UB-1	80 mm			FH-71445694	134.56
	N-N-14		115 mm		FH-71445785	170.77
	Bushing	80 mm			FH-71447625	38.41
BUCKET	P-UB-1	80 mm			FH-71445694	134.56
	N-N-14		115 mm		FH-71445785	170.77
	Bushing	80 mm			FH-71447625	38.41
MODEL FH200-1, FH200-2						
ARM	P-UB-1	95 mm			FH-71400186	117.25
	N-N-14		135 mm		FH-71400161	197.91
	Bushing	95 mm			FH-71400189	55.06
BOOM	P-UB-1	85 mm			FH-71400199	111.26
	Bushing	85 mm			FH-71400202	46.01
BUCKET	P-UB-1	80 mm			FH-71400106	98.00
	N-N-14		120 mm		FH-71400231	206.75
	Bushing	80 mm			FH-71400109	42.18
MODEL FH200-3						
ARM	P-UB-1	95 mm			FH-71445615	156.51
	N-N-14		135 mm		FH-71445801	249.52
	Bushing	95 mm			FH-71447621	46.81
BOOM	P-UB-1	85 mm			FH-71445728	121.75
	N-N-14		120 mm		FH-71445708	194.99
	Bushing	85 mm			FH-71447620	43.09
BUCKET	P-UB-1	80 mm			FH-71445694	134.56
	N-N-14		120 mm		FH-71445708	194.99
	Bushing	80 mm			FH-71447625	38.41

FIAT-HITACHI

Replacement Kits For

FIAT-HITACHI

Excavators

APPLICATION	CODE	ROD	BORE	MISC	KIT #	List \$
MODEL FH220-1, FH220-2						
ARM	P-UB-1	100 mm			FH-71400133	124.95
	N-N-14		145 mm		FH-71400137	276.68
	Bushing	100 mm			FH-71400125	73.88
BOOM	P-UB-1	90 mm			FH-71400152	122.28
	N-N-14		135 mm		FH-71400161	197.91
	Bushing	90 mm			FH-71400155	53.07
BUCKET	P-UB-1	90 mm			FH-71400152	122.28
	N-N-14		135 mm		FH-71400161	197.91
	Bushing	90 mm			FH-71400155	53.07
MODEL FH220-3						
ARM	P-UB-1	100 mm			FH-71445765	161.88
	N-N-14		145 mm		FH-71445811	322.11
	Bushing	100 mm			FH-71447902	63.52
BOOM	P-UB-1	90 mm			FH-71445647	140.34
	N-N-14		135 mm		FH-71445801	249.52
	Bushing	90 mm			FH-71447622	41.15
BUCKET	P-UB-1	90 mm			FH-71445647	140.34
	N-N-14		135 mm		FH-71445801	249.52
	Bushing	90 mm			FH-71447622	41.15
MODEL FH300-1, FH300-2						
ARM	P-UB-1	110 mm			FH-71400275	152.90
	N-N-14		165 mm		FH-71400282	292.50
	Bushing	110 mm			FH-71400278	104.90
BOOM	P-UB-1	100 mm			FH-71400133	124.95
	N-N-14		145 mm		FH-71400137	276.68
	Bushing	100 mm			FH-71400125	73.88
BUCKET	P-UB-1	95 mm			FH-71400186	117.25
	N-N-14		145 mm		FH-71400137	276.68
	Bushing	95 mm			FH-71400189	55.06

FIAT-HITACHI

REPLACEMENT KITS FOR FIAT-HITACHI

NOTE: Fiat-Hitachi part numbers are used as a reference only. We do not imply that these kit are original REPLACEMENT KITS.

Kit Number	Code (Pg. xiv)	Rod Diameter	Bore Diameter	List Price
FH-71400056	P-UB-1	65 mm		\$86.45
FH-71400069	N-N-14		95 mm	102.99
FH-71400089	I-UB-1	75 mm		88.65
FH-71400092	N-N-14		105 mm	204.00
FH-71400106	P-UB-1	80 mm		98.00
FH-71400116	N-N-14		115 mm	151.51
FH-71400133	P-UB-1	100 mm		124.95
FH-71400137	N-N-14		145 mm	276.68
FH-71400152	P-UB-1	90 mm		122.28
FH-71400161	N-N-14		135 mm	197.91
FH-71400186	P-UB-1	95 mm		117.25
FH-71400199	P-UB-1	85 mm		111.26
FH-71400231	N-N-14		120 mm	206.75
FH-71400275	P-UB-1	110 mm		152.90
FH-71400282	N-N-14		165 mm	292.50
FH-71400375	P-UB-1	95 mm		51.74
FH-71408744	P-UB-1	70 mm		64.57
FH-71408756	N-N-10		105 mm	117.31
FH-71408778	P-UB-1	80 mm		68.94
FH-71408806	P-UB-1	65 mm		58.94
FH-71408811	N-N-10		95 mm	102.13
FH-71418431	P-UB-1	95 mm		75.95
FH-71418444	N-N-10		130 mm	102.09
FH-71418514	N-N-10		110 mm	103.72
FH-71418534	P-UB-1	90 mm		72.46
FH-71418539	O-rings + Back-ups		145 mm	4.87
FH-71418542	N-N-10		145 mm	141.58
FH-71445615	P-UB-1	95 mm		156.51

Kit Number	Code (Pg. xiv)	Rod Diameter	Bore Diameter	List Price
FH-71445647	P-UB-1	90 mm		\$140.34
FH-71445694	P-UB-1	80 mm		134.56
FH-71445708	N-N-10		120 mm	194.99
FH-71445728	P-UB-1	85 mm		121.75
FH-71445742	N-N-10		125 mm	88.49
FH-71445753	P-UB-1	65 mm		65.78
FH-71445759	I-UB-1	75 mm		74.88
FH-71445765	P-UB-1	100 mm		161.88
FH-71445777	N-N-10		95 mm	87.37
FH-71445781	N-N-10		105 mm	157.06
FH-71445785	N-N-10		115 mm	170.77
FH-71445801	N-N-10		135 mm	249.52
FH-71445811	N-N-10		145 mm	322.11
FH-71445827	O-rings + Back-ups			10.90
FH-71445830	O-rings + Back-ups			14.47
FH-71452214	O-rings + Back-ups		170 mm	8.44
FH-71465022	P-UB-1	100 mm		75.10
FH-71466446	N-N-10		115 mm	126.76
FH-71470391	P-UB-1	105 mm		95.88
FH-71470396	P-UB-1	115 mm		116.66
FH-71470402	N-N-10		150 mm	167.11
FH-71470405	N-N-10		170 mm	186.20
FH-71470408	O-rings + Back-ups		150 mm	5.56

REPLACEMENT PARTS FOR FIAT-HITACHI

NOTE: Fiat-Hitachi part numbers are used as a reference only. We do not imply that these kit are original REPLACEMENT PARTS.

O-RINGS

Part Number	Min. Pkgs.	List Price
FH-14472980	10	\$1.48
FH-14473180	10	1.48
FH-14473280	10	1.66
FH-14474480	5	1.88
FH-14474780	5	2.12
FH-14475380	5	2.62
FH-71400066	1	2.03
FH-71400090	5	2.33

ROD BUSHINGS

Part Number	Rod Diameter	List Price
FH-71400058	65 mm	\$32.39
FH-71447627	65 mm	33.19
FH-71400087	75 mm	40.36
FH-71447626	75 mm	40.36
FH-71400109	80 mm	42.18
FH-71447625	80 mm	38.41
FH-71400202	85 mm	46.01
FH-71447620	85 mm	43.09
FH-71400155	90 mm	53.07
FH-71447622	90 mm	41.15
FH-71400189	95 mm	55.06
FH-71447621	95 mm	46.81
FH-71400125	100 mm	73.88
FH-71447902	100 mm	63.52
FH-71400278	110 mm	104.90

FMC

Kit Number	Code (Pg. xiv)	Rod X Bore Size	List Price
FMC-232-7178-090	N-U,V-3	5/8 X 1-1/2	\$38.18
FMC-238-0858-090	P-V-7	2-1/2 X 5	125.07
FMC-238-4389-090	I-U-10	2-1/2 X 5	45.92
FMC-238-4529-090	P-V-7	1-1/2 X 4	122.62
FMC-239-4563-091	O-RING KIT		5.87
FMC-239-8317-090	I-V-5	1 X 2	56.42
FMC-360-4-0006	I-V-1	4-1/2 X 5	73.54
FMC-3X0094	P-U-10	1-1/2 X 3	34.73
FMC-507065	I-U-10	1-1/4 X 3	35.16
FMC-514-0246-090	I-U-4	2-1/2 X 5	62.25
FMC-514-0247-090	I-U-5	2-1/2 X 5	72.63
FMC-514-0844-090	I-U-1	2-1/2 X 3-1/2	50.14
FMC-514-0856-090	I-V-1	4-1/2 ROD KIT	38.32
FMC-514-1536-090	I-U-4	1-1/2 X 3-1/2	60.33
FMC-515-4130-090	I-V-5	2-1/2 X 5	93.48
FMC-515-6322-090	I-V-1	4-1/2 ROD KIT	65.57
FMC-515-8903-090	I-U-10	1-1/8 X 2-1/2	38.07
FMC-517-2118	P-U-5	1-1/4 X 3	67.35
FMC-517-2880	P-OB-3	1-1/4 X 3	17.02
FMC-519-9547-090	N-N-5	8" PISTON KIT	158.46
FMC-519-9548-090	P-U-10	3-1/2 X 6	72.63
FMC-519-9887-090	I-U-11	1-1/4 X 3	48.31
FMC-620-0104-090	I-U-11	3/4 X 1-1/2	23.46
FMC-620-0188-090	I-U-4	3 X 5	114.81
FMC-620-0190-090	I-U-4	2 X 3-1/2	59.73
FMC-620-0236-090	I-U-5	2 X 3-1/2	71.44
FMC-620-0307-090	I-U-11	1/2 X 1	31.47
FMC-620-0736-090	I-U-11	1-1/4 X 2	22.52
FMC-620-1545-090	I-U-5	3 X 4	146.29
FMC-620-1571-090	I-U-1	2-1/2 X 3	25.73
FMC-621-3234-090	I-U-1	2-1/2	21.61
FMC-621-5638-090	I-U-10	3/4 X 1-1/2	141.04
FMC-621-5639-090	I-U-10	3/4 X 1-1/2	19.55
FMC-621-5641-090	I-U-1	2-1/2 ROD KIT	77.29
FMC-621-5644-090	I-U-10	3 X 5	105.73
FMC-621-5645-090	I-U-10	2 X 3-1/2	85.83
FMC-621-5646-090	I-U-10	2 X 3-1/2	85.83
FMC-621-5658	O-RING KIT		6.67
FMC-624-0850-090	I-U-1	2-1/2 X 85 mm	21.32

FONTAINE

Kit Number	Description	List Price
FNT-38	3" - 8" Vee Sets & Wipers	\$310.50
FNT-3VSW	3" Vee Set & Wiper	34.12
FNT-46	4" - 6" Vee Sets & Wipers	138.37
FNT-48	4" - 8" Vee Sets & Wipers	276.33
FNT-4VSW	4" Vee Set & Wiper	29.56
FNT-58	5" - 8" Vee Sets & Wipers	237.81
FNT-5VSW	5" Vee Set & Wiper	36.06
FNT-6VSW	6" Vee Set & Wiper	40.58
FNT-7VSW	7" Vee Set & Wiper	47.24
FNT-8VSW	8" Vee Set & Wiper	58.64

REPLACEMENT SEAL KITS FOR FORD EQUIPMENT*

Replacement Seal Kits By Machine Type

Table of Contents

Machine Type		Page
Backhoe Loaders	340, 540, 340A, 540A, 340B, 540B, 445, 445A, 445C, 445D, 450, 455, 455C, 455D, 545, 545A, 545C, 545D, 550, 555, 555A, 555A-XL, 555B, 555C, 555D, 555E, 575D, 575E, 650, 655, 655A, 655C, 655D, 655E, 675D, 675E, 730, 740, 750, 753, 755, 755A, 755B, 5500-5550, 6500, 7500, A62, A64, A66	516 - 526
Tractors	2600, 3600, 4600, 4600-SU, 3400, 3500, 3550, 4400, 4500, 5600, 6600, 7600	526 - 527
Alpha-Numeric Kit Listing		528 - 529
Ford Individual Parts		529 - 530

*All manufacturer's names, part numbers and descriptions are used for reference purposes only. We do not imply that any part shown is the product of these manufacturers. We also do not imply that the list price shown is exactly that of the manufacturer.

Replacement Kits For

FORD

Backhoe Loaders								
APPLICATION	CYL #	Piston Type	SERIAL #	CODE	ROD	BORE	KIT #	List \$
MODEL 340, 540								
BACKHOE BUCKET	D8NN-B576-FB	1pc	78/9-81	P-UV-10	63 mm	90 mm	FD-251321	190.96
	D8NN-B576-FB	2pc	78/9-81	P-UV-9	63 mm	90 mm	FD-251032	293.86
BACKHOE CROWD	D8NN-B578-AA	1pc	78/9-81	P-SP-10	50 mm	100 mm	FD-251316	262.69
	D8NN-B578-AA	2pc	78/9-81	P-V-9	50 mm	100 mm	FD-251035	422.47
	D8NN-B578-CC	1pc	78/9-81	P-UV-10	63 mm	115 mm	FD-251319	157.79
	D8NN-B578-CC	2pc	78/9-81	P-UV-9	63 mm	115 mm	FD-251036	251.39
BACKHOE LIFT	D8NN-B577-BB	1pc	78/9-81	P-UV-10	56 mm	115 mm	FD-251318	202.80
	D8NN-B577-BB	2pc	78/9-81	P-UV-9	56 mm	115 mm	FD-251034	274.22
	D8NN-B577-CB	1pc	78/9-81	P-SP-10	50 mm	100 mm	FD-251316	262.69
	D8NN-B577-CB	2pc	78/9-81	P-V-9	50 mm	100 mm	FD-251035	422.47
BACKHOE STABILIZER	D8NN-B580-AA	2pc to 1pc	78/9-81	P-SP-10	50 mm	100 mm	FD-251339	218.43
	D8NN-B580-AA	2pc	78/9-81	P-UV-8	50 mm	100 mm	FD-251038	176.22
BACKHOE SWING	D8NN-B579-BE		78/9-81	P-UV-9	56 mm	110 mm	FD-251037	286.61
LOADER BUCKET	D8NN-L903-FC		3-81/9-81	P-U-10	35 mm	60 mm	FD-251369	56.13
LOADER LIFT	D8NN-L905-FD		3-81/9-81	P-SP-10	40 mm	60 mm	FD-251370	63.08
MODEL 340A, 540A								
BACKHOE BUCKET	D8NN-B576-EC	1pc	84/5-85	P-UV-10	63 mm	90 mm	FD-251321	190.96
	D8NN-B576-FB	1pc	10-81/5-85	P-UV-10	63 mm	90 mm	FD-251321	190.96
BACKHOE CROWD	D8NN-B578-AA	1pc	10-81/5-85	P-SP-10	50 mm	100 mm	FD-251316	262.69
	D8NN-B578-AB	1pc	82/5-85	P-SP-10	50 mm	100 mm	FD-251316	262.69
	D8NN-B578-CC	1pc	10-81/5-85	P-UV-10	63 mm	115 mm	FD-251319	157.79
BACKHOE LIFT	D8NN-B577-BB	1pc	10-81/5-85	P-UV-10	56 mm	115 mm	FD-251318	202.80
	D8NN-B577-CB	1pc	10-81/5-85	P-SP-10	50 mm	100 mm	FD-251316	262.69
BACKHOE STABILIZER	D8NN-B580-AA	2pc to 1pc	10-81/1-83	P-SP-10	50 mm	100 mm	FD-251339	218.43
	D8NN-B580-AA	2pc	10-81/1-83	P-UV-8	50 mm	100 mm	FD-251038	176.22
	D8NN-B580-AD	1pc	2-83/5-85	P-UV-10	56 mm	100 mm	FD-251315	131.46
BACKHOE SWING	D8NN-B579-BE		10-81/8-82	P-UV-9	56 mm	110 mm	FD-251037	286.61
	E0NN-B579-BB		9-82/5-85	P-UV-10	50 mm	110 mm	FD-251303	142.16
LOADER BUCKET	D8NN-L903-FC		10-81/5-85	P-U-10	35 mm	60 mm	FD-251369	56.13
LOADER LIFT	D8NN-L905-FD		10-81/5-85	P-SP-10	40 mm	60 mm	FD-251370	63.08
MODEL 340B, 540B								
BACKHOE BUCKET	D8NN-B576-EC	1pc	6-85/11-88	P-UV-10	63 mm	90 mm	FD-251321	190.96
	D8NN-B576-FB	1pc	6-85/11-88	P-UV-10	63 mm	90 mm	FD-251321	190.96
BACKHOE CROWD	D8NN-B578-AA	1pc	6-85/11-88	P-SP-10	50 mm	100 mm	FD-251316	262.69
	D8NN-B578-AB	1pc	6-85/11-88	P-SP-10	50 mm	100 mm	FD-251316	262.69
	D8NN-B578-CC	1pc	6-85/11-88	P-UV-10	63 mm	115 mm	FD-251319	157.79
BACKHOE LIFT	D8NN-B577-BB	1pc	6-85/11-88	P-UV-10	56 mm	115 mm	FD-251318	202.80
	D8NN-B577-CB	1pc	6-85/11-88	P-SP-10	50 mm	100 mm	FD-251316	262.69
BACKHOE STABILIZER	D8NN-B580-AD	1pc	6-85/6-87	P-UV-10	56 mm	100 mm	FD-251315	131.46
	E4NN-B580-AA	1pc	7-87/11-88	P-UV-10	56 mm	100 mm	FD-251315	131.46
BACKHOE SWING	E0NN-B579-BB		6-85/11-88	P-UV-10	50 mm	110 mm	FD-251303	142.16
LOADER BUCKET	D8NN-L903-FC		6-85/11-88	P-U-10	35 mm	60 mm	FD-251369	56.13
LOADER LIFT	D8NN-L905-FD		6-85/11-88	P-SP-10	40 mm	60 mm	FD-251370	63.08
MODEL 445								
BACKHOE BUCKET	D8NN-B576-EC	1pc	84/5-85	P-UV-10	63 mm	90 mm	FD-251321	190.96
	D8NN-B576-FB	2pc	78/11-81	P-UV-9	63 mm	90 mm	FD-251032	293.86
	D8NN-B576-FB	1pc	78/5-85	P-UV-10	63 mm	90 mm	FD-251321	190.96
BACKHOE CROWD	D8NN-B578-AA	2pc	78/11-81	P-V-9	50 mm	100 mm	FD-251035	422.47
	D8NN-B578-AA	1pc	78/5-85	P-SP-10	50 mm	100 mm	FD-251316	262.69
	D8NN-B578-AB	1pc	82/5-85	P-SP-10	50 mm	100 mm	FD-251316	262.69
	D8NN-B578-CC	2pc	78/11-81	P-UV-9	63 mm	115 mm	FD-251036	251.39
	D8NN-B578-CC	1pc	78/5-85	P-UV-10	63 mm	115 mm	FD-251319	157.79
BACKHOE LIFT	D8NN-B577-BB	2pc	78/11-81	P-UV-9	56 mm	115 mm	FD-251034	274.22
	D8NN-B577-BB	1pc	78/5-85	P-UV-10	56 mm	115 mm	FD-251318	202.80
	D8NN-B577-CB	2pc	78/11-81	P-V-9	50 mm	100 mm	FD-251035	422.47

FORD

FORD

Backhoe Loaders								
APPLICATION	CYL #	Piston Type	SERIAL #	CODE	ROD	BORE	KIT #	List \$
MODEL 445								
BACKHOE LIFT	D8NN-B577-CB	1pc	78/5-85	P-SP-10	50 mm	100 mm	FD-251316	262.69
BACKHOE STABILIZER	D8NN-B580-AA	2pc	78/1-83	P-UV-8	50 mm	100 mm	FD-251038	176.22
	D8NN-B580-AA	2pc to 1pc	78/1-83	P-SP-10	50 mm	100 mm	FD-251339	218.43
	D8NN-B580-AD	1pc	2-83/5-85	P-UV-10	56 mm	100 mm	FD-251315	131.46
BACKHOE SWING	D8NN-B579-BE		78/8-82	P-UV-9	56 mm	110 mm	FD-251037	286.61
	E0NN-B579-BB		9-82/5-85	P-UV-10	50 mm	110 mm	FD-251303	142.16
LOADER BUCKET	D8NN-L903-AF		78/5-85	P-SP-10	40 mm	70 mm	FD-251072	48.83
	D8NN-L903-DD		78/5-85	P-SP-10	40 mm	70 mm	FD-251072	48.83
LOADER LIFT	D8NN-L905-DG		78/5-85	P-SP-10	50 mm	70 mm	FD-251162	55.41
MODEL 445A								
BACKHOE BUCKET	D8NN-B576-EC	1pc	6-85/12-86	P-UV-10	63 mm	90 mm	FD-251321	190.96
	D8NN-B576-FB	1pc	6-85/12-86	P-UV-10	63 mm	90 mm	FD-251321	190.96
BACKHOE CROWD	D8NN-B578-AA	1pc	6-85/12-86	P-SP-10	50 mm	100 mm	FD-251316	262.69
	D8NN-B578-AB	1pc	6-85/12-86	P-SP-10	50 mm	100 mm	FD-251316	262.69
	D8NN-B578-CC	1pc	6-85/12-86	P-UV-10	63 mm	115 mm	FD-251319	157.79
BACKHOE LIFT	D8NN-B577-BB	1pc	6-85/12-86	P-UV-10	56 mm	115 mm	FD-251318	202.80
	D8NN-B577-CB	1pc	6-85/12-86	P-SP-10	50 mm	100 mm	FD-251316	262.69
BACKHOE STABILIZER	D8NN-B580-AD	1pc	6-85/12-86	P-UV-10	56 mm	100 mm	FD-251315	131.46
BACKHOE SWING	E0NN-B579-BB		6-85/12-86	P-UV-10	50 mm	110 mm	FD-251303	142.16
LOADER BUCKET	D8NN-L903-AF		6-85/12-86	P-SP-10	40 mm	70 mm	FD-251072	48.83
	D8NN-L903-DD		6-85/12-86	P-SP-10	40 mm	70 mm	FD-251072	48.83
LOADER LIFT	D8NN-L905-DG		6-85/12-86	P-SP-10	50 mm	70 mm	FD-251162	55.41
MODEL 445C								
LOADER BUCKET	F1NN-L903-BA		3-89/6-91, 7-91/-	P-UB-10	40 mm	70 mm	FD-FP419	91.57
LOADER LIFT	F1NN-L905-BB		3-89/6-91, 7-91/11-91	P-UB-10	50 mm	70 mm	FD-FP459	87.00
MODEL 445D								
LOADER BUCKET	F1NN-L903-BA		7-91/	P-UB-10	40 mm	70 mm	FD-FP419	91.57
LOADER LIFT	F1NN-L905-BB		7-91/11-92, 12-92/-	P-UB-10	50 mm	70 mm	FD-FP459	87.00
MODEL 450								
BACKHOE BUCKET	D8NN-B576-EC	1pc	87/11-88	P-UV-10	63 mm	90 mm	FD-251321	190.96
	D8NN-B576-FB	1pc	87/11-88	P-UV-10	63 mm	90 mm	FD-251321	190.96
BACKHOE CROWD	D8NN-B578-AA	1pc	87/11-88	P-SP-10	50 mm	100 mm	FD-251316	262.69
	D8NN-B578-AB	1pc	87/11-88	P-SP-10	50 mm	100 mm	FD-251316	262.69
	D8NN-B578-CC	1pc	87/11-88	P-UV-10	63 mm	115 mm	FD-251319	157.79
BACKHOE LIFT	D8NN-B577-BB	1pc	87/11-88	P-UV-10	56 mm	115 mm	FD-251318	202.80
	D8NN-B577-CB	1pc	87/11-88	P-SP-10	50 mm	100 mm	FD-251316	262.69
BACKHOE STABILIZER	D8NN-B580-AD	1pc	1-87/6-87	P-UV-10	56 mm	100 mm	FD-251315	131.46
	E4NN-B580-AA	1pc	7-87/11-88	P-UV-10	56 mm	100 mm	FD-251315	131.46
BACKHOE SWING	E0NN-B579-BB		87/11-88	P-UV-10	50 mm	110 mm	FD-251303	142.16
LOADER BUCKET	D8NN-L903-DD		87/11-88	P-SP-10	40 mm	70 mm	FD-251072	48.83
LOADER LIFT	D8NN-L905-DG		87/11-88	P-SP-10	50 mm	70 mm	FD-251162	55.41
MODEL 455								
BACKHOE BUCKET	D8NN-B576-EC		7-87/11-88	P-UV-10	63 mm	90 mm	FD-251321	190.96
	D8NN-B576-FB		7-87/11-88	P-UV-10	63 mm	90 mm	FD-251321	190.96
BACKHOE CROWD	D8NN-B578-AB		7/87-11-88	P-SP-10	50 mm	100 mm	FD-251316	262.69
	E6NN-B578-AA		7/87-11-88	P-SP-10	50 mm	100 mm	FD-251316	262.69
BACKHOE EXTENDABLE DIPSTICK	E4NN-C492-AA		7-87/11-88	P-V-10	50 mm	80 mm	FD-251317	193.67
BACKHOE LIFT	E6NN-B577-AA		7-87/11-88	P-SP-10	50 mm	100 mm	FD-251316	262.69
	E9NN-B577-AA		7-87/11-88	P-SP-10	50 mm	100 mm	FD-251316	262.69
BACKHOE STABILIZER	E4NN-B580-AA		7-87/11-88	P-UV-10	56 mm	100 mm	FD-251315	131.46
BACKHOE SWING	E6NN-B579-AA		7-87/11-88	P-UV-10	50 mm	110 mm	FD-251303	142.16
LOADER BUCKET LH	E0NN-L904-AA		7-87/11-88	P-U-10	1-1/2	3	FD-251363	39.55

Replacement Kits For

FORD

Backhoe Loaders								
APPLICATION	CYL #	Piston Type	SERIAL #	CODE	ROD	BORE	KIT #	List \$
MODEL 455								
LOADER BUCKET RH	E0NN-L903-AA		7-87/11-88	P-U-10	1-1/2	3	FD-251363	39.55
LOADER LIFT	E4NN-L905-AA		7-87/11-88	P-U-10	2	3	FD-251362	38.17
MODEL 455C								
BACKHOE BUCKET	E7NN-B576-AB		12-88/8-92	P-U-10	63 mm	90 mm	FD-FP456	105.42
BACKHOE CROWD	E7NN-B578-BC		12-88/12-91	P-UB-10	63 mm	115 mm	FD-FP455	139.85
	F1NN-B578-BA		1-92/8-92	P-UB-10	63 mm	115 mm	FD-FP455	139.85
BACKHOE EXTENDABLE DIPSTICK	E7NN-C492-AB		12-88/8-92	P-UB-10	50 mm	80 mm	FD-FP457	77.94
BACKHOE LIFT	E7NN-B577-CC		12-88/12-91	P-UB-10	56 mm	115 mm	FD-FP454	206.08
	F1NN-B577-AA		1-92/8-92	P-UB-10	56 mm	115 mm	FD-FP454	206.08
BACKHOE STABILIZER	E7NN-B580-AE		12-88/4-92	P-UB-10	56 mm	100 mm	FD-FP458	150.97
	F1NN-B580-AA		5-92/8-92	P-UB-10	56 mm	100 mm	FD-FP458	150.97
BACKHOE SWING	E7NN-B579-AC		12-88/8-92	P-UB-10	50 mm	110 mm	FD-FP460	153.19
LOADER BUCKET	E7NN-L903-BA		12-88/6-91	P-UB-10	40 mm	80 mm	FD-85804740	84.86
	F1NN-L903-CA		7-91/8-92	P-UB-10	40 mm	80 mm	FD-85804740	84.86
LOADER LIFT	E7NN-L905-AC		12-88/8-92	P-UB-10	50 mm	80 mm	FD-FP417	88.82
MODEL 455D								
BACKHOE BUCKET	E7NN-B576-AB		9-92/	P-U-10	63 mm	90 mm	FD-FP456	105.42
BACKHOE CROWD	F1NN-B578-BA		9-92/	P-UB-10	63 mm	115 mm	FD-FP455	139.85
BACKHOE EXTENDABLE DIPSTICK	E7NN-C492-AB		9-92/8-93	P-UB-10	50 mm	80 mm	FD-FP457	77.94
	E7NN-C492-AD		9-93/	P-UB-10	50 mm	80 mm	FD-FP457	77.94
BACKHOE LIFT	F1NN-B577-AA		9-92/	P-UB-10	56 mm	115 mm	FD-FP454	206.08
	F1NN-B580-AA		9-92/8-93	P-UB-10	56 mm	100 mm	FD-FP458	150.97
BACKHOE STABILIZER	F2NN-B580-AA		9-93/	P-UB-10	56 mm	100 mm	FD-FP458	150.97
	E7NN-B579-AC		9-92/8-93	P-UB-10	50 mm	110 mm	FD-FP460	153.19
BACKHOE SWING	E7NN-B579-AD		9-93/	P-UB-10	50 mm	110 mm	FD-FP460	153.19
	F1NN-L903-CA		9-92/	P-UB-10	40 mm	80 mm	FD-85804740	84.86
LOADER LIFT	E7NN-L905-AC		9-92/	P-UB-10	50 mm	80 mm	FD-FP417	88.82
MODEL 545								
BACKHOE BUCKET	D8NN-B576-EC	1pc	84/5-85	P-UV-10	63 mm	90 mm	FD-251321	190.96
	D8NN-B576-FB	2pc	78/11-81	P-UV-9	63 mm	90 mm	FD-251032	293.86
	D8NN-B576-FB	1pc	78/5-85	P-UV-10	63 mm	90 mm	FD-251321	190.96
BACKHOE CROWD	D8NN-B578-AA	2pc	78/11-81	P-V-9	50 mm	100 mm	FD-251035	422.47
	D8NN-B578-AA	1pc	78/5-85	P-SP-10	50 mm	100 mm	FD-251316	262.69
	D8NN-B578-AB	1pc	82/5-85	P-SP-10	50 mm	100 mm	FD-251316	262.69
	D8NN-B578-CC	2pc	78/11-81	P-UV-9	63 mm	115 mm	FD-251036	251.39
	D8NN-B578-CC	1pc	78/5-85	P-UV-10	63 mm	115 mm	FD-251319	157.79
BACKHOE LIFT	D8NN-B577-BB	2pc	78/11-81	P-UV-9	56 mm	115 mm	FD-251034	274.22
	D8NN-B577-BB	1pc	78/5-85	P-UV-10	56 mm	115 mm	FD-251318	202.80
	D8NN-B577-CB	2pc	78/11-81	P-V-9	50 mm	100 mm	FD-251035	422.47
	D8NN-B577-CB	1pc	78/5-85	P-SP-10	50 mm	100 mm	FD-251316	262.69
	D8NN-B580-AA	2pc	78/1-83	P-UV-8	50 mm	100 mm	FD-251038	176.22
BACKHOE STABILIZER	D8NN-B580-AA	2pc to 1pc	78/1-83	P-SP-10	50 mm	100 mm	FD-251339	218.43
	D8NN-B580-AD	1pc	2-83/5-85	P-UV-10	56 mm	100 mm	FD-251315	131.46
	D8NN-B579-BE		78/8-82	P-UV-9	56 mm	110 mm	FD-251037	286.61
BACKHOE SWING	E0NN-B579-BB		9-82/5-85	P-UV-10	50 mm	110 mm	FD-251303	142.16
	D8NN-L903-AF		78/5-85	P-SP-10	40 mm	70 mm	FD-251072	48.83
LOADER BUCKET	D8NN-L903-CE		78/5-85	P-U-10	40 mm	80 mm	FD-251073	70.42
	D8NN-L903-DD		78/5-85	P-SP-10	40 mm	70 mm	FD-251072	48.83
	D8NN-L905-CE		78/5-85	P-SP-10	50 mm	80 mm	FD-251074	58.06
LOADER LIFT	D8NN-L905-DG		78/5-85	P-SP-10	50 mm	70 mm	FD-251162	55.41
MODEL 545A								
BACKHOE BUCKET	D8NN-B576-EC	1pc	6-85/11-88	P-UV-10	63 mm	90 mm	FD-251321	190.96
	D8NN-B576-FB	1pc	6-85/11-88	P-UV-10	63 mm	90 mm	FD-251321	190.96
BACKHOE CROWD	D8NN-B578-AA	1pc	6-85/11-88	P-SP-10	50 mm	100 mm	FD-251316	262.69

FORD

FORD

Backhoe Loaders								
APPLICATION	CYL #	Piston Type	SERIAL #	CODE	ROD	BORE	KIT #	List \$
MODEL 545A								
BACKHOE CROWD	D8NN-B578-AB	1pc	6-85/11-88	P-SP-10	50 mm	100 mm	FD-251316	262.69
	D8NN-B578-CC	1pc	6-85/11-88	P-UV-10	63 mm	115 mm	FD-251319	157.79
BACKHOE LIFT	D8NN-B577-BB	1pc	6-85/11-88	P-UV-10	56 mm	115 mm	FD-251318	202.80
	D8NN-B577-CB	1pc	6-85/11-88	P-SP-10	50 mm	100 mm	FD-251316	262.69
BACKHOE STABILIZER	D8NN-B580-AD	1pc	6-85/6-87	P-UV-10	56 mm	100 mm	FD-251315	131.46
	E4NN-B580-AA	1pc	7-87/11-88	P-UV-10	56 mm	100 mm	FD-251315	131.46
BACKHOE SWING	E0NN-B579-BB		6-85/11-88	P-UV-10	50 mm	110 mm	FD-251303	142.16
LOADER BUCKET	D8NN-L903-AF		6-85/11-88	P-SP-10	40 mm	70 mm	FD-251072	48.83
	D8NN-L903-CE		6-85/11-88	P-U-10	40 mm	80 mm	FD-251073	70.42
	D8NN-L903-DD		6-85/11-88	P-SP-10	40 mm	70 mm	FD-251072	48.83
LOADER LIFT	D8NN-L905-CE		6-85/11-88	P-SP-10	50 mm	80 mm	FD-251074	58.06
	D8NN-L905-DG		6-85/11-88	P-SP-10	50 mm	70 mm	FD-251162	55.41
MODEL 545C								
LOADER BUCKET	E7NN-L903-BA		3-89/6-91	P-UB-10	40 mm	80 mm	FD-85804740	84.86
	F1NN-L903-CA		7-91/	P-UB-10	40 mm	80 mm	FD-85804740	84.86
LOADER LIFT	E7NN-L905-DA		3-89/6-91	P-UB-10	50 mm	80 mm	FD-FP417	88.82
	F1NN-L905-AB		7-91/11-92	P-UB-10	50 mm	80 mm	FD-FP417	88.82
MODEL 545D								
LOADER BUCKET	F1NN-L903-CA		7-91/	P-UB-10	40 mm	80 mm	FD-85804740	84.86
LOADER LIFT	F1NN-L905-AB		7-91/11-92, 12-92/	P-UB-10	50 mm	80 mm	FD-FP417	88.82
MODEL 550								
BACKHOE BUCKET	D5NN-B576-B		75/83	P-V-9	2-1/2	3.525	FD-309949	108.47
BACKHOE CROWD	D5NN-B578-C		75/83	P-V-9	2-1/4	4-1/2	FD-309948	118.35
	D7NN-B578-C		75/83	P-V-9	2	4	FD-309946	148.26
BACKHOE LIFT HEAVY DUTY	D7NN-B577-F		77/78	P-V-9	2-1/2	5	FD-309962	149.07
BACKHOE LIFT-CENTER PIVOT	D7NN-B577-B		75/83	P-V-9	2	4-1/2	FD-309947	122.22
	D7NN-B577-C		75/83	P-V-9	2	4	FD-309946	148.26
BACKHOE LIFT-SIDESHIFT	D7NN-B577-B		4-78/83	P-V-9	2	4-1/2	FD-309947	122.22
	D7NN-B577-D		75/3-78	P-V-9	2	4	FD-309946	148.26
BACKHOE STABILIZER-CENTERPIVOT	D7NN-B580-C		75/78	P-V-8	1-3/4	4	FD-309940	92.56
BACKHOE STABILIZER-SIDESHIFT	D8NN-B580-CA		75/83	P-V-8	1-1/2	3	FD-309974F	123.79
BACKHOE SWING-CENTER PIVOT	D7NN-B579-D		75/83	P-V-8	1-3/4	4-1/2	FD-309939	99.69
	D7NN-B579-E		75/83	P-V-8	1-3/4	4	FD-309940	92.56
LOADER BUCKET LH	D5NN-L904-A		75/83	P-U-8	1-1/2	3	FD-309985F	94.26
LOADER BUCKET RH	D5NN-L903-C		75/83	P-U-8	1-1/2	3	FD-309985F	94.26
LOADER LIFT	E3NN-L905-AA		75/83	P-U-8	2	3	FD-309984F	94.95
MODEL 555								
ARM		2pc		P-UV-9	63 mm	115 mm	FD-251036	251.39
		1pc		P-UV-10	63 mm	115 mm	FD-251319	157.79
BACKHOE BUCKET	D8NN-B576-EC	1pc	10-78/10-88	P-UV-10	63 mm	90 mm	FD-251321	190.96
	D8NN-B576-EC	2pc	10-78/11-81	P-UV-9	63 mm	90 mm	FD-251032	293.86
BACKHOE CROWD	D8NN-B578-BB	1pc	10-78/10-88	P-UV-10	63 mm	115 mm	FD-251319	157.79
	D8NN-B578-BB	2pc	10-78/11-81	P-UV-9	63 mm	115 mm	FD-251036	251.39
	D8NN-B578-CC	1pc	10-78/10-88	P-UV-10	63 mm	115 mm	FD-251319	157.79
	D8NN-B578-CC	2pc	10-78/11-81	P-UV-9	63 mm	115 mm	FD-251036	251.39
BACKHOE EXTENDABLE DIPSTICK	D8NN-C492-BB	1pc	10-78/7-87	P-V-10	50 mm	80 mm	FD-251317	193.67
BACKHOE LIFT	D8NN-B577-AB	1pc	10-78/10-88	P-UV-10	63 mm	125 mm	FD-251320	145.82
	D8NN-B577-AB	2pc	10-78/81	P-UV-9	63 mm	125 mm	FD-251033	282.53
	D8NN-B577-BB	1pc	10-78/10-88	P-UV-10	56 mm	115 mm	FD-251318	202.80
	D8NN-B577-BB	2pc	10-78/81	P-UV-9	56 mm	115 mm	FD-251034	274.22

FORD

Replacement Kits For

Backhoe Loaders								
APPLICATION	CYL #	Piston Type	SERIAL #	CODE	ROD	BORE	KIT #	List \$
MODEL 555								
BACKHOE STABILIZER-CENTERPIVOT	D8NN-B580-AA	1pc	10-78/1-83	P-SP-10	50 mm	100 mm	FD-251339	218.43
	D8NN-B580-AA	2pc	10-78/1-83	P-UV-8	50 mm	100 mm	FD-251038	176.22
	D8NN-B580-AD	1pc	2-83/6-87	P-UV-10	56 mm	100 mm	FD-251315	131.46
	E4NN-B580-AA	1pc	7-87/10-88	P-UV-10	56 mm	100 mm	FD-251315	131.46
BACKHOE STABILIZER-SIDESHIFT	E0NN-B580-AA		84/10-88	P-U-10	45 mm	70 mm	FD-251361	127.39
BACKHOE SWING	D8NN-B579-BE		10-78/8-82	P-UV-9	56 mm	110 mm	FD-251037	286.61
BACKHOE SWING-CENTER PIVOT	E6NN-B579-AA		9-82/10-88	P-UV-10	50 mm	110 mm	FD-251303	142.16
BACKHOE SWING-SIDESHIFT	E1NN-B579-AB		84/10-88	P-UV-10	50 mm	110 mm	FD-251303	142.16
LOADER BUCKET LH	D5NN-L904-A		10-78/83	P-U-8	1-1/2	3	FD-309985F	94.26
	E0NN-L904-AA		84/10-88	P-U-10	1-1/2	3	FD-251363	39.55
LOADER BUCKET RH	D5NN-L903-C		10-78/83	P-U-8	1-1/2	3	FD-309985F	94.26
	E0NN-L903-AA		84/10-88	P-U-10	1-1/2	3	FD-251363	39.55
LOADER LIFT	E3NN-L905-AA		10-78/83	P-U-8	2	3	FD-309984F	94.95
	E4NN-L905-AA		84/10-88	P-U-10	2	3	FD-251362	38.17
MODEL 555A								
BACKHOE BUCKET	D8NN-B576-EC	1pc	84/5-85	P-UV-10	63 mm	90 mm	FD-251321	190.96
BACKHOE CROWD	D8NN-B578-BB	1pc	84/5-85	P-UV-10	63 mm	115 mm	FD-251319	157.79
	D8NN-B578-CC	1pc	84/5-85	P-UV-10	63 mm	115 mm	FD-251319	157.79
BACKHOE EXTENDABLE DIPSTICK	D8NN-C492-BB	1pc	84/5-85	P-V-10	50 mm	80 mm	FD-251317	193.67
BACKHOE LIFT	D8NN-B577-AB	1pc	84/5-85	P-UV-10	63 mm	125 mm	FD-251320	145.82
	D8NN-B577-BB	1pc	84/5-85	P-UV-10	56 mm	115 mm	FD-251318	202.80
BACKHOE STABILIZER-CENTERPIVOT	D8NN-B580-AD	1pc	84/5-85	P-UV-10	56 mm	100 mm	FD-251315	131.46
BACKHOE STABILIZER-SIDESHIFT	E0NN-B580-AA		84/5-85	P-U-10	45 mm	70 mm	FD-251361	127.39
BACKHOE SWING-CENTER PIVOT	E6NN-B579-AA		84/5-85	P-UV-10	50 mm	110 mm	FD-251303	142.16
BACKHOE SWING-SIDESHIFT	E1NN-B579-AB		84/5-85	P-UV-10	50 mm	110 mm	FD-251303	142.16
LOADER BUCKET LH	E0NN-L904-AA		84/5-85	P-U-10	1-1/2	3	FD-251363	39.55
LOADER BUCKET RH	E0NN-L903-AA		84/5-85	P-U-10	1-1/2	3	FD-251363	39.55
LOADER LIFT	E4NN-L905-AA		84/5-85	P-U-10	2	3	FD-251362	38.17
MODEL 555A-XL								
BACKHOE BUCKET	D8NN-B576-EC			P-UV-10	63 mm	90 mm	FD-251321	190.96
BACKHOE CROWD	D8NN-B578-BB			P-UV-10	63 mm	115 mm	FD-251319	157.79
	D8NN-B578-CC			P-UV-10	63 mm	115 mm	FD-251319	157.79
BACKHOE EXTENDABLE DIPSTICK	D8NN-C492-BB			P-V-10	50 mm	80 mm	FD-251317	193.67
BACKHOE LIFT	D8NN-B577-AB			P-UV-10	63 mm	125 mm	FD-251320	145.82
	D8NN-B577-BB			P-UV-10	56 mm	115 mm	FD-251318	202.80
BACKHOE STABILIZER-CENTERPIVOT	D8NN-B580-AD			P-UV-10	56 mm	100 mm	FD-251315	131.46
BACKHOE STABILIZER-SIDESHIFT	E0NN-B580-AA			P-U-10	45 mm	70 mm	FD-251361	127.39
BACKHOE SWING-CENTER PIVOT	E6NN-B579-AA			P-UV-10	50 mm	110 mm	FD-251303	142.16
BACKHOE SWING-SIDESHIFT	E1NN-B579-AB			P-UV-10	50 mm	110 mm	FD-251303	142.16
LOADER BUCKET LH	E0NN-L904-AA			P-U-10	1-1/2	3	FD-251363	39.55
LOADER BUCKET RH	E0NN-L903-AA			P-U-10	1-1/2	3	FD-251363	39.55
LOADER LIFT	E4NN-L905-AA			P-U-10	2	3	FD-251362	38.17
MODEL 555B								
BACKHOE BUCKET	D8NN-B576-EC	1pc	6-85/10-88	P-UV-10	63 mm	90 mm	FD-251321	190.96

FORD

Backhoe Loaders								
APPLICATION	CYL #	Piston Type	SERIAL #	CODE	ROD	BORE	KIT #	List \$
MODEL 555B								
BACKHOE CROWD	D8NN-B578-BB	1pc	6-85/10-88	P-UV-10	63 mm	115 mm	FD-251319	157.79
	D8NN-B578-CC	1pc	6-85/10-88	P-UV-10	63 mm	115 mm	FD-251319	157.79
BACKHOE LIFT	D8NN-B577-AB	1pc	6-85/10-88	P-UV-10	63 mm	125 mm	FD-251320	145.82
	D8NN-B577-BB	1pc	6-85/10-88	P-UV-10	56 mm	115 mm	FD-251318	202.80
BACKHOE STABILIZER-CENTERPIVOT	D8NN-B580-AD	1pc	6-85/6-87	P-UV-10	56 mm	100 mm	FD-251315	131.46
	E4NN-B580-AA	1pc	7-87/10-88	P-UV-10	56 mm	100 mm	FD-251315	131.46
BACKHOE STABILIZER-SIDESHIFT	E0NN-B580-AA		6-85/10-88	P-U-10	45 mm	70 mm	FD-251361	127.39
BACKHOE SWING-CENTER PIVOT	E6NN-B579-AA		6-85/10-88	P-UV-10	50 mm	110 mm	FD-251303	142.16
BACKHOE SWING-SIDESHIFT	E1NN-B579-AB		6-85/10-88	P-UV-10	50 mm	110 mm	FD-251303	142.16
LOADER BUCKET LH	E0NN-L904-AA		6-85/10-88	P-U-10	1-1/2	3	FD-251363	39.55
LOADER BUCKET RH	E0NN-L903-AA		6-85/10-88	P-U-10	1-1/2	3	FD-251363	39.55
LOADER LIFT	E4NN-L905-AA		6-85/10-88	P-U-10	2	3	FD-251362	38.17
MODEL 555C								
BACKHOE BUCKET	E7NN-B576-AB		11-88/8-92	P-U-10	63 mm	90 mm	FD-FP456	105.42
BACKHOE CROWD	F1NN-B578-AA		11-88/8-92	P-UB-10	63 mm	115 mm	FD-FP455	139.85
BACKHOE EXTENDABLE DIPSTICK	E7NN-C492-AB		11-88/8-92	P-UB-10	50 mm	80 mm	FD-FP457	77.94
BACKHOE LIFT W/HED	E7NN-B577-AE		11-88/12-91	P-UB-10	63 mm	125 mm	FD-85804741	200.01
BACKHOE LIFT W/O HED	E7NN-B577-BE		11-88/12-91	P-UB-10	56 mm	115 mm	FD-FP454	206.08
BACKHOE STABILIZER-CENTERPIVOT	F2NN-B580-AA		11-88/8-92	P-UB-10	56 mm	100 mm	FD-FP458	150.97
BACKHOE STABILIZER-SIDESHIFT	E7NN-B580-BA		11-88/8-92	P-UB-10	50 mm	70 mm	FD-FP459	87.00
BACKHOE SWING - CENTER PIVOT	E7NN-B579-BA		11-88/8-92	P-UB-10	50 mm	110 mm	FD-FP460	153.19
BACKHOE SWING - SIDE SHIFT	E7NN-B579-BA		11-88/8-92	P-UB-10	50 mm	110 mm	FD-FP460	153.19
LOADER BUCKET LH	F1NN-L904-AA		11-88/8-92	P-UB-10	40 mm	80 mm	FD-85804740	84.86
LOADER BUCKET RH	F1NN-L903-AA		11-88/8-92	P-UB-10	40 mm	80 mm	FD-85804740	84.86
LOADER BUCKET-MULTIPURPOSE	E7NN-A136-AA		11-88/5-92	P-UB-10	40 mm	70 mm	FD-FP419	91.57
LOADER LIFT	E7NN-L905-BB		11-88/8-92	P-UB-10	50 mm	80 mm	FD-FP417	88.82
MODEL 555D								
BACKHOE BUCKET	E7NN-B576-AB		9-92/	P-U-10	63 mm	90 mm	FD-FP456	105.42
BACKHOE CROWD	F1NN-B578-AA		9-92/	P-UB-10	63 mm	115 mm	FD-FP455	139.85
BACKHOE EXTENDABLE DIPSTICK	E7NN-C492-AB		9-92/8-93	P-UB-10	50 mm	80 mm	FD-FP457	77.94
	E7NN-C492-AD		9-93/	P-UB-10	50 mm	80 mm	FD-FP457	77.94
BACKHOE LIFT W/HED	F1NN-B577-CA		9-92/	P-UB-10	63 mm	125 mm	FD-85804741	200.01
BACKHOE LIFT W/O HED	F1NN-B577-BA		9-92/	P-UB-10	56 mm	115 mm	FD-FP454	206.08
BACKHOE STABILIZER-CENTERPIVOT	F2NN-B580-AA		9-92/	P-UB-10	56 mm	100 mm	FD-FP458	150.97
BACKHOE STABILIZER-SIDESHIFT	E7NN-B580-BA		9-92/8-93	P-UB-10	50 mm	70 mm	FD-FP459	87.00
	E7NN-B580-BB		9-93/	P-UB-10	50 mm	70 mm	FD-FP459	87.00
BACKHOE SWING - CENTER PIVOT	E7NN-B579-AB		9-92/8-93	P-UB-10	50 mm	110 mm	FD-FP460	153.19
	E7NN-B579-AD		9-93/	P-UB-10	50 mm	110 mm	FD-FP460	153.19
BACKHOE SWING - SIDE SHIFT	E7NN-B579-BA		9-92/8-93	P-UB-10	50 mm	110 mm	FD-FP460	153.19
	E7NN-B579-BC		9-93/	P-UB-10	50 mm	110 mm	FD-FP460	153.19
LOADER BUCKET LH	F1NN-L904-AA		9-92/	P-UB-10	40 mm	80 mm	FD-85804740	84.86
LOADER BUCKET RH	F1NN-L903-AA		9-92/	P-UB-10	40 mm	80 mm	FD-85804740	84.86

FORD

Replacement Kits For

Backhoe Loaders								
APPLICATION	CYL #	Piston Type	SERIAL #	CODE	ROD	BORE	KIT #	List \$
MODEL 555D								
LOADER BUCKET-MULTIPURPOSE	F1NN-A136-AA		9-92/	P-UB-10	40 mm	70 mm	FD-FP419	91.57
LOADER LIFT	E7NN-L905-BC		4-93/	P-UB-10	50 mm	80 mm	FD-FP417	88.82
POWER STEERING	F1NN-3A540-AA		5-92/	I-U-10	40 mm	2-3/4	FD-FINN3A539AA	55.02
MODEL 555E								
BACKHOE BOOM LIFT	85800400			P-UB-10	63 mm	125 mm	FD-85804741	200.01
BACKHOE BUCKET	83962129			P-U-10	63 mm	90 mm	FD-85804743	165.67
BACKHOE CROWD	81873434			P-UB-10	63 mm	115 mm	FD-85804742	220.07
BACKHOE H.E.D.	85800800			P-UB-10	50 mm	70 mm	FD-85802569	86.91
BACKHOE STABILIZER	85800600			P-UB-10	56 mm	100 mm	FD-83971999	150.97
BACKHOE SWING	85800300			P-UB-10	50 mm	110 mm	FD-85802570	98.74
LOADER BUCKET	85800500			P-UB-10	40 mm	80 mm	FD-85804740	84.86
LOADER LIFT	85800100			P-UB-10	50 mm	90 mm	FD-85802567	85.50
MODEL 575D								
BACKHOE BUCKET	E7NN-B576-AB		9-92/	P-U-10	63 mm	90 mm	FD-FP456	105.42
BACKHOE CROWD	F1NN-B578-AA		9-92/	P-UB-10	63 mm	115 mm	FD-FP455	139.85
BACKHOE EXTENDABLE DIPSTICK	E7NN-C492-AD		9-93/	P-UB-10	50 mm	80 mm	FD-FP457	77.94
BACKHOE STABILIZER-CENTERPIVOT	F2NN-B580-AA		9-92/	P-UB-10	56 mm	100 mm	FD-FP458	150.97
BACKHOE STABILIZER-SIDESHIFT	E7NN-B580-BA		9-92/8-93	P-UB-10	50 mm	70 mm	FD-FP459	87.00
	E7NN-B580-BB		9-93/	P-UB-10	50 mm	70 mm	FD-FP459	87.00
BACKHOE SWING - CENTER PIVOT	E7NN-B579-AD		9-93/	P-UB-10	50 mm	110 mm	FD-FP460	153.19
	E7NN-B579-BA		9-92/8-93	P-UB-10	50 mm	110 mm	FD-FP460	153.19
BACKHOE SWING - SIDE SHIFT	E7NN-B579-BA		9-92/8-93	P-UB-10	50 mm	110 mm	FD-FP460	153.19
	E7NN-B579-BC		9-93/	P-UB-10	50 mm	110 mm	FD-FP460	153.19
LOADER BUCKET LH	F1NN-L904-AA		9-92/	P-UB-10	40 mm	80 mm	FD-85804740	84.86
LOADER BUCKET RH	F1NN-L903-AA		9-92/	P-UB-10	40 mm	80 mm	FD-85804740	84.86
LOADER BUCKET-MULTIPURPOSE	F1NN-A136-AA		9-92/	P-UB-10	40 mm	70 mm	FD-FP419	91.57
LOADER LIFT	E7NN-L905-BC		4-93/	P-UB-10	50 mm	80 mm	FD-FP417	88.82
MODEL 575E								
BACKHOE BOOM LIFT	85800400			P-UB-10	63 mm	125 mm	FD-85804741	200.01
BACKHOE BUCKET	83962129			P-U-10	63 mm	90 mm	FD-85804743	165.67
BACKHOE CROWD	81873434			P-UB-10	63 mm	115 mm	FD-85804742	220.07
BACKHOE H.E.D.	85800800			P-UB-10	50 mm	70 mm	FD-85802569	86.91
BACKHOE STABILIZER	85800600			P-UB-10	56 mm	100 mm	FD-83971999	150.97
BACKHOE SWING	85800300			P-UB-10	50 mm	110 mm	FD-85802570	98.74
LOADER BUCKET	85800500			P-UB-10	40 mm	80 mm	FD-85804740	84.86
LOADER LIFT	85800100			P-UB-10	50 mm	90 mm	FD-85802567	85.50
MODEL 650								
BACKHOE BUCKET	D5NN-B576-B		11-75/77	P-V-9	2-1/2	3.525	FD-309949	108.47
BACKHOE CROWD	D7NN-B578-B		11-75/77	P-V-9	2-1/4	4-1/2	FD-309948	118.35
BACKHOE LIFT	D7NN-B577-F		11-75/77	P-V-9	2-1/2	5	FD-309962	149.07
BACKHOE STABILIZER	D7NN-B580-C		11-75/77	P-V-8	1-3/4	4	FD-309940	92.56
BACKHOE SWING	D7NN-B579-D		11-75/77	P-V-8	1-3/4	4-1/2	FD-309939	99.69
LOADER BUCKET	D7NN-L903-A		11-75/77	P-V-9	2-1/4	4	FD-309951	131.34
LOADER HYDRO BUCKET	7708113		11-75/77	P-U-13	2	3	FD-7708145	65.76
LOADER LIFT	D7NN-L905-F		11-75/77	P-V-9	2-1/4	4	FD-309951	131.34
MODEL 655								
BACKHOE BUCKET		2pc		P-V-9	2-1/2	3.525	FD-309949	108.47
	D8NN-B576-EC	1pc	7-85/10-88	P-UV-10	63 mm	90 mm	FD-251321	190.96
BACKHOE CROWD		2pc		P-V-9	2-1/4	4-1/2	FD-309948	118.35
	D8NN-B578-BB	1pc	7-85/10-88	P-UV-10	63 mm	115 mm	FD-251319	157.79

FORD

FORD

Replacement Kits For

Backhoe Loaders								
APPLICATION	CYL #	Piston Type	SERIAL #	CODE	ROD	BORE	KIT #	List \$
MODEL 655								
BACKHOE CROWD	D8NN-B578-CC	1pc	7-85/10-88	P-UV-10	63 mm	115 mm	FD-251319	157.79
BACKHOE EXTENDABLE DIPSTICK	D8NN-C492-BB	1pc	7-85/7-87	P-V-10	50 mm	80 mm	FD-251317	193.67
BACKHOE LIFT		2pc		P-V-9	2	4-1/2	FD-309947	122.22
	D8NN-B577-AB	1pc	7-85/10-88	P-UV-10	63 mm	125 mm	FD-251320	145.82
	D8NN-B577-BB	1pc	7-85/10-88	P-UV-10	56 mm	115 mm	FD-251318	202.80
BACKHOE STABILIZER		2pc		P-V-8	1-3/4	4	FD-309940	92.56
BACKHOE STABILIZER-CENTERPIVOT	D8NN-B580-AD	1pc	7-85/6-87	P-UV-10	56 mm	100 mm	FD-251315	131.46
	E4NN-B580-AA	1pc	7-87/10-88	P-UV-10	56 mm	100 mm	FD-251315	131.46
BACKHOE STABILIZER-SIDESHIFT	E0NN-B580-AA		7-85/10-88	P-U-10	45 mm	70 mm	FD-251361	127.39
BACKHOE SWING		2pc		P-V-8	1-3/4	4-1/2	FD-309939	99.69
BACKHOE SWING-CENTER PIVOT	E6NN-B579-AA		7-85/10-88	P-UV-10	50 mm	110 mm	FD-251303	142.16
BACKHOE SWING-SIDESHIFT	E1NN-B579-AB		7-85/10-88	P-UV-10	50 mm	110 mm	FD-251303	142.16
LOADER BUCKET LH	E0NN-L904-AA		7-85/10-88	P-U-10	1-1/2	3	FD-251363	39.55
LOADER BUCKET RH	E0NN-L903-AA		7-85/10-88	P-U-10	1-1/2	3	FD-251363	39.55
LOADER LIFT	E4NN-L905-AA		7-85/10-88	P-U-10	2	3	FD-251362	38.17
MODEL 655A								
BACKHOE BUCKET	D8NN-B576-EC	1pc	6-85/10-88	P-UV-10	63 mm	90 mm	FD-251321	190.96
BACKHOE CROWD	D8NN-B578-BB	1pc	6-85/10-88	P-UV-10	63 mm	115 mm	FD-251319	157.79
	D8NN-B578-CC	1pc	6-85/10-88	P-UV-10	63 mm	115 mm	FD-251319	157.79
BACKHOE EXTENDABLE DIPSTICK	D8NN-C492-BB	1pc	6-85/7-87	P-V-10	50 mm	80 mm	FD-251317	193.67
BACKHOE LIFT	D8NN-B577-AB	1pc	6-85/10-88	P-UV-10	63 mm	125 mm	FD-251320	145.82
	D8NN-B577-BB	1pc	6-85/10-88	P-UV-10	56 mm	115 mm	FD-251318	202.80
BACKHOE STABILIZER-CENTERPIVOT	D8NN-B580-AD	1pc	6-85/6-87	P-UV-10	56 mm	100 mm	FD-251315	131.46
	E4NN-B580-AA	1pc	7-87/10-88	P-UV-10	56 mm	100 mm	FD-251315	131.46
BACKHOE STABILIZER-SIDESHIFT	E0NN-B580-AA		6-85/10-88	P-U-10	45 mm	70 mm	FD-251361	127.39
BACKHOE SWING-CENTER PIVOT	E6NN-B579-AA		6-85/10-88	P-UV-10	50 mm	110 mm	FD-251303	142.16
BACKHOE SWING-SIDESHIFT	E1NN-B579-AB		6-85/10-88	P-UV-10	50 mm	110 mm	FD-251303	142.16
LOADER BUCKET LH	E0NN-L904-AA		6-85/10-88	P-U-10	1-1/2	3	FD-251363	39.55
LOADER BUCKET RH	E0NN-L903-AA		6-85/10-88	P-U-10	1-1/2	3	FD-251363	39.55
LOADER LIFT	E4NN-L905-AA		6-85/10-88	P-U-10	2	3	FD-251362	38.17
MODEL 655C								
BACKHOE BUCKET	E7NN-B576-AB		11-88/8-92	P-U-10	63 mm	90 mm	FD-FP456	105.42
BACKHOE CROWD	F1NN-B578-AA		11-88/8-92	P-UB-10	63 mm	115 mm	FD-FP455	139.85
BACKHOE EXTENDABLE DIPSTICK	E7NN-C492-BD		11-88/8-92	P-UB-10	50 mm	80 mm	FD-FP457	77.94
BACKHOE LIFT	E7NN-B577-AE		11-88/12-91	P-UB-10	63 mm	125 mm	FD-85804741	200.01
BACKHOE STABILIZER-CENTERPIVOT	F2NN-B580-AA		11-88/8-92	P-UB-10	56 mm	100 mm	FD-FP458	150.97
BACKHOE STABILIZER-SIDESHIFT	E7NN-B580-BA		11-88/8-92	P-UB-10	50 mm	70 mm	FD-FP459	87.00
BACKHOE SWING - CENTER PIVOT	E7NN-B579-BA		11-88/8-92	P-UB-10	50 mm	110 mm	FD-FP460	153.19
BACKHOE SWING - SIDE SHIFT	E7NN-B579-BA		11-88/8-92	P-UB-10	50 mm	110 mm	FD-FP460	153.19
LOADER BUCKET LH	F1NN-L904-AA		11-88/8-92	P-UB-10	40 mm	80 mm	FD-85804740	84.86
LOADER BUCKET RH	F1NN-L903-AA		11-88/8-92	P-UB-10	40 mm	80 mm	FD-85804740	84.86
LOADER BUCKET-MULTIPURPOSE	E7NN-A136-AA		11-88/5-92	P-UB-10	40 mm	70 mm	FD-FP419	91.57

FORD

FORD

Replacement Kits For

Backhoe Loaders								
APPLICATION	CYL #	Piston Type	SERIAL #	CODE	ROD	BORE	KIT #	List \$
MODEL 655C								
LOADER LIFT	E7NN-L905-BB		11-88/8-92	P-UB-10	50 mm	80 mm	FD-FP417	88.82
MODEL 655D								
BACKHOE BUCKET	E7NN-B576-AB		9-92/	P-U-10	63 mm	90 mm	FD-FP456	105.42
BACKHOE CROWD	F1NN-B578-AA		9-92/	P-UB-10	63 mm	115 mm	FD-FP455	139.85
BACKHOE EXTENDABLE DIPSTICK	E7NN-C492-BD		9-92/	P-UB-10	50 mm	80 mm	FD-FP457	77.94
BACKHOE LIFT	F1NN-B577-CA		9-92/	P-UB-10	63 mm	125 mm	FD-85804741	200.01
BACKHOE STABILIZER- CENTERPIVOT	F2NN-B580-AA		9-92/	P-UB-10	56 mm	100 mm	FD-FP458	150.97
BACKHOE STABILIZER- SIDESHIFT	E7NN-B580-BA		9-92/8-93	P-UB-10	50 mm	70 mm	FD-FP459	87.00
	E7NN-B580-BB		9-93/	P-UB-10	50 mm	70 mm	FD-FP459	87.00
BACKHOE SWING - CENTER PIVOT	E7NN-B579-AD		9-93/	P-UB-10	50 mm	110 mm	FD-FP460	153.19
	E7NN-B579-BA		9-92/8-93	P-UB-10	50 mm	110 mm	FD-FP460	153.19
BACKHOE SWING - SIDE SHIFT	E7NN-B579-BA		9-92/8-93	P-UB-10	50 mm	110 mm	FD-FP460	153.19
	E7NN-B579-BC		9-93/	P-UB-10	50 mm	110 mm	FD-FP460	153.19
LOADER BUCKET LH	F1NN-L904-AA		9-92/	P-UB-10	40 mm	80 mm	FD-85804740	84.86
LOADER BUCKET RH	F1NN-L903-AA		9-92/	P-UB-10	40 mm	80 mm	FD-85804740	84.86
LOADER BUCKET- MULTIPURPOSE	F1NN-A136-AA		9-92/	P-UB-10	40 mm	70 mm	FD-FP419	91.57
LOADER LIFT	E7NN-L905-BC		4-93/	P-UB-10	50 mm	80 mm	FD-FP417	88.82
MODEL 655E								
BACKHOE BOOM LIFT	85800200			P-UB-10	63 mm	5-1/8	FD-85802568	283.17
BACKHOE BUCKET	83962129			P-U-10	63 mm	90 mm	FD-85804743	165.67
BACKHOE CROWD	81873434			P-UB-10	63 mm	115 mm	FD-85804742	220.07
BACKHOE H.E.D.	85800700			P-UB-10	50 mm	70 mm	FD-85802569	86.91
BACKHOE STABILIZER	85800600			P-UB-10	56 mm	100 mm	FD-83971999	150.97
BACKHOE SWING	85800300			P-UB-10	50 mm	110 mm	FD-85802570	98.74
LOADER BUCKET	85800500			P-UB-10	40 mm	80 mm	FD-85804740	84.86
LOADER LIFT	85800100			P-UB-10	50 mm	90 mm	FD-85802567	85.50
MODEL 675D								
BACKHOE BUCKET	E7NN-B576-AB		9-92/	P-U-10	63 mm	90 mm	FD-FP456	105.42
BACKHOE CROWD	F1NN-B578-AA		9-92/	P-UB-10	63 mm	115 mm	FD-FP455	139.85
BACKHOE EXTENDABLE DIPSTICK	E7NN-C492-BD		9-92/	P-UB-10	50 mm	80 mm	FD-FP457	77.94
BACKHOE STABILIZER- CENTERPIVOT	F2NN-B580-AA		9-92/	P-UB-10	56 mm	100 mm	FD-FP458	150.97
BACKHOE STABILIZER- SIDESHIFT	E7NN-B580-BA		9-92/8-93	P-UB-10	50 mm	70 mm	FD-FP459	87.00
	E7NN-B580-BB		9-93/	P-UB-10	50 mm	70 mm	FD-FP459	87.00
BACKHOE SWING - CENTER PIVOT	E7NN-B579-AD		9-93/	P-UB-10	50 mm	110 mm	FD-FP460	153.19
	E7NN-B579-BA		9-92/8-93	P-UB-10	50 mm	110 mm	FD-FP460	153.19
BACKHOE SWING - SIDE SHIFT	E7NN-B579-BA		9-92/8-93	P-UB-10	50 mm	110 mm	FD-FP460	153.19
	E7NN-B579-BC		9-93/	P-UB-10	50 mm	110 mm	FD-FP460	153.19
LOADER BUCKET LH	F1NN-L904-AA		9-92/	P-UB-10	40 mm	80 mm	FD-85804740	84.86
LOADER BUCKET RH	F1NN-L903-AA		9-92/	P-UB-10	40 mm	80 mm	FD-85804740	84.86
LOADER BUCKET- MULTIPURPOSE	F1NN-A136-AA		9-92/	P-UB-10	40 mm	70 mm	FD-FP419	91.57
LOADER LIFT	E7NN-L905-BC		4-93/	P-UB-10	50 mm	80 mm	FD-FP417	88.82
MODEL 675E								
BACKHOE BOOM LIFT	85800200			P-UB-10	63 mm	5-1/8	FD-85802568	283.17
BACKHOE BUCKET	83962129			P-U-10	63 mm	90 mm	FD-85804743	165.67
BACKHOE CROWD	81873434			P-UB-10	63 mm	115 mm	FD-85804742	220.07

FORD

FORD

Replacement Kits For

Backhoe Loaders								
APPLICATION	CYL #	Piston Type	SERIAL #	CODE	ROD	BORE	KIT #	List \$
MODEL 675E								
BACKHOE H.E.D.	85800700			P-UB-10	50 mm	70 mm	FD-85802569	86.91
BACKHOE STABILIZER	85800600			P-UB-10	56 mm	100 mm	FD-83971999	150.97
BACKHOE SWING	85800300			P-UB-10	50 mm	110 mm	FD-85802570	98.74
LOADER BUCKET	85800500			P-UB-10	40 mm	80 mm	FD-85804740	84.86
LOADER LIFT	85800100			P-UB-10	50 mm	90 mm	FD-85802567	85.50
MODEL 730								
LOADER BUCKET				P-V-8	1-1/4	2	FD-309957	38.33
LOADER LIFT				P-V-8	1-1/2	2	FD-309956	56.21
MODEL 740								
LOADER BUCKET				P-V-8	1-1/2	3	FD-309959	70.22
LOADER LIFT				P-V-8	2	3	FD-309960	76.68
MODEL 750								
BACKHOE BUCKET	D5NN-B576-C		11-75/78	P-V-9	2-1/2	4	FD-309970	135.38
BACKHOE CROWD	D7NN-B578-A		11-75/78	P-V-9	2-1/2	5	FD-309962	149.07
BACKHOE LIFT	D7NN-B577-A		11-75/78	P-V-9	2-1/2	5-1/2	FD-309963	158.60
BACKHOE STABILIZER	D7NN-B580-A		11-75/78	P-V-8	2	4-1/2	FD-309941	112.68
BACKHOE SWING	D5NN-B579-D		11-75/78	P-V-9	1-3/4	3-1/2	FD-309950	127.50
LOADER BUCKET	D7NN-L903-A		11-75/78	P-V-9	2-1/4	4	FD-309951	131.34
LOADER HYDRO BUCKET	7708113		11-75/78	P-U-13	2	3	FD-7708145	65.76
LOADER LIFT	D7NN-L905-A		11-75/78	P-V-9	2-1/4	3-3/4	FD-309969	127.50
MODEL 753								
BACKHOE BUCKET				P-V-9	2-1/2	3.525	FD-309949	108.47
BACKHOE CROWD				P-V-9	2	4	FD-309946	148.26
BACKHOE LIFT				P-V-9	2	4	FD-309946	148.26
BACKHOE STABILIZER				P-V-8	1-3/4	4	FD-309940	92.56
BACKHOE SWING				P-V-8	1-3/4	4	FD-309940	92.56
MODEL 755								
BACKHOE BUCKET		2pc		P-V-9	2-1/2	3.525	FD-309949	108.47
	D5NN-B576-C		78/83	P-V-9	2-1/2	4	FD-309970	135.38
BACKHOE CROWD		2pc		P-V-9	2-1/4	4-1/2	FD-309948	118.35
	D7NN-B578-A		78/5-79	P-V-9	2-1/2	5	FD-309962	149.07
	E8NN-B578-AA		6-79/83	P-UV-9	63 mm	125 mm	FD-251160	288.70
BACKHOE LIFT		2pc		P-V-9	2	4-1/2	FD-309947	122.22
	D7NN-B577-A		78/5-79	P-V-9	2-1/2	5-1/2	FD-309963	158.60
	D9NN-B577-AA		6-79/83	P-UV-9	63 mm	150 mm	FD-251159	300.01
BACKHOE STABILIZER		2pc		P-V-8	1-3/4	4	FD-309940	92.56
	D7NN-B580-A		78/83	P-V-8	2	4-1/2	FD-309941	112.68
BACKHOE SWING		2pc		P-V-8	1-3/4	4-1/2	FD-309939	99.69
	D5NN-B579-D		78/83	P-V-9	1-3/4	3-1/2	FD-309950	127.50
LOADER BUCKET	D7NN-L903-A		78/83	P-V-9	2-1/4	4	FD-309951	131.34
LOADER HYDRO BUCKET	7708113		78/83	P-U-13	2	3	FD-7708145	65.76
LOADER LIFT	D7NN-L905-A		78/83	P-V-9	2-1/4	3-3/4	FD-309969	127.50
MODEL 755A								
BACKHOE BUCKET	D5NN-B576-C		84/5-86	P-V-9	2-1/2	4	FD-309970	135.38
	E5NN-B576-AA		6-86/12-86	P-UV-10	56 mm	100 mm	FD-251315	131.46
BACKHOE CROWD	E8NN-B578-AA		84/86	P-UV-9	63 mm	125 mm	FD-251160	288.70
BACKHOE LIFT	D9NN-B577-AA		84/86	P-UV-9	63 mm	150 mm	FD-251159	300.01
BACKHOE STABILIZER	D7NN-B580-A		84/86	P-V-8	2	4-1/2	FD-309941	112.68
BACKHOE SWING	D5NN-B579-D		83/5-86	P-V-9	1-3/4	3-1/2	FD-309950	127.50
	E6NN-B579-AA		6-86/12-86	P-UV-10	50 mm	110 mm	FD-251303	142.16
LOADER BUCKET	D7NN-L903-A		84/5-86	P-V-9	2-1/4	4	FD-309951	131.34
	E5NN-L903-AA		6-86/12-86	P-UV-10	56 mm	100 mm	FD-251315	131.46
LOADER HYDRO BUCKET	7708113		84/86	P-U-13	2	3	FD-7708145	65.76
LOADER LIFT	D7NN-L905-A		84/5-86	P-V-9	2-1/4	3-3/4	FD-309969	127.50
	E5NN-L905-AA		6-86/12-86	P-UV-10	56 mm	100 mm	FD-251315	131.46

FORD

FORD

Replacement Kits For

Backhoe Loaders								
APPLICATION	CYL #	Piston Type	SERIAL #	CODE	ROD	BORE	KIT #	List \$
MODEL 755B								
BACKHOE BUCKET	E5NN-B576-AA		87/10-88	P-UV-10	56 mm	100 mm	FD-251315	131.46
	E8NN-B576-AA		11-88	P-UB-10	56 mm	100 mm	FD-FP398	117.92
BACKHOE CROWD	E8NN-B578-AA		11-88/	P-UB-9	63 mm	125 mm	FD-FP528	270.87
	E8NN-B578-AA		87/10-88	P-UV-9	63 mm	125 mm	FD-251160	288.70
BACKHOE EXTENDABLE DIPSTICK	E6NN-C492-AA		5-87/2-89	P-V-10	50 mm	80 mm	FD-251317	193.67
	E7NN-C492-BD		3-89/	P-UB-10	50 mm	80 mm	FD-FP457	77.94
BACKHOE LIFT	D9NN-B577-AA		87/	P-UV-9	63 mm	150 mm	FD-251159	300.01
BACKHOE STABILIZER	D7NN-B580-A		87/10-88	P-V-8	2	4-1/2	FD-309941	112.68
	E8NN-B580-AA		11-88/	P-UB-10	56 mm	115 mm	FD-FP410	112.56
BACKHOE SWING	E6NN-B579-AA		87/10-88	P-UV-10	50 mm	110 mm	FD-251303	142.16
	E7NN-B579-AB		11-88/	P-UB-10	50 mm	110 mm	FD-FP460	153.19
LOADER BUCKET	E5NN-L903-AA		87/10-88	P-UV-10	56 mm	100 mm	FD-251315	131.46
	E8NN-L903-AA		11-88/	P-UB-10	56 mm	100 mm	FD-FP398	117.92
LOADER HYDRO BUCKET	7708113		87/	P-U-13	2	3	FD-7708145	65.76
LOADER LIFT	E5NN-L905-AA		87/10-88	P-UV-10	56 mm	100 mm	FD-251315	131.46
	E8NN-L905-AA		11-88/	P-UB-10	56 mm	100 mm	FD-FP398	117.92
MODEL 5500-5550								
BACKHOE ARM				P-V-9	2-1/2	5	FD-309962	149.07
BACKHOE BUCKET				P-V-9	2-1/2	3.525	FD-309949	108.47
BACKHOE LIFT				P-V-9	2-1/2	5-1/2	FD-309963	158.60
BACKHOE STABILIZER				P-V-8	2	4-1/2	FD-309941	112.68
BACKHOE SWING				P-V-9	1-3/4	3-1/2	FD-309950	127.50
LOADER BUCKET				P-V-9	2-1/2	4	FD-309970	135.38
LOADER LIFT				P-V-9	2-1/4	4	FD-309951	131.34
MODEL 6500								
BACKHOE BUCKET	D5NN-B576-B		73/10-75	P-V-9	2-1/2	3.525	FD-309949	108.47
BACKHOE CROWD	D7NN-B578-B		73/10-75	P-V-9	2-1/4	4-1/2	FD-309948	118.35
BACKHOE LIFT	D7NN-B577-F		73/10-75	P-V-9	2-1/2	5	FD-309962	149.07
BACKHOE STABILIZER	D7NN-B580-C		73/10-75	P-V-8	1-3/4	4	FD-309940	92.56
BACKHOE SWING	D7NN-B579-D		73/10-75	P-V-8	1-3/4	4-1/2	FD-309939	99.69
LOADER BUCKET	D7NN-L903-A		73/10-75	P-V-9	2-1/4	4	FD-309951	131.34
LOADER HYDRO BUCKET	7708113		73/10-75	P-U-13	2	3	FD-7708145	65.76
LOADER LIFT	D7NN-L905-F		73/10-75	P-V-9	2-1/4	4	FD-309951	131.34
MODEL 7500								
BACKHOE BUCKET	D5NN-B576-C		73/10-75	P-V-9	2-1/2	4	FD-309970	135.38
BACKHOE CROWD	D7NN-B578-A		73/10-75	P-V-9	2-1/2	5	FD-309962	149.07
BACKHOE LIFT	D7NN-B577-A		73/10-75	P-V-9	2-1/2	5-1/2	FD-309963	158.60
BACKHOE STABILIZER	D7NN-B580-A		73/10-75	P-V-8	2	4-1/2	FD-309941	112.68
BACKHOE SWING	D5NN-B579-D		73/10-75	P-V-9	1-3/4	3-1/2	FD-309950	127.50
LOADER BUCKET	D7NN-L903-A		73/10-75	P-V-9	2-1/4	4	FD-309951	131.34
LOADER HYDRO BUCKET	7708113		73/10-75	P-U-13	2	3	FD-7708145	65.76
LOADER LIFT	D7NN-L905-A		73/10-75	P-V-9	2-1/4	3-3/4	FD-309969	127.50
MODEL A62								
LOADER BUCKET				P-V-9	2-1/2	5-1/2	FD-309977	174.74
LOADER LIFT				P-V-9	2	4-1/2	FD-309980	134.90
MODEL A64								
LOADER BUCKET				P-V-9	3	6	FD-309978	185.72
LOADER LIFT				P-V-9	2-1/2	5.025	FD-309981	152.46
MODEL A66								
LOADER BUCKET				P-V-9	3	6-1/2	FD-309979	204.75
LOADER LIFT				P-V-9	2-1/2	5-1/2	FD-309963	158.60
Tractors								
APPLICATION	CYL #	Piston Type	SERIAL #	CODE	ROD	BORE	KIT #	List \$
MODEL	7102266			N-OB-1	1-1/4		FD-7102289	13.52

FORD

FORD

Replacement Kits For

Tractors								
APPLICATION	CYL #	Piston Type	SERIAL #	CODE	ROD	BORE	KIT #	List \$
MODEL								
	CED2NNC846C			P-OB-10	1-1/4	3	FD-CE41300922	62.76
	CED2NNC846D			P-OB-10	7/8	2	FD-CE41200904	27.66
	D2NN-C846-A			I-U-3	1-3/8	3	FD-DHPNC846A	30.19
	D2NN-C846-B			I-TR-3	1-3/8	3-1/2	FD-DHPNC846D	29.12
	D2NN-C846-C			I-TR-3	1-3/8	3	FD-DHPNC846C	29.77
	D2NN-C846-D			I-TR-3	1	2	FD-DHPNC846B	21.69
	D8NN-C846-AA			I-U-3	1-3/8	3-1/2	FD-PRNPMCK5916	30.57
	MPP20TB08			I-TR-3	1	2	FD-DHPNC846B	21.69
	MPP30TB08			I-TR-3	1-3/8	3	FD-DHPNC846C	29.77
	MPP35TB08			I-TR-3	1-3/8	3-1/2	FD-DHPNC846D	29.12
MODEL 2600, 3600, 4600, 4600-SU								
ACCESSORY	D2NN-C846-B		75/81	I-TR-3	1-3/8	3-1/2	FD-DHPNC846D	29.12
	D2NN-C846-C		75/81	I-TR-3	1-3/8	3	FD-DHPNC846C	29.77
	D2NN-C846-D		75/81	I-TR-3	1	2	FD-DHPNC846B	21.69
MODEL 3400, 3500, 3550, 4400, 4500								
ACCESSORY	7102266		65/74	N-OB-1	1-1/4		FD-7102289	13.52
	D2NN-C846-B		65/74	I-TR-3	1-3/8	3-1/2	FD-DHPNC846D	29.12
	D2NN-C846-C		65/74	I-TR-3	1-3/8	3	FD-DHPNC846C	29.77
	D2NN-C846-D		65/74	I-TR-3	1	2	FD-DHPNC846B	21.69
MODEL 5600								
ACCESSORY	D2NN-C846-A		75/81	I-U-3	1-3/8	3	FD-DHPNC846A	30.19
	D8NN-C846-AA		75/81	I-U-3	1-3/8	3-1/2	FD-PRNPMCK5916	30.57
MODEL 6600, 7600								
ACCESSORY	D2NN-C846-A		75/81	I-U-3	1-3/8	3	FD-DHPNC846A	30.19
	D2NN-C846-B		75/81	I-TR-3	1-3/8	3-1/2	FD-DHPNC846D	29.12
	D2NN-C846-C		75/81	I-TR-3	1-3/8	3	FD-DHPNC846C	29.77
	D2NN-C846-D		75/81	I-TR-3	1	2	FD-DHPNC846B	21.69
	D8NN-C846-AA		75/81	I-U-3	1-3/8	3-1/2	FD-PRNPMCK5916	30.57

FORD

REPLACEMENT KITS FOR FORD EQUIPMENT

FORD

Kit Number	Code (Pg. xiv)	Pist.	Rod X Bore Size	List Price
FD-251032	P-UV-9	2 pc.	63 X 90 mm	\$293.86
FD-251033	P-UV-9	2 pc.	63 X 125 mm	282.53
FD-251034	P-UV-9	2 pc.	56 X 115 mm	274.22
FD-251035	P-V-9	2 pc.	50 X 100 mm	422.47
FD-251036	P-UV-9	2 pc.	63 X 115 mm	251.39
FD-251037	P-UV-9	2 pc.	56 X 110 mm	286.61
FD-251038	P-UV-8	2 pc.	50 X 100 mm	176.22
FD-251072	P-UV-8	1 pc.	40 X 70 mm	48.83
FD-251073	P-U-10	1 pc.	40 X 80 mm	70.42
FD-251074	P-U-10	1 pc.	50 X 80 mm	58.06
FD-251074B	P-U-10	1 pc.	50 X 80 mm	88.82
FD-251159	P-UV-9	2 pc.	63 X 150 mm	300.01
FD-251160	P-UV-9	2 pc.	63 X 125 mm	288.70
FD-251162	P-U-10	1 pc.	50 X 70 mm	55.41
FD-251303	P-UV-10	1 pc.	50 X 110 mm	142.16
FD-251315	P-UV-10	1 pc.	56 X 100 mm	131.46
FD-251316	P-UV-10	1 pc.	50 X 100 mm	262.69
FD-251317	P-V-10	1 pc.	50 X 80 mm	193.67
FD-251318	P-UV-10	1 pc.	56 X 115 mm	202.80
FD-251319	P-UV-10	1 pc.	63 X 115 mm	157.79
FD-251320	P-UV-10	1 pc.	63 X 125 mm	145.82
FD-251321	P-UV-10	1 pc.	63 X 90 mm	190.96
FD-251339	P-UV-10	2 pc.	50 X 100 mm	218.43
FD-251361	P-U-10	1 pc.	45 X 70 mm	127.39
FD-251362	P-U-10	1 pc.	2 X 3	38.17
FD-251363	P-U-10	1 pc.	1-1/2 X 3	39.55
FD-251369	P-U-10	1 pc.	35 X 60 mm	56.13
FD-251370	P-U-10	1 pc.	40 X 60 mm	63.08
FD-309938	P-V-8	2 pc.	1-3/4 x 3-1/2	111.30
FD-309939	P-V-8	2 pc.	1-3/4 X 4-1/2	99.69
FD-309940	P-V-8	2 pc.	1-3/4 X 4	92.56
FD-309941	P-V-8	2 pc.	2 X 4-1/2	112.68
FD-309945	P-V-9	2 pc.	1-3/4 X 3-1/2	124.02
FD-309946	P-V-9	2 pc.	2 X 4	148.26
FD-309947	P-V-9	2 pc.	2 X 4-1/2	122.22
FD-309948	P-V-9	2 pc.	2-1/4 X 4-1/2	118.35
FD-309949	P-V-9	2 pc.	2-1/2 X 3-1/2	108.47
FD-309950	P-V-9	2 pc.	1-3/4 X 3-1/2	127.50
FD-309951	P-V-9	2 pc.	2-1/4 X 4	131.34
FD-309956	P-V-8	2 pc.	1-1/2 X 2	56.21
FD-309957	P-V-8	2 pc.	1-1/4 X 2	38.33
FD-309959	P-V-8	2 pc.	1-1/2 X 3	70.22

Kit Number	Code (Pg. xiv)	Pist.	Rod X Bore Size	List Price
FD-309960	P-V-8	2 pc.	2 X 3	\$76.68
FD-309962	P-V-9	2 pc.	2-1/2 X 5	149.07
FD-309963	P-V-9	2 pc.	2-1/2 X 5-1/2	158.60
FD-309969	P-V-9	2 pc.	2-1/4 X 3-3/4	127.50
FD-309970	P-V-9	2 pc.	2-1/2 X 4	135.38
FD-309974F	P-V-8	2 pc.	1-1/2 X 3	123.79
FD-309977	P-V-9	2 pc.	2-1/2 X 5-1/2	174.74
FD-309978	P-V-9	2 pc.	3 X 6	185.72
FD-309979	P-V-9	2 pc.	3 X 6-1/2	204.75
FD-309980	P-V-9	2 pc.	2 X 4-1/2	134.90
FD-309981	P-V-9	2 pc.	2-1/2 X 5.025	152.46
FD-309984	P-U-8	2 pc.	2 X 3.025	63.63
FD-309984F	P-U-8	2 pc.	2 X 3	94.95
FD-309985	P-U-8	2 pc.	1-1/2 X 3.025	40.17
FD-309985F	P-U-8	2 pc.	1-1/2 X 3	94.26
FD-7708145	P-U-13	1 pc.	2 X 3	65.76
FD-83971999	P-UB-10	1 pc.	56 X 100 mm	150.97
FD-85802567	P-UB-10	1 pc.	50 X 90 mm	85.50
FD-85802568	P-UB-10	1 pc.	63 mm X 5.125	283.17
FD-85802569	P-UB-10	1 pc.	50 X 70 mm	86.91
FD-85802570	I-UB-10	1 pc.	50 X 110 mm	98.74
FD-85804740	P-UB-10	1 pc.	40 X 80 mm	84.86
FD-85804741	P-UB-10	1 pc.	63 X 125 mm	200.01
FD-85804742	P-UB-10	1 pc.	63 X 115 mm	220.07
FD-85804743	P-U-10	1 pc.	63 X 90 mm	165.67
FD-FINN3A539AA	I-U-10	1 pc.	40 mm X 2-3/4	55.02
FD-FP398	P-UB-10	1 pc.	56 X 100 mm	117.92
FD-FP410	P-UB-10	1 pc.	56 X 115 mm	112.56
FD-FP417	P-UB-10	1 pc.	50 X 80 mm	88.82
FD-FP419	P-UB-10	1 pc.	40 X 70 mm	91.57
FD-FP454	P-UB-10	1 pc.	56 x 115 mm	206.08
FD-FP455	P-UB-10	1 pc.	63 x 115 mm	139.85
FD-FP456	P-U-10	1 pc.	63 x 90 mm	105.42
FD-FP457	P-UB-10	1 pc.	50 X 80 mm	77.94
FD-FP458	P-UB-10	1 pc.	56 X 100 mm	150.97
FD-FP459	P-UB-10	1 pc.	50 X 70 mm	87.00
FD-FP460	P-UB-10	1 pc.	50 x 110 mm	153.19
FD-FP528	P-UB-9	1 pc.	63 X 125 mm	270.87

FORD TRACTORS

Kit Number	Code (Pg. xiv)	Rod X Bore Size	List Price
FD-7102289	N-OB-1	1-1/4 ROD	\$13.52
FD-CE41200904	P-OB-10	7/8 X 2	27.66
FD-CE41300922	P-OB-10	1-1/4 X 3	62.76
FD-DHPNC846B	I-TR-3	1 X 2	21.69
FD-DHPNC846C	I-TR-3	1-3/8 X 3	29.77

FORD VEE SETS

Part Number	I.D.	O.D.	H.	List Price
FVS12504S079	1-1/4	1-3/4	.079	\$12.04
FVS15004S128	1-1/2	2	1.265	15.80
FVS15004U087	1-1/2	2	7/8	22.25
FVS22504U087	2-1/4	2-3/4	7/8	24.14
FVS25004U087	2-1/2	3	7/8	23.72
FVS25004X100	2-1/2	3	1	28.64
FVS30206S118	2.275	3.025	1-3/16	34.57
FVS35206S102	2.775	3.525	1.015	35.55
FVS37706D102	3.025	3.775	1.015	37.52
FVS40206D102	3.275	4.025	1.015	56.92
FVS45206D102	3.775	4.525	1.015	58.89
FVS45206S102	3.775	4.525	1.015	55.70
FVS50206D102	4.275	5.025	1.015	52.36
FVS55206D102	4.775	5.525	1.015	57.28
FVS60206D102	5-1/4	6	1.015	69.50
FVS65206D102	5-3/4	6-1/2	1.015	83.96

REPLACEMENT PARTS FOR FORD

NOTE: Ford part numbers are used as a reference only. We do not imply that these kits are original REPLACEMENT PARTS.

BACK-UP RINGS

Part Number	Min Pkg Qty	List Price
FD-7701432	10	\$1.37
FD-83912407	10	1.13
FD-83963261	2	16.61
FD-83963264	2	12.43

BUFFER RINGS

Part Number	Rod Dia.	List Price
FD-83962601	40 mm	\$10.54
FD-83963211	56 mm	11.91

O-RINGS

Part Number	Min Pkg Qty	List Price
FD-83911408	5	\$2.62
FD-83937337	10	1.59
FD-83963231	10	1.62
FD-87031S91	50	0.08
FD-87032S92	50	0.08
FD-87033S91	50	0.08
FD-87034S92	50	0.08
FD-87036S92	50	0.10
FD-87037S92	50	0.10
FD-87039S91	50	0.11
FD-87043S92	50	0.13
FD-NCA38368	50	0.10

ROD BUSHINGS

Part Number	Rod Dia.	List Price
FD-83963215	56 mm	\$13.90

U-SEALS

Part Number	Rod Dia.	List Price
FD-83962600	40 mm	\$16.25
FD-83986700	56 mm	23.28

WIPERS

Part Number	Rod Dia.	List Price
FD-83910527	56 mm	\$23.12
FD-83910528	63 mm	26.87
FD-83912409	40 mm	24.51

FRANKLIN

Repair parts for Franklin are available online at www.HerculesUS.com or by contacting the Hercules Sales Team at the information provided below.

FRUEHAUF BOTTOM DUMP AIR CYLINDERS

Repair parts for Fruehauf are available online at www.HerculesUS.com or by contacting the Hercules Sales Team at the information provided below.

FURUKAWA

Kit Number	Code (Pg. xiv)	Rod X Bore Size	List Price
FUR-341541-99110	P-U-5	40 X 80	\$193.65
FUR-341831-99110	P-U-5	65 X 140	187.17
FUR-341831-99120	I-U-5	55 X 110	158.25

GALBREATH ROLL-OFF

Kit Number	Code (Pg. xiv)	Rod X Bore Size	List Price
GLB-1110	I-U-12	4-1/2 X 6	\$197.21
GLB-1905		NB1669-1	13.24
GLB-2473	I-U-12	3 X 7	158.46
GLB-2481		X73-37-17	9.11
GLB-3135	I-U-1	3 Rod Kit	39.63

GALION-DRESSER

Kit Number	Description	List Price
GD-D48664	5-1/2" Double Acting Vee Set	\$52.22
GD-D50182	3-1/2" Double Acting Vee Set	87.65
GD-D63806	11-1/4" X 12 Vee Set	265.07

GARWOOD

Repair parts for Garwood are available online at www.HerculesUS.com or by contacting the Hercules Sales Team at the information provided below.

Forklifts

APPLICATION	CYL #	SERIAL #	CODE	ROD	BORE	KIT #	List \$
MODEL 552, 553							
ATTACHMENT ROTATE	L63594		I-U-10	1	2-1/2	GEHL-L99170	49.34
ATTACHMENT SLAVE	L63014		I-U-11	1-3/4	3-1/2	GEHL-L98527	51.06
ATTACHMENT TILT	L63013		I-U-11	2	4	GEHL-L98548	79.96
BOOM EXTEND	L63012		I-U-11	2-1/2	3-1/2	GEHL-L98558	98.38
BOOM LIFT	L63199		I-U-11	2-1/2	4-1/2	GEHL-L98521	90.38
FORK SHIFT	L66920		I-U-10	1-1/4	2	GEHL-L99958	103.42
FRAME LEVEL	L63015		I-U-11	1-3/4	4	GEHL-L98506	59.94
STEER	L98444		I-U-10	45 mm	90 mm	GEHL-L98565	152.43
MODEL 663							
BOOM EXTEND	L64333		I-U-10	3	4	GEHL-L99386	107.62
BOOM LIFT	L64014		I-U-10	3	4	GEHL-L99331	154.06
CARRIER SLAVE	L61869		I-U-10	1-3/4	3-1/2	GEHL-L99332	80.93
CARRIER TILT	L61868		I-U-10	2	4	GEHL-L99385	119.72
FRAME SWAY	L64054	Prior-4319	I-U-10	3	4	GEHL-L97674	90.21
	L64085	4320-4356	P-U-5	1-3/4	4	GEHL-L97903	86.31
	L64818	4357-UP	I-U-10	1-3/4	4	GEHL-L99382	100.71
ROTATE CARRIAGE	L61317		I-U-10	1-3/8	3	GEHL-L97769	60.02
STEER	L97649-L97976		I-U-10	1-1/8	2-1/4	GEHL-L97978	47.94
MODEL 883							
ATTACHMENT TILT	L49988A	7001-7004	I-U-10	2-1/2	5	GEHL-L97716	129.27
	L64086	7005-7444	P-U-10	2-1/2	5	GEHL-L97922	104.42
BOOM EXTEND	L64385	7001-7004	I-U-10	3-1/2	4-1/2	GEHL-L97713	104.10
	L66770	7446-UP	I-U-10	3-1/2	4-1/2	GEHL-L99376	124.93
BOOM LIFT	L64083	7005-7445	I-U-10	3-1/2	4-1/2	GEHL-L97908	69.70
	L64401	7001-7004	I-U-10	3-1/2	4-1/2	GEHL-L97711	86.79
BOOM SLAVE	L64087	7001-7004	I-U-10	2-1/4	4-1/2	GEHL-L97917	72.62
	L64087	7005-7171	I-U-10	2-1/4	4-1/2	GEHL-L97715	81.16
	L66032	7172-7444	I-U-10	2-1/4	4-1/2	GEHL-L97917	72.62
	L66666	7445-UP	I-U-11	2-1/4	5	GEHL-L99330	120.23
FORK SHIFT	L66920		I-U-10	1-1/4	2	GEHL-L99958	103.42
FRAME LEVEL	L64085	7005-7445	P-U-5	1-3/4	4	GEHL-L97903	86.31
	L64818	7001-7004, 7446-UP	I-U-10	1-3/4	4	GEHL-L99382	100.71
MAST LIFT	L66537		I-U-10	2	3	GEHL-L98848	49.49
OUTRIGGER	L64968	Prior-7386	I-U-10	2-1/2	4	GEHL-L97938	57.07
	L66642	7387-UP	I-U-11	2-1/2	4	GEHL-L99059	77.05
ROTATE CARRIAGE	L61317		I-U-10	1-3/8	3	GEHL-L97769	60.02
STEER	L97649		I-U-10	1-1/8	2-1/4	GEHL-L97978	47.94
	L99428		I-U-10	1-1/8	3	GEHL-L99430	60.69
SWING CARRIAGE	L63970	2781-UP	I-U-10	1-1/4	2-1/2	GEHL-L99944	48.44
	L65659	Prior-2780	I-U-10	1-3/8	3	GEHL-L97955	76.77
Loaders - Skid Steer							
APPLICATION	CYL #	SERIAL #	CODE	ROD	BORE	KIT #	List \$
MODEL SL4240E							
LIFT	170-35000		I-U-10,12	1-1/4	2-1/4	GEHL-190-32923	19.23
TILT	190828		I-U-10,12	1-1/4	2-1/4	GEHL-190-32923	19.23
MODEL SL4640E							
LIFT	139452		I-U-10	1-1/2	2-1/2	GEHL-134848	17.72
TILT	183399		I-U-10	1-3/8	2-1/2	GEHL-134849	19.29
MODEL SL4840E							
LIFT	139452		I-U-10	1-1/2	2-1/2	GEHL-134848	17.72
TILT	183399		I-U-10	1-3/8	2-1/2	GEHL-134849	19.29
MODEL SL5240E							
LIFT	139452		I-U-10	1-1/2	2-1/2	GEHL-134848	17.72
TILT	183399		I-U-10	1-3/8	2-1/2	GEHL-134849	19.29

Loaders - Skid Steer							
APPLICATION	CYL #	SERIAL #	CODE	ROD	BORE	KIT #	List \$
MODEL SL5640E							
LIFT	186074		I-U-10	1-1/2	2-3/4	GEHL-131299	17.08
TILT	183387		I-U-10	1-1/2	2-3/4	GEHL-131299	17.08
MODEL SL6640E							
LIFT	186074		I-U-10	1-1/2	2-3/4	GEHL-131299	17.08
TILT	183387		I-U-10	1-1/2	2-3/4	GEHL-131299	17.08

Forklifts							
APPLICATION	CYL #	SERIAL #	CODE	ROD	BORE	KIT #	List \$
MODEL 552, 553							
ATTACHMENT ROTATE	L63594		I-U-10	1	2-1/2	GEHL-L99170	49.34
ATTACHMENT SLAVE	L63014		I-U-11	1-3/4	3-1/2	GEHL-L98527	51.06
ATTACHMENT TILT	L63013		I-U-11	2	4	GEHL-L98548	79.96
BOOM EXTEND	L63012		I-U-11	2-1/2	3-1/2	GEHL-L98558	98.38
BOOM LIFT	L63199		I-U-11	2-1/2	4-1/2	GEHL-L98521	90.38
FORK SHIFT	L66920		I-U-10	1-1/4	2	GEHL-L99958	103.42
FRAME LEVEL	L63015		I-U-11	1-3/4	4	GEHL-L98506	59.94
STEER	L98444		I-U-10	45 mm	90 mm	GEHL-L98565	152.43
MODEL 663							
BOOM EXTEND	L64333		I-U-10	3	4	GEHL-L99386	107.62
BOOM LIFT	L64014		I-U-10	3	4	GEHL-L99331	154.06
CARRIER SLAVE	L61869		I-U-10	1-3/4	3-1/2	GEHL-L99332	80.93
CARRIER TILT	L61868		I-U-10	2	4	GEHL-L99385	119.72
FRAME SWAY	L64054	Prior-4319	I-U-10	3	4	GEHL-L97674	90.21
	L64085	4320-4356	P-U-5	1-3/4	4	GEHL-L97903	86.31
	L64818	4357-UP	I-U-10	1-3/4	4	GEHL-L99382	100.71
ROTATE CARRIAGE	L61317		I-U-10	1-3/8	3	GEHL-L97769	60.02
STEER	L97649-L97976		I-U-10	1-1/8	2-1/4	GEHL-L97978	47.94
MODEL 883							
ATTACHMENT TILT	L49988A	7001-7004	I-U-10	2-1/2	5	GEHL-L97716	129.27
	L64086	7005-7444	P-U-10	2-1/2	5	GEHL-L97922	104.42
BOOM EXTEND	L64385	7001-7004	I-U-10	3-1/2	4-1/2	GEHL-L97713	104.10
	L66770	7446-UP	I-U-10	3-1/2	4-1/2	GEHL-L99376	124.93
BOOM LIFT	L64083	7005-7445	I-U-10	3-1/2	4-1/2	GEHL-L97908	69.70
	L64401	7001-7004	I-U-10	3-1/2	4-1/2	GEHL-L97711	86.79
BOOM SLAVE	L64087	7001-7004	I-U-10	2-1/4	4-1/2	GEHL-L97917	72.62
	L64087	7005-7171	I-U-10	2-1/4	4-1/2	GEHL-L97715	81.16
	L66032	7172-7444	I-U-10	2-1/4	4-1/2	GEHL-L97917	72.62
	L66666	7445-UP	I-U-11	2-1/4	5	GEHL-L99330	120.23
FORK SHIFT	L66920		I-U-10	1-1/4	2	GEHL-L99958	103.42
FRAME LEVEL	L64085	7005-7445	P-U-5	1-3/4	4	GEHL-L97903	86.31
	L64818	7001-7004, 7446-UP	I-U-10	1-3/4	4	GEHL-L99382	100.71
MAST LIFT	L66537		I-U-10	2	3	GEHL-L98848	49.49
OUTRIGGER	L64968	Prior-7386	I-U-10	2-1/2	4	GEHL-L97938	57.07
	L66642	7387-UP	I-U-11	2-1/2	4	GEHL-L99059	77.05
ROTATE CARRIAGE	L61317		I-U-10	1-3/8	3	GEHL-L97769	60.02
STEER	L97649		I-U-10	1-1/8	2-1/4	GEHL-L97978	47.94
	L99428		I-U-10	1-1/8	3	GEHL-L99430	60.69
SWING CARRIAGE	L63970	2781-UP	I-U-10	1-1/4	2-1/2	GEHL-L99944	48.44
	L65659	Prior-2780	I-U-10	1-3/8	3	GEHL-L97955	76.77

REPLACEMENT KITS FOR GEHL

Kit Number	Code (Pg. xiv)	Rod X Bore Size	List Price
GEHL-131299	I-U-10	1-1/2 X 2-3/4	\$17.08
GEHL-134848	I-U-10	1-1/2 X 2-1/2	17.72
GEHL-134849	I-U-10	1-3/8 X 2-1/2	19.29
GEHL-190-32923	I-U-10,12	1-1/4 X 2-1/4	19.23
GEHL-L97617	I-U-10	2 X 4	58.68
GEHL-L97674	I-U-10	3 X 4	90.21

Kit Number	Code (Pg. xiv)	Rod X Bore Size	List Price
GEHL-L97711	I-U-10	3-1/2 X 4-1/2	\$86.79
GEHL-L97713	I-U-10	3-1/2 X 4-1/2	104.10
GEHL-L97715	I-U-10	2-1/4 X 4-1/2	81.16
GEHL-L97716	I-U-10	2-1/2 X 5	129.27
GEHL-L97769	I-U-10	1-3/8 X 3	60.02
GEHL-L97903	P-U-5	1-3/4 X 4	86.31

REPLACEMENT KITS FOR GEHL

Kit Number	Code (Pg. xiv)	Rod X Bore Size	List Price
GEHL-L97908	I-U-10	3-1/2 X 4-1/2	\$69.70
GEHL-L97917	I-U-10	2-1/4 X 4-1/2	72.62
GEHL-L97922	P-U-10	2-1/2 X 5	104.42
GEHL-L97938	I-U-10	2-1/2 X 4	57.07
GEHL-L97955	I-U-10	1-3/8 X 3	76.77
GEHL-L97978	I-U-10	1-1/8 X 2-1/4	47.94
GEHL-L98506	I-U-11	1-3/4 X 4	59.94
GEHL-L98521	I-U-11	2-1/2 X 4-1/2	90.38
GEHL-L98527	I-U-11	1-3/4 X 3-1/2	51.06
GEHL-L98548	I-U-11	2 X 4	79.96
GEHL-L98558	I-U-11	2-1/2 X 3-1/2	98.38
GEHL-L98565	I-U-10	45 X 90 mm	152.43
GEHL-L98848	I-U-10	2 X 3	49.49

Kit Number	Code (Pg. xiv)	Rod X Bore Size	List Price
GEHL-L99059	I-U-11	2-1/2 X 4	\$77.05
GEHL-L99170	I-U-10	1 X 2-1/2	49.34
GEHL-L99330	I-U-11	2-1/4 X 5	120.23
GEHL-L99331	I-U-10	3 X 4	154.06
GEHL-L99332	I-U-10	1-3/4 X 3-1/2	80.93
GEHL-L99376	I-U-10	3-1/2 X 4-1/2	124.93
GEHL-L99382	I-U-10	1-3/4 X 4	100.71
GEHL-L99385	I-U-10	2 X 4	119.72
GEHL-L99386	I-U-10	3 X 4	107.62
GEHL-L99430	I-U-10	1-1/8 X 3	60.69
GEHL-L99944	I-U-10	1-1/4 X 2-1/2	48.44
GEHL-L99958	I-U-10	1-1/4 X 2	103.42

GENIE

Kit Number	Code (Pg. xiv)	Rod X Bore Size	List Price
GENIE-101252	P-U-15	100 X 140	\$215.31
GENIE-101254	I,P-U-15	40 X 75	80.94
GENIE-102126	MISC		156.20
GENIE-106119	MISC		105.90
GENIE-106125	MISC		54.95
GENIE-106508	MISC		81.48
GENIE-107813	WASHER		7.87
GENIE-110202	34542 VALVE KIT		15.05
GENIE-139972	MISC		325.14
GENIE-18471	I-SP-10	1.5 X 2.5	52.82
GENIE-226542	MISC		224.89
GENIE-33487	I-U-10	1.5 X 3	71.85
GENIE-43018	O-rings + Back-ups		26.73
GENIE-44250	I-U-10	.750 X 20	48.01
GENIE-52620	I-U-10	1.500 X 30	35.40
GENIE-59050	I-U-14	1.5 X 2.5	81.16
GENIE-59169	I-U-10	10 X 20	44.51
GENIE-59444	I-U-10	1.750 X 2.5	74.78
GENIE-62417	N-TR-5,11	2.125 X 3.5	205.14

Kit Number	Code (Pg. xiv)	Rod X Bore Size	List Price
GENIE-63350	P-U-15	40 X 75	\$89.28
GENIE-63353	P-U-15	40 X 63	104.02
GENIE-63354	P-U-15	40 X 63	71.87
GENIE-640096	I-U-15	70 X 110	72.76
GENIE-65789	P-U-15	32 X 50	89.21
GENIE-72047	O-rings		19.65
GENIE-77189	P-U-15	45 X 90	79.01
GENIE-77364	P-U-15	40 X 75	58.86
GENIE-77521	P-U-15	45 X 63	46.42
GENIE-7-900-180	I-U-10	1.5 X 3.5	64.16
GENIE-88338	P-U-10	25 X 50	55.90
GENIE-88338	P-U-10	25 X 50	55.90
GENIE-89066	P-U-10	25 X 50	69.19
GENIE-89294	P-U-10	40 X 63	64.09
GENIE-89310	O-rings + Back-ups		19.53
GENIE-94620	MISC		63.31
GENIE-94625	O-Rings + Back-Ups		28.78
GENIE-94937	MISC		400.53

GLENCOE

Kit Number	Code (Pg. xiv)	Rod X Bore Size	List Price
GLC-TH200B-K	I-TR-1	2-1/2, 2-7/8, 3-3/8 Stages	\$72.49
GLC-TH80	I-TR-1	2-3/8, 2-7/8 Stages	43.56
GLC-UA80568	I-TR-1	2-7/8, 3-3/8 Stages	57.25

Kit Number	Code (Pg. xiv)	Rod X Bore Size	List Price
GLC-UA80569	I-TR-1	2-3/8, 2-7/8, 3-3/8 Stages	\$78.58
GLC-UA80570	I-TR-1	2-3/8, 2-7/8, 3-3/8, 3-7/8 Stgs	117.40
GLC-UA80589	I-TR-1	2-7/8, 3-3/8, 3-7/8 Stages	90.36

GRADALL

Forklifts - Rough Terrain							
APPLICATION	CYL #	SERIAL #	CODE	ROD	BORE	KIT #	List \$
MODEL 532C-6							
COMPENSATING	9112-3049	0188002-UP	I-U-10	3-1/8	6-1/4	GRD-91124049	82.29
CROWD	9112-3009	0188002-UP	P-U-10	2-1/2	3-1/2	GRD-91124044	52.41
	9112-5024	0188153-UP	P-U-14	2-1/2	3-1/2	GRD-91123080	184.69
LIFT(IOWA)	9112-3111	0288587, 0288692	P-UB-10	3	5-1/2	GRD-91124071	141.85
	9112-3111	0288695-0288715	P-UB-10	3	5-1/2	GRD-91124071	141.85
	9112-3111	0288940H-0388020H	P-UB-10	3	5-1/2	GRD-91124071	141.85
LIFT(SEITZ)	9112-3010	0188002-0288586	P-U-10	3	5-1/2	GRD-91124036	114.64
	9112-3010	0288588-0288691	P-U-10	3	5-1/2	GRD-91124036	114.64
	9112-3010	0288693, 0288694	P-U-10	3	5-1/2	GRD-91124036	114.64
	9112-3010	0288716-0288939	P-U-10	3	5-1/2	GRD-91124036	114.64
STEERING(IOWA)	9108-3467	0288587, 0288692	P-UB-10	1-1/4	2-1/2	GRD-91084305	78.76
	9108-3467	0288695-0288715	P-UB-10	1-1/4	2-1/2	GRD-91084305	78.76
	9108-3467	0288940H-0388020H	P-UB-10	1-1/4	2-1/2	GRD-91084305	78.76
STEERING(SEITZ)	9108-3281	0188002-0288586	P-U-10	1-1/4	2-1/2	GRD-91084183	37.32
	9108-3281	0288588-0288691	P-U-10	1-1/4	2-1/2	GRD-91084183	37.32
	9108-3281	0288693, 0288694	P-U-10	1-1/4	2-1/2	GRD-91084183	37.32
	9108-3281	0288716-0288939	P-U-10	1-1/4	2-1/2	GRD-91084183	37.32
SWAY(IOWA)	9108-3471	0288587, 0288692	P-UB-10	2	3-1/2	GRD-91084308	126.08
	9108-3471	0288695-0288715	P-UB-10	2	3-1/2	GRD-91084308	126.08
	9108-3471	0288940H-0388020H	P-UB-10	2	3-1/2	GRD-91084308	126.08
SWAY(SEITZ)	9108-3286	0188002-0288586	P-U-10	2	3-1/2	GRD-91084189	41.21
	9108-3286	0288588-0288691	P-U-10	2	3-1/2	GRD-91084189	41.21
	9108-3286	0288693, 0288694	P-U-10	2	3-1/2	GRD-91084189	41.21
	9108-3286	0288716-0288939	P-U-10	2	3-1/2	GRD-91084189	41.21
TILT	9112-3067	0188002-UP	P-U-10	2-1/2	5	GRD-91034278	60.00
MODEL 534B-6							
COMPENSATING	9103-3288	0144293H-UP	P-U-10	2-1/2	5	GRD-91034150	71.06
CROWD	9080-1293	8344001L-UP	I-U-10	2-1/2	4	GRD-90208023	72.22
CROWD(IOWA)	9103-3290	0144293H-UP	P-U-10	2-1/2	4	GRD-91034223	64.50
LIFT	9080-1333	8344001L-UP	I-U-10	2-1/2	5	GRD-90207953	56.88
LIFT(IOWA)	9103-3286	0144293H-UP	P-U-10	2-1/2	5	GRD-91034140	71.63
STEERING	9045-3034	For Service	P-UB-10	1-1/2	3	GRD-91144006	109.32
STEERING(IOWA)	9103-3291	0144293H-UP	P-U-10	1-1/2	3	GRD-91034145	49.86
STEERING(JARP)	9080-1313	8344001L-UP	I-U-10	1-1/2	3	GRD-90202551	27.81
SWAY	9080-1270	8344001L-8644030G	I-U-10	2	4	GRD-90201553	45.13
	9104-3139	8644031G-UP	I-U-10	2	4	GRD-91044205	36.40
SWAY(IOWA)	9104-3205	0144293H-UP	P-U-10	2	4	GRD-91044275	60.14
TILT	9080-1292	8344001L-8344011L	I-U-10	2	4	GRD-90201553	45.13
	9080-1357	8344012L-8744136G	I-U-10	2-1/2	4	GRD-91034049	48.50
TILT COMP	9080-1291	8344001L-8344011L	I-U-10	2	4	GRD-90201553	45.13
	9080-1356	8344012L-8744136G	I-U-10	2-1/2	4	GRD-91034049	48.50
TILT COMP(JARP)	9080-1328	8744142G-UP	I-U-10	2-1/2	5	GRD-90207954	51.49
TILT(IOWA)	9103-3287	0144293H-UP	P-U-10	2-1/2	5	GRD-91034150	71.06
TILT(JARP)	9080-1327	8744142G-UP	I-U-10	2-1/2	5	GRD-90207954	51.49
MODEL 534B-8							
COMPENSATING	9103-3288	0144293H-UP	P-U-10	2-1/2	5	GRD-91034150	71.06
CROWD	9080-1293	8344001L-UP	I-U-10	2-1/2	4	GRD-90208023	72.22
CROWD(IOWA)	9103-3290	0144293H-UP	P-U-10	2-1/2	4	GRD-91034223	64.50
LIFT	9080-1180	8344001L-UP	I-U-10	2-1/2	4-1/2	GRD-90207956	48.74
LIFT(IOWA)	9103-3286	0144293H-UP	P-U-10	2-1/2	5	GRD-91034140	71.63
STEERING	9045-3034	For Service	P-UB-10	1-1/2	3	GRD-91144006	109.32
STEERING(IOWA)	9103-3291	0144293H-UP	P-U-10	1-1/2	3	GRD-91034145	49.86
STEERING(JARP)	9080-1313	8344001L-UP	I-U-10	1-1/2	3	GRD-90202551	27.81
SWAY	9080-1270	8344001L-8644030G	I-U-10	2	4	GRD-90201553	45.13
	9104-3139	8644031G-UP	I-U-10	2	4	GRD-91044205	36.40

Replacement Kits For

GRADALL

Forklifts - Rough Terrain

APPLICATION	CYL #	SERIAL #	CODE	ROD	BORE	KIT #	List \$
MODEL 534B-8							
SWAY(IOWA)	9104-3205	0144293H-UP	P-U-10	2	4	GRD-91044275	60.14
TILT COMP(JARP)	9080-1328	8344001L-UP	I-U-10	2-1/2	5	GRD-90207954	51.49
TILT(IOWA)	9103-3287	0144293H-UP	P-U-10	2-1/2	5	GRD-91034150	71.06
TILT(JARP)	9080-1327	8344001L-UP	I-U-10	2-1/2	5	GRD-90207954	51.49
MODEL 534B-9							
COMPENSATING	9104-3304	0144860S-UP	P-U-10	2-1/2	5	GRD-91034278	60.00
CROWD	9103-3368	0144860S-UP	P-U-10	2-1/2	4	GRD-91034290	53.64
LIFT	9103-3371	0144860S-UP	P-U-10	2-1/2	5	GRD-91034278	60.00
STEERING	9103-3478	0244089S-UP	P-U-10	1-1/2	3	GRD-91034301	51.59
	9104-3316	0144860S-UP	P-U-10	1-1/2	3	GRD-91034301	51.59
SWAY	9103-3367	0144860S-UP	P-U-10	2	4	GRD-91034297	47.19
TILT	9103-3369	0144860S-UP	P-U-10	2-1/2	5	GRD-91034278	60.00
MODEL 534C-6							
COMPENSATING(IOWA)	9108-3470	0288587, 0288692	P-UB-10	2-1/2	5	GRD-91034339	116.08
	9108-3470	0288695-0288715	P-UB-10	2-1/2	5	GRD-91034339	116.08
	9108-3470	0288940H-0388020H	P-UB-10	2-1/2	5	GRD-91034339	116.08
COMPENSATING(SEITZ)	9108-3285	0188002-0288586	P-U-10	2-1/2	5	GRD-91084169	53.34
	9108-3285	0288588-0288691	P-U-10	2-1/2	5	GRD-91084169	53.34
	9108-3285	0288693, 0288694	P-U-10	2-1/2	5	GRD-91084169	53.34
	9108-3285	0288716-0288939	P-U-10	2-1/2	5	GRD-91084169	53.34
CROWD	9112-3009	0188002-UP	P-U-10	2-1/2	3-1/2	GRD-91124044	52.41
	9112-5024	0188153-UP	P-U-14	2-1/2	3-1/2	GRD-91123080	184.69
LIFT(IOWA)	9112-3111	0288587, 0288692	P-UB-10	3	5-1/2	GRD-91124071	141.85
	9112-3111	0288695-0288715	P-UB-10	3	5-1/2	GRD-91124071	141.85
	9112-3111	0288940H-0388020H	P-UB-10	3	5-1/2	GRD-91124071	141.85
LIFT(SEITZ)	9112-3010	0188002-0288586	P-U-10	3	5-1/2	GRD-91124036	114.64
	9112-3010	0288588-0288691	P-U-10	3	5-1/2	GRD-91124036	114.64
	9112-3010	0288693, 0288694	P-U-10	3	5-1/2	GRD-91124036	114.64
	9112-3010	0288716-0288939	P-U-10	3	5-1/2	GRD-91124036	114.64
STEERING(IOWA)	9108-3467	0288587, 0288692	P-UB-10	1-1/4	2-1/2	GRD-91084305	78.76
	9108-3467	0288695-0288715	P-UB-10	1-1/4	2-1/2	GRD-91084305	78.76
	9108-3467	0288940H-0388020H	P-UB-10	1-1/4	2-1/2	GRD-91084305	78.76
STEERING(SEITZ)	9108-3281	0188002-0288586	P-U-10	1-1/4	2-1/2	GRD-91084183	37.32
	9108-3281	0288588-0288691	P-U-10	1-1/4	2-1/2	GRD-91084183	37.32
	9108-3281	0288693, 0288694	P-U-10	1-1/4	2-1/2	GRD-91084183	37.32
	9108-3281	0288716-0288939	P-U-10	1-1/4	2-1/2	GRD-91084183	37.32
SWAY(IOWA)	9108-3471	0288587, 0288692	P-UB-10	2	3-1/2	GRD-91084308	126.08
	9108-3471	0288695-0288715	P-UB-10	2	3-1/2	GRD-91084308	126.08
	9108-3471	0288940H-0388020H	P-UB-10	2	3-1/2	GRD-91084308	126.08
SWAY(SEITZ)	9108-3286	0188002-0288586	P-U-10	2	3-1/2	GRD-91084189	41.21
	9108-3286	0288588-0288691	P-U-10	2	3-1/2	GRD-91084189	41.21
	9108-3286	0288693, 0288694	P-U-10	2	3-1/2	GRD-91084189	41.21
	9108-3286	0288716-0288939	P-U-10	2	3-1/2	GRD-91084189	41.21
TILT(IOWA)	9108-3472	0288587, 0288692	P-UB-10	2	4	GRD-91034337	83.74
	9108-3472	0288695-0288715	P-UB-10	2	4	GRD-91034337	83.74
	9108-3472	0288940H-0388020H	P-UB-10	2	4	GRD-91034337	83.74
TILT(SEITZ)	9108-3379	0188002-0288586	P-U-10	2	4	GRD-91034297	47.19
	9108-3379	0288588-0288691	P-U-10	2	4	GRD-91034297	47.19
	9108-3379	0288693, 0288694	P-U-10	2	4	GRD-91034297	47.19
	9108-3379	0288716-0288939	P-U-10	2	4	GRD-91034297	47.19

GRADALL

GRADALL

Kit Number	Code (Pg. xiv)	Rod X Bore Size	List Price
GRD-8692-5036	P-U-10	3-1/4 X 5	\$371.86
GRD-90201553	I-U-10	2X4	45.13
GRD-90202551	I-U-10	1-1/2X3	27.81
GRD-90207953	I-U-10	2-1/2X5	56.88
GRD-90207954	I-U-10	2-1/2X5	51.49
GRD-90207956	I-U-10	2-1/2X4-1/2	48.74
GRD-90208023	I-U-10	2-1/2X4	72.22
GRD-91034049	I-U-10	2-1/2X4	48.50
GRD-91034140	P-U-10	2-1/2X5	71.63
GRD-91034145	P-U-10	1-1/2X3	49.86
GRD-91034150	P-U-10	2-1/2X5	71.06
GRD-91034223	P-U-10	2-1/2X4	64.50
GRD-91034278	P-U-10	2-1/2X5	60.00
GRD-91034290	P-U-10	2-1/2X4	53.64
GRD-91034297	P-U-10	2X4	47.19
GRD-91034301	P-U-10	1-1/2X3	51.59
GRD-91034337	P-UB-10	2X4	83.74
GRD-91034339	P-UB-10	2-1/2X5	116.08
GRD-91044205	I-U-10	2X4	36.40
GRD-91044275	P-U-10	2X4	60.14
GRD-91044335	I-U-11, 12	2-1/2 X 5	139.77
GRD-91084169	P-U-10	2-1/2X5	53.34

Kit Number	Code (Pg. xiv)	Rod X Bore Size	List Price
GRD-91084183	P-U-10	1-1/4X2-1/2	\$37.32
GRD-91084189	P-U-10	2X3-1/2	41.21
GRD-91084305	P-UB-10	1-1/4X2-1/2	78.76
GRD-91084308	P-UB-10	2X3-1/2	126.08
GRD-91123080	P-U-14	2-1/2X3-1/2	184.69
GRD-91124036	P-U-10	3X5-1/2	114.64
GRD-91124044	P-U-10	2-1/2X3-1/2	52.41
GRD-91124049	I-U-10	3-1/8X6-1/4	82.29
GRD-91124071	P-UB-10	3X5-1/2	141.85
GRD-91144006	P-UB-10	1-1/2X3	109.32

Replacement Kits For

GROVE CRANE

Cranes - Rough Terrain						
APPLICATION	CODE	ROD	BORE	MISC	KIT #	List \$
MODEL RT58B, RT58C, RT58D						
BOOM LIFT	I-U-11	3-5/8	8-1/4		GC9752100164	370.37
BOOM TELE	I-U-11	4-1/2	6-1/2		GC9752100232	219.52
EXTENSION	I-U-11	3-5/8	7		GC9752100329	310.86
STABILIZER	I-U-11	3-5/8	7		GC9752100329	310.86
SWIVEL	SWIVEL		7-1/2		GC9752100358	127.62
MODEL RT60S						
BOOM LIFT	I-U-10	3-1/2	8-1/4		GC9752100027	75.90
BOOM TELE	I-U-11	3-5/8	5		GC9752100076	171.61
	I-U-11	3	4		GC9752100114	76.46
EXTENSION	I-U-11	1-3/4	3		GC9752100072	52.42
STABILIZER	I-U-11	3-5/8	5		GC9752100076	171.61
SWIVEL	SWIVEL		3-3/4		GC9752100303	59.24
	SWIVEL		8-1/4		GC9752100302	391.72
MODEL RT515, RT518, RT525, RT527						
BOOM LIFT	I-U-11	3-5/8	9		GC9752100199	392.59
BOOM TELE	I-U-11	5	6-1/2		GC9752100238	252.74
EXTENSION	I-U-11	1-3/4	3		GC9752100072	52.42
STABILIZER	I-U-11	4	5-1/2		GC9752100240	289.25
SWIVEL	SWIVEL		8-1/2		GC9752100311	253.43
	SWIVEL		5-1/2		GC9752100312	112.67
Cranes - Truck Mounted						
APPLICATION	CODE	ROD	BORE	MISC	KIT #	List \$
MODEL TM150, TM155						
BOOM LIFT	I-U-10	3-1/2	8-1/4		GC9752100027	75.90
	I-U-10	3-5/8	8-1/4		GC9752100074	193.64
BOOM TELE	I-U-11	3-5/8	5		GC9752100034	92.93
	I-U-11	2-5/8	4		GC9752100035	70.10
EXTENSION	I-U-11	1-3/4	3		GC9752100072	52.42
	I-U-10	1-3/4	3		GC9752100019	42.89
STABILIZER	I-U-10	3-5/8	5		GC9752100008	79.46
MODEL TM180						
BOOM LIFT	I-U-10	3-1/2	8-1/4		GC9752100027	75.90
BOOM TELE	I-U-11	3-5/8	5		GC9752100076	171.61
	I-U-11	2-5/8	4		GC9752100075	114.19
	I-U-11	3	4		GC9752100114	76.46
EXTENSION	I-U-11	1-3/4	3		GC9752100072	52.42
STABILIZER	I-U-11	3-5/8	5		GC9752100076	171.61
MODEL TM250						
BOOM LIFT	I-U-10	6	11		GC9752100029	297.95
BOOM TELE	I-U-11	5-1/2	7		GC9752100193	239.37
EXTENSION	I-U-11	1-3/4	3		GC9752100072	52.42
JACK	I-U-11	3-5/8	5		GC9752100229	250.95
STABILIZER	I-U-11	3-5/8	5		GC9752100229	250.95
SWIVEL	SWIVEL		8-1/2		GC9752100306	174.16
	SWIVEL		8-1/2		GC9752100314	417.10
MODEL TM300						
BOOM LIFT	I-U-10	6-1/2	8-1/4		GC9752100146	357.28
BOOM TELE	I-U-11	4-1/2	5-1/2		GC9752100157	195.35
EXTENSION	I-U-11	1-3/4	3		GC9752100072	52.42
JACK	I-U-11	3-5/8	5		GC9752100229	250.95
STABILIZER	I-U-11	4-3/4	6		GC9752100162	198.27
SWIVEL	SWIVEL		8-1/2		GC9752100314	417.10
MODEL TM400						
BOOM LIFT	I-U-10	6-1/2	12-1/2		GC9752100039	303.79
BOOM TELE	I-U-11	4-1/2	6		GC9752100077	139.97
	I-U-11	3-5/8	5		GC9752100076	171.61
EXTENSION	I-U-11	1-3/4	3		GC9752100072	52.42

GROVE CRANE

Replacement Kits For

GROVE CRANE

Cranes - Truck Mounted						
APPLICATION	CODE	ROD	BORE	MISC	KIT #	List \$
MODEL TM400						
STABILIZER	I-U-10	4-1/2	7-1/2		GC9576100048	72.54
MODEL TM475						
BOOM TELE	I-U-11	4-1/2	5-1/2		GC9752100202	288.11
EXTENSION	I-U-11	1-3/4	3		GC9752100072	52.42
JACK	I-U-11	3-5/8	5		GC9752100229	250.95
STABILIZER	I-U-11	4-3/4	6		GC9752100162	198.27
SWIVEL	SWIVEL		8-1/2		GC9752100314	417.10
MODEL TM750E						
BOOM TELE	I-U-11	5	6		GC9752100293	339.17
EXTENSION	I-U-11	1-3/4	3		GC9752100369	88.17
JACK	I-U-11	3-5/8	5		GC9752100364	212.40
STABILIZER	I-U-11	4-3/4	6		GC9752100163	187.18
SWIVEL	SWIVEL		5-1/2		GC9752100300	45.69
MODEL TM800						
EXTENSION	I-U-11	5-1/2	6-1/2		GC9752100090	220.74
MODEL TM870E						
BOOM LIFT	I-U-11	7	10		GC9752100286	578.00
EXTENSION	I-U-11	1-3/4	3		GC9752100072	52.42
JACK	I-U-11	4-3/4	6		GC9752100163	187.18
STABILIZER	I-U-11	4-3/4	6		GC9752100163	187.18
SWIVEL	SWIVEL		5-1/2		GC9752100300	45.69
MODEL TMS250EB						
BOOM LIFT	I-U-10	6	11		GC9752100029	297.95
BOOM TELE	I-U-11	5-1/2	7		GC9752100193	239.37
EXTENSION	I-U-10	1-1/2	2-1/2		GC9752100363	64.01
JACK	I-U-11	3-5/8	5		GC9752100364	212.40
STABILIZER	I-U-11	4	5-1/2		GC9752100387	267.15
SWIVEL	SWIVEL		8-1/2		GC9752100306	174.16
	SWIVEL		8-1/2		GC9752100538	494.14
MODEL TMS275						
BOOM LIFT	I-U-10	6	11		GC9752100029	297.95
BOOM TELE	I-U-11	3-5/8	5		GC9752100076	171.61
EXTENSION	I-U-10	1-3/4	3		GC9752100009	42.63
STABILIZER	I-U-10	3-1/2	5-7/8		GC9372100153	100.69

REPLACEMENT KITS FOR GROVE CRANE

Kit Number	Code (Pg. xiv)	Rod X Bore Size	List Price
GC360006321	I-OB-4	2-1/2 X 4-1/2	\$51.62
GC6576000014	I-U-10	2-5/8 X 4	55.67
GC7373000072	Swivel Kit	5-1/2	239.05
GC9372100153	I-U-10	3-1/2 X 5-7/8	100.69
GC9372100165	I-U-10	6 X 11	203.20
GC9372101365	I-U-4	2-1/2 X 4-1/2	54.06
GC9576000014	I-U-10	2-5/8 X 4	50.55
GC9576100048	I-U-10	4-1/2 X 7-1/2	72.54
GC9752100002	I-U-10	2-5/8 X 5	66.86
GC9752100003	I-U-10	1-1/4 X 3	26.46
GC9752100004	I-U-10	2-5/8 X 7	94.91
GC9752100008	I-U-10	3-5/8 X 5	79.46
GC9752100009	I-U-10	1-3/4 X 3	42.63
GC9752100019	I-U-10	1-3/4 X 3	42.89
GC9752100027	I-U-10	3-1/2 X 8-1/4	75.90
GC9752100029	I-U-10	6 X 11	297.95
GC9752100032	I-U-10	2-5/8 X 4	58.91
GC9752100034	I-U-11	3-5/8 X 5	92.93
GC9752100035	I-U-11	2-5/8 X 4	70.10
GC9752100039	I-U-10	6-1/2 X 12-1/2	303.79
GC9752100072	I-U-11	1-3/4 X 3	52.42
GC9752100074	I-U-10	3-5/8 X 8-1/4	193.64
GC9752100075	I-U-11	2-5/8 X 4	114.19
GC9752100076	I-U-11	3-5/8 X 5	171.61
GC9752100077	I-U-11	4-1/2 X 6	139.97
GC9752100079	I-U-11	2-5/8 X 5	146.51
GC9752100081	I-U-11	3-5/8 X 7	184.73
GC9752100082	I-U-11	2-5/8 X 7	176.30
GC9752100083	I-U-11	3-5/8 X 6	181.70
GC9752100085	I-U-11	2 X 4	65.40
GC9752100090	I-U-11	5-1/2 X 6-1/2	220.74
GC9752100111	I-U-11	4-3/4 X 6	205.68
GC9752100112	I-U-11	5-1/2 X 7	244.56
GC9752100114	I-U-11	3 X 4	76.46
GC9752100115		EXTENSION LINE KIT	71.60
GC9752100116		O-RING KIT	9.15
GC9752100117		O-RING KIT	54.92
GC9752100119		TUBE EXTENSION KIT	72.13
GC9752100121		O-RING KIT	11.40
GC9752100123	N-U-4	5/8 X 1-7/8	22.83
GC9752100127	I-U-11	6 X 10	425.83
GC9752100137	I-U-10	6 X 10	442.35
GC9752100138	I-U-13	7 X 11	703.10

Kit Number	Code (Pg. xiv)	Rod X Bore Size	List Price
GC9752100146	I-U-10	6-1/2 X 8-1/4	\$357.28
GC9752100150	I-U-11	6 X 7	297.28
GC9752100152	I-U-10	7 X 11	444.18
GC9752100157	I-U-11	4-1/2 X 5-1/2	195.35
GC9752100160		O-RING KIT	9.44
GC9752100161		O-RING KIT	8.72
GC9752100162	I-U-11	4-3/4 X 6	198.27
GC9752100163	I-U-11	4-3/4 X 6	187.18
GC9752100164	I-U-11	3-5/8 X 8-1/4	370.37
GC9752100167	I-U-11	6 X 7	255.76
GC9752100168	I-U-11	5-1/2 X 7	316.59
GC9752100173	I-U-11	5-1/2 X 6-1/2	362.33
GC9752100180	I-U-11	6 X 8-1/4	338.12
GC9752100181	I-U-11	7 X 8-1/4	567.87
GC9752100182		VALVE KIT	13.53
GC9752100184	I-U-13	7 X 11	557.19
GC9752100184U	I-U-10	7 X 11 UNIV. KIT	775.16
GC9752100186	I-U-11	6 X 10	541.23
GC9752100187	I-U-11	3-5/8 X 6	211.49
GC9752100189	I-U-11	4-1/2 X 6	194.72
GC9752100192	I-U-11	6 X 10	703.42
GC9752100193	I-U-11	5-1/2 X 7	239.37
GC9752100198	I-U-11	7 X 11	735.42
GC9752100199	I-U-11	3-5/8 X 9	392.59
GC9752100202	I-U-11	4-1/2 X 5-1/2	288.11
GC9752100229	I-U-11	3-5/8 X 5	250.95
GC9752100232	I-U-11	4-1/2 X 6-1/2	219.52
GC9752100234	I-U-11	4-1/2 X 6	233.59
GC9752100235	I-U-11	2-5/8 X 5	144.89
GC9752100236	I-U-11	3-5/8 X 8-1/4	329.80
GC9752100238	I-U-11	5 X 6-1/2	252.74
GC9752100239	I-U-11	4 X 5-1/2	254.52
GC9752100240	I-U-11	4 X 5-1/2	289.25
GC9752100241	I-U-11	3-5/8 X 5	209.93
GC9752100242	I-U-11	2-5/8 X 5	212.93
GC9752100243	I-U-11	5-1/2 X 7	416.57
GC9752100267		O-RING KIT	6.37
GC9752100286	I-U-11	7 X 10	578.00
GC9752100290	I-U-11	6 X 9	525.11
GC9752100293	I-U-11	5 X 6	339.17
GC9752100298		7-1/2" SWIVEL KIT	209.97
GC9752100299		6" SWIVEL KIT	111.78
GC9752100300		5-1/2" SWIVEL KIT	45.69

REPLACEMENT KITS FOR GROVE CRANE

Kit Number	Code (Pg. xiv)	Rod X Bore Size	List Price
GC9752100301		8-1/2" SWIVEL KIT	\$360.92
GC9752100302		8-1/4" SWIVEL KIT	391.72
GC9752100303		3-3/4" SWIVEL KIT	59.24
GC9752100306		8-1/2" SWIVEL KIT	174.16
GC9752100307		8-1/2" SWIVEL KIT	301.27
GC9752100311		8-1/2" SWIVEL KIT	253.43
GC9752100312		5-1/2" SWIVEL KIT	112.67
GC9752100314		8-1/2" SWIVEL KIT	417.10
GC9752100324	I-U-10	1-3/4 X 3	103.81
GC9752100328		VALVE KIT	14.36
GC9752100329	I-U-11	3-5/8 X 7	310.86
GC9752100345	I-U-11	4-1/2 X 5-1/2	224.78
GC9752100358		7-1/2" SWIVEL KIT	127.62
GC9752100361		7" SWIVEL KIT	176.50
GC9752100363	I-U-10	1-1/2 X 2-1/2	64.01
GC9752100364	I-U-11	3-5/8 X 5	212.40
GC9752100369	I-U-11	1-3/4 X 3	88.17
GC9752100377	I-U-11	3 X 4-1/2	143.06
GC9752100385		5-1/2" SWIVEL KIT	113.96

Kit Number	Code (Pg. xiv)	Rod X Bore Size	List Price
GC9752100387	I-U-11	4 X 5-1/2	\$267.15
GC9752100391		Valve Kit	9.57
GC9752100445	I-U-11	6 X 9	534.12
GC9752100461	I-U-11	3-5/8 X 5	271.83
GC9752100463	I-UB-11	7 X 9	664.96
GC9752100466		EXTENSION LINE KIT	74.60
GC9752100467	I-U-11	3-5/8 X 7	338.43
GC9752100468	I-U-11	3-5/8 X 5	265.10
GC9752100470	I-UB-11	5 X 8-1/4	432.75
GC9752100475	I-U-11	7 X 9	575.10
GC9752100477	I-U-11	3 X 5-1/2	190.14
GC9752100491	I-U-11	3-5/8 X 8-1/4	326.13
GC9752100498		EXTENSION LINE KIT	55.93
GC9752100532	I-UB-9	5 X 6	787.81
GC9752100538		8-1/2" SWIVEL KIT	494.14
GC9752100563		5-1/2" SWIVEL KIT	113.96
GC9752101126		8-1/2" SWIVEL KIT	682.41

REPLACEMENT PARTS FOR GROVE CRANE

NOTE: Grove Crane part numbers are used as a reference only. We do not imply that these kits are original REPLACEMENT PARTS.

FACE SEALS

Part Number	List Price
GC-9372100033	\$15.19

WEAR RINGS

Part Number	OD X W	List Price
GC-7753000190	6-1/2 X 1/2	\$7.39
GC-9372100733	11 X 1/2	71.09

MODULAR BEARINGS

Part Number	ID	List Price
GC-9372100572	7	\$72.05

HARSH MFG.

Kit Number	Code (Pg. xiv)	Rod X Bore Size	List Price
HM-A9113	I-OB-1	1-3/4 X 2-3/4	\$11.21
HM-A9112	I-OB-1	1-7/8 X 2-1/4	4.36
HM-A9114	I-OB-1	2-7/8" ROD	13.95
HM-A9115	I-OB-1	3-3/8" ROD	13.55
HM-A9116	I-OB-1	3-7/8" ROD	16.76

Replacement Kits For

HEIL

Refuse - Front Loaders

APPLICATION	CYL #	SERIAL #	CODE	ROD	BORE	Miscellaneous	KIT #	List \$
MODEL Half Pak III Full Eject								
ARM	1-6813		N-N-14		115 mm		HL-1-6370-002	105.07
	1-6813		P-UB-1	63 mm			HL-1-6370-001	124.65
EJECTOR	1-6076		I,P-UB-12	3,4,5	STAGES		HL-K272-4872	876.38
EJECTOR CYL	1-4911		I-V-12	3,4,5	STAGES		HL-K272-3588	678.35
FORK	1-4868		I-V-10	2	4		HL-K272-3582	70.51
	1-6671		N-N-10		100 mm		HL-1-6669-002	66.68
	1-6671		P-UB-1	50 mm			HL-1-6369-001	196.79
	1-6777		N-N-10		100 mm		HL-1-6669-002	66.68
	1-6777		P-UB-1	50 mm			HL-1-6777-001	169.72
	1-6778		N-N-10		100 mm		HL-1-6669-002	66.68
	1-6778		P-UB-1	50 mm			HL-1-6777-001	169.72
LIFT ARM	1-5150	3105106-	P-UB-14	2-1/2	4-1/2		HL-K272-3605	189.05
PACKER/EJECT OR	1-4911	SEPT 1998 - 3105162	I-V-12	3,4,5	STAGES		HL-K272-3588	678.35
	1-6076	3105300-	I,P-UB-12	3,4,5	STAGES		HL-K272-4872	876.38
	1-6525		P-UB-1	100 mm			HL-1-6525-010	284.35
	1-6525		N-N-14		140 mm		HL-1-6525-011	185.63
	1-6597		I,P-UB-12	3,4,5	STAGES		HL-K272-4872	876.38
	1-6598		I,P-UB-12	3,4,5	STAGES		HL-K272-4872	876.38
	1-6627		I,P-UB-12	3,4,5	STAGES		HL-K272-4872	876.38
SERVICE HOIST	1-6414		P-U-10	1-3/4	4		HL-1-3735-021	109.49
TAILGATE RAISE	1-6833		I,P-UB-1	45 mm			HL-1-6521-001	114.26

Refuse - Rear Loaders

APPLICATION	CYL #	SERIAL #	CODE	ROD	BORE	Miscellaneous	KIT #	List \$
MODEL Formula 4000 & 4000 MK IV								
BLADE	1-4108	4F-1014878 -	I-V-10, 12	2-1/2	4		HL-K272-0956	98.38
CONTAINER ARM	1-4283	4F-1014878 -	I-V-10	1-1/2	3		HL-K272-0966	48.15
EJECTOR	1-4050		I-V-12	2,3,4,5	STAGES	18, 20 yds, Narrow Units	HL-K272-0933	209.44
	1-4053		I-V-12	2,3,4,5	STAGES	16, 18 yds, Narrow Units	HL-K272-0933	209.44
	1-4054		I-V-12	2,3,4,5	STAGES	25 yd, Narrow Units	HL-K272-0933	209.44
	1-6222		I-U-12	3,4,5	STAGES	11, 13 yds	HL-K272-4885	558.84
	1-6223		I-U-12	3,4,5	STAGES	11, 13 yds, Narrow Units	HL-K272-4885	558.84
	1-6224, 1-6225, 1-6226	4F-1014878 -	I-U-12	3,4,5,6	STAGES		HL-K272-4884	850.18
GRAB-BAR	1-5069	4F-1014878 -	I-U-10	1-1/2	2-1/2		HL-K272-0958	48.52
GRAB-BAR MECHANISM	1-4105	4F-1014878 -	I-U-10	1-1/2	2-1/2		HL-K272-0958	48.52
REEVING	1-6061		I-UB-10	4	5-1/2		HL-K272-0989	101.98
	1-6189	4F-1014878 -	I-UB-10	4	5-1/2		HL-K272-0989	101.98
SLIDE	1-4110	4F-1014878 -	I-V-10, 12	2	4-1/2		HL-K272-0957	141.88
TAILGATE RAISE	1-4070	4F-1014878 -	I-V-1	2-1/2	3		HL-K272-0937	37.70

MODEL Formula 5000 - January 2006 and AFTER

CONTAINER ARM MECHANISM	1-4283		I-V-10	1-1/2	3		HL-K272-0966	48.15
EJECTOR	1-6421		I-V-12	3,4,5,6,7	STAGES		HL-K272-8484	1050.83
	1-6426		I-V-12	3,4,5,6	STAGES		HL-K272-4880	493.98
	1-6427		I-V-12	3,4,5,6	STAGES		HL-K272-4880	493.98
INSIDE LOWER PANEL	1-6611		I,P-UB-14	3-1/2	5-1/2		HL-1-6611-004	253.39
OUTSIDE UPPER PANEL	1-6610		I-UB-14	2-1/2	5-1/2		HL-1-6610-007	166.31
REEVING	1-6061		I-UB-10	4	5-1/2		HL-K272-0989	101.98
ROLL BAR MECHANISM	1-4105		I-U-10	1-1/2	2-1/2		HL-K272-0958	48.52

HEIL

Refuse - Rear Loaders								
APPLICATION	CYL #	SERIAL #	CODE	ROD	BORE	Miscellaneous	KIT #	List \$
MODEL Formula 5000 - January 2006 and AFTER								
ROLL-BAR FLIPPER	1-5069		I-U-10	1-1/2	2-1/2		HL-K272-0958	48.52
TAILGATE RAISE	1-4880		I-V-1	3-1/2	4		HL-K272-0938	47.29
MODEL Formula 5000 & 5000 MK V								
CONTAINER ARM MECHANISM	1-4105, 1-4264		I-U-10	1-1/2	2-1/2		HL-K272-0958	48.52
CONTAINER DUMP	1-4283		I-V-10	1-1/2	3		HL-K272-0966	48.15
EJECTOR	1-4261, 1-4266, 1-4267		I-V-12	4,5,6	STAGES		HL-K272-0976	407.09
	1-4261, 63132-DA		I-V-12	4,5,6	STAGES	25 yd	HL-K272-0976	407.09
	1-4266, 63108-DA		I-V-12	4,5,6	STAGES	20 yd	HL-K272-0976	407.09
	1-4343	3722-	I-U-1	4,5,6,7	STAGES	32 yd	HL-K272-2774	573.72
	1-4821	2740 - 3721	I-V-12	4,5,6,7	STAGES	32 yd	HL-K272-3991	589.55
INSIDE LOWER PANEL	1-4347, 1-4887	2740 - 6845	I-V-10, 12	3-1/2	5-1/2		HL-K272-2776	101.52
	1-4887	2740 - 6845	I-V-10, 12	3-1/2	5-1/2		HL-K272-2776	101.52
	1-5111	6846-	P-UB-14	3-1/2	5-1/2		HL-K272-3609	290.13
OUTSIDE UPPER PANEL	1-4824, 1-4884	2740 - 6845	I-V-10	2-1/2	5		HL-K272-2778	93.31
	1-5110	6846-	P-UB-14	2-1/2	5		HL-K272-3608	192.21
PACKER BLADE	1-4884		I-V-10	2-1/2	5	Outside Cylinder	HL-K272-2778	93.31
	1-4887		I-V-10, 12	3-1/2	5-1/2	Inside Cylinder	HL-K272-2776	101.52
REEVING	1-4309	5002740 - 5008724	I-UB-10	4	5-1/2		HL-K272-0989	101.98
	1-6160	5008725-	I-UB-10	4	5-1/2		HL-K272-0989	101.98
	1-6160	5008725-	I-UB-4	1-1/8	3		HL-1-6160-100	91.88
TAILGATE RAISE	1-4348	2740 - 4236	I-V-1	3-1/2	4		HL-K272-0938	47.29
	1-4880	4237-	I-V-1	3-1/2	4		HL-K272-0938	47.29
Refuse - Side Loaders								
APPLICATION	CYL #	SERIAL #	CODE	ROD	BORE	Miscellaneous	KIT #	List \$
MODEL CP Python - Rapid Rail								
BODY RAISE	1-6445		I-U-4	3-1/4	4		HL-K272-8491	251.88
GRAB	1-6667		N-N-14		80 mm		HL-1-6767-003	112.58
LIFT/REACH	1-6666		N-N-14		80 mm		HL-1-6767-003	112.58
PACKER	1-6406		P-UB-14	1-1/2	5		HL-1-6406-100	220.25
TAILGATE RAISE	1-6754		I-U-10	1-1/2	3		HL-1-6754-001	89.03
MODEL Formula 7000								
BODY HOIST	1-4807	405 & up	I-V-5,12	1-1/2	3-1/2		HL-K272-3084	167.45
	1-4807	405-	I-V-1	3-1/4, 4	STAGES		HL-K272-3083	54.37
	1-6191	405-	I-U-4	3-1/4, 4	STAGES		HL-K272-4893	244.59
GRABBER	1-4297	405-	I-V-5,12	1-1/2	3-1/2		HL-272-2767	121.61
	1-4327	405-	I-V-12	1-1/2	3		HL-K272-0981	97.71
	1-4843	405-	I-V-12	1-1/2	3		HL-K272-0981	97.71
LIFT	1-4338	405-	I-V-12	1-1/2	3		HL-K272-0981	97.71
PACKER	1-4298	1 - 447	I-UB-10	4	5-1/2		HL-K272-0989	101.98
	1-4878	448-	I-UB-10	4	5-1/2		HL-K272-0989	101.98
REACH	1-4276	405-	I-V-12	1-1/2	3		HL-K272-0981	97.71
SIDE			I-V-10	3-1/2	5		HL-K272-0969	89.83
TAILGATE	1-4305	405-	I-V-10	1-1/2	3		HL-K272-0966	48.15
MODEL Rapid Rail Auto-Side Loader 01/2000 -								
ARM	1-6407		P-UB-14	2	3		HL-1-6404-100	156.97
BODY RAISE	1-6445		I-U-4	3-1/4	4		HL-K272-8491	251.88
DUMP	1-6407		P-UB-14	1-1/8	3		HL-1-6402-100	161.07
GRABBER CYL	1-6416		P-UB-14	1-1/8	3		HL-1-6402-100	161.07
IN-OUT	1-6403		I-UB-14	1-1/8	1-3/4		HL-1-6403-100	165.29

Replacement Kits For

HEIL

Refuse - Side Loaders

APPLICATION	CYL #	SERIAL #	CODE	ROD	BORE	Miscellaneous	KIT #	List \$
MODEL Rapid Rail Auto-Side Loader 01/2000 -								
PACKER	1-6406		P-UB-14	1-1/2	5		HL-1-6406-100	220.25
TAILGATE RAISE	1-6405		P-UB-10	1-1/8	3	Units built Jan/2000 and after	HL-1-6405-100	86.49
	1-6754		I-U-10	1-1/2	3	Units built July/2003 and after	HL-1-6754-001	89.03
MODEL Rapid Rail Auto-Side Loader 10/94 - 6/98								
ARM	1-6404		P-UB-14	2	3		HL-1-6404-100	156.97
BODY RAISE	1-4807	-1837	I-V-1	3-1/4, 4	STAGES		HL-K272-3083	54.37
	1-6191	1838-	I-U-4	3-1/4, 4	STAGES	2 Stage	HL-K272-4893	244.59
DUMP	1-6160		I-UB-4	1-1/8	3		HL-1-6160-100	91.88
DUMP & GRAB	1-6407		P-UB-14	1-1/8	3		HL-1-6402-100	161.07
GRIP	1-6330	-0329	I-UB-4	1-1/8	2-1/2		HL-K272-6627	89.92
	1-6331	0330-	I-UB-4	1-1/8	3		HL-1-6160-100	91.88
IN-OUT	1-6162		I-UB-14	1-1/8	1-3/4		HL-1-6194-100	126.24
	1-6403		I-UB-14	1-1/8	1-3/4		HL-1-6403-100	165.29
LIFT	1-6161		I-UB-4	2	3		HL-1-6161-100	115.23
PACKER	1-6164		I-UB-4	1-1/2	5		HL-1-6164-100	91.46
	1-6406		P-UB-14	1-1/2	5		HL-1-6406-100	220.25
TAILGATE	1-6405		P-UB-10	1-1/8	3		HL-1-6405-100	86.49
TAILGATE RAISE	1-6163		I-UB-4	1-1/8	3		HL-1-6160-100	91.88

HEIL

HEIL® REPAIR KIT

Kit Number	Cylinder Number	Description	Code	Rod	Bore	List \$
HL-001-6554-025			P-UB-10	1-1/2	3	84.04
HL-1-3690-09	1-3690, 1-3691		I-V-10	4	6	75.98
HL-1-3692-07	1-3692, 1-3695, 1-3717, 1-3719		I-U-10	1-1/2	2-1/2	17.58
HL-1-3693-09	1-3693		I-V-10	2-1/2	5	49.97
HL-1-3706-05	1-3705, 1-3706		I-V-10	4	6	102.95
HL-1-4098K	1-4098		I-V-10	2-1/2	7-1/2	95.59
HL-1-4181-16	1-4181		I-U-5	4	4-1/2	83.26
HL-1-5098K	1-5098		P-UB-14	2-1/2	4-1/2	181.47
HL-1-5110-10	1-5110		P-UB-14	2-1/2	5	192.21
HL-1-6070K	1-6070		P-UB-12,14	1-1/2	3	160.36
HL-1-6085-1K	1-6085		P-UB-12,14	1-1/2	3	221.65
HL-1-6160-100	1-6160, 1-6163, 1-6331		I-UB-4	1-1/8	3	91.88
HL-1-6161-100	1-6161		I-UB-4	2	3	115.23
HL-1-6164-100	1-6164		I-UB-4	1-1/2	5	91.46
HL-1-6194-100	1-6162		I-UB-14	1-1/8	1-3/4	126.24
HL-1-6402-100	1-6407		P-UB-14	1-1/8	3	161.07
HL-1-6403-100	1-6403		I-UB-14	1-1/8	1-3/4	165.29
HL-1-6404-100	1-6404		P-UB-14	2	3	156.97
HL-1-6405-100	1-6405		P-UB-10	1-1/8	3	86.49
HL-1-6406-100	1-6406		P-UB-14	1-1/2	5	220.25
HL-1-6754-001			I-U-10	1-1/2	3	89.03
HL-272-2767	001-4297		I-V-5,12	1-1/2	3-1/2	121.61
HL-6403-34	A1D3705,A1D3706		I-V-10	4	6	105.10
HL-A1C2819K	A1D2819		P-V-12	4-1/2	6-1/2	329.39
HL-A1D1275-2K	A1D1275-2K		I-V-1	3-1/2		68.44
HL-A1D1276K	A1D1276		I-V-1	2,3-1/2	STAGES	108.95
HL-A1D1285K	A1D1285		I-V-1	2-3/8		32.57
HL-A1D1868K		HH30 Reeving Cylinder	I-V-12	3-1/2	5	228.42
HL-A1D2105K	A1D2105		N-V-12	1-1/2	3	52.64
HL-A1D2801K	A1D2801		I-V-1	3-1/2		38.32
HL-A1D2844K	A1D2844		P-V-12	2-3/4	5-1/2	110.03
HL-A1D2847-1	A1D2847		I-V-1	3-1/2		49.20
HL-A1D2928K	A1D2928		I-V-12	2	4-1/2	58.58
HL-A1D3503K	A1D3503		I-V-1	3-1/2		37.39
HL-A1D3523K	A1D3523		I-V-1	2,3-1/2	STAGES	67.47
HL-A1D3541-14		Load Lugger	I-U-10	4	4-1/2	63.47
HL-A1D3672K	A1D3672K		I-V-10, 12	2-1/4	3-1/2	61.42
HL-A1D3809K	3809		I-U-10	2	4-1/2	77.90
HL-A1D3856K	A1D3856		I-U-1	2-1/4	3-1/2	37.94
HL-A1D3874K	A1D3874		I-V-1	3-1/2		30.70
HL-A1D3917	A1D3917		I-V-10	3-1/2	5	95.69
HL-K22-3132	A1D3606		I-U-10,12	1-1/2	3	34.47
HL-K252-9310	A1E2125		I-V-12	4-3/4, 6-1/4	STAGES	418.80
HL-K272-0659	A1D3873		I-V-12	2, 3-1/2	STAGES	106.83
HL-K272-0660	A1D3923		I-V-10	3-1/2	5	122.03
HL-K272-0661	A1D3924		I-V-10	3-1/2	5-1/2	114.97
HL-K272-0662	A1D3605, 1-3623		I-U-1	2-1/2	3	39.10
HL-K272-0663	A1D3513		I-V-1	1-1/2		33.81
HL-K272-0664	A1D3921		I-U-10	2	4-1/2	72.49
HL-K272-0665	A1D39021-4017		I-U-10	2-1/4	3-1/2	66.03
HL-K272-0666	4 STAGE EJECTOR		I-V-12	2,3,4,5	STAGES	219.99
HL-K272-0667	A1D3904		I-U-10	2-3/4	5-1/2	115.73
HL-K272-0668	A1D3903		I-U-10	3-1/2	5	107.35
HL-K272-0669	A1D3802		I-U-1	3-1/2	4	42.36
HL-K272-0672	A001-3807		I-U-10	2-1/4	5-1/2	82.33
HL-K272-0673	A001-3531		I-U-10	1-1/2	3	58.65
HL-K272-0674	A001-3525		I-U-10	2	4	63.24
HL-K272-0676	A1D3835		I-V-12	2,3,4	STAGES	165.71

HEIL® REPAIR KIT

Kit Number	Cylinder Number	Description	Code	Rod	Bore	List \$
HL-K272-0677				2,3,4	BEARING	197.13
HL-K272-0933	1-4050, 1-4053, 1-4054		I-V-12	2,3,4,5	STAGES	209.44
HL-K272-0934	1-4052		I-V-12	2,3,4	STAGES	152.96
HL-K272-0937	1-4820, 1-4070		I-V-1	2-1/2	3	37.70
HL-K272-0938	1-4272, 1-4348, 1-4880		I-V-1	3-1/2	4	47.29
HL-K272-0939		Tailgate Cylinder	I-V-12	2-1/2	3	62.73
HL-K272-0941	1-4081		I-U-10, 12	2-3/4	5-1/2	169.29
HL-K272-0944	A1D4100		I-V-10	2-1/4	3-1/2	49.22
HL-K272-0945	A1D4101		I-V-10	2	4-1/2	59.41
HL-K272-0946	A1D4092		I-N-4	1-3/4	3	25.74
HL-K272-0948	A1D4093, 1-4340		I-V-10, 12	2-1/2	5	174.15
HL-K272-0949	A1D4094		I-V-10, 12	3	5	177.55
HL-K272-0950	1-4097		I-V-10, 12	3	4-1/2	117.62
HL-K272-0951			I-V-10	2-1/2	7-1/2	97.49
HL-K272-0953	A1D4103		I-V-10	3-1/2	5	129.80
HL-K272-0954	A1D4104		I-V-10	3-1/2	5-1/2	73.00
HL-K272-0955	A1D4106		I-V-10, 12	2, 3-1/2	STAGES	171.83
HL-K272-0956	A1D4108		I-V-10, 12	2-1/2	4	98.38
HL-K272-0956A	A1D4108		I-V-10	2-1/2	4	98.38
HL-K272-0957	A1D4110		I-V-10, 12	2	4-1/2	141.88
HL-K272-0957A	A1D4110		I-V-10	2	4-1/2	141.88
HL-K272-0958	1-4339, 1-4105, 1-4264		I-U-10	1-1/2	2-1/2	48.52
HL-K272-0959	1-4341, 1-4864		I-V-10	2	4	67.68
HL-K272-0962	A001-4114		I-V-12	1-1/2	3	80.19
HL-K272-0963	1-4265		I-V-10, 12	2-1/4	5-1/2	212.52
HL-K272-0966			I-V-10	1-1/2	3	48.15
HL-K272-0966	1-4305, 1-4283, 1-4870		I-V-10	1-1/2	3	48.15
HL-K272-0969			I-V-10	3-1/2	5	89.83
HL-K272-0974			I-U-10	2	4	69.42
HL-K272-0976	A001-4261		I-V-12	4,5,6	STAGES	407.09
HL-K272-0980			N-N-12		4	42.63
HL-K272-0981	1-4883, 1-4276, 1-4338, 1-4327		I-V-12	1-1/2	3	97.71
HL-K272-0983			I-U-5	4	4-1/2	134.72
HL-K272-0989	1-4309, 1-4298, 1-4878, 1-6160, 1-6189		I-UB-10	4	5-1/2	101.98
HL-K272-0994	1-4328, 1-4330		I-V-10	4	6	74.46
HL-K272-1024	1-4139, 1-4140, 1-4854, 1-4137, 1-4138		I-V-1	3-1/8,4,5	STAGES	108.32
HL-K272-1026	1-4141, 1-4142, 1-4143, 1-4144		I-V-1	4,5,6	STAGES	137.05
HL-K272-1027	1-4143, 1-4144, 1-4141, 1-4142		I-V-1	4,5,6	STAGES	194.09
HL-K272-2771	1-4344		I-V-10, 12	2	5	153.43
HL-K272-2774	001-4343		I-U-1	4,5,6,7	STAGES	573.72
HL-K272-2775	1-4345		I-V-10, 12	2	4	100.21
HL-K272-2776	001-4887		I-V-10, 12	3-1/2	5-1/2	101.52
HL-K272-2778			I-V-10	2-1/2	5	93.31
HL-K272-2880	1-4467		I-U-1	4, 5	STAGES	172.62
HL-K272-2924		Valve Kit				13.36
HL-K272-3083	001-4807		I-V-1	3-1/4, 4	STAGES	54.37
HL-K272-3334	1-4149		I-V-10	3-1/2	5	104.19
HL-K272-3572	1-4849		I-V-12	3-1/2	4	94.46
HL-K272-3581	1-4882		I-V-10	4	5-1/2	86.87
HL-K272-3582	1-4903, 1-6126, 1-4868, 1-4902		I-V-10	2	4	70.51
HL-K272-3583	1-4869		I-V-10	3-1/2	5	118.46
HL-K272-3584	1-4871		I-V-10, 12	2-1/2	4-1/2	95.60
HL-K272-3586	1-4876		I-U-5	1-1/2	2-1/8	40.61
HL-K272-3588	1-4911		I-V-12	3,4,5	STAGES	678.35
HL-K272-3594	1-5088		P-UB-10	1-3/4	3	77.66
HL-K272-3595	1-5082		P-UB-12,14	2	4	234.17
HL-K272-3600	1-5112, 1-5147		I,P-V,UB-1	3,4,5	STAGES	899.12

HEIL

HEIL® REPAIR KIT

Kit Number	Cylinder Number	Description	Code	Rod	Bore	List \$
HL-K272-3605	1-5150		P-UB-14	2-1/2	4-1/2	189.05
HL-K272-3607	1-5146		P-UB-14	4	5-1/2	271.77
HL-K272-3608	001-5110		P-UB-14	2-1/2	5	192.21
HL-K272-3609	001-5111		P-UB-14	3-1/2	5-1/2	290.13
HL-K272-3991	1-4270		I-V-12	4,5,6,7	STAGES	589.55
HL-K272-3991			I-V-12	4,5,6,7	STAGES	589.55
HL-K272-4285			I-V-1	4,5,6	STAGES	232.70
HL-K272-4456			I-U-10	2	6	107.78
HL-K272-4872	1-6076, MRK-CYL 50009-53-189		I,P-UB-12	3,4,5	STAGES	876.38
HL-K272-4884	1-6224, 1-6225, 1-6226		I-U-12	3,4,5,6	STAGES	850.18
HL-K272-4885			I-U-12	3,4,5	STAGES	558.84
HL-K272-4893	1-6191		I-U-4	3-1/4, 4	STAGES	244.59
HL-K272-4932	A1E4159		I-U-1	3-1/8,4,5	STAGES	238.10
HL-K272-4933	1-4140, 1-4137, 1-4138, 1-4139, A1D-4437		I-V-1	3-1/8,4,5	STAGES	192.69
HL-K272-4933-B	1-4140, 1-4137, 1-4138, 1-4139, A1D-4437	Incl top bearings	I-V-1	3-1/8,4,5	STAGES	272.65
HL-K272-4938			I-U-1	4,5,6	STAGES	284.78
HL-K272-4939		Wipers, U-seals, Gland, & Piston Bearings		4,5,6	STAGES	317.46
HL-K272-6627	1-6330		I-UB-4	1-1/8	2-1/2	89.92
HL-K272-8491	001-6445		I-U-4	3-1/4	4	251.88

HERCULES REPLACEMENT CYLINDERS FOR HEIL HPT SERIES DUMP BODIES

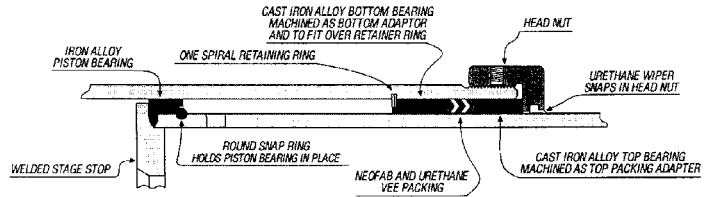
Hercules Part Number	Original Part Number	Changed To	Changed To	Changed To	Current Part Number
HPT53100	A1D1972	A1D3140	A1D3887	A1E3983	A1-4137
HPT53110	A1D1766	A1D3141	A1D3888	A1E3984	A1-4138
HPT53120	A1D1973	A1D3058	A1D3889	A1E3985	A1-4139
HPT53130	A1D1974	A1D3139	A1D3890	A1E3986	A1-4140
HPT63120	A1D2043	A1D3177	A1D3891	A1E3998	A1-4141
HPT63130	A1D2044	A1D3178	A1D3892	A1E3999	A1-4142
HPT63140	A1D2298	A1D3179	A1D3893	A1E4000	A1-4143
HPT63160	A1D2624	A1D3180	A1D3180	A1E3180	A1-4144

REPLACEMENT PARTS FOR DOUBLE ACTING AND SINGLE ACTING TELESCOPIC CYLINDERS

NOTE: The following parts and kits are for the old style Heil telescopic cylinders with vee packing and spiral retainer rings.

- PACKING:** Vee packing with no adaptors.
WIPERS: Some cylinders used bronze wipers trapped between the gland collar and the top bearing. Some cylinders used "AN" wipers which snap into a groove in the gland collar.
BEARINGS: Cast iron that serve as top and bottom adaptors for vee packing.
STAGE O.D.'s: 3-1/8 (3/16" C.S.), 4, 5, 6, (1/4" C.S.)
SPECIAL INFO.: Uses one spiral type retainer ring per stage as internal stop. Gland collars have 2 "ears" cast 180° apart.
IDENTIFICATION: Metal tag attached to cylinder body with model/part number. Example: AID3140

HEIL "OLD STYLE" HPT SERIES



Part Number	Description	List Price
HL26B2090-2A	2" VEE SET & WIPER	\$18.34
HL26B2090-3A	3" VEE SET & WIPER	20.10
HL26B2266-1A	3-1/8" VEE SET & WIPER	33.84
HL26B2260-1A	4" VEE SET & WIPER	36.78
HL26B2260-2A	5" VEE SET & WIPER	65.91
HL26B2260-3A	6" VEE SET & WIPER	70.59
HL26A2083-1	2" SPIRAL RETAINER	5.70
HL26A2083-2	3" SPIRAL RETAINER	10.55
HL26A2240-1	3-1/8" SPIRAL RETAINER	19.58
HL26A2083-3	4" SPIRAL RETAINER	11.75
HL26A2083-4	5" SPIRAL RETAINER	10.67
HL26A2406-1	6" SPIRAL RETAINER	28.46
HL26A2080	2" PISTON RING	11.93
HL26A2081	3" PISTON RING	12.56
HL-1-4881-012	3-1/2" PISTON RING	53.91
HL26A2082	4" PISTON RING	14.25
HL-1-4881-013	4-1/2" PISTON RING	30.08
HL26B2221	5" PISTON RING	19.63
HL-26A4142	4" PISTON SEAL	34.26
HL-26-4149	4-1/2" PISTON SEAL	32.05
HL-26A4149	4-1/2" PISTON SEAL	32.05
HL-26A4151	5" PISTON SEAL	49.07
HL-26-4141	5-1/2" PISTON SEAL	50.61

Part Number	Description	List Price
HL-24	2" - 4" VEE SETS W/ WIPERS	\$73.58
HL-25	2" - 5" VEE SETS W/ WIPERS	123.39
HL-35	3-1/8" - 5" VEE SETS W/ WIPERS	118.79
HL-46	4" - 6" VEE SETS W/ WIPERS	154.78

The following kits contain packing, wiper, top & bottom bearings & spiral snap ring.

Kit Number	Stage O.D.	List Price
HL-2PBTK	2"	\$79.81
HL-3PBTK	3"	86.32
HL-3.12PBTK	3-1/8"	85.52
HL-4PBTK	4"	102.53
HL-5PBTK	5"	137.32
HL-6PBTK	6"	162.07
HL-24PBTK	2" - 4"	280.94
HL-35PBTK	3-1/8" - 5"	305.17
HL-46PBTK	4" - 6"	383.65

HEIL REPLACEMENT PARTS

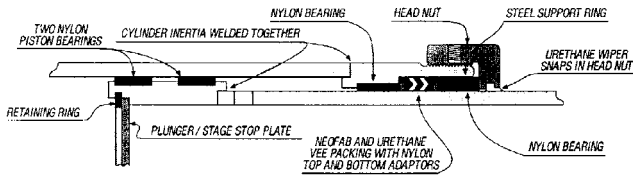
Part Number	Description	List Price
HL-26-4200-43	BACK-UP RINGS - MIN. QTY 3	\$3.83
HL-26-2608-43	O-RINGS - MIN. QTY 3	3.08
HL-26-2083-003	RETAINER RING	11.75

Part Number	Description	List Price
HL-26-3980-12	4" U-SEAL	\$20.18
HL-26-3979-08	Wiper - ODxW - 5-1/2 X 1/2	5.64
HL-26-3977-13	4" Wiper	8.99

HEIL REPLACEMENT PARTS FOR SINGLE ACTING DUMP TRUCK CYLINDERS

NOTE: The following parts and kits are for the new style Heil telescopic dump cylinders with welded stop rings and the base held in with snap rings.

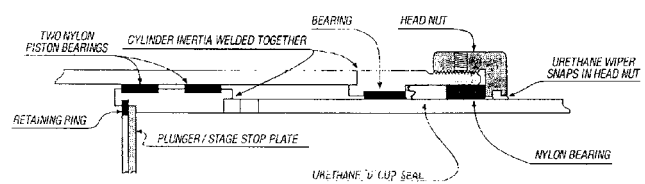
HEIL "NEW STYLE" HPT SERIES



PACKING: Vee packing with nylon top and bottom adaptors.
WIPERS: AN Style
BEARINGS: Split 1/8" thick nylon wear rings.
STAGE O.D.'s: 3-1/8, 4, 5, 6
SPECIAL INFO.: Has welded stop in gland. Cylinder disassembles by removing large Tru-Arc type snap ring which retains the cylinder base and bottom of each stage.
IDENTIFICATION: Metal tag attached to cylinder body with model/part number.
 Example: AIE3938

Part Number	Description	List Price
HL26-4157-3	5" ID UPPER WEAR RING	\$6.28
HL26-4157-4	6" ID UPPER WEAR RING	6.91
HL26-4176-4	6-1/2" OD LOWER WEAR RING	7.39
HL26-4394-1	3-1/8" ID UPPER WEAR RING	7.50
HL26-4394-2	4" ID UPPER WEAR RING	6.28
HL26-4395-1	3-1/2" OD LOWER WEAR RING	8.28
HL26-4395-2	4-1/2" OD LOWER WEAR RING	6.15
HL26-4395-3	5-1/2" OD LOWER WEAR RING	6.42
HL-26-4395-4	6-1/2" OD LOWER WEAR RING	7.39
HL-K272-1024	3-1/8" - 5" PACKING, WIPERS, O-RING	108.32
HL-K272-1026	4" - 6" PACKING, WIPERS, O-RING	137.05
HL-K272-1027	4" - 6" PACKING, WIPERS, WEAR RINGS	194.09

HEIL "NEW STYLE" HPT SERIES



PACKING: Urethane U-Seals
WIPERS: AN Style
BEARINGS: Nylon bearings above and below U-Seal
STAGE O.D.'s: 3-1/8, 4, 5, 6
SPECIAL INFO.: Welded stop in gland. Tru-Arc type snap ring which retains the cylinder base and bottom of each stage.
IDENTIFICATION: Metal tag attached to cylinder body with model/part number.
 Example: AIE4159

Part Number	Description	List Price
HL-K272-3588	3, 4, 5" stages - vee-set, wipers, gland bearing, quattr rings, nylon slug, set screw	\$678.35
HL-K272-4932	3-1/8, 4, 5" stages - U-seals, wipers, gland bearing, quattr rings, nylon slug, set screw	238.10
HL-K272-4938	4, 5, 6" stages - U-seals, wipers, gland bearings, quattr ring, nylon slug, set screw	284.78
HL-K272-4939	4, 5, 6" stages - U-seals, wipers, bearings, quattr ring, nylon slug, set screw	317.46

HEIL SPECIAL HEIL TELESCOPIC VEE SETS

Part Number	Size	List Price
HL26A2038	2-1/2 X 2-7/8	\$10.96
HL26A2039	3-1/4 X 3-5/8	13.05
HL26A2215	1-3/4 X 2-1/8	14.88
HL26B2191-2	6-1/4 X 6-3/4	111.73
HL26B2202-1H	2 X 3 W/WIPER	48.64

Part Number	Size	List Price
HL26B2203-1H	3-1/2 X 5 W/WIPER	\$83.75
HL26B2484-1	6-1/4 X 7-5/16	180.47
HL40004X184	4 X 4-1/2 X 1.845	108.58

HIAB

Replacement Kits For

Cranes								
APPLICATION	CYL #	SERIAL #	CODE	ROD	BORE	Miscellaneous	KIT #	List \$
MODEL 045								
1ST EXTENSION			P-U-15	40 mm	55 mm		HIAB-542121	75.57
2ND & 3RD EXT.			P-U-15	30 mm	50 mm		HIAB-542130	66.57
INNER BOOM			P-U-15	50 mm	90 mm		HIAB-542105	81.96
LONG OUTRIGGER			P-U-15	50 mm	70 mm		HIAB-542156	96.66
OUTER BOOM			P-U-15	50 mm	90 mm		HIAB-542113	82.60
SWING			N-N-5	N/A	100 mm		HIAB-542148	134.03
MODEL 070								
BOOM EXT			P-U-13	33 mm	60 mm		HIAB-330-0897	45.62
	AW		P-U-15	35, 80 mm	60, 70, 92 mm		HIAB-330-0731	219.74
INNER BOOM			P-U-13	90 mm	125 mm		HIAB-330-0871	214.50
OUTER BOOM			P-U-13	70 mm	100 mm		HIAB-330-0889	129.49
MODEL 071								
BOOM EXT	3400441		P-U-15	35, 80 mm	60, 70, 92 mm		HIAB-330-0731	219.74
	3478378		I-U-15	50 mm	80 mm		HIAB-330-1044	66.03
	3501515		I-U-15	50 mm	80 mm		HIAB-330-1044	66.03
	3509052		P-U-15	35, 80 mm	60, 70, 92 mm		HIAB-330-0731	219.74
INNER BOOM	3554589		P-U-13	90 mm	125 mm		HIAB-330-0871	214.50
OUTER BOOM	3300889		P-U-13	70 mm	100 mm		HIAB-330-0889	129.49
OUTRIGGER	3502414		P-U-15	70 mm	90 mm		HIAB-330-1028	71.77
MODEL 100								
BOOM EXT	A		P-SP-15	45 mm	70 mm		HIAB-330-0714	69.08
INNER BOOM			I-SP-15	80 mm	125 mm		HIAB-330-0692	117.09
MODEL 120								
BOOM EXT			P-U-15	40 mm	63 mm	Updated Version	HIAB-330-1320	63.37
			P-U-15	45 mm	63 mm		HIAB-330-1311	56.55
OUTER BOOM			P-U-15	90 mm	125 mm		HIAB-330-1303	154.14
MODEL 140								
BOOM EXT			I-U-15	50 mm	80 mm		HIAB-330-1044	66.03
	AW		P-U-13,15	40, 90 mm	70, 105 mm		HIAB-330-0668	222.53
	AWV		I-U-15	33 mm	60 mm		HIAB-330-1001	41.88
INNER BOOM			I-U-13	80 mm	140 mm		HIAB-330-1036	177.19
OUTER BOOM			I-U-13	80 mm	140 mm		HIAB-330-1036	177.19
MODEL 175								
BOOM EXT	3608603		P-U-15	40 mm	63 mm		HIAB-330-1613	72.08
	3616819		P-U-15	45 mm	70 mm		HIAB-330-1583	82.69
	3622100		P-U-15	45 mm	70 mm		HIAB-330-1583	82.69
	3625681		P-U-15	40 mm	63 mm		HIAB-330-1613	72.08
EXTENSION	3583872		P-U-15	25 mm	40 mm		HIAB-330-1052	105.40
INNER BOOM	3625745		P-U-15	100 mm	160 mm		HIAB-330-1443	203.62
OUTER BOOM	3561330		P-U-15	100 mm	140 mm		HIAB-330-1290	126.62
OUTRIGGER	3531031		P-U-15	70 mm	90 mm		HIAB-330-1028	71.77
	3592774		P-U-15	70 mm	90 mm		HIAB-330-1028	71.77
	3594769		P-U-15	70 mm	90 mm		HIAB-330-1028	71.77
MODEL 650								
BOOM EXT	3088031		I-U-15	33 mm	60 mm		HIAB-330-1001	41.88
	AW		P-U-15	35, 80 mm	60, 70, 92 mm	Model 650/1	HIAB-330-0731	219.74
	AW		P-U-15	32, 85 mm	65, 100 mm		HIAB-330-0633	163.35
D. BOOM EXT	3080005		P-U-15	35, 80 mm	60, 70, 92 mm		HIAB-330-0731	219.74
	3199622		P-U-15	32, 85 mm	65, 100 mm		HIAB-330-0633	163.35
	3402746		P-U-15	32, 85 mm	65, 100 mm		HIAB-330-0633	163.35
	3411176		P-U-15	32, 85 mm	65, 100 mm		HIAB-330-0633	163.35
	3419258		P-U-15	35, 80 mm	60, 70, 92 mm		HIAB-330-0731	219.74
	6216765		P-U-15	32, 85 mm	65, 100 mm		HIAB-330-0633	163.35
D.A. INNER BOOM	3051919		I-U-15	100 mm	140 mm		HIAB-330-0501	133.13
	3091919		I-U-15	100 mm	140 mm		HIAB-330-0501	133.13
	3099199	90001-->	I-U-13	100 mm	140 mm		HIAB-330-0749	130.15

HIAB

HIAB

Replacement Kits For

Cranes

APPLICATION	CYL #	SERIAL #	CODE	ROD	BORE	Miscellaneous	KIT #	List \$
MODEL 650								
INNER BOOM		90001-->	I-U-13	100 mm	140 mm		HIAB-330-0749	130.15
	3155528	-->65450	I-U-1	140 mm	160 mm		HIAB-330-0218	111.52
MODEL 985								
1ST EXTENSION			P-SP-15	45 mm	70 mm		HIAB-330-0714	69.08
2ND EXTENSION			P-U-15	35, 80 mm	60, 70, 92 mm		HIAB-330-0731	219.74
3RD EXTENSION			I-U-15	33 mm	60 mm		HIAB-330-0595	57.60
AH EXTENSION			P-SP-15	45 mm	70 mm		HIAB-330-0714	69.08
INNER BOOM			I-SP-15	80 mm	125 mm		HIAB-330-0692	117.09
OUTER BOOM			I-SP-15	80 mm	125 mm		HIAB-330-0692	117.09
MODEL 1165								
INNER BOOM			I-SP-15	80 mm	140 mm		HIAB-622-1688	134.65
OUTER BOOM			I-SP-15	80 mm	140 mm		HIAB-622-1688	134.65
MODEL 1165/1								
BOOM EXT	A		I-U-15	50 mm	80 mm		HIAB-330-1044	66.03
	AW	TO 1977	P-U-13,15	40, 90 mm	70, 105 mm		HIAB-330-0668	222.53
INNER BOOM			I-U-13	80 mm	140 mm		HIAB-330-1036	177.19
OUTER BOOM			I-U-13	80 mm	140 mm		HIAB-330-1036	177.19
MODEL 1165/2								
BOOM EXT	3407110		P-U-13,15	40, 90 mm	70, 105 mm		HIAB-330-0668	222.53
	3430405		I-U-15	33 mm	60 mm		HIAB-330-1001	41.88
	6215645		I-U-15	50 mm	80 mm		HIAB-330-1044	66.03
INNER BOOM	3445038		I-SP-15	80 mm	140 mm		HIAB-622-1688	134.65
OUTER BOOM	3445852		I-SP-15	80 mm	140 mm		HIAB-622-1688	134.65
MODEL 1770								
BOOM EXT	A		I-U-15	50 mm	80 mm		HIAB-330-1044	66.03
	AW		P-U-13,15	40, 90 mm	70, 105 mm		HIAB-330-0668	222.53
INNER BOOM			P-U-13	80 mm	125 mm		HIAB-872-8330	111.21
OUTER BOOM			P-U-13	100 mm	180 mm		HIAB-872-8348	184.77
OUTRIGGER			P-U-15	90 mm	110 mm	13 Ton Leg	HIAB-330-0773	115.73
MODEL 2640								
INNER BOOM			P-U-13	100 mm	140 mm		HIAB-872-8038	124.53
OUTER BOOM			P-U-13	100 mm	140 mm		HIAB-872-8038	124.53

HIAB

REPLACEMENT KITS FOR HIAB

Kit Number	Code (Pg. xiv)	Rod X Bore Size	List Price
HIAB-121039	P-U-15	63 x 110 mm	\$96.82
HIAB-330-0218	I-U-1	140 X 160 mm	111.52
HIAB-330-0315	N-N-5	100 mm Piston Kit	128.97
HIAB-330-0498	N-N-5	105 mm Piston Kit	142.70
HIAB-330-0501	I-U-15	100 X 140 mm	133.13
HIAB-330-0528	N-N-5	105 mm Piston Kit	145.87
HIAB-330-0595	I-U-15	33 X 60 mm	57.60
HIAB-330-0625	P-O-1	78 mm Rod Kit	49.06
HIAB-330-0633	P-U-15	32, 85 X 65, 100 mm	163.35
HIAB-330-0668	P-U-13, 15	40 , 90 mm Stages	222.53
HIAB-330-0692	I-U-15	80 X 125 mm	117.09
HIAB-330-0714	P-SP-15	45 X 70 mm	69.08
HIAB-330-0731	P-U-15	35, 80 mm Stages	219.74
HIAB-330-0749	I-U-15	100 X 140 mm	130.15
HIAB-330-0773	P-U-15	90 X 110 mm	115.73
HIAB-330-0871	P-U-15	90 X 125 mm	214.50
HIAB-330-0889	P-U-15	70 X 100 mm	129.49
HIAB-330-0897	P-U-15	33 X 60 mm	45.62
HIAB-330-0951	P-U-15	100 X 180 mm	158.97
HIAB-330-1001	I-U-15	33 X 60 mm	41.88
HIAB-330-1028	P-U-15	70 X 90 mm	71.77
HIAB-330-1036	I-U-15	80 X 140 mm	177.19
HIAB-330-1044	I-U-15	50 X 80 mm	66.03
HIAB-330-1052	P-U-15	25 X 40 mm	105.40
HIAB-330-1061	P-U-15	70 X 125 mm	104.74
HIAB-330-1231	P-U-15	90 X 160 mm	145.90
HIAB-330-1249	P-U-15	40 x 70 mm	70.96
HIAB-330-1290	P-U-15	100 X 140 mm	126.62
HIAB-330-1303	P-U-15	90 X 125 mm	154.14
HIAB-330-1311	P-U-15	45 X 63 mm	56.55

Kit Number	Code (Pg. xiv)	Rod X Bore Size	List Price
HIAB-330-1320	P-U-15	40 X 63 mm	\$63.37
HIAB-330-1443	P-U-15	100 X 160 mm	203.62
HIAB-330-1583	P-U-15	45 X 70 mm	82.69
HIAB-330-1613	P-U-15	40 X 63 mm	72.08
HIAB-542105	P-U-15	50 X 90 mm	81.96
HIAB-542113	P-U-15	50 X 90 mm	82.60
HIAB-542121	P-U-15	40 X 55 mm	75.57
HIAB-542130	P-U-15	30 X 50 mm	66.57
HIAB-542148	N-N-5	100 mm Piston Kit	134.03
HIAB-542156	P-U-15	50 X 70 mm	96.66
HIAB-607-2267	I-O-15	74 X 85 mm	58.95
HIAB-622-1599	I-U-15	63 X 125 mm	92.61
HIAB-622-1661	I-SP-15	63 X 140 mm	122.97
HIAB-622-1670	I-SP-15	70 X 140 mm	139.00
HIAB-622-1688	I-SP-15	80 X 140 mm	134.65
HIAB-622-2170	I-U-15	32, 90 mm Stages	254.06
HIAB-711-4659	P-U-15	50 x 110 mm	130.15
HIAB-711-4660	I-U-15	30 x 50 mm	47.18
HIAB-711-5366	I,P-U-15	80 X 140 mm	145.68
HIAB-711-5834	I-U-15	30 X 70 mm	63.38
HIAB-712-4173	I,P-U-15	100 x 180 mm	378.59
HIAB-712-4174	I-U-15	50 x 90 mm	148.25
HIAB-825-2050	P-U-15	45 X 80 mm	73.53
HIAB-872-8038	P-U-15	100 X 140 mm	124.53
HIAB-872-8046	P-U-15	100 X 140 mm	161.93
HIAB-872-8330	P-U-15	80 X 125 mm	111.21
HIAB-872-8348	P-U-15	100 X 180 mm	184.77
HIAB-872-8356	I-SP-15	50 X 80 mm	69.98
HIAB-995-0621	N-N-4	100 mm Piston Kit	64.19
HIAB-995-9122	N-N-5	105 mm Piston Kit	69.82

REPLACEMENT SEAL KITS FOR HITACHI EQUIPMENT*

▶ NEW MODELS

▶ UPDATES

Replacement Seal Kits By Machine Type

Table of Contents

Machine Type		Page
Excavators	EX100, EX100-5, EX100-5LC, EX120, EX120-2, EX120-5, EX120K-3, EX130H-5, EX150, EX150LC-5, EX160LC-5, EX200, EX200LC, EX200-2, EX200LC-2, EX200-3, EX200LC-3, EX200H-3, EX200LCH-3, EX200-5, EX200LC-5, EX210H-5, EX210LCH-5, EX220, EX220-2, EX220-3, EX220LC-3, EX220-5, EX220LC-5, EX230-5, EX230LC-5, EX230H-5, EX230LCH-5, EX270, EX270LC, EX270-5, EX270LC-5, EX280H-5, EX280LCH-5, EX300, EX300LC, EX300-3, EX300LC-3, EX300H-3, EX300LCH-3, EX300-5, EX330-5, EX350-5, EX370-5 (H,HD,K,&L), EX400, EX400LC, EX400H, EX400LCH, EX400-3, EX400LC-3, EX400H-3, EX400LCH-3, EX400-3C, EX400LC-3C, EX450H-3C, EX450LCH-3C, EX400-5, EX400LC-5, EX450LC-5, EX450LCH-5, EX700, EX700H, EX1000, EX1200-5, EX1200-6, EX1800, EX3500, UH083, UH083LC, UH107, UH122, UH122LC, UH123, UH172, UH181, UH501, ZX35U-3, ZX35U-3F, ZX38U-3, ZX38U-3F, ZX120, ZX120E, ZX130H, ZX130K, ZX130LCN, ZX120-3, ZX130-3, ZX130K-3, ZX130LCN-3, ZX135US-3, ZX135US-5 , ZX135USK-3, ZX160LC, ZX160LC-3, ZX160LC-5, ZX160LC-6, ZX200, ZX200LC, ZX210, ZX210LC, ZX210LCH, ZX210K, ZX210LCK, ZX210N, ZX240, ZX200-3, ZX210LC-3, ZX210LC-5, ZX210LC-6, ZX225US-3, ZX225USLC-3, ZX225USLC-5, ZX230, ZX230LC, ZX240-3, ZX240LC-3, ZX240H, ZX240LCH, ZX240K, ZX240LCK, ZX250, ZX250LC, ZX250LCN, ZX250LC-3, ZX250LCN-3, ZX250H-3, ZX250LCH-3, ZX250K-3, ZX250LCK-3, ZX250LC-3, ZX250LCN-3, ZX250H-3, ZX250LCH-3, ZX250K-3, ZX250LCK-3, ZX270, ZX270LC, ZX280LC, ZX280LCN, ZX270-3, ZX330, ZX330LC, ZX330LC-5, ZX350LC, ZX350LCH, ZX350H, ZX350K, ZX350LCK, ZX370, ZX370MTH, ZX330-3, ZX330LC-3, ZX350LC-3, ZX350LC-6, ZX350LCN-3, ZX350H-3, ZX350LCH-3, ZX350K-3, ZX350LCK-3, ZX350LC-5N, ZX360LC-3, ZX450, ZX450LC, ZX450H, ZX450LCH, ZX460LCH, ZX480MT, ZX480MTH, ZX450-3, ZX450LC-3, ZX470H-3, ZX470LCH-3, ZX470LC-5B, ZX500LC-3, ZX520LCH-3, ZX800, ZX850H, ZX870H-3	556 - 596
Excavators - Compact	EX50U, EX50UNA, EX50UR, EX55UR, EX55UR-3, UH07-3, UH07-5, UH07-7, UH009, UH010, UH012, UH016, UH035, UH045, UH061, ZX35U-2, ZX50U, ZX50U-2, ZX50U-3, ZX50U-3F, ZX50U-3U, ZX60, ZX70, ZX70LC, ZX80, ZX80LCK, ZX80SB, ZX80SBLC	596 - 600
Loaders - Wheel	LX100	600
Off-Highway Trucks	EH1600	600
Alpha-Numeric Kit Listing		601 - 606
Hitachi Individual Parts		607 - 613

HITACHI

*All manufacturer's names, part numbers and descriptions are used for reference purposes only. We do not imply that any part shown is the product of these manufacturers. We also do not imply that the list price shown is exactly that of the manufacturer.

Replacement Kits For

HITACHI

Excavators								
APPLICATION	CYL #	SERIAL #	CODE	ROD	BORE	Misc	KIT #	List \$
MODEL EX100								
ARM			P-UB-10	75 mm	105 mm		HIT-4206343	187.36
BOOM			P-UB-10	70 mm	95 mm		HIT-4206340	190.89
BUCKET			P-UB-10	65 mm	95 mm		HIT-4206345	168.61
MODEL EX100-5								
ARM	4187908	02001-	P-UB-10	75 mm	105 mm		HIT-4206343	187.36
	4187908	02001-	P-UB-10	75 mm	105 mm		HIT-4206343-EX	567.20
	4187908	02001-	Bushing	75 mm			HIT-0310504	32.68
	4187908	02001-	Wear Ring		105 mm		HIT-0310510	107.26
	4187908	02001-	Wear Ring		105 mm		HIT-0310509	39.56
BOOM LH	4187907	02001-	P-UB-10	70 mm	95 mm		HIT-4206340	190.89
	4187907	02001-	P-UB-10	70 mm	95 mm		HIT-4206340-EX	255.28
	4187907	02001-	Bushing	70 mm			HIT-0310304	29.53
	4187907	02001-	Wear Ring		95 mm		HIT-0310610	42.35
	4187907	02001-	Wear Ring		95 mm		HIT-0310609	14.18
BOOM RH	4187906	02001-	P-UB-10	70 mm	95 mm		HIT-4206340	190.89
	4187906	02001-	P-UB-10	70 mm	95 mm		HIT-4206340-EX	255.28
	4187906	02001-	Bushing	70 mm			HIT-0310304	29.53
	4187906	02001-	Wear Ring		95 mm		HIT-0310610	42.35
	4187906	02001-	Wear Ring		95 mm		HIT-0310609	14.18
BUCKET	4187909	02001-	P-UB-10	65 mm	95 mm		HIT-4206345	168.61
	4187909	02001-	P-UB-10	65 mm	95 mm		HIT-4206345-EX	232.82
	4187909	02001-	Bushing	65 mm			HIT-0310604	26.16
	4187909	02001-	Wear Ring		95 mm		HIT-0310610	42.35
	4187909	02001-	Wear Ring		95 mm		HIT-0310609	14.18
MODEL EX100-5LC								
ARM	4187908	02001-	P-UB-10	75 mm	105 mm		HIT-4206343	187.36
	4187908	02001-	P-UB-10	75 mm	105 mm		HIT-4206343-EX	567.20
	4187908	02001-	Bushing	75 mm			HIT-0310504	32.68
	4187908	02001-	Wear Ring		105 mm		HIT-0310510	107.26
	4187908	02001-	Wear Ring		105 mm		HIT-0310509	39.56
BOOM LH	4187907	02001-	P-UB-10	70 mm	95 mm		HIT-4206340	190.89
	4187907	02001-	P-UB-10	70 mm	95 mm		HIT-4206340-EX	255.28
	4187907	02001-	Bushing	70 mm			HIT-0310304	29.53
	4187907	02001-	Wear Ring		95 mm		HIT-0310609	14.18
	4187907	02001-	Wear Ring		95 mm		HIT-0310610	42.35
BOOM RH	4187906	02001-	P-UB-10	70 mm	95 mm		HIT-4206340	190.89
	4187906	02001-	P-UB-10	70 mm	95 mm		HIT-4206340-EX	255.28
	4187906	02001-	Bushing	70 mm			HIT-0310304	29.53
	4187906	02001-	Wear Ring		95 mm		HIT-0310610	42.35
	4187906	02001-	Wear Ring		95 mm		HIT-0310609	14.18
BUCKET	4187909	02001-	P-UB-10	65 mm	95 mm		HIT-4206345	168.61
	4187909	02001-	P-UB-10	65 mm	95 mm		HIT-4206345-EX	232.82
	4187909	02001-	Bushing	65 mm			HIT-0310604	26.16
	4187909	02001-	Wear Ring		95 mm		HIT-0310610	42.35
	4187909	02001-	Wear Ring		95 mm		HIT-0310609	14.18
MODEL EX120								
ARM			P-UB-10	80 mm	115 mm		HIT-4206344	200.35
BOOM			P-UB-10	75 mm	105 mm		HIT-4206343	187.36
BUCKET			P-UB-10	65 mm	95 mm		HIT-4206345	168.61
MODEL EX120-2								
ARM			P-UB-10	80 mm	110 mm		HIT-4286463	225.31
BOOM			P-UB-10	70 mm	105 mm		HIT-4286459	168.15
BUCKET			P-UB-10	65 mm	95 mm		HIT-4286739	185.88
MODEL EX120-5								
ARM	4317313	030001-	P-UB-10	80 mm	110 mm		HIT-4364913	161.19

Hercules Sealing Products and original equipment Hitachi kits may not include the necessary wear rings for your cylinder rebuild. Kits with an -EX suffix will include these wear rings.

Please ask your sales representative for a cross-reference if no -EX kit or complementary parts are listed.

HITACHI

Replacement Kits For

HITACHI

Excavators								
APPLICATION	CYL #	SERIAL #	CODE	ROD	BORE	Misc	KIT #	List \$
MODEL EX120-5								
ARM	4317313	030001-	P-UB-10	80 mm	110 mm		HIT-4364913-EX	257.75
	4317313	030001-	Wear Ring		110 mm		HIT-0298907	88.77
	4317313	030001-	Wear Ring		110 mm		HIT-0667008	8.71
	4371393	030001-	P-UB-10	75 mm	105 mm	Offset Boom	HIT-4379261	140.65
	4371393	030001-	P-UB-10	75 mm	105 mm		HIT-4379261-EX	238.16
	4371393	030001-	Wear Ring		105 mm	Offset Boom	HIT-0666808	8.53
BLADE LH	4361273	030001-	P-UB-10	70 mm	100 mm		HIT-4388027	442.43
	4397513	030001-	P-UB-10	70 mm	100 mm		HIT-4388027	442.43
BLADE RH	4359928	030001-	P-UB-10	70 mm	100 mm		HIT-4388027	442.43
BOOM LH	4317312	030001-	P-UB-10	70 mm	105 mm		HIT-4364912	134.54
	4317312	030001-	P-UB-10	70 mm	105 mm		HIT-4364912-EX	232.08
	4317312	030001-	Wear Ring		105 mm		HIT-0666808	8.53
	4317312	030001-	Wear Ring		105 mm		HIT-0310510	107.26
	4372542	030001-	P-UB-10	70 mm	95 mm	Offset Boom	HIT-4379260	127.98
	4372542	030001-	P-UB-10	70 mm	95 mm		HIT-4379260-EX	221.68
	4372542	030001-	Wear Ring		95 mm	Offset Boom	HIT-0667108	8.01
	4372542	030001-	Wear Ring		95 mm	Offset Boom	HIT-0310610	42.35
BOOM RH	4317311	030001-	P-UB-10	70 mm	105 mm		HIT-4364912	134.54
	4317311	030001-	P-UB-10	70 mm	105 mm		HIT-4364912-EX	232.08
	4317311	030001-	Wear Ring		105 mm		HIT-0310510	107.26
	4317311	030001-	Wear Ring		105 mm		HIT-0666808	8.53
	4372544	030001-	P-UB-10	70 mm	95 mm	Offset Boom	HIT-4379260	127.98
	4372544	030001-	P-UB-10	70 mm	95 mm		HIT-4379260-EX	221.68
	4372544	030001-	Wear Ring		95 mm	Offset Boom	HIT-0310610	42.35
BUCKET	4316457	030001-	P-UB-10	65 mm	95 mm		HIT-4364914	406.04
MODEL EX120K-3								
ARM	4257644	28201-	P-UB-10	80 mm	110 mm		HIT-4320993	153.03
	4257644	28201-	P-UB-10	80 mm	110 mm		HIT-4320993-EX	405.29
	4257644	28201-	Wear Ring		110 mm		HIT-0298907	88.77
	4257644	28201-	Wear Ring		110 mm		HIT-0409009	49.04
BOOM LH	4257643	28201-	P-UB-10	70 mm	105 mm		HIT-4320990	207.08
BOOM RH	4257642	28201-	P-UB-10	70 mm	105 mm		HIT-4320990	207.08
BUCKET	4269538	28201-	P-UB-10	65 mm	95 mm		HIT-4320994	406.04
MODEL EX130H-5								
ARM	4317313	030001-	P-UB-10	80 mm	110 mm		HIT-4364913	161.19
	4317313	030001-	P-UB-10	80 mm	110 mm		HIT-4364913-EX	257.75
	4317313	030001-	Wear Ring		110 mm		HIT-0667008	8.71
	4317313	030001-	Wear Ring		110 mm		HIT-0298907	88.77
	4371393	030001-	P-UB-10	75 mm	105 mm	Offset Boom	HIT-4379261	140.65
	4371393	030001-	P-UB-10	75 mm	105 mm		HIT-4379261-EX	238.16
	4371393	030001-	Wear Ring		105 mm	Offset Boom	HIT-0666808	8.53
	4371393	030001-	Wear Ring		120 mm	Offset Boom	HIT-H227906	8.89
	BLADE LH	4361273	030001-	P-UB-10	70 mm	100 mm		HIT-4388027
4397513		030001-	P-UB-10	70 mm	100 mm		HIT-4388027	442.43
BLADE RH	4359928	030001-	P-UB-10	70 mm	100 mm		HIT-4388027	442.43
BOOM LH	4317312	030001-	P-UB-10	70 mm	105 mm		HIT-4364912	134.54
	4317312	030001-	P-UB-10	70 mm	105 mm		HIT-4364912-EX	232.08
	4317312	030001-	Wear Ring		105 mm		HIT-0666808	8.53
	4317312	030001-	Wear Ring		105 mm		HIT-0310510	107.26
	4372542	030001-	P-UB-10	70 mm	95 mm	Offset Boom	HIT-4379260	127.98
	4372542	030001-	P-UB-10	70 mm	95 mm		HIT-4379260-EX	221.68
	4372542	030001-	Wear Ring		95 mm	Offset Boom	HIT-0667108	8.01
4372542	030001-	Wear Ring		95 mm	Offset Boom	HIT-0310610	42.35	

Hercules Sealing Products and original equipment Hitachi kits may not include the necessary wear rings for your cylinder rebuild. Kits with an -EX suffix will include these wear rings.

Please ask your sales representative for a cross-reference if no -EX kit or complementary parts are listed.

HITACHI

Excavators								
APPLICATION	CYL #	SERIAL #	CODE	ROD	BORE	Misc	KIT #	List \$
MODEL EX130H-5								
BOOM RH	4317311	030001-	P-UB-10	70 mm	105 mm		HIT-4364912	134.54
	4317311	030001-	P-UB-10	70 mm	105 mm		HIT-4364912-EX	232.08
	4317311	030001-	Wear Ring		105 mm		HIT-0310510	107.26
	4317311	030001-	Wear Ring		105 mm		HIT-0666808	8.53
	4372544	030001-	P-UB-10	70 mm	95 mm	Offset Boom	HIT-4379260	127.98
	4372544	030001-	P-UB-10	70 mm	95 mm		HIT-4379260-EX	221.68
	4372544	030001-	Wear Ring		95 mm	Offset Boom	HIT-0310610	42.35
	4372544	030001-	Wear Ring		95 mm	Offset Boom	HIT-0667108	8.01
BUCKET	4316457	030001-	P-UB-10	65 mm	95 mm		HIT-4364914	406.04
MODEL EX150								
ARM	4193532	01001-	P-UB-10	85 mm	120 mm		HIT-4216264P	310.90
BOOM LH	4193533	01001-	P-UB-10	80 mm	115 mm		HIT-4369893P	251.27
BOOM RH	4193531	01001-	P-UB-10	80 mm	115 mm		HIT-4369893P	251.27
BUCKET	4193534	01001-	P-UB-10	80 mm	115 mm		HIT-4369893P	251.27
MODEL EX150LC-5, EX160LC-5								
ARM	4370784	1002-	P-UB-10	85 mm	115 mm		HIT-4389720	318.81
	4370784	1002-	Bushing	85 mm			HIT-4272960	41.83
	4370784	1002-	Wear Ring		115 mm		HIT-0310908	45.42
	4370784	1002-	Wear Ring		115 mm		HIT-0686405	8.71
BOOM LH	4370783	1002-	P-UB-10	80 mm	110 mm		HIT-4389719	281.10
	4370783	1002-	Bushing	80 mm			HIT-0309304	37.68
	4370783	1002-	Wear Ring		110 mm		HIT-0667008	8.71
	4370783	1002-	Wear Ring		110 mm		HIT-0298907	88.77
BOOM RH	4370782	1002-	P-UB-10	80 mm	110 mm		HIT-4389719	281.10
	4370782	1002-	Bushing	80 mm			HIT-0309304	37.68
	4370782	1002-	Wear Ring		110 mm		HIT-0298907	88.77
	4370782	1002-	Wear Ring		110 mm		HIT-0667008	8.71
BUCKET	4370785	1002-	P-UB-10	75 mm	105 mm		HIT-4389721	207.19
	4370785	1002-	Bushing	75 mm			HIT-0310504	32.68
	4370785	1002-	Wear Ring		105 mm		HIT-0666808	8.53
	4370785	1002-	Wear Ring		105 mm		HIT-0310510	107.26
MODEL EX200, EX200LC								
ARM	4180278	30001-	P-UB-10	95 mm	135 mm		HIT-4206019	361.01
BOOM LH	4180277	30001-	P-UB-10	85 mm	125 mm		HIT-4206018	244.44
	4223826	30001-	P-UB-10	85 mm	125 mm		HIT-4206018	244.44
BOOM RH	4180276	30001-	P-UB-10	85 mm	125 mm		HIT-4206018	244.44
	4223825	30001-	P-UB-10	85 mm	125 mm		HIT-4206018	244.44
BUCKET	4180279	30001-	P-UB-10	80 mm	120 mm		HIT-4206020	271.86
CLAMSHELL	2024987	30001-	P-UB-10	85 mm	135 mm		HIT-4214722	253.83
MODEL EX200-2, EX200LC-2								
ARM	4250226	60001-	P-UB-10	95 mm	130 mm		HIT-4286780	277.80
	4250226	60001-	Bushing	95 mm			HIT-0309204	45.45
	4250226	60001-	Wear Ring		130 mm		HIT-0409912	21.73
	4250226	60001-	Wear Ring		130 mm		HIT-0254309	55.92
BOOM LH	4250224	60001-	P-UB-10	85 mm	120 mm		HIT-4286774	268.48
	4250224	60001-	Bushing	85 mm			HIT-4272960	41.83
	4250224	60001-	Wear Ring		120 mm		HIT-0261308	52.73
	4250224	60001-	Wear Ring		120 mm		HIT-0309309	17.65
BOOM RH	4250223	60001-	P-UB-10	85 mm	120 mm		HIT-4286774	268.48
	4250223	60001-	Bushing	85 mm			HIT-4272960	41.83
	4250223	60001-	Wear Ring		120 mm		HIT-0309309	17.65
	4250223	60001-	Wear Ring		120 mm		HIT-0261308	52.73
BUCKET	4250225	60001-	P-UB-10	75 mm	110 mm		HIT-4286784	202.81
	4250225	60001-	Bushing	75 mm			HIT-0310504	32.68
	4250225	60001-	Wear Ring		110 mm		HIT-0298907	88.77

Hercules Sealing Products and original equipment Hitachi kits may not include the necessary wear rings for your cylinder rebuild. Kits with an -EX suffix will include these wear rings.

Please ask your sales representative for a cross-reference if no -EX kit or complementary parts are listed.

HITACHI

Replacement Kits For

HITACHI

Excavators									
APPLICATION	CYL #	SERIAL #	CODE	ROD	BORE	Misc	KIT #	List \$	
MODEL EX200-2, EX200LC-2									
BUCKET	4250225	60001-	Wear Ring		110 mm		HIT-0410005	16.84	
	4287889	60001-	Bushing	65 mm		River	HIT-0310604	26.16	
	4287889	60001-	Wear Ring		95 mm	River	HIT-0310609	14.18	
	4287889	60001-	Wear Ring		95 mm	River	HIT-0310610	42.35	
	4287889	60001-D91/12	P-UB-10	65 mm	95 mm	River	HIT-4286739	185.88	
CLAMSHELL	4288743	60001-	P-UB-10	85 mm	125 mm		HIT-4369902	416.16	
	4288743	60001-	Bushing	85 mm			HIT-4272960	41.83	
	4288743	60001-	Wear Ring		125 mm		HIT-0309009	18.49	
	4288743	60001-	Wear Ring		125 mm		HIT-0223713	54.95	
ROLLING	4305528	65612-	P-UB-10	95 mm	150 mm		HIT-4320954	262.99	
	4305528	65612-	Bushing	95 mm			HIT-0309204	45.45	
	4305528	65612-	Wear Ring		150 mm		HIT-0237220	63.71	
	4305528	65612-	Wear Ring		150 mm		HIT-0387305	24.02	
MODEL EX200-3, EX200LC-3, EX200H-3, EX200LCH-3									
ARM	4314778	78001-	Bushing	95 mm			HIT-0309204	45.45	
	4314778	78001-	Wear Ring		130 mm		HIT-0409912	21.73	
	4314778	78001-	Wear Ring		130 mm		HIT-0254309	55.92	
	4314778	D95/06-	P-UB-10	95 mm	130 mm		HIT-4369914	333.23	
BOOM LH	4250224	78001-	P-UB-10	85 mm	120 mm		HIT-4369901	260.46	
	4250224	78001-	Bushing	85 mm			HIT-4272960	41.83	
	4250224	78001-	Wear Ring		120 mm		HIT-0309309	17.65	
	4250224	78001-	Wear Ring		120 mm		HIT-0261308	52.73	
	4250224	D95/06-	P-UB-10	85 mm	120 mm		HIT-4369901	260.46	
BOOM RH	4250223	78001-	Bushing	85 mm			HIT-4272960	41.83	
	4250223	78001-	Wear Ring		120 mm		HIT-0309309	17.65	
	4250223	78001-	Wear Ring		120 mm		HIT-0261308	52.73	
	4250223	D95/06-	P-UB-10	85 mm	120 mm		HIT-4369901	260.46	
BUCKET	4250225	78001-	Bushing	75 mm			HIT-0310504	32.68	
	4250225	78001-	Wear Ring		110 mm		HIT-0298907	88.77	
	4250225	78001-	Wear Ring		110 mm		HIT-0410005	16.84	
	4250225	D95/06-	P-UB-10	75 mm	110 mm		HIT-4369890	234.32	
	4287889	78001-	Bushing	65 mm		River	HIT-0310604	26.16	
	4287889	78001-	Wear Ring		95 mm	River	HIT-0310610	42.35	
	4287889	78001-	Wear Ring		95 mm	River	HIT-0310609	14.18	
	4287889	D95/06-	P-UB-10	65 mm	95 mm	River	HIT-4369766	151.83	
	4288743	78001-	Bushing	85 mm			HIT-4272960	41.83	
	4288743	78001-	Wear Ring		125 mm		HIT-0223713	54.95	
CLAMSHELL	4288743	78001-	Wear Ring		125 mm		HIT-0309009	18.49	
	4288743	78001-D95/05	P-UB-10	85 mm	125 mm		HIT-4369902	416.16	
	4288743	D95/06-	P-UB-10	85 mm	125 mm		HIT-4369902	416.16	
	MODEL EX200-5, EX200LC-5, EX210H-5, EX210LCH-5								
	ARM	4316930	050001-	P-UB-10	95 mm	130 mm		HIT-4364916	343.22
4316930		050001-	P-UB-10	95 mm	130 mm		HIT-4364916-EX	463.84	
4316930		050001-	Bushing	95 mm			HIT-0309204	45.45	
4316930		050001-	Wear Ring		130 mm		HIT-0254309	55.92	
4316930		050001-	Wear Ring		130 mm		HIT-0667409	9.15	
4372914		050001-	P-UB-10	95 mm	130 mm		HIT-4364916	343.22	
4372914		050001-	P-UB-10	95 mm	130 mm		HIT-4364916-EX	463.84	
4372914		050001-	Bushing	95 mm			HIT-0309204	45.45	
4372914		050001-	Wear Ring		130 mm		HIT-0254309	55.92	
4372914		050001-	Wear Ring		130 mm		HIT-0667409	9.15	
BOOM LH		4317394	050001-	P-UB-10	85 mm	120 mm		HIT-4364915	271.97
	4317394	050001-	P-UB-10	85 mm	120 mm		HIT-4364915-EX	383.95	
	4317394	050001-	Bushing	85 mm			HIT-4272960	41.83	
	4317394	050001-	Wear Ring		120 mm		HIT-0667206	8.89	

Hercules Sealing Products and original equipment Hitachi kits may not include the necessary wear rings for your cylinder rebuild. Kits with an -EX suffix will include these wear rings.

Please ask your sales representative for a cross-reference if no -EX kit or complementary parts are listed.

Replacement Kits For

HITACHI

Excavators

APPLICATION	CYL #	SERIAL #	CODE	ROD	BORE	Misc	KIT #	List \$	
MODEL EX200-5, EX200LC-5, EX210H-5, EX210LCH-5									
BOOM LH	4317394	050001-	Wear Ring		120 mm		HIT-0261308	52.73	
	4372913	050001-	P-UB-10	85 mm	120 mm		HIT-4364915	271.97	
	4372913	050001-	P-UB-10	85 mm	120 mm		HIT-4364915-EX	383.95	
	4372913	050001-	Bushing	85 mm			HIT-4272960	41.83	
	4372913	050001-	Wear Ring		120 mm		HIT-0667206	8.89	
	4372913	050001-	Wear Ring		120 mm		HIT-0261308	52.73	
BOOM RH	4317393	050001-	P-UB-10	85 mm	120 mm		HIT-4364915	271.97	
	4317393	050001-	P-UB-10	85 mm	120 mm		HIT-4364915-EX	383.95	
	4317393	050001-	Bushing	85 mm			HIT-4272960	41.83	
	4317393	050001-	Wear Ring		120 mm		HIT-0667206	8.89	
	4317393	050001-	Wear Ring		120 mm		HIT-0261308	52.73	
	4372912	050001-	P-UB-10	85 mm	120 mm		HIT-4364915	271.97	
	4372912	050001-	P-UB-10	85 mm	120 mm		HIT-4364915-EX	383.95	
	4372912	050001-	Bushing	85 mm			HIT-4272960	41.83	
	4372912	050001-	Wear Ring		120 mm		HIT-0667206	8.89	
	4372912	050001-	Wear Ring		120 mm		HIT-0261308	52.73	
	BUCKET	4318327	050001-	P-UB-10	75 mm	110 mm		HIT-4369890	234.32
		4318327	050001-	P-UB-10	75 mm	110 mm		HIT-4369890-EX	396.91
		4318327	050001-	Bushing	75 mm			HIT-0310504	32.68
4318327		050001-	Wear Ring		110 mm		HIT-0298907	88.77	
4318327		050001-	Wear Ring		110 mm		HIT-0410005	16.84	
4371061		050001-	P-UB-10	65 mm	95 mm	River	HIT-4369766	151.83	
4371061		050001-	P-UB-10	65 mm	95 mm	River	HIT-4369766-EX	241.15	
4371061		050001-	Bushing	65 mm		River	HIT-0310604	26.16	
4371061		050001-	Wear Ring		95 mm	River	HIT-0310610	42.35	
4371061		050001-	Wear Ring		95 mm	River	HIT-0310609	14.18	
4372915		050001-	P-UB-10	75 mm	110 mm		HIT-4369890	234.32	
4372915		050001-	P-UB-10	75 mm	110 mm		HIT-4369890-EX	396.91	
4372915		050001-	Bushing	75 mm			HIT-0310504	32.68	
4372915		050001-	Wear Ring		110 mm		HIT-0298907	88.77	
4372915		050001-	Wear Ring		110 mm		HIT-0410005	16.84	
CLAMSHELL		4288743	050001-	P-UB-10	85 mm	125 mm		HIT-4369902	416.16
		4288743	050001-	Bushing	85 mm			HIT-4272960	41.83
		4288743	050001-	Wear Ring		125 mm		HIT-0309009	18.49
		4288743	050001-	Wear Ring		125 mm		HIT-0223713	54.95
MODEL EX220									
ARM				P-UB-14	100 mm	145 mm		HIT-4203831	304.92
BOOM			P-UB-10	90 mm	135 mm		HIT-4203830	281.10	
BUCKET			P-UB-10	90 mm	135 mm		HIT-4203830	281.10	
MODEL EX220-2									
ARM			P-UB-10	100 mm	135 mm		HIT-9103843	326.83	
BOOM			P-UB-10	90 mm	125 mm		HIT-9103842	249.50	
BUCKET			P-UB-14	85 mm	125 mm		HIT-9103844	251.66	
MODEL EX220-3, EX220LC-3									
ARM	9101317	10001-	P-UB-10	100 mm	135 mm		HIT-9103843	326.83	
	9101317	10001-	Bushing	100 mm			HIT-4272963	62.79	
	9101317	10001-	Wear Ring		135 mm		HIT-4185246	66.74	
	9101317	10001-	Wear Ring		135 mm		HIT-4252191	27.10	
BOOM LH	9101316	10001-	P-UB-10	90 mm	125 mm		HIT-9103842	249.50	
	9101316	10001-	Bushing	90 mm			HIT-4272961	40.34	
	9101316	10001-	Wear Ring		125 mm		HIT-4253562	19.69	
BOOM RH	9101316	10001-	Wear Ring		125 mm		HIT-4168234	61.48	
	9101315	10001-	P-UB-10	90 mm	125 mm		HIT-9103842	249.50	
	9101315	10001-	Bushing	90 mm			HIT-4272961	40.34	
	9101315	10001-	Wear Ring		125 mm		HIT-4253562	19.69	

Hercules Sealing Products and original equipment Hitachi kits may not include the necessary wear rings for your cylinder rebuild.
Kits with an -EX suffix will include these wear rings.

Please ask your sales representative for a cross-reference if no -EX kit or complementary parts are listed.

HITACHI

Replacement Kits For

HITACHI

Excavators									
APPLICATION	CYL #	SERIAL #	CODE	ROD	BORE	Misc	KIT #	List \$	
MODEL EX220-3, EX220LC-3									
BOOM RH	9101315	10001-	Wear Ring		125 mm		HIT-4168234	61.48	
BUCKET	9101318	10001-	P-UB-14	85 mm	125 mm		HIT-9103844	251.66	
	9101318	10001-	Bushing	85 mm			HIT-4272960	41.83	
	9101318	10001-	Wear Ring		125 mm		HIT-4168234	61.48	
	9101318	10001-	Wear Ring		125 mm		HIT-4253562	19.69	
MODEL EX220-5, EX220LC-5, EX230-5, EX230LC-5, EX230H-5, EX230LCH-5									
ARM	4380500	1001-	P-UB-10	105 mm	145 mm	River	HIT-4369943	362.45	
	4380500	1001-	Bushing	105 mm		River	HIT-0373405	53.57	
	4380500	1001-	Wear Ring		145 mm	River	HIT-0492209	23.83	
	4380500	1001-	Wear Ring		145 mm	River	HIT-0373413	90.75	
	9101317	1001-	P-UB-14	100 mm	135 mm		HIT-9178284	254.45	
	9101317	1001-	Bushing	100 mm			HIT-4272963	62.79	
	9101317	1001-	Wear Ring		135 mm		HIT-4252191	27.10	
	9101317	1001-	Wear Ring		135 mm		HIT-4185246	66.74	
	9147233	1001-	Bushing	100 mm			HIT-4272963	62.79	
	9147233	1001-	Wear Ring		135 mm		HIT-4252191	27.10	
	9147233	1001-	Wear Ring		135 mm		HIT-4185246	66.74	
	9147233	D96/12-	P-UB-14	100 mm	135 mm		HIT-9178284	254.45	
	BOOM LH	9101316	1001-	P-UB-14	90 mm	125 mm		HIT-9178283	190.83
		9101316	1001-	Bushing	90 mm			HIT-4272961	40.34
9101316		1001-	Wear Ring		125 mm		HIT-4168234	61.48	
9101316		1001-	Wear Ring		125 mm		HIT-4253562	19.69	
9147232		1001-	Bushing	90 mm			HIT-4272961	40.34	
9147232		1001-	Wear Ring		125 mm		HIT-4253562	19.69	
9147232		1001-	Wear Ring		125 mm		HIT-4168234	61.48	
9147232		D96/12-	P-UB-14	90 mm	125 mm		HIT-9178283	190.83	
BOOM RH	9101315	1001-	P-UB-14	90 mm	125 mm		HIT-9178283	190.83	
	9101315	1001-	Bushing	90 mm			HIT-4272961	40.34	
	9101315	1001-	Wear Ring		125 mm		HIT-4168234	61.48	
	9101315	1001-	Wear Ring		125 mm		HIT-4253562	19.69	
	9147231	1001-	P-UB-14	90 mm	125 mm		HIT-9178283	190.83	
	9147231	1001-	Bushing	90 mm			HIT-4272961	40.34	
	9147231	1001-	Wear Ring		125 mm		HIT-4168234	61.48	
	9147231	1001-	Wear Ring		125 mm		HIT-4253562	19.69	
BUCKET	4371061	1001-	P-UB-10	65 mm	95 mm	River	HIT-4369766	151.83	
	4371061	1001-	Bushing	65 mm		River	HIT-0310604	26.16	
	4371061	1001-	Wear Ring		95 mm	River	HIT-0310610	42.35	
	4371061	1001-	Wear Ring		95 mm	River	HIT-0310609	14.18	
	9101318	1001-	P-UB-14	85 mm	125 mm		HIT-9178294	199.77	
	9101318	1001-	Bushing	85 mm			HIT-4272960	41.83	
	9101318	1001-	Wear Ring		125 mm		HIT-4253562	19.69	
	9101318	1001-	Wear Ring		125 mm		HIT-4168234	61.48	
	9147234	1001-	Bushing	85 mm			HIT-4272960	41.83	
	9147234	1001-	Wear Ring		125 mm		HIT-4168234	61.48	
	9147234	1001-	Wear Ring		125 mm		HIT-4253562	19.69	
	9147234	D96/12-	P-UB-14	85 mm	125 mm		HIT-9178294	199.77	
	MODEL EX270, EX270LC								
ARM	9076106	50001-	P-UB-14	105 mm	150 mm		HIT-9078844	448.88	
BOOM	ALL	50001-	P-UB-14	95 mm	145 mm		HIT-9078843	299.91	
BUCKET	ALL	50001-	P-UB-14	95 mm	145 mm		HIT-9078843	299.91	
MODEL EX270-5, EX270LC-5, EX280H-5, EX280LCH-5									
ARM	9147237	10001-	P-UB-14	100 mm	145 mm		HIT-9180579	271.40	
	9147237	10001-	Bushing	100 mm			HIT-4272963	62.79	
	9147237	10001-	Wear Ring		145 mm		HIT-4194621	25.24	
	9147237	10001-	Wear Ring		145 mm		HIT-4185247	73.01	

Hercules Sealing Products and original equipment Hitachi kits may not include the necessary wear rings for your cylinder rebuild.
Kits with an -EX suffix will include these wear rings.

Please ask your sales representative for a cross-reference if no -EX kit or complementary parts are listed.

Replacement Kits For

HITACHI

Excavators								
APPLICATION	CYL #	SERIAL #	CODE	ROD	BORE	Misc	KIT #	List \$
MODEL EX270-5, EX270LC-5, EX280H-5, EX280LCH-5								
BOOM LH	9147236	10001-	P-UB-14	95 mm	135 mm		HIT-9180587	239.14
	9147236	10001-	Bushing	95 mm			HIT-4272962	45.45
	9147236	10001-	Wear Ring		135 mm		HIT-4185246	66.74
	9147236	10001-	Wear Ring		135 mm		HIT-4252191	27.10
BOOM RH	9147235	10001-	P-UB-14	95 mm	135 mm		HIT-9180587	239.14
	9147235	10001-	Bushing	95 mm			HIT-4272962	45.45
	9147235	10001-	Wear Ring		135 mm		HIT-4185246	66.74
	9147235	10001-	Wear Ring		135 mm		HIT-4252191	27.10
BUCKET	9147238	10001-	P-UB-14	90 mm	135 mm		HIT-9180580	218.28
	9147238	10001-	Bushing	90 mm			HIT-4272961	40.34
	9147238	10001-	Wear Ring		135 mm		HIT-4252191	27.10
	9147238	10001-	Wear Ring		135 mm		HIT-4185246	66.74
MODEL EX300, EX300LC								
ARM			P-UB-14	110 mm	165 mm		HIT-9078846	440.53
BOOM			P-UB-14	100 mm	145 mm		HIT-9078845	304.92
BUCKET			P-UB-14	95 mm	145 mm		HIT-9078843	299.91
MODEL EX300-3, EX300LC-3, EX300H-3, EX300LCH-3								
ARM	9122617		P-UB-14	110 mm	165 mm		HIT-9123264	245.43
	9122617	7001-	Bushing	110 mm			HIT-4284534	101.84
	9122617	7001-	Wear Ring		165 mm		HIT-4194623	36.96
	9122617	7001-	Wear Ring		165 mm		HIT-4194624	154.68
BOOM LH	9122616	7001-	P-UB-14	100 mm	145 mm		HIT-9078845	304.92
	9122616	7001-	Bushing	100 mm			HIT-4272963	62.79
	9122616	7001-	Wear Ring		145 mm		HIT-4185247	73.01
	9122616	7001-	Wear Ring		145 mm		HIT-4185249	20.14
BOOM RH	9122615	7001-	P-UB-14	100 mm	145 mm		HIT-9078845	304.92
	9122615	7001-	Bushing	100 mm			HIT-4272963	62.79
	9122615	7001-	Wear Ring		145 mm		HIT-4185247	73.01
	9122615	7001-	Wear Ring		145 mm		HIT-4185249	20.14
BUCKET	4326775	7001-	P-UB-10	65 mm	100 mm	River	HIT-4369767	159.49
	4326775	7001-	Bushing	65 mm		River	HIT-0310604	26.16
	4326775	7001-	Wear Ring		100 mm	River	HIT-0326005	15.78
	4326775	7001-	Wear Ring		100 mm	River	HIT-0254908	81.30
	9122618	7001-	Bushing	95 mm			HIT-4284535	53.46
	9122618	7001-	Wear Ring		145 mm		HIT-4185249	20.14
	9122618	7001-	Wear Ring		145 mm		HIT-4185247	73.01
	9122618	7001-HL803556	P-UB-14	95 mm	145 mm		HIT-9123265	194.90
9122618	HL803557-	P-UB-14	95 mm	145 mm		HIT-9175564	220.35	
MODEL EX300-5, EX330-5, EX350-5, EX370-5 (H,HD,K,&LC)								
ARM	9164990	20001-	P-UB-14	115 mm	170 mm		HIT-9180582	324.44
	9164990	20001-	Bushing	115 mm			HIT-4370337	79.99
	9164990	20001-	Wear Ring		170 mm		HIT-4370063	95.89
	9164990	20001-	Wear Ring		170 mm		HIT-4370064	48.01
BOOM LH	9164872	20001-	P-UB-14	105 mm	150 mm		HIT-9180581	371.68
	9164872	20001-	Bushing	105 mm			HIT-4383093	56.47
	9164872	20001-	Wear Ring		150 mm		HIT-4194622	21.67
	9164872	20001-	Wear Ring		150 mm		HIT-4171490	76.51
BOOM RH	9164874	20001-	P-UB-14	105 mm	150 mm		HIT-9180581	371.68
	9164874	20001-	Bushing	105 mm			HIT-4383093	56.47
	9164874	20001-	Wear Ring		150 mm		HIT-4194622	21.67
	9164874	20001-	Wear Ring		150 mm		HIT-4171490	76.51
BUCKET	9164997	20001-	P-UB-14	95 mm	145 mm		HIT-9175564	220.35
	9164997	20001-	Bushing	95 mm			HIT-4284535	53.46
	9164997	20001-	Wear Ring		145 mm		HIT-4185249	20.14
	9164997	20001-	Wear Ring		145 mm		HIT-4185247	73.01

Hercules Sealing Products and original equipment Hitachi kits may not include the necessary wear rings for your cylinder rebuild. Kits with an -EX suffix will include these wear rings.

Please ask your sales representative for a cross-reference if no -EX kit or complementary parts are listed.

HITACHI

Replacement Kits For

Excavators									
APPLICATION	CYL #	SERIAL #	CODE	ROD	BORE	Misc	KIT #	List \$	
MODEL EX400, EX400LC, EX400H, EX400LCH									
ARM	4206480	02001-	P-UB-10	130 mm	190 mm		HIT-4236058	464.51	
BOOM LH	4206479	02001-	P-UB-10	115 mm	170 mm		HIT-4236057	429.14	
BOOM RH	4206478	02001-	P-UB-10	115 mm	170 mm		HIT-4236057	429.14	
BUCKET	4206481	02001-	P-UB-10	115 mm	170 mm		HIT-4236057	429.14	
MODEL EX400-3, EX400LC-3, EX400H-3, EX400LCH-3									
ARM	4219778	5001-	P-UB-10	115 mm	170 mm	Load Shovel	HIT-4236057	429.14	
	4219778	5001-	Bushing	115 mm		Load Shovel	HIT-0352704	60.50	
	4219778	5001-	Bushing	115 mm		Load Shovel	HIT-0352708	23.58	
	4219778	5001-	Wear Ring		170 mm	Load Shovel	HIT-0352712	26.68	
	4219778	5001-	Wear Ring		170 mm	Load Shovel	HIT-0259307	95.89	
	4310243	5001-	P-UB-10	130 mm	190 mm		HIT-4438679	418.00	
	4310243	5001-	Bushing	130 mm			HIT-0353004	85.79	
	4310243	5001-	Bushing	130 mm			HIT-0417605	61.71	
	4310243	5001-	Wear Ring		190 mm		HIT-0242512	99.72	
	4310243	5001-	Wear Ring		190 mm		HIT-0420307	51.74	
	BOOM LH	4249749	5162, 5164	P-UB-10	115 mm	170 mm	Load Shovel	HIT-4236057	429.14
		4249749	5162, 5164	Bushing	115 mm		Load Shovel	HIT-0352704	60.50
		4249749	5162, 5164	Bushing	115 mm		Load Shovel	HIT-0352708	23.58
		4249749	5162, 5164	Wear Ring		170 mm	Load Shovel	HIT-0259307	95.89
4249749		5162, 5164	Wear Ring		170 mm	Load Shovel	HIT-0352712	26.68	
4310242		5001-	P-UB-10	115 mm	170 mm		HIT-4438672	494.19	
4310242		5001-	Bushing	115 mm			HIT-0460004	54.02	
4310242		5001-	Bushing	115 mm			HIT-0352704	60.50	
4310242		5001-	Wear Ring		170 mm		HIT-0420109	28.74	
4310242		5001-	Wear Ring		170 mm		HIT-0259307	95.89	
4350424		5001-	P-UB-10	115 mm	170 mm	Load Shovel	HIT-4438672	494.19	
4350424		5001-	Bushing	115 mm		Load Shovel	HIT-0460004	54.02	
4350424		5001-	Bushing	115 mm		Load Shovel	HIT-0352704	60.50	
4350424		5001-	Wear Ring		170 mm	Load Shovel	HIT-0259307	95.89	
4350424	5001-	Wear Ring		170 mm	Load Shovel	HIT-0420109	28.74		
BOOM RH	4249748	5162, 5164	P-UB-10	115 mm	170 mm	Load Shovel	HIT-4236057	429.14	
	4249748	5162, 5164	Bushing	115 mm		Load Shovel	HIT-0352708	23.58	
	4249748	5162, 5164	Bushing	115 mm		Load Shovel	HIT-0352704	60.50	
	4249748	5162, 5164	Wear Ring		170 mm	Load Shovel	HIT-0259307	95.89	
	4249748	5162, 5164	Wear Ring		170 mm	Load Shovel	HIT-0352712	26.68	
	4310241	5001-	P-UB-10	115 mm	170 mm		HIT-4438672	494.19	
	4310241	5001-	Bushing	115 mm			HIT-0352704	60.50	
	4310241	5001-	Bushing	115 mm			HIT-0460004	54.02	
	4310241	5001-	Wear Ring		170 mm		HIT-0420109	28.74	
	4310241	5001-	Wear Ring		170 mm		HIT-0259307	95.89	
	4350423	5001-	P-UB-10	115 mm	170 mm	Load Shovel	HIT-4438672	494.19	
	4350423	5001-	Bushing	115 mm		Load Shovel	HIT-0460004	54.02	
	4350423	5001-	Bushing	115 mm		Load Shovel	HIT-0352704	60.50	
	4350423	5001-	Wear Ring		170 mm	Load Shovel	HIT-0420109	28.74	
4350423	5001-	Wear Ring		170 mm	Load Shovel	HIT-0259307	95.89		
BUCKET	4310244	5001-	P-UB-10	115 mm	170 mm		HIT-4438672	494.19	
	4310244	5001-	Bushing	115 mm			HIT-0352704	60.50	
	4310244	5001-	Bushing	115 mm			HIT-0460004	54.02	
	4310244	5001-	Wear Ring		170 mm		HIT-0420109	28.74	
	4310244	5001-	Wear Ring		170 mm		HIT-0259307	95.89	
	4390024	ALL	P-UB-10	120 mm	170 mm		HIT-4438681	309.46	
	4390024	ALL	Bushing	120 mm			HIT-0450506	58.61	
	4390024	ALL	Bushing	120 mm			HIT-0450508	72.49	
	4390024	ALL	Wear Ring		170 mm		HIT-0420109	28.74	
4390024	ALL	Wear Ring		170 mm		HIT-0259307	95.89		

Hercules Sealing Products and original equipment Hitachi kits may not include the necessary wear rings for your cylinder rebuild. Kits with an -EX suffix will include these wear rings.

Please ask your sales representative for a cross-reference if no -EX kit or complementary parts are listed.

Replacement Kits For

HITACHI

Excavators								
APPLICATION	CYL #	SERIAL #	CODE	ROD	BORE	Misc	KIT #	List \$
MODEL EX400-3, EX400LC-3, EX400H-3, EX400LCH-3								
BUCKET	9138785	5001-	P-UB-14	95 mm	145 mm	Long Arm	HIT-9123265	194.90
	9138785	5001-	Bushing	95 mm		Long Arm	HIT-4284535	53.46
	9138785	5001-	Wear Ring		145 mm	Long Arm	HIT-4185249	20.14
	9138785	5001-	Wear Ring		145 mm	Long Arm	HIT-4185247	73.01
BUCKET LH	4219781	5001-	P-UB-10	115 mm	150 mm	Load Shovel	HIT-4255532	322.69
	4219781	5001-	Bushing	115 mm		Load Shovel	HIT-0352708	23.58
	4219781	5001-	Bushing	115 mm		Load Shovel	HIT-0352704	60.50
	4219781	5001-	Wear Ring		150 mm	Load Shovel	HIT-0387305	24.02
	4219781	5001-	Wear Ring		150 mm	Load Shovel	HIT-0237220	63.71
BUCKET RH	4219780	5001-	P-UB-10	115 mm	150 mm	Load Shovel	HIT-4255532	322.69
	4219780	5001-	Bushing	115 mm		Load Shovel	HIT-0352704	60.50
	4219780	5001-	Bushing	115 mm		Load Shovel	HIT-0352708	23.58
	4219780	5001-	Wear Ring		150 mm	Load Shovel	HIT-0237220	63.71
	4219780	5001-	Wear Ring		150 mm	Load Shovel	HIT-0387305	24.02
DUMP	4219782	5001-	P-UB-10	65 mm	100 mm	Load Shovel	HIT-4255533	133.92
	4219782	5001-	Bushing	65 mm		Load Shovel	HIT-0310604	26.16
	4219782	5001-	Bushing	65 mm		Load Shovel	HIT-0387503	30.93
	4219782	5001-	Wear Ring		100 mm	Load Shovel	HIT-0326005	15.78
	4219782	5001-	Wear Ring		100 mm	Load Shovel	HIT-0254908	81.30
LEVEL	4219779	5001-	P-UB-10	115 mm	170 mm	Load Shovel	HIT-4236057	429.14
	4219779	5001-	Bushing	115 mm		Load Shovel	HIT-0352708	23.58
	4219779	5001-	Bushing	115 mm		Load Shovel	HIT-0352704	60.50
	4219779	5001-	Wear Ring		170 mm	Load Shovel	HIT-0352712	26.68
	4219779	5001-	Wear Ring		170 mm	Load Shovel	HIT-0259307	95.89
LOADING SHOVEL	4344048	5001-	P-U-10	65 mm	130 mm		HIT-4363078	177.61
	4344048	5001-	Bushing	65 mm			HIT-0657704	27.20
	4344048	5001-	Wear Ring		130 mm		HIT-0657706	113.13
MODEL EX400-3C, EX400LC-3C, EX450H-3C, EX450LCH-3C								
ARM	4310243	6001-	P-UB-10	130 mm	190 mm		HIT-4438679	418.00
	4310243	6001-	Bushing	130 mm			HIT-0353004	85.79
	4310243	6001-	Bushing	130 mm			HIT-0417605	61.71
	4310243	6001-	Wear Ring		190 mm		HIT-0242512	99.72
	4310243	6001-	Wear Ring		190 mm		HIT-0420307	51.74
BOOM LH	4310242	6001-	P-UB-10	115 mm	170 mm		HIT-4438672	494.19
	4310242	6001-	Bushing	115 mm			HIT-0352704	60.50
	4310242	6001-	Bushing	115 mm			HIT-0460004	54.02
	4310242	6001-	Wear Ring		170 mm		HIT-0259307	95.89
	4310242	6001-	Wear Ring		170 mm		HIT-0420109	28.74
BOOM RH	4310241	6001-	P-UB-10	115 mm	170 mm		HIT-4438672	494.19
	4310241	6001-	Bushing	115 mm			HIT-0352704	60.50
	4310241	6001-	Bushing	115 mm			HIT-0460004	54.02
	4310241	6001-	Wear Ring		170 mm		HIT-0420109	28.74
	4310241	6001-	Wear Ring		170 mm		HIT-0259307	95.89
BUCKET	4310244	6001-	P-UB-10	115 mm	170 mm		HIT-4438672	494.19
	4310244	6001-	Bushing	115 mm			HIT-0460004	54.02
	4310244	6001-	Bushing	115 mm			HIT-0352704	60.50
	4310244	6001-	Wear Ring		170 mm		HIT-0420109	28.74
	4310244	6001-	Wear Ring		170 mm		HIT-0259307	95.89
	9138785	6001-	P-UB-14	95 mm	145 mm	Long Arm	HIT-9123265	194.90
	9138785	6001-	Bushing	95 mm		Long Arm	HIT-4284535	53.46
	9138785	6001-	Wear Ring		145 mm	Long Arm	HIT-4185247	73.01
	9138785	6001-	Wear Ring		145 mm	Long Arm	HIT-4185249	20.14
	LOADING SHOVEL	4344048	6001-	P-U-10	65 mm	130 mm		HIT-4363078
4344048		6001-	Bushing	65 mm			HIT-0657704	27.20
4344048		6001-	Wear Ring		130 mm		HIT-0657706	113.13

Hercules Sealing Products and original equipment Hitachi kits may not include the necessary wear rings for your cylinder rebuild. Kits with an -EX suffix will include these wear rings.

Please ask your sales representative for a cross-reference if no -EX kit or complementary parts are listed.

HITACHI

Replacement Kits For

HITACHI

Excavators								
APPLICATION	CYL #	SERIAL #	CODE	ROD	BORE	Misc	KIT #	List \$
MODEL EX400-5, EX400LC-5, EX450LC-5, EX450LCH-5								
ARM	4310243	7001-	P-UB-10	130 mm	190 mm		HIT-4438679	418.00
	4310243	7001-	Bushing	130 mm			HIT-0417605	61.71
	4310243	7001-	Bushing	130 mm			HIT-0353004	85.79
	4310243	7001-	Wear Ring		190 mm		HIT-0420307	51.74
	4310243	7001-	Wear Ring		190 mm		HIT-0242512	99.72
BOOM LH	4310242	7001-	P-UB-10	115 mm	170 mm		HIT-4438672	494.19
	4310242	7001-	Bushing	115 mm			HIT-0460004	54.02
	4310242	7001-	Bushing	115 mm			HIT-0352704	60.50
	4310242	7001-	Wear Ring		170 mm		HIT-0259307	95.89
	4310242	7001-	Wear Ring		170 mm		HIT-0420109	28.74
BOOM RH	4310241	7001-	P-UB-10	115 mm	170 mm		HIT-4438672	494.19
	4310241	7001-	Bushing	115 mm			HIT-0460004	54.02
	4310241	7001-	Bushing	115 mm			HIT-0352704	60.50
	4310241	7001-	Wear Ring		170 mm		HIT-0420109	28.74
	4310241	7001-	Wear Ring		170 mm		HIT-0259307	95.89
BUCKET	4310244		P-UB-10	115 mm	170 mm		HIT-4438672	494.19
	4310244		Bushing	115 mm			HIT-0460004	54.02
	4310244		Bushing	115 mm			HIT-0352704	60.50
	4310244		Wear Ring		170 mm		HIT-0420109	28.74
	4310244		Wear Ring		170 mm		HIT-0259307	95.89
	4390024		P-UB-10	120 mm	170 mm		HIT-4438681	309.46
	4390024		Bushing	120 mm			HIT-0450506	58.61
	4390024		Bushing	120 mm			HIT-0450508	72.49
	4390024		Wear Ring		170 mm		HIT-0420109	28.74
	4390024		Wear Ring		170 mm		HIT-0259307	95.89
	9138785	7001-	P-UB-14	95 mm	145 mm	Long Arm	HIT-9123265	194.90
	9138785	7001-	Bushing	95 mm		Long Arm	HIT-4284535	53.46
	9138785	7001-	Wear Ring		145 mm	Long Arm	HIT-4185247	73.01
	9138785	7001-	Wear Ring		145 mm	Long Arm	HIT-4185249	20.14
	LOADING SHOVEL	4344048	7001-	P-U-10	65 mm	130 mm		HIT-4363078
4344048		7001-	Bushing	65 mm			HIT-0657704	27.20
4344048		7001-	Wear Ring		130 mm		HIT-0657706	113.13
MODEL EX700, EX700H								
ARM	4218518	01003-	P-UB-10	150 mm	215 mm		HIT-4254042	558.34
	4253060	6/89-	P-UB-10	150 mm	215 mm		HIT-4266596	558.34
BOOM	4218516	01003-	P-UB-10	140 mm	200 mm		HIT-4254041	486.72
	4218517	01003-	P-UB-10	140 mm	200 mm		HIT-4254041	486.72
BUCKET	4251780	01003-	P-UB-10	130 mm	190 mm		HIT-4256119	459.76
	4253061	6/89-	P-UB-10	150 mm	215 mm		HIT-4266596	558.34
MODEL EX1000								
ARM	4157138	101-	P-UB-10	150 mm	225 mm		HIT-4171991	867.74
	4157138	101-	P-U-10	150 mm	225 mm		HIT-4163898	471.10
BOOM	4157139	101-	P-UB-10	160 mm	240 mm		HIT-4171990	1004.85
	4157139	101-	P-U-10	160 mm	240 mm		HIT-4163899	543.08
BUCKET	4174020	101-	P-UB-10	160 mm	240 mm		HIT-4171990	1004.85
	4193517	101-	P-UB-10	160 mm	240 mm		HIT-4171990	1004.85
DUMP	4157143	101-	P-UB-10	80 mm	140 mm		HIT-4171993	427.06
	4157143	101-	P-U-10	80 mm	140 mm		HIT-4163901	230.69
LEVEL	4157142	101-	P-U-10	160 mm	240 mm		HIT-4163899	543.08
	4157142	101-	P-UB-10	160 mm	240 mm		HIT-4171990	1004.85
TILT	4157140	101-	P-U-10	140 mm	190 mm		HIT-4163900	383.05
	4157140	101-	P-UB-10	140 mm	190 mm		HIT-4171992	594.98
MODEL EX1200-5								
ARM (BACKHOE)	4438244	001002-	P-UB-10	180 mm	260 mm		HIT-4660795	2148.91
ARM (LOADER)	4453176	001002-	P-UB-10	150 mm	215 mm		HIT-4660466	700.40

Hercules Sealing Products and original equipment Hitachi kits may not include the necessary wear rings for your cylinder rebuild. Kits with an -EX suffix will include these wear rings.

Please ask your sales representative for a cross-reference if no -EX kit or complementary parts are listed.

Replacement Kits For

HITACHI

Excavators								
APPLICATION	CYL #	SERIAL #	CODE	ROD	BORE	Misc	KIT #	List \$
MODEL EX1200-5								
BOOM	4489977	001002-	P-UB-10	160 mm	230 mm		HIT-4660647	803.74
BOOM (BACKHOE, LOADER)	4438246	001002-	P-UB-10	160 mm	230 mm		HIT-4660647	803.74
	4459481	001002-	P-UB-10	160 mm	230 mm		HIT-4660647	803.74
BUCKET	4481756	001002-	P-UB-10	140 mm	190 mm		HIT-4438693	407.04
	4481756	001002-	P-UB-10	140 mm	190 mm		HIT-4438693-EX	583.54
	4481756	001002-	Wear Ring		190 mm		HIT-0420307	51.74
	4481756	001002-	Wear Ring		190 mm		HIT-0242512	99.72
BUCKET (BACKHOE)	4438245	001002-	P-UB-10	170 mm	240 mm		HIT-4660664	1531.77
	4454760	001002-	P-UB-10	160 mm	230 mm		HIT-4660653	966.08
	4472605	001002-	P-UB-10	160 mm	230 mm		HIT-4660647	803.74
BUCKET LH (LOADER)	4453177	001002-	P-UB-10	150 mm	200 mm		HIT-4660159	564.49
BUCKET RH (LOADER)	4453178	001002-	P-UB-10	150 mm	200 mm		HIT-4660159	564.49
DUMP (LOADER)	4453179	001002-	P-UB-10	85 mm	140 mm		HIT-4670538	284.24
LEVEL (LOADER)	4453180	001002-	P-UB-10	160 mm	230 mm		HIT-4660647	803.74
MODEL EX1200-6								
ARM	4669228	001001-	P-UB-10	180 mm	260 mm		HIT-4699081	1176.55
ARM (LOADER)	4453176	001001-	P-UB-10	150 mm	215 mm		HIT-4660466	700.40
BOOM	4665310	001001-	P-UB-10	160 mm	230 mm		HIT-4699085	826.09
BUCKET	4438245	001001-	P-UB-10	170 mm	240 mm		HIT-4660664	1531.77
	4685263	001001-	P-UB-10	160 mm	230 mm		HIT-4699758	630.68
	4707195	001001-	P-UB-10	160 mm	230 mm		HIT-4699758	630.68
BUCKET LH (LOADER)	4453177	001001-	P-UB-10	150 mm	200 mm		HIT-4660159	564.49
BUCKET RH (LOADER)	4453178	001001-	P-UB-10	150 mm	200 mm		HIT-4660159	564.49
DUMP (LOADER)	4453179	001001-	P-UB-10	85 mm	140 mm		HIT-4670538	284.24
LEVEL (LOADER)	4453180	001001-	P-UB-10	160 mm	230 mm		HIT-4660647	803.74
MODEL EX1800								
DUMP	4248484		P-UB-10	110 mm	190 mm		HIT-4221872	686.74
MODEL EX3500								
DUMP			P-UB-10	130 mm	225 mm		HIT-4210676	991.95
MODEL UH083, UH083LC								
ARM	4132364	20001-20010	P-UB-5	100 mm	140 mm		HIT-4153205	354.73
	4132364	20051-	P-UB-5	100 mm	140 mm		HIT-4153205	354.73
	4153281	20011-20050	P-UB-10	100 mm	140 mm		HIT-4153211	334.76
BOOM LH	4128103	20001-20010	P-UB-5	85 mm	125 mm		HIT-4153203	421.29
	4153280	20011-20050	P-UB-10	90 mm	130 mm		HIT-4153209	228.49
	4153312	20051-	P-UB-5	85 mm	125 mm		HIT-4153203	421.29
BOOM RH	4128102	20001-20010	P-UB-5	85 mm	125 mm		HIT-4153203	421.29
	4153279	20011-20050	P-UB-10	90 mm	130 mm		HIT-4153209	228.49
	4153311	20051-	P-UB-5	85 mm	125 mm		HIT-4153203	421.29
BUCKET	4128105	20001-20010	P-UB-5	80 mm	125 mm		HIT-4153207	317.37
	4128105	20051-	P-UB-5	80 mm	125 mm		HIT-4153207	317.37
	4153282	20011-20050	P-UB-10	80 mm	125 mm		HIT-4153213	296.31
MODEL UH107								
ARM			P-UB-5	105 mm	150 mm		HIT-4096959	489.41
BOOM			P-UB-5	95 mm	150 mm		HIT-4096957	309.87
BUCKET			P-UB-5	95 mm	150 mm		HIT-4096960	308.15
MODEL UH122, UH122LC								
ARM	3011918	125	P-UB-5	105 mm	150 mm		HIT-4096958	433.14
	3015873	351-605	P-UB-5	105 mm	150 mm		HIT-4096959	489.41
	3019398	835-	P-UB-5	105 mm	150 mm		HIT-4122040	511.15
	3020009	606-834	P-UB-5	105 mm	150 mm		HIT-4117746	491.51
BOOM LH	3010528	125-605	P-UB-5	95 mm	150 mm		HIT-4096957	309.87
	3020012	606-835	P-UB-5	95 mm	150 mm		HIT-4117745	369.30
	3020973	836-	P-UB-5	95 mm	150 mm		HIT-4122039	392.51
BOOM RH	3010527	125-605	P-UB-5	95 mm	150 mm		HIT-4096957	309.87

Hercules Sealing Products and original equipment Hitachi kits may not include the necessary wear rings for your cylinder rebuild.
Kits with an -EX suffix will include these wear rings.

Please ask your sales representative for a cross-reference if no -EX kit or complementary parts are listed.

HITACHI

Replacement Kits For

HITACHI

Excavators								
APPLICATION	CYL #	SERIAL #	CODE	ROD	BORE	Misc	KIT #	List \$
MODEL UH122, UH122LC								
BOOM RH	3020011	606-835	P-UB-5	95 mm	150 mm		HIT-4117745	369.30
	3020972	836-	P-UB-5	95 mm	150 mm		HIT-4122039	392.51
BUCKET	3010530	125-	P-UB-5	95 mm	150 mm		HIT-4096960	308.15
MODEL UH123								
ARM	4170628	3001-	P-UB-10	105 mm	150 mm		HIT-4163569	274.68
BOOM LH	4170627	3001-	P-UB-10	95 mm	150 mm		HIT-4179470	339.63
BOOM RH	4173626	3001-	P-UB-10	95 mm	150 mm		HIT-4179470	339.63
BUCKET	4170629	3001-	P-UB-10	95 mm	150 mm		HIT-4163573	339.08
MODEL UH172								
ARM	3015411	601-	P-UB-5	120 mm	190 mm		HIT-4101392	682.98
BOOM LH	3014038		P-UB-5	110 mm	170 mm		HIT-4094852	649.68
BOOM RH	3013801		P-UB-5	110 mm	170 mm		HIT-4094852	649.68
BUCKET	3014042	001-	P-UB-5	110 mm	170 mm		HIT-4094852	649.68
MODEL UH181								
ARM	3022991	005-009;053-069	P-UB-5	110 mm	170 mm		HIT-4153235	662.92
	3027628	001-165	P-UB-5	120 mm	190 mm		HIT-4162027	750.45
	3031888	166-	P-UB-10	120 mm	190 mm		HIT-4176980	448.06
	4167618	001-004;010-052	P-UB-10	110 mm	170 mm		HIT-4167722	407.05
	4167618	070-	P-UB-10	110 mm	170 mm		HIT-4167722	407.05
BOOM LH	3026175		P-UB-5	110 mm	170 mm		HIT-4162026	703.58
	4167617		P-UB-10	110 mm	170 mm		HIT-4167721	414.93
BOOM RH	3026114		P-UB-5	110 mm	170 mm		HIT-4162026	703.58
	4167616		P-UB-10	110 mm	170 mm		HIT-4167721	414.93
BUCKET	3026115	001-145	P-UB-5	110 mm	170 mm		HIT-4162028	702.32
	3027022	001-	P-UB-5	95 mm	150 mm		HIT-4150681	456.02
	3031889	146-	P-UB-10	110 mm	170 mm		HIT-4167721	414.93
DUMP	3024187	001-	P-UB-5	55 mm	100 mm		HIT-4144635	382.67
LEVEL	3025213	001-	P-UB-5	110 mm	170 mm		HIT-4153237	604.09
TILT	3022992	005-009;053-069	P-UB-5	110 mm	150 mm		HIT-4153236	463.62
	4167620	001-004;010-052;070-	P-UB-10	110 mm	140 mm		HIT-4167724	402.13
MODEL UH501								
ARM	4157138	002-	P-U-10	150 mm	225 mm		HIT-4163898	471.10
BOOM	4157139	002-	P-U-10	160 mm	240 mm		HIT-4163899	543.08
DUMP	4157143	002-	P-U-10	80 mm	140 mm		HIT-4163901	230.69
LEVEL	4157142	002-	P-U-10	160 mm	240 mm		HIT-4163899	543.08
TILT LH	4157141	002-	P-U-10	140 mm	190 mm		HIT-4163900	383.05
TILT RH	4157140	002-	P-U-10	140 mm	190 mm		HIT-4163900	383.05
MODEL ZX35U-3								
ARM	4699449	020001-	P-U-10	45 mm	75 mm		HIT-4704455	82.92
	4699449	020001-	Bushing	45 mm			HIT-0891518	20.75
ARM (ML)	4702249	020001-	P-U-10	45 mm	75 mm		HIT-4704455	82.92
	4702249	020001-	Bushing	45 mm			HIT-0891518	20.75
BLADE	4617784	020001-	P-U-14	45 mm	95 mm		HIT-4622066	186.76
	4617784	020001-	Bushing	45 mm			HIT-0920515	15.43
BOOM (CAB ML)	4627539	020001-	P-U-10	50 mm	85 mm		HIT-4634033	139.05
	4627539	020001-	Bushing	50 mm			HIT-0948703	15.61
BOOM (CAB)	4690142	020001-	P-U-10	50 mm	85 mm		HIT-4634033	139.05
	4690142	020001-	Bushing	50 mm			HIT-0948703	15.61
BOOM (CANOPY ML)	4627538	020001-	P-U-10	50 mm	85 mm		HIT-4634033	139.05
	4627538	020001-	Bushing	50 mm			HIT-0948703	15.61
BOOM (CANOPY)	4690141	020001-	P-U-10	50 mm	85 mm		HIT-4634033	139.05
	4690141	020001-	Bushing	50 mm			HIT-0948703	15.61
BUCKET	4640335	020001-	P-U-10	40 mm	65 mm		HIT-4614058	163.90
	4640335	020001-	Bushing	40 mm			HIT-0892005	11.24

Hercules Sealing Products and original equipment Hitachi kits may not include the necessary wear rings for your cylinder rebuild. Kits with an -EX suffix will include these wear rings.

Please ask your sales representative for a cross-reference if no -EX kit or complementary parts are listed.

Replacement Kits For

HITACHI

Excavators								
APPLICATION	CYL #	SERIAL #	CODE	ROD	BORE	Misc	KIT #	List \$
MODEL ZX35U-3								
BUCKET	4648844	020001-	P-U-10	40 mm	65 mm		HIT-4614058	163.90
	4648844	020001-	Bushing	40 mm			HIT-0892005	11.24
SWING	4608470	020001-	P-U-10	45 mm	85 mm		HIT-4614059	165.02
	4608470	020001-	Bushing	45 mm			HIT-0891605	20.75
MODEL ZX35U-3F								
ARM	4699449	020001-	P-U-10	45 mm	75 mm		HIT-4704455	82.92
	4699449	020001-	Bushing	45 mm			HIT-0891518	20.75
ARM (ML)	4702249	020001-	P-U-10	45 mm	75 mm		HIT-4704455	82.92
	4702249	020001-	Bushing	45 mm			HIT-0891518	20.75
BLADE	4617784	020001-	P-U-14	45 mm	95 mm		HIT-4622066	186.76
	4617784	020001-	Bushing	45 mm			HIT-0920515	15.43
BOOM (CAB ML)	4627539	020001-	P-U-10	50 mm	85 mm		HIT-4634033	139.05
	4627539	020001-	Bushing	50 mm			HIT-0948703	15.61
BOOM (CAB)	4690142	020001-	P-U-10	50 mm	85 mm		HIT-4634033	139.05
	4690142	020001-	Bushing	50 mm			HIT-0948703	15.61
BOOM (CANOPY ML)	4627538	020001-	P-U-10	50 mm	85 mm		HIT-4634033	139.05
	4627538	020001-	Bushing	50 mm			HIT-0948703	15.61
BOOM (CANOPY)	4690141	020001-	P-U-10	50 mm	85 mm		HIT-4634033	139.05
	4690141	020001-	Bushing	50 mm			HIT-0948703	15.61
BUCKET	4640335	020001-	P-U-10	40 mm	65 mm		HIT-4614058	163.90
	4640335	020001-	Bushing	40 mm			HIT-0892005	11.24
	4648844	020001-	P-U-10	40 mm	65 mm		HIT-4614058	163.90
	4648844	020001-	Bushing	40 mm			HIT-0892005	11.24
SWING	4608470	020001-	P-U-10	45 mm	85 mm		HIT-4614059	165.02
	4608470	020001-	Bushing	45 mm			HIT-0891605	20.75
MODEL ZX38U-3								
ARM	4699449	020001-	P-U-10	45 mm	75 mm		HIT-4704455	82.92
	4699449	020001-	Bushing	45 mm			HIT-0891518	20.75
ARM (ML)	4702249	020001-	P-U-10	45 mm	75 mm		HIT-4704455	82.92
	4702249	020001-	Bushing	45 mm			HIT-0891518	20.75
BLADE	4617784	020001-	P-U-14	45 mm	95 mm		HIT-4622066	186.76
	4617784	020001-	Bushing	45 mm			HIT-0920515	15.43
BOOM (CAB ML)	4627539	020001-	P-U-10	50 mm	85 mm		HIT-4634033	139.05
	4627539	020001-	Bushing	50 mm			HIT-0948703	15.61
BOOM (CAB)	4690142	020001-	P-U-10	50 mm	85 mm		HIT-4634033	139.05
	4690142	020001-	Bushing	50 mm			HIT-0948703	15.61
BOOM (CANOPY ML)	4627538	020001-	P-U-10	50 mm	85 mm		HIT-4634033	139.05
	4627538	020001-	Bushing	50 mm			HIT-0948703	15.61
BOOM (CANOPY)	4690141	020001-	P-U-10	50 mm	85 mm		HIT-4634033	139.05
	4690141	020001-	Bushing	50 mm			HIT-0948703	15.61
BUCKET	4640335	020001-	P-U-10	40 mm	65 mm		HIT-4614058	163.90
	4640335	020001-	Bushing	40 mm			HIT-0892005	11.24
	4648844	020001-	P-U-10	40 mm	65 mm		HIT-4614058	163.90
	4648844	020001-	Bushing	40 mm			HIT-0892005	11.24
SWING	4608470	020001-	P-U-10	45 mm	85 mm		HIT-4614059	165.02
	4608470	020001-	Bushing	45 mm			HIT-0891605	20.75
MODEL ZX38U-3F								
ARM	4699449	020001-	P-U-10	45 mm	75 mm		HIT-4704455	82.92
	4699449	020001-	Bushing	45 mm			HIT-0891518	20.75
ARM (ML)	4702249	020001-	P-U-10	45 mm	75 mm		HIT-4704455	82.92
	4702249	020001-	Bushing	45 mm			HIT-0891518	20.75
BLADE	4617784	020001-	P-U-14	45 mm	95 mm		HIT-4622066	186.76
	4617784	020001-	Bushing	45 mm			HIT-0920515	15.43
BOOM (CAB ML)	4627539	020001-	P-U-10	50 mm	85 mm		HIT-4634033	139.05
	4627539	020001-	Bushing	50 mm			HIT-0948703	15.61

Hercules Sealing Products and original equipment Hitachi kits may not include the necessary wear rings for your cylinder rebuild. Kits with an -EX suffix will include these wear rings.

Please ask your sales representative for a cross-reference if no -EX kit or complementary parts are listed.

Replacement Kits For

HITACHI

HITACHI

Excavators									
APPLICATION	CYL #	SERIAL #	CODE	ROD	BORE	Misc	KIT #	List \$	
MODEL ZX38U-3F									
BOOM (CAB)	4690142	020001-	P-U-10	50 mm	85 mm		HIT-4634033	139.05	
	4690142	020001-	Bushing	50 mm			HIT-0948703	15.61	
BOOM (CANOPY ML)	4627538	020001-	P-U-10	50 mm	85 mm		HIT-4634033	139.05	
	4627538	020001-	Bushing	50 mm			HIT-0948703	15.61	
BOOM (CANOPY)	4690141	020001-	P-U-10	50 mm	85 mm		HIT-4634033	139.05	
	4690141	020001-	Bushing	50 mm			HIT-0948703	15.61	
BUCKET	4640335	020001-	P-U-10	40 mm	65 mm		HIT-4614058	163.90	
	4640335	020001-	Bushing	40 mm			HIT-0892005	11.24	
	4648844	020001-	P-U-10	40 mm	65 mm		HIT-4614058	163.90	
	4648844	020001-	Bushing	40 mm			HIT-0892005	11.24	
SWING	4608470	020001-	P-U-10	45 mm	85 mm		HIT-4614059	165.02	
	4608470	020001-	Bushing	45 mm			HIT-0891605	20.75	
MODEL ZX120, ZX120E, ZX130H, ZX130K, ZX130LCN									
ARM	4423852	060001-	P-UB-10	80 mm	115 mm	Mono Boom	HIT-4448396	267.14	
	4423852	060001-	P-UB-10	80 mm	115 mm	Mono Boom	HIT-4448396-EX	365.90	
	4423852	060001-	Bushing	80 mm		Mono Boom	HIT-0309304	37.68	
	4423852	060001-	Wear Ring		115 mm	Mono Boom	HIT-0686405	8.71	
	4423852	060001-	Wear Ring		115 mm	Mono Boom	HIT-0310908	45.42	
	4438210	060001-	P-UB-10	80 mm	115 mm	Mono Boom	HIT-4448396	267.14	
	4438210	060001-	P-UB-10	80 mm	115 mm	Mono Boom	HIT-4448396-EX	365.90	
	4438210	060001-	Bushing	80 mm		Mono Boom	HIT-0309304	37.68	
	4438210	060001-	Wear Ring		115 mm	Mono Boom	HIT-0310908	45.42	
	4438210	060001-	Wear Ring		115 mm	Mono Boom	HIT-0686405	8.71	
	4608256	060001-	P-UB-10	80 mm	115 mm	2P-Boom	HIT-4448396	267.14	
	4608256	060001-	P-UB-10	80 mm	115 mm	2P-Boom	HIT-4448396-EX	365.90	
	4608256	060001-	Bushing	80 mm		2P-Boom	HIT-0309304	37.68	
	4608256	060001-	Wear Ring		115 mm	2P-Boom	HIT-0310908	45.42	
	4608256	060001-	Wear Ring		115 mm	2P-Boom	HIT-0686405	8.71	
	4612138	060001-	P-UB-10	80 mm	115 mm	2P-Boom	HIT-4448396	267.14	
	4612138	060001-	P-UB-10	80 mm	115 mm	2P-Boom	HIT-4448396-EX	365.90	
	4612138	060001-	Bushing	80 mm		2P-Boom	HIT-0309304	37.68	
	4612138	060001-	Wear Ring		115 mm	2P-Boom	HIT-0686405	8.71	
	4612138	060001-	Wear Ring		115 mm	2P-Boom	HIT-0310908	45.42	
	BLADE LH	4432509	060001-	P-UB-10	70 mm	100 mm		HIT-4388027	442.43
	BLADE RH	4432510	060001-	P-UB-10	70 mm	100 mm		HIT-4388027	442.43
	BOOM LH	4428437	060001-	P-UB-10	70 mm	105 mm		HIT-4448395	221.41
4428437		060001-	P-UB-10	70 mm	105 mm		HIT-4448395-EX	480.49	
4428437		060001-	Bushing	70 mm			HIT-0310304	29.53	
4428437		060001-	Wear Ring		105 mm		HIT-0310510	107.26	
4428437		060001-	Wear Ring		105 mm		HIT-0666808	8.53	
4438211		060001-	P-UB-10	70 mm	105 mm		HIT-4448395	221.41	
4438211		060001-	P-UB-10	70 mm	105 mm		HIT-4448395-EX	480.49	
4438211		060001-	Bushing	70 mm			HIT-0310304	29.53	
4438211		060001-	Wear Ring		105 mm		HIT-0666808	8.53	
4438211		060001-	Wear Ring		105 mm		HIT-0310510	107.26	
BOOM RH		4428436	060001-	P-UB-10	70 mm	105 mm		HIT-4448395	221.41
	4428436	060001-	P-UB-10	70 mm	105 mm		HIT-4448395-EX	480.49	
	4428436	060001-	Bushing	70 mm			HIT-0310304	29.53	
	4428436	060001-	Wear Ring		105 mm		HIT-0666808	8.53	
	4428436	060001-	Wear Ring		105 mm		HIT-0310510	107.26	
	4438212	060001-	P-UB-10	70 mm	105 mm		HIT-4448395	221.41	
	4438212	060001-	P-UB-10	70 mm	105 mm		HIT-4448395-EX	480.49	
	4438212	060001-	Bushing	70 mm			HIT-0310304	29.53	
	4438212	060001-	Wear Ring		105 mm		HIT-0666808	8.53	
4438212	060001-	Wear Ring		105 mm		HIT-0310510	107.26		

Hercules Sealing Products and original equipment Hitachi kits may not include the necessary wear rings for your cylinder rebuild. Kits with an -EX suffix will include these wear rings.

Please ask your sales representative for a cross-reference if no -EX kit or complementary parts are listed.

Replacement Kits For

HITACHI

Excavators								
APPLICATION	CYL #	SERIAL #	CODE	ROD	BORE	Misc	KIT #	List \$
MODEL ZX120, ZX120E, ZX130H, ZX130K, ZX130LCN								
BUCKET	4423853	060001-	P-UB-10	70 mm	100 mm		HIT-4448397	212.98
	4423853	060001-	P-UB-10	70 mm	100 mm		HIT-4448397-EX	375.05
	4423853	060001-	Bushing	70 mm			HIT-0310304	29.53
	4423853	060001-	Wear Ring		100 mm		HIT-0686707	8.37
	4423853	060001-	Wear Ring		100 mm		HIT-0254908	81.30
MODEL ZX120-3								
ARM	4678948	080001-	P-UB-10	80 mm	115 mm	MONO BOOM	HIT-4669905	148.30
	4678948	080001-	P-UB-10	80 mm	115 mm	MONO BOOM	HIT-4669905-EX	206.47
	4678948	080001-	Bushing	80 mm		MONO BOOM	HIT-0309304	37.68
	4678948	080001-	Wear Ring		115 mm	MONO BOOM	HIT-0310908	45.42
	4678948	080001-	Wear Ring		115 mm	MONO BOOM	HIT-1102304	8.71
	4682187	080001-	P-UB-10	80 mm	115 mm	2P-BOOM	HIT-4669905	148.30
	4682187	080001-	P-UB-10	80 mm	115 mm	2P-BOOM	HIT-4669905-EX	206.47
	4682187	080001-	Bushing	80 mm		2P-BOOM	HIT-0309304	37.68
	4682187	080001-	Wear Ring		115 mm	2P-BOOM	HIT-0310908	45.42
	4682187	080001-	Wear Ring		115 mm	2P-BOOM	HIT-1102304	8.71
	4682535	080001-	P-UB-10	80 mm	115 mm	MONO BOOM	HIT-4669905	148.30
	4682535	080001-	P-UB-10	80 mm	115 mm	MONO BOOM	HIT-4669905-EX	206.47
	4682535	080001-	Bushing	80 mm		MONO BOOM	HIT-0309304	37.68
	4682535	080001-	Wear Ring		115 mm	MONO BOOM	HIT-0310908	45.42
	4682535	080001-	Wear Ring		115 mm	MONO BOOM	HIT-1102304	8.71
	4682536	080001-	P-UB-10	80 mm	115 mm	2P-BOOM	HIT-4669905	148.30
	4682536	080001-	P-UB-10	80 mm	115 mm	2P-BOOM	HIT-4669905-EX	206.47
	4682536	080001-	Bushing	80 mm		2P-BOOM	HIT-0309304	37.68
	4682536	080001-	Wear Ring		115 mm	2P-BOOM	HIT-1102304	8.71
	4682536	080001-	Wear Ring		115 mm	2P-BOOM	HIT-0310908	45.42
BLADE LH	4432509	080001-	P-UB-10	70 mm	100 mm		HIT-4388027	442.43
	4432509	080001-	Bushing	70 mm			HIT-0643402	12.34
BLADE RH	4432510	080001-	P-UB-10	70 mm	100 mm		HIT-4388027	442.43
	4432510	080001-	Bushing	70 mm			HIT-0643402	12.34
BOOM LH	4642007	080001-	P-UB-10	70 mm	105 mm		HIT-4662895	221.41
	4642007	080001-	P-UB-10	70 mm	105 mm		HIT-4662895-EX	480.49
	4642007	080001-	Bushing	70 mm			HIT-0310304	29.53
	4642007	080001-	Wear Ring		105 mm		HIT-0310510	107.26
	4642007	080001-	Wear Ring		105 mm		HIT-0907801	14.96
	4682801	080001-	P-UB-10	70 mm	105 mm		HIT-4662895	221.41
	4682801	080001-	P-UB-10	70 mm	105 mm		HIT-4662895-EX	480.49
	4682801	080001-	Bushing	70 mm			HIT-0310304	29.53
	4682801	080001-	Wear Ring		105 mm		HIT-0310510	107.26
	4682801	080001-	Wear Ring		105 mm		HIT-0907801	14.96
	4689663	080001-	P-UB-10	70 mm	105 mm	ML CRANE	HIT-4662895	221.41
	4689663	080001-	P-UB-10	70 mm	105 mm	ML CRANE	HIT-4662895-EX	480.49
	4689663	080001-	Bushing	70 mm		ML CRANE	HIT-0310304	29.53
	4689663	080001-	Wear Ring		105 mm	ML CRANE	HIT-0310510	107.26
	4689663	080001-	Wear Ring		105 mm	ML CRANE	HIT-0907801	14.96
	BOOM RH	4642006	080001-	P-UB-10	70 mm	105 mm		HIT-4662895
4642006		080001-	P-UB-10	70 mm	105 mm		HIT-4662895-EX	480.49
4642006		080001-	Bushing	70 mm			HIT-0310304	29.53
4642006		080001-	Wear Ring		105 mm		HIT-0310510	107.26
4642006		080001-	Wear Ring		105 mm		HIT-0907801	14.96
4682800		080001-	P-UB-10	70 mm	105 mm		HIT-4662895	221.41
4682800		080001-	P-UB-10	70 mm	105 mm		HIT-4662895-EX	480.49
4682800		080001-	Bushing	70 mm			HIT-0310304	29.53
4682800		080001-	Wear Ring		105 mm		HIT-0310510	107.26
4682800		080001-	Wear Ring		105 mm		HIT-0907801	14.96

Hercules Sealing Products and original equipment Hitachi kits may not include the necessary wear rings for your cylinder rebuild. Kits with an -EX suffix will include these wear rings.

Please ask your sales representative for a cross-reference if no -EX kit or complementary parts are listed.

HITACHI

Replacement Kits For

HITACHI

Excavators									
APPLICATION	CYL #	SERIAL #	CODE	ROD	BORE	Misc	KIT #	List \$	
MODEL ZX120-3									
BUCKET	4646526	080001-	P-UB-10	70 mm	100 mm		HIT-4663496	122.57	
	4646526	080001-	P-UB-10	70 mm	100 mm		HIT-4663496-EX	233.55	
	4646526	080001-	Bushing	70 mm			HIT-0310304	29.53	
	4646526	080001-	Wear Ring		100 mm		HIT-0254908	81.30	
	4646526	080001-	Wear Ring		100 mm		HIT-1137704	15.78	
POSITIONING	4682188	080001-	P-UB-10	95 mm	140 mm		HIT-4649053	241.69	
	4682188	080001-	P-UB-10	95 mm	140 mm		HIT-4649053-EX	372.02	
	4682188	080001-	Bushing	95 mm			HIT-0309204	45.45	
	4682188	080001-	Wear Ring		140 mm		HIT-0960302	23.83	
	4682188	080001-	Wear Ring		140 mm		HIT-0224108	57.69	
	4682537	080001-	P-UB-10	95 mm	140 mm		HIT-4649053	241.69	
	4682537	080001-	P-UB-10	95 mm	140 mm		HIT-4649053-EX	372.02	
	4682537	080001-	Bushing	95 mm			HIT-0309204	45.45	
	4682537	080001-	Wear Ring		140 mm		HIT-0224108	57.69	
	4682537	080001-	Wear Ring		140 mm		HIT-0960302	23.83	
	MODEL ZX130-3								
	ARM	4678948	080001-	P-UB-10	80 mm	115 mm	MONO BOOM	HIT-4669905	148.30
4678948		080001-	P-UB-10	80 mm	115 mm	MONO BOOM	HIT-4669905-EX	206.47	
4678948		080001-	Bushing	80 mm		MONO BOOM	HIT-0309304	37.68	
4678948		080001-	Wear Ring		115 mm	MONO BOOM	HIT-1102304	8.71	
4678948		080001-	Wear Ring		115 mm	MONO BOOM	HIT-0310908	45.42	
4682187		080001-	P-UB-10	80 mm	115 mm	2P-BOOM	HIT-4669905	148.30	
4682187		080001-	P-UB-10	80 mm	115 mm	2P-BOOM	HIT-4669905-EX	206.47	
4682187		080001-	Bushing	80 mm		2P-BOOM	HIT-0309304	37.68	
4682187		080001-	Wear Ring		115 mm	2P-BOOM	HIT-0310908	45.42	
4682187		080001-	Wear Ring		115 mm	2P-BOOM	HIT-1102304	8.71	
4682535		080001-	P-UB-10	80 mm	115 mm	MONO BOOM	HIT-4669905	148.30	
4682535		080001-	P-UB-10	80 mm	115 mm	MONO BOOM	HIT-4669905-EX	206.47	
4682535		080001-	Bushing	80 mm		MONO BOOM	HIT-0309304	37.68	
4682535		080001-	Wear Ring		115 mm	MONO BOOM	HIT-0310908	45.42	
4682535		080001-	Wear Ring		115 mm	MONO BOOM	HIT-1102304	8.71	
4682536		080001-	P-UB-10	80 mm	115 mm	2P-BOOM	HIT-4669905	148.30	
4682536		080001-	P-UB-10	80 mm	115 mm	2P-BOOM	HIT-4669905-EX	206.47	
4682536		080001-	Bushing	80 mm		2P-BOOM	HIT-0309304	37.68	
4682536		080001-	Wear Ring		115 mm	2P-BOOM	HIT-0310908	45.42	
4682536		080001-	Wear Ring		115 mm	2P-BOOM	HIT-1102304	8.71	
BLADE LH		4432509	080001-	P-UB-10	70 mm	100 mm		HIT-4388027	442.43
		4432509	080001-	Bushing	70 mm			HIT-0643402	12.34
BLADE RH	4432510	080001-	P-UB-10	70 mm	100 mm		HIT-4388027	442.43	
	4432510	080001-	Bushing	70 mm			HIT-0643402	12.34	
BOOM LH	4642007	080001-	P-UB-10	70 mm	105 mm		HIT-4662895	221.41	
	4642007	080001-	P-UB-10	70 mm	105 mm		HIT-4662895-EX	480.49	
	4642007	080001-	Bushing	70 mm			HIT-0310304	29.53	
	4642007	080001-	Wear Ring		105 mm		HIT-0310510	107.26	
	4642007	080001-	Wear Ring		105 mm		HIT-0907801	14.96	
	4682801	080001-	P-UB-10	70 mm	105 mm		HIT-4662895	221.41	
	4682801	080001-	P-UB-10	70 mm	105 mm		HIT-4662895-EX	480.49	
	4682801	080001-	Bushing	70 mm			HIT-0310304	29.53	
	4682801	080001-	Wear Ring		105 mm		HIT-0310510	107.26	
	4682801	080001-	Wear Ring		105 mm		HIT-0907801	14.96	
	4689663	080001-	P-UB-10	70 mm	105 mm	ML CRANE	HIT-4662895	221.41	
	4689663	080001-	P-UB-10	70 mm	105 mm	ML CRANE	HIT-4662895-EX	480.49	
	4689663	080001-	Bushing	70 mm		ML CRANE	HIT-0310304	29.53	
	4689663	080001-	Wear Ring		105 mm	ML CRANE	HIT-0310510	107.26	
	4689663	080001-	Wear Ring		105 mm	ML CRANE	HIT-0907801	14.96	

Hercules Sealing Products and original equipment Hitachi kits may not include the necessary wear rings for your cylinder rebuild. Kits with an -EX suffix will include these wear rings.

Please ask your sales representative for a cross-reference if no -EX kit or complementary parts are listed.

Replacement Kits For

HITACHI

HITACHI

Excavators								
APPLICATION	CYL #	SERIAL #	CODE	ROD	BORE	Misc	KIT #	List \$
MODEL ZX130-3								
BOOM RH	4642006	080001-	P-UB-10	70 mm	105 mm		HIT-4662895	221.41
	4642006	080001-	P-UB-10	70 mm	105 mm		HIT-4662895-EX	480.49
	4642006	080001-	Bushing	70 mm			HIT-0310304	29.53
	4642006	080001-	Wear Ring		105 mm		HIT-0310510	107.26
	4642006	080001-	Wear Ring		105 mm		HIT-0907801	14.96
	4682800	080001-	P-UB-10	70 mm	105 mm		HIT-4662895	221.41
	4682800	080001-	P-UB-10	70 mm	105 mm		HIT-4662895-EX	480.49
	4682800	080001-	Bushing	70 mm			HIT-0310304	29.53
	4682800	080001-	Wear Ring		105 mm		HIT-0310510	107.26
	4682800	080001-	Wear Ring		105 mm		HIT-0907801	14.96
BUCKET	4646526	080001-	P-UB-10	70 mm	100 mm		HIT-4663496	122.57
	4646526	080001-	P-UB-10	70 mm	100 mm		HIT-4663496-EX	233.55
	4646526	080001-	Bushing	70 mm			HIT-0310304	29.53
	4646526	080001-	Wear Ring		100 mm		HIT-0254908	81.30
	4646526	080001-	Wear Ring		100 mm		HIT-1137704	15.78
POSITIONING	4682188	080001-	P-UB-10	95 mm	140 mm		HIT-4649053	241.69
	4682188	080001-	P-UB-10	95 mm	140 mm		HIT-4649053-EX	372.02
	4682188	080001-	Bushing	95 mm			HIT-0309204	45.45
	4682188	080001-	Wear Ring		140 mm		HIT-0960302	23.83
	4682188	080001-	Wear Ring		140 mm		HIT-0224108	57.69
	4682537	080001-	P-UB-10	95 mm	140 mm		HIT-4649053	241.69
	4682537	080001-	P-UB-10	95 mm	140 mm		HIT-4649053-EX	372.02
	4682537	080001-	Bushing	95 mm			HIT-0309204	45.45
	4682537	080001-	Wear Ring		140 mm		HIT-0224108	57.69
	4682537	080001-	Wear Ring		140 mm		HIT-0960302	23.83
MODEL ZX130K-3								
ARM	4678948	080001-	P-UB-10	80 mm	115 mm	MONO BOOM	HIT-4669905	148.30
	4678948	080001-	P-UB-10	80 mm	115 mm	MONO BOOM	HIT-4669905-EX	206.47
	4678948	080001-	Bushing	80 mm		MONO BOOM	HIT-0309304	37.68
	4678948	080001-	Wear Ring		115 mm	MONO BOOM	HIT-1102304	8.71
	4678948	080001-	Wear Ring		115 mm	MONO BOOM	HIT-0310908	45.42
	4682187	080001-	P-UB-10	80 mm	115 mm	2P-BOOM	HIT-4669905	148.30
	4682187	080001-	P-UB-10	80 mm	115 mm	2P-BOOM	HIT-4669905-EX	206.47
	4682187	080001-	Bushing	80 mm		2P-BOOM	HIT-0309304	37.68
	4682187	080001-	Wear Ring		115 mm	2P-BOOM	HIT-0310908	45.42
	4682187	080001-	Wear Ring		115 mm	2P-BOOM	HIT-1102304	8.71
	4682535	080001-	P-UB-10	80 mm	115 mm	MONO BOOM	HIT-4669905	148.30
	4682535	080001-	P-UB-10	80 mm	115 mm	MONO BOOM	HIT-4669905-EX	206.47
	4682535	080001-	Bushing	80 mm		MONO BOOM	HIT-0309304	37.68
	4682535	080001-	Wear Ring		115 mm	MONO BOOM	HIT-0310908	45.42
	4682535	080001-	Wear Ring		115 mm	MONO BOOM	HIT-1102304	8.71
	4682536	080001-	P-UB-10	80 mm	115 mm	2P-BOOM	HIT-4669905	148.30
	4682536	080001-	P-UB-10	80 mm	115 mm	2P-BOOM	HIT-4669905-EX	206.47
	4682536	080001-	Bushing	80 mm		2P-BOOM	HIT-0309304	37.68
	4682536	080001-	Wear Ring		115 mm	2P-BOOM	HIT-0310908	45.42
	4682536	080001-	Wear Ring		115 mm	2P-BOOM	HIT-1102304	8.71
BLADE LH	4432509	080001-	P-UB-10	70 mm	100 mm		HIT-4388027	442.43
	4432509	080001-	Bushing	70 mm			HIT-0643402	12.34
BLADE RH	4432510	080001-	P-UB-10	70 mm	100 mm		HIT-4388027	442.43
	4432510	080001-	Bushing	70 mm			HIT-0643402	12.34
BOOM LH	4642007	080001-	P-UB-10	70 mm	105 mm		HIT-4662895	221.41
	4642007	080001-	P-UB-10	70 mm	105 mm		HIT-4662895-EX	480.49
	4642007	080001-	Bushing	70 mm			HIT-0310304	29.53
	4642007	080001-	Wear Ring		105 mm		HIT-0310510	107.26
	4642007	080001-	Wear Ring		105 mm		HIT-0907801	14.96

Hercules Sealing Products and original equipment Hitachi kits may not include the necessary wear rings for your cylinder rebuild. Kits with an -EX suffix will include these wear rings.

Please ask your sales representative for a cross-reference if no -EX kit or complementary parts are listed.

HITACHI

Replacement Kits For

HITACHI

Excavators									
APPLICATION	CYL #	SERIAL #	CODE	ROD	BORE	Misc	KIT #	List \$	
MODEL ZX130K-3									
BOOM LH	4682801	080001-	P-UB-10	70 mm	105 mm		HIT-4662895	221.41	
	4682801	080001-	P-UB-10	70 mm	105 mm		HIT-4662895-EX	480.49	
	4682801	080001-	Bushing	70 mm			HIT-0310304	29.53	
	4682801	080001-	Wear Ring		105 mm		HIT-0310510	107.26	
	4682801	080001-	Wear Ring		105 mm		HIT-0907801	14.96	
	4689663	080001-	P-UB-10	70 mm	105 mm	ML CRANE	HIT-4662895	221.41	
	4689663	080001-	P-UB-10	70 mm	105 mm	ML CRANE	HIT-4662895-EX	480.49	
	4689663	080001-	Bushing	70 mm		ML CRANE	HIT-0310304	29.53	
	4689663	080001-	Wear Ring		105 mm	ML CRANE	HIT-0310510	107.26	
	4689663	080001-	Wear Ring		105 mm	ML CRANE	HIT-0907801	14.96	
	BOOM RH	4642006	080001-	P-UB-10	70 mm	105 mm		HIT-4662895	221.41
		4642006	080001-	P-UB-10	70 mm	105 mm		HIT-4662895-EX	480.49
		4642006	080001-	Bushing	70 mm			HIT-0310304	29.53
4642006		080001-	Wear Ring		105 mm		HIT-0310510	107.26	
4642006		080001-	Wear Ring		105 mm		HIT-0907801	14.96	
4682800		080001-	P-UB-10	70 mm	105 mm		HIT-4662895	221.41	
4682800		080001-	P-UB-10	70 mm	105 mm		HIT-4662895-EX	480.49	
4682800		080001-	Bushing	70 mm			HIT-0310304	29.53	
4682800		080001-	Wear Ring		105 mm		HIT-0310510	107.26	
4682800		080001-	Wear Ring		105 mm		HIT-0907801	14.96	
BUCKET		4646526	080001-	P-UB-10	70 mm	100 mm		HIT-4663496	122.57
		4646526	080001-	P-UB-10	70 mm	100 mm		HIT-4663496-EX	233.55
		4646526	080001-	Bushing	70 mm			HIT-0310304	29.53
	4646526	080001-	Wear Ring		100 mm		HIT-0254908	81.30	
	4646526	080001-	Wear Ring		100 mm		HIT-1137704	15.78	
POSITIONING	4682188	080001-	P-UB-10	95 mm	140 mm		HIT-4649053	241.69	
	4682188	080001-	P-UB-10	95 mm	140 mm		HIT-4649053-EX	372.02	
	4682188	080001-	Bushing	95 mm			HIT-0309204	45.45	
	4682188	080001-	Wear Ring		140 mm		HIT-0960302	23.83	
	4682188	080001-	Wear Ring		140 mm		HIT-0224108	57.69	
	4682537	080001-	P-UB-10	95 mm	140 mm		HIT-4649053	241.69	
	4682537	080001-	P-UB-10	95 mm	140 mm		HIT-4649053-EX	372.02	
	4682537	080001-	Bushing	95 mm			HIT-0309204	45.45	
	4682537	080001-	Wear Ring		140 mm		HIT-0960302	23.83	
	4682537	080001-	Wear Ring		140 mm		HIT-0224108	57.69	
	MODEL ZX130LCN-3								
ARM	4678948	080001-	P-UB-10	80 mm	115 mm	MONO BOOM	HIT-4669905	148.30	
	4678948	080001-	P-UB-10	80 mm	115 mm	MONO BOOM	HIT-4669905-EX	206.47	
	4678948	080001-	Bushing	80 mm		MONO BOOM	HIT-0309304	37.68	
	4678948	080001-	Wear Ring		115 mm	MONO BOOM	HIT-0310908	45.42	
	4678948	080001-	Wear Ring		115 mm	MONO BOOM	HIT-1102304	8.71	
	4682187	080001-	P-UB-10	80 mm	115 mm	2P-BOOM	HIT-4669905	148.30	
	4682187	080001-	P-UB-10	80 mm	115 mm	2P-BOOM	HIT-4669905-EX	206.47	
	4682187	080001-	Bushing	80 mm		2P-BOOM	HIT-0309304	37.68	
	4682187	080001-	Wear Ring		115 mm	2P-BOOM	HIT-0310908	45.42	
	4682187	080001-	Wear Ring		115 mm	2P-BOOM	HIT-1102304	8.71	
	4682535	080001-	P-UB-10	80 mm	115 mm	MONO BOOM	HIT-4669905	148.30	
	4682535	080001-	P-UB-10	80 mm	115 mm	MONO BOOM	HIT-4669905-EX	206.47	
	4682535	080001-	Bushing	80 mm		MONO BOOM	HIT-0309304	37.68	
	4682535	080001-	Wear Ring		115 mm	MONO BOOM	HIT-0310908	45.42	
	4682535	080001-	Wear Ring		115 mm	MONO BOOM	HIT-1102304	8.71	
	4682536	080001-	P-UB-10	80 mm	115 mm	2P-BOOM	HIT-4669905	148.30	
	4682536	080001-	P-UB-10	80 mm	115 mm	2P-BOOM	HIT-4669905-EX	206.47	
	4682536	080001-	Bushing	80 mm		2P-BOOM	HIT-0309304	37.68	
	4682536	080001-	Wear Ring		115 mm	2P-BOOM	HIT-1102304	8.71	

Hercules Sealing Products and original equipment Hitachi kits may not include the necessary wear rings for your cylinder rebuild. Kits with an -EX suffix will include these wear rings.

Please ask your sales representative for a cross-reference if no -EX kit or complementary parts are listed.

Replacement Kits For

HITACHI

Excavators									
APPLICATION	CYL #	SERIAL #	CODE	ROD	BORE	Misc	KIT #	List \$	
MODEL ZX130LCN-3									
ARM	4682536	080001-	Wear Ring		115 mm	2P-BOOM	HIT-0310908	45.42	
BLADE LH	4432509	080001-	P-UB-10	70 mm	100 mm		HIT-4388027	442.43	
	4432509	080001-	Bushing	70 mm			HIT-0643402	12.34	
BLADE RH	4432510	080001-	P-UB-10	70 mm	100 mm		HIT-4388027	442.43	
	4432510	080001-	Bushing	70 mm			HIT-0643402	12.34	
BOOM LH	4642007	080001-	P-UB-10	70 mm	105 mm		HIT-4662895	221.41	
	4642007	080001-	P-UB-10	70 mm	105 mm		HIT-4662895-EX	480.49	
	4642007	080001-	Bushing	70 mm			HIT-0310304	29.53	
	4642007	080001-	Wear Ring		105 mm		HIT-0310510	107.26	
	4642007	080001-	Wear Ring		105 mm		HIT-0907801	14.96	
	4682801	080001-	P-UB-10	70 mm	105 mm		HIT-4662895	221.41	
	4682801	080001-	P-UB-10	70 mm	105 mm		HIT-4662895-EX	480.49	
	4682801	080001-	Bushing	70 mm			HIT-0310304	29.53	
	4682801	080001-	Wear Ring		105 mm		HIT-0310510	107.26	
	4682801	080001-	Wear Ring		105 mm		HIT-0907801	14.96	
	4689663	080001-	P-UB-10	70 mm	105 mm	ML CRANE	HIT-4662895	221.41	
	4689663	080001-	P-UB-10	70 mm	105 mm	ML CRANE	HIT-4662895-EX	480.49	
	4689663	080001-	Bushing	70 mm		ML CRANE	HIT-0310304	29.53	
	4689663	080001-	Wear Ring		105 mm	ML CRANE	HIT-0310510	107.26	
	4689663	080001-	Wear Ring		105 mm	ML CRANE	HIT-0907801	14.96	
	BOOM RH	4642006	080001-	P-UB-10	70 mm	105 mm		HIT-4662895	221.41
4642006		080001-	P-UB-10	70 mm	105 mm		HIT-4662895-EX	480.49	
4642006		080001-	Bushing	70 mm			HIT-0310304	29.53	
4642006		080001-	Wear Ring		105 mm		HIT-0310510	107.26	
4642006		080001-	Wear Ring		105 mm		HIT-0907801	14.96	
4682800		080001-	P-UB-10	70 mm	105 mm		HIT-4662895	221.41	
4682800		080001-	P-UB-10	70 mm	105 mm		HIT-4662895-EX	480.49	
4682800		080001-	Bushing	70 mm			HIT-0310304	29.53	
4682800		080001-	Wear Ring		105 mm		HIT-0310510	107.26	
4682800		080001-	Wear Ring		105 mm		HIT-0907801	14.96	
BUCKET		4646526	080001-	P-UB-10	70 mm	100 mm		HIT-4663496	122.57
		4646526	080001-	P-UB-10	70 mm	100 mm		HIT-4663496-EX	233.55
	4646526	080001-	Bushing	70 mm			HIT-0310304	29.53	
	4646526	080001-	Wear Ring		100 mm		HIT-0254908	81.30	
POSITIONING	4682188	080001-	P-UB-10	95 mm	140 mm		HIT-4649053	241.69	
	4682188	080001-	P-UB-10	95 mm	140 mm		HIT-4649053-EX	372.02	
	4682188	080001-	Bushing	95 mm			HIT-0309204	45.45	
	4682188	080001-	Wear Ring		140 mm		HIT-0224108	57.69	
	4682188	080001-	Wear Ring		140 mm		HIT-0960302	23.83	
	4682537	080001-	P-UB-10	95 mm	140 mm		HIT-4649053	241.69	
	4682537	080001-	P-UB-10	95 mm	140 mm		HIT-4649053-EX	372.02	
	4682537	080001-	Bushing	95 mm			HIT-0309204	45.45	
	4682537	080001-	Wear Ring		140 mm		HIT-0960302	23.83	
	4682537	080001-	Wear Ring		140 mm		HIT-0224108	57.69	
MODEL ZX135US-3									
ARM	4678948	080001-	P-UB-10	80 mm	115 mm		HIT-4669905	148.30	
	4678948	080001-	P-UB-10	80 mm	115 mm		HIT-4669905-EX	206.47	
	4678948	080001-	Wear Ring		115 mm		HIT-1102304	8.71	
	4682535	080001-	P-UB-10	80 mm	115 mm	With Hose Rupture Valve	HIT-4669905	148.30	
	4682535	080001-	P-UB-10	80 mm	115 mm	With Hose Rupture Valve	HIT-4669905-EX	206.47	
	4682535	080001-	Wear Ring		115 mm	With Hose Rupture Valve	HIT-1102304	8.71	
	4683743	080001-	Wear Ring		115 mm		HIT-0310908	45.42	

Hercules Sealing Products and original equipment Hitachi kits may not include the necessary wear rings for your cylinder rebuild. Kits with an -EX suffix will include these wear rings.

Please ask your sales representative for a cross-reference if no -EX kit or complementary parts are listed.

Replacement Kits For

HITACHI

HITACHI

Excavators									
APPLICATION	CYL #	SERIAL #	CODE	ROD	BORE	Misc	KIT #	List \$	
MODEL ZX135US-3									
ARM	4683743	080001-	Wear Ring		115 mm		HIT-1102304	8.71	
	4683811	080001-	Wear Ring		115 mm		HIT-0310908	45.42	
	4683811	080001-	Wear Ring		115 mm		HIT-1102304	8.71	
BLADE RH	4432509	080001-	P-UB-10	70 mm	100 mm		HIT-4388027	442.43	
	4432510	080001-	P-UB-10	70 mm	100 mm		HIT-4388027	442.43	
BOOM LH	4647563	080001-	P-UB-10	70 mm	105 mm		HIT-4662895	221.41	
	4647563	080001-	P-UB-10	70 mm	105 mm		HIT-4662895-EX	480.49	
	4647563	080001-	Wear Ring		105 mm		HIT-0310510	107.26	
	4647563	080001-	Wear Ring		105 mm		HIT-0907801	14.96	
	4683742	080001-	P-UB-10	70 mm	105 mm		HIT-4662895	221.41	
	4683742	080001-	P-UB-10	70 mm	105 mm		HIT-4662895-EX	480.49	
	4683742	080001-	Wear Ring		105 mm		HIT-0310510	107.26	
	4683742	080001-	Wear Ring		105 mm		HIT-0907801	14.96	
	4683744	080001-	P-UB-10	70 mm	105 mm		HIT-4662895	221.41	
	4683744	080001-	P-UB-10	70 mm	105 mm		HIT-4662895-EX	480.49	
	4683744	080001-	Wear Ring		105 mm		HIT-0310510	107.26	
	4683744	080001-	Wear Ring		105 mm		HIT-0907801	14.96	
	4683791	080001-	P-UB-10	70 mm	105 mm		HIT-4662895	221.41	
	4683791	080001-	P-UB-10	70 mm	105 mm		HIT-4662895-EX	480.49	
	4683791	080001-	Wear Ring		105 mm		HIT-0310510	107.26	
	4683791	080001-	Wear Ring		105 mm		HIT-0907801	14.96	
	4689665	080001-	P-UB-10	70 mm	105 mm		HIT-4662895	221.41	
	4689665	080001-	P-UB-10	70 mm	105 mm		HIT-4662895-EX	480.49	
	4689665	080001-	Wear Ring		105 mm		HIT-0310510	107.26	
	4689665	080001-	Wear Ring		105 mm		HIT-0907801	14.96	
	BOOM RH	4647564	080001-	P-UB-10	70 mm	105 mm		HIT-4662895	221.41
		4647564	080001-	P-UB-10	70 mm	105 mm		HIT-4662895-EX	480.49
		4647564	080001-	Wear Ring		105 mm		HIT-0310510	107.26
4647564		080001-	Wear Ring		105 mm		HIT-0907801	14.96	
4683741		080001-	P-UB-10	70 mm	105 mm		HIT-4662895	221.41	
4683741		080001-	P-UB-10	70 mm	105 mm		HIT-4662895-EX	480.49	
4683741		080001-	Wear Ring		105 mm		HIT-0310510	107.26	
4683741		080001-	Wear Ring		105 mm		HIT-0907801	14.96	
4683745		080001-	P-UB-10	70 mm	105 mm		HIT-4662895	221.41	
4683745		080001-	P-UB-10	70 mm	105 mm		HIT-4662895-EX	480.49	
4683745		080001-	Wear Ring		105 mm		HIT-0310510	107.26	
4683745		080001-	Wear Ring		105 mm		HIT-0907801	14.96	
4683792		080001-	P-UB-10	70 mm	105 mm		HIT-4662895	221.41	
4683792		080001-	P-UB-10	70 mm	105 mm		HIT-4662895-EX	480.49	
4683792		080001-	Wear Ring		105 mm		HIT-0310510	107.26	
4683792		080001-	Wear Ring		105 mm		HIT-0907801	14.96	
BUCKET		4646526	080001-	P-UB-10	70 mm	100 mm		HIT-4663496	122.57
		4646526	080001-	P-UB-10	70 mm	100 mm		HIT-4663496-EX	233.55
		4646526	080001-	Wear Ring		100 mm		HIT-0254908	81.30
		4646526	080001-	Wear Ring		100 mm		HIT-1137704	15.78
		4683746	080001-	P-UB-10	65 mm	95 mm	Offset Boom	HIT-4662894	106.25
		4683746	080001-	P-UB-10	65 mm	95 mm	Offset Boom	HIT-4662894-EX	199.92
		4683746	080001-	Wear Ring		95 mm	Offset Boom	HIT-0310610	42.35
	4683746	080001-	Wear Ring		95 mm	Offset Boom	HIT-1183502	8.01	
	MODEL ZX135US-5								
ARM	9323697	100001-	P-UB-10	80 mm	115 mm		HIT-FYA00012900	236.34	
	9323697	100001-	Bushing	80 mm			HIT-FXB00002113	37.68	
BLADE LH	9187647	100001-	P-UB-10	70 mm	100 mm		HIT-4388027	442.43	
	9187647	100001-	Bushing	70 mm			HIT-0643402	12.34	
BLADE RH	9187648	100001-	P-UB-10	70 mm	100 mm		HIT-4388027	442.43	

Hercules Sealing Products and original equipment Hitachi kits may not include the necessary wear rings for your cylinder rebuild. Kits with an -EX suffix will include these wear rings.

Please ask your sales representative for a cross-reference if no -EX kit or complementary parts are listed.

Replacement Kits For

HITACHI

Excavators									
APPLICATION	CYL #	SERIAL #	CODE	ROD	BORE	Misc	KIT #	List \$	
MODEL ZX135US-5									
BLADE RH	9187648	100001-	Bushing	70 mm			HIT-0643402	12.34	
BOOM LH	9323700	100001-	P-UB-10	70 mm	105 mm		HIT-FYA00012899	258.31	
	9323700	100001-	Bushing	70 mm			HIT-FXB00002262	12.34	
BOOM RH	9323699	100001-	P-UB-10	70 mm	105 mm		HIT-FYA00012899	258.31	
	9323699	100001-	Bushing	70 mm			HIT-FXB00002262	12.34	
BUCKET	9323698	100001-	P-UB-10	70 mm	100 mm		HIT-FYA00012901	300.64	
	9323698	100001-	Bushing	70 mm			HIT-FXB00002262	12.34	
MODEL ZX135USK-3									
ARM	4678948	080001-	P-UB-10	80 mm	115 mm		HIT-4669905	148.30	
	4678948	080001-	P-UB-10	80 mm	115 mm		HIT-4669905-EX	206.47	
	4678948	080001-	Wear Ring		115 mm		HIT-1102304	8.71	
	4682535	080001-	P-UB-10	80 mm	115 mm	With Hose Rupture Valve	HIT-4669905	148.30	
	4682535	080001-	P-UB-10	80 mm	115 mm	With Hose Rupture Valve	HIT-4669905-EX	206.47	
	4682535	080001-	Wear Ring		115 mm	With Hose Rupture Valve	HIT-1102304	8.71	
	4683743	080001-	Wear Ring		115 mm		HIT-0310908	45.42	
	4683743	080001-	Wear Ring		115 mm		HIT-1102304	8.71	
	4683811	080001-	Wear Ring		115 mm		HIT-0310908	45.42	
	4683811	080001-	Wear Ring		115 mm		HIT-1102304	8.71	
	BLADE RH	4432509	080001-	P-UB-10	70 mm	100 mm		HIT-4388027	442.43
		4432510	080001-	P-UB-10	70 mm	100 mm		HIT-4388027	442.43
	BOOM LH	4647563	080001-	P-UB-10	70 mm	105 mm		HIT-4662895	221.41
4647563		080001-	P-UB-10	70 mm	105 mm		HIT-4662895-EX	480.49	
4647563		080001-	Wear Ring		105 mm		HIT-0310510	107.26	
4647563		080001-	Wear Ring		105 mm		HIT-0907801	14.96	
4683742		080001-	P-UB-10	70 mm	105 mm		HIT-4662895	221.41	
4683742		080001-	P-UB-10	70 mm	105 mm		HIT-4662895-EX	480.49	
4683742		080001-	Wear Ring		105 mm		HIT-0310510	107.26	
4683742		080001-	Wear Ring		105 mm		HIT-0907801	14.96	
4683744		080001-	P-UB-10	70 mm	105 mm		HIT-4662895	221.41	
4683744		080001-	P-UB-10	70 mm	105 mm		HIT-4662895-EX	480.49	
4683744		080001-	Wear Ring		105 mm		HIT-0310510	107.26	
4683744		080001-	Wear Ring		105 mm		HIT-0907801	14.96	
4683791		080001-	P-UB-10	70 mm	105 mm		HIT-4662895	221.41	
4683791		080001-	P-UB-10	70 mm	105 mm		HIT-4662895-EX	480.49	
4683791		080001-	Wear Ring		105 mm		HIT-0310510	107.26	
4683791		080001-	Wear Ring		105 mm		HIT-0907801	14.96	
4689665		080001-	P-UB-10	70 mm	105 mm		HIT-4662895	221.41	
4689665		080001-	P-UB-10	70 mm	105 mm		HIT-4662895-EX	480.49	
4689665		080001-	Wear Ring		105 mm		HIT-0310510	107.26	
4689665		080001-	Wear Ring		105 mm		HIT-0907801	14.96	
BOOM RH	4647564	080001-	P-UB-10	70 mm	105 mm		HIT-4662895	221.41	
	4647564	080001-	P-UB-10	70 mm	105 mm		HIT-4662895-EX	480.49	
	4647564	080001-	Wear Ring		105 mm		HIT-0310510	107.26	
	4647564	080001-	Wear Ring		105 mm		HIT-0907801	14.96	
	4683741	080001-	P-UB-10	70 mm	105 mm		HIT-4662895	221.41	
	4683741	080001-	P-UB-10	70 mm	105 mm		HIT-4662895-EX	480.49	
	4683741	080001-	Wear Ring		105 mm		HIT-0310510	107.26	
	4683741	080001-	Wear Ring		105 mm		HIT-0907801	14.96	
	4683745	080001-	P-UB-10	70 mm	105 mm		HIT-4662895	221.41	
	4683745	080001-	P-UB-10	70 mm	105 mm		HIT-4662895-EX	480.49	
	4683745	080001-	Wear Ring		105 mm		HIT-0310510	107.26	
	4683745	080001-	Wear Ring		105 mm		HIT-0907801	14.96	
	4683792	080001-	P-UB-10	70 mm	105 mm		HIT-4662895	221.41	

Hercules Sealing Products and original equipment Hitachi kits may not include the necessary wear rings for your cylinder rebuild. Kits with an -EX suffix will include these wear rings.

Please ask your sales representative for a cross-reference if no -EX kit or complementary parts are listed.

Replacement Kits For

HITACHI

HITACHI

Excavators									
APPLICATION	CYL #	SERIAL #	CODE	ROD	BORE	Misc	KIT #	List \$	
MODEL ZX135USK-3									
BOOM RH	4683792	080001-	P-UB-10	70 mm	105 mm		HIT-4662895-EX	480.49	
	4683792	080001-	Wear Ring		105 mm		HIT-0310510	107.26	
	4683792	080001-	Wear Ring		105 mm		HIT-0907801	14.96	
BUCKET	4646526	080001-	P-UB-10	70 mm	100 mm		HIT-4663496	122.57	
	4646526	080001-	P-UB-10	70 mm	100 mm		HIT-4663496-EX	233.55	
	4646526	080001-	Wear Ring		100 mm		HIT-0254908	81.30	
	4646526	080001-	Wear Ring		100 mm		HIT-1137704	15.78	
	4683746	080001-	P-UB-10	65 mm	95 mm	Offset Boom	HIT-4662894	106.25	
	4683746	080001-	P-UB-10	65 mm	95 mm	Offset Boom	HIT-4662894-EX	199.92	
	4683746	080001-	Wear Ring		95 mm	Offset Boom	HIT-0310610	42.35	
	4683746	080001-	Wear Ring		95 mm	Offset Boom	HIT-1183502	8.01	
MODEL ZX160LC									
ARM	4448533	005001-	P-UB-10	90 mm	120 mm	Mono Boom	HIT-4467380	316.01	
	4448533	005001-	Bushing	90 mm		Mono Boom	HIT-0325904	40.34	
	4448533	005001-	Wear Ring		120 mm	Mono Boom	HIT-0261308	52.73	
	4448533	005001-	Wear Ring		120 mm	Mono Boom	HIT-0667206	8.89	
	4458882	005001-	P-UB-10	90 mm	120 mm	Mono Boom	HIT-4467380	316.01	
	4458882	005001-	Bushing	90 mm		Mono Boom	HIT-0325904	40.34	
	4458882	005001-	Wear Ring		120 mm	Mono Boom	HIT-0261308	52.73	
	4458882	005001-	Wear Ring		120 mm	Mono Boom	HIT-0667206	8.89	
	4474565	005001-	P-UB-10	90 mm	120 mm	2P-Boom	HIT-4467380	316.01	
	4474565	005001-	Bushing	90 mm		2P-Boom	HIT-0325904	40.34	
	4474565	005001-	Wear Ring		120 mm	2P-Boom	HIT-0261308	52.73	
	4474565	005001-	Wear Ring		120 mm	2P-Boom	HIT-0667206	8.89	
	4485923	005001-	P-UB-10	90 mm	120 mm	2P-Boom	HIT-4467380	316.01	
	4485923	005001-	Bushing	90 mm		2P-Boom	HIT-0325904	40.34	
	4485923	005001-	Wear Ring		120 mm	2P-Boom	HIT-0261308	52.73	
	4485923	005001-	Wear Ring		120 mm	2P-Boom	HIT-0667206	8.89	
	BOOM LH	4448532	005001-	P-UB-10	80 mm	110 mm		HIT-4467379	291.73
		4448532	005001-	Bushing	80 mm			HIT-0309304	37.68
		4448532	005001-	Wear Ring		110 mm		HIT-0298907	88.77
		4448532	005001-	Wear Ring		110 mm		HIT-0667008	8.71
4458884		005001-	P-UB-10	80 mm	110 mm	Mono Boom	HIT-4467379	291.73	
4458884		005001-	Bushing	80 mm		Mono Boom	HIT-0309304	37.68	
4458884		005001-	Wear Ring		110 mm	Mono Boom	HIT-0667008	8.71	
4458884		005001-	Wear Ring		110 mm	Mono Boom	HIT-0298907	88.77	
4607550		005001-	P-UB-10	80 mm	110 mm	2P-Boom	HIT-4467379	291.73	
4607550		005001-	Bushing	80 mm		2P-Boom	HIT-0309304	37.68	
4607550		005001-	Wear Ring		110 mm	2P-Boom	HIT-0298907	88.77	
4607550		005001-	Wear Ring		110 mm	2P-Boom	HIT-0667008	8.71	
BOOM RH		4448531	005001-	P-UB-10	80 mm	110 mm		HIT-4467379	291.73
		4448531	005001-	Bushing	80 mm			HIT-0309304	37.68
	4448531	005001-	Wear Ring		110 mm		HIT-0298907	88.77	
	4448531	005001-	Wear Ring		110 mm		HIT-0667008	8.71	
	4458883	005001-	P-UB-10	80 mm	110 mm	Mono Boom	HIT-4467379	291.73	
	4458883	005001-	Bushing	80 mm		Mono Boom	HIT-0309304	37.68	
	4458883	005001-	Wear Ring		110 mm	Mono Boom	HIT-0667008	8.71	
	4458883	005001-	Wear Ring		110 mm	Mono Boom	HIT-0298907	88.77	
	4607549	005001-	P-UB-10	80 mm	110 mm	2P-Boom	HIT-4467379	291.73	
	4607549	005001-	Bushing	80 mm		2P-Boom	HIT-0309304	37.68	
	4607549	005001-	Wear Ring		110 mm	2P-Boom	HIT-0298907	88.77	
	BUCKET	4448534	005001-	P-UB-10	75 mm	105 mm		HIT-4467381	217.52
		4448534	005001-	Bushing	75 mm			HIT-0310504	32.68
		4448534	005001-	Wear Ring		105 mm		HIT-0310510	107.26

Hercules Sealing Products and original equipment Hitachi kits may not include the necessary wear rings for your cylinder rebuild. Kits with an -EX suffix will include these wear rings.

Please ask your sales representative for a cross-reference if no -EX kit or complementary parts are listed.

Excavators								
APPLICATION	CYL #	SERIAL #	CODE	ROD	BORE	Misc	KIT #	List \$
MODEL ZX160LC-3								
ARM	4645315	010001-	P-UB-10	90 mm	120 mm		HIT-4662888	316.01
	4645315	010001-	P-UB-10	90 mm	120 mm		HIT-4662888-EX	376.24
	4645315	010001-	Wear Ring		120 mm		HIT-0261308	52.73
	4645315	010001-	Wear Ring		120 mm		HIT-H227906	8.89
	4653229	010001-	P-UB-10	90 mm	120 mm	2P-Boom	HIT-4662888	316.01
	4653229	010001-	P-UB-10	90 mm	120 mm	2P-Boom	HIT-4662888-EX	376.24
	4653229	010001-	Wear Ring		120 mm	2P-Boom	HIT-0261308	52.73
	4653229	010001-	Wear Ring		120 mm	2P-Boom	HIT-H227906	8.89
	4661832	010001-	P-UB-10	90 mm	120 mm	With Hose Rupture Valve	HIT-4662888	316.01
	4661832	010001-	P-UB-10	90 mm	120 mm	With Hose Rupture Valve	HIT-4662888-EX	376.24
	4661832	010001-	Wear Ring		120 mm	With Hose Rupture Valve	HIT-0261308	52.73
	4661832	010001-	Wear Ring		120 mm	With Hose Rupture Valve	HIT-H227906	8.89
	4663379	010001-	P-UB-10	90 mm	120 mm	2P-Boom w/ Hose Rupture Valve	HIT-4662888	316.01
	4663379	010001-	P-UB-10	90 mm	120 mm	2P-Boom w/ Hose Rupture Valve	HIT-4662888-EX	376.24
	4663379	010001-	Wear Ring		120 mm	2P-Boom w/ Hose Rupture Valve	HIT-0261308	52.73
4663379	010001-	Wear Ring		120 mm	2P-Boom w/ Hose Rupture Valve	HIT-H227906	8.89	
BOOM LH	4645314	010001-		80 mm	110 mm		HIT-4662891	268.44
	4645314	010001-		80 mm	110 mm		HIT-4662891-EX	351.31
	4645314	010001-	Wear Ring		110 mm		HIT-0298907	88.77
	4645314	010001-	Wear Ring		110 mm		HIT-1119106	8.71
	4661831	010001-		80 mm	110 mm		HIT-4662891	268.44
	4661831	010001-		80 mm	110 mm		HIT-4662891-EX	351.31
	4661831	010001-	Wear Ring		110 mm		HIT-0298907	88.77
BOOM RH	4645310	010001-		80 mm	110 mm		HIT-4662891	268.44
	4645310	010001-		80 mm	110 mm		HIT-4662891-EX	351.31
	4645310	010001-	Wear Ring		110 mm		HIT-0298907	88.77
	4645310	010001-	Wear Ring		110 mm		HIT-1119106	8.71
	4661830	010001-		80 mm	110 mm		HIT-4662891	268.44
	4661830	010001-		80 mm	110 mm		HIT-4662891-EX	351.31
	4661830	010001-	Wear Ring		110 mm		HIT-0298907	88.77
BUCKET POSITIONING	4645316	010001-	P-UB-10	75 mm	105 mm		HIT-4663493	217.52
	4659610	010001-	P-UB-10	95 mm	140 mm		HIT-4649053	241.69
	4661833	010001-	P-UB-10	95 mm	140 mm		HIT-4649053	241.69
MODEL ZX160LC-5								
ARM	9257020H	-230046		90 mm	120 mm		HIT-4657449	316.01
	9257020H	-230046		90 mm	120 mm		HIT-4657449-EX	376.24
	9257020H	-230046	Bushing	90 mm			HIT-AT264321	40.34
	9257020H	-230046	Wear Ring		120 mm		HIT-H227906	8.89
	9257020H	-230046	Wear Ring		120 mm		HIT-AT264356	32.31
	9323703	230047-	P-UB-10	90 mm	120 mm		HIT-FYA00012903	454.89
	9323703	230047-	Bushing	90 mm			HIT-FXB00002051	44.23
BOOM LH	9257019H	-230045		80 mm	110 mm		HIT-4662891	268.44
	9257019H	-230045		80 mm	110 mm		HIT-4662891-EX	351.31

Hercules Sealing Products and original equipment Hitachi kits may not include the necessary wear rings for your cylinder rebuild. Kits with an -EX suffix will include these wear rings.

Please ask your sales representative for a cross-reference if no -EX kit or complementary parts are listed.

HITACHI

Replacement Kits For

HITACHI

Excavators									
APPLICATION	CYL #	SERIAL #	CODE	ROD	BORE	Misc	KIT #	List \$	
MODEL ZX160LC-5									
BOOM LH	9257019H	-230045	Bushing	80 mm			HIT-AT264314	37.68	
	9257019H	-230045	Wear Ring		110 mm		HIT-1119106	8.71	
	9257019H	-230045	Wear Ring		110 mm		HIT-4S00156	88.77	
	9323702	230046-	P-UB-10	80 mm	110 mm		HIT-FYA00012902	347.85	
	9323702	230046-	Bushing	80 mm			HIT-FXB00002113	37.68	
BOOM RH	9257018H	-230045		80 mm	110 mm		HIT-4662891	268.44	
	9257018H	-230045		80 mm	110 mm		HIT-4662891-EX	351.31	
	9257018H	-230045	Bushing	80 mm			HIT-AT264314	37.68	
	9257018H	-230045	Wear Ring		110 mm		HIT-4S00156	88.77	
	9257018H	-230045	Wear Ring		110 mm		HIT-1119106	8.71	
	9323701	230046-	P-UB-10	80 mm	110 mm		HIT-FYA00012902	347.85	
	9323701	230046-	Bushing	80 mm			HIT-FXB00002113	37.68	
	BUCKET	9257021H	-230056	P-UB-10	75 mm	105 mm		HIT-4663493	217.52
		9257021H	-230056		75 mm	105 mm		HIT-4663493-EX	272.16
9257021H		-230056	Bushing	75 mm			HIT-TH109311	32.68	
9257021H		-230056	Wear Ring		105 mm		HIT-0907801	14.96	
9257021H		-230056	Wear Ring		105 mm		HIT-AT264388	26.54	
9323704		230057-	P-UB-10	75 mm	105 mm		HIT-FYA00012904	331.22	
9323704		230057-	Bushing	75 mm			HIT-FXB00002087	32.68	
MODEL ZX160LC-6									
ARM	9323703H		P-UB-10	90 mm	120 mm		HIT-FYA00012903	454.89	
BOOM (LH)	9323702H		P-UB-10	80 mm	110 mm		HIT-FYA00012902	347.85	
BOOM (RH)	9323701H		P-UB-10	80 mm	110 mm		HIT-FYA00012902	347.85	
BUCKET	9323704H		P-UB-10	75 mm	105 mm		HIT-FYA00012904	331.22	
THUMB	AT383236		I-UB-14	2-1/2	4		HIT-AT383237	547.34	
TRACK ADJUSTER	9243238R						HIT-SK100100	68.82	
MODEL ZX200, ZX200LC, ZX210, ZX210LC, ZX210LCH, ZX210K, ZX210LCK, ZX210N, ZX240									
ARM	4316930	100001-	P-UB-10	95 mm	130 mm	River Maint	HIT-4364916	343.22	
	4316930	100001-	P-UB-10	95 mm	130 mm	River Maint	HIT-4364916-EX	463.84	
	4316930	100001-	Bushing	95 mm		River Maint	HIT-0309204	45.45	
	4316930	100001-	Wear Ring		130 mm	River Maint	HIT-0254309	55.92	
	4316930	100001-	Wear Ring		130 mm	River Maint	HIT-0667409	9.15	
	4385638	100001-103568	P-UB-10	95 mm	135 mm	Mono Boom	HIT-4448399	294.78	
	4385638	100001-103568	P-UB-10	95 mm	135 mm	Mono Boom	HIT-4448399-EX	418.87	
	4385638	100001-103568	Bushing	95 mm		Mono Boom	HIT-0309204	45.45	
	4385638	100001-103568	Wear Ring		135 mm	Mono Boom	HIT-0789110	9.15	
	4385638	100001-103568	Wear Ring		135 mm	Mono Boom	HIT-0309212	56.97	
	4438207	100001-	P-UB-10	95 mm	135 mm	Mono Boom	HIT-4448399	294.78	
	4438207	100001-	P-UB-10	95 mm	135 mm	Mono Boom	HIT-4448399-EX	418.87	
	4438207	100001-	Bushing	95 mm		Mono Boom	HIT-0309204	45.45	
	4438207	100001-	Wear Ring		135 mm	Mono Boom	HIT-0309212	56.97	
	4438207	100001-	Wear Ring		135 mm	Mono Boom	HIT-0789110	9.15	
	4470801	103569-	P-UB-10	100 mm	135 mm		HIT-4477841	389.29	
	4470801	103569-	P-UB-10	100 mm	135 mm		HIT-4477841-EX	513.38	
	4470801	103569-	Bushing	100 mm			HIT-0836104	62.28	
	4470801	103569-	Wear Ring		135 mm		HIT-0789110	9.15	
	4470801	103569-	Wear Ring		135 mm		HIT-0309212	56.97	
	4474568	100001-	P-UB-10	95 mm	135 mm	2P-Boom	HIT-4448399	294.78	
	4474568	100001-	P-UB-10	95 mm	135 mm	2P-Boom	HIT-4448399-EX	418.87	
	4474568	100001-	Bushing	95 mm		2P-Boom	HIT-0309204	45.45	
	4474568	100001-	Wear Ring		135 mm	2P-Boom	HIT-0789110	9.15	
	4474568	100001-	Wear Ring		135 mm	2P-Boom	HIT-0309212	56.97	
	4485921	100001-	P-UB-10	95 mm	135 mm	2P-Boom	HIT-4448399	294.78	
	4485921	100001-	P-UB-10	95 mm	135 mm	2P-Boom	HIT-4448399-EX	418.87	
	4485921	100001-	Bushing	95 mm		2P-Boom	HIT-0309204	45.45	

Hercules Sealing Products and original equipment Hitachi kits may not include the necessary wear rings for your cylinder rebuild. Kits with an -EX suffix will include these wear rings.

Please ask your sales representative for a cross-reference if no -EX kit or complementary parts are listed.

Replacement Kits For

HITACHI

Excavators								
APPLICATION	CYL #	SERIAL #	CODE	ROD	BORE	Misc	KIT #	List \$
MODEL ZX200, ZX200LC, ZX210, ZX210LC, ZX210LCH, ZX210K, ZX210LCK, ZX210N, ZX240								
ARM	4485921	100001-	Wear Ring		135 mm	2P-Boom	HIT-0309212	56.97
	4485921	100001-	Wear Ring		135 mm	2P-Boom	HIT-0789110	9.15
BOOM LH	4410247	100001-	P-UB-10	85 mm	120 mm		HIT-4448398	234.11
	4410247	100001-	P-UB-10	85 mm	120 mm		HIT-4448398-EX	361.31
	4410247	100001-	Bushing	85 mm			HIT-0309004	41.83
	4410247	100001-	Wear Ring		120 mm		HIT-0261308	52.73
	4410247	100001-	Wear Ring		120 mm		HIT-0667206	8.89
	4438208	100001-	P-UB-10	85 mm	120 mm	Mono Boom	HIT-4448398	234.11
	4438208	100001-	P-UB-10	85 mm	120 mm	Mono Boom	HIT-4448398-EX	361.31
	4438208	100001-	Bushing	85 mm		Mono Boom	HIT-0309004	41.83
	4438208	100001-	Wear Ring		120 mm	Mono Boom	HIT-0261308	52.73
	4438208	100001-	Wear Ring		120 mm	Mono Boom	HIT-0667206	8.89
	4607535	100001-	P-UB-10	85 mm	120 mm	2P-Boom	HIT-4448398	234.11
	4607535	100001-	P-UB-10	85 mm	120 mm	2P-Boom	HIT-4448398-EX	361.31
	4607535	100001-	Bushing	85 mm		2P-Boom	HIT-0309004	41.83
	4607535	100001-	Wear Ring		120 mm	2P-Boom	HIT-0667206	8.89
	4607535	100001-	Wear Ring		120 mm	2P-Boom	HIT-0261308	52.73
	BOOM RH	4410244	100001-	P-UB-10	85 mm	120 mm		HIT-4448398
4410244		100001-	P-UB-10	85 mm	120 mm		HIT-4448398-EX	361.31
4410244		100001-	Bushing	85 mm			HIT-0309004	41.83
4410244		100001-	Wear Ring		120 mm		HIT-0667206	8.89
4410244		100001-	Wear Ring		120 mm		HIT-0261308	52.73
4438209		100001-	P-UB-10	85 mm	120 mm	Mono Boom	HIT-4448398	234.11
4438209		100001-	P-UB-10	85 mm	120 mm	Mono Boom	HIT-4448398-EX	361.31
4438209		100001-	Bushing	85 mm		Mono Boom	HIT-0309004	41.83
4438209		100001-	Wear Ring		120 mm	Mono Boom	HIT-0261308	52.73
4438209		100001-	Wear Ring		120 mm	Mono Boom	HIT-0667206	8.89
4607534		100001-	P-UB-10	85 mm	120 mm	2P-Boom	HIT-4448398	234.11
4607534		100001-	P-UB-10	85 mm	120 mm	2P-Boom	HIT-4448398-EX	361.31
4607534		100001-	Bushing	85 mm		2P-Boom	HIT-0309004	41.83
4607534		100001-	Wear Ring		120 mm	2P-Boom	HIT-0261308	52.73
4607534		100001-	Wear Ring		120 mm	2P-Boom	HIT-0667206	8.89
BUCKET		4371061	100001-	P-UB-10	65 mm	95 mm	River Maint	HIT-4364914
	4385637	100001-	P-UB-10	80 mm	115 mm		HIT-4448400	223.35
	4385637	100001-	P-UB-10	80 mm	115 mm		HIT-4448400-EX	389.03
	4385637	100001-	Bushing	80 mm			HIT-0309304	37.68
	4385637	100001-	Wear Ring		115 mm		HIT-0310908	45.42
	4385637	100001-	Wear Ring		115 mm		HIT-0686405	8.71
MODEL ZX200-3								
ARM	4613950	00100001-	P-UB-10	95 mm	135 mm		HIT-4654422	294.78
	4613950	00100001-	P-UB-10	95 mm	135 mm		HIT-4654422-EX	418.87
	4613950	00100001-	Bushing	95 mm			HIT-0309204	45.45
	4613950	00100001-	Wear Ring		135 mm		HIT-0309212	56.97
	4613950	00100001-	Wear Ring		135 mm		HIT-0962104	9.15
BOOM LH	4664872	00100001-	P-UB-10	85 mm	120 mm		HIT-4661485	234.11
	4664872	00100001-	P-UB-10	85 mm	120 mm		HIT-4661485-EX	389.03
	4664872	00100001-	Bushing	85 mm			HIT-0309004	41.83
	4664872	00100001-	Wear Ring		120 mm		HIT-0261308	52.73
	4664872	00100001-	Wear Ring		120 mm		HIT-H227906	8.89
BOOM RH	4664871	00100001-	P-UB-10	85 mm	120 mm		HIT-4661485	234.11
	4664871	00100001-	P-UB-10	85 mm	120 mm		HIT-4661485-EX	389.03
	4664871	00100001-	Bushing	85 mm			HIT-0309004	41.83
	4664871	00100001-	Wear Ring		120 mm		HIT-0261308	52.73
	4664871	00100001-	Wear Ring		120 mm		HIT-H227906	8.89
BUCKET	4629154	00100001-	P-UB-10	80 mm	115 mm		HIT-1102306	135.77

Hercules Sealing Products and original equipment Hitachi kits may not include the necessary wear rings for your cylinder rebuild. Kits with an -EX suffix will include these wear rings.

Please ask your sales representative for a cross-reference if no -EX kit or complementary parts are listed.

HITACHI

Replacement Kits For

HITACHI

Excavators								
APPLICATION	CYL #	SERIAL #	CODE	ROD	BORE	Misc	KIT #	List \$
MODEL ZX210LC-3								
ARM	4613950	00100001-	P-UB-10	95 mm	135 mm		HIT-4654422	294.78
	4613950	00100001-	P-UB-10	95 mm	135 mm		HIT-4654422-EX	418.87
	4613950	00100001-	Bushing	95 mm			HIT-0309204	45.45
	4613950	00100001-	Wear Ring		135 mm		HIT-0962104	9.15
	4613950	00100001-	Wear Ring		135 mm		HIT-0309212	56.97
BOOM LH	4664872	00100001-	P-UB-10	85 mm	120 mm		HIT-4661485	234.11
	4664872	00100001-	P-UB-10	85 mm	120 mm		HIT-4661485-EX	389.03
	4664872	00100001-	Bushing	85 mm			HIT-0309004	41.83
	4664872	00100001-	Wear Ring		120 mm		HIT-0261308	52.73
	4664872	00100001-	Wear Ring		120 mm		HIT-H227906	8.89
BOOM RH	4664871	00100001-	P-UB-10	85 mm	120 mm		HIT-4661485	234.11
	4664871	00100001-	P-UB-10	85 mm	120 mm		HIT-4661485-EX	389.03
	4664871	00100001-	Bushing	85 mm			HIT-0309004	41.83
	4664871	00100001-	Wear Ring		120 mm		HIT-0261308	52.73
	4664871	00100001-	Wear Ring		120 mm		HIT-H227906	8.89
BUCKET	4629154	00100001-	P-UB-10	80 mm	115 mm		HIT-1102306	135.77
MODEL ZX210LC-5								
ARM	9234748H		P-UB-10	95 mm	135 mm		HIT-AH225135	454.96
	9234748H		Bushing	95 mm			HIT-T108050	45.45
BOOM LH	9286529H		P-UB-10	85 mm	120 mm		HIT-AH225136	263.10
	9286529H		Bushing	85 mm			HIT-T108019	41.83
BOOM RH	9286528H		P-UB-10	85 mm	120 mm		HIT-AH225136	263.10
	9286528H		Bushing	85 mm			HIT-T108019	41.83
BUCKET	9248307H		P-UB-10	80 mm	115 mm		HIT-AH225137	135.77
	9248307H		Bushing	80 mm			HIT-T108041	37.68
MODEL ZX210LC-6								
ARM	9234748H		P-UB-10	95 mm	135 mm		HIT-AH225135	454.96
BOOM (LH)	9286529G		P-UB-10	85 mm	120 mm		HIT-AH225136	263.10
BOOM (RH)	9286528G		P-UB-10	85 mm	120 mm		HIT-AH225136	263.10
BUCKET	9248307G		P-UB-10	80 mm	115 mm		HIT-AH225137	135.77
THUMB	AT383236		I-UB-14	2-1/2	4		HIT-AT383237	547.34
TRACK ADJUSTER	9243238R						HIT-SK100100	68.82
MODEL ZX225US-3								
ARM	4613950	200001-	P-UB-10	95 mm	135 mm		HIT-4654422	294.78
	4613950	200001-	P-UB-10	95 mm	135 mm		HIT-4654422-EX	418.87
	4613950	200001-	Wear Ring		135 mm		HIT-0962104	9.15
	4613950	200001-	Wear Ring		135 mm		HIT-0309212	56.97
	4646744	200001-	P-UB-10	95 mm	135 mm		HIT-4654422	294.78
	4646744	200001-	P-UB-10	95 mm	135 mm		HIT-4654422-EX	418.87
	4646744	200001-	Wear Ring		135 mm		HIT-0309212	56.97
	4646744	200001-	Wear Ring		135 mm		HIT-0962104	9.15
BOOM LH	4632437	200001-	P-UB-10	85 mm	120 mm		HIT-4654421	263.10
	4648672	200001-	P-UB-10	85 mm	120 mm	With Hose Rupture Valve	HIT-4654421	263.10
	4654085	200001-	P-UB-10	85 mm	120 mm	With Hose Rupture Valve (ML)	HIT-4654421	263.10
BOOM RH	4632512	200001-	P-UB-10	85 mm	120 mm		HIT-4654421	263.10
	4648656	200001-	P-UB-10	85 mm	120 mm	With Hose Rupture Valve	HIT-4654421	263.10
BUCKET	4629154	200001-	P-UB-10	80 mm	115 mm		HIT-1102306	135.77
MODEL ZX225USLC-3								
ARM	4613950	200001-	P-UB-10	95 mm	135 mm		HIT-4654422	294.78
	4613950	200001-	P-UB-10	95 mm	135 mm		HIT-4654422-EX	418.87
	4613950	200001-	Wear Ring		135 mm		HIT-0962104	9.15
	4613950	200001-	Wear Ring		135 mm		HIT-0309212	56.97

Hercules Sealing Products and original equipment Hitachi kits may not include the necessary wear rings for your cylinder rebuild. Kits with an -EX suffix will include these wear rings.

Please ask your sales representative for a cross-reference if no -EX kit or complementary parts are listed.

Replacement Kits For

HITACHI

Excavators									
APPLICATION	CYL #	SERIAL #	CODE	ROD	BORE	Misc	KIT #	List \$	
MODEL ZX225USLC-3									
ARM	4646744	200001-	P-UB-10	95 mm	135 mm		HIT-4654422	294.78	
	4646744	200001-	P-UB-10	95 mm	135 mm		HIT-4654422-EX	418.87	
	4646744	200001-	Wear Ring		135 mm		HIT-0962104	9.15	
	4646744	200001-	Wear Ring		135 mm		HIT-0309212	56.97	
BOOM LH	4632437	200001-	P-UB-10	85 mm	120 mm		HIT-4654421	263.10	
	4648672	200001-	P-UB-10	85 mm	120 mm	With Hose Rupture Valve	HIT-4654421	263.10	
	4654085	200001-	P-UB-10	85 mm	120 mm	With Hose Rupture Valve (ML)	HIT-4654421	263.10	
BOOM RH	4632512	200001-	P-UB-10	85 mm	120 mm		HIT-4654421	263.10	
	4648656	200001-	P-UB-10	85 mm	120 mm	With Hose Rupture Valve	HIT-4654421	263.10	
BUCKET	4629154	200001-	P-UB-10	80 mm	115 mm		HIT-1102306	135.77	
MODEL ZX225USLC-5									
ARM	9169805	100001-	P-UB-10	95 mm	135 mm		HIT-AH225135	454.96	
BOOM LH	9196649	100001-	P-UB-10	85 mm	120 mm		HIT-AH225136	263.10	
BOOM RH	9196650	100001-	P-UB-10	85 mm	120 mm		HIT-AH225136	263.10	
BUCKET	9169806	100001-	P-UB-10	80 mm	115 mm		HIT-AH173451	412.47	
MODEL ZX230, ZX230LC									
ARM	4613898	D04/05-	P-UB-10	105 mm	140 mm	Mono Boom	HIT-4631062	301.54	
	4613898	D04/05-	P-UB-10	105 mm	140 mm	Mono Boom	HIT-4631062-EX	461.75	
	4613898	D04/05-	Bushing	105 mm		Mono Boom	HIT-0373405	53.57	
	4613898	D04/05-	Wear Ring		140 mm	Mono Boom	HIT-0937408	23.83	
	4613898	D04/05-	Wear Ring		140 mm	Mono Boom	HIT-0224108	57.69	
	4630579	D04/08-	P-UB-10	105 mm	140 mm	2P-Boom	HIT-4631062	301.54	
	4630579	D04/08-	P-UB-10	105 mm	140 mm	2P-Boom	HIT-4631062-EX	461.75	
	4630579	D04/08-	Bushing	105 mm		2P-Boom	HIT-0373405	53.57	
	4630579	D04/08-	Wear Ring		140 mm	2P-Boom	HIT-0960302	23.83	
	4630579	D04/08-	Wear Ring		140 mm	2P-Boom	HIT-0224108	57.69	
	9187392	010001-D04/04	P-UB-14	105 mm	140 mm	Mono Boom	HIT-4485613	206.49	
	9187392	010001-D04/04	P-UB-14	105 mm	140 mm	Mono Boom	HIT-4485613-EX	355.79	
	9187392	010001-D04/04	Bushing	105 mm		Mono Boom	HIT-4432450	53.57	
	9187392	010001-D04/04	Wear Ring		140 mm	Mono Boom	HIT-4414671	25.11	
	9187392	010001-D04/04	Wear Ring		140 mm	Mono Boom	HIT-4168233	68.95	
	9232344	010001-D04/07	P-UB-14	105 mm	140 mm	2P-Boom	HIT-9207059	206.49	
	9232344	010001-D04/07	P-UB-14	105 mm	140 mm	2P-Boom	HIT-9207059-EX	355.79	
	9232344	010001-D04/07	Bushing	105 mm		2P-Boom	HIT-4432450	53.57	
	9232344	010001-D04/07	Wear Ring		140 mm	2P-Boom	HIT-4168233	68.95	
	9232344	010001-D04/07	Wear Ring		140 mm	2P-Boom	HIT-4414671	25.11	
	BOOM LH	4613893	D03/08-	P-UB-10	90 mm	125 mm		HIT-4624394	250.57
		4613893	D03/08-	P-UB-10	90 mm	125 mm		HIT-4624394-EX	391.52
		4613893	D03/08-	Bushing	90 mm			HIT-0325904	40.34
		4613893	D03/08-	Wear Ring		125 mm		HIT-0926604	18.49
		4613893	D03/08-	Wear Ring		125 mm		HIT-0223713	54.95
		9187391	010001-D03/07	P-UB-14	90 mm	125 mm		HIT-4485612	144.21
		9187391	010001-D03/07	P-UB-14	90 mm	125 mm		HIT-4485612-EX	366.36
		9187391	010001-D03/07	Bushing	90 mm			HIT-4272961	40.34
		9187391	010001-D03/07	Wear Ring		125 mm		HIT-4253562	19.69
		9187391	010001-D03/07	Piston Ring		125 mm		HIT-4431271	32.66
	BOOM RH	4613892	D03/08-	P-UB-10	90 mm	125 mm		HIT-4624394	250.57
		4613892	D03/08-	P-UB-10	90 mm	125 mm		HIT-4624394-EX	391.52
4613892		D03/08-	Bushing	90 mm			HIT-0325904	40.34	
4613892		D03/08-	Wear Ring		125 mm		HIT-0223713	54.95	
4613892		D03/08-	Wear Ring		125 mm		HIT-0926604	18.49	
9187390		010001-D03/07	P-UB-14	90 mm	125 mm		HIT-4485612	144.21	

Hercules Sealing Products and original equipment Hitachi kits may not include the necessary wear rings for your cylinder rebuild. Kits with an -EX suffix will include these wear rings.

Please ask your sales representative for a cross-reference if no -EX kit or complementary parts are listed.

Replacement Kits For

HITACHI

HITACHI

Excavators								
APPLICATION	CYL #	SERIAL #	CODE	ROD	BORE	Misc	KIT #	List \$
MODEL ZX230, ZX230LC								
BOOM RH	9187390	010001-D03/07	P-UB-14	90 mm	125 mm		HIT-4485612-EX	366.36
	9187390	010001-D03/07	Bushing	90 mm			HIT-4272961	40.34
	9187390	010001-D03/07	Wear Ring		125 mm		HIT-4253562	19.69
	9187390	010001-D03/07	Piston Ring		125 mm		HIT-4431271	32.66
BUCKET	4613899	D03/11-	P-UB-10	90 mm	130 mm		HIT-4627361	105.40
	4613899	D03/11-	P-UB-10	90 mm	130 mm		HIT-4627361-EX	229.15
	4613899	D03/11-	Bushing	90 mm			HIT-0325904	40.34
	4613899	D03/11-	Wear Ring		130 mm		HIT-0254309	55.92
	4613899	D03/11-	Wear Ring		130 mm		HIT-0932805	21.73
	9187393	010001-D03/10	P-UB-14	90 mm	130 mm		HIT-4485614	162.48
	9187393	010001-D03/10	P-UB-14	90 mm	130 mm		HIT-4485614-EX	335.61
	9187393	010001-D03/10	Bushing	90 mm			HIT-4272961	40.34
	9187393	010001-D03/10	Wear Ring		130 mm		HIT-4431329	34.95
	9187393	010001-D03/10	Piston Ring		130 mm		HIT-4431272	66.89
MODEL ZX240-3, ZX240LC-3								
ARM	4618364	020001-	P-UB-10	100 mm	140 mm		HIT-4649050	334.77
	4618364	020001-	P-UB-10	100 mm	140 mm		HIT-4649050-EX	465.11
	4618364	020001-	Bushing	100 mm			HIT-0836104	62.28
	4618364	020001-	Wear Ring		140 mm		HIT-0960302	23.83
	4618364	020001-	Wear Ring		140 mm		HIT-0224108	57.69
BOOM LH	4628627	020001-	P-UB-10	90 mm	125 mm		HIT-4650419	250.57
	4628627	020001-	P-UB-10	90 mm	125 mm		HIT-4650419-EX	391.52
	4628627	020001-	Bushing	90 mm			HIT-0325904	40.34
	4628627	020001-	Wear Ring		125 mm		HIT-0926604	18.49
	4628627	020001-	Wear Ring		125 mm		HIT-0223713	54.95
BOOM RH	4628626	020001-	P-UB-10	90 mm	125 mm		HIT-4650419	250.57
	4628626	020001-	P-UB-10	90 mm	125 mm		HIT-4650419-EX	391.52
	4628626	020001-	Bushing	90 mm			HIT-0325904	40.34
	4628626	020001-	Wear Ring		125 mm		HIT-0926604	18.49
	4628626	020001-	Wear Ring		125 mm		HIT-0223713	54.95
BUCKET	4628634	020001-	P-UB-10	90 mm	130 mm		HIT-4650433	208.54
	4628634	020001-	P-UB-10	90 mm	130 mm		HIT-4650433-EX	332.28
	4628634	020001-	Bushing	90 mm			HIT-0325904	40.34
	4628634	020001-	Wear Ring		130 mm		HIT-0254309	55.92
	4628634	020001-	Wear Ring		130 mm		HIT-0974906	21.73
MODEL ZX240H, ZX240LCH, ZX240K, ZX240LCK								
ARM	4613898	D04/05-	P-UB-10	105 mm	140 mm	Mono Boom	HIT-4631062	301.54
	4613898	D04/05-	P-UB-10	105 mm	140 mm	Mono Boom	HIT-4631062-EX	461.75
	4613898	D04/05-	Bushing	105 mm		Mono Boom	HIT-0373405	53.57
	4613898	D04/05-	Wear Ring		140 mm	Mono Boom	HIT-0937408	23.83
	4613898	D04/05-	Wear Ring		140 mm	Mono Boom	HIT-0224108	57.69
	4630579	D04/08-	P-UB-10	105 mm	140 mm	2P-Boom	HIT-4631062	301.54
	4630579	D04/08-	P-UB-10	105 mm	140 mm	2P-Boom	HIT-4631062-EX	461.75
	4630579	D04/08-	Bushing	105 mm		2P-Boom	HIT-0373405	53.57
	4630579	D04/08-	Wear Ring		140 mm	2P-Boom	HIT-0224108	57.69
	4630579	D04/08-	Wear Ring		140 mm	2P-Boom	HIT-0960302	23.83
	9187392	010001-D04/04	P-UB-14	105 mm	140 mm	Mono Boom	HIT-4485613	206.49
	9187392	010001-D04/04	P-UB-14	105 mm	140 mm	Mono Boom	HIT-4485613-EX	355.79
	9187392	010001-D04/04	Bushing	105 mm		Mono Boom	HIT-4432450	53.57
	9187392	010001-D04/04	Wear Ring		140 mm	Mono Boom	HIT-4414671	25.11
	9187392	010001-D04/04	Wear Ring		140 mm	Mono Boom	HIT-4168233	68.95
	9232344	010001-D04/07	P-UB-14	105 mm	140 mm	2P-Boom	HIT-9207059	206.49
	9232344	010001-D04/07	P-UB-14	105 mm	140 mm	2P-Boom	HIT-9207059-EX	355.79
	9232344	010001-D04/07	Bushing	105 mm		2P-Boom	HIT-4432450	53.57
	9232344	010001-D04/07	Wear Ring		140 mm	2P-Boom	HIT-4414671	25.11

Hercules Sealing Products and original equipment Hitachi kits may not include the necessary wear rings for your cylinder rebuild. Kits with an -EX suffix will include these wear rings.

Please ask your sales representative for a cross-reference if no -EX kit or complementary parts are listed.

Replacement Kits For

HITACHI

Excavators								
APPLICATION	CYL #	SERIAL #	CODE	ROD	BORE	Misc	KIT #	List \$
MODEL ZX240H, ZX240LCH, ZX240K, ZX240LCK								
ARM	9232344	010001-D04/07	Wear Ring		140 mm	2P-Boom	HIT-4168233	68.95
BOOM LH	4613893	D03/08-	P-UB-10	90 mm	125 mm		HIT-4624394	250.57
	4613893	D03/08-	P-UB-10	90 mm	125 mm		HIT-4624394-EX	391.52
	4613893	D03/08-	Bushing	90 mm			HIT-0325904	40.34
	4613893	D03/08-	Wear Ring		125 mm		HIT-0926604	18.49
	4613893	D03/08-	Wear Ring		125 mm		HIT-0223713	54.95
	9187391	010001-D03/07	P-UB-14	90 mm	125 mm		HIT-4485612	144.21
	9187391	010001-D03/07	P-UB-14	90 mm	125 mm		HIT-4485612-EX	366.36
	9187391	010001-D03/07	Bushing	90 mm			HIT-4272961	40.34
	9187391	010001-D03/07	Wear Ring		125 mm		HIT-4253562	19.69
	9187391	010001-D03/07	Piston Ring		125 mm		HIT-4431271	32.66
BOOM RH	4613892	D03/08-	P-UB-10	90 mm	125 mm		HIT-4624394	250.57
	4613892	D03/08-	P-UB-10	90 mm	125 mm		HIT-4624394-EX	391.52
	4613892	D03/08-	Bushing	90 mm			HIT-0325904	40.34
	4613892	D03/08-	Wear Ring		125 mm		HIT-0223713	54.95
	4613892	D03/08-	Wear Ring		125 mm		HIT-0926604	18.49
	9187390	010001-D03/07	P-UB-14	90 mm	125 mm		HIT-4485612	144.21
	9187390	010001-D03/07	P-UB-14	90 mm	125 mm		HIT-4485612-EX	366.36
	9187390	010001-D03/07	Bushing	90 mm			HIT-4272961	40.34
	9187390	010001-D03/07	Wear Ring		125 mm		HIT-4253562	19.69
	9187390	010001-D03/07	Piston Ring		125 mm		HIT-4431271	32.66
BUCKET	4613899	D03/11-	P-UB-10	90 mm	130 mm		HIT-4627361	105.40
	4613899	D03/11-	P-UB-10	90 mm	130 mm		HIT-4627361-EX	229.15
	4613899	D03/11-	Bushing	90 mm			HIT-0325904	40.34
	4613899	D03/11-	Wear Ring		130 mm		HIT-0254309	55.92
	4613899	D03/11-	Wear Ring		130 mm		HIT-0932805	21.73
	9187393	010001-D03/10	P-UB-14	90 mm	130 mm		HIT-4485614	162.48
	9187393	010001-D03/10	P-UB-14	90 mm	130 mm		HIT-4485614-EX	335.61
	9187393	010001-D03/10	Bushing	90 mm			HIT-4272961	40.34
	9187393	010001-D03/10	Wear Ring		130 mm		HIT-4431329	34.95
	9187393	010001-D03/10	Piston Ring		130 mm		HIT-4431272	66.89
MODEL ZX250, ZX250LC, ZX250LCN								
ARM	4613898	D04/05-	P-UB-10	105 mm	140 mm	Mono Boom	HIT-4631062	301.54
	4613898	D04/05-	P-UB-10	105 mm	140 mm	Mono Boom	HIT-4631062-EX	461.75
	4613898	D04/05-	Bushing	105 mm		Mono Boom	HIT-0373405	53.57
	4613898	D04/05-	Wear Ring		140 mm	Mono Boom	HIT-0224108	57.69
	4613898	D04/05-	Wear Ring		140 mm	Mono Boom	HIT-0937408	23.83
	4630579	D04/08-	P-UB-10	105 mm	140 mm	2P-Boom	HIT-4631062	301.54
	4630579	D04/08-	P-UB-10	105 mm	140 mm	2P-Boom	HIT-4631062-EX	461.75
	4630579	D04/08-	Bushing	105 mm		2P-Boom	HIT-0373405	53.57
	4630579	D04/08-	Wear Ring		140 mm	2P-Boom	HIT-0960302	23.83
	4630579	D04/08-	Wear Ring		140 mm	2P-Boom	HIT-0224108	57.69
	9187390	010001-D03/07	P-UB-14	90 mm	125 mm		HIT-4485612	144.21
	9187390	010001-D03/07	P-UB-14	90 mm	125 mm		HIT-4485612-EX	366.36
	9187390	010001-D03/07	Bushing	90 mm			HIT-4272961	40.34
	9187390	010001-D03/07	Wear Ring		125 mm		HIT-4253562	19.69
	9187390	010001-D03/07	Piston Ring		125 mm		HIT-4431271	32.66
	9187392	010001-D04/04	P-UB-14	105 mm	140 mm	Mono Boom	HIT-4485613	206.49
	9187392	010001-D04/04	P-UB-14	105 mm	140 mm	Mono Boom	HIT-4485613-EX	355.79
	9187392	010001-D04/04	Bushing	105 mm		Mono Boom	HIT-4432450	53.57
	9187392	010001-D04/04	Wear Ring		140 mm	Mono Boom	HIT-4414671	25.11
	9187392	010001-D04/04	Wear Ring		140 mm	Mono Boom	HIT-4168233	68.95
	9232344	010001-D04/07	P-UB-14	105 mm	140 mm	2P-Boom	HIT-9207059	206.49
	9232344	010001-D04/07	P-UB-14	105 mm	140 mm	2P-Boom	HIT-9207059-EX	355.79
	9232344	010001-D04/07	Bushing	105 mm		2P-Boom	HIT-4432450	53.57

Hercules Sealing Products and original equipment Hitachi kits may not include the necessary wear rings for your cylinder rebuild.
Kits with an -EX suffix will include these wear rings.

Please ask your sales representative for a cross-reference if no -EX kit or complementary parts are listed.

HITACHI

Replacement Kits For

Excavators								
APPLICATION	CYL #	SERIAL #	CODE	ROD	BORE	Misc	KIT #	List \$
MODEL ZX250, ZX250LC, ZX250LCN								
ARM	9232344	010001-D04/07	Wear Ring		140 mm	2P-Boom	HIT-4414671	25.11
	9232344	010001-D04/07	Wear Ring		140 mm	2P-Boom	HIT-4168233	68.95
BOOM LH	4613893	D03/08-	P-UB-10	90 mm	125 mm		HIT-4624394	250.57
	4613893	D03/08-	P-UB-10	90 mm	125 mm		HIT-4624394-EX	391.52
	4613893	D03/08-	Bushing	90 mm			HIT-0325904	40.34
	4613893	D03/08-	Wear Ring		125 mm		HIT-0223713	54.95
	4613893	D03/08-	Wear Ring		125 mm		HIT-0926604	18.49
	9187391	010001-D03/07	P-UB-14	90 mm	125 mm		HIT-4485612	144.21
	9187391	010001-D03/07	P-UB-14	90 mm	125 mm		HIT-4485612-EX	366.36
	9187391	010001-D03/07	Bushing	90 mm			HIT-4272961	40.34
	9187391	010001-D03/07	Wear Ring		125 mm		HIT-4253562	19.69
	9187391	010001-D03/07	Piston Ring		125 mm		HIT-4431271	32.66
BOOM RH	4613892	D03/08-	P-UB-10	90 mm	125 mm		HIT-4624394	250.57
	4613892	D03/08-	P-UB-10	90 mm	125 mm		HIT-4624394-EX	391.52
	4613892	D03/08-	Bushing	90 mm			HIT-0325904	40.34
	4613892	D03/08-	Wear Ring		125 mm		HIT-0223713	54.95
	4613892	D03/08-	Wear Ring		125 mm		HIT-0926604	18.49
BUCKET	4613899	D03/11-	P-UB-10	90 mm	130 mm		HIT-4627361	105.40
	4613899	D03/11-	P-UB-10	90 mm	130 mm		HIT-4627361-EX	229.15
	4613899	D03/11-	Bushing	90 mm			HIT-0325904	40.34
	4613899	D03/11-	Wear Ring		130 mm		HIT-0254309	55.92
	4613899	D03/11-	Wear Ring		130 mm		HIT-0932805	21.73
	9187393	010001-D03/10	P-UB-14	90 mm	130 mm		HIT-4485614	162.48
	9187393	010001-D03/10	P-UB-14	90 mm	130 mm		HIT-4485614-EX	335.61
	9187393	010001-D03/10	Bushing	90 mm			HIT-4272961	40.34
	9187393	010001-D03/10	Wear Ring		130 mm		HIT-4431329	34.95
	9187393	010001-D03/10	Piston Ring		130 mm		HIT-4431272	66.89
MODEL ZX250LC-3, ZX250LCN-3, ZX250H-3, ZX250LCH-3, ZX250K-3, ZX250LCK								
BUCKET	4628634	020001-	P-UB-10	90 mm	130 mm		HIT-4650433	208.54
	4628634	020001-	P-UB-10	90 mm	130 mm		HIT-4650433-EX	332.28
	4628634	020001-	Bushing	90 mm			HIT-0325904	40.34
	4628634	020001-	Wear Ring		130 mm		HIT-0974906	21.73
	4628634	020001-	Wear Ring		130 mm		HIT-0254309	55.92
MODEL ZX250LC-3, ZX250LCN-3, ZX250H-3, ZX250LCH-3, ZX250K-3, ZX250LCK-3								
ARM	4618364	020001-	P-UB-10	100 mm	140 mm		HIT-4649050	334.77
	4618364	020001-	P-UB-10	100 mm	140 mm		HIT-4649050-EX	465.11
	4618364	020001-	Bushing	100 mm			HIT-0836104	62.28
	4618364	020001-	Wear Ring		140 mm		HIT-0224108	57.69
	4618364	020001-	Wear Ring		140 mm		HIT-0960302	23.83
BOOM LH	4628627	020001-	P-UB-10	90 mm	125 mm		HIT-4650419	250.57
	4628627	020001-	P-UB-10	90 mm	125 mm		HIT-4650419-EX	391.52
	4628627	020001-	Bushing	90 mm			HIT-0325904	40.34
	4628627	020001-	Wear Ring		125 mm		HIT-0223713	54.95
	4628627	020001-	Wear Ring		125 mm		HIT-0926604	18.49
BOOM RH	4628626	020001-	P-UB-10	90 mm	125 mm		HIT-4650419	250.57
	4628626	020001-	P-UB-10	90 mm	125 mm		HIT-4650419-EX	391.52
	4628626	020001-	Bushing	90 mm			HIT-0325904	40.34
	4628626	020001-	Wear Ring		125 mm		HIT-0223713	54.95
	4628626	020001-	Wear Ring		125 mm		HIT-0926604	18.49
MODEL ZX270, ZX270LC, ZX280LC, ZX280LCN								
ARM	4628581	D04/08-, D05/01-	P-UB-10	100 mm	145 mm	Mono Boom	HIT-4639938	316.36
	4628581	D04/08-, D05/01-	Bushing	100 mm		Mono Boom	HIT-0836104	62.28
	4628581	D04/08-, D05/01-	Wear Ring		145 mm	Mono Boom	HIT-0373413	90.75
	4628581	D04/08-, D05/01-	Wear Ring		145 mm	Mono Boom	HIT-0962008	23.83

Hercules Sealing Products and original equipment Hitachi kits may not include the necessary wear rings for your cylinder rebuild. Kits with an -EX suffix will include these wear rings.

Please ask your sales representative for a cross-reference if no -EX kit or complementary parts are listed.

Replacement Kits For

HITACHI

Excavators								
APPLICATION	CYL #	SERIAL #	CODE	ROD	BORE	Misc	KIT #	List \$
MODEL ZX270, ZX270LC, ZX280LC, ZX280LCN								
ARM	9186598	020001-D04/07, 020001-D04/12	P-UB-14	100 mm	145 mm	Mono Boom	HIT-9180579	271.40
	9186598	020001-D04/07, 020001-D04/12	P-UB-14	100 mm	145 mm	Mono Boom	HIT-9180579-EX	426.90
	9186598	020001-D04/07, 020001-D04/12	Bushing	100 mm		Mono Boom	HIT-4272963	62.79
	9186598	020001-D04/07, 020001-D04/12	Wear Ring		145 mm	Mono Boom	HIT-4194621	25.24
	9186598	020001-D04/07, 020001-D04/12	Wear Ring		145 mm	Mono Boom	HIT-4185247	73.01
	9232345	020001-D04/07, 020001-D04/12	P-UB-14	100 mm	145 mm	2P-Boom	HIT-9180579	271.40
	9232345	020001-D04/07, 020001-D04/12	P-UB-14	100 mm	145 mm	2P-Boom	HIT-9180579-EX	426.90
	9232345	020001-D04/07, 020001-D04/12	Bushing	100 mm		2P-Boom	HIT-4272963	62.79
	9232345	020001-D04/07, 020001-D04/12	Wear Ring		145 mm	2P-Boom	HIT-4194621	25.24
	9232345	020001-D04/07, 020001-D04/12	Wear Ring		145 mm	2P-Boom	HIT-4185247	73.01
BOOM LH	4628583	D04/08-,D05/01-	P-UB-10	95 mm	135 mm		HIT-4639936	328.06
	4628583	D04/08-,D05/01-	P-UB-10	95 mm	135 mm		HIT-4639936-EX	452.14
	4628583	D04/08-,D05/01-	Wear Ring		135 mm		HIT-0962104	9.15
	9186597	020001-D04/07, 020001-D04/12	P-UB-14	95 mm	135 mm		HIT-4485615	192.99
	9186597	020001-D04/07, 020001-D04/12	P-UB-14	95 mm	135 mm		HIT-4485615-EX	342.88
	9186597	020001-D04/07, 020001-D04/12	Bushing	95 mm			HIT-4272962	45.45
	9186597	020001-D04/07, 020001-D04/12	Wear Ring		135 mm		HIT-4252191	27.10
	9186597	020001-D04/07, 020001-D04/12	Wear Ring		135 mm		HIT-4185246	66.74
	9186598	D04/08-, D05/01-	P-UB-10	95 mm	135 mm		HIT-4639936	328.06
BOOM RH	4628582	D04/08-, D05/01-	P-UB-10	95 mm	135 mm		HIT-4639936	328.06
	4628582	D04/08-, D05/01-	P-UB-10	95 mm	135 mm		HIT-4639936-EX	452.14
	4628582	D04/08-, D05/01-	Bushing	95 mm			HIT-0309204	45.45
	4628582	D04/08-, D05/01-	Wear Ring		135 mm		HIT-0309212	56.97
	4628582	D04/08-, D05/01-	Wear Ring		135 mm		HIT-0962104	9.15
	9186596	020001-D04/07, 020001-D04/12	P-UB-14	95 mm	135 mm		HIT-4485615	192.99
	9186596	020001-D04/07, 020001-D04/12	P-UB-14	95 mm	135 mm		HIT-4485615-EX	342.88
	9186596	020001-D04/07, 020001-D04/12	Bushing	95 mm			HIT-4272962	45.45
	9186596	020001-D04/07, 020001-D04/12	Wear Ring		135 mm		HIT-4185246	66.74
	9186596	020001-D04/07, 020001-D04/12	Wear Ring		135 mm		HIT-4252191	27.10
BUCKET	4628580	D04/08-, D05/01-	P-UB-10	90 mm	135 mm		HIT-4639939	378.12
	4628580	D04/08-, D05/01-	P-UB-10	90 mm	135 mm		HIT-4639939-EX	424.26
	4628580	D04/08-, D05/01-	Bushing	90 mm			HIT-0325904	40.34
	4628580	D04/08-, D05/01-	Wear Ring		135 mm		HIT-0962104	9.15
	4628580	D04/08-, D05/01-	Wear Ring		135 mm		HIT-0309212	56.97
	9186599	020001-D04/07, 020001-D04/12	P-UB-14	90 mm	135 mm		HIT-9180580	218.28
	9186599	020001-D04/07, 020001-D04/12	P-UB-14	90 mm	135 mm		HIT-9180580-EX	368.15

Hercules Sealing Products and original equipment Hitachi kits may not include the necessary wear rings for your cylinder rebuild.
Kits with an -EX suffix will include these wear rings.

Please ask your sales representative for a cross-reference if no -EX kit or complementary parts are listed.

HITACHI

Replacement Kits For

Excavators								
APPLICATION	CYL #	SERIAL #	CODE	ROD	BORE	Misc	KIT #	List \$
MODEL ZX270, ZX270LC, ZX280LC, ZX280LCN								
BUCKET	9186599	020001-D04/07, 020001-D04/12	Bushing	90 mm			HIT-4272961	40.34
	9186599	020001-D04/07, 020001-D04/12	Wear Ring		135 mm		HIT-4252191	27.10
	9186599	020001-D04/07, 020001-D04/12	Wear Ring		135 mm		HIT-4185246	66.74
MODEL ZX270-3								
ARM	4628630	00100001-	P-UB-14	105 mm	150 mm		HIT-4649752	302.39
BOOM LH	4628631	00100001-	P-UB-14	95 mm	135 mm		HIT-4649745	216.06
BOOM RH	4628632	00100001-	P-UB-14	95 mm	135 mm		HIT-4649745	216.06
BUCKET	4628628	00100001-	P-UB-14	90 mm	135 mm		HIT-4649751	220.44
MODEL ZX330, ZX330LC, ZX350LC, ZX350LCH, ZX350H, ZX350K, ZX350LCK, ZX370, ZX370MTH								
ARM	4611472	D04/08-	P-UB-14	115 mm	170 mm	Mono Boom	HIT-4640118	520.71
	4611472	D04/08-	Piston Ring		170 mm	Mono Boom	HIT-0961424	61.00
	9186602	030001-D04/07	P-UB-14	115 mm	170 mm	Mono Boom	HIT-9180582	324.44
	9186602	030001-D04/07	P-UB-14	115 mm	170 mm	Mono Boom	HIT-9180582-EX	557.17
	9186602	030001-D04/07	Bushing	115 mm		Mono Boom	HIT-4370337	79.99
	9186602	030001-D04/07	Wear Ring		170 mm	Mono Boom	HIT-4370063	95.89
	9186602	030001-D04/07	Wear Ring		170 mm	Mono Boom	HIT-4370064	48.01
	9232346	030001-	P-UB-14	115 mm	170 mm	2P-Boom	HIT-9180582	324.44
	9232346	030001-	P-UB-14	115 mm	170 mm	2P-Boom	HIT-9180582-EX	557.17
	9232346	030001-	Bushing	115 mm		2P-Boom	HIT-4370337	79.99
BOOM LH	9232346	030001-	Wear Ring		170 mm	2P-Boom	HIT-4370063	95.89
	4611474	D04/08-	P-UB-14	105 mm	150 mm		HIT-4640107	683.91
	9186601	030001-D04/07	P-UB-14	105 mm	150 mm		HIT-9180581	371.68
	9186601	030001-D04/07	P-UB-14	105 mm	150 mm		HIT-9180581-EX	537.09
	9186601	030001-D04/07	Bushing	105 mm			HIT-4383093	56.47
	9186601	030001-D04/07	Wear Ring		150 mm		HIT-4194622	21.67
	9186601	030001-D04/07	Wear Ring		150 mm		HIT-4171490	76.51
BOOM RH	4611473	D04/08-	P-UB-14	105 mm	150 mm		HIT-4640107	683.91
	9186600	030001-D04/07	P-UB-14	105 mm	150 mm		HIT-9180581	371.68
	9186600	030001-D04/07	P-UB-14	105 mm	150 mm		HIT-9180581-EX	537.09
	9186600	030001-D04/07	Bushing	105 mm			HIT-4383093	56.47
	9186600	030001-D04/07	Wear Ring		150 mm		HIT-4171490	76.51
	9186600	030001-D04/07	Wear Ring		150 mm		HIT-4194622	21.67
	9186600	030001-D04/07	Wear Ring		150 mm		HIT-4171490	76.51
BUCKET	4611475	D04/08-	P-UB-14	95 mm	145 mm		HIT-4640108	597.85
	9186603	030001-D04/07	P-UB-14	95 mm	145 mm		HIT-9175564	220.35
	9186603	030001-D04/07	P-UB-14	95 mm	145 mm		HIT-9175564-EX	376.84
	9186603	030001-D04/07	Bushing	95 mm			HIT-4284535	53.46
	9186603	030001-D04/07	Wear Ring		145 mm		HIT-4185247	73.01
	9186603	030001-D04/07	Wear Ring		145 mm		HIT-4185249	20.14
	9186603	030001-D04/07	Wear Ring		145 mm		HIT-4185249	20.14
MODEL ZX330-3, ZX330LC-3								
ARM	4628635	050001-	P-UB-10	115 mm	170 mm		HIT-4649051	279.64
	4628635	050001-	P-UB-10	115 mm	170 mm		HIT-4649051-EX	475.48
	4628635	050001-	Bushing	115 mm			HIT-0352704	60.50
	4628635	050001-	Wear Ring		170 mm		HIT-0259307	95.89
	4628635	050001-	Wear Ring		170 mm		HIT-0975411	28.74
	4639441	050001-	P-UB-10	115 mm	170 mm		HIT-4649051	279.64
	4639441	050001-	P-UB-10	115 mm	170 mm		HIT-4649051-EX	475.48
	4639441	050001-	Bushing	115 mm			HIT-0352704	60.50
	4639441	050001-	Wear Ring		170 mm		HIT-0259307	95.89
	4639441	050001-	Wear Ring		170 mm		HIT-0975411	28.74
	4644677	050001-	P-UB-10	115 mm	170 mm		HIT-4649051	279.64
	4644677	050001-	P-UB-10	115 mm	170 mm		HIT-4649051-EX	475.48
	4644677	050001-	Bushing	115 mm			HIT-0352704	60.50
	4644677	050001-	Wear Ring		170 mm		HIT-0259307	95.89

Hercules Sealing Products and original equipment Hitachi kits may not include the necessary wear rings for your cylinder rebuild. Kits with an -EX suffix will include these wear rings.

Please ask your sales representative for a cross-reference if no -EX kit or complementary parts are listed.

HITACHI

HITACHI

Excavators									
APPLICATION	CYL #	SERIAL #	CODE	ROD	BORE	Misc	KIT #	List \$	
MODEL ZX330-3, ZX330LC-3									
ARM	4644677	050001-	Wear Ring		170 mm		HIT-0975411	28.74	
	4646776	050001-	P-UB-10	115 mm	170 mm		HIT-4649051	279.64	
	4646776	050001-	P-UB-10	115 mm	170 mm		HIT-4649051-EX	475.48	
	4646776	050001-	Bushing	115 mm			HIT-0352704	60.50	
	4646776	050001-	Wear Ring		170 mm		HIT-0259307	95.89	
	4646776	050001-	Wear Ring		170 mm		HIT-0975411	28.74	
BOOM LH	4628637	050001-	P-UB-10	100 mm	145 mm		HIT-4649049	271.38	
	4628637	050001-	P-UB-10	100 mm	145 mm		HIT-4649049-EX	450.26	
	4628637	050001-	Bushing	100 mm			HIT-0836104	62.28	
	4628637	050001-	Wear Ring		145 mm		HIT-0962008	23.83	
	4628637	050001-	Wear Ring		145 mm		HIT-0373413	90.75	
	4638831	050001-	P-UB-10	100 mm	145 mm		HIT-4649049	271.38	
	4638831	050001-	P-UB-10	100 mm	145 mm		HIT-4649049-EX	450.26	
	4638831	050001-	Bushing	100 mm			HIT-0836104	62.28	
	4638831	050001-	Wear Ring		145 mm		HIT-0373413	90.75	
	4638831	050001-	Wear Ring		145 mm		HIT-0962008	23.83	
	BOOM RH	4628636	050001-	P-UB-10	100 mm	145 mm		HIT-4649049	271.38
		4628636	050001-	P-UB-10	100 mm	145 mm		HIT-4649049-EX	450.26
4628636		050001-	Bushing	100 mm			HIT-0836104	62.28	
4628636		050001-	Wear Ring		145 mm		HIT-0962008	23.83	
4628636		050001-	Wear Ring		145 mm		HIT-0373413	90.75	
4644670		050001-	P-UB-10	100 mm	145 mm		HIT-4649049	271.38	
4644670		050001-	P-UB-10	100 mm	145 mm		HIT-4649049-EX	450.26	
4644670		050001-	Bushing	100 mm			HIT-0836104	62.28	
4644670		050001-	Wear Ring		145 mm		HIT-0373413	90.75	
4644670		050001-	Wear Ring		145 mm		HIT-0962008	23.83	
BUCKET		4643260	050001-	P-UB-10	95 mm	140 mm		HIT-4649053	241.69
		4643260	050001-	P-UB-10	95 mm	140 mm		HIT-4649053-EX	372.02
	4643260	050001-	Bushing	95 mm			HIT-0309204	45.45	
	4643260	050001-	Wear Ring		140 mm		HIT-0224108	57.69	
	4643260	050001-	Wear Ring		140 mm		HIT-0960302	23.83	
MODEL ZX330LC-5									
ARM (2P-BOOM)	9232346; 9232349		P-UB-14	115 mm	170 mm		HIT-9180582	324.44	
ARM (MONO BOOM)	4611472; 0961401		P-UB-14	115 mm	170 mm		HIT-4640118	520.71	
	9186602; 9206327		P-UB-14	115 mm	170 mm		HIT-9180582	324.44	
BOOM (LH)	4611474; 0961201		P-UB-14	105 mm	150 mm		HIT-4640107	683.91	
	9186601; 9206326		P-UB-14	105 mm	150 mm		HIT-9180581	371.68	
BOOM (RH)	4611473; 0961201		P-UB-14	105 mm	150 mm		HIT-4640107	683.91	
	9186600; 9206325		P-UB-14	105 mm	150 mm		HIT-9180581	371.68	
BUCKET	4611475; 0961501		P-UB-14	95 mm	145 mm		HIT-4640108	597.85	
	9186603; 9206328		P-UB-14	95 mm	145 mm		HIT-9175564	220.35	
BUCKET (BEH BOOM)	4611271		P-UB-10	100 mm	150 mm		HIT-4624819	357.19	
POSITIONING	4611165		P-UB-10	105 mm	170 mm		HIT-4662072	256.80	
POSITIONING (w/HOLDING VALVE)	4612135		P-UB-10	105 mm	170 mm		HIT-4662072	256.80	
MODEL ZX350LC-3, ZX350LCN-3, ZX350H-3, ZX350LCH-3, ZX350K-3, ZX350LCK-3									
ARM	4628635	050001-	P-UB-10	115 mm	170 mm		HIT-4649051	279.64	
	4628635	050001-	P-UB-10	115 mm	170 mm		HIT-4649051-EX	475.48	

Hercules Sealing Products and original equipment Hitachi kits may not include the necessary wear rings for your cylinder rebuild.
 Kits with an -EX suffix will include these wear rings.

Please ask your sales representative for a cross-reference if no -EX kit or complementary parts are listed.

Replacement Kits For

HITACHI

Excavators								
APPLICATION	CYL #	SERIAL #	CODE	ROD	BORE	Misc	KIT #	List \$
MODEL ZX350LC-3, ZX350LCN-3, ZX350H-3, ZX350LCH-3, ZX350K-3, ZX350LCK-3								
ARM	4628635	050001-	Bushing	115 mm			HIT-0352704	60.50
	4628635	050001-	Wear Ring		170 mm		HIT-0259307	95.89
	4628635	050001-	Wear Ring		170 mm		HIT-0975411	28.74
	4639441	050001-	P-UB-10	115 mm	170 mm		HIT-4649051	279.64
	4639441	050001-	P-UB-10	115 mm	170 mm		HIT-4649051-EX	475.48
	4639441	050001-	Bushing	115 mm			HIT-0352704	60.50
	4639441	050001-	Wear Ring		170 mm		HIT-0259307	95.89
	4639441	050001-	Wear Ring		170 mm		HIT-0975411	28.74
	4644677	050001-	P-UB-10	115 mm	170 mm		HIT-4649051	279.64
	4644677	050001-	P-UB-10	115 mm	170 mm		HIT-4649051-EX	475.48
	4644677	050001-	Bushing	115 mm			HIT-0352704	60.50
	4644677	050001-	Wear Ring		170 mm		HIT-0259307	95.89
	4644677	050001-	Wear Ring		170 mm		HIT-0975411	28.74
	4646776	050001-	P-UB-10	115 mm	170 mm		HIT-4649051	279.64
	4646776	050001-	P-UB-10	115 mm	170 mm		HIT-4649051-EX	475.48
	4646776	050001-	Bushing	115 mm			HIT-0352704	60.50
	4646776	050001-	Wear Ring		170 mm		HIT-0259307	95.89
4646776	050001-	Wear Ring		170 mm		HIT-0975411	28.74	
BOOM LH	4628637	050001-	P-UB-10	100 mm	145 mm		HIT-4649049	271.38
	4628637	050001-	P-UB-10	100 mm	145 mm		HIT-4649049-EX	450.26
	4628637	050001-	Bushing	100 mm			HIT-0836104	62.28
	4628637	050001-	Wear Ring		145 mm		HIT-0373413	90.75
	4628637	050001-	Wear Ring		145 mm		HIT-0962008	23.83
	4638831	050001-	P-UB-10	100 mm	145 mm		HIT-4649049	271.38
	4638831	050001-	P-UB-10	100 mm	145 mm		HIT-4649049-EX	450.26
	4638831	050001-	Bushing	100 mm			HIT-0836104	62.28
	4638831	050001-	Wear Ring		145 mm		HIT-0373413	90.75
	4638831	050001-	Wear Ring		145 mm		HIT-0962008	23.83
BOOM RH	4628636	050001-	P-UB-10	100 mm	145 mm		HIT-4649049	271.38
	4628636	050001-	P-UB-10	100 mm	145 mm		HIT-4649049-EX	450.26
	4628636	050001-	Bushing	100 mm			HIT-0836104	62.28
	4628636	050001-	Wear Ring		145 mm		HIT-0373413	90.75
	4628636	050001-	Wear Ring		145 mm		HIT-0962008	23.83
	4644670	050001-	P-UB-10	100 mm	145 mm		HIT-4649049	271.38
	4644670	050001-	P-UB-10	100 mm	145 mm		HIT-4649049-EX	450.26
	4644670	050001-	Bushing	100 mm			HIT-0836104	62.28
	4644670	050001-	Wear Ring		145 mm		HIT-0373413	90.75
	4644670	050001-	Wear Ring		145 mm		HIT-0962008	23.83
BUCKET	4643260	050001-	P-UB-10	95 mm	140 mm		HIT-4649053	241.69
	4643260	050001-	P-UB-10	95 mm	140 mm		HIT-4649053-EX	372.02
	4643260	050001-	Bushing	95 mm			HIT-0309204	45.45
	4643260	050001-	Wear Ring		140 mm		HIT-0224108	57.69
	4643260	050001-	Wear Ring		140 mm		HIT-0960302	23.83
MODEL ZX350LC-5N								
ARM			P-UB-14	115 mm	170 mm		HIT-4640118	520.71
	9303616H		P-UB-10	115 mm	170 mm		HIT-4S00930	295.84
	9303616H			115 mm	170 mm		HIT-4S00930-EX	471.20
	9303616H		Wear Ring		170 mm		HIT-AT264248	95.89
	9303616H		Wear Ring		170 mm		HIT-4S00858	28.74
BOOM LH	9246664		P-UB-10	100 mm	145 mm		HIT-4S00783	271.38
	9246664		P-UB-10	100 mm	145 mm		HIT-4S00783-EX	450.26
BOOM RH	9246663		P-UB-10	100 mm	145 mm		HIT-4S00783	271.38
	9246663		P-UB-10	100 mm	145 mm		HIT-4S00783-EX	450.26
	9246663		Wear Ring		145 mm		HIT-4S00804	90.75
	9246663		Wear Ring		145 mm		HIT-4S00803	23.83

Hercules Sealing Products and original equipment Hitachi kits may not include the necessary wear rings for your cylinder rebuild. Kits with an -EX suffix will include these wear rings.

Please ask your sales representative for a cross-reference if no -EX kit or complementary parts are listed.

Replacement Kits For

HITACHI

Excavators								
APPLICATION	CYL #	SERIAL #	CODE	ROD	BORE	Misc	KIT #	List \$
MODEL ZX350LC-5N								
BUCKET			P-UB-10	75 mm	105 mm		HIT-AH155040	613.76
	4379259		P-UB-10	65 mm	95 mm		HIT-AT196469	406.04
	9255452H		P-UB-10	95 mm	140 mm		HIT-FYA00001398	162.73
	9255452H		P-UB-10	95 mm	140 mm		HIT-FYA00001398-EX	302.54
	9255452H		Wear Ring		140 mm		HIT-TH102797	57.69
	9255452H		Wear Ring		140 mm		HIT-4S00705	23.83
THUMB	AT383284		I-UB-14	3	5		HIT-AT383285	344.72
MODEL ZX350LC-6								
ARM	9299855H		P-UB-10	115 mm	170 mm		HIT-FYA00008837	570.09
BOOM (LH)	9303615H		P-UB-10	100 mm	145 mm		HIT-FYA00008840	512.90
BOOM (RH)	9299853H		P-UB-10	100 mm	145 mm		HIT-FYA00008840	512.90
BUCKET	9271380H		P-UB-10	95 mm	145 mm		HIT-FYA00001401	344.33
	9299856H		P-UB-10	95 mm	140 mm		HIT-FYA00008843	479.99
THUMB	AT383284		I-UB-14	3	5		HIT-AT383285	344.72
TRACK ADJUSTER	9243509R						HIT-SK100101	45.22
MODEL ZX360LC-3								
ARM	4628635	00100001-	P-UB-10	115 mm	170 mm		HIT-4649051	279.64
	4628635	00100001-	P-UB-10	115 mm	170 mm		HIT-4649051-EX	475.48
	4628635	00100001-	Bushing	115 mm			HIT-0352704	60.50
	4628635	00100001-	Wear Ring		170 mm		HIT-0259307	95.89
	4628635	00100001-	Wear Ring		170 mm		HIT-0975411	28.74
BOOM LH	4628637	00100001-	P-UB-10	100 mm	145 mm		HIT-4649049	271.38
	4628637	00100001-	P-UB-10	100 mm	145 mm		HIT-4649049-EX	450.26
	4628637	00100001-	Bushing	100 mm			HIT-0836104	62.28
	4628637	00100001-	Wear Ring		145 mm		HIT-0962008	23.83
BOOM RH	4628637	00100001-	Wear Ring		145 mm		HIT-0373413	90.75
	4628636	00100001-	P-UB-10	100 mm	145 mm		HIT-4649049	271.38
	4628636	00100001-	P-UB-10	100 mm	145 mm		HIT-4649049-EX	450.26
	4628636	00100001-	Bushing	100 mm			HIT-0836104	62.28
BUCKET	4628636	00100001-	Wear Ring		145 mm		HIT-0962008	23.83
	4628636	00100001-	Wear Ring		145 mm		HIT-0373413	90.75
	4643260	00100001-	P-UB-10	95 mm	140 mm		HIT-4649053	241.69
	4643260	00100001-	P-UB-10	95 mm	140 mm		HIT-4649053-EX	372.02
	4643260	00100001-	Bushing	95 mm			HIT-0309204	45.45
	4643260	00100001-	Wear Ring		140 mm		HIT-0224108	57.69
4643260	00100001-	Wear Ring		140 mm		HIT-0960302	23.83	
MODEL ZX450, ZX450LC, ZX450H, ZX450LCH, ZX460LCH, ZX480MT, ZX480MTH								
BACKHOE ARM	4310243	010001-	P-UB-10	130 mm	190 mm		HIT-4438679	418.00
	4310243	010001-	Bushing	130 mm			HIT-0353004	85.79
	4310243	010001-	Wear Ring		190 mm		HIT-0242512	99.72
	4310243	010001-	Wear Ring		190 mm		HIT-0420307	51.74
	4310243	050001-	P-UB-10	130 mm	190 mm		HIT-4438679	418.00
BACKHOE BOOM LH	4310242	010001-D03-/07	P-UB-10	115 mm	170 mm		HIT-4438672	494.19
	4310242	010607-010612, 010621-010626, 010638-	P-UB-10	115 mm	170 mm		HIT-4438672	494.19
	4310242	010607-010612, 010621-010626, 010638-	Bushing	115 mm			HIT-0352704	60.50
	4310242	010607-010612, 010621-010626, 010638-	Wear Ring		170 mm		HIT-0420109	28.74
	4310242	010607-010612, 010621-010626, 010638-	Wear Ring		170 mm		HIT-0259307	95.89
	4310242	050002-	P-UB-10	115 mm	170 mm		HIT-4438672	494.19

Hercules Sealing Products and original equipment Hitachi kits may not include the necessary wear rings for your cylinder rebuild. Kits with an -EX suffix will include these wear rings.

Please ask your sales representative for a cross-reference if no -EX kit or complementary parts are listed.

Replacement Kits For

HITACHI

HITACHI

Excavators								
APPLICATION	CYL #	SERIAL #	CODE	ROD	BORE	Misc	KIT #	List \$
MODEL ZX450, ZX450LC, ZX450H, ZX450LCH, ZX460LCH, ZX480MT, ZX480MTH								
BACKHOE BOOM LH	9174340	010001-010606, 010613-010620, 010627-010637	P-UB-14	115 mm	170 mm		HIT-9180582	324.44
	9174340	010001-010606, 010613-010620, 010627-010637	Bushing	115 mm			HIT-4370337	79.99
	9174340	010001-010606, 010613-010620, 010627-010637	Wear Ring		170 mm		HIT-4370063	95.89
	9174340	010001-010606, 010613-010620, 010627-010637	Wear Ring		170 mm		HIT-4370064	48.01
	9174340	010001-D03-/07	P-UB-14	115 mm	170 mm		HIT-9180582	324.44
	9174340	050001	P-UB-14	115 mm	170 mm		HIT-9180582	324.44
BACKHOE BOOM RH	4310241	010607-010612, 010621-010626, 010638-	P-UB-10	115 mm	170 mm		HIT-4438672	494.19
	4310241	010607-010612, 010621-010626, 010638-	Bushing	115 mm			HIT-0352704	60.50
	4310241	010607-010612, 010621-010626, 010638-	Wear Ring		170 mm		HIT-0259307	95.89
	4310241	010607-010612, 010621-010626, 010638-	Wear Ring		170 mm		HIT-0420109	28.74
	4310241	050002-	P-UB-10	115 mm	170 mm		HIT-4438672	494.19
	4310241	D03/08-	P-UB-10	115 mm	170 mm		HIT-4438672	494.19
	9174339	010001-010606, 010613-010620, 010627-010637	P-UB-14	115 mm	170 mm		HIT-9180582	324.44
	9174339	010001-010606, 010613-010620, 010627-010637	Bushing	115 mm			HIT-4370337	79.99
	9174339	010001-010606, 010613-010620, 010627-010637	Wear Ring		170 mm		HIT-4370064	48.01
	9174339	010001-010606, 010613-010620, 010627-010637	Wear Ring		170 mm		HIT-4370063	95.89
	9174339	010001-D03/07	P-UB-14	115 mm	170 mm		HIT-9180582	324.44
	9174339	050001	P-UB-14	115 mm	170 mm		HIT-9180582	324.44
	9209136	010001-	P-UB-14	115 mm	170 mm	Long Arm	HIT-9180582	324.44
	BACKHOE BUCKET	4390024	010001-	P-UB-10	120 mm	170 mm		HIT-4438681
4390024		010001-	Bushing	120 mm			HIT-0450506	58.61
4390024		010001-	Wear Ring		170 mm		HIT-0420109	28.74
4390024		010001-	Wear Ring		170 mm		HIT-0259307	95.89
4390024		050001-	P-UB-10	120 mm	170 mm		HIT-4438681	309.46
9138785		010001-	P-UB-14	95 mm	145 mm	Long Arm	HIT-9123265	194.90
9138785		010001-	Bushing	95 mm		Long Arm	HIT-4284535	53.46
9138785		010001-	Wear Ring		145 mm	Long Arm	HIT-4185247	73.01
9138785		010001-	Wear Ring		145 mm	Long Arm	HIT-4185249	20.14
LOADER ARM		4219778	010001-	P-UB-10	115 mm	170 mm		HIT-4255531
	4219778	010001-	P-UB-10	115 mm	170 mm		HIT-4438758	341.07
LOADER BOOM LH	9209137	010001-	P-UB-14	115 mm	170 mm		HIT-9180582	324.44
	9209137	010001-	Bushing	115 mm			HIT-4370337	79.99
	9209137	010001-	Wear Ring		170 mm		HIT-4370064	48.01
	9209137	010001-	Wear Ring		170 mm		HIT-4370063	95.89
LOADER BOOM RH	9209136	010001-	P-UB-14	115 mm	170 mm		HIT-9180582	324.44
	9209136	010001-	Bushing	115 mm			HIT-4370337	79.99

Hercules Sealing Products and original equipment Hitachi kits may not include the necessary wear rings for your cylinder rebuild. Kits with an -EX suffix will include these wear rings.

Please ask your sales representative for a cross-reference if no -EX kit or complementary parts are listed.

Replacement Kits For

HITACHI

Excavators								
APPLICATION	CYL #	SERIAL #	CODE	ROD	BORE	Misc	KIT #	List \$
MODEL ZX450, ZX450LC, ZX450H, ZX450LCH, ZX460LCH, ZX480MT, ZX480MTH								
LOADER BOOM RH	9209136	010001-	Wear Ring		170 mm		HIT-4370063	95.89
	9209136	010001-	Wear Ring		170 mm		HIT-4370064	48.01
LOADER BUCKET LH	4219781	010001-	P-UB-10	115 mm	150 mm		HIT-4255532	322.69
	4219781	010001-	Bushing	115 mm			HIT-0352704	60.50
	4219781	010001-	Wear Ring		150 mm		HIT-0387305	24.02
	4219781	010001-	Wear Ring		150 mm		HIT-0237220	63.71
LOADER BUCKET RH	4219780	010001-	P-UB-10	115 mm	150 mm		HIT-4255532	322.69
	4219780	010001-	Bushing	115 mm			HIT-0352704	60.50
	4219780	010001-	Wear Ring		150 mm		HIT-0387305	24.02
	4219780	010001-	Wear Ring		150 mm		HIT-0237220	63.71
LOADER DUMP	4219782	010001-	P-UB-10	65 mm	100 mm		HIT-4255533	133.92
	4219782	010001-	Bushing	65 mm			HIT-0310604	26.16
	4219782	010001-	Wear Ring		100 mm		HIT-0326005	15.78
	4219782	010001-	Wear Ring		100 mm		HIT-0254908	81.30
LOADER LEVEL	4219779	010001-	P-UB-10	115 mm	170 mm		HIT-4438758	341.07
	4219779	010001-	P-UB-10	115 mm	170 mm		HIT-4255531	341.07
LOADING SHOVEL	4344048	010001-	P-UB-10	65 mm	100 mm		HIT-4255533	133.92
	4344048	010001-	Bushing	65 mm			HIT-0657704	27.20
	4344048	010001-	Wear Ring		130 mm		HIT-0657706	113.13
MODEL ZX450-3, ZX450LC-3								
ARM	4637753	020001-	P-UB-10	130 mm	190 mm		HIT-4653041	350.94
	4637753	020001-	P-UB-10	130 mm	190 mm		HIT-4653041-EX	594.75
	4637753	020001-	Bushing	130 mm			HIT-0353004	85.79
	4637753	020001-	Wear Ring		190 mm		HIT-0242512	99.72
	4637753	020001-	Wear Ring		190 mm		HIT-0972305	51.74
BOOM LH	4637752	020001-	P-UB-10	115 mm	170 mm		HIT-4653040	299.74
	4637752	020001-	P-UB-10	115 mm	170 mm		HIT-4653040-EX	495.58
	4637752	020001-	Bushing	115 mm			HIT-0352704	60.50
	4637752	020001-	Wear Ring		170 mm		HIT-0259307	95.89
BOOM RH	4637752	020001-	Wear Ring		170 mm		HIT-0972106	28.74
	4637751	020001-	P-UB-10	115 mm	170 mm		HIT-4653040	299.74
	4637751	020001-	P-UB-10	115 mm	170 mm		HIT-4653040-EX	495.58
	4637751	020001-	Bushing	115 mm			HIT-0352704	60.50
BUCKET	4637751	020001-	Wear Ring		170 mm		HIT-0259307	95.89
	4637751	020001-	Wear Ring		170 mm		HIT-0972106	28.74
	4637754	020001-	P-UB-10	120 mm	170 mm		HIT-4653042	158.80
	4637754	020001-	P-UB-10	120 mm	170 mm		HIT-4653042-EX	350.86
BUCKET	4637754	020001-	Bushing	120 mm			HIT-0450506	58.61
	4637754	020001-	Wear Ring		170 mm		HIT-0259307	95.89
	4637754	020001-	Wear Ring		170 mm		HIT-0972106	28.74
	MODEL ZX470H-3, ZX470LCH-3							
ARM	4637753	020001-	P-UB-10	130 mm	190 mm		HIT-4653041	350.94
	4637753	020001-	P-UB-10	130 mm	190 mm		HIT-4653041-EX	594.75
	4637753	020001-	Bushing	130 mm			HIT-0353004	85.79
	4637753	020001-	Wear Ring		190 mm		HIT-0242512	99.72
	4637753	020001-	Wear Ring		190 mm		HIT-0972305	51.74
BOOM LH	4637752	020001-	P-UB-10	115 mm	170 mm		HIT-4653040	299.74
	4637752	020001-	P-UB-10	115 mm	170 mm		HIT-4653040-EX	495.58
	4637752	020001-	Bushing	115 mm			HIT-0352704	60.50
	4637752	020001-	Wear Ring		170 mm		HIT-0259307	95.89
BOOM RH	4637752	020001-	Wear Ring		170 mm		HIT-0972106	28.74
	4637751	020001-	P-UB-10	115 mm	170 mm		HIT-4653040	299.74
	4637751	020001-	P-UB-10	115 mm	170 mm		HIT-4653040-EX	495.58
	4637751	020001-	Bushing	115 mm			HIT-0352704	60.50
BUCKET	4637751	020001-	Wear Ring		170 mm		HIT-0259307	95.89

Hercules Sealing Products and original equipment Hitachi kits may not include the necessary wear rings for your cylinder rebuild.
 Kits with an -EX suffix will include these wear rings.
 Please ask your sales representative for a cross-reference if no -EX kit or complementary parts are listed.

HITACHI

HITACHI

Replacement Kits For

HITACHI

Excavators								
APPLICATION	CYL #	SERIAL #	CODE	ROD	BORE	Misc	KIT #	List \$
MODEL ZX470H-3, ZX470LCH-3								
BOOM RH	4637751	020001-	Wear Ring		170 mm		HIT-0972106	28.74
BUCKET	4637754	020001-	P-UB-10	120 mm	170 mm		HIT-4653042	158.80
	4637754	020001-	P-UB-10	120 mm	170 mm		HIT-4653042-EX	350.86
	4637754	020001-	Bushing	120 mm			HIT-0450506	58.61
	4637754	020001-	Wear Ring		170 mm		HIT-0259307	95.89
	4637754	020001-	Wear Ring		170 mm		HIT-0972106	28.74
MODEL ZX470LC-5B								
ARM	4712920		P-UB-10	130 mm	190 mm		HIT-4S00960	461.15
	4712920		P-UB-10	130 mm	190 mm		HIT-4S00960-EX	726.60
	4712920		Wear Ring		190 mm		HIT-0972305	51.74
	4712920		Wear Ring		190 mm		HIT-AT264245	52.88
BOOM LH	4698939		P-UB-10	115 mm	170 mm		HIT-4S00961	299.74
	4698939			115 mm	170 mm		HIT-4S00961-EX	495.58
	4698939		Wear Ring		170 mm		HIT-4S00858	28.74
	4698939		Wear Ring		170 mm		HIT-AT264248	95.89
BOOM RH	4698938		P-UB-10	115 mm	170 mm		HIT-4686432	504.91
BUCKET	FYA000048 97			120 mm	170 mm		HIT-4S00959	158.80
	FYA000048 97			120 mm	170 mm		HIT-4S00959-EX	350.86
	FYA000048 97		Wear Ring		170 mm		HIT-4S00858	28.74
	FYA000048 97		Wear Ring		170 mm		HIT-AT264248	95.89
THUMB	AT383284		I-UB-14	3	5		HIT-AT383285	344.72
MODEL ZX500LC-3								
ARM	4637753	020001-	P-UB-10	130 mm	190 mm		HIT-4653041	350.94
	4637753	020001-	P-UB-10	130 mm	190 mm		HIT-4653041-EX	594.75
	4637753	020001-	Bushing	130 mm			HIT-0353004	85.79
	4637753	020001-	Wear Ring		190 mm		HIT-0242512	99.72
	4637753	020001-	Wear Ring		190 mm		HIT-0972305	51.74
BOOM LH	4637752	020001-	P-UB-10	115 mm	170 mm		HIT-4653040	299.74
	4637752	020001-	P-UB-10	115 mm	170 mm		HIT-4653040-EX	495.58
	4637752	020001-	Bushing	115 mm			HIT-0352704	60.50
	4637752	020001-	Wear Ring		170 mm		HIT-0259307	95.89
	4637752	020001-	Wear Ring		170 mm		HIT-0972106	28.74
BOOM RH	4637751	020001-	P-UB-10	115 mm	170 mm		HIT-4653040	299.74
	4637751	020001-	P-UB-10	115 mm	170 mm		HIT-4653040-EX	495.58
	4637751	020001-	Bushing	115 mm			HIT-0352704	60.50
	4637751	020001-	Wear Ring		170 mm		HIT-0259307	95.89
	4637751	020001-	Wear Ring		170 mm		HIT-0972106	28.74
BUCKET	4637754	020001-	P-UB-10	120 mm	170 mm		HIT-4653042	158.80
	4637754	020001-	P-UB-10	120 mm	170 mm		HIT-4653042-EX	350.86
	4637754	020001-	Bushing	120 mm			HIT-0450506	58.61
	4637754	020001-	Wear Ring		170 mm		HIT-0259307	95.89
	4637754	020001-	Wear Ring		170 mm		HIT-0972106	28.74
MODEL ZX520LCH-3								
ARM	4637753	020001-	P-UB-10	130 mm	190 mm		HIT-4653041	350.94
	4637753	020001-	P-UB-10	130 mm	190 mm		HIT-4653041-EX	594.75
	4637753	020001-	Bushing	130 mm			HIT-0353004	85.79
	4637753	020001-	Wear Ring		190 mm		HIT-0242512	99.72
	4637753	020001-	Wear Ring		190 mm		HIT-0972305	51.74
BOOM LH	4637752	020001-	P-UB-10	115 mm	170 mm		HIT-4653040	299.74
	4637752	020001-	P-UB-10	115 mm	170 mm		HIT-4653040-EX	495.58
	4637752	020001-	Bushing	115 mm			HIT-0352704	60.50
	4637752	020001-	Wear Ring		170 mm		HIT-0259307	95.89

Hercules Sealing Products and original equipment Hitachi kits may not include the necessary wear rings for your cylinder rebuild.
Kits with an -EX suffix will include these wear rings.

Please ask your sales representative for a cross-reference if no -EX kit or complementary parts are listed.

Replacement Kits For

HITACHI

Excavators								
APPLICATION	CYL #	SERIAL #	CODE	ROD	BORE	Misc	KIT #	List \$
MODEL ZX520LCH-3								
BOOM LH	4637752	020001-	Wear Ring		170 mm		HIT-0972106	28.74
BOOM RH	4637751	020001-	P-UB-10	115 mm	170 mm		HIT-4653040	299.74
	4637751	020001-	P-UB-10	115 mm	170 mm		HIT-4653040-EX	495.58
	4637751	020001-	Bushing	115 mm			HIT-0352704	60.50
	4637751	020001-	Wear Ring		170 mm		HIT-0259307	95.89
	4637751	020001-	Wear Ring		170 mm		HIT-0972106	28.74
BUCKET	4637754	020001-	P-UB-10	120 mm	170 mm		HIT-4653042	158.80
	4637754	020001-	P-UB-10	120 mm	170 mm		HIT-4653042-EX	350.86
	4637754	020001-	Bushing	120 mm			HIT-0450506	58.61
	4637754	020001-	Wear Ring		170 mm		HIT-0259307	95.89
	4637754	020001-	Wear Ring		170 mm		HIT-0972106	28.74
MODEL ZX800								
BACKHOE ARM	4331077	006001-	P-UB-10	150 mm	215 mm		HIT-4436496	422.88
	4331077	006001-	P-UB-10	150 mm	215 mm		HIT-4436496-EX	838.41
	4331077	006001-	Wear Ring		215 mm		HIT-0702704	28.55
	4331077	006001-	Wear Ring		215 mm		HIT-0392306	106.05
	4456466	006001-	P-UB-10	160 mm	225 mm		HIT-4474521	326.10
	4456466	006001-	P-UB-10	160 mm	225 mm		HIT-4474521-EX	779.29
	4456466	006001-	Wear Ring		225 mm		HIT-0242714	206.57
	4456466	006001-	Wear Ring		225 mm		HIT-0831308	29.94
	BACKHOE BOOM LH	4331076	006001-	P-UB-10	140 mm	200 mm		HIT-4438684
BACKHOE BOOM RH	4331075	006001-	P-UB-10	140 mm	200 mm		HIT-4438684	620.34
BACKHOE BUCKET	4360555	006001-	P-UB-10	150 mm	215 mm		HIT-4436496	422.88
	4360555	006001-	P-UB-10	150 mm	215 mm		HIT-4436496-EX	838.41
	4360555	006001-	Wear Ring		215 mm		HIT-0392306	106.05
	4360555	006001-	Wear Ring		215 mm		HIT-0702704	28.55
	4397518	006001-	P-UB-10	120 mm	180 mm		HIT-4437965	517.21
	4437039	006001-	P-UB-10	140 mm	190 mm		HIT-4438693	407.04
	4437039	006001-	P-UB-10	140 mm	190 mm		HIT-4438693-EX	583.54
	4437039	006001-	Wear Ring		190 mm		HIT-0242512	99.72
	4437039	006001-	Wear Ring		190 mm		HIT-0420307	51.74
BOOM LH	4331076	006001-	P-UB-10	140 mm	200 mm	Backhoe	HIT-4660036	620.34
BOOM RH	4331075	006001-	P-UB-10	140 mm	200 mm	Backhoe	HIT-4660036	620.34
C/W LIFTING	4392996	006001-	P-UB-10	120 mm	170 mm		HIT-4405053	294.39
	4392996	006001-	P-UB-10	120 mm	170 mm		HIT-4405053-EX	416.62
	4392996	006001-	Wear Ring		170 mm		HIT-0259307	95.89
	4392996	006001-	Wear Ring		170 mm		HIT-0420109	28.74
LOADER ARM	4328130	006001-	P-UB-10	140 mm	200 mm		HIT-4291362	279.84
	4328130	006001-	P-UB-10	140 mm	200 mm		HIT-4291362-EX	1068.64
	4328130	006001-	Wear Ring		200 mm		HIT-4199817	97.93
	4328130	006001-	Wear Ring		200 mm		HIT-0340108	166.53
LOADER BUCKET LH	4328132	006001-	P-UB-10	130 mm	180 mm		HIT-4291368	383.42
	4328132	006001-	P-UB-10	130 mm	180 mm		HIT-4291368-EX	496.27
	4328132	006001-	Wear Ring		180 mm		HIT-0417609	42.01
	4328132	006001-	Wear Ring		180 mm		HIT-0332708	21.13
LOADER BUCKET RH	4328131	006001-	P-UB-10	130 mm	180 mm		HIT-4291368	383.42
	4328131	006001-	P-UB-10	130 mm	180 mm		HIT-4291368-EX	496.27
	4328131	006001-	Wear Ring		180 mm		HIT-0332708	21.13
	4328131	006001-	Wear Ring		180 mm		HIT-0417609	42.01
LOADER DUMP	4243502	006001-	P-UB-10	80 mm	130 mm		HIT-4314461	162.14
	4243502	006001-	P-UB-10	80 mm	130 mm		HIT-4314461-EX	288.82
	4243502	006001-	Wear Ring		130 mm		HIT-0254309	55.92
	4243502	006001-	Wear Ring		130 mm		HIT-0399306	21.73
LOADER LEVEL	4243498	006001-	P-UB-10	140 mm	200 mm		HIT-4291362	279.84
	4243498	006001-	P-UB-10	140 mm	200 mm		HIT-4291362-EX	1068.64

Hercules Sealing Products and original equipment Hitachi kits may not include the necessary wear rings for your cylinder rebuild.
Kits with an -EX suffix will include these wear rings.

Please ask your sales representative for a cross-reference if no -EX kit or complementary parts are listed.

HITACHI

Replacement Kits For

HITACHI

Excavators								
APPLICATION	CYL #	SERIAL #	CODE	ROD	BORE	Misc	KIT #	List \$
MODEL ZX800								
LOADER LEVEL	4243498	006001-	Wear Ring		200 mm		HIT-4199817	97.93
	4243498	006001-	Wear Ring		200 mm		HIT-0340108	166.53
MODEL ZX850H								
BACKHOE ARM	4331077	006001-	P-UB-10	150 mm	215 mm	STD Boom, BE Boom	HIT-4436496	422.88
	4331077	006001-	P-UB-10	150 mm	215 mm		HIT-4436496-EX	838.41
	4331077	006001-	Wear Ring		215 mm	STD Boom, BE Boom	HIT-0392306	106.05
	4331077	006001-	Wear Ring		215 mm	STD Boom, BE Boom	HIT-0702704	28.55
	4456466	006001-	P-UB-10	160 mm	225 mm	HD Boom	HIT-4474521	326.10
	4456466	006001-	P-UB-10	160 mm	225 mm		HIT-4474521-EX	779.29
	4456466	006001-	Wear Ring		225 mm	HD Boom	HIT-0831308	29.94
	4456466	006001-	Wear Ring		225 mm	HD Boom	HIT-0242714	206.57
BACKHOE BOOM LH	4331076	006001-	P-UB-10	140 mm	200 mm		HIT-4438684	620.34
	4331076	006001-	Wear Ring		200 mm		HIT-0645008	31.79
	4331076	006001-	Wear Ring		200 mm		HIT-4199817	97.93
BACKHOE BOOM RH	4331075	006001-	P-UB-10	140 mm	200 mm		HIT-4438684	620.34
	4331075	006001-	Wear Ring		200 mm		HIT-4199817	97.93
	4331075	006001-	Wear Ring		200 mm		HIT-0645008	31.79
BACKHOE BUCKET	4360555	006001-	P-UB-10	150 mm	215 mm	BE Boom, BE Arm	HIT-4436496	422.88
	4360555	006001-	P-UB-10	150 mm	215 mm		HIT-4436496-EX	838.41
	4360555	006001-	Wear Ring		215 mm	BE Boom, BE Arm	HIT-0392306	106.05
	4360555	006001-	Wear Ring		215 mm	BE Boom, BE Arm	HIT-0702704	28.55
	4397518	006001-	P-UB-10	120 mm	180 mm		HIT-4437965	517.21
	4397518	006001-	P-UB-10	120 mm	180 mm	Long Arm	HIT-4660108	517.21
	4397518	006001-	Wear Ring		180 mm	Long Arm	HIT-0332708	21.13
	4397518	006001-	Wear Ring		180 mm	Long Arm	HIT-0643015	42.01
	4432009	006001-	P-UB-10	120 mm	180 mm	Long Arm	HIT-4692136	572.34
	4432009	006001-	Wear Ring		180 mm	Long Arm	HIT-0332708	21.13
	4432009	006001-	Wear Ring		180 mm	Long Arm	HIT-0417609	42.01
	4437039	006001-	P-UB-10	140 mm	190 mm	STD Boom, HD Boom, Semi-long Arm	HIT-4438693	407.04
	4437039	006001-	P-UB-10	140 mm	190 mm		HIT-4438693-EX	583.54
	4437039	006001-	Wear Ring		190 mm	STD Boom, HD Boom, Semi-long Arm	HIT-0242512	99.72
	4437039	006001-	Wear Ring		190 mm	STD Boom, HD Boom, Semi-long Arm	HIT-0420307	51.74
	C/W LIFTING	4392996	006001-	P-UB-10	120 mm	170 mm		HIT-4405053
4392996		006001-	P-UB-10	120 mm	170 mm		HIT-4405053-EX	416.62
4392996		006001-	Wear Ring		170 mm		HIT-0420109	28.74
4392996		006001-	Wear Ring		170 mm		HIT-0259307	95.89
LOADER ARM	4328130	006001-	P-UB-10	140 mm	200 mm		HIT-4291362	279.84
	4328130	006001-	P-UB-10	140 mm	200 mm		HIT-4291362-EX	1068.64
	4328130	006001-	Wear Ring		200 mm		HIT-0340108	166.53
	4328130	006001-	Wear Ring		200 mm		HIT-4199817	97.93
LOADER BUCKET LH	4328132	006001-	P-UB-10	130 mm	180 mm		HIT-4291368	383.42
	4328132	006001-	P-UB-10	130 mm	180 mm		HIT-4291368-EX	496.27
	4328132	006001-	Wear Ring		180 mm		HIT-0417609	42.01
	4328132	006001-	Wear Ring		180 mm		HIT-0332708	21.13
LOADER BUCKET RH	4328131	006001-	P-UB-10	130 mm	180 mm		HIT-4291368	383.42

Hercules Sealing Products and original equipment Hitachi kits may not include the necessary wear rings for your cylinder rebuild. Kits with an -EX suffix will include these wear rings.

Please ask your sales representative for a cross-reference if no -EX kit or complementary parts are listed.

Replacement Kits For

HITACHI

Excavators								
APPLICATION	CYL #	SERIAL #	CODE	ROD	BORE	Misc	KIT #	List \$
MODEL ZX850H								
LOADER BUCKET RH	4328131	006001-	P-UB-10	130 mm	180 mm		HIT-4291368-EX	496.27
	4328131	006001-	Wear Ring		180 mm		HIT-0332708	21.13
	4328131	006001-	Wear Ring		180 mm		HIT-0417609	42.01
LOADER DUMP	4243502	006001-	P-UB-10	80 mm	130 mm		HIT-4314461	162.14
	4243502	006001-	P-UB-10	80 mm	130 mm		HIT-4314461-EX	288.82
	4243502	006001-	Wear Ring		130 mm		HIT-0254309	55.92
	4243502	006001-	Wear Ring		130 mm		HIT-0399306	21.73
LOADER LEVEL	4243498	006001-	P-UB-10	140 mm	200 mm		HIT-4291362	279.84
	4243498	006001-	P-UB-10	140 mm	200 mm		HIT-4291362-EX	1068.64
	4243498	006001-	Wear Ring		200 mm		HIT-0340108	166.53
	4243498	006001-	Wear Ring		200 mm		HIT-4199817	97.93
MODEL ZX870H-3								
ARM	4638083	020001-	P-UB-10	160 mm	225 mm		HIT-4653862	326.10
	4638083	020001-	P-UB-10	160 mm	225 mm		HIT-4653862-EX	779.29
	4638083	020001-	Wear Ring		225 mm		HIT-0978308	29.94
	4638083	020001-	Wear Ring		225 mm		HIT-0242714	206.57
BOOM LH	4638081	020001-	P-UB-10	150 mm	215 mm		HIT-4653861	426.64
	4638081	020001-	P-UB-10	150 mm	215 mm		HIT-4653861-EX	842.19
	4638081	020001-	Wear Ring		215 mm		HIT-0978106	28.55
	4638081	020001-	Wear Ring		215 mm		HIT-0392306	106.05
BOOM RH	4638080	020001-	P-UB-10	150 mm	215 mm		HIT-4653861	426.64
	4638080	020001-	P-UB-10	150 mm	215 mm		HIT-4653861-EX	842.19
	4638080	020001-	Wear Ring		215 mm		HIT-0978106	28.55
	4638080	020001-	Wear Ring		215 mm		HIT-0392306	106.05
BUCKET	4638084	020001-	P-UB-10	140 mm	200 mm		HIT-4653863	279.84
	4638084	020001-	P-UB-10	140 mm	200 mm		HIT-4653863-EX	528.19
	4638084	020001-	Wear Ring		200 mm		HIT-4199817	97.93
	4638084	020001-	Wear Ring		200 mm		HIT-0977906	31.79
Excavators - Compact								
APPLICATION	CYL #	SERIAL #	CODE	ROD	BORE	Misc	KIT #	List \$
MODEL EX50U								
ARM	4403510	000101-	P-U-10	50 mm	80 mm		HIT-0656714	137.02
BLADE	4391327	000101-	P-U-10	60 mm	110 mm		HIT-0654715	76.82
BOOM(CAB)	4409057	000101-		55 mm	95 mm		HIT-0735309	63.62
BOOM(CANOPY)	4412158	000101-		55 mm	95 mm		HIT-0735309	63.62
BUCKET	4403511	000101-		45 mm	75 mm		HIT-0735609	32.65
SWING	4392050	000101-	P-U-10	50 mm	100 mm		HIT-0656604	44.41
MODEL EX50UNA								
ARM	4403510	240001-	P-U-10	50 mm	80 mm		HIT-0656714	137.02
BLADE	4391327	240001-	P-U-10	60 mm	110 mm		HIT-0654715	76.82
BOOM	4409057	240001-		55 mm	95 mm		HIT-0735309	63.62
BUCKET	4403511	240001-		45 mm	75 mm		HIT-0735609	32.65
SWING	4392050	240001-	P-U-10	50 mm	100 mm		HIT-0656604	44.41
MODEL EX50UR								
ARM	4245654	000101-		55 mm	90 mm		HIT-4265822	151.79
BLADE	4261898	000101-		60 mm	115 mm		HIT-4265824	151.26
BOOM	4245653	000101-	P-UB-10	65 mm	115 mm		HIT-4265821	140.55
BUCKET	4245655	000101-	P-UB-10	50 mm	80 mm		HIT-4265823	164.96
OFFSET	4245656	000101-	P-U-10	50 mm	90 mm		HIT-4269765	138.85
MODEL EX55UR								
ARM	4316317	000101-		55 mm	90 mm		HIT-4340250	50.16
BLADE	4316320	000101-	P-U-10	70 mm	110 mm		HIT-4340274	100.32
BOOM	4316316	000101-		60 mm	110 mm		HIT-4340243	104.76
BUCKET	4316318	000101-	P-U-10	50 mm	80 mm		HIT-4340253	58.52
OFFSET	4316319	000101-		50 mm	90 mm		HIT-4340256	43.36

Hercules Sealing Products and original equipment Hitachi kits may not include the necessary wear rings for your cylinder rebuild.
 Kits with an -EX suffix will include these wear rings.
 Please ask your sales representative for a cross-reference if no -EX kit or complementary parts are listed.

HITACHI

Replacement Kits For

HITACHI

Excavators - Compact								
APPLICATION	CYL #	SERIAL #	CODE	ROD	BORE	Misc	KIT #	List \$
MODEL EX55UR-3								
ARM	4418001	005001-		55 mm	85 mm		HIT-0732808	51.46
BLADE	4403515	005001-	P-U-10	65 mm	110 mm		HIT-0733106	55.13
BOOM	4413855	005001-	P-U-10	60 mm	105 mm		HIT-0732708	64.79
BUCKET	4403662	005001-	P-U-10	50 mm	80 mm		HIT-0732905	63.74
OFFSET	4403663	005001-		50 mm	90 mm		HIT-0733003	53.69
MODEL UH07-3								
ARM			P-UB-5	85 mm	125 mm		HIT-4094458	301.95
BOOM			P-UB-5	85 mm	125 mm		HIT-4094457	280.82
BUCKET			I-U-5	70 mm	125 mm		HIT-4071694	172.17
MODEL UH07-5								
ARM			P-UB-5	90 mm	130 mm		HIT-4104127	360.12
BOOM			P-UB-5	85 mm	125 mm		HIT-4117741	299.05
BUCKET			P-UB-5	75 mm	125 mm		HIT-4117743	313.89
MODEL UH07-7								
ARM			P-UB-10	100 mm	140 mm		HIT-4153211	334.76
BOOM			P-UB-10	90 mm	130 mm		HIT-4153209	228.49
BUCKET			P-UB-10	80 mm	125 mm		HIT-4153213	296.31
MODEL UH009								
ARM			I-U-5	95 mm	150 mm		HIT-4064636	330.69
BOOM			I-U-5	90 mm	150 mm		HIT-4064635	212.17
BUCKET			I-U-5	90 mm	150 mm		HIT-4064635	212.17
MODEL UH010								
ARM			P-UB-5	105 mm	150 mm		HIT-4096959	489.41
BOOM			P-UB-5	95 mm	150 mm		HIT-4096957	309.87
BUCKET			P-UB-5	95 mm	150 mm		HIT-4096960	308.15
MODEL UH012								
ARM			P-U-5	110 mm	180 mm		HIT-4509364	607.90
BOOM			P-U-5	110 mm	180 mm		HIT-4509364	607.90
BUCKET			P-U-5	120 mm	180 mm		HIT-4509365	615.27
MODEL UH016								
ARM	3022991	005-009;053-069	P-UB-5	110 mm	170 mm		HIT-4153235	662.92
	3027628	001-165	P-UB-5	120 mm	190 mm		HIT-4162027	750.45
	3031888	166-	P-UB-10	120 mm	190 mm		HIT-4176980	448.06
	4167618	001-004;010-052;070-	P-UB-10	110 mm	170 mm		HIT-4167722	407.05
BOOM LH	3026175		P-UB-5	110 mm	170 mm	Old Style	HIT-4162026	703.58
	4167617		P-UB-10	110 mm	170 mm	New Style	HIT-4167721	414.93
BOOM RH	3026114		P-UB-5	110 mm	170 mm	Old Style	HIT-4162026	703.58
	4167616		P-UB-10	110 mm	170 mm	New Style	HIT-4167721	414.93
BUCKET	3026115	001-145	P-UB-5	110 mm	170 mm		HIT-4162028	702.32
	3027022	001-	P-UB-5	95 mm	150 mm		HIT-4150681	456.02
	3031889	146-	P-UB-10	110 mm	170 mm		HIT-4167721	414.93
DUMP	3024187	001-	P-UB-5	55 mm	100 mm		HIT-4144635	382.67
LEVEL	3025213	001-	P-UB-5	110 mm	170 mm		HIT-4153237	604.09
MODEL UH035								
ARM	4157138	002-	P-U-10	150 mm	225 mm		HIT-4163898	471.10
BOOM	4157139	002-	P-U-10	160 mm	240 mm		HIT-4163899	543.08
DUMP	4157143	002-	P-U-10	80 mm	140 mm		HIT-4163901	230.69
LEVEL	4157142	002-	P-U-10	160 mm	240 mm		HIT-4163899	543.08
TILT LH	4157141	002-	P-U-10	140 mm	190 mm		HIT-4163900	383.05
TILT RH	4157140	002-	P-U-10	140 mm	190 mm		HIT-4163900	383.05
MODEL UH045, UH061								
ARM			I-U-5	80 mm	130 mm		HIT-4101443	223.31
BOOM			I-U-5	70 mm	120 mm		HIT-4101442	169.29
BUCKET			I-U-5	70 mm	120 mm		HIT-4101442	169.29

Hercules Sealing Products and original equipment Hitachi kits may not include the necessary wear rings for your cylinder rebuild. Kits with an -EX suffix will include these wear rings.

Please ask your sales representative for a cross-reference if no -EX kit or complementary parts are listed.

Replacement Kits For

HITACHI

Excavators - Compact								
APPLICATION	CYL #	SERIAL #	CODE	ROD	BORE	Misc	KIT #	List \$
MODEL ZX35U-2								
ARM	4632807	010001-	P-U-10	45 mm	75 mm		HIT-4634034	127.55
BLADE	4617784	010001-	P-U-14	45 mm	95 mm		HIT-4622066	186.76
BOOM	4632805	010001-	P-U-10	50 mm	85 mm		HIT-4634033	139.05
	4632806	010001-	P-U-10	50 mm	85 mm		HIT-4634033	139.05
BUCKET	4608466	010001-	P-U-10	40 mm	65 mm		HIT-4614058	163.90
SWING	4608470	010001-	P-U-10	45 mm	85 mm		HIT-4614059	165.02
MODEL ZX50U								
ANGLE	4428237	005001-007000	P-U-10	45 mm	80 mm		HIT-0797805	43.11
ARM	4468846	005001-	P-U-10	50 mm	80 mm		HIT-0843613	80.56
BLADE	4468880	005001-007000	P-U-10	55 mm	100 mm		HIT-0843907	122.77
	4618628	0070001-	P-U-14	50 mm	105 mm		HIT-4622067	163.82
BOOM(CAB)	4468845	005001-	P-U-10	55 mm	95 mm		HIT-0844807	63.09
BOOM(CANOPY)	4468844	005001-	P-U-10	55 mm	95 mm		HIT-0844807	63.09
BUCKET	4468847	005001-	P-U-10	45 mm	75 mm		HIT-0844705	90.14
SWING	4463353	005001-	P-U-10	50 mm	100 mm		HIT-0843808	99.22
TILT	4428236	005001-007000	P-U-10	65 mm	110 mm		HIT-0854418	80.07
MODEL ZX50U-2								
ARM	4632810	010001-	P-U-10	50 mm	80 mm		HIT-4634036	130.37
	4632813	010001-	P-U-10	50 mm	80 mm		HIT-4634036	130.37
BLADE	4618628	010001-	P-U-14	50 mm	105 mm		HIT-4622067	163.82
BOOM	4628947	010001-	P-U-10	45 mm	75 mm		HIT-4614069	107.42
BOOM(CAB)	4632809	010001-	P-UB-10	55 mm	90 mm		HIT-4634035	61.39
	4632812	010001-		55 mm	95 mm		HIT-4634038	75.90
BOOM(CANOPY)	4632808	010001-	P-UB-10	55 mm	90 mm		HIT-4634035	61.39
	4632811	010001-		55 mm	95 mm		HIT-4634038	75.90
BUCKET	4628945	010001-		40 mm	70 mm		HIT-4634037	50.68
	4628947	010001-	P-U-10	45 mm	75 mm		HIT-4614069	107.42
SWING	4616034	010001-		50 mm	90 mm		HIT-4635157	52.39
MODEL ZX50U-3								
ARM	4632813	020001-	P-U-10	50 mm	80 mm		HIT-4634036	130.37
ARM(ML)	4627233	020001-	P-U-10	50 mm	80 mm		HIT-4634036	130.37
BLADE	4618628	020001-	P-U-14	50 mm	105 mm		HIT-4622067	163.82
BOOM(CAB ML)	4655766	020001-		55 mm	95 mm		HIT-4634038	75.90
BOOM(CAB)	4655764	020001-		55 mm	95 mm		HIT-4634038	75.90
BOOM(CANOPY ML)	4655765	020001-		55 mm	95 mm		HIT-4634038	75.90
BOOM(CANOPY)	4655763	020001-		55 mm	95 mm		HIT-4634038	75.90
BUCKET(WITH COVER)	4667781	020001-	P-U-10	45 mm	75 mm		HIT-4614069	107.42
BUCKET(WITHOUT COVER)	4628947	020001-	P-U-10	45 mm	75 mm		HIT-4614069	107.42
SWING	4679054	020001-		50 mm	90 mm		HIT-4705345	151.51
MODEL ZX50U-3F								
ARM	4632813	020001-	P-U-10	50 mm	80 mm		HIT-4634036	130.37
ARM(ML)	4627233	020001-	P-U-10	50 mm	80 mm		HIT-4634036	130.37
BLADE	4618628	020001-	P-U-14	50 mm	105 mm		HIT-4622067	163.82
BOOM(CAB ML)	4655766	020001-		55 mm	95 mm		HIT-4634038	75.90
BOOM(CAB)	4655764	020001-		55 mm	95 mm		HIT-4634038	75.90
BOOM(CANOPY ML)	4655765	020001-		55 mm	95 mm		HIT-4634038	75.90
BOOM(CANOPY)	4655763	020001-		55 mm	95 mm		HIT-4634038	75.90
BUCKET(WITH COVER)	4667781	020001-	P-U-10	45 mm	75 mm		HIT-4614069	107.42
BUCKET(WITHOUT COVER)	4628947	020001-	P-U-10	45 mm	75 mm		HIT-4614069	107.42
SWING	4679054	020001-		50 mm	90 mm		HIT-4705345	151.51
MODEL ZX50U-3U								
ARM	4632813	020001-	P-U-10	50 mm	80 mm		HIT-4634036	130.37
ARM(ML)	4627233	020001-	P-U-10	50 mm	80 mm		HIT-4634036	130.37
BLADE	4618628	020001-	P-U-14	50 mm	105 mm		HIT-4622067	163.82

Hercules Sealing Products and original equipment Hitachi kits may not include the necessary wear rings for your cylinder rebuild.
Kits with an -EX suffix will include these wear rings.

Please ask your sales representative for a cross-reference if no -EX kit or complementary parts are listed.

HITACHI

Replacement Kits For

Excavators - Compact								
APPLICATION	CYL #	SERIAL #	CODE	ROD	BORE	Misc	KIT #	List \$
MODEL ZX50U-3U								
BOOM(CAB ML)	4655766	020001-		55 mm	95 mm		HIT-4634038	75.90
BOOM(CAB)	4655764	020001-		55 mm	95 mm		HIT-4634038	75.90
BOOM(CANOPY ML)	4655765	020001-		55 mm	95 mm		HIT-4634038	75.90
BOOM(CANOPY)	4655763	020001-		55 mm	95 mm		HIT-4634038	75.90
BUCKET(WITH COVER)	4667781	020001-	P-U-10	45 mm	75 mm		HIT-4614069	107.42
BUCKET(WITHOUT COVER)	4628947	020001-	P-U-10	45 mm	75 mm		HIT-4614069	107.42
SWING	4679054	020001-		50 mm	90 mm		HIT-4705345	151.51
MODEL ZX60								
ARM	4665900	00100001-	P-UB-10	55 mm	85 mm		HIT-4681368	128.48
BOOM	4665903	00100001-	P-UB-10	60 mm	105 mm		HIT-4681367	121.51
BUCKET	4665902	00100001-	P-UB-10	50 mm	80 mm		HIT-4681369	115.34
MODEL ZX70, ZX70LC								
ARM	4388224	060001-	P-UB-10	60 mm	95 mm	Offset Boom	HIT-4415584	167.83
	4388224	060001-	P-UB-10	60 mm	95 mm	Offset Boom	HIT-4415584-EX	235.50
	4388224	060001-	Wear Ring		95 mm	Offset Boom	HIT-0333007	26.67
	4446255	060001-	P-UB-10	60 mm	95 mm	Mono Boom, Swing Boom	HIT-4464985	140.04
	4446255	060001-	P-UB-10	60 mm	95 mm	Mono Boom, Swing Boom	HIT-4464985-EX	195.07
	4446255	060001-	Wear Ring		95 mm	Mono Boom, Swing Boom	HIT-0667108	8.01
	4458862	060001-	P-UB-10	60 mm	95 mm	Mono Boom, Swing Boom	HIT-4464985	140.04
	4458862	060001-	P-UB-10	60 mm	95 mm	Mono Boom, Swing Boom	HIT-4464985-EX	195.07
	4458862	060001-	Wear Ring		95 mm	Mono Boom, Swing Boom	HIT-0667108	8.01
BLADE	4452571	060001-	P-UB-10	70 mm	120 mm		HIT-4465736	156.34
	4452571	060001-	P-UB-10	70 mm	120 mm		HIT-4465736-EX	246.52
	4452571	060001-	Bushing	70 mm			HIT-0310304	29.53
	4452571	060001-	Wear Ring		120 mm		HIT-0667206	8.89
BOOM	4446254	060001-	P-UB-10	65 mm	115 mm	Mono Boom, Swing Boom	HIT-4464984	175.70
	4446254	060001-	P-UB-10	65 mm	115 mm	Mono Boom, Swing Boom	HIT-4464984-EX	219.03
	4446254	060001-	Bushing	65 mm		Mono Boom, Swing Boom	HIT-0310604	26.16
	4446254	060001-	Wear Ring		115 mm	Mono Boom, Swing Boom	HIT-0686405	8.71
	4612822	060001-	P-UB-10	65 mm	115 mm	Swing Boom	HIT-4464984	175.70
	4612822	060001-	P-UB-10	65 mm	115 mm	Swing Boom	HIT-4464984-EX	219.03
	4612822	060001-	Wear Ring		115 mm	Swing Boom	HIT-0686405	8.71
	4612822	060001-	Wear Ring		115 mm	Swing Boom	HIT-0686405	8.71
BUCKET	4446258	060001-	P-UB-10	55 mm	85 mm		HIT-4464986	134.00
	4446258	060001-	P-UB-10	55 mm	85 mm		HIT-4464986-EX	221.36
	4446258	060001-	Wear Ring		85 mm		HIT-0827011	33.01
MODEL ZX80, ZX80LCK, ZX80SB, ZX80SBLC								
ARM	4388224	060001-	P-UB-10	60 mm	95 mm	Offset Boom	HIT-4415584	167.83
	4388224	060001-	P-UB-10	60 mm	95 mm	Offset Boom	HIT-4415584-EX	235.50
	4388224	060001-	Wear Ring		95 mm	Offset Boom	HIT-0333007	26.67
	4446255	060001-	P-UB-10	60 mm	95 mm	Mono Boom, Swing Boom	HIT-4464985	140.04
	4446255	060001-	P-UB-10	60 mm	95 mm	Mono Boom, Swing Boom	HIT-4464985-EX	195.07
	4446255	060001-	Wear Ring		95 mm	Mono Boom, Swing Boom	HIT-0667108	8.01
	4458862	060001-	P-UB-10	60 mm	95 mm	Mono Boom, Swing Boom	HIT-4464985	140.04
	4458862	060001-	P-UB-10	60 mm	95 mm	Mono Boom, Swing Boom	HIT-4464985	140.04

Hercules Sealing Products and original equipment Hitachi kits may not include the necessary wear rings for your cylinder rebuild. Kits with an -EX suffix will include these wear rings.

Please ask your sales representative for a cross-reference if no -EX kit or complementary parts are listed.

Replacement Kits For

HITACHI

Excavators - Compact								
APPLICATION	CYL #	SERIAL #	CODE	ROD	BORE	Misc	KIT #	List \$
MODEL ZX80, ZX80LCK, ZX80SB, ZX80SBLC								
ARM	4458862	060001-	P-UB-10	60 mm	95 mm	Mono Boom, Swing Boom	HIT-4464985-EX	195.07
	4458862	060001-	Wear Ring		95 mm	Mono Boom, Swing Boom	HIT-0667108	8.01
BLADE	4452571	060001-	P-UB-10	70 mm	120 mm		HIT-4465736	156.34
	4452571	060001-	P-UB-10	70 mm	120 mm		HIT-4465736-EX	246.52
	4452571	060001-	Bushing	70 mm			HIT-0310304	29.53
	4452571	060001-	Wear Ring		120 mm		HIT-0667206	8.89
BOOM	4446254	060001-	P-UB-10	65 mm	115 mm	Mono Boom, Swing Boom	HIT-4464984	175.70
	4446254	060001-	P-UB-10	65 mm	115 mm	Mono Boom, Swing Boom	HIT-4464984-EX	219.03
	4446254	060001-	Bushing	65 mm		Mono Boom, Swing Boom	HIT-0310604	26.16
	4446254	060001-	Wear Ring		115 mm	Mono Boom, Swing Boom	HIT-0686405	8.71
	4612822	060001-	P-UB-10	65 mm	115 mm	Swing Boom	HIT-4464984	175.70
	4612822	060001-	P-UB-10	65 mm	115 mm	Swing Boom	HIT-4464984-EX	219.03
	4612822	060001-	Wear Ring		115 mm	Swing Boom	HIT-0686405	8.71
	4446258	060001-	P-UB-10	55 mm	85 mm		HIT-4464986	134.00
BUCKET	4446258	060001-	P-UB-10	55 mm	85 mm		HIT-4464986-EX	221.36
	4446258	060001-	Wear Ring		85 mm		HIT-0827011	33.01
Loaders - Wheel								
APPLICATION	CYL #	SERIAL #	CODE	ROD	BORE	Misc	KIT #	List \$
MODEL LX100								
BOOM	AH143717		P-UB-1	63 mm			HIT-RE25151	144.81
	AH143717		N-N-14		125 mm		HIT-AH137208	173.79
BUCKET	AH136538		P-UB-1	63 mm			HIT-RE25151	144.81
	AH136538		N-N-14		140 mm		HIT-AH137209	192.09
Off-Highway Trucks								
APPLICATION	CYL #	SERIAL #	CODE	ROD	BORE	Misc	KIT #	List \$
MODEL EH1600								
HOIST				4, 7			VME-12619709	1556.55
SUSPENSION REAR			I-UB-11	6	8		EUC-E12631739	1587.40

Hercules Sealing Products and original equipment Hitachi kits may not include the necessary wear rings for your cylinder rebuild.
Kits with an -EX suffix will include these wear rings.

Please ask your sales representative for a cross-reference if no -EX kit or complementary parts are listed.

REPLACEMENT KITS FOR HITACHI

Part Number	Code (Pg. xiv)	Rod X Bore Size	List Price
HIT-0654715	P-U-10	60 X 110 mm	\$76.82
HIT-0656604	P-U-10	50 X 100 mm	44.41
HIT-0656714		50 X 80 mm	137.02
HIT-0732708	P-U-10	60 X 105 mm	64.79
HIT-0732808		55 X 85 mm	51.46
HIT-0732905	P-U-10	50 X 80 mm	63.74
HIT-0733003		50 X 90 mm	53.69
HIT-0733106	P-U-10	65 X 110 mm	55.13
HIT-0735309	P-U-10	55 X 95 mm	63.62
HIT-0735609	P-U-10	45 X 75 mm	32.65
HIT-0797805	P-U-10	45 X 80 mm	43.11
HIT-0843613	P-U-10	50 X 80 mm	80.56
HIT-0843808	P-U-10	50 X 100 mm	99.22
HIT-0843907	P-U-10	55 X 100 mm	122.77
HIT-0844705	P-U-10	45 X 75 mm	90.14
HIT-0844807	P-U-10	55 X 95 mm	63.09
HIT-0847204	P-U-10	40 X 75 mm	109.93
HIT-0850309	P-U-10	45 X 80 mm	127.58
HIT-0854418	P-U-10	65 X 110 mm	80.07
HIT-1102306	P-UB-10	80 X 115 mm	135.77
HIT-4064635	I-U-5	90 X 150 mm	212.17
HIT-4064636	I-U-5	95 X 150 mm	330.69
HIT-4071694	I-U-5	70 X 125 mm	172.17
HIT-4094457	P-UB-5	85 X 125 mm	280.82
HIT-4094458	P-UB-5	85 X 125 mm	301.95
HIT-4094852	P-UB-5	110 X 170 mm	649.68
HIT-4096957	P-UB-5	95 X 150 mm	309.87
HIT-4096958	P-UB-5	105 X 150 mm	433.14
HIT-4096959	P-UB-5	105 X 150 mm	489.41
HIT-4096960	P-UB-5	95 X 150 mm	308.15
HIT-4101392	P-UB-5	120 X 190 mm	682.98
HIT-4101442	I-U-5	70 X 120 mm	169.29
HIT-4101443	I-U-5	80 X 130 mm	223.31
HIT-4104127	P-UB-5	90 X 130 mm	360.12
HIT-4117741	P-UB-5	85 X 125 mm	299.05
HIT-4117743	P-UB-5	75 X 125 mm	313.89
HIT-4117745	P-UB-5	95 X 150 mm	369.30
HIT-4117746	P-UB-5	105 X 150 mm	491.51
HIT-4122039	P-UB-5	95 X 150 mm	392.51
HIT-4122040	P-UB-5	105 X 150 mm	511.15

Part Number	Code (Pg. xiv)	Rod X Bore Size	List Price
HIT-4124367	P-UB-5	140 X 200 mm	\$1,071.03
HIT-4125182	P-UB-5	95 X 150 mm	387.21
HIT-4125183	P-UB-5	105 X 150 mm	677.50
HIT-4144635	P-UB-5	55 X 100 mm	382.67
HIT-4150681	P-UB-5	95 X 150 mm	456.02
HIT-4153203	P-UB-5	85 X 125 mm	421.29
HIT-4153205	P-UB-5	100 X 140 mm	354.73
HIT-4153207	P-UB-5	80 X 125 mm	317.37
HIT-4153209	P-UB-10	90 X 130 mm	228.49
HIT-4153211	P-UB-10	100 X 140 mm	334.76
HIT-4153213	P-UB-10	80 X 125 mm	296.31
HIT-4153235	P-UB-5	110 X 170 mm	662.92
HIT-4153236	P-UB-5	110 X 150 mm	463.62
HIT-4153237	P-UB-5	110 X 170 mm	604.09
HIT-4162026	P-UB-5	110 X 170 mm	703.58
HIT-4162027	P-UB-5	120 X 190 mm	750.45
HIT-4162028	P-UB-5	110 X 170 mm	702.32
HIT-4163569	P-UB-10	105 X 150 mm	274.68
HIT-4163573	P-UB-10	95 X 150 mm	339.08
HIT-4163898	P-U-10	150 X 225 mm	471.10
HIT-4163899	P-U-10	160 X 240 mm	543.08
HIT-4163900	P-U-10	140 X 190 mm	383.05
HIT-4163901	P-U-10	80 X 140 mm	230.69
HIT-4167721	P-UB-10	110 X 170 mm	414.93
HIT-4167722	P-UB-10	110 X 170 mm	407.05
HIT-4167724	P-UB-10	110 X 140 mm	402.13
HIT-4171990	P-UB-10	160 X 240 mm	1,004.85
HIT-4171991	P-UB-10	150 X 225 mm	867.74
HIT-4171992	P-UB-10	140 X 190 mm	594.98
HIT-4171993	P-UB-10	80 X 140 mm	427.06
HIT-4176980	P-UB-10	120 X 190 mm	448.06
HIT-4179470	P-UB-10	95 X 150 mm	339.63
HIT-4203830	P-UB-14	90 X 135 mm	281.10
HIT-4203831	P-UB-14	100 X 145 mm	304.92
HIT-4206018	P-UB-10	85 X 125 mm	244.44
HIT-4206019	P-UB-10	95 X 135 mm	361.01
HIT-4206020	P-UB-10	80 X 120 mm	271.86
HIT-4206340	P-UB-10	70 X 95 mm	190.89
HIT-4206340-EX	P-UB-10	70 X 95 mm	255.28
HIT-4206343	P-UB-10	75 X 105 mm	187.36

REPLACEMENT KITS FOR HITACHI

HITACHI

Part Number	Code (Pg. xiv)	Rod X Bore Size	List Price
HIT-4206343-EX	P-UB-10	75 X 105 mm	\$567.20
HIT-4206344	P-UB-10	80 X 115 mm	200.35
HIT-4206345	P-UB-10	65 X 95 mm	168.61
HIT-4206345-EX	P-UB-10	65 X 95 mm	232.82
HIT-4210676	P-UB-10	130 X 225 mm	991.95
HIT-4214722	P-UB-10	85 X 135 mm	253.83
HIT-4216264P	P-UB-10	85 X 120 mm	310.90
HIT-4221872	P-UB-10	110 X 190 mm	686.74
HIT-4223636	P-UB-10	35 X 65 mm	151.19
HIT-4236057	P-UB-10	115 X 170 mm	429.14
HIT-4236058	P-UB-10	130 X 190 mm	464.51
HIT-42464123	P-U-10	70 X 120 mm	152.79
HIT-4254041	P-UB-10	140 X 200 mm	486.72
HIT-4254042	P-UB-10	150 X 215 mm	558.34
HIT-4255531	P-UB-10	115 X 170 mm	341.07
HIT-4255532	P-UB-10	115 X 150 mm	322.69
HIT-4255533	P-UB-10	65 X 100 mm	133.92
HIT-4256119	P-UB-10	130 X 190 mm	459.76
HIT-4265821	P-UB-10	65 X 115 mm	140.55
HIT-4265822		55 X 90 mm	151.79
HIT-4265823	P-UB-10	50 X 80 mm	164.96
HIT-4265824		60 X 115 mm	151.26
HIT-4266596	P-UB-10	150 X 215 mm	558.34
HIT-4269765	P-U-10	50 X 90 mm	138.85
HIT-4286459	P-UB-10	70 X 105 mm	168.15
HIT-4286459-EX	P-UB-10	70 X 105 mm	555.63
HIT-4286463	P-UB-10	80 X 110 mm	225.31
HIT-4286739	P-UB-10	65 X 95 mm	185.88
HIT-4286739-EX	P-UB-10	65 X 95 mm	347.01
HIT-4286774	P-UB-10	85 X 120 mm	268.48
HIT-4286774-EX	P-UB-10	85 X 120 mm	479.38
HIT-4286780	P-UB-10	95 X 130 mm	277.80
HIT-4286780-EX	P-UB-10	95 X 130 mm	508.67
HIT-4286784	P-UB-10	75 X 110 mm	202.81
HIT-4286784-EX	P-UB-10	75 X 110 mm	480.22
HIT-4291362	P-UB-10	140 X 200 mm	279.84
HIT-4291362-EX	P-UB-10	140 X 200 mm	1,068.64
HIT-4291368	P-UB-10	130 X 180 mm	383.42
HIT-4291368-EX	P-UB-10	130 X 180 mm	496.27
HIT-4314461	P-UB-10	80 X 130 mm	162.14

Part Number	Code (Pg. xiv)	Rod X Bore Size	List Price
HIT-4314461-EX	P-UB-10	80 X 130 mm	\$288.82
HIT-4320954	P-UB-10	95 X 150 mm	262.99
HIT-4320990	P-UB-10	70 X 105 mm	207.08
HIT-4320993	P-UB-10	80 X 110 mm	153.03
HIT-4320993-EX	P-UB-10	80 X 110 mm	405.29
HIT-4320994	P-UB-10	65 X 95 mm	406.04
HIT-4324009	P-U-10	60 X 110 mm	261.58
HIT-4340243	P-U-10	60 X 110 mm	104.76
HIT-4340250		55 X 90 mm	50.16
HIT-4340253	P-U-10	50 X 80 mm	58.52
HIT-4340256		50 X 90 mm	43.36
HIT-4340274	P-U-10	70 X 110 mm	100.32
HIT-4340620	P-UB-10	115 X 170 mm	564.76
HIT-4340621	P-UB-10	130 X 190 mm	651.16
HIT-4352346	P-U-10	40 X 75 mm	51.66
HIT-4352354	P-U-10	45 X 85 mm	49.22
HIT-4352357	P-U-10	45 X 90 mm	51.08
HIT-4363078	P-U-10	65 X 130 mm	177.61
HIT-4364912	P-UB-10	70 X 105 mm	134.54
HIT-4364912-EX	P-UB-10	70 X 105 mm	232.08
HIT-4364913	P-UB-10	80 X 110 mm	161.19
HIT-4364913-EX	P-UB-10	80 X 110 mm	257.75
HIT-4364914	P-UB-10	65 X 95 mm	406.04
HIT-4364915	P-UB-10	85 X 120 mm	271.97
HIT-4364915-EX	P-UB-10	85 X 120 mm	383.95
HIT-4364916	P-UB-10	95 X 130 mm	343.22
HIT-4364916-EX	P-UB-10	95 X 130 mm	463.84
HIT-4369766	P-UB-10	65 X 95 mm	151.83
HIT-4369766-EX	P-UB-10	65 X 95 mm	241.15
HIT-4369767	P-UB-10	65 X 100 mm	159.49
HIT-4369890	P-UB-10	75 X 110 mm	234.32
HIT-4369890-EX	P-UB-10	75 X 110 mm	396.91
HIT-4369892	P-UB-10	80 X 110 mm	153.03
HIT-4369892-EX	P-UB-10	80 X 110 mm	405.29
HIT-4369893P	P-UB-10	80 X 115 mm	251.27
HIT-4369901	P-UB-10	85 X 120 mm	260.46
HIT-4369902	P-UB-10	85 X 125 mm	416.16
HIT-4369914	P-UB-10	95 X 130 mm	333.23
HIT-4369943	P-UB-10	105 X 145 mm	362.45
HIT-4369943-EX	P-UB-10	105 X 145 mm	442.02

REPLACEMENT KITS FOR HITACHI

Part Number	Code (Pg. xiv)	Rod X Bore Size	List Price
HIT-4379260	P-UB-10	70 X 95 mm	\$127.98
HIT-4379260-EX	P-UB-10	70 X 95 mm	221.68
HIT-4379261	P-UB-10	75 X 105 mm	140.65
HIT-4379261-EX	P-UB-10	75 X 105 mm	238.16
HIT-4388027	P-UB-10	70 X 100 mm	442.43
HIT-4389719	P-UB-10	80 X 110 mm	281.10
HIT-4389720	P-UB-10	85 X 115 mm	318.81
HIT-4389721	P-UB-10	75 X 105 mm	207.19
HIT-4405053	P-UB-10	120 X 170 mm	294.39
HIT-4405053-EX	P-UB-10	120 X 170 mm	416.62
HIT-4415584	P-UB-10	60 X 95 mm	167.83
HIT-4415584-EX	P-UB-10	60 X 95 mm	235.50
HIT-4436496	P-UB-10	150 X 215 mm	422.88
HIT-4436496-EX	P-UB-10	150 X 215 mm	838.41
HIT-4437965	P-UB-10	120 X 180 mm	517.21
HIT-4438672	P-UB-10	115 X 170 mm	494.19
HIT-4438672-EX	P-UB-10	115 X 170 mm	779.14
HIT-4438679	P-UB-10	130 X 190 mm	418.00
HIT-4438679-EX	P-UB-10	130 X 190 mm	758.05
HIT-4438681	P-UB-10	120 X 170 mm	309.46
HIT-4438681-EX	P-UB-10	120 X 170 mm	594.45
HIT-4438684	P-UB-10	140 X 200 mm	620.34
HIT-4438693	P-UB-10	140 X 190 mm	407.04
HIT-4438693-EX	P-UB-10	140 X 190 mm	583.54
HIT-4438758	P-UB-10	115 X 170 mm	341.07
HIT-4448395	P-UB-10	70 X 105 mm	221.41
HIT-4448395-EX	P-UB-10	70 X 105 mm	480.49
HIT-4448396	P-UB-10	80 X 115 mm	267.14
HIT-4448396-EX	P-UB-10	80 X 115 mm	365.90
HIT-4448397	P-UB-10	70 X 100 mm	212.98
HIT-4448397-EX	P-UB-10	70 X 100 mm	375.05
HIT-4448398	P-UB-10	85 X 120 mm	234.11
HIT-4448398-EX	P-UB-10	85 X 120 mm	361.31
HIT-4448399	P-UB-10	95 X 135 mm	294.78
HIT-4448399-EX	P-UB-10	95 X 135 mm	418.87
HIT-4448400	P-UB-10	80 X 115 mm	223.35
HIT-4448400-EX	P-UB-10	80 X 115 mm	389.03
HIT-4464984	P-UB-10	65 X 115 mm	175.70
HIT-4464984-EX	P-UB-10	65 X 115 mm	219.03
HIT-4464985	P-UB-10	60 X 95 mm	140.04

Part Number	Code (Pg. xiv)	Rod X Bore Size	List Price
HIT-4464985-EX	P-UB-10	60 X 95 mm	\$195.07
HIT-4464986	P-UB-10	55 X 85 mm	134.00
HIT-4464986-EX	P-UB-10	55 X 85 mm	221.36
HIT-4465632	P-UB-10	180 X 260 mm	2,148.91
HIT-4465638	P-UB-10	160 X 230 mm	966.08
HIT-4465641	P-UB-10	160 X 230 mm	803.74
HIT-4465644	P-UB-10	170 X 240 mm	1,531.77
HIT-4465647	P-UB-10	150 X 215 mm	700.40
HIT-4465650	P-UB-10	150 X 200 mm	564.49
HIT-4465653	P-UB-10	85 X 140 mm	284.24
HIT-4465736	P-UB-10	70 X 120 mm	156.34
HIT-4465736-EX	P-UB-10	70 X 120 mm	246.52
HIT-4467379	P-UB-10	80 X 110 mm	291.73
HIT-4467380	P-UB-10	90 X 120 mm	316.01
HIT-4467381	P-UB-10	75 X 105 mm	217.52
HIT-4474521	P-UB-10	160 X 225 mm	326.10
HIT-4474521-EX	P-UB-10	160 X 225 mm	779.29
HIT-4477841	P-UB-10	100 X 135 mm	389.29
HIT-4477841-EX	P-UB-10	100 X 135 mm	513.38
HIT-4485612	P-UB-14	90 X 125 mm	144.21
HIT-4485612-EX	P-UB-14	90 X 125 mm	366.36
HIT-4485613	P-UB-14	105 X 140 mm	206.49
HIT-4485613-EX	P-UB-14	105 X 140 mm	355.79
HIT-4485614	P-UB-14	90 X 130 mm	162.48
HIT-4485614-EX	P-UB-14	90 X 130 mm	335.61
HIT-4485615	P-UB-14	95 X 135 mm	192.99
HIT-4485615-EX	P-UB-14	95 X 135 mm	342.88
HIT-4509364	P-U-5	110 X 180 mm	607.90
HIT-4509365	P-U-5	120 X 180 mm	615.27
HIT-4614056	P-U-10	45 X 80 mm	54.02
HIT-4614058	P-U-10	40 X 65 mm	163.90
HIT-4614059	P-U-10	45 X 85 mm	165.02
HIT-4614060	P-U-10	45 X 90 mm	63.91
HIT-4614061	P-U-10	45 X 85 mm	93.57
HIT-4614062	P-U-10	40 X 70 mm	74.79
HIT-4614069	P-U-10	45 X 75 mm	107.42
HIT-4620533	P-UB-10	160 X 230 mm	803.74
HIT-4622066	P-U-14	45 X 95 mm	186.76
HIT-4622067	P-U-14	50 X 105 mm	163.82
HIT-4624394	P-UB-10	90 X 125 mm	250.57

REPLACEMENT KITS FOR HITACHI

HITACHI

Part Number	Code (Pg. xiv)	Rod X Bore Size	List Price
HIT-4624394-EX	P-UB-10	90 X 125 mm	\$391.52
HIT-4627361	P-UB-10	90 X 130 mm	105.40
HIT-4627361-EX	P-UB-10	90 X 130 mm	229.15
HIT-4631062	P-UB-10	105 X 140 mm	301.54
HIT-4631062-EX	P-UB-10	105 X 140 mm	461.75
HIT-4634033	P-U-10	50 X 85 mm	139.05
HIT-4634034	P-U-10	45 X 75 mm	127.55
HIT-4634035	P-UB-14	55 X 90 mm	61.39
HIT-4634036	P-U-10	50 X 80 mm	130.37
HIT-4634037		40 X 70 mm	50.68
HIT-4634038		55 X 95 mm	75.90
HIT-4635157		50 X 90 mm	52.39
HIT-4639936	P-UB-10	95 X 135 mm	328.06
HIT-4639936-EX	P-UB-10	95 X 135 mm	452.14
HIT-4639938	P-UB-10	100 X 145 mm	316.36
HIT-4639939	P-UB-10	90 X 135 mm	378.12
HIT-4639939-EX	P-UB-10	90 X 135 mm	424.26
HIT-4640107	P-UB-14	105 X 150 mm	683.91
HIT-4640108	P-UB-14	95 X 145 mm	597.85
HIT-4640118	P-UB-14	115 X 170 mm	520.71
HIT-4649049	P-UB-10	100 X 145 mm	271.38
HIT-4649049-EX	P-UB-10	100 X 145 mm	450.26
HIT-4649050	P-UB-10	100 X 140 mm	334.77
HIT-4649050-EX	P-UB-10	100 X 140 mm	465.11
HIT-4649051	P-UB-10	115 X 170 mm	279.64
HIT-4649051-EX	P-UB-10	115 X 170 mm	475.48
HIT-4649053	P-UB-10	95 X 140 mm	241.69
HIT-4649053-EX	P-UB-10	95 X 140 mm	372.02
HIT-4649745	P-UB-14	95 X 135 mm	216.06
HIT-4649751	P-UB-14	90 X 135 mm	220.44
HIT-4649752	P-UB-14	105 X 150 mm	302.39
HIT-4650419	P-UB-10	90 X 125 mm	250.57
HIT-4650419-EX	P-UB-10	90 X 125 mm	391.52
HIT-4650433	P-UB-10	90 X 130 mm	208.54
HIT-4650433-EX	P-UB-10	90 X 130 mm	332.28
HIT-4652138	P-U-10	35 X 55 mm	86.77
HIT-4652139	P-U-10	40 X 75 mm	85.10
HIT-4652380	P-U-10	50 X 80 mm	115.50
HIT-4652380-EX	P-U-10	50 X 80 mm	147.19
HIT-4652906	P-UB-10	130 X 180 mm	138.42

Part Number	Code (Pg. xiv)	Rod X Bore Size	List Price
HIT-4653040	P-UB-10	115 X 170 mm	\$299.74
HIT-4653040-EX	P-UB-10	115 X 170 mm	495.58
HIT-4653041	P-UB-10	130 X 190 mm	350.94
HIT-4653041-EX	P-UB-10	130 X 190 mm	594.75
HIT-4653042	P-UB-10	120 X 170 mm	158.80
HIT-4653042-EX	P-UB-10	120 X 170 mm	350.86
HIT-4653861	P-UB-10	150 X 215 mm	426.64
HIT-4653861-EX	P-UB-10	150 X 215 mm	842.19
HIT-4653862	P-UB-10	160 X 225 mm	326.10
HIT-4653862-EX	P-UB-10	160 X 225 mm	779.29
HIT-4653863	P-UB-10	140 X 200 mm	279.84
HIT-4653863-EX	P-UB-10	140 X 200 mm	528.19
HIT-4654421	P-UB-10	85 X 120 mm	263.10
HIT-4654422	P-UB-10	95 X 135 mm	294.78
HIT-4654422-EX	P-UB-10	95 X 135 mm	418.87
HIT-4656428	P-U-10	45 X 80 mm	81.73
HIT-4657449	P-UB-10	90 X 120 mm	316.01
HIT-4657449-EX	P-UB-10	90 X 120 mm	376.24
HIT-4660036	P-UB-10	140 X 200 mm	620.34
HIT-4660108	P-UB-10	120 X 180 mm	517.21
HIT-4660159	P-UB-10	150 X 200 mm	564.49
HIT-4660466	P-UB-10	150 X 215 mm	700.40
HIT-4660647	P-UB-10	160 X 230 mm	803.74
HIT-4660653	P-UB-10	160 X 230 mm	966.08
HIT-4660664	P-UB-10	170 X 240 mm	1,531.77
HIT-4660795	P-UB-10	180 X 260 mm	2,148.91
HIT-4661485	P-UB-10	85 X 120 mm	234.11
HIT-4661485-EX	P-UB-10	85 X 120 mm	389.03
HIT-4662066-EX	P-UB-10	90 X 130 mm	332.28
HIT-4662069	P-UB-10	90 X 125 mm	250.57
HIT-4662069-EX	P-UB-10	90 X 125 mm	391.52
HIT-4662888	P-UB-10	90 X 120 mm	316.01
HIT-4662888-EX	P-UB-10	90 X 120 mm	376.24
HIT-4662891	P-UB-10	80 X 110 mm	268.44
HIT-4662891-EX	P-UB-10	80 X 110 mm	351.31
HIT-4662894	P-UB-10	65 X 95 mm	106.25
HIT-4662894-EX	P-UB-10	65 X 95 mm	199.92
HIT-4662895	P-UB-10	70 X 105 mm	221.41
HIT-4662895-EX	P-UB-10	70 X 105 mm	480.49
HIT-4663491	P-UB-10	65 X 115 mm	292.32

REPLACEMENT KITS FOR HITACHI

Part Number	Code (Pg. xiv)	Rod X Bore Size	List Price
HIT-4663491-EX	P-UB-10	65 X 115 mm	\$321.25
HIT-4663493-EX	P-UB-10	75 X 105 mm	272.16
HIT-4663496	P-UB-10	70 X 100 mm	122.57
HIT-4663496-EX	P-UB-10	70 X 100 mm	233.55
HIT-4667663	P-UB-10	90 X 125 mm	110.98
HIT-4669905	P-UB-10	80 X 115 mm	148.30
HIT-4669905-EX	P-UB-10	80 X 115 mm	206.47
HIT-4670538	P-UB-10	85 X 140 mm	284.24
HIT-4672004	P-UB-10	100 X 135 mm	167.95
HIT-4681367	P-UB-10	60 X 105 mm	121.51
HIT-4681368	P-UB-10	55 X 85 mm	128.48
HIT-4681369	P-UB-10	50 X 80 mm	115.34
HIT-4686432	P-UB-10	115 X 170 mm	504.91
HIT-4687559	P-U-10	60 X 110 mm	235.39
HIT-4687559-EX	P-U-10	60 X 110 mm	264.32
HIT-4687560	P-U-10	55 X 90 mm	203.08
HIT-4687560-EX	P-U-10	55 X 90 mm	214.06
HIT-4687561	P-U-10	55 X 95 mm	177.24
HIT-4687561-EX	P-U-10	55 X 95 mm	216.67
HIT-4692136	P-UB-10	120 X 180 mm	572.34
HIT-4699081	P-UB-10	180 X 260 mm	1,176.55
HIT-4699085	P-UB-10	160 X 230 mm	826.09
HIT-4699758	P-UB-10	160 X 230 mm	630.68
HIT-4704455	P-U-10	45 X 75 mm	82.92
HIT-4705345		50 X 90 mm	151.51
HIT-4S00715	P-UB-10	90 X 125 mm	155.47
HIT-4S00783	P-UB-10	100 X 145 mm	271.38
HIT-4S00783-EX	P-UB-10	100 X 145 mm	450.26
HIT-4S00834	P-UB-10	80 X 115 mm	105.69
HIT-4S00849	P-UB-10	70 X 100 mm	122.57
HIT-4S00849-EX	P-UB-10	70 X 100 mm	233.55
HIT-4S00930-EX	P-UB-10	115 X 170 mm	471.20
HIT-4S00959	P-UB-10	120 X 170 mm	158.80
HIT-4S00959-EX	P-UB-10	120 X 170 mm	350.86
HIT-4S00960	P-UB-10	130 X 190 mm	461.15
HIT-4S00960-EX	P-UB-10	130 X 190 mm	726.60
HIT-4S00961	P-UB-10	115 X 170 mm	299.74
HIT-4S00961-EX	P-UB-10	115 X 170 mm	495.58
HIT-9078843	P-UB-14	95 X 145 mm	299.91
HIT-9078844	P-UB-14	105 X 150 mm	448.88

Part Number	Code (Pg. xiv)	Rod X Bore Size	List Price
HIT-9078845	P-UB-14	100 X 145 mm	\$304.92
HIT-9078846	P-UB-14	110 X 165 mm	440.53
HIT-9103842	P-UB-10	90 X 125 mm	249.50
HIT-9103843	P-UB-14	100 X 135 mm	326.83
HIT-9103844	P-UB-10	85 X 125 mm	251.66
HIT-9123264	P-UB-14	110 X 165 mm	245.43
HIT-9123265	P-UB-14	95 X 145 mm	194.90
HIT-9156441	P-UB-14	100 X 135 mm	217.32
HIT-9175562	P-UB-14	100 X 145 mm	260.58
HIT-9175563	P-UB-14	110 X 165 mm	317.06
HIT-9175564	P-UB-14	95 X 145 mm	220.35
HIT-9175564-EX	P-UB-14	95 X 145 mm	376.84
HIT-9178283	P-UB-14	90 X 125 mm	190.83
HIT-9178283-EX	P-UB-14	90 X 125 mm	607.92
HIT-9178284	P-UB-14	100 X 135 mm	254.45
HIT-9178284-EX	P-UB-14	100 X 135 mm	536.19
HIT-9178294	P-UB-14	85 X 125 mm	199.77
HIT-9178294-EX	P-UB-14	85 X 125 mm	618.51
HIT-9180579	P-UB-14	100 X 145 mm	271.40
HIT-9180579-EX	P-UB-14	100 X 145 mm	426.90
HIT-9180580	P-UB-14	90 X 135 mm	218.28
HIT-9180580-EX	P-UB-14	90 X 135 mm	368.15
HIT-9180581	P-UB-14	105 X 150 mm	371.68
HIT-9180581-EX	P-UB-14	105 X 150 mm	537.09
HIT-9180582	P-UB-14	115 X 170 mm	324.44
HIT-9180582-EX	P-UB-14	115 X 170 mm	557.17
HIT-9180587	P-UB-14	95 X 135 mm	239.14
HIT-9207059	P-UB-14	105 X 140 mm	206.49
HIT-9207059-EX	P-UB-14	105 X 140 mm	355.79
HIT-AH137208	N-N-14	125 mm bore	173.79
HIT-AH137209	N-N-14	140 mm bore	192.09
HIT-AH173451	P-UB-10	80 X 115 mm	412.47
HIT-AH225135	P-UB-10	95 X 135 mm	454.96
HIT-AH225136	P-UB-10	85 X 120 mm	263.10
HIT-AH225136-EX	P-UB-10	85 X 120 mm	339.38
HIT-AH225137	P-UB-10	80 X 115 mm	135.77
HIT-AT196469	P-UB-10	65 X 95 mm	406.04
HIT-AT196470	P-UB-10	70 X 105 mm	207.08
HIT-AT339879	I-U-10	2-1/2 X 4	46.36
HIT-AT343210	I-U-5	1-1/4 X 2	22.78

REPLACEMENT KITS FOR HITACHI

Part Number	Code (Pg. xiv)	Rod X Bore Size	List Price
HIT-AT383285	I-UB-14	3 X 5	\$344.72
HIT-FXB00001834	P-UB-14	85 X 130 mm	236.43
HIT-FYA00001393	P-UB-10	80 X 115 mm	105.69
HIT-FYA00001395	P-UB-10	80 X 115 mm	93.28
HIT-FYA00001398	P-UB-10	95 X 140 mm	162.73
HIT-FYA00001398-EX	P-UB-10	95 X 140 mm	302.54
HIT-FYA00006591	P-UB-10	100 X 140 mm	177.94
HIT-FYA00006594	P-UB-10	105 X 150 mm	259.64
HIT-FYA00006596	P-UB-10	100 X 145 mm	161.45
HIT-FYA00008675	P-UB-10	105 X 150 mm	312.65
HIT-FYA00008823	P-UB-10	95 X 135 mm	203.96
HIT-FYA00008826	P-UB-10	90 X 135 mm	231.50
HIT-FYA00008837	P-UB-10	115 X 170 mm	570.09
HIT-FYA00008840	P-UB-10	100 X 145 mm	512.90
HIT-FYA00008843	P-UB-10	95 X 140 mm	479.99
HIT-FYA00009240	P-UB-10	70 X 105 mm	94.77
HIT-FYA00010733	P-UB-14	105 X 150 mm	297.57
HIT-FYA00010734	P-UB-14	95 X 135 mm	194.10
HIT-FYA00010735	P-UB-14	90 X 135 mm	235.24

Part Number	Code (Pg. xiv)	Rod X Bore Size	List Price
HIT-FYA00011420	P-UB-10	70 X 100 mm	\$81.72
HIT-FYA00012899	P-UB-10	70 X 105 mm	258.31
HIT-FYA00012900	P-UB-10	80 X 115 mm	236.34
HIT-FYA00012901	P-UB-10	70 X 100 mm	300.64
HIT-FYA00012902	P-UB-10	80 X 110 mm	347.85
HIT-FYA00012903	P-UB-10	90 X 120 mm	454.89
HIT-FYA00012904	P-UB-10	75 X 105 mm	331.22
HIT-FYA00012905	P-UB-10	85 X 120 mm	304.88
HIT-FYA00012906	P-UB-10	90 X 125 mm	409.82
HIT-FYA00012907	P-UB-10	75 X 105 mm	249.27
HIT-FYD00000078	P-UB-10	55 X 85 mm	86.54
HIT-FYD00000085	P-UB-10	60 X 110 mm	463.64
HIT-FYD00000086	P-UB-10	55 X 90 mm	436.65
HIT-FYD00000087	P-UB-10	50 X 80 mm	401.21
HIT-FYD00003885	P-U-10	30 mm X 60 mm	65.96
HIT-FYD00006230	P-UB-10	60 X 95 mm	106.66
HIT-FYD00006231	P-UB-10	65 X 115 mm	304.91
HIT-RE25151	P-UB-1	63 mm rod	144.81

REPLACEMENT PARTS FOR HITACHI

NOTE: Hitachi part numbers are used as a reference only. We do not imply that these kits are original REPLACEMENT PARTS.

BACK-UP RINGS

Part Number	Min Pkg Qty	List Price
HIT-0208306	1	\$13.57
HIT-0208606	1	13.57
HIT-0237419	1	13.57
HIT-0240912	1	11.24
HIT-0242505	1	28.40
HIT-0242507	1	9.65
HIT-0254905	1	3.16
HIT-0257005	1	22.27
HIT-0257527	1	42.46
HIT-0257604	1	25.68
HIT-0261310	1	1.83
HIT-0262403	1	16.92
HIT-0271310	1	11.24
HIT-0298904	1	1.50
HIT-0310506	1	3.37
HIT-0310904	1	1.78
HIT-0332704	1	4.87
HIT-0400207	1	52.96
HIT-0400308	1	69.50
HIT-0408809	1	11.26
HIT-0409008	1	11.83
HIT-0409906	1	1.40
HIT-0409911	1	14.45
HIT-0496605	1	13.13
HIT-0679904	1	13.98
HIT-0686706	1	10.52
HIT-0717905	1	24.86
HIT-0901704	1	4.23
HIT-0968304	1	33.69
HIT-0971209	1	40.32
HIT-0971212	1	3.21
HIT-0971220	1	2.59
HIT-0971309	1	43.41
HIT-0971410	1	38.75
HIT-133704	1	16.92
HIT-133707	1	16.21
HIT-136006	1	15.79
HIT-146416	1	15.68
HIT-150610	1	50.88
HIT-1660019	1	15.04
HIT-166009	1	15.04

BACK-UP RINGS

Part Number	Min Pkg Qty	List Price
HIT-167721	1	\$18.28
HIT-208306	1	13.57
HIT-208308	1	12.96
HIT-208508	1	14.44
HIT-208522	1	15.79
HIT-219405	1	16.41
HIT-223704	1	13.87
HIT-225612	1	11.24
HIT-236911	1	13.57
HIT-236919	1	13.57
HIT-237215	1	15.79
HIT-237217	1	15.68
HIT-237309	1	15.79
HIT-239506	1	50.88
HIT-240912	1	11.24
HIT-242307	1	48.65
HIT-242507	1	20.05
HIT-242708	1	55.71
HIT-257007	1	20.96
HIT-257510	1	50.70
HIT-261310	1	13.87
HIT-262403	1	16.92
HIT-271310	1	11.24
HIT-298904	1	13.61
HIT-309207	1	14.18
HIT-310506	1	13.31
HIT-310606	1	13.03
HIT-310904	1	1.78
HIT-317710	1	56.92
HIT-317718	1	18.28
HIT-336610	1	14.04
HIT-379908	1	54.85
HIT-386706	1	2.49
HIT-4007510	1	37.73
HIT-403347	1	40.32
HIT-4033747	1	13.57
HIT-4034645	1	15.68
HIT-4034646	1	16.54
HIT-4034647	1	34.74
HIT-4035029	1	13.57
HIT-4035030	1	13.57

BACK-UP RINGS

Part Number	Min Pkg Qty	List Price
HIT-4039658	1	\$16.54
HIT-4039660	1	37.73
HIT-4060391	1	12.60
HIT-4061803	1	49.54
HIT-4061827	1	16.54
HIT-4067085	1	45.27
HIT-4067140	1	14.18
HIT-4068627	1	12.96
HIT-4070047	1	18.94
HIT-4087862	1	15.04
HIT-409008	1	11.83
HIT-4094811	1	45.27
HIT-4094816	1	15.79
HIT-4094817	1	37.73
HIT-409709	1	13.13
HIT-409911	1	14.45
HIT-4103695	1	13.87
HIT-4103705	1	13.57
HIT-4104134	1	12.96
HIT-4113178	1	15.68
HIT-4113180	1	45.27
HIT-4170546	1	18.28
HIT-4170548	1	15.22
HIT-4505081	1	40.24
HIT-4505083	1	34.74
HIT-4505752	1	13.57
HIT-4509747	1	11.24
HIT-4510854	1	14.44
HIT-4510878	1	11.49
HIT-487862	1	15.04
HIT-4S00769	1	17.08
HIT-AT264243	1	9.65
HIT-AT264252	1	7.85
HIT-E4052580	1	9.04
HIT-FXB00004943	1	6.23

HITACHI

REPLACEMENT PARTS FOR HITACHI

NOTE: Hitachi part numbers are used as a reference only. We do not imply that these kits are original REPLACEMENT PARTS.

BUFFER RINGS

Part Number	Rod Dia.	List Price
HIT-201003	55 mm	\$34.10
HIT-0826908	60 mm	30.27
HIT-187305	60 mm	66.53
HIT-0790008	65 mm	36.00
HIT-225613	65 mm	32.89
HIT-409104	65 mm	32.89
HIT-0408804	70 mm	39.30
HIT-0789310	70 mm	39.30
HIT-271311	70 mm	38.20
HIT-408804	70 mm	35.22
HIT-0409605	75 mm	72.05
HIT-158102	75 mm	40.77
HIT-240913	75 mm	40.77
HIT-409605	75 mm	40.77
HIT-0409004	80 mm	76.33
HIT-0789213	80 mm	44.24
HIT-174506	80 mm	43.93
HIT-309305	80 mm	44.24
HIT-409004	80 mm	43.93
HIT-0309005	85 mm	41.81
HIT-0788911	85 mm	47.47
HIT-128603	85 mm	30.36
HIT-157801	85 mm	43.38
HIT-409704	85 mm	43.38
HIT-0829304	90 mm	57.30
HIT-0971408	90 mm	57.30
HIT-4108704	90 mm	47.70
HIT-4253560	90 mm	47.70
HIT-4412693	90 mm	57.30
HIT-0971207	95 mm	60.49
HIT-127205	95 mm	49.24
HIT-127221	95 mm	49.24
HIT-151902	95 mm	49.24
HIT-309205	95 mm	49.24
HIT-409905	95 mm	49.24
HIT-4171486	95 mm	49.24
HIT-H227909	95 mm	60.49
HIT-208505	100 mm	50.02
HIT-4131728	100 mm	50.02
HIT-0971307	105 mm	64.49
HIT-127407	105 mm	56.91

BUFFER RINGS

Part Number	Rod Dia.	List Price
HIT-127419	105 mm	\$56.91
HIT-151703	105 mm	56.91
HIT-4171487	105 mm	56.91
HIT-4411655	105 mm	64.49
HIT-165702	110 mm	59.40
HIT-336805	110 mm	59.40
HIT-4094814	110 mm	59.40
HIT-0352705	115 mm	35.41
HIT-0972103	115 mm	35.41
HIT-0450518	120 mm	57.25
HIT-165903	120 mm	59.51
HIT-4094836	120 mm	59.51
HIT-0941506	130 mm	39.86
HIT-353005	130 mm	60.63
HIT-380004	130 mm	60.63
HIT-AT264251	130 mm	39.86
HIT-0417405	140 mm	59.34
HIT-187705	140 mm	57.88
HIT-379807	140 mm	57.88
HIT-0392303	150 mm	60.77
HIT-242705	150 mm	64.65
HIT-292303	150 mm	64.65
HIT-379906	150 mm	64.65
HIT-0400205	160 mm	64.36
HIT-336605	170 mm	81.79
HIT-0336405	180 mm	105.24
HIT-0952404	180 mm	105.24

CUSHION SEALS

Part Number	List Price
HIT-0408806	\$31.27
HIT-0409006	38.60
HIT-0409013	27.69
HIT-0420113	93.24
HIT-0420310	94.01
HIT-0666807	33.08
HIT-0667007	34.44
HIT-0667010	27.69
HIT-0667411	28.56
HIT-0675106	34.07
HIT-409707	42.40
HIT-409909	46.72
HIT-4S00940	94.01

O-RINGS

Part Number	Min Pkg Qty	List Price
HIT-0971233	5	\$8.33
HIT-127216	2	10.66
HIT-127218	3	3.33
HIT-127414	5	2.07
HIT-127417	2	6.92
HIT-128605	3	3.24
HIT-128609	3	3.19
HIT-128610	6	2.65
HIT-128612	3	2.48
HIT-136004	3	3.42
HIT-146423	10	0.78
HIT-148310	1	19.03
HIT-1486206	2	6.73
HIT-150609	1	16.92
HIT-166010	3	2.48
HIT-186206	2	6.73
HIT-208509	2	5.78
HIT-4007528	1	37.53
HIT-4007535	1	15.41
HIT-4025687	10	1.18
HIT-4031027	2	8.55
HIT-4033451	2	8.80

REPLACEMENT PARTS FOR HITACHI

NOTE: Hitachi part numbers are used as a reference only. We do not imply that these kits are original REPLACEMENT PARTS.

O-RINGS

Part Number	Min Pkg Qty	List Price
HIT-4033751	2	\$8.80
HIT-4034653	2	8.80
HIT-4034654	2	10.66
HIT-4034655	1	29.13
HIT-4034656	2	6.80
HIT-4034657	5	3.98
HIT-4034658	10	0.78
HIT-4035039	2	8.49
HIT-4037888	10	1.02
HIT-4038304	2	8.37
HIT-4039611	1	32.02
HIT-4039657	2	10.66
HIT-4039659	1	15.41
HIT-4039678	2	2.25
HIT-4039679	2	10.66
HIT-4040565	3	2.05
HIT-4046608	2	8.21
HIT-4049492	3	11.38
HIT-4049494	2	8.37
HIT-4049565	3	2.05
HIT-4049568	2	4.10
HIT-4068626	2	8.55
HIT-4068628	4	1.48
HIT-4068632	2	8.21
HIT-4068682	2	8.21
HIT-4070046	3	6.20
HIT-4070049	10	0.71
HIT-4083465	1	9.21
HIT-4087852	2	8.69
HIT-4094815	1	15.62
HIT-4094908	15	0.56
HIT-4095999	3	3.24
HIT-4101722	3	3.33
HIT-4103701	3	2.45
HIT-4104498	15	0.56
HIT-4105424	18	1.38
HIT-4113165	1	17.36
HIT-4123447	3	3.42
HIT-4138931	18	1.38
HIT-4140487	1	32.02

O-RINGS

Part Number	Min Pkg Qty	List Price
HIT-4140491	1	\$32.74
HIT-4253563	2	8.21
HIT-4504858	5	3.70
HIT-4505080	1	16.48
HIT-4505082	1	15.62
HIT-808509	1	5.78
HIT-939306	10	0.71
HIT-954488	3	5.88
HIT-955612	10	0.78
HIT-984614	10	0.71
HIT-985098	10	0.57
HIT-A810025	15	0.43
HIT-A810030	20	0.56
HIT-A810085	4	7.44
HIT-A810095	5	2.80
HIT-A810125	3	11.38
HIT-A810130	3	3.42
HIT-A810155	2	6.76
HIT-A810165	2	6.80
HIT-A810170	2	6.92
HIT-A811055	10	1.87
HIT-AB11110	5	3.16
HIT-AB11115	5	3.21
HIT-E4025715	1	9.20
HIT-Z984614	20	0.49
HIT-Z992446	5	3.67

O-RINGS 90 DUROMETER

Part Number	Min Pkg Qty	List Price
HIT-317406	1	\$31.95
HIT-317717	1	13.74
HIT-4007534	1	10.66
HIT-4061790	2	11.35
HIT-4104135	3	3.05
HIT-4123441	1	76.05
HIT-4140490	1	33.14
HIT-4140492	1	47.44
HIT-4153538	5	2.43

O-RINGS 90 DUROMETER

Part Number	Min Pkg Qty	List Price
HIT-4203611	3	\$3.54
HIT-4366544	20	0.72
HIT-4506405	30	0.13
HIT-4506408	25	0.29
HIT-4506424	1	0.85
HIT-4506428	12	1.18
HIT-4506430	12	1.41
HIT-A811025	1	0.47
HIT-A811030	12	0.64
HIT-A811035	10	0.77
HIT-A811040	10	0.85
HIT-A811045	10	1.70
HIT-A811050	8	1.80
HIT-A811070	5	2.16
HIT-A811075	4	8.33
HIT-A811080	4	2.62
HIT-A811085	3	2.71
HIT-A811090	3	2.73
HIT-A811095	5	2.80
HIT-A811100	3	3.05
HIT-A811105	3	3.11
HIT-A811110	3	3.16
HIT-A811115	3	3.21
HIT-A811120	3	3.48
HIT-A811125	3	3.54
HIT-A811130	2	3.56
HIT-A811135	2	4.18
HIT-A811140	2	7.46
HIT-A811145	2	4.28
HIT-A811150	1	9.14
HIT-A811160	2	11.35
HIT-A811180	1	15.75
HIT-A811190	1	16.09
HIT-A811200	1	20.97
HIT-A811210	1	24.88
HIT-A811220	1	29.56
HIT-A811250	1	35.31
HIT-A812180	1	15.75
HIT-AT264241	1	15.75

REPLACEMENT PARTS FOR HITACHI

NOTE: Hitachi part numbers are used as a reference only. We do not imply that these kits are original REPLACEMENT PARTS.

PISTON RINGS

Part Number	Bore Diameter	List Price
HIT-E12617343	5-3/4	\$28.53
HIT-4016890	7	56.44
HIT-E4052468	7-3/4	48.50
HIT-4026780	9	113.40
HIT-E4051808	9.17	74.44
HIT-4026781	11	182.97
HIT-0961221	150 mm	55.20
HIT-0961424	170 mm	61.00
HIT-0961518	145 mm	52.36
HIT-4431271	130 mm	32.66
HIT-4431272	135 mm	66.89

PISTON SEALS

Part Number	Bore Diameter	List Price
HIT-FXB00004932	60 mm	\$15.21
HIT-310608	95 mm	49.52
HIT-201006	100 mm	50.64
HIT-0240807	100 mm	41.51
HIT-0310508	105 mm	46.03
HIT-0408807	105 mm	46.03
HIT-240915	110 mm	60.97
HIT-0240915	110 mm	60.97
HIT-0225614	115 mm	62.43
HIT-225614	115 mm	62.43
HIT-258203	120 mm	62.43
HIT-258205	120 mm	62.43
HIT-0258205	120 mm	62.43
HIT-128611	125 mm	63.77
HIT-223706	125 mm	62.43
HIT-4092193	125 mm	63.77
HIT-4124860	125 mm	91.68
HIT-0264305	130 mm	64.60
HIT-254305	130 mm	64.60
HIT-4085439	130 mm	63.77
HIT-0254305	130 mm	64.60
HIT-0971414	135 mm	105.41
HIT-309210	135 mm	72.96
HIT-133505	140 mm	73.53
HIT-0224106	140 mm	73.76
HIT-TH102795	140 mm	73.76
HIT-4185245	145 mm	113.01
HIT-0965404	150 mm	122.05
HIT-127210	150 mm	81.97
HIT-127412	150 mm	81.97
HIT-187405	150 mm	81.97
HIT-237218	150 mm	79.30
HIT-4128769	150 mm	81.97
HIT-4171492	150 mm	122.05
HIT-165703	170 mm	95.42
HIT-4094809	170 mm	95.42
HIT-4170547	170 mm	98.38
HIT-AT264253	170 mm	98.38
HIT-0332706	180 mm	107.50
HIT-0242510	190 mm	111.94
HIT-105707	190 mm	108.20
HIT-161603	190 mm	108.20

PISTON SEALS

Part Number	Bore Diameter	List Price
HIT-242510	190 mm	\$111.94
HIT-380006	190 mm	111.94
HIT-T201905	190 mm	111.94
HIT-379811	200 mm	115.32
HIT-0257010	200 mm	115.32
HIT-379911	215 mm	117.36
HIT-0392305	215 mm	117.36
HIT-242712	225 mm	128.82
HIT-0242712	225 mm	128.82
HIT-0400210	230 mm	407.11
HIT-0242310	240 mm	131.33
HIT-0400311	260 mm	141.68

PISTON U-SEALS

Part Number	Bore Diameter	List Price
HIT-Z951846	125 mm	\$63.77
HIT-Z996169	125 mm	63.77
HIT-Z966212	150 mm	81.97
HIT-Z966256	150 mm	81.97
HIT-4505069	180 mm	101.91
HIT-4505070	180 mm	101.91

ROD BUSHINGS

Part Number	Rod Diameter	List Price
HIT-1118311	30 mm	\$8.29
HIT-1157904	30 mm	10.57
HIT-FXB00004950	30 mm	8.93
HIT-1153804	35 mm	10.99
HIT-FXB00004926	35 mm	9.90
HIT-1153502	40 mm	11.24
HIT-0652401	40 mm	11.24
HIT-0892005	40 mm	11.24
HIT-0797604	40 mm	13.20
HIT-FXB00010512	40 mm	11.24
HIT-0891518	45 mm	20.75

REPLACEMENT PARTS FOR HITACHI

NOTE: Hitachi part numbers are used as a reference only. We do not imply that these kits are original REPLACEMENT PARTS.

ROD BUSHINGS

Part Number	Rod Diameter	List Price
HIT-0891605	45 mm	\$20.75
HIT-0920515	45 mm	15.43
HIT-0854104	50 mm	15.61
HIT-FYD00000053	50 mm	18.73
HIT-0948703	50 mm	15.61
HIT-1187203	55 mm	16.53
HIT-FYD00000040	55 mm	22.11
HIT-FXB00001022	55 mm	22.11
HIT-0826907	60 mm	22.48
HIT-0994204	60 mm	22.48
HIT-FYD00000021	60 mm	22.48
HIT-1226705	60 mm	22.48
HIT-0310604	65 mm	26.16
HIT-0657704	65 mm	27.20
HIT-0790009	65 mm	21.20
HIT-FXB00001021	65 mm	26.16
HIT-0310304	70 mm	29.53
HIT-4633389	70 mm	27.17
HIT-0643402	70 mm	12.34
HIT-FXB00002262	70 mm	12.34
HIT-0271309	70 mm	24.08
HIT-0789311	70 mm	24.08
HIT-FXB00004761	70 mm	35.57
HIT-0310504	75 mm	32.68
HIT-310504	75 mm	32.68
HIT-FXB00002087	75 mm	32.68
HIT-0240911	75 mm	26.51
HIT-TH109311	75 mm	32.68
HIT-0309304	80 mm	37.68
HIT-FXB00002113	80 mm	37.68
HIT-0208605	80 mm	29.53
HIT-AT264314	80 mm	37.68
HIT-T108041	80 mm	37.68
HIT-0309004	85 mm	41.83
HIT-4272960	85 mm	41.83
HIT-FXB00001811	85 mm	44.67
HIT-0208305	85 mm	32.07
HIT-0788912	85 mm	32.07
HIT-T108019	85 mm	41.83
HIT-FXB00002012	85 mm	41.83
HIT-0325904	90 mm	40.34

ROD BUSHINGS

Part Number	Rod Diameter	List Price
HIT-4272961	90 mm	\$40.34
HIT-FXB00002051	90 mm	44.23
HIT-AT264321	90 mm	40.34
HIT-0971402	90 mm	44.23
HIT-0309204	95 mm	45.45
HIT-309204	95 mm	45.45
HIT-4171488	95 mm	53.46
HIT-4272962	95 mm	45.45
HIT-4284535	95 mm	53.46
HIT-0971202	95 mm	45.45
HIT-T108050	95 mm	45.45
HIT-0836104	100 mm	62.28
HIT-4272963	100 mm	62.79
HIT-0373405	105 mm	53.57
HIT-4383093	105 mm	56.47
HIT-4432450	105 mm	53.57
HIT-0971302	105 mm	55.84
HIT-FXB00002479	105 mm	55.84
HIT-336804	110 mm	101.84
HIT-4284534	110 mm	101.84
HIT-0352704	115 mm	60.50
HIT-4370337	115 mm	79.99
HIT-0961415	115 mm	74.09
HIT-1237306	115 mm	25.17
HIT-0450506	120 mm	58.61
HIT-0353004	130 mm	85.79
HIT-317404	130 mm	95.51

ROD U-SEALS

Part Number	Rod Dia.	List Price
HIT-FXB00004951	30 mm	\$13.36
HIT-4070039	55 mm	19.79
HIT-225611	65 mm	21.20
HIT-2711309	70 mm	24.08
HIT-271309	70 mm	24.08
HIT-4508829	70 mm	28.92
HIT-127710	75 mm	29.15
HIT-240911	75 mm	26.51
HIT-0789214	80 mm	29.53

ROD U-SEALS

Part Number	Rod Dia.	List Price
HIT-208605	80 mm	\$29.53
HIT-128606	85 mm	33.19
HIT-0105301	90 mm	34.13
HIT-4094890	90 mm	30.04
HIT-4168226	90 mm	48.25
HIT-0971409	90 mm	54.72
HIT-0971208	95 mm	52.90
HIT-127207	95 mm	36.02
HIT-146407	95 mm	36.02
HIT-4034640	95 mm	36.02
HIT-4171484	95 mm	35.71
HIT-4070021	100 mm	39.04
HIT-4168227	100 mm	24.85
HIT-0965402	105 mm	61.12
HIT-127408	105 mm	48.52
HIT-4069701	110 mm	54.38
HIT-4505060	110 mm	54.38
HIT-0352706	115 mm	52.79
HIT-0972104	115 mm	52.79
HIT-352706	115 mm	52.79
HIT-0972403	120 mm	64.31
HIT-4069711	120 mm	64.31
HIT-4505951	120 mm	64.31
HIT-0972303	130 mm	61.38
HIT-191405	130 mm	61.38
HIT-AT264242	130 mm	61.38
HIT-4094949	140 mm	75.40
HIT-4070027	150 mm	110.12
HIT-0978104	150 mm	110.12
HIT-4105385	160 mm	98.84
HIT-0978305	160 mm	98.84
HIT-0257507	170 mm	30.24

U-SEALS

Part Number	Rod Dia.	List Price
HIT-E4200159	4	\$20.20
HIT-12584908	8	48.87
HIT-E4012111	8-1/2	52.29
HIT-12584909	10	83.51

REPLACEMENT PARTS FOR HITACHI

NOTE: Hitachi part numbers are used as a reference only. We do not imply that these kits are original REPLACEMENT PARTS.

WEAR RINGS

Part Number	OD X Width	List Price
HIT-E4200162	4-1/2 X 1	\$8.42
HIT-E4012301	5-3/4 X 1	8.75
HIT-E4012107	6-3/4 X 1	12.04
HIT-E4017428	7-3/4 X 1	33.84
HIT-4200164	8-1/4 X 1	20.83
HIT-E4012110	8-3/4 X 1	40.06
HIT-E4012302	9-1/4 X 1	38.98
HIT-4026791	10-1/4 X 1	22.27
HIT-FXB00004931	60 X 7.9 mm	7.39
HIT-0387503	70 X 9.5 mm	30.93
HIT-1103302	75 mm	8.01
HIT-0827011	85 X 6 mm	33.01
HIT-0891615	85 X 6 mm	33.01
HIT-0309006	85 X 9.6 mm	54.69
HIT-0333007	95 X 14.8 mm	26.67
HIT-0310609	95 X 6 mm	14.18
HIT-0310610	95 X 6 mm	42.35
HIT-0667108	95 X 6.1 mm	8.01
HIT-0254908	100 X 5.9 mm	81.30
HIT-70183473	100 X 5.9 mm	21.36
HIT-0326005	100 X 6 mm	15.78
HIT-0686707	100 X 6 mm	8.37
HIT-0310510	105 X 6 mm	107.26
HIT-0666808	105 X 6 mm	8.53
HIT-0310509	105 X 6 mm	39.56
HIT-0298907	110 X 5.9 mm	88.77
HIT-4S00156	110 X 5.9 mm	88.77
HIT-0410005	110 X 7.9 mm	16.84
HIT-0667008	110 X 7.9 mm	8.71
HIT-0352708	115 X 14.8 mm	23.58
HIT-0310908	115 X 6 mm	45.42
HIT-0686405	115 X 7.9 mm	8.71
HIT-1102304	115 X 7.9 mm	8.71
HIT-0450508	120 X 14.8 mm	72.49
HIT-0460004	120 X 15 mm	54.02
HIT-0667206	120 X 7.9 mm	8.89
HIT-H227906	120 X 7.9 mm	8.89
HIT-0261308	120 X 8 mm	52.73
HIT-0998904	120 X 8 mm	8.89
HIT-AT264356	120 X 8 mm	32.31
HIT-0309009	125 X 7.9 mm	18.49

WEAR RINGS

Part Number	OD X Width	List Price
HIT-0309309	125 X 7.9 mm	\$17.65
HIT-0926604	125 X 7.9 mm	18.49
HIT-0223713	125 X 8 mm	54.95
HIT-4168234	125 X 9.7 mm	61.48
HIT-4253562	125 X 9.9 mm	19.69
HIT-4431329	130 X 10 mm	34.95
HIT-0657706	130 X 11.6 mm	113.13
HIT-0417605	130 X 14.8 mm	61.71
HIT-0409912	130 X 7.9 mm	21.73
HIT-0667409	130 X 7.9 mm	9.15
HIT-0932805	130 X 7.9 mm	21.73
HIT-0974906	130 X 7.9 mm	21.73
HIT-223707	130 X 7.9 mm	14.97
HIT-409912	130 X 7.9 mm	21.73
HIT-0223703	130 X 8 mm	55.92
HIT-0254309	130 X 8 mm	55.92
HIT-254309	130 X 8 mm	55.92
HIT-4185248	135 X 14.8 mm	18.55
HIT-0789110	135 X 7.9 mm	9.15
HIT-0962104	135 X 7.9 mm	9.15
HIT-309211	135 X 7.9 mm	16.53
HIT-0309212	135 X 8 mm	56.97
HIT-0812305	135 X 9.4 mm	9.96
HIT-0971217	135 X 9.5 mm	26.78
HIT-0971218	135 X 9.7 mm	66.74
HIT-4185246	135 X 9.7 mm	66.74
HIT-4252191	135 X 9.8 mm	27.10
HIT-4414671	140 X 10 mm	25.11
HIT-224107	140 X 7.9 mm	17.16
HIT-0224108	140 X 8 mm	57.69
HIT-0937408	140 X 9.5 mm	23.83
HIT-0960302	140 X 9.5 mm	23.83
HIT-4168233	140 X 9.7 mm	68.95
HIT-4185249	145 X 14.8 mm	20.14
HIT-0373413	145 X 7.9 mm	90.75
HIT-0492209	145 X 9.5 mm	23.83
HIT-0962008	145 X 9.5 mm	23.83
HIT-4194621	145 X 9.5 mm	25.24
HIT-4S00803	145 X 9.5 mm	23.83
HIT-4185247	145 X 9.7 mm	73.01
HIT-4194622	150 X 14.8 mm	21.67

WEAR RINGS

Part Number	OD X Width	List Price
HIT-0392304	150 X 19.85 mm	\$113.05
HIT-0237220	150 X 8 mm	63.71
HIT-0387305	150 X 9.5 mm	24.02
HIT-237219	150 X 9.5 mm	24.02
HIT-4171490	150 X 9.7 mm	76.51
HIT-0400408	160 X 19.9 mm	104.91
HIT-0352712	160 X 9.5 mm	26.68
HIT-4194623	165 X 15 mm	36.96
HIT-4194624	165 X 9.7 mm	154.68
HIT-4370064	170 X 14.8 mm	48.01
HIT-0706903	170 X 19.7 mm	113.19
HIT-0420109	170 X 9.5 mm	28.74
HIT-0972106	170 X 9.5 mm	28.74
HIT-0975411	170 X 9.5 mm	28.74
HIT-259306	170 X 9.5 mm	26.68
HIT-4S00797	170 X 9.5 mm	28.74
HIT-0259307	170 X 9.7 mm	95.89
HIT-4370063	170 X 9.7 mm	95.89
HIT-0400307	180 X 24.7 mm	160.28
HIT-0420307	190 X 14.8 mm	51.74
HIT-0972305	190 X 14.8 mm	51.74
HIT-242511	190 X 15 mm	38.36
HIT-336808	190 X 15 mm	38.36
HIT-0242512	190 X 9.7 mm	99.72
HIT-4S00756	200 X 19.4 mm	31.79
HIT-4S00758	215 X 19.5 mm	28.55
HIT-0400212	224 X 14.7 mm	138.01
HIT-4S00869	224 X 14.7 mm	138.01
HIT-0400211	224 X 24.4 mm	33.10
HIT-0781706	224 X 24.4 mm	33.10
HIT-4S00870	224 X 24.4 mm	33.10
HIT-0242312	232 X 14.9 mm	236.07
HIT-0809405	234 X 24.4 mm	33.94
HIT-4S00871	234 X 24.4 mm	33.94
HIT-0400313	252 X 14.8 mm	139.07
HIT-4S00928	252 X 14.8 mm	139.07
HIT-0809107	254 X 29.3 mm	43.30
HIT-0952405	254 X 29.3 mm	43.30

REPLACEMENT PARTS FOR HITACHI

NOTE: Hitachi part numbers are used as a reference only. We do not imply that these kits are original REPLACEMENT PARTS.

WIPERS

Part Number	Rod Dia.	List Price
HIT-E9228981	4	\$4.69
HIT-E9230646	6-1/2	8.38
HIT-FXB00004960	30 mm	20.93
HIT-4094867	55 mm	30.24
HIT-225610	65 mm	34.75
HIT-0409117	65 mm	34.75
HIT-271308	70 mm	37.30
HIT-4036973	70 mm	10.63
HIT-0409503	70 mm	15.33
HIT-0666806	70 mm	39.51
HIT-4729045	70 mm	39.51
HIT-240910	72 mm	40.10
HIT-4103699	75 mm	40.10
HIT-0667504	75 mm	42.47
HIT-0667006	80 mm	50.10
HIT-208607	80 mm	47.29
HIT-409020	80 mm	50.10
HIT-0409019	80 mm	50.10
HIT-4729047	80 mm	50.10
HIT-0667204	85 mm	56.86
HIT-128607	85 mm	53.67
HIT-208307	85 mm	53.67

WIPERS

Part Number	Rod Dia.	List Price
HIT-0829305	90 mm	\$61.48
HIT-0971411	90 mm	61.48
HIT-4039669	90 mm	17.75
HIT-4094892	90 mm	58.02
HIT-4124849	90 mm	58.02
HIT-4348202	90 mm	61.48
HIT-0971210	95 mm	31.94
HIT-127208	95 mm	59.34
HIT-146409	95 mm	59.34
HIT-236920	95 mm	59.34
HIT-309206	95 mm	59.34
HIT-4039686	95 mm	24.34
HIT-4171482	95 mm	59.34
HIT-208507	100 mm	60.92
HIT-4074008	100 mm	41.17
HIT-4131730	100 mm	60.92
HIT-808507	100 mm	60.92
HIT-0971310	105 mm	62.36
HIT-127409	105 mm	58.87
HIT-237216	105 mm	58.87
HIT-4171483	105 mm	58.87
HIT-4351498	105 mm	62.36

WIPERS

Part Number	Rod Dia.	List Price
HIT-237310	110 mm	\$62.41
HIT-4505063	110 mm	62.41
HIT-0352709	115 mm	55.19
HIT-0972105	115 mm	28.78
HIT-352709	115 mm	55.19
HIT-0450519	120 mm	72.35
HIT-4505954	120 mm	68.29
HIT-0972304	130 mm	79.17
HIT-257006	130 mm	74.73
HIT-4S00952	130 mm	79.17
HIT-242506	140 mm	76.56
HIT-0977905	140 mm	81.12
HIT-242707	150 mm	80.28
HIT-4429148	150 mm	85.06
HIT-242306	160 mm	99.00
HIT-0978306	160 mm	104.90
HIT-4438827	160 mm	104.90
HIT-0809403	170 mm	116.98
HIT-0809104	180 mm	127.25
HIT-4663254	180 mm	127.25

HOOD

Replacement Kits For

Forestry - Log Loaders							
APPLICATION	CYL #	SERIAL #	CODE	ROD	BORE	KIT #	List \$
MODEL 7000							
BOOM LIFT	1600-		I-U-4,14	2-1/2	6	HOOD-760408	177.68
	500-; 020-	Yr. 1980-	I-UB-10	2-1/2	6	HOOD-760430	113.58
JIB BOOM	1500-		I-U-14	2-1/2	5	HOOD-760404	123.69
	500-; 020-	Yr. 1980-	I-UB-10	2-1/2	5	HOOD-760428	106.51
STABILIZER			I-U-4	2	3	HOOD-760056	30.43

REPLACEMENT KITS FOR HOOD

Kit Number	Code (Pg. xiv)	Rod x Bore Size	List Price
HOOD-760056	I-U-4	2 X 3	\$30.43
HOOD-760220	I-U-14	2-1/2 X 5	123.69
HOOD-760224	I-U-4,14	2-1/2 X 6	177.68
HOOD-760404	I-U-14	2-1/2 X 5	123.69
HOOD-760408	I-U-4,14	2-1/2 X 6	177.68
HOOD-760428	I-UB-10	2-1/2 X 5	106.51
HOOD-760430	I-UB-10	2-1/2 X 6	113.58

HUSKY BRUTE

Repair parts for Husky Brute are available online at www.HerculesUS.com or by contacting the Hercules Sales Team at the information provided below.

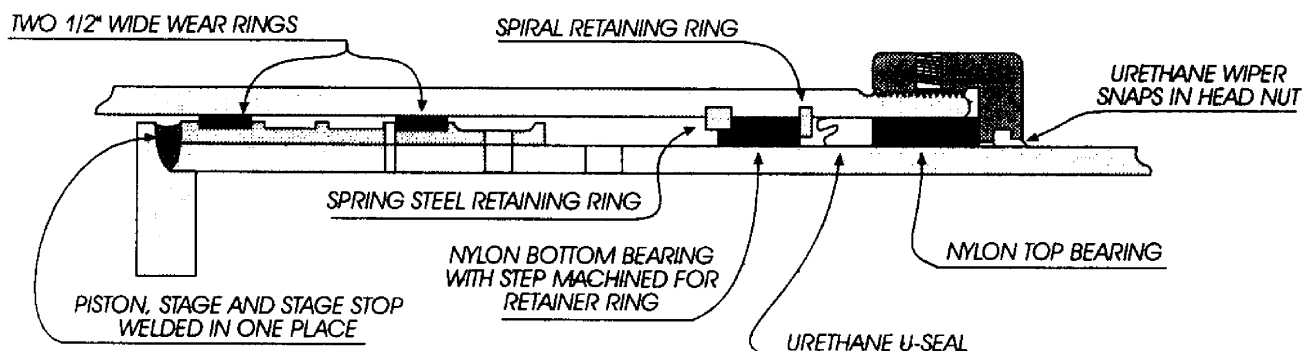
HYCO TELESCOPIC CYLINDERS

IMPORTANT NOTE

When ordering hyco telescopic parts it is helpful to provide a model number and serial number. The serial number is stamped into the base of the cylinder body or is just above the cylinder port. The serial number is the first four or five digits of the number. The last three or four digits indicate the date of manufacture.

EXAMPLE 12345 10 93
 SERIAL # MONTH YEAR

70,000 SERIES SINGLE ACTING



70,000 SERIES SINGLE ACTING

- PACKING:** Normally uses urethane u-seals, but may be retrofitted with vee packing. All sizes 1/4" c.s.
- WIPERS:** Urethane snap-in type.
- BEARINGS:** Nylon bearings. Outer bearing is flat on the top and bottom. Inner bearing is "trapped" between two retainers. The bottom side of the inner bearing is "step-cut" on the o.d. to pilot over snap ring. c/s = .245"
- PISTON:** Welded to stage. Uses 2 replaceable wear rings per stage.
- STAGE O.D.'s:** 3", 4", 5", 6", 7", 8-1/8", 9-3/8"
- SPECIAL INFO.:** Spring steel type snap ring serves as internal stop. Uses a spiral retainer to "trap" lower bearing.
- IDENTIFICATION:** Cylinder model number and serial number stamped on cylinder body near base of cylinder.
Ex: 70000-815-180D

70,000 Series single action cylinders are manufactured to use urethane u-seals but may be retrofitted with a vee packing set if desired. We stock both types of packing for your convenience.

70,000 SERIES SINGLE ACTING PACKING SETS

Hercules Sealing Products offers two types of packing for Hyco 70,000 series cylinders. Type 1 kits are identical to the original Hyco packing sets and utilize Parker u-seals. Type 2 kits contain a vee packing set retrofit for the original u-seal packing. The vee packing can be more effective in sealing an older cylinder with abrasive scoring or other surface blemishes.

HYCO TELESCOPIC CYLINDERS

70,000 SERIES CYLINDERS WITH K STYLE WIPER

Part Number	Description	List Price
TYPE 1: U-SEALS, WIPERS, NYLON BEARINGS AND RETAINER KITS		
HY-034-00070-300	3" Pack Kit	\$102.54
HY-034-00070-400	4" Pack Kit	132.47
HY-034-00070-500	5" Pack Kit	150.13
HY-034-00070-600	6" Pack Kit	170.12
HY-034-00070-700	7" Pack Kit	195.49
HY-034-00070-812	8-1/8" Pack Kit	334.82
HY-034-00070-938	9-3/8" Pack Kit	454.68
MULTIPLE STAGE KITS		
HY-034-00070-46	4 - 6"	\$452.02
HY-034-00070-47	4 - 7"	619.55
HY-034-00070-48-1/8	4 - 8-1/8"	943.73
HY-034-00070-49-3/8	4 - 9-3/8"	1,414.72
HY-034-00070-57	5 - 7"	499.09
HY-034-00070-58-1/8	5 - 8-1/8"	819.07

Part Number	Description	List Price
TYPE 2: OPTIONAL VEE SETS, WIPERS, NYLON BEARINGS AND RETAINER KITS		
HY-034-00072-300	3" Pack Kit	\$88.39
HY-034-00072-400	4" Pack Kit	117.07
HY-034-00072-500	5" Pack Kit	139.09
HY-034-00072-600	6" Pack Kit	157.72
HY-034-00072-700	7" Pack Kit	177.64
HY-034-00072-812	8-1/8" Pack Kit	309.44
HY-034-00072-938	9-3/8" Pack Kit	398.98
MULTIPLE STAGE KITS		
HY-034-00072-46	4" - 6"	\$408.01
HY-034-00072-47	4" - 7"	583.36
HY-034-00072-48-1/8	4" - 8-1/8"	947.97
HY-034-00072-49-3/8	4" - 9-3/8"	1,466.21
HY-034-00072-57	5" - 7"	472.32
HY-034-00072-58-1/8	5" - 8-1/8"	746.15

70,000 SERIES CYLINDERS

Part Number	Description	List Price
TYPE 1: U-SEALS, WIPERS, NYLON BEARINGS AND RETAINER KITS		
HY-B15252-300	3" Pack Kit	\$90.62
HY-B15252-400	4" Pack Kit	113.24
HY-B15252-600	6" Pack Kit	143.13
HY-B15252-700	7" Pack Kit	166.26
HY-B15252-812	8-1/8" Pack Kit	279.36
HY-B15252-938	9-3/8" Pack Kit	395.95
MULTIPLE STAGE KITS		
HY-B15252-46	4" - 6"	\$382.48
HY-B15252-47	4" - 7"	520.83
HY-B15252-48-1/8	4" - 8-1/8"	803.60
HY-B15252-49-3/8	4" - 9-3/8"	1,272.18
HY-B15252-500	5" Pack Kit	126.02
HY-B15252-57	5" - 7"	418.84
HY-B15252-58-1/8	5" - 8-1/8"	687.82

Part Number	Description	List Price
TYPE 2: OPTIONAL VEE SETS, WIPERS, NYLON BEARINGS AND RETAINER KITS		
HY-B15255-300	3" Pack Kit	\$76.45
HY-B15255-400	4" Pack Kit	98.61
HY-B15255-500	5" Pack Kit	115.00
HY-B15255-600	6" Pack Kit	130.75
HY-B15255-700	7" Pack Kit	148.48
HY-B15255-812	8-1/8" Pack Kit	255.00
HY-B15255-938	9-3/8" Pack Kit	334.15
MULTIPLE STAGE KITS		
HY-B15255-46	4" - 6"	\$338.42
HY-B15255-47	4" - 7"	484.60
HY-B15255-48-1/8	4" - 8-1/8"	806.40
HY-B15255-49-3/8	4" - 9-3/8"	1,081.96
HY-B15255-57	5" - 7"	392.00
HY-B15255-58-1/8	5" - 8-1/8"	624.74

HYCO TELESCOPIC CYLINDERS

70,000 SERIES CYLINDERS INDIVIDUAL PARTS

Part Number	Description	List Price
RETAINER RINGS		
HY-083-50002-00350	3" Retainer Ring	\$35.07
HY-083-50002-00450	4" Retainer Ring	33.12
HY-B9971-5.5	5" Retainer Ring	52.70
HY-B9971-6.5	6" Retainer Ring	52.88
HY-B9971-7.5	7" Retainer Ring	53.46
HY-B9971-988	9-3/8" Retainer Ring	186.78
PISTON WEAR RINGS		
HY-10764-300	3-1/2" Nylon Piston Wear Ring	\$5.28
HY-10764-400	4-1/2" Nylon Piston Wear Ring	5.64
HY-10764-500	5-1/2" Nylon Piston Wear Ring	5.64
HY-10764-600	6-1/2" Nylon Piston Wear Ring	7.39
HY-10764-700	7-1/2" Nylon Piston Wear Ring	7.39
HY-10764-812	8-5/8" Nylon Piston Wear Ring	13.28
HY-10764-938	9-7/8" Nylon Piston Wear Ring	24.95
MISCELLANEOUS PARTS		
HY-A20419	Set Screw for Headnut	\$1.48
HY-A20420	Nylon Slug for Headnut	0.76
HY-A2688	Manual Bleeder Valve (Min Pack 3)	6.15
INDIVIDUAL WIPERS		
HY-080-0005-300	3" Wiper	\$12.39
HY-080-0005-400	4" Wiper	19.15
HY-080-0005-500	5" Wiper	24.98
HY-080-0005-600	6" Wiper	27.92
HY-080-0005-700	7" Wiper	30.25
HY-080-0005-800	8" Wiper	66.43
HY-080-0005-812	8-1/8" Wiper	57.41
HY-080-0005-912	9-1/8" Wiper	100.05
MULTIPLE STAGE WIPER KITS		
HY-080-0005-46	4" - 6"	\$71.88
HY-080-0005-47	4" - 7"	100.94
HY-080-0005-48-1/8	4" - 7" & 8-1/8"	156.21
HY-080-0005-49-1/8	4" - 8" & 9-1/8"	254.70
HY-080-0005-49-3/8	4" - 7", 8-1/8" & 9-3/8"	254.83
HY-080-0005-57	5" - 7"	82.56
HY-080-0005-58-1/8	5" - 7" & 8-1/8"	137.81

CAUTION:
Getting the correct Hyco headnut can be a problem. If you are unsure, call our sales department. Headnuts are measured at the I.D. of the wiper.

Part Number	Description	List Price
BEARINGS		
HY-B12075-3	3" Bearing	\$17.89
HY-B12075-4	4" Bearing	17.72
HY-B12075-5	5" Bearing	18.67
HY-B12075-6	6" Bearing	22.06
HY-B12075-7	7" Bearing	24.25
HY-B12075-8	8" Bearing	29.38
HY-B12075-8.12	8-1/8" Bearing	94.18
HY-B12075-9.12	9-1/8" Bearing	98.46
HY-B12075-9.38	9-3/8" Bearing	87.45
U-SEALS		
HY-085-00001-0300	3" U-SEAL	\$46.88
HY-085-00001-0400	4" U-SEAL	58.06
HY-085-00001-0500	5" U-SEAL	63.36
HY-085-00001-0600	6" U-SEAL	69.52
HY-085-00001-0700	7" U-SEAL	101.25
HY-085-00001-0812	8-1/8" U-SEAL	117.15
HY-085-00001-0938	9-3/8" U-SEAL	152.18
HEAD NUTS		
HY-011-39005W00125	3" Headnut, wiper included	\$89.32
HY-011-49007W00125	4" Headnut, wiper included	101.66
HY-011-59006W00125	5" Headnut, wiper included	112.15
HY-011-69005W00125	6" Headnut, wiper included	124.53
HY-011-79007W00125	7" Headnut, wiper included	172.89
HY-011-93002W00125	8-1/8" Headnut, wiper included	253.70

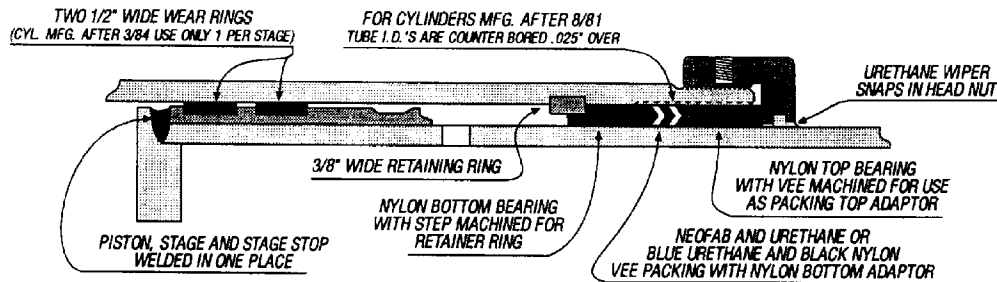
HYCO TELESCOPIC CYLINDERS

IMPORTANT NOTE

When ordering hyco telescopic parts it is helpful to provide a model number and serial number. The serial number is stamped into the base of the cylinder body or is just above the cylinder port. The serial number is the first four or five digits of the number. The last three or four digits indicate the date of manufacture.

EXAMPLE 12345 10 93
SERIAL # MONTH YEAR

30,000 SERIES SINGLE ACTING MANUFACTURED AFTER AUGUST 1, 1981



- PACKING:** Vee packing. Outer bearing serves as top adapter for vee set. Note: Packing area is .025" over nominal bore. There is a "step" above the retainer ring groove where the bore dimension returns to nominal size.
- WIPERS:** Urethane snap-in type.
- BEARINGS:** Glass filled nylon. Outer bearing serves as top adapter for vee set. Inner bearing is "step cut" on o.d. to pilot over snap ring.
- PISTON:** Welded to stage. Uses 1/2" wide replaceable wear rings as bearings. Cylinders manufactured 3/84 and before uses 2 wear rings per stage. Cylinders manufactured after 3/84 use 1 per stage.
- STAGE O.D.'s:** 3", 4", 5", 6", 7", 8", 8-1/8", 8-1/4", 9-1/8", 9-3/8"
- SPECIAL INFO.:** Packing area bore diameter is .025" over nominal dimension. 3/8" thick spring steel snap ring serves as internal stop.
- IDENTIFICATION:** Cylinder model number and serial number stamped on cylinder body near base of cylinder.
Ex: 30001-85-220

The plungers and cylinder tube assembly have a "step" on the inside diameter above retaining ring groove. As a result packing surface is .025" over the plunger base I.D.. Pack sets contain wiper, vee packing, glass filled nylon top & bottom bearings, retainer rings are 3/8" wide, piston guide rings 1/2" wide, cylinders manufactured after 3/84 may only use one wear ring per stage.

Part Number	Description	List Price
VEE PACKING, AND WIPER KITS		
HY-14750-300VSW	3" Packing & Wiper Kit	\$27.65
HY-14750-400VSW	4" Packing & Wiper Kit	34.18
HY-14750-500VSW	5" Packing & Wiper Kit	38.75
HY-14750-600VSW	6" Packing & Wiper Kit	49.28
HY-14750-700VSW	7" Packing & Wiper Kit	66.86
HY-14750-800VSW	8" Packing & Wiper Kit	80.81
HY-14750-812VSW	8-1/8" Packing & Wiper Kit	128.70
HY-14750-912VSW	9-1/8" Packing & Wiper Kit	149.23

Part Number	Description	List Price
VEE PACKING, BUSHING AND WIPER KITS		
HY-14750-300	3" Pack Kit	\$63.14
HY-14750-400	4" Pack Kit	63.14
HY-14750-500	5" Pack Kit	64.58
HY-14750-600	6" Pack Kit	75.31
HY-14750-700	7" Pack Kit	125.17
HY-14750-800	8" Pack Kit	154.62
HY-14750-812	8-1/8" Pack Kit	204.38
HY-14750-825	8-1/4" Pack Kit	221.90
HY-14750-912	9-1/8" Pack Kit	201.08
HY-14750-938	9-3/8" Pack Kit	292.35

HYCO TELESCOPIC CYLINDERS

30,000 SERIES CYLINDERS INDIVIDUAL PARTS

Part Number	Description	List Price
VEE PACKING, BUSHING AND WIPER KITS		
HY-14750-46	4 - 6" Pack Kit	\$202.98
HY-14750-47	4 - 7" Pack Kit	328.10
HY-14750-48	4 - 8" Pack Kit	371.38
HY-14750-482	4 - 8-1/4" Pack Kit	550.00
HY-14750-57	5 - 7" Pack Kit	264.99
HY-14750-58	5 - 8" Pack Kit	419.62

MAJOR REPAIR KITS

Contain vee packing, bushings, wear rings, retainer rings and wipers.

HY-MRK-14750-46	4" - 6"	\$444.77
HY-MRK-14750-47	4" - 7"	650.55
HY-MRK-14750-48	4" - 8"	899.88

RETAINER RINGS

HY-B9971-3.5	3" Retainer Ring	\$74.74
HY-B9971-4.5	4" Retainer Ring	55.59
HY-B9971-5.5	5" Retainer Ring	52.70
HY-B9971-6.5	6" Retainer Ring	52.88
HY-B9971-7.5	7" Retainer Ring	53.46
HY-B9971-8.5	8" Retainer Ring	74.38
HY-B9971-900	8-1/4" Retainer Ring	341.68
HY-B9971-962	9-1/8" Retainer Ring	238.30
HY-B9971-988	9-3/8" Retainer Ring	186.78

PISTON WEAR RINGS

HY-10764-300	3-1/2" Nylon Piston Wear Ring	\$5.28
HY-10764-400	4-1/2" Nylon Piston Wear Ring	5.64
HY-10764-500	5-1/2" Nylon Piston Wear Ring	5.64
HY-10764-600	6-1/2" Nylon Piston Wear Ring	7.39
HY-10764-700	7-1/2" Nylon Piston Wear Ring	7.39
HY-10764-800	8-1/2" Nylon Piston Wear Ring	8.92
HY-10764-812	8-5/8" Nylon Piston Wear Ring	13.28
HY-10764-825	9" Nylon Piston Wear Ring	14.26
HY-10764-900	9-3/4" Nylon Piston Wear Ring	15.23
HY-10764-938	9-7/8" Nylon Piston Wear Ring	24.95

PISTON WEAR RING KITS

HY-10764-46	4-1/2" - 6-1/2" Kit (1 ea. size)	\$26.87
HY-10764-47	4-1/2" - 7-1/2" Kit (1 ea. size)	36.65
HY-10764-48	4-1/2" - 8-1/2" Kit (1 ea. size)	48.61
HY-10764-48.2	4-1/2" - 9" Kit (1 ea. size)	49.13
HY-10764-49	4-1/2" - 9-3/4" Kit (1 ea. size)	68.09
HY-10764-57	5-1/2" - 7-1/2" Kit (1 ea. size)	28.07
HY-10764-58	5-1/2" - 8-1/2" Kit (1 ea. size)	40.01

Part Number	Description	List Price
MISCELLANEOUS PARTS		
HY-ABV103	Automatic Bleeder Valve with S.A.E. O-Ring Seals (For cylinders MFG after 1-1-88). SAE type seal 5/8-18 UNF thread	\$232.25
HY-A20419	Set Screw for Headnut	1.48
HY-A20420	Nylon Slug for Headnut	0.76
HY-A20866	Nylon Slug & Set Screw	3.44

HEADNUTS

CAUTION: Getting the correct Hyco headnut can be a problem. If you are unsure, call our sales department. Headnuts are measured at the I.D. of the wiper.



Part Number	"A" Wiper I.D.	"B" Thread I.D.	Threads/Inch	List Price
HY-011-39005W00125	3"	3.840"	12	\$89.32
HY-011-49007W00125	4"	4.840"	12	101.66
HY-011-59006W00125	5"	5.840"	12	112.15
HY-011-69005W00125	6"	6.840"	12	124.53
HY-011-79007W00125	7"	7.840"	12	172.89
HY-A3535	7" Headnut			258.34
(For 30,000 Series after 9-1-87 and for threading on all 9-1/8" Stages)				
HY-A20558	8-1/8"	9.220"	12	287.42
HY-A3534	8-1/4" Headnut			756.58
(For 30,000 Series after 9/81)				
HY-A20599	9-3/8"	10.670"	12	730.30

NOTE:

REPLACEMENT STAGES AVAILABLE UPON REQUEST.
CYLINDER SERIAL NUMBER IS IMPORTANT

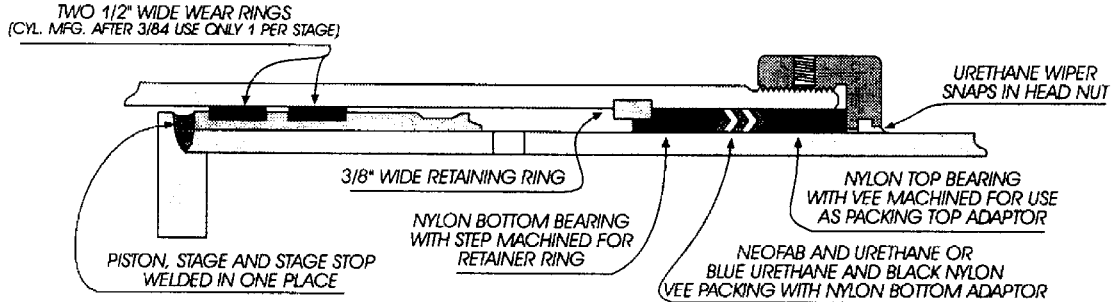
HYCO TELESCOPIC CYLINDERS

30,000 SERIES SINGLE ACTING

MANUFACTURED BEFORE AUGUST 1, 1981

20,000 SERIES DOUBLE ACTING

ALL



HYCO 30,000 SERIES

- PACKING:** Vee packing. Outer bearing serves as top adapter for vee set. All packing is 1/4" cross section, except 9" stage has 3/8" c/s packing and 9-1/8" stage has 5/16" c/s packing.
- WIPERS:** Urethane snap-in type.
- BEARINGS:** Glass filled nylon. Outer bearing serves as top adapter for vee set. Inner bearing is "step-cut" on o.d. to pilot over snap ring.
- PISTON:** Welded to stage. Uses 1/2" wide replaceable wear rings as bearings.
- STAGE O.D.'s:** 3", 4", 5", 6", 7", 8", 8-1/8", 8-1/4", 9", 9-1/8", 9-3/8"
- SPECIAL INFO.:** 3/8" spring steel snap ring serves as internal stop.
- IDENTIFICATION:** Cylinder model number and serial number stamped on cylinder body near base of cylinder. Ex: 30001-85-220

HYCO 20,000 SERIES DOUBLE ACTION

- PACKING:** Vee packing with bottom adaptor. 4" through 8" sizes 1/4" c.s.; 9" is 3/8" c.s.; 9-1/8" is 5/16".
- WIPERS:** Urethane snap-in type.
- BEARINGS:** Glass filled nylon. Top bearing serves as top adapter for vee packing. Inner bearing is step-cut to pilot over snap ring.
- PISTON:** Welded to stage. Uses 1, 1/2" wide nylon wear ring and 2 iron piston rings in separate grooves.
- STAGE O.D.'s:** 3", 4", 5", 6", 7", 8", 9", 9-1/8"
- SPECIAL INFO.:** 3/8" spring steel snap ring serves as internal stop.
- IDENTIFICATION:** Cylinder model number and serial number stamped on cylinder body near base.

Part Number	Description	List Price
VEE PACKING, NYLON TOP & BOTTOM BEARINGS AND WIPER KITS		
HY-14411-300N	3" Pack Kit	\$55.90
HY-14411-400N	4" Pack Kit	55.90
HY-14411-500N	5" Pack Kit	77.63
HY-14411-600N	6" Pack Kit	81.49
HY-14411-700N	7" Pack Kit	105.80
HY-14411-800N	8" Pack Kit	160.22
HY-14411-812N	8-1/8" Pack Kit	222.97
HY-14411-825N	8-1/4" Pack Kit	301.71
HY-14411-900N	9" Pack Kit	344.40
HY-14411-912N	9-1/8" Pack Kit	309.94
HY-14411-938N	9-3/8" Pack Kit	295.98
MULTIPLE STAGE KITS		
HY-14411-46N	4" - 6" Pack Kit	\$215.08
HY-14411-47N	4" - 7" Pack Kit	320.83
HY-14411-48N	4" - 8" Pack Kit	370.06
HY-14411-491N	4" - 9-1/8" Pack Kit	790.94
HY-14411-49N	4" - 9" Pack Kit	825.40

Part Number	Description	List Price
VEE PACKING, BRONZE TOP BEARING, AND NYLON BOTTOM BEARING AND WIPER KITS		
HY-14411-300B	3" Pack Kit Hytrel & Fab Vees	\$72.03
HY-14411-400B	4" Pack Kit Hytrel & Fab Vees	107.31
HY-14411-500B	5" Pack Kit Hytrel & Fab Vees	121.38
HY-14411-600B	6" Pack Kit Hytrel & Fab Vees	139.92
HY-14411-700B	7" Pack Kit Hytrel & Fab Vees	158.63
HY-14411-800B	8" Pack Kit Hytrel & Fab Vees	173.29
HY-14411-812B	8-1/8" Pack Kit Hytrel & Fab Vees	234.64
HY-14411-825B	8-1/4" Pack Kit Hytrel & Fab Vees	302.50
HY-14411-912B	9-1/8" Pack Kit w/Nyl Top Bearing	319.30
HY-14411-938B	9-3/8" Pack Kit Hytrel & Fab Vees	307.32
Part Number	Stages	List Price
MAJOR REPAIR KITS - SINGLE ACTING		
Contains vee packing, bushings, wear rings, retainer rings and wipers.		
HY-MRK-14411-46	4" - 6"	\$427.73
HY-MRK-14411-47	4" - 7"	606.37
HY-MRK-14411-48	4" - 8"	849.25

HYCO TELESCOPIC CYLINDERS

30,000 SERIES CYLINDERS & 20,000 SERIES CYLINDERS

(MANUFACTURED BEFORE AUGUST 1, 1981)

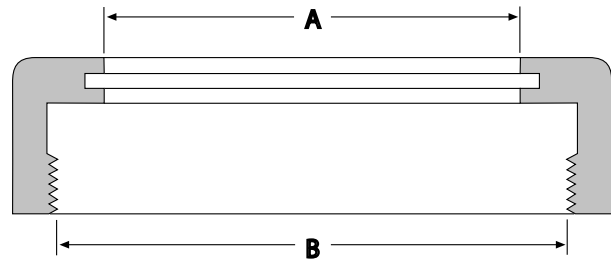
(ALL)

Part Number	Description	List Price
RETAINER RINGS		
HY-B9971-3.5	3" Retainer Ring	\$74.74
HY-B9971-4.5	4" Retainer Ring	55.59
HY-B9971-5.5	5" Retainer Ring	52.70
HY-B9971-6.5	6" Retainer Ring	52.88
HY-B9971-7.5	7" Retainer Ring	53.46
HY-B9971-8.5	8" Retainer Ring	74.38
HY-B9971-900	8-1/4" Retainer Ring	341.68
HY-B9971-962	9-1/8" Retainer Ring	238.30
HY-B9971-988	9-3/8" Retainer Ring	186.78
PISTON WEAR RINGS		
HY-10764-300	3-1/2" Nylon Piston Wear Ring	\$5.28
HY-10764-400	4-1/2" Nylon Piston Wear Ring	5.64
HY-10764-500	5-1/2" Nylon Piston Wear Ring	5.64
HY-10764-600	6-1/2" Nylon Piston Wear Ring	7.39
HY-10764-700	7-1/2" Nylon Piston Wear Ring	7.39
HY-10764-800	8-1/2" Nylon Piston Wear Ring	8.92
HY-10764-812	8-5/8" Nylon Piston Wear Ring	13.28
HY-10764-825	9" Nylon Piston Wear Ring	14.26
HY-10764-900	9-3/4" Nylon Piston Wear Ring	15.23
HY-10764-938	9-7/8" Nylon Piston Wear Ring	24.95
PISTON WEAR RING KITS		
HY-10764-46	4-1/2" - 6-1/2" Kit (1 ea. size)	\$26.87
HY-10764-47	4-1/2" - 7-1/2" Kit (1 ea. size)	36.65
HY-10764-48	4-1/2" - 8-1/2" Kit (1 ea. size)	48.61
HY-10764-48.2	4-1/2" - 9" Kit (1 ea. size)	49.13
HY-10764-49	4-1/2" - 9-3/4" Kit (1 ea. size)	68.09
HY-10764-57	5-1/2" - 7-1/2" Kit (1 ea. size)	28.07
HY-10764-58	5-1/2" - 8-1/2" Kit (1 ea. size)	40.01
CAST IRON PISTON RINGS FOR DOUBLE ACTING CYLINDERS 1/2" WIDE		
HY-B12071-3	3-1/2 Cast Iron Piston Ring	\$61.80
HY-B12071-4	4-1/2 Cast Iron Piston Ring	34.48
HY-B12071-49	4-1/2-9-3/4 Cast Iron Piston Ring Kit	740.60
HY-B12071-5	5-1/2 Cast Iron Piston Ring	41.59
HY-B12071-6	6-1/2 Cast Iron Piston Ring	48.62
HY-B12071-7	7-1/2 Cast Iron Piston Ring	53.28
HY-B12071-8	8-1/2 Cast Iron Piston Ring	75.60
HY-B12071-812	8-5/8 Cast Iron Piston Ring	109.80
HY-B12071-9	9-3/4 Cast Iron Piston Ring	77.95
HY-B12071-938	9-7/8 Cast Iron Piston Ring	425.40

Part Number	Description	List Price
MISCELLANEOUS PARTS		
HY-A20419	Set Screw for Headnut	\$1.48
HY-A20420	Nylon Slug for Headnut	0.76
HY-A20866	Nylon Slug & Set Screw	3.44
HY-A2688	1/8" NPT Manual Bleeder Valve (Min Pack - 3)	6.15

HEADNUTS

CAUTION:
Getting the correct Hyco headnut can be a problem. If you are unsure, call our sales department. Headnuts are measured at the I.D. of the wiper.



Part Number	"A" Wiper I.D.	"B" Thread I.D.	Threads/Inch	List Price
HY-011-39005W00125	3"	3.840"	12	\$89.32
HY-011-49007W00125	4"	4.840"	12	101.66
HY-011-59006W00125	5"	5.840"	12	112.15
HY-011-69005W00125	6"	6.840"	12	124.53
HY-011-79007W00125	7"	7.840"	12	172.89
HY-A3535	7"	8.100"	12	258.34
(For 30,000 Series after 9-1-87 and for threading on all 9-1/8" Stages)				
HY-A3534	8-1/4"	9.780"	12	756.58
HY-A20558	8-1/8"	9.220"	12	287.42
(For 30,000 Series after 9/81)				
HY-A20599	9-3/8"	10.670"	12	730.30

HYCO TELESCOPIC CYLINDERS

20,000 SERIES CYLINDERS WITH K-STYLE WIPERS

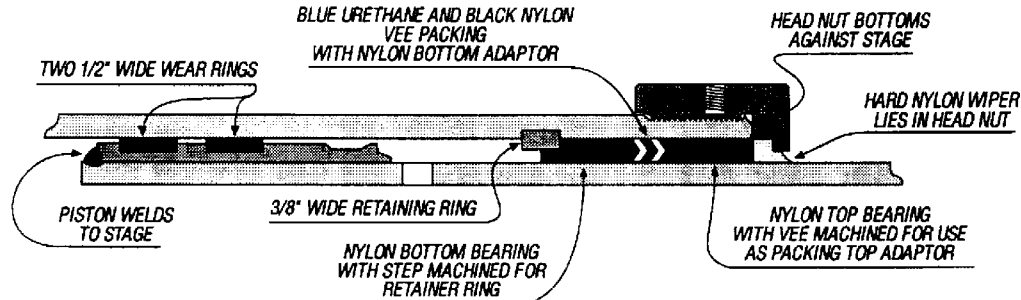
Part Number	Description	List Price
MAJOR REPAIR KITS - SINGLE ACTING		
HY-MRK-034-00020-46	4" - 6" Pack Kit	\$497.58
HY-MRK-034-00020-47	4" - 7" Pack Kit	705.40
HY-MRK-034-00020-48	4" - 8" Pack Kit	990.43
VEE PACKING, BRONZE TOP & NYLON BOTTOM BEARINGS AND 2 WIPER KITS		
HY-034-00020-300B	3" Pack Kit	\$84.01
HY-034-00020-400B	4" Pack Kit	114.04
HY-034-00020-500B	5" Pack Kit	111.16
HY-034-00020-600B	6" Pack Kit	130.18
HY-034-00020-700B	7" Pack Kit	170.48
HY-034-00020-800B	8" Pack Kit	274.97
HY-034-00020-812B	8.12" Pack Kit	322.96
HY-034-00020-912B	9.12" Pack Kit	380.34
HY-034-00020-938B	9.38" Pack Kit	367.33

Part Number	Description	List Price
VEE PACKING, NYLON TOP & BOTTOM BEARINGS AND 2 WIPER KITS		
HY-034-00020-300N	3" Pack Kit	\$67.87
HY-034-00020-400N	4" Pack Kit	74.38
HY-034-00020-500N	5" Pack Kit	102.04
HY-034-00020-600N	6" Pack Kit	108.48
HY-034-00020-700N	7" Pack Kit	135.03
HY-034-00020-800N	8" Pack Kit	214.00
HY-034-00020-812N	8.12" Pack Kit	278.43
HY-034-00020-912N	9.12" Pack Kit	371.00
HY-034-00020-938N	9.38" Pack Kit	356.99
MULTIPLE STAGE KITS		
HY-034-00020-46N	4" - 6" Pack Kit	\$284.65
HY-034-00020-47N	4" - 7" Pack Kit	419.96
HY-034-00020-48N	4" - 8" Pack Kit	620.87
HY-034-00020-491N	4" - 9-1/8" Pack Kit	942.54

HYCO

HYCO TELESCOPIC CYLINDERS

10,000 SERIES CYLINDER CYLINDERS MANUFACTURED FROM JULY, 1974 THROUGH AUGUST, 1976



- PACKING:** Vee packing. Outer bearing serves as top adapter for vee set.
- WIPERS:** Hard black nylon. Does NOT snap into a groove. Wiper is "trapped" between head nut and top bearing.
- BEARINGS:** Glass filled nylon. Outer bearing serves as top adapter for vee set. Inner bearing is "step-cut" to pilot over snap ring.
- PISTON:** Welded to stage. Uses 2 replaceable 1/2" wide wear rings. Pistons are open through the bottom; they have no "plug", so a smaller stage will pass out through the bottom of the piston on a larger stage when the headnut is removed and the stages are removed from the cylinder body.
- STAGE O.D.'s:** 3", 4", 5", 6", 7", 8", 8-1/4"
- SPECIAL INFO.:** 3/8" spring steel snap ring serves as internal stop. Rod eye threads into stage.
- IDENTIFICATION:** Cylinder model number and serial number stamped on cylinder body near base.

For all 10,000 Series Single Acting Cylinders manufactured from 7/74 through 8/76, kits include hard black wipers, vee sets and top and bottom bearings.

Part Number	Description	List Price
PISTON WEAR RINGS		
HY-10764-400	4-1/2" Nylon Piston Wear Ring	\$5.64
HY-10764-500	5-1/2" Nylon Piston Wear Ring	5.64
HY-10764-600	6-1/2" Nylon Piston Wear Ring	7.39
HY-10764-700	7-1/2" Nylon Piston Wear Ring	7.39
HY-10764-800	8-1/2" Nylon Piston Wear Ring	8.92
HY-10764-825	9" Nylon Piston Wear Ring	14.26
RETAINER RINGS		
HY-B9971-4.5	4" Retainer Ring	\$55.59
HY-B9971-5.5	5" Retainer Ring	52.70
HY-B9971-6.5	6" Retainer Ring	52.88
HY-B9971-7.5	7" Retainer Ring	53.46
HY-B9971-8.5	8" Retainer Ring	74.38
HY-B9971-900	8-1/4" Retainer Ring	341.68

Part Number	Description	List Price
VEE PACKING, NYLON TOP & BOTTOM BEARINGS AND WIPER KITS		
HY-11426-300	3" Pack Kit	\$82.07
HY-11426-400	4" Pack Kit	82.38
HY-11426-500	5" Pack Kit	100.22
HY-11426-600	6" Pack Kit	111.48
HY-11426-700	7" Pack Kit	143.28
HY-11426-800	8" Pack Kit	180.08
HY-11426-825	8-1/4" Pack Kit	354.57
MULTIPLE STAGE KITS		
HY-11426-48	4" - 8" Pack Kit	\$611.14

HYCO TELESCOPIC CYLINDERS

IMPORTANT NOTE:

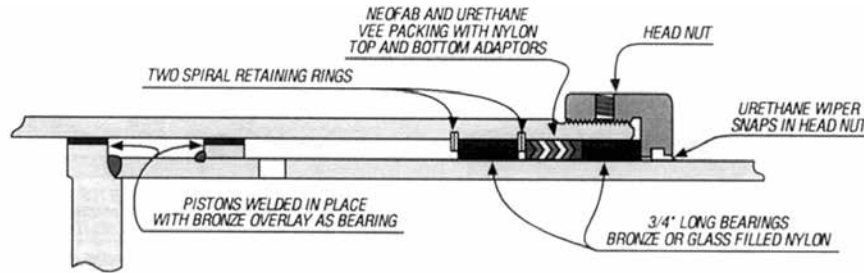
WHEN ORDERING HYCO TELESCOPIC PARTS IT IS HELPFUL TO PROVIDE A MODEL NUMBER AND SERIAL NUMBER. THE SERIAL NUMBER IS STAMPED ONTO A METAL TAG APPLIED TO THE CYLINDER BODY. THE SERIAL NUMBER IS THE FIRST FOUR OR FIVE DIGITS OF THE NUMBER. THE LAST THREE OR FOUR DIGITS INDICATE THE DATE OF MANUFACTURE.

EXAMPLE 12345 10 93
 SERIAL # MONTH YEAR

C900 - C2000 SERIES SINGLE ACTING

MANUFACTURED BEFORE JULY 10, 1974

C9000 SERIES DOUBLE ACTING ALL



- PACKING:** Vee packing with nylon top and bottom adaptors 1/4" c.s. on 4" through 8".
- WIPERS:** Urethane snap-in type.
- BEARINGS:** 2 bearings, one above the vee packing and the other "trapped" between the two spiral retainers. Original bearings were bronze. Currently many replacements are glass filled or mineral filled nylon.
- PISTON:** Single acting cylinders have piston welded to stage. Piston bearings are bronze overlay on steel nylon. Double acting cylinders have steel piston which threads onto stage. Contains 2, 1/2" wide nylon wear rings and 2 cast iron piston rings in common groove.
- STAGE O.D.'s:** 3", 4", 5", 6", 7", 8", 8-1/4", 9", 9-3/4"
- SPECIAL INFO.:** 2 spiral retaining rings with bearings "trapped" between them serving as internal stop.
- IDENTIFICATION:** Cylinder model number and serial number stamped on metal tag applied to cylinder body.

For all C900 - C2000 Series single acting cylinders manufactured before 7/74 and all C9000 Series double acting telescopic, pack kits include only the wiper and vee packing. Nylon and bronze bearings are offered separately.

Part Number	Description	List Price
INDIVIDUAL STAGE VEE PACKING AND WIPER SETS		
HY-2VSW	2" Packing & Wiper	\$25.14
HY-3VSW	3" Packing & Wiper	25.70
HY-4VSW	4" Packing & Wiper	28.56
HY-5VSW	5" Packing & Wiper	32.40
HY-6VSW	6" Packing & Wiper	39.50
HY-7VSW	7" Packing & Wiper	46.12
HY-8VSW	8" Packing & Wiper	51.94
HY-8.12VSW	8-1/8" Packing & Wiper	109.50
HY-8.25VSW	8-1/4" Packing & Wiper	118.75
HY-9VSW	9" Packing & Wiper	134.94
HY-9.12VSW	9-1/8" Packing & Wiper	171.59
HY-9.37VSW	9-3/8" Packing & Wiper	164.62
HY-9.75VSW	9-3/4" Packing & Wiper	256.75

Part Number	Description	List Price
MULTIPLE STAGE VEE PACKING AND WIPER SETS		
HY-35	3" - 5" Pack Kit	\$91.58
HY-36	3" - 6" Pack Kit	139.78
HY-38	3" - 8" Pack Kit	258.65
HY-46	4" - 6" Pack Kit	114.34
HY-47	4" - 7" Pack Kit	170.05
HY-48	4" - 8" Pack Kit	179.06
HY-48-1/4	4" - 8-1/4" Pack Kit	314.62
HY-49	4" - 9" Pack Kit	397.13
HY-57	5" - 7" Pack Kit	142.91
HY-58	5" - 8" Pack Kit	205.88
HY-59-3/4	5" - 9-3/4" Pack Kit	513.57

HYCO TELESCOPIC CYLINDERS

C900 - C2000 SERIES SINGLE ACTING

MANUFACTURED BEFORE JULY10, 1974

AND

C9000 SERIES DOUBLE ACTING

ALL

Part Number	Description	List Price
NYLON BEARINGS		
HY-A2475N	3" Nylon Bearing	\$17.89
HY-A2227N	4" Nylon Bearing	17.38
HY-A2226N	5" Nylon Bearing	18.32
HY-A2225N	6" Nylon Bearing	21.64
HY-A2411N	7" Nylon Bearing	24.25
HY-A2447N	8" Nylon Bearing	29.38
HY-A3438N	8-1/4" Nylon Bearing	55.67
HY-A18415N	9" Nylon Bearing	98.99
NYLON BEARING KITS		
HY-NYB38	2 ea. 3" -8" Nylon Bearings	\$248.89
HY-NYB46	2 ea. 4" - 6" Nylon Bearings	86.58
HY-NYB47	2 ea. 4" - 7" Nylon Bearings	158.82
HY-NYB48	2 ea. 4" - 8" Nylon Bearings	165.23
HY-NYB48-1/4	2 ea. 4" - 8-1/4" Nylon Bearings	264.80
HY-NYB49	2 ea. 4" - 9" Nylon Bearings	403.44
HY-NYB57	2 ea. 5" - 7" Nylon Bearings	124.59
HY-NYB58	2 ea. 5" - 8" Nylon Bearings	180.55
BRONZE BEARINGS		
HY-A2475B	3" Bronze Bearing	\$58.66
HY-A2227B	4" Bronze Bearing	113.18
HY-A2226B	5" Bronze Bearing	94.34
HY-A2225B	6" Bronze Bearing	108.08
HY-A2411B	7" Bronze Bearing	162.16
HY-A2447B	8" Bronze Bearing	169.29
HY-A3438B	8-1/4" Bronze Bearing	237.58
HY-A8258	9-3/4" Bottom Bronze Bearing	313.69
HY-A8308	9-3/4" Top Bronze Bearing	712.97
SPIRAL RETAINERS		
HY-A2477	3" Spiral Retainer	\$4.94
HY-A17794	4" Spiral Retainer	11.75
HY-A17793	5" Spiral Retainer	12.01
HY-A2228	6" Spiral Retainer	9.30
HY-A3012	7" Spiral Retainer	12.32
HY-A3013	8" Spiral Retainer	15.27
HY-A4616	8-1/4" Spiral Retainer	97.41
HY-A18387	9" Spiral Retainer	73.75
HY-A8246	9-3/4" Spiral Retainer	128.49
SPIRAL RETAINER KITS		
HY-SR48	2 ea. 4" - 8" Spiral Retainers	\$179.79
HY-SR49	2 ea. 4" - 9" Spiral Retainers	399.76
HY-SR58	2 ea. 5" - 8" Spiral Retainers	144.17

Part Number	Description	List Price
PISTON RINGS Double Acting Only		
HY-A18029	4-1/2" O.D. Cast Iron Piston Ring	\$16.20
HY-A18028	5-1/2" O.D. Cast Iron Piston Ring	22.22
HY-A18027	6-1/2" O.D. Cast Iron Piston Ring	26.67
HY-A18026	7-1/2" O.D. Cast Iron Piston Ring	40.42
HY-A18025	8-1/2" O.D. Cast Iron Piston Ring	56.57
HY-A18385	9-3/4" O.D. Cast Iron Piston Ring	89.91
PISTON RING KITS Double Acting Only		
HY-PR48	2 ea. 4-1/2"-8-1/2" Piston Rings	\$358.09
HY-PR49	2 ea. 4-1/2"-9-3/4" Piston Rings	519.81
PISTON WEAR RINGS Double Acting Only		
HY-10764-400	4-1/2" O.D. Piston Wear Ring	\$5.64
HY-10764-500	5-1/2" O.D. Piston Wear Ring	5.64
HY-10764-600	6-1/2" O.D. Piston Wear Ring	7.39
HY-10764-700	7-1/2" O.D. Piston Wear Ring	7.39
HY-10764-800	8-1/2" O.D. Piston Wear Ring	8.92
HY-10764-900	9-3/4" O.D. Piston Wear Ring	15.23
NYLON PISTON WEAR RING KITS Double Acting Only		
HY-NPB48	2 ea. 4-1/2"-8-1/2" Piston Wear Rings	\$90.97
HY-NPB49	2 ea. 4-1/2"-9-3/4" Piston Wear Rings	129.79
HEADNUTS		
Getting the correct Hyco headnut can be a problem. If you are unsure, call our sales department. Headnuts are measured at the I.D. of the wiper.		
HY-011-39005W00125	3" Headnut	\$89.32
HY-011-49007W00125	4" Headnut	101.66
HY-011-59006W00125	5" Headnut	112.15
HY-011-69005W00125	6" Headnut	124.53
HY-011-79007W00125	7" Headnut	172.89
HY-A3535	7" Headnut	258.34
HY-A3534	8-1/4" Headnut	756.58
HY-A18411	9" Headnut	262.78

HYCO PISTON-ROD CYLINDERS

Kit Number	Cylinder Number	Code (Pg. xiv)	Rod X Bore Size	List Price
HY-A18881	C4979	I-V-12	2 X 4-1/2	\$84.04
HY-A22227	C6312	I-V-5	2 X 4	78.03
HY-A22228	C6404	I-N-4	2-1/2 X 3-1/2	28.51
HY-A22229	C6403	I-V-5	2-1/2 X 6	132.08
HY-A22230	C6443	I-V-5	2 X 5	99.45
HY-A22231	C6402	I-V-5	3 X 5	109.07
HY-A22286	C6304	I-U-5	3 X 5	106.06
HY-A22368	C5845	I-U-5	2-1/2 X 5	101.22
HY-A22891	C6591	I-U-5	3-1/2 X 4-1/2	101.22
HY-C2062K	C2062	I-V-9	2 X 6-1/2	127.03
HY-C2526K	C2526	I-V-7	2-1/2 X 5	121.44
HY-C2670K	C2670	I-V-5	2 X 3-1/4	98.24
HY-C2672K	C2672	I-V-5	2-1/2 X 5	144.07
HY-C2699K	C2699	I-V-5	2 X 4	111.01
HY-C3571K	C3571	I-V-9	1-1/2 X 3-1/2	105.73
HY-C3650K	C3650	I-V-5	3 X 6	109.74
HY-C4658K	C4658	I-V-5	3 X 7	127.75
HY-C4797K	C4797	I-V-9	3 X 7	289.92
HY-C6217K	C6217	I-V-9	2 X 6	197.09
HY-C6410K	C6410	I-U-5	2 X 4	79.93
HY-C6429K	C6429	I-V-5	3 X 7	177.11

REPLACEMENT KITS

Kit Number	Code (Pg. xviii)	Rod X Bore Size	List Price
HY-308-7244-0	I-U-10	1 X 2	\$21.60
HY-312-7753-0	I-U-5	2-1/2 X 3	55.89
HY-316-7754-0	I-U-5	3-1/2 X 4	87.65

HYDRO-AX

Repair parts for Hydro-Ax are available online at www.HerculesUS.com or by contacting the Hercules Sales Team at the information provided below.

HYSSTER

HYSSTER

Kit Number	Code (Pg. xviii)	Rod X Bore Size	List Price
HYS-1332565	I-U-1	1-7/8 X 2-1/4	\$64.96
HYS-1334570	I-U-4	3-1/2 X 4	94.09
HYS-1334571	I-N-5	4 X 4-1/2	118.53
HYS-133462	I-V-1	1-3/4" ROD	27.62
HYS-1355337		GEAR KIT	33.77
HYS-144267		O-RING KIT	16.69
HYS-148292	N-N-8	3-1/4" PISTON KIT	73.15
HYS-148414	I-V-1	1-3/4" ROD	30.11
HYS-149193	N-N-P	2-1/2" BORE	26.97
HYS-149194	P-V-1	1-3/4 X 2-1/2	37.00
HYS-149254	I-V-1	1-3/4" ROD	25.28
HYS-149258	P-V-1	2" ROD	56.73
HYS-149259	N-V-1	2-1/4" ROD	32.88
HYS-149260	I-V-1	1-1/4" ROD	31.07
HYS-149292		O-RING KIT	9.37
HYS-1494726	P-U-10	1-3/4 X 4	44.60
HYS-168801	N-U-12	1 X 3	81.10
HYS-170881	P-V-8	1-1/4 X 3	54.40
HYS-2026822	P-U-10	35 X 65 mm	110.76
HYS-2085015	P-U-13	35 X 70 mm	87.28
HYS-226074	I-U-8	1-1/2 X 3-1/2	69.38
HYS-2302714	I-U-11	28 mm X 2-1/2	26.99
HYS-2303974	I-U-1	3 X 3-3/4	65.71
HYS-250050	P-U-10	1-1/2 X 3-1/2	53.34
HYS-250051	P-U-10	1-1/4 X 3	56.62
HYS-250550	I-U-4	4-1/4 X 6	170.38
HYS-250559	I-U-4	5-1/4 X 7-1/2	234.08
HYS-250603	I-U-8	1 X 2-1/2	65.50
HYS-250937	I-U-8	1-1/2 X 3.525	156.35
HYS-250943	I-U-1	3.70, 5.45 Stages	287.71

Kit Number	Code (Pg. xviii)	Rod X Bore Size	List Price
HYS-280182	I-O-10	1 X 2-1/4	\$20.76
HYS-280537	I-U-4	2-1/8 X 2-1/2	71.44
HYS-281474	P-U-10	1-1/2 X 3-1/2	56.00
HYS-281815	I-U-10	1-3/4 X 3-1/2	28.68
HYS-281822	I-U-10	1-1/4 X 3	26.26
HYS-281855	I-U-10, 12	1-3/4 X 3-1/2	59.31
HYS-281859	I-U-10, 12	2-1/4 X 3-1/2	63.16
HYS-281864	I-U-10	1-3/4 X 3-1/2	28.89
HYS-314993		O-RING KIT	8.26
HYS-318005	I-U-1	2-3/4, 3-3/4 Stages	94.20
HYS-321758	I-U-10	2-1/4 X 4-1/2	42.54
HYS-321909	I-U-5	3 X 4-3/4	156.28
HYS-323645	I-U-8	1-3/4 X 4	77.82
HYS-327393	I-U-4	2-1/8 X 2-1/2	52.25
HYS-328074	I-U-10	1-1/4 X 2-3/4	31.46
HYS-328121	P-U-10	1-1/4 X 3	61.33
HYS-328226	P-U-10	1-3/4 X 4-1/4	63.76
HYS-333742	P-U-10	2-1/8 X 3	91.58
HYS-334997	I-U-10	1-1/4 X 2-3/4	36.50
HYS-337281	I-U-4	1-3/8 X 2	51.30
HYS-339347	I-U-4	4, 5 Stages	216.77
HYS-340079	N-U-4	1-3/4 X 2-3/4	66.37
HYS-355695	P-U-10	1-3/8 X 3	54.59
HYS-355909	I-U-5	1-1/2 X 4	78.08
HYS-381762	I-U-10	2-7/8 X 4-1/2	86.10
HYS-383991	P-U-10	1-1/4 X 3	52.25
HYS-48628	I-U-4	3/4 X 1-5/8	26.23
HYS-629326		HOSE REEL KIT	10.26
HYS-639456	I-U-4	3 X 3-1/2	83.16
HYS-643280	I-U-4	3 X 3-1/2	87.94

Replacement Kits For

HYUNDAI

Excavators					
APPLICATION	CODE	ROD	BORE	KIT #	List \$
MODEL 130LC					
ARM	P-UB-10	80 mm	115 mm	HYU-91E6-2712	583.17
BOOM	P-UB-10	75 mm	105 mm	HYU-91E6-2711	191.19
BUCKET	P-UB-10	70 mm	100 mm	HYU-91E6-2713	207.77
MODEL R140LC-7					
ADJUST BOOM (LH)	P-UB-14	75 mm	105 mm	HYU-31Y1-21200	90.22
ADJUST BOOM (RH)	P-UB-14	75 mm	105 mm	HYU-31Y1-21200	90.22
ADJUST BOOM SAFETY VALVE	P-UB-14	90 mm	145 mm	HYU-31Y1-16170	170.64
ARM	P-UB-14	80 mm	115 mm	HYU-31Y1-18110	131.56
	P-UB-14	80 mm	115 mm	HYU-31Y1-18110	131.56
	P-UB-14	80 mm	115 mm	HYU-31Y1-18110	131.56
	P-UB-14	80 mm	115 mm	HYU-31Y1-18110	131.56
BLADE (LH)	P-UB-14	70 mm	100 mm	HYU-31Y1-04032	93.16
	P-UB-14	70 mm	100 mm	HYU-31Y1-04031	64.84
BLADE (RH)	P-UB-14	70 mm	100 mm	HYU-31Y1-04031	64.84
	P-UB-14	70 mm	100 mm	HYU-31Y1-04032	93.16
BOOM (LH)	P-UB-14	75 mm	105 mm	HYU-31Y1-18170	76.55
BOOM (RH)	P-UB-14	75 mm	105 mm	HYU-31Y1-18170	76.55
BUCKET	P-UB-14	70 mm	100 mm	HYU-31Y1-18210	120.85
MODEL R140LC-7A					
ADJUST BOOM (LH)	P-UB-14	75 mm	105 mm	HYU-31Y1-21200	90.22
ADJUST BOOM (RH)	P-UB-14	75 mm	105 mm	HYU-31Y1-21200	90.22
ADJUST BOOM SAFETY VALVE	P-UB-14	90 mm	145 mm	HYU-31Y1-16170	170.64
ARM	P-UB-14	80 mm	115 mm	HYU-31Y1-18110	131.56
BLADE (LH)	P-UB-14	70 mm	100 mm	HYU-31Y1-04032	93.16
BLADE (RH)	P-UB-14	70 mm	100 mm	HYU-31Y1-04032	93.16
BOOM (LH)	P-UB-14	75 mm	105 mm	HYU-31Y1-18170	76.55
BOOM (RH)	P-UB-14	75 mm	105 mm	HYU-31Y1-18170	76.55
BUCKET	P-UB-14	70 mm	100 mm	HYU-31Y1-18210	120.85
MODEL R160LC-7					
ADJUST	P-UB-14	95 mm	160 mm	HYU-31Y1-24090	143.87
ADJUST BOOM (LH)	P-UB-14	80 mm	115 mm	HYU-31Y1-20430	134.30
ADJUST BOOM (RH)	P-UB-14	80 mm	115 mm	HYU-31Y1-20430	134.30
ARM	P-UB-14	85 mm	120 mm	HYU-31Y1-20450	152.22
BLADE (LH)	P-UB-14	75 mm	110 mm	HYU-31Y1-13010	91.84
BLADE (RH)	P-UB-14	75 mm	110 mm	HYU-31Y1-13010	91.84
BOOM (LH)	P-UB-14	80 mm	115 mm	HYU-31Y1-20430	134.30
BOOM (RH)	P-UB-14	80 mm	115 mm	HYU-31Y1-20430	134.30
BUCKET	P-UB-14	80 mm	115 mm	HYU-31Y1-20340	103.75
MODEL R160LC-7A					
ADJUST	P-UB-14	95 mm	160 mm	HYU-31Y1-24090	143.87
ADJUST BOOM (LH)	P-UB-14	80 mm	115 mm	HYU-31Y1-20430	134.30
ADJUST BOOM (RH)	P-UB-14	80 mm	115 mm	HYU-31Y1-20430	134.30
ARM	P-UB-14	85 mm	120 mm	HYU-31Y1-20450	152.22
BLADE (LH)	P-UB-14	75 mm	110 mm	HYU-31Y1-13010	91.84
BLADE (RH)	P-UB-14	75 mm	110 mm	HYU-31Y1-13010	91.84
BOOM (LH)	P-UB-14	80 mm	115 mm	HYU-31Y1-20430	134.30
BOOM (RH)	P-UB-14	80 mm	115 mm	HYU-31Y1-20430	134.30
BUCKET	P-UB-14	80 mm	115 mm	HYU-31Y1-20340	103.75
MODEL R200LC, R210LC					
ARM	P-UB-14	95 mm	140 mm	HYU-91E1-2707	674.45
BOOM	P-UB-14	85 mm	125 mm	HYU-91E1-2706	516.49
BUCKET	P-UB-14	80 mm	120 mm	HYU-91E1-2708	550.61
MODEL R210LC-3					
ARM	P-UB-14	95 mm	140 mm	HYU-31Y1-06731	112.60

HYUNDAI

Replacement Kits For

HYUNDAI

Excavators

APPLICATION	CODE	ROD	BORE	KIT #	List \$
MODEL R210LC-3					
ARM	P-UB-14	95 mm	140 mm	HYU-31Y1-06731	112.60
ARM (2 Piece Boom)	P-UB-14	95 mm	140 mm	HYU-31Y1-06731	112.60
ARM (LR)	P-UB-14	95 mm	140 mm	HYU-31Y1-06731	112.60
BOOM (Adjust)	P-UB-14	100 mm	160 mm	HYU-31Y1-12630	218.42
BOOM (LH)	P-UB-14	85 mm	120 mm	HYU-31Y1-06561	130.22
	P-UB-14	85 mm	120 mm	HYU-31Y1-06561	130.22
BOOM (RH)	P-UB-14	85 mm	120 mm	HYU-31Y1-06561	130.22
	P-UB-14	85 mm	120 mm	HYU-31Y1-06561	130.22
BUCKET	P-UB-14	80 mm	115 mm	HYU-31Y1-06841	94.65
	P-UB-14	80 mm	115 mm	HYU-31Y1-06841	94.65
BUCKET (LR)	P-UB-14	70 mm	100 mm	HYU-31Y1-13800	87.37
	P-UB-14	65 mm	100 mm	HYU-31Y1-02870	63.90
MODEL R210LC-7					
ARM	P-UB-14	100 mm	140 mm	HYU-31Y1-15230N	335.33
ARM (LR)	P-UB-14	95 mm	140 mm	HYU-31Y1-06731N	338.64
BOOM	P-UB-14	85 mm	120 mm	HYU-31Y1-15880N	269.33
BUCKET	P-UB-14	85 mm	125 mm	HYU-31Y1-15700N	277.88
BUCKET (LR)	P-UB-14	70 mm	100 mm	HYU-31Y1-13800N	304.42
MODEL R210LC-7A					
ARM	P-UB-14	100 mm	140 mm	HYU-31Y1-15236	173.65
ARM (LR)	P-UB-14	95 mm	140 mm	HYU-31Y1-06731	112.60
BOOM (LH)	P-UB-14	85 mm	120 mm	HYU-31Y1-15885	135.66
BOOM (RH)	P-UB-14	85 mm	120 mm	HYU-31Y1-15885	135.66
BUCKET	P-UB-14	85 mm	125 mm	HYU-31Y1-15705	163.11
BUCKET (LR)	P-UB-14	70 mm	100 mm	HYU-31Y1-13800	87.37
MODEL R210LC-9					
ARM	P-UB-14	100 mm	140 mm	HYU-31Y1-28790	163.59
	P-UB-14	100 mm	140 mm	HYU-31Y1-28790	163.59
ARM (Long Reach)	P-UB-14	100 mm	140 mm	HYU-31Y1-28790	163.59
BOOM (LH)	P-UB-14	85 mm	120 mm	HYU-31Y1-28960	142.97
BOOM (RH)	P-UB-14	85 mm	120 mm	HYU-31Y1-28960	142.97
BUCKET	P-UB-14	85 mm	120 mm	HYU-31Y1-29100	142.97
	P-UB-14	85 mm	120 mm	HYU-31Y1-29100	142.97
BUCKET (Long Reach)	P-UB-14	70 mm	100 mm	HYU-31Y1-36850	100.61
	P-UB-14	70 mm	100 mm	HYU-31Y1-36851	153.64
MODEL R280LC, R320LC-1					
ARM	P-UB-10	105 mm	150 mm	HYU-91E2-2708	234.25
BOOM	P-UB-10	95 mm	145 mm	HYU-91E2-2707	628.41
BUCKET	P-UB-10	95 mm	145 mm	HYU-91E2-2709	602.72
MODEL R290LC-7					
ARM	P-UB-14	110 mm	150 mm	HYU-31Y1-15040	198.11
	P-UB-14	110 mm	150 mm	HYU-31Y1-15047	210.01
	P-UB-14	110 mm	150 mm	HYU-31Y1-15045	130.33
BOOM (LH)	P-UB-14	100 mm	140 mm	HYU-31Y1-15390	176.41
	P-UB-14	100 mm	140 mm	HYU-31Y1-15395	174.25
BOOM (RH)	P-UB-14	100 mm	140 mm	HYU-31Y1-15395	174.25
	P-UB-14	100 mm	140 mm	HYU-31Y1-15390	176.41
BUCKET	P-UB-14	95 mm	140 mm	HYU-31Y1-15545	162.81
	P-UB-14	95 mm	140 mm	HYU-31Y1-15540	163.85
	P-UB-14	95 mm	140 mm	HYU-31Y1-15540	163.85
BUCKET (LR)	P-UB-14	70 mm	100 mm	HYU-31Y1-13800	87.37
MODEL R290LC-7A					
ARM	P-UB-14	110 mm	150 mm	HYU-31Y1-15047	210.01
	P-UB-14	110 mm	150 mm	HYU-31Y1-15045	130.33
	P-UB-14	110 mm	150 mm	HYU-31Y1-30111	146.54
	P-UB-14	110 mm	150 mm	HYU-31Y1-15045	130.33
BOOM (LH)	P-UB-14	100 mm	140 mm	HYU-31Y1-15395	174.25

HYUNDAI

Replacement Kits For

HYUNDAI

Excavators					
APPLICATION	CODE	ROD	BORE	KIT #	List \$
MODEL R290LC-7A					
BOOM (RH)	P-UB-14	100 mm	140 mm	HYU-31Y1-15395	174.25
BUCKET	P-UB-14	95 mm	140 mm	HYU-31Y1-15545	162.81
BUCKET (LR)	P-UB-14	70 mm	100 mm	HYU-31Y1-13800	87.37
MODEL R420LC, R450LC					
ARM	P-UB-14	120 mm	185 mm	HYU-31E7-2712	903.34
BOOM	P-UB-14	110 mm	160 mm	HYU-31E7-2711	296.30
BUCKET	P-UB-14	110 mm	160 mm	HYU-31E7-2713	1017.09

HYUNDAI

Kit Number	Code (Pg. xviii)	Rod X Bore Size	List Price	Kit Number	Code (Pg. xviii)	Rod X Bore Size	List Price
HYU-31E7-2711	P-UB-14	110 X 160 mm	\$296.30	HYU-31Y1-16170	P-UB-14	90 X 145 mm	\$170.64
HYU-31E7-2712	P-UB-14	120 X 185 mm	903.34	HYU-31Y1-18110	P-UB-14	80 X 115 mm	131.56
HYU-31E7-2713	P-UB-14	110 X 160 mm	1,017.09	HYU-31Y1-18170	P-UB-14	75 X 105 mm	76.55
HYU-31Y1-02870	P-UB-14	65 X 100 mm	63.90	HYU-31Y1-18210	P-UB-14	70 X 100 mm	120.85
HYU-31Y1-04031	P-UB-14	70 X 100 mm	64.84	HYU-31Y1-20340	P-UB-14	80 X 115 mm	103.75
HYU-31Y1-04032	P-UB-14	70 X 100 mm	93.16	HYU-31Y1-20430	P-UB-14	80 X 115 mm	134.30
HYU-31Y1-05260	P-UB-14	85 X 125 mm	380.18	HYU-31Y1-20450	P-UB-14	85 X 120 mm	152.22
HYU-31Y1-06561	P-UB-14	85 X 120 mm	130.22	HYU-31Y1-21200	P-UB-14	75 X 105 mm	90.22
HYU-31Y1-06731	P-UB-14	95 X 140 mm	112.60	HYU-31Y1-24090	P-UB-14	95 X 160 mm	143.87
HYU-31Y1-06731N	P-UB-14	95 X 140 mm	338.64	HYU-31Y1-28790	P-UB-14	100 X 140 mm	163.59
HYU-31Y1-06841	P-UB-14	80 X 115 mm	94.65	HYU-31Y1-28960	P-UB-14	85 X 120 mm	142.97
HYU-31Y1-12630	P-UB-14	100 X 160 mm	218.42	HYU-31Y1-29100	P-UB-14	85 X 120 mm	142.97
HYU-31Y1-13010	P-UB-14	75 X 110 mm	91.84	HYU-31Y1-30111	P-UB-14	110 X 150 mm	146.54
HYU-31Y1-13800	P-UB-14	70 X 100 mm	87.37	HYU-31Y1-32140	P-UB-14	125 X 185 mm	278.96
HYU-31Y1-13800N	P-UB-14	70 X 100 mm	304.42	HYU-31Y1-36850	P-UB-14	70 X 100 mm	100.61
HYU-31Y1-15040	P-UB-14	110 X 150 mm	198.11	HYU-31Y1-36851	P-UB-14	70 X 100 mm	153.64
HYU-31Y1-15045	P-UB-14	110 X 150 mm	130.33	HYU-91E1-2706	P-UB-14	85 X 125 mm	516.49
HYU-31Y1-15047	P-UB-14	110 X 150 mm	210.01	HYU-91E1-2707	P-UB-14	95 X 140 mm	674.45
HYU-31Y1-15230N	P-UB-14	100 X 140 mm	335.33	HYU-91E1-2708	P-UB-14	80 X 120 mm	550.61
HYU-31Y1-15236	P-UB-14	100 X 140 mm	173.65	HYU-91E2-2707	P-UB-10	95 X 145 mm	628.41
HYU-31Y1-15390	P-UB-14	100 X 140 mm	176.41	HYU-91E2-2708	P-UB-10	105 X 150 mm	234.25
HYU-31Y1-15395	P-UB-14	100 X 140 mm	174.25	HYU-91E2-2709	P-UB-10	95 X 145 mm	602.72
HYU-31Y1-15540	P-UB-14	95 X 140 mm	163.85	HYU-91E6-2711	P-UB-10	75 X 105 mm	191.19
HYU-31Y1-15545	P-UB-14	95 X 140 mm	162.81	HYU-91E6-2712	P-UB-10	80 X 115 mm	583.17
HYU-31Y1-15700N	P-UB-14	85 X 125 mm	277.88	HYU-91E6-2713	P-UB-10	70 X 100 mm	207.77
HYU-31Y1-15705	P-UB-14	85 X 125 mm	163.11	HYU-91E8-2707	P-UB-14	100 X 140 mm	842.50
HYU-31Y1-15880N	P-UB-14	85 X 120 mm	269.33	HYU-91E8-2708	P-UB-14	110 X 160 mm	1,078.77
HYU-31Y1-15885	P-UB-14	85 X 120 mm	135.66	HYU-91E8-2709	P-UB-14	100 X 140 mm	912.14

HYUNDAI

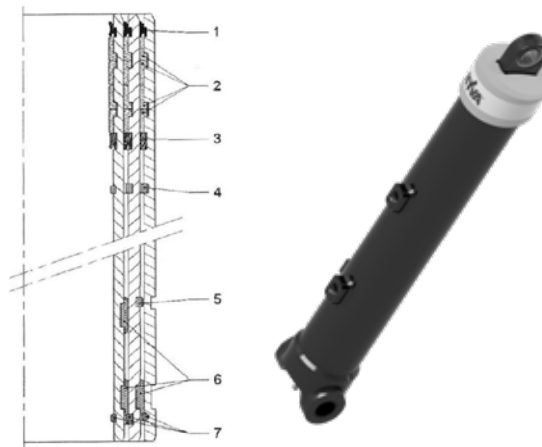
HYVA TELESCOPICS

Hercules Sealing Products provides repair kits for the popular front-end tipping cylinders with Outer Cover (FC) and with Rod Eye (FEE) mount.

PACKING KIT
CONSISTS OF:

- 1 - Wiper
- 2 - Bearings
- 3 - U-seals

PACKING: Twin lip 92A urethane U-seals
 WIPERS: Dual lips snap-in 92A urethane
 BEARINGS: Polyacetal L-shaped bearing rings
 STAGES (FC): 60, 78, 99, 120, 141, 162, 183 and 207
 STAGES (FEE): 72, 91, 110, 129, 149, 169 and 191



FC Series Front-End Tipping Cylinders		
Kit Number	Description	List Price
Wiper, U-Seal and Bearing Kits		
HYVA-017-600-87K	60 mm Pack Kit	\$56.12
HYVA-017-600-75K	78 mm Pack Kit	69.99
HYVA-017-600-63K	99 mm Pack Kit	84.10
HYVA-017-600-51K	120 mm Pack Kit	94.76
HYVA-017-600-40K	141 mm Pack Kit	104.64
HYVA-017-600-38K	162 mm Pack Kit	124.61
HYVA-017-600-26K	183 mm Pack Kit	146.13
HYVA-017-600-14K	207 mm Pack Kit	196.02
Multi-Stage Kits		
HYVA-120-3	78, 99 & 120 Kit	\$219.07
HYVA-141-4	78, 99, 120 & 141 Kit	328.15
HYVA-162-4	99, 120, 141 & 162 Kit	416.81
HYVA-183-5	99, 120, 141, 162 & 183 Kit	517.40
HYVA-207-5	120, 141, 162, 183 & 207 Kit	627.48

FEE Series Front-End Tipping Cylinders		
Kit Number	Description	List Price
Multi-Stage Kits		
HYVA-71908330K	COMPLETE SEAL KIT ALPHA 110-3	\$271.10
HYVA-71908430K	COMPLETE SEAL KIT ALPHA 129-3	335.32
HYVA-71908530K	COMPLETE SEAL KIT ALPHA 149-3	399.92
HYVA-71908540K	COMPLETE SEAL KIT ALPHA 149-4	439.90
HYVA-71908750K	COMPLETE SEAL KIT ALPHA 191-5	548.99

INGERSOLL-RAND

Kit Number	Code (Pg. xviii)	Rod X Bore Size	List Price
IR-50428648	I-U-10	3 X 5	\$48.35
IR-50779636	P-U-10	3 X 6	76.25
IR-51241909	PISTON SEAL	4-1/2	28.95
IR-51293074	PISTON SEAL	6	47.75
IR-51293082	WEAR RING	6 X 5/8	6.87
IR-51293413	WIPER	1-1/2	15.00
IR-51293421	PISTON SEAL	2-1/2	11.20
IR-51318095	O-RING KIT		13.88
IR-51324887	I-SPB-1	53,63 mm	272.04
IR-52119906	VALVE KIT		21.42
IR-52163987	P-U-10	3 X 4	115.59
IR-58150798	I-U-5	1-1/2 X 3-1/2	56.30

Kit Number	Code (Pg. xviii)	Rod X Bore Size	List Price
IR-59484246	I-U-10	1-1/8 X 2-1/2	\$38.45
IR-6589792	I-U-10	1-1/2 X 3-1/4	36.00
IR-6661441	P-O-1	1-1/8 Shaft Kit	6.96
IR-6803329	I-U-10	1-1/4 X 2	35.58
IR-6803472	I-U-10	1 X 2	27.65
IR-6804605	I-U-10	1-1/2 X 3-1/4	61.42
IR-70035308	I-V-5	70 X 100 mm	435.32
IR-70035324	I-U-10	63 X 100 mm	99.94
IR-95086807	O-RING	Min.Pack 5	2.41
IR-95086823	O-RING	Min.Pack 5	2.71
IR-95295879	O-RING	Min. Pack 1	35.31
IR-97114698	OIL SEAL		23.01

INTERNATIONAL HARVESTER

Kit Number	Code (Pg. xviii)	Rod X Bore Size	List Price
IH1124732C94	P-U-10	1-1/2 X 3	\$101.15
IH1124738C91	P-U-10	1-1/2 X 4	57.03
IH-1279399H91	P-U-10	2 X 3-1/2	96.04
IH-1434418H91	P-UB-10	2 X 3-1/2	89.39
IH1124745C91	P-UB-10	2 X 4	88.04
IH1124749C91	P-U-10	2-3/4 X 4-1/2	88.11
IH1124749C93	P-U-10	2-3/4 X 4-1/2	88.11
IH1124749C94	P-UB-10	2-3/4 X 4-1/2	119.67
IH-1124749C93	P-UB-10	2-3/4 X 4-1/2	88.11
IH-636139C91	I-U-10	2-3/4 X 5	216.77
IH1124757C94	P-UB-10	2-3/4 X 5-1/2	382.45
IH-1124760C94	P-UB-10	3-1/4 X 6	517.42
IH1124774C93	P-UB-10	3-1/2 X 7	400.88
IH1124867C91	P-U-10, 12	3-3/4, 5-3/4, 6-3/4 Stages	1,299.55
IH1124857C94	P-UB-10	4-1/4 X 8-1/2	660.49
IH1126587C91	P-U-10	2 X 3-1/2	68.75
IH1126592C91	P-U-10	2-3/4 X 4-1/2	78.31
IH1126614C91	P-U-10	2-1/2 X 6-1/2	107.77
IH386693R92	P-OB-10	1-1/2 X 2-1/2	38.02
IH471270R95	P-U-10, 12	1-1/2 X 2-1/2	65.78
IH533625R93	P-U-10	2-1/2 X 4-1/2	71.30
IH533626R93	P-U-10	2-1/2 X 4	71.02
IH545299R92	P-U-10	2-1/4 X 3-1/2	67.97
IH545300R93	P-U-10	2-1/4 X 4-1/2	75.62
IH545829R93	P-U-10	2 X 3-1/2	67.96
IH545831R93	P-U-10	2-1/4 X 4	67.29
IH546214R93	P-U-10	2 X 3-1/2	49.60
IH609615C1	I-N-U	2-1/2 X 2-1/2	31.87
IH622825C91	Track Adjuster for a TD8		25.45
IH626199C1	P-U-10	1-1/2 X 3	38.06

Kit Number	Code (Pg. xviii)	Rod X Bore Size	List Price
IH626230C3	P-U-10	1-3/4 X 3-1/2	\$43.32
IH626230C6	P-UB-10	1-3/4 X 3-1/2	106.78
IH626232C2	P-U-10	2-1/4 X 3-1/2	48.56
IH626233C2	P-U-10	2-1/2 X 4	51.34
IH626234C3	P-U-10	1-3/4 X 4	44.67
IH63577C91	P-U-10	2-1/4 X 4	76.33
IH63581C91	P-U-10	2-1/4 X 3-1/2	74.65
IH636139C91	I-U-10	2-3/4 X 5	216.77
IH636144C91	P-U-10	2-1/2 X 5-1/2	99.06
IH636145C91	P-U-10	2-1/2 X 5-1/2	116.54
IH636146C91	P-U-10	3 X 5-1/2	169.28
IH636147C91	P-U-10	3 X 5-1/2	108.95
IH636149C91	P-U-10	2-1/2 X 6-1/2	216.72
IH636229C91	P-U-10	2-3/4 X 6-1/2	215.88
IH636230C91	P-U-10	3 X 7	151.96
IH63698C91	P-U-10	2 X 3	47.48
IH679325C91	P-U-10	2-1/4 X 4-1/2	79.24
IH679328C91	P-U-10	2-3/4 X 5	176.70
IH679330C91	P-U-10	2-3/4 X 6-1/2	141.06
IH679331C91	P-U-10	2-3/4 X 6-1/2	114.30
IH679332C91	P-U-10	3 X 7	261.16
IH-906000	TRACK ADJUSTER		27.03
IH-906001	TRACK ADJUSTER		27.17
IH-906004	TRACK ADJUSTER		53.58
IH-933212C2	U-SEAL	3-1/4	27.05
IH927444C91	O-Rings		9.18
IH933310C91	P-U-10	4-1/2 X 9	309.85
IH933419C91	P-U-10	2 X 4	77.13
IH935799C91	P-U-10	1-1/2 X 4	70.62
IH943746C91	P-OB-10	1 X 3	31.74

REPLACEMENT PARTS FOR INTERNATIONAL HARVESTER

NOTE: International Harvester part numbers are used as a reference only. We do not imply that these kits are original REPLACEMENT PARTS.

BACK-UP RINGS

Part Number	Min. Pkgs.	List Price
IH-65985	10	\$1.48
IH-899129C2	1	39.07
IH-899130C2	2	11.98

BUFFER RINGS

Part Number	Rod Diameter	List Price
IH-1170748C1	3-1/4	\$45.58

PISTON SEALS

Part Number	Bore Diameter	List Price
IH-657862C1	6	\$58.71

U-SEALS

Part Number	Rod Diameter	List Price
IH-58614	2	\$12.54

WEAR RINGS

Part Number	O.D. X Width	List Price
IH-1170757C1	3-5/8 X 1-1/4	\$33.42
IH-140005	3-1/2 X 5/8	5.86
IH-933221C1	6 X 1-1/4	35.21

WIPERS

Part Number	Rod Diameter	List Price
IH-933207C1	3-1/4	\$22.95

REPLACEMENT PARTS FOR INTERNATIONAL HARVESTER

NOTE: International Harvester part numbers are used as a reference only. We do not imply that these kits are original REPLACEMENT PARTS.

O-RINGS

Part Number	Min. Pkgs.	List Price
IH-21003R1	20	\$0.67
IH-21056R1	20	0.52
IH-21295R1	5	3.06
IH-21480R1	20	0.40
IH-21597R1	20	0.78
IH-21923R1	10	1.72
IH-21924R1	20	0.44
IH-22204R1	5	3.06
IH-22272R1	20	0.31
IH-22277R1	20	0.30
IH-22278R1	20	0.37
IH-22287R1	10	1.53
IH-22288R1	20	0.44
IH-22289R1	10	1.72
IH-22290R1	10	1.42
IH-22291R1	10	1.72
IH-22292R1	5	2.19
IH-22408R1	20	0.63
IH-22409R1	20	0.70
IH-22410R1	20	0.74
IH-22411R1	10	1.14
IH-22412R1	10	1.58
IH-22414R1	10	1.67
IH-22458R1	20	0.28
IH-24595R1	20	0.48
IH-252483R1	50	0.28
IH-252707R1	50	0.13
IH-252738R1	50	0.09
IH-252739R1	50	0.09
IH-253070R1	50	0.16
IH-254091R1	20	0.70
IH-254688R1	10	1.58
IH-254691R1	50	0.16
IH-254693R1	10	1.93
IH-254954R1	50	0.24
IH-257642R1	10	1.18
IH-259246R1	20	0.97
IH-259771R1	20	0.55
IH-26969R1	5	3.08
IH-275611R1	20	0.31
IH-285723R1	20	0.83
IH-285724R1	20	0.88
IH-290987R1	20	0.72
IH-293726R1	20	0.55
IH-293739R1	20	0.30

O-RINGS

Part Number	Min. Pkgs.	List Price
IH-296867R1	5	\$2.19
IH-3040154R1	5	2.85
IH-3042933R1	5	3.30
IH-3042934R1	5	2.46
IH-3044436R1	20	0.97
IH-3044565R1	5	2.19
IH-3045524R1	20	0.39
IH-3046999R1	10	1.50
IH-3047879R1	10	1.58
IH-310959R1	50	0.28
IH-317923R1	20	0.92
IH-327085R1	20	0.31
IH-343903R1	20	0.35
IH-343912R1	5	2.46
IH-347070R1	50	0.24
IH-349900R1	50	0.16
IH-350057R1	20	0.74
IH-350429R1	50	0.13
IH-350667R1	50	0.13
IH-350684R1	50	0.14
IH-3508181R1	50	0.22
IH-352216R1	10	1.18
IH-352219R1	50	0.07
IH-352313R1	20	0.88
IH-352551R1	50	0.09
IH-354836R1	20	0.88
IH-355740R1	20	0.96
IH-355965R1	50	0.16
IH-355966R1	50	0.09
IH-355967R1	50	0.07
IH-356005R1	50	0.24
IH-359158R1	50	0.07
IH-360599R1	50	0.03
IH-360610R1	20	0.39
IH-361300R1	50	0.03
IH-362796R1	50	0.14
IH-363226R1	50	0.03
IH-364108R1	20	0.39
IH-364840R1	50	0.13
IH-364879R1	50	0.14
IH-368109R1	50	0.24
IH-369908R1	50	0.13
IH-370920R1	50	0.07
IH-370941R1	50	0.22
IH-370943R1	50	0.16

O-RINGS

Part Number	Min. Pkgs.	List Price
IH-370944R1	20	\$0.24
IH-371544R1	50	0.09
IH-372784R1	50	0.16
IH-372821R1	50	0.16
IH-375269R1	20	0.31
IH-375271R1	50	0.07
IH-376769R1	50	0.14
IH-377028R1	50	0.14
IH-378031R1	50	0.16
IH-379141R1	20	0.28
IH-379181R1	50	0.09
IH-379794R1	50	0.24
IH-381565R1	20	0.44
IH-382137R1	50	0.14
IH-382138R1	20	0.35
IH-382418R1	50	0.24
IH-382432R1	20	0.52
IH-382781R1	20	0.37
IH-383260R1	20	0.96
IH-3844498R1	20	0.39
IH-384578R1	50	0.14
IH-393120R1	10	1.30
IH-393349R1	50	0.14
IH-468335R1	10	1.42
IH-468339R1	10	1.05
IH-471140R1	10	1.18
IH-604844C1	20	0.39
IH-606921C1	5	2.80
IH-610411C1	20	0.92
IH-610412C1	10	1.53
IH-610414C1	20	0.67
IH-610415C1	5	2.35
IH-610416C1	5	2.88
IH-652226R1	10	1.14
IH-702283R1	20	0.63
IH-702981R1	10	1.30
IH-707220R1	20	0.78
IH-707253R1	20	0.35
IH-708560R1	50	0.28
IH-876092C1	1	11.21
IH-876101C1	1	29.44
IH-877690C1	1	8.90
IH-878385C1	1	13.87

INTERNATIONAL HARVESTER

REPLACEMENT SEAL KITS FOR JCB EQUIPMENT*

Replacement Seal Kits By Machine Type

Table of Contents

Machine Type	Page
Backhoe Loaders	634 - 647
1CX, 2CX, 3C MIII, 3CX, 3CX COMPACT 10', 3CX COMPACT 12', 3CX SITEMASTER, 3CX TURBO, 3CX-2WD, 3CX-4WD, 3CX-4WD TURBO, 3D, 3D MKII, 3D MKIII, 4CN, 4C TURBO, 208S, 208S HF, 210S, 210SU, 214, 214E, 214SM-4, 215-4 CENTERMOUNT SERIES 3, 215S, 1400, 1400B, 1550, 1550B, 1700B, Midi CX, SITEMASTER	
Excavators - Compact	647 - 651
801, 803, 803 Magnum, 803 Plus, 803 Super, 804, 804 Plus, 804 Super, 8014, 8015, 8017, 8025ZTS, 8027Z, 8030ZTS, 8032Z, 8035ZTS, 8052, 8060, 8065RTS, 8080	
Excavators - Tracked	651 - 657
JS130, JS160LC, JS200, JS200LC, JS210, JS220, JS240, JS260, JS260 AUTO, JS260 XD AUTO, JS330, JS330 Auto, JS330XD, JS330XD Auto, JZ140	
Loaders - Wheel	657 - 659
416, 416B, 416B LE, 416S	
Telehandlers	659 - 668
505-19 F.M, 505-22, 505-22 SWAY, 506-36, 506B, 506C, 506C-HL, 507-42, 508C, 509-42, 510-56, 512-56, 520-50, 520-50LE, 525B-4HL, 527-55, 527-55S, 530B-4HL	
Wheel Dozers/Loaders	668 - 670
426, 426B, 436, 436B, 456, 456B	
Alpha-Numeric Kit Listing	671 - 673
JCB Individual Parts	673

*All manufacturer's names, part numbers and descriptions are used for reference purposes only. We do not imply that any part shown is the product of these manufacturers. We also do not imply that the list price shown is exactly that of the manufacturer.

Replacement Kits For

JCB

Backhoe Loaders							
APPLICATION	CYL #	SERIAL #	CODE	ROD	BORE	KIT #	List \$
MODEL 1CX							
BACKHOE BOOM		00807553-00808999; 01050000-01051999; 01298000-01299998; 00727000-00727999; 00751000-00751599	I-U-10	40 mm	70 mm	JCB-991-10152	101.41
BACKHOE BUCKET		00807553-00808999; 01050000-01051999; 01298000-01299998; 00727000-00727999; 00751000-00751599	I-U-10	40 mm	70 mm	JCB-991-10152	101.41
BACKHOE DIPPER		00807553-00808999; 01050000-01051999; 01298000-01299998; 00727000-00727999; 00751000-00751599	I-U-10	40 mm	70 mm	JCB-991-10152	101.41
CLAM SHOVEL		00807553-00808999; 01050000-01051999; 01298000-01299998; 00727000-00727999; 00751000-00751599; 00751600-00752999	I-U-10	25 mm	50 mm	JCB-991-00097	60.88
FRONT SHOVEL		00807553-00808999; 01050000-01051999; 01298000-01299998; 00727000-00727999; 00751000-00751599	I-U-10	30 mm	60 mm	JCB-991-00098	67.17
GRAB		00807553-00808999; 01050000-01051999; 01298000-01299998; 00727000-00727999; 00751000-00751599	I-U-10	25 mm	50 mm	JCB-991-00097	60.88
HIGH TIP		00807553-00808999; 01050000-01051999; 01298000-01299998; 00751600-00752999; 00806000-00807552	I-U-15	1-3/8"	2"	JCB-903-10301	54.50
LIFT		00807553-00808999; 01050000-01051999; 01298000-01299998; 00727000-00727999; 00751000-00751599	I-U-10	30 mm	60 mm	JCB-991-00098	67.17
SIDE TIP SHOVEL		00807553-00808999; 01050000-01051999; 01298000-01299998; 00751000-00751599; 00751600-00752999	I-U-15	1-1/2"	2-1/2"	JCB-997-00908	170.49
STABILIZER		00807553-00808999; 01050000-01051999; 01298000-01299998	I-U-10	30 mm	50 mm	JCB-991-10141	40.76
		00807553-00808999; 01050000-01051999; 01298000-01299998; 00727000-00727999; 00751000-00751599	I-U-10	30 mm	60 mm	JCB-991-00098	67.17
MODEL 2CX							
BACKHOE BOOM		00655030-00656999	I-U-10	40 mm	70 mm	JCB-991-00095	71.08
		00657000-00659598; 00489696-00499999; 00920001-00929999; 0069599-00659999; 00760001-00764999	I-U-10	50 mm	80 mm	JCB-991-00102	90.57
		00930001-00959999; 00960000-00989999; 01327000-01349999	I-U-10	50 mm	90 mm	JCB-991-00103	70.36
BACKHOE BUCKET		00655030-00656999	I-U-10	40 mm	70 mm	JCB-991-00095	71.08

JCB

Backhoe Loaders							
APPLICATION	CYL #	SERIAL #	CODE	ROD	BORE	KIT #	List \$
MODEL 2CX							
BACKHOE BUCKET		00657000-00659598; 00489696-00499999; 00920001-00929999; 0069599-00659999; 00760001-00764999; 00960000-00989999; 01327000-01349999; 00930001-00959999	I-U-10	40 mm	70 mm	JCB-991-10152	101.41
BACKHOE DIPPER		00655030-00656999	I-U-10	40 mm	70 mm	JCB-991-00095	71.08
		00657000-00659598; 00489696-00499999; 00920001-00929999; 0069599-00659999; 00760001-00764999	I-U-10	50 mm	80 mm	JCB-991-00102	90.57
		00930001-00959999; 00960000-00989999; 01327000-01349999	I-U-10	50 mm	90 mm	JCB-991-00103	70.36
CLAM SHOVEL		00655030-00656999	I-U-10	30 mm	60 mm	JCB-991-00052	67.17
		00657000-00659598; 00489696-00499999; 00920001-00929999; 0069599-00659999; 00760001-00764999; 00930001-00959999; 00960000-00989999; 01327000-01349999; 00480600-00489695	I-U-10	30 mm	60 mm	JCB-991-00098	67.17
EXTENSION, EXTRADIG DIPPER		00657000-00659598; 00489696-00499999; 00920001-00929999; 0069599-00659999; 00760001-00764999; 00930001-00959999; 00960000-00989999; 01327000-01349999	I-U-10	30 mm	60 mm	JCB-991-00098	67.17
HYDRACLAMP		00655030-00656999	I-U-10	25 mm	50 mm	JCB-991-00054	74.48
		00655030-00656999	I-U-10	25 mm	50 mm	JCB-991-00097	60.88
LOADER LIFT		00655030-00656999	I-U-10	40 mm	70 mm	JCB-991-00095	71.08
		00657000-00659598; 00489696-00499999; 00920001-00929999; 0069599-00659999; 00760001-00764999; 00930001-00959999; 00960000-00989999; 01327000-01349999; 00480600-00489695	I-U-10	40 mm	70 mm	JCB-991-10152	101.41
QUICK HITCH		00655030-00656999; 00930001-00959999; 00960000-00989999; 01327000-01349999	I-U-15	1/2"	25 mm	JCB-548-12801	10.22
SHOVEL		00655030-00656999	I-U-10	40 mm	70 mm	JCB-991-00095	71.08
		00657000-00659598; 00489696-00499999; 00920001-00929999; 0069599-00659999; 00760001-00764999; 00930001-00959999; 00960000-00989999; 01327000-01349999; 00480600-00489695	I-U-10	40 mm	70 mm	JCB-991-10152	101.41
SLEW/SWING		00655030-00656999	I-U-10	40 mm	70 mm	JCB-991-00095	71.08

Backhoe Loaders							
APPLICATION	CYL #	SERIAL #	CODE	ROD	BORE	KIT #	List \$
MODEL 2CX							
SLEW/SWING		00657000-00659598; 00489696-00499999; 00920001-00929999; 0069599-00659999; 00760001-00764999; 00930001-00959999	I-U-10	40 mm	70 mm	JCB-991-10152	101.41
		00960000-00989999; 01327000-01349999	I-U-10	40 mm	70 mm	JCB-991-10151	34.88
STABILIZER		00655030-00656999	I-U-10	40 mm	70 mm	JCB-991-00095	71.08
		00657000-00659598; 00489696-00499999; 00920001-00929999; 0069599-00659999; 00760001-00764999; 00930001-00959999	I-U-10	40 mm	70 mm	JCB-991-10152	101.41
		00930001-00959999; 00960000-00989999; 01327000-01349999	I-U-10	40 mm	60 mm	JCB-991-10081	49.49
STEERING		00655030-00656999	I-U-10	30 mm	60 mm	JCB-991-00052	67.17
		00657000-00659598; 00489696-00499999; 00920001-00929999; 0069599-00659999; 00760001-00764999; 00930001-00959999; 00960000-00989999; 01327000-01349999; 00480600-00489695	I-U-10	30 mm	60 mm	JCB-991-00098	67.17
TOW HITCH		00659599-00659598; 00760001-00764999	I-U-10	25 mm	50 mm	JCB-991-00097	60.88
MODEL 3C MIII							
BACKHOE BUCKET		M125001-M290000	I-SP-13	2"	4"	JCB-991-00003	77.33
BACKHOE DIPPER		M125001-M290000	I-SP-13	2"	4"	JCB-991-00003	77.33
BACKHOE GRAB		M125001-M290000	I-U-15	2-1/2"	4-1/2"	JCB-991-00008	148.72
DIPPER EXTENSION		M125001-M290000	I-U-15	2"	3-5/8"	JCB-991-00002	114.96
JAW BUCKET		M125001-M290000	I-SP-13	2"	4"	JCB-991-00003	77.33
LOADER BOOM		M125001-M290000	I-U-15	2"	4-1/2"	JCB-991-00004	110.18
LOADER LIFT		M125001-M290000	I-SP-13	2"	4"	JCB-991-00003	77.33
LOADER STABILIZER		M125001-M290000	I-U-15	2"	3-5/8"	JCB-991-00002	114.96
LOADER TILT		M125001-M290000	I-U-15	2"	3-5/8"	JCB-991-00002	114.96
POLE PLANTER RAM		M125001-M290000	I-SP-15	1-1/2"	2-3/4"	JCB-991-00001	83.89
STEERING		M125001-M290000	I-U-15	1"	2"	JCB-991-00009	53.48
MODEL 3CX							
BACKHOE BUCKET		-->M319999	I-U-15	50 mm	90 mm	JCB-991-00013	63.48
		M320000-UP	I-U-15	50 mm	90 mm	JCB-991-00096	143.27
BACKOE BOOM & STICK		-->M319999	I-U-15	60 mm	100 mm	JCB-991-00012	69.85
		M320000-UP	I-U-15	60 mm	100 mm	JCB-991-00055	155.29
BOOM HEAVY LIFT		0930000-0959999 2001-2005	I-U-10	65 mm	120 mm	JCB-991-20038	104.71
BOOM HEAVY LIFT 14'		0960000-1709999 2004-2010	I-U-10	65 mm	120 mm	JCB-991-20038	104.71
BOOM STD LIFT		0930000-0959999 2001-2005	I-U-10	60 mm	110 mm	JCB-991-20030	73.50
		0960000-1709999 2004-2010	I-U-10	60 mm	110 mm	JCB-991-20030	73.50
BUCKET		0960000-1709999 2004-2010	P-UB-10	60 mm	90 mm	JCB-332-E8224	74.80
BUCKET EXTRADIG DIPPER		0930000-0959999 2001-2005	I-U-10	60 mm	90 mm	JCB-991-00147P	120.42
BUCKET MONO DIPPER		0930000-0959999 2001-2005	I-U-10	60 mm	90 mm	JCB-991-00147P	120.42

Backhoe Loaders							
APPLICATION	CYL #	SERIAL #	CODE	ROD	BORE	KIT #	List \$
MODEL 3CX							
BUCKET MONO DIPPER 14'		0960000-1709999 2004-2010	P-UB-10	60 mm	90 mm	JCB-332-E8224	74.80
CLAMSHOVEL 6 IN 1		0930000-0959999 2001-2005	P-U-10	40 mm	70 mm	JCB-991-20021	62.18
		0960000-1709999 2004-2010	P-U-10	40 mm	70 mm	JCB-991-20021	62.18
DIPPER 14' STANDARD LIFT		0960000-1709999 2004-2010	I-UB-10	60 mm	100 mm	JCB-991-20023	75.75
DIPPER HEAVY LIFT		0930000-0959999 2001-2005	I-U-10	60 mm	110 mm	JCB-991-00148P	132.21
DIPPER HEAVY LIFT - USA		0960000-1709999 2004-2010	I-U-10	60 mm	110 mm	JCB-991-00148P	132.21
DIPPER STD LIFT		0930000-0959999 2001-2005	I-UB-10	60 mm	100 mm	JCB-991-20023	75.75
EXTENSION EXTRADIG DIPPER		0930000-0959999 2001-2005	P-U-10	40 mm	70 mm	JCB-991-20021	62.18
		0960000-1709999 2004-2010	P-U-10	40 mm	70 mm	JCB-991-20021	62.18
JAW BUCKET		0960000-1709999 2004-2010	I-SP-13	2"	4"	JCB-991-00003	77.33
LIFT OPTIONAL		0930000-0959999 2001-2005	I-UB-10	50 mm	90 mm	JCB-991-20009	97.48
LIFT STD		0930000-0959999 2001-2005	I-UB-10	50 mm	80 mm	JCB-991-20022	46.94
		0960000-1709999 2004-2010	I-UB-10	50 mm	80 mm	JCB-991-20022	46.94
LOADER LIFT		-->M319999	I-U-15	50 mm	80 mm	JCB-991-00016	74.63
		M320000-UP	I-U-15	50 mm	80 mm	JCB-991-00061	144.40
LOADER TILT		-->M319999	I-U-15	40 mm	70 mm	JCB-991-00015	41.52
		M320000-UP	I-U-15	40 mm	70 mm	JCB-991-00122	67.98
QUICKHITCH		0930000-0959999 2001-2005	I-U-15	1/2"	25 mm	JCB-548-12801	10.22
		0960000-1709999 2004-2010	I-U-15	1/2"	25 mm	JCB-548-12801	10.22
QUICKHITCH ATTACHMENT		0930000-0959999 2001-2005	I-U-10	25 mm	50 mm	JCB-991-20019	41.88
		0960000-1709999 2004-2010	I-U-10	25 mm	50 mm	JCB-991-20019	41.88
QUICKHITCH SHOVEL		0960000-1709999 2004-2010	I-U-15	1/2"	25 mm	JCB-548-12801	10.22
SHOVEL		0930000-0959999 2001-2005	P-U-10	40 mm	70 mm	JCB-991-20021	62.18
		0960000-1709999 2004-2010	P-U-10	40 mm	70 mm	JCB-991-20021	62.18
SLEW/SWING CENTREMOUNT		0960000-1709999 2004-2010	I-U-10	60 mm	100 mm	JCB-991-20039	80.22
SLEW/SWING SIDESHIFT		0960000-1709999 2004-2010	I-U-10	60 mm	100 mm	JCB-991-20039	80.22
STABILIZER - Heavy Duty		-->M319999	I-U-15	60 mm	100 mm	JCB-991-00012	69.85
		M320000-UP	I-U-15	60 mm	100 mm	JCB-991-00055	155.29
STABILIZER - Standard		-->M319999	I-U-15	40 mm	70 mm	JCB-991-00015	41.52
		M320000-UP	I-U-15	40 mm	70 mm	JCB-991-00122	67.98
STABILIZER CENTREMOUNT		0960000-1709999 2004-2010	I-UB-10	60 mm	100 mm	JCB-991-20023	75.75
STABILIZER SIDESHIFT		0930000-0959999 2001-2005	P-U-10	40 mm	70 mm	JCB-991-20021	62.18
		0960000-1709999 2004-2010	P-U-10	40 mm	70 mm	JCB-991-20021	62.18
STEERING 2WD		0960000-1709999 2004-2010	I-U-10	45 mm	75 mm	JCB-991-00156	114.25

JCB

Replacement Kits For

Backhoe Loaders							
APPLICATION	CYL #	SERIAL #	CODE	ROD	BORE	KIT #	List \$
MODEL 3CX							
STEERING 4WD		0960000-1709999 2004-2010	I-U-10	45 mm	75 mm	JCB-991-00156	114.25
STEERING-2WD		M290000-M300725	I-U-15	30 mm	60 mm	JCB-991-00017	72.76
		M300726-M337000	I-U-14	30 mm	60 mm	JCB-991-00021	58.12
		M337001-M356443	I-U-15	30 mm	70 mm	JCB-991-00036	62.12
STEERING-4WD		M290000-M297207	I-U-15	30 mm	60 mm	JCB-991-00017	72.76
		M297208-M319999	I-U-14	30 mm	60 mm	JCB-991-00020	35.84
		M320000-M337000	I-U-14	30 mm	60 mm	JCB-991-00021	58.12
STICK EXTENSION		-->M319999	I-U-15	40 mm	70 mm	JCB-991-00015	41.52
		M320000-UP	I-U-15	40 mm	70 mm	JCB-991-00122	67.98
SWING		-->M319999	I-U-15	60 mm	100 mm	JCB-991-00012	69.85
		M320000-UP	I-U-15	60 mm	100 mm	JCB-991-00055	155.29
	557-60018	M921696	I-U-10	50 mm	90 mm	JCB-991-00163	75.19
SWING w/ Side Shift		-->M319999	N-N-15		110 mm	JCB-991-00018	38.21
MODEL 3CX COMPACT 10'							
BOOM		2454201-2496000	I-UB-10	50 mm	90 mm	JCB-991-20009	97.48
BUCKET CROWD		2454201-2496000	P-U-10	40 mm	70 mm	JCB-991-20021	62.18
CLAMSHOVEL 6 IN 1		2454201-2496000	I-U-10	30 mm	60 mm	JCB-991-20024	50.29
CROWD/TILT SHOVEL		2454201-2496000	P-U-10	40 mm	70 mm	JCB-991-20021	62.18
CROWD/TILT SHOVEL WITH RESET		2454201-2496000	P-U-10	40 mm	70 mm	JCB-991-20021	62.18
DIPPER 10'		2454201-2496000	I-UB-10	50 mm	90 mm	JCB-991-20009	97.48
EXTENDING DIPPER		2454201-2496000	I-U-10	30 mm	60 mm	JCB-991-20024	50.29
LOADER LIFT		2454201-2496000	I-U-10	50 mm	70 mm	JCB-991-00105P	107.49
SLEW/SWING		2454201-2496000	P-U-10	40 mm	70 mm	JCB-991-20021	62.18
STEERING		2454201-2496000	I-U-10	30 mm	60 mm	JCB-991-20024	50.29
MODEL 3CX COMPACT 12'							
BOOM		2454201-2496000	I-UB-10	50 mm	90 mm	JCB-991-20009	97.48
BUCKET CROWD		2454201-2496000	P-U-10	40 mm	70 mm	JCB-991-20021	62.18
CLAMSHOVEL 6 IN 1		2454201-2496000	I-U-10	30 mm	60 mm	JCB-991-20024	50.29
CROWD/TILT SHOVEL		2454201-2496000	P-U-10	40 mm	70 mm	JCB-991-20021	62.18
CROWD/TILT SHOVEL WITH RESET		2454201-2496000	P-U-10	40 mm	70 mm	JCB-991-20021	62.18
DIPPER 12'		2454201-2496000	I-UB-10	50 mm	90 mm	JCB-991-20009	97.48
EXTENDING DIPPER		2454201-2496000	I-U-10	30 mm	60 mm	JCB-991-20024	50.29
LOADER LIFT		2454201-2496000	I-U-10	50 mm	70 mm	JCB-991-00105P	107.49
SLEW/SWING		2454201-2496000	P-U-10	40 mm	70 mm	JCB-991-20021	62.18
STEERING		2454201-2496000	I-U-10	30 mm	60 mm	JCB-991-20024	50.29
MODEL 3CX SITEMASTER							
BACHOE BOOM		M320000-UP	I-U-15	60 mm	110 mm	JCB-991-00058	97.34
BACKHOE BUCKET		M320000-UP	I-U-15	50 mm	90 mm	JCB-991-00096	143.27
LOADER LIFT		M320000-UP	I-U-15	50 mm	80 mm	JCB-991-00061	144.40
LOADER TILT		M320000-UP	I-U-15	40 mm	70 mm	JCB-991-00122	67.98
STABILIZER - Heavy Duty		M320000-UP	I-U-15	60 mm	100 mm	JCB-991-00055	155.29
STABILIZER - Standard		M320000-UP	I-U-15	40 mm	70 mm	JCB-991-00122	67.98
STEERING-2WD		M300726-M337000	I-U-14	30 mm	60 mm	JCB-991-00021	58.12
		M337001-M356443	I-U-15	30 mm	70 mm	JCB-991-00036	62.12
		M290000-M297206	I-U-15	30 mm	60 mm	JCB-991-00017	72.76
STEERING-4WD		M297207-M319999	I-U-14	30 mm	60 mm	JCB-991-00020	35.84
		M320000-M337000	I-U-14	30 mm	60 mm	JCB-991-00021	58.12
		M320000-UP	I-U-15	60 mm	100 mm	JCB-991-00055	155.29
STICK		M320000-UP	I-U-15	60 mm	100 mm	JCB-991-00055	155.29
STICK EXTENSION		M320000-UP	I-U-15	40 mm	70 mm	JCB-991-00122	67.98
SWING		M320000-UP	I-U-15	60 mm	100 mm	JCB-991-00055	155.29
MODEL 3CX TURBO							
BOOM			I-U-10	65 mm	120 mm	JCB-991-00115	59.21
			I-U-10	60 mm	110 mm	JCB-991-00110	118.11

JCB

Backhoe Loaders							
APPLICATION	CYL #	SERIAL #	CODE	ROD	BORE	KIT #	List \$
MODEL 3CX TURBO							
BUCKET			P-UB-10	60 mm	90 mm	JCB-332-E8224	74.80
CLAMSHOVEL			I-U-10	40 mm	70 mm	JCB-991-10151	34.88
DIPPER LIFT			I-U-10	60 mm	100 mm	JCB-991-00145	93.27
			I-U-10	60 mm	110 mm	JCB-991-00148	132.21
EXTENSION			P-U-10	40 mm	70 mm	JCB-332-D4850	62.18
JAW BUCKET			I-SP-13	2"	4"	JCB-991-00003	77.33
LOADER LIFT			I-U-10	50 mm	90 mm	JCB-991-00103	70.36
			I-U-10	50 mm	80 mm	JCB-991-00102	90.57
QUICK HITCH ATTACHMENT			I-U-10	25 mm	50 mm	JCB-991-00097	60.88
QUICK HITCH SHOVEL			I-U-15	1/2"	25 mm	JCB-548-12801	10.22
SHOVEL LOADER BUCKET			I-U-10	40 mm	70 mm	JCB-991-10151	34.88
STABILIZER			I-U-10	45 mm	75 mm	JCB-991-00156	114.25
STEERING			I-U-10	45 mm	75 mm	JCB-991-00156	114.25
SWING SIDESHIFT			I-U-10	25 mm	50 mm	JCB-991-00171	80.93
				60 mm	100 mm	JCB-991-10142	77.57
MODEL 3CX-2WD							
BOOM HEAVY LIFT	563-70029	0930000-0959999 2002-2005	I-U-10	65 mm	120 mm	JCB-991-20038	104.71
BOOM STANDARD LIFT	561-70063	0930000-0959999 2002-2005	I-U-10	60 mm	110 mm	JCB-991-20030	73.50
BUCKET EXTRADIG DIPPER	557-70030	0930000-0959999 2002-2005	I-U-10	60 mm	90 mm	JCB-991-00147P	120.42
BUCKET MONO DIPPER	557-70031	0930000-0959999 2002-2005	I-U-10	60 mm	90 mm	JCB-991-00147P	120.42
CLAMSHOVEL 6 IN 1	556-70345	0930000-0959999 2002-2005	P-U-10	40 mm	70 mm	JCB-991-20021	62.18
DIPPER EXTENSION EXTRADIG	556-70339	0930000-0959999 2002-2005	P-U-10	40 mm	70 mm	JCB-991-20021	62.18
DIPPER HEAVY LIFT	561-70082	0930000-0959999 2002-2005	I-U-10	60 mm	110 mm	JCB-991-00148P	132.21
	561-70155	0930000-0959999 2002-2005	I-U-10	60 mm	110 mm	JCB-991-00148P	132.21
DIPPER STANDARD LIFT	559-70171	0930000-0959999 2002-2005	I-U-10	60 mm	100 mm	JCB-991-00145	93.27
	559-70229	0930000-0959999 2002-2005	I-UB-10	60 mm	100 mm	JCB-991-20023	75.75
LIFT OPTIONAL	557-70190	0930000-0959999 2002-2005	I-UB-10	50 mm	90 mm	JCB-991-20009	97.48
LIFT STANDARD	576-70127	0930000-0959999 2002-2005	I-UB-10	50 mm	80 mm	JCB-991-20022	46.94
	576-70222	0930000-0959999 2002-2005	I-UB-10	50 mm	80 mm	JCB-991-20022	46.94
QUICKHITCH	331-39954	0930000-0959999 2002-2005	I-U-15	1/2"	25 mm	JCB-548-12801	10.22
	531-96701	0930000-0959999 2002-2005	I-U-15	1/2"	25 mm	JCB-548-12801	10.22
SHOVEL	556-70335	0930000-0959999 2002-2005	I-U-10	40 mm	70 mm	JCB-991-10151	34.88
SLEW/SWING CENTREMOUNT	559-70041	0930000-0959999 2002-2005	I-U-10	60 mm	100 mm	JCB-991-00152P	89.44
SLEW/SWING SIDESHIFT	559-70191 40mm	0930000-0959999 2002-2005	I-U-10	60 mm	100 mm	JCB-991-20039	80.22
	559-70215 27mm	0930000-0959999 2002-2005	I-U-10	60 mm	100 mm	JCB-991-20039	80.22
STABILIZER CENTREMOUNT	559-70202	0930000-0959999 2002-2005	I-UB-10	60 mm	100 mm	JCB-991-20023	75.75
STEERING 2WD	573-20000	0930000-0959999 2002-2005	I-U-10	45 mm	75 mm	JCB-991-00156	114.25

Replacement Kits For

JCB

Backhoe Loaders							
APPLICATION	CYL #	SERIAL #	CODE	ROD	BORE	KIT #	List \$
MODEL 3CX-4WD							
BOOM HEAVY LIFT	563-70029	0930000-0959999 2002-2005	I-U-10	65 mm	120 mm	JCB-991-20038	104.71
BOOM STANDARD LIFT	561-70063	0930000-0959999 2002-2005	I-U-10	60 mm	110 mm	JCB-991-20030	73.50
BUCKET EXTRADIG DIPPER	557-60210	0930000-0959999 2002-2005	I-U-10	60 mm	90 mm	JCB-991-00147P	120.42
	557-70030	0930000-0959999 2002-2005	I-U-10	60 mm	90 mm	JCB-991-00147	120.42
BUCKET MONO DIPPER	557-60212	0930000-0959999 2002-2005	I-U-10	60 mm	90 mm	JCB-991-00147P	120.42
	557-70031	0930000-0959999 2002-2005	I-U-10	60 mm	90 mm	JCB-991-00147	120.42
CLAMSHOVEL 6 IN 1	556-60401	0930000-0959999 2002-2005	P-U-10	40 mm	70 mm	JCB-991-20021	62.18
	556-70345	0930000-0959999 2002-2005	I-U-10	40 mm	70 mm	JCB-991-10151	34.88
DIPPER EXTENSION EXTRADIG	556-70339	0930000-0959999 2002-2005	P-U-10	40 mm	70 mm	JCB-991-20021	62.18
DIPPER HEAVY LIFT	561-70082	0930000-0959999 2005-2005	I-U-10	60 mm	110 mm	JCB-991-00148P	132.21
	561-70155	0930000-0959999 2005-2005	I-U-10	60 mm	110 mm	JCB-991-00148P	132.21
DIPPER STANDARD LIFT	559-70229	0930000-0959999 2005-2005	I-UB-10	60 mm	100 mm	JCB-991-20023	75.75
LIFT OPTIONAL	557-70190	0930000-0959999 2002-2005	I-UB-10	50 mm	90 mm	JCB-991-20009	97.48
LIFT STANDARD	576-70127	0930000-0959999 2002-2005	I-UB-10	50 mm	80 mm	JCB-991-20022	46.94
	576-70222	0930000-0959999 2002-2005	I-UB-10	50 mm	80 mm	JCB-991-20022	46.94
QUICKHITCH	331-39954	0930000-0959999 2002-2005	I-U-15	1/2"	25 mm	JCB-548-12801	10.22
	531-96701	0930000-0959999 2002-2005	I-U-15	1/2"	25 mm	JCB-548-12801	10.22
SHOVEL	556-70359	0930000-0959999 2002-2005	P-U-10	40 mm	70 mm	JCB-991-20021	62.18
	556-70361	0930000-0959999 2002-2005	P-U-10	40 mm	70 mm	JCB-991-20021	62.18
SLEW/SWING CENTREMOUNT	559-70041	0930000-0959999 2002-2005	I-U-10	60 mm	100 mm	JCB-991-00152P	89.44
SLEW/SWING SIDEHSIFT	559-70191 40mm	0930000-0959999 2002-2005	I-U-10	60 mm	100 mm	JCB-991-20039	80.22
	559-70215 27mm	0930000-0959999 2002-2005	I-U-10	60 mm	100 mm	JCB-991-20039	80.22
STABILIZER CENTREMOUNT	559-70202	0930000-0959999 2002-2005	I-UB-10	60 mm	100 mm	JCB-991-20023	75.75
STEERING 4WD	573-20001	0930000-0959999 2002-2005	I-U-10	45 mm	75 mm	JCB-991-00156	114.25
MODEL 3CX-4WD TURBO							
BOOM STANDARD LIFT	561-70063	0480988-0499999; 0920001-0929999	I-U-10	60 mm	110 mm	JCB-991-20030	73.50
BUCKET EXTRADIG DIPPER	557-60210	0480988-0499999; 0920001-0929999	I-U-10	60 mm	90 mm	JCB-991-00147P	120.42
	557-70030	0480988-0499999; 0920001-0929999	I-U-10	60 mm	90 mm	JCB-991-00147	120.42
BUCKET MONO DIPPER	557-60212	0480988-0499999; 0920001-0929999	I-U-10	60 mm	90 mm	JCB-991-00147P	120.42
	557-70031	0480988-0499999; 0920001-0929999	I-U-10	60 mm	90 mm	JCB-991-00147	120.42
CLAMSHOVEL 6 IN 1	556-70051	0480988-0499999; 0920001-0929999	P-U-10	40 mm	70 mm	JCB-991-20021	62.18

JCB

Backhoe Loaders							
APPLICATION	CYL #	SERIAL #	CODE	ROD	BORE	KIT #	List \$
MODEL 3CX-4WD TURBO							
DIPPER EXTENSION EXTRADIG	556-70474	0480988-0499999; 0920001-0929999	P-U-10	40 mm	70 mm	JCB-991-20021	62.18
DIPPER STANDARD LIFT	559-70062	0480988-0499999; 0920001-0929999	I-UB-10	60 mm	100 mm	JCB-991-20023	75.75
	559-70077	0480988-0499999; 0920001-0929999	I-UB-10	60 mm	100 mm	JCB-991-20023	75.75
JAW BUCKET	560-34400	0480988-0499999; 0920001-0929999	I-SP-13	2"	4"	JCB-991-00003	77.33
LIFT STANDARD	576-60083	0480988-0499999; 0920001-0929999	I-UB-10	50 mm	80 mm	JCB-991-20022	46.94
	576-70010	0480988-0499999; 0920001-0929999	I-UB-10	50 mm	80 mm	JCB-991-20022	46.94
	576-70080	0480988-0499999; 0920001-0929999	I-U-10	50 mm	80 mm	JCB-991-00102	90.57
QUICKHITCH	531-96701	0480988-0499999; 0920001-0929999	I-U-15	1/2"	25 mm	JCB-548-12801	10.22
SHOVEL	556-70473	0480988-0499999; 0920001-0929999	P-U-10	40 mm	70 mm	JCB-991-20021	62.18
SLEW/SWING CENTREMOUNT	559-70041	0480988-0499999; 0920001-0929999	I-U-10	60 mm	100 mm	JCB-991-00152P	89.44
STABILIZER CENTREMOUNT	559-60248	0480988-0499999; 0920001-0929999	I-UB-10	60 mm	100 mm	JCB-991-20023	75.75
	559-70063	0480988-0499999; 0920001-0929999	I-UB-10	60 mm	100 mm	JCB-991-20023	75.75
	559-70152	0480988-0499999; 0920001-0929999	I-U-10	60 mm	100 mm	JCB-991-00145	93.27
STEERING 4WD	573-20001	0480988-0499999; 0920001-0929999	I-U-10	45 mm	75 mm	JCB-991-00156	114.25
MODEL 3D							
ARM		M320000 UP	I-U-15	60 mm	100 mm	JCB-991-00130	155.29
		to M319999	I-U-15	60 mm	100 mm	JCB-991-00012	69.85
BOOM		M320000 UP	I-U-15	60 mm	110 mm	JCB-991-00131	97.34
		to M319999	I-U-15	60 mm	110 mm	JCB-991-00014	67.13
BUCKET		M320000 UP	I-U-15	50 mm	90 mm	JCB-991-00127	143.27
		to M319999	I-U-15	50 mm	90 mm	JCB-991-00013	63.48
EXTENSION		M320000 UP	I-U-15	40 mm	70 mm	JCB-991-00122	67.98
		to M319999	I-U-15	40 mm	70 mm	JCB-991-00015	41.52
JAW BUCKET		to M319999 - M320000 UP	I-SP-13	2"	4"	JCB-991-00003	77.33
LIFT		M320000 UP	I-U-15	50 mm	80 mm	JCB-991-00123	96.79
		to M319999	I-U-15	50 mm	80 mm	JCB-991-00016	74.63
SLEW CENTER MOUNT		to M319999	I-U-15	60 mm	100 mm	JCB-991-00012	69.85
SLEW SIDE SHIFT		to M319999	N-N-15		110 mm	JCB-991-00018	38.21
STABILIZER		M400000 UP	I-U-10	40 mm	70 mm	JCB-991-00095	71.08
STABILIZER 2WD		M356444 UP	I-U-10	30 mm	70 mm	JCB-991-00099	71.15
STABILIZER HD		M320000 UP	I-U-15	60 mm	100 mm	JCB-991-00130	155.29
		to M319999	I-U-15	60 mm	100 mm	JCB-991-00012	69.85
STABILIZER STD		M320000 UP	I-U-15	40 mm	70 mm	JCB-991-00122	67.98
		to M319999	I-U-15	40 mm	70 mm	JCB-991-00015	41.52
TILT		M320000 UP	I-U-15	40 mm	70 mm	JCB-991-00122	67.98
		to M319999	I-U-15	40 mm	70 mm	JCB-991-00015	41.52
MODEL 3D MKII							
ARM			I-U-15	2-1/2"	4-1/2"	JCB-991-00008	148.72
BOOM			I-U-15	2-1/2"	4-1/2"	JCB-991-00008	148.72
BUCKET / JAW BUCKET			I-SP-13	2"	4"	JCB-991-00003	77.33
LIFT			I-U-15	2-1/2"	4"	JCB-991-00005	143.38
SLEW HD			N-N-13		5"	JCB-991-00010	79.43
SLEW STD			N-N-8		4-1/2"	JCB-991-00011	120.56

Backhoe Loaders							
APPLICATION	CYL #	SERIAL #	CODE	ROD	BORE	KIT #	List \$
MODEL 3D MKII							
STABILIZER			I-U-15	2"	3-5/8"	JCB-991-00002	114.96
STEERING			I-U-15	1"	2"	JCB-991-00009	53.48
TILT			I-SP-13	2"	4"	JCB-991-00003	77.33
MODEL 3D MKIII							
ARM		M125001-M290000	I-U-15	2-1/2"	4-1/2"	JCB-991-00008	148.72
BUCKET		M125001-M290000	I-SP-13	2"	4"	JCB-991-00003	77.33
DIPPER		M125001-M290000	I-U-15	2-1/2"	4-1/2"	JCB-991-00008	148.72
EXTENSION		M125001-M290000	I-SP-15	1-1/2"	2-3/4"	JCB-991-00001	83.89
GRAB		M125001-M290000	I-U-15	2-1/2"	4-1/2"	JCB-991-00008	148.72
GRAB 6 IN 1		M125001-M290000	I-U-15	2"	3-5/8"	JCB-991-00002	114.96
JAW BUCKET		M125001-M290000	I-SP-13	2"	4"	JCB-991-00003	77.33
LOADER BOOM		M125001-M290000	I-U-15	2-1/2"	4-1/2"	JCB-991-00008	148.72
LOADER LIFT		M125001-M290000	I-U-15	2-1/2"	4"	JCB-991-00005	143.38
LOADER TILT		M125001-M290000	I-SP-13	2"	4"	JCB-991-00003	77.33
		M125986	I-U-15	63 mm	5"	JCB-991-00007	278.09
POLE PLANTER RAM		M125001-M290000	I-SP-15	1-1/2"	2-3/4"	JCB-991-00001	83.89
STABILIZER		M125001-M290000	I-U-15	2"	3-5/8"	JCB-991-00002	114.96
STEERING		M125001-M290000	I-U-15	1"	2"	JCB-991-00009	53.48
MODEL 4CN, 4C TURBO							
BACKHOE BOOM		-->M319999	I-U-15	60 mm	110 mm	JCB-991-00014	67.13
		M320000-UP	I-U-15	60 mm	110 mm	JCB-991-00058	97.34
BACKHOE BUCKET		-->M319999	I-U-15	50 mm	90 mm	JCB-991-00013	63.48
		M320000-UP	I-U-15	50 mm	90 mm	JCB-991-00096	143.27
LOADER LIFT		-->M319999	I-U-15	50 mm	80 mm	JCB-991-00016	74.63
		M320000-UP	I-U-15	50 mm	80 mm	JCB-991-00061	144.40
LOADER TILT		-->M319999	I-U-15	40 mm	70 mm	JCB-991-00015	41.52
		M320000-UP	I-U-15	40 mm	70 mm	JCB-991-00122	67.98
STABILIZER		-->M319999	I-U-15	60 mm	100 mm	JCB-991-00012	69.85
		M320000-UP	I-U-15	60 mm	100 mm	JCB-991-00055	155.29
STEERING-2WD		M290000-M300725	I-U-15	30 mm	60 mm	JCB-991-00017	72.76
		M300726-M337000	I-U-14	30 mm	60 mm	JCB-991-00021	58.12
STEERING-4WD		M290000-M297207	I-U-15	30 mm	60 mm	JCB-991-00017	72.76
		M297208-M319999	I-U-14	30 mm	60 mm	JCB-991-00020	35.84
		M320000-M337000	I-U-14	30 mm	60 mm	JCB-991-00021	58.12
		M337001-M356443	I-U-15	30 mm	70 mm	JCB-991-00036	62.12
STICK		-->M319999	I-U-15	60 mm	100 mm	JCB-991-00012	69.85
		M320000-UP	I-U-15	60 mm	100 mm	JCB-991-00055	155.29
STICK EXTENSION		-->M319999	I-U-15	40 mm	70 mm	JCB-991-00015	41.52
		M320000-UP	I-U-15	40 mm	70 mm	JCB-991-00122	67.98
SWING - Heavy Duty		-->M319999	I-U-15	60 mm	110 mm	JCB-991-00014	67.13
		M320000-UP	I-U-15	60 mm	110 mm	JCB-991-00058	97.34
SWING - Standard		-->M319999	I-U-15	60 mm	100 mm	JCB-991-00012	69.85
		M320000-UP	I-U-15	60 mm	100 mm	JCB-991-00055	155.29
MODEL 208S, 208S HF							
BOOM	556-60025	M751600-UP	I-U-10	40 mm	70 mm	JCB-991-00100	71.08
BUCKET 7' 3"	556-60026	M751600-UP	I-U-10	40 mm	70 mm	JCB-991-00100	71.08
BUCKET 8' 4"	556-60049	M751600-UP	I-U-10	40 mm	70 mm	JCB-991-00100	71.08
CLAMSHOVEL	551-60021	M751600-UP	I-U-10	25 mm	50 mm	JCB-991-00097	60.88
	980-38800	M751600-UP	I-U-10	25 mm	50 mm	JCB-991-00097	60.88
DIPPER	556-60027	M751600-UP	I-U-10	40 mm	70 mm	JCB-991-00100	71.08
HIGHTIP	997-07700	M751600-UP	I-U-15	1-3/8"	2"	JCB-903-10301	54.50
LIFT	553-60005	M751600-UP	I-U-10	30 mm	60 mm	JCB-991-00098	67.17
SHOVEL	553-60004	M751600-UP	I-U-10	30 mm	60 mm	JCB-991-00098	67.17
SIDETIP	997-0090	M751600-UP	I-U-15	1-1/2"	2-1/2"	JCB-997-00908	170.49
STABILIZER	553-60006	M751600-UP	I-U-10	30 mm	60 mm	JCB-991-00098	67.17

JCB

Replacement Kits For

Backhoe Loaders							
APPLICATION	CYL #	SERIAL #	CODE	ROD	BORE	KIT #	List \$
MODEL 210S, 210SU							
BUCKET	556-60000	M762248-M769999	I-U-10	40 mm	70 mm	JCB-991-00100	71.08
EXTENSION	553-60010	M762248-M769999	I-U-10	30 mm	60 mm	JCB-991-00098	67.17
	553-60022	M762248-M769999	I-U-10	30 mm	60 mm	JCB-991-00098	67.17
LIFT	556-60017	M762248-M769999	I-U-10	40 mm	70 mm	JCB-991-00100	71.08
LIFT LH	556-60023	M762248-M769999	I-U-10	40 mm	70 mm	JCB-991-00100	71.08
LIFT RH	556-60024	M762248-M769999	I-U-10	40 mm	70 mm	JCB-991-00100	71.08
SHOVEL	556-60084	M762248-M769999	I-U-10	40 mm	70 mm	JCB-991-00100	71.08
STABILIZER	556-60003	M762248-M769999	I-U-10	40 mm	70 mm	JCB-991-00100	71.08
	556-60093	M762248-M769999	I-U-10	40 mm	70 mm	JCB-991-00100	71.08
SWING	556-60010	M762248-M769999	I-U-10	40 mm	70 mm	JCB-991-00100	71.08
MODEL 214							
BOOM	561-39000	M400001-M430000	I-U-15	60 mm	110 mm	JCB-991-00131	97.34
	561-39100	M400001-M430000	I-U-15	60 mm	110 mm	JCB-991-00131	97.34
	561-60028	M400001-M430000	I-U-10	60 mm	110 mm	JCB-991-00110	118.11
	561-90011	M400001-M430000	I-U-10	60 mm	110 mm	JCB-991-00110	118.11
BUCKET	557-16000	M400001-M430000	I-U-15	50 mm	90 mm	JCB-991-00127	143.27
	557-16600	M400001-M430000	I-U-10	50 mm	90 mm	JCB-991-00103	70.36
	557-60006	M400001-M430000	I-U-15	50 mm	90 mm	JCB-991-00013	63.48
CLAMSHOVEL	556-31900	M400001-M430000	I-U-15	40 mm	70 mm	JCB-991-00122	67.98
	556-44000	M400001-M430000	I-U-10	40 mm	70 mm	JCB-991-00100	71.08
	556-60019	M400001-M430000	I-U-10	40 mm	70 mm	JCB-991-00100	71.08
DIPPER	559-50000	M400001-M430000	I-U-15	60 mm	100 mm	JCB-991-00055	155.29
	559-50100	M400001-M430000	I-U-15	60 mm	100 mm	JCB-991-00055	155.29
	559-60009	M400001-M430000	I-U-10	60 mm	100 mm	JCB-991-00145	93.27
	559-60019	M400001-M430000	I-U-10	60 mm	100 mm	JCB-991-00145	93.27
EXTENSION	556-31000	M400001-M430000	I-U-15	40 mm	70 mm	JCB-991-00122	67.98
	556-44500	M400001-M430000	I-U-10	40 mm	70 mm	JCB-991-00100	71.08
	556-45400	M400001-M430000	I-U-15	40 mm	70 mm	JCB-991-00122	67.98
	556-60057	M400001-M430000	I-U-10	40 mm	70 mm	JCB-991-00100	71.08
JAW BUCKET	560-34300	M400001-M430000	I-SP-13	2"	4"	JCB-991-00003	77.33
LIFT	576-22100	M400001-M430000	I-U-15	50 mm	80 mm	JCB-991-00123	96.79
	576-60000	M400001-M430000	I-U-10	50 mm	80 mm	JCB-991-00102	90.57
SHOVEL	556-28900	M400001-M430000	I-U-15	40 mm	70 mm	JCB-991-00122	67.98
	556-44700	M400001-M430000	I-U-10	40 mm	70 mm	JCB-991-00095	71.08
STABILIZER	556-43700	M400001-M430000	I-U-10	40 mm	70 mm	JCB-991-00100	71.08
	559-53600	M400001-M430000	I-U-15	60 mm	100 mm	JCB-991-00055	155.29
	559-53700	M400001-M430000	I-U-15	60 mm	100 mm	JCB-991-00055	155.29
	559-60004	M400001-M430000	I-U-10	60 mm	100 mm	JCB-991-00145	93.27
	559-60005	M400001-M430000	I-U-10	60 mm	100 mm	JCB-991-00145	93.27
STEERING	556-33800	M400001-M430000	I-U-10	30 mm	70 mm	JCB-991-00099	71.15
	556-34000	M400001-M430000	I-U-10	30 mm	70 mm	JCB-991-00099	71.15
	556-46400	M400001-M430000	I-U-10	30 mm	70 mm	JCB-991-00099	71.15
	556-46500	M400001-M430000	I-U-10	30 mm	70 mm	JCB-991-00099	71.15
SWING	557-60074	M921696-	I-U-10	50 mm	90 mm	JCB-991-00163	75.19
	559-53400	M400001-M430000	I-U-15	60 mm	100 mm	JCB-991-00055	155.29
	559-53500	M400001-M430000	I-U-15	60 mm	100 mm	JCB-991-00055	155.29
MODEL 214E							
BOOM	561-60028	M430001-UP	I-U-10	60 mm	110 mm	JCB-991-00110	118.11
BUCKET	557-60006	M430001-UP	I-U-10	50 mm	90 mm	JCB-991-00103	70.36
DIPPER	559-60019	M430001-UP	I-U-10	60 mm	100 mm	JCB-991-00145	93.27
EXTENSION	556-60057	M430001-UP	I-U-10	40 mm	70 mm	JCB-991-00100	71.08
LIFT	576-60000	M430001-UP	I-U-10	50 mm	80 mm	JCB-991-00102	90.57
SHOVEL	556-44700	M430001-UP	I-U-10	40 mm	70 mm	JCB-991-00100	71.08
STABILIZER LH	559-60004	M430001-UP	I-U-10	60 mm	100 mm	JCB-991-00145	93.27
STABILIZER RH	559-60005	M430001-UP	I-U-10	60 mm	100 mm	JCB-991-00145	93.27

JCB

Backhoe Loaders							
APPLICATION	CYL #	SERIAL #	CODE	ROD	BORE	KIT #	List \$
MODEL 214E							
STEERING	556-46400	M430001-UP	I-U-10	30 mm	70 mm	JCB-991-00099	71.15
	556-46500	M430001-UP	I-U-10	30 mm	70 mm	JCB-991-00099	71.15
SWING	559-53400	M430001-UP	I-U-15	60 mm	100 mm	JCB-991-00055	155.29
	559-53500	M430001-UP	I-U-15	60 mm	100 mm	JCB-991-00055	155.29
MODEL 214SM-4							
BOOM LIFT	563-60028	M460001-UP	I-U-10	65 mm	120 mm	JCB-991-00115	59.21
	563-60029	M460001-UP	I-U-10	65 mm	120 mm	JCB-991-00115	59.21
BUCKET	557-60006	M460001-UP	I-U-10	50 mm	90 mm	JCB-991-00103	70.36
	557-60016	M460001-UP	I-U-10	50 mm	90 mm	JCB-991-00103	70.36
	557-60030	M460001-UP	I-U-10	60 mm	90 mm	JCB-991-00147	120.42
CLAMSHOVEL	556-60077	M460001-UP	I-U-10	40 mm	70 mm	JCB-991-00100	71.08
DIPPER LIFT	561-60060	M460001-UP	I-U-10	60 mm	110 mm	JCB-991-00148	132.21
	561-60061	M460001-UP	I-U-10	60 mm	110 mm	JCB-991-00148	132.21
	561-60071	M460001-UP	I-U-10	60 mm	110 mm	JCB-991-00148	132.21
EXTENSION	556-60057	M460001-UP	I-U-10	40 mm	70 mm	JCB-991-00100	71.08
JAW BUCKET	560-34300	M460001-UP	I-SP-13	2"	4"	JCB-991-00003	77.33
LIFT	576-60000	M460001-UP	I-U-10	50 mm	80 mm	JCB-991-00102	90.57
SHOVEL	556-44700	M460001-UP	I-U-10	40 mm	70 mm	JCB-991-00100	71.08
STABILIZER	559-60063	M460001-UP	I-U-10	60 mm	100 mm	JCB-991-00145	93.27
	559-60069	M460001-UP	I-U-10	60 mm	100 mm	JCB-991-00152	89.44
STEERING	573-20001	M460001-UP	I-U-10	45 mm	75 mm	JCB-991-00156	114.25
SWING	559-60069	M460001-UP	I-U-10	60 mm	100 mm	JCB-991-00152	89.44
MODEL 215-4 CENTERMOUNT SERIES 3							
BOOM	556-60004	M460001-UP	I-U-10	75 mm	140 mm	JCB-991-00144	212.26
BUCKET	559-60024	M460001-UP	I-U-10	60 mm	100 mm	JCB-991-00145	93.27
	559-60074	M460001-UP	I-U-10	60 mm	100 mm	JCB-991-00145	93.27
CLAMSHOVEL	556-60077	M460001-UP	I-U-10	40 mm	70 mm	JCB-991-00100	71.08
DIPPER	561-60048	M460001-UP	I-U-10	65 mm	110 mm	JCB-991-00146	110.31
	561-60085	M460001-UP	I-U-10	65 mm	110 mm	JCB-991-00146	110.31
EXTENSION	556-60057	M460001-UP	I-U-10	40 mm	70 mm	JCB-991-00100	71.08
JAW BUCKET	560-34300	M460001-UP	I-SP-13	2"	4"	JCB-991-00003	77.33
LIFT	576-60000	M460001-UP	I-U-10	50 mm	80 mm	JCB-991-00102	90.57
SHOVEL	556-44700	M460001-UP	I-U-10	40 mm	70 mm	JCB-991-00100	71.08
SHOVEL C/W Reset Bracket	556-60022	M460001-UP	I-U-10	40 mm	70 mm	JCB-991-00100	71.08
STABILIZER	559-60063	M460001-UP	I-U-10	60 mm	100 mm	JCB-991-00145	93.27
STEERING	573-10001	M460001-UP	I-U-10	45 mm	75 mm	JCB-991-00156	114.25
SWING	559-60069	M460001-UP	I-U-10	60 mm	100 mm	JCB-991-00152	89.44
MODEL 215S							
BOOM	563-22600	M400001-M430000	I-U-15	65 mm	120 mm	JCB-991-00135	122.82
	563-60007	M400001-M430000	I-U-10	65 mm	120 mm	JCB-991-00115	59.21
	565-60004	M400001-M430000	I-U-10	70 mm	130 mm	JCB-991-00120	159.53
BUCKET	557-16000	M400001-M430000	I-U-15	50 mm	90 mm	JCB-991-00127	143.27
	557-16600	M400001-M430000	I-U-10	50 mm	90 mm	JCB-991-00103	70.36
CLAMSHOVEL	553-13800	M400001-M430000	I-U-15	40 mm	70 mm	JCB-991-00122	67.98
	556-44000	M400001-M430000	I-U-10	40 mm	70 mm	JCB-991-00095	71.08
	556-60019	M400001-M430000	I-U-10	40 mm	70 mm	JCB-991-00095	71.08
	556-60051	M400001-M430000	I-U-10	40 mm	70 mm	JCB-991-00095	71.08
DIPPER	559-50200	M400001-M430000	I-U-15	60 mm	100 mm	JCB-991-00130	155.29
	559-60013	M400001-M430000	I-U-10	60 mm	100 mm	JCB-991-00145	93.27
EXTENSION	556-31000	M400001-M430000	I-U-15	40 mm	70 mm	JCB-991-00122	67.98
	556-44500	M400001-M430000	I-U-10	40 mm	70 mm	JCB-991-00095	71.08
	556-45400	M400001-M430000	I-U-15	40 mm	70 mm	JCB-991-00122	67.98
JAW BUCKET	560-34300	M400001-M430000	I-SP-13	2"	4"	JCB-991-00003	77.33
LIFT	557-13100	M400001-M430000	I-U-15	50 mm	90 mm	JCB-991-00127	143.27
	557-16100	M400001-M430000	I-U-15	50 mm	90 mm	JCB-991-00127	143.27

Replacement Kits For

JCB

Backhoe Loaders							
APPLICATION	CYL #	SERIAL #	CODE	ROD	BORE	KIT #	List \$
MODEL 215S							
LIFT	557-60000	M400001-M430000	I-U-10	50 mm	90 mm	JCB-991-00103	70.36
	557-60004	M400001-M430000	I-U-10	50 mm	90 mm	JCB-991-00103	70.36
SHOVEL	556-28900	M400001-M430000	I-U-15	40 mm	70 mm	JCB-991-00122	67.98
	556-44700	M400001-M430000	I-U-10	40 mm	70 mm	JCB-991-00095	71.08
	556-60022	M400001-M430000	I-U-10	40 mm	70 mm	JCB-991-00095	71.08
STABILIZER	559-53600	M400001-M430000	I-U-15	60 mm	100 mm	JCB-991-00130	155.29
	559-53700	M400001-M430000	I-U-15	60 mm	100 mm	JCB-991-00130	155.29
	559-60004	M400001-M430000	I-U-10	60 mm	100 mm	JCB-991-00145	93.27
	559-60005	M400001-M430000	I-U-10	60 mm	100 mm	JCB-991-00145	93.27
STEERING LH - Front	553-09600	M400001-M430000	I-U-10	30 mm	60 mm	JCB-991-00098	67.17
	553-13400	M400001-M430000	I-U-10	30 mm	60 mm	JCB-991-00098	67.17
STEERING LH - Rear	553-09800	M400001-M430000	I-U-10	30 mm	60 mm	JCB-991-00098	67.17
	553-13800	M400001-M430000	I-U-10	30 mm	60 mm	JCB-991-00098	67.17
	553-14100	M400001-M430000	I-U-10	30 mm	60 mm	JCB-991-00098	67.17
STEERING RH - Front	553-09700	M400001-M430000	I-U-10	30 mm	60 mm	JCB-991-00098	67.17
	553-13600	M400001-M430000	I-U-10	30 mm	60 mm	JCB-991-00098	67.17
STEERING RH - Rear	553-09900	M400001-M430000	I-U-10	30 mm	60 mm	JCB-991-00098	67.17
	553-13800	M400001-M430000	I-U-10	30 mm	60 mm	JCB-991-00098	67.17
	553-14300	M400001-M430000	I-U-10	30 mm	60 mm	JCB-991-00098	67.17
SWING	559-52800	M400001-M430000	I-U-15	60 mm	100 mm	JCB-991-00130	155.29
	559-52900	M400001-M430000	I-U-15	60 mm	100 mm	JCB-991-00130	155.29
	559-53400	M400001-M430000	I-U-15	60 mm	100 mm	JCB-991-00130	155.29
	559-53500	M400001-M430000	I-U-15	60 mm	100 mm	JCB-991-00130	155.29
MODEL 1400, 1400B							
BOOM	561-31200	M337001-M399999	I-U-15	60 mm	110 mm	JCB-991-00131	97.34
	561-39000	M337001-M399999	I-U-15	60 mm	110 mm	JCB-991-00131	97.34
	561-60011	M337001-M399999	I-U-15	60 mm	110 mm	JCB-991-00131	97.34
CLAMSHOVEL	556-23700	TO M435696	I-U-15	40 mm	70 mm	JCB-991-00122	67.98
	556-31900	M337001-M399999	I-U-15	40 mm	70 mm	JCB-991-00122	67.98
DIPPER	557-12900	M337001-M399999	I-U-15	50 mm	90 mm	JCB-991-00127	143.27
	557-16600	M337001-M399999	I-U-15	50 mm	90 mm	JCB-991-00127	143.27
	559-44000	M337001-M399999	I-U-15	60 mm	100 mm	JCB-991-00130	155.29
	559-50000	M337001-M399999	I-U-15	60 mm	100 mm	JCB-991-00130	155.29
EXTENSION	556-23800	M337001-M399999	I-U-15	40 mm	70 mm	JCB-991-00122	67.98
	556-31000	M337001-M399999	I-U-15	40 mm	70 mm	JCB-991-00122	67.98
JAW BUCKET	560-34300	M337001-M399999	I-SP-13	2"	4"	JCB-991-00003	77.33
LIFT	576-14100	M337001-M399999	I-U-15	50 mm	80 mm	JCB-991-00123	96.79
SHOVEL	556-23900	M337001-M399999	I-U-15	40 mm	70 mm	JCB-991-00122	67.98
STABILIZER	556-23600	M337001-M399999	I-U-15	40 mm	70 mm	JCB-991-00122	67.98
STABILIZER LH	559-36300	M337001-M399999	I-U-15	60 mm	100 mm	JCB-991-00130	155.29
	559-53600	M337001-M399999	I-U-15	60 mm	100 mm	JCB-991-00130	155.29
	559-60004	M337001-M399999	I-U-15	60 mm	100 mm	JCB-991-00130	155.29
STABILIZER RH	559-36400	M337001-M399999	I-U-15	60 mm	100 mm	JCB-991-00130	155.29
	559-53700	M337001-M399999	I-U-15	60 mm	100 mm	JCB-991-00130	155.29
	559-60005	M337001-M399999	I-U-15	60 mm	100 mm	JCB-991-00130	155.29
STEERING	556-27600	M337001-M399999	I-U-15	30 mm	70 mm	JCB-991-00036	62.12
	556-28700	M337001-M399999	I-U-15	30 mm	70 mm	JCB-991-00036	62.12
	556-46400	M337001-M399999	I-U-10	30 mm	70 mm	JCB-991-00099	71.15
	556-46500	M337001-M399999	I-U-10	30 mm	70 mm	JCB-991-00099	71.15
SWING LH	559-53400	M337001-M399999	I-U-15	60 mm	100 mm	JCB-991-00130	155.29
SWING RH	559-53500	M337001-M399999	I-U-15	60 mm	100 mm	JCB-991-00130	155.29
MODEL 1550, 1550B							
BOOM	563-15500	M337001-M399999	I-U-15	65 mm	120 mm	JCB-991-00135	122.82
BUCKET	557-12900	M337001-M399999	I-U-15	50 mm	90 mm	JCB-991-00127	143.27
	557-16000	M337001-M399999	I-U-15	50 mm	90 mm	JCB-991-00127	143.27

JCB

JCB

Replacement Kits For

Backhoe Loaders							
APPLICATION	CYL #	SERIAL #	CODE	ROD	BORE	KIT #	List \$
MODEL 1550, 1550B							
BUCKET	557-16600	M337001-M399999	I-U-15	50 mm	90 mm	JCB-991-00127	143.27
CLAMSHOVEL	556-23700	M337001-M399999	I-U-15	40 mm	70 mm	JCB-991-00122	67.98
	556-31900	M337001-M399999	I-U-15	40 mm	70 mm	JCB-991-00122	67.98
	556-44000	M337001-M399999	I-U-15	40 mm	70 mm	JCB-991-00122	67.98
	559-43200	M337001-M399999	I-U-15	60 mm	100 mm	JCB-991-00130	155.29
DIPPER	559-50200	M337001-M399999	I-U-15	60 mm	100 mm	JCB-991-00130	155.29
	556-23800	M337001-M399999	I-U-15	40 mm	70 mm	JCB-991-00122	67.98
EXTENSION - Long Type	556-31000	M337001-M399999	I-U-15	40 mm	70 mm	JCB-991-00122	67.98
	556-44500	M337001-M399999	I-U-15	40 mm	70 mm	JCB-991-00122	67.98
	560-34300	M337001-M399999	I-SP-13	2"	4"	JCB-991-00003	77.33
JAW BUCKET	576-14100	M337001-M399999	I-U-15	50 mm	80 mm	JCB-991-00123	96.79
LIFT	556-23900	M337001-M399999	I-U-15	40 mm	70 mm	JCB-991-00122	67.98
SHOVEL	556-36400	M337001-M399999	I-U-15	60 mm	100 mm	JCB-991-00130	155.29
STABILIZER	559-53700	M337001-M399999	I-U-15	60 mm	100 mm	JCB-991-00130	155.29
	559-60005	M337001-M399999	I-U-15	60 mm	100 mm	JCB-991-00130	155.29
	556-27600	M337001-M399999	I-U-15	30 mm	70 mm	JCB-991-00036	62.12
STEERING	556-28700	M337001-M399999	I-U-15	30 mm	70 mm	JCB-991-00036	62.12
	556-33800	M337001-M399999	I-U-15	30 mm	70 mm	JCB-991-00036	62.12
	556-33800	M337001-M399999	I-U-10	30 mm	70 mm	JCB-991-00099	71.15
	556-34000	M337001-M399999	I-U-15	30 mm	70 mm	JCB-991-00036	62.12
	556-34000	M337001-M399999	I-U-10	30 mm	70 mm	JCB-991-00099	71.15
	556-46400	M337001-M399999	I-U-10	30 mm	70 mm	JCB-991-00099	71.15
	556-46500	M337001-M399999	I-U-10	30 mm	70 mm	JCB-991-00099	71.15
	559-53400	M337001-M399999	I-U-15	60 mm	100 mm	JCB-991-00130	155.29
SWING	559-53400	M337001-M399999	I-U-15	60 mm	100 mm	JCB-991-00130	155.29
MODEL 1700B							
BUCKET	557-12900	M337001-M399999	I-U-15	50 mm	90 mm	JCB-991-00127	143.27
	557-16000	M337001-M399999	I-U-15	50 mm	90 mm	JCB-991-00127	143.27
	557-16600	M337001-M399999	I-U-15	50 mm	90 mm	JCB-991-00127	143.27
	559-36100	M337001-M399999	I-U-15	60 mm	100 mm	JCB-991-00130	155.29
CLAMSHOVEL	556-23700	TO M345696	I-U-15	40 mm	70 mm	JCB-991-00122	67.98
	556-44000	M337001-M399999	I-U-15	40 mm	70 mm	JCB-991-00122	67.98
EXTENSION	556-23800	M337001-M399999	I-U-15	40 mm	70 mm	JCB-991-00122	67.98
	556-31000	M337001-M399999	I-U-15	40 mm	70 mm	JCB-991-00122	67.98
	556-44500	M337001-M399999	I-U-15	40 mm	70 mm	JCB-991-00122	67.98
JAW BUCKET	560-34300	M337001-M399999	I-SP-13	2"	4"	JCB-991-00003	77.33
LIFT	576-14100	M337001-M399999	I-U-15	50 mm	80 mm	JCB-991-00123	96.79
SHOVEL	576-14300	M337001-M399999	I-U-15	50 mm	80 mm	JCB-991-00123	96.79
	576-20200	M337001-M399999	I-U-15	50 mm	80 mm	JCB-991-00123	96.79
STABILIZER LH	559-36300	M337001-M399999	I-U-15	60 mm	100 mm	JCB-991-00130	155.29
	559-53600	M337001-M399999	I-U-15	60 mm	100 mm	JCB-991-00130	155.29
	559-60004	M337001-M399999	I-U-15	60 mm	100 mm	JCB-991-00130	155.29
STABILIZER RH	559-36400	M337001-M399999	I-U-15	60 mm	100 mm	JCB-991-00130	155.29
	559-53700	M337001-M399999	I-U-15	60 mm	100 mm	JCB-991-00130	155.29
	559-60005	M337001-M399999	I-U-15	60 mm	100 mm	JCB-991-00130	155.29
	556-27600	M337001-M399999	I-U-15	30 mm	70 mm	JCB-991-00036	62.12
STEERING	556-28700	M337001-M399999	I-U-15	30 mm	70 mm	JCB-991-00036	62.12
	556-46400	M337001-M399999	I-U-10	30 mm	70 mm	JCB-991-00099	71.15
	556-46500	M337001-M399999	I-U-10	30 mm	70 mm	JCB-991-00099	71.15
	559-53400	M337001-M399999	I-U-15	60 mm	100 mm	JCB-991-00130	155.29
SWING LH	559-53400	M337001-M399999	I-U-15	60 mm	100 mm	JCB-991-00130	155.29
SWING RH	559-53500	M337001-M399999	I-U-15	60 mm	100 mm	JCB-991-00130	155.29
MODEL Midi CX							
BACKHOE BOOM		00972175-00989999; 01327000-01349999	I-U-10	45 mm	80 mm	JCB-991-10001	72.97
BACKHOE BUCKET		00972175-00989999; 01327000-01349999	I-U-10	40 mm	60 mm	JCB-991-10081	49.49

JCB

Backhoe Loaders							
APPLICATION	CYL #	SERIAL #	CODE	ROD	BORE	KIT #	List \$
MODEL Midi CX							
BACKHOE BUCKET		00972175-00989999; 01327000-01349999	I-U-10	35 mm	60 mm	JCB-991-00170	58.68
BACKHOE DIPPER		00972175-00989999; 01327000-01349999	I-U-10	45 mm	80 mm	JCB-991-10001	72.97
KERB GRAB		00972175-00989999; 01327000-01349999	I-U-10	25 mm	50 mm	JCB-991-00097	60.88
LOADER LIFT		00972175-00989999; 01327000-01349999	I-U-10	35 mm	60 mm	JCB-991-00170	58.68
LOADER SHOVEL		00972175-00989999; 01327000-01349999	I-U-10	30 mm	60 mm	JCB-991-00098	67.17
SLEW/SWING		00972175-00989999; 01327000-01349999	I-U-10	40 mm	70 mm	JCB-991-10151	34.88
STABILIZER, CENTERMOUNT		00972175-00989999; 01327000-01349999	I-U-10	40 mm	70 mm	JCB-991-10152	101.41
STABILIZER, SIDESHIFT		00972175-00989999; 01327000-01349999	I-U-10	40 mm	60 mm	JCB-991-10081	49.49
MODEL SITEMASTER							
BACKHOE BOOM	561-31200	M337001-M399999	I-U-15	60 mm	110 mm	JCB-991-00131	97.34
	561-60011	M337001-M399999	I-U-15	60 mm	110 mm	JCB-991-00131	97.34
BACKHOE BUCKET	557-12900	M337001-M399999	I-U-15	50 mm	90 mm	JCB-991-00127	143.27
	557-16000	M337001-M399999	I-U-15	50 mm	90 mm	JCB-991-00127	143.27
	557-16600	M337001-M399999	I-U-15	50 mm	90 mm	JCB-991-00127	143.27
CLAMSHOVEL	556-23700	M337001-M399999	I-U-15	40 mm	70 mm	JCB-991-00122	67.98
	556-31900	M337001-M399999	I-U-15	40 mm	70 mm	JCB-991-00122	67.98
	556-44000	M337001-M399999	I-U-15	40 mm	70 mm	JCB-991-00122	67.98
DIPPER	559-44000	M337001-M399999	I-U-15	60 mm	100 mm	JCB-991-00130	155.29
	559-50000	M337001-M399999	I-U-15	60 mm	100 mm	JCB-991-00130	155.29
EXTENSION	556-23800	M337001-M399999	I-U-15	40 mm	70 mm	JCB-991-00122	67.98
	556-31000	M337001-M399999	I-U-15	40 mm	70 mm	JCB-991-00122	67.98
	556-44500	M337001-M399999	I-U-15	40 mm	70 mm	JCB-991-00122	67.98
JAW BUCKET	560-34300	M337001-M399999	I-SP-13	2"	4"	JCB-991-00003	77.33
LIFT	576-14100	M337001-M399999	I-U-15	50 mm	80 mm	JCB-991-00123	96.79
LOADER BOOM	561-39000	M337001-M399999	I-U-15	60 mm	110 mm	JCB-991-00131	97.34
SHOVEL	556-23900	M337001-M399999	I-U-15	40 mm	70 mm	JCB-991-00122	67.98
STABILIZER	559-36400	M337001-M399999	I-U-15	60 mm	100 mm	JCB-991-00130	155.29
STEERING	556-27600	M337001-M399999	I-U-15	30 mm	70 mm	JCB-991-00036	62.12
	556-28700	M337001-M399999	I-U-15	30 mm	70 mm	JCB-991-00036	62.12
	556-33800	M337001-M399999	I-U-15	30 mm	70 mm	JCB-991-00036	62.12
	556-34000	M337001-M399999	I-U-15	30 mm	70 mm	JCB-991-00036	62.12
	556-46400	M337001-M399999	I-U-10	30 mm	70 mm	JCB-991-00099	71.15
	556-46500	M337001-M399999	I-U-10	30 mm	70 mm	JCB-991-00099	71.15
SWING	559-53400	M337001-M399999	I-U-15	60 mm	100 mm	JCB-991-00130	155.29
Excavators - Compact							
APPLICATION	CYL #	SERIAL #	CODE	ROD	BORE	KIT #	List \$
MODEL 801							
ARM		M645001-M645999 M648000-M649999	I-U-5	30 mm	50 mm	JCB-231-02906	48.12
		M648652-M649999	I-U-10	30 mm	50 mm	JCB-231-02909	141.41
BLADE		M645001-M645999 M648000-M648696	I-U-5	35 mm	70 mm	JCB-231-22506	120.33
		M648697-M649999	I-U-10	35 mm	70 mm	JCB-231-32807	111.50
BOOM		M645001-M645999 M648000-M649999	I-U-5	30 mm	50 mm	JCB-231-02906	48.12
BUCKET		M645001-M645999 M648000-M649999	I-U-5	30 mm	50 mm	JCB-231-02906	48.12
		M648652-M649999	I-U-10	30 mm	50 mm	JCB-231-02909	141.41

JCB

Replacement Kits For

Excavators - Compact							
APPLICATION	CYL #	SERIAL #	CODE	ROD	BORE	KIT #	List \$
MODEL 801							
SWING		M645001-M645999 M648000-M648651	I-U-5	30 mm	50 mm	JCB-231-02906	48.12
		M648652-M649999	I-U-10	30 mm	50 mm	JCB-231-02909	141.41
MODEL 803							
ARM		M665001-M665736 M666001-M666935	I-U-10	40 mm	70 mm	JCB-232-02906	196.03
		M666936-M667435	I-U-10	40 mm	70 mm	JCB-232-56352	47.63
BLADE		M665001-M665736 M666001-M666930	I-U-10	45 mm	90 mm	JCB-232-22510	236.71
		M666931-M667435	I-U-10	45 mm	90 mm	JCB-232-56754	176.32
BOOM		M665001-M665736 M666001-M666956	I-U-10	40 mm	80 mm	JCB-232-08512	251.63
		M666957-M667435	I-U-10	40 mm	80 mm	JCB-232-56152	171.77
BUCKET		M665001-M665736 M666001-M666956	I-UB-10	50 mm	75 mm	JCB-232-03407	128.48
		M666957-M667435	I-U-10	50 mm	75 mm	JCB-232-56507	189.01
SWING		M666001-M666333	I-U-10	40 mm	80 mm	JCB-232-08512	251.63
		M666334-M667435	I-U-10	50 mm	80 mm	JCB-232-56956	109.38
MODEL 803 Magnum, 803 Plus							
ARM		M765607-M765699	I-U-10	40 mm	70 mm	JCB-232-56352	47.63
		M765700-Sept 98	I-U-10	40 mm	70 mm	JCB-232-95956	70.10
		M827240-	P-U-10	40 mm	70 mm	JCB-991-10112	209.49
		Sept 98-M827239	P-U-10	40 mm	70 mm	JCB-991-10112	209.49
BLADE		M765607-M827239	I-U-10	45 mm	90 mm	JCB-232-56754	176.32
		M827240-	I-U-10	45 mm	90 mm	JCB-232-56754	176.32
BOOM		M765607-M827239	P-U-10	40 mm	80 mm	JCB-991-10111	206.53
		M765607-M827239	I-U-10	40 mm	80 mm	JCB-232-56152	171.77
		M827240-	P-U-10	40 mm	80 mm	JCB-991-10111	206.53
BUCKET		M765607-M827239	I-U-10	50 mm	75 mm	JCB-232-56507	189.01
		M827240-	P-U-10	50 mm	75 mm	JCB-991-10113	163.26
SWING		M765607-M827239	I-U-10	50 mm	80 mm	JCB-232-56956	109.38
		M827240-	I-U-10	40 mm	80 mm	JCB-991-00167	85.67
MODEL 803 Super							
ARM		M765607-M827239	P-U-10	40 mm	70 mm	JCB-991-10112	209.49
		M827240	I-U-10	40 mm	70 mm	JCB-232-56352	47.63
BLADE		M765607-M827239 M827240	I-U-10	45 mm	90 mm	JCB-232-56754	176.32
BOOM		M765607-M827239 M827240-	P-U-10	40 mm	80 mm	JCB-991-10111	206.53
BUCKET		M795607-M827239	P-U-10	50 mm	75 mm	JCB-991-10113	163.26
		M827240-	I-UB-10	50 mm	75 mm	JCB-232-03407	128.48
SWING		M765607-M827239 M827240	I-U-10	50 mm	80 mm	JCB-232-56956	109.38
MODEL 804							
ARM		M734001-M734401	I-U-10	45 mm	75 mm	JCB-232-51254	161.75
BLADE		M734001-M734135	I-U-10	45 mm	90 mm	JCB-232-22510	236.71
		M734136-M734401	I-U-10	45 mm	90 mm	JCB-232-56754	176.32
BOOM		M734001-M734401	I-U-10	45 mm	90 mm	JCB-232-51155	135.44
BUCKET		M734001-M734401	I-U-10	45 mm	75 mm	JCB-232-51254	161.75
SWING		M734001-M734135	I-U-10	40 mm	80 mm	JCB-232-08512	251.63
		M734136-M734401	I-U-10	45 mm	90 mm	JCB-232-56754	176.32
MODEL 804 Plus							
ARM			I-U-10	40 mm	70 mm	JCB-232-56352	47.63
		M734402-M734629	P-U-10	40 mm	70 mm	JCB-991-10112	209.49
BLADE		M734402-M734629	I-U-10	45 mm	90 mm	JCB-232-56754	176.32
BOOM		M734402-M734629	P-U-10	40 mm	80 mm	JCB-991-10111	206.53
BUCKET		M734402-M734629	P-U-10	50 mm	75 mm	JCB-991-10113	163.26

Replacement Kits For

JCB

Excavators - Compact							
APPLICATION	CYL #	SERIAL #	CODE	ROD	BORE	KIT #	List \$
MODEL 804 Plus							
SWING		M734402-M734629	I-U-10	50 mm	80 mm	JCB-232-56956	109.38
MODEL 804 Super							
ARM		M34630-M734629 M734834-	I-U-10	45 mm	75 mm	JCB-991-00166	246.36
BLADE		M34630-M734629 M734834-	P-U-10	45 mm	90 mm	JCB-991-00165	185.90
BOOM		M34630-M734629 M734834-	I-U-10	45 mm	90 mm	JCB-991-00164	212.60
BUCKET		M34630-M734629 M734834-	I-U-10	50 mm	80 mm	JCB-991-00102	90.57
SWING		M34630-M734629 M734834-	I-U-10	40 mm	80 mm	JCB-991-00167	85.67
MODEL 8014							
BLADE			I-U-5	35 mm	70 mm	JCB-231-22506	120.33
		M791000-M795999	I-U-10	35 mm	70 mm	JCB-236-11516	95.61
BOOM		M791000-M791222	P-U-10	30 mm	50 mm	JCB-231-34316	188.89
		M791223-M795999	P-U-10	30 mm	55 mm	JCB-231-77408	174.21
SWING			P-U-10	30 mm	50 mm	JCB-991-10102	140.30
MODEL 8015							
BLADE		M730800-M731179 M820000-M821999 M894000-M895999	I-U-10	35 mm	70 mm	JCB-236-11516	95.61
BOOM		M730800-M731999	P-U-10	30 mm	50 mm	JCB-231-34316	188.89
		M820000-M821999	P-U-10	30 mm	55 mm	JCB-231-77408	174.21
BUCKET		M894878-M895999	I-U-10	30 mm	50 mm	JCB-231-35413	68.33
SWING		M894200-M895999	P-U-10	30 mm	50 mm	JCB-991-10102	140.30
MODEL 8017							
BLADE		M800000-M800999 M896000-M896999	I-U-10	35 mm	70 mm	JCB-231-22509	206.08
BOOM		M800000-M800999 M896000-M896999	P-U-10	30 mm	55 mm	JCB-231-77408	174.21
SWING		M800000-M800999 M896000-M896999	P-U-10	30 mm	50 mm	JCB-991-10102	140.30
MODEL 8025ZTS							
BOOM		01226500-01228500	P-U-10	40 mm	80 mm	JCB-991-10111	206.53
BUCKET		01226500-01228500	P-U-10	50 mm	75 mm	JCB-991-10113	163.26
DIPPER		01226500-01228500	P-U-10	40 mm	65 mm	JCB-983-11155	66.29
DOZER		01226500-01228500	P-U-10	45 mm	90 mm	JCB-903-20405	150.18
KERB GRAB		01226500-01228500	I-U-10	25 mm	50 mm	JCB-991-00097	60.88
SWING		01226500-01228500	P-U-10	40 mm	80 mm	JCB-903-20418	87.49
MODEL 8027Z							
BOOM		00898000-00898999	P-U-10	40 mm	80 mm	JCB-991-10111	206.53
		01226000-01776499	P-U-10	40 mm	80 mm	JCB-991-10111	206.53
BUCKET		00898000-00898999	P-U-10	50 mm	75 mm	JCB-991-10113	163.26
		01226000-01776499	P-U-10	50 mm	75 mm	JCB-991-10113	163.26
DIPPER		00898000-00898999	P-U-10	40 mm	65 mm	JCB-903-20434	93.15
		01226000-01776499	P-U-10	40 mm	65 mm	JCB-903-20434	93.15
DOZER		00898000-00898999	P-U-10	45 mm	90 mm	JCB-903-20405	150.18
		01226000-01776499	P-U-10	45 mm	90 mm	JCB-903-20405	150.18
SWING		00898000-00898999	P-U-10	40 mm	80 mm	JCB-903-20418	87.49
		01226000-01776499	P-U-10	40 mm	80 mm	JCB-903-20418	87.49
MODEL 8030ZTS							
BOOM		01228500-01230499	P-U-10	40 mm	80 mm	JCB-991-10111	206.53
BUCKET		01228500-01230499	I-U-10	50 mm	80 mm	JCB-991-00102	90.57
DIPPER		01228500-01230499	P-U-10	40 mm	65 mm	JCB-983-11155	66.29
DOZER		01228500-01230499	P-U-10	45 mm	90 mm	JCB-903-20405	150.18
KERB GRAB		01228500-01230499	I-U-10	25 mm	50 mm	JCB-991-00097	60.88

JCB

JCB

Replacement Kits For

Excavators - Compact							
APPLICATION	CYL #	SERIAL #	CODE	ROD	BORE	KIT #	List \$
MODEL 8030ZTS							
SWING		01228500-01230499	P-U-10	40 mm	80 mm	JCB-903-20418	87.49
MODEL 8032Z							
BOOM		0089900-00899999	P-U-10	40 mm	80 mm	JCB-991-10111	206.53
		01177000-01177999	P-U-10	40 mm	80 mm	JCB-991-10111	206.53
BUCKET		0089900-00899999	P-U-10	50 mm	75 mm	JCB-991-10113	163.26
		01177000-01177999	P-U-10	50 mm	75 mm	JCB-991-10113	163.26
DIPPER		0089900-00899999	P-U-10	40 mm	65 mm	JCB-903-20434	93.15
		01177000-01177999	P-U-10	40 mm	65 mm	JCB-903-20434	93.15
DOZER		0089900-00899999	P-U-10	45 mm	90 mm	JCB-903-20405	150.18
		01177000-01177999	P-U-10	45 mm	90 mm	JCB-903-20405	150.18
SWING		0089900-00899999	P-U-10	40 mm	80 mm	JCB-903-20418	87.49
		01177000-01177999	P-U-10	40 mm	80 mm	JCB-903-20418	87.49
MODEL 8035ZTS							
BOOM		01230500-12314999	I-U-10	45 mm	90 mm	JCB-991-00164	212.60
DIPPER		01230500-12314999	I-U-10	45 mm	75 mm	JCB-991-00166	246.36
DOZER		01230500-12314999	P-U-10	45 mm	90 mm	JCB-903-20405	150.18
KERB GRAB		01230500-12314999	I-U-10	25 mm	50 mm	JCB-991-00097	60.88
SWING		01230500-12314999	P-U-10	40 mm	80 mm	JCB-903-20418	87.49
MODEL 8052							
ARM		M802000-	I-U-10	60 mm	90 mm	JCB-991-00147	120.42
BLADE		M802000-M802678	I-U-10	50 mm	80 mm	JCB-991-00102	90.57
		M802679-	I-U-10	60 mm	110 mm	JCB-991-00110	118.11
BOOM		M802000-	I-U-10	60 mm	100 mm	JCB-991-00145	93.27
BUCKET		M802000-	I-U-10	50 mm	80 mm	JCB-991-00102	90.57
SWING		M802000-	I-U-10	50 mm	90 mm	JCB-991-00103	70.36
MODEL 8060							
BOOM		00883000-00883829	I-U-10	60 mm	110 mm	JCB-991-10121	82.93
		00883830-00884999	I-U-10	60 mm	110 mm	JCB-991-10121	82.93
		01236000-01237999	I-U-10	60 mm	110 mm	JCB-991-10121	82.93
BUCKET		00883000-00883829	I-U-10	60 mm	90 mm	JCB-991-00147	120.42
		00883830-00884999	I-U-10	60 mm	90 mm	JCB-991-00147	120.42
		01236000-01237999	I-U-10	60 mm	90 mm	JCB-991-00147	120.42
DIPPER		00883000-00883829	I-U-10	60 mm	100 mm	JCB-991-00145	93.27
		00883830-00884999	I-U-10	60 mm	100 mm	JCB-991-00145	93.27
		01236000-01237999	I-U-10	60 mm	100 mm	JCB-991-00145	93.27
DOZER		00883000-00883829	I-U-10	60 mm	110 mm	JCB-991-00110	118.11
		00883830-00884999	I-U-10	60 mm	110 mm	JCB-991-00110	118.11
		01236000-01237999	I-U-10	60 mm	110 mm	JCB-991-00110	118.11
SWING		00883000-00883829	I-U-10	50 mm	90 mm	JCB-991-10122	112.46
		00883830-00884999	I-U-10	50 mm	90 mm	JCB-991-10122	112.46
		01236000-01237999	I-U-10	50 mm	90 mm	JCB-991-10122	112.46
MODEL 8065RTS							
BOOM		01536000-01537499	I-U-10	60 mm	110 mm	JCB-991-10121	82.93
BUCKET		01536000-01537499	I-U-10	50 mm	90 mm	JCB-991-00103	70.36
DIPPER		01536000-01537499	I-U-10	60 mm	100 mm	JCB-991-00145	93.27
DOZER		01536000-01537499	I-U-10	60 mm	110 mm	JCB-991-00110	118.11
SWING		01536000-01537499	I-U-10	50 mm	90 mm	JCB-991-00103	70.36
MODEL 8080							
BOOM		01024000-01025999	I-U-10	60 mm	100 mm	JCB-991-10138	91.23
		01024000-01025999	I-U-10	60 mm	110 mm	JCB-991-10144	100.02
		01442000-01443999	I-U-10	60 mm	110 mm	JCB-991-10144	100.02
		01442000-01443999	I-U-10	60 mm	100 mm	JCB-991-10138	91.23
BUCKET		01024000-01025999	I-U-10	50 mm	80 mm	JCB-991-00102	90.57
		01442000-01443999	I-U-10	50 mm	80 mm	JCB-991-00102	90.57
DIPPER		01024000-01025999	I-U-10	60 mm	90 mm	JCB-991-00147	120.42

JCB

Excavators - Compact							
APPLICATION	CYL #	SERIAL #	CODE	ROD	BORE	KIT #	List \$
MODEL 8080							
DIPPER		01442000-01443999	I-U-10	60 mm	90 mm	JCB-991-00147	120.42
DOZER		01024000-01025999	I-U-10	60 mm	110 mm	JCB-991-00110	118.11
		01442000-01443999	I-U-10	60 mm	110 mm	JCB-991-00110	118.11
KERB GRAB		01024000-01025999	I-U-10	25 mm	50 mm	JCB-991-00097	60.88
		01442000-01443999	I-U-10	25 mm	50 mm	JCB-991-00097	60.88
SWING		01024000-01025999	I-U-10	50 mm	90 mm	JCB-991-10122	112.46
		01442000-01443999	I-U-10	50 mm	90 mm	JCB-991-10122	112.46
Excavators - Tracked							
APPLICATION	CYL #	SERIAL #	CODE	ROD	BORE	KIT #	List \$
MODEL JS130							
BOOM		00758001-00759999	P-UB-10	75 mm	100 mm	JCB-690-00693	396.30
		00758001-00759999	P-UB-10	75 mm	100 mm	JCB-LQU0114	453.32
		00890001-00890999	P-UB-10	75 mm	100 mm	JCB-LQU0114	453.32
		00890001-00890999	P-UB-10	75 mm	100 mm	JCB-690-00693	396.30
	33117713	01058001-01058049	P-UB-10	75 mm	100 mm	JCB-LQU0114	453.32
	90320240	01058001-01058049	P-UB-10	75 mm	100 mm	JCB-690-00693	396.30
	90320242	01058001-01058049	P-UB-10	75 mm	100 mm	JCB-690-00693	396.30
	LNU0155	00699002-00700999	P-UB-10	70 mm	110 mm	JCB-LQU0080	558.40
BUCKET	LQU116	01058001-01058049	P-UB-10	75 mm	100 mm	JCB-LQU0114	453.32
		00758001-00759999	P-UB-10	70 mm	95 mm	JCB-LQU0126	347.65
		00758001-00759999	P-UB-10	70 mm	95 mm	JCB-991-10129	144.96
		00890001-00890999	P-UB-10	70 mm	95 mm	JCB-991-10129	144.96
		00890001-00890999	P-UB-10	70 mm	95 mm	JCB-LQU0126	347.65
	33117714	01058001-01058049	P-UB-10	70 mm	95 mm	JCB-LQU0126	347.65
	90320252	01058001-01058049	P-UB-10	70 mm	95 mm	JCB-991-10129	144.96
	LNU01457	00699002-00700999	P-UB-10	65 mm	105 mm	JCB-LQU0082	262.07
DIPPER	LQU0118	01058001-01058049	P-UB-10	70 mm	95 mm	JCB-LQU0126	347.65
		00758001-00759443	P-UB-10	80 mm	115 mm	JCB-LQU0125	419.97
		00759444-00759999	P-UB-10	80 mm	115 mm	JCB-991-10139	574.83
		00890001-00890999	P-UB-10	80 mm	115 mm	JCB-LQU0125	419.97
		00890001-00890999	P-UB-10	80 mm	115 mm	JCB-991-10139	574.83
	99810686	01058001-01058049	P-UB-10	80 mm	115 mm	JCB-991-10139	574.83
	LNU0156	00699002-00700999	P-UB-10	80 mm	115 mm	JCB-LQU0081	493.97
	LQU0117	01058001-01058049	P-UB-10	80 mm	115 mm	JCB-LQU0125	419.97
DOZER		00758001-00759999	I-U-10	65 mm	120 mm	JCB-991-00115	59.21
	56370081RH	00890001-00890999	I-U-10	65 mm	120 mm	JCB-991-00115	59.21
	56370082LH	01058001-01058049	I-U-10	65 mm	120 mm	JCB-991-00115	59.21
MODEL JS160LC							
BOOM	99810693	00702971-00703849	P-UB-10	80 mm	115 mm	JCB-998-10040	456.62
	WHBCVLNU0390		P-UB-10	80 mm	115 mm	JCB-998-10040	456.62
	WOHBCV33117731	00702001-00702970	P-UB-10	80 mm	115 mm	JCB-LQU-0164	296.33
BUCKET	33117711	00702001-007002970	P-UB-10	75 mm	105 mm	JCB-LQU0166	301.60
	90320556	00702971-00703849	P-UB-10	75 mm	105 mm	JCB-903-20435	197.38
	LNU0395	00702001-007002970	P-UB-10	75 mm	105 mm	JCB-LQU0166	301.60
DIPPER	33117712	00702001-00702970	P-UB-10	90 mm	125 mm	JCB-LQU0165	335.48
	90320372	00702971-00703849	P-UB-10	85 mm	120 mm	JCB-903-20265	421.96
	LNU0392	00702001-00702970	P-UB-10	90 mm	125 mm	JCB-LQU0165	335.48
MODEL JS200							
BOOM		01610000-01612499; 01613000-01613999	P-UB-14	85 mm	125 mm	JCB-332-G9282	213.05
	90320735	01018001-01020001	P-UB-10	85 mm	125 mm	JCB-331-39036	146.85
	90320735	01202500-01204022	P-UB-10	85 mm	125 mm	JCB-331-39036	146.85
	90320735	01503300-01504499	P-UB-10	85 mm	125 mm	JCB-331-39036	146.85
	90320735	01610000-01612499	P-UB-10	85 mm	125 mm	JCB-331-39036	146.85

Replacement Kits For

JCB

Excavators - Tracked								
APPLICATION	CYL #	SERIAL #	CODE	ROD	BORE	KIT #	List \$	
MODEL JS200								
BOOM	90320735	01613000-01613999	P-UB-10	85 mm	125 mm	JCB-331-39036	146.85	
	90320735	01701500-01702499	P-UB-10	85 mm	125 mm	JCB-331-39036	146.85	
	99810079	00705001-00705543	P-UB-10	85 mm	125 mm	JCB-998-10020	197.90	
	99810079	00705544-00707999	P-UB-10	85 mm	125 mm	JCB-998-10020	197.90	
	LQU0152	00705001-00705543	P-UB-10	85 mm	125 mm	JCB-998-10020	197.90	
	LQU0152	00705544-00707999	P-UB-10	85 mm	125 mm	JCB-998-10020	197.90	
BUCKET	33117714	00705001-00707999	P-UB-10	70 mm	95 mm	JCB-LQU0126	347.65	
	33139043	01018001-01020001	P-UB-10	85 mm	115 mm	JCB-331-39041	165.03	
	33139043	01202500-01204022	P-UB-10	85 mm	115 mm	JCB-331-39041	165.03	
	33139043	01503300-01504499	P-UB-10	85 mm	115 mm	JCB-331-39041	165.03	
	33139043	01610000-01612499	P-UB-10	85 mm	115 mm	JCB-331-39041	165.03	
	33139043	01613000-01613999	P-UB-10	85 mm	115 mm	JCB-331-39041	165.03	
	33139043	01701500-01702499	P-UB-10	85 mm	115 mm	JCB-331-39041	165.03	
	332J8010	01610000-01612499; 01613000-01613999	P-UB-14	85 mm	115 mm	JCB-332-G9281	157.36	
	69000778	00705410-00707999	P-UB-10	80 mm	120 mm	JCB-690-00801	186.12	
	90320252	00705001-00707999	P-UB-10	70 mm	95 mm	JCB-991-10129	144.96	
	LQU0118	00705001-00707999	P-UB-10	70 mm	95 mm	JCB-LQU0126	347.65	
	LQU0156	00705001-00705409	P-UB-10	80 mm	120 mm	JCB-LQU-0142	144.41	
	CAB RAISE	5570109	01018001-01020001	I-U-10	60 mm	90 mm	JCB-991-00147	120.42
		5570109	01203500-01204022	I-U-10	60 mm	90 mm	JCB-991-00147	120.42
5570109		01503300-01504499	I-U-10	60 mm	90 mm	JCB-991-00147	120.42	
5570109		01701500-01702499	I-U-10	60 mm	90 mm	JCB-991-00147	120.42	
DIPPER	33139046	01018001-01020001	P-UB-10	95 mm	130 mm	JCB-331-39047	244.32	
	33139046	01202500-01204022	P-UB-10	95 mm	130 mm	JCB-331-39047	244.32	
	33139046	01503300-01504499	P-UB-10	95 mm	130 mm	JCB-331-39047	244.32	
	33139046	01610000-01612499	P-UB-10	95 mm	130 mm	JCB-331-39047	244.32	
	33139046	01613000-01613999	P-UB-10	95 mm	130 mm	JCB-331-39047	244.32	
	33139046	01701500-01702499	P-UB-10	95 mm	130 mm	JCB-331-39047	244.32	
	332J8011	01610000-01612499; 01613000-01613999	P-UB-14	95 mm	130 mm	JCB-332-C7368	222.31	
	69000726	00705410-00707999	P-UB-10	100 mm	135 mm	JCB-690-00754	247.48	
	JBV0509	00705001-00707999	P-UB-10	105 mm	150 mm	JCB-998-10022	360.25	
	LQU0154	00705001-00705409	P-UB-10	100 mm	135 mm	JCB-LQU-0138	207.50	
MODEL JS200LC								
BOOM	LNU0158	00704002-00705000	P-UB-10	85 mm	125 mm	JCB-LQU0036	619.00	
	LNU0158	00704002-00705000	P-UB-10	85 mm	125 mm	JCB-LQU0089	619.00	
	LNU0158	00704075-00705000	P-UB-10	85 mm	125 mm	JCB-LQU0089	619.00	
BUCKET	LNU0157	00704002-00705000	P-UB-10	65 mm	105 mm	JCB-LQU0082	262.07	
	LNU0211	00704002-00705000	P-UB-10	80 mm	120 mm	JCB-LQU0046	571.64	
	LNU0211	00704002-00705000	P-UB-10	80 mm	120 mm	JCB-LQU0092	571.64	
DIPPER	LNU0160	00704002-00705000	P-UB-10	95 mm	140 mm	JCB-LQU0038	390.34	
	LNU0160	00704002-00705000	P-UB-10	95 mm	140 mm	JCB-LQU0091	390.34	
MODEL JS210								
BOOM		00705001-00705543	P-UB-10	85 mm	125 mm	JCB-998-10020	197.90	
	90320735	01018001-01020001; 01202500-01204022; 01503300-01504499; 01701500-01702499; 01610000-01612499; 01613000-01613999	P-UB-10	85 mm	125 mm	JCB-331-39036	146.85	
	LQU0152	00705544-00707999	P-UB-10	85 mm	125 mm	JCB-998-10020	197.90	

JCB

Excavators - Tracked							
APPLICATION	CYL #	SERIAL #	CODE	ROD	BORE	KIT #	List \$
MODEL JS210							
BUCKET	33139043	01018001-01020001; 01202500-01204022; 01503300-01504499; 01701500-01702499; 01610000-01612499; 01613000-01613999	P-UB-10	85 mm	115 mm	JCB-331-39041	165.03
BUCKET, LONG REACH		00705001-00707999	P-UB-10	70 mm	95 mm	JCB-991-10129	144.96
CAB RAISE	55770109	01018001-01020001; 01202500-01204022; 01503300-01504499; 01701500-01702499; 01610000-01612499; 01613000-01613999	I-U-10	60 mm	90 mm	JCB-991-00147	120.42
DIPPER	33139046	01018001-01020001; 01202500-01204022; 01503300-01504499; 01701500-01702499; 01610000-01612499; 01613000-01613999	P-UB-10	95 mm	130 mm	JCB-331-39047	244.32
	6900726	00705001-00705409	P-UB-10	100 mm	135 mm	JCB-690-00754	247.48
	LQU0154		P-UB-10	100 mm	135 mm	JCB-LQU-0138	207.50
DIPPER, LONG REACH		00705001-00707999	P-UB-10	105 mm	150 mm	JCB-998-10022	360.25
MODEL JS220							
BOOM	33117533	00705001-00706727	P-UB-10	95 mm	140 mm	JCB-LQU-0172	246.41
	33149239	010180001-0120001	P-UB-14	95 mm	140 mm	JCB-903-21071	328.67
	33149239	01053300-01504499	P-UB-14	95 mm	140 mm	JCB-903-21071	328.67
	33149239	01202500-01204022	P-UB-14	95 mm	140 mm	JCB-903-21071	328.67
	33149239	01701500-01702499	P-UB-14	95 mm	140 mm	JCB-903-21071	328.67
	90320234	00705728-00707999	P-UB-10	95 mm	140 mm	JCB-903-20233	385.87
	90320234	010180001-0120001	P-UB-10	95 mm	140 mm	JCB-903-20233	385.87
	90320234	01053300-01504499	P-UB-10	95 mm	140 mm	JCB-903-20233	385.87
	90320234	01202500-01204022	P-UB-10	95 mm	140 mm	JCB-903-20233	385.87
	90320234	01701500-01702499	P-UB-10	95 mm	140 mm	JCB-903-20233	385.87
	90320735	01018001-01020001	P-UB-10	85 mm	125 mm	JCB-331-39036	146.85
	90320735	01202500-01204022	P-UB-10	85 mm	125 mm	JCB-331-39036	146.85
	90320735	01503300-01504499	P-UB-10	85 mm	125 mm	JCB-331-39036	146.85
	90320735	01610000-01612499	P-UB-10	85 mm	125 mm	JCB-331-39036	146.85
	90320735	01613000-01613999	P-UB-10	85 mm	125 mm	JCB-331-39036	146.85
	90320735	01701500-01702499	P-UB-10	85 mm	125 mm	JCB-331-39036	146.85
	99810079	00705001-00705543	P-UB-10	85 mm	125 mm	JCB-998-10020	197.90
	99810079	00705544-00707999	P-UB-10	85 mm	125 mm	JCB-998-10020	197.90
	LNU0432	00705001-00706727	P-UB-10	95 mm	140 mm	JCB-LQU-0172	246.41
	LQU0152	00705001-00705543	P-UB-10	85 mm	125 mm	JCB-998-10020	197.90
	LQU0152	00705544-00707999	P-UB-10	85 mm	125 mm	JCB-998-10020	197.90
BUCKET		00705410-00707999	P-UB-10	80 mm	120 mm	JCB-690-00801	186.12
	33117714		P-UB-10	70 mm	95 mm	JCB-LQU0126	347.65
	33139043	01018001-01200001	P-UB-10	85 mm	115 mm	JCB-331-39041	165.03
	33139043	01202500-01204022	P-UB-10	85 mm	115 mm	JCB-331-39041	165.03
	33139043	01503300-01504499	P-UB-10	85 mm	115 mm	JCB-331-39041	165.03
	33139043	01610000-01612499	P-UB-10	85 mm	115 mm	JCB-331-39041	165.03
	33139043	01613000-01613999	P-UB-10	85 mm	115 mm	JCB-331-39041	165.03
	33139043	01701500-01702499	P-UB-10	85 mm	115 mm	JCB-331-39041	165.03
	69000778	00705001-00715409	P-UB-10	80 mm	120 mm	JCB-LQU-0142	144.41
	90320252		P-UB-10	70 mm	95 mm	JCB-991-10129	144.96
	99810076	00705001-00707999	P-UB-10	90 mm	135 mm	JCB-998-10023	230.64
	LQU0118		P-UB-10	70 mm	95 mm	JCB-LQU0126	347.65
	LQU0150	00705001-00707999	P-UB-10	90 mm	135 mm	JCB-998-10023	230.64
	LQU0156	00705001-00715409	P-UB-10	80 mm	120 mm	JCB-LQU-0142	144.41

Replacement Kits For

JCB

Excavators - Tracked							
APPLICATION	CYL #	SERIAL #	CODE	ROD	BORE	KIT #	List \$
MODEL JS220							
CAB RAISE	55770109	01018001-01200001	I-U-10	60 mm	90 mm	JCB-991-00147	120.42
	55770109	01202500-01204022	I-U-10	60 mm	90 mm	JCB-991-00147	120.42
	55770109	01503300-01504499	I-U-10	60 mm	90 mm	JCB-991-00147	120.42
	55770109	01610000-01612499	I-U-10	60 mm	90 mm	JCB-991-00147	120.42
	55770109	01613000-01613999	I-U-10	60 mm	90 mm	JCB-991-00147	120.42
	55770109	01701500-01702499	I-U-10	60 mm	90 mm	JCB-991-00147	120.42
DIPPER	33139046	01018001-01200001	P-UB-10	95 mm	130 mm	JCB-331-39047	244.32
	33139046	01202500-01204022	P-UB-10	95 mm	130 mm	JCB-331-39047	244.32
	33139046	01503300-01504499	P-UB-10	95 mm	130 mm	JCB-331-39047	244.32
	33139046	01610000-01612499	P-UB-10	95 mm	130 mm	JCB-331-39047	244.32
	33139046	01613000-01613999	P-UB-10	95 mm	130 mm	JCB-331-39047	244.32
	33139046	01701500-01702499	P-UB-10	95 mm	130 mm	JCB-331-39047	244.32
	69000726	00705410-00707999	P-UB-10	100 mm	135 mm	JCB-LQU-0138	207.50
	JBV0509	00705001-00707999	P-UB-10	100 mm	135 mm	JCB-LQU-0138	207.50
	LQU0154	00705001-00705409	P-UB-10	100 mm	135 mm	JCB-LQU-0138	207.50
MODEL JS240							
BOOM	33142816	01040003-01041999; 01504700-01505099	P-UB-14	90 mm	130 mm	JCB-903-21037	217.05
	99810078	00708501-00709199; 01040003-01041999	P-UB-10	90 mm	130 mm	JCB-998-10021	195.07
	LNU0196	01040003-01041999	P-UB-10	110 mm	160 mm	JCB-LQU0049	208.01
	LQU0146	00708501-00708625; 00708626-00709199	P-UB-10	90 mm	130 mm	JCB-998-10021	195.07
BUCKET	33138789	01040003-01041999	P-UB-10	95 mm	130 mm	JCB-331-38788	257.96
	33142817	01040003-01041999; 01504700-01505099	P-UB-14	95 mm	130 mm	JCB-903-21049	150.71
	99810076	00708501-00709199	P-UB-10	90 mm	135 mm	JCB-998-10023	230.64
DIPPER	33111847	01504700-01505099	P-UB-14	100 mm	140 mm	JCB-903-21165	272.12
	33138784	01040003-01041999	P-UB-10	100 mm	140 mm	JCB-991-10127	273.81
	33142815	01040003-01041999	P-UB-14	100 mm	140 mm	JCB-903-21165	272.12
	LQU0148	00708501-00709199	P-UB-10	105 mm	150 mm	JCB-998-10022	360.25
MODEL JS260							
BOOM		00708501-00709199	P-UB-10	90 mm	130 mm	JCB-998-10021	195.07
		01040003-01041999	P-UB-14	90 mm	130 mm	JCB-903-21037	217.05
		01040003-01041999	P-UB-10	90 mm	130 mm	JCB-998-10021	195.07
		01504700-01505099	P-UB-14	90 mm	130 mm	JCB-903-21037	217.05
	33142816	01504700-01505099	P-UB-14	90 mm	130 mm	JCB-903-21037	217.05
	99810078	00708501-00708625	P-UB-10	90 mm	130 mm	JCB-998-10021	195.07
	JBV0508	00708626-00709199	P-UB-10	90 mm	130 mm	JCB-998-10021	195.07
	LNU0196	00708501-00709199	P-UB-10	110 mm	160 mm	JCB-LQU0049	208.01
	LQU0146	00708501-00708625	P-UB-10	90 mm	130 mm	JCB-998-10021	195.07
BOOM POSITION, TAB		00708501-00709199	P-UB-10	110 mm	160 mm	JCB-LQU0049	208.01
		01040003-01041999	P-UB-10	110 mm	160 mm	JCB-LQU0049	208.01
BUCKET		00708501-00709199	P-UB-10	90 mm	135 mm	JCB-998-10023	230.64
		01040003-01041999	P-UB-14	95 mm	130 mm	JCB-903-21049	150.71
		01040003-01041999	P-UB-10	95 mm	130 mm	JCB-331-38788	257.96
		01054700-01505099	P-UB-14	95 mm	130 mm	JCB-903-21049	150.71
	33142817	01504700-01505099	P-UB-14	95 mm	130 mm	JCB-903-21049	150.71
	99810076	00708501-00708625	P-UB-10	90 mm	135 mm	JCB-998-10023	230.64
	JBV0510	00708626-00709199	P-UB-10	90 mm	135 mm	JCB-998-10023	230.64
	LQU0150	00708501-00708625	P-UB-10	90 mm	135 mm	JCB-998-10023	230.64
BUCKET, LONG REACH		01040003-01041999	P-UB-10	70 mm	95 mm	JCB-903-20839	372.74
DIPPER		00708501-00709199	P-UB-10	105 mm	150 mm	JCB-998-10022	360.25
		01040003-01041999	P-UB-14	100 mm	140 mm	JCB-903-21165	272.12
		01040003-01041999	P-UB-10	100 mm	140 mm	JCB-991-10127	273.81
		01504700-01505099	P-UB-14	100 mm	140 mm	JCB-903-21165	272.12

JCB

Excavators - Tracked							
APPLICATION	CYL #	SERIAL #	CODE	ROD	BORE	KIT #	List \$
MODEL JS260							
DIPPER	33142815	01504700-01505099	P-UB-14	100 mm	140 mm	JCB-903-21165	272.12
	JBV0313	00708626-00709199	P-UB-10	105 mm	150 mm	JCB-998-10022	360.25
	LQU0148	00708501-00708625	P-UB-10	105 mm	150 mm	JCB-998-10022	360.25
MODEL JS260 AUTO							
BOOM		00708501-00709199	P-UB-10	90 mm	130 mm	JCB-998-10021	195.07
		01040003-01041999	P-UB-10	90 mm	130 mm	JCB-998-10021	195.07
		01040003-01041999	P-UB-14	90 mm	130 mm	JCB-903-21037	217.05
		01504700-01505099	P-UB-14	90 mm	130 mm	JCB-903-21037	217.05
BOOM POSITION, TAB		00708501-00709199	P-UB-10	110 mm	160 mm	JCB-LQU0049	208.01
		01040003-01041999	P-UB-10	110 mm	160 mm	JCB-LQU0049	208.01
BUCKET		00708501-00709199	P-UB-10	90 mm	135 mm	JCB-998-10023	230.64
		01040003-01041999	P-UB-10	95 mm	130 mm	JCB-331-38788	257.96
		01040003-01041999	P-UB-14	95 mm	130 mm	JCB-903-21049	150.71
		01054700-01505099	P-UB-14	95 mm	130 mm	JCB-903-21049	150.71
BUCKET, LONG REACH		01040003-01041999	P-UB-10	70 mm	95 mm	JCB-903-20839	372.74
DIPPER		00708501-00709199	P-UB-10	105 mm	150 mm	JCB-998-10022	360.25
		01040003-01041999	P-UB-14	100 mm	140 mm	JCB-903-21165	272.12
		01040003-01041999	P-UB-10	100 mm	140 mm	JCB-991-10127	273.81
		01504700-01505099	P-UB-14	100 mm	140 mm	JCB-903-21165	272.12
MODEL JS260 XD AUTO							
BOOM		00708501-00709199	P-UB-10	90 mm	130 mm	JCB-998-10021	195.07
		01040003-01041999	P-UB-14	90 mm	130 mm	JCB-903-21037	217.05
		01040003-01041999	P-UB-10	90 mm	130 mm	JCB-998-10021	195.07
		01504700-01505099	P-UB-14	90 mm	130 mm	JCB-903-21037	217.05
BOOM POSITION, TAB		00708501-00709199	P-UB-10	110 mm	160 mm	JCB-LQU0049	208.01
		01040003-01041999	P-UB-10	110 mm	160 mm	JCB-LQU0049	208.01
BUCKET		00708501-00709199	P-UB-10	90 mm	135 mm	JCB-998-10023	230.64
		01040003-01041999	P-UB-14	95 mm	130 mm	JCB-903-21049	150.71
		01040003-01041999	P-UB-10	95 mm	130 mm	JCB-331-38788	257.96
		01054700-01505099	P-UB-14	95 mm	130 mm	JCB-903-21049	150.71
BUCKET, LONG REACH		01040003-01041999	P-UB-10	70 mm	95 mm	JCB-903-20839	372.74
DIPPER		00708501-00709199	P-UB-10	105 mm	150 mm	JCB-998-10022	360.25
		01040003-01041999	P-UB-10	100 mm	140 mm	JCB-991-10127	273.81
		01040003-01041999	P-UB-14	100 mm	140 mm	JCB-903-21165	272.12
		01504700-01505099	P-UB-14	100 mm	140 mm	JCB-903-21165	272.12
MODEL JS330							
BOOM		00712501-00712778	P-UB-10	100 mm	140 mm	JCB-LQU-0072	283.76
		00712779-00713999	P-UB-10	100 mm	140 mm	JCB-991-10127	273.81
		00712952-00713999	P-UB-10	100 mm	140 mm	JCB-903-21024	205.48
	33117531	00712501-00712778	P-UB-10	100 mm	140 mm	JCB-LQU-0072	283.76
	33121129	00712952-00713999	P-UB-10	100 mm	140 mm	JCB-991-10127	273.81
	33142426	00712952-00713999	P-UB-10	100 mm	140 mm	JCB-903-21024	205.48
	90320207	00712779-00712951	P-UB-10	100 mm	140 mm	JCB-991-10127	273.81
	90320207	00712952-00713999	P-UB-10	100 mm	140 mm	JCB-991-10127	273.81
	LNU0210	00712501-00712778	P-UB-10	100 mm	140 mm	JCB-LQU-0072	283.76
	BUCKET		00712501-00712770	P-UB-10	95 mm	140 mm	JCB-LQU-0172
		00712771-00713999	P-UB-10	95 mm	140 mm	JCB-903-20233	385.87
		00712952-00713999	P-UB-14	95 mm	140 mm	JCB-903-21071	328.67
33117533		00712501-00712770	P-UB-10	95 mm	140 mm	JCB-LQU-0172	246.41
33121172		00712771-00712951	P-UB-10	95 mm	140 mm	JCB-903-20233	385.87
33121172		00712952-00713999	P-UB-10	95 mm	140 mm	JCB-903-20233	385.87
33142429		00712952-00713999	P-UB-14	95 mm	140 mm	JCB-903-21071	328.67
90320234		00712771-00712951	P-UB-10	95 mm	140 mm	JCB-903-20233	385.87
90320234		00712952-00713999	P-UB-10	95 mm	140 mm	JCB-903-20233	385.87
90320556		00712952-00713999	P-UB-10	75 mm	105 mm	JCB-903-20435	197.38

Excavators - Tracked							
APPLICATION	CYL #	SERIAL #	CODE	ROD	BORE	KIT #	List \$
MODEL JS330							
BUCKET	LNU0432	00712501-00712770	P-UB-10	95 mm	140 mm	JCB-LQU-0172	246.41
DIPPER		00712501-00712779	P-UB-10	110 mm	160 mm	JCB-LQU-0074	434.57
		00712780-00713999	P-UB-10	110 mm	160 mm	JCB-903-20222	484.90
		00712952-00713999	P-UB-14	110 mm	160 mm	JCB-903-21061	289.95
	33114248	00712952-00713999	P-UB-14	110 mm	160 mm	JCB-903-21061	289.95
	33117532	00712501-00712779	P-UB-10	110 mm	160 mm	JCB-LQU-0074	434.57
	33121168	00712780-00712951	P-UB-10	110 mm	160 mm	JCB-903-20222	484.90
	33121168	00712952-00713999	P-UB-10	110 mm	160 mm	JCB-903-20222	484.90
	90320028	00712501-00712779	P-UB-10	110 mm	160 mm	JCB-LQU-0074	434.57
	90320223	00712780-00712951	P-UB-10	110 mm	160 mm	JCB-903-20222	484.90
	90320223	00712952-00713999	P-UB-10	110 mm	160 mm	JCB-903-20222	484.90
MODEL JS330 Auto							
BOOM		01224215-01224999	P-UB-14	95 mm	140 mm	JCB-903-21071	328.67
		01240500-01240999	P-UB-14	95 mm	140 mm	JCB-903-21071	328.67
BOOM, LONG REACH		01224215-01224999	P-UB-10	75 mm	105 mm	JCB-903-20435	197.38
		01240500-01240999	P-UB-10	75 mm	105 mm	JCB-903-20435	197.38
BUCKET		01224215-01224999	P-UB-10	100 mm	140 mm	JCB-903-21024	205.48
		01240500-01240999	P-UB-10	100 mm	140 mm	JCB-903-21024	205.48
DIPPER		01224215-01224999	P-UB-14	110 mm	160 mm	JCB-903-21061	289.95
		01240500-01240999	P-UB-14	110 mm	160 mm	JCB-903-21061	289.95
MODEL JS330XD							
BOOM		00712501-00712778	P-UB-10	100 mm	140 mm	JCB-LQU-0072	283.76
		00712779-00713999	P-UB-10	100 mm	140 mm	JCB-991-10127	273.81
		00712952-00713999	P-UB-10	100 mm	140 mm	JCB-903-21024	205.48
BUCKET		00712501-00712770	P-UB-10	95 mm	140 mm	JCB-LQU-0172	246.41
		00712771-00713999	P-UB-10	95 mm	140 mm	JCB-903-20233	385.87
		00712952-00713999	P-UB-14	95 mm	140 mm	JCB-903-21071	328.67
DIPPER		00712501-00712779	P-UB-10	110 mm	160 mm	JCB-LQU-0074	434.57
		00712780-00713999	P-UB-10	110 mm	160 mm	JCB-903-20222	484.90
		00712952-00713999	P-UB-14	110 mm	160 mm	JCB-903-21061	289.95
MODEL JS330XD Auto							
BOOM		01224215-01224999	P-UB-14	95 mm	140 mm	JCB-903-21071	328.67
		01240500-01240999	P-UB-14	95 mm	140 mm	JCB-903-21071	328.67
BOOM, LONG REACH		01224215-01224999	P-UB-10	75 mm	105 mm	JCB-903-20435	197.38
		01240500-01240999	P-UB-10	75 mm	105 mm	JCB-903-20435	197.38
BUCKET		01224215-01224999	P-UB-10	100 mm	140 mm	JCB-903-21024	205.48
		01240500-01240999	P-UB-10	100 mm	140 mm	JCB-903-21024	205.48
DIPPER		01224215-01224999	P-UB-14	110 mm	160 mm	JCB-903-21061	289.95
		01240500-01240999	P-UB-14	110 mm	160 mm	JCB-903-21061	289.95
MODEL JZ140							
BOOM	33144449	01137000-01137574	P-UB-10	75 mm	100 mm	JCB-903-20862	630.72
	33144455	01137583-01137999	P-UB-10	75 mm	100 mm	JCB-903-20862	630.72
	90320863		P-UB-10	75 mm	100 mm	JCB-903-20862	630.72
BUCKET		01137000-01137574	P-UB-10	70 mm	95 mm	JCB-903-20839	372.74
	90320840	01137583-01137999	P-UB-10	70 mm	95 mm	JCB-903-20839	372.74
DIPPER		01137000-01137574	P-UB-10	80 mm	115 mm	JCB-903-20856	480.96
	90320857	01137583-01137999	P-UB-10	80 mm	115 mm	JCB-903-20856	480.96
DOZER		01137000-01137154	I-U-10	65 mm	120 mm	JCB-991-00115	59.21
		01137155-01137574	I-U-10	65 mm	120 mm	JCB-991-00115	59.21
	56360081	01137583-01137999	I-U-10	65 mm	120 mm	JCB-991-00115	59.21
	56360082	01137583-01137999	I-U-10	65 mm	120 mm	JCB-991-00115	59.21
	56360106	01137583-01137999	I-U-10	65 mm	120 mm	JCB-991-00115	59.21
	56360107	01137583-01137999	I-U-10	65 mm	120 mm	JCB-991-00115	59.21
DOZER LH		01137575-01137582	I-U-10	65 mm	120 mm	JCB-991-00115	59.21
	56370106	01390000-01390499	I-U-10	65 mm	120 mm	JCB-991-00115	59.21

Excavators - Tracked							
APPLICATION	CYL #	SERIAL #	CODE	ROD	BORE	KIT #	List \$
MODEL JZ140							
DOZER RH		01137575-01137582	I-U-10	65 mm	120 mm	JCB-991-00115	59.21
DOZER, RIGHT	56370107	01390000-01390499	I-U-10	65 mm	120 mm	JCB-991-00115	59.21
RAM POSITION		01137155-01137574	I-U-10	65 mm	120 mm	JCB-991-00115	59.21
	69000958	01137583-01137999	P-UB-10	75 mm	140 mm	JCB-690-00972	318.14
Loaders - Wheel							
APPLICATION	CYL #	SERIAL #	CODE	ROD	BORE	KIT #	List \$
MODEL 416							
Lift		00529000-00529499; 00530100-00530349; 00530350-00530599; 00530600-00530999; 01243000-01243499; 01317500-01317999; 005299500-00530099; 00529500-00530099; 00543000-00543099; 00543100-00543249; 00543250-00543999; 01243500-01243999	I-U-10	60 mm	100 mm	JCB-991-00145	93.27
Quick Hitch		00529000-00529499; 00530100-00530349; 00530350-00530599; 00530600-00530999; 01243000-01243499; 01317500-01317999; 005299500-00530099; 00529500-00530099; 00543000-00543099; 00543000-00543099; 00543100-00543249; 00543250-00543999; 01243500-01243999	I-U-10	25 mm	50 mm	JCB-991-00097	60.88
Steering		00529000-00529499; 00530100-00530349; 00530350-00530599; 00530600-00530999; 01243000-01243499; 01317500-01317999; 005299500-00530099; 00529500-00530099; 00543100-00543249; 00543250-00543999; 01243500-01243999	I-U-10	40 mm	70 mm	JCB-991-10152	101.41
Tilt		00529000-00529499	I-U-10	50 mm	90 mm	JCB-991-00103	70.36
Tow Hitch		00543000-00543099; 00543100-00543249; 00543250-00543999; 01243500-01243999	I-U-15	30 mm	60 mm	JCB-262-83024	31.64
MODEL 416B							
Lift		00529000-00529499; 00530100-00530349; 00530350-00530599; 00530600-00530999; 01243000-01243499; 01317500-01317999; 005299500-00530099; 00529500-00530099; 00543000-00543099; 00543100-00543249; 00543250-00543999; 01243500-01243999	I-U-10	60 mm	100 mm	JCB-991-00145	93.27

Loaders - Wheel							
APPLICATION	CYL #	SERIAL #	CODE	ROD	BORE	KIT #	List \$
MODEL 416B							
Quick Hitch		00529000-00529499; 00530100-00530349; 00530350-00530599; 00530600-00530999; 01243000-01243499; 01317500-01317999; 005299500-00530099; 00529500-00530099; 00543000-00543099; 00543000-00543099; 00543100-00543249; 00543250-00543999; 01243500-01243999	I-U-10	25 mm	50 mm	JCB-991-00097	60.88
Steering		00529000-00529499; 00530100-00530349; 00530350-00530599; 00530600-00530999; 01243000-01243499; 01317500-01317999; 005299500-00530099; 00529500-00530099; 00543100-00543249; 00543250-00543999; 01243500-01243999	I-U-10	40 mm	70 mm	JCB-991-10152	101.41
Tilt		00529000-00529499	I-U-10	50 mm	90 mm	JCB-991-00103	70.36
Tow Hitch		00543000-00543099; 00543100-00543249; 00543250-00543999; 01243500-01243999	I-U-15	30 mm	60 mm	JCB-262-83024	31.64
MODEL 416B LE							
Lift		00529000-00529499; 00530100-00530349; 00530350-00530599; 00530600-00530999; 01243000-01243499; 01317500-01317999; 005299500-00530099; 00529500-00530099; 00543000-00543099; 00543100-00543249; 00543250-00543999; 01243500-01243999	I-U-10	60 mm	100 mm	JCB-991-00145	93.27
Quick Hitch		00529000-00529499; 00530100-00530349; 00530350-00530599; 00530600-00530999; 01243000-01243499; 01317500-01317999; 005299500-00530099; 00529500-00530099; 00543000-00543099; 00543000-00543099; 00543100-00543249; 00543250-00543999; 01243500-01243999	I-U-10	25 mm	50 mm	JCB-991-00097	60.88
Steering		00529000-00529499; 00530100-00530349; 00530350-00530599; 00530600-00530999; 01243000-01243499; 01317500-01317999; 005299500-00530099; 00529500-00530099; 00543100-00543249; 00543250-00543999; 01243500-01243999	I-U-10	40 mm	70 mm	JCB-991-10152	101.41

Loaders - Wheel							
APPLICATION	CYL #	SERIAL #	CODE	ROD	BORE	KIT #	List \$
MODEL 416B LE							
Tilt		00529000-00529499	I-U-10	50 mm	90 mm	JCB-991-00103	70.36
Tow Hitch		00543000-00543099; 00543100-00543249; 00543250-00543999; 01243500-01243999	I-U-15	30 mm	60 mm	JCB-262-83024	31.64
MODEL 416S							
Lift		00529000-00529499; 00530100-00530349; 00530350-00530599; 00530600-00530999; 01243000-01243499; 01317500-01317999; 005299500-00530099; 00529500-00530099; 00543000-00543099; 00543100-00543249; 00543250-00543999; 01243500-01243999	I-U-10	60 mm	100 mm	JCB-991-00145	93.27
Quick Hitch		00529000-00529499; 00530100-00530349; 00530350-00530599; 00530600-00530999; 01243000-01243499; 01317500-01317999; 005299500-00530099; 00529500-00530099; 00543000-00543099; 00543000-00543099; 00543100-00543249; 00543250-00543999; 01243500-01243999	I-U-10	25 mm	50 mm	JCB-991-00097	60.88
Steering		00529000-00529499; 00530100-00530349; 00530350-00530599; 00530600-00530999; 01243000-01243499; 01317500-01317999; 005299500-00530099; 00529500-00530099; 00543100-00543249; 00543250-00543999; 01243500-01243999	I-U-10	40 mm	70 mm	JCB-991-10152	101.41
Tilt		00529000-00529499	I-U-10	50 mm	90 mm	JCB-991-00103	70.36
Tow Hitch		00543000-00543099; 00543100-00543249; 00543250-00543999; 01243500-01243999	I-U-15	30 mm	60 mm	JCB-262-83024	31.64
Telehandlers							
APPLICATION	CYL #	SERIAL #	CODE	ROD	BORE	KIT #	List \$
MODEL 505-19 F.M							
BOX TIPPER, STRIMECH	983-00130	M561011-M579360	I-U-15	50 mm	100 mm	JCB-983-00154	100.46
CARRIAGE - Sideshift	547-42101	M561011-M579360	I-U-4	7/8"	2"	JCB-547-42102	25.93
CLAMSHOVEL	556-44000	M561011-M579360	I-U-15	40 mm	70 mm	JCB-991-00122	67.98
	556-60019	M561011-M579360	I-U-10	40 mm	70 mm	JCB-991-00095	71.08
DISPLACEMENT	561-24200	M569247	I-U-15	50 mm	110 mm	JCB-991-00126	76.28
	561-60006	M561011-M579360	I-U-15	50 mm	110 mm	JCB-991-00126	76.28
	561-60019	M561011-M579360	I-U-10	50 mm	110 mm	JCB-991-00109	98.07
EXTENSION	553-13800	M561011-M579360	I-U-15	50 mm	70 mm	JCB-556-24900K	160.32
EXTENSION - Metric	556-60062	M561011-M579360	I-U-10	50 mm	70 mm	JCB-991-00105	107.49
LIFT	561-23600	M567495	I-U-15	60 mm	110 mm	JCB-991-00131	97.34
	561-42800	M569262	I-U-15	60 mm	110 mm	JCB-991-00131	97.34
	561-60005	M561011-M579360	I-U-15	60 mm	110 mm	JCB-991-00131	97.34
	561-60017	M561011-M579360	I-U-10	60 mm	110 mm	JCB-991-00110	118.11

Replacement Kits For

JCB

Telehandlers							
APPLICATION	CYL #	SERIAL #	CODE	ROD	BORE	KIT #	List \$
MODEL 505-19 F.M							
LIFT - Float	561-60039	M561011-M579360	I-U-10	60 mm	110 mm	JCB-991-00110	118.11
LOG GRAB	545-45300	M561011-M579360	I-U-10	1-1/2"	2-3/8"	JCB-545-45307	57.07
MANURE FORK	980-35601	M561011-M579360	I-U-10	1-1/2"	3"	JCB-980-35603	79.78
STEERING - Front	551-06200	M561011-M579360	I-U-10	25 mm	50 mm	JCB-993-46200K	67.17
STEERING - Front & Rear	551-06400	M561011-M579360	I-U-10	25 mm	50 mm	JCB-991-00071	53.88
	551-08500	M568555	I-U-10	25 mm	50 mm	JCB-991-00054	74.48
	551-10100	M561011-M579360	I-U-10	25 mm	50 mm	JCB-991-00097	60.88
STEERING - Front, JCB Option	993-46200	M561011-M579360	I-U-10	25 mm	50 mm	JCB-993-46200K	67.17
STEERING - Rear	551-06300	M561011-M579360	I-U-10	25 mm	50 mm	JCB-993-46200K	67.17
STEERING - Rear, JCB Option	993-46400	M561011-M579360	I-U-10	25 mm	50 mm	JCB-993-46200K	67.17
TILT	553-02000	M561011-M579360	I-U-14	30 mm	60 mm	JCB-991-00021	58.12
	553-04300	M561011-M579360	I-U-14	30 mm	60 mm	JCB-991-00021	58.12
	561-23900	M561307	I-U-15	50 mm	110 mm	JCB-991-00126	76.28
	561-33500	M569262	I-U-15	50 mm	110 mm	JCB-991-00126	76.28
	561-60009	M561011-M579360	I-U-15	50 mm	110 mm	JCB-991-00126	76.28
	561-60020	M561011-M579360	I-U-10	50 mm	110 mm	JCB-991-00109	98.07
	561-60038	M561011-M579360	I-U-10	50 mm	110 mm	JCB-991-00109	98.07
TILT - Boom Float	561-60038	M561011-M579360	I-U-10	50 mm	110 mm	JCB-991-00109	98.07
TOW HITCH	556-31100	M561011-M579360	I-U-10	30 mm	70 mm	JCB-991-00069	43.85
	556-42200	M568560	I-U-10	30 mm	70 mm	JCB-991-00099	71.15
	556-46700	M561011-M579360	I-U-10	30 mm	70 mm	JCB-991-00099	71.15
MODEL 505-22, 505-22 SWAY							
BOX TIPPER, STRIMECH	983-00130	M561011-M579360	I-U-15	50 mm	100 mm	JCB-983-00154	100.46
CARRIAGE - Sideshift	547-42101	M561011-M579360	I-U-4	7/8"	2"	JCB-547-42102	25.93
	993-34500	M561011-M579360	I-U-4	1"	2-1/2"	JCB-993-34509	27.96
CLAMSHOVEL	556-44000	M561011-M579360	I-U-15	40 mm	70 mm	JCB-991-00122	67.98
	556-60019	M561011-M579360	I-U-10	40 mm	70 mm	JCB-991-00095	71.08
DISPLACEMENT	561-32400	M569237	I-U-15	50 mm	110 mm	JCB-991-00126	76.28
	561-60008	M561011-M579360	I-U-15	50 mm	110 mm	JCB-991-00126	76.28
	561-60025	M561011-M579360	I-U-10	50 mm	110 mm	JCB-991-00109	98.07
EXTENSION	556-32700	M561011-M579360	I-U-15	50 mm	70 mm	JCB-556-24900K	160.32
	556-60050	M561011-M579360	I-U-10	50 mm	70 mm	JCB-991-00105	107.49
LIFT	561-24500	M567495	I-U-15	60 mm	110 mm	JCB-991-00131	97.34
	561-42700	M569149	I-U-15	60 mm	110 mm	JCB-991-00131	97.34
	561-60004	M561011-M579360	I-U-15	60 mm	110 mm	JCB-991-00131	97.34
	561-60015	M561011-M579360	I-U-10	60 mm	110 mm	JCB-991-00110	118.11
LOG GRAB	545-45300	M561011-M579360	I-U-10	1-1/2"	2-3/8"	JCB-545-45307	57.07
MANURE FORK	980-35601	M561011-M579360	I-U-10	1-1/2"	3"	JCB-980-35603	79.78
STEERING - Front	551-06200	M561011-M579360	I-U-10	25 mm	50 mm	JCB-993-46200K	67.17
STEERING - Front & Rear	551-06400	M561011-M579360	I-U-10	25 mm	50 mm	JCB-991-00071	53.88
	551-08500	M568555	I-U-10	25 mm	50 mm	JCB-991-00054	74.48
	551-10100	M561011-M579360	I-U-10	25 mm	50 mm	JCB-991-00097	60.88
STEERING - Front, JCB Option	993-46200	M561011-M579360	I-U-10	25 mm	50 mm	JCB-993-46200K	67.17
STEERING - Rear	551-06300	M561011-M579360	I-U-10	25 mm	50 mm	JCB-993-46200K	67.17
STEERING - Rear, JCB Option	993-46400	M561011-M579360	I-U-10	25 mm	50 mm	JCB-993-46200K	67.17
SWAY	561-24800	M569212	I-U-15	50 mm	110 mm	JCB-991-00126	76.28
	561-60012	M561011-M579360	I-U-15	50 mm	110 mm	JCB-991-00126	76.28
	561-60023	M561011-M579360	I-U-10	50 mm	110 mm	JCB-991-00109	98.07
TILT	553-02000	M561011-M579360	I-U-14	30 mm	60 mm	JCB-991-00021	58.12
	553-04300	M561011-M579360	I-U-14	30 mm	60 mm	JCB-991-00021	58.12
	561-23900	M561307	I-U-15	50 mm	110 mm	JCB-991-00126	76.28
	561-33500	M569262	I-U-15	50 mm	110 mm	JCB-991-00126	76.28
	561-60009	M561011-M579360	I-U-15	50 mm	110 mm	JCB-991-00126	76.28
	561-60020	M561011-M579360	I-U-10	50 mm	110 mm	JCB-991-00109	98.07
TOW HITCH	556-31100	M561011-M579360	I-U-10	30 mm	70 mm	JCB-991-00069	43.85
	556-42200	M568560	I-U-10	30 mm	70 mm	JCB-991-00099	71.15

JCB

Telehandlers							
APPLICATION	CYL #	SERIAL #	CODE	ROD	BORE	KIT #	List \$
MODEL 505-22, 505-22 SWAY							
TOW HITCH	556-46700	M561011-M579360	I-U-10	30 mm	70 mm	JCB-991-00099	71.15
MODEL 506-36							
DISPLACEMENT	563-60136	01403000-01404999; 02083497-02084497; 02144565-02149565; 02173052-02183052	I-U-10	65 mm	120 mm	JCB-991-00115	59.21
EXTENSION LOADER	561-60263	01403000-01404999; 02083497-02084497; 02144565-02149565; 02173052-02183052	I-U-10	70 mm	110 mm	JCB-991-00112	93.76
LIFT	561-60267	01403000-01404999; 02083497-02084497; 02144565-02149565; 02173052-02183052	I-U-10	70 mm	110 mm	JCB-991-00112	93.76
STABILIZER	561-60236	01403000-01404999; 02083497-02084497; 02144565-02149565; 02173052-02183052	I-U-10	50 mm	110 mm	JCB-991-00109	98.07
TILT	563-60123	01403000-01404999; 02083497-02084497; 02144565-02149565; 02173052-02183052	I-U-10	65 mm	120 mm	JCB-991-00115	59.21
MODEL 506B							
DISPLACEMENT	563-60012	M570000	I-U-10	65 mm	120 mm	JCB-991-00115	59.21
EXTENSION	903-05900	M570000	I-U-10	70 mm	110 mm	JCB-991-00112	93.76
	903-06100	M570000	I-U-10	70 mm	110 mm	JCB-991-00112	93.76
LIFT	561-60018	M570000	I-U-10	65 mm	110 mm	JCB-991-00111	132.74
STEERING - Front & Rear	551-10100	M570000	I-U-10	25 mm	50 mm	JCB-991-00097	60.88
SWAY	561-60012	M570000	I-U-15	50 mm	110 mm	JCB-991-00126	76.28
	561-60023	M570000	I-U-10	50 mm	110 mm	JCB-991-00109	98.07
TILT	563-60011	M570000	I-U-10	65 mm	120 mm	JCB-991-00115	59.21
MODEL 506C							
DISPLACEMENT	563-60012		I-U-10	65 mm	120 mm	JCB-991-00115	59.21
EXTENSION	561-60072		I-U-10	70 mm	110 mm	JCB-991-00112	93.76
	903-06100		I-U-10	70 mm	110 mm	JCB-991-00112	93.76
LIFT	561-60056		I-U-10	70 mm	110 mm	JCB-991-00112	93.76
STEERING	551-10100		I-U-10	25 mm	50 mm	JCB-991-00097	60.88
SWAY	561-60023		I-U-10	50 mm	110 mm	JCB-991-00109	98.07
	561-60127		I-U-10	50 mm	110 mm	JCB-991-00109	98.07
TILT	563-60011		I-U-10	65 mm	120 mm	JCB-991-00115	59.21
MODEL 506C-HL							
DISPLACEMENT	563-70012		I-U-10	65 mm	120 mm	JCB-991-00115	59.21
EXTENSION	561-60068		I-U-10	75 mm	110 mm	JCB-991-00161	117.21
LIFT	561-60120		I-U-10	70 mm	110 mm	JCB-991-00112	93.76
STEERING	553-13800		I-U-10	30 mm	60 mm	JCB-991-00098	67.17
	563-60012		I-U-10	30 mm	60 mm	JCB-991-00098	67.17
SWAY	561-60023		I-U-10	50 mm	110 mm	JCB-991-00109	98.07
	561-60127		I-U-10	50 mm	110 mm	JCB-991-00109	98.07
TILT	563-60011		I-U-10	65 mm	120 mm	JCB-991-00115	59.21
MODEL 507-42							
DISPLACEMENT	563-70136	01402920-01404999; 01403000-01404999; 02083497-02084497; 02144565-02149565; 02173052-02183052	I-U-10	65 mm	120 mm	JCB-991-00115	59.21
EXTENSION	561-70243	01402920-01404999; 01403000-01404999; 02083497-02084497; 02144565-02149565; 02173052-02183052	I-U-10	75 mm	110 mm	JCB-991-00161	117.21

Replacement Kits For

JCB

Telehandlers							
APPLICATION	CYL #	SERIAL #	CODE	ROD	BORE	KIT #	List \$
MODEL 507-42							
LIFT	561-70230	01402920-01404999; 01403000-01404999; 02083497-02084497; 02144565-02149565; 02173052-02183052	I-U-10	70 mm	110 mm	JCB-991-00112	93.76
STABILIZER REAR AXLE (LH)	561-70234	01402920-01404999; 01403000-01404999; 02083497-02084497; 02144565-02149565; 02173052-02183052	I-U-10	50 mm	110 mm	JCB-991-00109	98.07
STABILIZER REAR AXLE (RH)	561-70235	01402920-01404999; 01403000-01404999; 02083497-02084497; 02144565-02149565; 02173052-02183052	I-U-10	50 mm	110 mm	JCB-991-00109	98.07
STABILIZER SWAY	561-70236	01402920-01404999; 01403000-01404999; 02083497-02084497; 02144565-02149565; 02173052-02183052	I-U-10	50 mm	110 mm	JCB-991-00109	98.07
STEERING	553-70198	01402920-01404999; 01403000-01404999; 02083497-02084497; 02144565-02149565; 02173052-02183052	I-U-10	30 mm	60 mm	JCB-991-20024	50.29
TILT	563-70112	01402920-01404999; 01403000-01404999; 02083497-02084497; 02144565-02149565; 02173052-02183052	I-U-10	65 mm	120 mm	JCB-991-00115	59.21
MODEL 508C							
DISPLACEMENT	563-60012		I-U-10	65 mm	120 mm	JCB-991-00115	59.21
EXTENSION	561-60068		I-U-10	75 mm	110 mm	JCB-991-00161	117.21
LIFT	563-60034		I-U-10	75 mm	120 mm	JCB-991-00160	127.63
	563-60041		I-U-10	75 mm	120 mm	JCB-991-00160	127.63
STEERING	551-13800		I-U-10	30 mm	60 mm	JCB-991-00098	67.17
	553-60143		I-U-10	30 mm	60 mm	JCB-991-00098	67.17
SWAY	561-60023		I-U-10	50 mm	110 mm	JCB-991-00109	98.07
	561-60127		I-U-10	50 mm	110 mm	JCB-991-00109	98.07
TILT	563-60033		I-U-10	65 mm	120 mm	JCB-991-00115	59.21
MODEL 509-42							
DISPLACEMENT	563-60136	01402020-01404999; 01403000-01404999; 02083497-02084497; 02144565-02149565; 02173052-02183052	I-U-10	65 mm	120 mm	JCB-991-00115	59.21
	563-70136	01402020-01404999; 02083497-02084497; 02144565-02149565; 02173052-02183052	I-U-10	65 mm	120 mm	JCB-991-00115	59.21
EXTENSION	561-70243	01402020-01404999; 02083497-02084497; 02144565-02149565; 02173052-02183052	I-U-10	75 mm	110 mm	JCB-991-00161	117.21
EXTENSION LOADER	561-60265	01402020-01404999; 01403000-01404999; 02083497-02084497; 02144565-02149565; 02173052-02183052	I-U-10	75 mm	110 mm	JCB-991-00161	117.21

JCB

Telehandlers							
APPLICATION	CYL #	SERIAL #	CODE	ROD	BORE	KIT #	List \$
MODEL 509-42							
LIFT	563-60141	01402020-01404999; 01403000-01404999; 02083497-02084497; 02144565-02149565; 02173052-02183052	I-U-10	75 mm	120 mm	JCB-991-00160	127.63
	563-70129	01402020-01404999; 02083497-02084497; 02144565-02149565; 02173052-02183052	I-U-10	75 mm	120 mm	JCB-991-00160	127.63
STABILIZER	561-60236	01402020-01404999; 01403000-01404999; 02083497-02084497; 02144565-02149565; 02173052-02183052	I-U-10	50 mm	110 mm	JCB-991-00109	98.07
STABILIZER REAR AXLE - Left & Right	561-60234; 561-60235	01402020-01404999; 01403000-01404999; 02083497-02084497; 02144565-02149565; 02173052-02183052	I-U-10	50 mm	110 mm	JCB-991-00109	98.07
STABILIZER REAR AXLE (LH)	561-70234	01402020-01404999; 02083497-02084497; 02144565-02149565; 02173052-02183052	I-U-10	50 mm	110 mm	JCB-991-00109	98.07
STABILIZER REAR AXLE (RH)	561-70235	01402020-01404999; 02083497-02084497; 02144565-02149565; 02173052-02183052	I-U-10	50 mm	110 mm	JCB-991-00109	98.07
STABILIZER SWAY	561-70236	01402020-01404999; 02083497-02084497; 02144565-02149565; 02173052-02183052	I-U-10	50 mm	110 mm	JCB-991-00109	98.07
STEERING	553-70198	01402020-01404999; 02083497-02084497; 02144565-02149565; 02173052-02183052	I-U-10	30 mm	60 mm	JCB-991-20024	50.29
TILT	563-60123	01402020-01404999; 01403000-01404999; 02083497-02084497; 02144565-02149565; 02173052-02183052	I-U-10	65 mm	120 mm	JCB-991-00115	59.21
	563-70112	01402020-01404999; 02083497-02084497; 02144565-02149565; 02173052-02183052	I-U-10	65 mm	120 mm	JCB-991-00115	59.21
MODEL 510-56							
DISPLACEMENT	563-70136	01402020-01404999; 01403000-01404999; 02083497-02084497; 02144565-02149565; 02173052-02183052	I-U-10	65 mm	120 mm	JCB-991-00115	59.21
	563-70136	01402020-01404999; 02083497-02084497; 02144565-02149565; 02173052-02183052	I-U-10	65 mm	120 mm	JCB-991-00115	59.21
DOZER		01402020-01404999; 01403000-01404999; 02083497-02084497; 02144565-02149565; 02173052-02183052	I-U-10	60 mm	110 mm	JCB-991-20030	73.50
		01402020-01404999; 02083497-02084497; 02144565-02149565; 02173052-02183052	I-U-10	60 mm	110 mm	JCB-991-20030	73.50

Replacement Kits For

JCB

Telehandlers							
APPLICATION	CYL #	SERIAL #	CODE	ROD	BORE	KIT #	List \$
MODEL 510-56							
EXTENSION	565-70112	01402020-01404999; 02083497-02084497; 02144565-02149565; 02173052-02183052	I-U-10	35 mm	60 mm	JCB-991-00170	58.68
EXTENSION LOADER	565-70112	01402020-01404999; 01403000-01404999; 02083497-02084497; 02144565-02149565; 02173052-02183052	P-UB-15	0, 105 mm	0, 125 mm	JCB-991-10170	149.48
LIFT	565-70117	01402020-01404999; 01403000-01404999; 02083497-02084497; 02144565-02149565; 02173052-02183052	I-U-10	75 mm	130 mm	JCB-991-00121	91.87
	565-70117	01402020-01404999; 02083497-02084497; 02144565-02149565; 02173052-02183052	I-U-10	75 mm	130 mm	JCB-991-00121	91.87
STABILIZER	561-70236	01402020-01404999; 01403000-01404999; 02083497-02084497; 02144565-02149565; 02173052-02183052	I-U-10	50 mm	110 mm	JCB-991-00109	98.07
STABILIZER - Left Hand Assembly	561-70210	01402020-01404999; 01403000-01404999; 02083497-02084497; 02144565-02149565; 02173052-02183052	I-U-10	60 mm	110 mm	JCB-991-20030	73.50
STABILIZER - Right Side Assembly	561-70209	01402020-01404999; 01403000-01404999; 02083497-02084497; 02144565-02149565; 02173052-02183052	I-U-10	60 mm	110 mm	JCB-991-20030	73.50
STABILIZER (LH)	561-70210	01402020-01404999; 02083497-02084497; 02144565-02149565; 02173052-02183052	I-U-10	60 mm	110 mm	JCB-991-20030	73.50
STABILIZER (RH)	561-70209	01402020-01404999; 02083497-02084497; 02144565-02149565; 02173052-02183052	I-U-10	60 mm	110 mm	JCB-991-20030	73.50
STABILIZER REAR AXLE - Left & Right	561-70234; 561-70235	01402020-01404999; 01403000-01404999; 02083497-02084497; 02144565-02149565; 02173052-02183052	I-U-10	50 mm	110 mm	JCB-991-00109	98.07
STABILIZER REAR AXLE (LH)	561-70234	01402020-01404999; 02083497-02084497; 02144565-02149565; 02173052-02183052	I-U-10	50 mm	110 mm	JCB-991-00109	98.07
STABILIZER REAR AXLE (RH)	561-70235	01402020-01404999; 02083497-02084497; 02144565-02149565; 02173052-02183052	I-U-10	50 mm	110 mm	JCB-991-00109	98.07
STABILIZER SWAY	561-70236	01402020-01404999; 02083497-02084497; 02144565-02149565; 02173052-02183052	I-U-10	50 mm	110 mm	JCB-991-00109	98.07
STEERING	553-70198	01402020-01404999; 02083497-02084497; 02144565-02149565; 02173052-02183052	I-U-10	30 mm	60 mm	JCB-991-20024	50.29

JCB

Telehandlers							
APPLICATION	CYL #	SERIAL #	CODE	ROD	BORE	KIT #	List \$
MODEL 510-56							
TILT	563-70112	01402020-01404999; 01403000-01404999; 02083497-02084497; 02144565-02149565; 02173052-02183052	I-U-10	65 mm	120 mm	JCB-991-00115	59.21
	563-70112	01402020-01404999; 02083497-02084497; 02144565-02149565; 02173052-02183052	I-U-10	65 mm	120 mm	JCB-991-00115	59.21
MODEL 512-56							
DISPLACEMENT	563-70136	01402020-01404999; 01403000-01404999; 02083497-02084497; 02144565-02149565; 02173052-02183052	I-U-10	65 mm	120 mm	JCB-991-00115	59.21
EXTENSION LOADER	565-70112	01402020-01404999; 01403000-01404999; 02083497-02084497; 02144565-02149565; 02173052-02183052	P-UB-15	0, 105 mm	0, 125 mm	JCB-991-10170	149.48
LIFT	565-70117	01402020-01404999; 01403000-01404999; 02083497-02084497; 02144565-02149565; 02173052-02183052	I-U-10	75 mm	130 mm	JCB-991-00121	91.87
STABILIZER	561-70236	01402020-01404999; 01403000-01404999; 02083497-02084497; 02144565-02149565; 02173052-02183052	I-U-10	50 mm	110 mm	JCB-991-00109	98.07
STABILIZER - Left Hand Assembly	561-70210	01402020-01404999; 01403000-01404999; 02083497-02084497; 02083497-02084497; 02144565-02149565; 02173052-02183052	I-U-10	60 mm	110 mm	JCB-991-20030	73.50
STABILIZER - Right Side Assembly	561-70209	01402020-01404999; 01403000-01404999; 02083497-02084497; 02144565-02149565; 02173052-02183052	I-U-10	60 mm	110 mm	JCB-991-20030	73.50
STABILIZER REAR AXLE - Left & Right	561-70234; 561-70235	01402020-01404999; 01403000-01404999; 02083497-02084497; 02144565-02149565; 02173052-02183052	I-U-10	50 mm	110 mm	JCB-991-00109	98.07
TILT	563-70157	01402020-01404999; 01403000-01404999; 02083497-02084497; 02144565-02149565; 02173052-02183052	I-U-10	65 mm	120 mm	JCB-991-20038	104.71
MODEL 520-50							
DISPLACEMENT		00754000-00754999; 00789001-00790999; 00881000-00882999; 01048000-01048999; 01411000-01411999	I-U-10	60 mm	110 mm	JCB-991-00110	118.11
EXTENSION		00754000-00754999; 00789001-00790999; 00881000-00882999; 01048000-01048999; 01411000-01411999	I-U-10	50 mm	70 mm	JCB-991-00105	107.49

Replacement Kits For

JCB

Telehandlers							
APPLICATION	CYL #	SERIAL #	CODE	ROD	BORE	KIT #	List \$
MODEL 520-50							
LIFT		00754000-00754999; 00789001-00790999; 00881000-00882999; 01048000-01048999; 01411000-01411999	I-U-10	60 mm	110 mm	JCB-991-00110	118.11
LOG GRAB, MANURE SILAGE FORK		00754000-00754999; 00789001-00790999; 00881000-00882999; 01048000-01048999; 01411000-01411999	I-U-10	1-1/2"	2-3/8"	JCB-545-45307	57.07
MULTIBUCKET		00754000-00754999; 00789001-00790999; 00881000-00882999; 01048000-01048999; 01411000-01411999	I-U-10	1-1/2"	2-3/8"	JCB-545-45307	57.07
STEERING		00754000-00754999; 00789001-00790999; 00881000-00882999; 01048000-01048999; 01411000-01411999	I-U-10	30 mm	60 mm	JCB-991-00098	67.17
TILT		00754000-00754999; 00789001-00790999; 00881000-00882999; 01048000-01048999; 01411000-01411999	I-U-10	70 mm	120 mm	JCB-991-20027	44.11
TOW HITCH		00754000-00754999; 00789001-00790999; 00881000-00882999; 01048000-01048999; 01411000-01411999	I-U-10	25 mm	50 mm	JCB-991-00097	60.88
MODEL 520-50LE							
DISPLACEMENT		00754000-00754999; 00789001-00790999; 00881000-00882999; 01048000-01048999; 01411000-01411999	I-U-10	60 mm	110 mm	JCB-991-00110	118.11
EXTENSION		00754000-00754999; 00789001-00790999; 00881000-00882999; 01048000-01048999; 01411000-01411999	I-U-10	50 mm	70 mm	JCB-991-00105	107.49
LIFT		00754000-00754999; 00789001-00790999; 00881000-00882999; 01048000-01048999; 01411000-01411999	I-U-10	60 mm	110 mm	JCB-991-00110	118.11
LOG GRAB, MANURE SILAGE FORK		00754000-00754999; 00789001-00790999; 00881000-00882999; 01048000-01048999; 01411000-01411999	I-U-10	1-1/2"	2-3/8"	JCB-545-45307	57.07
MULTIBUCKET		00754000-00754999; 00789001-00790999; 00881000-00882999; 01048000-01048999; 01411000-01411999	I-U-10	1-1/2"	2-3/8"	JCB-545-45307	57.07
STEERING		00754000-00754999; 00789001-00790999; 00881000-00882999; 01048000-01048999; 01411000-01411999	I-U-10	30 mm	60 mm	JCB-991-00098	67.17

JCB

Replacement Kits For

JCB

Telehandlers							
APPLICATION	CYL #	SERIAL #	CODE	ROD	BORE	KIT #	List \$
MODEL 520-50LE							
TILT		00754000-00754999; 00789001-00790999; 00881000-00882999; 01048000-01048999; 01411000-01411999	I-U-10	70 mm	120 mm	JCB-991-20027	44.11
TOW HITCH		00754000-00754999; 00789001-00790999; 00881000-00882999; 01048000-01048999; 01411000-01411999	I-U-10	25 mm	50 mm	JCB-991-00097	60.88
MODEL 525B-4HL							
ATTACHMENT	545-45300	M272000-M276567	I-U-10	1-1/2"	2-3/8"	JCB-545-45307	57.07
DISPLACEMENT	561-09900	M272000-M276567	I-U-15	60 mm	110 mm	JCB-991-00058	97.34
EXTENSION	556-08300	M272050	I-SP-15	50 mm	70 mm	JCB-556-08300K	110.61
	556-12900	M272000-M276567	I-SP-15	50 mm	70 mm	JCB-556-08300K	110.61
EXTENSION w/ Check Valve	556-13400	M272000-M276567	I-SP-15	50 mm	70 mm	JCB-556-08300K	110.61
LIFT - 7' Mast - 1st Stage	547-41700	M272000-M276567	P-U-10	2"	2-1/2"	JCB-991-03900	54.06
LIFT - 7' Mast - 2nd Stage	547-41700	M272000-M276567	I-U-15	2-7/8"	3-1/2"	JCB-991-03800	77.45
TILT	561-29600	M272000-M276567	I-SP-15	60 mm	110 mm	JCB-561-10200K	148.64
TILT - Side	553-04300	M272000-M276567	I-U-14	30 mm	60 mm	JCB-991-00021	58.12
MODEL 527-55							
DISPLACEMENT		01014357-01014999	I-U-10	35 mm	70 mm	JCB-991-10041	48.53
		01014357-01014999; 01068000-01069999; 01069457-01069548; 01417000-01419999	I-U-10	40 mm	70 mm	JCB-991-10151	34.88
EXTENSION		01014357-01014999; 01068000-01069999; 01069457-01069548; 01417000-01419999	I-U-10	50 mm	70 mm	JCB-991-00105	107.49
LIFT		01014357-01014999; 01068000-01069999; 01069457-01069548; 01417000-01419999	I-U-10	65 mm	120 mm	JCB-991-00115	59.21
STEERING		01014357-01014999; 01068000-01069999; 01069457-01069548; 01417000-01419999	I-U-10	42 mm	75 mm	JCB-448-17201	44.24
TILT		01014357-01014999; 01068000-01069999; 01069457-01069548; 01417000-01419999	I-U-10	70 mm	120 mm	JCB-991-20027	44.11
TOW HITCH		01014357-01014999; 01068000-01069999; 01069457-01069548; 01417000-01419999	I-U-10	25 mm	50 mm	JCB-991-00097	60.88
MODEL 527-55S							
DISPLACEMENT		01014357-01014999	I-U-10	35 mm	70 mm	JCB-991-10041	48.53
		01014357-01014999; 01068000-01069999; 01069457-01069548; 01417000-01419999	I-U-10	40 mm	70 mm	JCB-991-10151	34.88
EXTENSION		01014357-01014999; 01068000-01069999; 01069457-01069548; 01417000-01419999	I-U-10	50 mm	70 mm	JCB-991-00105	107.49
LIFT		01014357-01014999; 01068000-01069999; 01069457-01069548; 01417000-01419999	I-U-10	65 mm	120 mm	JCB-991-00115	59.21

JCB

Replacement Kits For

JCB

Telehandlers							
APPLICATION	CYL #	SERIAL #	CODE	ROD	BORE	KIT #	List \$
MODEL 527-55S							
STEERING		01014357-01014999; 01068000-01069999; 01069457-01069548; 01417000-01419999	I-U-10	42 mm	75 mm	JCB-448-17201	44.24
TILT		01014357-01014999; 01068000-01069999; 01069457-01069548; 01417000-01419999	I-U-10	70 mm	120 mm	JCB-991-20027	44.11
TOW HITCH		01014357-01014999; 01068000-01069999; 01069457-01069548; 01417000-01419999	I-U-10	25 mm	50 mm	JCB-991-00097	60.88
MODEL 530B-4HL							
ATTACHMENT	545-45300	M580001-M584435	I-U-10	1-1/2"	2-3/8"	JCB-545-45307	57.07
BOOM LIFT	561-13800	M580970	I-U-15	60 mm	110 mm	JCB-991-00014	67.13
	561-22400	M580001-M584435	I-U-15	60 mm	110 mm	JCB-991-00029	97.34
CLAMSHOVEL	556-23700	M580001-M584435	I-U-15	40 mm	70 mm	JCB-991-00015	41.52
	556-31900	M580001-M584435	I-U-15	40 mm	70 mm	JCB-991-00122	67.98
DISPLACEMENT	563-05600	M580001-M584435	I-U-15	65 mm	120 mm	JCB-991-00030	122.82
EXTENSION - Inner	557-06700	M580001-M584435	I-SP-15	60 mm	90 mm	JCB-557-06700K	150.15
EXTENSION - Outer	561-17200	M581764	I-U-15	60 mm	110 mm	JCB-991-00014	67.13
	561-29500	M580001-M584435	I-U-15	60 mm	110 mm	JCB-991-00029	97.34
LIFT - 7' Mast - 1st Stage	547-41700	M580001-M584435	P-U-10	2"	2-1/2"	JCB-991-03900	54.06
LIFT - 7' Mast - 2nd Stage	547-41700	M580001-M584435	I-U-15	2-7/8"	3-1/2"	JCB-991-03800	77.45
STABILIZER	559-23100	M580810	I-U-15	60 mm	100 mm	JCB-991-00012	69.85
	559-32200	M580001-M584435	I-U-15	60 mm	100 mm	JCB-991-00028	155.29
TILT	563-23700	M580001-M584435	I-U-15	65 mm	120 mm	JCB-991-00030	122.82
TILT - Side	553-04300	M580001-M584435	I-U-14	30 mm	60 mm	JCB-991-00021	58.12
Wheel Dozers/Loaders							
APPLICATION	CYL #	SERIAL #	CODE	ROD	BORE	KIT #	List \$
MODEL 426, 426B							
LIFT		01231500-01232499; 01295000-01295999; 00531000-00531299; 00531300-00531800; 00532100-00532499; 00532500-00532999; 00533300-00533699; 01173000-01173999	I-U-10	60 mm	110 mm	JCB-991-00110	118.11
QUICK HITCH		00532500-00532999; 01173000-01173999	I-U-15	30 mm	60 mm	JCB-262-83024	31.64
		01231500-01232499; 01295000-01295999; 00531000-00531299; 00531300-00531800; 00533300-00533699	I-U-10	25 mm	50 mm	JCB-991-00097	60.88
STEERING		01231500-01232499; 01295000-01295999; 00531000-00531299; 00531300-00531800; 00532100-00532499; 00532500-00532999; 00533300-00533699; 01173000-01173999	I-U-10	50 mm	80 mm	JCB-991-00102	90.57
TILT		01231500-01232499; 01295000-01295999; 00531000-00531299; 00531300-00531800; 00532100-00532499; 00532500-00532999; 00533300-00533699; 01173000-01173999	I-U-10	60 mm	100 mm	JCB-991-00145	93.27

JCB

Wheel Dozers/Loaders							
APPLICATION	CYL #	SERIAL #	CODE	ROD	BORE	KIT #	List \$
MODEL 426, 426B							
TILT (Z-BAR)		00531000-00531299	P-UB-10	80 mm	160 mm	JCB-998-10374	210.81
		01231500-01232499; 01295000-01295999; 00531000-00531299; 00531300-00531800; 00532100-00532499; 00532500-00532999; 00533300-00533699; 01173000-01173999	I-U-10	70 mm	130 mm	JCB-991-00120	159.53
MODEL 436, 436B							
LIFT		01305000-01305999; 01410000-01410999; 00533000-00533299; 00533300-00533699; 00533700- 00534199;00534200- 00534999	I-U-10	70 mm	130 mm	JCB-991-00120	159.53
QUICK HITCH		01305000-01305999; 01410000-01410999; 00533000-00533299; 00534200-00534999; 00533300-00533699	I-U-10	25 mm	50 mm	JCB-991-00097	60.88
STEERING		01305000-01305999; 01410000-01410999; 00533000-00533299; 00533300-00533699; 00533700-00534199; 00534200-00534999	I-U-10	50 mm	80 mm	JCB-991-00102	90.57
TILT	from: M533210	01305000-01305999; 01410000-01410999; 00533000-00533299; 00534200-00534999; 00533700-00534199	I-U-10	65 mm	110 mm	JCB-991-00111	132.74
	to: M633209	00533000-00533299; 00533300-00533699	I-U-10	60 mm	110 mm	JCB-991-00110	118.11
TILT (Z-BAR)		00533000-00533299; 00533300-00533699; 00533700-00534199	I-U-14	80 mm	160 mm	JCB-991-00149	460.92
	from: M1305060	01305000-01305999; 01410000-01410999	P-UB-14	90 mm	160 mm	JCB-991-10156	293.83
	to: M1305059	01305000-01305999; 00534200-00534999	P-UB-10	80 mm	160 mm	JCB-998-10374	210.81
MODEL 456, 456B							
LIFT		00539000-00539228	I-U-14	80 mm	160 mm	JCB-991-00149	460.92
		00539229-00539399	P-UB-10	80 mm	160 mm	JCB-998-10374	210.81
		00539400-00539807	P-UB-10	80 mm	160 mm	JCB-998-10374	210.81
	from: M1169139	1169001-1169999	P-UB-14	80 mm	160 mm	JCB-991-10154	294.13
	from: M1239002	01239000-01239499	P-UB-14	80 mm	160 mm	JCB-991-10154	294.13
	from: M539185	00539000-00539228	P-UB-10	80 mm	160 mm	JCB-998-10374	210.81
	to: M1169138	1169001-1169999	P-UB-10	80 mm	160 mm	JCB-998-10374	210.81
	to: M1239001	01239000-01239499	P-UB-10	80 mm	160 mm	JCB-998-10374	210.81
STEERING		00539229-00539399; 00539400-00539807; 00539000-00539228; 01239000-01239499	I-U-10	50 mm	90 mm	JCB-991-00103	70.36
TILT		00539229-00539399	P-UB-10	90 mm	180 mm	JCB-998-10375	273.53
		00539400-00539807	P-UB-10	90 mm	180 mm	JCB-998-10375	273.53
	from: M1169140	1169001-1169999	I-UB-14	90 mm	180 mm	JCB-991-10158	209.53
	from: M1239008	01239000-01239499	I-UB-14	90 mm	180 mm	JCB-991-10158	209.53
	from: M539185	00539000-00539228	P-UB-10	90 mm	180 mm	JCB-998-10375	273.53
	to: M1169139	1169001-1169999	P-UB-10	90 mm	180 mm	JCB-998-10375	273.53
	to: M1239007	01239000-01239499	P-UB-10	90 mm	180 mm	JCB-998-10375	273.53

Replacement Kits For

JCB

Wheel Dozers/Loaders

APPLICATION	CYL #	SERIAL #	CODE	ROD	BORE	KIT #	List \$
MODEL 456, 456B							
TILT (Z-BAR)	from: M1169140	1169001-1169999	I-UB-14	90 mm	180 mm	JCB-991-10158	209.53
	from: M1239008	01239000-01239499	I-UB-14	90 mm	180 mm	JCB-991-10158	209.53

JCB

REPLACEMENT KITS FOR JCB

Kit Number	Rod X Bore Size	List Price
JCB-20-602005	PUMP KIT	\$68.09
JCB-20-950206	O-RING KIT	24.94
JCB-231-02906	30 X 50 mm	48.12
JCB-231-02909	30 X 50 mm	141.41
JCB-231-22506	35 X 70 mm	120.33
JCB-231-22509	35 X 70 mm	206.08
JCB-231-32807	35 X 70 mm	111.50
JCB-231-34316	30 X 50 mm	188.89
JCB-231-35413	30 X 50 mm	68.33
JCB-231-77408	30 X 55 mm	174.21
JCB-232-02906	40 X 70 mm	196.03
JCB-232-03407	50 X 75 mm	128.48
JCB-232-08512	40 X 80 mm	251.63
JCB-232-22510	45 X 90 mm	236.71
JCB-232-51155	45 X 90 mm	135.44
JCB-232-51254	45 X 75 mm	161.75
JCB-232-56152	40 X 80 mm	171.77
JCB-232-56352	40 X 70 mm	47.63
JCB-232-56507	50 X 75 mm	189.01
JCB-232-56754	45 X 90 mm	176.32
JCB-232-56956	50 X 80 mm	109.38
JCB-232-95956	40 X 70 mm	70.10
JCB-236-11516	35 X 70 mm	95.61
JCB-25-221906	O-RING KIT	35.52
JCB-262-83024	30 X 60 mm	31.64
JCB-331-38788	95 X 130 mm	257.96
JCB-331-39036	85 X 125 mm	146.85
JCB-331-39041	85 X 115 mm	165.03
JCB-331-39047	95 X 130 mm	244.32
JCB-331-39673	35 X 60 mm	36.53
JCB-331-41835	85 mm Rotary	327.82
JCB-332-C7368	95 X 130 mm	222.31
JCB-332-D4850	40 X 70 mm	62.18
JCB-332-E8224	60 X 90 mm	74.80
JCB-332-G9281	85 X 115 mm	157.36
JCB-332-G9282	85 X 125 mm	213.05
JCB-448-17201	42 X 75 mm	44.24
JCB-545-45307	1-1/2 X 2-3/8	57.07
JCB-547-42102	7/8 X 2	25.93
JCB-548-12801	1/2 X 25 mm	10.22
JCB-556-08300K	50 X 70 mm	110.61
JCB-556-24900K	50 X 70 mm	160.32
JCB-557-06700K	60 X 90 mm	150.15
JCB-561-10200K	60 X 110 mm	148.64
JCB-690-00693	75 X 100 mm	396.30
JCB-690-00754	100 X 135 mm	247.48
JCB-690-00801	80 X 120 mm	186.12
JCB-690-00972	75 X 140 mm	318.14

Kit Number	Rod X Bore Size	List Price
JCB-903-10301	1-3/8 X 2	\$54.50
JCB-903-20265	85 X 120 mm	421.96
JCB-903-20405	45 X 90 mm	150.18
JCB-903-20418	40 X 80 mm	87.49
JCB-903-20434	40 X 65 mm	93.15
JCB-903-20839	70 X 95 mm	372.74
JCB-903-20856	80 X 115 mm	480.96
JCB-903-20862	75 X 100 mm	630.72
JCB-903-20903	80 X 115 mm	362.98
JCB-903-20910	75 X 105 mm	451.32
JCB-903-20916	85 X 120 mm	433.30
JCB-903-21037	90 X 130 mm	217.05
JCB-903-21049	95 X 130 mm	150.71
JCB-903-21165	100 X 140 mm	272.12
JCB-904-20156	O-RING KIT	34.00
JCB-980-35603	1-1/2 X 3	79.78
JCB-983-00154	50 X 100 mm	100.46
JCB-983-11155	40 X 65 mm	66.29
JCB-991-00001	1-1/2 X 2-3/4	83.89
JCB-991-00002	2 X 3-5/8	114.96
JCB-991-00003	2 X 4	77.33
JCB-991-00004	2 X 4-1/2	110.18
JCB-991-00005	2-1/2 X 4	143.38
JCB-991-00007	63 X 5 mm	278.09
JCB-991-00008	2-1/2 X 4-1/2	148.72
JCB-991-00009	1 X 2	53.48
JCB-991-00010	5 PISTON KIT	79.43
JCB-991-00011	4-1/2 PISTON KIT	120.56
JCB-991-00012	60 X 100 mm	69.85
JCB-991-00013	50 X 90 mm	63.48
JCB-991-00014	60 X 110 mm	67.13
JCB-991-00015	40 X 70 mm	41.52
JCB-991-00016	50 X 80 mm	74.63
JCB-991-00017	30 X 60 mm	72.76
JCB-991-00018	110 mm PISTON KIT	38.21
JCB-991-00020	30X 60 mm	35.84
JCB-991-00021	30 X 60 mm	58.12
JCB-991-00026	50 x 80 mm	144.40
JCB-991-00027	50 x 90 mm	143.27
JCB-991-00028	60 X 100 mm	155.29
JCB-991-00029	60 X 110 mm	97.34
JCB-991-00030	65 X 120 mm	122.82
JCB-991-00036	30 X 70 mm	62.12
JCB-991-00054	25 X 50 mm	74.48
JCB-991-00055	60 X 100 mm	155.29
JCB-991-00058	60 X 110 mm	97.34
JCB-991-00061	50 X 80 mm	144.40
JCB-991-00069	30 X 70 mm	43.85

REPLACEMENT KITS FOR JCB

JCB

Kit Number	Rod X Bore Size	List Price
JCB-991-00071	25 X 50 mm	\$53.88
JCB-991-00095	40 X 70 mm	71.08
JCB-991-00095P	40 X 70 mm	71.08
JCB-991-00096	50 X 90 mm	143.27
JCB-991-00097	25 X 50 mm	60.88
JCB-991-00097P	25 X 50 mm	60.88
JCB-991-00098	30 X 60 mm	67.17
JCB-991-00098P	30 X 60 mm	67.17
JCB-991-00099	30 X 70 mm	71.15
JCB-991-00099P	30 X 70 mm	71.15
JCB-991-00100	40 X 70 mm	71.08
JCB-991-00102	50 X 80 mm	90.57
JCB-991-00103	50 X 90 mm	70.36
JCB-991-00103P	50 X 90 mm	70.36
JCB-991-00105	50 X 70 mm	107.49
JCB-991-00105P	50 X 70 mm	107.49
JCB-991-00109	50 X 110 mm	98.07
JCB-991-00109P	50 X 110 mm	98.07
JCB-991-00110	60 X 110 mm	118.11
JCB-991-00110P	60 X 110 mm	118.11
JCB-991-00111	65 X 110 mm	132.74
JCB-991-00111P	65 X 110 mm	132.74
JCB-991-00112	70 X 110 mm	93.76
JCB-991-00112P	70 X 110 mm	93.76
JCB-991-00115	65 X 120 mm	59.21
JCB-991-00115P	65 X 120 mm	59.21
JCB-991-00116	70 X 120 mm	44.11
JCB-991-00120	70 X 130 mm	159.53
JCB-991-00120P	70 X 130 mm	159.53
JCB-991-00121	75 X 130 mm	91.87
JCB-991-00122	40 X 70 mm	67.98
JCB-991-00123	50 X 80 mm	96.79
JCB-991-00126	50 X 110 mm	76.28
JCB-991-00127	50 X 90 mm	143.27
JCB-991-00130	60 X 100 mm	155.29
JCB-991-00131	60 X 110 mm	97.34
JCB-991-00135	65 X 120 mm	122.82
JCB-991-00144	75 X 140 mm	212.26
JCB-991-00144P	75 X 140 mm	212.26
JCB-991-00145	60 X 100 mm	93.27
JCB-991-00145P	60 X 100 mm	93.27
JCB-991-00146	65 X 110 mm	110.31
JCB-991-00146P	65 X 110 mm	110.31
JCB-991-00147	60 X 90 mm	120.42
JCB-991-00147P	60 X 90 mm	120.42
JCB-991-00148	60 X 110 mm	132.21
JCB-991-00148P	60 X 110 mm	132.21
JCB-991-00149	80 X 160 mm	460.92

Kit Number	Rod X Bore Size	List Price
JCB-991-00152	60 X 100 mm	\$89.44
JCB-991-00152P	60 X 100 mm	89.44
JCB-991-00156	45 X 75 mm	114.25
JCB-991-00160	75 X 120 mm	127.63
JCB-991-00161	75 X 110 mm	117.21
JCB-991-00163	50 X 90 mm	75.19
JCB-991-00163P	50 X 90 mm	75.19
JCB-991-00164	45 X 90 mm	212.60
JCB-991-00165	45 X 90 mm	185.90
JCB-991-00166	45 X 75 mm	246.36
JCB-991-00167	40 X 80 mm	85.67
JCB-991-00170	35 X 60 mm	58.68
JCB-991-00170P	35 X 60 mm	58.68
JCB-991-00171	25 X 50 mm	80.93
JCB-991-03800	2-7/8 X 3-1/2	77.45
JCB-991-03900	2 X 2-1/2	54.06
JCB-991-10001	45 X 80 mm	72.97
JCB-991-10041	35 X 70 mm	48.53
JCB-991-10041P	35 X 70 mm	48.53
JCB-991-10081	40 X 60 mm	49.49
JCB-991-10102	30 X 50 mm	140.30
JCB-991-10111	40 X 80 mm	206.53
JCB-991-10112	40 X 70 mm	209.49
JCB-991-10113	50 X 75 mm	163.26
JCB-991-10121	60 X 110 mm	82.93
JCB-991-10122	50 X 90 mm	112.46
JCB-991-10127	100 X 140 mm	273.81
JCB-991-10129	70 X 95 mm	144.96
JCB-991-10138	60 X 100 mm	91.23
JCB-991-10139	80 X 115 mm	574.83
JCB-991-10141	30 X 50 mm	40.76
JCB-991-10141P	30 X 50 mm	40.76
JCB-991-10142	60 X 100 mm	77.57
JCB-991-10144	60 X 110 mm	100.02
JCB-991-10151	40 X 70 mm	34.88
JCB-991-10154	80 X 160 mm	294.13
JCB-991-10156	90 X 160 mm	293.83
JCB-991-10158	90 X 180 mm	209.53
JCB-991-10170	60,105 X 90,125 mm	149.48
JCB-991-20009	50 X 90 mm	97.48
JCB-991-20019	25 X 50 mm	41.88
JCB-991-20021	40 X 70 mm	62.18
JCB-991-20022	50 X 80 mm	46.94
JCB-991-20023	60 X 100 mm	75.75
JCB-991-20024	30 X 60 mm	50.29
JCB-991-20025	70 mm X 130 mm	79.68
JCB-991-20026	80 mm X 160 mm	156.49
JCB-991-20027	70 X 120 mm	44.11

REPLACEMENT KITS FOR JCB

Kit Number	Rod X Bore Size	List Price
JCB-991-20029	75 mm X 140 mm	\$148.01
JCB-991-20030	60 X 110 mm	73.50
JCB-991-20038	65 X 120 mm	104.71
JCB-991-20039	60 X 100 mm	80.22
JCB-993-34509	1 X 2-1/2	27.96
JCB-993-46200K	25 X 50 mm	67.17
JCB-993-99610	O-RING KIT	5.00
JCB-993-99673	50 X 70 mm	139.27
JCB-997-00908	1-1/2 X 2-1/2	170.49
JCB-998-10020	85 X 125 mm	197.90
JCB-998-10021	90 X 130 mm	195.07
JCB-998-10022	105 X 150 mm	360.25
JCB-998-10023	90 X 135 mm	230.64
JCB-998-10040	80 X 115 mm	456.62
JCB-998-10200	O-RING KIT	50.94
JCB-998-10220	O-RING KIT	62.87
JCB-998-10242	O-RING KIT	42.57
JCB-998-10374	80 X 160 mm	210.81
JCB-998-10375	90 X 190 mm	273.53
JCB-LQU0036	85 X 125 mm	619.00
JCB-LQU0038	95 X 140 mm	390.34

Kit Number	Rod X Bore Size	List Price
JCB-LQU0045	95 X 140 mm	\$423.57
JCB-LQU0046	80 X 120 mm	571.64
JCB-LQU0049	110 X 160 mm	208.01
JCB-LQU0080	70 X 110 mm	558.40
JCB-LQU0081	80 X 120 mm	493.97
JCB-LQU0082	65 X 105 mm	262.07
JCB-LQU0089	85 X 125 mm	619.00
JCB-LQU0091	95 X 140 mm	390.34
JCB-LQU0092	80 X 120 mm	571.64
JCB-LQU0096	55 X 85 mm	131.95
JCB-LQU0114	75 X 100 mm	453.32
JCB-LQU0125	80 X 115 mm	419.97
JCB-LQU0126	70 X 95 mm	347.65
JCB-LQU-0138	100 X 135 mm	207.50
JCB-LQU-0142	80 X 120 mm	144.41
JCB-LQU-0164	80 X 115 mm	296.33
JCB-LQU0165	90 X 125 mm	335.48
JCB-LQU0166	75 X 105 mm	301.60
JCB-SKJ-CB7560	60 mm ROD KIT	19.33
JCB-SKJ-CB9035	35 X 90 mm	17.51

REPLACEMENT PARTS FOR JCB

NOTE: JCB part numbers are used as a reference only. We do not imply that these kits are original REPLACEMENT PARTS.

O-RINGS

Part Number	Min. Pkg Qty	List Price
JCB-LBQ0953	5	\$10.89
JCB-LBQ1453	1	9.00

Replacement Kits For



Telehandlers							
APPLICATION	CYL #	Misc-Parts, Instructions, etc.	CODE	ROD	BORE	KIT #	List \$
MODEL G9-43A							
BOOM LIFT							
016003316-0160070675,Including 0160032951,Excluding 0160040468							
91513274			P-UB-14	3-3/4	7	JLG-70022061	273.92
0160040675-,Including 0160040468,0160078671-,Excluding 0160048773							
1001108380			P-UB-14	3-3/4	7	JLG-70022061	273.92
0193001-0193007,0160000008-0160007141,0160007176-0160007822,0160008020-0160033297,Excluding 0160032951							
91513039			P-UB-14	3-3/4	7	JLG-91514020	293.65
COMPENSATING							
0160007176-0160007822,0160007869-0160007970,0160008020-0160033297							
91513226			P-UB-14	2-1/2	5-1/2	JLG-91514285	245.17
0160033316-,0160078671-,Excluding 0160048773							
91513272			P-UB-14	2-1/2	5-1/2	JLG-70024012	225.01
0193001-0193007,0160000008-0160007141							
91513040			P-UB-14	2-1/2	4-3/4	JLG-91514050	262.46
CROWD							
0160033222-							
91513276			P-UB-14	3	4	JLG-70022858	118.08
Before 0160033222							
91513002			P-UB-14	3	4	JLG-91514036	178.31
EXTEND/RETRACT							
0160078671-,Excluding 0160048773							
91513276			P-UB-14	3	4	JLG-70022858	118.08
FRAME LEVEL							
0160078671-,Excluding 0160048773							
91513273			P-UB-14	2	4	JLG-70022864	151.68
GRAPPLE BUCKET							
0193001-0193007,0160000008-,0160078671-,Excluding 0160048773							
70021393			I-U-10	1-1/4	2-1/2	JLG-70021452	12.62
OUTRIGGER							
0160039840-							
1001001211			I-U-10	2-1/2	5	JLG-70023899	95.88
Before 0160039840							
1001001211			P-UB-10	2-1/2	5	JLG-70024217	70.04
SIDE SHIFT CARRIAGE							
0160078671-,Excluding 0160048773							
70224539			I-U-13	25 mm	63 mm	JLG-70024549	78.26
SIDE TILT CARRIAGE							
0193001-0193007,0160000008-,0160078671-,Excluding 0160048773							
1001090134			I-U-10	1-3/4	3-1/2	JLG-70022041	30.06
SWAY							
0160033222-							
91513273			P-UB-14	2	4	JLG-70022864	151.68
0193001-0193007,0160000008-0160033206							
91513038			P-UB-14	2	4	JLG-91514063	203.75
SWING CARRIAGE							
0193001-0193007,0160000008-,0160078671-,Excluding 0160048773							
1001103182			I-U-10	1-1/2	3-1/2	JLG-2915023	43.65
TILT							
0160007142-0160033297							
91513225			P-UB-14	2-1/2	5-1/2	JLG-91514281	220.06
0160033316-							
91513275			P-UB-14	2-1/2	5-1/2	JLG-70024013	205.87
0160078671-,Excluding 0160048773							
91513275			P-UB-14	2-1/2	5-1/2	JLG-91514281	220.06

JLG

Replacement Kits For



Telehandlers							
APPLICATION	CYL #	Misc-Parts, Instructions, etc.	CODE	ROD	BORE	KIT #	List \$
MODEL G9-43A							
TILT							
0193001-0193007,0160000008-0160007414							
	91513027		P-UB-14	2-1/2	4-3/4	JLG-91514050	262.46
MODEL G10-43A							
BOOM LIFT							
0160007176-0160007822,0160007869-0160007970,0160008020-0160033297							
	91513039		P-UB-14	3-3/4	7	JLG-91514020	293.65
0160008020-0160033297,Excluding 0160032951							
	91513039		P-UB-14	3-3/4	7	JLG-91514020	293.65
0160038081-0160040208							
	91513274		P-UB-14	3-3/4	7	JLG-70022061	273.92
0160041167-							
	1001108380		P-UB-14	3-3/4	7	JLG-70022061	273.92
0160078671-,Excluding0160048773							
	1001108380		P-UB-14	3-3/4	7	JLG-70022061	273.92
0193001-0193007,0160000008-0160007141							
	91513039		P-UB-14	3-3/4	7	JLG-91514020	293.65
COMPENSATING							
0160007176-0160007822,0160007869-0160007970,0160008020-0160033297							
	91513226		P-UB-14	2-1/2	5-1/2	JLG-91514285	245.17
0160007869-0160007970							
	91513226		P-UB-14	2-1/2	5-1/2	JLG-91514285	245.17
0160008020-0160033297							
	91513226		P-UB-14	2-1/2	5-1/2	JLG-91514285	245.17
0160033316-							
	91513272		P-UB-14	2-1/2	5-1/2	JLG-70024012	225.01
0160078671-,Excluding0160048773							
	91513272		P-UB-14	2-1/2	5-1/2	JLG-70024012	225.01
0193001-0193007,0160000008-0160007141							
	91513040		P-UB-14	2-1/2	4-3/4	JLG-91514050	262.46
CROWD							
0160033222-							
	91513276		P-UB-14	3	4	JLG-70022858	118.08
Before 0160033222							
	91513002		P-UB-14	3	4	JLG-91514036	178.31
EXTEND/RETRACT							
0160078671-,Excluding0160048773							
	91513276		P-UB-14	3	4	JLG-70022858	118.08
FRAME LEVEL							
0160078671-,Excluding0160048773							
	91513273		P-UB-14	2	4	JLG-70022864	151.68
GRAPPLE BUCKET							
0160078671-,Excluding0160048773							
	70021393		I-U-10	1-1/4	2-1/2	JLG-70021452	12.62
0193001-0193007,0160000008-							
	70021393		I-U-10	1-1/4	2-1/2	JLG-70021452	12.62
OUTRIGGER							
0160039840-							
	1001001211		I-U-10	2-1/2	5	JLG-70023899	95.88
Before 0160039840							
	1001001211		P-UB-10	2-1/2	5	JLG-70024217	70.04
SIDE SHIFT CARRIAGE							
0160078671-,Excluding0160048773							
	70224539		I-U-13	25 mm	63 mm	JLG-70024549	78.26

JLG

Replacement Kits For



Telehandlers							
APPLICATION	CYL #	Misc-Parts, Instructions, etc.	CODE	ROD	BORE	KIT #	List \$
MODEL G10-43A							
SIDE TILT CARRIAGE							
0160078671-,Excluding0160048773							
1001090134			I-U-10	1-3/4	3-1/2	JLG-70022041	30.06
0193001-0193007,0160000008-							
1001090134			I-U-10	1-3/4	3-1/2	JLG-70022041	30.06
SWAY							
0160033222-							
91513273			P-UB-14	2	4	JLG-70022864	151.68
0193001-0193007,0160000008-0160033206							
91513038			P-UB-14	2	4	JLG-91514063	203.75
SWING CARRIAGE							
0160078671-,Excluding0160048773							
1001103182			I-U-10	1-1/2	3-1/2	JLG-2915023	43.65
0193001-0193007,0160000008-							
1001103182			I-U-10	1-1/2	3-1/2	JLG-2915023	43.65
TILT							
0160007142-0160033297							
91513225			P-UB-14	2-1/2	5-1/2	JLG-91514281	220.06
0160033316-							
91513275			P-UB-14	2-1/2	5-1/2	JLG-70024013	205.87
0160078671-,Excluding0160048773							
91513275			P-UB-14	2-1/2	5-1/2	JLG-91514281	220.06
0193001-0193007,0160000008-0160007414							
91513027			P-UB-14	2-1/2	4-3/4	JLG-91514050	262.46
MODEL G10-55A (AccuPlace)							
BOOM LIFT							
1684532			P-UB-14	3-1/2	5-1/2	JLG-70021632	364.69
EXTEND/RETRACT							
1684500			P-UB-14	3	4-3/4	JLG-70021598	257.60
FRAME LEVEL							
1001101281			P-UB-14	2	4	JLG-70021639	188.66
GRAPPLE BUCKET							
70021393			I-U-10	1-1/4	2-1/2	JLG-70021452	12.62
OUTRIGGER							
1001001211			P-UB-10	2-1/2	5	JLG-91144004	65.47
SIDE TILT CARRIAGE							
1001090134			I-U-10	1-3/4	3-1/2	JLG-70022041	30.06
STABILIZER							
1001101289			P-UB-14	2	4	JLG-70021639	188.66
SWING CARRIAGE							
1001103182			I-U-10	1-1/2	3-1/2	JLG-8035830	52.82
7029995			I,P-U-10	1-1/2	3	JLG-70021453	43.77
TILT							
1001099946			P-U-14	2-1/2	5-3/4	JLG-70022093	235.03
MODEL G10-55A							
BOOM LIFT							
0160033659-0160035822,Including 0160033452							
91573028			P-UB-14	3-1/2	5-1/2	JLG-70021632	364.69
0160041374-							
1001125154			P-UB-14	3-1/2	5-1/2	JLG-1001125160	245.41
0160045636-,Including 0160045082, 0160045094, 0160045209, 0160045295, 0160045296, 0160045449							
1001125154			P-UB-14	3-1/2	5-1/2	JLG-1001125160	245.41
Before 0160033659,Excluding 0160033452							
91573015			P-UB-14	3-1/2	5-1/2	JLG-7026961	364.81

JLG

Telehandlers							
APPLICATION	CYL #	Misc-Parts, Instructions, etc.	CODE	ROD	BORE	KIT #	List \$
MODEL G10-55A							
BOOM LIFT							
Before 0160045636, Excluding 0160045082, 0160045094, 0160045209, 0160045295, 0160045296, 0160045449							
1001101285			P-UB-14	3-1/2	5-1/2	JLG-70021632	364.69
1001116447			P-UB-14	90 mm	150 mm	JLG-70023397	137.45
COMPENSATING							
0160033659-0160037689, Including 0160033452							
91573031			P-UB-14	2-1/2	5-3/4	JLG-70021574	410.08
0160037689-0160041564							
1001101288			P-UB-14	2-1/2	5-3/4	JLG-70021574	410.08
0160041565-							
1001116442			P-U-14	2-1/2	5-3/4	JLG-70023986	231.82
0160045636-, Including 0160045082, 0160045094, 0160045209, 0160045295, 0160045296, 0160045449							
1001116442			P-U-14	2-1/2	5-3/4	JLG-70023986	231.82
1001152269			P-U-14	2-1/2	5-3/4	JLG-70023986	231.82
Before 0160033659, Including 0160033452							
91573014			P-UB-14	2-1/2	5-3/4	JLG-7026944	310.36
CROWD							
0160033661-0160035822							
91573029			P-UB-14	3	4-3/4	JLG-70021598	257.60
0160041982-							
1001122483			P-UB-14	3	4-3/4	JLG-1001122496	189.42
Before 0160033661							
91573008			P-UB-14	3	4-3/4	JLG-7026467	302.85
Before 0160045636, Excluding 0160045082, 0160045094, 0160045209, 0160045295, 0160045296, 0160045449							
1001101286			P-UB-14	3	4-3/4	JLG-70021598	257.60
1001116448			P-UB-14	75 mm	120 mm	JLG-70023387	144.52
EXTEND/RETRACT							
0160045636-, Including 0160045082, 0160045094, 0160045209, 0160045295, 0160045296, 0160045449							
1001122483			P-UB-14	3	4-3/4	JLG-1001122496	189.42
FRAME LEVEL							
0160045636-, Including 0160045082, 0160045094, 0160045209, 0160045295, 0160045296, 0160045449							
1001116440			P-UB-14	2	4	JLG-70023943	198.83
1001152273			P-UB-14	2	4	JLG-70023943	198.83
GRAPPLE BUCKET							
0160045636-, Including 0160045082, 0160045094, 0160045209, 0160045295, 0160045296, 0160045449							
70021393			I-U-10	1-1/4	2-1/2	JLG-70021452	12.62
Before 0160045636, Excluding 0160045082, 0160045094, 0160045209, 0160045295, 0160045296, 0160045449							
70021393			I-U-10	1-1/4	2-1/2	JLG-70021452	12.62
OUTRIGGER							
0160017504-0160039813, Excluding 0160017537							
1001001211	Perkins Engine		P-UB-1	2-1/2		JLG-7029980	48.44
1001001211	Perkins Engine		N-N-10		5	JLG-7029959	17.37
91165040	Deere & Cummins Engine		P-UB-1	2-1/2		JLG-7029980	48.44
91165040	Deere & Cummins Engine		N-N-10		5	JLG-7029959	17.37
0160039838-							
91165040			I-U-10	2-1/2	5	JLG-70023899	95.88
0160045636-, Including 0160045082, 0160045094, 0160045209, 0160045295, 0160045296, 0160045449							
1001116439			I-U-10	2-1/2	5	JLG-70023899	95.88
Before 0160017504, Including 0160017537							
1001001211	Perkins Engine		P-UB-10	2-1/2	5	JLG-91144004	65.47
91165040	Deere & Cummins Engine		P-UB-10	2-1/2	5	JLG-91144004	65.47
SIDE SHIFT CARRIAGE							
0160045636-, Including 0160045082, 0160045094, 0160045209, 0160045295, 0160045296, 0160045449							
70024539			I-U-13	25 mm	63 mm	JLG-70024549	78.26

Replacement Kits For



Telehandlers							
APPLICATION	CYL #	Misc-Parts, Instructions, etc.	CODE	ROD	BORE	KIT #	List \$
MODEL G10-55A							
SIDE SHIFT CARRIAGE							
0160045636-,Including 0160045082, 0160045094, 0160045209, 0160045295, 0160045296, 0160045449							
70024539			I-U-13	25 mm	63 mm	JLG-70024549	78.26
SIDE TILT CARRIAGE							
0160045636-,Including 0160045082, 0160045094, 0160045209, 0160045295, 0160045296, 0160045449							
1001090134			I-U-10	1-3/4	3-1/2	JLG-70022041	30.06
Before 0160045636,Excluding 0160045082, 0160045094, 0160045209, 0160045295, 0160045296, 0160045449							
1001090134			I-U-10	1-3/4	3-1/2	JLG-70022041	30.06
STABILIZER							
016003361-0160039837							
91563272			P-UB-14	2	4	JLG-70021639	188.66
0160039838-							
1001116443			P-UB-14	2	4	JLG-70023943	198.83
0160045636-,Including 0160045082, 0160045094, 0160045209, 0160045295, 0160045296, 0160045449							
1001116443			P-UB-14	2	4	JLG-70023943	198.83
1001152274			P-UB-14	2	4	JLG-70023943	198.83
Before 0160033661							
91563006			P-UB-14	2	4	JLG-7026934	209.07
SWAY							
0160033661-0160037690							
91563268			P-UB-14	2	4	JLG-70021639	188.66
0160037690-							
1001101281			P-UB-14	2	4	JLG-70021639	188.66
Before 0160033661							
91563005			P-UB-14	2	4	JLG-7026934	209.07
SWING CARRIAGE							
0160045636-,Including 0160045082, 0160045094, 0160045209, 0160045295, 0160045296, 0160045449							
1001103182			I,P-U-10	1-1/2	3	JLG-70021453	43.77
Before 0160045636,Excluding 0160045082, 0160045094, 0160045209, 0160045295, 0160045296, 0160045449							
1001103182			I-U-10	1-1/2	3-1/2	JLG-2915023	43.65
7029995			I,P-U-10	1-1/2	3	JLG-70021453	43.77
TILT							
01600035822-0160037689							
1001101287			P-UB-14	2-1/2	5-3/4	JLG-70021574	410.08
0160033661-0160035822							
91573030			P-UB-14	2-1/2	5-3/4	JLG-70021574	410.08
0160037689-							
1684539			P-U-14	2-1/2	5-3/4	JLG-70022093	235.03
0160045636-,Including 0160045082, 0160045094, 0160045209, 0160045295, 0160045296, 0160045449							
1001152271			P-U-14	2-1/2	5-3/4	JLG-70022093	235.03
1684539			P-U-14	2-1/2	5-3/4	JLG-70022093	235.03
Before 0160033661							
91573013			P-UB-14	2-1/2	5-3/4	JLG-7026944	310.36
MODEL G12-55A							
BOOM							
1684532							
			P-UB-14	3-1/2	5-1/2	JLG-70021632	364.69
-0160033659,Excluding 0160033452							
91563214			P-UB-10	3-1/2	6	JLG-7026969	229.81
0160033659-0160035789							
91563270			P-UB-10	3-1/2	6	JLG-70021641	230.70
0160041581-							
1001121417			P-UB-10	3-1/2	6	JLG-1001121434-NG	206.73

JLG

Replacement Kits For



Telehandlers							
APPLICATION	CYL #	Misc-Parts, Instructions, etc.	CODE	ROD	BORE	KIT #	List \$
MODEL G12-55A							
BOOM							
-0160045636, Excluding 0160045082, 0160045094, 0160045209, 0160045295, 0160045296, 0160045449							
1001101283			P-UB-10	3-1/2	6	JLG-70021641	230.70
1001116446			P-UB-14	90 mm	150 mm	JLG-70023397	137.45
0160045636-, Including 0160045082, 0160045094, 0160045209, 0160045295, 0160045296, 0160045449							
1001121417			P-UB-10	3-1/2	6	JLG-1001121434-NG	206.73
1001152295			P-UB-14	3-1/2	6	JLG-1001152299	203.73
COMPENSATING							
-0160033659, Excluding 0160033452							
91563138			P-UB-10	2-1/2	6	JLG-7026475	197.00
0160033659-0160037689, Including 0160033452							
91563269			P-UB-10	2-1/2	6	JLG-70021548	196.37
0160037689-0160041564							
1001101282			P-UB-10	2-1/2	6	JLG-70021548	196.37
0160041565-							
1001116441			P-U-10	2-1/2	6	JLG-70023991	221.95
0160045636-, Including 0160045082, 0160045094, 0160045209, 0160045295, 0160045296, 0160045449							
1001116441			P-U-10	2-1/2	6	JLG-70023991	221.95
1001152296			P-U-10	2-1/2	6	JLG-70023991	221.95
CROWD							
-0160033659, Excluding 0160033452							
91573008			P-UB-14	3	4-3/4	JLG-7026467	302.85
0160033659-0160035879, Including 0160033452							
91573029			P-UB-14	3	4-3/4	JLG-70021598	257.60
0160041982-							
1001122483			P-UB-14	3	4-3/4	JLG-1001122496	189.42
-0160045636, Excluding 0160045082, 0160045094, 0160045209, 0160045295, 0160045296, 0160045449							
1001101286			P-UB-14	3	4-3/4	JLG-70021598	257.60
1001116448			P-UB-14	75 mm	120 mm	JLG-70023387	144.52
EXTEND/RETRACT							
1684500			P-UB-14	3	4-3/4	JLG-70021598	257.60
0160045636-, Including 0160045082, 0160045094, 0160045209, 0160045295, 0160045296, 0160045449							
1001122483			P-UB-14	3	4-3/4	JLG-1001122496	189.42
1001152272			P-UB-14	3	4-3/4	JLG-1001152279	212.03
FRAME LEVEL							
1001101281			P-UB-14	2	4	JLG-70021639	188.66
0160045636-, Including 0160045082, 0160045094, 0160045209, 0160045295, 0160045296, 0160045449							
1001116440			P-UB-14	2	4	JLG-70023943	198.83
1001152273			P-UB-14	2	4	JLG-70023943	198.83
GRAPPLE BUCKET							
70021393			I-U-10	1-1/4	2-1/2	JLG-70021452	12.62
-0160045636, Excluding 0160045082, 0160045094, 0160045209, 0160045295, 0160045296, 0160045449							
70021393			I-U-10	1-1/4	2-1/2	JLG-70021452	12.62
0160045636-, Including 0160045082, 0160045094, 0160045209, 0160045295, 0160045296, 0160045449							
70021393			I-U-10	1-1/4	2-1/2	JLG-70021452	12.62
OUTRIGGER							
1001001211			P-UB-10	2-1/2	5	JLG-91144004	65.47
-0160017504, Including 0160017537							
1001001211	Perkins Engine		P-UB-10	2-1/2	5	JLG-91144004	65.47
91165040	Deere & Cummins Engine		P-UB-10	2-1/2	5	JLG-91144004	65.47

JLG

Telehandlers							
APPLICATION	CYL #	Misc-Parts, Instructions, etc.	CODE	ROD	BORE	KIT #	List \$
MODEL G12-55A							
OUTRIGGER							
0160017504-0160039813, Excluding 0160017537							
1001001211		Perkins Engine	P-UB-1	2-1/2		JLG-7029980	48.44
1001001211		Perkins Engine	N-N-10		5	JLG-7029959	17.37
91165040		Deere & Cummins Engine	P-UB-1	2-1/2		JLG-7029980	48.44
91165040		Deere & Cummins Engine	N-N-10		5	JLG-7029959	17.37
0160039838-							
91165040			I-U-10	2-1/2	5	JLG-70023899	95.88
0160045636-,Including 0160045082, 0160045094, 0160045209, 0160045295, 0160045296, 0160045449							
1001116439			I-U-10	2-1/2	5	JLG-70023899	95.88
SIDE SHIFT CARRIAGE							
-0160045636,Excluding 0160045082, 0160045094, 0160045209, 0160045295, 0160045296, 0160045449							
70024539			I-U-13	25 mm	63 mm	JLG-70024549	78.26
0160045636-,Including 0160045082, 0160045094, 0160045209, 0160045295, 0160045296, 0160045449							
70024539			I-U-13	25 mm	63 mm	JLG-70024549	78.26
SIDE TILT CARRIAGE							
1001090134			I-U-10	1-3/4	3-1/2	JLG-70022041	30.06
-0160045636,Excluding 0160045082, 0160045094, 0160045209, 0160045295, 0160045296, 0160045449							
1001090134			I-U-10	1-3/4	3-1/2	JLG-70022041	30.06
0160045636-,Including 0160045082, 0160045094, 0160045209, 0160045295, 0160045296, 0160045449							
1001090134			I-U-10	1-3/4	3-1/2	JLG-70022041	30.06
STABILIZER							
1001101289			P-UB-14	2	4	JLG-70021639	188.66
-0160033659,Excluding 0160033452							
91563006			P-UB-14	2	4	JLG-7026934	209.07
0160033659-0160039838							
91563272			P-UB-14	2	4	JLG-70021639	188.66
0160039839-							
1001116443			P-UB-14	2	4	JLG-70023943	198.83
0160045636-,Including 0160045082, 0160045094, 0160045209, 0160045295, 0160045296, 0160045449							
1001116443			P-UB-14	2	4	JLG-70023943	198.83
1001152274			P-UB-14	2	4	JLG-70023943	198.83
SWAY							
-0160033659,Excluding 0160033452							
91563005			P-UB-14	2	4	JLG-7026934	209.07
0160033659-0160037689,Including 0160033452							
91563268			P-UB-14	2	4	JLG-70021639	188.66
0160037689-							
1001101281			P-UB-14	2	4	JLG-70021639	188.66
SWING CARRIAGE							
1001103182			I-U-10	1-1/2	3-1/2	JLG-8035830	52.82
7029995			I,P-U-10	1-1/2	3	JLG-70021453	43.77
-0160045636,Excluding 0160045082, 0160045094, 0160045209, 0160045295, 0160045296, 0160045449							
1001103182			I-U-10	1-1/2	3-1/2	JLG-2915023	43.65
7029995			I,P-U-10	1-1/2	3	JLG-70021453	43.77
0160045636-,Including 0160045082, 0160045094, 0160045209, 0160045295, 0160045296, 0160045449							
1001103182			I,P-U-10	1-1/2	3	JLG-70021453	43.77
TILT							
1001106861			P-U-10	2.500	6.000	JLG-70022098	220.58
-0160033659,Excluding 0160033452							
91563137			P-UB-10	2-1/2	6	JLG-7026475	197.00
0160033659-0160035879,Including 0160033452							
91563271			P-UB-10	2-1/2	6	JLG-70021548	196.37

Replacement Kits For



Telehandlers							
APPLICATION	CYL #	Misc-Parts, Instructions, etc.	CODE	ROD	BORE	KIT #	List \$
MODEL G12-55A							
TILT							
-0160033661							
91573013			P-UB-14	2-1/2	5-3/4	JLG-7026944	310.36
0160035879-0160037689							
1001106331			P-UB-10	2-1/2	6	JLG-70021548	196.37
0160037689-							
1684538			P-U-10	2.500	6.000	JLG-70022098	220.58
0160045636-,Including 0160045082, 0160045094, 0160045209, 0160045295, 0160045296, 0160045449							
1001152298			P-U-10	2.500	6.000	JLG-70022098	220.58
1684538			P-U-10	2.500	6.000	JLG-70022098	220.58
MODEL SKYTRAK 6036							
ATTACHMENT TILT							
0160045066-,Including 42742,42747,42755							
2716614			I-U-10,14	2	5	JLG-8035720	202.57
0160045066-0160069718; incl. 0160042742, 0160042747 & 0160042755; excl. 0160065792, 0160065798, 0160065824							
2716614			I-U-10,14	2	5	JLG-8035720	202.57
0160069720-; incl. 0160065792, 016005798, 0160065824, 0160069383 & 0160069411							
2716614			I-U-10,14	2	5	JLG-8035720	202.57
-14833							
2711703			I-U-10,14	2	5	JLG-8035720	202.57
14834-19988 & 0160002345-0160044900							
2716614			I-U-10,14	2	5	JLG-8035720	202.57
14834-19988,0160002345-0160044900							
2716614			I-U-10,14	2	5	JLG-8035720	202.57
BOOM EXTEND							
0160045066-,Including 42742,42747,42755							
2717008			I-UB-10	3	4-1/2	JLG-8036502	97.98
0160045066-0160069718; incl. 0160042742, 0160042747 & 0160042755; excl. 0160065792, 0160065798, 0160065824							
2717008			I-UB-10	3	4-1/2	JLG-8036502	97.98
0160069720-; incl. 0160065792, 016005798, 0160065824, 0160069383 & 0160069411							
1001156013			I-UB-10	3	4-1/2	JLG-8036502	97.98
-14833							
2711693	TJB Stamping		I-UB-10	3	4-1/2	JLG-8036294	128.74
2711693	BHE Stamping		P-U-10	3	4-1/2	JLG-8205667	41.52
15223-19988,0160002345-							
2716571			I-UB-10	3	4-1/2	JLG-8036294	128.74
15223-19988; 0160002345-							
2716571			I-UB-10	3	4-1/2	JLG-8036294	128.74
BOOM LIFT							
0160004110 thru 0160015020 incl. 0160003491 & 0160003492							
2717257			I-U-14	2-3/4	5	JLG-8036782	173.76
0160004110-0160015020,Including 0160003491,3492							
2717257			I-U-14	2-3/4	5	JLG-8036782	173.76
0160015052-							
1684464			I-U-14	2-3/4	5	JLG-8036782	173.76
0160045066-,Including 42742,42747,42755							
1684464			I-U-14	2-3/4	5	JLG-8036782	173.76
0160045066-0160069718; incl. 0160042742, 0160042747 & 0160042755; excl. 0160065792, 0160065798, 0160065824 excluding 0160065792, 0160065798, 0160065824							
1684464			I-U-14	2-3/4	5	JLG-8036782	173.76
0160069720-; incl. 0160065792, 016005798, 0160065824, 0160069383 & 0160069411							
100156164			P-U-10	85 mm	120 mm	JLG-70026044	165.54

JLG

Telehandlers							
APPLICATION	CYL #	Misc-Parts, Instructions, etc.	CODE	ROD	BORE	KIT #	List \$
MODEL SKYTRAK 6036							
BOOM LIFT							
-14833							
2711543		BHE Stamping	P-U-10	3	5-1/2	JLG-8205668	62.12
2713793		TJB Stamping	I-U-10	3	5-1/2	JLG-8032718	42.61
7129252		TJB Stamping	I-U-10	3	5-1/2	JLG-8032718	42.61
7129252; 2713793			I-U-10	3	5-1/2	JLG-8032718	42.61
14834-19297							
2716616			I-U-14	2-3/4	5	JLG-8036132	216.60
19298-19988,0160002345-0160004091,Excluding 0160003491,3492							
2717196			I-U-14	2-3/4	5	JLG-8036782	173.76
19298-19988; 0160002345-0160004091; excluding 0160003491 & 0160003492							
2717196			I-U-14	2-3/4	5	JLG-8036782	173.76
COMPENSATION							
0160069720-; incl. 0160065792, 0160065798, 0160065824, 0160069383 & 0160069411							
1001196110			I-U-14	1-1/2	3-3/4	JLG-70028159	80.41
FRAME LEVEL							
0160045066-;Including 42742,42747,42755							
1001091901			I-U-14	2-1/4	4-1/2	JLG-8035326	232.45
0160045066-0160069718; incl. 0160042742, 0160042747 & 0160042755; excl. 0160065792, 0160065798, 0160065824							
1001091901			I-U-14	2-1/4	4-1/2	JLG-8035326	232.45
0160069720-; incl. 0160065792, 016005798, 0160065824, 0160069383 & 0160069411							
1001091901			I-U-14	2-1/4	4-1/2	JLG-8035326	232.45
FRAME SWAY							
0160005638-							
2716563			I-U-14	2-1/4	4-1/2	JLG-8035326	232.45
14384-19988,0160002345-0160004091,Excluding 0160003491,3492							
2716563			I-U-14	2-1/4	4-1/2	JLG-8035326	232.45
14384-19988; 0160002345-0160004091; excl. 0160003491 & 0160003492							
2716563; 1001091901			I-U-14	2-1/4	4-1/2	JLG-8035326	232.45
FRAME TILT							
-14833							
2711673			I-U-10	2	115 mm	JLG-8032730	28.69
GRAPPLE BUCKET							
0160045066-;Including 42742,42747,42755							
70021393			I-U-10	1-1/4	2-1/2	JLG-70021452	12.62
0160045066-0160069718; incl. 0160042742, 0160042747 & 0160042755; excl. 0160065792, 0160065798, 0160065824							
70021393			I-U-10	1-1/4	2-1/2	JLG-70021452	12.62
0160069720-; incl. 0160065792, 016005798, 0160065824, 0160069383 & 0160069411							
70021393			I-U-10	1-1/4	2-1/2	JLG-70021452	12.62
14834-19988 & 0160002345-0160044900							
70021393			I-U-10	1-1/4	2-1/2	JLG-70021452	12.62
SIDE SHIFT CARRIAGE							
0160037788-							
70024539			I-U-13	25 mm	63 mm	JLG-70024549	78.26
0160045066-;Including 42742,42747,42755							
70024539			I-U-13	25 mm	63 mm	JLG-70024549	78.26
0160045066-0160069718; incl. 0160042742, 0160042747 & 0160042755; excl. 0160065792, 0160065798, 0160065824							
70024539			I-U-13	25 mm	63 mm	JLG-70024549	78.26
0160069720 - ; incl. 0160065792, 016005798, 0160065824, 0160069383 & 0160069411							
70024539			I-U-13	25 mm	63 mm	JLG-70024549	78.26
SIDE TILT CARRIAGE							
0160045066-;Including 42742,42747,42755							
1001090134			I-U-10	1-3/4	3-1/2	JLG-70022041	30.06

Telehandlers							
APPLICATION	CYL #	Misc-Parts, Instructions, etc.	CODE	ROD	BORE	KIT #	List \$
MODEL SKYTRAK 6036							
SIDE TILT CARRIAGE							
-0160066473; excl. 0160021284							
1001090134			I-U-10	1-3/4	3-1/2	JLG-70022041	30.06
0160066473-; incl. 0160021284							
1001163414			P-U-14	45 mm	90 mm	JLG-70026062	154.42
0160069720-; incl. 0160065792, 016005798, 0160065824, 0160069383 & 0160069411							
1001163414			P-U-14	45 mm	90 mm	JLG-70026062	154.42
-14833							
2711613			I-U-14	1-3/4	4	JLG-70028986	76.96
2711613			I-U-10,14	1-3/4	4	JLG-8035831	117.00
14834-19988 & 0160002345-0160044900							
1001090134			I-U-10	1-3/4	3-1/2	JLG-70022041	30.06
1001163414			P-U-14	45 mm	90 mm	JLG-70026062	154.42
SLAVE							
0160004110-; Including 0160003491,3492							
2717260			I-U-14	1-1/2	3-3/4	JLG-7028739	82.93
0160004110-; incl. 0160003491 & 0160003492							
2717260			I-U-14	1-1/2	3-3/4	JLG-7028739	82.93
-14833							
2716193			I-U-10,14	2	5	JLG-8035720	202.57
14834-19297							
2716615			I-U-14	1-1/2	3-3/4	JLG-8036131	146.08
19298-19988,0160002345-0160004088,Excluding 0160003491,3492							
2717197			I-U-14	1-1/2	3-3/4	JLG-7028739	82.93
19298-19988; 0160002345-0160004088; excl. 0160003491 & 0160003492							
2717197			I-U-14	1-1/2	3-3/4	JLG-7028739	82.93
STABIL-TRAK							
0160045066-; Including 42742,42747,42755							
2717198			I-U-14	2-1/4	4-1/2	JLG-8036747	161.61
0160045066-0160069718; incl. 0160042742, 0160042747 & 0160042755; excl. 0160065792, 0160065798, 0160065824							
2717198			I-U-14	2-1/4	4-1/2	JLG-8036747	161.61
0160069720-; incl. 0160065792, 016005798, 0160065824, 0160069383 & 0160069411							
2717198			I-U-14	2-1/4	4-1/2	JLG-8036747	161.61
STEERING							
-0160038390,Including 38848,38853,38855; Axle -829693							
1321149			I-U-10	50 mm	100 mm	JLG-8035981	176.44
-0160038390,Including 38848,38853,38855; Axle 829694-							
70021617			I-U-10	50 mm	100 mm	JLG-70021495	179.29
0160038391-; Excluding 38848,38853,38855							
70022173			I-U-10	50 mm	100 mm	JLG-70022178	146.38
0160045066-; Including 42742,42747,42755							
70022173			I-U-10	50 mm	100 mm	JLG-70022178	146.38
-3101							
8032963	Right Front, Left Rear		I-U-10	1-1/8	2-1/4	JLG-8033489	59.09
8032963; 8032694			I-U-10	1-1/8	2-1/4	JLG-8033489	59.09
8032964	Left Front, Right Rear		I-U-10	1-1/8	2-1/4	JLG-8033489	59.09
3102-							
8034685	Right Front, Left Rear		P-U-10	1-1/8	2-1/4	JLG-8034690	67.21
8034685; 8034686			P-U-10	1-1/8	2-1/4	JLG-8034690	67.21
8034686	Left Front, Right Rear		P-U-10	1-1/8	2-1/4	JLG-8034690	67.21
SWING CARRIAGE							
0160045066-; Including 42742,42747,42755							
1001103182			I-U-10	1-1/2	3-1/2	JLG-2915023	43.65

Telehandlers							
APPLICATION	CYL #	Misc-Parts, Instructions, etc.	CODE	ROD	BORE	KIT #	List \$
MODEL SKYTRAK 6036							
SWING CARRIAGE							
0160045066-0160069718; incl. 0160042742, 0160042747 & 0160042755; excl. 0160065792, 0160065798, 0160065824							
1001103182			I-U-10	1-1/2	3-1/2	JLG-2915023	43.65
0160069720-; incl. 0160065792, 016005798, 0160065824, 0160069383 & 0160069411							
1001103182			I-U-10	1-1/2	3-1/2	JLG-2915023	43.65
-14833							
2713363			I-U-10	1-1/2	3-1/2	JLG-70028988	33.43
2713363			I-U-10,14	1-3/4	4	JLG-8035831	117.00
14834-1988 & 0160002345-0160044900							
1001103182			I-U-10	1-1/2	3-1/2	JLG-2915023	43.65
TILT COMPENSATING							
0160045066-0160069718; incl. 0160042742, 0160042747 & 0160042755; excl. 0160065792, 0160065798, 0160065824							
2717260			I-U-14	1-1/2	3-3/4	JLG-7028739	82.93
TILT COMPENSATING (SLAVE)							
0160045066-, Including 42742,42747,42755							
2717260			I-U-14	1-1/2	3-3/4	JLG-7028739	82.93
MODEL SKYTRAK 6042							
ATTACHMENT TILT							
0160045066-, Including 42742,42747,42755							
2716614			I-U-10,14	2	5	JLG-8035720	202.57
0160045066-0160069718; incl. 0160042742, 0160042747 & 0160042755; excl. 0160065792, 0160065798, 0160065824							
2716614			I-U-10,14	2	5	JLG-8035720	202.57
0160069720-; incl. 0160065792, 0160065798, 0160065824, 0160069383 & 0160069411							
2716614			I-U-10,14	2	5	JLG-8035720	202.57
17019-19897 & 0160002408-0160045063; excl. 0160042742, 0160042747 & 0160042755							
2716614			I-U-10,14	2	5	JLG-8035720	202.57
17019-19897,0160002408-45063,Excluding 42742,42747,42755							
2716614			I-U-10,14	2	5	JLG-8035720	202.57
BOOM EXTEND							
0160045066-, Including 42742,42747,42755							
2717008			I-UB-10	3	4-1/2	JLG-8036502	97.98
0160045066-0160069718; incl. 0160042742, 0160042747 & 0160042755; excl. 0160065792, 0160065798, 0160065824							
2717008			I-UB-10	3	4-1/2	JLG-8036502	97.98
0160069720-; incl. 0160065792, 016005798, 0160065824, 0160069383 & 0160069411							
1001156012			I-UB-10	3	4-1/2	JLG-8036502	97.98
1001180764			I-U-14	75 mm	115 mm	JLG-70027704	106.03
17019-19897 & 0160002408; excl. 0160042742, 0160042747 & 0160042755							
2717008			I-UB-10	3	4-1/2	JLG-8036502	97.98
17019-19897,0160002408-45063,Excluding 42742,42747,42755							
2717008			I-UB-10	3	4-1/2	JLG-8036502	97.98
BOOM LIFT							
0160003879-0160027650							
2717262; 1684455			I-U-14	2-3/4	5	JLG-8036132	216.60
0160003879-15022							
2717262			I-U-14	2-3/4	5	JLG-8036132	216.60
0160013567-27650							
1684455			I-U-14	2-3/4	5	JLG-8036132	216.60
0160027677-							
1684537			I-U-14	2-3/4	5	JLG-8036132	216.60
0160045066-, Including 42742,42747,42755							
1684537			I-U-14	2-3/4	5	JLG-8036132	216.60
0160045066-0160069718; incl. 0160042742, 0160042747 & 0160042755; excl. 0160065792, 0160065798, 0160065824							
1684537			I-U-14	2-3/4	5	JLG-8036132	216.60

Replacement Kits For



Telehandlers							
APPLICATION	CYL #	Misc-Parts, Instructions, etc.	CODE	ROD	BORE	KIT #	List \$
MODEL SKYTRAK 6042							
BOOM LIFT							
0160069720-; incl. 0160065792, 016005798, 0160065824, 0160069383 & 0160069411							
1001156174			I-U-14	3-1/4	5	JLG-70026022	205.73
17019-19897, 0160002408-0160003867							
2717007			I-U-14	2-3/4	5	JLG-8036132	216.60
17019-19897,0160002408-3867							
2717007			I-U-14	2-3/4	5	JLG-8036132	216.60
COMPENSATION							
0160069720-; incl. 0160065792, 016005798, 0160065824, 0160069383 & 0160069411							
1001196110			I-U-14	1-1/2	3-3/4	JLG-70028159	80.41
FRAME LEVEL							
0160045066-,Including 42742,42747,42755							
2716563			I-U-14	2-1/4	4-1/2	JLG-8035326	232.45
0160045066-0160069718; incl. 0160042742, 0160042747 & 0160042755; excl. 0160065792, 0160065798, 0160065824							
1001180762			P-UB-14	60 mm	115 mm	JLG-70027696	171.17
2716563			I-U-14	2-1/4	4-1/2	JLG-8035326	232.45
0160069720-; incl. 0160065792, 016005798, 0160065824, 0160069383 & 0160069411							
1001180762			P-UB-14	60 mm	115 mm	JLG-70027696	171.17
2716563			I-U-14	2-1/4	4-1/2	JLG-8035326	232.45
FRAME SWAY							
0160005696-							
2716563			I-U-14	2-1/4	4-1/2	JLG-8035326	232.45
17019-19897,0160002408-3867							
2716563			I-U-14	2-1/4	4-1/2	JLG-8035326	232.45
17019-19897; 0160002408-0160003867							
2716563			I-U-14	2-1/4	4-1/2	JLG-8035326	232.45
GRAPPLE BUCKET							
0160045066-,Including 42742,42747,42755							
70021393			I-U-10	1-1/4	2-1/2	JLG-70021452	12.62
0160045066-0160069718; incl. 0160042742, 0160042747 & 0160042755; excl. 0160065792, 0160065798, 0160065824							
70021393			I-U-10	1-1/4	2-1/2	JLG-70021452	12.62
0160069720-; incl. 0160065792, 016005798, 0160065824, 0160069383 & 0160069411							
70021393			I-U-10	1-1/4	2-1/2	JLG-70021452	12.62
17019-19897 & 0160002408-0160045063; excl. 0160042742, 0160042747 & 0160042755							
70021393			I-U-10	1-1/4	2-1/2	JLG-70021452	12.62
17019-19897,0160002408-45063,Excluding 42742,42747,42755							
70021393			I-U-10	1-1/4	2-1/2	JLG-70021452	12.62
SIDE SHIFT CARRIAGE							
0160045066-,Including 42742,42747,42755							
70024539			I-U-13	25 mm	63 mm	JLG-70024549	78.26
0160045066-0160069718; incl. 0160042742, 0160042747 & 0160042755; excl. 0160065792, 0160065798, 0160065824							
70024539			I-U-13	25 mm	63 mm	JLG-70024549	78.26
0160069720-; incl. 0160065792, 016005798, 0160065824, 0160069383 & 0160069411							
70024539			I-U-13	25 mm	63 mm	JLG-70024549	78.26
17019 - 19897 & 0160002408 - 0160045063; excluding 0160042742, 0160042747 & 0160042755							
70024539			I-U-13	25 mm	63 mm	JLG-70024549	78.26
SIDE TILE CARRIAGE							
17019 - 19897 & 0160002408 - 0160045063; excluding 0160042742, 0160042747 & 0160042755							
1001163414			P-U-14	45 mm	90 mm	JLG-70026062	154.42
SIDE TILT CARRIAGE							
0160045066-,Including 42742,42747,42755							
1001090134			I-U-10	1-3/4	3-1/2	JLG-70022041	30.06
-0160066473; excl. 0160021284							
1001090134			I-U-10	1-3/4	3-1/2	JLG-70022041	30.06

JLG

Replacement Kits For



JLG

Telehandlers							
APPLICATION	CYL #	Misc-Parts, Instructions, etc.	CODE	ROD	BORE	KIT #	List \$
MODEL SKYTRAK 6042							
SIDE TILT CARRIAGE							
0160066473-; incl. 0160021284							
1001163414			P-U-14	45 mm	90 mm	JLG-70026062	154.42
0160069720-; incl. 0160065792, 016005798, 0160065824, 0160069383 & 0160069411							
1001163414			P-U-14	45 mm	90 mm	JLG-70026062	154.42
17019 - 19897 & 0160002408 - 0160045063; excluding 0160042742, 0160042747 & 0160042755							
1001090134			I-U-10	1-3/4	3-1/2	JLG-70022041	30.06
17019-19897,0160002408-45063,Excluding 42742,42747,42755							
1001090134			I-U-10	1-3/4	3-1/2	JLG-70022041	30.06
SLAVE							
0160003879-							
2717260			I-U-14	1-1/2	3-3/4	JLG-7028739	82.93
17019-19299							
2716615			I-U-14	1-1/2	3-3/4	JLG-8036131	146.08
19300-19897,0160002408-3867							
2717197			I-U-14	1-1/2	3-3/4	JLG-7028739	82.93
19300-19897; 0160002408-0160003867							
2717197			I-U-14	1-1/2	3-3/4	JLG-7028739	82.93
STABIL-TRAK							
0160002408-; 19300-19897							
2717198			I-U-14	2-1/4	4-1/2	JLG-8036747	161.61
0160045066-;Including 42742,42747,42755							
2717198			I-U-14	2-1/4	4-1/2	JLG-8036747	161.61
0160045066-0160069718; incl. 0160042742, 0160042747 & 0160042755; excl. 0160065792, 0160065798, 0160065824							
2717198			I-U-14	2-1/4	4-1/2	JLG-8036747	161.61
0160069720-; incl. 0160065792, 016005798, 0160065824, 0160069383 & 0160069411							
2717198			I-U-14	2-1/4	4-1/2	JLG-8036747	161.61
17019-19299							
2716564			I-U-14	2-1/4	4-1/2	JLG-8035326	232.45
19300-19897,0160002408-							
2717198			I-U-14	2-1/4	4-1/2	JLG-8036747	161.61
STEERING FRONT							
-0160038918,Excluding 0160033533; AXLE -829693							
1321149			I-U-10	50 mm	100 mm	JLG-8035981	176.44
-0160038918,Excluding 0160033533; AXLE 829694-							
70021617			I-U-10	50 mm	100 mm	JLG-70021495	179.29
0160038919-;Including 33533							
70022173			I-U-10	50 mm	100 mm	JLG-70022178	146.38
SWING CARRIAGE							
0160045066-;Including 42742,42747,42755							
1001103182			I-U-10	1-1/2	3-1/2	JLG-2915023	43.65
0160045066-0160069718; incl. 0160042742, 0160042747 & 0160042755; excl. 0160065792, 0160065798, 0160065824							
1001103182			I-U-10	1-1/2	3-1/2	JLG-2915023	43.65
0160069720-; incl. 0160065792, 016005798, 016005798, 0160065824, 0160069383 & 0160069411							
1001103182			I-U-10	1-1/2	3-1/2	JLG-2915023	43.65
17019 - 19897 & 0160002408 - 0160045063; excluding 0160042742, 0160042747 & 0160042755							
1001103182			I-U-10	1-1/2	3-1/2	JLG-2915023	43.65
17019-19897,0160002408-45063,Excluding 42742,42747,42755							
1001103182			I-U-10	1-1/2	3-1/2	JLG-2915023	43.65
TILT COMPENSATING (SLAVE)							
0160045066-;Including 42742,42747,42755							
2717260			I-U-14	1-1/2	3-3/4	JLG-7028739	82.93
0160045066-0160069718; incl. 0160042742, 0160042747 & 0160042755; excl. 0160065792, 0160065798, 0160065824							
2717260			I-U-14	1-1/2	3-3/4	JLG-7028739	82.93

Replacement Kits For



Telehandlers							
APPLICATION	CYL #	Misc-Parts, Instructions, etc.	CODE	ROD	BORE	KIT #	List \$
MODEL SKYTRAK 6042							
TILT COMPENSATING (SLAVE)							
0160069720-; incl. 0160065792, 016005798, 0160065824, 0160069383 & 0160069411							
	2717260		I-U-14	1-1/2	3-3/4	JLG-7028739	82.93
MODEL SKYTRAK 8042							
ATTACHMENT TILT							
	2712973		I-U-4,14	2-1/2	6	JLG-8035780	266.61
0160004670-							
	2716618		I-U-4,14	2-1/2	6	JLG-8035780	266.61
0160045250-,Including 42754,42762,42877,42911,43185,43220,43244,Excluding 45255							
	2716618		I-U-4,14	2-1/2	6	JLG-8035780	266.61
0160045250-0160069718; incl. 0160042754, 0160042762, 0160042877, 0160042911, 0160043185, 0160043220 & 0160043244; excl. 0160045255, 0160065791, 016005796, 0160065825, 0160065826, 0160069336, 0160069359, 0160069441							
	2716618		I-U-4,14	2-1/2	6	JLG-8035780	266.61
-0160078728							
	2716618		I-U-4,14	2-1/2	6	JLG-8035780	266.61
-13197							
	2712973		I-U-4,14	2-1/2	6	JLG-8035780	266.61
13198-19791							
	2716618		I-U-4,14	2-1/2	6	JLG-8035780	266.61
19792-19987,0160002332-4653							
	2717203		I-U-14	2-1/2	6	JLG-8036786	168.02
19792-19987; 0160002332-0160004653							
	2717203		I-U-14	2-1/2	6	JLG-8036786	168.02
BOOM EXTEND							
	2716173		I-UB-10, 14	3	5	JLG-70028961	236.33
0160045250-,Including 42754,42762,42877,42911,43185,43220,43244,Excluding 45255							
	2716173		I-UB-10,14	3	5	JLG-8036295	236.33
0160045250-0160069718; incl. 0160042754, 0160042762, 0160042877, 0160042911, 0160043185, 0160043220 & 0160043244; excl. 0160045255, 0160065791, 016005796, 0160065825, 0160065826, 0160069336, 0160069359, 0160069441							
	2716173		I-UB-10,14	3	5	JLG-8036295	236.33
0160069722-; incl. 0160065791, 0160065796, 0160065825, 0160065826, 0160069336, 0160069359, 0160069441							
	1001156011		P-U-10	90 mm	120 mm	JLG-70026052	167.77
-13197							
	2716173		I-UB-10,14	3	5	JLG-8036295	236.33
13198-19987 & 0160002332-0160045249; incl. 0160045255; excl. 0160042754; 0160042762; 0160042877, 0160042911, 0160043185, 0160043220 & 0160043244							
	2717052		I-UB-10,14	3	5	JLG-8036295	236.33
13198-19987,0160002332-							
	2716173		I-UB-10,14	3	5	JLG-8036295	236.33
13198-19987; 016002332-							
	2716173		I-UB-10,14	3	5	JLG-8036295	236.33
BOOM LIFT							
0160004670-0160014285							
	2717259		I-U-14	3	6	JLG-8036746	191.51
0160004670-14285							
	2717259		I-U-14	3	6	JLG-8036746	191.51
0160015042-0160030716							
	1684448		I-U-14	3	6	JLG-8036746	191.51
0160015042-30716							
	1684448		I-U-14	3	6	JLG-8036746	191.51
0160030721-							
	2716617		I-U-10,14	3	6	JLG-8035386	240.55
0160045250-,Including 42754,42762,42877,42911,43185,43220,43244,Excluding 45255							
	2716617		I-U-10,14	3	6	JLG-8035386	240.55

JLG

Telehandlers							
APPLICATION	CYL #	Misc-Parts, Instructions, etc.	CODE	ROD	BORE	KIT #	List \$
MODEL SKYTRAK 8042							
BOOM LIFT							
0160045250-0160069718; incl. 0160042754, 0160042762, 0160042877, 0160042911, 0160043185, 0160043220 & 0160043244; excl. 0160045255, 0160065791, 016005796, 0160065825, 0160065826, 0160069336, 0160069359, 0160069441							
2716617			I-U-10,14	3	6	JLG-8035386	240.55
0160069722-; incl. 0160065791, 0160065796, 0160065825, 0160065826, 0160069336, 0160069359, 0160069441							
1001156175			P-U-10	90 mm	145 mm	JLG-70026048	171.69
-13197							
2714993			I-U-10	3	6	JLG-8033731	46.55
13198-19145							
2716617			I-U-10,14	3	6	JLG-8035386	240.55
19146-19987; 0160002332-4653							
2717199			I-U-14	3	6	JLG-8036746	191.51
19146-19987; 0160002332-0160004653							
2717199			I-U-14	3	6	JLG-8036746	191.51
-5819; 5819-13197							
2714993			I-U-10,14	3	6	JLG-8035386	240.55
FRAME LEVEL							
0160045250-; including 42754,42762,42877,42911,43185,43220,43244,Excluding 45255							
2716563			I-U-14	2-1/4	4-1/2	JLG-8035326	232.45
-0160076614, incl. 0160076627 & 0160076629							
2716563			I-U-14	2-1/4	4-1/2	JLG-8035326	232.45
0160076614-; excl. 0160076627, 0160076629 & 0160076633							
1001180762			P-UB-14	60 mm	115 mm	JLG-70027696	171.17
0160076614; incl. 0160076627 & 0160076629							
2716563			I-U-14	2-1/4	4-1/2	JLG-8035326	232.45
-0160076614; incl. 0160076627, 0160076629 & 0160076633							
2716563			I-U-14	2-1/4	4-1/2	JLG-8035326	232.45
0160076614-0160076626; 0160076630-; incl. 0160076628; excl. 0160076627 & 0160076629							
1001180762			P-UB-14	60 mm	115 mm	JLG-70027696	171.17
FRAME SWAY							
0160005695-							
2716563			I-U-14	2-1/4	4-1/2	JLG-8035326	232.45
13198-19987; 0160002332-4653							
2716563			I-U-14	2-1/4	4-1/2	JLG-8035326	232.45
13198-19987; 0160002332-0160004653							
2716563			I-U-14	2-1/4	4-1/2	JLG-8035326	232.45
FRAME TILT							
7115662; 2713853			I-U-10	2	4-1/2	JLG-8033747	33.50
-0266							
7115662			I-U-10	2	4-1/2	JLG-8033747	33.50
0267-13197							
2713853			I-U-10	2	4-1/2	JLG-8033747	33.50
GRAPPLE BUCKET							
0160045250-; including 42754,42762,42877,42911,43185,43220,43244,Excluding 45255							
70021393			I-U-10	1-1/4	2-1/2	JLG-70021452	12.62
0160045250-0160069718; incl. 0160042754, 0160042762, 0160042877, 0160042911, 0160043185, 0160043220 & 0160043244; excl. 0160045255, 0160065791, 016005796, 0160065825, 0160065826, 0160069336, 0160069359, 0160069441							
70021393			I-U-10	1-1/4	2-1/2	JLG-70021452	12.62
0160069722-; incl. 0160065791, 0160065796, 0160065825, 0160065826, 0160069336, 0160069359, 0160069441							
70021393			I-U-10	1-1/4	2-1/2	JLG-70021452	12.62
13198-19987 & 0160002332-0160045249; incl. 0160045255; excl. 0160042754; 0160042762; 0160042877, 0160042911, 0160043185, 0160043220 & 0160043244							
70021393			I-U-10	1-1/4	2-1/2	JLG-70021452	12.62

Telehandlers							
APPLICATION	CYL #	Misc-Parts, Instructions, etc.	CODE	ROD	BORE	KIT #	List \$
MODEL SKYTRAK 8042							
GRAPPLE BUCKET							
13198-19987,0160002332-45249 Including 45255,Excluding 42754,42762,42877,42911,43185,43220,43244							
	70021393		I-U-10	1-1/4	2-1/2	JLG-70021452	12.62
OUTRIGGER							
0160002940-							
	2717201		I-U-14	3	5	JLG-8036784	174.76
0160045250-,Including 42754,42762,42877,42911,43185,43220,43244,Excluding 45255							
	2717201		I-U-14	3	5	JLG-8036784	174.76
0160045250-0160069718; incl. 0160042754, 0160042762, 0160042877, 0160042911, 0160043185, 0160043220 & 0160043244; excl. 0160045255, 0160065791, 016005796, 0160065825, 0160065826, 0160069336, 0160069359, 0160069441							
	2717201		I-U-14	3	5	JLG-8036784	174.76
0160069722-; incl. 0160065791, 0160065796, 0160065825, 0160065826, 0160069336, 0160069359, 0160069441							
	2717201		I-U-14	3	5	JLG-8036784	174.76
-10882							
	2716163		I-U-10,14	3	5	JLG-8035519	234.95
10882-13197							
	2716163		I-U-15	3	5	JLG-8035732	221.76
-13197							
	2716163		I-U-10,14	3	5	JLG-8035519	234.95
13198-19987,0160002332-2914							
	2716163		I-U-10,14	3	5	JLG-8035519	234.95
13198-19987; 0160002332-016002914							
	2716163		I-U-10,14	3	5	JLG-8035519	234.95
SIDE SHIFT CARRIAGE							
0160045250-,Including 42754,42762,42877,42911,43185,43220,43244,Excluding 45255							
	70024539		I-U-13	25 mm	63 mm	JLG-70024549	78.26
0160045250-0160069718; incl. 0160042754, 0160042762, 0160042877, 0160042911, 0160043185, 0160043220 & 0160043244; excl. 0160045255, 0160065791, 016005796, 0160065825, 0160065826, 0160069336, 0160069359, 0160069441							
	70024539		I-U-13	25 mm	63 mm	JLG-70024549	78.26
0160069722-; incl. 0160065791, 0160065796, 0160065825, 0160065826, 0160069336, 0160069359, 0160069441							
	70024539		I-U-13	25 mm	63 mm	JLG-70024549	78.26
13198-19987 & 0160002332-0160045249; incl. 0160045255; excl. 0160042754; 0160042762; 0160042877, 0160042911, 0160043185, 0160043220 & 0160043244							
	70024539		I-U-13	25 mm	63 mm	JLG-70024549	78.26
SIDE TILT CARRIAGE							
01600066474-							
	1001163414		P-U-14	45 mm	90 mm	JLG-70026062	154.42
0160045250-,Including 42754,42762,42877,42911,43185,43220,43244,Excluding 45255							
	1001090134		I-U-10	1-3/4	3-1/2	JLG-70022041	30.06
-0160066474							
	1001090134		I-U-10	1-3/4	3-1/2	JLG-70022041	30.06
-13197							
	2711613		I-U-10,14	1-3/4	4	JLG-8035831	117.00
13198-19987 & 0160002332-0160045249; incl. 0160045255; excl. 0160042754; 0160042762; 0160042877, 0160042911, 0160043185, 0160043220 & 0160043244							
	1001090134		I-U-10	1-3/4	3-1/2	JLG-70022041	30.06
	1001163414		P-U-14	45 mm	90 mm	JLG-70026062	154.42
13198-19987,0160002332-45249 Including 45255,Excluding 42754,42762,42877,42911,43185,43220,43244							
	1001090134		I-U-10	1-3/4	3-1/2	JLG-70022041	30.06
SLAVE							
	2714973		I-U-5,14	1-3/4	4-1/4	JLG-8034695	178.85
0160004670-							
	2714973		I-U-5,14	1-3/4	4-1/4	JLG-8034695	178.85
-13197							
	2714973		I-U-5,14	1-3/4	4-1/4	JLG-8034695	178.85

Replacement Kits For



Telehandlers							
APPLICATION	CYL #	Misc-Parts, Instructions, etc.	CODE	ROD	BORE	KIT #	List \$
MODEL SKYTRAK 8042							
SLAVE							
13198-19987,0160002332-3866							
	2714973		I-U-5,14	1-3/4	4-1/4	JLG-8034695	178.85
13198-19987; 0160002332-0160003866							
	2714973		I-U-5,14	1-3/4	4-1/4	JLG-8034695	178.85
STABILIZER							
	2713333		I-U-10	2	4-1/2	JLG-8033747	33.50
0160045250-0160069718; incl. 0160042754, 0160042762, 0160042877, 0160042911, 0160043185, 0160043220 & 0160043244; excl. 0160045255, 0160065791, 016005796, 0160065825, 0160065826, 0160069336, 0160069359, 0160069441							
	2717198		I-U-14	2-1/4	4-1/2	JLG-8036747	161.61
0160069722-; incl. 0160065791, 0160065796, 0160065825, 0160065826, 0160069336, 0160069359, 0160069441							
	2717198		I-U-14	2-1/4	4-1/2	JLG-8036747	161.61
-13197							
	2713333		I-U-10	2	4-1/2	JLG-8033747	33.50
19146-19987; 0160002332-							
	2717198		I-U-14	2-1/4	4-1/2	JLG-8036747	161.61
STABIL-TRAK							
0160045250-,Including 42754,42762,42877,42911,43185,43220,43244,Excluding 45255							
	2717198		I-U-14	2-1/4	4-1/2	JLG-8036747	161.61
13198-19145							
	2716564		I-U-14	2-1/4	4-1/2	JLG-8035326	232.45
19146-19987,0160002332-							
	2717198		I-U-14	2-1/4	4-1/2	JLG-8036747	161.61
STEERING							
0160038967-,Excluding 38971,38984; 0160045250-,Including 42754,42762,42877,42911,43185,43220,43244,Excluding 45255							
	70022173		I-U-10	50 mm	100 mm	JLG-70022178	146.38
-1167							
		Cyl No not avail	I-U-10	1-1/8	2-1/2	JLG-8033801	74.20
-1168							
	8034684		I-U-10	1-1/8	2-1/2	JLG-8033801	74.20
1168-							
	8034684		P-U-10	1-1/8	2-1/2	JLG-8034691	76.41
1168-13197							
	8034684		P-U-10	1-1/8	2-1/2	JLG-8034691	76.41
STEERING FRONT							
-0160038966,Including 38971,38984; AXLE -828784							
	1321149		I-U-10	50 mm	100 mm	JLG-8035981	176.44
-0160038966,Including 38971,38984; AXLE 828785-							
	70021617		I-U-10	50 mm	100 mm	JLG-70021495	179.29
STEERING REAR							
-0160038966,Including 38971,38984; AXLE -955402							
	1321149		I-U-10	50 mm	100 mm	JLG-8035981	176.44
-0160038966,Including 38971,38984; AXLE 955403-							
	70021617		I-U-10	50 mm	100 mm	JLG-70021495	179.29
SWING							
	2713363		I-U-10	1-1/2	3-1/2	JLG-70028988	33.43
SWING CARRIAGE							
0160045250-,Including 42754,42762,42877,42911,43185,43220,43244,Excluding 45255							
	1001103182		I-U-10	1-1/2	3-1/2	JLG-2915023	43.65
0160045250-0160069718; incl. 0160042754, 0160042762, 0160042877, 0160042911, 0160043185, 0160043220 & 0160043244; excl. 0160045255, 0160065791, 016005796, 0160065825, 0160065826, 0160069336, 0160069359, 0160069441							
	1001103182		I-U-10	1-1/2	3-1/2	JLG-2915023	43.65
0160069722-; incl. 0160065791, 0160065796, 0160065825, 0160065826, 0160069336, 0160069359, 0160069441							
	1001103182		I-U-10	1-1/2	3-1/2	JLG-2915023	43.65

JLG

Telehandlers							
APPLICATION	CYL #	Misc-Parts, Instructions, etc.	CODE	ROD	BORE	KIT #	List \$
MODEL SKYTRAK 8042							
SWING CARRIAGE							
-13197							
	2713363		I-U-10	1-1/2	3-1/2	JLG-8035830	52.82
13198-19987 & 0160002332-0160045249; incl. 0160045255; excl. 0160042754; 0160042762; 0160042877, 0160042911, 0160043185, 0160043220 & 0160043244							
	1001103182		I-U-10	1-1/2	3-1/2	JLG-2915023	43.65
13198-19987,0160002332-45249 Including 45255,Excluding 42754,42762,42877,42911,43185,43220,43244							
	1001103182		I-U-10	1-1/2	3-1/2	JLG-2915023	43.65
TILT							
	2711613		I-U-14	1-3/4	4	JLG-70028986	76.96
0160069722-; incl. 0160065791, 0160065796, 0160065825, 0160065826, 0160069336, 0160069359, 0160069441							
	1001163414		P-U-14	45 mm	90 mm	JLG-70026062	154.42
0160078728-							
	1001180763		I-U-10	2-1/2	6	JLG-70028408	127.72
TILT COMPENSATING (Slave)							
0160045250-0160069718; incl. 0160042754, 0160042762, 0160042877, 0160042911, 0160043185, 0160043220 & 0160043244; excl. 0160045255, 0160065791, 016005796, 0160065825, 0160065826, 0160069336, 0160069359, 0160069441							
	2714973		I-U-5,14	1-3/4	4-1/4	JLG-8034695	178.85
0160069722-; incl. 0160065791, 0160065796, 0160065825, 0160065826, 0160069336, 0160069359, 0160069441							
	1001189596		I-U-5,14	1-3/4	4-1/4	JLG-8034695	178.85
TILT COMPENSATION							
0160045250-,Including 42754,42762,42877,42911,43185,43220,43244,Excluding 45255							
	2714973		I-U-5,14	1-3/4	4-1/4	JLG-8034695	178.85
MODEL SKYTRAK 10042							
ATTACHMENT TILT							
0160004673-							
	2716618		I-U-4,14	2-1/2	6	JLG-8035780	266.61
0160045250-,Including 42754,42762,42877,42911,43185,43220,43244,Excluding 45255							
	2716618		I-U-4,14	2-1/2	6	JLG-8035780	266.61
0160069722-; incl. 0160065791, 0160065796, 0160065825, 0160065826, 0160069336, 0160069359, 0160069441							
	1001163414		P-U-14	45 mm	90 mm	JLG-70026062	154.42
0160078728-							
	1001180763		I-U-10	2-1/2	6	JLG-70028408	127.72
-13197							
	2712973		I-U-4,14	2-1/2	6	JLG-8035780	266.61
13198-19788							
	2716618		I-U-4,14	2-1/2	6	JLG-8035780	266.61
19789-19987,0160002332-4558							
	2717203		I-U-14	2-1/2	6	JLG-8036786	168.02
19789-19987; 0160002332-016004558							
	2717203		I-U-14	2-1/2	6	JLG-8036786	168.02
BOOM EXTEND							
	2716173		I-UB-10, 14	3	5	JLG-70028961	236.33
0160045250-,Including 42754,42762,42877,42911,43185,43220,43244,Excluding 45255							
	2717052		I-UB-10,14	3	5	JLG-8036295	236.33
0160045250-0160069718; incl. 0160042754, 0160042762, 0160042877, 0160042911, 0160043185, 0160043220 & 0160043244; excl. 0160045255, 0160065791, 016005796, 0160065825, 0160065826, 0160069336, 0160069359, 0160069441, 0160069566, 0160069567 & 0160069568							
	2717052		I-UB-10,14	3	5	JLG-8036295	236.33
0160069722-; incl. 0160065791, 0160065796, 0160065825, 0160065826, 0160069336, 0160069359, 0160069441							
	1001156010		I-UB-10	3	5	JLG-70026038	148.50
-13197							
	2716173		I-UB-10,14	3	5	JLG-8036295	236.33
13198-18397							
	2716173		I-UB-10,14	3	5	JLG-8036295	236.33

Replacement Kits For



Telehandlers							
APPLICATION	CYL #	Misc-Parts, Instructions, etc.	CODE	ROD	BORE	KIT #	List \$
MODEL SKYTRAK 10042							
BOOM EXTEND							
18398-19987,0160002332-							
2716173			I-UB-10,14	3	5	JLG-8036295	236.33
18398-19987; 0160002332-							
2717052			I-UB-10,14	3	5	JLG-8036295	236.33
BOOM LIFT							
0160004673-0160015021							
2717259			I-U-14	3	6	JLG-8036746	191.51
0160004673-15021							
2717259			I-U-14	3	6	JLG-8036746	191.51
0160015195-0160030708							
1684448			I-U-14	3	6	JLG-8036746	191.51
0160015195-30708							
1684448			I-U-14	3	6	JLG-8036746	191.51
0160030767-							
2716617			I-U-10,14	3	6	JLG-8035386	240.55
0160045250-, Including 42754,42762,42877,42911,43185,43220,43244, Excluding 45255							
2716617			I-U-10,14	3	6	JLG-8035386	240.55
0160045250-0160069718; incl. 0160042754, 0160042762, 0160042877, 0160042911, 0160043185, 0160043220 & 0160043244; excl. 0160045255, 0160065791, 016005796, 0160065825, 0160065826, 0160069336, 0160069359, 0160069441, 0160069566, 0160069567 & 0160069568							
2716617			I-U-10,14	3	6	JLG-8035386	240.55
0160069722-; incl. 0160065791, 0160065796, 0160065825, 0160065826, 0160069336, 0160069359, 0160069441							
1001156254			I-U-14	3	6	JLG-70026025	242.72
-13197							
2714993			I-U-10	3	6	JLG-8033731	46.55
13198-19241							
2716617			I-U-10,14	3	6	JLG-8035386	240.55
19242-19987,0160002332-4259							
2717199			I-U-14	3	6	JLG-8036746	191.51
19242-19987; 0160002332-0160004259							
2717199			I-U-14	3	6	JLG-8036746	191.51
-5819; 5819-13197							
2714993			I-U-10,14	3	6	JLG-8035386	240.55
FRAME LEVEL							
0160045250-, Including 42754,42762,42877,42911,43185,43220,43244, Excluding 45255							
2716563			I-U-14	2-1/4	4-1/2	JLG-8035326	232.45
-0160076614, incl. 0160076627 & 0160076629							
2716563			I-U-14	2-1/4	4-1/2	JLG-8035326	232.45
0160076614-; excl. 0160076627, 0160076629 & 0160076633							
1001180762			P-UB-14	60 mm	115 mm	JLG-70027696	171.17
-0160076614; incl. 0160076627, 0160076629 & 0160076633							
2716563			I-U-14	2-1/4	4-1/2	JLG-8035326	232.45
0160076614-0160076626; 0160076630-; incl. 0160076628; excl. 0160076627 & 0160076629							
1001180762			P-UB-14	60 mm	115 mm	JLG-70027696	171.17
FRAME SWAY							
0160005669-							
2716563			I-U-14	2-1/4	4-1/2	JLG-8035326	232.45
13198-19987,0160002332-4558							
2716563			I-U-14	2-1/4	4-1/2	JLG-8035326	232.45
13198-19987; 0160002332-0160004558							
2716563			I-U-14	2-1/4	4-1/2	JLG-8035326	232.45
FRAME TILT							
7115662; 2713853			I-U-10	2	4-1/2	JLG-8033747	33.50

JLG

Replacement Kits For



Telehandlers							
APPLICATION	CYL #	Misc-Parts, Instructions, etc.	CODE	ROD	BORE	KIT #	List \$
MODEL SKYTRAK 10042							
FRAME TILT							
-0266							
7115662			I-U-10	2	4-1/2	JLG-8033747	33.50
0267-13197							
2713853			I-U-10	2	4-1/2	JLG-8033747	33.50
GRAPPLE BUCKET							
0160045250-,Including 42754,42762,42877,42911,43185,43220,43244,Excluding 45255							
70021393			I-U-10	1-1/4	2-1/2	JLG-70021452	12.62
0160045250-0160069718; incl. 0160042754, 0160042762, 0160042877, 0160042911, 0160043185, 0160043220 & 0160043244; excl. 0160045255, 0160065791, 016005796, 0160065825, 0160065826, 0160069336, 0160069359, 0160069441, 0160069566, 0160069567 & 0160069568							
70021393			I-U-10	1-1/4	2-1/2	JLG-70021452	12.62
0160069722-; incl. 0160065791, 0160065796, 0160065825, 0160065826, 0160069336, 0160069359, 0160069441							
70021393			I-U-10	1-1/4	2-1/2	JLG-70021452	12.62
13198-19987 & 0160002332-0160045249; incl. 0160045255; excl. 0160042754; 0160042762; 0160042877; 0160042911; 0160043185; 0160043220 & 0160043244							
70021393			I-U-10	1-1/4	2-1/2	JLG-70021452	12.62
13198-19987,0160002332-45249 Including 45255,Excluding 42754,42762,42877,42911,43185,43220,43244							
70021393			I-U-10	1-1/4	2-1/2	JLG-70021452	12.62
OUTRIGGER							
0160002940-							
2717201			I-U-14	3	5	JLG-8036784	174.76
016002940-							
2717201			I-U-14	3	5	JLG-8036784	174.76
0160045250-,Including 42754,42762,42877,42911,43185,43220,43244,Excluding 45255							
2717201			I-U-14	3	5	JLG-8036784	174.76
0160045250-0160069718; incl. 0160042754, 0160042762, 0160042877, 0160042911, 0160043185, 0160043220 & 0160043244; excl. 0160045255, 0160065791, 016005796, 0160065825, 0160065826, 0160069336, 0160069359, 0160069441, 0160069566, 0160069567 & 0160069568							
2717201			I-U-14	3	5	JLG-8036784	174.76
0160069722-; incl. 0160065791, 0160065796, 0160065825, 0160065826, 0160069336, 0160069359, 0160069441							
2717201			I-U-14	3	5	JLG-8036784	174.76
10882-13197							
2716163			I-U-15	3	5	JLG-8035732	221.76
-13197							
2716163			I-U-10,14	3	5	JLG-8035519	234.95
13198-19987,0160002332-2914							
2716163			I-U-10,14	3	5	JLG-8035519	234.95
13198-19987; 0160002332-016002914							
2716163			I-U-10,14	3	5	JLG-8035519	234.95
SIDE SHIFT CARRIAGE							
0160045250-,Including 42754,42762,42877,42911,43185,43220,43244,Excluding 45255							
70024539			I-U-13	25 mm	63 mm	JLG-70024549	78.26
0160045250-0160069718; incl. 0160042754, 0160042762, 0160042877, 0160042911, 0160043185, 0160043220 & 0160043244; excl. 0160045255, 0160065791, 016005796, 0160065825, 0160065826, 0160069336, 0160069359, 0160069441, 0160069566, 0160069567 & 0160069568							
70024539			I-U-13	25 mm	63 mm	JLG-70024549	78.26
0160069722-; incl. 0160065791, 0160065796, 0160065825, 0160065826, 0160069336, 0160069359, 0160069441							
70024539			I-U-13	25 mm	63 mm	JLG-70024549	78.26
13198-19987 & 0160002332-0160045249; incl. 0160045255; excl. 0160042754; 0160042762; 0160042877; 0160042911; 0160043185; 0160043220 & 0160043244							
70024539			I-U-13	25 mm	63 mm	JLG-70024549	78.26
SIDE TILT CARRIAGE							
01600066474-							
1001163414			P-U-14	45 mm	90 mm	JLG-70026062	154.42

JLG

Telehandlers							
APPLICATION	CYL #	Misc-Parts, Instructions, etc.	CODE	ROD	BORE	KIT #	List \$
MODEL SKYTRAK 10042							
SIDE TILT CARRIAGE							
0160045250-,Including 42754,42762,42877,42911,43185,43220,43244,Excluding 45255							
1001090134			I-U-10	1-3/4	3-1/2	JLG-70022041	30.06
-0160066474							
1001090134			I-U-10	1-3/4	3-1/2	JLG-70022041	30.06
0160066474-							
1001163414			P-U-14	45 mm	90 mm	JLG-70026062	154.42
-13197							
2711613			I-U-10,14	1-3/4	4	JLG-8035831	117.00
13198-19987 & 0160002332-0160045249; incl. 0160045255; excl. 0160042754; 0160042762; 0160042877; 0160042911; 0160043185; 0160043220 & 0160043244							
1001090134			I-U-10	1-3/4	3-1/2	JLG-70022041	30.06
1001163414			P-U-14	45 mm	90 mm	JLG-70026062	154.42
13198-19987,0160002332-45249 Including 45255,Excluding 42754,42762,42877,42911,43185,43220,43244							
1001090134			I-U-10	1-3/4	3-1/2	JLG-70022041	30.06
SLAVE							
2714973			I-U-5,14	1-3/4	4-1/4	JLG-8034695	178.85
0160004673-							
2714973			I-U-5,14	1-3/4	4-1/4	JLG-8034695	178.85
-13197							
2714973			I-U-5,14	1-3/4	4-1/4	JLG-8034695	178.85
13198-19987,0160002332-3858							
2714973			I-U-5,14	1-3/4	4-1/4	JLG-8034695	178.85
13198-19987; 0160002332-0160003858							
2714973			I-U-5,14	1-3/4	4-1/4	JLG-8034695	178.85
STABILIZER							
2713333			I-U-10	2	4-1/2	JLG-8033747	33.50
-13197							
2713333			I-U-10	2	4-1/2	JLG-8033747	33.50
STABIL-TRAK							
0160045250-,Including 42754,42762,42877,42911,43185,43220,43244,Excluding 45255							
2717198			I-U-14	2-1/4	4-1/2	JLG-8036747	161.61
0160045250-0160069718; incl. 0160042754, 0160042762, 0160042877, 0160042911, 0160043185, 0160043220 & 0160043244; excl. 0160045255, 0160065791, 016005796, 0160065825, 0160065826, 0160069336, 0160069359, 0160069441, 0160069566, 0160069567 & 0160069568							
2717198			I-U-14	2-1/4	4-1/2	JLG-8036747	161.61
0160069722-; incl. 0160065791, 0160065796, 0160065825, 0160065826, 0160069336, 0160069359, 0160069441							
2717198			I-U-14	2-1/4	4-1/2	JLG-8036747	161.61
13198-19241							
2716564			I-U-14	2-1/4	4-1/2	JLG-8035326	232.45
19242-19987,0160002332-							
2717198			I-U-14	2-1/4	4-1/2	JLG-8036747	161.61
19242-19987; 0160002332-							
2717198			I-U-14	2-1/4	4-1/2	JLG-8036747	161.61
STEERING							
0160038967-,Excluding 38971,38984; 0160045250-,Including 42754,42762,42877,42911,43185,43220,43244,Excluding 45255							
70022173			I-U-10	50 mm	100 mm	JLG-70022178	146.38
-1167							
	Cyl No not avail		I-U-10	1-1/8	2-1/2	JLG-8033801	74.20
-1168							
8034684			I-U-10	1-1/8	2-1/2	JLG-8033801	74.20
1168-							
8034684			P-U-10	1-1/8	2-1/2	JLG-8034691	76.41
1168-13197							
8034684			P-U-10	1-1/8	2-1/2	JLG-8034691	76.41

Replacement Kits For



Telehandlers							
APPLICATION	CYL #	Misc-Parts, Instructions, etc.	CODE	ROD	BORE	KIT #	List \$
MODEL SKYTRAK 10042							
STEERING FRONT							
-0160038966,Including 38971,38984; AXLE -1285171							
	1321149		I-U-10	50 mm	100 mm	JLG-8035981	176.44
-0160038966,Including 38971,38984; AXLE 1285172-							
	70021617		I-U-10	50 mm	100 mm	JLG-70021495	179.29
STEERING REAR							
-0160038966,Including 38971,38984; AXLE -949493							
	1321149		I-U-10	50 mm	100 mm	JLG-8035981	176.44
-0160038966,Including 38971,38984; AXLE 949494-							
	70021617		I-U-10	50 mm	100 mm	JLG-70021495	179.29
SWING							
	2713363		I-U-10	1-1/2	3-1/2	JLG-70028988	33.43
SWING CARRIAGE							
0160045250-,Including 42754,42762,42877,42911,43185,43220,43244,Excluding 45255							
	1001103182		I-U-10	1-1/2	3-1/2	JLG-2915023	43.65
0160045250-0160069718; incl. 0160042754, 0160042762, 0160042877, 0160042911, 0160043185, 0160043220 & 0160043244; excl. 0160045255, 0160065791, 016005796, 0160065825, 0160065826, 0160069336, 0160069359, 0160069441, 0160069566, 0160069567 & 0160069568							
	1001103182		I-U-10	1-1/2	3-1/2	JLG-2915023	43.65
0160069722-; incl. 0160065791, 0160065796, 0160065825, 0160065826, 0160069336, 0160069359, 0160069441							
	1001103182		I-U-10	1-1/2	3-1/2	JLG-2915023	43.65
-13197							
	2713363		I-U-10	1-1/2	3-1/2	JLG-8035830	52.82
13198-19987 & 0160002332-0160045249; incl. 0160045255; excl. 0160042754; 0160042762; 0160042877; 0160042911; 0160043185; 0160043220 & 0160043244							
	1001103182		I-U-10	1-1/2	3-1/2	JLG-2915023	43.65
13198-19987,0160002332-45249 Including 45255,Excluding 42754,42762,42877,42911,43185,43220,43244							
	1001103182		I-U-10	1-1/2	3-1/2	JLG-2915023	43.65
TILT							
	2711613		I-U-14	1-3/4	4	JLG-70028986	76.96
	2712973		I-U-4,14	2-1/2	6	JLG-8035780	266.61
0160004673-							
	2716618		I-U-4,14	2-1/2	6	JLG-8035780	266.61
0160045250-0160069718; incl. 0160042754, 0160042762, 0160042877, 0160042911, 0160043185, 0160043220 & 0160043244; excl. 0160045255, 0160065791, 016005796, 0160065825, 0160065826, 0160069336, 0160069359, 0160069441, 0160069566, 0160069567 & 0160069568							
	2716618		I-U-4,14	2-1/2	6	JLG-8035780	266.61
-0160078728							
	2716618		I-U-4,14	2-1/2	6	JLG-8035780	266.61
13198-19788							
	2716618		I-U-4,14	2-1/2	6	JLG-8035780	266.61
TILT COMPENSATING (Slave)							
0160045250-0160069718; incl. 0160042754, 0160042762, 0160042877, 0160042911, 0160043185, 0160043220 & 0160043244; excl. 0160045255, 0160065791, 016005796, 0160065825, 0160065826, 0160069336, 0160069359, 0160069441, 0160069566, 0160069567 & 0160069568							
	2714973		I-U-5,14	1-3/4	4-1/4	JLG-8034695	178.85
0160069722-; incl. 0160065791, 0160065796, 0160065825, 0160065826, 0160069336, 0160069359, 0160069441							
	1001189596		I-U-5,14	1-3/4	4-1/4	JLG-8034695	178.85
TILT COMPENSATION							
0160045250-,Including 42754,42762,42877,42911,43185,43220,43244,Excluding 45255							
	2714973		I-U-5,14	1-3/4	4-1/4	JLG-8034695	178.85
MODEL SKYTRAK 10054							
ATTACHMENT TILT							
	2712973		I-U-4,14	2-1/2	6	JLG-8035780	266.61
0160006120-							
	2716618		I-U-4,14	2-1/2	6	JLG-8035780	266.61

JLG

Replacement Kits For



Telehandlers							
APPLICATION	CYL #	Misc-Parts, Instructions, etc.	CODE	ROD	BORE	KIT #	List \$
MODEL SKYTRAK 10054							
ATTACHMENT TILT							
0160045250-.Including 42754,42762,42877,42911,43185,43220,43244,Excluding 45255							
2716618			I-U-4,14	2-1/2	6	JLG-8035780	266.61
0160045250-160069718; incl. 0160042754, 0160042762, 0160042877, 0160042911, 0160043185, 0160043220 & 0160043244; excl. 0160045255, 0160065791, 016005796, 0160065825, 0160065826, 0160069336, 0160069359, 0160069441, 0160069566, 0160069567 & 0160069568							
2716618			I-U-4,14	2-1/2	6	JLG-8035780	266.61
0160069722-.; incl. 0160065791, 0160065796, 0160065825, 0160065826, 0160069336, 0160069359, 0160069441							
1001163414			P-U-14	45 mm	90 mm	JLG-70026062	154.42
-0160078728							
2716618			I-U-4,14	2-1/2	6	JLG-8035780	266.61
-13197							
2712973			I-U-4,14	2-1/2	6	JLG-8035780	266.61
13198-19745							
2716618			I-U-4,14	2-1/2	6	JLG-8035780	266.61
19746-19987,0160002332-6099							
2717203			I-U-14	2-1/2	6	JLG-8036786	168.02
19746-19987; 0160002332-0160006099							
2717203			I-U-14	2-1/2	6	JLG-8036786	168.02
BOOM EXTEND							
1001156009			I-UB-10	3-1/4	5	JLG-70026043	148.50
2716173			I-UB-10, 14	3	5	JLG-70028961	236.33
0160045250-.Including 42754,42762,42877,42911,43185,43220,43244,Excluding 45255							
2716173			I-UB-10,14	3	5	JLG-8036295	236.33
0160045250-160069718; incl. 0160042754, 0160042762, 0160042877, 0160042911, 0160043185, 0160043220 & 0160043244; excl. 0160045255, 0160065791, 016005796, 0160065825, 0160065826, 0160069336, 0160069359, 0160069441, 0160069566, 0160069567 & 0160069568							
2716173			I-UB-10,14	3	5	JLG-8036295	236.33
-13197							
2716173			I-UB-10,14	3	5	JLG-8036295	236.33
13198-19987 & 0160002332-0160045249; incl. 0160045255; excl. 0160042754; 0160042762; 0160042877, 0160042911, 0160043185, 0160043220 & 0160043244							
2717052			I-UB-10,14	3	5	JLG-8036295	236.33
13198-19987,0160002332-							
2716173			I-UB-10,14	3	5	JLG-8036295	236.33
13198-19987; 0160002332-							
2716173			I-UB-10,14	3	5	JLG-8036295	236.33
BOOM LIFT							
1001156255			I-U-14	3-1/2	6	JLG-70026029	213.14
0160004667-0160015024							
2717259			I-U-14	3	6	JLG-8036746	191.51
0160004667-15024							
2717259			I-U-14	3	6	JLG-8036746	191.51
0160015044-160030712							
1684448			I-U-14	3	6	JLG-8036746	191.51
0160015044-30712							
1684448			I-U-14	3	6	JLG-8036746	191.51
0160030719-							
2716617			I-U-10,14	3	6	JLG-8035386	240.55
0160045250-.Including 42754,42762,42877,42911,43185,43220,43244,Excluding 45255							
2716617			I-U-10,14	3	6	JLG-8035386	240.55
0160045250-160069718; incl. 0160042754, 0160042762, 0160042877, 0160042911, 0160043185, 0160043220 & 0160043244; excl. 0160045255, 0160065791, 016005796, 0160065825, 0160065826, 0160069336, 0160069359, 0160069441, 0160069566, 0160069567 & 0160069568							
2716617			I-U-10,14	3	6	JLG-8035386	240.55

JLG

Telehandlers							
APPLICATION	CYL #	Misc-Parts, Instructions, etc.	CODE	ROD	BORE	KIT #	List \$
MODEL SKYTRAK 10054							
BOOM LIFT							
-13197							
	2714993		I-U-10	3	6	JLG-8033731	46.55
13198-19113							
	2716617		I-U-10,14	3	6	JLG-8035386	240.55
19114-19987,0160002332-4654							
	2717199		I-U-14	3	6	JLG-8036746	191.51
19114-19987; 0160002332-0160004654							
	2717199		I-U-14	3	6	JLG-8036746	191.51
-5819; 5819-13197							
	2714993		I-U-10,14	3	6	JLG-8035386	240.55
FRAME LEVEL							
0160045250-,Including 42754,42762,42877,42911,43185,43220,43244,Excluding 45255							
	2716563		I-U-14	2-1/4	4-1/2	JLG-8035326	232.45
0160076614-; excl. 0160076627, 0160076629 & 0160076633							
	1001180762		P-UB-14	60 mm	115 mm	JLG-70027696	171.17
-0160076614; incl. 0160076627 & 0160076629							
	2716563		I-U-14	2-1/4	4-1/2	JLG-8035326	232.45
-0160076614; incl. 0160076627, 0160076629 & 0160076633							
	2716563		I-U-14	2-1/4	4-1/2	JLG-8035326	232.45
0160076614-0160076626; 0160076630-; incl. 0160076628; excl. 0160076627 & 0160076629							
	1001180762		P-UB-14	60 mm	115 mm	JLG-70027696	171.17
FRAME SWAY							
0160005697-							
	2716563		I-U-14	2-1/4	4-1/2	JLG-8035326	232.45
13198-19987,0160002332-4654							
	2716563		I-U-14	2-1/4	4-1/2	JLG-8035326	232.45
13198-19987; 0160002332-0160004654							
	2716563		I-U-14	2-1/4	4-1/2	JLG-8035326	232.45
FRAME TILT							
7115662; 2713853							
			I-U-10	2	4-1/2	JLG-8033747	33.50
-0266							
	7115662		I-U-10	2	4-1/2	JLG-8033747	33.50
0267-13197							
	2713853		I-U-10	2	4-1/2	JLG-8033747	33.50
GRAPPLE BUCKET							
0160045250-,Including 42754,42762,42877,42911,43185,43220,43244,Excluding 45255							
	70021393		I-U-10	1-1/4	2-1/2	JLG-70021452	12.62
0160045250-160069718; incl. 0160042754, 0160042762, 0160042877, 0160042911, 0160043185, 0160043220 & 0160043244; excl. 0160045255, 0160065791, 016005796, 0160065825, 0160065826, 0160069336, 0160069359, 0160069441, 0160069566, 0160069567 & 0160069568							
	70021393		I-U-10	1-1/4	2-1/2	JLG-70021452	12.62
0160069722-; incl. 0160065791, 0160065796, 0160065825, 0160065826, 0160069336, 0160069359, 0160069441							
	70021393		I-U-10	1-1/4	2-1/2	JLG-70021452	12.62
13198-19987 & 0160002332-0160045249; incl. 0160045255; excl. 0160042754; 0160042762; 0160042877, 0160042911, 0160043185, 0160043220 & 0160043244							
	70021393		I-U-10	1-1/4	2-1/2	JLG-70021452	12.62
13198-19987,0160002332-45249 Including 45255,Excluding 42754,42762,42877,42911,43185,43220,43244							
	70021393		I-U-10	1-1/4	2-1/2	JLG-70021452	12.62
OUTRIGGER							
0160002940-							
	2717201		I-U-14	3	5	JLG-8036784	174.76
0160045250-,Including 42754,42762,42877,42911,43185,43220,43244,Excluding 45255							
	2717201		I-U-14	3	5	JLG-8036784	174.76

Replacement Kits For



Telehandlers							
APPLICATION	CYL #	Misc-Parts, Instructions, etc.	CODE	ROD	BORE	KIT #	List \$
MODEL SKYTRAK 10054							
OUTRIGGER							
0160045250-160069718; incl. 0160042754, 0160042762, 0160042877, 0160042911, 0160043185, 0160043220 & 0160043244; excl. 0160045255, 0160065791, 016005796, 0160065825, 0160065826, 0160069336, 0160069359, 0160069441, 0160069566, 0160069567 & 0160069568							
2717201			I-U-14	3	5	JLG-8036784	174.76
0160069722-; incl. 0160065791, 0160065796, 0160065825, 0160065826, 0160069336, 0160069359, 0160069441							
2717201			I-U-14	3	5	JLG-8036784	174.76
10882-13197							
2716163			I-U-15	3	5	JLG-8035732	221.76
-13197							
2716163			I-U-10,14	3	5	JLG-8035519	234.95
13198-19987,0160002332-2914							
2716163			I-U-10,14	3	5	JLG-8035519	234.95
13198-19987; 0160002332-016002914							
2716163			I-U-10,14	3	5	JLG-8035519	234.95
SIDE SHIFT CARRIAGE							
0160045250-,Including 42754,42762,42877,42911,43185,43220,43244,Excluding 45255							
70024539			I-U-13	25 mm	63 mm	JLG-70024549	78.26
0160045250-160069718; incl. 0160042754, 0160042762, 0160042877, 0160042911, 0160043185, 0160043220 & 0160043244; excl. 0160045255, 0160065791, 016005796, 0160065825, 0160065826, 0160069336, 0160069359, 0160069441, 0160069566, 0160069567 & 0160069568							
70024539			I-U-13	25 mm	63 mm	JLG-70024549	78.26
0160069722-; incl. 0160065791, 0160065796, 0160065825, 0160065826, 0160069336, 0160069359, 0160069441							
70024539			I-U-13	25 mm	63 mm	JLG-70024549	78.26
13198-19987 & 0160002332-0160045249; incl. 0160045255; excl. 0160042754; 0160042762; 0160042877, 0160042911, 0160043185, 0160043220 & 0160043244							
70024539			I-U-13	25 mm	63 mm	JLG-70024549	78.26
SIDE TILT CARRIAGE							
0160045250-,Including 42754,42762,42877,42911,43185,43220,43244,Excluding 45255							
1001090134			I-U-10	1-3/4	3-1/2	JLG-70022041	30.06
-0160066474							
1001090134			I-U-10	1-3/4	3-1/2	JLG-70022041	30.06
0160066474-							
1001163414			P-U-14	45 mm	90 mm	JLG-70026062	154.42
-13197							
2711613			I-U-10,14	1-3/4	4	JLG-8035831	117.00
13198-19987 & 0160002332-0160045249; incl. 0160045255; excl. 0160042754; 0160042762; 0160042877, 0160042911, 0160043185, 0160043220 & 0160043244							
1001090134			I-U-10	1-3/4	3-1/2	JLG-70022041	30.06
1001163414			P-U-14	45 mm	90 mm	JLG-70026062	154.42
13198-19987,0160002332-45249 Including 45255,Excluding 42754,42762,42877,42911,43185,43220,43244							
1001090134			I-U-10	1-3/4	3-1/2	JLG-70022041	30.06
SLAVE							
2714973			I-U-5,14	1-3/4	4-1/4	JLG-8034695	178.85
0160004676-							
2714973			I-U-5,14	1-3/4	4-1/4	JLG-8034695	178.85
-13197							
2714973			I-U-5,14	1-3/4	4-1/4	JLG-8034695	178.85
13198-19987,0160002332-3864							
2714973			I-U-5,14	1-3/4	4-1/4	JLG-8034695	178.85
13198-19987; 0160002332-0160003864							
2714973			I-U-5,14	1-3/4	4-1/4	JLG-8034695	178.85
STABILIZER							
2713333			I-U-10	2	4-1/2	JLG-8033747	33.50
-13197							
2713333			I-U-10	2	4-1/2	JLG-8033747	33.50

JLG

Telehandlers							
APPLICATION	CYL #	Misc-Parts, Instructions, etc.	CODE	ROD	BORE	KIT #	List \$
MODEL SKYTRAK 10054							
STABILIZER							
	13198-19113						
	2716564		I-U-14	2-1/4	4-1/2	JLG-8035326	232.45
STABIL-TRAK							
	0160045250-,Including 42754,42762,42877,42911,43185,43220,43244,Excluding 45255						
	2717198		I-U-14	2-1/4	4-1/2	JLG-8036747	161.61
	0160045250-160069718; incl. 0160042754, 0160042762, 0160042877, 0160042911, 0160043185, 0160043220 & 0160043244; excl. 0160045255, 0160065791, 016005796, 0160065825, 0160065826, 0160069336, 0160069359, 0160069441, 0160069566, 0160069567 & 0160069568						
	2717198		I-U-14	2-1/4	4-1/2	JLG-8036747	161.61
	0160069722-; incl. 0160065791, 0160065796, 0160065825, 0160065826, 0160069336, 0160069359, 0160069441						
	2717198		I-U-14	2-1/4	4-1/2	JLG-8036747	161.61
	13198-19113						
	2716564		I-U-14	2-1/4	4-1/2	JLG-8035326	232.45
	19114-19987,0160002332-						
	2717198		I-U-14	2-1/4	4-1/2	JLG-8036747	161.61
	19114-19987; 0160002332-						
	2717198		I-U-14	2-1/4	4-1/2	JLG-8036747	161.61
STEERING							
	0160038967-,Excluding 38971,38984; 0160045250-,Including 42754,42762,42877,42911,43185,43220,43244,Excluding 45255						
	70022173		I-U-10	50 mm	100 mm	JLG-70022178	146.38
	-1167						
		Cyl No not avail	I-U-10	1-1/8	2-1/2	JLG-8033801	74.20
	1168-						
	8034684		P-U-10	1-1/8	2-1/2	JLG-8034691	76.41
	1168-13197						
	8034684		P-U-10	1-1/8	2-1/2	JLG-8034691	76.41
STEERING FRONT							
	-0160038966,Including 38971,38984; AXLE -1285171						
	1321149		I-U-10	50 mm	100 mm	JLG-8035981	176.44
	-0160038966,Including 38971,38984; AXLE 1285172-						
	70021617		I-U-10	50 mm	100 mm	JLG-70021495	179.29
STEERING REAR							
	-0160038966,Including 38971,38984; AXLE -949493						
	1321149		I-U-10	50 mm	100 mm	JLG-8035981	176.44
	-0160038966,Including 38971,38984; AXLE 949494-						
	70021617		I-U-10	50 mm	100 mm	JLG-70021495	179.29
SWING							
	2713363		I-U-10	1-1/2	3-1/2	JLG-70028988	33.43
SWING CARRIAGE							
	0160045250-,Including 42754,42762,42877,42911,43185,43220,43244,Excluding 45255						
	1001103182		I-U-10	1-1/2	3-1/2	JLG-2915023	43.65
	0160045250-160069718; incl. 0160042754, 0160042762, 0160042877, 0160042911, 0160043185, 0160043220 & 0160043244; excl. 0160045255, 0160065791, 016005796, 0160065825, 0160065826, 0160069336, 0160069359, 0160069441, 0160069566, 0160069567 & 0160069568						
	1001103182		I-U-10	1-1/2	3-1/2	JLG-2915023	43.65
	0160069722-; incl. 0160065791, 0160065796, 0160065825, 0160065826, 0160069336, 0160069359, 0160069441						
	1001103182		I-U-10	1-1/2	3-1/2	JLG-2915023	43.65
	-13197						
	2713363		I-U-10	1-1/2	3-1/2	JLG-8035830	52.82
	13198-19987 & 0160002332-0160045249; incl. 0160045255; excl. 0160042754; 0160042762; 0160042877, 0160042911, 0160043185, 0160043220 & 0160043244						
	1001103182		I-U-10	1-1/2	3-1/2	JLG-2915023	43.65
	13198-19987,0160002332-45249 Including 45255,Excluding 42754,42762,42877,42911,43185,43220,43244						
	1001103182		I-U-10	1-1/2	3-1/2	JLG-2915023	43.65

Telehandlers							
APPLICATION	CYL #	Misc-Parts, Instructions, etc.	CODE	ROD	BORE	KIT #	List \$
MODEL SKYTRAK 10054							
TILT							
	2711613		I-U-14	1-3/4	4	JLG-70028986	76.96
	0160078728-						
	1001180763		I-U-10	2-1/2	6	JLG-70028408	127.72
TILT COMPENSATING (Slave)							
	0160045250-160069718; incl. 0160042754, 0160042762, 0160042877, 0160042911, 0160043185, 0160043220 & 0160043244; excl. 0160045255, 0160065791, 016005796, 0160065825, 0160065826, 0160069336, 0160069359, 0160069441, 0160069566, 0160069567 & 0160069568						
	2714973		I-U-5,14	1-3/4	4-1/4	JLG-8034695	178.85
	-0160078728						
	2714973		I-U-5,14	1-3/4	4-1/4	JLG-8034695	178.85
	0160078728-						
	1001180761		I-U-10	45 mm	110 mm	JLG-70027857	80.28
TILT COMPENSATION							
	0160045250-;Including 42754,42762,42877,42911,43185,43220,43244,Excluding 45255						
	2714973		I-U-5,14	1-3/4	4-1/4	JLG-8034695	178.85

REPLACEMENT KITS FOR JLG INDUSTRIES

Kit Number	Code (Pg. xviii)	Rod X Bore Size	List Price
JLG-1001121434-NG	P-UB-14	3-1/2 X 6	\$206.73
JLG-1001115617	P-U-14	3 X 4	89.79
JLG-1001162126	P-UB-14	75 mm X 150 mm	217.84
JLG-1001162144	P-UB-14	75 mm X 160 mm	184.51
JLG-1001162168	P-UB-14	75 mm X 120 mm	209.42
JLG-1001163542	P-UB-14	3 X 4-3/4	166.91
JLG-1001164313	P-U-14	2 X 3	93.02
JLG-1001118241	P-U-14	1-3/4 X 3	73.84
JLG-1001122496	P-UB-14	3 X 4-3/4	189.42
JLG-1001125160	P-UB-14	3-1/2 X 5-1/2	245.41
JLG-1001138795	P-U-9	1-1/2 X 3	134.50
JLG-1001138796	P-U-9	1-1/2 X 3-1/2	184.87
JLG-1001152279	P-UB-14	3 X 4-3/4	212.03
JLG-1001152299	P-UB-14	3-1/2 X 6	203.73
JLG-1001163541	P-UB-14	3-1/2 X 6	171.15
JLG-1001163543	P-UB-14	3-1/2 X 5-1/2	173.13
JLG-1001174325	P-U-9	4 X 9	632.50
JLG-1001175774	P-UB-14	3 X 4-3/4	189.42
JLG-10011775771-NG	P-UB-14	3-1/2 X 6	206.73
JLG-1001181694	P-U-14	3 X 4	105.81
JLG-10730652	P-U-10	3 X 5	99.43
JLG-10730680	P-U-10	3 X 4-1/2	183.73
JLG-10731334	I-U-10	1-1/8 X 2-1/4	78.23
JLG-10732314	P-U-10	1-3/4 X 3-1/2	52.89
JLG-1102019	P-U-11	2-1/2 X 3-1/2	97.29
JLG-226542GT	15K ROTATOR SEAL KIT		185.40
JLG-2900003	N-N-11	5" SWIVEL KIT	273.29
JLG-2900005	P-V-1	2 X 3	66.51
JLG-2900006	P-V-11	2 X 5	76.06
JLG-2900007	I-U, V-11	1 X 3	57.61
JLG-2900008	P-V-11	1 X 3	48.20
JLG-2900009	P-V-11	2 X 4	73.83
JLG-2900010	P-V-11	2-1/2 X 6	114.28
JLG-2900088	P-U-8	3 X 7	501.35
JLG-2900094	P-U-10	2 X 3	109.87
JLG-2900095	P-U-10	1-1/4 X 2-1/2	85.23
JLG-2900099	I-U-11	1-1/4 X 2-1/4	32.37
JLG-2900100	I-U-10, 12	2 X 6	147.76
JLG-2900101	P-V-11	1 X 2	44.18
JLG-2900102	P-V-11	2 X 3	55.90
JLG-2900103	P-V-11	1-1/4 X 3	50.42
JLG-2900104	I-U-11	1 X 3	25.90
JLG-2900107	P-V-11	1-1/2 X 4	65.71

Kit Number	Code (Pg. xviii)	Rod X Bore Size	List Price
JLG-2900108	I-U-10, 12	3-1/2 X 8	\$190.75
JLG-2900109	P-U-11	1 X 3	33.63
JLG-2900109M	P-U-13	1 X 3	35.96
JLG-2900110	P-U-11	1-1/2 X 4	45.13
JLG-2900111	P-U-11	1-1/4 X 3	36.05
JLG-2900111M	P-U-13	1-1/4 X 3	36.62
JLG-2900112	I-U-10, 12	2 X 5	110.98
JLG-2900113	I-U-10, 12	3-1/2 X 9	235.15
JLG-2900114	P-V-1	3-1/2 X 8	97.81
JLG-2900119	I,P,U-11	1-1/4 X 3	44.83
JLG-2900120	PUMP SEAL KIT		241.45
JLG-2900123	P-U-11	2 X 4	67.80
JLG-2900124	I-U-11	1 X 2	22.29
JLG-2900125	I-U-11	2 X 3	31.93
JLG-2900126	P-U-11	1-1/4 X 3	36.14
JLG-2900127	N-N-11	5-7/8" SWIVEL KIT	294.47
JLG-2900142	P-U-11	2-1/2 X 6	93.66
JLG-2900156	I-U-11	1 X 2	22.29
JLG-2900157	I-U-11	2-1/2 X 4	57.61
JLG-2900158	VALVE KIT		49.50
JLG-2900166	P-U-11	1-1/4 X 2	30.69
JLG-2900168	MOTOR KIT		34.87
JLG-2900173	P-U-11	2 X 4	63.76
JLG-2900175	I-OB-2	1/2 X 1	25.70
JLG-2900184	N-U-10, 12	2 X 3	54.35
JLG-2900188	P-O-11	3/4 X 2	23.90
JLG-2900197	P-U-11	2 X 3	55.96
JLG-2900202	Drive Hub Kit		169.37
JLG-2900203	I-U-11	3 X 4	52.39
JLG-2900208	I-U-11	2 X 3	44.01
JLG-2900209	I-U-11	2 X 5	72.15
JLG-2900242	P-O-11	3/4 X 2	33.72
JLG-2900292	P-U-11	2-1/2 X 6	87.94
JLG-2900293	I-U-11	3 X 5	86.13
JLG-2900295	I-U-10	1-1/4 X 3	41.02
JLG-2900338	P-U-1	3-1/2 X 8	326.48
JLG-2900344	P-U-10	1 X 2 DOUBLE ROD	105.45
JLG-2900347	P-U-1	2 X 3	151.31
JLG-2900348	P-U-10	1-1/4 X 3	117.91
JLG-2900350	P-U-11	2 X 3	63.17
JLG-2900351	I-U-10	1-1/2 X 3	82.04
JLG-2900352	P-U-10	1-1/4 X 2-1/2	98.00
JLG-2900357	P-U-10	2 X 3	93.55

REPLACEMENT KITS FOR JLG INDUSTRIES

Kit Number	Code (Pg. xviii)	Rod X Bore Size	List Price
JLG-2900364	P-U-10	1-1/4 X 3	\$60.79
JLG-2900367	P-U-11	1-1/4 X 3	85.27
JLG-2900368	P-U-11	2 X 3	199.88
JLG-2900379	P-U-8	1-1/4 X 3	128.51
JLG-2900381	P-U-11	1-1/4 X 2-1/2	46.49
JLG-2900398	P-U-11	1-1/2 X 2-1/2	117.60
JLG-2900400	O-RING KIT		4.82
JLG-2900408	I-U-11	1 X 2	27.04
JLG-2900409	2-1/2, 3-1/2 STAGES		41.09
JLG-2900412	2-1/2, 3-1/2, 4-5/8 STAGES		79.01
JLG-2900426	P-U-11	1-1/4 X 3	55.90
JLG-2900427	1-5/8" SWIVEL KIT		19.77
JLG-2900429	P-U-11	1-1/2 X 2-1/2	43.57
JLG-2900431	P-U-11	2 X 4	49.44
JLG-2900432	P-U-11	2 X 3	62.19
JLG-2900432M	P-U-13	2 X 3	53.00
JLG-2900454	P-U-11	1-1/2 X 4	45.07
JLG-2900469	P-U-11	2 X 5	72.02
JLG-2900473	I-U-10, 12	4 X 5-1/2	150.48
JLG-2900485	P-U-10	3/4 X 2	41.26
JLG-2900499	2-1/2, 3-1/2, 4-5/8 STAGES		121.10
JLG-2900511	2-1/2, 3-1/2 STAGES		71.79
JLG-2900578	I-U-11	1-1/4 X 2	33.72
JLG-2900579	P-U-9	2-1/2 X 5	295.14
JLG-2900683	O-RING KIT		6.71
JLG-2900700	P-OB-3	1-1/8 X 2	15.97
JLG-2900701	N-OB-13	1 X 1-1/2	14.55
JLG-2900770	Valve Kit		5.43
JLG-2900792	Valve Kit		11.19
JLG-2901007	I-U-10	2 X 3-1/2	39.61
JLG-2901009	O-RING KIT		10.20
JLG-2901034	I-OB-3	1-1/2 X 3-1/2	14.62
JLG-2901103	P-U-11	1-1/2 X 4	187.90
JLG-2901105	P-U-11	2-1/2 X 6	99.87
JLG-2901115	P-U-10	3 X 5	92.21
JLG-2901119	P-U-11	1-1/4 X 2-1/2	42.00
JLG-2901127	P-U-13	1 X 3	35.96
JLG-2901133	P-U-13	1-1/4 X 3	36.62
JLG-2901138	P-U-13	1-1/2 X 4	44.38
JLG-2901146	5" SWIVEL KIT		195.77
JLG-2901147	P-U-11	1 X 2	62.21
JLG-2901178	P-U-11	1-1/4 X 2	51.41
JLG-2901180	P-U-9	2-3/4 X 3-1/2	274.79

Kit Number	Code (Pg. xviii)	Rod X Bore Size	List Price
JLG-2901271	P-U-11	1-1/2 X 4	\$58.89
JLG-2901273	P-U-9	2-1/2 X 4	141.78
JLG-2901284	P-U-14	2-1/2 X 3-1/2	124.84
JLG-2901285	P-U-8	3 X 6	159.72
JLG-2901301	P-U-8	1-1/2 X 3-1/2	126.93
JLG-2901303	P-U-8	1-1/2 X 3	86.79
JLG-2901321	P-U-11	2-1/2 X 3-1/2	49.18
JLG-2901322	P-U-9	2-1/2 X 6-1/2	256.02
JLG-2901514	P-U-12,14	3-1/2 X 8	291.56
JLG-2901526	P-U-9	3-1/2 X 8	359.63
JLG-2901537	P-U-8	3 X 8	234.76
JLG-2901543	P-U-9	1-1/4 X 4	157.16
JLG-2901547	P-U-11	1-3/4 X 2-1/2	52.17
JLG-2901548	P-U-11	1-3/4 X 2-1/2	35.53
JLG-2901549	P-U-14	1-1/4 X 2-1/2	75.10
JLG-2901554	P-U-14	3 X 4	91.95
JLG-2901773	P-U-14	2 X 3-1/2	80.35
JLG-2901776	P-U-8	1-1/4 X 3	102.61
JLG-2901804	P-U-14	1-3/4 X 3	99.88
JLG-2901806	P-U-14	2-1/4 X 4	136.65
JLG-2901810	P-U-14	1-1/2 X 2-1/2	96.16
JLG-2901841	P-U-14	2-1/2 X 5	144.21
JLG-2901861	P-U-14	2 X 3	72.55
JLG-2901898	P-U-14	1-1/4 X 3	121.50
JLG-2902044	P-U-14	2-1/2 X 5	113.69
JLG-2902061	P-U-8	1-1/2 X 4	112.44
JLG-2902073	P-U-14	1-1/4 X 2	77.77
JLG-2902081	P-U-14	4 X 5	277.36
JLG-2902087	P-U-8	2 X 5	289.80
JLG-2902092	P-U-14	1-1/2 X 3	83.55
JLG-2902257	P-U-11	1-3/4 X 4	52.84
JLG-2902266	P-U-1	3-1/2	54.17
JLG-2902409	P-U-11	1-3/4 X 2-1/2	58.20
JLG-2915023	I-U-10	1-1/2 X 3-1/2	43.65
JLG-70001248	SWIVEL KIT	SWIVEL KIT	198.11
JLG-70001499	Filter Seal Kit		48.74
JLG-70002332	P-U-15	45 mm X 75 mm	99.88
JLG-70002341	P-U-15	50 mm X 90 mm	84.52
JLG-70002350	P-U-15	32 mm X 75 mm	55.17
JLG-70002370	P-U-12,15	40 mm X 63 mm	180.34
JLG-70002751	I-U-10	38 mm X 75 mm	116.08
JLG-70002757	I-U-10	32 X 63 mm	54.60
JLG-7000312	1-1/2" PISTON KIT		28.10

JLG

REPLACEMENT KITS FOR JLG INDUSTRIES

Kit Number	Code (Pg. xviii)	Rod X Bore Size	List Price
JLG-70003836	P-U-14	36 mm X 63 mm	\$77.13
JLG-70003842	P-U-14	40 mm X 75 mm	119.12
JLG-70003859	P-U-14	40 mm X 100 mm	180.05
JLG-70004128	P-U-14	40 mm X 90 mm	143.37
JLG-70005321	Drive Hub Kit		315.93
JLG-7001625	I-U-10	1-1/4 X 2-1/2	54.28
JLG-70020432	P-UB-14	2-5/8 X 3-1/4	148.90
JLG-70021452	I-U-10	1-1/4 X 2-1/2	12.62
JLG-70021453	I,P-U-10	1-1/2 X 3	43.77
JLG-70021495	I-U-10	50 X 100 mm	179.29
JLG-70021548	P-UB-4,14	2-1/2 X 6	196.37
JLG-70021574	P-UB-14	2-1/2 X 5-3/4	410.08
JLG-70021598	P-UB-14	3 X 4-3/4	257.60
JLG-70021632	P-UB-14	3-1/2 X 5-1/2	364.69
JLG-70021639	P-UB-14	2 X 4	188.66
JLG-70021641	P-UB-4,14	3-1/2 X 6	230.70
JLG-70021775	P-UB-14	2-5/8 X 3-1/4	192.52
JLG-70022041	I-U-10	1-3/4 X 3-1/2	30.06
JLG-70022061	P-UB-14	3-3/4 X 7	273.92
JLG-70022093	P-U-14	2-1/2 X 5-3/4	235.03
JLG-70022098	P-U-4,14	2-1/2 X 6	220.58
JLG-70022178	I-U-10	50 X 100 mm	146.38
JLG-70022858	P-UB-14	3 X 4	118.08
JLG-70022864	P-UB-14	2 X 4	151.68
JLG-70023387	P-UB-14	75 X 120 mm	144.52
JLG-70023393	P-UB-14	90 mm X 140 mm	148.23
JLG-70023397	P-UB-14	90 X 150 mm	137.45
JLG-70023899	I-U-10	2-1/2 X 5	95.88
JLG-70023943	P-UB-14	2 X 4	198.83
JLG-70023986	P-U-14	2-1/2 X 5-3/4	231.82
JLG-70023991	P-U-4,14	2-1/2 X 6	221.95
JLG-70024003	Valve Kit		28.76
JLG-70024012	P-UB-14	2-1/2 X 5-1/2	225.01
JLG-70024013	P-UB-14	2-1/2 X 5-1/2	205.87
JLG-70024217	P-UB-10	2-1/2 X 5	70.04
JLG-70024549	I-U-13	25 X 63 mm	78.26
JLG-7010543	Valve Kit		11.97
JLG-7011112	O-rings + Back-ups		32.29
JLG-7012693	Valve Kit		11.47
JLG-7012773	Valve Kit		45.33
JLG-7012903	Cartridge Kit		15.20
JLG-7012953	Cartridge Kit		7.50
JLG-7012998	O-rings + Back-ups		9.09

Kit Number	Code (Pg. xviii)	Rod X Bore Size	List Price
JLG-7013187	Swivel		\$128.96
JLG-7016342	Rotary Kit		120.85
JLG-7017157	N-TR-10	1-7/8 X 3-5/8	138.17
JLG-7017158	N-TR-5,11	2-1/8 X 3-1/2	194.17
JLG-7017159	Misc		145.45
JLG-7017227	I-U-10	3/4 X 1-1/2	48.46
JLG-7017246	I-U-10	1-3/4 X 2-1/2	95.63
JLG-7017265	I-U-10	3/4 X 1-1/2	44.00
JLG-7017402	Cartridge Kit		18.26
JLG-7017496	Valve Kit		9.30
JLG-7019673	Fitting Kit		20.97
JLG-7019830	P-U-8	2 X 3	231.29
JLG-7021625	O-rings + Back-ups		30.25
JLG-7022399	O-rings + Back-ups		10.85
JLG-7024100	Hub Assembly Kit		30.95
JLG-7024102	I-U-10	2-1/4 X 3	38.61
JLG-7024744	Rotary Kit		137.00
JLG-7024748	Shaft Seal Kit		309.08
JLG-7024765	Brake Seal Kit		52.73
JLG-70026022	I-U-14	3-1/4 X 5	205.73
JLG-70026025	I-U-14	3 X 6	242.72
JLG-70026029	I-U-14	3-1/2 X 6	213.14
JLG-70026038	I-UB-10	3 X 5	148.50
JLG-70026043	I-UB-10	3-1/4 X 5	148.50
JLG-70026044	P-U-10	85 X 120	165.54
JLG-70026048	P-U-10	90 X 145	171.69
JLG-70026052	P-U-10	90 X 120	167.77
JLG-70026062	P-U-14	45 X 90	154.42
JLG-7026467	P-UB-14	3 X 4-3/4	302.85
JLG-7026475	P-UB-4,14	2-1/2 X 6	197.00
JLG-7026934	P-UB-14	2 X 4	209.07
JLG-7026944	P-UB-14	2-1/2 X 5-3/4	310.36
JLG-7026961	P-UB-14	3-1/2 X 5-1/2	364.81
JLG-7026969	P-UB-4,14	3-1/2 X 6	229.81
JLG-70027696	P-UB-14	60 X 115	171.17
JLG-70027704	I-U-14	75 X 115	106.03
JLG-70027857	I-U-10	45 X 110	80.28
JLG-70028159	I-U-14	1-1/2 X 3-3/4	80.41
JLG-70028408	I-U-10	2-1/2 X 6	127.72
JLG-7028739	I-U-14	1-1/2 X 3-3/4	82.93
JLG-70028953	I-U-4,14	2-1/2 X 6	180.50
JLG-70028954	I-U-10,14	3 X 6	150.42
JLG-70028955	I-UB-10	3 X 4-1/2	63.99

REPLACEMENT KITS FOR JLG INDUSTRIES

Kit Number	Code (Pg. xviii)	Rod X Bore Size	List Price
JLG-70028961	I-UB-10,14	3 X 5	\$236.33
JLG-70028981	I-U-14	1-3/4 X 4-1/4	119.82
JLG-70028986	I-U-14	1-3/4 X 4	76.96
JLG-70028988	I-U-10	1-1/2 X 3-1/2	33.43
JLG-7017215	I-U-10	1-1/2 X 3	68.79
JLG-7023559	I-U-10	35 mm X 60 mm	49.57
JLG-7029127	I-U-10	50 X 100 mm	101.87
JLG-7029527	I-U-10	45 mm X 90 mm	202.46
JLG-7029529	I-U-10	45 X 90 mm	70.57
JLG-7029959	N-N-10	5	17.37
JLG-7029980	P-UB-1	2-1/2	48.44
JLG-8032718	I-U-10	3 X 5-1/2	42.61
JLG-8032730	I-U-10	2 X 115 mm	28.69
JLG-8033489	I-U-10	1-1/8 X 2-1/4	59.09
JLG-8033731	I-U-10	3 X 6	46.55
JLG-8033747	I-U-10	2 X 4-1/2	33.50
JLG-8033801	I-U-10	1-1/8 X 2-1/2	74.20
JLG-8034690	P-U-10	1-1/8 X 2-1/4	67.21
JLG-8034691	P-U-10	1 X 2-1/2	76.41
JLG-8034695	I-U-5,14	1-3/4 X 4-1/4	178.85
JLG-8034819	O-rings		124.33
JLG-8035326	I-U-14	2-1/4 X 4-1/2	232.45
JLG-8035327	Valve Kit		22.78
JLG-8035386	I-U-10,14	3 X 6	240.55
JLG-8035519	I-U-10,14	3 X 5	234.95
JLG-8035720	I-U-15,10,10	2 X 5	202.57
JLG-8035732	I-U-15	3 X 5	221.76
JLG-8035780	I-U-4,14	2-1/2 X 6	266.61
JLG-8035830	I-U-10	1-1/2 X 3-1/2	52.82
JLG-8035831	I-U-10,14	1-3/4 X 4	117.00
JLG-8035981	I-U-10	50 X 100 mm	176.44
JLG-8036131	I-U-14	1-1/2 X 3-3/4	146.08
JLG-8036132	I-U-14	2-3/4 X 5	216.60
JLG-8036180	Valve Kit		82.10
JLG-8036294	I-UB-10	3 X 4-1/2	128.74

Kit Number	Code (Pg. xviii)	Rod X Bore Size	List Price
JLG-8036295	I-UB-10,14	3 X 5	\$236.33
JLG-8036328	I-UB-10	3 X 4-1/4	95.83
JLG-8036475	I-UB-10	2-3/4 X 4	109.14
JLG-8036502	I-UB-10	3 X 4-1/2	97.98
JLG-8036746	I-U-14	3 X 6	191.51
JLG-8036747	I-U-14	2-1/4 X 4-1/2	161.61
JLG-8036782	I-U-14	2-3/4 X 5	173.76
JLG-8036784	I-U-14	3 X 5	174.76
JLG-8036786	I-U-14	2-1/2 X 6	168.02
JLG-8205655	Valve Kit		20.04
JLG-8205656	O-rings + Back-ups		26.36
JLG-8205657	Valve Kit		12.87
JLG-8205667	P-U-10	3 X 4-1/2	41.52
JLG-8205668	P-U-10	3 X 5-1/2	62.12
JLG-91144190	Steering Control Unit Seal Kit		64.04
JLG-91404157	P-UB-14	2 X 4-1/2	188.97
JLG-91404172	P-UB-14	2 X 3-1/2	163.25
JLG-91404206	P-UB-14	2 X 4-1/2	283.04
JLG-91404382	Cartridge Kit		82.75
JLG-91144003	P-UB-10	2-3/4 X 4-1/4	121.52
JLG-91144004	P-UB-10	2-1/2 X 5	65.47
JLG-91164005	P-UB-10	3 X 5	102.76
JLG-91474090	P-U-10	50 mm X 100 mm	267.14
JLG-91514020	P-UB-14	3-3/4 X 7	293.65
JLG-91514036	P-UB-14	3 X 4	178.31
JLG-91514050	P-UB-14	2-1/2 X 4-3/4	262.46
JLG-91514063	P-UB-14	2 X 4	203.75
JLG-91514220	O-rings		12.07
JLG-91514226	Spool		33.47
JLG-91514251	O-rings + Back-ups		25.69
JLG-91514281	P-UB-14	2-1/2 X 5-1/2	220.06
JLG-91514285	P-UB-14	2-1/2 X 5-1/2	245.17

OIL SEALS

Part Number	List Price
JLG-70001739	\$161.95
JLG-70025857	85.11
JLG-70026002	120.61
JLG-7028721	94.77
JLG-80304173	100.56
JLG-8036754	160.10

REPLACEMENT SEAL KITS FOR JOHN DEERE® EQUIPMENT*

Replacement Seal Kits By Machine Type

NEW MODELS

Table of Contents

UPDATES

Machine Type		Page
Backhoe Loaders	210K, 210K EP, 210L, 210LE, 310D, 310E, 310G, 310J, 310K, 310K EP, 310L, 310SE, 310SG, 310SL, 310SJ, 310SK, 310SK TC, 315SE, 401D, 410D, 410E, 410G, 410J, 410K, 410L, 410K TC, 415B, 510D, 515B, 710D, 710G, 710J, 710K	706 - 721
Compactors	646, 646B, 646C	721
Crawler Dozers Loaders	450G, 450H, 450J, 455G, 550G, 550H, 550J, 550K, 555G, 650G, 650H, 650J, 650K, 655B, 700H, 700J, 700K, 750C, 750C-II, 750J, 750K, 850C, 850C-II, 850J, 850JR, 850K	721 - 728
Excavators	80, 85D, 85G, 110, 120, 120C, 120D, 130G , 135C, 135D, 135G, 160 LC, 160C LC, 160D LC, 160GLC, 180GLC, 190E, 200 LC, 200C LC, 200D LC, 210GLC, 225C LC, 225DLC, 230 LC, 230C LC, 240D LC, 245GLC, 250GLC, 270C LC, 270D LC, 290D, 290GLC, 300GLC, 330 LC, 330C LC, 350D LC, 350GLC, 370, 370C, 450 LC, 450C LC, 450D LC, 470GLC, 490E, 590D, 670GLC, 690CR, 690E, 690E LC, 790E LC, 792D, 792D LC, 892D, 892D LC, 892E, 892E LC, 992D, 992D LC, 992E, 992E LC	728 - 743
Excavators - Compact	17D, 17G, 26G, 27 ZTS, 27C ZTS, 27D, 35 ZTS, 35C ZTS, 35D, 35G, 50G, 50 ZTS, 50C ZTS, 50D, 50G, 60D, 60G, 75C, 75D, 75G, 80C	744 - 748
Forestry - FellerBunchers	743, 743A Tree Harvesters	749
Forestry - Track Feller Bunchers	493D, 653E, 693B, 693C, 693D, 753J, 793D, 803M , 853, 853M	749 - 751
Forestry - Tree Harvesters	803MH , 853MH	751
Forestry - Wheel Feller Bunchers	643K , 643L , 843K , 843L	751 - 754
Forestry - Wheel Skidders	648L , 748H , 748L	754 - 755
Knuckle Boom Loaders	435C, 437C	755 - 756
Loaders - Skid Steer	240, 250, 260, 270, 280, 317, 318D, 318E, 318G, 320, 320D, 320E, 323D, 325, 326D, 326E, 328, 328D, 328E, 329D, 330G, 332, 332D, 332E, 332G, 333D, CT322, CT332	756 - 760
Loaders - Track SkidSteer	317G, 319D, 319E, 323E, 324E, 329E, 331G, 333E, 333G	760 - 762
Loaders - Wheel	244J, 244K, 444G, 444H, 444H LL, 444J, 444K, 524K, 544G, 544H, 544H LL, 544J, 544K, 624E, 624G, 624H, 624J, 624K, 624KR, 644G, 644H, 644J, 644K, 724J, 724K, 744E, 744H, 744J, 744K, 824J, 824K, 844K, TC44H, TC54H	762 - 771
Motor Graders	570, 570A, 570B, 670, 670A, 670B, 672A, 672B, 770, 770A, 770B, 772A, 772B	771 - 772
Scrapers	762, 762A, 762B, 862B, 1312C, 1510C, 1512C, 1810C, 1812C, 1814C, 2112C, 5010	772 - 774
Skidders	340D, 440, 440A, 440B, 440C Skidders/Grapple Skidders, 440D, 448 Skidders/Grapple Skidders, 540, 540A, 540B, 540D, 548D Grapple Skidders, 640 Skidders/Grapple Skidders, 640D, 648D Grapple Skidders, 648H, 740, 740A, 3605 Grapple Skidders	774 - 776
Tractors	1023E, 1025R, 2025R, 2032R, 2038R, 3025E, 3032E, 3033R, 3038E, 3039R, 3046R, 4044M, 4044R, 4052M, 4052R, 4066M, 4066R, 4105, 5045E, 5055E, 5065E, 5075E 5085E, 5100E, 6115M, 6115R	776 - 785
Alpha-Numeric Kit Listing		786 - 792
John Deere Individual Parts		792 - 801

The following models are available online at www.HerculesUS.com or by calling your regional sales team.

Backhoe Loaders	210C, 300B, 302A, 310, 310A, 310B, 310C, 401C, 410, 410B, 410C, 500A, 500B, 500C, 510, 510B, 510C, 610B, 610C, 710B, 710C
Crawler Dozers/Loaders	350, 350B, 350C, 350D, 355D, 450, 450B, 450C, 450D, 450E, 455D, 455E, 550, 550A, 550B, 555, 555A, 555B, 655, 750B, 850, 850B
Excavators	70, 70D, 490D, 495D, 690, 690A, 690B, 690C, 690D, 790, 790D, 792, 890, 890A, 990
Loaders - Wheel	300, 344E, 400, 401A, 444, 444C, 444CH, 444D, 444E, 544, 544A, 544B, 544C, 544D, 544E, 544E LL, 544E TC, 644, 644A, 644B, 644C, 644D, 644E, 644ER, 844
Scrapers	760, 760A, 860, 860A, 860B, 862

All manufacturer's names, part numbers and descriptions are used for reference purposes only. We do not imply that any part shown is the product of these manufacturers. We also do not imply that the list price shown is exactly that of the manufacturer.

FORMERLY LISTED REPAIR PARTS ARE AVAILABLE ONLINE AT WWW.HERCULESUS.COM
OR BY CONTACTING YOUR REGIONAL HERCULES SALES TEAM.

Replacement Kits For

JOHN DEERE®

Backhoe Loaders								
APPLICATION	CYL #	SERIAL #	Misc	CODE	ROD	BORE	KIT #	List \$
MODEL 210K								
BOOM	AH211203			P-UB-1	50 mm		JD-AH210484	54.78
	AH211203			N-N-10		80 mm	JD-AH212092	48.69
BUCKET	AH219634			P-UB-1	50 mm		JD-AH210484	54.78
	AH219634			N-N-10		90 mm	JD-AH212097	20.94
HITCH (Lift)	CB11479922			P-U-10	2	3	JD-CB11479459	30.11
HITCH (Pitch)	CB11492745			P-U-10	1-1/4	2-1/2	JD-CB11473942	23.11
HITCH (Tilt)	CB11469866			P-U-10	2	3	JD-CB11473940	30.11
STEERING	AT326542			I-U-10	40 mm	65 mm	JD-T218502	151.46
MODEL 210K EP								
BOOM (Lift)	AHC11108			P-UB-1	50 mm		JD-AHC11573	146.30
	AHC11108			N-N-10		80 mm	JD-AH212092	48.69
BUCKET	AHC15426			P-UB-1	50 mm		JD-AHC11573	146.30
	AHC15426			N-N-10		80 mm	JD-AH212092	48.69
HITCH (Lift)	CB11479922			P-U-10	2	3	JD-CB11479459	30.11
HITCH (Pitch)	CB11492745			P-U-10	1-1/4	2-1/2	JD-CB11473942	23.11
HITCH (Tilt)	CB11469866			P-U-10	2	3	JD-CB11473940	30.11
STEERING	AT326542			I-U-10	40 mm	65 mm	JD-T218502	151.46
MODEL 210L								
LOADER BOOM LIFT	AHC14408			P-UB-1	50 mm		JD-AHC11573	146.30
	AHC14408			N-N-10		80 mm	JD-AH212092	48.69
	AHC14408			Piston		80 mm	JD-AH165826	167.70
	AHC16566			P-UB-1	50 mm		JD-AHC11573	146.30
	AHC16566			N-N-10		80 mm	JD-AH212092	48.69
	AHC16566			Piston		80 mm	JD-AH165826	167.70
LOADER BUCKET	AHC14450			P-UB-1	50 mm		JD-AHC16954	89.84
	AHC14450			N-N-10		90 mm	JD-AH212097	20.94
	AHC14450			Piston		90 mm	JD-AH205060	259.13
LOADER BUCKET MP	AHC15426			P-UB-1	50 mm		JD-AHC16954	89.84
	AHC15426			N-N-10		80 mm	JD-AH212092	48.69
	AHC15426			Piston		80 mm	JD-AH173410	211.36
STEERING	AT326542			I-U-10	40 mm	65 mm	JD-T218502	151.46
MODEL 210LE								
BOOM	AH146874	-882700		P-UB-1	50 mm		JD-AH210484	54.78
	AH146874	-882700		N-N-14		80 mm	JD-AH212091	112.58
	AH211203	882701-		P-UB-1	50 mm		JD-AH210484	54.78
	AH211203	882701-		N-N-10		80 mm	JD-AH212092	48.69
	AH146873	-880293		P-UB-1	45 mm		JD-AH147868	43.10
BUCKET	AH146873	-880293		N-N-14		80 mm	JD-AH212091	112.58
	AH173567	880294-883527		P-UB-1	50 mm		JD-AH210484	54.78
	AH173567	880294-883527		N-N-14		90 mm	JD-AH212096	88.71
	AH210737	882701-		I-U-14	50 mm	3	JD-AH209022	103.26
	AH216338	883528-		P-UB-1	50 mm		JD-AH210484	54.78
	AH216338	883528-		N-N-14		90 mm	JD-AH212096	88.71
	AT183862	845681-881738		I-U-7	2	2-1/2	JD-AT216094	44.70
	CB11452636	881739-882728		P-U-5	2	3	JD-CB11439894	50.56
HITCH (Lift)	CB11453663	882729-885634	Gland CB01455862	I-U-10	2	3	JD-CB11457276	48.47
	CB11453663	881737-882733	Gland CB01439785	P-U-5	2	3	JD-CB11439894	50.56
	CB11469836	888001-888453		P-U-10	2	3	JD-CB11479459	30.11
	CB11471350	-845680		I-U-7	2	2-1/2	JD-AT216094	44.70
	CB11472418	-845680		I-U-7	2	2-1/2	JD-AT216094	44.70
	AT183261	835632-880053		I-U-5	1-1/8	2-1/2	JD-AT216093	41.76
	AT187377	880054-881745		I-U-5	1-1/8	2-1/2	JD-AT216093	41.76
	AT216032	-835631		I-U-5	1-1/8	2-1/2	JD-AT216093	41.76

LA - Long Arm LGP - Low Ground Pressure LT - Long Track MFWD - Mechanical Front Wheel Drive MP - Multi-Purpose
 IDM - Inside Dozer Mount ODM - Outside Dozer Mount SLF - Super Long Front STD - Straight Dozer WT - Wide Track

Replacement Kits For

JOHN DEERE®

JOHN DEERE®

Backhoe Loaders								
APPLICATION	CYL #	SERIAL #	Misc	CODE	ROD	BORE	KIT #	List \$
MODEL 210LE								
HITCH (Pitch)	CB11439085	881746-882706		P-U-5	1-1/4	2-1/2	JD-CB11439892	45.68
	CB11453665	882707-885634		I-U-10	1-1/4	2-1/2	JD-CB11457277	103.44
	CB11471348			P-U-10	1-1/4	2-1/2	JD-CB11473942	23.11
HITCH (Tilt)		880054-881736		I-U-7	2	2-1/2	JD-AT216095	44.70
	AT183258	-880053		I-U-7	2	2-1/2	JD-AT216095	44.70
	CB11471347	882734-		P-U-10	2	3	JD-CB11473940	30.11
	CB11471347	882701-882733		P-U-10	2	3	JD-CB11473940	30.11
	CB11471347	881737-882700		P-U-5	2	3	JD-CB11439893	50.61
STEERING	AH216821	-888000		P-UB-1	25 mm		JD-AH149810	62.20
	AH216821	-888000		N-N-10		50 mm	JD-AH167552	8.87
	AT326542	888001-		I-U-10	40 mm	65 mm	JD-T218502	151.46
STEERING (w/Limited Slip)	AT195570	-410911		I-U-10	36 mm	65 mm	JD-T153744	130.08
	AT195570	410912-		I-U-10	38 mm	65 mm	JD-T213801	145.55
STEERING (w/o Limited Slip)	AT195570	394242-		I-U-10	38 mm	65 mm	JD-T213801	145.55
	AT195570	-394241		I-U-10	36 mm	65 mm	JD-T153744	130.08
MODEL 310D								
BACKHOE ARM				P-UB-1	56 mm		JD-RE31716	118.05
				N-N-14		100 mm	JD-AH149844	111.98
BACKHOE BOOM				N-N-14		115 mm	JD-AH149846	157.90
	RE31721	740893-		P-UB-1	56 mm		JD-RE31716	118.05
BACKHOE BUCKET		817498-		P-UB-1	50 mm		JD-AH148164	57.00
				N-N-14		90 mm	JD-AH149843	88.71
	AH211073	-817497		P-UB-1	50 mm		JD-RE20595	67.60
	AH211073	-817497		N-N-14		90 mm	JD-AH212096	88.71
	AH211073	817498-		N-N-14		90 mm	JD-AH212096	88.71
BACKHOE STABILIZER				P-UB-1	50 mm		JD-AH148164	57.00
				N-N-14		100 mm	JD-AH149844	111.98
				N-N-14		100 mm	JD-AH137687	93.75
CROWD	AH154776			P-UB-1	56 mm		JD-RE31716	118.05
	AH154776			N-N-14		100 mm	JD-AH212101	106.57
EXT DIPPERSTICK	AH154784	787834-		P-UB-1	45 mm		JD-RE20434	76.53
	AH154784	787834-		N-N-10		80 mm	JD-AH212092	48.69
LOADER BOOM				P-UB-1	45 mm		JD-RE20434	76.53
				N-N-14		80 mm	JD-AH149842	89.42
	AH154778			I,P-UB-1	45 mm		JD-AH149813	79.07
	AH154778			N-N-14		80 mm	JD-AH212091	112.58
LOADER BUCKET				P-UB-1	45 mm		JD-RE20434	76.53
				N-N-14		90 mm	JD-AH149843	88.71
	AH154793			I,P-UB-1	45 mm		JD-AH149813	79.07
	AH154793			N-N-14		90 mm	JD-AH212096	88.71
STABILIZER	AH135635	-817458		P-UB-1	50 mm		JD-RE20595	67.60
	AH135635	-817458		N-N-14		100 mm	JD-AH212101	106.57
	AH135636	-817458		P-UB-1	50 mm		JD-RE20595	67.60
	AH135636	-817458		N-N-14		100 mm	JD-AH212101	106.57
	AH143513	-817458		P-UB-1	50 mm		JD-RE20595	67.60
	AH143513	-817458		N-N-14		100 mm	JD-AH212101	106.57
	AH143514	-817458		P-UB-1	50 mm		JD-RE20595	67.60
	AH143514	-817458		N-N-14		100 mm	JD-AH212101	106.57
SWING				P-UB-1	50 mm		JD-AH148164	57.00
				N-N-14		100 mm	JD-AH149844	111.98
	AH136574	-817517		P-UB-1	50 mm		JD-RE20595	67.60
	AH145619	-817517		N-N-14		100 mm	JD-AH212101	106.57
MODEL 310E								
BACKHOE BOOM				P-UB-1	56 mm		JD-AH149814	77.82
				N-N-14		110 mm	JD-AH212585	118.62

LA - Long Arm LGP - Low Ground Pressure LT - Long Track MFWD - Mechanical Front Wheel Drive MP - Multi-Purpose
 IDM - Inside Dozer Mount ODM - Outside Dozer Mount SLF - Super Long Front STD - Straight Dozer WT - Wide Track

FORMERLY LISTED REPAIR PARTS ARE AVAILABLE ONLINE AT WWW.HERCULESUS.COM
 OR BY CONTACTING YOUR REGIONAL HERCULES SALES TEAM.

Replacement Kits For

JOHN DEERE®

Backhoe Loaders								
APPLICATION	CYL #	SERIAL #	Misc	CODE	ROD	BORE	KIT #	List \$
MODEL 310E								
BACKHOE BUCKET				P-UB-1	50 mm		JD-AH210484	54.78
				N-N-14		80 mm	JD-AH212091	112.58
BACKHOE CROWD		837444-		P-UB-1	63 mm		JD-AH149815	79.22
		-837443		P-UB-1	56 mm		JD-AH149814	77.82
		-837443		N-N-14		110 mm	JD-AH212585	118.62
		837444-		N-N-14		110 mm	JD-AH212585	118.62
BACKHOE STABILIZER LH	AH149971			P-UB-1	50 mm		JD-AH210484	54.78
	AH149971			N-N-14		80 mm	JD-AH212091	112.58
	AH176122			P-UB-1	50 mm		JD-AH210484	54.78
	AH176122			N-N-10		80 mm	JD-AH212092	48.69
	AH219499			P-UB-1	50 mm		JD-AH210484	54.78
	AH219499			N-N-10		80 mm	JD-AH212092	48.69
BACKHOE STABILIZER RH	AH149972			P-UB-1	50 mm		JD-AH210484	54.78
	AH149972			N-N-14		80 mm	JD-AH212091	112.58
	AH173202			P-UB-1	50 mm		JD-AH210484	54.78
	AH173202			N-N-10		80 mm	JD-AH212092	48.69
	AH219500			P-UB-1	50 mm		JD-AH210484	54.78
	AH219500			N-N-10		80 mm	JD-AH212092	48.69
BUCKET (MP)				I-U-10	2	3	JD-AT190898	109.49
LOADER BOOM				P-UB-1	50 mm		JD-AH210484	54.78
				N-N-14		80 mm	JD-AH212091	112.58
LOADER BUCKET				P-UB-1	45 mm		JD-AH147868	43.10
				N-N-14		80 mm	JD-AH212091	112.58
MODEL 310G								
BACKHOE BOOM	AH146874	-926493		P-UB-1	50 mm		JD-AH210484	54.78
	AH146874	-926493		N-N-14		80 mm	JD-AH212091	112.58
	AH211131	-926129		P-UB-1	56 mm		JD-AH149814	77.82
	AH211131	926130-		P-UB-1	56 mm		JD-AH149814	77.82
	AH211131	-926129 ; 926130-		N-N-14		110 mm	JD-AH149845	141.24
BACKHOE BUCKET	AH209080	910901-925926 ; 925927-		P-UB-1	50 mm		JD-AH210484	54.78
	AH209080	910900		P-UB-1	50 mm		JD-AH210484	54.78
	AH209080	910901-925926 ; 925927-		N-N-10		80 mm	JD-AH212092	48.69
	AH209080	910900		N-N-14		80 mm	JD-AH212091	112.58
BACKHOE CROWD	AH157980			P-UB-1	63 mm		JD-AH149815	79.22
	AH157980			N-N-14		110 mm	JD-AH149845	141.24
BACKHOE STABILIZER	AH219499	925947-951996		P-UB-1	50 mm		JD-AH210484	54.78
	AH219499	925947-951996		N-N-10		80 mm	JD-AH212092	48.69
	AH219500	-902497		N-N-14		80 mm	JD-AH212091	112.58
	AH219500	902498-		N-N-10		80 mm	JD-AH212092	48.69
BACKHOE SWING	AH220099	-957128 ; 957129-		I,P-UB-1	45 mm		JD-AH149813	79.07
	AH220099	-957128		N-N-14		80 mm	JD-AH149842	89.42
	AH220099	957129-		N-N-14		80 mm	JD-AH212091	112.58
BUCKET (MP)				I-U-10	2	3	JD-AT190898	109.49
EXT DIPPERSTICK	AH218606	953471-		I-U-1	32 mm		JD-AH148823	54.99
	AH218606	953471-		N-N-10		63 mm	JD-AH212088	17.67
LOADER BUCKET	AH216338	-941225 ; 941226-		P-UB-1	50 mm		JD-AH210484	54.78
	AH216338	-941225 ; 941226-		N-N-14		90 mm	JD-AH212096	88.71
MODEL 310J								
BACKHOE BOOM	AH219632			P-UB-1	56 mm		JD-AH149814	77.82
	AH219632			N-N-14		110 mm	JD-AH149845	141.24
BACKHOE BUCKET	AH219631			P-UB-1	50 mm		JD-AH210484	54.78
	AH219631			N-N-10		80 mm	JD-AH212092	48.69
BACKHOE CROWD	AH219633			P-UB-1	63 mm		JD-AH149815	79.22

LA - Long Arm LGP - Low Ground Pressure LT - Long Track MFWD - Mechanical Front Wheel Drive MP - Multi-Purpose
 IDM - Inside Dozer Mount ODM - Outside Dozer Mount SLF - Super Long Front STD - Straight Dozer WT - Wide Track

Replacement Kits For

JOHN DEERE®

Backhoe Loaders								
APPLICATION	CYL #	SERIAL #	Misc	CODE	ROD	BORE	KIT #	List \$
MODEL 310J								
BACKHOE CROWD	AH219633			N-N-14		110 mm	JD-AH212585	118.62
BACKHOE STABILIZER	AH219499			P-UB-1	50 mm		JD-AH210484	54.78
	AH219499			N-N-10		80 mm	JD-AH212092	48.69
	AH219500			P-UB-1	50 mm		JD-AH210484	54.78
	AH219500			N-N-10		80 mm	JD-AH212092	48.69
BACKHOE SWING	AH220099			I,P-UB-1	45 mm		JD-AH149813	79.07
	AH220099			N-N-14		80 mm	JD-AH212091	112.58
BACKHOE THUMB	AH233825			P-UB-1	50 mm		JD-AH210484	54.78
	AH233825			N-N-10		90 mm	JD-AH212097	20.94
EXT DIPPERSTICK	AH218606			I-U-1	32 mm		JD-AH148823	54.99
	AH218606			N-N-10		63 mm	JD-AH212088	17.67
LOADER BOOM LIFT	AH211203			P-UB-1	50 mm		JD-AH210484	54.78
	AH211203			N-N-10		80 mm	JD-AH212092	48.69
LOADER BUCKET	AH219634			P-UB-1	50 mm		JD-AH210484	54.78
	AH219634			N-N-10		90 mm	JD-AH212097	20.94
STEERING	AT326542			I-U-10	40 mm	65 mm	JD-T218502	151.46
MODEL 310K								
BACKHOE BUCKET	AHC11124	208446-		P-UB-1	50 mm		JD-AHC11573	146.30
	AHC11124	208446-		N-N-10		80 mm	JD-AH212092	48.69
BACKHOE STABILIZER (LH)	AHC11111	208446-		N-N-10		80 mm	JD-AH212092	48.69
	AHC11111	208446-		P-UB-1	50 mm		JD-AHC11573	146.30
BACKHOE STABILIZER (RH)	AHC11112	208446-		N-N-10		80 mm	JD-AH212092	48.69
	AHC11112	208446-		P-UB-1	50 mm		JD-AHC11573	146.30
BACKHOE THUMB	AHC11115	207436-		P-UB-1	50 mm		JD-AHC11573	146.30
	AHC11115	207436-		N-N-10		90 mm	JD-AH212097	20.94
BOOM LIFT	AHC11108			P-UB-1	50 mm		JD-AHC11573	146.30
	AHC11108			N-N-10		80 mm	JD-AH212092	48.69
FRONT COUPLER	AH217348			I-U-10	25 mm	40 mm	JD-AH176272	35.66
LOADER BUCKET	AHC11107	202928-		P-UB-1	50 mm		JD-AHC11573	146.30
	AHC11107	202928-		N-N-10		90 mm	JD-AH212097	20.94
SWING	AHC11319	203194-		I,P-UB-1	45 mm		JD-AHC11572	112.05
	AHC11319	203194-		N-N-14		80 mm	JD-AH212091	112.58
MODEL 310K EP								
BACKHOE BUCKET	AHC11124	208446-		P-UB-1	50 mm		JD-AHC11573	146.30
	AHC11124	208446-		N-N-10		80 mm	JD-AH212092	48.69
BACKHOE STABILIZER (LH)	AHC11111	208446-		N-N-10		80 mm	JD-AH212092	48.69
	AHC11111	208446-		P-UB-1	50 mm		JD-AHC11573	146.30
BACKHOE STABILIZER (RH)	AHC11112	208446-		N-N-10		80 mm	JD-AH212092	48.69
	AHC11112	208446-		P-UB-1	50 mm		JD-AHC11573	146.30
BACKHOE THUMB	AHC11115	207436-		P-UB-1	50 mm		JD-AHC11573	146.30
	AHC11115	207436-		N-N-10		90 mm	JD-AH212097	20.94
BOOM LIFT	AHC11108			N-N-10		80 mm	JD-AH212092	48.69
	AHC11573			P-UB-1	50 mm		JD-AHC11573	146.30
EXT DIPPERSTICK	AH234004			I-U-1	32 mm		JD-AH148823	54.99
	AH234004			N-N-10		63 mm	JD-AH212088	17.67
FRONT COUPLER	AH217348			I-U-10	25 mm	40 mm	JD-AH176272	35.66
LOADER BUCKET	AHC11107	202928-		P-UB-1	50 mm		JD-AHC11573	146.30
	AHC11107	202928-		N-N-10		90 mm	JD-AH212097	20.94
STEERING (MFWD)	AT326542			I-U-10	40 mm	65 mm	JD-T218502	151.46
SWING	AHC11319	203194-		I,P-UB-1	45 mm		JD-AHC11572	112.05
	AHC11319	203194-		N-N-14		80 mm	JD-AH212091	112.58

LA - Long Arm LGP - Low Ground Pressure LT - Long Track MFWD - Mechanical Front Wheel Drive MP - Multi-Purpose
 IDM - Inside Dozer Mount ODM - Outside Dozer Mount SLF - Super Long Front STD - Straight Dozer WT - Wide Track

FORMERLY LISTED REPAIR PARTS ARE AVAILABLE ONLINE AT WWW.HERCULESUS.COM
 OR BY CONTACTING YOUR REGIONAL HERCULES SALES TEAM.

Replacement Kits For

JOHN DEERE®

Backhoe Loaders								
APPLICATION	CYL #	SERIAL #	Misc	CODE	ROD	BORE	KIT #	List \$
MODEL 310L								
BACKHOE BOOM	AHC14426			RK-P-UB-1	56 mm		JD-AHC16683	71.97
	AHC14426			N-N-10,14		110 mm	JD-AHC20489	97.61
BACKHOE BUCKET	AHC14433			P-UB-1	50 mm		JD-AHC16954	89.84
	AHC14433			N-N-10		80 mm	JD-AH212092	48.69
	AHC14433			Piston		80 mm	JD-AH173410	211.36
BACKHOE CROWD	AHC144429	-343601		P-UB-1	63 mm		JD-AHC13362	108.85
	AHC144429	-343601		N-N-10,14		110 mm	JD-AHC20489	97.61
	AHC19406	343602-		P-UB-1	63 mm		JD-AHC13362	108.85
	AHC19406	343602-		N-N-10,14		110 mm	JD-AHC20489	97.61
BACKHOE EXT DIPPERSTICK	AHC14608			P-UB-1	32 mm		JD-AH161589	62.61
	AHC14608			N-N-10		63 mm	JD-AH212088	17.67
	AHC14608			Piston		63 mm	JD-AH142159	140.38
BACKHOE STABILIZER LH	AHC14413			P-UB-1	50 mm		JD-AHC16954	89.84
	AHC14413			N-N-10		80 mm	JD-AH212092	48.69
	AHC14413			Piston		80 mm	JD-AH173410	211.36
BACKHOE STABILIZER RH	AHC14414			P-UB-1	50 mm		JD-AHC16954	89.84
	AHC14414			N-N-10		80 mm	JD-AH212092	48.69
	AHC14414			Piston		80 mm	JD-AH173410	211.36
BACKHOE SWING	AHC14473	-304844		I,P-UB-1	45 mm		JD-AHC11572	112.05
	AHC14473	-304844		N-N-10,14		80 mm	JD-AHC20488	83.49
	AHC18271	304845-		I,P-UB-1	45 mm		JD-AHC11572	112.05
	AHC18271	304845-		N-N-10,14		80 mm	JD-AHC20488	83.49
LOADER BOOM	AHC13491	-001211, 001298-		P-UB-1	50 mm		JD-AHC16954	89.84
	AHC13491	-001211, 001298-		N-N-10		80 mm	JD-AH212092	48.69
	AHC13491	-001211, 001298-		Piston		80 mm	JD-AH165826	167.70
	AHC14408	001212-001297, - 339570		P-UB-1	50 mm		JD-AHC16954	89.84
	AHC14408	001212-001297, - 339570		N-N-10		80 mm	JD-AH212092	48.69
	AHC14408	001212-001297, - 339570		Piston		80 mm	JD-AH165826	167.70
	AHC16566	339571-		P-UB-1	50 mm		JD-AHC16954	89.84
	AHC16566	339571-		N-N-10		80 mm	JD-AH212092	48.69
	AHC16566	339571-		Piston		80 mm	JD-AH165826	167.70
LOADER BUCKET	AHC13490	001298-		P-UB-1	50 mm		JD-AHC16954	89.84
	AHC13490	001298-		N-N-10		90 mm	JD-AH212097	20.94
	AHC13490	001298-		Piston		90 mm	JD-AH205060	259.13
	AHC13493	-001211		P-UB-1	50 mm		JD-AHC16954	89.84
	AHC13493	-001211		N-N-10		90 mm	JD-AH212097	20.94
	AHC13493	-001211		Piston		90 mm	JD-AH205060	259.13
	AHC14405	001212-		P-UB-1	50 mm		JD-AHC16954	89.84
	AHC14405	001212-		N-N-10		90 mm	JD-AH212097	20.94
	AHC14405	001212-		Piston		90 mm	JD-AH205060	259.13
	AHC14450			P-UB-1	50 mm		JD-AHC16954	89.84
	AHC14450			N-N-10		90 mm	JD-AH212097	20.94
	AHC14450			Piston		90 mm	JD-AH205060	259.13
	LOADER QUICK COUPLER	AHC14445			I-U-1	25 mm		JD-AHC16980
AHC14445				N-N-10,14		40 mm	JD-AHC17687	66.03
MULTI-PURPOSE	AHC15426			P-UB-1	50 mm		JD-AHC16954	89.84
	AHC15426			N-N-10		80 mm	JD-AH212092	48.69
	AHC15426			Piston		80 mm	JD-AH173410	211.36
STEERING MFWD	AT326542			I-U-10	40 mm	65 mm	JD-T218502	151.46
THUMB	AHC14415			P-UB-1	50 mm		JD-AHC16954	89.84
	AHC14415			N-N-10		90 mm	JD-AH212097	20.94

LA - Long Arm LGP - Low Ground Pressure LT - Long Track MFWD - Mechanical Front Wheel Drive MP - Multi-Purpose
 IDM - Inside Dozer Mount ODM - Outside Dozer Mount SLF - Super Long Front STD - Straight Dozer WT - Wide Track

Replacement Kits For

JOHN DEERE®

Backhoe Loaders								
APPLICATION	CYL #	SERIAL #	Misc	CODE	ROD	BORE	KIT #	List \$
MODEL 310SE								
BACKHOE BOOM	AH211132			P-UB-1	56 mm		JD-AH149814	77.82
	AH211132			N-N-14		120 mm	JD-AH149847	170.26
BACKHOE CROWD	AH164137	837258-873598		P-UB-1	63 mm		JD-AH149815	79.22
	AH164137	837258-873598		N-N-14		115 mm	JD-AH212103	157.90
BACKHOE STABILIZER LH	AH207327			P-UB-1	50 mm		JD-AH210484	54.78
	AH207327			N-N-14		90 mm	JD-AH212096	88.71
	AH210901			P-UB-1	50 mm		JD-AH210484	54.78
	AH210901			N-N-10		90 mm	JD-AH212097	20.94
	AH219537			P-UB-1	50 mm		JD-AH210484	54.78
	AH219537			N-N-10		90 mm	JD-AH212097	20.94
BACKHOE STABILIZER RH	AH207328			P-UB-1	50 mm		JD-AH210484	54.78
	AH207328			N-N-14		90 mm	JD-AH212096	88.71
	AH210902			P-UB-1	50 mm		JD-AH210484	54.78
	AH210902			N-N-10		90 mm	JD-AH212097	20.94
	AH219538			P-UB-1	50 mm		JD-AH210484	54.78
	AH219538			N-N-10		90 mm	JD-AH212097	20.94
EXT ARM	AH211361			I,P-UB-1	45 mm		JD-AH149813	79.07
	AH211361			N-N-14		70 mm	JD-AH212089	49.69
EXT DIPPERSTICK	AH211361			I,P-UB-1	45 mm		JD-AH149813	79.07
	AH211361			N-N-14		70 mm	JD-AH212089	49.69
LOADER BOOM	AH146874			P-UB-1	50 mm		JD-AH210484	54.78
	AH146874			N-N-14		80 mm	JD-AH212091	112.58
LOADER BOOM LIFT	AH211206			P-UB-1	50 mm		JD-AH210484	54.78
	AH211206			N-N-10		80 mm	JD-AH212092	48.69
LOADER BUCKET	AH146873	-881677		P-UB-1	45 mm		JD-AH147868	43.10
	AH146873	-881677		N-N-14		80 mm	JD-AH212091	112.58
	AH216338	881678-		P-UB-1	50 mm		JD-AH210484	54.78
	AH216338	881678-		N-N-14		90 mm	JD-AH212096	88.71
SWING	AH147888			P-UB-1	50 mm		JD-AH210484	54.78
	AH147888			N-N-14		90 mm	JD-AH212096	88.71
MODEL 310SG								
BACKHOE BUCKET	AH149791	-926788		P-UB-1	63 mm		JD-AH149815	79.22
	AH149791	-926788		N-N-14		100 mm	JD-AH212101	106.57
	AH208379	-926129		P-UB-1	56 mm		JD-AH149814	77.82
	AH208379	926130-		P-UB-1	56 mm		JD-AH149814	77.82
	AH208379	-926129		N-N-14		90 mm	JD-AH212096	88.71
	AH208379	926130-		N-N-14		90 mm	JD-AH212096	88.71
	AH220526	926789-		P-UB-1	63 mm		JD-AH149815	79.22
	AH220526	926789-		N-N-14		100 mm	JD-AH212101	106.57
BACKHOE CROWD	AH164137			P-UB-1	63 mm		JD-AH149815	79.22
	AH164137			N-N-14		115 mm	JD-AH212103	157.90
BACKHOE STABILIZER	AH210901	-926206		P-UB-1	50 mm		JD-AH210484	54.78
	AH210901	-926206		N-N-14		90 mm	JD-AH212096	88.71
	AH219537	926207-952148		P-UB-1	50 mm		JD-AH210484	54.78
	AH219537	926207-952148		N-N-10		90 mm	JD-AH212097	20.94
EXT BACKHOE STABILIZER	AH212541	-925993		P-UB-1	50 mm		JD-AH210484	54.78
	AH212541	-925993		N-N-14		100 mm	JD-AH212101	106.57
EXT DIPPERSTICK	AH211361	910901-926427		I,P-UB-1	45 mm		JD-AH149813	79.07
	AH211361	-910900		I,P-UB-1	45 mm		JD-AH149813	79.07
	AH211361	910901-926427		N-N-10		70 mm	JD-AH212090	16.52
	AH211361	-910900		N-N-14		70 mm	JD-AH212089	49.69
	AH211361	-910900		N-N-14		70 mm	JD-RE20428	56.39
LOADER BOOM	AH211206	-910491		P-UB-1	50 mm		JD-AH210484	54.78
	AH211206	926249-		P-UB-1	50 mm		JD-AH210484	54.78

LA - Long Arm LGP - Low Ground Pressure LT - Long Track MFWD - Mechanical Front Wheel Drive MP - Multi-Purpose
 IDM - Inside Dozer Mount ODM - Outside Dozer Mount SLF - Super Long Front STD - Straight Dozer WT - Wide Track

FORMERLY LISTED REPAIR PARTS ARE AVAILABLE ONLINE AT WWW.HERCULESUS.COM
 OR BY CONTACTING YOUR REGIONAL HERCULES SALES TEAM.

JOHN DEERE®

Replacement Kits For

JOHN DEERE®

Backhoe Loaders								
APPLICATION	CYL #	SERIAL #	Misc	CODE	ROD	BORE	KIT #	List \$
MODEL 310SG								
LOADER BOOM	AH211206	910492-926248		P-UB-1	50 mm		JD-AH210484	54.78
	AH211206	926249-		N-N-10		80 mm	JD-AH212092	48.69
	AH211206	910492-926248		N-N-10		80 mm	JD-AH212092	48.69
	AH211206	-910491		N-N-14		80 mm	JD-AH212091	112.58
LOADER BUCKET	AH216338	941226-		P-UB-1	50 mm		JD-AH210484	54.78
	AH216338	-941225		P-UB-1	50 mm		JD-AH210484	54.78
	AH216338	-941225		N-N-14		90 mm	JD-AH212096	88.71
	AH216338	941226-		N-N-14		90 mm	JD-AH212096	88.71
SWING	AH220108	-957114		P-UB-1	50 mm		JD-AH210484	54.78
	AH220108	957115-		P-UB-1	50 mm		JD-AH210484	54.78
	AH220108	957115-		N-N-14		90 mm	JD-AH212096	88.71
	AH220108	-957114		N-N-14		90 mm	JD-AH212096	88.71
MODEL 310SJ								
BACKHOE BOOM	AH217444			P-UB-1	56 mm		JD-AH149814	77.82
	AH217444			N-N-14		120 mm	JD-AH149847	170.26
BACKHOE BUCKET	AH219636			P-UB-1	56 mm		JD-AH149814	77.82
	AH219636			N-N-14		90 mm	JD-AH212096	88.71
	AH219638			P-UB-1	63 mm		JD-AH149815	79.22
	AH219638			N-N-14		100 mm	JD-AH212101	106.57
BACKHOE CROWD	AH219637			P-UB-1	63 mm		JD-AH149815	79.22
	AH219637			N-N-14		115 mm	JD-AH212103	157.90
BACKHOE STABILIZER	AH219537			P-UB-1	50 mm		JD-AH210484	54.78
	AH219537			N-N-10		90 mm	JD-AH212097	20.94
	AH219538			P-UB-1	50 mm		JD-AH210484	54.78
	AH219538			N-N-10		90 mm	JD-AH212097	20.94
	AH219541			P-UB-1	50 mm		JD-AH210484	54.78
	AH219541			N-N-10		100 mm	JD-AH212102	66.68
	AH219542			P-UB-1	50 mm		JD-AH210484	54.78
	AH219542			N-N-10		100 mm	JD-AH212102	66.68
BACKHOE SWING	AH220108			P-UB-1	50 mm		JD-AH210484	54.78
	AH220108			N-N-14		90 mm	JD-AH212096	88.71
EXT DIPPERSTICK	AH211361			I,P-UB-1	40 mm		JD-AH149194	65.97
	AH211361			N-N-10		70 mm	JD-AH212090	16.52
LOADER BOOM LIFT	AH211206			P-UB-1	50 mm		JD-AH210484	54.78
	AH211206			N-N-10		80 mm	JD-AH212092	48.69
LOADER BUCKET	AH219634			P-UB-1	50 mm		JD-AH210484	54.78
	AH219634			N-N-10		90 mm	JD-AH212097	20.94
STEERING	AT326542			I-U-10	40 mm	65 mm	JD-T218502	151.46
MODEL 310SK								
BACKHOE BUCKET	AH219636			P-UB-1	56 mm		JD-AH149814	77.82
	AH219636			N-N-14		90 mm	JD-AH212096	88.71
	AH219638			P-UB-1	63 mm		JD-AH149815	79.22
	AH219638			N-N-14		100 mm	JD-AH212101	106.57
BACKHOE STABILIZER (LH)	AHC11115	208446-		P-UB-1	50 mm		JD-AHC11573	146.30
	AHC11115	208446-		N-N-10		90 mm	JD-AH212097	20.94
	AHC11117	208446-		P-UB-1	50 mm		JD-AHC11573	146.30
	AHC11117	208446-		N-N-10		100 mm	JD-AH212102	66.68
BACKHOE STABILIZER (RH)	AHC11116	208446-		P-UB-1	50 mm		JD-AHC11573	146.30
	AHC11116	208446-		N-N-10		90 mm	JD-AH212097	20.94
	AHC11118	208446-		P-UB-1	50 mm		JD-AHC11573	146.30
	AHC11118	208446-		N-N-10		100 mm	JD-AH212102	66.68
BACKHOE THUMB	AHC11115	207436-		P-UB-1	50 mm		JD-AHC11573	146.30
	AHC11115	207436-		N-N-10		90 mm	JD-AH212097	20.94

LA - Long Arm LGP - Low Ground Pressure LT - Long Track MFWD - Mechanical Front Wheel Drive MP - Multi-Purpose
 IDM - Inside Dozer Mount ODM - Outside Dozer Mount SLF - Super Long Front STD - Straight Dozer WT - Wide Track

JOHN DEERE®

Replacement Kits For

JOHN DEERE®

JOHN DEERE®

Backhoe Loaders								
APPLICATION	CYL #	SERIAL #	Misc	CODE	ROD	BORE	KIT #	List \$
MODEL 310SK								
BOOM LIFT	AHC11110			P-UB-1	50 mm		JD-AHC11573	146.30
	AHC11110			N-N-10		80 mm	JD-AH212092	48.69
CROWD	AH219637			P-UB-1	63 mm		JD-AH149815	79.22
	AH219637			N-N-14		115 mm	JD-AH212103	157.90
FRONT COUPLER	AH217348			I-U-10	25 mm	40 mm	JD-AH176272	35.66
LOADER BUCKET	AHC11107	202928-		P-UB-1	50 mm		JD-AHC11573	146.30
	AHC11107	202928-		N-N-10		90 mm	JD-AH212097	20.94
STEERING (MFWD)	AT326542			I-U-10	40 mm	65 mm	JD-T218502	151.46
SWING	AHC11321	203180-		P-UB-1	50 mm		JD-AHC11573	146.30
	AHC11321	203180-		N-N-14		90 mm	JD-AH212096	88.71
MODEL 310SK TC								
BACKHOE BUCKET	AH219638			P-UB-1	63 mm		JD-AH149815	79.22
	AH219638			N-N-14		100 mm	JD-AH212101	106.57
BACKHOE STABILIZER (LH)	AHC11117	208446-		P-UB-1	50 mm		JD-AHC11573	146.30
	AHC11117	208446-		N-N-10		100 mm	JD-AH212102	66.68
BACKHOE STABILIZER (RH)	AHC11118	208446-		P-UB-1	50 mm		JD-AHC11573	146.30
	AHC11118	208446-		N-N-10		100 mm	JD-AH212102	66.68
BACKHOE THUMB	AHC11115	207436-		P-UB-1	50 mm		JD-AHC11573	146.30
	AHC11115	207436-		N-N-10		90 mm	JD-AH212097	20.94
BOOM LIFT	AH216775			P-UB-1	56 mm		JD-AH149814	77.82
	AH216775			N-N-14		90 mm	JD-AH212096	88.71
FRONT COUPLER	AH217348			I-U-10	25 mm	40 mm	JD-AH176272	35.66
LOADER BUCKET	AH233998			P-UB-1	56 mm		JD-AH149814	77.82
	AH233998			N-N-14		100 mm	JD-AH212101	106.57
STEERING (MFWD)	AT326542			I-U-10	40 mm	65 mm	JD-T218502	151.46
SWING	AHC11321	203180-		P-UB-1	50 mm		JD-AHC11573	146.30
	AHC11321	203180-		N-N-14		90 mm	JD-AH212096	88.71
MODEL 310SL								
BACKHOE BOOM	AHC14400			P-UB-1	63 mm		JD-AHC13362	108.85
	AHC14400			N-N-14		125 mm	JD-AHC16760	162.20
	AHC15730			RK-P-UB-1	56 mm		JD-AHC16683	71.97
	AHC15730			N-N-14		120 mm	JD-AH149847	170.26
BACKHOE BUCKET	AHC14434			RK-P-UB-1	56 mm		JD-AHC16683	71.97
	AHC14434			N-N-10,14		90 mm	JD-AHC19979	81.82
BACKHOE BUCKET HEAVY DUTY	AHC15705			P-UB-1	63 mm		JD-AHC13362	108.85
	AHC15705			N-N-14		100 mm	JD-AHC19515	75.18
BACKHOE CROWD	AHC14430	-343157		P-UB-1	63 mm		JD-AHC13362	108.85
	AHC14430	-343157		N-N-14		115 mm	JD-AH212103	157.90
BACKHOE CROWD EXT DIPPERSTICK	AHC14448			I,P-UB-1	45 mm		JD-AHC11572	112.05
	AHC14448			N-N-10		80 mm	JD-AH212092	48.69
	AHC14477			I,P-UB-1	40 mm		JD-AHC13485	88.25
	AHC14477			N-N-10		70 mm	JD-AH212090	16.52
BACKHOE CROWD STD DIPPERSTICK	AHC16599	-343155		P-UB-1	63 mm		JD-AHC13362	108.85
	AHC16599	-343155		N-N-14		120 mm	JD-AH149847	170.26
	AHC19446	343158-		P-UB-1	63 mm		JD-AHC13362	108.85
	AHC19446	343158-		N-N-14		115 mm	JD-AH212103	157.90
	AHC19448	343156-		P-UB-1	63 mm		JD-AHC13362	108.85
	AHC19448	343156-		N-N-14		120 mm	JD-AH149847	170.26
BACKHOE STABILIZER EXT LH	AHC14417			P-UB-1	50 mm		JD-AHC16954	89.84
	AHC14417			N-N-10		100 mm	JD-AH212102	66.68

LA - Long Arm LGP - Low Ground Pressure LT - Long Track MFWD - Mechanical Front Wheel Drive MP - Multi-Purpose
 IDM - Inside Dozer Mount ODM - Outside Dozer Mount SLF - Super Long Front STD - Straight Dozer WT - Wide Track

FORMERLY LISTED REPAIR PARTS ARE AVAILABLE ONLINE AT WWW.HERCULESUS.COM
 OR BY CONTACTING YOUR REGIONAL HERCULES SALES TEAM.

Replacement Kits For

JOHN DEERE®

Backhoe Loaders								
APPLICATION	CYL #	SERIAL #	Misc	CODE	ROD	BORE	KIT #	List \$
MODEL 310SL								
BACKHOE STABILIZER EXT RH	AHC14418			P-UB-1	50 mm		JD-AHC16954	89.84
	AHC14418			N-N-10		100 mm	JD-AH212102	66.68
BACKHOE STABILIZER LH	AHC14415			P-UB-1	50 mm		JD-AHC16954	89.84
	AHC14415			N-N-10		90 mm	JD-AH212097	20.94
BACKHOE STABILIZER RH	AHC14416			P-UB-1	50 mm		JD-AHC16954	89.84
	AHC14416			N-N-10		90 mm	JD-AH212097	20.94
BACKHOE SWING	AHC16214	-304844		P-UB-1	50 mm		JD-AHC16954	89.84
	AHC16214	-304844		N-N-10,14		90 mm	JD-AHC19979	81.82
	AHC18280	304845-		P-UB-1	50 mm		JD-AHC16954	89.84
	AHC18280	304845-		N-N-10,14		90 mm	JD-AHC19979	81.82
GRAPPLE THUMB	AHC14415			P-UB-1	50 mm		JD-AHC16954	89.84
	AHC14415			N-N-10		90 mm	JD-AH212097	20.94
LOADER BOOM	AHC14410	-338469		P-UB-1	50 mm		JD-AHC16954	89.84
	AHC14410	-338469		N-N-10		80 mm	JD-AH212092	48.69
	AHC18267	338470-		P-UB-1	50 mm		JD-AHC16954	89.84
	AHC18267	338470-		N-N-10		80 mm	JD-AH212092	48.69
LOADER BUCKET	AHC14450			P-UB-1	50 mm		JD-AHC16954	89.84
	AHC14450			N-N-10		90 mm	JD-AH212097	20.94
LOADER BUCKET MP	AHC15426			P-UB-1	50 mm		JD-AHC16954	89.84
	AHC15426			N-N-10		80 mm	JD-AH212092	48.69
LOADER QUICK COUPLER	AHC14445			I-U-1	25 mm		JD-AHC16980	16.93
	AHC14445			N-N-10,14		40 mm	JD-AHC17687	66.03
STEERING	AT326542			I-U-10	40 mm	65 mm	JD-T218502	151.46
MODEL 315SE								
BACKHOE BOOM	AH211132			P-UB-1	56 mm		JD-AH149814	77.82
	AH211132			N-N-14		120 mm	JD-AH149847	170.26
BACKHOE CROWD	AH164137	870159-872967		P-UB-1	63 mm		JD-AH149815	79.22
	AH164137	870159-872967		N-N-14		115 mm	JD-AH212103	157.90
BACKHOE STABILIZER	AH154788			P-UB-1	45 mm		JD-RE20434	76.53
	AH154788			N-N-14		70 mm	JD-AH212089	49.69
	AH211348			I,P-UB-1	45 mm		JD-AH149813	79.07
	AH211348			N-N-14		70 mm	JD-AH212089	49.69
	RE32168			P-UB-1	45 mm		JD-RE20434	76.53
	RE32168			N-N-14		70 mm	JD-AH212089	49.69
EXT ARM	AH211361			I,P-UB-1	45 mm		JD-AH149813	79.07
	AH211361			N-N-14		70 mm	JD-AH212089	49.69
EXT DIPPERSTICK	AH211361			I,P-UB-1	45 mm		JD-AH149813	79.07
	AH211361			N-N-14		70 mm	JD-AH212089	49.69
LOADER BOOM	AH146874			P-UB-1	50 mm		JD-AH210484	54.78
	AH146874			N-N-14		80 mm	JD-AH212091	112.58
LOADER BOOM LIFT	AH211206			P-UB-1	50 mm		JD-AH210484	54.78
	AH211206			N-N-10		80 mm	JD-AH212092	48.69
LOADER BUCKET	AH146873	-881677		P-UB-1	45 mm		JD-AH147868	43.10
	AH146873	-881677		N-N-14		80 mm	JD-AH212091	112.58
	AH216338	881678-		P-UB-1	50 mm		JD-AH210484	54.78
	AH216338	881678-		N-N-14		90 mm	JD-AH212096	88.71
SWING	AH147888			P-UB-1	50 mm		JD-AH210484	54.78
	AH147888			N-N-14		90 mm	JD-AH212096	88.71
MODEL 401D								
Backhoe Arrangement 9250B								
BACKHOE BOOM		All		P-V-1	2		JD-RE16119	35.25
		All		N-N-14		4	JD-RE16118	105.13
BACKHOE BUCKET		All		P-V-8	1-3/4	3	JD-RE18751	48.69
BACKHOE CROWD		All		P-V-8	1-3/4	3-1/2	JD-RE18755	61.45

LA - Long Arm LGP - Low Ground Pressure LT - Long Track MFWD - Mechanical Front Wheel Drive MP - Multi-Purpose
 IDM - Inside Dozer Mount ODM - Outside Dozer Mount SLF - Super Long Front STD - Straight Dozer WT - Wide Track

Replacement Kits For

JOHN DEERE®

Backhoe Loaders								
APPLICATION	CYL #	SERIAL #	Misc	CODE	ROD	BORE	KIT #	List \$
MODEL 401D								
Backhoe Arrangement			9250B					
BACKHOE STABILIZER		All		P-V-8	1-3/4	3-1/2	JD-RE18754	76.24
BACKHOE SWING		All		P-U-10	1-3/4	3-1/2	JD-RE18756	64.47
LOADER BOOM LIFT		Non-Self Lvl Bucket		P-V-8	1-3/4	2-3/4	JD-RE19220	51.54
		Self Lvl Bucket		P-V-1	1-3/4		JD-RE16209	41.28
		Self Lvl Bucket		N-N-14		3-1/4	JD-RE30816	86.85
LOADER BUCKET TILT		Self Lvl Bucket		P-V-8	1-1/4	2-1/2	JD-AR105453	47.45
		Non-Self Lvl Bucket		P-V-8	1-1/2	2-1/2	JD-RE19217	40.05
STEERING		All		P-U-10	7/8	2	JD-RE18749	32.77
MODEL 410D								
BACKHOE BOOM	AH135265	All	Std Boom	P-UB-1	63 mm		JD-RE25151	144.81
	AH135265	All	Std Boom	N-N-14		115 mm	JD-RE31140	155.26
	RE15647	All	Hvy Lift Boom	P-V-1	2-1/2		JD-RE14745	57.81
	RE15647	All	Hvy Lift Boom	N-N-14		5	JD-RE14744	134.63
BACKHOE BUCKET	RE25622	All		P-UB-1	50 mm		JD-RE20595	67.60
	RE25622	All		N-N-14		90 mm	JD-RE20430	63.85
BACKHOE CROWD	AH135266	All	Hvy Lift Boom	P-UB-1	63 mm		JD-RE25151	144.81
	AH135266	All	Hvy Lift Boom	N-N-14		115 mm	JD-RE31140	155.26
	AH138661	All	Std Boom	P-UB-1	56 mm		JD-RE31716	118.05
	AH138661	All	Std Boom	N-N-14		100 mm	JD-AH137687	93.75
BACKHOE STABILIZER	AH135635	All		P-UB-1	50 mm		JD-RE20595	67.60
	AH135636	All		N-N-14		100 mm	JD-AH137687	93.75
BACKHOE SWING	RE33472	All		P-UB-1	50 mm		JD-RE20595	67.60
	RE33472	All		N-N-14		100 mm	JD-AH137687	93.75
DIPPER EXT (1.2M)	AH141377			P-UB-1	45 mm		JD-RE20434	76.53
	AH141377			N-N-10		80 mm	JD-RE37003	19.99
	AT10163			I-U-5	1-1/2	3	JD-AT79722	61.96
DIPPER EXT (1.5M)	AH141378			P-UB-1	45 mm		JD-RE20434	76.53
	AH141378			N-N-10		80 mm	JD-RE37003	19.99
	AT84174			I-U-5	1-1/2	3	JD-AT79722	61.96
LOADER BOOM LIFT	AH138931	All		P-UB-1	45 mm		JD-RE20434	76.53
	AH138931	All		N-N-14		90 mm	JD-RE20430	63.85
LOADER BUCKET TILT	RE38227	All		P-UB-1	45 mm		JD-RE20434	76.53
	RE38227	All		N-N-14		90 mm	JD-RE20430	63.85
LOADER CLAM	AT142578	All		P-U-10	2	3	JD-AT142582	64.47
STEERING	AT195570			I-U-10	36 mm	65 mm	JD-T153744	130.08
STEERING (Power)	AH134479	780659-		P-UB-1	25 mm		JD-RE21875	66.70
	AH134479	780659-		N-N-10		2-1/4	JD-RE30100	8.66
	AH13930	-780658		P-UB-1	25 mm		JD-RE21875	66.70
	AH13930	-780658		N-N-10		2	JD-AH137789	8.14
MODEL 410E								
BACKHOE BOOM	AH175366			P-UB-1	63 mm		JD-AH149815	79.22
	AH175366			N-N-14		125 mm	JD-AH149848	222.45
BACKHOE BUCKET	AH220526			P-UB-1	63 mm		JD-AH149815	79.22
	AH220526			N-N-14		100 mm	JD-AH212101	106.57
BACKHOE CROWD	AH164138	-837228		P-UB-1	63 mm		JD-AH149815	79.22
	AH164138	837229-873597		P-UB-1	63 mm		JD-AH149815	79.22
	AH164138	873598-		P-UB-1	63 mm		JD-AH149815	79.22
	AH164138	837229-873597		N-N-14		115 mm	JD-AH212103	157.90
	AH164138	873598-		N-N-14		115 mm	JD-AH212103	157.90
	AH164138	-837228		N-N-14		115 mm	JD-AH212103	157.90
BACKHOE DIPPER STICK	AH209719			N-N-14		70 mm	JD-AH212089	49.69
BACKHOE STABILIZER	AH219541			P-UB-1	50 mm		JD-AH210484	54.78
	AH219541			N-N-14		100 mm	JD-AH212101	106.57
BACKHOE SWING	AH147888			P-UB-1	50 mm		JD-AH210484	54.78

LA - Long Arm LGP - Low Ground Pressure LT - Long Track MFWD - Mechanical Front Wheel Drive MP - Multi-Purpose
 IDM - Inside Dozer Mount ODM - Outside Dozer Mount SLF - Super Long Front STD - Straight Dozer WT - Wide Track

FORMERLY LISTED REPAIR PARTS ARE AVAILABLE ONLINE AT WWW.HERCULESUS.COM
 OR BY CONTACTING YOUR REGIONAL HERCULES SALES TEAM.

JOHN DEERE®

Replacement Kits For

JOHN DEERE®

Backhoe Loaders								
APPLICATION	CYL #	SERIAL #	Misc	CODE	ROD	BORE	KIT #	List \$
MODEL 410E								
BACKHOE SWING	AH147888			N-N-14		90 mm	JD-AH212096	88.71
LOADER BOOM	AH211206			P-UB-1	50 mm		JD-AH210484	54.78
	AH211206			N-N-14		80 mm	JD-AH212091	112.58
	AH211206			N-N-10		80 mm	JD-AH212092	48.69
LOADER BUCKET	AH146873	-88167		P-UB-1	45 mm		JD-AH147868	43.10
	AH146873	-88167		N-N-14		80 mm	JD-AH212091	112.58
	AH216338	881678-		N-N-14		90 mm	JD-AH212096	88.71
MODEL 410G								
BACKHOE BOOM		-945072		P-UB-1	63 mm		JD-AH149815	79.22
		-945072		N-N-14		125 mm	JD-AH149848	222.45
	AH175366	945073-		P-UB-1	63 mm		JD-AH149815	79.22
	AH175366	945073-		N-N-14		125 mm	JD-AH149848	222.45
BACKHOE BUCKET	AH149791	-926799		P-UB-1	63 mm		JD-AH149815	79.22
	AH149791	-926799		N-N-14		100 mm	JD-AH212101	106.57
	AH220526	926800-		P-UB-1	63 mm		JD-AH149815	79.22
	AH220526	926800-		N-N-14		100 mm	JD-AH212101	106.57
BACKHOE STABILIZER		925994-952006		P-UB-1	50 mm		JD-AH210484	54.78
		-925993		P-UB-1	50 mm		JD-AH210484	54.78
		-925993		N-N-14		100 mm	JD-AH212101	106.57
		925994-952006		N-N-10		100 mm	JD-AH212102	66.68
	AH219541	952007-		P-UB-1	50 mm		JD-AH210484	54.78
	AH219541	952007-		N-N-10		100 mm	JD-AH212102	66.68
	AH219542	952007-		P-UB-1	50 mm		JD-AH210484	54.78
	AH219542	952007-		N-N-10		100 mm	JD-AH212102	66.68
BACKHOE SWING		-957114		P-UB-1	50 mm		JD-AH210484	54.78
		-957114		N-N-14		90 mm	JD-AH212096	88.71
	AH220108	957115-		P-UB-1	50 mm		JD-AH210484	54.78
	AH220108	957115-		N-N-14		90 mm	JD-AH212096	88.71
BOOM	AH211206	926301-		P-UB-1	50 mm		JD-AH210484	54.78
	AH211206	926301-		N-N-10		80 mm	JD-AH212092	48.69
BOOM LIFT	AH211206	810495-926300		P-UB-1	50 mm		JD-AH210484	54.78
	AH211206	-910494		P-UB-1	50 mm		JD-AH210484	54.78
	AH211206	810495-926300		N-N-10		80 mm	JD-AH212092	48.69
	AH211206	-910494		N-N-14		80 mm	JD-AH212091	112.58
BUCKET (MP)		-925076		I-U-10	2	3	JD-AT190898	109.49
CROWD	AH164138			P-UB-1	63 mm		JD-AH149815	79.22
	AH164138			N-N-14		115 mm	JD-AH212103	157.90
EXT CROWD		-911725		I,P-UB-1	45 mm		JD-AH149813	79.07
		911726-927725		I,P-UB-1	45 mm		JD-AH149813	79.07
		911726-927725		N-N-10		70 mm	JD-AH212090	16.52
		-911725		N-N-14		70 mm	JD-AH212089	49.69
	AH209719	927726-		I,P-UB-1	40 mm		JD-AH149194	65.97
	AH209719	927726-		N-N-10		70 mm	JD-AH212090	16.52
LOADER BUCKET	AH216338	-941225		P-UB-1	50 mm		JD-AH210484	54.78
	AH216338	941226-		P-UB-1	50 mm		JD-AH210484	54.78
	AH216338	-941225		N-N-14		90 mm	JD-AH212096	88.71
	AH216338	941226-		N-N-14		90 mm	JD-AH212096	88.71
				w/o MFWD	N-N-10		2-1/4	JD-RE30100
MODEL 410J								
BACKHOE BOOM	AH219639			P-UB-1	63 mm		JD-AH149815	79.22
	AH219639			N-N-14		125 mm	JD-AH149848	222.45
BACKHOE BUCKET	AH219638			P-UB-1	63 mm		JD-AH149815	79.22
	AH219638			N-N-14		100 mm	JD-AH212101	106.57

LA - Long Arm LGP - Low Ground Pressure LT - Long Track MFWD - Mechanical Front Wheel Drive MP - Multi-Purpose
 IDM - Inside Dozer Mount ODM - Outside Dozer Mount SLF - Super Long Front STD - Straight Dozer WT - Wide Track

Replacement Kits For

JOHN DEERE®

JOHN DEERE®

Backhoe Loaders								
APPLICATION	CYL #	SERIAL #	Misc	CODE	ROD	BORE	KIT #	List \$
MODEL 410J								
BACKHOE THUMB	AH233825			P-UB-1	50 mm		JD-AH210484	54.78
	AH233825			N-N-10		90 mm	JD-AH212097	20.94
BOOM LIFT	AH211206			P-UB-1	50 mm		JD-AH210484	54.78
	AH211206			N-N-10		80 mm	JD-AH212092	48.69
BUCKET (MP)	AH210737			I-U-14	50 mm	3	JD-AH209022	103.26
CROWD	AH219640			P-UB-1	63 mm		JD-AH149815	79.22
	AH219640			N-N-14		115 mm	JD-AH212103	157.90
EXT DIPPERSTICK	AH209719			I,P-UB-1	40 mm		JD-AH149194	65.97
	AH209719			N-N-10		70 mm	JD-AH212090	16.52
LOADER BOOM	AH211206			P-UB-1	50 mm		JD-AH210484	54.78
	AH211206			N-N-10		80 mm	JD-AH212092	48.69
LOADER BUCKET	AH219634			P-UB-1	50 mm		JD-AH210484	54.78
	AH219634			N-N-10		90 mm	JD-AH212097	20.94
STABILIZER	AH219541			P-UB-1	50 mm		JD-AH210484	54.78
	AH219541			N-N-10		100 mm	JD-AH212102	66.68
	AH219542			P-UB-1	50 mm		JD-AH210484	54.78
	AH219542			N-N-10		100 mm	JD-AH212102	66.68
STEERING	AT326542			I-U-10	40 mm	65 mm	JD-T218502	151.46
SWING	AH220108			P-UB-1	50 mm		JD-AH210484	54.78
	AH220108			N-N-14		90 mm	JD-AH212096	88.71
MODEL 410K								
BACKHOE BUCKET	AH219638			P-UB-1	63 mm		JD-AH149815	79.22
	AH219638			N-N-14		100 mm	JD-AH212101	106.57
BACKHOE STABILIZER (LH)	AHC11115	208446-		P-UB-1	50 mm		JD-AHC11573	146.30
	AHC11115	208446-		N-N-10		90 mm	JD-AH212097	20.94
	AHC11117	208446-		P-UB-1	50 mm		JD-AHC11573	146.30
	AHC11117	208446-		N-N-10		100 mm	JD-AH212102	66.68
BACKHOE STABILIZER (RH)	AHC11116	208446-		P-UB-1	50 mm		JD-AHC11573	146.30
	AHC11116	208446-		N-N-10		90 mm	JD-AH212097	20.94
	AHC11118	208446-		P-UB-1	50 mm		JD-AHC11573	146.30
	AHC11118	208446-		N-N-10		100 mm	JD-AH212102	66.68
BACKHOE THUMB	AHC11115	207436-		P-UB-1	50 mm		JD-AHC11573	146.30
	AHC11115	207436-		N-N-10		90 mm	JD-AH212097	20.94
BOOM LIFT	AHC11110			P-UB-1	50 mm		JD-AHC11573	146.30
	AHC11110			N-N-10		80 mm	JD-AH212092	48.69
FRONT COUPLER	AH217348			I-U-10	25 mm	40 mm	JD-AH176272	35.66
LOADER BUCKET	AHC11107	202928-		P-UB-1	50 mm		JD-AHC11573	146.30
	AHC11107	202928-		N-N-10		90 mm	JD-AH212097	20.94
STEERING (MFWD)	AT326542			I-U-10	40 mm	65 mm	JD-T218502	151.46
SWING	AHC11321	203180-		P-UB-1	50 mm		JD-AHC11573	146.30
	AHC11321	203180-		N-N-14		90 mm	JD-AH212096	88.71
MODEL 410K TC								
BACKHOE BUCKET	AH219638			P-UB-1	63 mm		JD-AH149815	79.22
	AH219638			N-N-14		100 mm	JD-AH212101	106.57
BACKHOE STABILIZER (LH)	AHC11117	208446-		P-UB-1	50 mm		JD-AHC11573	146.30
	AHC11117	208446-		N-N-10		100 mm	JD-AH212102	66.68
	AHC11118	208446-		P-UB-1	50 mm		JD-AHC11573	146.30
	AHC11118	208446-		N-N-10		100 mm	JD-AH212102	66.68
BACKHOE THUMB	AHC11115	207436-		P-UB-1	50 mm		JD-AHC11573	146.30
	AHC11115	207436-		N-N-10		90 mm	JD-AH212097	20.94
BOOM LIFT	AH216775			P-UB-1	56 mm		JD-AH149814	77.82
	AH216775			N-N-14		90 mm	JD-AH212096	88.71
FRONT COUPLER	AH217348			I-U-10	25 mm	40 mm	JD-AH176272	35.66

LA - Long Arm LGP - Low Ground Pressure LT - Long Track MFWD - Mechanical Front Wheel Drive MP - Multi-Purpose
 IDM - Inside Dozer Mount ODM - Outside Dozer Mount SLF - Super Long Front STD - Straight Dozer WT - Wide Track

FORMERLY LISTED REPAIR PARTS ARE AVAILABLE ONLINE AT WWW.HERCULESUS.COM
 OR BY CONTACTING YOUR REGIONAL HERCULES SALES TEAM.

Replacement Kits For

JOHN DEERE®

Backhoe Loaders								
APPLICATION	CYL #	SERIAL #	Misc	CODE	ROD	BORE	KIT #	List \$
MODEL 410K TC								
LOADER BUCKET	AH233998			P-UB-1	56 mm		JD-AH149814	77.82
	AH233998			N-N-14		100 mm	JD-AH212101	106.57
STEERING (MFWD)	AT326542			I-U-10	40 mm	65 mm	JD-T218502	151.46
SWING	AHC11323	206264-		P-UB-1	50 mm		JD-AHC11573	146.30
	AHC11323	206264-		N-N-14		90 mm	JD-AH212096	88.71
MODEL 410L								
BACKHOE BOOM	AHC15707			P-UB-1	70 mm		JD-AHC16724	124.66
	AHC15707			PK-N-N-14		140 mm	JD-AHC15497	60.25
BACKHOE BUCKET	AHC15705			P-UB-1	63 mm		JD-AHC13362	108.85
	AHC15705			N-N-14		100 mm	JD-AHC19515	75.18
BACKHOE CROWD	AHC16608	-343159		P-UB-1	63 mm		JD-AHC13362	108.85
	AHC16608	-343159		N-N-14		120 mm	JD-AH149847	170.26
	AHC19456	343160-		P-UB-1	63 mm		JD-AHC13362	108.85
	AHC19456	343160-		N-N-14		120 mm	JD-AH149847	170.26
BACKHOE DIPPERSTICK	AHC14449			I,P-UB-1	45 mm		JD-AHC11572	112.05
	AHC14449			N-N-10		80 mm	JD-AH212092	48.69
	AHC14449			Piston		80 mm	JD-RE33968	215.24
BACKHOE STABILIZER LH	AHC14417			P-UB-1	50 mm		JD-AHC16954	89.84
	AHC14417			N-N-10		100 mm	JD-AH212102	66.68
	AHC14417			Piston		90 mm	JD-AH205062	430.96
BACKHOE STABILIZER RH	AHC14418			P-UB-1	50 mm		JD-AHC16954	89.84
	AHC14418			N-N-10		100 mm	JD-AH212102	66.68
	AHC14418			Piston		90 mm	JD-AH205062	430.96
BACKHOE SWING	AHC14475	-304844		P-UB-1	50 mm		JD-AHC16954	89.84
	AHC14475	-304844		N-N-10,14		90 mm	JD-AHC19979	81.82
	AHC18280	304845-		P-UB-1	50 mm		JD-AHC16954	89.84
	AHC18280	304845-		N-N-10,14		90 mm	JD-AHC19979	81.82
LOADER BOOM	AHC14410	-338467		P-UB-1	50 mm		JD-AHC16954	89.84
	AHC14410	-338467		N-N-10		80 mm	JD-AH212092	48.69
	AHC14410	-338467		Piston		80 mm	JD-AH165826	167.70
	AHC18267	338468-		P-UB-1	50 mm		JD-AHC16954	89.84
	AHC18267	338468-		N-N-10		80 mm	JD-AH212092	48.69
	AHC18267	338468-		Piston		80 mm	JD-AH165826	167.70
LOADER BUCKET	AHC14450			P-UB-1	50 mm		JD-AHC16954	89.84
	AHC14450			N-N-10		90 mm	JD-AH212097	20.94
	AHC14450			Piston		90 mm	JD-AH205060	259.13
LOADER BUCKET MP	AHC15426			P-UB-1	50 mm		JD-AHC16954	89.84
	AHC15426			N-N-10		80 mm	JD-AH212092	48.69
	AHC15426			Piston		80 mm	JD-AH173410	211.36
LOADER QUICK COUPLER	AHC14445			I-U-1	25 mm		JD-AHC16980	16.93
	AHC14445			N-N-10,14		40 mm	JD-AHC17687	66.03
STEERING	AT326542			I-U-10	40 mm	65 mm	JD-T218502	151.46
THUMB	AHC14415			P-UB-1	50 mm		JD-AHC16954	89.84
	AHC14415			N-N-10		90 mm	JD-AH212097	20.94
	AHC14415			Piston		90 mm	JD-AH205060	259.13
MODEL 415B								
BACKHOE BOOM		All		P-V-1	2-1/4		JD-RE14208	50.41
		All		N-N-14		4-1/2	JD-RE14523	109.04
BACKHOE BUCKET		All		P-U-1	2-1/2		JD-RE14516	50.70
		All		N-N-14		3-1/2	JD-RE16076	101.90
BACKHOE CROWD		All		P-V-1	2		JD-RE16119	35.25
		All		N-N-14		4	JD-RE16118	105.13
BACKHOE STABILIZER		All		N-N-14		3	JD-RE14082	93.27
BACKHOE SWING		All		P-U-1	2		JD-RE14556	33.49
		All		N-N-10		4	JD-RE14555	101.40

LA - Long Arm LGP - Low Ground Pressure LT - Long Track MFWD - Mechanical Front Wheel Drive MP - Multi-Purpose
 IDM - Inside Dozer Mount ODM - Outside Dozer Mount SLF - Super Long Front STD - Straight Dozer WT - Wide Track

Replacement Kits For

JOHN DEERE®

Backhoe Loaders								
APPLICATION	CYL #	SERIAL #	Misc	CODE	ROD	BORE	KIT #	List \$
MODEL 415B								
LOADER BOOM LIFT		All		P-V-1	1-3/4		JD-RE16209	41.28
		All		N-N-14		3-1/4	JD-RE30816	86.85
LOADER BUCKET TILT		All		P-V-1	1-3/4		JD-RE30874	38.40
		All		N-N-14		3-1/2	JD-RE14517	100.77
STEERING		All		P-U-1	1		JD-RE14552	17.67
		All		N-N-10		2	JD-RE14551	15.23
MODEL 510D								
BACKHOE BOOM	RE15647	All		P-V-1	2-1/2		JD-RE14745	57.81
	RE15647	All		N-N-14		5	JD-RE14744	134.63
BACKHOE BUCKET	RE25622	All		P-UB-1	45 mm		JD-RE20434	76.53
	RE25622	All		N-N-14		90 mm	JD-RE20430	63.85
BACKHOE CROWD	AH135266	All		P-UB-1	63 mm		JD-RE25151	144.81
	AH135266	All		N-N-14		115 mm	JD-RE31140	155.26
BACKHOE STABILIZER	AH135635	All		P-UB-1	50 mm		JD-RE20595	67.60
	AH135635	All		N-N-14		100 mm	JD-AH137687	93.75
	AH135636			P-UB-1	50 mm		JD-RE20595	67.60
	AH135636			N-N-14		100 mm	JD-AH137687	93.75
BACKHOE SWING	RE33472	All		P-UB-1	50 mm		JD-RE20595	67.60
	RE33472	All		N-N-14		100 mm	JD-AH137687	93.75
DIPPER EXTENSION	AH141378			P-UB-1	45 mm		JD-RE20434	76.53
	AH141378			N-N-10		80 mm	JD-RE37003	19.99
	AT84174			I-U-5	1-1/2	3	JD-AT79722	61.96
LOADER BOOM LIFT	AH138931	All		P-UB-1	45 mm		JD-RE20434	76.53
	AH138931	All		N-N-14		90 mm	JD-RE20430	63.85
LOADER BUCKET TILT	RE38230	All		P-UB-1	50 mm		JD-RE20595	67.60
	RE38230	All		N-N-14		100 mm	JD-AH137687	93.75
LOADER CLAM	AT142578	All		P-U-10	2	3	JD-AT142582	64.47
STEERING	AT195570			I-U-10	36 mm	65 mm	JD-T153744	130.08
STEERING (Power)	AH134479	780659-		P-UB-1	25 mm		JD-RE21875	66.70
	AH134479	780659-		N-N-10		2-1/4	JD-RE30100	8.66
	AH139130	-780658		P-UB-1	25 mm		JD-RE21875	66.70
	AH139130	-780658		N-N-10		2	JD-AH137789	8.14
MODEL 515B								
BACKHOE BOOM		All		P-V-1	2-1/4		JD-RE14208	50.41
		All		N-N-14		4-1/2	JD-RE14523	109.04
BACKHOE BUCKET		All		P-V-1	2-1/4		JD-RE14538	37.79
		All		N-N-14		3-1/2	JD-RE16076	101.90
BACKHOE CROWD		All		P-U-1	2-1/4		JD-AH139417	52.87
		All		N-N-14		4-1/2	JD-RE14523	109.04
BACKHOE STABILIZER		All		N-N-14		3	JD-RE14082	93.27
BACKHOE SWING		All		P-U-1	2		JD-RE14556	33.49
		All		N-N-10		4	JD-RE14555	101.40
LOADER BOOM LIFT		All		P-V-1	1-3/4		JD-RE16209	41.28
		All		N-N-14		3-1/2	JD-RE14517	100.77
LOADER BUCKET TILT		All		P-V-1	2		JD-RE16119	35.25
		All		N-N-14		4	JD-RE14567	108.07
STEERING		All		P-U-1	1		JD-RE14552	17.67
		All		N-N-10		2	JD-RE14551	15.23
MODEL 710D								
BACKHOE BOOM	AH142928			P-UB-1	80 mm		JD-RE25152	211.97
	AH142928			N-N-14		160 mm	JD-AH137210	167.42
BACKHOE BUCKET	AH142927			P-UB-1	63 mm		JD-RE25151	144.81
	AH142927			N-N-14		100 mm	JD-AH149844	111.98
BACKHOE CROWD	AH142926			P-UB-1	70 mm		JD-AH142089	178.92
	AH142926			N-N-14		140 mm	JD-AH137209	192.09

LA - Long Arm LGP - Low Ground Pressure LT - Long Track MFWD - Mechanical Front Wheel Drive MP - Multi-Purpose
 IDM - Inside Dozer Mount ODM - Outside Dozer Mount SLF - Super Long Front STD - Straight Dozer WT - Wide Track

FORMERLY LISTED REPAIR PARTS ARE AVAILABLE ONLINE AT WWW.HERCULESUS.COM
 OR BY CONTACTING YOUR REGIONAL HERCULES SALES TEAM.

JOHN DEERE®

Replacement Kits For

JOHN DEERE®

Backhoe Loaders

APPLICATION	CYL #	SERIAL #	Misc	CODE	ROD	BORE	KIT #	List \$
MODEL 710D								
BACKHOE STABILIZER	AH154791	831990-		P-UB-1	63 mm		JD-AH149815	79.22
	AH154791	831990-		N-N-14		115 mm	JD-AH149846	157.90
	RE36942			P-UB-1	63 mm		JD-RE28899	138.14
	RE36942	-831989		N-N-14		115 mm	JD-AH149846	157.90
BACKHOE SWING	AH141405			P-UB-1	56 mm		JD-RE31716	118.05
	AH141405			N-N-14		115 mm	JD-AH149846	157.90
	AH154781			P-UB-1	56 mm		JD-AH149814	77.82
	AH154781			N-N-14		115 mm	JD-AH149846	157.90
EXT DIPPERSTICK	AH146325			P-UB-1	45 mm		JD-RE20434	76.53
	AH146325			N-N-10		80 mm	JD-RE37003	19.99
	AH155668			I,P-UB-1	45 mm		JD-AH149813	79.07
	AH155668			N-N-10		80 mm	JD-RE37003	19.99
LOADER BOOM	AH154789			P-UB-1	56 mm		JD-AH149814	77.82
	AH154789			N-N-14		100 mm	JD-AH149844	111.98
	RE32557			P-UB-1	56 mm		JD-RE31716	118.05
	RE32557			N-N-14		100 mm	JD-AH149844	111.98
LOADER BUCKET	AH154792			P-UB-1	56 mm		JD-AH149814	77.82
	AH154792			N-N-14		115 mm	JD-AH149846	157.90
	RE37702			P-UB-1	56 mm		JD-RE31716	118.05
	RE37702			N-N-14		115 mm	JD-AH149846	157.90
MULTI-PURPOSE	AT142578			P-U-10	2	3	JD-AT142582	64.47
STEERING (Power)	AH154794			I-U-1	32 mm		JD-AH148823	54.99
	AH154794			N-N-14		70 mm	JD-RE20428	56.39
	RE38529			P-UB-1	32 mm		JD-RE21873	65.12
	RE38529			N-N-14		70 mm	JD-RE20428	56.39
MODEL 710G								
BOOM				P-UB-1	95 mm		JD-AH159192	210.49
				N-N-14		160 mm	JD-AH137210	167.42
BOOM LIFT		-943817		P-UB-1	56 mm		JD-AH149814	77.82
		-943817		N-N-14		100 mm	JD-AH212101	106.57
	AH211105	943818-		P-UB-1	56 mm		JD-AH149814	77.82
	AH211105	943818-		N-N-14		100 mm	JD-AH212101	106.57
BUCKET				P-UB-1	70 mm		JD-AH156466	71.41
				N-N-14		110 mm	JD-AH149845	141.24
BUCKET (MP)	AT190880	-925076		I-U-10	2	3	JD-AT190898	109.49
CROWD				N-N-14		140 mm	JD-AH216299	197.82
EXTENSION		-945479		I,P-UB-1	45 mm		JD-AH149813	79.07
		-945479		N-N-10		80 mm	JD-AH212092	48.69
	AH216318	945480-		I,P-UB-1	45 mm		JD-AH149813	79.07
	AH216318	945480-		N-N-10		80 mm	JD-AH212092	48.69
LOADER BUCKET				P-UB-1	56 mm		JD-AH149814	77.82
				N-N-14		110 mm	JD-AH212585	118.62
STABILIZER		932173-952813		P-UB-1	63 mm		JD-AH149815	79.22
		-932172		P-UB-1	63 mm		JD-AH149815	79.22
		932173-952813		N-N-14		115 mm	JD-AH212103	157.90
		-932172		N-N-14		115 mm	JD-AH212103	157.90
	AH218930	952814-		P-UB-1	63 mm		JD-AH149815	79.22
	AH218930	952814-		N-N-14		115 mm	JD-AH212103	157.90
SWING		-957322		P-UB-1	56 mm		JD-AH149814	77.82
		-957322		N-N-14		110 mm	JD-AH210287	118.62
	AH223267	957323-		P-UB-1	56 mm		JD-AH149814	77.82
	AH223267	957323-		N-N-14		110 mm	JD-AH212585	118.62
MODEL 710J								
BOOM	AH225720			P-UB-1	95 mm		JD-AH159192	210.49
	AH225720			N-N-14		160 mm	JD-AH137210	167.42

LA - Long Arm LGP - Low Ground Pressure LT - Long Track MFWD - Mechanical Front Wheel Drive MP - Multi-Purpose
 IDM - Inside Dozer Mount ODM - Outside Dozer Mount SLF - Super Long Front STD - Straight Dozer WT - Wide Track

Replacement Kits For

JOHN DEERE®

Backhoe Loaders								
APPLICATION	CYL #	SERIAL #	Misc	CODE	ROD	BORE	KIT #	List \$
MODEL 710J								
BOOM LIFT	AH211105			P-UB-1	56 mm		JD-AH149814	77.82
	AH211105			N-N-14		100 mm	JD-AH212101	106.57
BUCKET	AH220411			P-UB-1	70 mm		JD-AH156466	71.41
	AH220411			N-N-14		110 mm	JD-AH149845	141.24
CROWD	AH225656			P-UB-1	85 mm		JD-AH207190	136.84
	AH225656			N-N-14		140 mm	JD-AH216299	197.82
LOADER BUCKET	AH220446			P-UB-1	56 mm		JD-AH149814	77.82
	AH220446			N-N-14		110 mm	JD-AH212585	118.62
STABILIZER	AH218930			P-UB-1	63 mm		JD-AH149815	79.22
	AH218930			N-N-14		115 mm	JD-AH212103	157.90
SWING	AH223267			P-UB-1	56 mm		JD-AH149814	77.82
	AH223267			N-N-14		110 mm	JD-AH212585	118.62
MODEL 710K								
EXT DIPPERSTICK	AH216318			I,P-UB-1	45 mm		JD-AH149813	79.07
	AH216318			N-N-10		80 mm	JD-AH212092	48.69
LOADER BOOM	AHC11173			P-UB-1	56 mm		JD-AH149814	77.82
	AHC11173			N-N-14		100 mm	JD-AH212101	106.57
	AHC11426			P-UB-1	56 mm		JD-AH149814	77.82
	AHC11426			N-N-14		110 mm	JD-AH212585	118.62
LOADER BUCKET	AHC11426			P-UB-1	56 mm		JD-AH149814	77.82
	AHC11426			N-N-14		110 mm	JD-AH212585	118.62
LOADER COUPLER	AH234870			I-U-10	28 mm	45 mm	JD-AH176273	35.99
STEERING (MFWD)	AT191187			I-U-14	50 mm	75 mm	JD-AT301907	173.46
SWING	AH234290	169173-		P-UB-1	56 mm		JD-AH149814	77.82
	AH234290	169173-		N-N-14		110 mm	JD-AH212585	118.62
Compactors								
APPLICATION	CYL #	SERIAL #	Misc	CODE	ROD	BORE	KIT #	List \$
MODEL 646, 646B								
BOOM LIFT		All		P-V-8	2-3/4	6-1/4	JD-RE18744	187.77
BUCKET TILT		223645-		P-V-8	2-3/4	6-1/4	JD-RE18744	187.77
		-223644		P-V-8	2-1/4	4-1/2	JD-AR105355	111.66
CLAM (MP)		223645-		P-V-8	2	4	JD-AR105387	59.80
		-223644		P-U-9	2	4	JIC-G32299	71.36
STEERING		247907-		I-U-10	3-3/4	4	JD-AT34932	56.70
STEERING LH		-247906		I-U-1	3-3/4		JD-AT34933	52.18
STEERING RH		-247906		I-U-10	3-3/4	4	JD-AT34932	56.70
MODEL 646C								
BOOM LIFT		505144-		P-V-1	2-3/4		JD-RE16991	111.16
		505144-		N-N-14		6-1/4	JD-RE14022	177.86
BUCKET TILT		505144-		P-V-1	3		JD-RE16992	84.48
		505144-		N-N-14		6-1/4	JD-RE14022	177.86
CLAM (MP)		All		P-V-8	2	4	JD-AR105387	59.80
STEERING		-505143		P-U-10	1-3/4	3-3/4	JD-AR105320	53.35
		505144-		P-V-1	1-3/4		JD-RE16209	41.28
		505144-		N-N-10		3-3/4	JD-RE17099	20.98
Crawler Dozers/Loaders								
APPLICATION	CYL #	SERIAL #	Misc	CODE	ROD	BORE	KIT #	List \$
MODEL 450G								
DOZER ANGLE	AH137775	-822210		P-UB-1	40 mm		JD-RE20433	76.06
	AH137775	-822210		N-N-14		70 mm	JD-RE20428	56.39
	AH149949	-846913		I,P-UB-1	40 mm		JD-AH149194	65.97
	AH149949	-846913		N-N-14		70 mm	JD-RE20428	56.39
	AH161764	All		I,P-UB-1	40 mm		JD-AH149194	65.97
	AH161764	All		N-N-10		70 mm	JD-RE37004	14.03
DOZER ANGLE (WT)	AH137776	All		P-UB-1	45 mm		JD-RE20434	76.53

LA - Long Arm LGP - Low Ground Pressure LT - Long Track MFWD - Mechanical Front Wheel Drive MP - Multi-Purpose
 IDM - Inside Dozer Mount ODM - Outside Dozer Mount SLF - Super Long Front STD - Straight Dozer WT - Wide Track

FORMERLY LISTED REPAIR PARTS ARE AVAILABLE ONLINE AT WWW.HERCULESUS.COM
 OR BY CONTACTING YOUR REGIONAL HERCULES SALES TEAM.

Replacement Kits For

JOHN DEERE®

Crawler Dozers/Loaders									
APPLICATION	CYL #	SERIAL #	Misc	CODE	ROD	BORE	KIT #	List \$	
MODEL 450G									
DOZER ANGLE (WT)	AH137776	All		N-N-14		80 mm	JD-AH149842	89.42	
	AH149950	-846912		I,P-UB-1	45 mm		JD-AH149813	79.07	
	AH149950	-846912		N-N-14		80 mm	JD-AH149842	89.42	
	AH161770	846913-		I,P-UB-1	45 mm		JD-AH149813	79.07	
	AH161770	846913-		N-N-10		80 mm	JD-RE37003	19.99	
DOZER LIFT	AH150067	-822042		P-UB-1	40 mm		JD-RE20433	76.06	
	AH150067	-822042		N-N-14		80 mm	JD-AH212091	112.58	
	AH161767	822043-846999		I,P-UB-1	40 mm		JD-AH149194	65.97	
	AH161767	847000-		I,P-UB-1	40 mm		JD-AH149194	65.97	
	AH161767	822043-846999		N-N-14		80 mm	JD-AH212091	112.58	
	AH161767	847000-		N-N-10		80 mm	JD-AH212092	48.69	
	RE28350	-822042		P-UB-1	40 mm		JD-RE20433	76.06	
	RE28350	-822042		N-N-14		80 mm	JD-AH149842	89.42	
	DOZER LIFT (WT) (LGP)	AH143026	790251-822042		P-UB-1	40 mm		JD-RE20433	76.06
AH143026		790251-822042		N-N-14		80 mm	JD-AH149842	89.42	
AH150066		790251-822042		P-UB-1	40 mm		JD-RE20433	76.06	
AH150066		790251-822042		N-N-14		80 mm	JD-AH212091	112.58	
AH161762		846843-		I,P-UB-1	40 mm		JD-AH149194	65.97	
AH161762		822043-846842		I,P-UB-1	40 mm		JD-AH149194	65.97	
AH161762		846843-		N-N-10		80 mm	JD-AH212092	48.69	
AH161762		822043-846842		N-N-14		80 mm	JD-AH212091	112.58	
RIPPER	AU41772	59100-		P-V-8	1-1/4	2-1/2	JD-AR105453	47.45	
TILT	AH151379	822043-846913		I,P-UB-1	45 mm		JD-AH149813	79.07	
	AH151379	822043-846913		N-N-14		90 mm	JD-AH149843	88.71	
	AH161772	846914-		I,P-UB-1	45 mm		JD-AH149813	79.07	
	AH161772	846914-		N-N-10		90 mm	JD-AH134955	18.62	
	RE35814	-822042		P-UB-1	45 mm		JD-RE20434	76.53	
	RE35814	-822042		N-N-14		90 mm	JD-AH149843	88.71	
MODEL 450H									
BLADE ANGLE	AH216716			P-UB-14	40 mm	63 mm	JD-AH153497	171.52	
	AH216716			N-N-10		63 mm	JD-AH212088	17.67	
BLADE LIFT	AH150349	-925555		I,P-UB-1	40 mm		JD-AH149194	65.97	
	AH150349	-925555		N-N-10		80 mm	JD-RE37003	19.99	
	AH210530	925556-		I,P-UB-1	40 mm		JD-AH149194	65.97	
	AH210530	925556-		N-N-10		80 mm	JD-AH212092	48.69	
BLADE TILT	AH150351	-925555		I,P-UB-1	45 mm		JD-AH149813	79.07	
	AH150351	-925555		N-N-10		90 mm	JD-AH212097	20.94	
	AH211381	925556-		I,P-UB-1	45 mm		JD-AH149813	79.07	
	AH211381	925556-		N-N-10		90 mm	JD-AH212097	20.94	
MODEL 450J									
BLADE ANGLE		102818-XXXXXX		P-UB-14	40 mm	63 mm	JD-AH153497	171.52	
		-102817		P-UB-14	40 mm	63 mm	JD-AH153497	171.52	
		-102817		N-N-10		63 mm	JD-AH212088	17.67	
		102818-XXXXXX		N-N-10		63 mm	JD-AH212088	17.67	
		AH216716	XXXXXX-		P-UB-14	40 mm	63 mm	JD-AH153497	171.52
		AH216716	XXXXXX-		N-N-10		63 mm	JD-AH212088	17.67
		ALL			P-UB-14	40 mm	63 mm	JD-AH153497	171.52
BLADE LIFT	AH211370			I,P-UB-1	40 mm		JD-AH149194	65.97	
	AH211370			N-N-10		80 mm	JD-AH212092	48.69	
BLADE TILT	AH211381			I,P-UB-1	45 mm		JD-AH149813	79.07	
	AH211381			N-N-10		90 mm	JD-AH212097	20.94	
TRACK ADJUSTER		159987-		P-U-1	2-3/8		JD-SK100103	56.61	
		-159986	2 per machine	P-U-1	2-3/8		JD-SK100103	56.61	
MODEL 455G									
BUCKET CLAM	AH148714	All		P-UB-1	50 mm		JD-AH148164	57.00	

LA - Long Arm LGP - Low Ground Pressure LT - Long Track MFWD - Mechanical Front Wheel Drive MP - Multi-Purpose
 IDM - Inside Dozer Mount ODM - Outside Dozer Mount SLF - Super Long Front STD - Straight Dozer WT - Wide Track

Replacement Kits For

JOHN DEERE®

Crawler Dozers/Loaders								
APPLICATION	CYL #	SERIAL #	Misc	CODE	ROD	BORE	KIT #	List \$
MODEL 455G								
BUCKET CLAM	AH148714	All		N-N-14		100 mm	JD-AH149844	111.98
	RE25702	-822210		P-UB-1	50 mm		JD-RE20595	67.60
	RE25702	-822210		N-N-14		100 mm	JD-AH149844	111.98
LOADER BOOM	AH134483	-760572		P-UB-1	50 mm		JD-RE20595	67.60
	AH134483	760573-823917		P-UB-1	56 mm		JD-RE31716	118.05
	AH134483	-823917		N-N-14		100 mm	JD-AH149844	111.98
	AH150117	All		P-UB-1	56 mm		JD-AH149814	77.82
	AH150117	All		N-N-14		100 mm	JD-AH149844	111.98
LOADER BUCKET	AH148736	All		P-UB-1	50 mm		JD-AH148164	57.00
	AH148736	All		N-N-14		90 mm	JD-AH149843	88.71
	RE28353	-802210		P-UB-1	50 mm		JD-RE20595	67.60
	RE28353	-802210		N-N-14		90 mm	JD-AH149843	88.71
MULTI-PURPOSE	AH148736	All		P-UB-1	50 mm		JD-AH148164	57.00
	AH148736	All		N-N-14		90 mm	JD-AH149843	88.71
	RE28353	-802210		P-UB-1	50 mm		JD-RE20595	67.60
	RE28353	-802210		N-N-14		90 mm	JD-AH149843	88.71
RIPPER	AU41772	59100-		P-V-8	1-1/4	2-1/2	JD-AR105453	47.45
MODEL 550G								
DOZER ANGLE	AH137776	All		P-UB-1	45 mm		JD-RE20434	76.53
	AH137776	All		N-N-14		80 mm	JD-AH149842	89.42
	AH149950	-846912		I,P-UB-1	45 mm		JD-AH149813	79.07
	AH149950	-846912		N-N-14		80 mm	JD-AH149842	89.42
	AH161770	846913-		I,P-UB-1	45 mm		JD-AH149813	79.07
	AH161770	846913-		N-N-10		80 mm	JD-RE37003	19.99
DOZER LIFT	AH150066	790251-822042		P-UB-1	40 mm		JD-RE20433	76.06
	AH150066	790251-822042		N-N-14		80 mm	JD-AH212091	112.58
	AH150067	-822042		P-UB-1	40 mm		JD-RE20433	76.06
	AH150067	-822042		N-N-14		80 mm	JD-AH212091	112.58
	AH161762	846843-		I,P-UB-1	40 mm		JD-AH149194	65.97
	AH161762	822043-846842		I,P-UB-1	40 mm		JD-AH149194	65.97
	AH161762	846843-		N-N-10		80 mm	JD-AH212092	48.69
	AH161762	822043-846842		N-N-14		80 mm	JD-AH212091	112.58
	AH161767	847000-		I,P-UB-1	40 mm		JD-AH149194	65.97
	AH161767	822043-846999		I,P-UB-1	40 mm		JD-AH149194	65.97
	AH161767	822043-846999		N-N-14		80 mm	JD-AH212091	112.58
	AH161767	847000-		N-N-10		80 mm	JD-AH212092	48.69
TILT	AH151379	All		I,P-UB-1	45 mm		JD-AH149813	79.07
	AH151379	All		N-N-14		90 mm	JD-AH149843	88.71
	AH161772	846914-		I,P-UB-1	45 mm		JD-AH149813	79.07
	AH161772	846914-		N-N-10		90 mm	JD-AH134955	18.62
	RE35814	-822042		P-UB-1	45 mm		JD-RE20434	76.53
RE35814	-822042		N-N-14		90 mm	JD-AH149843	88.71	
MODEL 550H								
BLADE ANGLE	AH165689	-925555		I,P-UB-1	45 mm		JD-AH149813	79.07
	AH165689	-925555		N-N-10		70 mm	JD-AH212090	16.52
	AH211365	925556-		I,P-UB-1	45 mm		JD-AH149813	79.07
	AH211851	925556-		N-N-10		70 mm	JD-AH212090	16.52
BLADE LIFT	AH163865	-925555		I,P-UB-1	40 mm		JD-AH149194	65.97
	AH163865	-925555		N-N-10		80 mm	JD-RE37003	19.99
	AH211370	925556-		I,P-UB-1	40 mm		JD-AH149194	65.97
BLADE TILT	AH211370	925556-		N-N-10		80 mm	JD-AH212092	48.69
	AH158633	-925555		I,P-UB-1	45 mm		JD-AH149813	79.07
	AH158633	-925555		N-N-10		90 mm	JD-AH212097	20.94
	AH211381	925556-		I,P-UB-1	45 mm		JD-AH149813	79.07
AH211381	925556-		N-N-10		90 mm	JD-AH212097	20.94	

LA - Long Arm LGP - Low Ground Pressure LT - Long Track MFWD - Mechanical Front Wheel Drive MP - Multi-Purpose
 IDM - Inside Dozer Mount ODM - Outside Dozer Mount SLF - Super Long Front STD - Straight Dozer WT - Wide Track

FORMERLY LISTED REPAIR PARTS ARE AVAILABLE ONLINE AT WWW.HERCULESUS.COM
 OR BY CONTACTING YOUR REGIONAL HERCULES SALES TEAM.

JOHN DEERE®

Replacement Kits For

JOHN DEERE®

Crawler Dozers/Loaders								
APPLICATION	CYL #	SERIAL #	Misc	CODE	ROD	BORE	KIT #	List \$
MODEL 550J								
BLADE ANGLE	AH211851			I,P-UB-1	45 mm		JD-AH149813	79.07
	AH211851			N-N-10		70 mm	JD-AH212090	16.52
BLADE LIFT	AH211370			I,P-UB-1	40 mm		JD-AH149194	65.97
	AH211370			N-N-10		80 mm	JD-AH212092	48.69
BLADE TILT	AH211381			I,P-UB-1	45 mm		JD-AH149813	79.07
	AH211381			N-N-10		90 mm	JD-AH212097	20.94
TRACK ADJUSTER		-159986	2 per machine	P-U-1	2-3/8		JD-SK100103	56.61
		159987-		P-U-1	2-3/8		JD-SK100103	56.61
MODEL 550K								
DOZER ANGLE	AHC10698			I,P-UB-1	45 mm		JD-AH149813	79.07
	AHC10698			N-N-10		70 mm	JD-AH212090	16.52
DOZER LIFT	AHC10695			I,P-UB-1	40 mm		JD-AH149194	65.97
	AHC10695			N-N-10		80 mm	JD-AH212092	48.69
DOZER TILT	AHC10699			P-UB-1	50 mm		JD-AH210484	54.78
	AHC10699			N-N-10		100 mm	JD-AH212102	66.68
RIPPER	AH212646			P-UB-1	63 mm		JD-AH149815	79.22
	AH212646			N-N-10		125 mm	JD-AH167596	41.07
TRACK ADJUSTER				P-U-1	2-3/8		JD-SK100103	56.61
TRACK ADJUSTER (LGP)			2 per machine	P-U-1	2-3/8		JD-SK100103	56.61
MODEL 555G								
BUCKET CLAM	AH148714	All		P-UB-1	50 mm		JD-AH148164	57.00
	AH148714	All		N-N-14		100 mm	JD-AH149844	111.98
	RE25702	-822210		P-UB-1	50 mm		JD-RE20595	67.60
	RE25702	-822210		N-N-14		100 mm	JD-AH149844	111.98
LOADER BOOM	AH150111	All		P-UB-1	63 mm		JD-AH149815	79.22
	AH150111	All		N-N-14		115 mm	JD-AH149846	157.90
	RE26632	-823917		P-UB-1	63 mm		JD-RE28899	138.14
	RE26632	-823917		N-N-14		115 mm	JD-AH149846	157.90
LOADER BUCKET	AH148715	All		P-UB-1	50 mm		JD-AH148164	57.00
	AH148715	All		N-N-14		100 mm	JD-AH149844	111.98
	RE26633	-818179		P-UB-1	50 mm		JD-AH148164	57.00
	RE26633	-818179		N-N-14		100 mm	JD-AH149844	111.98
MODEL 650G								
DOZER ANGLE				N-N-14		80 mm	JD-RE31138	70.69
	AH137776	-822211		P-UB-1	45 mm		JD-RE20434	76.53
	AH137776	-822211		N-N-14		80 mm	JD-AH149842	89.42
	AH149950	-846912		I,P-UB-1	45 mm		JD-AH149813	79.07
	AH149950	-846912		N-N-14		80 mm	JD-AH149842	89.42
	AH161770	846913-		I,P-UB-1	45 mm		JD-AH149813	79.07
	AH161770	846913-		N-N-10		80 mm	JD-RE37003	19.99
DOZER LIFT				P-UB-1	40 mm		JD-RE20433	76.06
				N-N-14		80 mm	JD-RE31138	70.69
	AH143026	790251-822042		P-UB-1	40 mm		JD-RE20433	76.06
	AH143026	790251-822042		N-N-14		80 mm	JD-AH149842	89.42
	AH150066	790251-822042		P-UB-1	40 mm		JD-RE20433	76.06
	AH150066	790251-822042		N-N-14		80 mm	JD-AH212091	112.58
	AH150067	-822042		P-UB-1	40 mm		JD-RE20433	76.06
	AH150067	-822042		N-N-14		80 mm	JD-AH212091	112.58
	AH161762	822043-846842		I,P-UB-1	40 mm		JD-AH149194	65.97
	AH161762	846843-		I,P-UB-1	40 mm		JD-AH149194	65.97
	AH161762	822043-846842		N-N-14		80 mm	JD-AH212091	112.58
	AH161762	846843-		N-N-10		80 mm	JD-AH212092	48.69
	AH161767	847000-		I,P-UB-1	40 mm		JD-AH149194	65.97
	AH161767	822043-846999		I,P-UB-1	40 mm		JD-AH149194	65.97
	AH161767	847000-		N-N-10		80 mm	JD-AH212092	48.69

LA - Long Arm LGP - Low Ground Pressure LT - Long Track MFWD - Mechanical Front Wheel Drive MP - Multi-Purpose
 IDM - Inside Dozer Mount ODM - Outside Dozer Mount SLF - Super Long Front STD - Straight Dozer WT - Wide Track

Replacement Kits For

JOHN DEERE®

Crawler Dozers/Loaders								
APPLICATION	CYL #	SERIAL #	Misc	CODE	ROD	BORE	KIT #	List \$
MODEL 650G								
DOZER LIFT	AH161767	822043-846999		N-N-14		80 mm	JD-AH212091	112.58
	RE28350	-790250		P-UB-1	40 mm		JD-RE20433	76.06
	RE28350	-790250		N-N-14		80 mm	JD-AH149842	89.42
LIFT	RE28350	-790250		P-UB-1	40 mm		JD-RE20433	76.06
	RE28350	-790250		N-N-14		80 mm	JD-AH212091	112.58
TILT				N-N-14		100 mm	JD-RE31139	124.74
	AH149951	All		P-UB-1	50 mm		JD-RE20595	67.60
	AH149951	-822042		P-UB-1	50 mm		JD-RE20595	67.60
	AH149951	All		N-N-14		100 mm	JD-AH137687	93.75
	AH149951	-822042		N-N-14		100 mm	JD-AH212101	106.57
	AH161766	All		P-UB-1	50 mm		JD-AH148164	57.00
	AH161766	All		N-N-10		100 mm	JD-AH161781	31.00
	RE35808	-822042		P-UB-1	50 mm		JD-RE20595	67.60
	RE35808	-822042		N-N-14		100 mm	JD-AH149844	111.98
MODEL 650H								
BLADE ANGLE	AH165689	-925555		I,P-UB-1	45 mm		JD-AH149813	79.07
	AH165689	-925555		N-N-10		70 mm	JD-AH212090	16.52
	AH211365	925556-		I,P-UB-1	45 mm		JD-AH149813	79.07
	AH211851	925556-		N-N-10		70 mm	JD-AH212090	16.52
BLADE LIFT	AH163865	-925555		I,P-UB-1	40 mm		JD-AH149194	65.97
	AH163865	-925555		N-N-10		80 mm	JD-RE37003	19.99
	AH211370	925556-		I,P-UB-1	40 mm		JD-AH149194	65.97
BLADE TILT	AH211370	925556-		N-N-10		80 mm	JD-AH212092	48.69
	AH158633	-925555		P-UB-1	50 mm		JD-AH210484	54.78
	AH158633	-925555		N-N-10		100 mm	JD-AH212102	66.68
	AH212097	925556-		P-UB-1	50 mm		JD-AH210484	54.78
AH212097	925556-		N-N-10		100 mm	JD-AH212102	66.68	
MODEL 650J								
BLADE ANGLE	AH211851			I,P-UB-1	45 mm		JD-AH149813	79.07
	AH211851			N-N-10		70 mm	JD-AH212090	16.52
BLADE LIFT	AH211370			I,P-UB-1	40 mm		JD-AH149194	65.97
	AH211370			N-N-10		80 mm	JD-AH212092	48.69
BLADE TILT	AH210979			P-UB-1	50 mm		JD-AH210484	54.78
	AH210979			N-N-10		100 mm	JD-AH212102	66.68
TRACK ADJUSTER		159987-		P-U-1	2-3/8		JD-SK100105	20.10
		-159986	2 per machine	P-U-1	2-3/8		JD-SK100103	56.61
MODEL 650K								
DOZER ANGLE	AHC10698			I,P-UB-1	45 mm		JD-AH149813	79.07
	AHC10698			N-N-10		70 mm	JD-AH212090	16.52
DOZER LIFT	AHC10695			I,P-UB-1	40 mm		JD-AH149194	65.97
	AHC10695			N-N-10		80 mm	JD-AH212092	48.69
DOZER TILT	AHC10699			P-UB-1	50 mm		JD-AH210484	54.78
	AHC10699			N-N-10		100 mm	JD-AH212102	66.68
RIPPER	AH212646			P-UB-1	63 mm		JD-AH149815	79.22
	AH212646			N-N-10		125 mm	JD-AH167596	41.07
TRACK ADJUSTER			2 per machine	P-U-1	2-3/8		JD-SK100103	56.61
MODEL 655B								
LOADER BOOM LIFT		All		P-U-1	3-3/4		JD-RE31528	97.19
		All		N-N-14		5-1/2	JD-RE15907	164.17
LOADER BUCKET TILT		All		P-V-1	2-1/4		JD-RE14208	50.41
		All		N-N-14		4-1/2	JD-RE14094	109.04
MULTI-PURPOSE		All		P-V-1	2-1/2		JD-RE17345	61.79
		All		N-N-14		5-1/2	JD-RE14102	164.17
TRACK ADJUSTER		All		I-U-4	3-3/4	3	JD-905001	74.95

LA - Long Arm LGP - Low Ground Pressure LT - Long Track MFWD - Mechanical Front Wheel Drive MP - Multi-Purpose
 IDM - Inside Dozer Mount ODM - Outside Dozer Mount SLF - Super Long Front STD - Straight Dozer WT - Wide Track

FORMERLY LISTED REPAIR PARTS ARE AVAILABLE ONLINE AT WWW.HERCULESUS.COM
 OR BY CONTACTING YOUR REGIONAL HERCULES SALES TEAM.

Replacement Kits For

JOHN DEERE®

JOHN DEERE®

Crawler Dozers/Loaders								
APPLICATION	CYL #	SERIAL #	Misc	CODE	ROD	BORE	KIT #	List \$
MODEL 700H								
DOZER ANGLE		-925555		P-UB-1	56 mm		JD-AH149814	77.82
		-925555		N-N-10		90 mm	JD-AH212097	20.94
	AH211335	925556-		P-UB-1	56 mm		JD-AH149814	77.82
	AH211335	925556-		N-N-10		90 mm	JD-AH212097	20.94
DOZER LIFT	AH160177	-942019		P-UB-1	50 mm		JD-AH210484	54.78
	AH160177	-942019		N-N-10		100 mm	JD-AH212102	66.68
	AH215878	942020-		P-UB-1	50 mm		JD-AH210484	54.78
DOZER TILT		-942019		P-UB-1	50 mm		JD-AH210484	54.78
		-942019		N-N-10		100 mm	JD-AH212102	66.68
	AH216998	942020-		P-UB-1	50 mm		JD-AH210484	54.78
MODEL 700J								
DOZER ANGLE	AH211335	139436-		P-UB-1	56 mm		JD-AH149814	77.82
	AH211335	-139435		P-UB-1	56 mm		JD-AH149814	77.82
	AH211335	-139435		N-N-10		90 mm	JD-AH212097	20.94
	AH211335	139436-		N-N-10		90 mm	JD-AH212097	20.94
DOZER LIFT	AH215878	139436-		P-UB-1	50 mm		JD-AH210484	54.78
	AH215878	-139435		P-UB-1	50 mm		JD-AH210484	54.78
DOZER TILT	AH216998	139436-		P-UB-1	50 mm		JD-AH210484	54.78
	AH216998	-139435		P-UB-1	50 mm		JD-AH210484	54.78
TRACK ADJUSTER		139436-		P-U-1	75 mm		JD-SK100106	27.14
MODEL 700K								
DOZER ANGLE	AHC12643			P-UB-1	56 mm		JD-AH149814	77.82
	AHC12643			N-N-10		90 mm	JD-AH212097	20.94
DOZER LIFT	AHC10693			P-UB-1	50 mm		JD-AH210484	54.78
	AHC10693			N-N-10		100 mm	JD-AH212102	66.68
DOZER TILT	AHC10694			P-UB-1	50 mm		JD-AH210484	54.78
	AHC10694			N-N-10		100 mm	JD-AH212102	66.68
RIPPER	AH215878			P-UB-1	50 mm		JD-AH210484	54.78
	AH215878			N-N-10		100 mm	JD-AH212102	66.68
TRACK ADJUSTER (LGP/XLT)				P-U-1	75 mm		JD-SK100106	27.14
MODEL 750C								
LIFT	AH141866	-823539		P-UB-1	56 mm		JD-RE31716	118.05
	AH141866	-823539		N-N-14		100 mm	JD-AH212101	106.57
TILT	AH160105	871488-		P-UB-1	80 mm		JD-AH156874	153.30
	AH160105	-871487		P-UB-1	80 mm		JD-RE25152	211.97
	AH160105	-871487		N-N-14		160 mm	JD-AH137210	167.42
	AH160105	871488-		N-N-14		160 mm	JD-AH137210	167.42
TILT ANGLE	RE17350			P-V-1	2-1/2		JD-RE17345	61.79
	RE17350			N-N-14		5-1/2	JD-RE17351	164.17
MODEL 750C-II								
ANGLE	RE17350			P-V-1	2-1/2		JD-RE17345	61.79
	RE17350			N-N-14		5-1/2	JD-RE17351	164.17
LIFT	AH150120	-943853		P-UB-1	56 mm		JD-AH149814	77.82
	AH150120	-943853		N-N-14		100 mm	JD-AH212101	106.57
	AH216805	943854-		P-UB-1	56 mm		JD-AH149814	77.82
	AH216805	943854-		N-N-14		100 mm	JD-AH212101	106.57
TILT	AH160105			P-UB-1	80 mm		JD-AH156874	153.30
	AH160105			N-N-14		160 mm	JD-AH137210	167.42
	AH175471	904887-		P-UB-1	63 mm		JD-AH149815	79.22
	AH175471	904887-		N-N-14		140 mm	JD-AH216299	197.82
MODEL 750J								
DOZER ANGLE	AH217118	-141343, 141344-	(IDM)	P-UB-1	70 mm		JD-AH156466	71.41
	AH217118	-141343, 141344-	(IDM)	N-N-14		110 mm	JD-AH212585	118.62
DOZER LIFT	AH208632	-141343, 141344-	(IDM)	P-UB-1	56 mm		JD-AH149814	77.82

LA - Long Arm LGP - Low Ground Pressure LT - Long Track MFWD - Mechanical Front Wheel Drive MP - Multi-Purpose
 IDM - Inside Dozer Mount ODM - Outside Dozer Mount SLF - Super Long Front STD - Straight Dozer WT - Wide Track

Replacement Kits For

JOHN DEERE®

Crawler Dozers/Loaders								
APPLICATION	CYL #	SERIAL #	Misc	CODE	ROD	BORE	KIT #	List \$
MODEL 750J								
DOZER LIFT	AH208632	-141343, 141344-	(IDM)	N-N-10		100 mm	JD-AH212102	66.68
	AH221187	-141343, 141344-	(ODM)	P-UB-1	56 mm		JD-AH149814	77.82
	AH221187	-141343, 141344-	(ODM)	N-N-14		90 mm	JD-AH212096	88.71
DOZER TILT	AH208633	-141343, 141344-	(IDM)	P-UB-1	63 mm		JD-AH149815	79.22
	AH208633	-141343, 141344-	(IDM)	N-N-14		125 mm	JD-AH149848	222.45
	AH208635	-141343, 141344-	(ODM)	P-UB-1	63 mm		JD-AH149815	79.22
	AH208635	-141343, 141344-	(ODM)	N-N-14		125 mm	JD-AH149848	222.45
TRACK ADJUSTER		141344-		P-U-1	95 mm		JD-AT307336	66.69
		-141343		P-U-1	110 mm		JD-AT314787	69.97
		-141343		P-U-1	95 mm		JD-AT307336	66.69
MODEL 750K								
CAB TILT	AH216188			I-U-1	32 mm		JD-AH149817	31.79
	AH216188			N-N-10		63 mm	JD-AH212088	17.67
DOZER ANGLE (LGP) (LT)	AHC10544			P-UB-1	70 mm		JD-AH156466	71.41
	AHC10544			N-N-14		110 mm	JD-AH212585	118.62
DOZER LIFT (LGP) (LT)	AHC12220			P-UB-1	56 mm		JD-AH149814	77.82
	AHC12220			N-N-10		100 mm	JD-AH212102	66.68
DOZER TILT	AHC10536			P-UB-1	56 mm		JD-AH149814	77.82
	AHC10536			N-N-14		90 mm	JD-AH212096	88.71
DOZER TILT (LGP) (LT)	AHC10543			P-UB-1	63 mm		JD-AH149815	79.22
	AHC10543			N-N-14		125 mm	JD-AH149848	222.45
RIPPER	AH215949			P-UB-1	50 mm		JD-AH210484	54.78
	AH215949			N-N-10		90 mm	JD-AH212097	20.94
TRACK ADJUSTER				P-U-1	95 mm		JD-AT307336	66.69
MODEL 850C								
LIFT	AH216805			P-UB-1	56 mm		JD-AH149814	77.82
	AH216805			N-N-14		100 mm	JD-AH212101	106.57
TILT		-848638		P-UB-1	80 mm		JD-RE25152	211.97
		-848638		N-N-14		180 mm	JD-AH137211	170.34
	AH159739	848639-		P-UB-1	80 mm		JD-AH156874	153.30
	AH159739	848639-		N-N-14		180 mm	JD-AH137211	170.34
TILT ANGLE	RE17350			P-V-1	2-1/2		JD-RE17345	61.79
	RE17350			N-N-14		5-1/2	JD-RE17351	164.17
MODEL 850C-II								
LIFT	AH150120	-943853		P-UB-1	56 mm		JD-AH149814	77.82
	AH150120	-943853		N-N-14		100 mm	JD-AH212101	106.57
	AH216805	943854-		P-UB-1	56 mm		JD-AH149814	77.82
	AH216805	943854-		N-N-14		100 mm	JD-AH212101	106.57
LIFT (LGP)	AH150121	-943853		P-UB-1	56 mm		JD-AH149814	77.82
	AH150121	-943853		N-N-14		100 mm	JD-AH212101	106.57
TILT	AH159739			P-UB-1	80 mm		JD-AH156874	153.30
	AH159739			N-N-14		180 mm	JD-AH137211	170.34
	AH175471	904887-		P-UB-1	63 mm		JD-AH149815	79.22
	AH175471	904887-		N-N-14		140 mm	JD-AH216299	197.82
TILT ANGLE	RE17350			P-V-1	2-1/2		JD-RE17345	61.79
	RE17350			N-N-14		5-1/2	JD-RE17351	164.17
MODEL 850J								
DOZER ANGLE	AH208628		(IDM)	P-UB-1	70 mm		JD-AH156466	71.41
	AH208628		(IDM)	N-N-14		115 mm	JD-AH212103	157.90
DOZER LIFT	AH208630		(IDM)	P-UB-1	63 mm		JD-AH149815	79.22
	AH208630		(IDM)	N-N-14		115 mm	JD-AH212103	157.90
	AH221183		(ODM)	P-UB-1	56 mm		JD-AH149814	77.82
	AH221183		(ODM)	N-N-14		90 mm	JD-AH212096	88.71
DOZER TILT	AH208631		(ODM)	P-UB-1	70 mm		JD-AH156466	71.41
	AH208631		(ODM)	N-N-10		6	JD-AH167533	80.39

LA - Long Arm LGP - Low Ground Pressure LT - Long Track MFWD - Mechanical Front Wheel Drive MP - Multi-Purpose
 IDM - Inside Dozer Mount ODM - Outside Dozer Mount SLF - Super Long Front STD - Straight Dozer WT - Wide Track

FORMERLY LISTED REPAIR PARTS ARE AVAILABLE ONLINE AT WWW.HERCULESUS.COM
 OR BY CONTACTING YOUR REGIONAL HERCULES SALES TEAM.

Replacement Kits For

JOHN DEERE®

Crawler Dozers/Loaders								
APPLICATION	CYL #	SERIAL #	Misc	CODE	ROD	BORE	KIT #	List \$
MODEL 850J								
DOZER TILT	AH210140		(IDM)	P-UB-1	63 mm		JD-AH149815	79.22
	AH210140		(IDM)	N-N-14		125 mm	JD-AH149848	222.45
TRACK ADJUSTER		-130885		P-U-1	110 mm		JD-AT314787	69.97
		130886-		P-U-1	110 mm		JD-AT314787	69.97
		-130885		P-U-1	95 mm		JD-AT307336	66.69
MODEL 850JR								
TRACK ADJUSTER				P-U-1	110 mm		JD-AT314787	69.97
MODEL 850K								
CAB TILT	AH216188			I-U-1	32 mm		JD-AH149817	31.79
	AH216188			N-N-10		63 mm	JD-AH212088	17.67
DOZER ANGLE (LGP) (WT)	AHC10408			P-UB-1	70 mm		JD-AH156466	71.41
	AHC10408			N-N-14		115 mm	JD-AH212103	157.90
DOZER LIFT (LGP)	AHC10169			P-UB-1	56 mm		JD-AH149814	77.82
	AHC10169			N-N-14		90 mm	JD-AH212096	88.71
DOZER LIFT (LGP) (WT)	AHC10406			P-UB-1	63 mm		JD-AH149815	79.22
	AHC10406			N-N-14		115 mm	JD-AH212103	157.90
DOZER LIFT (STD) (WT)	AHC10168			P-UB-1	56 mm		JD-AH149814	77.82
	AHC10168			N-N-14		90 mm	JD-AH212096	88.71
DOZER TILT	AH208631			P-UB-1	70 mm		JD-AH156466	71.41
	AH208631			N-N-10		6	JD-AH167533	80.39
DOZER TILT (LGP) (WT)	AHC10407			P-UB-1	63 mm		JD-AH149815	79.22
	AHC10407			N-N-14		125 mm	JD-AH149848	222.45
RIPPER	AH215949			P-UB-1	50 mm		JD-AH210484	54.78
	AH215949			N-N-10		90 mm	JD-AH212097	20.94
TRACK ADJUSTER				P-U-1	110 mm		JD-AT314787	69.97
Excavators								
APPLICATION	CYL #	SERIAL #	Misc	CODE	ROD	BORE	KIT #	List \$
MODEL 80								
ARM	AP36041	All		P-UB-10	60 mm	95 mm	JD-AT200549	199.63
BOOM	AP36040	All		P-UB-10	65 mm	115 mm	JD-AT200548	264.72
BUCKET	AT250786	All		P-UB-10	55 mm	85 mm	JD-AT200550	210.49
MODEL 85D								
ARM	9197150G			P-UB-10	60 mm	95 mm	JD-4464985	140.04
	9197150G			P-UB-10	60 mm	95 mm	JD-4464985-EX	195.07
	9197150G			Bushing	60 mm		JD-0826907	22.48
	9197150G			Wear Ring		95 mm	JD-H158170	8.01
BLADE	9246135			P-U-10	70 mm	120 mm	JD-4632462	302.51
	9246135			Bushing	70 mm		JD-4633389	27.17
BOOM	9197149G			P-UB-10	65 mm	115 mm	JD-4663491	292.32
	9197149G			P-UB-10	65 mm	115 mm	JD-4663491-EX	321.25
	9197149G			Bushing	65 mm		JD-AT264389	26.16
	9197149G			Wear Ring		115 mm	JD-H163432	12.50
BUCKET	9197151G			P-UB-10	55 mm	85 mm	JD-4464986	134.00
	9197151G			Bushing	55 mm		JD-TH0827007	16.53
SWING	9280680			P-U-10	60 mm	110 mm	JD-4696459	98.81
	9280680			Bushing	60 mm		JD-0826907	22.48
MODEL 85G								
ARM	FYD00002217G			P-UB-10	60 mm	95 mm	JD-FYD00006230	106.66
	FYD00002217G			Bushing	60 mm		JD-1226705	22.48
BLADE	9246135			P-U-10	70 mm	120 mm	JD-4632462	302.51
	9246135			Bushing	70 mm		JD-4633389	27.17
BOOM	FYD00002220G			P-UB-10	65 mm	115 mm	JD-FYD00006231	304.91
	FYD00002220G			Bushing	65 mm		JD-FXB00001021	26.16

LA - Long Arm LGP - Low Ground Pressure LT - Long Track MFWD - Mechanical Front Wheel Drive MP - Multi-Purpose
 IDM - Inside Dozer Mount ODM - Outside Dozer Mount SLF - Super Long Front STD - Straight Dozer WT - Wide Track

JOHN DEERE®

Replacement Kits For

JOHN DEERE®

Excavators								
APPLICATION	CYL #	SERIAL #	Misc	CODE	ROD	BORE	KIT #	List \$
MODEL 85G								
BUCKET	4718798G			P-UB-10	55 mm	85 mm	JD-FYD00000078	86.54
	4718798G			Bushing	55 mm		JD-FXB00001022	22.11
SWING	9280680			P-U-10	60 mm	110 mm	JD-4696459	98.81
	9280680			Bushing	60 mm		JD-0826907	22.48
MODEL 110								
BUCKET	AH148041	All		P-UB-10	65 mm	95 mm	JD-AH150595	278.04
MODEL 120								
ARM	AH149792	All		P-UB-10	80 mm	110 mm	JD-AH149796	496.53
BOOM (LH)	AH153169	All		P-UB-10	70 mm	105 mm	JD-AH151107	410.06
BOOM (RH)	AH153168	All		P-UB-10	70 mm	105 mm	JD-AH151107	410.06
BUCKET	AH148041	All		P-UB-10	65 mm	95 mm	JD-AH150595	278.04
MODEL 120C								
ARM	9183013J			P-UB-10	80 mm	115 mm	JD-4448396	267.14
BLADE (LH)				P-UB-10	70 mm	100 mm	JD-4388027	442.43
	9187647	Field Replacement		P-UB-10	70 mm	100 mm	JD-4388027	442.43
BLADE (RH)				P-UB-10	70 mm	100 mm	JD-4388027	442.43
	9187648	Field Replacement		P-UB-10	70 mm	100 mm	JD-4388027	442.43
BOOM (LH)	4428437Y			P-UB-10	70 mm	105 mm	JD-4662895	221.41
BOOM (RH)	4428436Y			P-UB-10	70 mm	105 mm	JD-4662895	221.41
BUCKET	9183014J			P-UB-10	70 mm	100 mm	JD-4448397	212.98
MODEL 120D								
ARM	9183013G	-037041		P-UB-10	80 mm	115 mm	JD-FYA00001393	105.69
	9183013G	-037041		Bushing	80 mm		JD-AT264314	37.68
	9288686G	037042-		P-UB-10	80 mm	115 mm	JD-4S00847	106.05
	9288686G	037042-		Bushing	80 mm		JD-AT264314	37.68
BLADE (LH)	9187647			P-UB-10	70 mm	100 mm	JD-4388027	442.43
	9187647			Bushing	70 mm		JD-0643402	12.34
BLADE (RH)	0779201			Bushing	70 mm		JD-0643402	12.34
	9187648			P-UB-10	70 mm	100 mm	JD-4388027	442.43
	9187648			Bushing	70 mm		JD-0643402	12.34
BOOM (LH)	9185636G	-037018		P-UB-10	70 mm	105 mm	JD-4662895	221.41
	9185636G	-037018		Bushing	70 mm		JD-AT133645	29.53
	9257687G	037019-		P-UB-10	70 mm	105 mm	JD-4662895	221.41
	9257687G	037019-		Bushing	70 mm		JD-0310304	29.53
BOOM (RH)	9185635G	-037018		P-UB-10	70 mm	105 mm	JD-4662895	221.41
	9185635G	-037018		Bushing	70 mm		JD-AT133645	29.53
	9257686G	037019-		P-UB-10	70 mm	105 mm	JD-4662895	221.41
	9257686G	037019-		Bushing	70 mm		JD-0310304	29.53
BUCKET	9183014G	-037052		P-UB-10	70 mm	100 mm	JD-4S00849	92.62
	9183014G	-037052		Bushing	70 mm		JD-AT133645	29.53
	9257711G	037053-		P-UB-10	70 mm	100 mm	JD-4S00849	92.62
	9257711G	037053-		Bushing	70 mm		JD-0310304	29.53
COUPLER	AT343211			I-U-5	1-1/4	2	JD-AT343210	22.78
THUMB	AT339877			I-U-10	2-1/2	4	JD-AT339879	46.36
	AT383236			I-UB-14	2-1/2	4	JD-AT383237	585.66
TRACK ADJUSTER							JD-SK100098	22.33
MODEL 130G								
ARM	9288686G			P-UB-10	80 mm	115 mm	JD-4S00847	106.05
	9288686G	-040113		Bushing	80 mm		JD-AT264314	37.68
	9288686G	-040098		Bushing	80 mm		JD-AT264314	37.68
	9323697G			P-UB-10	80 mm	115 mm	JD-FYA00012900	236.34
	9323697G	040099-		Bushing	80 mm		JD-FXB00002113	37.68
	9323697G			Bushing	80 mm		JD-FXB00002113	37.68
BLADE (LH)	9187647			P-UB-10	70 mm	100 mm	JD-4388027	442.43

LA - Long Arm LGP - Low Ground Pressure LT - Long Track MFWD - Mechanical Front Wheel Drive MP - Multi-Purpose
 IDM - Inside Dozer Mount ODM - Outside Dozer Mount SLF - Super Long Front STD - Straight Dozer WT - Wide Track

FORMERLY LISTED REPAIR PARTS ARE AVAILABLE ONLINE AT WWW.HERCULESUS.COM
 OR BY CONTACTING YOUR REGIONAL HERCULES SALES TEAM.

JOHN DEERE®

Replacement Kits For

JOHN DEERE®

Excavators								
APPLICATION	CYL #	SERIAL #	Misc	CODE	ROD	BORE	KIT #	List \$
MODEL 130G								
BLADE (LH)	9187647			Bushing	70 mm		JD-0643402	12.34
BLADE (RH)	9187648			P-UB-10	70 mm	100 mm	JD-4388027	442.43
	9187648			Bushing	70 mm		JD-0643402	12.34
BOOM (LH)	9257687G	-040105		P-UB-10	70 mm	105 mm	JD-4662895	221.41
	9257687G	-040105		Bushing	70 mm		JD-0310304	29.53
	9323696G	040106-		P-UB-10	70 mm	105 mm	JD-FYA00012899	258.31
	9323696G	040106-		Bushing	70 mm		JD-FXB00002262	12.34
	9323696G			Bushing	70 mm		JD-FXB00002262	12.34
BOOM (RH)	9257686G	-040105		P-UB-10	70 mm	105 mm	JD-4662895	221.41
	9257686G	-040105		Bushing	70 mm		JD-0310304	29.53
	9323695G	040106-		P-UB-10	70 mm	105 mm	JD-FYA00012899	258.31
	9323695G	040106-		Bushing	70 mm		JD-FXB00002262	12.34
	9323695G			Bushing	70 mm		JD-FXB00002262	12.34
BUCKET	9257711G	-040079		P-UB-10	70 mm	100 mm	JD-4S00849	92.62
	9257711G	-040079		Bushing	70 mm		JD-0310304	29.53
	9323698G	040080-		P-UB-10	70 mm	100 mm	JD-FYA00012901	300.64
	9323698G			Bushing	70 mm		JD-FXB00002262	12.34
	9323698G	040080-		Bushing	70 mm		JD-FXB00002262	12.34
COUPLER	AT343211			I-U-5	1-1/4	2	JD-AT343210	22.78
THUMB	AT383236			I-UB-14	2-1/2	4	JD-AT383237	585.66
TRACK ADJUSTER							JD-SK100099	12.75
MODEL 135C								
ARM	9197519			P-UB-10	80 mm	115 mm	JD-4448396	267.14
BLADE	4472591			P-U-10	50 mm	95 mm	JD-0745308	153.74
BLADE (LH)	9187647			P-UB-10	70 mm	100 mm	JD-4388027	442.43
BLADE (RH)	9187648			P-UB-10	70 mm	100 mm	JD-4388027	442.43
BOOM (LH)	9197517			P-UB-10	70 mm	105 mm	JD-4662895	221.41
BOOM (RH)	9197518			P-UB-10	70 mm	105 mm	JD-4662895	221.41
BUCKET	9183014J			P-UB-10	70 mm	100 mm	JD-4448397	212.98
MODEL 135D								
ARM	9288686G			P-UB-10	80 mm	115 mm	JD-4S00847	106.05
	9288686G			P-UB-10	80 mm	115 mm	JD-4S00847-EX	246.62
	9288686G			Bushing	80 mm		JD-AT264314	37.68
	9288686G			Wear Ring		115 mm	JD-H227907	8.71
	9288686G			Wear Ring		115 mm	JD-TH109357	45.42
BLADE (LH)	9187647			P-UB-10	70 mm	100 mm	JD-4388027	442.43
	9187647			Bushing	70 mm		JD-0643402	12.34
BLADE (RH)	9187648			P-UB-10	70 mm	100 mm	JD-4388027	442.43
	9187648			Bushing	70 mm		JD-0643402	12.34
BOOM (LH)	9258475G			P-UB-10	70 mm	105 mm	JD-4662895	221.41
	9258475G			P-UB-10	70 mm	105 mm	JD-4662895-EX	480.49
	9258475G			Bushing	70 mm		JD-0310304	29.53
	9258475G			Wear Ring		105 mm	JD-AT264388	26.54
	9258475G			Wear Ring		105 mm	JD-0907801	12.92
BOOM (RH)	9258474G			P-UB-10	70 mm	105 mm	JD-4662895	221.41
	9258474G			P-UB-10	70 mm	105 mm	JD-4662895-EX	480.49
	9258474G			Bushing	70 mm		JD-0310304	29.53
	9258474G			Wear Ring		105 mm	JD-0907801	12.92
	9258474G			Wear Ring		105 mm	JD-AT264388	26.54
BUCKET	9257711G			P-UB-10	70 mm	100 mm	JD-4S00849	92.62
	9257711G			P-UB-10	70 mm	100 mm	JD-4S00849-EX	233.55
	9257711G			Bushing	70 mm		JD-0310304	29.53
	9257711G			Wear Ring		100 mm	JD-4S00840	81.30
	9257711G			Wear Ring		100 mm	JD-4S00839	13.64
THUMB	AT383236		From JUNE 2010	I-UB-14	2-1/2	4	JD-AT383237	585.66

LA - Long Arm LGP - Low Ground Pressure LT - Long Track MFWD - Mechanical Front Wheel Drive MP - Multi-Purpose
 IDM - Inside Dozer Mount ODM - Outside Dozer Mount SLF - Super Long Front STD - Straight Dozer WT - Wide Track

Replacement Kits For

JOHN DEERE®

Excavators								
APPLICATION	CYL #	SERIAL #	Misc	CODE	ROD	BORE	KIT #	List \$
MODEL 135G								
ARM	9323697G	-500002		P-UB-10	80 mm	115 mm	JD-FYA00012900	236.34
	9323697G	-500002		Bushing	80 mm		JD-FXB00002113	37.68
	FYA60043954G	500003-		P-UB-10	80 mm	115 mm	JD-FYA00001395	93.28
	FYA60043954G	500003-		Bushing	80 mm		JD-AT264314	37.68
BLADE (LH)	9187647			P-UB-10	70 mm	100 mm	JD-4388027	442.43
	9187647			Bushing	70 mm		JD-0643402	12.34
BLADE (RH)	9187648			P-UB-10	70 mm	100 mm	JD-4388027	442.43
	9187648			Bushing	70 mm		JD-0643402	12.34
BOOM (LH)	9323700			P-UB-10	70 mm	105 mm	JD-FYA00012899	258.31
	9323700			Bushing	70 mm		JD-FXB00002262	12.34
	9323700	-500002		Bushing	70 mm		JD-FXB00002262	12.34
	9323700	-401260		Bushing	70 mm		JD-FXB00002262	12.34
	FYA60043950			P-UB-10	70 mm	105 mm	JD-FYA00009240	94.77
	FYA60043950	500003-		Bushing	70 mm		JD-0310304	29.53
	FYA60043950	401261-		Bushing	70 mm		JD-0310304	29.53
	FYA60043950			Bushing	70 mm		JD-0310304	29.53
	BOOM (RH)	9323699			P-UB-10	70 mm	105 mm	JD-FYA00012899
9323699		-401260		Bushing	70 mm		JD-FXB00002262	12.34
9323699		-500002		Bushing	70 mm		JD-FXB00002262	12.34
9323699				Bushing	70 mm		JD-FXB00002262	12.34
FYA60043949				P-UB-10	70 mm	105 mm	JD-FYA00009240	94.77
FYA60043949		401261-		Bushing	70 mm		JD-0310304	29.53
FYA60043949		500003-		Bushing	70 mm		JD-0310304	29.53
FYA60043949				Bushing	70 mm		JD-0310304	29.53
BUCKET	9257711G	500003-		P-UB-10	70 mm	100 mm	JD-FYA00011420	81.72
	9257711G	500003-		Bushing	70 mm		JD-0310304	29.53
	9323698G	-500002		P-UB-10	70 mm	100 mm	JD-FYA00012901	300.64
	9323698G	-500002		Bushing	70 mm		JD-FXB00002262	12.34
COUPLER	AT343211			I-U-5	1-1/4	2	JD-AT343210	22.78
THUMB	AT383236			I-UB-14	2-1/2	4	JD-AT383237	585.66
TRACK ADJUSTER							JD-SK100099	12.75
MODEL 160 LC								
ARM	AH155022	All		P-UB-10	85 mm	115 mm	JD-AH155025	419.10
BOOM (LH)	AH155042	All		P-UB-10	80 mm	110 mm	JD-AH155045	456.06
BOOM (RH)	AH155051	All		P-UB-10	80 mm	110 mm	JD-AH155045	456.06
BUCKET	AH155037	All		P-UB-10	75 mm	105 mm	JD-AH155040	613.76
MODEL 160C LC								
ARM	9206378J			P-UB-10	90 mm	120 mm	JD-4467380	316.01
BOOM (LH)	9206377J			P-UB-10	80 mm	110 mm	JD-4467379	291.73
BOOM (RH)	9206376J			P-UB-10	80 mm	110 mm	JD-4467379	291.73
BUCKET	9206379J			P-UB-10	75 mm	105 mm	JD-4467381	217.52
MODEL 160D LC								
ARM				P-UB-10	90 mm	120 mm	JD-4657449	316.01
				P-UB-10	90 mm	120 mm	JD-4657449-EX	376.24
BOOM (LH)				P-UB-10	80 mm	110 mm	JD-4662891	268.44
				P-UB-10	80 mm	110 mm	JD-4662891-EX	351.31
BOOM (RH)				P-UB-10	80 mm	110 mm	JD-4662891	268.44
				P-UB-10	80 mm	110 mm	JD-4662891-EX	351.31
BUCKET				P-UB-10	75 mm	105 mm	JD-4663493	217.52
				P-UB-10	75 mm	105 mm	JD-4663493-EX	272.16
MODEL 160GLC								
ARM	9257020G	-55199		P-UB-10	90 mm	120 mm	JD-4657449	316.01
	9257020G	-55199		P-UB-10	90 mm	120 mm	JD-4657449-EX	376.24
	9257020G	-55199		Bushing	90 mm		JD-AT264321	40.34
	9257020G	-55199		Wear Ring			JD-AT264356	32.31

LA - Long Arm LGP - Low Ground Pressure LT - Long Track MFW - Mechanical Front Wheel Drive MP - Multi-Purpose
 IDM - Inside Dozer Mount ODM - Outside Dozer Mount SLF - Super Long Front STD - Straight Dozer WT - Wide Track

FORMERLY LISTED REPAIR PARTS ARE AVAILABLE ONLINE AT WWW.HERCULESUS.COM
 OR BY CONTACTING YOUR REGIONAL HERCULES SALES TEAM.

JOHN DEERE®

Replacement Kits For

JOHN DEERE®

Excavators								
APPLICATION	CYL #	SERIAL #	Misc	CODE	ROD	BORE	KIT #	List \$
MODEL 160GLC								
ARM	9257020G	-55199		Wear Ring		120 mm	JD-H227906	8.89
	9323703	055200-		P-UB-10	90 mm	120 mm	JD-FYA00012903	454.89
	9323703	055200-		Bushing	90 mm		JD-FXB00002051	44.23
BOOM LH	9257019G	-55193		P-UB-10	80 mm	110 mm	JD-4662891	268.44
	9257019G	-55193		P-UB-10	80 mm	110 mm	JD-4662891-EX	351.31
	9257019G	-55193		Bushing	80 mm		JD-AT264314	37.68
	9257019G	-55193		Wear Ring		110 mm	JD-4S00156	88.77
	9257019G	-55193		Wear Ring		110 mm	JD-1119106	8.71
	9323702	055194-		P-UB-10	80 mm	110 mm	JD-FYA00012902	347.85
	9323702	055194-		Bushing	80 mm		JD-FXB00002113	37.68
BOOM RH	9257018G	-55193		P-UB-10	80 mm	110 mm	JD-4662891	268.44
	9257018G	-55193		P-UB-10	80 mm	110 mm	JD-4662891-EX	351.31
	9257018G	-55193		Bushing	80 mm		JD-AT264314	37.68
	9257018G	-55193		Wear Ring		110 mm	JD-1119106	8.71
	9257018G	-55193		Wear Ring		110 mm	JD-4S00156	88.77
	9323701	055194-		P-UB-10	80 mm	110 mm	JD-FYA00012902	347.85
	9323701	055194-		Bushing	80 mm		JD-FXB00002113	37.68
BUCKET	9257021G	-55223		P-UB-10	75 mm	105 mm	JD-4663493	217.52
	9257021G	-55223		P-UB-10	75 mm	105 mm	JD-4663493-EX	272.16
	9257021G	-55223		Bushing	75 mm		JD-TH109311	32.68
	9257021G	-55223		Wear Ring		105 mm	JD-0907801	12.92
	9257021G	-55223		Wear Ring		105 mm	JD-AT264388	26.54
	9323704	055224-		P-UB-10	75 mm	105 mm	JD-FYA00012904	331.22
	9323704	055224-		Bushing	75 mm		JD-FXB00002087	32.68
THUMB	AT383236		06/28/2010-	I-UB-14	2-1/2	4	JD-AT383237	585.66
MODEL 180GLC								
ARM	9256993G			P-UB-10	90 mm	125 mm	JD-4667663	110.98
	9256993G			Bushing	90 mm		JD-AT264321	40.34
	9256993G	-020081		Bushing	90 mm		JD-AT264321	40.34
	9256993H			P-UB-10	90 mm	125 mm	JD-4667663	110.98
	9256993H	-020123		Bushing	90 mm		JD-AT264321	40.34
	9323707G			P-UB-10	90 mm	125 mm	JD-FYA00012906	409.82
	9323707G	020124-		Bushing	90 mm		JD-FXB00002051	44.23
BOOM (LH)	9323707G			Bushing	90 mm		JD-FXB00002051	44.23
	9256983G			P-UB-10	85 mm	120 mm	JD-AH225136	234.11
	9256983G			Bushing	85 mm		JD-AT264272	41.83
BOOM (RH)	9323706G			P-UB-10	85 mm	120 mm	JD-FYA00012905	304.88
	9323706G			Bushing	85 mm		JD-FXB00002012	41.83
	9256982G			P-UB-10	85 mm	120 mm	JD-AH225136	234.11
BUCKET	9256982G			Bushing	85 mm		JD-AT264272	41.83
	9323705G			P-UB-10	85 mm	120 mm	JD-FYA00012905	304.88
	9323705G			Bushing	85 mm		JD-FXB00002012	41.83
BUCKET	9256994G			P-UB-10	75 mm	105 mm	JD-4663493	217.52
	9256994G			Bushing	75 mm		JD-TH109311	32.68
	9256994G	-020075		Bushing	75 mm		JD-TH109311	32.68
	9323708G			P-UB-10	75 mm	105 mm	JD-FYA00012907	249.27
	9323708G	020076-		Bushing	75 mm		JD-FXB00002087	32.68
	9323708G	020124-		Bushing	75 mm		JD-FXB00002087	32.68
COUPLER	AT343213			I-U-5	1-1/4	2	JD-AT343210	22.78
THUMB	AT383236			I-UB-14	2-1/2	4	JD-AT383237	585.66
TRACK ADJUSTER							JD-SK100100	73.65
MODEL 190E								
ARM	AT200453			P-UB-10	60 mm	95 mm	JD-AT200549	199.63
BLADE	AT200491			P-UB-10	50 mm	80 mm	JD-AT200574	188.96

LA - Long Arm LGP - Low Ground Pressure LT - Long Track MFWD - Mechanical Front Wheel Drive MP - Multi-Purpose
 IDM - Inside Dozer Mount ODM - Outside Dozer Mount SLF - Super Long Front STD - Straight Dozer WT - Wide Track

Replacement Kits For

JOHN DEERE®

Excavators								
APPLICATION	CYL #	SERIAL #	Misc	CODE	ROD	BORE	KIT #	List \$
MODEL 190E								
BOOM	AT200452			P-UB-10	65 mm	115 mm	JD-AT200548	264.72
BUCKET	AT182460			P-UB-10	55 mm	85 mm	JD-AT200550	210.49
OFFSET BOOM ARM	AT200518			P-UB-10	60 mm	95 mm	JD-AT200549	199.63
OFFSET BOOM CYL	AT200507			P-UB-10	60 mm	105 mm	JD-AT200573	200.83
MODEL 200 LC								
ARM		051019-		P-UB-14	100 mm	145 mm	JD-AT264438	394.49
	AH148451	All		P-UB-10	95 mm	130 mm	JD-AH148453	464.94
BOOM (LH)	AH148792	All		P-UB-10	85 mm	120 mm	JD-AH148785	386.78
BOOM (RH)	AH148782	All		P-UB-10	85 mm	120 mm	JD-AH148785	386.78
BUCKET	AH148761	All		P-UB-10	75 mm	110 mm	JD-AH148776	417.83
MODEL 200C LC								
ARM	9169805Y			P-UB-10	95 mm	135 mm	JD-AH173444	294.54
BOOM (LH)	9175423Y			P-UB-10	85 mm	120 mm	JD-AH173457	386.78
BOOM (LH) (SLF)	AH165673			P-UB-10	85 mm	120 mm	JD-AH173457	386.78
BOOM (RH)	9175422Y			P-UB-10	85 mm	120 mm	JD-AH173457	386.78
BOOM (RH) (SLF)	AH148786			P-UB-10	85 mm	120 mm	JD-AH173457	386.78
BUCKET		-503594 ; 503595-		P-UB-10	80 mm	115 mm	JD-AH173451	412.47
BUCKET (SLF)				P-UB-10	65 mm	95 mm	JD-AT196469	406.04
MODEL 200D LC								
ARM				P-UB-10	95 mm	135 mm	JD-AH225135	454.96
BUCKET				P-UB-10	80 mm	115 mm	JD-AH225137	135.77
BUCKET (SLF)	4379259			P-UB-10	65 mm	95 mm	JD-AT196469	406.04
LEFT BOOM	9286529			P-UB-10	85 mm	120 mm	JD-AH225136	234.11
	9286529			P-UB-10	85 mm	120 mm	JD-AH225136-EX	339.38
RIGHT BOOM	9286528			P-UB-10	85 mm	120 mm	JD-AH225136	234.11
	9286528			P-UB-10	85 mm	120 mm	JD-AH225136-EX	339.38
MODEL 210GLC								
ARM	9234748G			P-UB-10	95 mm	135 mm	JD-AH225135	454.96
ARM (SLF)	1112701G			P-UB-10	100 mm	135 mm	JD-4672004	167.95
	1112701G			P-UB-10	100 mm	135 mm	JD-4672004-EX	257.28
	1112701G			Bushing	100 mm		JD-0836104	62.28
	1112701G			Wear Ring		135 mm	JD-H227905	9.15
	1112701G			Wear Ring		135 mm	JD-H178696	56.97
BOOM LH	9286529G			P-UB-10	85 mm	120 mm	JD-AH225136	234.11
	9286529G			P-UB-10	85 mm	120 mm	JD-AH225136-EX	339.38
	9286529G			Bushing	85 mm		JD-T108019	41.83
	9286529G			Wear Ring		120 mm	JD-H227906	8.89
	9286529G			Wear Ring		120 mm	JD-TH104923	52.73
BOOM RH	9286528G			P-UB-10	85 mm	120 mm	JD-AH225136	234.11
	9286528G			P-UB-10	85 mm	120 mm	JD-AH225136-EX	339.38
	9286528G			Bushing	85 mm		JD-T108019	41.83
	9286528G			Wear Ring		120 mm	JD-H227906	8.89
	9286528G			Wear Ring		120 mm	JD-TH104923	52.73
BUCKET	9248307G			P-UB-10	80 mm	115 mm	JD-AH225137	135.77
BUCKET (SLF)	4379259			P-UB-10	65 mm	95 mm	JD-AT196469	406.04
	4379259			Bushing	65 mm		JD-AT264389	26.16
THUMB	AT383236			I-UB-14	2-1/2	4	JD-AT383237	585.66
MODEL 225C LC								
ARM	9169805			P-UB-10	95 mm	135 mm	JD-4661594	294.78
BOOM (LH)	9196649			P-UB-10	85 mm	120 mm	JD-AH225136	234.11
BOOM (RH)	9196650			P-UB-10	85 mm	120 mm	JD-AH225136	234.11
BUCKET	DH900365J			P-UB-10	80 mm	115 mm	JD-AH173451	412.47
MODEL 225DLC								
ARM	9234748G			P-UB-10	95 mm	135 mm	JD-AH225135	454.96
	9234748G			Bushing	95 mm		JD-T108050	45.45

LA - Long Arm LGP - Low Ground Pressure LT - Long Track MFWD - Mechanical Front Wheel Drive MP - Multi-Purpose
 IDM - Inside Dozer Mount ODM - Outside Dozer Mount SLF - Super Long Front STD - Straight Dozer WT - Wide Track

FORMERLY LISTED REPAIR PARTS ARE AVAILABLE ONLINE AT WWW.HERCULESUS.COM
 OR BY CONTACTING YOUR REGIONAL HERCULES SALES TEAM.

JOHN DEERE®

Replacement Kits For

JOHN DEERE®

Excavators								
APPLICATION	CYL #	SERIAL #	Misc	CODE	ROD	BORE	KIT #	List \$
MODEL 225DLC								
BOOM (LH)	9286538G			P-UB-10	85 mm	120 mm	JD-AH225136	234.11
	9286538G			Bushing	85 mm		JD-AT264272	41.83
BOOM (RH)	9286538G			P-UB-10	85 mm	120 mm	JD-AH225136	234.11
	9286538G			Bushing	85 mm		JD-AT264272	41.83
BUCKET	9248307G			P-UB-10	80 mm	115 mm	JD-AH225137	135.77
	9248307G			Bushing	80 mm		JD-T108041	37.68
COUPLER	AT343213			I-U-5	1-1/4	2	JD-AT343210	22.78
THUMB	AT339877			I-U-10	2-1/2	4	JD-AT339879	46.36
	AT383236			I-UB-14	2-1/2	4	JD-AT383237	585.66
TRACK ADJUSTER							JD-SK100100	73.65
MODEL 230 LC								
ARM	AT154865	All		P-UB-14	100 mm	135 mm	JD-AT183658	242.34
	AT154865	All		Bushing	100 mm		JD-AT131414	62.79
	AT154865	All		Wear Ring		135 mm	JD-AT154718	23.42
	AT154865	All		Wear Ring		135 mm	JD-TH110033	66.74
BOOM (LH)	AT154864	All		P-UB-14	90 mm	125 mm	JD-AT154867	263.70
	AT154864	All		Bushing	90 mm		JD-AT154779	40.34
	AT154864	All		Wear Ring		125 mm	JD-AT154735	17.02
BOOM (RH)	AT154864	All		Wear Ring		125 mm	JD-AT154700	61.48
	AT154864	All		P-UB-14	90 mm	125 mm	JD-AT154867	263.70
	AT154864	All		Bushing	90 mm		JD-AT154779	40.34
BUCKET	AT154864	All		Wear Ring		125 mm	JD-AT154700	61.48
	AT182459	All		P-UB-14	85 mm	125 mm	JD-AT181250	185.76
	AT182459	All		Bushing	85 mm		JD-AT154778	41.83
	AT182459	All		Wear Ring		125 mm	JD-AT154735	17.02
AT182459	All		Wear Ring		125 mm	JD-AT154700	61.48	
MODEL 230C LC								
ARM		-603582		P-UB-14	105 mm	140 mm	JD-9207059	206.49
	9234731J	603583-		P-UB-10	105 mm	140 mm	JD-4631062	301.54
ARM (SLF)				P-UB-10	105 mm	145 mm	JD-4369943	362.45
BOOM (LH)		603538-603552 ; 603514		P-UB-14	90 mm	125 mm	JD-4485612	144.21
	9234729J	603515-603552 ; 603553-		P-UB-10	90 mm	125 mm	JD-4662069	250.57
BOOM (RH)		603538-603552 ; 603514		P-UB-14	90 mm	125 mm	JD-4485612	144.21
	9234729J	603515-603537 ; 603533-		P-UB-10	90 mm	125 mm	JD-4662069	250.57
BUCKET		-603533		P-UB-14	90 mm	130 mm	JD-4485614	162.48
BUCKET (SLF)				P-UB-10	65 mm	95 mm	JD-AT196469	406.04
MODEL 240D LC								
ARM	PG200017G			P-UB-10	100 mm	140 mm	JD-4649050	334.77
	PG200017G			P-UB-10	100 mm	140 mm	JD-4649050-EX	465.11
ARM (SLF)	4388916			P-UB-10	105 mm	145 mm	JD-4369943	362.45
	4388916			P-UB-10	105 mm	145 mm	JD-4369943-EX	442.02
BOOM (LH)				P-UB-10	90 mm	125 mm	JD-4662069	250.57
BOOM (RH)				P-UB-10	90 mm	125 mm	JD-4662069	250.57
BUCKET				P-UB-10	90 mm	130 mm	JD-4662066	208.54
				P-UB-10	90 mm	130 mm	JD-4662066-EX	332.28
BUCKET (SLF)	4379259			P-UB-10	65 mm	95 mm	JD-AT196469	406.04
THUMB	AT383236			I-UB-14	3	5	JD-AT383285	344.72
MODEL 245GLC								
ARM	9312271G			P-UB-10	95 mm	135 mm	JD-FYA00001400	177.54
	9312271G			Bushing	95 mm		JD-T108050	45.45
	9312271G			Wear Ring		135 mm	JD-H227905	9.15

LA - Long Arm LGP - Low Ground Pressure LT - Long Track MFWD - Mechanical Front Wheel Drive MP - Multi-Purpose
 IDM - Inside Dozer Mount ODM - Outside Dozer Mount SLF - Super Long Front STD - Straight Dozer WT - Wide Track

Replacement Kits For

JOHN DEERE®

Excavators								
APPLICATION	CYL #	SERIAL #	Misc	CODE	ROD	BORE	KIT #	List \$
MODEL 245GLC								
ARM	9312271G			Wear Ring		135 mm	JD-H178696	56.97
BOOM LH	9315652G			P-UB-10	85 mm	120 mm	JD-FYA00001396	135.28
	9315652G			Bushing	85 mm		JD-AT264272	41.83
	9315652G			Wear Ring			JD-AT264356	32.31
	9315652G			Wear Ring		120 mm	JD-H227906	8.89
BOOM RH	9315651G			P-UB-10	85 mm	120 mm	JD-FYA00001396	135.28
	9315651G			Bushing	85 mm		JD-AT264272	41.83
	9315651G			Wear Ring			JD-AT264356	32.31
	9315651G			Wear Ring		120 mm	JD-H227906	8.89
BUCKET	9312272G			P-UB-10	80 mm	115 mm	JD-FYA00001392	135.94
	9312272G			Bushing	80 mm		JD-AT264314	37.68
	9312272G			Wear Ring		115 mm	JD-TH109357	45.42
	9312272G			Wear Ring		115 mm	JD-H227907	8.71
THUMB	AT383236			I-UB-14	2-1/2	4	JD-AT383237	585.66
TRACK ADJUSTER	9303131						JD-SK100100	73.65
MODEL 250GLC								
ARM	9246750G			P-UB-10	100 mm	140 mm	JD-FYA00006591	177.94
	9246750G			P-UB-10	100 mm	140 mm	JD-FYA00006591-EX	272.85
	9246750G			Bushing	100 mm		JD-0836104	62.28
	9246750G			Wear Ring		140 mm	JD-TH102797	57.69
	9246750G			Wear Ring			JD-4S00705	20.60
ARM (SLF)	4388916			P-UB-10	105 mm	145 mm	JD-4369943	362.45
	4388916			P-UB-10	105 mm	145 mm	JD-4369943-EX	442.02
	4388916			Bushing	105 mm		JD-0373405	53.57
	4388916			Wear Ring		145 mm	JD-4S00804	90.75
	4388916			Wear Ring		145 mm	JD-0492209	20.60
BOOM LH	9261586G			P-UB-10	90 mm	125 mm	JD-4662069	250.57
	9261586G			P-UB-10	90 mm	125 mm	JD-4662069-EX	281.19
	9261586G			Bushing	90 mm		JD-AT264321	40.34
	9261586G			Wear Ring			JD-4S00708	15.98
	9261586G			Wear Ring		125 mm	JD-AT264362	10.43
BOOM RH	9261586G			P-UB-10	90 mm	125 mm	JD-4S00715	155.47
	9261586G			P-UB-10	90 mm	125 mm	JD-4S00715-EX	186.19
	9261586G			Bushing	90 mm		JD-AT264321	40.34
	9261586G			Wear Ring		125 mm	JD-AT264362	10.43
	9261586G			Wear Ring			JD-4S00708	15.98
BUCKET	9282252G			P-UB-10	90 mm	130 mm	JD-4662066	208.54
	9282252G			P-UB-10	90 mm	130 mm	JD-4662066-EX	332.28
	9282252G			Bushing	90 mm		JD-AT264321	40.34
	9282252G			Wear Ring		130 mm	JD-H155318	55.92
	9282252G			Wear Ring			JD-4S00712	18.78
BUCKET (SLF)	4379259			P-UB-10	65 mm	95 mm	JD-AT196469	406.04
	4379259			Bushing	65 mm		JD-AT264389	26.16
THUMB	AT383284			I-UB-14	3	5	JD-AT383285	344.72
MODEL 270C LC								
ARM			Aug 2004 -	P-UB-10	100 mm	145 mm	JD-4639938	316.36
			- Aug 2004	P-UB-14	100 mm	145 mm	JD-AT264438	394.49
ARM (SLF)				P-UB-10	105 mm	145 mm	JD-4369943	362.45
BOOM (LH)			Aug 2004 -	P-UB-10	95 mm	135 mm	JD-4639936	328.06
	9245979J		- Aug 2004	P-UB-14	95 mm	135 mm	JD-4485615	192.99
BOOM (RH)			Aug 2004 -	P-UB-10	95 mm	135 mm	JD-4639936	328.06
	9245978J		- Aug 2004	P-UB-14	95 mm	135 mm	JD-4485615	192.99
BUCKET			- Aug 2004	P-UB-14	90 mm	135 mm	JD-AT264439	441.98

LA - Long Arm LGP - Low Ground Pressure LT - Long Track MFWD - Mechanical Front Wheel Drive MP - Multi-Purpose
 IDM - Inside Dozer Mount ODM - Outside Dozer Mount SLF - Super Long Front STD - Straight Dozer WT - Wide Track

FORMERLY LISTED REPAIR PARTS ARE AVAILABLE ONLINE AT WWW.HERCULESUS.COM
 OR BY CONTACTING YOUR REGIONAL HERCULES SALES TEAM.

Replacement Kits For

JOHN DEERE®

Excavators								
APPLICATION	CYL #	SERIAL #	Misc	CODE	ROD	BORE	KIT #	List \$
MODEL 270C LC								
BUCKET			Aug 2004 -	P-UB-10	90 mm	135 mm	JD-4639939	378.12
BUCKET (SLF)				P-UB-10	65 mm	95 mm	JD-AT196469	406.04
MODEL 270D LC								
ARM				P-UB-14	105 mm	150 mm	JD-4649752	302.39
ARM (SLF)	4388916			P-UB-10	105 mm	145 mm	JD-4369943	362.45
	4388916			P-UB-10	105 mm	145 mm	JD-4369943-EX	442.02
BOOM (LH)				P-UB-14	95 mm	135 mm	JD-4649745	216.06
BOOM (RH)				P-UB-14	95 mm	135 mm	JD-4649745	216.06
BUCKET				P-UB-14	90 mm	135 mm	JD-4649751	220.44
BUCKET (SLF)	4379259			P-UB-10	65 mm	95 mm	JD-AT196469	406.04
THUMB	AT383236			I-UB-14	3	5	JD-AT383285	344.72
MODEL 290D								
ARM	AT130515	All		P-UB-10	70 mm	105 mm	JD-AT130601	228.30
BOOM	AT130512	All		P-UB-10	65 mm	95 mm	JD-AT130600	183.68
	AT130513	All		P-UB-10	65 mm	95 mm	JD-AT130600	183.68
BUCKET	AT182454	All		P-UB-10	60 mm	95 mm	JD-AT130602	156.89
	AT182454	All		Bushing	60 mm		JD-TH110296	24.84
MODEL 290GLC								
ARM	9246544	-706203	piston 0971316	P-UB-14	105 mm	150 mm	JD-FYA00010733	297.57
	9246544G	-706203	piston 0971316	P-UB-14	105 mm	150 mm	JD-FYA00010733	297.57
	9246544G	-706203	piston FYA00009045	P-UB-10	105 mm	150 mm	JD-FYA00008675	312.65
	9246544G	-706203		Bushing	105 mm		JD-0971302	55.84
	9309807G	-706203	piston 0971316	P-UB-14	105 mm	150 mm	JD-FYA00010733	297.57
	9309807G	-706203	piston FYA00009045	P-UB-10	105 mm	150 mm	JD-FYA00008675	312.65
	9309807G	706204-		P-UB-10	105 mm	150 mm	JD-FYA00006594	259.64
	9309807G	706204-		Bushing	105 mm		JD-FXB00002479	55.84
	9309807G	-706203		Bushing	105 mm		JD-0971302	55.84
	ARM SLF	4388916			P-UB-10	105 mm	145 mm	JD-4369943
4388916				Bushing	105 mm		JD-0373405	53.57
9162869				P-UB-10	105 mm	145 mm	JD-4369943	362.45
9162869				Bushing	105 mm		JD-0373405	53.57
BOOM (LH)	9261597G		piston 0971215	P-UB-14	95 mm	135 mm	JD-FYA00010734	194.10
	9261597G		piston FYA00009046	P-UB-14	95 mm	135 mm	JD-FYA00008823	203.96
	9261597G			Bushing	95 mm		JD-0971202	45.45
BOOM (RH)	9261597G		piston 0971215	P-UB-14	95 mm	135 mm	JD-FYA00010734	194.10
	9261597G		piston FYA00009046	P-UB-14	95 mm	135 mm	JD-FYA00008823	203.96
	9261597G			Bushing	95 mm		JD-0971202	45.45
BUCKET	9246545	-706256	piston 0971413	P-UB-14	90 mm	135 mm	JD-FYA00010735	235.24
	9246545G	-706256	piston FYA00009047	P-UB-14	90 mm	135 mm	JD-FYA00008826	231.50
	9246545G	-706256	piston 0971413	P-UB-14	90 mm	135 mm	JD-FYA00010735	235.24
	9246545G	-706256		Bushing	90 mm		JD-0971402	44.23
	9309808G	-706256	piston 0971413	P-UB-14	90 mm	135 mm	JD-FYA00010735	235.24
	9309808G	-706256	piston FYA00009047	P-UB-14	90 mm	135 mm	JD-FYA00008826	231.50
	9309808G	706527-		P-UB-10	90 mm	135 mm	JD-FYA00006595	386.39
	9309808G	-706256		Bushing	90 mm		JD-0971402	44.23
BUCKET SLF	9156726			P-UB-10	65 mm	95 mm	JD-AT196469	406.04
	9156726			Bushing	65 mm		JD-AT264389	26.16
THUMB	AT383284			I-UB-14	3	5	JD-AT383285	344.72
TRACK ADJUSTER							JD-SK100101	48.38

LA - Long Arm LGP - Low Ground Pressure LT - Long Track MFWD - Mechanical Front Wheel Drive MP - Multi-Purpose
 IDM - Inside Dozer Mount ODM - Outside Dozer Mount SLF - Super Long Front STD - Straight Dozer WT - Wide Track

Replacement Kits For

JOHN DEERE®

Excavators								
APPLICATION	CYL #	SERIAL #	Misc	CODE	ROD	BORE	KIT #	List \$
MODEL 300GLC								
ARM	9309807G			P-UB-10	105 mm	150 mm	JD-FYA00006594	259.64
ARM SLF	4388916			P-UB-10	105 mm	145 mm	JD-4369943	362.45
	4388916			Bushing	105 mm		JD-0373405	53.57
BOOM LH	9309806G			P-UB-10	95 mm	135 mm	JD-FYA00006593	333.87
	9309806G			Bushing	95 mm		JD-263G857041	45.45
BOOM LH SLF	9261597G		Piston 0971215	P-UB-14	95 mm	135 mm	JD-FYA00010734	194.10
	9261597G		Piston FYA00009046	P-UB-14	95 mm	135 mm	JD-FYA00008823	203.96
	9261597G			Bushing	95 mm		JD-0971202	45.45
BOOM RH	9309805G			P-UB-10	95 mm	135 mm	JD-FYA00006593	333.87
	9309805G			Bushing	95 mm		JD-263G857041	45.45
BOOM RH SLF	0971234G		Piston 0971215	P-UB-14	95 mm	135 mm	JD-FYA00010734	194.10
	0971234G		Piston FYA00009046	P-UB-14	95 mm	135 mm	JD-FYA00008823	203.96
	0971234G			Bushing	95 mm		JD-0971202	45.45
BUCKET	9309808G			P-UB-10	90 mm	135 mm	JD-FYA00006595	386.39
	9309808G			Bushing	90 mm		JD-FXB00002051	44.23
BUCKET SLF	9156726			P-UB-10	65 mm	95 mm	JD-AT196469	406.04
	9156726			Bushing	65 mm		JD-AT264389	26.16
THUMB	AT383284			I-UB-14	3	5	JD-AT383285	344.72
TRACK ADJUSTER	9243657R						JD-SK100101	48.38
MODEL 330 LC								
BOOM (Log Loader) (LH)		051012-		P-UB-14	115 mm	170 mm	JD-AT264441	458.44
BOOM (Log Loader) (RH)		051012-		P-UB-14	115 mm	170 mm	JD-AT264441	458.44
BUCKET	AT250263	All		P-UB-14	95 mm	145 mm	JD-AT181792	209.84
	AT250263	All		Bushing	95 mm		JD-AT131420	53.46
	AT250263	All		Wear Ring		145 mm	JD-TH110062	73.01
	AT250263	All		Wear Ring		145 mm	JD-TH110063	27.14
MODEL 330C LC								
ARM	0961401JEX		Aug 2004 -	P-UB-14	115 mm	170 mm	JD-4640118	520.71
	TH9206360		- Aug 2004	P-UB-14	115 mm	170 mm	JD-AT264441	458.44
BOOM (LH)	0961201JEX	804316-		P-UB-14	105 mm	150 mm	JD-4640107	683.91
	TH9206359	-804315		P-UB-14	105 mm	150 mm	JD-AT264440	470.83
BOOM (RH)	0961201JEX	804316-		P-UB-14	105 mm	150 mm	JD-4640107	683.91
	TH9206359	-804315		P-UB-14	105 mm	150 mm	JD-AT264440	470.83
BUCKET	0961501JEX		Aug 2004 -	P-UB-14	95 mm	145 mm	JD-4640108	597.85
	TH9206361		- Aug 2004	P-UB-14	95 mm	145 mm	JD-AT264430	432.01
MODEL 350D LC								
ARM				P-UB-10	115 mm	170 mm	JD-4S00930	295.84
				P-UB-10	115 mm	170 mm	JD-4S00930-EX	471.20
ARM (SLF)				P-UB-14	115 mm	170 mm	JD-4640118	520.71
BOOM (LH)				P-UB-10	100 mm	145 mm	JD-4S00783	271.38
				P-UB-10	100 mm	145 mm	JD-4S00783-EX	450.26
BOOM (RH)				P-UB-10	100 mm	145 mm	JD-4S00783	271.38
				P-UB-10	100 mm	145 mm	JD-4S00783-EX	450.26
BUCKET				P-UB-10	95 mm	140 mm	JD-4S07784	241.69
				P-UB-10	95 mm	140 mm	JD-4S07784-EX	372.02
BUCKET (18m SLF)	4370785			P-UB-10	75 mm	105 mm	JD-AH155040	613.76
BUCKET (22m SLF)	4379259			P-UB-10	65 mm	95 mm	JD-AT196469	406.04
THUMB	AT383236			I-UB-14	3	5	JD-AT383285	344.72
MODEL 350GLC								
ARM	9303616	-808223		P-UB-10	115 mm	170 mm	JD-4S00930	295.84
	9303616	-808223		P-UB-10	115 mm	170 mm	JD-4S00930-EX	471.20
	9303616	-808223		Bushing	115 mm		JD-0352704	60.50
	9303616	-808223		Wear Ring		170 mm	JD-AT264248	26.52
	9303616	-808223		Wear Ring		170 mm	JD-4S00858	24.83

LA - Long Arm LGP - Low Ground Pressure LT - Long Track MFWD - Mechanical Front Wheel Drive MP - Multi-Purpose
 IDM - Inside Dozer Mount ODM - Outside Dozer Mount SLF - Super Long Front STD - Straight Dozer WT - Wide Track

FORMERLY LISTED REPAIR PARTS ARE AVAILABLE ONLINE AT WWW.HERCULESUS.COM
 OR BY CONTACTING YOUR REGIONAL HERCULES SALES TEAM.

Replacement Kits For

JOHN DEERE®

Excavators								
APPLICATION	CYL #	SERIAL #	Misc	CODE	ROD	BORE	KIT #	List \$
MODEL 350GLC								
ARM	9303616G	808224-		P-UB-10	115 mm	170 mm	JD-FYA00008837	570.09
	9303616G	808224-		Bushing	115 mm		JD-1237306	25.17
ARM (SLF)	4611472			P-UB-14	115 mm	170 mm	JD-4640118	520.71
	4611472			Bushing	115 mm		JD-0961415	74.09
BOOM LH	9261587G	-808213		P-UB-10	100 mm	145 mm	JD-FYA00006596	161.45
	9261587G	-808213		P-UB-10	100 mm	145 mm	JD-FYA00006596-EX	296.98
	9261587G	-808213		Bushing	100 mm		JD-0836104	62.28
	9261587G	-808213		Wear Ring		145 mm	JD-4S00803	20.60
	9261587G	-808213		Wear Ring		145 mm	JD-4S00804	90.75
	9303615	808214-		P-UB-10	100 mm	145 mm	JD-FYA00008840	512.90
	9303615	808214-		Bushing	100 mm		JD-1237106	50.23
	9303615	808214-		P-UB-10	100 mm	145 mm	JD-FYA00006596	161.45
BOOM RH	9261587G	-808213		P-UB-10	100 mm	145 mm	JD-FYA00006596	161.45
	9261587G	-808213		P-UB-10	100 mm	145 mm	JD-FYA00006596-EX	296.98
	9261587G	-808213		Bushing	100 mm		JD-0836104	62.28
	9261587G	-808213		Wear Ring		145 mm	JD-4S00804	90.75
	9261587G	-808213		Wear Ring		145 mm	JD-4S00803	20.60
	9303614	808214-		P-UB-10	100 mm	145 mm	JD-FYA00008840	512.90
	9303614	808214-		Bushing	100 mm		JD-1237106	50.23
	9303614	808214-		P-UB-10	100 mm	145 mm	JD-FYA00008840	512.90
BUCKET	9303617	-808228		P-UB-10	95 mm	140 mm	JD-FYA00001398	162.73
	9303617	-808228		P-UB-10	95 mm	140 mm	JD-FYA00001398-EX	257.62
	9303617	-808228		Bushing	95 mm		JD-T108050	45.45
	9303617	-808228		Wear Ring		140 mm	JD-TH102797	57.69
	9303617	-808228		Wear Ring			JD-4S00705	20.60
	9303617G	808229-		P-UB-10	95 mm	140 mm	JD-FYA00008843	479.99
	9303617G	808229-		Bushing	95 mm		JD-0971202	45.45
	9303617G	808229-		P-UB-10	75 mm	105 mm	JD-AH155040	613.76
BUCKET (SLF)	4370785JEX		18m	P-UB-10	75 mm	105 mm	JD-AH155040	613.76
	4370785JEX		18m	Bushing	75 mm		JD-TH109311	32.68
	4379259			P-UB-10	65 mm	95 mm	JD-AT196469	406.04
	4379259			Bushing	65 mm		JD-AT264389	26.16
THUMB	AT383284		06/28/2010-	I-UB-14	3	5	JD-AT383285	344.72
MODEL 370								
BOOM (Log Loader) (LH)		051005-		P-UB-14	115 mm	170 mm	JD-AT264441	458.44
BOOM (Log Loader) (RH)		051005-		P-UB-14	115 mm	170 mm	JD-AT264441	458.44
BUCKET	AT250263	All		P-UB-14	95 mm	145 mm	JD-AT181792	209.84
	AT250263	All		Bushing	95 mm		JD-AT131420	53.46
	AT250263	All		Wear Ring		145 mm	JD-TH110062	73.01
	AT250263	All		Wear Ring		145 mm	JD-TH110063	27.14
MODEL 370C								
ARM	0961401JEX		Aug 2004 -	P-UB-14	115 mm	170 mm	JD-4640118	520.71
	TH9206360		- Aug 2004	P-UB-14	115 mm	170 mm	JD-AT264441	458.44
BOOM (LH)	0961201JEX	083163-		P-UB-14	105 mm	150 mm	JD-4640107	683.91
	TH9206359	-083162		P-UB-14	105 mm	150 mm	JD-AT264440	470.83
BOOM (RH)	0961201JEX	083163-		P-UB-14	105 mm	150 mm	JD-4640107	683.91
	TH9206359	-083162		P-UB-14	105 mm	150 mm	JD-AT264440	470.83
BUCKET	0961501JEX		Aug 2004 -	P-UB-14	95 mm	145 mm	JD-4640108	597.85
	TH9206361		- Aug 2004	P-UB-14	95 mm	145 mm	JD-AT264430	432.01
MODEL 450 LC								
BUCKET LONG ARM	AT182461	803513-		P-UB-14	95 mm	145 mm	JD-AT181792	209.84
	AT182461	-803512		P-UB-14	95 mm	145 mm	JD-AT201185	365.61
	AT182461	All		Bushing	95 mm		JD-AT131420	53.46

LA - Long Arm LGP - Low Ground Pressure LT - Long Track MFWD - Mechanical Front Wheel Drive MP - Multi-Purpose
 IDM - Inside Dozer Mount ODM - Outside Dozer Mount SLF - Super Long Front STD - Straight Dozer WT - Wide Track

Replacement Kits For

JOHN DEERE®

Excavators								
APPLICATION	CYL #	SERIAL #	Misc	CODE	ROD	BORE	KIT #	List \$
MODEL 450 LC								
BUCKET LONG ARM	AT182461	All		Wear Ring		145 mm	JD-TH110063	27.14
	AT182461	All		Wear Ring		145 mm	JD-TH110062	73.01
MODEL 450C LC								
ARM				P-UB-10	130 mm	190 mm	JD-AT302758	527.90
BOOM (LH)		091287-		P-UB-10	115 mm	170 mm	JD-AT196471	494.16
		-091286		P-UB-14	115 mm	170 mm	JD-9180582	324.44
BOOM (RH)		-091286		P-UB-14	115 mm	170 mm	JD-9180582	324.44
		091287-		P-UB-10	115 mm	170 mm	JD-AT196471	494.16
BUCKET (LA)			- Dec 2005	P-UB-14	95 mm	145 mm	JD-AT264430	432.01
MODEL 450D LC								
ARM	4653044G			P-UB-10	130 mm	190 mm	JD-4653041	350.94
	4653044G			P-UB-10	130 mm	190 mm	JD-4653041-EX	594.75
BOOM (LH)	4653043G			P-UB-10	115 mm	170 mm	JD-4S00961	299.74
	4653043G			P-UB-10	115 mm	170 mm	JD-4S00961-EX	495.58
BOOM (RH)				P-UB-10	115 mm	170 mm	JD-4653040	299.74
				P-UB-10	115 mm	170 mm	JD-4653040-EX	495.58
BUCKET				P-UB-10	120 mm	170 mm	JD-4S00959	158.80
				P-UB-10	120 mm	170 mm	JD-4S00959-EX	350.86
BUCKET (LA)	4658553G			P-UB-10	95 mm	145 mm	JD-4660570	247.50
THUMB	AT383236			I-UB-14	3	5	JD-AT383285	344.72
MODEL 470GLC								
ARM	4712920			P-UB-10	130 mm	190 mm	JD-4S00960	461.15
	4712920			P-UB-10	130 mm	190 mm	JD-4S00960-EX	574.63
	4712920			Bushing	130 mm		JD-AT264250	85.79
	4712920			Wear Ring		190 mm	JD-0972305	44.71
	4712920			Wear Ring		190 mm	JD-AT264245	52.88
BOOM LH	4698939			P-UB-10	115 mm	170 mm	JD-4S00961	299.74
	4698939			P-UB-10	115 mm	170 mm	JD-4S00961-EX	495.58
	4698939			Bushing	115 mm		JD-0352704	60.50
	4698939			Wear Ring		170 mm	JD-4S00858	24.83
	4698939			Wear Ring		170 mm	JD-AT264248	26.52
BOOM RH	4698938			P-UB-10	115 mm	170 mm	JD-4686432	504.91
	4698938			Bushing	115 mm		JD-0352704	60.50
BUCKET	FYA00004897			P-UB-10	120 mm	170 mm	JD-4S00959	158.80
	FYA00004897			P-UB-10	120 mm	170 mm	JD-4S00959-EX	350.86
	FYA00004897			Bushing	120 mm		JD-AT264291	58.61
	FYA00004897			Wear Ring		170 mm	JD-4S00858	24.83
	FYA00004897			Wear Ring		170 mm	JD-AT264248	26.52
COUNTERWEIGHT	4723756			P-UB-10	85 mm	130 mm	JD-FXB00001834	236.43
	4723756			Bushing	85 mm		JD-FXB00001811	44.67
THUMB	AT383284		06/28/2010-	I-UB-14	3	5	JD-AT383285	344.72
MODEL 490E								
ARM	AT154402	All		P-UB-10	80 mm	110 mm	JD-AT177556	313.54
	AT154402	All		Bushing	80 mm		JD-T108041	37.68
	AT154402	All		Wear Ring		110 mm	JD-AT153830	88.77
	AT154402	All		Wear Ring		110 mm	JD-AT153936	14.55
BOOM (LH)	AT154399	All		P-UB-10	70 mm	105 mm	JD-AT176822	225.63
	AT154399	All		Bushing	70 mm		JD-AT133645	29.53
	AT154399	All		Wear Ring		105 mm	JD-TH109323	39.56
	AT154399	All		Wear Ring		105 mm	JD-TH109324	107.26
BOOM (RH)	AT154396	All		P-UB-10	70 mm	105 mm	JD-AT176822	225.63
	AT154396	All		Bushing	70 mm		JD-AT133645	29.53
	AT154396	All		Wear Ring		105 mm	JD-TH109324	107.26
	AT154396	All		Wear Ring		105 mm	JD-TH109323	39.56
BUCKET	AT154407	All		P-UB-10	65 mm	95 mm	JD-AT176737	242.34

LA - Long Arm LGP - Low Ground Pressure LT - Long Track MFWD - Mechanical Front Wheel Drive MP - Multi-Purpose
 IDM - Inside Dozer Mount ODM - Outside Dozer Mount SLF - Super Long Front STD - Straight Dozer WT - Wide Track

FORMERLY LISTED REPAIR PARTS ARE AVAILABLE ONLINE AT WWW.HERCULESUS.COM
 OR BY CONTACTING YOUR REGIONAL HERCULES SALES TEAM.

JOHN DEERE®

Replacement Kits For

JOHN DEERE®

Excavators								
APPLICATION	CYL #	SERIAL #	Misc	CODE	ROD	BORE	KIT #	List \$
MODEL 490E								
BUCKET	AT154407	All		Bushing	65 mm		JD-TH109372	26.16
	AT154407	All		Wear Ring		95 mm	JD-TH109377	12.24
	AT154407	All		Wear Ring		95 mm	JD-TH109378	42.35
MODEL 590D								
ARM	AT127249	All		P-UB-10	85 mm	120 mm	JD-AT192075	161.48
	AT127249	All		Bushing	85 mm		JD-T108019	41.83
	AT127249	All		Wear Ring		120 mm	JD-T108046	13.46
	AT127249	All		Wear Ring		120 mm	JD-TH104923	52.73
BOOM (LH)	AT127250	All		P-UB-10	80 mm	115 mm	JD-AT194335	337.95
	AT127250	All		Bushing	80 mm		JD-T108041	37.68
	AT127250	All		Wear Ring		115 mm	JD-TH109356	14.74
BOOM (RH)	AT127250	All		Wear Ring		115 mm	JD-TH109357	45.42
	AT127251	All		P-UB-10	80 mm	115 mm	JD-AT194335	337.95
	AT127251	All		Bushing	80 mm		JD-T108041	37.68
BUCKET	AT127251	All		Wear Ring		115 mm	JD-TH109357	45.42
	AT127251	All		Wear Ring		115 mm	JD-TH109356	14.74
	AT127248	All		P-UB-10	80 mm	115 mm	JD-AT194335	337.95
	AT127248	All		Bushing	80 mm		JD-T108041	37.68
BUCKET	AT127248	All		Wear Ring		115 mm	JD-TH109356	14.74
	AT127248	All		Wear Ring		115 mm	JD-TH109357	45.42
	AT182452	All		P-UB-10	80 mm	115 mm	JD-AT194335	337.95
	AT182452	All		Bushing	80 mm		JD-T108041	37.68
	AT182452	All		Wear Ring		115 mm	JD-TH109356	14.74
	AT182452	All		Wear Ring		115 mm	JD-TH109357	45.42
	AT182452	All		Wear Ring		115 mm	JD-TH109357	45.42
MODEL 670GLC								
ARM	4653859G			P-UB-10	140 mm	200 mm	JD-4438684	620.34
	4653859G			Bushing	140 mm		JD-0379806	120.53
BOOM (LH)	4653858G			P-UB-10	130 mm	190 mm	JD-4653041	350.94
	4653858G			Bushing	130 mm		JD-AT264250	85.79
BOOM (RH)	4653858G			P-UB-10	130 mm	190 mm	JD-4653041	350.94
	4653858G			Bushing	130 mm		JD-AT264250	85.79
BUCKET	4653860G			P-UB-10	130 mm	180 mm	JD-4652906	138.42
	4653860G			Bushing	130 mm		JD-AT264250	85.79
BUCKET (Mass Excavating)	4659269G			P-UB-10	130 mm	190 mm	JD-4653041	350.94
	4659269G			Bushing	130 mm		JD-AT264250	85.79
COUNTERWEIGHT	4723757			P-UB-10	85 mm	130 mm	JD-FXB00001834	236.43
	4723757			Bushing	85 mm		JD-FXB00001811	44.67
TRACK ADJUSTER							JD-SK100102	193.01
MODEL 690CR								
ANGLING	AU13861	All		P-V-8	1-1/2	3-1/2	JD-AR105432	59.63
ARM	RE21406	All		P-UB-1	3-1/4		JD-RE21401	115.87
	RE21406	All		N-N-14		5-1/2	JD-RE15907	164.17
BOOM	RE18949	-509184		P-V-1	2-3/4		JD-RE17342	84.13
	RE18949	-509184		N-N-14		5	JD-RE15905	134.63
	RE21394	509185-		P-UB-1	2-3/4		JD-RE21395	168.98
	RE21394	509185-		N-N-14		5	JD-RE15905	134.63
BUCKET	RE21400	All		P-UB-1	3-1/4		JD-RE21401	115.87
	RE21400	All		N-N-14		5-1/2	JD-RE14102	164.17
LIFT	AU13861	All		P-V-8	1-1/2	3-1/2	JD-AR105432	59.63
TILT	AU13847	All		P-V-8	1-1/2	3-1/2	JD-AR105432	59.63
MODEL 690E								
ARM	AH144677			P-UB-14	95 mm	130 mm	JD-AH144595	386.46
BOOM	AH140588			P-UB-14	85 mm	120 mm	JD-AH144594	462.92
	AH144671			P-UB-14	85 mm	120 mm	JD-AH144594	462.92
	AH144674			P-UB-14	85 mm	120 mm	JD-AH144594	462.92

LA - Long Arm LGP - Low Ground Pressure LT - Long Track MFWD - Mechanical Front Wheel Drive MP - Multi-Purpose
 IDM - Inside Dozer Mount ODM - Outside Dozer Mount SLF - Super Long Front STD - Straight Dozer WT - Wide Track

Replacement Kits For

JOHN DEERE®

Excavators									
APPLICATION	CYL #	SERIAL #	Misc	CODE	ROD	BORE	KIT #	List \$	
MODEL 690E									
BUCKET	AH140587			P-UB-14	75 mm	110 mm	JD-AH144593	432.18	
	AH142409			P-UB-14	75 mm	110 mm	JD-AH144593	432.18	
MODEL 690E LC									
ARM	AH140590	-544625		P-UB-14	95 mm	130 mm	JD-AH144595	386.46	
	AH140590	-544625		Bushing	95 mm		JD-H146481	45.45	
	AH144677	544626-		P-UB-14	95 mm	130 mm	JD-AH144595	386.46	
	AH144677	544626-		Bushing	95 mm		JD-H146481	45.45	
BOOM (LH)	AH140588	-544743		P-UB-14	85 mm	120 mm	JD-AH144594	462.92	
	AH140588	-544743		Bushing	85 mm		JD-H146480	41.83	
	AH144671	544744-		P-UB-14	85 mm	120 mm	JD-AH144594	462.92	
BOOM (RH)	AH144671	544744-		Bushing	85 mm		JD-H146480	41.83	
	AH140589	-544743		P-UB-14	85 mm	120 mm	JD-AH144594	462.92	
	AH140589	-544743		Bushing	85 mm		JD-H146480	41.83	
BUCKET	AH144674	544744-		P-UB-14	85 mm	120 mm	JD-AH144594	462.92	
	AH144674	544744-		Bushing	85 mm		JD-H146480	41.83	
	AH142409	538667-544273		P-UB-14	75 mm	110 mm	JD-AH144593	432.18	
	AH142409	-538666		P-UB-14	75 mm	110 mm	JD-AH144593	432.18	
	AH142409	-538666		Bushing	75 mm		JD-H146479	32.68	
	AH142409	538667-544273		Bushing	75 mm		JD-H146479	32.68	
	AH144595	544274-544696		Bushing	75 mm		JD-H146479	32.68	
	AH162295	544697-		P-UB-14	75 mm	110 mm	JD-AH144593	432.18	
BUCKET (SLF)	AH162295	544274-544696		P-UB-14	75 mm	110 mm	JD-AH144593	432.18	
	AH162295	544697-		Bushing	75 mm		JD-H146479	32.68	
	AT159611	All		P-UB-10	65 mm	95 mm	JD-AT176737	242.34	
	AT159611	All		Bushing	65 mm		JD-TH109372	26.16	
MODEL 790E LC	AT159611	All		Wear Ring		95 mm	JD-TH109377	12.24	
	AT159611	All		Wear Ring		95 mm	JD-TH109378	42.35	
	ARM	AT154865	-HJ900100		P-UB-14	100 mm	135 mm	JD-AT154868	230.67
		AT154865	HJ900101-		P-UB-14	100 mm	135 mm	JD-AT183658	242.34
		AT154865	HJ900101-		Bushing	100 mm		JD-AT131414	62.79
		AT154865	-HJ900100		Bushing	100 mm		JD-AT131414	62.79
		AT154865	HJ900101-		Wear Ring		135 mm	JD-AT154718	23.42
		AT154865	-HJ900100		Wear Ring		135 mm	JD-AT154718	23.42
		AT154865	HJ900101-		Wear Ring		135 mm	JD-TH110033	66.74
		AT154865	-HJ900100		Wear Ring		135 mm	JD-TH110033	66.74
	ARM (SLF)	AT161589	All		P-UB-14	105 mm	145 mm	JD-AT176734	357.73
AT161589		All		Bushing	105 mm		JD-AT161596	53.57	
AT161589		All		Wear Ring		145 mm	JD-AT161607	20.60	
AT161589		All		Wear Ring		145 mm	JD-AT161608	90.75	
BOOM (LH)	AT154864	All		P-UB-14	90 mm	125 mm	JD-AT154867	263.70	
	AT154864	All		Bushing	90 mm		JD-AT154779	40.34	
	AT154864	All		Wear Ring		125 mm	JD-AT154735	17.02	
	AT154864	All		Wear Ring		125 mm	JD-AT154700	61.48	
BOOM (RH)	AT154864	All		P-UB-14	90 mm	125 mm	JD-AT154867	263.70	
	AT154864	All		Bushing	90 mm		JD-AT154779	40.34	
	AT154864	All		Wear Ring		125 mm	JD-AT154735	17.02	
	AT154864	All		Wear Ring		125 mm	JD-AT154700	61.48	
BUCKET	AT182459	All		P-UB-14	85 mm	125 mm	JD-AT181250	185.76	
	AT182459	All		Bushing	85 mm		JD-AT154778	41.83	
	AT182459	All		Wear Ring		125 mm	JD-AT154700	61.48	
	AT182459	All		Wear Ring		125 mm	JD-AT154735	17.02	
BUCKET (SLF)	AT159611	All		P-UB-10	65 mm	95 mm	JD-AT176737	242.34	
	AT159611	All		Bushing	65 mm		JD-TH109372	26.16	
	AT159611	All		Wear Ring		95 mm	JD-TH109378	42.35	

LA - Long Arm LGP - Low Ground Pressure LT - Long Track MFWD - Mechanical Front Wheel Drive MP - Multi-Purpose
 IDM - Inside Dozer Mount ODM - Outside Dozer Mount SLF - Super Long Front STD - Straight Dozer WT - Wide Track

FORMERLY LISTED REPAIR PARTS ARE AVAILABLE ONLINE AT WWW.HERCULESUS.COM
 OR BY CONTACTING YOUR REGIONAL HERCULES SALES TEAM.

Replacement Kits For

JOHN DEERE®

Excavators								
APPLICATION	CYL #	SERIAL #	Misc	CODE	ROD	BORE	KIT #	List \$
MODEL 790E LC								
BUCKET (SLF)	AT159611	All		Wear Ring		95 mm	JD-TH109377	12.24
MODEL 792D, 792D LC								
ARM	AT205924	All		P-UB-14	105 mm	150 mm	JD-TH111854	361.28
	AT205924	All		Wear Ring		150 mm	JD-TH111846	28.03
	AT205924	All		Wear Ring		150 mm	JD-TH111845	76.51
BOOM	AT205923	All		P-UB-14	95 mm	145 mm	JD-TH111625	340.17
	AT205923	All		Bushing	95 mm		JD-AT131420	53.46
	AT205923	All		Wear Ring		145 mm	JD-AT159585	21.82
	AT205923	All		Wear Ring		145 mm	JD-TH110062	73.01
BUCKET	AT205925	803513-		P-UB-14	95 mm	145 mm	JD-AT181792	209.84
	AT205925	-803512		P-UB-14	95 mm	145 mm	JD-TH111625	340.17
	AT205925	All		Bushing	95 mm		JD-AT131420	53.46
	AT205925	All		Wear Ring		145 mm	JD-AT159585	21.82
	AT205925	All		Wear Ring		145 mm	JD-TH110062	73.01
MODEL 892D, 892D LC								
ARM	AT131416	703550-		P-UB-14	110 mm	165 mm	JD-AT181799	301.94
	AT131416	-703549		P-UB-14	110 mm	165 mm	JD-TH111627	402.43
	AT131416	All		Bushing	110 mm		JD-AT131417	101.84
	AT131416	All		Wear Ring		165 mm	JD-TH111273	31.93
	AT131416	All		Wear Ring		165 mm	JD-TH111274	154.68
	TH111616	703550-		P-UB-14	110 mm	165 mm	JD-AT181799	301.94
	TH111616	-703549		P-UB-14	110 mm	165 mm	JD-TH111627	402.43
	TH111616	All		Bushing	110 mm		JD-AT131417	101.84
	TH111616	All		Wear Ring		165 mm	JD-TH111274	154.68
	TH111616	All		Wear Ring		165 mm	JD-TH111273	31.93
ARM (SLF)	AT130835	All		P-UB-14	105 mm	150 mm	JD-TH111854	361.28
	AT130835	All		Wear Ring		150 mm	JD-TH111845	76.51
	AT130835	All		Wear Ring		150 mm	JD-TH111846	28.03
BOOM (LH)	AT131413	603427-		P-UB-14	100 mm	145 mm	JD-AT181794	248.16
	AT131413	-603426		P-UB-14	100 mm	145 mm	JD-TH111626	342.98
	AT131413	All		Bushing	100 mm		JD-AT131414	62.79
	AT131413	All		Wear Ring		145 mm	JD-TH110063	27.14
	AT131413	All		Wear Ring		145 mm	JD-TH110062	73.01
BOOM (RH)	AT131413	503425-		P-UB-14	100 mm	145 mm	JD-AT181794	248.16
	AT131413	-503424		P-UB-14	100 mm	145 mm	JD-TH111626	342.98
	AT131413	All		Bushing	100 mm		JD-AT131414	62.79
	AT131413	All		Wear Ring		145 mm	JD-TH110063	27.14
	AT131413	All		Wear Ring		145 mm	JD-TH110062	73.01
BUCKET	AT182455	803513-		P-UB-14	95 mm	145 mm	JD-AT181792	209.84
	AT182455	-803512		P-UB-14	95 mm	145 mm	JD-TH111625	340.17
	AT182455	All		Bushing	95 mm		JD-AT131420	53.46
	AT182455	All		Wear Ring		145 mm	JD-TH110063	27.14
	AT182455	All		Wear Ring		145 mm	JD-TH110062	73.01
BUCKET (SLF)	AT86766	All		Wear Ring		100 mm	JD-TH111727	13.64
	AT86766	All		Wear Ring		100 mm	JD-TH111728	81.30
MODEL 892E, 892E LC								
ARM			892E LC	P-UB-14	110 mm	165 mm	JD-AT196472	388.49
	AT201181	703550-		P-UB-14	110 mm	165 mm	JD-AT181799	301.94
	AT201181	-703549		P-UB-14	110 mm	165 mm	JD-AT201184	377.58
	AT201181	All		Bushing	110 mm		JD-AT131417	101.84
	AT201181	All		Wear Ring		165 mm	JD-TH111274	154.68
	AT201181	All		Wear Ring		165 mm	JD-TH111273	31.93
BOOM (LH)			892E LC	P-UB-14	100 mm	145 mm	JD-AT196475	328.95
	AT201180	603427-		P-UB-14	100 mm	145 mm	JD-AT181794	248.16
	AT201180	-603426		P-UB-14	100 mm	145 mm	JD-TH111626	342.98

LA - Long Arm LGP - Low Ground Pressure LT - Long Track MFWD - Mechanical Front Wheel Drive MP - Multi-Purpose
 IDM - Inside Dozer Mount ODM - Outside Dozer Mount SLF - Super Long Front STD - Straight Dozer WT - Wide Track

Replacement Kits For

JOHN DEERE®

Excavators								
APPLICATION	CYL #	SERIAL #	Misc	CODE	ROD	BORE	KIT #	List \$
MODEL 892E, 892E LC								
BOOM (LH)	AT201180	All		Bushing	100 mm		JD-AT131414	62.79
	AT201180	All		Wear Ring		145 mm	JD-TH110063	27.14
	AT201180	All		Wear Ring		145 mm	JD-TH110062	73.01
BOOM (RH)			892E LC	P-UB-14	100 mm	145 mm	JD-AT196475	328.95
	AT201180	503425-		P-UB-14	100 mm	145 mm	JD-AT181794	248.16
	AT201180	-503424		P-UB-14	100 mm	145 mm	JD-TH111626	342.98
	AT201180	All		Bushing	100 mm		JD-AT131414	62.79
	AT201180	All		Wear Ring		145 mm	JD-TH110063	27.14
	AT201180	All		Wear Ring		145 mm	JD-TH110062	73.01
BUCKET			892E LC	P-UB-14	95 mm	145 mm	JD-AT264430	432.01
		-803512	Incl Bushing & Wear Rings	P-UB-14	95 mm	145 mm	JD-AT196473	346.40
	AT182461	-803512		P-UB-14	95 mm	145 mm	JD-AT201185	365.61
	AT182461	803513-		P-UB-14	95 mm	145 mm	JD-AT181792	209.84
	AT182461	All		Bushing	95 mm		JD-AT131420	53.46
	AT182461	All		Wear Ring		145 mm	JD-TH110063	27.14
	AT182461	All		Wear Ring		145 mm	JD-TH110062	73.01
	AT201182	803513-		P-UB-14	95 mm	145 mm	JD-AT181792	209.84
	AT201182	-803512		P-UB-14	95 mm	145 mm	JD-AT201185	365.61
	AT201182	All		Bushing	95 mm		JD-AT131420	53.46
	AT201182	All		Wear Ring		145 mm	JD-TH110063	27.14
	AT201182	All		Wear Ring		145 mm	JD-TH110062	73.01
	AT168750	011000-		P-UB-10	65 mm	100 mm	JD-AT168764	214.14
	AT168750	011000-		Bushing	65 mm		JD-TH109372	26.16
AT168750	011000-		Wear Ring		100 mm	JD-TH111727	13.64	
AT168750	011000-		Wear Ring		100 mm	JD-TH111728	81.30	
MODEL 992D, 992D LC								
ARM	AT131955	All		P-UB-10	130 mm	190 mm	JD-AT132412	416.86
	AT131955	All		Wear Ring		190 mm	JD-AT132186	33.15
	AT131955	All		Wear Ring		190 mm	JD-AT132170	99.72
	AT132310			P-UB-10	130 mm	190 mm	JD-AT132412	416.86
BOOM	AT131954	All		P-UB-10	115 mm	170 mm	JD-AT132411	389.24
	AT131954	All		Bushing	115 mm		JD-AT132287	20.38
	AT131954	All		Wear Ring		170 mm	JD-AT132175	95.89
	AT131954	All		Wear Ring		170 mm	JD-AT132291	23.06
	AT132280	5222		P-UB-10	115 mm	170 mm	JD-AT132411	389.24
BUCKET 2.9M, 3.9M ARM	AT132280	5222		P-UB-10	115 mm	170 mm	JD-AT132411	389.24
	AT182457	All		P-UB-10	115 mm	170 mm	JD-AT132411	389.24
	AT182457	All		Bushing	115 mm		JD-AT132287	20.38
	AT182457	All		Wear Ring		170 mm	JD-AT132175	95.89
BUCKET 4.9M ARM	AT182457	All		Wear Ring		170 mm	JD-AT132291	23.06
	AT182455	All		P-UB-14	95 mm	145 mm	JD-AT181792	209.84
	AT182455	All		P-UB-14	95 mm	145 mm	JD-TH111625	340.17
	AT182455	All		Bushing	95 mm		JD-AT131420	53.46
	AT182455	All		Wear Ring		145 mm	JD-TH110062	73.01
AT182455	All		Wear Ring		145 mm	JD-TH110063	27.14	
MODEL 992E, 992E LC								
BUCKET 4.9M ARM	AT182461	803513-		P-UB-14	95 mm	145 mm	JD-AT181792	209.84
	AT182461	-803512		P-UB-14	95 mm	145 mm	JD-AT201185	365.61
	AT182461	All		Bushing	95 mm		JD-AT131420	53.46
	AT182461	All		Wear Ring		145 mm	JD-TH110062	73.01
	AT182461	All		Wear Ring		145 mm	JD-TH110063	27.14

JOHN DEERE®

LA - Long Arm LGP - Low Ground Pressure LT - Long Track MFWD - Mechanical Front Wheel Drive MP - Multi-Purpose
 IDM - Inside Dozer Mount ODM - Outside Dozer Mount SLF - Super Long Front STD - Straight Dozer WT - Wide Track

FORMERLY LISTED REPAIR PARTS ARE AVAILABLE ONLINE AT WWW.HERCULESUS.COM
 OR BY CONTACTING YOUR REGIONAL HERCULES SALES TEAM.

Replacement Kits For

JOHN DEERE®

Excavators - Compact								
APPLICATION	CYL #	SERIAL #	Misc	CODE	ROD	BORE	KIT #	List \$
MODEL 17D								
ARM	4664347G	-221801		P-U-10	35 mm	60 mm	JD-4667617	67.79
	4664347G	-221801		Bushing	35 mm		JD-1153804	10.99
	FYD00005853G	221802-		P-U-10	35 mm	60 mm	JD-FYD00003882	43.55
	FYD00005853G	221802-		Bushing	35 mm		JD-FXB00004926	9.90
BLADE	4655101	-221801		P-U-10	35 mm	65 mm	JD-4667620	57.15
	FXB00004965	221802-		Bushing	35 mm		JD-FXB00004926	9.90
	FYD00005856	221802-		P-U-10	35 mm	65 mm	JD-FYD00003886	41.69
BOOM	4655097G	-221801		P-U-10	35 mm	60 mm	JD-4667615	63.98
	FXB00004923G	221802-		Bushing	35 mm		JD-FXB00004926	9.90
	FYD00005851G	221802-		P-U-10	35 mm	60 mm	JD-FYD00003878	33.75
BUCKET	4655099G	-221801		P-U-10	30 mm	55 mm	JD-4667454	69.31
	FYD00005854G	221802-		P-U-10	30 mm	55 mm	JD-FYD00003884	48.17
	FYD00005854G	221802-		Bushing	30 mm		JD-FXB00004950	8.93
SPAN	4655102			P-U-10	30 mm	50 mm	JD-4667621	67.37
	4655102			Bushing	30 mm		JD-1157904	10.57
	FYD00005857			P-U-10	30 mm	50 mm	JD-FYD00003887	56.40
	FYD00005857			Bushing	30 mm		JD-FXB00004950	8.93
SWING	4655100			P-U-10	30 mm	60 mm	JD-4667619	68.69
	4655100			Bushing	30 mm		JD-1118311	8.29
MODEL 17G								
ARM	FYD00006509			P-U-10	30 mm	55 mm	JD-FYD00003884	48.17
	FYD00006509			Bushing	30 mm		JD-FXB00004950	8.93
BLADE	FYD00006512			P-U-10	35 mm	65 mm	JD-FYD00003886	41.69
	FYD00006512			Bushing	35 mm		JD-FXB00004926	9.90
BOOM	FYD00006508			P-U-10	35 mm	60 mm	JD-FYD00003878	33.75
	FYD00006508			Bushing	35 mm		JD-FXB00004926	9.90
BUCKET	FYD00006510			P-U-10	30 mm	55 mm	JD-FYD00003884	48.17
	FYD00006510			Bushing	30 mm		JD-FXB00004950	8.93
SPAN	FYD00005857			P-U-10	30 mm	50 mm	JD-FYD00003887	56.40
	FYD00005857			Bushing	30 mm		JD-FXB00004950	8.93
SWING	FYD00006511			P-U-10	30 mm	60 mm	JD-FYD00003885	65.96
	FYD00006511			Bushing	30 mm		JD-FXB00004950	8.93
THUMB	AH218285			I-U-1	25 mm		JD-AHC15628	20.46
	AH218285			N-N-10		50 mm	JD-AH167552	8.87
MODEL 26G								
ARM	FYD00006791			P-U-10	40 mm	65 mm	JD-4614058	163.90
	FYD00006791			Bushing	40 mm		JD-1153502	11.24
BLADE	FYD00006794			P-U-10	45 mm	75 mm	JD-4704455	82.92
	FYD00006794			Bushing	45 mm		JD-0891518	20.75
BOOM (Cab)	FYD00006790			P-U-10	45 mm	75 mm	JD-4634034	127.55
	FYD00006790			Bushing	45 mm		JD-0891518	20.75
BOOM (Canopy)	FYD00006789			P-U-10	45 mm	75 mm	JD-4634034	127.55
	FYD00006789			Bushing	45 mm		JD-0891518	20.75
BUCKET	4643503G			P-U-10	35 mm	55 mm	JD-4652138	87.39
	4643503G			Bushing	35 mm		JD-1153804	10.99
SWING	FYD00006793			P-U-10	40 mm	75 mm	JD-4652139	85.98

LA - Long Arm LGP - Low Ground Pressure LT - Long Track MFWD - Mechanical Front Wheel Drive MP - Multi-Purpose
 IDM - Inside Dozer Mount ODM - Outside Dozer Mount SLF - Super Long Front STD - Straight Dozer WT - Wide Track

Replacement Kits For

JOHN DEERE®

Excavators - Compact								
APPLICATION	CYL #	SERIAL #	Misc	CODE	ROD	BORE	KIT #	List \$
MODEL 26G								
SWING	FYD00006793			Bushing	40 mm		JD-1153502	11.24
THUMB	AH216639			I-U-1	25 mm		JD-AHC15628	20.46
	AH216639			N-N-10		50 mm	JD-AH167552	8.87
	AH216639			Piston		50 mm	JD-AH138200	138.48
MODEL 27 ZTS								
ARM				P-U-10	40 mm	70 mm	JD-TH0744010	68.33
BLADE				P-U-10	45 mm	85 mm	JD-TH0729006	102.36
BUCKET				P-U-10	35 mm	60 mm	JD-0744105	99.19
BUCKET CLAMP	AH216639			P-U-10	1	2	JD-AT191403	145.53
MODEL 27C ZTS								
ARM	4472578			P-U-10	40 mm	70 mm	JD-TH0744010	68.33
BLADE	4472581			P-U-10	45 mm	85 mm	JD-TH0729006	102.36
BOOM	4472577			P-U-10	40 mm	75 mm	JD-TH0743805	110.87
BUCKET	4472579			P-U-10	35 mm	60 mm	JD-0744105	99.19
BUCKET CLAMP	AH216639			P-U-10	1	2	JD-AT191403	145.53
SWING	4472580			P-U-10	40 mm	75 mm	JD-0847204	109.93
MODEL 27D								
ARM	4643502G			P-U-10	40 mm	65 mm	JD-4652137	75.34
BLADE	0988301	-224003		P-U-14	45 mm	80 mm	JD-4652458	62.46
	4655418			P-U-10	45 mm	80 mm	JD-4656428	82.74
	4655418	224004-		P-U-10	45 mm	80 mm	JD-4656428	82.74
BOOM	4643500G			P-U-10	45 mm	75 mm	JD-4634034	127.55
	4643501G			P-U-10	45 mm	75 mm	JD-4634034	127.55
BUCKET	4643503G			P-U-10	35 mm	55 mm	JD-4652138	87.39
BUCKET CLAMP	AH216639			N-N-10		50 mm	JD-AH167552	8.87
	AH216639			I-U-10	25 mm	50 mm	JD-AH158827	45.59
SWING	4643504			P-U-10	40 mm	75 mm	JD-4652139	85.98
MODEL 35 ZTS								
ARM	9184958			P-U-10	45 mm	75 mm	JD-0744408	229.28
BLADE LIFT	9184976			P-U-10	50 mm	95 mm	JD-0745308	153.74
BOOM	9184960			P-U-10	50 mm	80 mm	JD-0656714	163.98
BUCKET	9178101			P-U-10	40 mm	65 mm	JD-0744707	172.87
BUCKET CLAMP	AH216639			P-U-10	1	2	JD-AT191403	145.53
SWING	9179219			P-U-10	45 mm	85 mm	JD-0744808	150.20
MODEL 35C ZTS								
ARM	4472590			P-U-10	45 mm	75 mm	JD-0849304	121.19
BLADE LIFT	4472591			P-U-10	50 mm	95 mm	JD-0745308	153.74
BOOM	4467672			P-U-10	45 mm	80 mm	JD-0850309	127.58
BUCKET	4472585			P-U-10	40 mm	60 mm	JD-0849503	101.71
BUCKET CLAMP	AH216639			P-U-10	1	2	JD-AT191403	145.53
SWING	4472586			P-U-10	45 mm	85 mm	JD-TH0729006	102.36
MODEL 35D								
ARM	4632807G			P-U-10	45 mm	75 mm	JD-4634034	127.55
BLADE	4617784			P-U-14	45 mm	95 mm	JD-4622066	186.76
BOOM	4632806G			P-U-10	50 mm	85 mm	JD-4634033	139.05
BUCKET	4608466G			P-U-10	40 mm	65 mm	JD-4614058	163.90
SWING	4608470			P-U-10	45 mm	85 mm	JD-4614059	165.02
MODEL 35G								
ARM	FYD00000372G			P-U-10	45 mm	75 mm	JD-4704455	82.92
	FYD00000372G			Bushing	45 mm		JD-0891518	20.75
BLADE	4617784			P-U-14	45 mm	95 mm	JD-4622066	186.76
	4617784			Bushing	45 mm		JD-0920515	15.43
	4719644			P-U-10	50 mm	95 mm	JD-FYD00005420	105.95
	4719644			Bushing	50 mm		JD-0948703	15.61
BLADE (Angle)	4709308			P-U-10	35 mm	60 mm	JD-4667617	67.79

LA - Long Arm LGP - Low Ground Pressure LT - Long Track MFWD - Mechanical Front Wheel Drive MP - Multi-Purpose
 IDM - Inside Dozer Mount ODM - Outside Dozer Mount SLF - Super Long Front STD - Straight Dozer WT - Wide Track

FORMERLY LISTED REPAIR PARTS ARE AVAILABLE ONLINE AT WWW.HERCULESUS.COM
 OR BY CONTACTING YOUR REGIONAL HERCULES SALES TEAM.

JOHN DEERE®

Replacement Kits For

JOHN DEERE®

Excavators - Compact								
APPLICATION	CYL #	SERIAL #	Misc	CODE	ROD	BORE	KIT #	List \$
MODEL 35G								
BLADE (Angle)	4709308			Bushing	35 mm		JD-1153804	10.99
BOOM (Cab)	FYD00000371G			P-U-10	50 mm	85 mm	JD-4634033	139.05
	FYD00000371G			Bushing	50 mm		JD-0948703	15.61
BOOM (Canopy)	FYD00000370G			P-U-10	50 mm	85 mm	JD-4634033	139.05
	FYD00000370G			Bushing	50 mm		JD-0948703	15.61
BOOM (Swing)	FYD00000369			P-U-10	45 mm	85 mm	JD-4614059	165.02
	FYD00000369			Bushing	45 mm		JD-0891518	20.75
BUCKET	FYD00000368G			P-U-10	40 mm	65 mm	JD-FYD00005421	62.40
	FYD00000368G			Bushing	40 mm		JD-0797604	13.20
MODEL 50 ZTS								
ARM	4468846			P-U-10	50 mm	80 mm	JD-0843613	143.06
	9171446, AT251618			P-U-10	50 mm	80 mm	JD-0656714	163.98
BLADE TILT	AT191390			P-V-10	1-1/2	3	JD-AT191391	115.96
BOOM	9171448			P-U-10	55 mm	95 mm	JD-0735309	167.93
BUCKET	9171447			P-U-10	45 mm	75 mm	JD-0735609	203.73
BUCKET CLAMP	AH216808			P-UB-10	1-1/4	2	JD-AT260416	172.01
SWING	4463353			P-U-10	50 mm	100 mm	JD-0656604	287.22
MODEL 50C ZTS								
ARM	4468846			P-U-10	50 mm	80 mm	JD-0843613	143.06
BLADE LIFT	4468880			P-U-10	55 mm	100 mm	JD-0843907	122.77
BLADE TILT	AT191390			P-V-10	1-1/2	3	JD-AT191391	115.96
BOOM				P-U-10	55 mm	95 mm	JD-0844807	153.12
BUCKET	4468847			P-U-10	45 mm	75 mm	JD-0844705	90.14
BUCKET CLAMP	AH216808			P-UB-10	1-1/4	2	JD-AT260416	172.01
SWING	4463353			P-U-10	50 mm	100 mm	JD-0843808	99.22
MODEL 50D								
ARM	4632813G			P-U-10	50 mm	80 mm	JD-4634036	130.37
	4632813G	- 275292		P-U-10	50 mm	80 mm	JD-4634036	130.37
BLADE	4618628	- 275344		P-U-14	50 mm	105 mm	JD-4622067	163.82
	4618628			P-U-14	50 mm	105 mm	JD-4622067	163.82
	4718115	275344 - 275860		P-U-10	50 mm	105 mm	JD-FYD00000075	75.31
BOOM				P-UB-10	55 mm	95 mm	JD-FYD00000071	87.14
		275297 -		P-UB-10	55 mm	95 mm	JD-FYD00000071	87.14
				P-U-10	55 mm	95 mm	JD-4634038	65.02
	4655763G			P-U-10	55 mm	95 mm	JD-4634038	65.02
BOOM SWING	4679054	- 275356		P-U-14	50 mm	90 mm	JD-4705345	82.04
	4705267	- 275356		P-U-14	50 mm	90 mm	JD-4705345	82.04
BUCKET	4628947G			P-U-10	45 mm	75 mm	JD-4614069	107.42
	4628947G	- 275287		P-U-10	45 mm	75 mm	JD-4614069	107.42
	4718113G	275288 -		P-U-10	45 mm	75 mm	JD-FYD00000073	94.18
BUCKET CLAMP				P-UB-10	1-1/4	2	JD-AT260416	172.01
	AH216808			P-UB-10	1-1/4	2	JD-AT260416	172.01
SWING	4679054	- 275356		P-U-14	50 mm	90 mm	JD-4705345	82.04
	4705267	- 275356		P-U-14	50 mm	90 mm	JD-4705345	82.04
MODEL 50G								
ARM	4718112G			P-UB-10	50 mm	80 mm	JD-FYD00000072	109.58
BLADE (Angle)	4695625			P-U-10	40 mm	65 mm	JD-4614058	163.90
	4695625			Bushing	40 mm		JD-1153502	11.24
BLADE (Lift)	FYD00008635			P-U-10	50 mm	105 mm	JD-FYD00000075	75.31

LA - Long Arm LGP - Low Ground Pressure LT - Long Track MFWD - Mechanical Front Wheel Drive MP - Multi-Purpose
 IDM - Inside Dozer Mount ODM - Outside Dozer Mount SLF - Super Long Front STD - Straight Dozer WT - Wide Track

Replacement Kits For

JOHN DEERE®

Excavators - Compact								
APPLICATION	CYL #	SERIAL #	Misc	CODE	ROD	BORE	KIT #	List \$
MODEL 50G								
BLADE (Lift)	FYD00008635			Bushing	50 mm		JD-FXB00003979	18.73
BOOM	4720214G			P-UB-10	55 mm	95 mm	JD-FYD00000071	87.14
	4720214G			Bushing	55 mm		JD-FXB00001022	22.11
BOOM (Swing)	4720215			P-U-10	50 mm	90 mm	JD-FYD00000074	91.46
BUCKET	4718113G			P-U-10	45 mm	75 mm	JD-FYD00000073	94.18
	4718113G			Bushing	45 mm		JD-FXB00000616	20.25
BUCKET (Clamp)	AH216808			I-U-10	32 mm	50 mm	JD-AH215765	56.43
	AH216808			N-N-10		50 mm	JD-AH167552	8.87
MODEL 60D								
ARM		280348-		P-UB-10	55 mm	90 mm	JD-FYD00000086	436.65
		280348-		Bushing	55 mm		JD-FYD00000040	22.11
		4671379	-280347	P-U-10	55 mm	90 mm	JD-4687560	203.08
		4671379	-280347	P-U-10	55 mm	90 mm	JD-4687560-EX	214.06
		4671379	-280347	Bushing	55 mm		JD-1187203	16.53
		4671379	-280347	Wear Ring		90 mm	JD-1187206	8.01
BLADE	4679703			P-U-14	70 mm	120 mm	JD-4687562	293.85
	4679703			Bushing	70 mm		JD-4633389	27.17
BLADE ANGLE	FYD00002783			P-U-10	40 mm	70 mm	JD-4614062	74.79
	FYD00002783			Bushing	40 mm		JD-1153502	11.24
BOOM		280348-		P-UB-10	60 mm	110 mm	JD-FYD00000085	463.64
		280348-		Bushing	60 mm		JD-FYD00000021	22.48
		4671378G	-280347	P-U-10	60 mm	110 mm	JD-4687559	235.39
		4671378G	-280347	P-U-10	60 mm	110 mm	JD-4687559-EX	264.32
		4671378G	-280347	Bushing	60 mm		JD-0994204	22.48
		4671378G	-280347	Wear Ring		110 mm	JD-1119106	8.71
BOOM SWING	4679702			P-U-10	55 mm	95 mm	JD-4687561	177.24
	4679702			P-U-10	55 mm	95 mm	JD-4687561-EX	216.67
	4679702			Bushing	55 mm		JD-0894204	16.53
	4679702			Wear Ring		95 mm	JD-1183502	8.01
BUCKET	4671380G	-280347		P-U-10	50 mm	80 mm	JD-4652380	115.50
	4671380G	-280347		P-U-10	50 mm	80 mm	JD-4652380-EX	147.19
	4671380G	-280347		Bushing	50 mm		JD-0854104	15.61
	4671380G	-280347		Wear Ring		80 mm	JD-1187301	8.01
	4713135	280348-		P-UB-10	50 mm	80 mm	JD-FYD00000087	401.21
	4713135	280348-		Bushing	50 mm		JD-FYD00000053	18.73
BUCKET CLAMP	AH216808			I-U-10	32 mm	50 mm	JD-AH215765	56.43
MODEL 60G								
ARM	4713134G			P-UB-10	55 mm	90 mm	JD-FYD00000086	436.65
	4713134G			Bushing	55 mm		JD-FYD00000040	22.11
BLADE	FYD00001297			P-UB-14	70 mm	120 mm	JD-FYD00003245	144.13
	FYD00001297			Bushing	70 mm		JD-FXB00004761	35.57
BLADE (Angle)	FYD00007470	285000-285695		P-U-10	40 mm	70 mm	JD-4614062	74.79
	FYD00007470	285696-		P-U-14	40 mm	70 mm	JD-FYD00009136	53.18
	FYD00007470			Bushing	40 mm		JD-FXB00010512	11.24
	FYD00007470	285000-285695		Bushing	40 mm		JD-1153502	11.24

LA - Long Arm LGP - Low Ground Pressure LT - Long Track MFWD - Mechanical Front Wheel Drive MP - Multi-Purpose
 IDM - Inside Dozer Mount ODM - Outside Dozer Mount SLF - Super Long Front STD - Straight Dozer WT - Wide Track

FORMERLY LISTED REPAIR PARTS ARE AVAILABLE ONLINE AT WWW.HERCULESUS.COM
 OR BY CONTACTING YOUR REGIONAL HERCULES SALES TEAM.

JOHN DEERE®

Replacement Kits For

JOHN DEERE®

Excavators - Compact								
APPLICATION	CYL #	SERIAL #	Misc	CODE	ROD	BORE	KIT #	List \$
MODEL 60G								
BLADE (Angle)	FYD00007470;F XB00002158	285000-285695		Bushing	40 mm		JD-1153502	11.24
BOOM	FYD00001247G			P-UB-10	60 mm	110 mm	JD- FYD00000085	463.64
	FYD00001247G			Bushing	60 mm		JD- FYD00000021	22.48
BOOM (Swing)	FYD00001296			P-UB-10	55 mm	95 mm	JD- FYD00003234	129.93
	FYD00001296			Bushing	55 mm		JD- FYD00000040	22.11
BUCKET	FYD00001161G			P-UB-10	50 mm	80 mm	JD- FYD00000087	401.21
	FYD00001161G			Bushing	50 mm		JD- FYD00000053	18.73
BUCKET (Clamp)	AH216808			I-U-10	32 mm	50 mm	JD-AH215765	56.43
	AH216808			N-N-10		50 mm	JD-AH167552	8.87
MODEL 75C								
ARM	9197150			P-UB-10	60 mm	95 mm	JD-4464985	140.04
BOOM	9211074J			P-UB-10	65 mm	115 mm	JD-4464984	175.70
BUCKET	9197151			P-UB-10	55 mm	85 mm	JD-4464986	134.00
MODEL 75D								
ARM	9197150G			P-UB-10	60 mm	95 mm	JD-4464985	140.04
	9197150G			P-UB-10	60 mm	95 mm	JD-4464985-EX	195.07
	9197150G			Bushing	60 mm		JD-0826907	22.48
	9197150G			Wear Ring		95 mm	JD-H158170	8.01
BLADE	9246135			P-U-10	70 mm	120 mm	JD-4632462	302.51
	9246135			Bushing	70 mm		JD-4633389	27.17
BOOM	9197149G			P-UB-10	65 mm	115 mm	JD-4663491	292.32
	9197149G			P-UB-10	65 mm	115 mm	JD-4663491-EX	321.25
	9197149G			Bushing	65 mm		JD-AT264389	26.16
	9197149G			Wear Ring		115 mm	JD-H163432	12.50
BUCKET	9197151G			P-UB-10	55 mm	85 mm	JD-4464986	134.00
	9197151G			P-UB-10	55 mm	85 mm	JD-4464986-EX	221.36
	9197151G			Bushing	55 mm		JD-TH0827007	16.53
	9197151G			Wear Ring		85 mm	JD-0891615	33.01
MODEL 75G								
ARM	FYD00002217G			P-UB-10	60 mm	95 mm	JD- FYD00006230	106.66
	FYD00002217G			Bushing	60 mm		JD-1226705	22.48
BLADE	FYD00009289			P-U-10	70 mm	120 mm	JD-4632462	302.51
	FYD00009289			Bushing	70 mm		JD-4633389	27.17
BOOM	FYD00002216			P-UB-10	65 mm	115 mm	JD- FYD00006229	271.93
BUCKET	4718798G			P-UB-10	55 mm	85 mm	JD- FYD00000078	86.54
	4718798G			Bushing	55 mm		JD-FXB00001022	22.11
THUMB	AHC19379			P-UB-10	45 mm	70 mm	JD-SK100213	66.68
	AHC19379			Piston		70 mm	JD-AH165962	255.11
MODEL 80C								
ARM	9163825			P-UB-10	60 mm	95 mm	JD-4415584	167.83
	9197150			P-UB-10	60 mm	95 mm	JD-4464985	140.04
BLADE	9201173			P-UB-10	70 mm	120 mm	JD-4465736	156.34
BOOM	9197149			P-UB-10	65 mm	115 mm	JD-4464984	175.70
BUCKET	9197151			P-UB-10	55 mm	85 mm	JD-4464986	134.00

LA - Long Arm LGP - Low Ground Pressure LT - Long Track MFWD - Mechanical Front Wheel Drive MP - Multi-Purpose
 IDM - Inside Dozer Mount ODM - Outside Dozer Mount SLF - Super Long Front STD - Straight Dozer WT - Wide Track

Replacement Kits For

JOHN DEERE®

Forestry - Feller Bunchers									
APPLICATION	CYL #	SERIAL #	Misc	CODE	ROD	BORE	KIT #	List \$	
MODEL 743,743A Tree Harvesters									
AXLE STABILIZER		All		P-U-5	2	4-1/2	JD-AR105515	124.36	
DOZER LIFT		All		P-V-8	2	5	JD-RE18743	72.25	
		Field Replacement		P-V-1	2		JD-RE30817	42.96	
		Field Replacement		N-N-14		5	JD-RE15905	134.63	
FEED ROLL		All		P-V-8	1-1/4	2-1/2	JD-AR105453	47.45	
GRAPPLE		All		P-U-10	1-3/4	4	JD-AT55695	36.26	
LOG ACCUMULATOR		All		P-V-8	1-3/4	3	JD-RE18751	48.69	
MAIN LIFT		All		P-V-8	3-1/4	6-1/4	JD-RE18762	183.54	
SECONDARY LIFT		All		P-V-8	2-1/2	4-1/2	JD-RE18760	87.06	
SHEAR		All		P-U-12	2-1/2	6-1/2	JD-AR105280	191.86	
STEERING		All		I-U-10	4-1/4	4.40	JD-RE19224	63.76	
TILT		All		P-V-8	2-1/4	4-1/2	JD-AR105355	111.66	
Forestry - Track Feller Bunchers									
APPLICATION	CYL #	SERIAL #	Misc	CODE	ROD	BORE	KIT #	List \$	
MODEL 493D									
ARM	TH109346	All		P-UB-10	80 mm	115 mm	JD-TH109366	185.89	
BOOM	TH109307	All		P-UB-10	75 mm	105 mm	JD-TH109339	162.44	
BUCKET	TH109368	All		P-UB-10	65 mm	95 mm	JD-TH109390	168.61	
MODEL 653E									
ARM	AH142919			P-UB-14	85 mm	120 mm	JD-AH144594	462.92	
BOOM	AH142577			P-UB-14	85 mm	120 mm	JD-AH144594	462.92	
HEAD TILT	AH144660			P-UB-14	75 mm	110 mm	JD-AH144593	432.18	
MODEL 693B									
BOOM		-501444		P-V-8	2-3/4	5	JD-AR105309	113.96	
		501445-		P-V-1	2-3/4		JD-RE17342	84.13	
		501445-		N-N-14		5	JD-RE15905	134.63	
		RE21394	501445-		P-UB-1	2-3/4		JD-RE21395	168.98
		RE21394	501445-		N-N-14		5	JD-RE15905	134.63
CROWD		-501444		P-V-8	3-1/4	5-1/2	JD-AR105313	117.04	
		501445-		P-V-1	3-1/4		JD-RE15906	59.87	
		501445-		N-N-14		5-1/2	JD-RE15907	164.17	
MULTI-STEM		All		P-U-10	1-3/4	4	JD-AT55695	36.26	
SHEAR		All		P-U-12	2-1/2	6-1/2	JD-AR105280	191.86	
SHEAR TILT		All		P-V-8	2-1/4	4-1/2	JD-AR105355	111.66	
TILT		-501444		P-V-8	3-1/4	5-1/2	JD-AR105312	120.33	
		501445-		P-V-1	3-1/4		JD-RE15906	59.87	
		501445-		N-N-14		5-1/2	JD-RE14102	164.17	
		RE21400	501307-		P-UB-1	3-1/4		JD-RE21401	115.87
		RE21400	501307-		N-N-14		5-1/2	JD-RE14102	164.17
MODEL 693C									
BOOM		-509184		P-V-1	2-3/4		JD-RE17342	84.13	
		509185-		P-UB-1	2-3/4		JD-RE21395	168.98	
		-509184		N-N-14		5	JD-RE15905	134.63	
		509185-		N-N-14		5	JD-RE15905	134.63	
HEAD TILT		-509184		P-V-1	3-1/4		JD-RE15906	59.87	
		509185-		P-UB-1	3-1/4		JD-RE21401	115.87	
		-509184		N-N-14		5-1/2	JD-RE14102	164.17	
	509185-		N-N-14		5-1/2	JD-RE14102	164.17		
MODEL 693D									
ARM	AT112705	All		P-UB-10	85 mm	125 mm	JD-AT114822	206.13	
	AT112705	All		Bushing	85 mm		JD-T108019	41.83	
	AT112705	All		Wear Ring		125 mm	JD-T108024	15.98	
	AT112705	All		Wear Ring		125 mm	JD-TH104949	54.95	
BOOM	AT112705	All		P-UB-10	85 mm	125 mm	JD-AT114822	206.13	
	AT112705	All		Bushing	85 mm		JD-T108019	41.83	

LA - Long Arm LGP - Low Ground Pressure LT - Long Track MFWD - Mechanical Front Wheel Drive MP - Multi-Purpose
 IDM - Inside Dozer Mount ODM - Outside Dozer Mount SLF - Super Long Front STD - Straight Dozer WT - Wide Track

FORMERLY LISTED REPAIR PARTS ARE AVAILABLE ONLINE AT WWW.HERCULESUS.COM
 OR BY CONTACTING YOUR REGIONAL HERCULES SALES TEAM.

JOHN DEERE®

Replacement Kits For

JOHN DEERE®

Forestry - Track Feller Bunchers								
APPLICATION	CYL #	SERIAL #	Misc	CODE	ROD	BORE	KIT #	List \$
MODEL 693D								
BOOM	AT112705	All		Wear Ring		125 mm	JD-TH104949	54.95
	AT112705	All		Wear Ring		125 mm	JD-T108024	15.98
BUCKET	AT114838	All		P-UB-10	80 mm	120 mm	JD-AT114836	204.57
	AT182451	All		P-UB-10	80 mm	120 mm	JD-AT114836	204.57
	AT182451	All		Bushing	80 mm		JD-T108041	37.68
	AT182451	All		Wear Ring		120 mm	JD-TH104923	52.73
	AT182451	All		Wear Ring		120 mm	JD-T108046	13.46
MODEL 753J								
HOIST	AT371961			P-UB-12	3-1/2		JD-AT364597	216.33
	AT371961			N-N-14		6	JD-AT348039	128.73
STICK	AH224225			P-UB-10	95 mm	130 mm	JD-AH148453	464.94
TILT	AH229374			P-UB-10	95 mm	130 mm	JD-AH148453	464.94
WRIST	AHC10439			P-UB-1	50 mm		JD-AH210484	54.78
	AHC10439			N-N-14		100 mm	JD-AH212101	106.57
MODEL 793D								
ARM	AT131425	All		P-UB-14	90 mm	135 mm	JD-TH110035	254.92
	AT131425	All		Bushing	90 mm		JD-AT131422	51.52
	AT131425	All		Wear Ring		135 mm	JD-TH110033	66.74
	AT131425	All		Wear Ring		135 mm	JD-TH110034	18.55
BOOM	AT131425	All		P-UB-14	90 mm	135 mm	JD-TH110035	254.92
	AT131425	All		Bushing	90 mm		JD-AT131422	51.52
	AT131425	All		Wear Ring		135 mm	JD-TH110033	66.74
	AT131425	All		Wear Ring		135 mm	JD-TH110034	18.55
BUCKET	AT131430	All		P-UB-14	90 mm	135 mm	JD-TH110035	254.92
	AT131430	All		Bushing	90 mm		JD-AT131422	51.52
	AT131430	All		Wear Ring		135 mm	JD-TH110034	18.55
	AT131430	All		Wear Ring		135 mm	JD-TH110033	66.74
MODEL 803M								
ARM	AHC14771		6.71m reach	P-UB-10	95 mm	130 mm	JD-AH148453	464.94
	AHC14776		6.10m reach	P-UB-10	95 mm	130 mm	JD-AH148453	464.94
BOOM	AHC14772		6.71m reach	P-UB-10	85 mm	120 mm	JD-AH173457	386.78
	AHC14772	-288926	6.10m reach	P-UB-10	85 mm	120 mm	JD-AH173457	386.78
	AHC14773	288927-	6.10m reach	P-UB-10	95 mm	130 mm	JD-AH148453	464.94
ENCLOSURE	AH211051			I,P-UB-1	45 mm		JD-AHC11572	112.05
	AH211051			N-N-10		90 mm	JD-AHC22108	66.45
TILT	AHC14779	-341728	6.10m reach, 6.71m reach	P-UB-10	95 mm	130 mm	JD-AH148453	464.94
	AHC20575	341729-	6.10m reach, 6.71m reach	P-UB-10	95 mm	130 mm	JD-AH148453	464.94
	AHC20575	-341728	6.10m reach, 6.71m reach	P-UB-10	95 mm	130 mm	JD-AH148453	464.94
WRIST	AHC10440			P-UB-1	50 mm		JD-AHC16954	89.84
	AHC10440			N-N-10,14		100 mm	JD-AHC19978	92.68
MODEL 853								
				P-UB-14	75 mm	110 mm	JD-AH144593	432.18
				P-UB-14	85 mm	120 mm	JD-AH144594	462.92
MODEL 853M								
ARM	AHC14771		6.71m reach	P-UB-10	95 mm	130 mm	JD-AH148453	464.94
ARM (POWER BOOM)	AHC14775		5.18m reach	P-UB-10	95 mm	135 mm	JD-AH173444	294.54
	AHC14777		6.10m reach	P-UB-10	95 mm	135 mm	JD-AH173444	294.54
BOOM	AHC14772		6.71m reach	P-UB-10	85 mm	120 mm	JD-AH173457	386.78
BOOM (POWER BOOM)	AHC14773	-288926	6.71m reach	P-UB-10	95 mm	130 mm	JD-AH148453	464.94
	AHC14774	288927-	6.71m reach	P-UB-10	95 mm	135 mm	JD-AH173444	294.54
	AHC14774		6.10m reach	P-UB-10	95 mm	135 mm	JD-AH173444	294.54
ENCLOSURE	AH211051			I,P-UB-1	45 mm		JD-AHC11572	112.05
	AH211051			N-N-10		90 mm	JD-AHC22108	66.45

LA - Long Arm LGP - Low Ground Pressure LT - Long Track MFWD - Mechanical Front Wheel Drive MP - Multi-Purpose
 IDM - Inside Dozer Mount ODM - Outside Dozer Mount SLF - Super Long Front STD - Straight Dozer WT - Wide Track

Replacement Kits For

JOHN DEERE®

Forestry - Track Feller Bunchers								
APPLICATION	CYL #	SERIAL #	Misc	CODE	ROD	BORE	KIT #	List \$
MODEL 853M								
TILT	AHC14779	-341728	6.71m reach	P-UB-10	95 mm	130 mm	JD-AH148453	464.94
	AHC20575	-341728	6.71m reach	P-UB-10	95 mm	130 mm	JD-AH148453	464.94
	AHC20575	341729	6.71m reach	P-UB-10	95 mm	130 mm	JD-AH148453	464.94
TILT (POWER BOOM)	AHC14778	-341517	6.10m reach, 6.71m reach	P-UB-10	95 mm	135 mm	JD-AH173444	294.54
	AHC20580	341518	6.10m reach, 6.71m reach	P-UB-10	95 mm	135 mm	JD-AH173444	294.54
	AHC20580	-341517	6.10m reach, 6.71m reach	P-UB-10	95 mm	135 mm	JD-AH173444	294.54
Forestry - Tree Harvesters								
APPLICATION	CYL #	SERIAL #	Misc	CODE	ROD	BORE	KIT #	List \$
MODEL 803MH								
ARM	AHC14775		9.91m reach	P-UB-10	95 mm	135 mm	JD-AH173444	294.54
	AHC14777		7.75m reach	P-UB-10	95 mm	135 mm	JD-AH173444	294.54
	AHC14814		8.84m reach	P-UB-10	95 mm	135 mm	JD-AH173444	294.54
	AHC19945		7.75m reach	P-UB-10	95 mm	135 mm	JD-AH173444	294.54
BOOM	AHC14773		8.84m reach, 9.91m reach	P-UB-10	95 mm	130 mm	JD-AH148453	464.94
	AHC14774		7.75m reach	P-UB-10	95 mm	135 mm	JD-AH173444	294.54
ENCLOSURE	AH211051			N-N-10		90 mm	JD-AHC22108	66.45
	AH211051			I,P-UB-1	45 mm		JD-AHC11572	112.05
MODEL 853MH								
ARM	AHC14775		9.91m reach	P-UB-10	95 mm	135 mm	JD-AH173444	294.54
	AHC14777		7.75m reach	P-UB-10	95 mm	135 mm	JD-AH173444	294.54
	AHC14814		8.84m reach	P-UB-10	95 mm	135 mm	JD-AH173444	294.54
	AHC19945		7.75m reach	P-UB-10	95 mm	135 mm	JD-AH173444	294.54
BOOM	AHC14773		8.84m reach, 9.91m reach	P-UB-10	95 mm	130 mm	JD-AH148453	464.94
	AHC14774		7.75m reach	P-UB-10	95 mm	135 mm	JD-AH173444	294.54
ENCLOSURE	AH211051			N-N-10		90 mm	JD-AHC22108	66.45
	AH211051			I,P-UB-1	45 mm		JD-AHC11572	112.05
Forestry - Wheel Feller Bunchers								
APPLICATION	CYL #	SERIAL #	Misc	CODE	ROD	BORE	KIT #	List \$
MODEL 643K								
BOOM	AH216337			RK-P-UB-1	56 mm		JD-AHC16683	71.97
	AH216337			N-N-10,14		100 mm	JD-AHC19978	92.68
CAB TILT	AH216340			I-U-1	32 mm		JD-AH149817	31.79
	AH216340			N-N-10		63 mm	JD-AH161891	108.91
	AHC10202			I-U-1	32 mm		JD-AH149817	31.79
	AHC10202			N-N-10		63 mm	JD-AHC16682	22.18
FB20 SHEAR - 7"	AT161016			P-U-10	4	7	JD-AT161017	169.65
FB20 SHEAR ACCUMULATOR	AH163265			N-N-10		70 mm	JD-AH212090	16.52
	AH163265			N-N-10		70 mm	JD-AH212090	16.52
FB20 SHEAR CLAMP	AH162302			P-UB-1	50 mm		JD-AHC16954	89.84
	AH162302			N-N-10,14		90 mm	JD-AHC19979	81.82
	AH224687			P-UB-1	50 mm		JD-AHC16954	89.84
	AH224687			N-N-10,14		90 mm	JD-AHC19979	81.82
FD22B SAW CLAMP	AHC14073			RK-P-UB-1	56 mm		JD-AHC16683	71.97
	AHC14073			N-N-10,14		90 mm	JD-AHC19979	81.82
	AT435033			RK-P-UB-1	56 mm		JD-AHC16683	71.97
	AT435033			N-N-10,14		90 mm	JD-AHC19979	81.82
	F394673			RK-P-UB-1	56 mm		JD-AHC16683	71.97
	F394673			N-N-10,14		90 mm	JD-AHC19979	81.82
	F670104			RK-P-UB-1	56 mm		JD-AHC16683	71.97
	F670104			N-N-10,14		90 mm	JD-AHC19979	81.82

LA - Long Arm LGP - Low Ground Pressure LT - Long Track MFWD - Mechanical Front Wheel Drive MP - Multi-Purpose
 IDM - Inside Dozer Mount ODM - Outside Dozer Mount SLF - Super Long Front STD - Straight Dozer WT - Wide Track

FORMERLY LISTED REPAIR PARTS ARE AVAILABLE ONLINE AT WWW.HERCULESUS.COM
 OR BY CONTACTING YOUR REGIONAL HERCULES SALES TEAM.

Replacement Kits For

JOHN DEERE®

Forestry - Wheel Feller Bunchers

APPLICATION	CYL #	SERIAL #	Misc	CODE	ROD	BORE	KIT #	List \$
MODEL 643K								
FD45 SAW CLAMP	AH207434			P-UB-1	50 mm		JD-AHC16954	89.84
	AH207434			N-N-10,14		90 mm	JD-AHC19979	81.82
	AH214946			P-UB-1	50 mm		JD-AHC16954	89.84
	AH214946			N-N-10,14		90 mm	JD-AHC19979	81.82
	AH224698			P-UB-1	50 mm		JD-AHC16954	89.84
	AH224698			N-N-10,14		90 mm	JD-AHC19979	81.82
	AH230912			P-UB-1	50 mm		JD-AHC16954	89.84
	AH230912			N-N-10,14		90 mm	JD-AHC19979	81.82
	AH230914			P-UB-1	50 mm		JD-AHC16954	89.84
	AH230914			N-N-10,14		90 mm	JD-AHC19979	81.82
	F122543			P-UB-1	50 mm		JD-AHC16954	89.84
	F122543			N-N-10,14		90 mm	JD-AHC19979	81.82
STEERING	AH219492			I,P-UB-1	45 mm		JD-AHC11572	112.05
	AH219492			N-N-10,14		80 mm	JD-AHC20488	83.49
TILT	AHC10034			RK-P-UB-1	56 mm		JD-AHC16683	71.97
	AHC10034			N-N-14		100 mm	JD-AHC19515	75.18
MODEL 643L								
BOOM	AHC12785			RK-P-UB-1	56 mm		JD-AHC16683	71.97
	AHC12785			N-N-10,14		100 mm	JD-AHC19978	92.68
FD22B SAW CLAMP	AHC14073			RK-P-UB-1	56 mm		JD-AHC16683	71.97
	AHC14073			N-N-10,14		90 mm	JD-AHC19979	81.82
	AT435033			RK-P-UB-1	56 mm		JD-AHC16683	71.97
	AT435033			N-N-10,14		90 mm	JD-AHC19979	81.82
	F394673			RK-P-UB-1	56 mm		JD-AHC16683	71.97
	F394673			N-N-10,14		90 mm	JD-AHC19979	81.82
	F670104			RK-P-UB-1	56 mm		JD-AHC16683	71.97
	F670104			N-N-10,14		90 mm	JD-AHC19979	81.82
FD45 SAW CLAMP	AH207434			P-UB-1	50 mm		JD-AHC16954	89.84
	AH207434			N-N-10,14		90 mm	JD-AHC19979	81.82
	AH214946			P-UB-1	50 mm		JD-AHC16954	89.84
	AH214946			N-N-10,14		90 mm	JD-AHC19979	81.82
	AH224698			P-UB-1	50 mm		JD-AHC16954	89.84
	AH224698			N-N-10,14		90 mm	JD-AHC19979	81.82
	AH230912			P-UB-1	50 mm		JD-AHC16954	89.84
	AH230912			N-N-10,14		90 mm	JD-AHC19979	81.82
	AH230914			P-UB-1	50 mm		JD-AHC16954	89.84
	AH230914			N-N-10,14		90 mm	JD-AHC19979	81.82
	F122543			P-UB-1	50 mm		JD-AHC16954	89.84
	F122543			N-N-10,14		90 mm	JD-AHC19979	81.82
FD55 SAW CLAMP	AHC11549			N-N-10,14		100 mm	JD-AHC19978	92.68
	AHC11549			N-N-10,14		100 mm	JD-AHC19978	92.68
	AHC18311			RK-P-UB-1	56 mm		JD-AHC16683	71.97
	AHC18311			N-N-10,14		100 mm	JD-AHC19978	92.68
STEERING - LEFT	AHC16232			P-UB-1	50 mm		JD-AHC16954	89.84
	AHC16232			N-N-10,14		80 mm	JD-AHC20488	83.49
STEERING - RIGHT	AHC16235			P-UB-1	50 mm		JD-AHC16954	89.84
	AHC16235			N-N-10,14		80 mm	JD-AHC20488	83.49
TILT	AHC12795			P-UB-1	63 mm		JD-AHC13362	108.85
	AHC12795			N-N-10,14		110 mm	JD-AHC20489	97.61
MODEL 843K								
BOOM	AH216337			RK-P-UB-1	56 mm		JD-AHC16683	71.97
	AH216337			N-N-10,14		100 mm	JD-AHC19978	92.68
CAB TILT	AH216340			I-U-1	32 mm		JD-AH149817	31.79
	AH216340			N-N-10		63 mm	JD-AHC16682	22.18
	AHC10202			I-U-1	32 mm		JD-AH149817	31.79

LA - Long Arm LGP - Low Ground Pressure LT - Long Track MFWD - Mechanical Front Wheel Drive MP - Multi-Purpose
 IDM - Inside Dozer Mount ODM - Outside Dozer Mount SLF - Super Long Front STD - Straight Dozer WT - Wide Track

Replacement Kits For

JOHN DEERE®

Forestry - Wheel Feller Bunchers								
APPLICATION	CYL #	SERIAL #	Misc	CODE	ROD	BORE	KIT #	List \$
MODEL 843K								
CAB TILT	AHC10202			N-N-10		63 mm	JD-AHC16682	22.18
FD22B SAW CLAMP	AHC14073			RK-P-UB-1	56 mm		JD-AHC16683	71.97
	AHC14073			N-N-10,14		90 mm	JD-AHC19979	81.82
	AT435033			RK-P-UB-1	56 mm		JD-AHC16683	71.97
	AT435033			N-N-10,14		90 mm	JD-AHC19979	81.82
	F394673			RK-P-UB-1	56 mm		JD-AHC16683	71.97
	F394673			N-N-10,14		90 mm	JD-AHC19979	81.82
	F670104			RK-P-UB-1	56 mm		JD-AHC16683	71.97
	F670104			N-N-10,14		90 mm	JD-AHC19979	81.82
FD45 SAW CLAMP	AH207434			P-UB-1	50 mm		JD-AHC16954	89.84
	AH207434			N-N-10,14		90 mm	JD-AHC19979	81.82
	AH214946			P-UB-1	50 mm		JD-AHC16954	89.84
	AH214946			N-N-10,14		90 mm	JD-AHC19979	81.82
	AH224698			P-UB-1	50 mm		JD-AHC16954	89.84
	AH224698			N-N-10,14		90 mm	JD-AHC19979	81.82
	AH230912			P-UB-1	50 mm		JD-AHC16954	89.84
	AH230912			N-N-10,14		90 mm	JD-AHC19979	81.82
	AH230914			P-UB-1	50 mm		JD-AHC16954	89.84
	AH230914			N-N-10,14		90 mm	JD-AHC19979	81.82
	F122543			P-UB-1	50 mm		JD-AHC16954	89.84
	F122543			N-N-10,14		90 mm	JD-AHC19979	81.82
FD55 SAW CLAMP	AHC11549			RK-P-UB-1	56 mm		JD-AHC16683	71.97
	AHC11549			N-N-10,14		100 mm	JD-AHC19978	92.68
	AHC18311			RK-P-UB-1	56 mm		JD-AHC16683	71.97
	AHC18311			N-N-10,14		100 mm	JD-AHC19978	92.68
STEERING	AH219492			I,P-UB-1	45 mm		JD-AHC11572	112.05
	AH219492			N-N-10,14		80 mm	JD-AHC20488	83.49
TILT	AHC10034			RK-P-UB-1	56 mm		JD-AHC16683	71.97
	AHC10034			N-N-14		100 mm	JD-AHC19515	75.18
MODEL 843L								
BOOM	AHC12785			RK-P-UB-1	56 mm		JD-AHC16683	71.97
	AHC12785			N-N-10,14		100 mm	JD-AHC19978	92.68
FD22B SAW CLAMP	AHC14073			RK-P-UB-1	56 mm		JD-AHC16683	71.97
	AHC14073			N-N-10,14		90 mm	JD-AHC19979	81.82
	AT435033			RK-P-UB-1	56 mm		JD-AHC16683	71.97
	AT435033			N-N-10,14		90 mm	JD-AHC19979	81.82
	F394673			RK-P-UB-1	56 mm		JD-AHC16683	71.97
	F394673			N-N-10,14		90 mm	JD-AHC19979	81.82
	F670104			RK-P-UB-1	56 mm		JD-AHC16683	71.97
	F670104			N-N-10,14		90 mm	JD-AHC19979	81.82
FD45 SAW CLAMP	AH207434			P-UB-1	50 mm		JD-AHC16954	89.84
	AH207434			N-N-10,14		90 mm	JD-AHC19979	81.82
	AH214946			P-UB-1	50 mm		JD-AHC16954	89.84
	AH214946			N-N-10,14		90 mm	JD-AHC19979	81.82
	AH224698			P-UB-1	50 mm		JD-AHC16954	89.84
	AH224698			N-N-10,14		90 mm	JD-AHC19979	81.82
	AH230912			P-UB-1	50 mm		JD-AHC16954	89.84
	AH230912			N-N-10,14		90 mm	JD-AHC19979	81.82
	AH230914			P-UB-1	50 mm		JD-AHC16954	89.84
	AH230914			N-N-10,14		90 mm	JD-AHC19979	81.82
	F122543			P-UB-1	50 mm		JD-AHC16954	89.84
	F122543			N-N-10,14		90 mm	JD-AHC19979	81.82
FD55 SAW CLAMP	AHC11549			RK-P-UB-1	56 mm		JD-AHC16683	71.97
	AHC11549			N-N-10,14		100 mm	JD-AHC19978	92.68
	AHC18311			RK-P-UB-1	56 mm		JD-AHC16683	71.97

JOHN DEERE®

LA - Long Arm LGP - Low Ground Pressure LT - Long Track MFWD - Mechanical Front Wheel Drive MP - Multi-Purpose
 IDM - Inside Dozer Mount ODM - Outside Dozer Mount SLF - Super Long Front STD - Straight Dozer WT - Wide Track

FORMERLY LISTED REPAIR PARTS ARE AVAILABLE ONLINE AT WWW.HERCULESUS.COM
 OR BY CONTACTING YOUR REGIONAL HERCULES SALES TEAM.

Replacement Kits For

JOHN DEERE®

Forestry - Wheel Feller Bunchers								
APPLICATION	CYL #	SERIAL #	Misc	CODE	ROD	BORE	KIT #	List \$
MODEL 843L								
FD55 SAW CLAMP	AHC18311			N-N-10,14		100 mm	JD-AHC19978	92.68
STEERING - LEFT	AHC16232			P-UB-1	50 mm		JD-AHC16954	89.84
	AHC16232			N-N-10,14		80 mm	JD-AHC20488	83.49
STEERING - RIGHT	AHC16235			P-UB-1	50 mm		JD-AHC16954	89.84
	AHC16235			N-N-10,14		80 mm	JD-AHC20488	83.49
TILT	AHC12795			P-UB-1	63 mm		JD-AHC13362	108.85
	AHC12795			N-N-10,14		110 mm	JD-AHC20489	97.61
Forestry - Wheel Skidders								
APPLICATION	CYL #	SERIAL #	Misc	CODE	ROD	BORE	KIT #	List \$
MODEL 648L								
ARCH (Dual)	AHC15255			RK-P-UB-1	56 mm		JD-AHC16683	71.97
	AHC15255			N-N-10		100 mm	JD-AHC22109	74.26
	AHC20457			RK-P-UB-1	56 mm		JD-AHC16683	71.97
	AHC20457			N-N-10		100 mm	JD-AHC22109	74.26
Arch (Single)	AHC13135			RK-P-UB-1	56 mm		JD-AHC16683	71.97
	AHC13135			N-N-10		90 mm	JD-AHC22108	66.45
BOOM	AHC20460			P-UB-1	56 mm		JD-AHC20468	105.84
	AHC20460			N-N-10,14		100 mm	JD-AHC19978	92.68
BOOM (Dual)	AHC15277			RK-P-UB-1	56 mm		JD-AHC16683	71.97
	AHC15277			N-N-14		100 mm	JD-AHC19515	75.18
	AHC19375			RK-P-UB-1	56 mm		JD-AHC16683	71.97
	AHC19375			N-N-14		100 mm	JD-AHC19515	75.18
CAB TILT	AHC216340			I-U-1	32 mm		JD-AH149817	31.79
	AHC216340			N-N-10		63 mm	JD-AHC16682	22.18
GRAPPLE	AHC16307	-678405	10.8, 13.3, 15.9 sqft	P-UB-1	70 mm		JD-AHC16724	124.66
	AHC16307	-678405	10.8, 13.3, 15.9 sqft	N-N-14		115 mm	JD-AH212103	157.90
	AHC16308		19.1, 22.3 sqft	P-UB-1	70 mm		JD-AHC16724	124.66
	AHC16308		19.1, 22.3 sqft	N-N-14		115 mm	JD-AH212103	157.90
	AHC18005	648406-	10.8, 13.3, 15.9 sqft	P-UB-1	75 mm		JD-AHC13542	145.60
	AHC18005	648406-	10.8, 13.3, 15.9 sqft	N-N-14		120 mm	JD-AH149847	170.26
STACKING BLADE	AHC13134	-690770		P-UB-1	50 mm		JD-AHC16954	89.84
	AHC13134	-690770		N-N-14		100 mm	JD-AHC19515	75.18
	AHC19507	690771-		P-UB-1	50 mm		JD-AHC16954	89.84
	AHC19507	690771-		N-N-14		100 mm	JD-AHC19515	75.18
STEERING (LH)	AHC12805			P-UB-1	50 mm		JD-AHC16954	89.84
	AHC12805			N-N-10,14		90 mm	JD-AHC19979	81.82
	AHC20452			P-UB-1	50 mm		JD-AHC16954	89.84
	AHC20452			N-N-10,14		90 mm	JD-AHC19979	81.82
STEERING (RH)	AHC12721			P-UB-1	50 mm		JD-AHC16954	89.84
	AHC12721			N-N-10,14		90 mm	JD-AHC19979	81.82
	AHC20455			P-UB-1	50 mm		JD-AHC16954	89.84
	AHC20455			N-N-10,14		90 mm	JD-AHC19979	81.82
MODEL 748H								
ARCH (LH)	AH215479			RK-P-UB-1	56 mm		JD-AHC16683	71.97
	AH215479			N-N-10		100 mm	JD-AHC22109	74.26
ARCH (RH)	AH215485			RK-P-UB-1	56 mm		JD-AHC16683	71.97
	AH215485			N-N-10		100 mm	JD-AHC22109	74.26
BLADE	AH223576	-630435		P-UB-1	50 mm		JD-AHC16954	89.84
	AH223576	-630435		N-N-10		100 mm	JD-AHC22109	74.26
BOOM	AH215291		STD CYL	RK-P-UB-1	56 mm		JD-AHC16683	71.97
	AH215291		STD CYL	N-N-10		100 mm	JD-AHC22109	74.26
	AH227744		LARGE CYL	P-UB-1	63 mm		JD-AHC13362	108.85

LA - Long Arm LGP - Low Ground Pressure LT - Long Track MFWD - Mechanical Front Wheel Drive MP - Multi-Purpose
 IDM - Inside Dozer Mount ODM - Outside Dozer Mount SLF - Super Long Front STD - Straight Dozer WT - Wide Track

Replacement Kits For

JOHN DEERE®

Forestry - Wheel Skidders								
APPLICATION	CYL #	SERIAL #	Misc	CODE	ROD	BORE	KIT #	List \$
MODEL 748H								
BOOM	AH227744		LARGE CYL	N-N-14		115 mm	JD-AH212103	157.90
CAB TILT	AH216340			I-U-1	32 mm		JD-AH149817	31.79
	AH216340			N-N-10		63 mm	JD-AHC16682	22.18
	AHC10202			I-U-1	32 mm		JD-AH149817	31.79
	AHC10202			N-N-10		63 mm	JD-AHC16682	22.18
GRAPPLE	AH209744	-630745		P-UB-1	63 mm		JD-AHC13362	108.85
	AH209744	-630745		N-N-10		125 mm	JD-AH167596	41.07
	AH231020	-630435		P-UB-1	63 mm		JD-AHC13362	108.85
	AH231020	-630435		N-N-14		125 mm	JD-AH163672	151.74
	AHC15842			N-N-14		125 mm	JD-AH163672	151.74
STEERING	AH213303	-630435	STD CYL	P-UB-1	50 mm		JD-AHC16954	89.84
	AH213303	-630435	STD CYL	N-N-10,14		90 mm	JD-AHC19979	81.82
	AH219905	-630435	LARGE CYL	RK-P-UB-1	56 mm		JD-AHC16683	71.97
	AH219905	-630435	LARGE CYL	N-N-14		100 mm	JD-AHC19515	75.18
MODEL 748L								
ARCH	AHC20462	700126-		P-UB-1	56 mm		JD-AHC20468	105.84
	AHC20462	700126-		N-N-14		100 mm	JD-AHC19515	75.18
ARCH (DUAL)	AHC15273	-678070		RK-P-UB-1	56 mm		JD-AHC16683	71.97
	AHC15273	-678070		N-N-14		100 mm	JD-AHC19515	75.18
	AHC18226	678071-700125		P-UB-1	56 mm		JD-AHC20468	105.84
	AHC18226	678071-700125		N-N-14		100 mm	JD-AHC19515	75.18
BOOM	AHC20465	700126-		P-UB-1	56 mm		JD-AHC20468	105.84
	AHC20465	700126-		N-N-10,14		100 mm	JD-AHC19978	92.68
BOOM (DUAL)	AHC15283	-700125		P-UB-1	56 mm		JD-AHC20468	105.84
	AHC15283	-700125		N-N-14		100 mm	JD-AHC19515	75.18
CAB TILT	AH216340			I-U-1	32 mm		JD-AH149817	31.79
	AH216340			N-N-10		63 mm	JD-AHC16682	22.18
GRAPPLE	AHC16307	-678405	10.8, 13.3, 15.9 sqft	P-UB-1	70 mm		JD-AHC16724	124.66
	AHC16307	-678405	10.8, 13.3, 15.9 sqft	N-N-14		115 mm	JD-AH212103	157.90
	AHC16308	-678405	19.1, 22.3 sqft	P-UB-1	70 mm		JD-AHC16724	124.66
	AHC16308	-678405	19.1, 22.3 sqft	N-N-14		115 mm	JD-AH212103	157.90
	AHC18005	678406-	10.8, 13.3, 15.9 sqft	P-UB-1	75 mm		JD-AHC13542	145.60
	AHC18005	678406-	10.8, 13.3, 15.9 sqft	N-N-14		120 mm	JD-AH149847	170.26
	AHC18121	678406-	19.1, 22.3 sqft	P-UB-1	75 mm		JD-AHC13542	145.60
	AHC18121	678406-	19.1, 22.3 sqft	N-N-14		120 mm	JD-AH149847	170.26
STACKING BLADE	AHC13134	-690770		P-UB-1	50 mm		JD-AHC16954	89.84
	AHC13134	-690770		N-N-14		100 mm	JD-AHC19515	75.18
	AHC19507	690771-		P-UB-1	50 mm		JD-AHC16954	89.84
	AHC19507	690771-		N-N-14		100 mm	JD-AHC19515	75.18
STEERING (LH)	AHC12805	-700125		P-UB-1	50 mm		JD-AHC16954	89.84
	AHC12805	-700125		N-N-10,14		90 mm	JD-AHC19979	81.82
	AHC20452	700126-		P-UB-1	50 mm		JD-AHC16954	89.84
	AHC20452	700126-		N-N-10,14		90 mm	JD-AHC19979	81.82
STEERING (RH)	AHC12721	-700125		P-UB-1	50 mm		JD-AHC16954	89.84
	AHC12721	-700125		N-N-10,14		90 mm	JD-AHC19979	81.82
	AHC20455	700126-			50 mm		JD-AHC20467	70.85
	AHC20455	700126-		N-N-10,14		90 mm	JD-AHC19979	81.82
Knuckle Boom Loaders								
APPLICATION	CYL #	SERIAL #	Misc	CODE	ROD	BORE	KIT #	List \$
MODEL 435C								
JIB	F125716			P-UB-14	4	6-1/2	JD-F437037	482.10

LA - Long Arm LGP - Low Ground Pressure LT - Long Track MFWD - Mechanical Front Wheel Drive MP - Multi-Purpose
 IDM - Inside Dozer Mount ODM - Outside Dozer Mount SLF - Super Long Front STD - Straight Dozer WT - Wide Track

FORMERLY LISTED REPAIR PARTS ARE AVAILABLE ONLINE AT WWW.HERCULESUS.COM
 OR BY CONTACTING YOUR REGIONAL HERCULES SALES TEAM.

Replacement Kits For

JOHN DEERE®

Knuckle Boom Loaders								
APPLICATION	CYL #	SERIAL #	Misc	CODE	ROD	BORE	KIT #	List \$
MODEL 437C								
JIB	F124561	-171504		P-UB-1	3-1/2		JD-AT384823	215.31
	F124561	-171504		N-N-14		6	JD-AT348039	128.73
MAIN	F125723			P-UB-14	4	7	JD-F437043	479.94
Loaders - Skid Steer								
APPLICATION	CYL #	SERIAL #	Misc	CODE	ROD	BORE	KIT #	List \$
MODEL 240								
BOOM (LH)	AH210318	925239-		I-U-10	40 mm	2-1/4	JD-AH160844	63.72
BOOM (RH)	AH210319	925239-		I-U-10	36 mm	2-1/4	JD-AH168977	70.69
BUCKET	AH212126	-925238		I-U-10	32 mm	2-1/4	JD-AH160843	66.86
BUCKET (LH)	AH211533	925239-		I-U-10	32 mm	2-1/4	JD-AH160843	66.86
	AH218165	925239-		I-U-10	32 mm	2-1/4	JD-AH160843	66.86
BUCKET (RH)	AH210320	925239-		I-U-10	32 mm	2-1/4	JD-AH160843	66.86
	AH218164	925239-		I-U-10	32 mm	2-1/4	JD-AH160843	66.86
MODEL 250								
BOOM		-925238		I-U-10	40 mm	2-1/4	JD-AH160844	63.72
		251874-		I-U-10	36 mm	2-1/4	JD-AH168977	70.69
BOOM (LH)	AH210318	925239-		I-U-10	40 mm	2-1/4	JD-AH160844	63.72
BOOM (RH)	AH210319	925239-		I-U-10	36 mm	2-1/4	JD-AH168977	70.69
BUCKET	AH212126	-925238		I-U-10	32 mm	2-1/4	JD-AH160843	66.86
BUCKET (LH)	AH211533	925239-		I-U-10	32 mm	2-1/4	JD-AH160843	66.86
	AH218165							
BUCKET (RH)	AH218165	925239-		I-U-10	32 mm	2-1/4	JD-AH160843	66.86
	AH210320	925239-		I-U-10	32 mm	2-1/4	JD-AH160843	66.86
	AH218164	925239-		I-U-10	32 mm	2-1/4	JD-AH160843	66.86
MODEL 260								
BOOM	AH163702	-369999		I-U-10	45 mm	2-1/2	JD-AH160846	61.76
	AH163703	-369999		I-U-10	45 mm	2-1/2	JD-AH160846	61.76
	AH210322	925240-		I-U-10	45 mm	2-1/2	JD-AH160846	61.76
	AH210322	370000-925239		I-U-10	45 mm	2-1/2	JD-AH160846	61.76
BUCKET	AH158440	-160844		I-U-10	40 mm	2-1/2	JD-AH160845	63.36
	AH166137	160845-369999		I-U-10	36 mm	2-1/2	JD-AH166140	91.08
	AH210323	925240-		I-U-10	36 mm	2-1/2	JD-AH166140	91.08
	AH210323	370000-925239		I-U-10	36 mm	2-1/2	JD-AH166140	91.08
	AH210324	925240-		I-U-10	36 mm	2-1/2	JD-AH166140	91.08
	AH210324	370000-925239		I-U-10	36 mm	2-1/2	JD-AH166140	91.08
MODEL 270								
BOOM	AH163702	-379999		I-U-10	45 mm	2-1/2	JD-AH160846	61.76
	AH163703	-379999		I-U-10	45 mm	2-1/2	JD-AH160846	61.76
	AH210322	925240-		I-U-10	45 mm	2-1/2	JD-AH160846	61.76
	AH210322	380000-925239		I-U-10	45 mm	2-1/2	JD-AH160846	61.76
BUCKET	AH158440	-170702		I-U-10	40 mm	2-1/2	JD-AH160845	63.36
	AH166137	170703-370249		I-U-10	36 mm	2-1/2	JD-AH166140	91.08
	AH210325	925240-		I-U-10	36 mm	2-3/4	JD-AH174553	91.04
	AH210630	380000-925239		I-U-10	36 mm	2-3/4	JD-AH174553	91.04
	AH210630	370250-379999		I-U-10	36 mm	2-3/4	JD-AH174553	91.04
	AH211460	925240-		I-U-10	36 mm	2-3/4	JD-AH174553	91.04
MODEL 280								
BOOM	AH174080			N-N-10		70 mm	JD-AH212090	16.52
	AH174080			I,P-UB-1	45 mm		JD-AH149813	79.07
	AH210326			I,P-UB-1	45 mm		JD-AH149813	79.07
	AH210326			N-N-10		70 mm	JD-AH212090	16.52
BUCKET	AH210329	925240-		I,P-UB-1	45 mm		JD-AH149813	79.07
	AH210329	925240-		N-N-10		80 mm	JD-AH212092	48.69
	AH210329	-925239		I,P-UB-1	45 mm		JD-AH149813	79.07
	AH210329	-925239		N-N-10		80 mm	JD-AH212092	48.69

LA - Long Arm LGP - Low Ground Pressure LT - Long Track MFWD - Mechanical Front Wheel Drive MP - Multi-Purpose
 IDM - Inside Dozer Mount ODM - Outside Dozer Mount SLF - Super Long Front STD - Straight Dozer WT - Wide Track

JOHN DEERE®

Replacement Kits For

JOHN DEERE®

Loaders - Skid Steer								
APPLICATION	CYL #	SERIAL #	Misc	CODE	ROD	BORE	KIT #	List \$
MODEL 280								
BUCKET	AH211461	925240-		I,P-UB-1	45 mm		JD-AH149813	79.07
	AH211461	925240-		N-N-10		80 mm	JD-AH212092	48.69
	AH211461	-925239		I,P-UB-1	45 mm		JD-AH149813	79.07
	AH211461	-925239		N-N-10		80 mm	JD-AH212092	48.69
MODEL 317								
BOOM	AH212292	-111419		I-U-10	36 mm	2-1/4	JD-AH168977	70.69
	AH212293	-111419		I-U-10	36 mm	2-1/4	JD-AH168977	70.69
	AH218239	111420-		I-U-10	40 mm	56 mm	JD-AH231937	56.94
	AH218240	111420-		I-U-10	40 mm	56 mm	JD-AH231937	56.94
BUCKET	AH210320	-114864		I-U-10	32 mm	56 mm	JD-AH231936	62.34
	AH211533	-114864		I-U-10	32 mm	56 mm	JD-AH231936	62.34
	AH218164	114865-		I-U-10	32 mm	56 mm	JD-AH231936	62.34
	AH218165	114865-		I-U-10	32 mm	56 mm	JD-AH231936	62.34
QUIK-TATCH	AH216525	-104830		I-U-10	20 mm	32 mm	JD-AH174428	78.80
	AH216525	104831-		I-U-10	20 mm	32 mm	JD-AH174428	78.80
MODEL 318D								
BOOM (LH)	AH218242	-179866		I-U-10	40 mm	56 mm	JD-AH231937	56.94
	AHC10896	185695-		I-U-10	40 mm	56 mm	JD-AH231937	56.94
	AHC10896	185695-		N-N-10		2-1/4	JD-AH164325	27.77
BOOM (RH)	AH218242	-179866		I-U-10	40 mm	56 mm	JD-AH231937	56.94
	AHC10895	185695-		N-N-10		2-1/4	JD-AH164325	27.77
	AHC10895			I-U-10	40 mm	56 mm	JD-AH231937	56.94
BUCKET (LH)	AHC10392			I-U-10	36 mm	2-1/2	JD-AH166140	91.08
BUCKET (RH)	AHC10391			I-U-10	36 mm	2-1/2	JD-AH166140	91.08
MODEL 318E								
BOOM	AHC14647			I,P-UB-1	40 mm		JD-AHC13485	88.25
	AHC14647			N-N-10		63 mm	JD-AH212088	17.67
BUCKET LH	AHC13933			I,P-U-1	36 mm		JD-AHC18638	72.99
	AHC13933			N-N-10		63 mm	JD-AH212088	17.67
BUCKET RH	AHC13932			I,P-U-1	36 mm		JD-AHC18638	72.99
	AHC13932			N-N-10		63 mm	JD-AH212088	17.67
MODEL 318G								
BOOM	AHC16509			I,P-UB-1	40 mm		JD-AHC13485	88.25
	AHC16509			N-N-10		63 mm	JD-AH212088	17.67
BUCKET LH	AHC16512			I,P-U-1	36 mm		JD-AHC18638	72.99
	AHC16512			N-N-10		70 mm	JD-AH212090	16.52
	AHC19578			I,P-U-1	36 mm		JD-AHC18638	72.99
	AHC19578			N-N-10		70 mm	JD-AH212090	16.52
BUCKET RH	AHC16511			I,P-U-1	36 mm		JD-AHC18638	72.99
	AHC16511			N-N-10		70 mm	JD-AH212090	16.52
	AHC19575			I,P-U-1	36 mm		JD-AHC18638	72.99
	AHC19575			N-N-10		70 mm	JD-AH212090	16.52
MODEL 320								
BOOM	AH212292	-111419		I-U-10	36 mm	2-1/4	JD-AH168977	70.69
	AH212293	-111419		I-U-10	36 mm	2-1/4	JD-AH168977	70.69
	AH218239	111420-		I-U-10	40 mm	56 mm	JD-AH231937	56.94
	AH218240	111420-		I-U-10	40 mm	56 mm	JD-AH231937	56.94
BUCKET	AH210320	-114864		I-U-10	32 mm	56 mm	JD-AH231936	62.34
	AH211533	-114864		I-U-10	32 mm	56 mm	JD-AH231936	62.34
	AH218164	114865-		I-U-10	32 mm	56 mm	JD-AH231936	62.34
	AH218165	114865-		I-U-10	32 mm	56 mm	JD-AH231936	62.34
QUIK-TATCH	AH216525	104831-		I-U-10	20 mm	32 mm	JD-AH174428	78.80
	AH216525	-104830		I-U-10	20 mm	32 mm	JD-AH174428	78.80
MODEL 320D								
BOOM (LH)	AH218242	-179866		I-U-10	40 mm	56 mm	JD-AH231937	56.94

LA - Long Arm LGP - Low Ground Pressure LT - Long Track MFWD - Mechanical Front Wheel Drive MP - Multi-Purpose
 IDM - Inside Dozer Mount ODM - Outside Dozer Mount SLF - Super Long Front STD - Straight Dozer WT - Wide Track

FORMERLY LISTED REPAIR PARTS ARE AVAILABLE ONLINE AT WWW.HERCULESUS.COM
 OR BY CONTACTING YOUR REGIONAL HERCULES SALES TEAM.

Replacement Kits For

JOHN DEERE®

Loaders - Skid Steer								
APPLICATION	CYL #	SERIAL #	Misc	CODE	ROD	BORE	KIT #	List \$
MODEL 320D								
BOOM (LH)	AHC10896	185695-		N-N-10		2-1/4	JD-AH164325	27.77
	AHC10896	185695-		I-U-10	40 mm	56 mm	JD-AH231937	56.94
BOOM (RH)	AH218241	-179866		I-U-10	40 mm	56 mm	JD-AH231937	56.94
	AHC10895	185695-		I-U-10	40 mm	56 mm	JD-AH231937	56.94
BUCKET (LH)	AHC10392			I-U-10	36 mm	2-1/2	JD-AH166140	91.08
BUCKET (RH)	AHC10391			I-U-10	36 mm	2-1/2	JD-AH166140	91.08
MODEL 320E								
BOOM	AHC14647			I,P-UB-1	40 mm		JD-AHC13485	88.25
	AHC14647			N-N-10		63 mm	JD-AH212088	17.67
BUCKET LH	AHC13933			I,P-U-1	36 mm		JD-AHC18638	72.99
	AHC13933			N-N-10		63 mm	JD-AH212088	17.67
BUCKET RH	AHC13932			I,P-U-1	36 mm		JD-AHC18638	72.99
	AHC13932			N-N-10		63 mm	JD-AH212088	17.67
MODEL 323D								
BOOM (LH)	AH218242	-179866		I-U-10	40 mm	56 mm	JD-AH231937	56.94
	AHC10764	179866-185694		I,P-UB-1	40 mm		JD-AH149194	65.97
	AHC10764	179866-185694		N-N-10		2-1/4	JD-AH164325	27.77
	AHC10896	185695-		I-U-10	40 mm	56 mm	JD-AH231937	56.94
BOOM (RH)	AHC10896	185695-		N-N-10		2-1/4	JD-AH164325	27.77
	AHC10895	179867-185694		I,P-UB-1	40 mm		JD-AH149194	65.97
	AHC10895	185695-		I-U-10	40 mm	56 mm	JD-AH231937	56.94
	AHC10895	179867-185694		N-N-10		2-1/4	JD-AH164325	27.77
BUCKET (LH)	AH232322			I-U-10	36 mm	2-1/2	JD-AH166140	91.08
BUCKET (RH)	AH232321			I-U-10	36 mm	2-1/2	JD-AH166140	91.08
MODEL 325								
BOOM	AH210322			I-U-10	45 mm	2-1/2	JD-AH160846	61.76
BUCKET	AH210323			I-U-10	36 mm	2-1/2	JD-AH166140	91.08
	AH210324			I-U-10	36 mm	2-1/2	JD-AH166140	91.08
QUIK-TATCH	AH216525	-131897		I-U-10	20 mm	32 mm	JD-AH174428	78.80
MODEL 326D								
BOOM	AH210322			I-U-10	45 mm	2-1/2	JD-AH160846	61.76
BUCKET (LH)	AH232324			I-U-10	36 mm	2-3/4	JD-AH174553	91.04
BUCKET (RH)	AH232323			I-U-10	36 mm	2-3/4	JD-AH174553	91.04
MODEL 326E								
BOOM	AHC15448			I-U-10	45 mm	2-1/2	JD-AH160846	61.76
BUCKET (LH)	AH232324			I-U-10	36 mm	2-3/4	JD-AH174553	91.04
BUCKET (RH)	AH232323			I-U-10	36 mm	2-3/4	JD-AH174553	91.04
MODEL 328								
BOOM	AH210322			I-U-10	45 mm	2-1/2	JD-AH160846	61.76
BUCKET	AH210325			I-U-10	36 mm	2-3/4	JD-AH174553	91.04
	AH211460			I-U-10	36 mm	2-3/4	JD-AH174553	91.04
QUIK-TATCH	AH216525	-131897		I-U-10	20 mm	32 mm	JD-AH174428	78.80
MODEL 328D								
BOOM	AH210322			I-U-10	45 mm	2-1/2	JD-AH160846	61.76
BUCKET (LH)	AH232326			I,P-UB-1	40 mm		JD-AH149194	65.97
	AH232326			N-N-10		80 mm	JD-AH212092	48.69
BUCKET (RH)	AH232325			I,P-UB-1	40 mm		JD-AH149194	65.97
	AH232325			N-N-10		80 mm	JD-AH212092	48.69
MODEL 328E								
BOOM	AHC15448			I-U-10	45 mm	2-1/2	JD-AH160846	61.76
BUCKET (LH)	AH232326			N-N-10		80 mm	JD-AH212092	48.69
	AH232326			I,P-UB-1	40 mm		JD-AH149194	65.97
BUCKET (RH)	AH232325			I,P-UB-1	40 mm		JD-AH149194	65.97
	AH232325			N-N-10		80 mm	JD-AH212092	48.69

LA - Long Arm LGP - Low Ground Pressure LT - Long Track MFWD - Mechanical Front Wheel Drive MP - Multi-Purpose
 IDM - Inside Dozer Mount ODM - Outside Dozer Mount SLF - Super Long Front STD - Straight Dozer WT - Wide Track

Replacement Kits For

JOHN DEERE®

Loaders - Skid Steer								
APPLICATION	CYL #	SERIAL #	Misc	CODE	ROD	BORE	KIT #	List \$
MODEL 329D								
BOOM		AH210322		I-U-10	45 mm	2-1/2	JD-AH160846	61.76
BUCKET (LH)		AH232328		I,P-UB-1	45 mm		JD-AH149813	79.07
		AH232328		N-N-10		90 mm	JD-AH212097	20.94
BUCKET (RH)		AH232327		I,P-UB-1	45 mm		JD-AH149813	79.07
		AH232327		N-N-10		90 mm	JD-AH212097	20.94
MODEL 330G								
BOOM		AHC18593		I,P-UB-1	45 mm		JD-AHC11572	112.05
		AHC18593		N-N-10		63 mm	JD-AH212088	17.67
BUCKET LH		AHC14965	-308099	I,P-UB-1	40 mm		JD-AHC13485	88.25
		AHC14965	-308099	N-N-10		80 mm	JD-AH212092	48.69
		AHC18301	308100-	I,P-UB-1	40 mm		JD-AHC13485	88.25
		AHC18301	308100-	N-N-10,14		80 mm	JD-AHC20488	83.49
BUCKET RH		AHC14964	-308099	I,P-UB-1	40 mm		JD-AHC13485	88.25
		AHC14964	-308099	N-N-10		80 mm	JD-AH212092	48.69
		AHC18298	308100-	I,P-UB-1	40 mm		JD-AHC13485	88.25
		AHC18298	308100-	N-N-10,14		80 mm	JD-AHC20488	83.49
MODEL 332								
BOOM		AH174080	-103752	N-N-10		70 mm	JD-AH212090	16.52
		AH174080	-103752	I,P-UB-1	45 mm		JD-AH149813	79.07
		AH210326	103753-	I,P-UB-1	45 mm		JD-AH149813	79.07
		AH210326	103753-	N-N-10		70 mm	JD-AH212090	16.52
BUCKET		AH210329		I,P-UB-1	45 mm		JD-AH149813	79.07
		AH210329		N-N-10		80 mm	JD-AH212092	48.69
		AH211461		I,P-UB-1	45 mm		JD-AH149813	79.07
		AH211461		N-N-10		80 mm	JD-AH212092	48.69
QUIK-TATCH		AH216525	-104830	I-U-10	20 mm	32 mm	JD-AH174428	78.80
		AH216525	104831-	I-U-10	20 mm	32 mm	JD-AH174428	78.80
MODEL 332D								
BOOM		AH232740		I,P-UB-1	45 mm		JD-AH149813	79.07
		AH232740		N-N-10		70 mm	JD-AH212090	16.52
BUCKET (LH)		AH232328		I,P-UB-1	45 mm		JD-AH149813	79.07
		AH232328		N-N-10		90 mm	JD-AH212097	20.94
BUCKET (RH)		AH232327		I,P-UB-1	45 mm		JD-AH149813	79.07
		AH232327		N-N-10		90 mm	JD-AH212097	20.94
MODEL 332E								
BOOM		AH232740		N-N-10		70 mm	JD-AH212090	16.52
		AH232740		I,P-UB-1	45 mm		JD-AHC11572	112.05
BUCKET (LH)		AH232328		I,P-UB-1	45 mm		JD-AH149813	79.07
		AH232328		N-N-10		90 mm	JD-AH212097	20.94
BUCKET (RH)		AH232327		I,P-UB-1	45 mm		JD-AH149813	79.07
		AH232327		N-N-10		90 mm	JD-AH212097	20.94
MODEL 332G								
BOOM		AHC18598		I,P-UB-1	45 mm		JD-AHC11572	112.05
		AHC18598		N-N-14		70 mm	JD-AH212089	49.69
BUCKET LH		AHC14967	-308276	I,P-UB-1	45 mm		JD-AHC11572	112.05
		AHC14967	-308276	N-N-10		90 mm	JD-AH212097	20.94
		AHC18295	308277-	I,P-UB-1	45 mm		JD-AHC11572	112.05
		AHC18295	308277-	N-N-10,14		90 mm	JD-AHC19979	81.82
BUCKET RH		AHC14966	-308276	I,P-UB-1	45 mm		JD-AHC11572	112.05
		AHC14966	-308276	N-N-10		90 mm	JD-AH212097	20.94
		AHC18283	308277-	I,P-UB-1	45 mm		JD-AHC11572	112.05
		AHC18283	308277-	N-N-10,14		90 mm	JD-AHC19979	81.82
MODEL 333D								
BOOM		AH232740		I,P-UB-1	45 mm		JD-AH149813	79.07
		AH232740		N-N-10		70 mm	JD-AH212090	16.52

LA - Long Arm LGP - Low Ground Pressure LT - Long Track MFWD - Mechanical Front Wheel Drive MP - Multi-Purpose
 IDM - Inside Dozer Mount ODM - Outside Dozer Mount SLF - Super Long Front STD - Straight Dozer WT - Wide Track

FORMERLY LISTED REPAIR PARTS ARE AVAILABLE ONLINE AT WWW.HERCULESUS.COM
 OR BY CONTACTING YOUR REGIONAL HERCULES SALES TEAM.

JOHN DEERE®

Replacement Kits For

JOHN DEERE®

Loaders - Skid Steer								
APPLICATION	CYL #	SERIAL #	Misc	CODE	ROD	BORE	KIT #	List \$
MODEL 333D								
BUCKET (LH)	AH232328			I,P-UB-1	45 mm		JD-AH149813	79.07
	AH232328			N-N-10		90 mm	JD-AH212097	20.94
BUCKET (RH)	AH232327			I,P-UB-1	45 mm		JD-AH149813	79.07
	AH232327			N-N-10		90 mm	JD-AH212097	20.94
MODEL CT322								
BOOM	AH218241			I-U-10	40 mm	56 mm	JD-AH231937	56.94
	AH218242			I-U-10	40 mm	56 mm	JD-AH231937	56.94
BUCKET	AH218164			I-U-10	32 mm	56 mm	JD-AH231936	62.34
	AH218165			I-U-10	32 mm	56 mm	JD-AH231936	62.34
QUIK-TATCH	AH216525			I-U-10	20 mm	32 mm	JD-AH174428	78.80
MODEL CT332								
BOOM	AH210326			I,P-UB-1	45 mm		JD-AH149813	79.07
	AH210326			N-N-10		70 mm	JD-AH212090	16.52
BUCKET	AH210329			N-N-10		80 mm	JD-AH212092	48.69
	AH210329			I,P-UB-1	45 mm		JD-AH149813	79.07
	AH211461			N-N-10		80 mm	JD-AH212092	48.69
	AH211461			I,P-UB-1	45 mm		JD-AH149813	79.07
QUIK-TATCH	AH216525			I-U-10	20 mm	32 mm	JD-AH174428	78.80
Loaders - Track Skid Steer								
APPLICATION	CYL #	SERIAL #	Misc	CODE	ROD	BORE	KIT #	List \$
MODEL 317G								
BOOM	AHC16509			I,P-UB-1	40 mm		JD-AHC13485	88.25
	AHC16509			N-N-10		63 mm	JD-AH212088	17.67
	AHC16509			Piston		63 mm	JD-AH137177	175.79
BUCKET LH	AHC16512			I-U-1	36 mm		JD-AHC15630	44.91
	AHC16512			N-N-10		70 mm	JD-AH212090	16.52
	AHC16512			Piston		70 mm	JD-AH172352	179.78
BUCKET RH	AHC16511			I-U-1	36 mm		JD-AHC15630	44.91
	AHC16511			N-N-10		70 mm	JD-AH212090	16.52
	AHC16511			Piston		70 mm	JD-AH172352	179.78
MODEL 319D								
BOOM (LH)	AH218242	-179866		I-U-10	40 mm	56 mm	JD-AH231937	56.94
	AHC10764	179867-185694		I,P-UB-1	40 mm		JD-AH149194	65.97
	AHC10764	179867-185694		N-N-10		2-1/4	JD-AH164325	27.77
	AHC10896			I-U-10	40 mm	56 mm	JD-AH231937	56.94
	AHC10896			N-N-10		2-1/4	JD-AH164325	27.77
BOOM (RH)	AH218241	-179866		I-U-10	40 mm	56 mm	JD-AH231937	56.94
	AHC10763	179867-185694		I,P-UB-1	40 mm		JD-AH149194	65.97
	AHC10763	179867-185694		N-N-10		2-1/4	JD-AH164325	27.77
	AHC10895			I-U-10	40 mm	56 mm	JD-AH231937	56.94
	AHC10895			N-N-10		2-1/4	JD-AH164325	27.77
BUCKET (LH)	AH232322			I,P-UB-1	40 mm		JD-AH149194	65.97
	AH232322			I-U-1	36 mm		JD-AHC15630	44.91
	AH232322		Use w/ 36mm Rod Kit	N-N-10		63 mm	JD-AH212088	17.67
	AH232322		Use w/ 40mm Rod Kit	N-N-10		70 mm	JD-AH212090	16.52
BUCKET (RH)	AH232321			I,P-UB-1	40 mm		JD-AH149194	65.97
	AH232321			I-U-1	36 mm		JD-AHC15630	44.91
	AH232321		Use w/ 36mm Rod Kit	N-N-10		63 mm	JD-AH212088	17.67
	AH232321		Use w/ 40mm Rod Kit	N-N-10		70 mm	JD-AH212090	16.52
MODEL 319E								
BOOM	AHC14647			I,P-UB-1	40 mm		JD-AHC13485	88.25
	AHC14647			N-N-10		63 mm	JD-AH212088	17.67

LA - Long Arm LGP - Low Ground Pressure LT - Long Track MFWD - Mechanical Front Wheel Drive MP - Multi-Purpose
 IDM - Inside Dozer Mount ODM - Outside Dozer Mount SLF - Super Long Front STD - Straight Dozer WT - Wide Track

Replacement Kits For

JOHN DEERE®

Loaders - Track Skid Steer								
APPLICATION	CYL #	SERIAL #	Misc	CODE	ROD	BORE	KIT #	List \$
MODEL 319E								
BOOM	AHC14647			Piston		63 mm	JD-AH137177	175.79
BUCKET LH	AHC13933			I-U-1	36 mm		JD-AHC15630	44.91
	AHC13933			N-N-10		63 mm	JD-AH212088	17.67
BUCKET RH	AHC13933			Piston		63 mm	JD-AH166138	170.89
	AHC13932			I-U-1	36 mm		JD-AHC15630	44.91
BUCKET RH	AHC13932			N-N-10		63 mm	JD-AH212088	17.67
	AHC13932			Piston		63 mm	JD-AH166138	170.89
MODEL 323E								
BOOM	AHC14648			I,P-UB-1	45 mm		JD-AHC11572	112.05
	AHC14648			N-N-10		70 mm	JD-AH212090	16.52
BUCKET LH	AHC13934			I,P-UB-1	40 mm		JD-AHC13485	88.25
	AHC13934			N-N-14		70 mm	JD-AH212089	49.69
BUCKET RH	AHC13935			I,P-UB-1	40 mm		JD-AHC13485	88.25
	AHC13935			N-N-14		70 mm	JD-AH212089	49.69
MODEL 324E								
BOOM	AHC17478			I,P-UB-1	45 mm		JD-AHC11572	112.05
	AHC17478			N-N-10		70 mm	JD-AH212090	16.52
	AHC17478			Piston		70 mm	JD-RE34084	255.11
BUCKET LH	AHC17488			I,P-U-1	36 mm		JD-AHC18638	72.99
	AHC17488			N-N-10		70 mm	JD-AH212090	16.52
	AHC17488			Piston		70 mm	JD-AH172352	179.78
BUCKET RH	AHC17485			I,P-U-1	36 mm		JD-AHC18638	72.99
	AHC17485			N-N-10		70 mm	JD-AH212090	16.52
	AHC17485			Piston		70 mm	JD-AH172352	179.78
MODEL 329E								
BOOM	AHC15448			I-U-10	45 mm	2-1/2	JD-AH160846	61.76
BUCKET (LH)	AH232328			I,P-UB-1	45 mm		JD-AH149813	79.07
	AH232328			N-N-10		90 mm	JD-AH212097	20.94
BUCKET (RH)	AH232327			I,P-UB-1	45 mm		JD-AH149813	79.07
	AH232327			N-N-10		90 mm	JD-AH212097	20.94
MODEL 331G								
BOOM	AHC18593			I,P-UB-1	45 mm		JD-AHC11572	112.05
	AHC18593			N-N-10		63 mm	JD-AH212088	17.67
	AHC18593			Piston		63 mm	JD-AH160647	175.79
BUCKET LH	AHC14967	-308276		I,P-UB-1	45 mm		JD-AHC11572	112.05
	AHC14967	-308276		N-N-10		90 mm	JD-AH212097	20.94
	AHC14967	-308276		Wear Ring		90 mm	JD-R81776	6.38
	AHC18295	308277-		I,P-UB-1	45 mm		JD-AHC11572	112.05
	AHC18295	308277-		N-N-10,14		90 mm	JD-AHC19979	81.82
BUCKET RH	AHC14966	-308276		I,P-UB-1	45 mm		JD-AHC11572	112.05
	AHC14966	-308276		N-N-10		90 mm	JD-AH212097	20.94
	AHC14966	-308276		Wear Ring		90 mm	JD-R81776	6.38
	AHC18283	308277-		I,P-UB-1	45 mm		JD-AHC11572	112.05
	AHC18283	308277-		N-N-10,14		90 mm	JD-AHC19979	81.82
MODEL 333E								
BOOM	AH232740			I,P-UB-1	45 mm		JD-AHC11572	112.05
	AH232740			N-N-10		70 mm	JD-AH212090	16.52
BUCKET (LH)	AH232328			I,P-UB-1	45 mm		JD-AH149813	79.07
	AH232328			N-N-10		90 mm	JD-AH212097	20.94
BUCKET (RH)	AH232327			I,P-UB-1	45 mm		JD-AH149813	79.07
	AH232327			N-N-10		90 mm	JD-AH212097	20.94
MODEL 333G								
BOOM	AHC18598			I,P-UB-1	45 mm		JD-AHC11572	112.05
	AHC18598			N-N-14		70 mm	JD-AH212089	49.69
BUCKET LH	ACH18295	308277-		I,P-UB-1	45 mm		JD-AHC11572	112.05

LA - Long Arm LGP - Low Ground Pressure LT - Long Track MFWD - Mechanical Front Wheel Drive MP - Multi-Purpose
 IDM - Inside Dozer Mount ODM - Outside Dozer Mount SLF - Super Long Front STD - Straight Dozer WT - Wide Track

FORMERLY LISTED REPAIR PARTS ARE AVAILABLE ONLINE AT WWW.HERCULESUS.COM
 OR BY CONTACTING YOUR REGIONAL HERCULES SALES TEAM.

Replacement Kits For

JOHN DEERE®

JOHN DEERE®

Loaders - Track Skid Steer								
APPLICATION	CYL #	SERIAL #	Misc	CODE	ROD	BORE	KIT #	List \$
MODEL 333G								
BUCKET LH	ACH18295	308277-		N-N-10,14		90 mm	JD-AHC19979	81.82
	AHC14967	-308276		I,P-UB-1	45 mm		JD-AHC11572	112.05
	AHC14967	-308276		N-N-10		90 mm	JD-AH212097	20.94
	AHC14967	-308276		Wear Ring		90 mm	JD-R81776	6.38
BUCKET RH	AHC14966	-308276		I,P-UB-1	45 mm		JD-AHC11572	112.05
	AHC14966	-308276		N-N-10		90 mm	JD-AH212097	20.94
	AHC14966	-308276		Wear Ring		90 mm	JD-R81776	6.38
	AHC18283	308277-		I,P-UB-1	45 mm		JD-AHC11572	112.05
	AHC18283	308277-		N-N-10,14		90 mm	JD-AHC19979	81.82
Loaders - Wheel								
APPLICATION	CYL #	SERIAL #	Misc	CODE	ROD	BORE	KIT #	List \$
MODEL 244J								
BOOM LIFT	AT310186	-20477		N-N-10		80 mm	JD-AT313779	30.06
	LW8924653	20478-		I-BB-10	40 mm	80 mm	JD-LW10450034	177.99
BUCKET TILT	LW8924656	-20736		I-BB-1	40 mm		JD-AT313782	301.17
	LW8924656	20737-		I-BB-10	40 mm	80 mm	JD-LW10450034	177.99
STEERING	AT310407	-20606		I-BB-1	30 mm		JD-AT313783	68.35
	AT310407	-20606		N-N-10		70 mm	JD-AT313773	26.23
	LW8924660	20607-		I-BB-10	30 mm	70 mm	JD-LW10450066	129.80
WORKSITE PRO QUICK-TATCH	AH216525			I-U-10	20 mm	32 mm	JD-AH174428	78.80
MODEL 244K								
BOOM	LW8924653			I-BB-10	40 mm	80 mm	JD-LW10450034	177.99
BUCKET	LW8924656			I-BB-10	40 mm	80 mm	JD-LW10450034	177.99
STEERING	LW8924660			I-BB-10	30 mm	70 mm	JD-LW10450066	129.80
MODEL 444G								
Bucket	AT204102			P-U-10	60 mm	120 mm	JD-AT204236	272.07
Lift	AT204101			P-U-10	60 mm	120 mm	JD-AT164742	261.58
Steering	AT204032			P-U-10	35 mm	65 mm	JD-AT164758	126.34
MODEL 444H								
BOOM	AH152902	-570411		P-UB-1	56 mm		JD-AH149814	77.82
	AH152902	-570411		N-N-14		100 mm	JD-AH212101	106.57
	AH216284	Field Replacement		P-UB-1	56 mm		JD-AH149814	77.82
	AH216284	570412-		P-UB-1	56 mm		JD-AH149814	77.82
	AH216284	570412-		N-N-14		100 mm	JD-AH212101	106.57
	AH216284	Field Replacement		N-N-14		100 mm	JD-AH212101	106.57
BUCKET	AH174752	-577511 : 577512-		P-UB-1	63 mm		JD-AH149815	79.22
	AH174752	-577511 : 577512-		N-N-14		115 mm	JD-AH212103	157.90
STEERING	AH147585	-568518		I-UB-14	32 mm	56 mm	JD-AH153496	99.50
	AH205056	568519-		P-UB-1	32 mm		JD-AH161589	62.61
	AH205056	568519-		N-N-14		56 mm	JD-AH161591	78.79
MODEL 444H LL								
BOOM	AH149101	-570613		P-UB-1	63 mm		JD-AH149815	79.22
	AH149101	-570613		N-N-14		110 mm	JD-AH163670	101.76
	AT152715	570614-		P-UB-1	63 mm		JD-AH149815	79.22
	AT152715	570614-		N-N-14		110 mm	JD-AH163670	101.76
BUCKET	AH152715			P-UB-1	63 mm		JD-AH149815	79.22
	AH152715			N-N-14		100 mm	JD-AH212101	106.57
STEERING	AH147585			I-UB-14	32 mm	56 mm	JD-AH153496	99.50
	AH205056			P-UB-1	32 mm		JD-AH161589	62.61
	AH205056			N-N-14		56 mm	JD-AH161591	78.79
MODEL 444J								
BOOM (Powerllel™)	AH209498	611275-		P-UB-1	56 mm		JD-AH149814	77.82
	AH209498	-611274		P-UB-1	56 mm		JD-AH149814	77.82
	AH209498	611275-		N-N-14		100 mm	JD-AH212101	106.57
	AH209498	-611274		N-N-14		100 mm	JD-AH212101	106.57

LA - Long Arm LGP - Low Ground Pressure LT - Long Track MFWD - Mechanical Front Wheel Drive MP - Multi-Purpose
 IDM - Inside Dozer Mount ODM - Outside Dozer Mount SLF - Super Long Front STD - Straight Dozer WT - Wide Track

Replacement Kits For

JOHN DEERE®

JOHN DEERE®

Loaders - Wheel								
APPLICATION	CYL #	SERIAL #	Misc	CODE	ROD	BORE	KIT #	List \$
MODEL 444J								
BOOM (Tool Carrier)	AH163628	-611274		P-UB-1	63 mm		JD-AH149815	79.22
	AH163628	-611274		N-N-14		110 mm	JD-AH163670	101.76
BOOM (Z-Bar)	AH163627	-595722		P-UB-1	56 mm		JD-AH149814	77.82
	AH163627	-595722		N-N-14		100 mm	JD-AH212101	106.57
	AH216284	611275-		P-UB-1	56 mm		JD-AH149814	77.82
	AH216284	595723-		P-UB-1	56 mm		JD-AH149814	77.82
	AH216284	611275-		N-N-14		100 mm	JD-AH212101	106.57
	AH216284	595723-		N-N-14		100 mm	JD-AH212101	106.57
BUCKET	AH174752	611275-		P-UB-1	63 mm		JD-AH149815	79.22
	AH174752	-611274		P-UB-1	63 mm		JD-AH149815	79.22
	AH174752	611275-		N-N-14		115 mm	JD-AH212103	157.90
	AH174752	-611274		N-N-14		115 mm	JD-AH212103	157.90
BUCKET (Powerllel™)	AH154570	611275-		P-UB-1	75 mm		JD-AH154570	90.15
	AH154570	611275-		N-N-14		125 mm	JD-AH149848	222.45
	AH208164	-611274		P-UB-1	75 mm		JD-AH154570	90.15
	AH208164	-611274		N-N-14		125 mm	JD-AH149848	222.45
STEERING	AH205056	611275-		P-UB-1	32 mm		JD-AH161589	62.61
	AH205056	-611274		P-UB-1	32 mm		JD-AH161589	62.61
	AH205056	611275-		N-N-14		56 mm	JD-AH161591	78.79
	AH205056	-611274		N-N-14		56 mm	JD-AH161591	78.79
TILT (Tool Carrier)	AH152715	-611274		P-UB-1	63 mm		JD-AH149815	79.22
	AH152715	-611274		N-N-14		100 mm	JD-AH149844	111.98
MODEL 444K								
BOOM (Powerllel™)	AH209498	642101-		P-UB-1	56 mm		JD-AH149814	77.82
	AH209498			P-UB-1	56 mm		JD-AH149814	77.82
	AH209498	-642100		P-UB-1	56 mm		JD-AH149814	77.82
	AH209498	642101-		N-N-14		100 mm	JD-AH212101	106.57
	AH209498			N-N-14		100 mm	JD-AH212101	106.57
	AH209498	-642100		N-N-14		100 mm	JD-AH212101	106.57
BOOM (Z-Bar)	AH209498	-642100		P-UB-1	56 mm		JD-AH149814	77.82
	AH209498			P-UB-1	56 mm		JD-AH149814	77.82
	AH209498	642101-		P-UB-1	56 mm		JD-AH149814	77.82
	AH209498	-642100		N-N-14		100 mm	JD-AH212101	106.57
	AH209498			N-N-14		100 mm	JD-AH212101	106.57
	AH209498	642101-		N-N-14		100 mm	JD-AH212101	106.57
BUCKET (Powerllel™)	AH208164	-642100		P-UB-1	75 mm		JD-AH154570	90.15
	AH208164	642101-		P-UB-1	75 mm		JD-AH154570	90.15
	AH208164			P-UB-1	75 mm		JD-AH154570	90.15
	AH208164	642101-		N-N-14		125 mm	JD-AH149848	222.45
	AH208164			N-N-14		125 mm	JD-AH149848	222.45
	AH208164	-642100		N-N-14		125 mm	JD-AH149848	222.45
BUCKET (Z-Bar)	AH174752	642101-		P-UB-1	63 mm		JD-AH149815	79.22
	AH174752			P-UB-1	63 mm		JD-AH149815	79.22
	AH174752	-642100		P-UB-1	63 mm		JD-AH149815	79.22
	AH174752	642101-		N-N-14		115 mm	JD-AH212103	157.90
	AH174752	-642100		N-N-14		115 mm	JD-AH212103	157.90
	AH174752			N-N-14		115 mm	JD-AH212103	157.90
STEERING	AHC10900	642101-		P-UB-1	32 mm		JD-AH161589	62.61
	AHC10900			P-UB-1	32 mm		JD-AH161589	62.61
	AHC10900	-642100		P-UB-1	32 mm		JD-AH161589	62.61
	AHC10900	642101-		N-N-14		56 mm	JD-AH161591	78.79
	AHC10900	-642100		N-N-14		56 mm	JD-AH161591	78.79
	AHC10900			N-N-14		56 mm	JD-AH161591	78.79
MODEL 524K								
BOOM	AH227328	-642245		P-UB-1	63 mm		JD-AH149815	79.22

LA - Long Arm LGP - Low Ground Pressure LT - Long Track MFWD - Mechanical Front Wheel Drive MP - Multi-Purpose
 IDM - Inside Dozer Mount ODM - Outside Dozer Mount SLF - Super Long Front STD - Straight Dozer WT - Wide Track

FORMERLY LISTED REPAIR PARTS ARE AVAILABLE ONLINE AT WWW.HERCULESUS.COM
 OR BY CONTACTING YOUR REGIONAL HERCULES SALES TEAM.

Replacement Kits For

JOHN DEERE®

Loaders - Wheel								
APPLICATION	CYL #	SERIAL #	Misc	CODE	ROD	BORE	KIT #	List \$
MODEL 524K								
BOOM	AH227328	-642245		N-N-14		115 mm	JD-AH163671	142.10
BOOM (Z-Bar)	AH227921			P-UB-1	63 mm		JD-AH149815	79.22
	AH227921			N-N-14		120 mm	JD-AH149847	170.26
BUCKET	AH227329	-642245		P-UB-1	63 mm		JD-AH149815	79.22
	AH227329	-642245		N-N-14		115 mm	JD-AH212103	157.90
BUCKET (Z-Bar)	AH227921			P-UB-1	75 mm		JD-AH154570	90.15
	AH227921			N-N-14		125 mm	JD-AH149848	222.45
STEERING	AH227102	-642245		I,P-UB-1	40 mm		JD-AH149194	65.97
	AH227102			I,P-UB-1	40 mm		JD-AH149194	65.97
	AH227102			N-N-14		63 mm	JD-AH212087	119.64
	AH227102	-642245		N-N-14		63 mm	JD-AH212087	119.64
MODEL 544G								
BOOM				P-UB-1	63 mm		JD-RE25151	144.81
				N-N-14		125 mm	JD-AH137208	173.79
BUCKET				P-UB-1	63 mm		JD-RE25151	144.81
				N-N-14		140 mm	JD-AH137209	192.09
STEERING				P-UB-1	40 mm		JD-RE20433	76.06
				N-N-14		70 mm	JD-RE20428	56.39
MODEL 544H								
BOOM	AH147533	-570068		P-UB-1	63 mm		JD-AH149815	79.22
	AH147533	-570068		N-N-14		115 mm	JD-AH163671	142.10
	AH163629	570069-		P-UB-1	63 mm		JD-AH149815	79.22
	AH163629	570069-		N-N-14		115 mm	JD-AH163671	142.10
BUCKET	AH152676	-579834		P-UB-1	75 mm		JD-AH154570	90.15
	AH152676	-579834		N-N-14		125 mm	JD-AH149848	222.45
	AH172986	579835-		P-UB-1	75 mm		JD-AH154570	90.15
	AH172986	579835-		N-N-14		125 mm	JD-AH149848	222.45
STEERING	AH147586	-568522		P-UB-14	40 mm	63 mm	JD-AH153497	171.52
	AH160118	568523-589817		I,P-UB-1	40 mm		JD-AH149194	65.97
	AH160118	568523-589817		N-N-14		63 mm	JD-AH212087	119.64
	AH211379	589818-		I,P-UB-1	40 mm		JD-AH149194	65.97
	AH211379	589818-		N-N-14		63 mm	JD-AH212087	119.64
MODEL 544H LL								
BOOM	AH147533	-570068		P-UB-1	63 mm		JD-AH149815	79.22
	AH147533	-570068		N-N-14		115 mm	JD-AH163671	142.10
	AH163629	570069-		P-UB-1	63 mm		JD-AH149815	79.22
	AH163629	570069-		N-N-14		115 mm	JD-AH163671	142.10
BUCKET	AH153921	All		P-UB-1	70 mm		JD-AH156466	71.41
	AH153921	All		N-N-14		110 mm	JD-AH149845	141.24
STEERING	AH147586	-568522		P-UB-14	40 mm	63 mm	JD-AH153497	171.52
	AH160118	568523-589817		I,P-UB-1	40 mm		JD-AH149194	65.97
	AH160118	568523-589817		N-N-14		63 mm	JD-AH212087	119.64
	AH211379	589818-		I,P-UB-1	40 mm		JD-AH149194	65.97
AH211379	589818-		N-N-14		63 mm	JD-AH212087	119.64	
MODEL 544J								
BOOM	AH206281	-611799 ; 611800-		P-UB-1	63 mm		JD-AH149815	79.22
	AH206281	-611799 ; 611800-		N-N-14		120 mm	JD-AH149847	170.26
BOOM (Powerllel™)	AH208215	-611799 ; 611800-		P-UB-1	63 mm		JD-AH149815	79.22
	AH208215	-611799 ; 611800-		N-N-14		115 mm	JD-AH163671	142.10
BOOM (Tool Carrier)	AH163629	-611799		P-UB-1	63 mm		JD-AH149815	79.22
	AH163629	-611799		N-N-14		115 mm	JD-AH163671	142.10
BUCKET	AH172986	-611799 ; 611800-		P-UB-1	75 mm		JD-AH154570	90.15
	AH172986	-611799 ; 611800-		N-N-14		125 mm	JD-AH149848	222.45
BUCKET (Powerllel™)	AH225345	-611799 ; 611800-		P-UB-1	80 mm		JD-AH156874	153.30
	AH225345	-611799 ; 611800-		N-N-14		140 mm	JD-AH216299	197.82

LA - Long Arm LGP - Low Ground Pressure LT - Long Track MFWD - Mechanical Front Wheel Drive MP - Multi-Purpose
 IDM - Inside Dozer Mount ODM - Outside Dozer Mount SLF - Super Long Front STD - Straight Dozer WT - Wide Track

Replacement Kits For

JOHN DEERE®

JOHN DEERE®

Loaders - Wheel								
APPLICATION	CYL #	SERIAL #	Misc	CODE	ROD	BORE	KIT #	List \$
MODEL 544J								
STEERING	AH211379	-611799 ; 611800-		I,P-UB-1	40 mm		JD-AH149194	65.97
	AH211379	-611799 ; 611800-		N-N-14		63 mm	JD-AH212087	119.64
MODEL 544K								
BOOM	AH208215			P-UB-1	63 mm		JD-AH149815	79.22
	AH208215			N-N-14		115 mm	JD-AH163671	142.10
	AH227921			P-UB-1	63 mm		JD-AH149815	79.22
	AH227921			N-N-14		120 mm	JD-AH149847	170.26
BUCKET	AH225345	-637006		P-UB-1	80 mm		JD-AH156874	153.30
	AH225345	-637006		N-N-14		140 mm	JD-AH216299	197.82
	AH227099			P-UB-1	75 mm		JD-AH154570	90.15
	AH227099			N-N-14		125 mm	JD-AH149848	222.45
	AHC10102	637007-		P-UB-1	80 mm		JD-AH156874	153.30
	AHC10102	637007-		N-N-14		140 mm	JD-AH216299	197.82
HI-VIS COUPLER	AH222122			I-U-1	32 mm		JD-AH148823	54.99
	AH222122			N-N-10		63 mm	JD-AH212088	17.67
STEERING	AH227102			I,P-UB-1	40 mm		JD-AH149194	65.97
	AH227102			N-N-14		63 mm	JD-AH212087	119.64
MODEL 624E, 624G								
BOOM	AH136535	All		P-UB-1	63 mm		JD-RE25151	144.81
	AH136535	All		N-N-14		140 mm	JD-AH137209	192.09
BUCKET	AH136542	All		P-UB-1	80 mm		JD-RE25152	211.97
	AH136542	All		N-N-14		160 mm	JD-AH137210	167.42
STEERING	RE36926	All		P-UB-1	45 mm		JD-RE20434	76.53
	RE36926	All		N-N-14		80 mm	JD-RE31138	70.69
MODEL 624H								
BOOM	AH156875	-570361		N-N-14		125 mm	JD-AH163672	151.74
	AH163630	570362-		N-N-14		125 mm	JD-AH163672	151.74
	AT311670			P-UB-1	63 mm		JD-AH149815	79.22
	AT311670			N-N-14		125 mm	JD-AH163672	151.74
BOOM (Tool Carrier & Log Loader)	AH154122	-570463		N-N-14		125 mm	JD-AH163672	151.74
	AH163631	570464-		N-N-14		125 mm	JD-AH163672	151.74
BUCKET				P-UB-1	80 mm		JD-AH156874	153.30
		582051-		N-N-14		140 mm	JD-AH216299	197.82
		-582050		N-N-14		140 mm	JD-AH137209	192.09
	AH210133			P-UB-1	80 mm		JD-AH156874	153.30
	AH210133			N-N-14		140 mm	JD-AH137209	192.09
	AT311652	-582050		P-UB-1	80 mm		JD-AH156874	153.30
	AT311652	-582050		N-N-14		140 mm	JD-AH137209	192.09
STEERING	AH212033			I,P-UB-1	40 mm		JD-AH149194	65.97
	AH212033			N-N-14		70 mm	JD-AH212089	49.69
MODEL 624J								
BOOM	AH163630	611797-		P-UB-1	63 mm		JD-AH149815	79.22
	AH163630	-611796		P-UB-1	63 mm		JD-AH149815	79.22
	AH163630	611797-		N-N-14		125 mm	JD-AH163672	151.74
	AH163630	-611796		N-N-14		125 mm	JD-AH163672	151.74
	AH163631	-611796		P-UB-1	63 mm		JD-AH149815	79.22
BOOM (Powerllel™)	AH208687	-611796		P-UB-1	63 mm		JD-AH149815	79.22
	AH208687	611797-		P-UB-1	63 mm		JD-AH149815	79.22
	AH208687	611797-		N-N-14		125 mm	JD-AH149848	222.45
	AH208687	-611796		N-N-14		125 mm	JD-AH149848	222.45
BOOM (Tool Carrier)	AH163631	-611796		P-UB-1	63 mm		JD-AH149815	79.22
	AH163631			N-N-14		125 mm	JD-AH163672	151.74
BUCKET	AH225343	611797-		P-UB-1	80 mm		JD-AH156874	153.30
	AH225343	-611796		P-UB-1	80 mm		JD-AH156874	153.30

LA - Long Arm LGP - Low Ground Pressure LT - Long Track MFWD - Mechanical Front Wheel Drive MP - Multi-Purpose
 IDM - Inside Dozer Mount ODM - Outside Dozer Mount SLF - Super Long Front STD - Straight Dozer WT - Wide Track

FORMERLY LISTED REPAIR PARTS ARE AVAILABLE ONLINE AT WWW.HERCULESUS.COM
 OR BY CONTACTING YOUR REGIONAL HERCULES SALES TEAM.

Replacement Kits For

JOHN DEERE®

Loaders - Wheel								
APPLICATION	CYL #	SERIAL #	Misc	CODE	ROD	BORE	KIT #	List \$
MODEL 624J								
BUCKET	AH225343	611797-		N-N-14		140 mm	JD-AH216299	197.82
BUCKET (Powerllel™)	AH225717	611797-		P-UB-1	95 mm		JD-AH159192	210.49
	AH225717	-611796		P-UB-1	95 mm		JD-AH159192	210.49
	AH225717	611797-		N-N-14		160 mm	JD-AH137210	167.42
	AH225717	-611796		N-N-14		160 mm	JD-AH137210	167.42
STEERING	AH212033	-611796		I,P-UB-1	40 mm		JD-AH149194	65.97
	AH212033	611797-		I,P-UB-1	40 mm		JD-AH149194	65.97
	AH212033	-611796		N-N-14		70 mm	JD-AH212089	49.69
	AH212033	611797-		N-N-14		70 mm	JD-AH212089	49.69
TILT	AH154123	-611796		P-UB-1	70 mm		JD-AH156466	71.41
	AH154123	-611796		N-N-14		115 mm	JD-AH212103	157.90
TILT (Tool Carrier)	AH154123	-611796		P-UB-1	70 mm		JD-AH156466	71.41
	AH154123	-611796		N-N-14		115 mm	JD-AH212103	157.90
MODEL 624K								
BOOM (Powerllel™)	AH227925			P-UB-1	63 mm		JD-AH149815	79.22
	AH227925			N-N-14		125 mm	JD-AH163672	151.74
BOOM (Tool Carrier)	AHC10215			P-UB-1	63 mm		JD-AH149815	79.22
	AHC10215			N-N-14		125 mm	JD-AH163672	151.74
BOOM (Z-Bar)	AH227925			P-UB-1	63 mm		JD-AH149815	79.22
	AH227925			N-N-14		125 mm	JD-AH163672	151.74
BUCKET (Powerllel™)	AHC10103	637330-		P-UB-1	95 mm		JD-AH159192	210.49
	AHC10103	637330-		N-N-14		160 mm	JD-AH234795	114.78
BUCKET (Tool Carrier)	AHC10214			P-UB-1	70 mm		JD-AH156466	71.41
	AHC10214			N-N-14		115 mm	JD-AH212103	157.90
BUCKET (Z-Bar)	AHC10101	637110-		P-UB-1	80 mm		JD-AH156874	153.30
	AHC10101	637110-		N-N-14		140 mm	JD-AH216299	197.82
STEERING	AH227114			I,P-UB-1	40 mm		JD-AH149194	65.97
	AH227114			N-N-14		70 mm	JD-AH212089	49.69
MODEL 624KR								
BOOM	AH163631			P-UB-1	63 mm		JD-AH149815	79.22
	AH163631			N-N-14		125 mm	JD-AH163672	151.74
BUCKET	AH154123			P-UB-1	70 mm		JD-AH156466	71.41
	AH154123			N-N-14		115 mm	JD-AH212103	157.90
STEERING	AH227114			I,P-UB-1	40 mm		JD-AH149194	65.97
	AH227114			N-N-14		70 mm	JD-AH212089	49.69
MODEL 644G								
BOOM	AH139265			P-UB-1	80 mm		JD-RE25152	211.97
	AH139265			N-N-14		160 mm	JD-AH137210	167.42
BUCKET	AH139266			P-UB-1	80 mm		JD-RE25152	211.97
	AH139266			N-N-14		180 mm	JD-AH137211	170.34
LOADER BOOM LIFT	AH139265	All		P-UB-1	80 mm		JD-RE25152	211.97
	AH139265	All		N-N-14		160 mm	JD-AH137210	167.42
LOADER BUCKET TILT	AH139266	All		P-UB-1	80 mm		JD-RE25152	211.97
	AH139266	All		N-N-14		180 mm	JD-AH137211	170.34
STEERING	AH150098	All		I,P-UB-1	45 mm		JD-AH149813	79.07
	AH150098	All		N-N-14		90 mm	JD-AH149843	88.71
	RE24865	All		P-UB-1	45 mm		JD-RE20434	76.53
	RE24865	All		N-N-14		90 mm	JD-AH149843	88.71
MODEL 644H								
BOOM	AH225288	-570486		P-UB-1	70 mm		JD-AH156466	71.41
	AH225288			P-UB-1	70 mm		JD-AH156466	71.41
	AH225288	589875-		P-UB-1	70 mm		JD-AH156466	71.41
	AH225288	570487-589874		P-UB-1	70 mm		JD-AH156466	71.41
	AH225288	589875-		N-N-14		140 mm	JD-AH163673	175.40
	AH225288	570487-589874		N-N-14		140 mm	JD-AH163673	175.40

LA - Long Arm LGP - Low Ground Pressure LT - Long Track MFWD - Mechanical Front Wheel Drive MP - Multi-Purpose
 IDM - Inside Dozer Mount ODM - Outside Dozer Mount SLF - Super Long Front STD - Straight Dozer WT - Wide Track

Replacement Kits For

JOHN DEERE®

Loaders - Wheel								
APPLICATION	CYL #	SERIAL #	Misc	CODE	ROD	BORE	KIT #	List \$
MODEL 644H								
BOOM	AH225288			N-N-14		140 mm	JD-AH163673	175.40
	AH225288	-570486		N-N-14		140 mm	JD-AH163673	175.40
	AT311653	-570486		P-UB-1	70 mm		JD-AH156466	71.41
	AT311653	570487-589874		P-UB-1	70 mm		JD-AH156466	71.41
	AT311653	589875-		P-UB-1	70 mm		JD-AH156466	71.41
	AT311653	589875-		N-N-14		140 mm	JD-AH163673	175.40
	AT311653	570487-589874		N-N-14		140 mm	JD-AH163673	175.40
BUCKET	AT311653	-570486		N-N-14		140 mm	JD-AH163673	175.40
	AH225288	-589893		P-UB-1	95 mm		JD-AH159192	210.49
	AH225288	-589893		N-N-14		160 mm	JD-AH137210	167.42
	AH225719	589894-		P-UB-1	95 mm		JD-AH159192	210.49
	AH225719			N-N-14		160 mm	JD-AH137210	167.42
	AH225719	589894-		N-N-14		160 mm	JD-AH137210	167.42
	AT311654			P-UB-1	95 mm		JD-AH159192	210.49
STEERING	AT311654			N-N-14		160 mm	JD-AH137210	167.42
	AH150468			N-N-14		80 mm	JD-AH212091	112.58
	AH211112			I,P-UB-1	45 mm		JD-AH149813	79.07
MODEL 644J								
LOADER BOOM	AH225288	-611231		P-UB-1	70 mm		JD-AH156466	71.41
	AH225288	-611231		N-N-14		140 mm	JD-AH163673	175.40
LOADER BUCKET	AH225719	611232-		P-UB-1	95 mm		JD-AH159192	210.49
	AH225719	611232-		N-N-14		160 mm	JD-AH137210	167.42
	AH225719	-611231		N-N-14		160 mm	JD-AH137210	167.42
STEERING	AH211112	-611231		I,P-UB-1	45 mm		JD-AH149813	79.07
	AH211112	611232-		I,P-UB-1	45 mm		JD-AH149813	79.07
	AH211112	611232-		N-N-14		80 mm	JD-AH212091	112.58
	AH211112	-611231		N-N-14		80 mm	JD-AH212091	112.58
MODEL 644K								
BOOM (PowerllelTM)		-625967		P-UB-1	70 mm		JD-AH156466	71.41
		-625967		N-N-14		140 mm	JD-AH163673	175.40
	AH230320	625968-		P-UB-1	70 mm		JD-AH156466	71.41
	AH230320	625968-		N-N-14		140 mm	JD-AH234770	161.56
BOOM (Z-Bar)		-625967		P-UB-1	70 mm		JD-AH156466	71.41
		-625967		N-N-14		140 mm	JD-AH163673	175.40
	AH230320	625968-		P-UB-1	70 mm		JD-AH156466	71.41
	AH230320	625968-		N-N-14		140 mm	JD-AH234770	161.56
BUCKET (PowerllelTM)	AH226721			P-UB-1	95 mm		JD-AH159192	210.49
	AH226721			N-N-14		180 mm	JD-AH137211	170.34
BUCKET (Z-Bar)	AHC10205	-627885		P-UB-1	95 mm		JD-AH159192	210.49
	AHC10205	627886-		P-UB-1	95 mm		JD-AH159192	210.49
	AHC10205	-627885		N-N-14		160 mm	JD-AH137210	167.42
	AHC10205	627886-		N-N-14		160 mm	JD-AH234795	114.78
STEERING	AH227132	-632197		I,P-UB-1	45 mm		JD-AH149813	79.07
	AH227132	-632197		N-N-14		80 mm	JD-AH212091	112.58
	AHC10913	632198-		I,P-UB-1	45 mm		JD-AHC11572	112.05
	AHC10913	632198-		N-N-14		80 mm	JD-AH212091	112.58
MODEL 724J								
BOOM	AH227117	-611218		P-UB-1	70 mm		JD-AH156466	71.41
	AH227117	611219-		P-UB-1	70 mm		JD-AH156466	71.41
	AH227117	-618145		P-UB-1	70 mm		JD-AH156466	71.41
	AH227117	618146-		P-UB-1	70 mm		JD-AH156466	71.41
	AH227117	-618145		N-N-14		140 mm	JD-AH163673	175.40
	AH227117	611219-		N-N-14		140 mm	JD-AH163673	175.40
	AH227117	618146-		N-N-14		140 mm	JD-AH163673	175.40
	AH227117	-611218		N-N-14		140 mm	JD-AH163673	175.40

LA - Long Arm LGP - Low Ground Pressure LT - Long Track MFWD - Mechanical Front Wheel Drive MP - Multi-Purpose
 IDM - Inside Dozer Mount ODM - Outside Dozer Mount SLF - Super Long Front STD - Straight Dozer WT - Wide Track

FORMERLY LISTED REPAIR PARTS ARE AVAILABLE ONLINE AT WWW.HERCULESUS.COM
 OR BY CONTACTING YOUR REGIONAL HERCULES SALES TEAM.

Replacement Kits For

JOHN DEERE®

Loaders - Wheel								
APPLICATION	CYL #	SERIAL #	Misc	CODE	ROD	BORE	KIT #	List \$
MODEL 724J								
BUCKET	AH210183			P-UB-1	95 mm		JD-AH159192	210.49
	AH210183			N-N-14		160 mm	JD-AH137210	167.42
	AHC10205	618146-		P-UB-1	95 mm		JD-AH159192	210.49
	AHC10205	-618145		P-UB-1	95 mm		JD-AH159192	210.49
	AHC10205	618146-		N-N-14		160 mm	JD-AH137210	167.42
	AHC10205	-618145		N-N-14		160 mm	JD-AH137210	167.42
STEERING	AH150468			I,P-UB-1	45 mm		JD-AH149813	79.07
	AH150468			N-N-14		80 mm	JD-AH212091	112.58
	AH227132	-618145		N-N-14		80 mm	JD-AH212091	112.58
	AH227132	618146-		I,P-UB-1	45 mm		JD-AH149813	79.07
AH227132	618146-		N-N-14		80 mm	JD-AH212091	112.58	
MODEL 724K								
BOOM (Z-Bar)	AH227926	- 641522		P-UB-1	70 mm		JD-AH156466	71.41
	AH227926	- 641522		N-N-14		140 mm	JD-AH163673	175.40
	AH230320	-658296		P-UB-1	70 mm		JD-AH156466	71.41
	AH230320	-658296		N-N-14		140 mm	JD-AH234770	161.56
	AHC14247			P-UB-1	70 mm		JD-AH156466	71.41
	AHC14247			PK-N-N-14		140 mm	JD-AHC15497	60.25
BUCKET (Z-Bar)	AHC10205	627886-658296		P-UB-1	95 mm		JD-AH159192	210.49
	AHC10205	-627885		N-N-14		160 mm	JD-AH137210	167.42
	AHC10205	627886-658296		N-N-14		160 mm	JD-AH234795	114.78
	AHC14246			P-UB-1	95 mm		JD-AH159192	210.49
AHC14246			N-N-14		160 mm	JD-AH137210	167.42	
STEERING	AH227132	-658296		I,P-UB-1	45 mm		JD-AH149813	79.07
	AH227132	-658296		N-N-14		80 mm	JD-AH212091	112.58
	AHC10913	-658296		I,P-UB-1	45 mm		JD-AHC11572	112.05
	AHC10913	-658296		N-N-14		80 mm	JD-AH212091	112.58
	AHC13890			I,P-UB-1	45 mm		JD-AHC11572	112.05
	AHC13890			N-N-14		80 mm	JD-AH212091	112.58
MODEL 744E								
LOADER BOOM LIFT	AT137814	All		P-UB-10	95 mm	170 mm	JD-AT138138	369.08
	AT161735	All		P-UB-10	95 mm	170 mm	JD-AT138138	369.08
LOADER BUCKET TILT	AT137796	All		P-UB-10	100 mm	200 mm	JD-AT138137	466.65
STEERING	AT137406	All		P-UB-10	50 mm	100 mm	JD-AT138119	215.03
	AT158546	All		P-UB-10	50 mm	100 mm	JD-AT138119	215.03
MODEL 744H								
BOOM	AH153813	-582317		P-UB-1	95 mm		JD-AH151382	185.81
	AH153813	-582317		N-N-14		180 mm	JD-AH137211	170.34
	AH175186	582318-		P-UB-1	95 mm		JD-AH159192	210.49
	AH175186	582318-		N-N-14		180 mm	JD-AH137211	170.34
	AT311655			P-UB-1	95 mm		JD-AH159192	210.49
	AT311655			N-N-14		180 mm	JD-AH137211	170.34
BUCKET	AT311656	575056-		P-UB-1	100 mm		JD-AH151321	228.02
	AT311656			P-UB-1	115 mm		JD-AH207243	219.25
	AT311656			N-N-14		200 mm	JD-AH151320	245.58
	AT311656	575056-		N-N-14		200 mm	JD-AH151320	245.58
	AT311657			P-UB-1	115 mm		JD-AH207243	219.25
	AT311657			N-N-14		200 mm	JD-AH151320	245.58
STEERING	AH148443			I,P-UB-1	45 mm		JD-AH149813	79.07
	AH148443			N-N-14		90 mm	JD-AH212096	88.71
MODEL 744J								
BOOM	AH222725	612700-		P-UB-1	95 mm		JD-AH159192	210.49
	AH222725	-590125		P-UB-1	95 mm		JD-AH159192	210.49
	AH222725	XXXXX-612699		P-UB-1	95 mm		JD-AH159192	210.49
	AH222725	-590125		N-N-14		180 mm	JD-AH137211	170.34

LA - Long Arm LGP - Low Ground Pressure LT - Long Track MFWD - Mechanical Front Wheel Drive MP - Multi-Purpose
 IDM - Inside Dozer Mount ODM - Outside Dozer Mount SLF - Super Long Front STD - Straight Dozer WT - Wide Track

Replacement Kits For

JOHN DEERE®

Loaders - Wheel								
APPLICATION	CYL #	SERIAL #	Misc	CODE	ROD	BORE	KIT #	List \$
MODEL 744J								
BOOM	AH222725	612700-		N-N-14		180 mm	JD-AH137211	170.34
	AH222725	XXXXX-612699		N-N-14		180 mm	JD-AH137211	170.34
BUCKET	AH222726	595693-612700		P-UB-1	115 mm		JD-AH207243	219.25
	AH222726	595693-612700		N-N-14		200 mm	JD-AH151320	245.58
STEERING	AH222727	612700-		I,P-UB-1	45 mm		JD-AH149813	79.07
	AH222727	-612699		I,P-UB-1	45 mm		JD-AH149813	79.07
	AH222727	612700-		N-N-14		90 mm	JD-AH212096	88.71
AH222727	-612699		N-N-14		90 mm	JD-AH212096	88.71	
MODEL 744K								
BOOM	AH222725	- 632967		P-UB-1	95 mm		JD-AH159192	210.49
	AH222725	- 632967		N-N-14		180 mm	JD-AH137211	170.34
BUCKET	AH222726	- 632967		P-UB-1	115 mm		JD-AH207243	219.25
	AH222726	- 632967		N-N-14		200 mm	JD-AH151320	245.58
STEERING	AH222727	- 632967		I,P-UB-1	45 mm		JD-AH149813	79.07
	AH222727	- 632967		N-N-14		90 mm	JD-AH212096	88.71
MODEL 824J								
BOOM	AH222725	612711-		P-UB-1	95 mm		JD-AH159192	210.49
	AH222725	XXXXXX-612710		P-UB-1	95 mm		JD-AH159192	210.49
	AH222725			P-UB-1	95 mm		JD-AH159192	210.49
	AH222725	XXXXXX-612710		N-N-14		180 mm	JD-AH137211	170.34
	AH222725			N-N-14		180 mm	JD-AH137211	170.34
STEERING	AH222725	612711-		N-N-14		180 mm	JD-AH137211	170.34
		-612710		I,P-UB-1	45 mm		JD-AH149813	79.07
		-612710		N-N-14		90 mm	JD-AH212096	88.71
	AH222727	612711-		I,P-UB-1	45 mm		JD-AH149813	79.07
AH222727	612711-		N-N-14		90 mm	JD-AH212096	88.71	
MODEL 824K								
BOOM	AH222725	- 641969		P-UB-1	95 mm		JD-AH159192	210.49
	AH222725	- 641969		N-N-14		180 mm	JD-AH137211	170.34
BOOM (LH)	AHC13904	Series II		RK-P-UB-1	95 mm		JD-AHC16728	145.60
	AHC13904	Series II/Tier 3		RK-P-UB-1	95 mm		JD-AHC16728	145.60
	AHC13904	Series II/Tier 3		N-N-14		180 mm	JD-AH137211	170.34
	AHC13904	Series II		N-N-14		180 mm	JD-AH137211	170.34
BOOM (RH)	AHC13908	Series II		RK-P-UB-1	95 mm		JD-AHC16728	145.60
	AHC13908	Series II/Tier 3		RK-P-UB-1	95 mm		JD-AHC16728	145.60
	AHC13908	Series II/Tier 3		N-N-14		180 mm	JD-AH137211	170.34
	AHC13908	Series II		N-N-14		180 mm	JD-AH137211	170.34
BUCKET	AH222726	Series II/Tier 3		P-UB-1	115 mm		JD-AH207243	219.25
	AH222726	Series II		P-UB-1	115 mm		JD-AH207243	219.25
	AH222726	- 641969		P-UB-1	115 mm		JD-AH207243	219.25
	AH222726	Series II/Tier 3		N-N-14		200 mm	JD-AH151320	245.58
	AH222726	- 641969		N-N-14		200 mm	JD-AH151320	245.58
	AH222726	Series II		N-N-14		200 mm	JD-AH151320	245.58
STEERING	AH222727	- 641969		I,P-UB-1	45 mm		JD-AH149813	79.07
	AH222727	- 641969		N-N-14		90 mm	JD-AH212096	88.71
	AHC10917	Series II		I,P-UB-1	45 mm		JD-AHC11572	112.05
	AHC10917	Series II/Tier 3		I,P-UB-1	45 mm		JD-AHC11572	112.05
	AHC10917	Series II/Tier 3		N-N-14		90 mm	JD-AH212096	88.71
	AHC10917	Series II		N-N-14		90 mm	JD-AH212096	88.71
MODEL 844K								
BOOM	AH222733	- 664095 Series II		P-UB-1	115 mm		JD-AH207243	219.25
	AH222733	- 642007		P-UB-1	115 mm		JD-AH207243	219.25
	AH222733	- 664097 Series II		P-UB-1	115 mm		JD-AH207243	219.25
	AH222733	Series II/Tier 3		P-UB-1	115 mm		JD-AH207243	219.25
	AH222733	Series II		P-UB-1	115 mm		JD-AH207243	219.25

LA - Long Arm LGP - Low Ground Pressure LT - Long Track MFWD - Mechanical Front Wheel Drive MP - Multi-Purpose
 IDM - Inside Dozer Mount ODM - Outside Dozer Mount SLF - Super Long Front STD - Straight Dozer WT - Wide Track

FORMERLY LISTED REPAIR PARTS ARE AVAILABLE ONLINE AT WWW.HERCULESUS.COM
 OR BY CONTACTING YOUR REGIONAL HERCULES SALES TEAM.

JOHN DEERE®

Replacement Kits For

JOHN DEERE®

Loaders - Wheel									
APPLICATION	CYL #	SERIAL #	Misc	CODE	ROD	BORE	KIT #	List \$	
MODEL 844K									
BOOM	AH222733	- 664095 Series II		N-N-14		200 mm	JD-AH151320	245.58	
	AH222733	Series II/Tier 3		N-N-14		200 mm	JD-AH151320	245.58	
	AH222733	Series II		N-N-14		200 mm	JD-AH151320	245.58	
	AH222733	- 642007		N-N-14		200 mm	JD-AH151320	245.58	
BUCKET (LH)	AH222735	- 664097 Series II		N-N-14		200 mm	JD-AH151320	245.58	
	AH222735	- 642007		P-UB-1	95 mm		JD-AH159192	210.49	
	AH222735	- 642007		N-N-14		160 mm	JD-AH137210	167.42	
	AHC10722	- 664095 Series II		P-UB-1	95 mm		JD-AH159192	210.49	
	AHC10722	- 664097 Series II		P-UB-1	95 mm		JD-AH159192	210.49	
	AHC10722	Series II/Tier 3		P-UB-1	95 mm		JD-AH159192	210.49	
	AHC10722	Series II		P-UB-1	95 mm		JD-AH159192	210.49	
	AHC10722	- 664095 Series II		N-N-14		160 mm	JD-AH137210	167.42	
	AHC10722	Series II		N-N-14		160 mm	JD-AH137210	167.42	
	AHC10722	- 664097 Series II		N-N-14		160 mm	JD-AH137210	167.42	
BUCKET (RH)	AH222734	- 642007		N-N-14		160 mm	JD-AH137210	167.42	
	AH222734	- 642007		P-UB-1	95 mm		JD-AH159192	210.49	
	AHC10721	Series II/Tier 3		P-UB-1	95 mm		JD-AH159192	210.49	
	AHC10721	Series II		P-UB-1	95 mm		JD-AH159192	210.49	
	AHC10721	- 664097 Series II		P-UB-1	95 mm		JD-AH159192	210.49	
	AHC10721	- 664095 Series II		P-UB-1	95 mm		JD-AH159192	210.49	
	AHC10721	Series II		N-N-14		160 mm	JD-AH137210	167.42	
	AHC10721	- 664097 Series II		N-N-14		160 mm	JD-AH137210	167.42	
	AHC10721	Series II/Tier 3		N-N-14		160 mm	JD-AH137210	167.42	
	AHC10721	- 664095 Series II		N-N-14		160 mm	JD-AH137210	167.42	
STEERING (LH)	AH222737	- 642007		P-UB-1	56 mm		JD-AH149814	77.82	
	AH222737	- 664095 Series II		P-UB-1	56 mm		JD-AH149814	77.82	
	AH222737	- 664095 Series II		N-N-14		100 mm	JD-AH212101	106.57	
	AH222737	- 642007		N-N-14		100 mm	JD-AH212101	106.57	
	AHC10928	- 664095 Series II		RK-P-UB-1	56 mm		JD-AHC16683	71.97	
	AHC10928	- 664097 Series II		RK-P-UB-1	56 mm		JD-AHC16683	71.97	
	AHC10928	Series II		RK-P-UB-1	56 mm		JD-AHC16683	71.97	
	AHC10928	Series II/Tier 3		RK-P-UB-1	56 mm		JD-AHC16683	71.97	
	AHC10928	- 664095 Series II		N-N-14		100 mm	JD-AH212101	106.57	
	AHC10928	- 664097 Series II		N-N-14		100 mm	JD-AH212101	106.57	
	AHC10928	Series II		N-N-14		100 mm	JD-AH212101	106.57	
	AHC10928	Series II/Tier 3		N-N-14		100 mm	JD-AH212101	106.57	
	STEERING (RH)	AH222736	- 664095 Series II		P-UB-1	56 mm		JD-AH149814	77.82
		AH222736	- 642007		P-UB-1	56 mm		JD-AH149814	77.82
AH222736		- 642007		N-N-14		100 mm	JD-AH212101	106.57	
AH222736		- 664095 Series II		N-N-14		100 mm	JD-AH212101	106.57	
AHC10921		- 664097 Series II		RK-P-UB-1	56 mm		JD-AHC16683	71.97	
AHC10921		- 664095 Series II		RK-P-UB-1	56 mm		JD-AHC16683	71.97	
AHC10921		Series II		RK-P-UB-1	56 mm		JD-AHC16683	71.97	
AHC10921		Series II/Tier 3		RK-P-UB-1	56 mm		JD-AHC16683	71.97	
AHC10921		- 664097 Series II		N-N-14		100 mm	JD-AH212101	106.57	
AHC10921		- 664095 Series II		N-N-14		100 mm	JD-AH212101	106.57	
AHC10921		Series II		N-N-14		100 mm	JD-AH212101	106.57	
AHC10921		Series II/Tier 3		N-N-14		100 mm	JD-AH212101	106.57	
MODEL TC44H									
BOOM	AH149101	-570613		P-UB-1	63 mm		JD-AH149815	79.22	
	AH149101	-570613		N-N-14		110 mm	JD-AH163670	101.76	
	AT152715	570614-		P-UB-1	63 mm		JD-AH149815	79.22	
	AT152715	570614-		N-N-14		110 mm	JD-AH163670	101.76	
BUCKET	AH152715			P-UB-1	63 mm		JD-AH149815	79.22	

LA - Long Arm LGP - Low Ground Pressure LT - Long Track MFWD - Mechanical Front Wheel Drive MP - Multi-Purpose
 IDM - Inside Dozer Mount ODM - Outside Dozer Mount SLF - Super Long Front STD - Straight Dozer WT - Wide Track

Replacement Kits For

JOHN DEERE®

Loaders - Wheel								
APPLICATION	CYL #	SERIAL #	Misc	CODE	ROD	BORE	KIT #	List \$
MODEL TC44H								
BUCKET	AH152715			N-N-14		100 mm	JD-AH212101	106.57
STEERING	AH147585			I-UB-14	32 mm	56 mm	JD-AH153496	99.50
	AH205056			P-UB-1	32 mm		JD-AH161589	62.61
	AH205056			N-N-14		56 mm	JD-AH161591	78.79
MODEL TC54H								
BOOM	AH147533	-570068		P-UB-1	63 mm		JD-AH149815	79.22
	AH147533	-570068		N-N-14		115 mm	JD-AH163671	142.10
	AH163629	570069-		P-UB-1	63 mm		JD-AH149815	79.22
	AH163629	570069-		N-N-14		115 mm	JD-AH163671	142.10
BUCKET	AH153921	All		P-UB-1	70 mm		JD-AH156466	71.41
	AH153921	All		N-N-14		110 mm	JD-AH149845	141.24
STEERING	AH147586	-568522		P-UB-14	40 mm	63 mm	JD-AH153497	171.52
	AH160118	568523-589817		I,P-UB-1	40 mm		JD-AH149194	65.97
	AH160118	568523-589817		N-N-14		63 mm	JD-AH212087	119.64
	AH211379	589818-		I,P-UB-1	40 mm		JD-AH149194	65.97
	AH211379	589818-		N-N-14		63 mm	JD-AH212087	119.64
Motor Graders								
APPLICATION	CYL #	SERIAL #	Misc	CODE	ROD	BORE	KIT #	List \$
MODEL 570, 570A								
BLADE LIFT		All		P-V-8	1-3/4	3	JD-RE18751	48.69
BLADE PITCH		All		P-V-8	1-1/4	2-1/2	JD-AR105453	47.45
BLADE SIDESHIFT		All		P-V-8	1-1/2	2-1/2	JD-RE19217	40.05
CIRCLE SIDESHIFT		All		P-V-8	1-3/4	3	JD-RE18751	48.69
SCARIFIER & SNOW PLOW LIFT		All		P-V-8	1-3/4	4	JD-RE10223	53.05
STEERING (Rear)		All		P-V-8	1-1/4	3	JD-AR105454	50.93
WHEEL LEAN		All		P-V-8	1-1/4	3	JD-AR105454	50.93
MODEL 570B								
BLADE LIFT	AH135057	539848-		P-UB-1	45 mm		JD-RE20434	76.53
	AH135057	539848-		N-N-14		80 mm	JD-AH212091	112.58
	AH150078	539848-		I,P-UB-1	45 mm		JD-AH149813	79.07
	AH150078	539848-		N-N-14		80 mm	JD-AH212091	112.58
	AH219877	-540925		I,P-UB-1	40 mm		JD-AH149194	65.97
	AH219877	-540925		N-N-10		63 mm	JD-AH212088	17.67
	AU43106	-515648		P-V-8	1-3/4	3	JD-RE18751	48.69
	RE30815	515649-539847		P-V-1	1-3/4		JD-RE14550	24.29
	RE30815	515649-539847		N-N-14		3	JD-RE14082	93.27
	BLADE PITCH	AH139083	539848-		P-U-1	40 mm		JD-SK100092
AH139083		539848-		N-N-10		63 mm	JD-AH212088	17.67
AH150028				I-U-1	40 mm		JD-SK100091	23.82
AH150028				N-N-10		63 mm	JD-AH212088	17.67
AU43102		-589847		P-V-8	1-1/4	2-1/2	JD-AR105453	47.45
BLADE SIDESHIFT	AH143278	541004-		P-U-1	40 mm		JD-SK100094	49.30
	AH143278	541004-		N-N-10		63 mm	JD-AH212088	17.67
	AH150029			I-U-1	40 mm		JD-SK100093	23.82
	AH150029			N-N-10		63 mm	JD-AH212088	17.67
	AU43104	-541003		P-V-8	1-1/2	2-1/2	JD-RE19217	40.05
	CIRCLE SIDESHIFT	AH135087	540926-		P-UB-1	40 mm		JD-RE20433
AH135087		540926-		N-N-14		80 mm	JD-AH212091	112.58
AH150079				I,P-UB-1	45 mm		JD-AH149813	79.07
AH150079				N-N-14		80 mm	JD-AH212091	112.58
RE30568		-540925		P-V-8	1-3/4	3	JD-RE18751	48.69
SCARIFIER & SNOW PLOW LIFT	AH137301	539520-		P-UB-1	50 mm		JD-RE20595	67.60
	AH137301	539520-		N-N-14		100 mm	JD-AH212101	106.57

LA - Long Arm LGP - Low Ground Pressure LT - Long Track MFWD - Mechanical Front Wheel Drive MP - Multi-Purpose
 IDM - Inside Dozer Mount ODM - Outside Dozer Mount SLF - Super Long Front STD - Straight Dozer WT - Wide Track

FORMERLY LISTED REPAIR PARTS ARE AVAILABLE ONLINE AT WWW.HERCULESUS.COM
 OR BY CONTACTING YOUR REGIONAL HERCULES SALES TEAM.

JOHN DEERE®

Replacement Kits For

JOHN DEERE®

JOHN DEERE®

Motor Graders								
APPLICATION	CYL #	SERIAL #	Misc	CODE	ROD	BORE	KIT #	List \$
MODEL 570B								
SCARIFIER & SNOW FLOW LIFT	AH148701	539520-		P-UB-1	50 mm		JD-AH210484	54.78
	AH148701	539520-		N-N-14		100 mm	JD-AH212101	106.57
	AU43107	-515648		P-V-8	1-3/4	4	JD-RE10223	53.05
	RE30870	515649-539519		P-V-1	1-3/4		JD-RE30874	38.40
	RE30870	515649-539519		N-N-14		4	JD-RE16118	105.13
STEERING (Front)	AH150023			P-UB-1	25 mm		JD-AH149810	62.20
	AH150023			N-N-10		50 mm	JD-AH167552	8.87
	RE38338	540777-		P-UB-1	25 mm		JD-RE21875	66.70
	RE38338	540777-		N-N-10		50 mm	JD-AH167552	8.87
STEERING (Rear)	AH138085	540255-		P-UB-1	40 mm		JD-RE20433	76.06
	AH138085	540255-		N-N-14		80 mm	JD-AH212091	112.58
	AH150061			I,P-UB-1	40 mm		JD-AH149194	65.97
	AH150061			N-N-10		80 mm	JD-RE37003	19.99
	AT39445	-540254		P-V-8	1-1/4	3	JD-AR105454	50.93
WHEEL LEAN	AH138086	540777-		P-UB-1	40 mm		JD-RE20433	76.06
	AH138086	540777-		N-N-14		80 mm	JD-AH212091	112.58
	AH150062			I,P-UB-1	40 mm		JD-AH149194	65.97
	AH150062			N-N-10		80 mm	JD-RE37003	19.99
	AU43108	-540776		P-V-8	1-1/4	3	JD-AR105454	50.93
MODEL 670,670A,670B,672A,672B								
BLADE LIFT		All		P-V-8	2	3-1/4	JD-RE18747	58.12
BLADE SIDESHIFT		All		P-V-10	1-1/2	3-1/2	JD-RE18742	76.60
BLADE TILT		All		P-V-8	1-3/4	4	JD-RE18736	56.40
CIRCLE SIDESHIFT		All		P-V-8	2	3-1/4	JD-RE18747	58.12
FRONT MOUNTED EQ		All		P-V-8	2	5	JD-RE18743	72.25
RIPPER		All		P-V-8	2-1/4	5-1/4	JD-AR105346	94.62
SCARIFIER		All		P-V-8	2	5	JD-RE18743	72.25
STEERING (Front)		All		P-U-8	1-1/4	3	JD-RE18750	39.95
STEERING (Rear)		All	670, 670A, 672A	P-V-8	1-3/4	3-1/2	JD-RE18754	76.24
		All	670B, 672B	P-UB-1	45 mm		JD-RE20434	76.53
		All	670B, 672B	N-N-14		90 mm	JD-RE20430	63.85
WHEEL LEAN		All		P-V-8	2	4	JD-RE18733	50.42
MODEL 770,770A,770B,772A,772B								
BLADE LIFT		All		P-V-8	2	3-1/2	JD-RE18748	73.47
BLADE SIDESHIFT		All		P-V-10	1-1/2	3-1/2	JD-RE18742	76.60
BLADE TILT		All		P-V-8	1-3/4	4	JD-RE18736	56.40
CIRCLE SIDESHIFT		All		P-V-8	1-3/4	3-1/2	JD-RE18754	76.24
FRONT MOUNTED EQ		All		P-V-8	2	5	JD-RE18743	72.25
RIPPER		All		P-V-8	2-1/4	5-1/4	JD-AR105346	94.62
SCARIFIER		All		P-V-8	2	5	JD-RE18743	72.25
STEERING (Front)		All		P-U-8	1-1/4	3	JD-RE18750	39.95
STEERING (Rear)		All		P-V-8	2	4	JD-RE18733	50.42
WHEEL LEAN		All		P-V-8	2	4	JD-RE18733	50.42
Scrapers								
APPLICATION	CYL #	SERIAL #	Misc	CODE	ROD	BORE	KIT #	List \$
MODEL 762,762A,762B								
BOWL LIFT		All		P-V-8	2	4-1/2	JD-RE18737	75.20
EJECTOR GATE		All		P-V-8	1-1/2	2-1/2	JD-RE19217	40.05
SLIDING FLOOR		All		P-V-8	2-1/4	5-1/4	JD-AR105346	94.62
STEERING		All		P-V-10,12	2	3-1/2	JD-RE18765	66.51
STEERING (Follow-Up)		All	762, 762A	N-OB-10	1/2	1	JD-AH65915	13.12
MODEL 862B								
BOWL LIFT		781781-		P-UB-1	63 mm		JD-RE25151	144.81
		781781-		N-N-14		140 mm	JD-AH137209	192.09

LA - Long Arm LGP - Low Ground Pressure LT - Long Track MFWD - Mechanical Front Wheel Drive MP - Multi-Purpose
 IDM - Inside Dozer Mount ODM - Outside Dozer Mount SLF - Super Long Front STD - Straight Dozer WT - Wide Track

Replacement Kits For

JOHN DEERE®

Scrapers								
APPLICATION	CYL #	SERIAL #	Misc	CODE	ROD	BORE	KIT #	List \$
MODEL 862B								
EJECTOR GATE		4283-781780		P-U-8	2	3	JD-RE19218	58.52
		781781-		P-UB-1	50 mm		JD-RE20595	67.60
		781781-		N-N-14		80 mm	JD-RE31138	70.69
STEERING				P-V-10	2	4	JD-RE18738	42.41
	RE18738	781781-		P-UB-1	50 mm		JD-RE20595	67.60
	RE18738	781781-		N-N-14		100 mm	JD-AH137687	93.75
MODEL 1312C								
BUCKET	AH163552		-2003	I,P-UB-1	45 mm		JD-AH149813	79.07
	AH163552		-2003	N-N-10		90 mm	JD-AH202290	20.94
GATE & WHEEL FRAME	AH166738		-2003	P-UB-1	63 mm		JD-AH149815	79.22
	AH166738		-2003	N-N-10		6	JD-AH167533	80.39
MODEL 1510C								
BUCKET	AH163552		-2003	I,P-UB-1	45 mm		JD-AH149813	79.07
	AH163552	-050001	2004-	I,P-UB-1	45 mm		JD-AH149813	79.07
	AH163552	-050001	2004-	N-N-10		90 mm	JD-AH202290	20.94
	AH163552		-2003	N-N-10		90 mm	JD-AH202290	20.94
	AH216652	050002-	2004-	I,P-UB-1	45 mm		JD-AH149813	79.07
	AH216652	050002-	2004-	N-N-10		90 mm	JD-AH212097	20.94
GATE & WHEEL FRAME	AH166738		-2003	P-UB-1	63 mm		JD-AH149815	79.22
	AH166738	-050004	2004-	P-UB-1	63 mm		JD-AH149815	79.22
	AH166738		-2003	N-N-10		6	JD-AH167533	80.39
	AH166738	-050004	2004-	N-N-10		6	JD-AH167533	80.39
	AH216715	050005-	2004-	P-UB-1	63 mm		JD-AH149815	79.22
	AH216715	050005-	2004-	N-N-10		6	JD-AH167533	80.39
MODEL 1512C								
BUCKET	AH163552	-050001	2004-	I,P-UB-1	45 mm		JD-AH149813	79.07
	AH163552	-050001	2004-	N-N-10		90 mm	JD-AH202290	20.94
	AH216652	050002-	2004-	I,P-UB-1	45 mm		JD-AH149813	79.07
	AH216652	050002-	2004-	N-N-10		90 mm	JD-AH212097	20.94
GATE & WHEEL FRAME	AH166738	-050004	2004-	P-UB-1	63 mm		JD-AH149815	79.22
	AH166738	-050004	2004-	N-N-10		6	JD-AH167533	80.39
	AH216715	050005-	2004-	P-UB-1	63 mm		JD-AH149815	79.22
	AH216715	050005-	2004-	N-N-10		6	JD-AH167533	80.39
MODEL 1810C								
BUCKET		060201-	Mfg 2006	P-UB-1	56 mm		JD-AH149814	77.82
		060201-	Mfg 2006	N-N-10		100 mm	JD-AH212102	66.68
LIFT GATE	AH149815	060201-		P-UB-1	63 mm		JD-AH149815	79.22
	AH149815	060201-		N-N-10		6	JD-AH167533	80.39
MODEL 1812C								
BUCKET	AH163552		-2003	I,P-UB-1	45 mm		JD-AH149813	79.07
	AH163552	-050001	2004-	I,P-UB-1	45 mm		JD-AH149813	79.07
	AH163552		-2003	N-N-10		90 mm	JD-AH202290	20.94
	AH163552	-050001	2004-	N-N-10		90 mm	JD-AH202290	20.94
	AH216652	050002-	2004-	I,P-UB-1	45 mm		JD-AH149813	79.07
	AH216652	050002-	2004-	N-N-10		90 mm	JD-AH212097	20.94
GATE & WHEEL FRAME	AH166738	-050004	2004-	P-UB-1	63 mm		JD-AH149815	79.22
	AH166738		-2003	P-UB-1	63 mm		JD-AH149815	79.22
	AH166738		-2003	N-N-10		6	JD-AH167533	80.39
	AH166738	-050004	2004-	N-N-10		6	JD-AH167533	80.39
	AH216715	050005-	2004-	P-UB-1	63 mm		JD-AH149815	79.22
	AH216715	050005-	2004-	N-N-10		6	JD-AH167533	80.39
MODEL 1814C								
BUCKET	AH163552		-2003	I,P-UB-1	45 mm		JD-AH149813	79.07
	AH163552	-050001	2004-	I,P-UB-1	45 mm		JD-AH149813	79.07
	AH163552		-2003	N-N-10		90 mm	JD-AH202290	20.94

LA - Long Arm LGP - Low Ground Pressure LT - Long Track MFWD - Mechanical Front Wheel Drive MP - Multi-Purpose
 IDM - Inside Dozer Mount ODM - Outside Dozer Mount SLF - Super Long Front STD - Straight Dozer WT - Wide Track

FORMERLY LISTED REPAIR PARTS ARE AVAILABLE ONLINE AT WWW.HERCULESUS.COM
 OR BY CONTACTING YOUR REGIONAL HERCULES SALES TEAM.

JOHN DEERE®

Replacement Kits For

JOHN DEERE®

Scrapers								
APPLICATION	CYL #	SERIAL #	Misc	CODE	ROD	BORE	KIT #	List \$
MODEL 1814C								
BUCKET	AH163552	-050001	2004-	N-N-10		90 mm	JD-AH202290	20.94
	AH216652	050002-	2004-	I,P-UB-1	45 mm		JD-AH149813	79.07
	AH216652	050002-	2004-	N-N-10		90 mm	JD-AH212097	20.94
GATE & WHEEL FRAME	AH166738	-050004	2004-	P-UB-1	63 mm		JD-AH149815	79.22
	AH166738		-2003	P-UB-1	63 mm		JD-AH149815	79.22
	AH166738	-050004	2004-	N-N-10		6	JD-AH167533	80.39
	AH166738		-2003	N-N-10		6	JD-AH167533	80.39
	AH216715	050005-	2004-	P-UB-1	63 mm		JD-AH149815	79.22
	AH216715	050005-	2004-	N-N-10		6	JD-AH167533	80.39
MODEL 2112C								
BUCKET		060201-	Mfg 2006	P-UB-1	56 mm		JD-AH149814	77.82
		060201-	Mfg 2006	N-N-10		100 mm	JD-AH212102	66.68
LIFT GATE	AH149815	060201-		P-UB-1	63 mm		JD-AH149815	79.22
	AH149815	060201-		N-N-10		6	JD-AH167533	80.39
MODEL 5010								
BOWL LIFT		All		P-V-8	2	4	JD-AR105387	59.80
EJECTOR GATE		All		P-V-8	1-1/2	2-1/2	JD-RE19217	40.05
		All		P-OB-8	1-1/2	2-1/2	JD-AR99785	27.64
SCARIFIER		All		P-V-8	1-1/2	3	JD-AR105722	52.87
SLIDING FLOOR		All		P-V-8	2	4-1/2	JD-AR105384	81.62
Skidders								
APPLICATION	CYL #	SERIAL #	Misc	CODE	ROD	BORE	KIT #	List \$
MODEL 340D								
BLADE LIFT		All		P-V-1	1-1/2		JD-RE14088	33.72
		All		N-N-14		3-1/2	JD-RE16076	101.90
STEERING		All		P-V-10	1-3/4	2-3/4	JD-AR105537	56.92
MODEL 440, 440A, 440B								
		Backhoe Arrangement		93, 93A, 95, 95A				
BACKHOE BOOM		All		P-V-8	2-1/4	4-1/2	JD-RE10640	83.66
BACKHOE BUCKET		All		P-V-8	2-1/4	3-1/2	JD-RE18757	82.12
BACKHOE CROWD		All		P-V-8	2	4	JD-AR105387	59.80
BACKHOE STABILIZER		All	95, 95A	P-V-8	1-3/4	3	JD-RE18751	48.69
		All	93, 93A	P-V-8	1-3/4	3-1/2	JD-RE18754	76.24
FRONT BLADE		All		P-V-8	1-1/2	3	JD-AR105722	52.87
STEERING		All		P-U-1	2-5/8	3	JD-AT39022	27.77
		All		P-U-10	2-5/8	3	JD-AT38068	54.95
MODEL 440C Skidders/Grapple Skidders								
BLADE LIFT		-282545		P-V-8	1-1/2	3	JD-AR105722	52.87
		282546-		P-V-1	1-1/2		JD-RE14088	33.72
		282546-		N-N-14		3	JD-RE14082	93.27
BOOM		All		P-V-8	2	4	JD-AR105387	59.80
		All		P-V-1	2		JD-RE16119	35.25
		All		N-N-14		4	JD-RE16118	105.13
GRAPPLE		-405023		P-V-8	2-1/4	5-1/4	JD-AR105346	94.62
		405024-		P-V-1	2-1/4		JD-RE14208	50.41
		405024-		N-N-14		5-1/4	JD-RE14100	142.31
STEERING		400824-		P-V-10	1-3/4	2-3/4	JD-AR105537	56.92
		-400823		P-U-10	3	3-1/4	JD-RE19216	57.75
MODEL 440D, 448 Skidders/Grapple Skidders								
ARCH & BOOM		All	448D	P-V-1	2		JD-RE16119	35.25
		All	448D	N-N-14		4	JD-RE16118	105.13
BLADE LIFT		All		P-V-1	1-1/2		JD-RE14088	33.72
		All		N-N-14		3-1/2	JD-RE16076	101.90
GRAPPLE		-501505	448D	P-V-8	2-1/4	5-1/4	JD-AR105346	94.62
		501506-	448D	P-V-1	2-1/4		JD-RE14208	50.41

LA - Long Arm LGP - Low Ground Pressure LT - Long Track MFWD - Mechanical Front Wheel Drive MP - Multi-Purpose
 IDM - Inside Dozer Mount ODM - Outside Dozer Mount SLF - Super Long Front STD - Straight Dozer WT - Wide Track

JOHN DEERE®

Replacement Kits For

JOHN DEERE®

Skidders								
APPLICATION	CYL #	SERIAL #	Misc	CODE	ROD	BORE	KIT #	List \$
MODEL 440D, 448 Skidders/Grapple Skidders								
GRAPPLE		501506-	448D	N-N-14		5-1/4	JD-RE14100	142.31
STEERING		All		P-V-10	1-3/4	2-3/4	JD-AR105537	56.92
MODEL 540, 540A								
FRONT BLADE		-119500, -40399		P-V-8	1-1/2	3	JD-AR105722	52.87
		119501-, 40400-		P-V-8	1-1/2	3-1/2	JD-AR105432	59.63
STEERING		All		P-U-10	3	3-1/4	JD-AT35142	86.47
		All		P-UB-1	3	3-1/4	JD-AT39023	61.79
MODEL 540B								
BLADE LIFT		-500808		P-V-8	1-1/2	3-1/2	JD-AR105432	59.63
		500809-		P-V-1	1-1/2		JD-RE14088	33.72
		500809-		N-N-14		3-1/2	JD-RE16076	101.90
BOOM		-500808		P-V-8	2	4	JD-AR105387	59.80
		500809-		P-V-1	2		JD-RE16119	35.25
		500809-		N-N-14		4	JD-RE16118	105.13
GRAPPLE		-501541		P-V-8	2-1/4	5-1/4	JD-AR105346	94.62
		501542-		P-V-1	2-1/4		JD-RE14208	50.41
		501542-		N-N-14		5-1/4	JD-RE14100	142.31
STEERING		-400571		P-U-10	3	3-1/4	JD-RE19216	57.75
		400572-		P-V-10	1-3/4	2-3/4	JD-AR105537	56.92
MODEL 540D, 548D Grapple Skidders								
BLADE LIFT		All		P-V-1	1-1/2		JD-RE14088	33.72
		All		N-N-14		3-1/2	JD-RE16076	101.90
BOOM		All	548D	P-V-1	2		JD-RE16119	35.25
		All	548D	N-N-14		4	JD-RE16118	105.13
GRAPPLE		All	548D	P-V-1	2-1/4		JD-RE14208	50.41
		All	548D	N-N-14		5-1/4	JD-RE14100	142.31
STEERING		All		P-V-10	1-3/4	2-3/4	JD-AR105537	56.92
MODEL 640 Skidders/Grapple Skidders								
ARCH & BOOM		-500986		P-V-8	2	4	JD-AR105387	59.80
		500987-		P-V-1	2		JD-RE16119	35.25
		500987-		N-N-14		4	JD-RE16118	105.13
BLADE LIFT		-500986		P-V-8	1-3/4	4	JD-RE10223	53.05
		500987-		P-V-1	1-3/4		JD-RE30874	38.40
		500987-		N-N-14		4	JD-RE16118	105.13
BOOM (Single Function)		All		P-V-1	2		JD-RE16119	35.25
		All		N-N-14		4	JD-RE14567	108.07
GRAPPLE		-502132		P-V-8	2-1/2	5-1/2	JD-RE10224	127.91
		502133-		P-V-1	2-1/2		JD-RE17345	61.79
		502133-		N-N-14		5-1/2	JD-RE14102	164.17
STEERING		All		I-U-10	3-3/8	3-5/8	JD-RE19227	56.79
TILT		-503561		P-V-8	2-1/4	4-1/2	JD-AR105355	111.66
		503562-		P-V-1	2-1/4		JD-RE14208	50.41
		503562-		N-N-14		4-1/2	JD-RE14094	109.04
MODEL 640D, 648D Grapple Skidders								
ARCH & BOOM		All	648D	P-V-1	2		JD-RE16119	35.25
		All	648D	N-N-14		4	JD-RE16118	105.13
BLADE LIFT		All		P-V-1	1-3/4		JD-RE30874	38.40
		All		N-N-14		4	JD-RE16118	105.13
BOOM (Single Function)		All	648D	P-V-1	2		JD-RE16119	35.25
		All	648D	N-N-14		4	JD-RE14567	108.07
GRAPPLE		All	648D	P-V-1	2-1/2		JD-RE17345	61.79
		All	648D	N-N-14		5-1/2	JD-RE14102	164.17
STEERING		All		P-V-1	1-3/4		JD-RE16209	41.28
		All		N-N-14		3	JD-RE16208	92.02
TILT		All		P-V-1	2-1/4		JD-RE14208	50.41

LA - Long Arm LGP - Low Ground Pressure LT - Long Track MFWD - Mechanical Front Wheel Drive MP - Multi-Purpose
 IDM - Inside Dozer Mount ODM - Outside Dozer Mount SLF - Super Long Front STD - Straight Dozer WT - Wide Track

FORMERLY LISTED REPAIR PARTS ARE AVAILABLE ONLINE AT WWW.HERCULESUS.COM
 OR BY CONTACTING YOUR REGIONAL HERCULES SALES TEAM.

JOHN DEERE®

Replacement Kits For

JOHN DEERE®

JOHN DEERE®

Skidders									
APPLICATION	CYL #	SERIAL #	Misc	CODE	ROD	BORE	KIT #	List \$	
MODEL 640D, 648D Grapple Skidders									
TILT		All		N-N-14		4-1/2	JD-RE14094	109.04	
MODEL 648H									
ARCH (LH)	AH215479	- 666892		P-UB-1	56 mm		JD-AH149814	77.82	
	AH215479	- 666892		N-N-10		100 mm	JD-AH212102	66.68	
ARCH (RH)	AH215485	- 666892		N-N-10		100 mm	JD-AH212102	66.68	
	AH215485	- 666892		P-UB-1	56 mm		JD-AH149814	77.82	
BLADE	AH223968	- 666892		N-N-10		90 mm	JD-AH212097	20.94	
	AH223968	- 666892		I,P-UB-1	45 mm		JD-AH149813	79.07	
BOOM	AH215291	- 666892		N-N-10		100 mm	JD-AH212102	66.68	
	AH215291	- 666892		P-UB-1	56 mm		JD-AH149814	77.82	
	AH227744	630436 - 666892		P-UB-1	63 mm		JD-AH149815	79.22	
	AH227744	630436 - 666892		N-N-14		115 mm	JD-AH212103	157.90	
GRAPPLE	AH143918	- 630435		P-UB-1	50 mm		JD-AH210484	54.78	
	AH143918	- 630435		N-N-10		100 mm	JD-AH212102	66.68	
	AH208835	- 630435; - 616181		N-N-14		115 mm	JD-AH212103	157.90	
	AH208835	- 630435; - 616181		P-UB-1	63 mm		JD-AH149815	79.22	
	AH209813	630436 - 666892		P-UB-1	50 mm		JD-AH210484	54.78	
	AH209813	630436 - 666892		N-N-10		100 mm	JD-AH212102	66.68	
	AH231019	- 666892		P-UB-1	63 mm		JD-AH149815	79.22	
	AH231019	- 666892		N-N-14		115 mm	JD-AH212103	157.90	
	AHC15842	630436 - 666892		P-UB-1	63 mm		JD-AH149815	79.22	
	AHC15842	630436 - 666892		N-N-14		125 mm	JD-AH163672	151.74	
	STEERING	AH213303	- 666892		N-N-14		90 mm	JD-AH212096	88.71
		AH213303	- 666892		P-UB-1	50 mm		JD-AH210484	54.78
AH219905		- 666892		P-UB-1	56 mm		JD-AH149814	77.82	
AH219905		- 666892		N-N-14		100 mm	JD-AH212101	106.57	
TILT	AH216340	- 630435		I-U-1	32 mm		JD-AH149817	31.79	
	AH216340	- 630435		N-N-10		63 mm	JD-AH161891	108.91	
	AHC10202	- 666892		I-U-1	32 mm		JD-AH149817	31.79	
	AHC10202	- 666892		N-N-10		63 mm	JD-AH161891	108.91	
MODEL 740, 740A									
ARCH & BOOM		-708051		P-V-8	2	4-1/4	JD-AR105391	64.26	
		708052-	740A	P-V-1	2		JD-RE30817	42.96	
		708052-	740A	N-N-14		4-1/4	JD-RE17458	111.16	
GRAPPLE		-708051		P-V-8	2-3/4	6-1/4	JD-RE18744	187.77	
		708052-	740A	P-V-1	2-3/4		JD-RE17342	84.13	
		708052-	740A	N-N-14		6-1/4	JD-RE14104	168.98	
LIFT		-708051		P-V-8	2	5	JD-RE18743	72.25	
		708052-	740A	P-V-1	2		JD-RE30817	42.96	
		708052-	740A	N-N-14		5	JD-RE15905	134.63	
STEERING		All		I-U-10	4-1/4	4.40	JD-RE19224	63.76	
TILT		-708051		P-V-8	2-1/4	4-1/2	JD-AR105355	111.66	
		708052-	740A	P-V-1	2-1/4		JD-RE14208	50.41	
		708052-	740A	N-N-14		4-1/2	JD-RE14094	109.04	
MODEL 3605 Grapple Skidders									
BOOM		10201-		P-V-8	1-3/4	3-1/2	JD-RE18754	76.24	
GRAPPLE		10201-		P-V-8	1-3/4	3-1/2	JD-RE18754	76.24	
Tractors									
APPLICATION	CYL #	SERIAL #	Misc	CODE	ROD	BORE	KIT #	List \$	
MODEL 1023E (120R Loader)									
BOOM	AHC17721			I-U-1	25 mm		JD-AHC16980	16.93	
	AHC17721			N-N-10,14		40 mm	JD-AHC17687	66.03	
BUCKET	AHC10186			I-U-1	25 mm		JD-AHC16980	16.93	
	AHC10186			N-N-10,14		40 mm	JD-AHC17687	66.03	

LA - Long Arm LGP - Low Ground Pressure LT - Long Track MFWD - Mechanical Front Wheel Drive MP - Multi-Purpose
 IDM - Inside Dozer Mount ODM - Outside Dozer Mount SLF - Super Long Front STD - Straight Dozer WT - Wide Track

Replacement Kits For

JOHN DEERE®

Tractors								
APPLICATION	CYL #	SERIAL #	Misc	CODE	ROD	BORE	KIT #	List \$
MODEL 1023E (260B Backhoe)								
BOOM	LVA21151			P-U-10,12	1	2	JD-LVA22191	65.62
BUCKET	LVA22081			P-U-10,12	1	2	JD-LVA22191	65.62
	LVA22081			Piston		2	JD-M138572	128.96
DIPPERSTICK	LVA22082			P-UB-1	1-1/4		JD-LVA22193	124.70
	LVA22082			Piston		2-1/2	JD-LVA20429	204.12
STABILIZER	LVA23060			P-OB-10,12	1-1/8	2	JD-LVA23232	43.93
SWING	LVA23287			P-U-10,12	1-1/8	2-1/2	JD-LVA14998	79.06
MODEL 1023E (D120 Loader)								
BOOM	AHC17721			I-U-1	25 mm		JD-AHC16980	16.93
	AHC17721			N-N-10,14		40 mm	JD-AHC17687	66.03
BUCKET	AHC10186			I-U-1	25 mm		JD-AHC16980	16.93
	AHC10186			N-N-10,14		40 mm	JD-AHC17687	66.03
MODEL 1023E (H120 Loader)								
BOOM	AHC17721			I-U-1	25 mm		JD-AHC16980	16.93
	AHC17721			N-N-10,14		40 mm	JD-AHC17687	66.03
BUCKET	AHC10186			I-U-1	25 mm		JD-AHC16980	16.93
	AHC10186			N-N-10,14		40 mm	JD-AHC17687	66.03
MODEL 1025R (120R Loader)								
BOOM	AHC17721			I-U-1	25 mm		JD-AHC16980	16.93
	AHC17721			N-N-10,14		40 mm	JD-AHC17687	66.03
BUCKET	AHC10186			I-U-1	25 mm		JD-AHC16980	16.93
	AHC10186			N-N-10,14		40 mm	JD-AHC17687	66.03
MODEL 1025R (260B Backhoe)								
BOOM	LVA21151			P-U-10,12	1	2	JD-LVA22191	65.62
BUCKET	LVA22081			P-U-10,12	1	2	JD-LVA22191	65.62
	LVA22081			Piston		2	JD-M138572	128.96
DIPPERSTICK	LVA22082			P-UB-1	1-1/4		JD-LVA22193	124.70
	LVA22082			Piston		2-1/2	JD-LVA20429	204.12
STABILIZER	LVA23060			P-OB-10,12	1-1/8	2	JD-LVA23232	43.93
SWING	LVA23287			P-U-10,12	1-1/8	2-1/2	JD-LVA14998	79.06
MODEL 1025R (D120 Loader)								
BOOM	AHC17721			I-U-1	25 mm		JD-AHC16980	16.93
	AHC17721			N-N-10,14		40 mm	JD-AHC17687	66.03
BUCKET	AHC10186			I-U-1	25 mm		JD-AHC16980	16.93
	AHC10186			N-N-10,14		40 mm	JD-AHC17687	66.03
MODEL 1025R (H120 Loader)								
BOOM	AHC17721			I-U-1	25 mm		JD-AHC16980	16.93
	AHC17721			N-N-10,14		40 mm	JD-AHC17687	66.03
BUCKET	AHC10186			I-U-1	25 mm		JD-AHC16980	16.93
	AHC10186			N-N-10,14		40 mm	JD-AHC17687	66.03
MODEL 2025R (120R Loader)								
BOOM	AHC17721			I-U-1	25 mm		JD-AHC16980	16.93
	AHC17721			N-N-10,14		40 mm	JD-AHC17687	66.03
BUCKET	AHC10186			I-U-1	25 mm		JD-AHC16980	16.93
	AHC10186			N-N-10,14		40 mm	JD-AHC17687	66.03
MODEL 2025R (260B Backhoe)								
BOOM	LVA21151			P-U-10,12	1	2	JD-LVA22191	65.62
BUCKET	LVA22081			P-U-10,12	1	2	JD-LVA22191	65.62
	LVA22081			Piston		2	JD-M138572	128.96
DIPPERSTICK	LVA22082			P-UB-1	1-1/4		JD-LVA22193	124.70
	LVA22082			Piston		2-1/2	JD-LVA20429	204.12
STABILIZER	LVA23060			P-OB-10,12	1-1/8	2	JD-LVA23232	43.93
SWING	LVA23287			P-U-10,12	1-1/8	2-1/2	JD-LVA14998	79.06
MODEL 2032R (220R Loader)								
BOOM	AHC15822			I-U-1	25 mm		JD-AHC16980	16.93
	AHC15822			N-N-10,14		40 mm	JD-AHC17687	66.03

LA - Long Arm LGP - Low Ground Pressure LT - Long Track MFWD - Mechanical Front Wheel Drive MP - Multi-Purpose
 IDM - Inside Dozer Mount ODM - Outside Dozer Mount SLF - Super Long Front STD - Straight Dozer WT - Wide Track

Replacement Kits For

JOHN DEERE®

Tractors								
APPLICATION	CYL #	SERIAL #	Misc	CODE	ROD	BORE	KIT #	List \$
MODEL 2032R (220R Loader)								
BUCKET	AHC16955			I-U-1	28 mm		JD-AHC16981	12.32
	AHC16955			N-N-10		45 mm	JD-AHC16964	27.80
MODEL 2032R (270B Backhoe)								
BOOM	LVA21151			P-U-10,12	1	2	JD-LVA22191	65.62
BUCKET	LVA22081	-010914		P-U-10,12	1	2	JD-LVA22191	65.62
	LVA22081	-010914		Piston		2	JD-M138572	128.96
	LVA23923	010915-		P-UB-1	1-1/4		JD-LVA23924	108.16
	LVA23923	010915-		Piston		2	JD-M138572	128.96
DIPPERSTICK	LVA22189			P-UB-1	1-1/4		JD-LVA22193	124.70
	LVA22189			Piston		2-1/2	JD-LVA20429	204.12
STABILIZER	LVA22080			P-OB-10	1-1/8	2	JD-LVA22190	127.58
SWING	LVA23287			P-U-10,12	1-1/8	2-1/2	JD-LVA14998	79.06
MODEL 2038R (220R Loader)								
BOOM	AHC15822			I-U-1	25 mm		JD-AHC16980	16.93
	AHC15822			N-N-10,14		40 mm	JD-AHC17687	66.03
BUCKET	AHC16955			I-U-1	28 mm		JD-AHC16981	12.32
	AHC16955			N-N-10		45 mm	JD-AHC16964	27.80
MODEL 2038R (270B Backhoe)								
BOOM	LVA21151			P-U-10,12	1	2	JD-LVA22191	65.62
BUCKET	LVA22081	-010914		P-U-10,12	1	2	JD-LVA22191	65.62
	LVA22081	-010914		Piston		2	JD-M138572	128.96
	LVA23923	010915-		P-UB-1	1-1/4		JD-LVA23924	108.16
	LVA23923	010915-		Piston		2	JD-M138572	128.96
DIPPERSTICK	LVA22189			P-UB-1	1-1/4		JD-LVA22193	124.70
	LVA22189			Piston		2-1/2	JD-LVA20429	204.12
STABILIZER	LVA22080			P-OB-10	1-1/8	2	JD-LVA22190	127.58
SWING	LVA23287			P-U-10,12	1-1/8	2-1/2	JD-LVA14998	79.06
MODEL 3025E (300E Loader)								
BOOM	AH231644			I-U-1	25 mm		JD-AHC16980	16.93
	AH231644			N-N-10,14		40 mm	JD-AHC17687	66.03
BUCKET	AH232743			I-U-1	28 mm		JD-AHC16981	12.32
	AH232743			N-N-10,14		40 mm	JD-AHC17687	66.03
MODEL 3032E (300E Loader)								
BOOM	AH231644			I-U-1	25 mm		JD-AHC16980	16.93
	AH231644			N-N-10,14		40 mm	JD-AHC17687	66.03
BUCKET	AH232743			I-U-1	28 mm		JD-AHC16981	12.32
	AH232743			N-N-10,14		40 mm	JD-AHC17687	66.03
MODEL 3033R (300R Loader)								
BOOM	AH213992			I-U-1	28 mm		JD-AHC16981	12.32
	AH213992			N-N-10		45 mm	JD-AHC16964	27.80
BUCKET	AH210823			I,P-U-1	32 mm		JD-AHC16982	24.72
	AH210823			N-N-10		50 mm	JD-AHC16965	36.25
MODEL 3033R (320R Loader)								
BOOM	AH210819			I,P-U-1	32 mm		JD-AHC16982	24.72
	AH210819			N-N-10		50 mm	JD-AHC16965	36.25
BUCKET	AH210821			I,P-U-1	32 mm		JD-AHC16982	24.72
	AH210821			N-N-10		50 mm	JD-AHC16965	36.25
MODEL 3033R (375A Backhoe)								
BOOM	LVA23092			P-UB-10,12	1-1/4	2-1/2	JD-LVA23094	78.87
BUCKET	LVA19372			P-UB-1	1-1/4		JD-AM127938	121.99
	LVA19372			Jnitized Pistor		2-1/4	JD-M138574	129.01
DIPPERSTICK	LVA19369			P-UB-1	1-1/2		JD-LVA20425	72.79
	LVA19369			Jnitized Pistor		3	JD-LVU12341	144.21
STABILIZER LH	LVA20375			P-OB-3	1-1/8	2	JD-AM36221	33.28
STABILIZER RH	AM127643			P-OB-3	1-1/8	2	JD-AM36221	33.28
SWING	AM127640	-050030		P-U-10	1	1-3/4	JD-AM127928	33.29

LA - Long Arm LGP - Low Ground Pressure LT - Long Track MFWD - Mechanical Front Wheel Drive MP - Multi-Purpose
 IDM - Inside Dozer Mount ODM - Outside Dozer Mount SLF - Super Long Front STD - Straight Dozer WT - Wide Track

JOHN DEERE®

Replacement Kits For

JOHN DEERE®

Tractors								
APPLICATION	CYL #	SERIAL #	Misc	CODE	ROD	BORE	KIT #	List \$
MODEL 3033R (375A Backhoe)								
SWING	AM127640	-050030		Piston		2	JD-M138572	128.96
	LVA23173	050031-		P-U-10,12	1	2	JD-LVA22191	65.62
	LVA23173	050031-		Piston		2	JD-M138572	128.96
MODEL 3033R								
STEERING	LVA14159			I-U-10	22 mm	45 mm	JD-LVA14168	47.86
MODEL 3038E (300E Loader)								
BOOM	AH231644			I-U-1	25 mm		JD-AHC16980	16.93
	AH231644			N-N-10,14		40 mm	JD-AHC17687	66.03
BUCKET	AH232743			I-U-1	28 mm		JD-AHC16981	12.32
	AH232743			N-N-10,14		40 mm	JD-AHC17687	66.03
MODEL 3039R (300R Loader)								
BOOM	AH213992			I-U-1	28 mm		JD-AHC16981	12.32
	AH213992			N-N-10		45 mm	JD-AHC16964	27.80
BUCKET	AH210823			I,P-U-1	32 mm		JD-AHC16982	24.72
	AH210823			N-N-10		50 mm	JD-AHC16965	36.25
MODEL 3039R (320R Loader)								
BOOM	AH210819			I,P-U-1	32 mm		JD-AHC16982	24.72
	AH210819			N-N-10		50 mm	JD-AHC16965	36.25
BUCKET	AH210821			I,P-U-1	32 mm		JD-AHC16982	24.72
	AH210821			N-N-10		50 mm	JD-AHC16965	36.25
MODEL 3039R (375A Backhoe)								
BOOM	LVA23092			P-UB-10,12	1-1/4	2-1/2	JD-LVA23094	78.87
BUCKET	LVA19372			P-UB-1	1-1/4		JD-AM127938	121.99
	LVA19372			Janitized Pistor		2-1/4	JD-M138574	129.01
DIPPERSTICK	LVA19369			P-UB-1	1-1/2		JD-LVA20425	72.79
	LVA19369			Janitized Pistor		3	JD-LVU12341	144.21
STABILIZER LH	LVA20375			P-OB-3	1-1/8	2	JD-AM36221	33.28
STABILIZER RH	AM127643			P-OB-3	1-1/8	2	JD-AM36221	33.28
SWING	AM127640	-050030		P-U-10	1	1-3/4	JD-AM127928	33.29
	AM127640	-050030		Piston		2	JD-M138572	128.96
	LVA23173	050031-		P-U-10,12	1	2	JD-LVA22191	65.62
	LVA23173	050031-		Piston		2	JD-M138572	128.96
MODEL 3039R								
STEERING	LVA14159			I-U-10	22 mm	45 mm	JD-LVA14168	47.86
MODEL 3046R (300R Loader)								
BOOM	AH213992			I-U-1	28 mm		JD-AHC16981	12.32
	AH213992			N-N-10		45 mm	JD-AHC16964	27.80
BUCKET	AH210823			I,P-U-1	32 mm		JD-AHC16982	24.72
	AH210823			N-N-10		50 mm	JD-AHC16965	36.25
MODEL 3046R (320R Loader)								
BOOM	AH210819			I,P-U-1	32 mm		JD-AHC16982	24.72
	AH210819			N-N-10		50 mm	JD-AHC16965	36.25
BUCKET	AH210821			I,P-U-1	32 mm		JD-AHC16982	24.72
	AH210821			N-N-10		50 mm	JD-AHC16965	36.25
MODEL 3046R (375A Backhoe)								
BOOM	LVA23092			P-UB-10,12	1-1/4	2-1/2	JD-LVA23094	78.87
BUCKET	LVA19372			P-UB-1	1-1/4		JD-AM127938	121.99
	LVA19372			Janitized Pistor		2-1/4	JD-M138574	129.01
DIPPERSTICK	LVA19369			P-UB-1	1-1/2		JD-LVA20425	72.79
	LVA19369			Janitized Pistor		3	JD-LVU12341	144.21
STABILIZER LH	LVA20375			P-OB-3	1-1/8	2	JD-AM36221	33.28
STABILIZER RH	AM127643			P-OB-3	1-1/8	2	JD-AM36221	33.28
SWING	AM127640	-050030		P-U-10	1	1-3/4	JD-AM127928	33.29
	AM127640	-050030		Piston		2	JD-M138572	128.96
	LVA23173	050031-		P-U-10,12	1	2	JD-LVA22191	65.62
	LVA23173	050031-		Piston		2	JD-M138572	128.96

LA - Long Arm LGP - Low Ground Pressure LT - Long Track MFWD - Mechanical Front Wheel Drive MP - Multi-Purpose
 IDM - Inside Dozer Mount ODM - Outside Dozer Mount SLF - Super Long Front STD - Straight Dozer WT - Wide Track

FORMERLY LISTED REPAIR PARTS ARE AVAILABLE ONLINE AT WWW.HERCULESUS.COM
 OR BY CONTACTING YOUR REGIONAL HERCULES SALES TEAM.

JOHN DEERE®

Replacement Kits For

JOHN DEERE®

JOHN DEERE®

Tractors								
APPLICATION	CYL #	SERIAL #	Misc	CODE	ROD	BORE	KIT #	List \$
MODEL 3046R								
STEERING	LVA14159			I-U-10	22 mm	45 mm	JD-LVA14168	47.86
MODEL 4044M (400E Loader)								
BOOM	AHC13621			I,P-U-1	32 mm		JD-AHC16982	24.72
	AHC13621			N-N-10		56 mm	JD-AHC16966	35.18
BUCKET	AHC13628			I,P-U-1	32 mm		JD-AHC16982	24.72
	AHC13628			N-N-10		56 mm	JD-AHC16966	35.18
MODEL 4044M (D170 Loader)								
BOOM	AHC13621			I,P-U-1	32 mm		JD-AHC16982	24.72
	AHC13621			N-N-10		56 mm	JD-AHC16966	35.18
BUCKET	AHC13628			I,P-U-1	32 mm		JD-AHC16982	24.72
	AHC13628			N-N-10		56 mm	JD-AHC16966	35.18
MODEL 4044R (400E Loader)								
BOOM	AHC13621			I,P-U-1	32 mm		JD-AHC16982	24.72
	AHC13621			N-N-10		56 mm	JD-AHC16966	35.18
BUCKET	AHC13628			I,P-U-1	32 mm		JD-AHC16982	24.72
	AHC13628			N-N-10		56 mm	JD-AHC16966	35.18
MODEL 4044R (440R Loader)								
BOOM	AHC13601			I,P-U-1	32 mm		JD-AHC16982	24.72
	AHC13601			N-N-10		56 mm	JD-AHC16966	35.18
	AHC13613			I,P-U-1	32 mm		JD-AHC16982	24.72
	AHC13613			N-N-10		56 mm	JD-AHC16966	35.18
BUCKET	AHC13607			I,P-U-1	32 mm		JD-AHC16982	24.72
	AHC13607			N-N-10		50 mm	JD-AHC16965	36.25
	AHC13616			I,P-U-1	32 mm		JD-AHC16982	24.72
	AHC13616			N-N-10		56 mm	JD-AHC16966	35.18
MODEL 4044R (D170 Loader)								
BOOM	AHC13621			I,P-U-1	32 mm		JD-AHC16982	24.72
	AHC13621			N-N-10		56 mm	JD-AHC16966	35.18
BUCKET	AHC13628			I,P-U-1	32 mm		JD-AHC16982	24.72
	AHC13628			N-N-10		56 mm	JD-AHC16966	35.18
MODEL 4044R (H180 Loader)								
BOOM	AHC13601			I,P-U-1	32 mm		JD-AHC16982	24.72
	AHC13601			N-N-10		56 mm	JD-AHC16966	35.18
BUCKET	AHC13607			I,P-U-1	32 mm		JD-AHC16982	24.72
	AHC13607			N-N-10		50 mm	JD-AHC16965	36.25
MODEL 4052M (400E Loader)								
BOOM	AHC13621			I,P-U-1	32 mm		JD-AHC16982	24.72
	AHC13621			N-N-10		56 mm	JD-AHC16966	35.18
BUCKET	AHC13628			I,P-U-1	32 mm		JD-AHC16982	24.72
	AHC13628			N-N-10		56 mm	JD-AHC16966	35.18
MODEL 4052M (D170 Loader)								
BOOM	AHC13621			I,P-U-1	32 mm		JD-AHC16982	24.72
	AHC13621			N-N-10		56 mm	JD-AHC16966	35.18
BUCKET	AHC13628			I,P-U-1	32 mm		JD-AHC16982	24.72
	AHC13628			N-N-10		56 mm	JD-AHC16966	35.18
MODEL 4052R (400E Loader)								
BOOM	AHC13621			I,P-U-1	32 mm		JD-AHC16982	24.72
	AHC13621			N-N-10		56 mm	JD-AHC16966	35.18
BUCKET	AHC13628			I,P-U-1	32 mm		JD-AHC16982	24.72
	AHC13628			N-N-10		56 mm	JD-AHC16966	35.18
MODEL 4052R (440R Loader)								
BOOM	AHC13601			I,P-U-1	32 mm		JD-AHC16982	24.72
	AHC13601			N-N-10		56 mm	JD-AHC16966	35.18
	AHC13613			I,P-U-1	32 mm		JD-AHC16982	24.72
	AHC13613			N-N-10		56 mm	JD-AHC16966	35.18
BUCKET	AHC13607			I,P-U-1	32 mm		JD-AHC16982	24.72

LA - Long Arm LGP - Low Ground Pressure LT - Long Track MFWD - Mechanical Front Wheel Drive MP - Multi-Purpose
 IDM - Inside Dozer Mount ODM - Outside Dozer Mount SLF - Super Long Front STD - Straight Dozer WT - Wide Track

Replacement Kits For

JOHN DEERE®

JOHN DEERE®

Tractors								
APPLICATION	CYL #	SERIAL #	Misc	CODE	ROD	BORE	KIT #	List \$
MODEL 4052R (440R Loader)								
BUCKET	AHC13607			N-N-10		50 mm	JD-AHC16965	36.25
	AHC13616			I,P-U-1	32 mm		JD-AHC16982	24.72
	AHC13616			N-N-10		56 mm	JD-AHC16966	35.18
MODEL 4052R (D170 Loader)								
BOOM	AHC13621			I,P-U-1	32 mm		JD-AHC16982	24.72
	AHC13621			N-N-10		56 mm	JD-AHC16966	35.18
BUCKET	AHC13628			I,P-U-1	32 mm		JD-AHC16982	24.72
	AHC13628			N-N-10		56 mm	JD-AHC16966	35.18
MODEL 4052R (H180 Loader)								
BOOM	AHC13601			I,P-U-1	32 mm		JD-AHC16982	24.72
	AHC13601			N-N-10		56 mm	JD-AHC16966	35.18
BUCKET	AHC13607			I,P-U-1	32 mm		JD-AHC16982	24.72
	AHC13607			N-N-10		50 mm	JD-AHC16965	36.25
MODEL 4066M (400E Loader)								
BOOM	AHC13621			I,P-U-1	32 mm		JD-AHC16982	24.72
	AHC13621			N-N-10		56 mm	JD-AHC16966	35.18
BUCKET	AHC13628			I,P-U-1	32 mm		JD-AHC16982	24.72
	AHC13628			N-N-10		56 mm	JD-AHC16966	35.18
MODEL 4066M (D170 Loader)								
BOOM	AHC13621			I,P-U-1	32 mm		JD-AHC16982	24.72
	AHC13621			N-N-10		56 mm	JD-AHC16966	35.18
BUCKET	AHC13628			I,P-U-1	32 mm		JD-AHC16982	24.72
	AHC13628			N-N-10		56 mm	JD-AHC16966	35.18
MODEL 4066R (400E Loader)								
BOOM	AHC13621			I,P-U-1	32 mm		JD-AHC16982	24.72
	AHC13621			N-N-10		56 mm	JD-AHC16966	35.18
BUCKET	AHC13628			I,P-U-1	32 mm		JD-AHC16982	24.72
	AHC13628			N-N-10		56 mm	JD-AHC16966	35.18
MODEL 4066R (440R Loader)								
BOOM	AHC13601			I,P-U-1	32 mm		JD-AHC16982	24.72
	AHC13601			N-N-10		56 mm	JD-AHC16966	35.18
	AHC13613			I,P-U-1	32 mm		JD-AHC16982	24.72
	AHC13613			N-N-10		56 mm	JD-AHC16966	35.18
BUCKET	AHC13607			I,P-U-1	32 mm		JD-AHC16982	24.72
	AHC13607			N-N-10		50 mm	JD-AHC16965	36.25
	AHC13616			I,P-U-1	32 mm		JD-AHC16982	24.72
	AHC13616			N-N-10		56 mm	JD-AHC16966	35.18
MODEL 4066R (D170 Loader)								
BOOM	AHC13621			I,P-U-1	32 mm		JD-AHC16982	24.72
	AHC13621			N-N-10		56 mm	JD-AHC16966	35.18
BUCKET	AHC13628			I,P-U-1	32 mm		JD-AHC16982	24.72
	AHC13628			N-N-10		56 mm	JD-AHC16966	35.18
MODEL 4066R (H180 Loader)								
BOOM	AHC13601			I,P-U-1	32 mm		JD-AHC16982	24.72
	AHC13601			N-N-10		56 mm	JD-AHC16966	35.18
BUCKET	AHC13607			I,P-U-1	32 mm		JD-AHC16982	24.72
	AHC13607			N-N-10		50 mm	JD-AHC16965	36.25
MODEL 4105 (300 Loader)								
BOOM	AH213993			I-U-1	28 mm		JD-AHC16981	12.32
	AH213993			N-N-10,14		40 mm	JD-AHC17687	66.03
BUCKET	AH212554			I-U-1	28 mm		JD-AHC16981	12.32
	AH212554			N-N-10,14		40 mm	JD-AHC17687	66.03
MODEL 4105 (300CX Loader)								
ANGLING	WP000229			I-N-8	1-1/2	2	JD-PT5173	61.80
BOOM	AH210819			I,P-U-1	32 mm		JD-AHC16982	24.72
	AH210819			N-N-10		50 mm	JD-AHC16965	36.25

LA - Long Arm LGP - Low Ground Pressure LT - Long Track MFWD - Mechanical Front Wheel Drive MP - Multi-Purpose
 IDM - Inside Dozer Mount ODM - Outside Dozer Mount SLF - Super Long Front STD - Straight Dozer WT - Wide Track

Replacement Kits For

JOHN DEERE®

Tractors								
APPLICATION	CYL #	SERIAL #	Misc	CODE	ROD	BORE	KIT #	List \$
MODEL 4105 (300CX Loader)								
BUCKET	AH210821			I,P-U-1	32 mm		JD-AHC16982	24.72
	AH210821			N-N-10		50 mm	JD-AHC16965	36.25
BUCKET 4-in-1	WP000204			P-U-10	1-1/8	1-3/4	JD-WP903065	68.85
GRAPPLE	WP000206			P-V-8	1	2	JD-PT8230	110.76
MODEL 4105 (300X Loader)								
BOOM	AH213992			I-U-1	28 mm		JD-AHC16981	12.32
	AH213992			N-N-10		45 mm	JD-AHC16964	27.80
BUCKET	AH210823			I,P-U-1	32 mm		JD-AHC16982	24.72
	AH210823			N-N-10		50 mm	JD-AHC16965	36.25
MODEL 4105 (H165 Loader)								
ANGLING	WP000229			I-N-8	1-1/2	2	JD-PT5173	61.80
BOOM	AH210819			I,P-U-1	32 mm		JD-AHC16982	24.72
	AH210819			N-N-10		50 mm	JD-AHC16965	36.25
BUCKET	AH210821			I,P-U-1	32 mm		JD-AHC16982	24.72
	AH210821			N-N-10		50 mm	JD-AHC16965	36.25
	AH210823			I,P-U-1	32 mm		JD-AHC16982	24.72
	AH210823			N-N-10		50 mm	JD-AHC16965	36.25
BUCKET 4-in-1	WP000204			P-U-10	1-1/8	1-3/4	JD-WP903065	68.85
GRAPPLE	WP000206			P-V-8	1	2	JD-PT8230	110.76
MODEL 5045E (512 Loader)								
BUCKET	AHC14610			I,P-U-1	32 mm		JD-AHC16982	24.72
	AHC14610			N-N-10		56 mm	JD-AHC16966	35.18
LIFT LH	AHC14617			I,P-U-1	32 mm		JD-AHC16982	24.72
	AHC14617			N-N-10		56 mm	JD-AHC16966	35.18
LIFT RH	AHC14613			I,P-U-1	32 mm		JD-AHC16982	24.72
	AHC14613			N-N-10		56 mm	JD-AHC16966	35.18
MODEL 5045E (520M Loader)								
BUCKET	AHC13479			I,P-UB-1	40 mm		JD-AHC13485	88.25
	AHC13479			N-N-10		70 mm	JD-AH212090	16.52
	AHC13479			Piston		70 mm	JD-AHC10478	157.77
	AHC13858			I,P-UB-1	40 mm		JD-AHC13485	88.25
	AHC13858			N-N-10		63 mm	JD-AH212088	17.67
GRAPPLE	WP000217			P-UB-1	1-1/2		JD-WP908140	109.65
LIFT	AHC14029			I,P-UB-1	40 mm		JD-AHC13485	88.25
	AHC14029			N-N-10		70 mm	JD-AH212090	16.52
	AHC14029			Piston		70 mm	JD-AH158623	140.91
	AHC14033			I,P-UB-1	40 mm		JD-AHC13485	88.25
	AHC14033			N-N-10		70 mm	JD-AH212090	16.52
MODEL 5055E (512 Loader)								
BUCKET	AHC14610			I,P-U-1	32 mm		JD-AHC16982	24.72
	AHC14610			N-N-10		56 mm	JD-AHC16966	35.18
LIFT LH	AHC14617			I,P-U-1	32 mm		JD-AHC16982	24.72
	AHC14617			N-N-10		56 mm	JD-AHC16966	35.18
LIFT RH	AHC14613			I,P-U-1	32 mm		JD-AHC16982	24.72
	AHC14613			N-N-10		56 mm	JD-AHC16966	35.18
MODEL 5055E (520M Loader)								
BUCKET	AHC13479			I,P-UB-1	40 mm		JD-AHC13485	88.25
	AHC13479			N-N-10		70 mm	JD-AH212090	16.52
	AHC13479			Piston		70 mm	JD-AHC10478	157.77
	AHC13858			I,P-UB-1	40 mm		JD-AHC13485	88.25
	AHC13858			N-N-10		63 mm	JD-AH212088	17.67
GRAPPLE	WP000217			P-UB-1	1-1/2		JD-WP908140	109.65
LIFT	AHC14029			I,P-UB-1	40 mm		JD-AHC13485	88.25
	AHC14029			N-N-10		70 mm	JD-AH212090	16.52
	AHC14029			Piston		70 mm	JD-AH158623	140.91

LA - Long Arm LGP - Low Ground Pressure LT - Long Track MFWD - Mechanical Front Wheel Drive MP - Multi-Purpose
 IDM - Inside Dozer Mount ODM - Outside Dozer Mount SLF - Super Long Front STD - Straight Dozer WT - Wide Track

Replacement Kits For

JOHN DEERE®

JOHN DEERE®

Tractors								
APPLICATION	CYL #	SERIAL #	Misc	CODE	ROD	BORE	KIT #	List \$
MODEL 5055E (520M Loader)								
LIFT	AHC14033			I,P-UB-1	40 mm		JD-AHC13485	88.25
	AHC14033			N-N-10		70 mm	JD-AH212090	16.52
MODEL 5065E (512 Loader)								
BUCKET	AHC14610			I,P-U-1	32 mm		JD-AHC16982	24.72
	AHC14610			N-N-10		56 mm	JD-AHC16966	35.18
LIFT LH	AHC14617			I,P-U-1	32 mm		JD-AHC16982	24.72
	AHC14617			N-N-10		56 mm	JD-AHC16966	35.18
LIFT RH	AHC14613			I,P-U-1	32 mm		JD-AHC16982	24.72
	AHC14613			N-N-10		56 mm	JD-AHC16966	35.18
MODEL 5065E (520M Loader)								
BUCKET	AHC13479			I,P-UB-1	40 mm		JD-AHC13485	88.25
	AHC13479			N-N-10		70 mm	JD-AH212090	16.52
	AHC13479			Piston		70 mm	JD-AHC10478	157.77
	AHC13858			I,P-UB-1	40 mm		JD-AHC13485	88.25
	AHC13858			N-N-10		63 mm	JD-AH212088	17.67
GRAPPLE	WP000217			P-UB-1	1-1/2		JD-WP908140	109.65
LIFT	AHC14029			I,P-UB-1	40 mm		JD-AHC13485	88.25
	AHC14029			N-N-10		70 mm	JD-AH212090	16.52
	AHC14029			Piston		70 mm	JD-AH158623	140.91
	AHC14033			I,P-UB-1	40 mm		JD-AHC13485	88.25
	AHC14033			N-N-10		70 mm	JD-AH212090	16.52
MODEL 5075E (512 Loader)								
BUCKET	AHC14610			I,P-U-1	32 mm		JD-AHC16982	24.72
	AHC14610			N-N-10		56 mm	JD-AHC16966	35.18
LIFT LH	AHC14617			I,P-U-1	32 mm		JD-AHC16982	24.72
	AHC14617			N-N-10		56 mm	JD-AHC16966	35.18
LIFT RH	AHC14613			I,P-U-1	32 mm		JD-AHC16982	24.72
	AHC14613			N-N-10		56 mm	JD-AHC16966	35.18
MODEL 5075E (520M Loader)								
BUCKET	AHC13479			I,P-UB-1	40 mm		JD-AHC13485	88.25
	AHC13479			N-N-10		70 mm	JD-AH212090	16.52
	AHC13479			Piston		70 mm	JD-AHC10478	157.77
	AHC13858			I,P-UB-1	40 mm		JD-AHC13485	88.25
	AHC13858			N-N-10		63 mm	JD-AH212088	17.67
GRAPPLE	WP000217			P-UB-1	1-1/2		JD-WP908140	109.65
LIFT	AHC14029			I,P-UB-1	40 mm		JD-AHC13485	88.25
	AHC14029			N-N-10		70 mm	JD-AH212090	16.52
	AHC14029			Piston		70 mm	JD-AH158623	140.91
	AHC14033			I,P-UB-1	40 mm		JD-AHC13485	88.25
	AHC14033			N-N-10		70 mm	JD-AH212090	16.52
MODEL 5085E (520M Loader)								
BUCKET	AHC13479			I,P-UB-1	40 mm		JD-AHC13485	88.25
	AHC13479			N-N-10		70 mm	JD-AH212090	16.52
	AHC13479			Piston		70 mm	JD-AHC10478	157.77
	AHC13858			I,P-UB-1	40 mm		JD-AHC13485	88.25
	AHC13858			N-N-10		63 mm	JD-AH212088	17.67
GRAPPLE	WP000217			P-UB-1	1-1/2		JD-WP908140	109.65
LIFT	AHC14029			I,P-UB-1	40 mm		JD-AHC13485	88.25
	AHC14029			N-N-10		70 mm	JD-AH212090	16.52
	AHC14029			Piston		70 mm	JD-AH158623	140.91
	AHC14033			I,P-UB-1	40 mm		JD-AHC13485	88.25
	AHC14033			N-N-10		70 mm	JD-AH212090	16.52
MODEL 5100E (520M Loader)								
BUCKET	AHC13479			I,P-UB-1	40 mm		JD-AHC13485	88.25
	AHC13479			N-N-10		70 mm	JD-AH212090	16.52

LA - Long Arm LGP - Low Ground Pressure LT - Long Track MFWD - Mechanical Front Wheel Drive MP - Multi-Purpose
 IDM - Inside Dozer Mount ODM - Outside Dozer Mount SLF - Super Long Front STD - Straight Dozer WT - Wide Track

FORMERLY LISTED REPAIR PARTS ARE AVAILABLE ONLINE AT WWW.HERCULESUS.COM
 OR BY CONTACTING YOUR REGIONAL HERCULES SALES TEAM.

Replacement Kits For

JOHN DEERE®

Tractors								
APPLICATION	CYL #	SERIAL #	Misc	CODE	ROD	BORE	KIT #	List \$
MODEL 5100E (520M Loader)								
BUCKET	AHC13479			Piston		70 mm	JD-AHC10478	157.77
	AHC13858			I,P-UB-1	40 mm		JD-AHC13485	88.25
	AHC13858			N-N-10		63 mm	JD-AH212088	17.67
GRAPPLE	WP000217			P-UB-1	1-1/2		JD-WP908140	109.65
LIFT	AHC14029			I,P-UB-1	40 mm		JD-AHC13485	88.25
	AHC14029			N-N-10		70 mm	JD-AH212090	16.52
	AHC14029			Piston		70 mm	JD-AH158623	140.91
	AHC14033			I,P-UB-1	40 mm		JD-AHC13485	88.25
	AHC14033			N-N-10		70 mm	JD-AH212090	16.52
MODEL 6115M (H130 Loader)								
BUCKET	AHC10186			I-U-1	25 mm		JD-AHC16980	16.93
	AHC10186			N-N-10,14		40 mm	JD-AHC17687	66.03
LIFT	AH217183			I-U-1	25 mm		JD-AHC16980	16.93
	AH217183			N-N-10,14		40 mm	JD-AHC17687	66.03
MODEL 6115M (H340 Loader)								
BOOM	AHC10578			I,P-UB-1	45 mm		JD-AHC11572	112.05
	AHC10578			N-N-10		80 mm	JD-AH212092	48.69
	AHC10578			Piston		80 mm	JD-RE33968	215.24
	AHC11813	-145042		I,P-UB-1	45 mm		JD-AHC11572	112.05
	AHC11813	-145042		N-N-10		80 mm	JD-AH212092	48.69
	AHC11813	-145042		Piston		80 mm	JD-RE33968	215.24
	AHC11817	-142279		I,P-UB-1	45 mm		JD-AHC11572	112.05
	AHC11817	-142279		N-N-10		80 mm	JD-AH212092	48.69
	AHC11817	-142279		Piston		80 mm	JD-RE33968	215.24
	AHC14098	145043-		I,P-UB-1	45 mm		JD-AHC11572	112.05
	AHC14098	145043-		N-N-10		80 mm	JD-AH212092	48.69
	AHC14098	145043-		Piston		80 mm	JD-RE33968	215.24
	AHC15375	142280-		I,P-UB-1	45 mm		JD-AHC11572	112.05
	AHC15375	142280-		N-N-10		80 mm	JD-AH212092	48.69
	AHC15375	142280-		Piston		80 mm	JD-RE33968	215.24
BUCKET	AHC11815			I,P-UB-1	40 mm		JD-AHC13485	88.25
	AHC11815			N-N-10		70 mm	JD-AH212090	16.52
	AHC11815			Piston		70 mm	JD-AHC10478	157.77
	AHC12621			I,P-UB-1	40 mm		JD-AHC13485	88.25
	AHC12621			N-N-10		70 mm	JD-AH212090	16.52
	AHC12621			N-N-10		2-1/4	JD-AH164325	27.77
	AHC12621			Piston		70 mm	JD-AHC10478	157.77
	AHC15587			I,P-UB-1	40 mm		JD-AHC13485	88.25
	AHC15587			N-N-10		80 mm	JD-AH212092	48.69
	AHC15587			N-N-10		2-1/4	JD-AH164325	27.77
	AHC15635			I,P-UB-1	40 mm		JD-AHC13485	88.25
	AHC15635			N-N-10		70 mm	JD-AH212090	16.52
	AHC15635			Piston		70 mm	JD-AHC10478	157.77
	AHC15768			I-U-10	40 mm	80 mm	JD-SK100195	52.49
	AHC15808			I,P-UB-1	40 mm		JD-AH149194	65.97
	AHC15808			N-N-14		70 mm	JD-AH212089	49.69
	AHC15808			Piston		70 mm	JD-AHC10478	157.77
	DC216594			I,P-UB-1	40 mm		JD-AHC13485	88.25
	DC216594			N-N-10		70 mm	JD-AH212090	16.52
	DC216594			O-rings			JD-DC219572	10.41
	COMPENSATING	DC216595			I,P-UB-1	45 mm		JD-AHC11572
DC216595				N-N-10		80 mm	JD-AH212092	48.69
GRAPPLE	AH205055			I-U-1	32 mm		JD-AH148823	54.99
	AH205055			N-N-10		63 mm	JD-AH212088	17.67
	AH205055			Piston		63 mm	JD-AH142159	140.38

LA - Long Arm LGP - Low Ground Pressure LT - Long Track MFWD - Mechanical Front Wheel Drive MP - Multi-Purpose
 IDM - Inside Dozer Mount ODM - Outside Dozer Mount SLF - Super Long Front STD - Straight Dozer WT - Wide Track

Replacement Kits For

JOHN DEERE®

Tractors									
APPLICATION	CYL #	SERIAL #	Misc	CODE	ROD	BORE	KIT #	List \$	
MODEL 6115R (H130 Loader)									
BUCKET	AHC10186			I-U-1	25 mm		JD-AHC16980	16.93	
	AHC10186			N-N-10,14		40 mm	JD-AHC17687	66.03	
LIFT	AH217183			I-U-1	25 mm		JD-AHC16980	16.93	
	AH217183			N-N-10,14		40 mm	JD-AHC17687	66.03	
MODEL 6115R (H340 Loader)									
BOOM	AHC10578			I,P-UB-1	45 mm		JD-AHC11572	112.05	
	AHC10578			N-N-10		80 mm	JD-AH212092	48.69	
	AHC10578			Piston		80 mm	JD-RE33968	215.24	
	AHC11813	-145042		I,P-UB-1	45 mm		JD-AHC11572	112.05	
	AHC11813	-145042		N-N-10		80 mm	JD-AH212092	48.69	
	AHC11813	-145042		Piston		80 mm	JD-RE33968	215.24	
	AHC11817	-142279		I,P-UB-1	45 mm		JD-AHC11572	112.05	
	AHC11817	-142279		N-N-10		80 mm	JD-AH212092	48.69	
	AHC11817	-142279		Piston		80 mm	JD-RE33968	215.24	
	AHC14098	145043-		I,P-UB-1	45 mm		JD-AHC11572	112.05	
	AHC14098	145043-		N-N-10		80 mm	JD-AH212092	48.69	
	AHC14098	145043-		Piston		80 mm	JD-RE33968	215.24	
	AHC15375	142280-		I,P-UB-1	45 mm		JD-AHC11572	112.05	
	AHC15375	142280-		N-N-10		80 mm	JD-AH212092	48.69	
	AHC15375	142280-		Piston		80 mm	JD-RE33968	215.24	
	BUCKET	AHC11815			I,P-UB-1	40 mm		JD-AHC13485	88.25
		AHC11815			N-N-10		70 mm	JD-AH212090	16.52
AHC11815				Piston		70 mm	JD-AHC10478	157.77	
AHC12621				I,P-UB-1	40 mm		JD-AHC13485	88.25	
AHC12621				N-N-10		70 mm	JD-AH212090	16.52	
AHC12621				N-N-10		2-1/4	JD-AH164325	27.77	
AHC12621				Piston		70 mm	JD-AHC10478	157.77	
AHC15587				I,P-UB-1	40 mm		JD-AHC13485	88.25	
AHC15587				N-N-10		80 mm	JD-AH212092	48.69	
AHC15587				N-N-10		2-1/4	JD-AH164325	27.77	
AHC15635				I,P-UB-1	40 mm		JD-AHC13485	88.25	
AHC15635				N-N-10		70 mm	JD-AH212090	16.52	
AHC15635				Piston		70 mm	JD-AHC10478	157.77	
AHC15768				I-U-10	40 mm	80 mm	JD-SK100195	52.49	
AHC15808				I,P-UB-1	40 mm		JD-AH149194	65.97	
AHC15808				N-N-14		70 mm	JD-AH212089	49.69	
AHC15808				Piston		70 mm	JD-AHC10478	157.77	
DC216594				I,P-UB-1	40 mm		JD-AHC13485	88.25	
DC216594				N-N-10		70 mm	JD-AH212090	16.52	
DC216594				O-rings			JD-DC219572	10.41	
COMPENSATING	DC216595			I,P-UB-1	45 mm		JD-AHC11572	112.05	
	DC216595			N-N-10		80 mm	JD-AH212092	48.69	
GRAPPLE	AH205055			I-U-1	32 mm		JD-AH148823	54.99	
	AH205055			N-N-10		63 mm	JD-AH212088	17.67	
	AH205055			Piston		63 mm	JD-AH142159	140.38	

LA - Long Arm LGP - Low Ground Pressure LT - Long Track MFW - Mechanical Front Wheel Drive MP - Multi-Purpose
 IDM - Inside Dozer Mount ODM - Outside Dozer Mount SLF - Super Long Front STD - Straight Dozer WT - Wide Track

FORMERLY LISTED REPAIR PARTS ARE AVAILABLE ONLINE AT WWW.HERCULESUS.COM
 OR BY CONTACTING YOUR REGIONAL HERCULES SALES TEAM.

REPLACEMENT KITS FOR JOHN DEERE®

IMPORTANT - PLEASE READ

If a kit part number is unknown, the machine model number, serial number, and cylinder application will help identify the repair kit you need.

Example: Model Number **580C**
 Serial Number **5411021**
 Cylinder Application **Backhoe Swing**

If none of the above information is known, size and description of the parts needed will almost always be sufficient.

Kit Number	Code (Pg. xviii)	Rod X Bore Size	List Price	Kit Number	Code (Pg. xviii)	Rod X Bore Size	List Price
JD-905000	TRACK ADJUSTER KIT		\$28.99	JD-4485612	P-UB-14	90 X 125 mm	\$144.21
JD-905001	TRACK ADJUSTER KIT		74.95	JD-4485614	P-UB-14	90 X 130 mm	162.48
JD-905002	TRACK ADJUSTER KIT		31.55	JD-4485615	P-UB-14	95 X 135 mm	192.99
JD-905003	TRACK ADJUSTER KIT		50.03	JD-4614058	P-U-10	40 X 65 mm	163.90
JD-SK100098	TRACK ADJUSTER KIT		22.33	JD-4614059	P-U-10	45 X 85 mm	165.02
JD-SK100099	TRACK ADJUSTER KIT		12.75	JD-4614062	P-U-10	40 X 70 mm	74.79
JD-SK100100	TRACK ADJUSTER KIT		73.65	JD-4614069	P-U-10	45 X 75 mm	107.42
JD-SK100101	TRACK ADJUSTER KIT		48.38	JD-4622066	P-U-14	45 X 95 mm	186.76
JD-SK100102	TRACK ADJUSTER KIT		193.01	JD-4622067	P-U-14	50 X 105 mm	163.82
JD-0611303310	P-OB-11	1-1/16 X 2	9.24	JD-4631062	P-UB-10	105 X 140 mm	301.54
JD-0656604	P-U-10	50 X 100 mm	287.22	JD-4632462	P-U-10	70 X 120 mm	302.51
JD-0656714	P-U-10	50 X 80 mm	163.98	JD-4634033	P-U-10	50 X 85 mm	139.05
JD-0735309	P-U-10	55 X 95 mm	167.93	JD-4634034	P-U-10	45 X 75 mm	127.55
JD-0735609	P-U-10	45 X 75 mm	203.73	JD-4634036	P-U-10	50 X 80 mm	130.37
JD-0744105	P-U-10	35 X 60 mm	99.19	JD-4639936	P-UB-10	95 X 135 mm	328.06
JD-0744408	P-U-10	45 X 75 mm	229.28	JD-4639938	P-UB-10	100 X 145 mm	316.36
JD-0744707	P-U-10	40 X 65 mm	172.87	JD-4639939	P-UB-10	90 X 135 mm	378.12
JD-0744808	P-U-10	45 X 85 mm	150.20	JD-4640107	P-UB-14	105 X 150 mm	683.91
JD-0745308	P-U-10	50 X 95 mm	153.74	JD-4640108	P-UB-14	95 X 145 mm	597.85
JD-0843613	P-U-10	50 X 80 mm	143.06	JD-4640118	P-UB-14	115 X 170 mm	520.71
JD-0843808	P-U-10	50 X 100 mm	99.22	JD-4649050	P-UB-10	100 X 140 mm	334.77
JD-0843907	P-U-10	55 X 100 mm	122.77	JD-4649745	P-UB-14	95 X 135 mm	216.06
JD-0844705	P-U-10	45 X 75 mm	90.14	JD-4649751	P-UB-14	90 X 135 mm	220.44
JD-0844807	P-U-10	55 X 95 mm	153.12	JD-4649752	P-UB-14	105 X 150 mm	302.39
JD-0847204	P-U-10	40 X 75 mm	109.93	JD-4652380	P-U-10	50 X 80 mm	115.50
JD-0849304	P-U-10	45 X 75 mm	121.19	JD-4652380-EX	P-U-10	50 X 80 mm	147.19
JD-0849503	P-U-10	40 X 60 mm	101.71	JD-4652906	P-UB-10	130 X 180 mm	138.42
JD-0850309	P-U-10	45 X 80 mm	127.58	JD-4653040	P-UB-10	115 X 170 mm	299.74
JD-411077	P-U-1	2-3/8	32.95	JD-4653041	P-UB-10	130 X 190 mm	350.94
JD-4324007	P-U-10	35 X 65 mm	126.34	JD-4657449	P-UB-10	90 X 120 mm	316.01
JD-4324009	P-U-10	60 X 110 mm	261.58	JD-4660570	P-UB-10	95 X 145 mm	247.50
JD-4333289	P-U-10	60 X 120 mm	272.07	JD-4662880	P-UB-10	100 X 145 mm	335.15
JD-4369943	P-UB-10	105 X 145 mm	362.45	JD-4661594	P-UB-10	95 X 135 mm	294.78
JD-4388027	P-UB-10	70 X 100 mm	442.43	JD-4661594-EX	P-UB-10	95 X 135 mm	418.87
JD-4415584	P-UB-10	60 X 95 mm	167.83	JD-4662066	P-UB-10	90 X 130 mm	208.54
JD-4448396	P-UB-10	80 X 115 mm	267.14	JD-4662069	P-UB-10	90 X 125 mm	250.57
JD-4448397	P-UB-10	70 X 100 mm	212.98	JD-4662069-EX	P-UB-10	90 X 125 mm	281.19
JD-4448398	P-UB-10	85 X 120 mm	234.11	JD-4662891	P-UB-10	80 X 110 mm	268.44
JD-4448399	P-UB-10	95 X 135 mm	294.78	JD-4662895	P-UB-10	70 X 105 mm	221.41
JD-4464984	P-UB-10	65 X 115 mm	175.70	JD-4662895-EX	P-UB-10	70 X 105 mm	480.49
JD-4464985	P-UB-10	60 X 95 mm	140.04	JD-4663491	P-UB-10	65 X 115 mm	292.32
JD-4464985-EX	P-UB-10	60 X 95 mm	195.07	JD-4663491-EX	P-UB-10	65 X 115 mm	321.25
JD-4464986	P-UB-10	55 X 85 mm	134.00	JD-4663493	P-UB-10	75 X 105 mm	217.52
JD-4464986-EX	P-UB-10	55 X 85 mm	221.36	JD-4667454	P-U-10	30 mm X 55 mm	69.31
JD-4465736	P-UB-10	70 X 120 mm	156.34	JD-4667615	P-U-10	35 mm X 60 mm	63.98
JD-4467379	P-UB-10	80 X 110 mm	291.73	JD-4667617	P-U-10	35 mm X 60 mm	67.79
JD-4467380	P-UB-10	90 X 120 mm	316.01	JD-4667619	P-U-10	30 mm X 60 mm	68.69
JD-4467381	P-UB-10	75 X 105 mm	217.52	JD-4667620	P-U-10	35 X 65 mm	57.15

JOHN DEERE®

REPLACEMENT KITS FOR JOHN DEERE®

Kit Number	Code (Pg. xviii)	Rod X Bore Size	List Price
JD-4667621	P-U-10	30 X 50 mm	\$67.37
JD-4667663	P-UB-10	90 mm X 125 mm	110.98
JD-4672004	P-UB-10	100 X 135 mm	167.95
JD-4672004-EX	P-UB-10	100 X 135 mm	257.28
JD-4686432	P-UB-10	115 X 170 mm	504.91
JD-4687559	P-U-10	60 X 110 mm	235.39
JD-4687559-EX	P-U-10	60 X 110 mm	264.32
JD-4687560	P-U-10	55 X 90 mm	203.08
JD-4687560-EX	P-U-10	55 X 90 mm	214.06
JD-4687561	P-U-10	55 X 95 mm	177.24
JD-4687561-EX	P-U-10	55 X 95 mm	216.67
JD-4687562	P-U-14	70 X 120 mm	293.85
JD-4696459	P-UB-10	60 X 110 mm	98.81
JD-4704455	P-U-10	45 mm X 75 mm	82.92
JD-4S00715	P-UB-10	90 X 125 mm	155.47
JD-4S00715-EX	P-UB-10	90 X 125 mm	186.19
JD-4S00783	P-UB-10	100 X 145 mm	271.38
JD-4S00784	P-UB-10	95 X 140 mm	241.69
JD-4S00834	P-UB-10	80 X 115 mm	105.69
JD-4S00847	P-UB-10	80 X 115 mm	106.05
JD-4S00847-EX	P-UB-10	80 X 115 mm	246.62
JD-4S00849	P-UB-10	70 X 100 mm	92.62
JD-4S00849-EX	P-UB-10	70 X 100 mm	233.55
JD-4S00930	P-UB-10	115 X 170 mm	295.84
JD-4S00959	P-UB-10	120 X 170 mm	158.80
JD-4S00960	P-UB-10	130 X 190 mm	461.15
JD-4S00960-EX	P-UB-10	130 X 190 mm	574.63
JD-4S00961	P-UB-10	115 X 170 mm	299.74
JD-4S07784	P-UB-10	95 X 140 mm	241.69
JD-9180582	P-UB-14	115 X 170 mm	324.44
JD-9207059	P-UB-14	105 X 150 mm	206.49
JD-AA15296	P-N-1	2-1/4	26.68
JD-AH134477	P-UB-1	63 mm Rod Kit	137.19
JD-AH134955	N-N-10	90 mm Piston Kit	18.62
JD-AH137208	N-N-14	125 mm Piston Kit	173.79
JD-AH137209	N-N-14	140 mm Piston Kit	192.09
JD-AH137210	N-N-14	160 mm Piston Kit	167.42
JD-AH137211	N-N-14	180 mm Piston Kit	170.34
JD-AH137687	N-N-14	100 mm Piston Kit	93.75
JD-AH137789	N-N-10	2" Piston Kit	8.14
JD-AH139417	P-U-1	2-1/4 Rod Kit	52.87
JD-AH139418	I-U-8	2-1/4 X 4-1/4	68.30
JD-AH142089	P-UB-1	70 mm Rod Kit	178.92
JD-AH142440	P-V-1	2-1/2 Rod Kit	62.42
JD-AH144593	P-UB-14	75 X 110 mm	432.18
JD-AH144594	P-UB-14	85 X 120 mm	462.92
JD-AH144595	P-UB-14	95 X 130 mm	386.46
JD-AH147868	P-UB-1	45 mm Rod Kit	43.10
JD-AH148164	P-UB-1	50 mm Rod Kit	57.00
JD-AH148453	P-UB-10	95 X 130 mm	464.94
JD-AH148776	P-UB-10	75 X 110 mm	417.83
JD-AH148785	P-UB-10	85 X 120 mm	386.78
JD-AH148823	I-U-1	32 mm Rod Kit	54.99
JD-AH149194	I,P-UB-1	40 mm Rod Kit	65.97
JD-AH149796	P-UB-10	80 X 110 mm	496.53

Kit Number	Code (Pg. xviii)	Rod X Bore Size	List Price
JD-AH149810	P-UB-1	25mm Rod Kit	\$62.20
JD-AH149813	I,P-UB-1	45 mm Rod Kit	79.07
JD-AH149814	P-UB-1	56 mm Rod Kit	77.82
JD-AH149815	P-UB-1	63 mm Rod Kit	79.22
JD-AH149817	I-U-10	32 mm X -1 mm	31.79
JD-AH149842	N-N-14	80 mm Piston Kit	89.42
JD-AH149843	N-N-14	90 mm Piston Kit	88.71
JD-AH149844	N-N-14	100 mm Piston Kit	111.98
JD-AH149845	N-N-14	110 mm Piston Kit	141.24
JD-AH149846	N-N-14	115 mm Piston Kit	157.90
JD-AH149847	N-N-14	102 mm Piston Kit	170.26
JD-AH149848	N-N-14	125 mm Piston Kit	222.45
JD-AH150595	P-UB-10	65 X 95 mm	278.04
JD-AH151107	P-UB-10	70 X 105 mm	410.06
JD-AH151320	N-N-14	200 mm Piston Kit	245.58
JD-AH151321	P-UB-1	100 mm Rod Kit	228.02
JD-AH151382	P-UB-1	95 mm Rod Kit	185.81
JD-AH153496	I-UB-14	32 X 56 mm	99.50
JD-AH153497	P-UB-14	40 X 63 mm	171.52
JD-AH154570	P-UB-1	75 mm Rod Kit	90.15
JD-AH155025	P-UB-10	85 X 115 mm	419.10
JD-AH155040	P-UB-10	75 X 105 mm	613.76
JD-AH155045	P-UB-10	80 X 110 mm	456.06
JD-AH156466	P-UB-1	70 mm Rod Kit	71.41
JD-AH156874	P-UB-1	80 mm Rod Kit	153.30
JD-AH159192	P-UB-1	95 mm Rod Kit	210.49
JD-AH160843	I-U-10	32 mm X 2-1/4	66.86
JD-AH160844	I-U-10	40 mm X 2-1/4	63.72
JD-AH161589	P-UB-1	32 mm Rod Kit	62.61
JD-AH161590	N-N-14	63 mm Piston Kit	119.64
JD-AH161591	N-N-14	56 mm Piston Kit	78.79
JD-AH161781	N-N-10	100 mm Piston Kit	31.00
JD-AH161891	N-N-10	63 mm	108.91
JD-AH163670	N-N-14	110 mm Piston Kit	101.76
JD-AH163671	N-N-14	115 mm Piston Kit	142.10
JD-AH163672	N-N-14	125 mm Piston Kit	151.74
JD-AH163673	N-N-14	140 mm Piston Kit	175.40
JD-AH164325	N-N-10	2-1/4	27.77
JD-AH167533	N-N-10	6 Piston Kit	80.39
JD-AH167552	N-N-10	2 Piston Kit	8.87
JD-AH167596	N-N-10	125 mm	41.07
JD-AH168977	I-U-10	36 mm X 2-1/4	70.69
JD-AH173444	P-UB-10	95 X 135 mm	294.54
JD-AH173451	P-UB-10	80 X 115 mm	412.47
JD-AH173457	P-UB-10	85 X 120 mm	386.78
JD-AH176272	I-U-10	25 X 40 mm	35.66
JD-AH176273	I-U-10	28 X 45 mm	35.99
JD-AH202290	N-N-10	90 mm Piston Kit	20.94
JD-AH207190	P-UB-1	85 mm Rod Kit	136.84
JD-AH207243	P-UB-1	115 mm Rod Kit	219.25
JD-AH209022	I-U-14	50 mm X 3	103.26
JD-AH210287	N-N-14	110 mm Piston Kit	118.62
JD-AH210484	P-UB-1	50 mm Rod Kit	54.78
JD-AH212087	N-N-14	63 mm Piston Kit	119.64
JD-AH212088	N-N-10	2-1/2" Piston Kit	17.67

JOHN DEERE®

REPLACEMENT KITS FOR JOHN DEERE®

Kit Number	Code (Pg. xviii)	Rod X Bore Size	List Price
JD-AH212089	N-N-14	70 mm Piston Kit	\$49.69
JD-AH212090	N-N-10	70 mm Piston Kit	16.52
JD-AH212091	N-N-14	80 mm Piston Kit	112.58
JD-AH212092	N-N-10	80 mm Piston Kit	48.69
JD-AH212096	N-N-14	90 mm Piston Kit	88.71
JD-AH212097	N-N-10	90 mm Piston Kit	20.94
JD-AH212101	N-N-14	100 mm Piston Kit	106.57
JD-AH212102	N-N-10	100 mm Piston Kit	66.68
JD-AH212103	N-N-14	115 mm Piston Kit	157.90
JD-AH212585	N-N-14	110 mm Piston Kit	118.62
JD-AH215765	I-U-10	32 mm X 2	56.43
JD-AH216299	N-N-14	140 mm Piston Kit	197.82
JD-AH225136	P-UB-10	85 X 120 mm	234.11
JD-AH225137	P-UB-10	80 X 115 mm	135.77
JD-AH234770	N-N-14	140 mm	161.56
JD-AH234795	N-N-14	160 mm	114.78
JD-AH65915	N-OB-10	1/2 X 1	13.12
JD-AH78774	P-N-1	1-3/4	25.29
JD-AH78775	P-N-1	2	25.59
JD-AHC11572	I,P-UB-1	45 mm	112.05
JD-AHC11573	P-UB-1	50 mm	146.30
JD-AHC13362	P-UB-1	63 mm	108.85
JD-AHC13485	I,P-UB-1	40	88.25
JD-AHC13542	P-UB-1	75 mm	145.60
JD-AHC15497	N-N-14	140 mm	60.25
JD-AHC15628	I-U-1	25 mm	20.46
JD-AHC15630	I-U-1	36 mm	44.91
JD-AHC16682	N-N-10	63 mm	22.18
JD-AHC16683	P-UB-1	56 mm	71.97
JD-AHC16724	P-UB-1	70 mm	124.66
JD-AHC16728	P-UB-1	95 mm	145.60
JD-AHC16760	N-N-14	125 mm	162.20
JD-AHC16954	P-UB-1	50 mm	89.84
JD-AHC16964	N-N-10	45	27.80
JD-AHC16965	N-N-10	50	36.25
JD-AHC16966	N-N-10	56	35.18
JD-AHC16980	I-U-1	25	16.93
JD-AHC16981	I-U-1	28	12.32
JD-AHC16982	I,P-U-1	32	24.72
JD-AHC17687	N-N-10,14	40	66.03
JD-AHC18638	I,P-U-1	36 mm	72.99
JD-AHC19515	N-N-14	100 mm	75.18
JD-AHC19978	N-N-10,14	100 mm	92.68
JD-AHC19979	N-N-10,14	90 mm	81.82
JD-AHC20467	P-UB-1	50 mm	70.85
JD-AHC20468	P-UB-1	56 mm	105.84
JD-AHC20488	N-N-10,14	80 mm	83.49
JD-AHC20489	N-N-10,14	110 mm	97.61
JD-AHC21126	N-N-10,14	63 mm	79.65
JD-AHC22108	N-N-10	90 mm	66.45
JD-AHC22109	N-N-10	100 mm	74.26
JD-AM127928	P-U-10	1 X 1-3/4	33.29
JD-AM127938	P-UB-1	1-1/4	121.99
JD-AM36221	P-OB-3	1-1/8 X 2	33.28
JD-AR105272	P-U-10	1-1/2 X 3	33.13

Kit Number	Code (Pg. xviii)	Rod X Bore Size	List Price
JD-AR105273	P-U-5	2-1/2 X 5-1/2	\$144.65
JD-AR105275	P-U-10	2-1/2 X 5-1/2	68.33
JD-AR105280	P-U-12	2-1/2 X 6-1/2	191.86
JD-AR105281	P-U-8	2-1/2 X 5-1/2	131.80
JD-AR105309	P-V-8	2-3/4 X 5	113.96
JD-AR105312	P-V-8	3-1/4 X 5-1/2	120.33
JD-AR105313	P-V-8	3-1/4 X 5-1/2	117.04
JD-AR105320	P-U-10	1-3/4 X 3-3/4	53.35
JD-AR105346	P-V-8	2-1/4 X 5-1/4	94.62
JD-AR105351	P-V-8	2-1/4 X 4-1/2	92.20
JD-AR105355	P-V-8	2-1/4 X 4-1/2	111.66
JD-AR105356	P-V-8	2-1/4 X 5-1/4	88.38
JD-AR105381	P-V-8	2 X 3-3/4	57.75
JD-AR105384	P-V-8	2 X 4-1/2	81.62
JD-AR105387	P-V-8	2 X 4	59.80
JD-AR105391	P-V-8	2 X 4-1/4	64.26
JD-AR105392	P-V-8	2 X 3-1/2	52.35
JD-AR105393	P-V-8	2 X 4	75.57
JD-AR105402	P-V-8	1-3/4 X 3-1/4	52.89
JD-AR105403	P-V-8	1-3/4 X 2-3/4	57.17
JD-AR105408	P-V-8	1-3/4 X 4	61.39
JD-AR105412	P-V-8	1-3/4 X 3-1/2	98.99
JD-AR105429	P-V-8	1-1/2 X 3-1/4	47.91
JD-AR105430	P-V-8	1-1/2 X 2-3/4	44.38
JD-AR105432	P-V-8	1-1/2 X 3-1/2	59.63
JD-AR105441	P-V-8	2-1/2 X 4-1/2	99.21
JD-AR105443	P-V-8	2-1/2 X 5-1/2	141.96
JD-AR105453	P-V-8	1-1/4 X 2-1/2	47.45
JD-AR105454	P-V-8	1-1/4 X 3	50.93
JD-AR105515	P-U-5	2 X 4-1/2	124.36
JD-AR105537	P-V-10	1-3/4 X 2-3/4	56.92
JD-AR105722	P-V-8	1-1/2 X 3	52.87
JD-AR105932	P-V-8	2 X 3-1/2	52.35
JD-AR96518	P-V-8	1-3/4 X 3-1/2	76.24
JD-AR96526	P-V-8	2-1/2 X 4	93.83
JD-AR96527	P-V-8	1-3/4 X 4	61.39
JD-AR96532	P-U-8	1-1/2 X 2-1/4	32.70
JD-AR98255	P-U-5	2-5/8 X 5-1/2	148.50
JD-AR99785	P-OB-8	1-1/2 X 2-1/2	27.64
JD-AT101337	I-U-4	1-1/4 X 2-1/2	81.39
JD-AT101377	I-U-4	1-1/4 X 2-1/2	102.72
JD-AT108329	I-U-10	32 X 60 mm	57.92
JD-AT114822	P-UB-10	85 X 125 mm	206.13
JD-AT114831	P-UB-10	95 X 135 mm	247.37
JD-AT114836	P-UB-10	80 X 120 mm	204.57
JD-AT119302	P-UB-1	2-1/2" Rod Kit	43.81
JD-AT119306	N-N-10	3	36.44
JD-AT119307	N-N-10	4" Piston Kit	38.90
JD-AT120007	N-N-10	7" Piston Kit	173.54
JD-AT120008	P-UB-1	4" Rod Kit	103.62
JD-AT121499	P-UB-10	35 X 65 mm	151.19
JD-AT121500	P-UB-10	60 X 110 mm	192.19
JD-AT121501	P-UB-10	65 X 120 mm	195.18
JD-AT122564	P-UB-10	60 X 110 mm	168.23
JD-AT122580	P-UB-10	35 X 60 mm	119.92

REPLACEMENT KITS FOR JOHN DEERE®

Kit Number	Code (Pg. xviii)	Rod X Bore Size	List Price
JD-AT130600	P-UB-10	65 X 95 mm	\$183.68
JD-AT130601	P-UB-10	70 X 105 mm	228.30
JD-AT130602	P-UB-10	60 X 95 mm	156.89
JD-AT132411	P-UB-10	115 X 170 mm	389.24
JD-AT132412	P-UB-10	130 X 190 mm	416.86
JD-AT138119	P-UB-10	50 X 100 mm	215.03
JD-AT138137	P-UB-10	100 X 200 mm	466.65
JD-AT138138	P-UB-10	95 X 170 mm	369.08
JD-AT142582	P-U-10	2 X 3	64.47
JD-AT154867	P-UB-14	90 X 125 mm	263.70
JD-AT154868	P-UB-14	100 X 135 mm	230.67
JD-AT161017	P-U-10	4 X 7	169.65
JD-AT164742	P-U-10	60 X 110 mm	261.58
JD-AT164758	P-U-10	35 X 65 mm	126.34
JD-AT168764	P-UB-10	65 X 100 mm	214.14
JD-AT176734	P-UB-10	105 X 145 mm	357.73
JD-AT176737	P-UB-10	65 X 95 mm	242.34
JD-AT176822	P-UB-10	70 X 105 mm	225.63
JD-AT177556	P-UB-10	80 X 110 mm	313.54
JD-AT180161	3-5/8 Swivel Kit		180.94
JD-AT181250	P-UB-14	85 X 125 mm	185.76
JD-AT181792	P-UB-14	95 X 145 mm	209.84
JD-AT181794	P-UB-14	100 X 145 mm	248.16
JD-AT181799	P-UB-14	110 X 165 mm	301.94
JD-AT183658	P-UB-14	100 X 135 mm	242.34
JD-AT190877	P-V-14	2-1/2 X 5-1/2	129.40
JD-AT190898	I-U-10	2 X 3	109.49
JD-AT191391	P-V-10	1-1/2 X 3	115.96
JD-AT191403	P-U-10	1 X 2	145.53
JD-AT192075	P-UB-10	85 X 120 mm	161.48
JD-AT192095	P-UB-10	75 X 105 mm	156.95
JD-AT192095-EX	P-UB-10	75 X 105 mm	230.90
JD-AT194335	P-U-10	80 X 115 mm	337.95
JD-AT194457	P-UB-10	100 X 150 mm	271.50
JD-AT196469	P-UB-10	65 X 95 mm	406.04
JD-AT196471	P-UB-10	115 X 170 mm	494.16
JD-AT196472	P-UB-14	110 X 165 mm	388.49
JD-AT196473	P-UB-14	95 X 145 mm	346.40
JD-AT196475	P-UB-14	100 X 145 mm	328.95
JD-AT200548	P-UB-10	65 X 115 mm	264.72
JD-AT200549	P-UB-10	60 X 95 mm	199.63
JD-AT200550	P-UB-10	55 X 85 mm	210.49
JD-AT200573	P-UB-10	60 X 105 mm	200.83
JD-AT200574	P-UB-10	50 X 80 mm	188.96
JD-AT201184	P-UB-14	110 X 165 mm	377.58
JD-AT201185	P-UB-14	95 X 145 mm	365.61
JD-AT204236	P-U-10	60 X 120 mm	272.07
JD-AT205923	P-UB-14	95 X 145 mm	329.91
JD-AT216093	I-U-5	1-1/8 X 2-1/2	41.76
JD-AT216094	I-U-5	2 X 3	44.70
JD-AT216095	I-U-5	2 X 3	44.70
JD-AT216348	O-rings		0.55
JD-AT217906	P-UB-14	100 X 135 mm	263.22
JD-AT251859	P-U-10	50 X 100 mm	287.22

Kit Number	Code (Pg. xviii)	Rod X Bore Size	List Price
JD-AT251867	P-U-10	50 X 80 mm	\$163.98
JD-AT251952	P-U-10	55 X 95 mm	167.93
JD-AT251964	P-U-10	45 X 75 mm	203.73
JD-AT260416	P-UB-10	1-1/4 X 2	172.01
JD-AT264180	O-rings		84.05
JD-AT264430	P-UB-14	95 X 135 mm	432.01
JD-AT264438	P-UB-14	100 X 145 mm	394.49
JD-AT264439	P-UB-14	90 X 135 mm	441.98
JD-AT264440	P-UB-14	105 X 150 mm	470.83
JD-AT264441	P-UB-14	115 X 170 mm	458.44
JD-AT264445	P-UB-10		105.81
JD-AT302758	P-UB-10	130 X 190 mm	527.90
JD-AT304940	3-5/8 Swivel Kit		180.94
JD-AT314427	P-UB-14	120 X 170 mm	702.69
JD-AT339879	I-U-10	2-1/2 X 4	46.36
JD-AT343210	I-U-5	1-1/4 X 2	22.78
JD-AT348039	N-N-14	6	128.73
JD-AT34932	I-U-10	3-3/4 X 4	56.70
JD-AT34933	I-U-1	3-3/4 Rod Kit	52.18
JD-AT35142	P-U-10	3 X 3-1/4	86.47
JD-AT364597	P-UB-12	3-1/2 X 6	216.33
JD-AT38068	P-U-10	2-5/8 X 3	54.95
JD-AT383237	I-UB-14	2-1/2 X 4	585.66
JD-AT384823	P-UB-1	3-1/2	215.31
JD-AT38582	USE JD-RE18732		#N/A
JD-AT38583	USE JD-RE13277		#N/A
JD-AT39022	P-U-1	2-5/8 X 3	27.77
JD-AT39023	P-UB-1	3 X 3-1/4	61.79
JD-AT41687	P-U-8	1-1/4 X 2-1/4	44.39
JD-AT41688	P-U-8	1-1/2 X 2-1/4	41.11
JD-AT49348	USE JD-AR105356		#N/A
JD-AT50213	I-U-1	1-1/4 Soft Seal Rod Kit	51.08
JD-AT50214	I-U-12	1-1/4 X 2-1/2 Major Kit	175.40
JD-AT55695	P-U-10	1-3/4 X 4	36.26
JD-AT78498	I-U-10	25 X 50 mm	73.23
JD-AT79722	I-U-5	1-1/2 X 3	61.96
JD-AT85197	O-RING KIT	24.97	33.17
JD-AU149810	P-UB-1	25 mm Rod Kit	62.20
JD-CB11410662	Shaft Seal Kit		207.82
JD-CB11439892	P-U-5	1-1/4 X 2-1/2	45.68
JD-CB11439893	P-U-5	2 X 3	50.61
JD-CB11439894	P-U-5	2 X 3	50.56
JD-CB11457276	I-U-10	2 X 3	48.47
JD-CB11457277	I-U-10	1-1/4 X 2-1/2	103.44
JD-CB11457801	P-U-10	2-1/2 X 4	117.51
JD-CB11471834	O-rings		22.77
JD-CB11473939	P-U-10	2 X 3	30.13
JD-CB11473940	P-U-10	2 X 3	30.11
JD-CB11473942	P-U-10	1-1/4 X 2-1/2	23.11
JD-CB11479459	P-U-10	2 X 3	30.11
JD-DC219572	O-rings	O-rings	10.41
JD-F435828	P-UB-10	3-1/2 X 7	180.08
JD-F437037	P-UB-14	4 X 6-1/2	482.10
JD-F437043	P-UB-14	4 X 7	479.94

JOHN DEERE®

REPLACEMENT KITS FOR JOHN DEERE®

JOHN DEERE®

Kit Number	Code (Pg. xviii)	Rod X Bore Size	List Price
JD-FXB00001834	P-UB-14	85 mm X 130 mm	\$236.43
JD-FYA00001392	P-UB-10	80 mm X 115 mm	135.94
JD-FYA00001393	P-UB-10	80 mm X 115 mm	105.69
JD-FYA00001395	P-UB-10	80 mm X 115 mm	93.28
JD-FYA00001396	P-UB-10	85 mm X 120 mm	135.28
JD-FYA00001398	P-UB-10	95 mm X 140 mm	162.73
JD-FYA00001398-EX	P-UB-10	95 mm X 140 mm	257.62
JD-FYA00001399	P-UB-10	95 mm X 135 mm	340.11
JD-FYA00001400	P-UB-10	95 mm X 135 mm	177.54
JD-FYA00006591	P-UB-10	100 mm X 140 mm	177.94
JD-FYA00006591-EX	P-UB-10	100 mm X 140 mm	272.85
JD-FYA00006593	P-UB-10	95 mm X 135 mm	333.87
JD-FYA00006594	P-UB-10	105 mm X 150 mm	259.64
JD-FYA00006595	P-UB-10	90 mm X 135 mm	386.39
JD-FYA00006596	P-UB-10	100 mm X 145 mm	161.45
JD-FYA00006596-EX	P-UB-10	100 mm X 145 mm	296.98
JD-FYA00008675	P-UB-10	105 mm X 150 mm	312.65
JD-FYA00008823	P-UB-10	95 mm X 135 mm	203.96
JD-FYA00008826	P-UB-10	90 mm X 135 mm	231.50
JD-FYA00008837	P-UB-10	115 mm X 170 mm	570.09
JD-FYA00008840	P-UB-10	100 mm X 145 mm	512.90
JD-FYA00008843	P-UB-10	95 mm X 140 mm	479.99
JD-FYA00009240	P-UB-10	70 mm X 105 mm	94.77
JD-FYA00010733	P-UB-14	105 mm X 150 mm	297.57
JD-FYA00010734	P-UB-14	95 mm X 135 mm	194.10
JD-FYA00010735	P-UB-14	90 mm X 135 mm	235.24
JD-FYA00011420	P-UB-10	70 mm X 100 mm	81.72
JD-FYA00012899	P-UB-10	70 mm X 105 mm	258.31
JD-FYA00012900	P-UB-10	80 mm X 115 mm	236.34
JD-FYA00012901	P-UB-10	70 mm X 100 mm	300.64
JD-FYA00012902	P-UB-10	80 mm X 110 mm	347.85
JD-FYA00012903	P-UB-10	90 mm X 120 mm	454.89
JD-FYA00012904	P-UB-10	75 mm X 105 mm	331.22
JD-FYA00012905	P-UB-10	85 mm X 120 mm	304.88
JD-FYA00012906	P-UB-10	90 mm X 125 mm	409.82
JD-FYA00012907	P-UB-10	75 mm X 105 mm	249.27
JD-FYD00000072	P-UB-10	50 mm X 80 mm	109.58
JD-FYD00000074	P-U-10	50 mm X 90 mm	91.46
JD-FYD00000078	P-UB-10	55 mm X 85 mm	86.54
JD-FYD00000085	P-UB-10	60 mm X 110 mm	463.64
JD-FYD00000086	P-UB-10	55 mm X 90 mm	436.65
JD-FYD00000087	P-UB-10	50 mm X 80 mm	401.21
JD-FYD00003234	P-UB-10	55 mm X 95 mm	129.93
JD-FYD00003245	P-UB-14	70 mm X 120 mm	144.13
JD-FYD00003878	P-U-10	35 mm X 60 mm	37.75
JD-FYD00003882	P-U-10	35 mm X 60 mm	43.55
JD-FYD00003884	P-U-10	30 mm X 55 mm	48.17
JD-FYD00003885	P-U-10	30 mm X 60 mm	65.96
JD-FYD00003886	P-U-10	35 mm X 65 mm	41.69
JD-FYD00003887	P-U-10	30 mm X 50 mm	56.40
JD-FYD00005420	P-U-10	50 mm X 95 mm	105.95
JD-FYD00005421	P-U-10	40 mm X 65 mm	62.40
JD-FYD00006229	P-UB-10	65 mm X 115 mm	271.93
JD-FYD00006230	P-UB-10	60 mm X 95 mm	106.66
JD-FYD00006231	P-UB-10	65 mm X 115 mm	304.91

Kit Number	Code (Pg. xviii)	Rod X Bore Size	List Price
JD-FYD00009136	P-U-14	40 mm X 70 mm	\$53.18
JD-LVA14168	I-U-10	22 mm X 45 mm	47.86
JD-LVA14998	P-U-10,12	1-1/8 X 2-1/2	79.06
JD-LVA20425	P-UB-1	1-1/2	72.79
JD-LVA22190	P-OB-10	1-1/8 X 2	127.58
JD-LVA22191	P-U-10,12	1 X 2	65.62
JD-LVA22193	P-UB-1	1-1/4	124.70
JD-LVA23094	P-UB-10,12	1-1/4 X 2-1/2	78.87
JD-LVA23232	P-OB-10,12	1-1/8 X 2	43.93
JD-LVA23924	P-UB-1	1-1/4	108.16
JD-PT5173	I-N-8	1-1/2 X 2	61.80
JD-PT8230	P-V-8	1 X 2	110.76
JD-RE10223	P-V-8	1-3/4 X 4	53.05
JD-RE10224	P-V-8	2-1/2 X 5-1/2	127.91
JD-RE10640	P-V-8	2-1/4 X 4-1/2	83.66
JD-RE12912	P-V-14	1-3/4 X 3-1/2	132.04
JD-RE13277	P-V-8	2-1/2 X 5-1/2	137.81
JD-RE13745	P-V-1	2-1/2 Rod Kit	49.14
JD-RE14022	N-N-14	6-1/4 Piston Kit	177.86
JD-RE14033	N-N-14	7-1/2 Piston Kit	217.65
JD-RE14082	N-N-14	3 Piston Kit	93.27
JD-RE14088	P-V-1	1-1/2 Rod Kit	33.72
JD-RE14094	N-N-14	4-1/2 Piston Kit	109.04
JD-RE14100	N-N-14	5-1/4 Piston Kit	142.31
JD-RE14102	N-N-14	5-1/2 Piston Kit	164.17
JD-RE14104	N-N-14	6-1/4 Piston Kit	168.98
JD-RE14208	P-V-1	2-1/4 Rod Kit	50.41
JD-RE14454	P-V-1	2-1/4 Rod Kit	48.91
JD-RE14516	P-U-1	2-1/2 Rod Kit	50.70
JD-RE14517	N-N-14	3-1/2 Piston Kit	100.77
JD-RE14523	N-N-14	4-1/2 Piston Kit	109.04
JD-RE14538	P-V-1	2-1/4 Rod Kit	37.79
JD-RE14550	P-V-1	1-3/4	24.29
JD-RE14551	N-N-10	2 Piston Kit	15.23
JD-RE14552	P-U-1	1 Rod Kit	17.67
JD-RE14555	N-N-14	4 Piston Kit	101.40
JD-RE14556	P-U-1	2 Rod Kit	33.49
JD-RE14563	N-N-10	4-1/4 Piston Kit	42.89
JD-RE14567	N-N-14	4 Piston Kit	108.07
JD-RE14744	N-N-14	5 Piston Kit	134.63
JD-RE14745	P-V-1	2-1/2 Rod Kit	57.81
JD-RE14771	N-N-14	3-3/4 Piston Kit	85.49
JD-RE14772	N-N-10	2-3/4 Piston Kit	23.76
JD-RE14773	P-U-1	1-1/4 Rod Kit	31.00
JD-RE14877	N-N-14	5-1/2 Piston Kit	164.17
JD-RE14878	P-V-1	2-3/4 Rod Kit	64.59
JD-RE14879	N-N-14	6 Piston Kit	167.98
JD-RE14880	P-U-1	2-3/4 Rod Kit	58.91
JD-RE14910	N-N-14	5-1/2 Piston Kit	164.17
JD-RE15708	P-V-1	3-3/4 Rod Kit	137.81
JD-RE15905	N-N-14	5 Piston Kit	134.63
JD-RE15906	P-V-1	3-1/4 Rod Kit	59.87
JD-RE15907	N-N-14	5-1/2 Piston Kit	164.17
JD-RE16076	N-N-14	3-1/2 Piston Kit	101.90
JD-RE16118	N-N-14	4 Piston Kit	105.13

REPLACEMENT KITS FOR JOHN DEERE®

Kit Number	Code (Pg. xviii)	Rod X Bore Size	List Price
JD-RE16119	P-V-1	2 Rod Kit	\$35.25
JD-RE16208	N-N-14	3 Piston Kit	92.02
JD-RE16209	P-V-1	1-3/4 Rod Kit	41.28
JD-RE16991	P-V-1	2-3/4 Rod Kit	111.16
JD-RE16992	P-V-1	3 Rod Kit	84.48
JD-RE17097	N-N-10	3-1/2 Piston Kit	17.42
JD-RE17099	N-N-10	3-3/4 Piston Kit	20.98
JD-RE17342	P-V-1	2-3/4 Rod Kit	84.13
JD-RE17345	P-V-1	2-1/2 Rod Kit	61.79
JD-RE17351	N-N-14	5-1/2 Piston Kit	164.17
JD-RE17458	N-N-14	4-1/4 Piston Kit	111.16
JD-RE18202	N-N-10	3 Piston Kit	13.36
JD-RE18203	P-V-1	1-1/2 Rod Kit	36.58
JD-RE18708	N-N-14	3-1/2 Piston Kit	100.77
JD-RE18730	P-V-8	1-3/4 X 4	61.39
JD-RE18731	P-U-10	2-1/2 X 4-1/4	110.17
JD-RE18732	P-V-8	2 X 4	61.68
JD-RE18733	P-V-8	2 X 4	50.42
JD-RE18734	P-V-8	2-1/2 X 5-1/2	128.66
JD-RE18735	P-V-14	2-1/2 X 4	151.29
JD-RE18736	P-V-8	1-3/4 X 4	56.40
JD-RE18737	P-V-8	2 X 4-1/2	75.20
JD-RE18738	P-V-10	2 X 4	42.41
JD-RE18739	P-V-8	2-1/4 X 4-1/4	76.83
JD-RE18740	P-V-14	2-1/2 X 5-1/2	220.11
JD-RE18741	P-V-14	2 X 4	130.06
JD-RE18742	P-V-10	1-1/2 X 3-1/2	76.60
JD-RE18743	P-V-8	2 X 5	72.25
JD-RE18744	P-V-8	2-3/4 X 6-1/4	187.77
JD-RE18745	P-U-14	2-1/2 X 5-1/2	144.55
JD-RE18746	P-V-8	2-1/2 X 5-1/4	90.68
JD-RE18747	P-V-8	2 X 3-1/4	58.12
JD-RE18748	P-V-8	2 X 3-1/2	73.47
JD-RE18749	P-U-10	7/8 X 2	32.77
JD-RE18750	P-U-8	1-1/4 X 3	39.95
JD-RE18751	P-V-8	1-3/4 X 3	48.69
JD-RE18752	P-V-8	1-3/4 X 3	50.39
JD-RE18754	P-V-8	1-3/4 X 3-1/2	76.24
JD-RE18755	P-V-8	1-3/4 X 3-1/2	61.45
JD-RE18756	P-U-10	1-3/4 X 3-1/2	64.47
JD-RE18757	P-V-8	2-1/4 X 3-1/2	82.12
JD-RE18758	P-V-14	2-1/4 X 3-1/2	133.04
JD-RE18759	P-V-8	2-1/4 X 5	121.28
JD-RE18760	P-V-8	2-1/2 X 4-1/2	87.06
JD-RE18762	P-V-8	3-1/4 X 6-1/4	183.54
JD-RE18763	P-U-8	3-3/4 X 5-1/2	143.72
JD-RE18764	P-V-14	2-1/4 X 4-1/2	151.81
JD-RE18765	P-V-10,12	2 X 3-1/2	66.51
JD-RE19216	P-U-10	3 X 3-1/4	57.75
JD-RE19217	P-V-8	1-1/2 X 2-1/2	40.05
JD-RE19218	P-U-8	2 X 3	58.52
JD-RE19220	P-V-8	1-3/4 X 2-3/4	51.54
JD-RE19222	P-V-8	1-1/2 X 2-3/4	47.64
JD-RE19224	I-U-10	4-1/4 X 4.40	63.76
JD-RE19225	P-V-14	2 X 4-1/2	141.41

Kit Number	Code (Pg. xviii)	Rod X Bore Size	List Price
JD-RE19226	I-U-1	3-3/8 X 3-5/8	\$60.29
JD-RE19227	I-U-10	3-3/8 X 3-5/8	56.79
JD-RE20323	P-V-1	4 Rod Kit	108.74
JD-RE20329	P-V-1	3-3/4 Rod Kit	101.16
JD-RE20351	P-V-1	2-1/2 Rod Kit	55.44
JD-RE20428	N-N-14	70 mm Piston Kit	56.39
JD-RE20430	N-N-14	90 mm Piston Kit	63.85
JD-RE20433	P-UB-1	40 mm Rod Kit	76.06
JD-RE20434	P-UB-1	45 mm Rod Kit	76.53
JD-RE20595	P-UB-1	50 mm Rod Kit	67.60
JD-RE20874	P-V-1	1-3/4 Rod Kit	46.54
JD-RE21202	P-UB-1	3-3/4 Rod Kit	239.99
JD-RE21395	P-UB-1	2-3/4 Rod Kit	168.98
JD-RE21401	P-UB-1	3-1/4 Rod Kit	115.87
JD-RE21873	P-UB-1	32 mm Rod Kit	65.12
JD-RE21874	N-N-14	50 mm Piston Kit	65.06
JD-RE21875	P-UB-1	25 mm Rod Kit	66.70
JD-RE25151	P-UB-1	63 mm Rod Kit	144.81
JD-RE25152	P-UB-1	80 mm Rod Kit	211.97
JD-RE28899	P-UB-1	63 mm Rod Kit	138.14
JD-RE29103	P-UB-1	70 mm	178.92
JD-RE30100	N-N-10	2-1/4 Piston Kit	8.66
JD-RE30816	N-N-14	3-1/4 Piston Kit	86.85
JD-RE30817	P-V-1	2 Rod Kit	42.96
JD-RE30874	P-V-1	1-3/4 Rod Kit	38.40
JD-RE31138	N-N-14	80 mm Piston Kit	70.69
JD-RE31139	N-N-14	100 mm Piston Kit	124.74
JD-RE31140	N-N-14	115 mm Piston Kit	155.26
JD-RE31528	P-U-1	3-3/4 Rod Kit	97.19
JD-RE31716	P-UB-1	56 mm Rod Kit	118.05
JD-RE33803	N-N-14	50 mm Piston Kit	70.90
JD-RE37003	N-N-10	80 mm Piston Kit	19.99
JD-RE37004	N-N-10	70 mm Piston Kit	14.03
JD-RE37462	P-UB-1	70 mm Piston Kit	187.42
JD-SK100091	I-U-1	40 mm	23.82
JD-SK100092	P-U-1	40 mm	49.30
JD-SK100093	I-U-1	40 mm	23.82
JD-SK100094	P-U-1	40 mm	49.30
JD-SK100195	I-U-10	40 X 80 mm	52.49
JD-SK100213	P-UB-10	45 mm X 70 mm	66.68
JD-T153744	I-U-10	36 X 65 mm	130.08
JD-T213801	I-U-10	38 mm X 65 mm	145.55
JD-T218502	I-U-10	40 X 65 mm	151.46
JD-TH0729006	P-U-10	45 X 85 mm	102.36
JD-TH0743805	P-U-10	40 X 75 mm	110.87
JD-TH0744010	P-U-10	40 X 70 mm	68.33
JD-TH0744408	P-U-10	45 X 75 mm	229.28
JD-TH0744707	P-U-10	40 X 65 mm	172.87
JD-TH0744808	P-U-10	45 X 85 mm	150.20
JD-TH0745308	P-U-10	50 X 95 mm	153.74
JD-TH102798	P-UB-10	95 X 140 mm	280.44
JD-TH102827	P-UB-10	105 X 150 mm	270.99
JD-TH102845	P-UB-10	90 X 140 mm	246.80
JD-TH103324	P-UB-10	110 X 160 mm	243.17
JD-TH103347	P-UB-10	110 X 160 mm	309.88

REPLACEMENT KITS FOR JOHN DEERE®

Kit Number	Code (Pg. xviii)	Rod X Bore Size	List Price
JD-TH103357	P-UB-10	95 X 150 mm	\$272.10
JD-TH106099	P-UB-10	60 X 100 mm	237.98
JD-TH106853	P-UB-10	55 X 90 mm	316.35
JD-TH106874	P-UB-10	60 X 110 mm	159.46
JD-TH109339	P-UB-10	75 X 105 mm	162.44
JD-TH109366	P-UB-10	80 X 115 mm	185.89
JD-TH109390	P-UB-10	65 X 95 mm	168.61
JD-TH110035	P-UB-14	90 X 135 mm	254.92
JD-TH110064	P-UB-14	100 X 145 mm	273.23
JD-TH110661	P-UB-10	65 X 115 mm	199.75
JD-TH110662	P-UB-10	60 X 100 mm	124.90

Kit Number	Code (Pg. xviii)	Rod X Bore Size	List Price
JD-TH110663	P-UB-10	55 X 90 mm	\$139.09
JD-TH111625	P-UB-14	95 X 145 mm	340.17
JD-TH111626	P-UB-14	100 X 145 mm	342.98
JD-TH111627	P-UB-14	110 X 165 mm	402.43
JD-TH111701	P-UB-10	65 X 115 mm	230.11
JD-TH111854	P-UB-14	105 X 150 mm	361.28
JD-TT224412	O-rings		3.89
JD-TY7188	P-U-1	1-1/16	11.52
JD-WP903065	P-U-10	1-1/8 X 1-3/4	68.85
JD-WP908140	P-UB-1	1-1/2	109.65

JOHN DEERE® WEAR RINGS

Original equipment John Deere® metric kits do not include the wear rings required to rebuild a cylinder. The John Deere metric kits listed in this catalog reflect this design. However, we do offer the necessary wear rings required to rebuild John Deere cylinders. The cross reference chart below lists the wear rings needed to accompany the packing kits. If you have any questions, please contact one of our sales engineers.

Kit Number	Wear Ring Part Number	QTY	List Price
JD-TH102798	TH102796	2	\$20.60
	TH102797	2	57.69
JD-TH102827	TH102825	2	20.75
	TH102826	2	63.71
JD-TH102845	TH102796	2	20.60
	TH102797	2	57.69
JD-TH103347	TH103345	2	22.50
	TH103346	2	78.30
JD-TH103357	TH102825	2	20.75
	TH102826	2	63.71

Kit Number	Wear Ring Part Number	QTY	List Price
JD-TH111625	TH110062	2	\$73.01
	AT159585	2	21.82
JD-TH111626	TH110062	2	73.01
	TH110063	2	27.14
JD-TH111627	TH111273	2	31.93
	TH111274	2	154.68
JD-TH111854	TH111845	2	76.51
	TH111846	2	28.03
JD-AT132412	AT132186	2	33.15
	AT132170	2	99.72

Kit Number	Wear Ring Part Number	QTY	List Price
JD-AT176737	TH109377	2	\$12.24
	TH109378	2	42.35
JD-AT201184	TH111273	2	31.93
	TH111274	2	154.68
JD-AT201185	TH110062	2	73.01
	TH110063	2	27.14

REPLACEMENT KITS FOR JOHN DEERE®

NOTE: John Deere part numbers are used as a reference only. We do not imply that these kits are original REPLACEMENT PARTS.

BACK-UP RINGS

Part Number	Min. Pkg. Qty	List Price
JD-0254905	1	\$3.16
JD-0257005	1	22.27
JD-0653302	1	1.89
JD-0686706	1	10.52
JD-0826909	1	1.96
JD-0836107	1	15.79
JD-0892105	1	2.70
JD-0894404	1	1.83
JD-0901704	1	4.23
JD-0971212	1	3.21
JD-0971220	1	2.59
JD-0971321	1	2.70
JD-0971410	1	38.75
JD-1148814	1	46.68
JD-1237120	1	2.91
JD-1237318	1	37.34
JD-4633512	1	13.87
JD-4694682	1	13.87
JD-4S00769	1	17.08
JD-4S00778	1	14.45
JD-4S00802	1	17.08
JD-AT133634	1	11.24
JD-AT153829	1	1.50
JD-AT153919	1	11.26
JD-AT153935	1	11.83
JD-AT153951	1	10.52
JD-AT174374	1	1.83
JD-AT264243	1	9.65
JD-AT264246	1	22.27
JD-AT264257	1	11.24
JD-AT264259	1	1.50
JD-AT264351	1	13.57
JD-AT264358	1	13.57
JD-AT264359	1	2.49
JD-AT309614	1	14.60
JD-FXB00001809	1	64.59
JD-FXB00001813	1	14.04
JD-FXB00001819	1	6.13
JD-FXB00002055	1	13.57
JD-FXB00002065	1	2.03
JD-FXB00002091	1	11.24
JD-FXB00002093	1	3.37
JD-FXB00002463	1	3.65
JD-FXB00002467	1	2.92
JD-FXB00004943	1	6.23
JD-FXB00000830	1	2.56
JD-FXB00000838	1	5.96
JD-FXB00004742	1	13.03

BACK-UP RINGS

Part Number	Min. Pkg. Qty	List Price
JD-FXB00004749	1	\$2.95
JD-FYA00008821	1	13.57
JD-H155310	1	13.57
JD-H155316	1	14.45
JD-H155916	1	13.13
JD-H178691	1	14.24
JD-L2309CU	5	2.14
JD-R34966	1	6.97
JD-R35473	5	4.74
JD-R35474	1	6.53
JD-R42926	25	0.44
JD-R43689	3	6.31
JD-R56753	10	1.08
JD-R69480	10	1.44
JD-R69481	5	1.64
JD-R78388	9	1.02
JD-R78806	5	1.98
JD-R78807	2	5.89
JD-R78823	7	1.36
JD-R78940	9	0.97
JD-R78993	10	1.48
JD-R78994	3	2.87
JD-R79001	5	2.61
JD-R81189	8	1.10
JD-R81194	10	1.20
JD-R81195	7	1.64
JD-R82728	5	2.65
JD-TH0332704	1	6.51
JD-TH104926	1	13.57
JD-TH104929	1	1.83
JD-TH104953	1	13.57
JD-TH109315	1	11.24
JD-TH110055	1	15.04
JD-U10748	5	2.63

CUSHION SEALS

Part Number	List Price
JD-0667007	\$34.44
JD-0956612	23.69
JD-4469113	31.27
JD-4S00770	53.78
JD-4S00800	23.69
JD-4S00940	94.01
JD-4S01123	27.69
JD-H155320	35.97
JD-H155322	28.56
JD-H155919	37.27
JD-H227908	38.71

RETAINER RINGS

Part Number	List Price
JD-0971306	\$12.99
JD-0971412	12.08

BUFFER RINGS

Part Number	Rod Diameter	List Price
JD-AH146560	45 mm	\$10.99
JD-RE20491	45 mm	27.89
JD-AH146561	50 mm	30.82
JD-FYD00001146	50 mm	21.19
JD-RE20757	50 mm	34.03
JD-FYD00001136	55 mm	21.31
JD-AH146562	56 mm	36.65
JD-0826908	60 mm	30.27
JD-FYD00001124	60 mm	30.27
JD-0790008	65 mm	36.00
JD-FXB00000827	65 mm	39.69
JD-0789310	70 mm	39.30
JD-AT153914	70 mm	67.80
JD-AH144606	75 mm	72.05
JD-AH148777	75 mm	72.05
JD-H227913	80 mm	44.24
JD-AT153931	80 mm	76.33
JD-T108042	80 mm	44.24
JD-FXB00001810	85 mm	47.47
JD-AH144607	85 mm	41.81
JD-AH148786	85 mm	80.56
JD-H227911	85 mm	15.20
JD-0971408	90 mm	57.30
JD-4S00706	90 mm	57.30
JD-FXB00001980	95 mm	66.70
JD-H227909	95 mm	60.49
JD-AH144608	95 mm	88.98
JD-AH148454	95 mm	88.98
JD-H179694	95 mm	60.49
JD-TH111217	95 mm	60.49
JD-4S00703	100 mm	62.24
JD-AT181790	100 mm	62.24
JD-AT201004	110 mm	67.14
JD-1237308	115 mm	128.71
JD-AT264292	120 mm	72.90
JD-AT264251	130 mm	39.86

FACE SEALS

Part Number	List Price
JD-R35827	\$2.95

JOHN DEERE®

REPLACEMENT PARTS FOR JOHN DEERE®

NOTE: John Deere part numbers are used as a reference only. We do not imply that these kits are original REPLACEMENT PARTS.

BUSHINGS

Part Number	Rod Diameter	List Price
JD-0658604	40 mm	\$13.16
JD-1153502	40 mm	11.24
JD-0479002	45 mm	15.43
JD-0735604	45 mm	15.43
JD-AT251961	45 mm	15.43
JD-0478703	50 mm	18.73
JD-AT251760	50 mm	18.73
JD-FYD00000053	50 mm	18.73
JD-0854104	50 mm	15.61
JD-0479203	55 mm	22.11
JD-AT251769	55 mm	22.11
JD-TH106899	55 mm	22.11
JD-TH0827007	55 mm	16.53
JD-FYD00000040	55 mm	22.11
JD-0894204	55 mm	16.53
JD-1187203	55 mm	16.53
JD-0994204	60 mm	22.48
JD-TH106301	60 mm	29.16
JD-TH110296	60 mm	24.84
JD-0826907	60 mm	22.48
JD-FYD00000021	60 mm	22.48
JD-TH109372	65 mm	26.16
JD-AT264389	65 mm	26.16
JD-4633389	70 mm	27.17
JD-0310304	70 mm	29.53
JD-0643402	70 mm	12.34
JD-AT133645	70 mm	29.53
JD-H146479	75 mm	32.68
JD-TH109311	75 mm	32.68
JD-FXB00002087	75 mm	32.68
JD-FXB00002113	80 mm	37.68
JD-T108041	80 mm	37.68
JD-AT264314	80 mm	37.68
JD-AT154778	85 mm	41.83
JD-H146480	85 mm	41.83
JD-T108019	85 mm	41.83
JD-FXB00001811	85 mm	44.67
JD-AT264321	90 mm	40.34
JD-FXB00002051	90 mm	44.23
JD-AT154779	90 mm	40.34
JD-AT131422	90 mm	51.52
JD-0971202	95 mm	45.45
JD-263G857041	95 mm	45.45
JD-AT131420	95 mm	53.46
JD-H146481	95 mm	45.45
JD-T108050	95 mm	45.45
JD-TH102765	95 mm	57.53
JD-1237106	100 mm	50.23

BUSHINGS

Part Number	Rod Diameter	List Price
JD-0836104	100 mm	\$62.28
JD-AT131414	100 mm	62.79
JD-TH103307	100 mm	71.72
JD-0373405	105 mm	53.57
JD-4432450	105 mm	53.57
JD-AT161596	105 mm	53.57
JD-AT131417	110 mm	101.84
JD-TH103332	110 mm	101.84
JD-0961415	115 mm	74.09
JD-0352704	115 mm	60.50
JD-AT264291	120 mm	58.61
JD-AT264250	130 mm	85.79

GLAND REMOVAL TOOLS

Part Number	Bore Diameter	List Price
JD-6.00X0.40-IT	6"	\$35.20
JD-70MM-IT	70 mm	12.17
JD-80MM-IT	80 mm	13.01
JD-90MM-IT	90 mm	14.32
JD-100MM-IT	100 mm	16.50
JD-H174490	45 mm	6.45
JD-H180788	50 mm	6.68
JD-H153758	53 mm	6.93
JD-R88748	56 mm	7.19
JD-R91727	63 mm	10.81
JD-R91728	70 mm	12.17
JD-R91729	80 mm	13.01
JD-R91730	90 mm	14.32
JD-R91731	100 mm	16.50
JD-H212793	110 mm	18.00
JD-R91624	115 mm	21.53
JD-H170543	125 mm	20.08
JD-160MM-IT	160 mm	35.03

LOCK NUTS

Part Number	List Price
JD-M50849	\$ 16.00

LINK PIN SEALS

Part Number	ID	List Price
JD-FYD00001153	45 mm	\$11.65
JD-FXB00004752	55 mm	14.06
JD-FYD00001152	50 mm	12.86
JD-FYD00001132	60 mm	15.43
JD-TH104472	71 mm	31.18
JD-H149662	75 mm	33.24
JD-H149663	85 mm	33.63

O-RINGS

Part Number	Min. Pkg. Qty	List Price
JD-1224409	5	\$1.48
JD-32238	50	0.11
JD-32240	50	0.11
JD-4089028	1	27.84
JD-4276696	1	34.18
JD-82762R	50	0.11
JD-A34444R	10	0.97
JD-A3606R	50	0.21
JD-A3917R	50	0.07
JD-A4365R	50	0.07
JD-A4444R	10	0.97
JD-A4494R	10	0.91
JD-A4540R	20	0.37
JD-A4728R	20	0.83
JD-A5595R	10	1.29
JD-A5598R	10	1.32
JD-A811130	5	3.56
JD-B14427	10	1.12
JD-B15646	50	0.13
JD-B30430	20	0.41
JD-B3685R	20	0.37
JD-B3690R	20	0.37
JD-C11884	10	1.36
JD-CH13522	5	3.19
JD-CH17212	5	2.15
JD-CH17447	5	2.80
JD-F1056R	20	0.54
JD-F1430R	10	1.01
JD-F1649R	20	0.54
JD-F1870R	20	0.48

REPLACEMENT PARTS FOR JOHN DEERE®

NOTE: John Deere part numbers are used as a reference only. We do not imply that these kits are original REPLACEMENT PARTS.

O-RINGS

Part Number	Min. Pkg. Qty	List Price
JD-F2573R	10	\$1.32
JD-F2576R	10	1.36
JD-F3353R	50	0.08
JD-F3450R	20	0.82
JD-F950R	10	1.22
JD-H144918	10	1.01
JD-H144919	10	1.29
JD-H155964	1	0.49
JD-H158942	2	1.04
JD-H161157	1	3.16
JD-H21957	50	0.13
JD-H35244	20	0.24
JD-H35256	20	0.24
JD-H63858	50	0.21
JD-H64810	20	0.80
JD-H85996	5	1.88
JD-L2027CU	20	0.57
JD-L2104N	20	0.64
JD-L2301CU	20	0.82
JD-M4125T	50	0.21
JD-M4236T	20	0.72
JD-M4237T	20	0.67
JD-M44162	20	0.41
JD-N31773	20	0.27
JD-P42061	50	0.11
JD-P45750	50	0.13
JD-P46051	50	0.08
JD-P46129	20	0.83
JD-P46765	10	1.48
JD-P47889	50	0.10
JD-P47908	50	0.11
JD-P48347	50	0.10
JD-P48403	20	0.75
JD-P50631	20	0.45
JD-P50635	20	0.31
JD-P50883	50	0.10
JD-P51079	50	0.13
JD-P51212	50	0.07
JD-R10093	50	0.07
JD-R104556	100	0.13
JD-R104557	100	0.13
JD-R104558	100	0.13
JD-R105415	20	0.34

O-RINGS

Part Number	Min. Pkg. Qty	List Price
JD-R105416	50	\$0.27
JD-R106663	50	0.19
JD-R109982	20	0.30
JD-R111006	1	3.37
JD-R11120	10	0.97
JD-R1138R	20	0.26
JD-R120199	50	0.27
JD-R120233	20	0.83
JD-R1225R	50	0.24
JD-R126014	50	0.08
JD-R132237	20	0.48
JD-R151701	50	0.11
JD-R151990	50	0.08
JD-R26282	20	0.45
JD-R26543	10	1.01
JD-R26621	20	0.80
JD-R26863	20	0.67
JD-R26976	50	0.03
JD-R27149	50	0.13
JD-R27166	50	0.08
JD-R27490	50	0.03
JD-R27564	50	0.10
JD-R27796	5	2.25
JD-R27928	50	0.11
JD-R29463	50	0.24
JD-R30063	20	0.34
JD-R30063R	20	0.34
JD-R30200	20	0.34
JD-R30319	20	0.27
JD-R31378	20	0.62
JD-R31673	50	0.13
JD-R31674	50	0.11
JD-R33259	50	0.08
JD-R34404	50	0.10
JD-R34802	50	0.03
JD-R34812	50	0.03
JD-R36424	10	1.12
JD-R375R	50	0.10
JD-R394R	50	0.08
JD-R4172	10	1.22
JD-R41721	10	1.22
JD-R41987	10	0.91
JD-R459R	50	0.08

O-RINGS

Part Number	Min. Pkg. Qty	List Price
JD-R460R	50	\$0.21
JD-R495R	50	0.13
JD-R59422	1	4.87
JD-R59532	5	2.41
JD-R61467	20	0.54
JD-R6976	50	0.03
JD-R76030	10	1.36
JD-R82238	5	2.02
JD-R86192	20	0.60
JD-R89332	5	2.54
JD-R90840	20	0.54
JD-R98323	13	1.58
JD-R98325	13	1.43
JD-T110443	5	2.09
JD-T11220	20	0.34
JD-T12275	10	1.43
JD-T13119	50	0.10
JD-T159344	2	7.26
JD-T159346	2	6.50
JD-T159362	1	36.64
JD-T159472	1	27.94
JD-T16318	20	0.31
JD-T18440	50	0.08
JD-T19687	20	0.34
JD-T210833	10	1.62
JD-T218785	1	14.06
JD-T22827	50	0.21
JD-T22828	20	0.30
JD-T25335	20	0.34
JD-T26236	20	0.27
JD-T31029	20	0.27
JD-T34248	20	0.37
JD-T46620	1	3.68
JD-T56238	5	2.02
JD-TH100156	2	7.78
JD-TH110156	2	7.78
JD-TH111204	10	1.48
JD-U10063UR	20	0.75
JD-U10289	20	0.30
JD-U10746	10	1.01
JD-U10776	20	0.75
JD-U11017	20	0.48
JD-U11326	50	0.13

JOHN DEERE®

REPLACEMENT PARTS FOR JOHN DEERE®

NOTE: John Deere part numbers are used as a reference only. We do not imply that these kits are original REPLACEMENT PARTS.

O-RINGS

Part Number	Min. Pkg. Qty	List Price
JD-U11343	50	\$0.11
JD-U11646	50	0.08
JD-U12037	50	0.24
JD-U12198	20	0.57
JD-U12331	20	0.60
JD-U12547	50	0.13
JD-U15149	50	0.19
JD-U15415	20	0.21
JD-U15973	20	0.27
JD-U15980	50	0.11
JD-U41966	20	0.26
JD-U42111	20	0.35

O-RINGS 90 DUROMETER

Part Number	Min. Pkg. Qty	List Price
JD-0658607	5	\$2.16
JD-0971348	5	2.71
JD-1237111	2	7.46
JD-1237119	5	2.73
JD-1237312	5	4.14
JD-1237317	5	3.11
JD-4069900	5	1.94
JD-4113162	2	5.03
JD-4153538	5	2.43
JD-4366544	20	0.72
JD-4513526	2	7.78
JD-4622346	20	0.67
JD-4633513	5	3.21
JD-4S00734	20	0.91
JD-970860	20	0.60
JD-A4730R	50	0.35
JD-A811045R	10	1.93
JD-A811055	10	2.12
JD-A811070	5	2.16
JD-A811115	5	3.63
JD-A811135	2	4.18
JD-A811140	2	7.46
JD-A811170	1	13.87
JD-A811080	5	2.62
JD-A811095	5	2.80
JD-A811110	5	3.16
JD-AT121852	5	3.11
JD-AT200001	5	3.54
JD-AT264223	5	3.11

O-RINGS 90 DUROMETER

Part Number	Min. Pkg. Qty	List Price
JD-AT264224	5	\$3.56
JD-AT264241	1	15.75
JD-AT264318	5	2.80
JD-AT264319	5	3.05
JD-AT264320	5	3.16
JD-AT264324	20	0.77
JD-AT264339	5	3.48
JD-AT264342	5	3.21
JD-AT264348	10	1.56
JD-B2762R	50	0.31
JD-CH17160	5	2.62
JD-CH17854	5	2.71
JD-CH17886	50	0.35
JD-CH18696	5	2.73
JD-F3171R	50	0.37
JD-FXB00001812	5	3.54
JD-FXB00001814	5	3.56
JD-FXB00001818	5	2.15
JD-FXB00001825	50	0.31
JD-FXB00002018	5	3.21
JD-FXB00002020	5	3.48
JD-FXB00002098	10	1.87
JD-FXB00002119	5	3.11
JD-FXB00002121	5	3.16
JD-FXB00002127	5	2.15
JD-FXB00002466	5	4.38
JD-FYD00001131	50	0.35
JD-H144920	5	2.76
JD-H178690	5	3.56
JD-N131838	20	0.60
JD-R135333	50	0.16
JD-R26286	50	0.26
JD-R26287	50	0.18
JD-R26288	50	0.26
JD-R26375	50	0.29
JD-R26906	50	0.30
JD-R28782	50	0.26
JD-R29936	20	0.48
JD-R30903	50	0.18
JD-R30916R	10	1.06
JD-R80615	2	6.40
JD-T110447	5	3.05
JD-T152396	5	2.80
JD-T76938	25	0.30
JD-T77613	34	0.11
JD-T77814	34	0.11
JD-T77857	34	0.12
JD-T77858	25	0.18
JD-T77932	29	0.16
JD-T78313	20	0.49
JD-T78612	20	0.34

O-RINGS 90 DUROMETER

Part Number	Min. Pkg. Qty	List Price
JD-T78784	20	\$0.41
JD-TH100125	5	3.21
JD-TH101926	1	3.36
JD-TH104589	2	4.28
JD-TH105684	5	8.33
JD-TH110052	2	8.53
JD-U13639	20	0.60
JD-U17409	20	0.44
JD-U40745	50	0.16
JD-U46731	50	0.18

PISTON SEALS

Part Number	Bore Diameter	List Price
JD-T39982	1-7/8	\$10.51
JD-R92208	2-1/4	2.74
JD-RE12559	3	99.72
JD-RE11905	4-1/2	115.36
JD-RE11920	5-1/2	161.85
JD-AH176236	56 mm	38.26
JD-FXB00004932	60 mm	15.21
JD-4177837	70 mm	56.46
JD-R98324	70 mm	9.09
JD-RE20342	70 mm	54.71
JD-0495007	70 mm	40.16
JD-0380915	80 mm	40.92
JD-FYD00001149	80 mm	55.98
JD-R98322	80 mm	9.74
JD-4137866	85 mm	66.00
JD-RE20344	90 mm	89.59
JD-0243803	90 mm	44.45
JD-AT264392	95 mm	49.52
JD-FXB00004745	95 mm	32.18
JD-0240807	100 mm	41.51
JD-RE20343	100 mm	74.35
JD-TH109322	105 mm	46.03
JD-4633518	105 mm	82.47
JD-FXB00002095	105 mm	46.03
JD-FXB00001816	107 mm	99.08
JD-AH138032	110 mm	79.13
JD-AH138082	110 mm	79.13
JD-TH166872	110 mm	60.97
JD-AT264386	110 mm	60.97
JD-FXB00002124	110 mm	60.97
JD-FYD00001128	110 mm	40.97
JD-FXB00000834	115 mm	51.48
JD-RE20809	115 mm	87.43
JD-TH105767	115 mm	62.43

REPLACEMENT PARTS FOR JOHN DEERE®

NOTE: John Deere part numbers are used as a reference only. We do not imply that these kits are original REPLACEMENT PARTS.

PISTON SEALS

Part Number	Bore Diameter	List Price
JD-AT264355	120 mm	\$65.55
JD-AH138083	120 mm	116.13
JD-FXB00002023	120 mm	62.43
JD-AT264361	125 mm	62.43
JD-4431271	130 mm	32.66
JD-AH138084	130 mm	99.08
JD-4431272	130 mm	66.89
JD-AH173446	135 mm	72.96
JD-0971414	135 mm	105.41
JD-FYA00008822	135 mm	96.50
JD-FYA00010655	135 mm	105.41
JD-RE25146	137 mm	138.62
JD-RE25102	140 mm	112.19
JD-FYA00008845	140 mm	73.76
JD-TH102795	140 mm	73.76
JD-TH110065	145 mm	113.01
JD-4S00801	145 mm	75.75
JD-FYA00008842	145 mm	75.75
JD-TH111272	165 mm	153.28
JD-0961424	170 mm	61.00
JD-FYA00008839	170 mm	98.38
JD-T201905	190 mm	111.94

VEE SETS

Part Number	O.D.	List Price
JD-U12964	1-1/2	\$12.37
JD-U41824	1-1/2 X 1	14.94
JD-R76802	1-3/4	14.02
JD-U41825	1-3/4 X 1	6.81
JD-T35831	2-3/4	17.41
JD-T36998	2-1/4	14.02
JD-T54815	2-1/2	13.74
JD-C14517	2-1/2	19.13
JD-R76790	2-3/4	17.41
JD-T35851	2-3/4	17.41
JD-T38194	3	46.52
JD-T38193	3-1/2	47.08
JD-R76810	3-1/4	19.66
JD-R78605	3-3/4	56.24
JD-T37381	4	26.43
JD-R72828	4-1/2	50.24
JD-T37379	4-1/2	50.24
JD-U12974	4-1/2	50.24
JD-T37380	5	14.91
JD-W37380	5	26.50
JD-U42717	5-1/4	35.06
JD-T52425	5-1/2	58.22

ROD BUSHINGS

Part Number	Rod Diameter	List Price
JD-1118311	30 mm	\$8.29
JD-1157904	30 mm	10.57
JD-FXB00004950	30 mm	8.93
JD-1153804	35 mm	10.99
JD-FXB00004926	35 mm	9.90
JD-0797604	40 mm	13.20
JD-FXB00010512	40 mm	11.24
JD-0891518	45 mm	20.75
JD-0920515	45 mm	15.43
JD-FXB00000616	45 mm	20.25
JD-0948703	50 mm	15.61
JD-FXB00003979	50 mm	18.73
JD-FXB00001022	55 mm	22.11
JD-1226705	60 mm	22.48
JD-FXB00001021	65 mm	26.16
JD-FXB00004761	70 mm	35.57
JD-FXB00002262	70 mm	12.34
JD-AT264272	85 mm	41.83
JD-FXB00002012	85 mm	41.83
JD-0971402	90 mm	44.23
JD-0971302	105 mm	55.84
JD-FXB00002479	105 mm	55.84
JD-1237306	115 mm	25.17
JD-0379806	140 mm	120.53

ROD U-SEALS

Part Number	Rod Diameter	List Price
JD-U44950	1	\$9.48
JD-H172764	28 mm	8.00
JD-FXB00004951	30 mm	13.36
JD-H154514	32 mm	7.80
JD-H161729	32 mm	8.00
JD-0481202	40 mm	18.22
JD-H155655	40 mm	14.41
JD-R81857	40 mm	14.41
JD-H152202	45 mm	11.44
JD-R81856	45 mm	15.13
JD-4135545	50 mm	19.62
JD-H152203	50 mm	11.05

ROD U-SEALS

Part Number	Rod Diameter	List Price
JD-TH4070039	55 mm	\$19.79
JD-H152204	56 mm	16.86
JD-R92309	56 mm	16.86
JD-4154178	60 mm	21.57
JD-AT264378	60 mm	20.18
JD-H152205	63 mm	26.38
JD-FXB00000826	65 mm	23.37
JD-0790009	65 mm	21.20
JD-AT133633	70 mm	24.08
JD-0789311	70 mm	24.08
JD-4633514	70 mm	22.18
JD-TH109314	75 mm	26.51
JD-TH104925	80 mm	29.53
JD-H227914	80 mm	29.53
JD-RE25149	80 mm	37.14
JD-TH104952	85 mm	32.07
JD-0788912	85 mm	19.99
JD-4S00707	90 mm	34.13
JD-FXB00002054	90 mm	54.72
JD-AH140482	95 mm	35.71
JD-H155308	95 mm	35.71
JD-H227910	95 mm	35.71
JD-0971208	95 mm	52.90
JD-0976014	95 mm	11.50
JD-FXB00001981	95 mm	58.32
JD-AT333702	105 mm	45.90
JD-1237309	115 mm	115.19
JD-AT264242	130 mm	61.38

U-SEALS

Part Number	Rod Diameter	List Price
JD-AH209762	1-3/4	\$19.96
JD-AT124099	2-3/8	58.93
JD-R35680	2-3/8	4.20
JD-T56960	2-3/4	17.16
JD-FYD00001144	50 mm	18.79
JD-FYD00001134	55 mm	18.79
JD-FYD00001122	60 mm	20.83
JD-0971409	90 mm	54.72
JD-0972303	130 mm	45.79

REPLACEMENT PARTS FOR JOHN DEERE®

NOTE: John Deere part numbers are used as a reference only. We do not imply that these kits are original REPLACEMENT PARTS.

WEAR RINGS

Part Number	O.D. X Width	List Price
JD-U41824	1-1/2 X 1	\$14.94
JD-U41825	1-3/4 X 1	6.81
JD-U41824	1-1/2 X 1	14.94
JD-U41825	1-3/4 X 1	6.81
JD-T51865	1-7/8 X 1-1/2	23.88
JD-T39981	2 X 3/16	6.01
JD-T48209	2 X 3/16	6.01
JD-U41823	2 X 1	7.21
JD-U42668	2-1/4 X 5/16	5.54
JD-C19240	2-1/4 X 5/8	5.80
JD-U17335	2-1/2 X 5/16	5.19
JD-U16379	2-1/2 X 1/2	5.76
JD-T40855	2-1/2 X 1	7.58
JD-U42716	2-1/2 X 1-35/64	11.27
JD-W20503	2-3/4 X 5/16	5.80
JD-U17336	2-3/4 X 5/8	6.25
JD-T58314	2-3/4 X 1	7.51
JD-T36524	3 X .212	4.76
JD-H139507	3 X 3/8	5.89
JD-T40416	3 X 1/2	5.89
JD-R82412	3 X 1.192	50.25
JD-R80337	3 X 1.382	44.56
JD-T36525	3-1/4 X .212	3.83
JD-R92819	3-1/4 X 1/4	5.72
JD-A29497	3-1/4 X 3/8	6.07
JD-T47976	3-1/4 X 3/4	6.78
JD-U42862	3-1/4 X 1	7.27
JD-R70098	3-1/4 X 1-9/16	29.37
JD-R77807	3-1/2 X 3/8	6.10
JD-U16397	3-1/2 X 1/2	6.10
JD-U43261	3-1/2 X 1/2	6.10
JD-U17217	3-1/2 X 5/8	6.78
JD-U42863	3-1/2 X 5/8	6.62
JD-U42704	3-1/2 X 3/4	6.81
JD-T45738	3-1/2 X .212	14.21
JD-T36526	3.605 X .212	11.56
JD-U46592	3-3/4 X 5/8	7.00
JD-T36527	3.939 X .212	4.94
JD-R77825	4 X 3/8	7.74
JD-U16387	4 X 5/8	7.27
JD-U17337	4 X 5/8	7.27
JD-U43367	4 X 5/8	7.27
JD-U43356	4 X 3/4	12.74
JD-R83321	4 X 1.378	75.51
JD-U46747	4-1/4 X 5/8	7.27
JD-T39138	4.4 X 5/8	7.27
JD-U17225	4-1/2 X 5/8	7.27
JD-U44508	5 X 5/8	7.27

WEAR RINGS

Part Number	O.D. X Width	List Price
JD-U42719	5-1/4 X 5/8	\$7.27
JD-R80526	5-1/2 X 1/2	6.53
JD-U45180	5-1/2 X 5/8	7.72
JD-T42985	5-1/2 X 1	9.93
JD-U42985	5-1/2 X 1	9.93
JD-R77837	6 X 1	10.13
JD-R78603	6-1/4 X 5/8	7.99
JD-U43397	6-1/4 X 1	10.23
JD-T52419	6-1/2 X 1	10.92
JD-R76907	7 X 1	14.58
JD-R77642	7-1/2 X 1	22.52
JD-H156058	35 X 16 mm	6.13
JD-H157897	42 X 16 mm	7.63
JD-H157947	42 X 16 mm	7.63
JD-H146712	43 X 15.9 mm	28.47
JD-R81780	46 X 20 mm	12.92
JD-H157898	48 X 22.5 mm	34.48
JD-R82569	50 X 5 mm	10.10
JD-R81779	51 X 22.5 mm	18.66
JD-0986608	55 x 5.9 mm	7.67
JD-R81975	56 X 25 mm	15.06
JD-FXB00004931	60 X 7.9 mm	7.39
JD-R92310	62 X 25 mm	15.61
JD-0891908	65 x 5.9 mm	7.84
JD-0652205	65 X 9.5 mm	50.80
JD-R81774	70 X 10 mm	5.24
JD-TH109743	70 X 14.5 mm	19.02
JD-1102802	70 X 6.2 mm	11.87
JD-0479010	75 X 11.8 mm	110.28
JD-R81777	80 X 10 mm	5.29
JD-0380914	80 X 11.8 mm	127.22
JD-0996703	80 x 5.9 mm	8.01
JD-FYD00001150	80 X 15 mm	9.24
JD-FYD00001148	80 X 6 mm	70.88
JD-1187301	80 X 6.2 mm	8.01
JD-TH111224	85 X 14.5 mm	22.24
JD-AT264287	85 X 15 mm	8.74
JD-0891615	85 X 6 mm	33.01
JD-R85230	86 X 40 mm	36.16
JD-TH105795	90 X 14.8 mm	143.86
JD-R81776	90 X 15 mm	6.38
JD-FYD00001140	90 X 20 mm	12.40
JD-1187206	90 X 6 mm	8.01
JD-FYD00001138	90 X 6 mm	40.67
JD-AT264229	95 X 14.8 mm	23.05
JD-FXB00004746	95 X 20 mm	7.35
JD-AT264394	95 X 5.9 mm	8.78
JD-TH109377	95 X 6 mm	12.24

WEAR RINGS

Part Number	O.D. X Width	List Price
JD-FXB00004747	95 X 6 mm	\$42.35
JD-H158170	95 X 6.1 mm	8.01
JD-1183502	95 X 6.2 mm	8.01
JD-TH109378	95 X 8 mm	42.35
JD-4S00154	100 X 14.8 mm	157.67
JD-TH105781	100 X 14.8 mm	157.67
JD-R81775	100 X 15 mm	16.89
JD-4S00840	100 X 5.9 mm	81.30
JD-4S00839	100 X 6 mm	13.64
JD-0686707	100 X 6 mm	17.64
JD-TH111727	100 X 6 mm	13.64
JD-TH111728	100 X 6 mm	81.30
JD-FXB00002097	100 X 6 mm	36.97
JD-T108052	100 X 9.5 mm	14.90
JD-0907801	105 X 6 mm	12.92
JD-H158459	105 X 6 mm	39.56
JD-TH109323	105 X 6 mm	39.56
JD-TH109324	105 X 6 mm	107.26
JD-AT309607	105 X 6 mm	39.56
JD-FXB00002096	105 X 9.5 mm	15.61
JD-TH106873	110 X 14.8 mm	158.96
JD-FYD00001129	110 X 25 mm	28.75
JD-4S00156	110 X 5.9 mm	88.77
JD-AT153830	110 X 5.9 mm	88.77
JD-FXB00002126	110 X 5.9 mm	88.77
JD-FYD00001127	110 X 5.9 mm	88.77
JD-AT264263	110 X 7.6 mm	49.04
JD-1119106	110 X 7.9 mm	8.71
JD-AT153936	110 X 7.9 mm	14.55
JD-H155873	110 X 7.9 mm	12.50
JD-H144225	110 X 9.5 mm	15.61
JD-FXB00002125	110 X 9.5 mm	15.61
JD-R82095	115 X 15 mm	15.58
JD-FXB00000836	115 X 5.9 mm	10.72
JD-TH109357	115 X 6 mm	45.42
JD-H163432	115 X 7.9 mm	12.50
JD-H227907	115 X 7.9 mm	8.71
JD-TH109356	115 X 7.9 mm	14.74
JD-FXB00000835	115 X 9.3 mm	17.62
JD-AT132287	120 X 14.8 mm	20.38
JD-4633519	120 X 14.8 mm	20.60
JD-H155917	120 X 7.9 mm	13.46
JD-T108046	120 X 7.9 mm	13.46
JD-H227906	120 X 8 mm	8.89
JD-TH104923	120 X 8 mm	52.73
JD-H144226	120 X 9.4 mm	17.02
JD-R90653	125 X 20 mm	22.08
JD-4S00708	125 X 7.9 mm	15.98

REPLACEMENT PARTS FOR JOHN DEERE®

NOTE: John Deere part numbers are used as a reference only. We do not imply that these kits are original REPLACEMENT PARTS.

WEAR RINGS

Part Number	O.D. X Width	List Price
JD-T108024	125 X 7.9 mm	\$15.98
JD-TH104949	125 X 8 mm	54.95
JD-AT264362	125 X 8.1 mm	10.43
JD-AT154700	125 X 9.7 mm	61.48
JD-AT154735	125 X 9.9 mm	17.02
JD-FXB00001817	130 X 14.8 mm	25.54
JD-H144230	130 X 4.75 mm	93.23
JD-4S00712	130 X 7.9 mm	18.78
JD-H155317	130 X 7.9 mm	14.97
JD-H155318	130 X 8 mm	55.92
JD-H144227	130 X 9.5 mm	21.12
JD-TH110034	135 X 14.8 mm	18.55
JD-4S00160	135 X 7.75 mm	42.85
JD-H178695	135 X 7.9 mm	16.53
JD-H227905	135 X 7.9 mm	9.15
JD-T108058	135 X 7.9 mm	16.53
JD-H178696	135 X 8 mm	56.97
JD-T108059	135 X 8 mm	56.97
JD-FXB00002465	135 X 9.4 mm	11.24
JD-0971217	135 X 9.5 mm	23.13

WEAR RINGS

Part Number	O.D. X Width	List Price
JD-TH110033	135 X 9.7 mm	\$66.74
JD-0971218	135 X 9.7 mm	66.74
JD-FYA00001449	135 X 9.7 mm	66.74
JD-AT154718	135 X 9.8 mm	23.42
JD-4414671	140 X 10 mm	21.69
JD-H170140	140 X 10 mm	15.51
JD-R85192	140 X 20 mm	24.18
JD-TH102797	140 X 8 mm	57.69
JD-4S00705	140 X 9.5 mm	20.60
JD-TH102796	140 X 9.5 mm	20.60
JD-TH110063	145 X 14.8 mm	27.14
JD-0373413	145 x 7.9 mm	98.01
JD-4S00804	145 X 7.9 mm	90.75
JD-AT161608	145 X 7.9 mm	90.75
JD-0962008	145 x 9.3 mm	23.40
JD-0492209	145 X 9.5 mm	20.60
JD-4S00803	145 X 9.5 mm	20.60
JD-AT159585	145 X 9.5 mm	21.82
JD-AT161607	145 X 9.5 mm	20.60
JD-TH110062	145 X 9.7 mm	73.01

WEAR RINGS

Part Number	O.D. X Width	List Price
JD-TH111846	150 X 14.8 mm	\$28.03
JD-TH102826	150 X 8 mm	63.71
JD-TH102825	150 X 9.5 mm	20.75
JD-TH111845	150 X 9.7 mm	76.51
JD-R85228	160 X 20 mm	22.00
JD-TH103345	160 X 9.5 mm	22.50
JD-TH103346	160 X 9.7 mm	78.30
JD-TH111273	165 X 14.8 mm	31.93
JD-TH111274	165 X 9.7 mm	154.68
JD-0961423	170 X 20 mm	100.55
JD-4S00797	170 X 9.5 mm	24.83
JD-AT132291	170 X 9.5 mm	23.06
JD-AT132175	170 X 9.7 mm	95.89
JD-4S00855	180 X 14.7 mm	36.31
JD-R85229	180 X 20 mm	23.79
JD-0972305	190 X 14.8 mm	44.71
JD-AT132186	190 X 15 mm	33.15
JD-AT264245	190 X 9.5 mm	52.88
JD-AT132170	190 X 9.7 mm	99.72

REPLACEMENT PARTS FOR JOHN DEERE®

NOTE: John Deere part numbers are used as a reference only. We do not imply that these kits are original REPLACEMENT PARTS.

WIPERS

Part Number	Rod Diameter	List Price
JD-T51863	1-1/4	\$1.49
JD-T63053	1-3/4	20.15
JD-U11019	1-3/4	6.22
JD-U16406	1-3/4	6.05
JD-U11022	2-1/4	7.55
JD-AT124100	2-3/8	19.18
JD-T60752	3	29.50
JD-T47532	5	61.13
JD-AH151380	25 mm	22.44
JD-H164925	25 mm	3.17
JD-H172765	28 mm	8.11
JD-FXB00004960	30 mm	20.93
JD-AH150452	32 mm	6.16
JD-H156586	32 mm	20.26
JD-0658606	40 mm	24.48
JD-H156587	40 mm	4.97
JD-RE24534	40 mm	25.55
JD-RE29215	40 mm	25.55
JD-AH146556	45 mm	26.30
JD-AHC11136	45 mm	7.31
JD-AH146557	50 mm	25.79
JD-AT251898	50 mm	26.91
JD-FYD00001143	50 mm	26.91
JD-AT264381	55 mm	32.04
JD-FYD00001133	55 mm	32.04

WIPERS

Part Number	Rod Diameter	List Price
JD-AH146558	56 mm	\$38.52
JD-AT264377	60 mm	34.73
JD-FYD00001121	60 mm	34.73
JD-TH105777	60 mm	34.73
JD-AH146559	63 mm	29.59
JD-FXB00000828	65 mm	24.44
JD-H158164	65 mm	36.81
JD-TH100374	65 mm	49.68
JD-4630847	70 mm	39.51
JD-4729045	70 mm	39.51
JD-H158453	70 mm	39.51
JD-FXB00002092	75 mm	42.47
JD-H155867	75 mm	42.47
JD-4729047	80 mm	50.10
JD-FXB00002118	80 mm	50.10
JD-4264035	80 mm	7.29
JD-AH152445	80 mm	48.33
JD-H157235	80 mm	50.10
JD-H159361	80 mm	48.33
JD-H159631	80 mm	48.33
JD-TH102446	80 mm	35.83
JD-RE25148	80 mm	72.40
JD-4729048	85 mm	17.42
JD-FXB00001806	85 mm	56.86
JD-H155911	85 mm	56.86

WIPERS

Part Number	Rod Diameter	List Price
JD-4428492	90 mm	\$61.48
JD-FXB00002056	90 mm	61.48
JD-TH102445	90 mm	57.69
JD-0971411	90 mm	61.48
JD-1224407	95 mm	31.94
JD-AT217969	95 mm	31.94
JD-FXB00002461	95 mm	19.00
JD-H155311	95 mm	31.94
JD-TH111215	95 mm	40.26
JD-0971210	95 mm	31.94
JD-4729050	95 mm	18.09
JD-1237110	100 mm	64.55
JD-4S00772	100 mm	64.55
JD-AT181247	100 mm	64.55
JD-TH102411	100 mm	41.17
JD-TH110048	100 mm	21.36
JD-AT131682	110 mm	65.12
JD-AT181797	110 mm	66.11
JD-1237311	115 mm	28.78
JD-0239504	120 mm	68.29
JD-AT264283	120 mm	72.35
JD-4S00952	130 mm	79.17
JD-0978105	150 mm	85.06

WIPER INSTALLATION TOOLS

Part Number	List Price
JD-HC11347	\$16.76
JD-HC11348	8.06
JD-HC12465	8.06
JD-HC12633	24.57
JD-HC12657	15.51
JD-HC14390	8.53
JD-HC15438	26.53

REPLACEMENT PARTS FOR JOHN DEERE® - UNITIZED PISTONS

NOTE: John Deere part numbers are used as a reference only. We do not imply that these kits are original REPLACEMENT PARTS.

Part Number	Bore Diameter	Hole Diameter	Piston Width	List Price
JD-AH138200	50	16.56	31.24	\$138.48
JD-AH174930	50	20.55	31.24	182.94
JD-AH233516	50	16.56	31.24	192.61
JD-AH135785	56	16.59	31.24	182.21
JD-AH137177	63	22.58	31.24	175.79
JD-AH142159	63	20.57	31.24	140.38
JD-AH160647	63	22.58	31.24	175.79
JD-AH166138	63	22.58	31.24	170.89
JD-AH228448	63	24.56	31.24	104.09
JD-RE29383	63	22.2	31.24	177.35
JD-AHC10478	70	24.56	40.75	157.77
JD-AH158623	70	24.56	36.25	140.91
JD-AH165962	70	27.58	36.25	255.11
JD-AH172352	70	22.58	36.25	179.78
JD-AH227867	70	27.58	36.25	140.91
JD-RE34084	70	24.56	36.25	255.11
JD-AH139078	80	24.56	29.08	226.67
JD-AH165826	80	27.58	40.74	167.70
JD-AH173410	80	30.58	40.74	211.36
JD-RE33968	80	27.58	40.74	215.24
JD-RE34085	80	27.58	40.74	167.70

Part Number	Bore Diameter	Hole Diameter	Piston Width	List Price
JD-AH136453	90	27.58	45.75	\$291.55
JD-AH141183	90	30.58	45.75	259.13
JD-AH169436	90	30.58	45.75	376.56
JD-AH169827	90	26.09	45.75	279.41
JD-AH205060	90	30.58	45.75	259.13
JD-AHC11073	90	30.58	40.13	267.19
JD-AH205062	100	30.58	45.75	430.96
JD-AH159034	100	30.58	45.75	430.96
JD-AH164620	100	33.83	45.75	340.13
JD-AH166637	100	33.63	45.75	461.61
JD-AH169826	100	26.09	45.75	449.45
JD-AHC10806	100	30.58	40.13	337.44
JD-AH168884	115	36.63	45.75	376.56
JD-AHC10777	115	30.58	40.13	404.93
JD-AH167446	125	36.63	55.25	546.63
JD-AH173851	152	42.52	63.53	747.33
JD-M138572	2.000	0.752	1.000	128.96
JD-M138574	2.250	1.001	1.000	129.01
JD-LVA20429	2.500	1.000	1.000	204.12
JD-LVU12341	3.000	1.001	1.500	144.21

JOHNSON

Part Number	Description	List Price
JO-225VPW	2-1/4" VEE SET & WIPER	\$24.23
JO-325VPW	3-1/4" VEE SET & WIPER	25.56
JO-425VPW	4-1/4" VEE SET & WIPER	35.16
JO-525VPW	5-1/4" VEE SET & WIPER	36.55
JO-625NVPW	6-1/4" VEE SET & WIPER	65.35
JO-750NVPW	7-1/2" VEE SET & WIPER	94.75
JO-875NVPW	8-3/4" VEE SET & WIPER	133.41
JO-RB392	3-3/4" BORE SNAP RING	27.00
JO-RC495	4-3/4" BORE SNAP RING	31.62
JO-RD595	5-3/4" BORE SNAP RING	57.34
JO-RE724	6-7/8" BORE SNAP RING	79.83
JO-RF849	8-1/8" BORE SNAP RING	106.47

KALMAR

Kit Number	Code (Pg. xiv)	Rod X Bore Size	List Price
KAL-920670.0003	P-U-13	32 X 63 mm	\$147.71
KAL-920673.0005	P-U-15	80 X 125 mm	195.96
KAL-920744.0001	P-U-13	32 X 63 mm	140.36
KAL-920744.0002	I-U-13	40 X 80 mm	194.76
KAL-920744.0003	P-U-10	60 X 80 mm	205.21
KAL-920744.0005	P-U-10	70 X 125 mm	235.51
KAL-920744.0006	P-U-15	70 X 160 mm	145.33
KAL-920744.0013	P-U-15	90 X 180 mm	168.81
KAL-921307.0001	P-U-10	50 X 100 mm	229.66

REPLACEMENT PARTS FOR KALMAR

NOTE: Kalmar part numbers are used as a reference only. We do not imply that these kits are original REPLACEMENT PARTS.

BACK-UP RINGS

Part Number	Min. Pkg Qty	List Price
KAL-0926644	10	\$1.48
KAL-0930280	5	2.22
KAL-4741128	10	1.25
KAL-8653585	10	1.48
KAL-8653594	1	3.32
KAL-931868-4	10	1.33

O-RINGS

Part Number	Min. Pkg Qty	List Price
KAL-0923587	20	\$0.83
KAL-0923591	10	0.91
KAL-0923598	10	1.01
KAL-0923599	10	1.22
KAL-0923644	50	0.19
KAL-0923645	50	0.10
KAL-0923646	20	0.30
KAL-0923648	50	0.21
KAL-0923649	50	0.24
KAL-0923650	20	0.37
KAL-0923651	20	0.64
KAL-0923663	50	0.08
KAL-0923664	20	0.30
KAL-0923702	20	0.54
KAL-0923718	50	0.24
KAL-0923719	50	0.10
KAL-0923810	50	0.13
KAL-0923811	50	0.21
KAL-0923812	50	0.24
KAL-0923813	20	0.26
KAL-0923814	20	0.48
KAL-0923815	20	0.57
KAL-0923816	20	0.75
KAL-0923817	20	0.82
KAL-0923826	20	0.37
KAL-0923827	20	0.75
KAL-0923828	20	0.82
KAL-0923829	20	0.83
KAL-0923831	10	1.32
KAL-0923832	10	1.36
KAL-0923833	10	1.36
KAL-0923843	50	0.03
KAL-0923845	50	0.07
KAL-0923847	50	0.10
KAL-0923848	50	0.11
KAL-0923849	50	0.10
KAL-0923850	20	0.27
KAL-0923851	50	0.13
KAL-0923852	20	0.54
KAL-0923855	10	1.12
KAL-0923856	20	0.57

O-RINGS

Part Number	Min. Pkg Qty	List Price
KAL-0923865	20	\$0.31
KAL-0923896	20	0.27
KAL-0923922	20	0.67
KAL-0923934	50	0.13
KAL-0923935	20	0.75
KAL-0923936	10	0.97
KAL-0923944	50	0.03
KAL-0923945	50	0.10
KAL-0923947	50	0.13
KAL-0923948	50	0.21
KAL-0923949	20	0.48
KAL-0923988	50	0.11
KAL-0923989	50	0.13
KAL-0924003	50	0.08
KAL-0924038	20	0.34
KAL-0924137	20	0.21
KAL-0924158	20	0.92
KAL-0924187	20	0.75
KAL-0924416	50	0.13
KAL-0924686	10	1.18
KAL-0924859	20	0.24
KAL-0927902	50	0.03
KAL-0930897	50	0.11
KAL-231416	50	0.11
KAL-4255395	50	0.16
KAL-4910140	50	0.08
KAL-4910366	20	0.30
KAL-4910375	50	0.26
KAL-4910378	10	1.62
KAL-4910379	20	0.57
KAL-70923812	50	0.24
KAL-70923829	20	0.83
KAL-70924003	50	0.08
KAL-70926560	5	1.48
KAL-8653584	20	0.67

O-RINGS

Part Number	Min. Pkg Qty	List Price
KAL-0922571	50	\$0.08
KAL-0923376	50	0.08
KAL-0923379	50	0.10
KAL-0923558	50	0.07
KAL-0923560	50	0.07
KAL-0923561	50	0.08
KAL-0923562	50	0.11
KAL-0923563	50	0.13
KAL-0923564	50	0.21
KAL-0923565	50	0.08
KAL-0923566	50	0.11
KAL-0923567	50	0.11
KAL-0923568	50	0.13
KAL-0923569	20	0.24
KAL-0923570	20	0.27
KAL-0923571	20	0.31
KAL-0923572	20	0.34
KAL-0923573	20	0.34
KAL-0923574	50	0.11
KAL-0923575	50	0.19
KAL-0923576	20	0.34
KAL-0923577	20	0.62
KAL-0923578	20	0.37
KAL-0923579	20	0.45
KAL-0923580	20	0.45
KAL-0923582	20	0.60
KAL-0923584	20	0.67
KAL-0923585	20	0.72
KAL-0923586	20	0.80

REPLACEMENT PARTS FOR KALMAR

NOTE: Kalmar part numbers are used as a reference only. We do not imply that these kits are original REPLACEMENT PARTS.

NYLON PLUGS

Part Number	Rod Dia.	List Price
KAL-74816749	1/8 x 5/32	\$0.78

PISTON SEALS

Part Number	Bore Dia.	List Price
KAL-4909279	2-1/2	\$9.76

PISTON U-SEALS

Part Number	Bore Dia.	List Price
KAL-4910347	4	\$24.24

RETAINER RINGS

Part Number	List Price
KAL-231423	\$5.70
KAL-4255082	5.75
KAL-4910370	3.54
KAL-4910376	12.14
KAL-4910377	5.00
KAL-927822	12.90

U-SEALS

Part Number	Rod Dia.	List Price
KAL-78630662	1-1/2	\$15.47
KAL-4850624-0	2-1/2	12.88
KAL-74820556	2-5/8	13.45
KAL-8653586	2-3/4	14.09
KAL-8653592	4-1/2	32.26
KAL-8653595	4-1/2	23.96
KAL-74843499	5	31.62

WEAR RINGS

Part Number	OD X W	List Price
KAL-4910372	2-1/2 X 3/8	\$4.94
KAL-4850622-4	2-3/4 X 1	6.48
KAL-4910373	4 X 1/2	5.36
KAL-74844040	5-1/2 X 1	8.58

WIPERS

Part Number	Rod Dia.	List Price
KAL-4908498	1	\$1.38
KAL-74857829	1-1/4	6.24
KAL-4911395	2	2.36
KAL-4910380	2-1/2	2.83
KAL-74820557	2-5/8	10.27
KAL-8653582	2-3/4	3.00
KAL-74845370	3	23.71
KAL-8653591	4-1/2	5.08

KATO

Replacement Kits For

Excavators						
APPLICATION	SERIAL #:	CODE	ROD	BORE	KIT #	List \$
MODEL HD-700SEV, HD-700II, HD-720VII						
ARM	329-1719-0	P-UB-10	95 mm	135 mm	KATO-329-17190000	628.72
BOOM	329-1169-0	P-UB-10	85 mm	125 mm	KATO-329-11690000	630.85
BUCKET	329-2389-0	P-UB-10	80 mm	120 mm	KATO-329-23890000	497.28
MODEL HD-770SEII						
ARM	309-754-1	P-UB-10	90 mm	130 mm	KATO-309-75400001	550.59
BOOM	309-960-2	P-UB-10	85 mm	130 mm	KATO-309-96000002	494.34
BUCKET	309-785-1	P-UB-10	85 mm	130 mm	KATO-309-78500001	494.34
MODEL HD-800SEV, HD-880SEII						
ARM	309-755-1	P-UB-10	100 mm	140 mm	KATO-309-75500001	636.14
BOOM	309-967-2	P-UB-10	85 mm	130 mm	KATO-309-96700002	570.81
BUCKET	309-786-1	P-UB-10	85 mm	125 mm	KATO-309-78600001	485.64
MODEL HD-800VII						
ARM	329-1729-0	P-UB-10	105 mm	150 mm	KATO-329-17290000	654.16
BOOM	329-1399-0	P-UB-10	85 mm	140 mm	KATO-329-13990000	575.60
BUCKET	309-7869-10	P-UB-10	85 mm	130 mm	KATO-309-78690010	548.41
MODEL HD-900SEV						
ARM	329-172-1	P-UB-10	105 mm	150 mm	KATO-329-17200001	654.16
BOOM	309-967-11	P-UB-10	85 mm	140 mm	KATO-309-96700011	575.60
BUCKET	309-786-11	P-UB-10	85 mm	130 mm	KATO-309-78600011	548.41
MODEL HD-1250SEV						
ARM	329-175-3	P-UB-10	110 mm	160 mm	KATO-329-17500003	662.09
BOOM	329-121-2	P-UB-10	100 mm	150 mm	KATO-329-12100002	626.06
BUCKET	329-241-2	P-UB-10	100 mm	150 mm	KATO-329-24100002	626.06
MODEL HD-1250VII						
ARM	329-1759-0	P-UB-10	110 mm	160 mm	KATO-329-17590000	662.09
BOOM	329-2419-2	P-UB-10	100 mm	150 mm	KATO-329-24190002	626.06
BUCKET	329-2419-2	P-UB-10	100 mm	150 mm	KATO-329-24190002	626.06

KATO

KATO EXCAVATORS

Part Number	Code (Pg. xviii)	Rod X Bore Size	List Price
KATO-309-13790020	P-U-5	90 X 150 mm	\$429.87
KATO-309-75400001	P-UB-10	90 X 130 mm	550.59
KATO-309-75500001	P-UB-10	100 X 140 mm	636.14
KATO-309-75590000	P-UB-10	100 X 140 mm	608.48
KATO-309-78500001	P-UB-10	85 X 130 mm	494.34
KATO-309-78590010	P-UB-10	85 X 125 mm	639.09
KATO-309-78600001	P-UB-10	85 X 125 mm	485.64
KATO-309-78600011	P-UB-10	85 X 130 mm	548.41
KATO-309-78690010	P-UB-10	85 X 130 mm	548.41
KATO-309-96000002	P-UB-10	85 X 130 mm	494.34
KATO-309-96090010	P-UB-10	85 X 130 mm	664.84
KATO-309-96700002	P-UB-10	85 X 130 mm	570.81
KATO-309-96700011	P-UB-10	85 X 140 mm	575.60
KATO-329-11690000	P-UB-10	85 X 125 mm	630.85

Part Number	Code (Pg. xviii)	Rod X Bore Size	List Price
KATO-329-12090000	P-UB-10	100 X 150 mm	\$664.52
KATO-329-12100002	P-UB-10	100 X 150 mm	626.06
KATO-329-13990000	P-UB-10	85 X 140 mm	575.60
KATO-329-17190000	P-UB-10	95 X 135 mm	628.72
KATO-329-17200001	P-UB-10	105 X 150 mm	654.16
KATO-329-17290000	P-UB-10	105 X 150 mm	654.16
KATO-329-17500003	P-UB-10	110 X 160 mm	662.09
KATO-329-17590000	P-UB-10	110 X 160 mm	662.09
KATO-329-23790000	P-UB-10	65 X 95 mm	449.93
KATO-329-23890000	P-UB-10	80 X 120 mm	497.28
KATO-329-23890001	P-UB-10	80 X 120 mm	569.64
KATO-329-24100002	P-UB-10	100 X 150 mm	626.06
KATO-329-24190002	P-UB-10	100 X 150 mm	626.06
KATO-75590020	P-U-10	100 X 140 mm	707.17

REPLACEMENT SEAL KITS FOR KOBELCO EQUIPMENT*

Replacement Seal Kits By Machine Type

Table of Contents

Machine Type	Page
Excavators K903II, K904II, K904III, K905II, K907D, K907II, K909A, K909II, K912II, K916II, SK60, SK70SR, SK70SR-1E, SK70SR-1ES, SK80CS, SK80CS-1E, SK80MSR, SK80MSR-1E, SK80MSR-1ES, SK100, SK115DZ IV, SK115SRDZ, SK115SRDZ-1E, SK120, SK120LC, SK135SR, SK135SR-1E, SK135SRL, SK135SRL-1E, SK135SRLC, SK135SRLC-1E, SK150, SK150LC, SK150LC III, SK150LC IV, SK160LC, SK160LC IV, SK160LC-6E, SK200, SK200 III, SK200 IV, SK200 V, SK200-6, SK200-6ES, SK200-8, SK200LC, SK200LC III, SK200LC IV, SK200LC V, SK200LC-6, SK210 IV, SK210LC, SK210LC-6E, SK210LC-8, SK220 III, SK220LC III, SK220 IV, SK220LC IV, SK230-6E, SK235SR, SK235SR-1E, SK235SR-1ES, SK235SR-2, SK235SRLC, SK235SRLC-1E, SK235SRLC-1ES, SK235SRLC-2, SK250 IV, SK250-8, SK250LC, SK250LC IV, SK250LC-6E, SK250NLC IV, SK260, SK260LC-8, SK290LC, SK290LC-6E, SK300 III, SK300 IV, SK300LC III, SK300LC IV, SK310 III, SK310LC III, SK320 III, SK320LC III, SK330 IV, SK330-6E, SK330-8, SK330LC, SK330LC IV, SK330LC-6E, SK350-8, SK350LC-8, SK400LC III, SK400LC IV	808 - 860
Excavators-Compact SK25SR-2, SK35SR-2, SK35SR-3	860 - 862
Alpha-Numeric Kit Listing	863 - 866
Kobelco Individual Parts	866 - 869

All manufacturer's names, part numbers and descriptions are used for reference purposes only. We do not imply that any part shown is the product of these manufacturers. We also do not imply that the list price shown is exactly that of the manufacturer.

KOBELCO

Replacement Kits For

Excavators							
APPLICATION	CYL #	SERIAL #	CODE	ROD	BORE	KIT #	List \$
MODEL K903II							
ARM			P-UB-1	65 mm		KOB-2438U1097R100	166.04
			N-N-10		110 mm	KOB-2438U716R140	210.87
BOOM			P-UB-1	70 mm		KOB-2438U721R100	248.22
			N-N-10		125 mm	KOB-2438U1094R140	284.10
BUCKET			P-UB-1	60 mm		KOB-2438U1096R100	184.31
			N-N-10		95 mm	KOB-2438U1096R200	215.15
MODEL K904II							
ARM			P-UB-1	75 mm		KOB-2438U991R100	188.31
			N-N-10		115 mm	KOB-2438U991R200	356.49
BOOM			P-UB-1	70 mm		KOB-2438U989R100	189.89
			N-N-10		100 mm	KOB-2438U989R200	259.96
BUCKET			P-UB-1	65 mm		KOB-2438U992R100	159.08
			N-N-10		95 mm	KOB-2438U992R200	257.41
MODEL K904III							
ARM			P-UB-1	75 mm		KOB-2438U1098R100	175.23
			N-N-10		115 mm	KOB-2438U1098R200	354.19
BOOM			P-UB-1	70 mm		KOB-2438U1099R100	187.97
			N-N-10		100 mm	KOB-2438U1123R200	259.96
BUCKET			P-UB-1	65 mm		KOB-2438U1097R100	166.04
			N-N-10		95 mm	KOB-2438U1097R200	257.16
MODEL K905II							
ARM	2438U973F1		P-UB-1	80 mm		KOB-2438U973R100	221.00
	2438U973F1		N-N-10		120 mm	KOB-2438U973R200	368.33
BOOM	2438U971F2, 972FS		P-UB-1	70 mm		KOB-2438U971R100	195.64
	2438U971F2, 972FS		N-N-10		105 mm	KOB-2438U971R200	262.16
BUCKET	2438U974F1		P-UB-1	65 mm		KOB-2438U974R100	168.10
	2438U974F1		N-N-10		100 mm	KOB-2438U974R200	271.07
MODEL K907D							
ARM	2438U921F1, F2		P-UB-1	95 mm		KOB-2438U921R100	175.49
	2438U921F1, F2		N-N-10		145 mm	KOB-2438U921R110	337.22
BOOM	2438U914D1F1, D2F1		P-UB-1	85 mm		KOB-2438U914R100	187.73
	2438U914D1F1, D2F1		N-N-10		125 mm	KOB-2438U914R200	275.49
BUCKET	2438U915F1		P-UB-1	75 mm		KOB-2438U915R100	141.85
	2438U915F1		N-N-10		120 mm	KOB-2438U915R110	268.86
MODEL K907II							
ARM	2438U941F1		P-UB-1	100 mm		KOB-2438U941R100	244.56
	2438U941F1		N-N-14		145 mm	KOB-2438U941R200	447.48
BOOM	2438U996F1, 997F1		P-UB-1	85 mm		KOB-2438U996R100	215.45
	2438U996F1, 997F1		N-N-14		125 mm	KOB-2438U996R200	453.26
BUCKET	2438U995F1		P-UB-1	80 mm		KOB-2438U995R100	157.49
	2438U995F1		N-N-14		120 mm	KOB-2438U995R200	413.93
MODEL K909A							
ARM			P-UB-1	100 mm		KOB-2438U588R110	239.79
			N-N-10		150 mm	KOB-2438U588R120	340.36
BOOM			P-UB-1	90 mm		KOB-2438U587R100	221.46
			N-N-10		140 mm	KOB-2438U587R110	333.40
BUCKET			P-UB-1	90 mm		KOB-2438U568R100	222.00
			N-N-10		130 mm	KOB-2438U568R110	313.83
MODEL K909II							
ARM	2438U953F1		P-UB-1	105 mm		KOB-2438U953R100	318.88
	2438U953F1		N-N-10		150 mm	KOB-2438U953R200	582.44
BOOM	2438U999F1,1000F1		P-UB-1	90 mm		KOB-2438U999R100	206.90
	2438U999F1,1000F1		N-N-10		140 mm	KOB-2438U999R200	398.50
BUCKET	2438U959F1		P-UB-1	85 mm		KOB-2438U959R100	167.34
	2438U959F1		N-N-10		130 mm	KOB-2438U959R200	374.68

KOBELCO

KOBELCO

Replacement Kits For

Excavators							
APPLICATION	CYL #	SERIAL #	CODE	ROD	BORE	KIT #	List \$
MODEL K912II							
ARM	2438U1323F1		P-UB-1	110 mm		KOB-2438U1323R100	278.04
	2438U1323F1		N-N-10		160 mm	KOB-2438U1323R110	512.11
BOOM	2438U776F1		P-UB-1	95 mm		KOB-2438U776R100	255.51
	2438U776F1		N-N-10		150 mm	KOB-2438U776R110	413.44
BUCKET	2438U1324F1		P-UB-1	100 mm		KOB-2438U1324R100	197.59
	2438U1324F1		N-N-10		150 mm	KOB-2438U1324R110	256.35
MODEL K916II							
ARM	2438U1029F1		P-UB-1	130 mm		KOB-2438U1029R100	411.88
	2438U1029F1		N-N-14		180 mm	KOB-2438U1029R200	596.99
BOOM	2438U1028D1F1, D2F1		P-UB-1	110 mm		KOB-2438U1028R100	237.57
	2438U1028D1F1, D2F1		N-N-14		170 mm	KOB-2438U1028R200	568.76
BUCKET	2438U1030F1		P-UB-1	120 mm		KOB-2438U1030R100	296.21
	2438U1030F1		N-N-14		170 mm	KOB-2438U1030R200	568.76
MODEL SK60							
ARM			P-UB-1	65 mm		KOB-2438U1097R100	166.04
			N-N-10		110 mm	KOB-2438U716R140	210.87
BOOM			P-UB-1	70 mm		KOB-2438U721R100	248.22
			N-N-10		125 mm	KOB-2438U1094R140	284.10
BUCKET			P-UB-1	60 mm		KOB-2438U1096R100	184.31
			N-N-10		95 mm	KOB-2438U1096R200	215.15
MODEL SK70SR							
ARM	YT01V00002F1	YT01-00101-	N-N-10		95 mm	KOB-2438U1096R200	215.15
BOOM	YT01V00001F1	YT01-00101-	N-N-10		110 mm	KOB-2438U716R140	210.87
MODEL SK70SR-1E							
ARM	YT01V00002F1	YT02-04001-YT02-05431	N-N-10		95 mm	KOB-2438U1096R200	215.15
	YT01V00002F1	YT03-05432-	N-N-10		95 mm	KOB-2438U1096R200	215.15
	YT01V00002F1	YT04-07001-	N-N-10		95 mm	KOB-2438U1096R200	215.15
BOOM	YT01V00004F1	YT04-07001-	N-N-10		110 mm	KOB-2438U716R140	210.87
	YT01V00004F2	YT04-07001-	N-N-10		110 mm	KOB-2438U716R140	210.87
BOOM Straight Boom	YT01V00004F1	YT02-04001-YT02-05431	N-N-10		110 mm	KOB-2438U716R140	210.87
	YT01V00004F1	YT03-05432-	N-N-10		110 mm	KOB-2438U716R140	210.87
	YT01V00004F2	YT02-04001-YT02-05431	N-N-10		110 mm	KOB-2438U716R140	210.87
	YT01V00004F2	YT03-05432-	N-N-10		110 mm	KOB-2438U716R140	210.87
MODEL SK70SR-1ES							
ARM	YT01V00002F1	YT04-07001-	N-N-10		95 mm	KOB-2438U1096R200	215.15
BOOM	YT01V00004F1	YT04-07001-	N-N-10		110 mm	KOB-2438U716R140	210.87
	YT01V00004F2	YT04-07001-	N-N-10		110 mm	KOB-2438U716R140	210.87
MODEL SK80CS							
ARM	YT01V00002F1	LF01-00501-LF01-00861	N-N-10		95 mm	KOB-2438U1096R200	215.15
BOOM	LF01V00003F1	LF01-00501-LF01-00861	N-N-10		110 mm	KOB-2438U716R140	210.87
MODEL SK80CS-1E							
ARM	YT01V00002F1	LF02-01001-LF02-01279	N-N-10		95 mm	KOB-2438U1096R200	215.15
	YT01V00002F1	LF03-01280-	N-N-10		95 mm	KOB-2438U1096R200	215.15
	YT01V00002F1	LF04-02001-	N-N-10		95 mm	KOB-2438U1096R200	215.15
MODEL SK80MSR							
ARM	YT01V00002F1	LF01-00501-LF01-00861	N-N-10		95 mm	KOB-2438U1096R200	215.15
BOOM	LF01V00003F1	LF01-00501-LF01-00861	N-N-10		110 mm	KOB-2438U716R140	210.87
MODEL SK80MSR-1E							
ARM	YT01V00002F1	LF01-01001-LF02-01001-01279	N-N-10		95 mm	KOB-2438U1096R200	215.15
	YT01V00002F1	LF02-01001-	N-N-10		95 mm	KOB-2438U1096R200	215.15
	YT01V00002F1	LF03-01280-	N-N-10		95 mm	KOB-2438U1096R200	215.15
	YT01V00002F1	LF04-02001-	N-N-10		95 mm	KOB-2438U1096R200	215.15
MODEL SK80MSR-1ES							
ARM	YT01V00002F1	LF04-02001-	N-N-10		95 mm	KOB-2438U1096R200	215.15

KOBELCO

Replacement Kits For

KOBELCO

Excavators							
APPLICATION	CYL #	SERIAL #	CODE	ROD	BORE	KIT #	List \$
MODEL SK100							
ARM			P-UB-1	75 mm		KOB-2438U1098R100	175.23
			N-N-10		115 mm	KOB-2438U1098R200	354.19
BOOM			P-UB-1	70 mm		KOB-2438U1099R100	187.97
			N-N-10		100 mm	KOB-2438U1123R200	259.96
BUCKET			P-UB-1	65 mm		KOB-2438U1097R100	166.04
			N-N-10		95 mm	KOB-2438U1097R200	257.16
MODEL SK115DZ IV							
ARM	2438U1132F1	LPU5001-	P-UB-10	80 mm	120 mm	KOB-2438U1132R300	574.76
	2438U1132F1	LPU5001-	P-UB-1	80 mm		KOB-2438U1132R100	206.74
	2438U1132F1	LPU5001-	N-N-10		120 mm	KOB-2438U1132R200	368.02
BOOM LH	2438U1134F1	LPU5001-	P-UB-10	70 mm	105 mm	KOB-2438U1133R300	425.23
	2438U1134F1	LPU5001-	P-UB-1	70 mm		KOB-2438U1133R100	185.42
	2438U1134F1	LPU5001-	N-N-10		105 mm	KOB-2438U1133R200	262.18
BOOM RH	2438U1133F1	LPU5001-	P-UB-10	70 mm	105 mm	KOB-2438U1133R300	425.23
	2438U1133F1	LPU5001-	P-UB-1	70 mm		KOB-2438U1133R100	185.42
	2438U1133F1	LPU5001-	N-N-10		105 mm	KOB-2438U1133R200	262.18
BUCKET	2438U1131F1	LPU5001-	P-UB-10	65 mm	100 mm	KOB-2438U1131R300	412.14
	2438U1131F1	LPU5001-	P-UB-1	65 mm		KOB-2438U1131R100	166.04
	2438U1131F1	LPU5001-	N-N-10		100 mm	KOB-2438U1131R200	267.82
DOZER	2438U738F1	LPU5001-	P-UB-10	65 mm	100 mm	KOB-2438U738R400	158.63
	2438U738F1	LPU5001-	P-UB-1	65 mm		KOB-2438U738R100	94.06
	2438U738F1	LPU5001-	N-N-10		100 mm	KOB-2438U738R200	64.53
	2438U738F2	LPU5001-	P-UB-10	65 mm	100 mm	KOB-2438U738R400	158.63
	2438U738F2	LPU5001-	P-UB-1	65 mm		KOB-2438U738R300	94.06
	2438U738F2	LPU5001-	N-N-10		100 mm	KOB-2438U738R200	64.53
MODEL SK115SRDZ							
ARM	YY01V00003F1	YY00101-	P-UB-14	80 mm	115 mm	KOB-YY01V00003R300	311.14
	YY01V00003F1	YY00101-	P-UB-1	80 mm		KOB-YY01V00003R100	114.58
	YY01V00003F1	YY00101-	N-N-14		115 mm	KOB-YY01V00003R200	196.57
	YY01V00003F1	YY02-03001-	P-UB-14	80 mm	115 mm	KOB-YY01V00003R300	311.14
	YY01V00003F1	YY02-03001-	P-UB-1	80 mm		KOB-YY01V00003R100	114.58
	YY01V00003F1	YY02-03001-	N-N-14		115 mm	KOB-YY01V00003R200	196.57
	YY01V00003F2	YY00101-	P-UB-14	80 mm	115 mm	KOB-YY01V00003R300	311.14
	YY01V00003F2	YY00101-	P-UB-1	80 mm		KOB-YY01V00003R100	114.58
	YY01V00003F2	YY00101-	N-N-14		115 mm	KOB-YY01V00003R200	196.57
	YY01V00003F2	YY02-03001-	P-UB-14	80 mm	115 mm	KOB-YY01V00003R300	311.14
	YY01V00003F2	YY02-03001-	P-UB-1	80 mm		KOB-YY01V00003R100	114.58
	YY01V00003F2	YY02-03001-	N-N-14		115 mm	KOB-YY01V00003R200	196.57
	YY01V00009F1	YY02-03001-	P-UB-14	80 mm	115 mm	KOB-YY01V00009R300	311.14
	YY01V00009F1	YY02-03001-	P-UB-1	80 mm		KOB-YY01V00009R100	114.58
	YY01V00009F1	YY02-03001-	N-N-14		115 mm	KOB-YY01V00009R200	196.57
ARM Telescopic	LP01V00010F1	YY02-03001-	P-UB-14	50 mm	70 mm	KOB-LP01V00004R300	335.99
	LP01V00010F1	YY02-03001-	P-UB-1	50 mm		KOB-LP01V00004R100	115.06
	LP01V00010F1	YY02-03001-	N-N-14		70 mm	KOB-LP01V00004R200	220.93
BOOM LH	YY01V00001F1	YY00101-	P-UB-14	70 mm	100 mm	KOB-YY01V00001R300	340.02
	YY01V00001F1	YY00101-	P-UB-1	70 mm		KOB-YY01V00001R100	103.26
	YY01V00001F1	YY00101-	N-N-14		100 mm	KOB-YY01V00001R200	236.79
	YY01V00001F1	YY02-03001-	P-UB-14	70 mm	100 mm	KOB-YY01V00001R300	340.02
	YY01V00001F1	YY02-03001-	P-UB-1	70 mm		KOB-YY01V00001R100	103.26
	YY01V00001F1	YY02-03001-	N-N-14		100 mm	KOB-YY01V00001R200	236.79
BOOM RH	YY01V00002F1	YY00101-	P-UB-14	70 mm	100 mm	KOB-YY01V00001R300	340.02
	YY01V00002F1	YY00101-	P-UB-1	70 mm		KOB-YY01V00001R100	103.26
	YY01V00002F1	YY00101-	N-N-14		100 mm	KOB-YY01V00001R200	236.79
	YY01V00002F1	YY02-03001-	P-UB-14	70 mm	100 mm	KOB-YY01V00001R300	340.02
	YY01V00002F1	YY02-03001-	P-UB-1	70 mm		KOB-YY01V00001R100	103.26

KOBELCO

Replacement Kits For

KOBELCO

Excavators							
APPLICATION	CYL #	SERIAL #	CODE	ROD	BORE	KIT #	List \$
MODEL SK115SRDZ							
BOOM RH	YY01V00002F1	YY02-03001-	N-N-14		100 mm	KOB-YY01V00001R200	236.79
BUCKET	YX01V00005F1	YY00101-	P-UB-14	65 mm	95 mm	KOB-YX01V00005R300	133.06
	YX01V00005F1	YY00101-	P-UB-1	65 mm		KOB-YX01V00005R100	96.30
	YX01V00005F1	YY00101-	N-N-14		95 mm	KOB-YX01V00005R200	110.68
	YX01V00005F1	YY02-03001-	P-UB-14	65 mm	95 mm	KOB-YX01V00005R300	133.06
	YX01V00005F1	YY02-03001-	P-UB-1	65 mm		KOB-YX01V00005R100	96.30
	YX01V00005F1	YY02-03001-	N-N-14		95 mm	KOB-YX01V00005R200	110.68
	YX01V00005F2	YY02-03001-	P-UB-14	65 mm	95 mm	KOB-YX01V00005R300	133.06
	YX01V00005F2	YY02-03001-	P-UB-1	65 mm		KOB-YX01V00005R100	96.30
	YX01V00005F2	YY02-03001-	N-N-14		95 mm	KOB-YX01V00005R200	110.68
	YX01V00005F3	YY02-03001-	P-UB-14	65 mm	95 mm	KOB-YX01V00005R300	133.06
	YX01V00005F3	YY02-03001-	P-UB-1	65 mm		KOB-YX01V00005R100	96.30
	YX01V00005F3	YY02-03001-	N-N-14		95 mm	KOB-YX01V00005R200	110.68
	YX01V00005F4	YY02-03001-	P-UB-14	65 mm	95 mm	KOB-YX01V00005R300	133.06
	YX01V00005F4	YY02-03001-	P-UB-1	65 mm		KOB-YX01V00005R100	96.30
YX01V00005F4	YY02-03001-	N-N-14		95 mm	KOB-YX01V00005R200	110.68	
DOZER LH	YX01V00006F1	YY00101-	P-UB-10	65 mm	110 mm	KOB-YX01V00006R300	239.30
	YX01V00006F1	YY00101-	P-UB-1	65 mm		KOB-YX01V00006R100	123.63
	YX01V00006F1	YY00101-	N-N-10		110 mm	KOB-YX01V00006R200	115.68
	YX01V00006F1	YY02-03001-	P-UB-10	65 mm	110 mm	KOB-YX01V00006R300	239.30
	YX01V00006F1	YY02-03001-	P-UB-1	65 mm		KOB-YX01V00006R100	123.63
YX01V00006F1	YY02-03001-	N-N-10		110 mm	KOB-YX01V00006R200	115.68	
DOZER RH	YX01V00007F1	YY00101-	P-UB-10	65 mm	110 mm	KOB-YX01V00006R300	239.30
	YX01V00007F1	YY00101-	P-UB-1	65 mm		KOB-YX01V00006R100	123.63
	YX01V00007F1	YY00101-	N-N-10		110 mm	KOB-YX01V00006R200	115.68
	YX01V00007F1	YY02-03001-	P-UB-10	65 mm	110 mm	KOB-YX01V00006R300	239.30
	YX01V00007F1	YY02-03001-	P-UB-1	65 mm		KOB-YX01V00006R100	123.63
YX01V00007F1	YY02-03001-	N-N-10		110 mm	KOB-YX01V00006R200	115.68	
OFFSET	YX01V00008F1	YY02-03001-	P-UB-14	70 mm	105 mm	KOB-YX01V00008R300	200.66
	YX01V00008F1	YY02-03001-	P-UB-1	70 mm		KOB-YX01V00008R100	69.26
	YX01V00008F1	YY02-03001-	N-N-14		105 mm	KOB-YX01V00008R200	131.37
MODEL SK115SRDZ-1E							
ARM	YY01V00003F1	YY03-04555-YY03-05770	P-UB-14	80 mm	115 mm	KOB-YY01V00003R300	311.14
	YY01V00003F1	YY03-04555-YY03-05770	P-UB-1	80 mm		KOB-YY01V00003R100	114.58
	YY01V00003F1	YY03-04555-YY03-05770	N-N-14		115 mm	KOB-YY01V00003R200	196.57
	YY01V00003F1	YY04-06001-	P-UB-14	80 mm	115 mm	KOB-YY01V00003R300	311.14
	YY01V00003F1	YY04-06001-	P-UB-1	80 mm		KOB-YY01V00003R100	114.58
	YY01V00003F1	YY04-06001-	N-N-14		115 mm	KOB-YY01V00003R200	196.57
	YY01V00003F2	YY03-04555-YY03-05770	P-UB-14	80 mm	115 mm	KOB-YY01V00003R300	311.14
	YY01V00003F2	YY03-04555-YY03-05770	P-UB-1	80 mm		KOB-YY01V00003R100	114.58
	YY01V00003F2	YY03-04555-YY03-05770	N-N-14		115 mm	KOB-YY01V00003R200	196.57
	YY01V00003F2	YY04-06001-	P-UB-14	80 mm	115 mm	KOB-YY01V00003R300	311.14
	YY01V00003F2	YY04-06001-	P-UB-1	80 mm		KOB-YY01V00003R100	114.58
	YY01V00003F2	YY04-06001-	N-N-14		115 mm	KOB-YY01V00003R200	196.57
	YY01V00003F3	YY04-06001-	P-UB-14	80 mm	115 mm	KOB-YY01V00003R300	311.14
	YY01V00003F3	YY04-06001-	P-UB-1	80 mm		KOB-YY01V00003R100	114.58
	YY01V00003F3	YY04-06001-	N-N-14		115 mm	KOB-YY01V00003R200	196.57
	YY01V00003F4	YY04-06001-	P-UB-14	80 mm	115 mm	KOB-YY01V00004R910	312.15
	YY01V00003F4	YY04-06001-	P-UB-1	80 mm		KOB-YY01V00004R900	115.54
	YY01V00003F4	YY04-06001-	N-N-14		115 mm	KOB-YY01V00003R200	196.57
	YY01V00003F5	YY04-06001-	P-UB-14	80 mm	115 mm	KOB-YY01V00004R910	312.15
	YY01V00003F5	YY04-06001-	P-UB-1	80 mm		KOB-YY01V00004R900	115.54
	YY01V00003F5	YY04-06001-	N-N-14		115 mm	KOB-YY01V00003R200	196.57
	YY01V00009F1	YY03-04555-YY03-05770	P-UB-14	80 mm	115 mm	KOB-YY01V00009R300	311.14
	YY01V00009F1	YY03-04555-YY03-05770	P-UB-1	80 mm		KOB-YY01V00009R100	114.58

KOBELCO

Replacement Kits For

KOBELCO

Excavators							
APPLICATION	CYL #	SERIAL #	CODE	ROD	BORE	KIT #	List \$
MODEL SK115SRDZ-1E							
ARM	YY01V00009F1	YY03-04555-YY03-05770	N-N-14		115 mm	KOB-YY01V00009R200	196.57
	YY01V00009F1	YY04-06001-	P-UB-14	80 mm	115 mm	KOB-YY01V00003R300	311.14
	YY01V00009F1	YY04-06001-	P-UB-1	80 mm		KOB-YY01V00003R100	114.58
	YY01V00009F1	YY04-06001-	N-N-14		115 mm	KOB-YY01V00003R200	196.57
	YY01V00009F2	YY04-06001-	P-UB-14	80 mm	115 mm	KOB-YY01V00004R910	312.15
	YY01V00009F2	YY04-06001-	P-UB-1	80 mm		KOB-YX01V00004R600	115.54
	YY01V00009F2	YY04-06001-	N-N-14		115 mm	KOB-YY01V00003R200	196.57
ARM Telescopic	LP01V00010F1	YY03-04555-YY03-05770	P-UB-14	50 mm	70 mm	KOB-LP01V00004R300	335.99
	LP01V00010F1	YY03-04555-YY03-05770	P-UB-1	50 mm		KOB-LP01V00004R100	115.06
	LP01V00010F1	YY03-04555-YY03-05770	N-N-14		70 mm	KOB-LP01V00004R200	220.93
BOOM LH	YY01V00001F1	YY03-04555-YY03-05770	P-UB-14	70 mm	100 mm	KOB-YY01V00001R300	340.02
	YY01V00001F1	YY03-04555-YY03-05770	P-UB-1	70 mm		KOB-YY01V00001R100	103.26
	YY01V00001F1	YY03-04555-YY03-05770	N-N-14		100 mm	KOB-YY01V00001R200	236.79
	YY01V00001F1	YY04-06001-	P-UB-14	70 mm	100 mm	KOB-YY01V00001R300	340.02
	YY01V00001F1	YY04-06001-	P-UB-1	70 mm		KOB-YY01V00001R100	103.26
	YY01V00001F1	YY04-06001-	N-N-14		100 mm	KOB-YY01V00001R200	236.79
	YY01V00001F2	YY04-06001-	P-UB-14	70 mm	100 mm	KOB-YY01V00045R700	371.60
	YY01V00001F2	YY04-06001-	P-UB-1	70 mm		KOB-YY01V00045R600	134.83
	YY01V00001F2	YY04-06001-	N-N-14		100 mm	KOB-YY01V00001R200	236.79
	YY01V00002F1	YY03-04555-YY03-05770	P-UB-14	70 mm	100 mm	KOB-YY01V00001R300	340.02
	YY01V00002F1	YY03-04555-YY03-05770	P-UB-1	70 mm		KOB-YY01V00001R100	103.26
BOOM RH	YY01V00002F1	YY03-04555-YY03-05770	N-N-14		100 mm	KOB-YY01V00001R200	236.79
	YY01V00002F1	YY04-06001-	P-UB-14	70 mm	100 mm	KOB-YY01V00001R300	340.02
	YY01V00002F1	YY04-06001-	P-UB-1	70 mm		KOB-YY01V00001R100	103.26
	YY01V00002F1	YY04-06001-	N-N-14		100 mm	KOB-YY01V00001R200	236.79
	YY01V00002F2	YY04-06001-	P-UB-14	70 mm	100 mm	KOB-YY01V00045R700	371.60
	YY01V00002F2	YY04-06001-	P-UB-1	70 mm		KOB-YY01V00045R600	134.83
	YY01V00002F2	YY04-06001-	N-N-14		100 mm	KOB-YY01V00001R200	236.79
	YX01V00005F1	YY03-04555-YY03-05770	P-UB-14	65 mm	95 mm	KOB-YX01V00005R300	133.06
	YX01V00005F1	YY03-04555-YY03-05770	P-UB-1	65 mm		KOB-YX01V00005R100	96.30
	YX01V00005F1	YY03-04555-YY03-05770	N-N-14		95 mm	KOB-YX01V00005R200	110.68
	YX01V00005F1	YY04-06001-	P-UB-14	65 mm	95 mm	KOB-YX01V00005R300	133.06
BUCKET	YX01V00005F1	YY04-06001-	P-UB-1	65 mm		KOB-YX01V00005R100	96.30
	YX01V00005F1	YY04-06001-	N-N-14		95 mm	KOB-YX01V00005R200	110.68
	YX01V00005F2	YY03-04555-YY03-05770	P-UB-14	65 mm	95 mm	KOB-YX01V00005R300	133.06
	YX01V00005F2	YY03-04555-YY03-05770	P-UB-1	65 mm		KOB-YX01V00005R100	96.30
	YX01V00005F2	YY03-04555-YY03-05770	N-N-14		95 mm	KOB-YX01V00005R200	110.68
	YX01V00005F2	YY04-06001-	P-UB-14	65 mm	95 mm	KOB-YX01V00005R300	133.06
	YX01V00005F2	YY04-06001-	P-UB-1	65 mm		KOB-YX01V00005R100	96.30
	YX01V00005F2	YY04-06001-	N-N-14		95 mm	KOB-YX01V00005R200	110.68
	YX01V00005F3	YY03-04555-YY03-05770	P-UB-14	65 mm	95 mm	KOB-YX01V00005R300	133.06
	YX01V00005F3	YY03-04555-YY03-05770	P-UB-1	65 mm		KOB-YX01V00005R100	96.30
	YX01V00005F3	YY03-04555-YY03-05770	N-N-14		95 mm	KOB-YX01V00005R200	110.68
	YX01V00005F3	YY04-06001-	P-UB-14	65 mm	95 mm	KOB-YX01V00005R300	133.06
	YX01V00005F3	YY04-06001-	P-UB-1	65 mm		KOB-YX01V00005R100	96.30
	YX01V00005F3	YY04-06001-	N-N-14		95 mm	KOB-YX01V00005R200	110.68
	YX01V00005F4	YY03-04555-YY03-05770	P-UB-14	65 mm	95 mm	KOB-YX01V00005R300	133.06
	YX01V00005F4	YY03-04555-YY03-05770	P-UB-1	65 mm		KOB-YX01V00005R100	96.30
	YX01V00005F4	YY03-04555-YY03-05770	N-N-14		95 mm	KOB-YX01V00005R200	110.68
	YX01V00005F4	YY04-06001-	P-UB-14	65 mm	95 mm	KOB-YX01V00005R300	133.06
	YX01V00005F4	YY04-06001-	P-UB-1	65 mm		KOB-YX01V00005R100	96.30
	YX01V00005F4	YY04-06001-	N-N-14		95 mm	KOB-YX01V00005R200	110.68
	YX01V00005F5	YY03-04555-YY03-05770	P-UB-14	65 mm	95 mm	KOB-YX01V00005R300	133.06
	YX01V00005F5	YY03-04555-YY03-05770	P-UB-1	65 mm		KOB-YX01V00005R100	96.30
	YX01V00005F5	YY03-04555-YY03-05770	N-N-14		95 mm	KOB-YX01V00005R200	110.68

KOBELCO

Replacement Kits For

KOBELCO

Excavators							
APPLICATION	CYL #	SERIAL #	CODE	ROD	BORE	KIT #	List \$
MODEL SK115SRDZ-1E							
BUCKET	YX01V00005F5	YY04-06001-	P-UB-14	65 mm	95 mm	KOB-YX01V00005R300	133.06
	YX01V00005F5	YY04-06001-	P-UB-1	65 mm		KOB-YX01V00005R100	96.30
	YX01V00005F5	YY04-06001-	N-N-14		95 mm	KOB-YX01V00005R200	110.68
	YX01V00005F6	YY04-06001-	P-UB-14	65 mm	95 mm	KOB-YY01V00005R700	143.61
	YX01V00005F6	YY04-06001-	P-UB-1	65 mm		KOB-YY01V00005R600	112.70
	YX01V00005F6	YY04-06001-	N-N-14		95 mm	KOB-YX01V00005R200	110.68
	YX01V00005F7	YY04-06001-	P-UB-14	65 mm	95 mm	KOB-YY01V00005R700	143.61
	YX01V00005F7	YY04-06001-	P-UB-1	65 mm		KOB-YY01V00005R600	112.70
	YX01V00005F7	YY04-06001-	N-N-14		95 mm	KOB-YX01V00005R200	110.68
	YX01V00005F8	YY04-06001-	P-UB-14	65 mm	95 mm	KOB-YY01V00005R700	143.61
	YX01V00005F8	YY04-06001-	P-UB-1	65 mm		KOB-YY01V00005R600	112.70
	YX01V00005F8	YY04-06001-	N-N-14		95 mm	KOB-YX01V00005R200	110.68
DOZER LH	YX01V00006F1	YY03-04555-YY03-05770	P-UB-10	65 mm	110 mm	KOB-YX01V00006R300	239.30
	YX01V00006F1	YY03-04555-YY03-05770	P-UB-1	65 mm		KOB-YX01V00006R100	123.63
	YX01V00006F1	YY03-04555-YY03-05770	N-N-10		110 mm	KOB-YX01V00006R200	115.68
	YX01V00006F1	YY04-06001-	P-UB-10	65 mm	110 mm	KOB-YX01V00006R300	239.30
	YX01V00006F1	YY04-06001-	P-UB-1	65 mm		KOB-YX01V00006R100	123.63
	YX01V00006F1	YY04-06001-	N-N-10		110 mm	KOB-YX01V00006R200	115.68
	YX01V00007F1	YY04-06001-	P-UB-10	65 mm	110 mm	KOB-YX01V00006R300	239.30
	YX01V00007F1	YY04-06001-	P-UB-1	65 mm		KOB-YX01V00006R100	123.63
DOZER RH	YX01V00007F1	YY04-06001-	N-N-10		110 mm	KOB-YX01V00006R200	115.68
	YX01V00007F1	YY03-04555-YY03-05770	P-UB-10	65 mm	110 mm	KOB-YX01V00006R300	239.30
	YX01V00007F1	YY03-04555-YY03-05770	P-UB-1	65 mm		KOB-YX01V00006R100	123.63
OFFSET	YX01V00008F1	YY03-04555-YY03-05770	N-N-10		110 mm	KOB-YX01V00006R200	115.68
	YX01V00008F1	YY03-04555-YY03-05770	P-UB-14	70 mm	105 mm	KOB-YX01V00008R300	200.66
	YX01V00008F1	YY03-04555-YY03-05770	P-UB-1	70 mm		KOB-YX01V00008R100	69.26
	YX01V00008F1	YY03-04555-YY03-05770	N-N-14		105 mm	KOB-YX01V00008R200	131.37
	YX01V00008F1	YY04-06001-	P-UB-14	70 mm	105 mm	KOB-YX01V00008R300	200.66
	YX01V00008F1	YY04-06001-	P-UB-1	70 mm		KOB-YX01V00008R100	69.26
	YX01V00008F1	YY04-06001-	N-N-14		105 mm	KOB-YX01V00008R200	131.37
	YX01V00008F2	YY04-06001-	P-UB-14	70 mm	105 mm	KOB-YX01V00008R700	266.23
MODEL SK120	YX01V00008F2	YY04-06001-	P-UB-1	70 mm		KOB-YY01V000045R600	134.83
	YX01V00008F2	YY04-06001-	N-N-14		105 mm	KOB-YX01V00008R200	131.37
ARM	2438U1132F1	LPU1001-	P-UB-10	80 mm	120 mm	KOB-2438U1132R300	574.76
	2438U1132F1	LPU1001-	P-UB-1	80 mm		KOB-2438U1132R100	206.74
	2438U1132F1	LPU1001-	N-N-10		120 mm	KOB-2438U1132R200	368.02
BOOM LH	2438U1134F1	LPU1001-	P-UB-10	70 mm	105 mm	KOB-2438U1133R300	425.23
	2438U1134F1	LPU1001-	P-UB-1	70 mm		KOB-2438U1133R100	185.42
	2438U1134F1	LPU1001-	N-N-10		105 mm	KOB-2438U1133R200	262.18
BOOM RH	2438U1133F1	LPU1001-	P-UB-10	70 mm	105 mm	KOB-2438U1133R300	425.23
	2438U1133F1	LPU1001-	P-UB-1	70 mm		KOB-2438U1133R100	185.42
	2438U1133F1	LPU1001-	N-N-10		105 mm	KOB-2438U1133R200	262.18
BUCKET	2438U1131F1	LPU1001-	P-UB-10	65 mm	100 mm	KOB-2438U1131R300	412.14
	2438U1131F1	LPU1001-	P-UB-1	65 mm		KOB-2438U1131R100	166.04
	2438U1131F1	LPU1001-	N-N-10		100 mm	KOB-2438U1131R200	267.82
MODEL SK120LC							
ARM	2438U1132F1	YPU1001-	P-UB-10	80 mm	120 mm	KOB-2438U1132R300	574.76
	2438U1132F1	YPU1001-	P-UB-1	80 mm		KOB-2438U1132R100	206.74
	2438U1132F1	YPU1001-	N-N-10		120 mm	KOB-2438U1132R200	368.02
BOOM LH	2438U1134F1	YPU1001-	P-UB-10	70 mm	105 mm	KOB-2438U1133R300	425.23
	2438U1134F1	YPU1001-	P-UB-1	70 mm		KOB-2438U1133R100	185.42
	2438U1134F1	YPU1001-	N-N-10		105 mm	KOB-2438U1133R200	262.18
BOOM RH	2438U1133F1	YPU1001-	P-UB-10	70 mm	105 mm	KOB-2438U1133R300	425.23
	2438U1133F1	YPU1001-	P-UB-1	70 mm		KOB-2438U1133R100	185.42

KOBELCO

Replacement Kits For

KOBELCO

Excavators								
APPLICATION	CYL #	SERIAL #	CODE	ROD	BORE	KIT #	List \$	
MODEL SK120LC								
BOOM RH	2438U1133F1	YPU1001-	N-N-10		105 mm	KOB-2438U1133R200	262.18	
BUCKET	2438U1131F1	YPU1001-	P-UB-10	65 mm	100 mm	KOB-2438U1131R300	412.14	
	2438U1131F1	YPU1001-	P-UB-1	65 mm		KOB-2438U1131R100	166.04	
	2438U1131F1	YPU1001-	N-N-10		100 mm	KOB-2438U1131R200	267.82	
MODEL SK135SR								
ARM	YY01V00003F1	YY02-03001-	P-UB-14	80 mm	115 mm	KOB-YY01V00003R300	311.14	
	YY01V00003F1	YY02-03001-	P-UB-1	80 mm		KOB-YY01V00003R100	114.58	
	YY01V00003F2	YY02-03001-	P-UB-14	80 mm	115 mm	KOB-YY01V00003R300	311.14	
	YY01V00003F2	YY02-03001-	P-UB-1	80 mm		KOB-YY01V00003R100	114.58	
	YY01V00003F2	YY02-03001-	N-N-14		115 mm	KOB-YY01V00003R200	196.57	
	YY01V00009F1	YY02-03001-	P-UB-14	80 mm	115 mm	KOB-YY01V00009R300	311.14	
	YY01V00009F1	YY02-03001-	P-UB-1	80 mm		KOB-YY01V00009R100	114.58	
ARM Telescopic	YY01V00009F1	YY02-03001-	N-N-14		115 mm	KOB-YY01V00009R200	196.57	
	LP01V00010F1	YY02-03001-	P-UB-14	50 mm	70 mm	KOB-LP01V00004R300	335.99	
	LP01V00010F1	YY02-03001-	P-UB-1	50 mm		KOB-LP01V00004R100	115.06	
BOOM LH	LP01V00010F1	YY02-03001-	N-N-14		70 mm	KOB-LP01V00004R200	220.93	
	YY01V00001F1	YY02-03001-	P-UB-14	70 mm	100 mm	KOB-YY01V00001R300	340.02	
	YY01V00001F1	YY02-03001-	P-UB-1	70 mm		KOB-YY01V00001R100	103.26	
BOOM RH	YY01V00001F1	YY02-03001-	N-N-14		100 mm	KOB-YY01V00001R200	236.79	
	YY01V00002F1	YY02-03001-	P-UB-14	70 mm	100 mm	KOB-YY01V00001R300	340.02	
	YY01V00002F1	YY02-03001-	P-UB-1	70 mm		KOB-YY01V00001R100	103.26	
BUCKET	YY01V00002F1	YY02-03001-	N-N-14		100 mm	KOB-YY01V00001R200	236.79	
	YX01V00005F1	YY02-03001-	P-UB-14	65 mm	95 mm	KOB-YX01V00005R300	133.06	
	YX01V00005F1	YY02-03001-	P-UB-1	65 mm		KOB-YX01V00005R100	96.30	
BUCKET	YX01V00005F1	YY02-03001-	N-N-14		95 mm	KOB-YX01V00005R200	110.68	
	YX01V00005F2	YY02-03001-	P-UB-14	65 mm	95 mm	KOB-YX01V00005R300	133.06	
	YX01V00005F2	YY02-03001-	P-UB-1	65 mm		KOB-YX01V00005R100	96.30	
	YX01V00005F2	YY02-03001-	N-N-14		95 mm	KOB-YX01V00005R200	110.68	
	YX01V00005F3	YY02-03001-	P-UB-14	65 mm	95 mm	KOB-YX01V00005R300	133.06	
	YX01V00005F3	YY02-03001-	P-UB-1	65 mm		KOB-YX01V00005R100	96.30	
	YX01V00005F3	YY02-03001-	N-N-14		95 mm	KOB-YX01V00005R200	110.68	
	YX01V00005F4	YY02-03001-	P-UB-14	65 mm	95 mm	KOB-YX01V00005R300	133.06	
	YX01V00005F4	YY02-03001-	P-UB-1	65 mm		KOB-YX01V00005R100	96.30	
	YX01V00005F4	YY02-03001-	N-N-14		95 mm	KOB-YX01V00005R200	110.68	
	DOZER LH	YX01V00006F1	YY02-03001-	P-UB-10	65 mm	110 mm	KOB-YX01V00006R300	239.30
	DOZER LH	YX01V00006F1	YY02-03001-	P-UB-1	65 mm		KOB-YX01V00006R100	123.63
		YX01V00006F1	YY02-03001-	N-N-10		110 mm	KOB-YX01V00006R200	115.68
	DOZER RH	YX01V00007F1	YY02-03001-	P-UB-10	65 mm	110 mm	KOB-YX01V00006R300	239.30
YX01V00007F1		YY02-03001-	P-UB-1	65 mm		KOB-YX01V00006R100	123.63	
YX01V00007F1		YY02-03001-	N-N-10		110 mm	KOB-YX01V00006R200	115.68	
OFFSET	YX01V00008F1	YY02-03001-	P-UB-14	70 mm	105 mm	KOB-YX01V00008R300	200.66	
	YX01V00008F1	YY02-03001-	P-UB-1	70 mm		KOB-YX01V00008R100	69.26	
	YX01V00008F1	YY02-03001-	N-N-14		105 mm	KOB-YX01V00008R200	131.37	
MODEL SK135SR-1E								
ARM	YY01V00003F1	YY03-04555-	P-UB-14	80 mm	115 mm	KOB-YY01V00003R300	311.14	
	YY01V00003F1	YY03-04555-	P-UB-1	80 mm		KOB-YY01V00003R100	114.58	
	YY01V00003F1	YY03-04555-	N-N-14		115 mm	KOB-YY01V00003R200	196.57	
	YY01V00003F2	YY03-04555-	P-UB-14	80 mm	115 mm	KOB-YY01V00003R300	311.14	
	YY01V00003F2	YY03-04555-	P-UB-1	80 mm		KOB-YY01V00003R100	114.58	
	YY01V00003F2	YY03-04555-	N-N-14		115 mm	KOB-YY01V00003R200	196.57	
ARM Offset Boom	YY01V00009F1	YY03-04555-	P-UB-14	80 mm	115 mm	KOB-YY01V00009R300	311.14	
	YY01V00009F1	YY03-04555-	P-UB-1	80 mm		KOB-YY01V00009R100	114.58	
	YY01V00009F1	YY03-04555-	N-N-14		115 mm	KOB-YY01V00009R200	196.57	
ARM Telescopic	LP01V00010F1	YY03-04555-	P-UB-14	50 mm	70 mm	KOB-LP01V00004R300	335.99	

KOBELCO

Replacement Kits For

KOBELCO

Excavators							
APPLICATION	CYL #	SERIAL #	CODE	ROD	BORE	KIT #	List \$
MODEL SK135SR-1E							
ARM Telescopic	LP01V00010F1	YY03-04555-	P-UB-1	50 mm		KOB-LP01V00004R100	115.06
	LP01V00010F1	YY03-04555-	N-N-14		70 mm	KOB-LP01V00004R200	220.93
BOOM LH	YY01V00001F1	YY03-04555-	P-UB-14	70 mm	100 mm	KOB-YY01V00001R300	340.02
	YY01V00001F1	YY03-04555-	P-UB-1	70 mm		KOB-YY01V00001R100	103.26
	YY01V00001F1	YY03-04555-	N-N-14		100 mm	KOB-YY01V00001R200	236.79
BOOM RH	YY01V00002F1	YY03-04555-	P-UB-14	70 mm	100 mm	KOB-YY01V00001R300	340.02
	YY01V00002F1	YY03-04555-	P-UB-1	70 mm		KOB-YY01V00001R100	103.26
	YY01V00002F1	YY03-04555-	N-N-14		100 mm	KOB-YY01V00001R200	236.79
BUCKET	YX01V00005F1	YY03-04555-	P-UB-14	65 mm	95 mm	KOB-YX01V00005R300	133.06
	YX01V00005F1	YY03-04555-	P-UB-1	65 mm		KOB-YX01V00005R100	96.30
	YX01V00005F1	YY03-04555-	N-N-14		95 mm	KOB-YX01V00005R200	110.68
	YX01V00005F2	YY03-04555-	P-UB-14	65 mm	95 mm	KOB-YX01V00005R300	133.06
	YX01V00005F2	YY03-04555-	P-UB-1	65 mm		KOB-YX01V00005R100	96.30
	YX01V00005F2	YY03-04555-	N-N-14		95 mm	KOB-YX01V00005R200	110.68
	YX01V00005F3	YY03-04555-	P-UB-14	65 mm	95 mm	KOB-YX01V00005R300	133.06
	YX01V00005F3	YY03-04555-	P-UB-1	65 mm		KOB-YX01V00005R100	96.30
	YX01V00005F3	YY03-04555-	N-N-14		95 mm	KOB-YX01V00005R200	110.68
	YX01V00005F4	YY03-04555-	P-UB-14	65 mm	95 mm	KOB-YX01V00005R300	133.06
	YX01V00005F4	YY03-04555-	P-UB-1	65 mm		KOB-YX01V00005R100	96.30
	YX01V00005F4	YY03-04555-	N-N-14		95 mm	KOB-YX01V00005R200	110.68
	YX01V00005F5	YY03-04555-YY03-05770	P-UB-14	65 mm	95 mm	KOB-YX01V00005R300	133.06
	YX01V00005F5	YY03-04555-YY03-05770	P-UB-1	65 mm		KOB-YX01V00005R100	96.30
	YX01V00005F5	YY03-04555-YY03-05770	N-N-14		95 mm	KOB-YX01V00005R200	110.68
DOZER LH	YX01V00006F1	YY03-04555-	P-UB-10	65 mm	110 mm	KOB-YX01V00006R300	239.30
	YX01V00006F1	YY03-04555-	P-UB-1	65 mm		KOB-YX01V00006R100	123.63
	YX01V00006F1	YY03-04555-	N-N-10		110 mm	KOB-YX01V00006R200	115.68
DOZER RH	YX01V00007F1	YY03-04555-	P-UB-10	65 mm	110 mm	KOB-YX01V00006R300	239.30
	YX01V00007F1	YY03-04555-	P-UB-1	65 mm		KOB-YX01V00006R100	123.63
	YX01V00007F1	YY03-04555-	N-N-10		110 mm	KOB-YX01V00006R200	115.68
OFFSET	YX01V00008F1	YY03-04555-	P-UB-14	70 mm	105 mm	KOB-YX01V00008R300	200.66
	YX01V00008F1	YY03-04555-	P-UB-1	70 mm		KOB-YX01V00008R100	69.26
	YX01V00008F1	YY03-04555-	N-N-14		105 mm	KOB-YX01V00008R200	131.37
MODEL SK135SRL							
ARM	YY01V00003F1	LK01-01001-	P-UB-14	80 mm	115 mm	KOB-YY01V00003R300	311.14
	YY01V00003F1	LK01-01001-	P-UB-1	80 mm		KOB-YY01V00003R100	114.58
	YY01V00003F1	LK01-01001-	N-N-14		115 mm	KOB-YY01V00003R200	196.57
	YY01V00003F2	LK01-01001-	P-UB-14	80 mm	115 mm	KOB-YY01V00003R300	311.14
	YY01V00003F2	LK01-01001-	P-UB-1	80 mm		KOB-YY01V00003R100	114.58
	YY01V00003F2	LK01-01001-	N-N-14		115 mm	KOB-YY01V00003R200	196.57
BOOM LH	YY01V00001F1	LK01-01001-	P-UB-14	70 mm	100 mm	KOB-YY01V00001R300	340.02
	YY01V00001F1	LK01-01001-	P-UB-1	70 mm		KOB-YY01V00001R100	103.26
	YY01V00001F1	LK01-01001-	N-N-14		100 mm	KOB-YY01V00001R200	236.79
BOOM RH	YY01V00002F1	LK01-01001-	P-UB-14	70 mm	100 mm	KOB-YY01V00001R300	340.02
	YY01V00002F1	LK01-01001-	P-UB-1	70 mm		KOB-YY01V00001R100	103.26
	YY01V00002F1	LK01-01001-	N-N-14		100 mm	KOB-YY01V00001R200	236.79
BUCKET	YX01V00005F1	LK01-01001-	P-UB-14	65 mm	95 mm	KOB-YX01V00005R300	133.06
	YX01V00005F1	LK01-01001-	P-UB-1	65 mm		KOB-YX01V00005R100	96.30
	YX01V00005F1	LK01-01001-	N-N-14		95 mm	KOB-YX01V00005R200	110.68
	YX01V00005F2	LK01-01001-	P-UB-14	65 mm	95 mm	KOB-YX01V00005R300	133.06
	YX01V00005F2	LK01-01001-	P-UB-1	65 mm		KOB-YX01V00005R100	96.30
	YX01V00005F2	LK01-01001-	N-N-14		95 mm	KOB-YX01V00005R200	110.68
	YX01V00005F3	LK01-01001-	P-UB-14	65 mm	95 mm	KOB-YX01V00005R300	133.06
	YX01V00005F3	LK01-01001-	P-UB-1	65 mm		KOB-YX01V00005R100	96.30
	YX01V00005F3	LK01-01001-	N-N-14		95 mm	KOB-YX01V00005R200	110.68
DOZER LH	YX01V00006F1	LK01-01001-	P-UB-10	65 mm	110 mm	KOB-YX01V00006R300	239.30

KOBELCO

Replacement Kits For

KOBELCO

Excavators							
APPLICATION	CYL #	SERIAL #	CODE	ROD	BORE	KIT #	List \$
MODEL SK135SRL							
DOZER LH	YX01V00006F1	LK01-01001-	P-UB-1	65 mm		KOB-YX01V00006R100	123.63
	YX01V00006F1	LK01-01001-	N-N-10		110 mm	KOB-YX01V00006R200	115.68
DOZER RH	YX01V00007F1	LK01-01001-	P-UB-10	65 mm	110 mm	KOB-YX01V00006R300	239.30
	YX01V00007F1	LK01-01001-	P-UB-1	65 mm		KOB-YX01V00006R100	123.63
	YX01V00007F1	LK01-01001-	N-N-10		110 mm	KOB-YX01V00006R200	115.68
	YX01V00008F1	LK01-01001-	P-UB-14	70 mm	105 mm	KOB-YX01V00008R300	200.66
OFFSET	YX01V00008F1	LK01-01001-	P-UB-1	70 mm		KOB-YX01V00008R100	69.26
	YX01V00008F1	LK01-01001-	N-N-14		105 mm	KOB-YX01V00008R200	131.37
MODEL SK135SRL-1E							
ARM	YY01V00003F1	LK03-01107-	P-UB-14	80 mm	115 mm	KOB-YY01V00003R300	311.14
	YY01V00003F1	LK03-01107-	P-UB-1	80 mm		KOB-YY01V00003R100	114.58
	YY01V00003F1	LK03-01107-	N-N-14		115 mm	KOB-YY01V00003R200	196.57
	YY01V00003F2	LK03-01107-	P-UB-14	80 mm	115 mm	KOB-YY01V00003R300	311.14
	YY01V00003F2	LK03-01107-	P-UB-1	80 mm		KOB-YY01V00003R100	114.58
	YY01V00003F2	LK03-01107-	N-N-14		115 mm	KOB-YY01V00003R200	196.57
ARM Offset Boom	YY01V00009F1	LK03-01107-	P-UB-14	80 mm	115 mm	KOB-YY01V00009R300	311.14
	YY01V00009F1	LK03-01107-	P-UB-1	80 mm		KOB-YY01V00009R100	114.58
	YY01V00009F1	LK03-01107-	N-N-14		115 mm	KOB-YY01V00009R200	196.57
ARM Telescopic	LP01V00010F1	LK03-01107-	P-UB-14	50 mm	70 mm	KOB-LP01V00004R300	335.99
	LP01V00010F1	LK03-01107-	P-UB-1	50 mm		KOB-LP01V00004R100	115.06
	LP01V00010F1	LK03-01107-	N-N-14		70 mm	KOB-LP01V00004R200	220.93
BOOM LH	YY01V00001F1	LK03-01107-	P-UB-14	70 mm	100 mm	KOB-YY01V00001R300	340.02
	YY01V00001F1	LK03-01107-	P-UB-1	70 mm		KOB-YY01V00001R100	103.26
	YY01V00001F1	LK03-01107-	N-N-14		100 mm	KOB-YY01V00001R200	236.79
BOOM RH	YY01V00002F1	LK03-01107-	P-UB-14	70 mm	100 mm	KOB-YY01V00001R300	340.02
	YY01V00002F1	LK03-01107-	P-UB-1	70 mm		KOB-YY01V00001R100	103.26
	YY01V00002F1	LK03-01107-	N-N-14		100 mm	KOB-YY01V00001R200	236.79
BUCKET	YX01V00005F1	LK03-01107-	P-UB-14	65 mm	95 mm	KOB-YX01V00005R300	133.06
	YX01V00005F1	LK03-01107-	P-UB-1	65 mm		KOB-YX01V00005R100	96.30
	YX01V00005F1	LK03-01107-	N-N-14		95 mm	KOB-YX01V00005R200	110.68
	YX01V00005F2	LK03-01107-	P-UB-14	65 mm	95 mm	KOB-YX01V00005R300	133.06
	YX01V00005F2	LK03-01107-	P-UB-1	65 mm		KOB-YX01V00005R100	96.30
	YX01V00005F2	LK03-01107-	N-N-14		95 mm	KOB-YX01V00005R200	110.68
	YX01V00005F3	LK03-01107-	P-UB-14	65 mm	95 mm	KOB-YX01V00005R300	133.06
	YX01V00005F3	LK03-01107-	P-UB-1	65 mm		KOB-YX01V00005R100	96.30
	YX01V00005F3	LK03-01107-	N-N-14		95 mm	KOB-YX01V00005R200	110.68
	YX01V00005F4	LK03-01107-	P-UB-14	65 mm	95 mm	KOB-YX01V00005R300	133.06
	YX01V00005F4	LK03-01107-	P-UB-1	65 mm		KOB-YX01V00005R100	96.30
	YX01V00005F4	LK03-01107-	N-N-14		95 mm	KOB-YX01V00005R200	110.68
	YX01V00005F5	LK03-01107-LK03-01109	P-UB-14	65 mm	95 mm	KOB-YX01V00005R300	133.06
	YX01V00005F5	LK03-01107-LK03-01109	P-UB-1	65 mm		KOB-YX01V00005R100	96.30
YX01V00005F5	LK03-01107-LK03-01109	N-N-14		95 mm	KOB-YX01V00005R200	110.68	
DOZER LH	YX01V00006F1	LK03-01107-	P-UB-10	65 mm	110 mm	KOB-YX01V00006R300	239.30
	YX01V00006F1	LK03-01107-	P-UB-1	65 mm		KOB-YX01V00006R100	123.63
	YX01V00006F1	LK03-01107-	N-N-10		110 mm	KOB-YX01V00006R200	115.68
DOZER RH	YX01V00007F1	LK03-01107-	P-UB-10	65 mm	110 mm	KOB-YX01V00006R300	239.30
	YX01V00007F1	LK03-01107-	P-UB-1	65 mm		KOB-YX01V00006R100	123.63
	YX01V00007F1	LK03-01107-	N-N-10		110 mm	KOB-YX01V00006R200	115.68
OFFSET	YX01V00008F1	LK03-01107-	P-UB-14	70 mm	105 mm	KOB-YX01V00008R300	200.66
	YX01V00008F1	LK03-01107-	P-UB-1	70 mm		KOB-YX01V00008R100	69.26
	YX01V00008F1	LK03-01107-	N-N-14		105 mm	KOB-YX01V00008R200	131.37
MODEL SK135SRLC							
ARM	YY01V00003F1	YH01-00101-	P-UB-14	80 mm	115 mm	KOB-YY01V00003R300	311.14
	YY01V00003F1	YH01-00101-	P-UB-1	80 mm		KOB-YY01V00003R100	114.58

KOBELCO

KOBELCO

Replacement Kits For

Excavators							
APPLICATION	CYL #	SERIAL #	CODE	ROD	BORE	KIT #	List \$
MODEL SK135SRLC							
ARM	YY01V00003F1	YH01-00101-	N-N-14		115 mm	KOB-YY01V00003R200	196.57
	YY01V00003F1	YH02-01301-	P-UB-14	80 mm	115 mm	KOB-YY01V00003R300	311.14
	YY01V00003F1	YH02-01301-	P-UB-1	80 mm		KOB-YY01V00003R100	114.58
	YY01V00003F1	YH02-01301-	N-N-14		115 mm	KOB-YY01V00003R200	196.57
	YY01V00003F2	YH01-00101-	P-UB-14	80 mm	115 mm	KOB-YY01V00003R300	311.14
	YY01V00003F2	YH01-00101-	P-UB-1	80 mm		KOB-YY01V00003R100	114.58
	YY01V00003F2	YH01-00101-	N-N-14		115 mm	KOB-YY01V00003R200	196.57
	YY01V00003F2	YH02-01301-	P-UB-14	80 mm	115 mm	KOB-YY01V00003R300	311.14
	YY01V00003F2	YH02-01301-	P-UB-1	80 mm		KOB-YY01V00003R100	114.58
	YY01V00003F2	YH02-01301-	N-N-14		115 mm	KOB-YY01V00003R200	196.57
	YY01V00009F1	YH02-01301-	P-UB-14	80 mm	115 mm	KOB-YY01V00009R300	311.14
	YY01V00009F1	YH02-01301-	P-UB-1	80 mm		KOB-YY01V00009R100	114.58
	YY01V00009F1	YH02-01301-	N-N-14		115 mm	KOB-YY01V00009R200	196.57
	ARM Telescopic	LP01V00010F1	YH02-01301-	P-UB-14	50 mm	70 mm	KOB-LP01V00004R300
LP01V00010F1		YH02-01301-	P-UB-1	50 mm		KOB-LP01V00004R100	115.06
LP01V00010F1		YH02-01301-	N-N-14		70 mm	KOB-LP01V00004R200	220.93
BOOM LH	YY01V00001F1	YH01-00101-	P-UB-14	70 mm	100 mm	KOB-YY01V00001R300	340.02
	YY01V00001F1	YH01-00101-	P-UB-1	70 mm		KOB-YY01V00001R100	103.26
	YY01V00001F1	YH01-00101-	N-N-14		100 mm	KOB-YY01V00001R200	236.79
	YY01V00001F1	YH02-01301-	P-UB-14	70 mm	100 mm	KOB-YY01V00001R300	340.02
	YY01V00001F1	YH02-01301-	P-UB-1	70 mm		KOB-YY01V00001R100	103.26
	YY01V00001F1	YH02-01301-	N-N-14		100 mm	KOB-YY01V00001R200	236.79
BOOM RH	YY01V00002F1	YH01-00101-	P-UB-14	70 mm	100 mm	KOB-YY01V00001R300	340.02
	YY01V00002F1	YH01-00101-	P-UB-1	70 mm		KOB-YY01V00001R100	103.26
	YY01V00002F1	YH01-00101-	N-N-14		100 mm	KOB-YY01V00001R200	236.79
	YY01V00002F1	YH02-01301-	P-UB-14	70 mm	100 mm	KOB-YY01V00001R300	340.02
	YY01V00002F1	YH02-01301-	P-UB-1	70 mm		KOB-YY01V00001R100	103.26
	YY01V00002F1	YH02-01301-	N-N-14		100 mm	KOB-YY01V00001R200	236.79
BUCKET	YX01V00005F1	YH01-00101-	P-UB-14	65 mm	95 mm	KOB-YX01V00005R300	133.06
	YX01V00005F1	YH01-00101-	P-UB-1	65 mm		KOB-YX01V00005R100	96.30
	YX01V00005F1	YH01-00101-	N-N-14		95 mm	KOB-YX01V00005R200	110.68
	YX01V00005F1	YH02-01301-	P-UB-14	65 mm	95 mm	KOB-YX01V00005R300	133.06
	YX01V00005F1	YH02-01301-	P-UB-1	65 mm		KOB-YX01V00005R100	96.30
	YX01V00005F1	YH02-01301-	N-N-14		95 mm	KOB-YX01V00005R200	110.68
	YX01V00005F2	YH01-00101-	P-UB-14	65 mm	95 mm	KOB-YX01V00005R300	133.06
	YX01V00005F2	YH01-00101-	P-UB-1	65 mm		KOB-YX01V00005R100	96.30
	YX01V00005F2	YH01-00101-	N-N-14		95 mm	KOB-YX01V00005R200	110.68
	YX01V00005F2	YH02-01301-	P-UB-14	65 mm	95 mm	KOB-YX01V00005R300	133.06
	YX01V00005F2	YH02-01301-	P-UB-1	65 mm		KOB-YX01V00005R100	96.30
	YX01V00005F2	YH02-01301-	N-N-14		95 mm	KOB-YX01V00005R200	110.68
	YX01V00005F3	YH01-00101-	P-UB-14	65 mm	95 mm	KOB-YX01V00005R300	133.06
	YX01V00005F3	YH01-00101-	P-UB-1	65 mm		KOB-YX01V00005R100	96.30
	YX01V00005F3	YH01-00101-	N-N-14		95 mm	KOB-YX01V00005R200	110.68
	YX01V00005F3	YH02-01301-	P-UB-14	65 mm	95 mm	KOB-YX01V00005R300	133.06
	YX01V00005F3	YH02-01301-	P-UB-1	65 mm		KOB-YX01V00005R100	96.30
	YX01V00005F3	YH02-01301-	N-N-14		95 mm	KOB-YX01V00005R200	110.68
	YX01V00005F4	YH02-01301-	P-UB-14	65 mm	95 mm	KOB-YX01V00005R300	133.06
	YX01V00005F4	YH02-01301-	P-UB-1	65 mm		KOB-YX01V00005R100	96.30
YX01V00005F4	YH02-01301-	N-N-14		95 mm	KOB-YX01V00005R200	110.68	
DOZER LH	YX01V00006F1	YH02-01301-	P-UB-10	65 mm	110 mm	KOB-YX01V00006R300	239.30
	YX01V00006F1	YH02-01301-	P-UB-1	65 mm		KOB-YX01V00006R100	123.63
	YX01V00006F1	YH02-01301-	N-N-10		110 mm	KOB-YX01V00006R200	115.68
	YX01V00006R1	YH01-00101-	P-UB-10	65 mm	110 mm	KOB-YX01V00006R300	239.30
	YX01V00006R1	YH01-00101-	P-UB-1	65 mm		KOB-YX01V00006R100	123.63
	YX01V00006R1	YH01-00101-	N-N-10		110 mm	KOB-YX01V00006R200	115.68

KOBELCO

KOBELCO

Excavators								
APPLICATION	CYL #	SERIAL #	CODE	ROD	BORE	KIT #	List \$	
MODEL SK135SRLC								
DOZER RH	YX01V00007F1	YH02-01301-	P-UB-10	65 mm	110 mm	KOB-YX01V00006R300	239.30	
	YX01V00007F1	YH02-01301-	P-UB-1	65 mm		KOB-YX01V00006R100	123.63	
	YX01V00007F1	YH02-01301-	N-N-10		110 mm	KOB-YX01V00006R200	115.68	
	YX01V00007R1	YH01-00101-	P-UB-10	65 mm	110 mm	KOB-YX01V00006R300	239.30	
	YX01V00007R1	YH01-00101-	P-UB-1	65 mm		KOB-YX01V00006R100	123.63	
	YX01V00007R1	YH01-00101-	N-N-10		110 mm	KOB-YX01V00006R200	115.68	
OFFSET	YX01V00008F1	YH01-00101-	P-UB-14	70 mm	105 mm	KOB-YX01V00008R300	200.66	
	YX01V00008F1	YH01-00101-	P-UB-1	70 mm		KOB-YX01V00008R100	69.26	
	YX01V00008F1	YH01-00101-	N-N-14		105 mm	KOB-YX01V00008R200	131.37	
	YX01V00008F1	YH02-01301-	P-UB-14	70 mm	105 mm	KOB-YX01V00008R300	200.66	
	YX01V00008F1	YH02-01301-	P-UB-1	70 mm		KOB-YX01V00008R100	69.26	
	YX01V00008F1	YH02-01301-	N-N-14		105 mm	KOB-YX01V00008R200	131.37	
MODEL SK135SRLC-1E								
ARM	YY01V00003F1	YH03-02097-	P-UB-14	80 mm	115 mm	KOB-YY01V00003R300	311.14	
	YY01V00003F1	YH03-02097-	P-UB-1	80 mm		KOB-YY01V00003R100	114.58	
	YY01V00003F1	YH03-02097-	N-N-14		115 mm	KOB-YY01V00003R200	196.57	
	YY01V00003F1	YH04-03001-	P-UB-14	80 mm	115 mm	KOB-YY01V00003R300	311.14	
	YY01V00003F1	YH04-03001-	P-UB-1	80 mm		KOB-YY01V00003R100	114.58	
	YY01V00003F1	YH04-03001-	N-N-14		115 mm	KOB-YY01V00003R200	196.57	
	YY01V00003F1	YY04-03001-	P-UB-14	80 mm	115 mm	KOB-YY01V00003R300	311.14	
	YY01V00003F1	YY04-03001-	P-UB-1	80 mm		KOB-YY01V00003R100	114.58	
	YY01V00003F1	YY04-03001-	N-N-14		115 mm	KOB-YY01V00003R200	196.57	
	YY01V00003F2	YH03-02097-	P-UB-14	80 mm	115 mm	KOB-YY01V00003R300	311.14	
	YY01V00003F2	YH03-02097-	P-UB-1	80 mm		KOB-YY01V00003R100	114.58	
	YY01V00003F2	YH03-02097-	N-N-14		115 mm	KOB-YY01V00003R200	196.57	
	YY01V00003F2	YH04-03001-	P-UB-14	80 mm	115 mm	KOB-YY01V00003R300	311.14	
	YY01V00003F2	YH04-03001-	P-UB-1	80 mm		KOB-YY01V00003R100	114.58	
	YY01V00003F2	YH04-03001-	N-N-14		115 mm	KOB-YY01V00003R200	196.57	
	YY01V00003F2	YY04-03001-	P-UB-14	80 mm	115 mm	KOB-YY01V00003R300	311.14	
	YY01V00003F2	YY04-03001-	P-UB-1	80 mm		KOB-YY01V00003R100	114.58	
	YY01V00003F2	YY04-03001-	N-N-14		115 mm	KOB-YY01V00003R200	196.57	
	YY01V00003F3	YH04-03001-	P-UB-14	80 mm	115 mm	KOB-YY01V00003R300	311.14	
	YY01V00003F3	YH04-03001-	P-UB-1	80 mm		KOB-YY01V00003R100	114.58	
	YY01V00003F3	YH04-03001-	N-N-14		115 mm	KOB-YY01V00003R200	196.57	
	YY01V00003F4	YH04-03001-	P-UB-14	80 mm	115 mm	KOB-YY01V00004R910	312.15	
	YY01V00003F4	YH04-03001-	P-UB-1	80 mm		KOB-YY01V00004R900	115.54	
	YY01V00003F4	YH04-03001-	N-N-14		115 mm	KOB-YY01V00003R200	196.57	
	YY01V00003F5	YH04-03001-	P-UB-14	80 mm	115 mm	KOB-YY01V00004R910	312.15	
	YY01V00003F5	YH04-03001-	P-UB-1	80 mm		KOB-YY01V00004R900	115.54	
	YY01V00003F5	YH04-03001-	N-N-14		115 mm	KOB-YY01V00003R200	196.57	
	YY01V00009F1	YH04-03001-	P-UB-14	80 mm	115 mm	KOB-YY01V00003R300	311.14	
	YY01V00009F1	YH04-03001-	P-UB-1	80 mm		KOB-YY01V00003R100	114.58	
	YY01V00009F1	YH04-03001-	N-N-14		115 mm	KOB-YY01V00003R200	196.57	
	YY01V00009F1	YY04-03001-	P-UB-14	80 mm	115 mm	KOB-YY01V00009R300	311.14	
	YY01V00009F1	YY04-03001-	P-UB-1	80 mm		KOB-YY01V00009R100	114.58	
	YY01V00009F1	YY04-03001-	N-N-14		115 mm	KOB-YY01V00009R200	196.57	
	YY01V00009F2	YH04-03001-	P-UB-14	80 mm	115 mm	KOB-YY01V00004R910	312.15	
	YY01V00009F2	YH04-03001-	P-UB-1	80 mm		KOB-YY01V00004R900	115.54	
	YY01V00009F2	YH04-03001-	N-N-14		115 mm	KOB-YY01V00003R200	196.57	
	ARM Offset Boom	YY01V00009F1	YH03-02097-	P-UB-14	80 mm	115 mm	KOB-YY01V00009R300	311.14
		YY01V00009F1	YH03-02097-	P-UB-1	80 mm		KOB-YY01V00009R100	114.58
		YY01V00009F1	YH03-02097-	N-N-14		115 mm	KOB-YY01V00009R200	196.57
	ARM Telescopic	LP01V00010F1	YH03-02097-	P-UB-14	50 mm	70 mm	KOB-LP01V00004R300	335.99
		LP01V00010F1	YH03-02097-	P-UB-1	50 mm		KOB-LP01V00004R100	115.06

KOBELCO

Replacement Kits For

KOBELCO

Excavators								
APPLICATION	CYL #	SERIAL #	CODE	ROD	BORE	KIT #	List \$	
MODEL	SK135SRLC-1E							
ARM Telescopic	LP01V00010F1	YH03-02097-	N-N-14		70 mm	KOB-LP01V00004R200	220.93	
BOOM LH	YY01V00001F1	YH03-02097-	P-UB-14	70 mm	100 mm	KOB-YY01V00001R300	340.02	
	YY01V00001F1	YH03-02097-	P-UB-1	70 mm		KOB-YY01V00001R100	103.26	
	YY01V00001F1	YH03-02097-	N-N-14		100 mm	KOB-YY01V00001R200	236.79	
	YY01V00001F1	YH04-03001-	P-UB-14	70 mm	100 mm	KOB-YY01V00001R300	340.02	
	YY01V00001F1	YH04-03001-	P-UB-1	70 mm		KOB-YY01V00001R100	103.26	
	YY01V00001F1	YH04-03001-	N-N-14		100 mm	KOB-YY01V00001R200	236.79	
	YY01V00001F1	YY04-03001-	P-UB-14	70 mm	100 mm	KOB-YY01V00001R300	340.02	
	YY01V00001F1	YY04-03001-	P-UB-1	70 mm		KOB-YY01V00001R100	103.26	
	YY01V00001F1	YY04-03001-	N-N-14		100 mm	KOB-YY01V00001R200	236.79	
	YY01V00001F2	YH04-03001-	P-UB-14	70 mm	100 mm	KOB-YY01V00045R700	371.60	
	YY01V00001F2	YH04-03001-	P-UB-1	70 mm		KOB-YY01V00045R600	134.83	
	YY01V00001F2	YH04-03001-	N-N-14		100 mm	KOB-YY01V00001R200	236.79	
	BOOM RH	YY01V00002F1	YH03-02097-	P-UB-14	70 mm	100 mm	KOB-YY01V00001R300	340.02
		YY01V00002F1	YH03-02097-	P-UB-1	70 mm		KOB-YY01V00001R100	103.26
YY01V00002F1		YH03-02097-	N-N-14		100 mm	KOB-YY01V00001R200	236.79	
YY01V00002F1		YH04-03001-	P-UB-14	70 mm	100 mm	KOB-YY01V00001R300	340.02	
YY01V00002F1		YH04-03001-	P-UB-1	70 mm		KOB-YY01V00001R100	103.26	
YY01V00002F1		YH04-03001-	N-N-14		100 mm	KOB-YY01V00001R200	236.79	
YY01V00002F1		YY04-03001-	P-UB-14	70 mm	100 mm	KOB-YY01V00001R300	340.02	
YY01V00002F1		YY04-03001-	P-UB-1	70 mm		KOB-YY01V00001R100	103.26	
YY01V00002F1		YY04-03001-	N-N-14		100 mm	KOB-YY01V00001R200	236.79	
YY01V00002F2		YH04-03001-	P-UB-14	70 mm	100 mm	KOB-YY01V00045R700	371.60	
YY01V00002F2		YH04-03001-	P-UB-1	70 mm		KOB-YY01V00045R600	134.83	
YY01V00002F2		YH04-03001-	N-N-14		100 mm	KOB-YY01V00001R200	236.79	
BUCKET		YX01V00005F1	YH03-02097-	P-UB-14	65 mm	95 mm	KOB-YX01V00005R300	133.06
		YX01V00005F1	YH03-02097-	P-UB-1	65 mm		KOB-YX01V00005R100	96.30
	YX01V00005F1	YH03-02097-	N-N-14		95 mm	KOB-YX01V00005R200	110.68	
	YX01V00005F1	YH04-03001-	P-UB-14	65 mm	95 mm	KOB-YX01V00005R300	133.06	
	YX01V00005F1	YH04-03001-	P-UB-1	65 mm		KOB-YX01V00005R100	96.30	
	YX01V00005F1	YH04-03001-	N-N-14		95 mm	KOB-YX01V00005R200	110.68	
	YX01V00005F1	YY04-03001-	P-UB-14	65 mm	95 mm	KOB-YX01V00005R300	133.06	
	YX01V00005F1	YY04-03001-	P-UB-1	65 mm		KOB-YX01V00005R100	96.30	
	YX01V00005F1	YY04-03001-	N-N-14		95 mm	KOB-YX01V00005R200	110.68	
	YX01V00005F2	YH03-02097-	P-UB-14	65 mm	95 mm	KOB-YX01V00005R300	133.06	
	YX01V00005F2	YH03-02097-	P-UB-1	65 mm		KOB-YX01V00005R100	96.30	
	YX01V00005F2	YH03-02097-	N-N-14		95 mm	KOB-YX01V00005R200	110.68	
	YX01V00005F2	YH04-03001-	P-UB-14	65 mm	95 mm	KOB-YX01V00005R300	133.06	
	YX01V00005F2	YH04-03001-	P-UB-1	65 mm		KOB-YX01V00005R100	96.30	
	YX01V00005F2	YH04-03001-	N-N-14		95 mm	KOB-YX01V00005R200	110.68	
	YX01V00005F2	YY04-03001-	P-UB-14	65 mm	95 mm	KOB-YX01V00005R300	133.06	
	YX01V00005F2	YY04-03001-	P-UB-1	65 mm		KOB-YX01V00005R100	96.30	
	YX01V00005F2	YY04-03001-	N-N-14		95 mm	KOB-YX01V00005R200	110.68	
	YX01V00005F3	YH03-02097-	P-UB-14	65 mm	95 mm	KOB-YX01V00005R300	133.06	
	YX01V00005F3	YH03-02097-	P-UB-1	65 mm		KOB-YX01V00005R100	96.30	
	YX01V00005F3	YH03-02097-	N-N-14		95 mm	KOB-YX01V00005R200	110.68	
	YX01V00005F3	YH04-03001-	P-UB-14	65 mm	95 mm	KOB-YX01V00005R300	133.06	
	YX01V00005F3	YH04-03001-	P-UB-1	65 mm		KOB-YX01V00005R100	96.30	
	YX01V00005F3	YH04-03001-	N-N-14		95 mm	KOB-YX01V00005R200	110.68	
	YX01V00005F3	YY04-03001-	P-UB-14	65 mm	95 mm	KOB-YX01V00005R300	133.06	
	YX01V00005F3	YY04-03001-	P-UB-1	65 mm		KOB-YX01V00005R100	96.30	
	YX01V00005F3	YY04-03001-	N-N-14		95 mm	KOB-YX01V00005R200	110.68	
	YX01V00005F4	YH03-02097-	P-UB-14	65 mm	95 mm	KOB-YX01V00005R300	133.06	
	YX01V00005F4	YH03-02097-	P-UB-1	65 mm		KOB-YX01V00005R100	96.30	
	YX01V00005F4	YH03-02097-	N-N-14		95 mm	KOB-YX01V00005R200	110.68	

KOBELCO

Excavators								
APPLICATION	CYL #	SERIAL #	CODE	ROD	BORE	KIT #	List \$	
MODEL	SK135SRLC-1E							
BUCKET	YX01V00005F4	YH04-03001-	P-UB-14	65 mm	95 mm	KOB-YX01V00005R300	133.06	
	YX01V00005F4	YH04-03001-	P-UB-1	65 mm		KOB-YX01V00005R100	96.30	
	YX01V00005F4	YH04-03001-	N-N-14		95 mm	KOB-YX01V00005R200	110.68	
	YX01V00005F4	YY04-03001-	P-UB-14	65 mm	95 mm	KOB-YX01V00005R300	133.06	
	YX01V00005F4	YY04-03001-	P-UB-1	65 mm		KOB-YX01V00005R100	96.30	
	YX01V00005F4	YY04-03001-	N-N-14		95 mm	KOB-YX01V00005R200	110.68	
	YX01V00005F5	YH03-02097-YH03-02716	P-UB-14	65 mm	95 mm	KOB-YX01V00005R300	133.06	
	YX01V00005F5	YH03-02097-YH03-02716	P-UB-1	65 mm		KOB-YX01V00005R100	96.30	
	YX01V00005F5	YH03-02097-YH03-02716	N-N-14		95 mm	KOB-YX01V00005R200	110.68	
	YX01V00005F5	YH04-03001-	P-UB-14	65 mm	95 mm	KOB-YX01V00005R300	133.06	
	YX01V00005F5	YH04-03001-	P-UB-1	65 mm		KOB-YX01V00005R100	96.30	
	YX01V00005F5	YH04-03001-	N-N-14		95 mm	KOB-YX01V00005R200	110.68	
	YX01V00005F5	YY04-03001-	P-UB-14	65 mm	95 mm	KOB-YX01V00005R300	133.06	
	YX01V00005F5	YY04-03001-	P-UB-1	65 mm		KOB-YX01V00005R100	96.30	
	YX01V00005F5	YY04-03001-	N-N-14		95 mm	KOB-YX01V00005R200	110.68	
	YX01V00005F6	YH04-03001-	P-UB-14	65 mm	95 mm	KOB-YY01V00005R700	143.61	
	YX01V00005F6	YH04-03001-	P-UB-1	65 mm		KOB-YY01V00005R600	112.70	
	YX01V00005F6	YH04-03001-	N-N-14		95 mm	KOB-YX01V00005R200	110.68	
	YX01V00005F7	YH04-03001-	P-UB-14	65 mm	95 mm	KOB-YY01V00005R700	143.61	
	YX01V00005F7	YH04-03001-	P-UB-1	65 mm		KOB-YY01V00005R600	112.70	
	YX01V00005F7	YH04-03001-	N-N-14		95 mm	KOB-YX01V00005R200	110.68	
	YX01V00005F8	YH04-03001-	P-UB-14	65 mm	95 mm	KOB-YY01V00005R700	143.61	
	YX01V00005F8	YH04-03001-	P-UB-1	65 mm		KOB-YY01V00005R600	112.70	
	YX01V00005F8	YH04-03001-	N-N-14		95 mm	KOB-YX01V00005R200	110.68	
	DOZER LH	YX01V00006F1	YH03-02097-	P-UB-10	65 mm	110 mm	KOB-YX01V00006R300	239.30
		YX01V00006F1	YH03-02097-	P-UB-1	65 mm		KOB-YX01V00006R100	123.63
		YX01V00006F1	YH03-02097-	N-N-10		110 mm	KOB-YX01V00006R200	115.68
		YX01V00006F1	YH04-03001-	P-UB-10	65 mm	110 mm	KOB-YX01V00006R300	239.30
		YX01V00006F1	YH04-03001-	P-UB-1	65 mm		KOB-YX01V00006R100	123.63
		YX01V00006F1	YH04-03001-	N-N-10		110 mm	KOB-YX01V00006R200	115.68
YX01V00006F1		YY04-03001-	P-UB-10	65 mm	110 mm	KOB-YX01V00006R300	239.30	
YX01V00006F1		YY04-03001-	P-UB-1	65 mm		KOB-YX01V00006R100	123.63	
DOZER RH	YX01V00007F1	YH03-02097-	P-UB-10	65 mm	110 mm	KOB-YX01V00006R300	239.30	
	YX01V00007F1	YH03-02097-	P-UB-1	65 mm		KOB-YX01V00006R100	123.63	
	YX01V00007F1	YH03-02097-	N-N-10		110 mm	KOB-YX01V00006R200	115.68	
	YX01V00007F1	YH04-03001-	P-UB-10	65 mm	110 mm	KOB-YX01V00006R300	239.30	
	YX01V00007F1	YH04-03001-	P-UB-1	65 mm		KOB-YX01V00006R100	123.63	
	YX01V00007F1	YH04-03001-	N-N-10		110 mm	KOB-YX01V00006R200	115.68	
	YX01V00007F1	YY04-03001-	P-UB-10	65 mm	110 mm	KOB-YX01V00006R300	239.30	
	YX01V00007F1	YY04-03001-	P-UB-1	65 mm		KOB-YX01V00006R100	123.63	
OFFSET	YX01V00008F1	YH03-02097-	P-UB-14	70 mm	105 mm	KOB-YX01V00008R300	200.66	
	YX01V00008F1	YH03-02097-	P-UB-1	70 mm		KOB-YX01V00008R100	69.26	
	YX01V00008F1	YH03-02097-	N-N-14		105 mm	KOB-YX01V00008R200	131.37	
	YX01V00008F1	YH04-03001-	P-UB-14	70 mm	105 mm	KOB-YX01V00008R300	200.66	
	YX01V00008F1	YH04-03001-	P-UB-1	70 mm		KOB-YX01V00008R100	69.26	
	YX01V00008F1	YH04-03001-	N-N-14		105 mm	KOB-YX01V00008R200	131.37	
	YX01V00008F1	YY04-03001-	P-UB-14	70 mm	105 mm	KOB-YX01V00008R300	200.66	
	YX01V00008F1	YY04-03001-	P-UB-1	70 mm		KOB-YX01V00008R100	69.26	
	YX01V00008F1	YY04-03001-	N-N-14		105 mm	KOB-YX01V00008R200	131.37	
	YX01V00008F2	YH04-03001-	P-UB-14	70 mm	105 mm	KOB-YX01V00008R700	266.23	
	YX01V00008F2	YH04-03001-	P-UB-1	70 mm		KOB-YY01V00004R600	134.83	
	YX01V00008F2	YH04-03001-	N-N-14		105 mm	KOB-YX01V00008R200	131.37	

Replacement Kits For

KOBELCO

Excavators							
APPLICATION	CYL #	SERIAL #	CODE	ROD	BORE	KIT #	List \$
MODEL SK150, SK150LC							
ARM	2438U1948F1	YMU1001-	P-UB-10	90 mm	130 mm	KOB-2438U1948R500	561.01
	2438U1948F1	YMU1001-	P-UB-1	90 mm		KOB-2438U1948R400	202.02
	2438U1948F1	YMU1001-	N-N-10		130 mm	KOB-2438U1948R200	359.00
BOOM LH	2438U1947F1	YMU1001-	P-UB-10	80 mm	120 mm	KOB-2438U1946R300	387.70
	2438U1947F1	YMU1001-	P-UB-1	80 mm		KOB-2438U1105R400	148.80
	2438U1947F1	YMU1001-	N-N-10		120 mm	KOB-2438U1946R200	260.91
BOOM RH	2438U1946F1	YMU1001-	P-UB-10	80 mm	120 mm	KOB-2438U1946R300	387.70
	2438U1946F1	YMU1001-	P-UB-1	80 mm		KOB-2438U1105R400	148.80
	2438U1946F1	YMU1001-	N-N-10		120 mm	KOB-2438U1946R200	260.91
BUCKET	2438U1949F1	YMU1001-	P-UB-10	75 mm	110 mm	KOB-2438U1949R500	409.24
	2438U1949F1	YMU1001-	P-UB-1	75 mm		KOB-2438U1949R400	144.59
	2438U1949F1	YMU1001-	N-N-10		110 mm	KOB-2438U1949R200	321.67
MODEL SK150LC III							
ARM	2438U1948F1	YM000101-	P-UB-10	90 mm	130 mm	KOB-2438U1948R500	561.01
	2438U1948F1	YM000101-	P-UB-1	90 mm		KOB-2438U1948R400	202.02
	2438U1948F1	YM000101-	N-N-10		130 mm	KOB-2438U1948R200	359.00
BOOM LH	2438U1947F1	YM000101-	P-UB-10	80 mm	120 mm	KOB-2438U1946R300	387.70
	2438U1947F1	YM000101-	P-UB-1	80 mm		KOB-2438U1105R400	148.80
	2438U1947F1	YM000101-	N-N-10		120 mm	KOB-2438U1946R200	260.91
BOOM RH	2438U1946F1	YM000101-	P-UB-10	80 mm	120 mm	KOB-2438U1946R300	387.70
	2438U1946F1	YM000101-	P-UB-1	80 mm		KOB-2438U1105R400	148.80
	2438U1946F1	YM000101-	N-N-10		120 mm	KOB-2438U1946R200	260.91
BUCKET	2438U1949F1	YM000101-	P-UB-10	75 mm	110 mm	KOB-2438U1949R300	291.09
	2438U1949F1	YM000101-	P-UB-10	75 mm	110 mm	KOB-2438U1949R500	409.24
	2438U1949F1	YM000101-	P-UB-1	75 mm		KOB-2438U1949R400	144.59
	2438U1949F1	YM000101-	N-N-10		110 mm	KOB-2438U1949R200	321.67
MODEL SK150LC IV							
ARM	2438U1948F1	YMU1001-YMU1500	P-UB-10	90 mm	130 mm	KOB-2438U1948R300	561.01
	2438U1948F1	YMU1001-YMU1500	P-UB-1	90 mm		KOB-2438U1948R100	202.02
	2438U1948F1	YMU1001-YMU1500	N-N-10		130 mm	KOB-2438U1948R200	359.00
	2438U1948F1	YMU1501-	P-UB-10	90 mm	130 mm	KOB-2438U1948R300	561.01
	2438U1948F1	YMU1501-	P-UB-1	90 mm		KOB-2438U1948R100	202.02
	2438U1948F1	YMU1501-	N-N-10		130 mm	KOB-2438U1948R200	359.00
BOOM LH	2438U1947F1	YMU1001-YMU1500	P-UB-10	80 mm	120 mm	KOB-2438U1946R300	387.70
	2438U1947F1	YMU1001-YMU1500	P-UB-1	80 mm		KOB-2438U1105R400	148.80
	2438U1947F1	YMU1001-YMU1500	N-N-10		120 mm	KOB-2438U1946R200	260.91
	2438U1947F1	YMU1501-	P-UB-10	80 mm	120 mm	KOB-2438U1946R300	387.70
	2438U1947F1	YMU1501-	P-UB-1	80 mm		KOB-2438U1105R400	148.80
	2438U1947F1	YMU1501-	N-N-10		120 mm	KOB-2438U1946R200	260.91
BOOM RH	2438U1946F1	YMU1001-YMU1500	P-UB-10	80 mm	120 mm	KOB-2438U1946R300	387.70
	2438U1946F1	YMU1001-YMU1500	P-UB-1	80 mm		KOB-2438U1105R400	148.80
	2438U1946F1	YMU1001-YMU1500	N-N-10		120 mm	KOB-2438U1946R200	260.91
	2438U1967F1	YMU1501-	P-UB-10	80 mm	120 mm	KOB-2438U1946R300	387.70
	2438U1967F1	YMU1501-	P-UB-1	80 mm		KOB-2438U1105R400	148.80
	2438U1967F1	YMU1501-	N-N-10		120 mm	KOB-2438U1946R200	260.91
BUCKET	2438U1949F1	YMU1001-YMU1500	P-UB-10	75 mm	110 mm	KOB-2438U1949R300	291.09
	2438U1949F1	YMU1001-YMU1500	P-UB-1	75 mm		KOB-2438U1949R400	144.59
	2438U1949F1	YMU1001-YMU1500	N-N-10		110 mm	KOB-2438U1949R200	321.67
	2438U1949F1	YMU1501-	P-UB-10	75 mm	110 mm	KOB-2438U1949R300	291.09
	2438U1949F1	YMU1501-	P-UB-1	75 mm		KOB-2438U1949R400	144.59
	2438U1949F1	YMU1501-	N-N-10		110 mm	KOB-2438U1949R200	321.67
MODEL SK160LC							
ARM	YM01V00008F1	YM02U0101-	P-UB-10	90 mm	125 mm	KOB-YM01V00008R300	407.13
	YM01V00008F1	YM02U0101-	P-UB-1	90 mm		KOB-YM01V00008R100	127.82
	YM01V00008F1	YM02U0101-	N-N-10		125 mm	KOB-YM01V00008R200	224.27

FORMERLY LISTED REPAIR PARTS ARE AVAILABLE ONLINE AT WWW.HERCULESCA.CA
OR BY CONTACTING YOUR REGIONAL HERCULES SALES TEAM.

KOBELCO

Excavators							
APPLICATION	CYL #	SERIAL #	CODE	ROD	BORE	KIT #	List \$
MODEL SK160LC							
BOOM LH	YM01V00007F1	YM02U0101-	P-UB-10	80 mm	110 mm	KOB-YM01V00006R300	307.92
	YM01V00007F1	YM02U0101-	P-UB-1	80 mm		KOB-YM01V00006R100	134.12
	YM01V00007F1	YM02U0101-	N-N-10		110 mm	KOB-YM01V00006R200	173.79
BOOM RH	YM01V00006F1	YM02U0101-	P-UB-10	80 mm	110 mm	KOB-YM01V00006R300	307.92
	YM01V00006F1	YM02U0101-	P-UB-1	80 mm		KOB-YM01V00006R100	134.12
	YM01V00006F1	YM02U0101-	N-N-10		110 mm	KOB-YM01V00006R200	173.79
BUCKET	YM01V00009F1	YM02U0101-	P-UB-10	75 mm	105 mm	KOB-YM01V00009R300	361.05
	YM01V00009F1	YM02U0101-	P-UB-1	75 mm		KOB-YM01V00009R100	120.66
	YM01V00009F1	YM02U0101-	N-N-10		105 mm	KOB-YM01V00009R200	240.40
MODEL SK160LC IV							
ARM	2438U1948F1	YM02U10101-	P-UB-10	90 mm	130 mm	KOB-2438U1948R300	561.01
	2438U1948F1	YM02U10101-	P-UB-1	90 mm		KOB-2438U1948R100	202.02
	2438U1948F1	YM02U10101-	N-N-10		130 mm	KOB-2438U1948R200	359.00
BOOM LH	2438U1947F1	YM02U10101-	P-UB-10	80 mm	120 mm	KOB-2438U1946R300	387.70
	2438U1947F1	YM02U10101-	P-UB-1	80 mm		KOB-2438U1105R400	148.80
	2438U1947F1	YM02U10101-	N-N-10		120 mm	KOB-2438U1946R200	260.91
BOOM RH	2438U1946F1	YM02U10101-	P-UB-10	80 mm	120 mm	KOB-2438U1946R300	387.70
	2438U1946F1	YM02U10101-	P-UB-1	80 mm		KOB-2438U1105R400	148.80
	2438U1946F1	YM02U10101-	N-N-10		120 mm	KOB-2438U1946R200	260.91
BUCKET	2438U1949F1	YM02U10101-	P-UB-10	75 mm	110 mm	KOB-2438U1949R300	291.09
	2438U1949F1	YM02U10101-	P-UB-1	75 mm		KOB-2438U1949R400	144.59
	2438U1949F1	YM02U10101-	N-N-10		110 mm	KOB-2438U1949R200	321.67
MODEL SK160LC-6E							
ARM	YM01V00008F3	YM03U0523-	P-UB-10	90 mm	125 mm	KOB-YM01V00008R300	407.13
	YM01V00008F3	YM03U0523-	P-UB-1	90 mm		KOB-YM01V00008R100	127.82
	YM01V00008F3	YM03U0523-	N-N-10		125 mm	KOB-YM01V00008R200	224.27
BOOM LH	YM01V00007F3	YM03U0523-	P-UB-10	80 mm	110 mm	KOB-YM01V00006R300	307.92
	YM01V00007F3	YM03U0523-	P-UB-1	80 mm		KOB-YM01V00006R100	134.12
	YM01V00007F3	YM03U0523-	N-N-10		110 mm	KOB-YM01V00006R200	173.79
BOOM RH	YM01V00006F3	YM03U0523-	P-UB-10	80 mm	110 mm	KOB-YM01V00006R300	307.92
	YM01V00006F3	YM03U0523-	P-UB-1	80 mm		KOB-YM01V00006R100	134.12
	YM01V00006F3	YM03U0523-	N-N-10		110 mm	KOB-YM01V00006R200	173.79
BUCKET	YM01V00009F4	YM03U0523-	P-UB-10	75 mm	105 mm	KOB-YM01V00009R300	361.05
	YM01V00009F4	YM03U0523-	P-UB-1	75 mm		KOB-YM01V00009R100	120.66
	YM01V00009F4	YM03U0523-	N-N-10		105 mm	KOB-YM01V00009R200	240.40
MODEL SK200							
ARM	2438U1104F1	YNU0001-	P-UB-10	100 mm	145 mm	KOB-2438U1104R500	594.43
	2438U1104F1	YNU0001-	P-UB-1	100 mm		KOB-2438U1104R400	183.38
	2438U1104F1	YNU0001-	N-N-10		145 mm	KOB-2438U1104R200	411.05
	2438U1108F1	YNU0001-	P-UB-14	100 mm	145 mm	KOB-2438U1108R300	515.09
	2438U1108F1	YNU0001-	P-UB-1	100 mm		KOB-2438U1108R100	227.22
	2438U1108F1	YNU0001-	N-N-14		145 mm	KOB-2438U1108R200	261.12
BOOM LH	2438U1103F1	YNU0001-	P-UB-10	85 mm	125 mm	KOB-2438U1102R500	435.89
	2438U1103F1	YNU0001-	P-UB-1	85 mm		KOB-2438U1102R600	157.94
	2438U1103F1	YNU0001-	N-N-10		125 mm	KOB-2438U1102R200	277.97
	2438U1107F1	YNU0001-	P-UB-10	85 mm	125 mm	KOB-2438U1106R300	562.95
	2438U1107F1	YNU0001-	P-UB-1	85 mm		KOB-2438U1106R100	208.29
	2438U1107F1	YNU0001-	N-N-10		125 mm	KOB-2438U1106R200	354.63
BOOM RH	2438U1102F1	YNU0001-	P-UB-10	85 mm	125 mm	KOB-2438U1102R500	435.89
	2438U1102F1	YNU0001-	P-UB-1	85 mm		KOB-2438U1102R600	157.94
	2438U1102F1	YNU0001-	N-N-10		125 mm	KOB-2438U1102R200	277.97
	2438U1106F1	YNU0001-	P-UB-10	85 mm	125 mm	KOB-2438U1106R300	562.95
	2438U1106F1	YNU0001-	P-UB-1	85 mm		KOB-2438U1106R100	208.29
	2438U1106F1	YNU0001-	N-N-10		125 mm	KOB-2438U1106R200	354.63
BUCKET	2438U1105F1	YNU0001-	P-UB-10	80 mm	120 mm	KOB-2438U1105R500	322.18

Replacement Kits For

KOBELCO

Excavators								
APPLICATION	CYL #	SERIAL #	CODE	ROD	BORE	KIT #	List \$	
MODEL SK200								
BUCKET	2438U1105F1	YNU0001-	P-UB-1	80 mm		KOB-2438U1105R400	148.80	
	2438U1105F1	YNU0001-	N-N-10		120 mm	KOB-2438U1105R200	195.48	
	2438U1109F1	YNU0001-	P-UB-10	80 mm	120 mm	KOB-2438U1109R300	413.08	
	2438U1109F1	YNU0001-	P-UB-1	80 mm		KOB-2438U1109R200	203.54	
	2438U1109F1	YNU0001-	N-N-10		120 mm	KOB-2438U1109R100	211.37	
MODEL SK200 III								
ARM	2438U1104F1		P-UB-10	100 mm	145 mm	KOB-2438U1104R300	544.53	
	2438U1104F1		P-UB-1	100 mm		KOB-2438U1104R400	183.38	
	2438U1104F1		N-N-10		145 mm	KOB-2438U1104R200	411.05	
	2438U1104F1		Bushing	100 mm		KOB-2438U1104S4	62.28	
	2438U1108F1		P-UB-14	100 mm	145 mm	KOB-2438U1108R300	515.09	
	2438U1108F1		P-UB-1	100 mm		KOB-2438U1108R100	227.22	
	2438U1108F1		N-N-14		145 mm	KOB-2438U1108R200	261.12	
	2438U1129F1		P-UB-10	120 mm	180 mm	KOB-2438U1129R300	588.23	
	2438U1129F1		P-UB-1	120 mm		KOB-2438U1129R100	213.90	
BOOM LH	2438U1129F1		N-N-10		180 mm	KOB-2445R174R200	374.31	
	2438U1103F1		P-UB-10	85 mm	125 mm	KOB-2438U1102R300	435.89	
	2438U1103F1		P-UB-1	85 mm		KOB-2438U1102R600	157.94	
	2438U1103F1		N-N-10		125 mm	KOB-2438U1102R200	277.97	
	2438U1107F1		P-UB-10	85 mm	125 mm	KOB-2438U1106R300	562.95	
	2438U1107F1		P-UB-1	85 mm		KOB-2438U1106R100	208.29	
	2438U1107F1		N-N-10		125 mm	KOB-2438U1106R200	354.63	
	BOOM RH	2438U1102F1		P-UB-10	85 mm	125 mm	KOB-2438U1102R300	435.89
		2438U1102F1		P-UB-1	85 mm		KOB-2438U1102R600	157.94
2438U1102F1			N-N-10		125 mm	KOB-2438U1102R200	277.97	
2438U1106F1			P-UB-10	85 mm	125 mm	KOB-2438U1106R300	562.95	
2438U1106F1			P-UB-1	85 mm		KOB-2438U1106R100	208.29	
BUCKET	2438U1106F1		N-N-10		125 mm	KOB-2438U1106R200	354.63	
	2438U1097F1		P-UB-10	65 mm	95 mm	KOB-2438U1097R300	423.19	
	2438U1097F1		P-UB-1	65 mm		KOB-2438U1097R100	166.04	
	2438U1097F1		N-N-10		95 mm	KOB-2438U1097R200	257.16	
	2438U1097F2		P-UB-10	65 mm	95 mm	KOB-2438U1097R300	423.19	
	2438U1097F2		P-UB-1	65 mm		KOB-2438U1097R100	166.04	
	2438U1097F2		N-N-10		95 mm	KOB-2438U1097R200	257.16	
	2438U1105F1		P-UB-1	80 mm		KOB-2438U1105R400	148.80	
	2438U1105F1		N-N-10		120 mm	KOB-2438U1105R200	195.48	
TELESCOPIC	2438U1109F1		P-UB-10	80 mm	120 mm	KOB-2438U1109R300	413.08	
	2438U1109F1		N-N-10		120 mm	KOB-2438U1109R100	211.37	
	2438U1109F1		P-UB-1	80 mm		KOB-2438U1109R200	203.54	
	2438U1130F1		P-UB-1	60 mm		KOB-2438U705R100	119.02	
	2438U1130F2		P-UB-1	60 mm		KOB-2438U705R100	119.02	
MODEL SK200 IV								
ARM	2438U1104F1	YNU0201-YNU0500	P-UB-10	100 mm	145 mm	KOB-2438U1104R300	544.53	
	2438U1104F1	YNU0201-YNU0500	P-UB-1	100 mm		KOB-2438U1104R400	183.38	
	2438U1104F1	YNU0201-YNU0500	N-N-10		145 mm	KOB-2438U1104R200	411.05	
	2438U1104F1	YNU0201-YNU0500	Bushing	100 mm		KOB-2438U1104S4	62.28	
	2438U1104F1	YNU0501-	P-UB-10	100 mm	145 mm	KOB-2438U1104R500	594.43	
	2438U1104F1	YNU0501-	P-UB-1	100 mm		KOB-2438U1104R400	183.38	
	2438U1104F1	YNU0501-	N-N-10		145 mm	KOB-2438U1104R200	411.05	
	2438U1104F1	YNU0501-	Bushing	100 mm		KOB-2438U1104S4	62.28	
	BOOM LH	2438U1103F1	YNU0201-YNU0500	P-UB-10	85 mm	125 mm	KOB-2438U1102R300	435.89
2438U1103F1		YNU0201-YNU0500	P-UB-1	85 mm		KOB-2438U1102R600	157.94	
2438U1103F1		YNU0201-YNU0500	N-N-10		125 mm	KOB-2438U1102R200	277.97	
2438U1103F1		YNU0501-	P-UB-10	85 mm	125 mm	KOB-2438U1102R500	435.89	
2438U1103F1		YNU0501-	P-UB-1	85 mm		KOB-2438U1102R600	157.94	

FORMERLY LISTED REPAIR PARTS ARE AVAILABLE ONLINE AT WWW.HERCULESCA.CA
OR BY CONTACTING YOUR REGIONAL HERCULES SALES TEAM.

Replacement Kits For

KOBELCO

Excavators							
APPLICATION	CYL #	SERIAL #	CODE	ROD	BORE	KIT #	List \$
MODEL SK200 IV							
BOOM LH	2438U1103F1	YNU0501-	N-N-10		125 mm	KOB-2438U1102R200	277.97
BOOM RH	2438U1102F1	YNU0201-YNU0500	P-UB-10	85 mm	125 mm	KOB-2438U1102R300	435.89
	2438U1102F1	YNU0201-YNU0500	P-UB-1	85 mm		KOB-2438U1102R600	157.94
	2438U1102F1	YNU0201-YNU0500	N-N-10		125 mm	KOB-2438U1102R200	277.97
	2438U1102F1	YNU0501-	P-UB-10	85 mm	125 mm	KOB-2438U1102R500	435.89
	2438U1102F1	YNU0501-	P-UB-1	85 mm		KOB-2438U1102R600	157.94
	2438U1102F1	YNU0501-	N-N-10		125 mm	KOB-2438U1102R200	277.97
BUCKET	2438U1097F2	YNU0501-	P-UB-1	65 mm		KOB-2438U1097R100	166.04
	2438U1097F2	YNU0501-	N-N-10		95 mm	KOB-2438U1097R200	257.16
	2438U1105F1	YNU0201-YNU0500	P-UB-1	80 mm		KOB-2438U1105R400	148.80
	2438U1105F1	YNU0201-YNU0500	N-N-10		120 mm	KOB-2438U1105R200	195.48
	2438U1105F1	YNU0501-	P-UB-10	80 mm	120 mm	KOB-2438U1105R500	322.18
	2438U1105F1	YNU0501-	P-UB-1	80 mm		KOB-2438U1105R400	148.80
	2438U1105F1	YNU0501-	N-N-10		120 mm	KOB-2438U1105R200	195.48
	MODEL SK200 V						
ARM	YN01V00003F1	YN018001-YN022848	P-UB-14	95 mm	135 mm	KOB-YN01V00003R300	401.83
	YN01V00003F1	YN018001-YN022848	P-UB-1	95 mm		KOB-YN01V00003R100	80.41
	YN01V00003F1	YN018001-YN022848	N-N-14		135 mm	KOB-YN01V00019R100	321.43
	YN01V00003F1	YQ02801-	P-UB-14	95 mm	135 mm	KOB-YN01V00003R300	401.83
	YN01V00003F1	YQ02801-	P-UB-1	95 mm		KOB-YN01V00003R100	80.41
	YN01V00003F1	YQ02801-	N-N-14		135 mm	KOB-YN01V00019R100	321.43
	YN01V00003F3	YN018001-YN022848	P-UB-14	95 mm	135 mm	KOB-YN01V00003R300	401.83
	YN01V00003F3	YN018001-YN022848	P-UB-1	95 mm		KOB-YN01V00003R100	80.41
	YN01V00003F3	YN018001-YN022848	N-N-14		135 mm	KOB-YN01V00019R100	321.43
	YN01V00003F3	YQ02801-	P-UB-14	95 mm	135 mm	KOB-YN01V00003R300	401.83
	YN01V00003F3	YQ02801-	P-UB-1	95 mm		KOB-YN01V00003R100	80.41
	YN01V00003F3	YQ02801-	N-N-14		135 mm	KOB-YN01V00019R100	321.43
	YN01V00003F3	YN018001-YN022848	P-UB-14	95 mm	135 mm	KOB-YN01V00003R300	401.83
	YN01V00003F3	YN018001-YN022848	P-UB-1	95 mm		KOB-YN01V00003R100	80.41
	YN01V00003F3	YN018001-YN022848	N-N-14		135 mm	KOB-YN01V00019R100	321.43
	YN01V00003F3	YQ02801-	P-UB-14	95 mm	135 mm	KOB-YN01V00003R300	401.83
	YN01V00003F3	YQ02801-	P-UB-1	95 mm		KOB-YN01V00003R100	80.41
	YN01V00003F3	YQ02801-	N-N-14		135 mm	KOB-YN01V00019R100	321.43
	YN01V00019F1	YNT00001-	P-UB-14	95 mm	135 mm	KOB-YN01V00019R200	401.83
	YN01V00019F1	YNT00001-	P-UB-1	95 mm		KOB-YN01V00003R100	80.41
	YN01V00019F1	YNT00001-	N-N-14		135 mm	KOB-YN01V00019R100	321.43
	YN01V00019F1	YQ02801-	P-UB-14	95 mm	135 mm	KOB-YN01V00019R200	401.83
	YN01V00019F1	YQ02801-	P-UB-1	95 mm		KOB-YN01V00003R100	80.41
	YN01V00019F1	YQ02801-	N-N-14		135 mm	KOB-YN01V00019R100	321.43
	YN01V00019F2	YNT00001-	P-UB-14	95 mm	135 mm	KOB-YN01V00019R200	401.83
	YN01V00019F2	YNT00001-	P-UB-1	95 mm		KOB-YN01V00003R100	80.41
	YN01V00019F2	YNT00001-	N-N-14		135 mm	KOB-YN01V00019R100	321.43
	YN01V00019F2	YQ02801-	P-UB-14	95 mm	135 mm	KOB-YN01V00019R200	401.83
YN01V00019F2	YQ02801-	P-UB-1	95 mm		KOB-YN01V00003R100	80.41	
YN01V00019F2	YQ02801-	N-N-14		135 mm	KOB-YN01V00019R100	321.43	
BOOM	YN01V0001F1	YNT00001-	P-UB-14	80 mm	120 mm	KOB-YN01V00001R300	251.50
	YN01V0001F1	YNT00001-	P-UB-1	80 mm		KOB-YN01V00001R100	119.71
	YN01V0001F1	YNT00001-	N-N-14		120 mm	KOB-YN01V00001R200	131.79
	YN01V0001F2	YNT00001-	P-UB-14	80 mm	120 mm	KOB-YN01V00001R300	251.50
	YN01V0001F2	YNT00001-	P-UB-1	80 mm		KOB-YN01V00001R100	119.71
	YN01V0001F2	YNT00001-	N-N-14		120 mm	KOB-YN01V00001R200	131.79
BOOM LH	YN01V00002F1	YN018001-YN022848	P-UB-14	80 mm	120 mm	KOB-YN01V00001R300	251.50
	YN01V00002F1	YN018001-YN022848	P-UB-1	80 mm		KOB-YN01V00001R100	119.71
	YN01V00002F1	YN018001-YN022848	N-N-14		120 mm	KOB-YN01V00001R200	131.79
	YN01V00002F1	YQ02801-	P-UB-14	80 mm	120 mm	KOB-YN01V00001R300	251.50
	YN01V00002F1	YQ02801-	P-UB-1	80 mm		KOB-YN01V00001R100	119.71
	YN01V00002F1	YQ02801-	N-N-14		120 mm	KOB-YN01V00001R200	131.79
	YN01V00002F2	YN018001-YN022848	P-UB-14	80 mm	120 mm	KOB-YN01V00001R300	251.50
	YN01V00002F2	YN018001-YN022848	P-UB-1	80 mm		KOB-YN01V00001R100	119.71
	YN01V00002F2	YN018001-YN022848	N-N-14		120 mm	KOB-YN01V00001R200	131.79
	YN01V00002F2	YQ02801-	P-UB-14	80 mm	120 mm	KOB-YN01V00001R300	251.50

KOBELCO

Replacement Kits For

KOBELCO

Excavators								
APPLICATION	CYL #	SERIAL #	CODE	ROD	BORE	KIT #	List \$	
MODEL SK200 V								
BOOM LH	YN01V00002F2	YQ02801-	P-UB-1	80 mm		KOB-YN01V00001R100	119.71	
	YN01V00002F2	YQ02801-	N-N-14		120 mm	KOB-YN01V00001R200	131.79	
BOOM RH	YN01V00001F1	YN018001-YN022848	P-UB-14	80 mm	120 mm	KOB-YN01V00001R300	251.50	
	YN01V00001F1	YN018001-YN022848	P-UB-1	80 mm		KOB-YN01V00001R100	119.71	
	YN01V00001F1	YN018001-YN022848	N-N-14		120 mm	KOB-YN01V00001R200	131.79	
	YN01V00001F1	YQ02801-	P-UB-14	80 mm	120 mm	KOB-YN01V00001R300	251.50	
	YN01V00001F1	YQ02801-	P-UB-1	80 mm		KOB-YN01V00001R100	119.71	
	YN01V00001F1	YQ02801-	N-N-14		120 mm	KOB-YN01V00001R200	131.79	
	YN01V00001F2	YN018001-YN022848	P-UB-14	80 mm	120 mm	KOB-YN01V00001R300	251.50	
	YN01V00001F2	YN018001-YN022848	P-UB-1	80 mm		KOB-YN01V00001R100	119.71	
	YN01V00001F2	YN018001-YN022848	N-N-14		120 mm	KOB-YN01V00001R200	131.79	
	YN01V00001F2	YQ02801-	P-UB-14	80 mm	120 mm	KOB-YN01V00001R300	251.50	
	YN01V00001F2	YQ02801-	P-UB-1	80 mm		KOB-YN01V00001R100	119.71	
	YN01V00001F2	YQ02801-	N-N-14		120 mm	KOB-YN01V00001R200	131.79	
BUCKET	LP01V00005F1	YNT00001-	N-N-14		95 mm	KOB-YW01V00003R200	110.68	
	LP01V00005F2	YNT00001-	N-N-14		95 mm	KOB-YW01V00003R200	110.68	
	LP01V00005F3	YNT00001-	N-N-14		95 mm	KOB-YW01V00003R200	110.68	
	YN01V00004F1	YN018001-YN022848	P-UB-14	75 mm	115 mm	KOB-YN01V00004R300	193.33	
	YN01V00004F1	YN018001-YN022848	P-UB-1	75 mm		KOB-YN01V00004R100	75.79	
	YN01V00004F1	YN018001-YN022848	N-N-14		115 mm	KOB-YN01V00004R200	117.54	
	YN01V00004F1	YNT00001-	P-UB-14	75 mm	115 mm	KOB-YN01V00004R300	193.33	
	YN01V00004F1	YNT00001-	P-UB-1	75 mm		KOB-YN01V00004R100	75.79	
	YN01V00004F1	YNT00001-	N-N-14		115 mm	KOB-YN01V00004R200	117.54	
	YN01V00004F1	YQ02801-	P-UB-14	75 mm	115 mm	KOB-YN01V00004R300	193.33	
	YN01V00004F1	YQ02801-	P-UB-1	75 mm		KOB-YN01V00004R100	75.79	
	YN01V00004F1	YQ02801-	N-N-14		115 mm	KOB-YN01V00004R200	117.54	
	YN01V00004F2	YN018001-YN022848	P-UB-14	75 mm	115 mm	KOB-YN01V00004R300	193.33	
	YN01V00004F2	YN018001-YN022848	P-UB-1	75 mm		KOB-YN01V00004R100	75.79	
	YN01V00004F2	YN018001-YN022848	N-N-14		115 mm	KOB-YN01V00004R200	117.54	
	YN01V00004F2	YNT00001-	P-UB-14	75 mm	115 mm	KOB-YN01V00004R300	193.33	
	YN01V00004F2	YNT00001-	P-UB-1	75 mm		KOB-YN01V00004R100	75.79	
	YN01V00004F2	YNT00001-	N-N-14		115 mm	KOB-YN01V00004R200	117.54	
	YN01V00004F2	YQ02801-	P-UB-14	75 mm	115 mm	KOB-YN01V00004R300	193.33	
	YN01V00004F2	YQ02801-	P-UB-1	75 mm		KOB-YN01V00004R100	75.79	
	YN01V00004F2	YQ02801-	N-N-14		115 mm	KOB-YN01V00004R200	117.54	
	BUCKET Long Range	LP01V00005F1	YN018001-YN022848	N-N-14		95 mm	KOB-YW01V00003R200	110.68
		LP01V00005F1	YNT00001-	N-N-14		95 mm	KOB-YW01V00003R200	110.68
		LP01V00005F1	YQ02801-	N-N-14		95 mm	KOB-YW01V00003R200	110.68
LP01V00005F2		YN018001-YN022848	N-N-14		95 mm	KOB-YW01V00003R200	110.68	
LP01V00005F2		YNT00001-	N-N-14		95 mm	KOB-YW01V00003R200	110.68	
LP01V00005F2		YQ02801-	N-N-14		95 mm	KOB-YW01V00003R200	110.68	
LP01V00005F3		YN018001-YN022848	N-N-14		95 mm	KOB-YW01V00003R200	110.68	
LP01V00005F3		YNT00001-	N-N-14		95 mm	KOB-YW01V00003R200	110.68	
LP01V00005F3		YQ02801-	N-N-14		95 mm	KOB-YW01V00003R200	110.68	
YW01V00003F1		YN018001-YN022848	N-N-14		95 mm	KOB-YW01V00003R200	110.68	
MODEL SK200-6								
ARM		YN01V00039F1	YN30001-	P-UB-14	95 mm	135 mm	KOB-YN01V00039R300	328.10
	YN01V00039F1	YN30001-	P-UB-1	95 mm		KOB-YN01V00039R100	80.41	
	YN01V00039F1	YN30001-	N-N-14		135 mm	KOB-YN01V00039R200	247.71	
ARM HD, Dismantle	YN01V00078F1	YN30001-	P-UB-14	95 mm	135 mm	KOB-YN01V00078R300	328.10	
	YN01V00078F1	YN30001-	P-UB-1	95 mm		KOB-YN01V00078R100	80.41	
	YN01V00078F1	YN30001-	N-N-14		135 mm	KOB-YN01V00078R200	247.71	
BOOM LH	YN01V00038F1	YN30001-	P-UB-14	85 mm	125 mm	KOB-YN01V00052R300	269.20	

KOBELCO

Replacement Kits For

KOBELCO

Excavators							
APPLICATION	CYL #	SERIAL #	CODE	ROD	BORE	KIT #	List \$
MODEL SK200-6							
BOOM LH	YN01V00038F1	YN30001-	P-UB-1	85 mm		KOB-YN01V00052R100	75.79
	YN01V00038F1	YN30001-	N-N-14		125 mm	KOB-YN01V00052R200	193.42
BOOM RH	YN01V00037F1	YN30001-	P-UB-14	85 mm	125 mm	KOB-YN01V00052R300	269.20
	YN01V00037F1	YN30001-	P-UB-1	85 mm		KOB-YN01V00052R100	75.79
	YN01V00037F1	YN30001-	N-N-14		125 mm	KOB-YN01V00052R200	193.42
	YN01V00037F1	YN30001-	P-UB-14	80 mm	115 mm	KOB-YN01V00068R300	157.12
BUCKET	YN01V00068F1	YN30001-	P-UB-1	80 mm		KOB-YN01V00068R100	76.03
	YN01V00068F1	YN30001-	N-N-14		115 mm	KOB-YN01V00068R200	81.09
	YN01V00068F1	YN30001-	P-UB-14	80 mm	115 mm	KOB-YN01V00077R300	157.12
BUCKET HD, Dismantle	YN01V00077F1	YN30001-	P-UB-1	80 mm		KOB-YN01V00068R100	76.03
	YN01V00077F1	YN30001-	N-N-14		115 mm	KOB-YN01V00068R200	81.09
	YN01V00077F1	YN30001-	P-UB-14	80 mm	115 mm	KOB-YN01V00068R300	157.12
MODEL SK200-6ES							
ARM	YN01V00118F1	YN10-38001-YN10-41732	P-UB-1	95 mm		KOB-YN01V00105R100	183.92
	YN01V00118F2	YN10-38001-YN10-41732	P-UB-1	95 mm		KOB-YN01V00105R100	183.92
	YN01V00132F1	YN10-38001-YN10-41732	P-UB-10	95 mm	135 mm	KOB-YN01V00105R900	508.46
	YN01V00132F1	YN10-38001-YN10-41732	P-UB-1	95 mm		KOB-YN01V00105R100	183.92
	YN01V00132F1	YN10-38001-YN10-41732	N-N-10		135 mm	KOB-YN01V00105R800	324.54
	YN01V00132F2	YN10-38001-YN10-41732	P-UB-10	95 mm	135 mm	KOB-YN01V00105R900	508.46
	YN01V00132F2	YN10-38001-YN10-41732	P-UB-1	95 mm		KOB-YN01V00105R100	183.92
	YN01V00132F2	YN10-38001-YN10-41732	N-N-10		135 mm	KOB-YN01V00105R800	324.54
	YN01V00132F3	YN10-38001-YN10-41732	P-UB-10	95 mm	135 mm	KOB-YN01V00105R900	508.46
	YN01V00132F3	YN10-38001-YN10-41732	P-UB-1	95 mm		KOB-YN01V00105R100	183.92
	YN01V00132F3	YN10-38001-YN10-41732	N-N-10		135 mm	KOB-YN01V00105R800	324.54
	YN01V00132F4	YN10-38001-YN10-41732	P-UB-10	95 mm	135 mm	KOB-YN01V00105R900	508.46
	YN01V00132F4	YN10-38001-YN10-41732	P-UB-1	95 mm		KOB-YN01V00105R100	183.92
	YN01V00132F4	YN10-38001-YN10-41732	N-N-10		135 mm	KOB-YN01V00105R800	324.54
	YN01V00132F5	YN10-38001-YN10-41732	P-UB-10	95 mm	135 mm	KOB-YN01V00105R900	508.46
	YN01V00132F5	YN10-38001-YN10-41732	P-UB-1	95 mm		KOB-YN01V00105R100	183.92
YN01V00132F5	YN10-38001-YN10-41732	N-N-10		135 mm	KOB-YN01V00105R800	324.54	
BOOM LH	YN01V00104F1	YN10-38001-YN10-41732	P-UB-10	85 mm	125 mm	KOB-YN01V00103R900	410.31
	YN01V00104F1	YN10-38001-YN10-41732	P-UB-1	85 mm		KOB-YN01V00103R100	157.51
	YN01V00104F1	YN10-38001-YN10-41732	N-N-10		125 mm	KOB-YN01V00103R800	252.82
	YN01V00104F2	YN10-38001-YN10-41732	P-UB-10	85 mm	125 mm	KOB-YN01V00103R900	410.31
	YN01V00104F2	YN10-38001-YN10-41732	P-UB-1	85 mm		KOB-YN01V00103R100	157.51
	YN01V00104F2	YN10-38001-YN10-41732	N-N-10		125 mm	KOB-YN01V00103R800	252.82
	YN01V00104F3	YN10-38001-YN10-41732	P-UB-10	85 mm	125 mm	KOB-YN01V00103R900	410.31
	YN01V00104F3	YN10-38001-YN10-41732	P-UB-1	85 mm		KOB-YN01V00103R100	157.51
BOOM RH	YN01V00104F3	YN10-38001-YN10-41732	N-N-10		125 mm	KOB-YN01V00103R800	252.82
	YN01V00103F1	YN10-38001-YN10-41732	P-UB-10	85 mm	125 mm	KOB-YN01V00103R900	410.31
	YN01V00103F1	YN10-38001-YN10-41732	P-UB-1	85 mm		KOB-YN01V00103R100	157.51
	YN01V00103F1	YN10-38001-YN10-41732	N-N-10		125 mm	KOB-YN01V00103R800	252.82
	YN01V00103F2	YN10-38001-YN10-41732	P-UB-10	85 mm	125 mm	KOB-YN01V00103R900	410.31
	YN01V00103F2	YN10-38001-YN10-41732	P-UB-1	85 mm		KOB-YN01V00103R100	157.51
	YN01V00103F2	YN10-38001-YN10-41732	N-N-10		125 mm	KOB-YN01V00103R800	252.82
	YN01V00103F3	YN10-38001-YN10-41732	P-UB-10	85 mm	125 mm	KOB-YN01V00103R900	410.31
BUCKET	YN01V00103F3	YN10-38001-YN10-41732	P-UB-1	85 mm		KOB-YN01V00103R100	157.51
	YN01V00103F3	YN10-38001-YN10-41732	N-N-10		125 mm	KOB-YN01V00103R800	252.82
	YN01V00112F1	YN10-38001-YN10-41732	P-UB-10	80 mm	120 mm	KOB-YN01V00112R900	503.78
	YN01V00112F1	YN10-38001-YN10-41732	P-UB-1	80 mm		KOB-YN01V00112R100	184.56
	YN01V00112F1	YN10-38001-YN10-41732	N-N-10		120 mm	KOB-YN01V00112R800	314.61
	YN01V00112F2	YN10-38001-YN10-41732	P-UB-10	80 mm	120 mm	KOB-YN01V00112R900	503.78
	YN01V00112F2	YN10-38001-YN10-41732	P-UB-1	80 mm		KOB-YN01V00112R100	184.56
	YN01V00112F2	YN10-38001-YN10-41732	N-N-10		120 mm	KOB-YN01V00112R800	314.61
YN01V00112F4	YN10-38001-YN10-41732	P-UB-10	80 mm	120 mm	KOB-YN01V00112R900	503.78	

KOBELCO

Replacement Kits For

KOBELCO

Excavators							
APPLICATION	CYL #	SERIAL #	CODE	ROD	BORE	KIT #	List \$
MODEL SK200-6ES							
BUCKET	YN01V00112F4	YN10-38001-YN10-41732	P-UB-1	80 mm		KOB-YN01V00112R100	184.56
	YN01V00112F4	YN10-38001-YN10-41732	N-N-10		120 mm	KOB-YN01V00112R800	314.61
	YN01V00112F5	YN10-38001-YN10-41732	P-UB-10	80 mm	120 mm	KOB-YN01V00112R900	503.78
	YN01V00112F5	YN10-38001-YN10-41732	P-UB-1	80 mm		KOB-YN01V00112R100	184.56
	YN01V00112F5	YN10-38001-YN10-41732	N-N-10		120 mm	KOB-YN01V00112R800	314.61
	YN01V00119F1	YN10-38001-YN10-41732	P-UB-1	80 mm		KOB-YN01V00112R100	184.56
	YN01V00119F2	YN10-38001-YN10-41732	P-UB-1	80 mm		KOB-YN01V00112R100	184.56
	YN01V00119F3	YN10-38001-YN10-41732	P-UB-1	80 mm		KOB-YN01V00112R100	184.56
MODEL SK200-8							
ARM	YN01V00175F1	YN11-45001-	P-UB-10	95 mm	135 mm	KOB-YN01V00175R300	525.15
	YN01V00175F1	YN11-45001-	P-UB-1	95 mm		KOB-YN01V00175R100	157.43
	YN01V00175F1	YN11-45001-	N-N-10		135 mm	KOB-YN01V00175R200	356.44
	YN01V00175F2	YN11-45001-	P-UB-10	95 mm	135 mm	KOB-YN01V00175R300	525.15
	YN01V00175F2	YN11-45001-	P-UB-1	95 mm		KOB-YN01V00175R100	157.43
	YN01V00175F2	YN11-45001-	N-N-10		135 mm	KOB-YN01V00175R200	356.44
	YN02B00486F1	YN12-56001-	P-UB-10	95 mm	135 mm	KOB-YN01V00175R300	525.15
	YN02B00486F1	YN12-56001-	P-UB-1	95 mm		KOB-YN01V00175R100	157.43
BOOM	YN02B00486F1	YN12-56001-	N-N-10		135 mm	KOB-YN01V00175R200	356.44
	YN01V00151F1	YN11-45001-	P-UB-10	85 mm	120 mm	KOB-YN01V00151R300	573.03
	YN01V00151F1	YN11-45001-	P-UB-1	85 mm		KOB-YN01V00151R100	153.50
	YN01V00151F1	YN11-45001-	N-N-10		120 mm	KOB-YN01V00151R200	156.67
	YN02B00405F1	YN12-56001-	P-UB-10	85 mm	120 mm	KOB-YN01V00151R700	412.38
	YN02B00405F1	YN12-56001-	P-UB-1	85 mm		KOB-YN01V00151R100	153.50
	YN02B00405F1	YN12-56001-	N-N-10		120 mm	KOB-YN01V00151R600	158.24
	BUCKET	YN01V00153F1	YN11-45001-	P-UB-10	80 mm	120 mm	KOB-YN01V00153R300
YN01V00153F1		YN11-45001-	P-UB-1	80 mm		KOB-YN01V00153R100	159.38
YN01V00153F1		YN11-45001-	N-N-10		120 mm	KOB-YN01V00151R200	156.67
YN01V00153F2		YN11-45001-	P-UB-10	80 mm	120 mm	KOB-YN01V00153R300	324.84
YN01V00153F2		YN11-45001-	P-UB-1	80 mm		KOB-YN01V00153R100	159.38
YN01V00153F2		YN11-45001-	N-N-10		120 mm	KOB-YN01V00151R200	156.67
YN12B00969F1		YN12-56001-	P-UB-10	80 mm	120 mm	KOB-YN01V00153R300	324.84
YN12B00969F1		YN12-56001-	P-UB-1	80 mm		KOB-YN01V00153R100	159.38
YN12B00969F1		YN12-56001-	N-N-10		120 mm	KOB-YN01V00151R200	156.67
MODEL SK200LC							
ARM	2438U1104F1	YQU0701-	P-UB-10	100 mm	145 mm	KOB-2438U1104R500	594.43
	2438U1104F1	YQU0701-	P-UB-1	100 mm		KOB-2438U1104R400	183.38
	2438U1104F1	YQU0701-	N-N-10		145 mm	KOB-2438U1104R200	411.05
	2438U1108F1	YQU0701-	P-UB-14	100 mm	145 mm	KOB-2438U1108R300	515.09
	2438U1108F1	YQU0701-	P-UB-1	100 mm		KOB-2438U1108R100	227.22
	2438U1108F1	YQU0701-	N-N-14		145 mm	KOB-2438U1108R200	261.12
	BOOM LH	2438U1103F1	YQU0701-	P-UB-10	85 mm	125 mm	KOB-2438U1102R500
2438U1103F1		YQU0701-	P-UB-1	85 mm		KOB-2438U1102R600	157.94
2438U1103F1		YQU0701-	N-N-10		125 mm	KOB-2438U1102R200	277.97
2438U1107F1		YQU0701-	P-UB-10	85 mm	125 mm	KOB-2438U1106R300	562.95
2438U1107F1		YQU0701-	P-UB-1	85 mm		KOB-2438U1106R100	208.29
2438U1107F1		YQU0701-	N-N-10		125 mm	KOB-2438U1106R200	354.63
BOOM RH	2438U1102F1	YQU0701-	P-UB-10	85 mm	125 mm	KOB-2438U1102R500	435.89
	2438U1102F1	YQU0701-	P-UB-1	85 mm		KOB-2438U1102R600	157.94
	2438U1102F1	YQU0701-	N-N-10		125 mm	KOB-2438U1102R200	277.97
	2438U1106F1	YQU0701-	P-UB-10	85 mm	125 mm	KOB-2438U1106R300	562.95
	2438U1106F1	YQU0701-	P-UB-1	85 mm		KOB-2438U1106R100	208.29
	2438U1106F1	YQU0701-	N-N-10		125 mm	KOB-2438U1106R200	354.63
BUCKET	2438U1105F1	YQU0701-	P-UB-10	80 mm	120 mm	KOB-2438U1105R500	322.18
	2438U1105F1	YQU0701-	P-UB-1	80 mm		KOB-2438U1105R400	148.80
	2438U1105F1	YQU0701-	N-N-10		120 mm	KOB-2438U1105R200	195.48

FORMERLY LISTED REPAIR PARTS ARE AVAILABLE ONLINE AT WWW.HERCULESCA.CA
OR BY CONTACTING YOUR REGIONAL HERCULES SALES TEAM.

Replacement Kits For

KOBELCO

Excavators							
APPLICATION	CYL #	SERIAL #	CODE	ROD	BORE	KIT #	List \$
MODEL SK200LC							
BUCKET	2438U1109F1	YQU0701-	P-UB-10	80 mm	120 mm	KOB-2438U1109R300	413.08
	2438U1109F1	YQU0701-	P-UB-1	80 mm		KOB-2438U1109R200	203.54
	2438U1109F1	YQU0701-	N-N-10		120 mm	KOB-2438U1109R100	211.37
MODEL SK200LC III							
ARM	2438U1104F1		P-UB-10	100 mm	145 mm	KOB-2438U1104R300	544.53
	2438U1104F1		P-UB-1	100 mm		KOB-2438U1104R400	183.38
	2438U1104F1		N-N-10		145 mm	KOB-2438U1104R200	411.05
	2438U1104F1		Bushing	100 mm		KOB-2438U1104S4	62.28
	2438U1108F1		P-UB-14	100 mm	145 mm	KOB-2438U1108R300	515.09
	2438U1108F1		P-UB-1	100 mm		KOB-2438U1108R100	227.22
	2438U1108F1		N-N-14		145 mm	KOB-2438U1108R200	261.12
	2438U1129F1		P-UB-10	120 mm	180 mm	KOB-2438U1129R300	588.23
	2438U1129F1		P-UB-1	120 mm		KOB-2438U1129R100	213.90
BOOM LH	2438U1129F1		N-N-10		180 mm	KOB-2445R174R200	374.31
	2438U1103F1		P-UB-10	85 mm	125 mm	KOB-2438U1102R300	435.89
	2438U1103F1		P-UB-1	85 mm		KOB-2438U1102R600	157.94
	2438U1103F1		N-N-10		125 mm	KOB-2438U1102R200	277.97
	2438U1107F1		P-UB-10	85 mm	125 mm	KOB-2438U1106R300	562.95
	2438U1107F1		P-UB-1	85 mm		KOB-2438U1106R100	208.29
BOOM RH	2438U1107F1		N-N-10		125 mm	KOB-2438U1106R200	354.63
	2438U1102F1		P-UB-10	85 mm	125 mm	KOB-2438U1102R300	435.89
	2438U1102F1		P-UB-1	85 mm		KOB-2438U1102R600	157.94
	2438U1102F1		N-N-10		125 mm	KOB-2438U1102R200	277.97
	2438U1106F1		P-UB-10	85 mm	125 mm	KOB-2438U1106R300	562.95
	2438U1106F1		P-UB-1	85 mm		KOB-2438U1106R100	208.29
BUCKET	2438U1106F1		N-N-10		125 mm	KOB-2438U1106R200	354.63
	2438U1097F1		P-UB-10	65 mm	95 mm	KOB-2438U1097R300	423.19
	2438U1097F1		P-UB-1	65 mm		KOB-2438U1097R100	166.04
	2438U1097F1		N-N-10		95 mm	KOB-2438U1097R200	257.16
	2438U1097F2		P-UB-10	65 mm	95 mm	KOB-2438U1097R300	423.19
	2438U1097F2		P-UB-1	65 mm		KOB-2438U1097R100	166.04
	2438U1097F2		N-N-10		95 mm	KOB-2438U1097R200	257.16
	2438U1105F1		P-UB-1	80 mm		KOB-2438U1105R400	148.80
	2438U1105F1		N-N-10		120 mm	KOB-2438U1105R200	195.48
	2438U1109F1		P-UB-10	80 mm	120 mm	KOB-2438U1109R300	413.08
	2438U1109F1		N-N-10		120 mm	KOB-2438U1109R100	211.37
	2438U1109F1		P-UB-1	80 mm		KOB-2438U1109R200	203.54
TELESCOPIC	2438U1130F1		P-UB-1	60 mm		KOB-2438U705R100	119.02
	2438U1130F2		P-UB-1	60 mm		KOB-2438U705R100	119.02
MODEL SK200LC IV							
ARM	2438U1104F1	YQU2001-YQU3000	P-UB-10	100 mm	145 mm	KOB-2438U1104R300	544.53
	2438U1104F1	YQU2001-YQU3000	P-UB-1	100 mm		KOB-2438U1104R400	183.38
	2438U1104F1	YQU2001-YQU3000	N-N-10		145 mm	KOB-2438U1104R200	411.05
	2438U1104F1	YQU2001-YQU3000	Bushing	100 mm		KOB-2438U1104S4	62.28
	2438U1104F1	YQU3101-	P-UB-10	100 mm	145 mm	KOB-2438U1104R500	594.43
	2438U1104F1	YQU3101-	P-UB-1	100 mm		KOB-2438U1104R400	183.38
	2438U1104F1	YQU3101-	N-N-10		145 mm	KOB-2438U1104R200	411.05
	2438U1104F1	YQU3101-	Bushing	100 mm		KOB-2438U1104S4	62.28
	BOOM LH	2438U1103F1	YQU2001-YQU3000	P-UB-10	85 mm	125 mm	KOB-2438U1102R300
2438U1103F1		YQU2001-YQU3000	P-UB-1	85 mm		KOB-2438U1102R600	157.94
2438U1103F1		YQU2001-YQU3000	N-N-10		125 mm	KOB-2438U1102R200	277.97
2438U1103F1		YQU3101-	P-UB-10	85 mm	125 mm	KOB-2438U1102R500	435.89
2438U1103F1		YQU3101-	P-UB-1	85 mm		KOB-2438U1102R600	157.94
2438U1103F1		YQU3101-	N-N-10		125 mm	KOB-2438U1102R200	277.97
BOOM RH	2438U1102F1	YQU2001-YQU3000	P-UB-10	85 mm	125 mm	KOB-2438U1102R300	435.89

KOBELCO

Replacement Kits For

KOBELCO

Excavators								
APPLICATION	CYL #	SERIAL #	CODE	ROD	BORE	KIT #	List \$	
MODEL SK200LC IV								
BOOM RH	2438U1102F1	YQU2001-YQU3000	P-UB-1	85 mm		KOB-2438U1102R600	157.94	
	2438U1102F1	YQU2001-YQU3000	N-N-10		125 mm	KOB-2438U1102R200	277.97	
	2438U1102F1	YQU3101-	P-UB-10	85 mm	125 mm	KOB-2438U1102R300	435.89	
	2438U1102F1	YQU3101-	P-UB-1	85 mm		KOB-2438U1102R600	157.94	
	2438U1102F1	YQU3101-	N-N-10		125 mm	KOB-2438U1102R200	277.97	
BUCKET	2438U1105F1	YQU3101-	P-UB-10	80 mm	120 mm	KOB-2438U1105R500	322.18	
	2438U1105F1	YQU3101-	P-UB-1	80 mm		KOB-2438U1105R400	148.80	
	2438U1105F1	YQU3101-	N-N-10		120 mm	KOB-2438U1105R200	195.48	
BUCKET Long Reach	2438U1097F2	YQU3101-	P-UB-1	65 mm		KOB-2438U1097R100	166.04	
	2438U1097F2	YQU3101-	N-N-10		95 mm	KOB-2438U1097R200	257.16	
MODEL SK200LC V								
ARM	YN01V00003F1	YQ002301-YQ002645	P-UB-14	95 mm	135 mm	KOB-YN01V00003R300	401.83	
	YN01V00003F1	YQ002301-YQ002645	P-UB-1	95 mm		KOB-YN01V00003R100	80.41	
	YN01V00003F1	YQ002301-YQ002645	N-N-14		135 mm	KOB-YN01V00019R100	321.43	
	YN01V00003F1	YQ02801-	P-UB-14	95 mm	135 mm	KOB-YN01V00003R300	401.83	
	YN01V00003F1	YQ02801-	P-UB-1	95 mm		KOB-YN01V00003R100	80.41	
	YN01V00003F1	YQ02801-	N-N-14		135 mm	KOB-YN01V00019R100	321.43	
	YN01V00003F3	YQ002301-YQ002645	P-UB-14	95 mm	135 mm	KOB-YN01V00003R300	401.83	
	YN01V00003F3	YQ002301-YQ002645	P-UB-1	95 mm		KOB-YN01V00003R100	80.41	
	YN01V00003F3	YQ002301-YQ002645	N-N-14		135 mm	KOB-YN01V00019R100	321.43	
	YN01V00003F3	YQ02801-	P-UB-14	95 mm	135 mm	KOB-YN01V00003R300	401.83	
	YN01V00003F3	YQ02801-	P-UB-1	95 mm		KOB-YN01V00003R100	80.41	
	YN01V00003F3	YQ02801-	N-N-14		135 mm	KOB-YN01V00019R100	321.43	
	YN01V00019F1	YQ02801-	P-UB-14	95 mm	135 mm	KOB-YN01V00019R200	401.83	
	YN01V00019F1	YQ02801-	P-UB-1	95 mm		KOB-YN01V00003R100	80.41	
	YN01V00019F1	YQ02801-	N-N-14		135 mm	KOB-YN01V00019R100	321.43	
	YN01V00019F1	YQT00001-	P-UB-14	95 mm	135 mm	KOB-YN01V00019R200	401.83	
	YN01V00019F1	YQT00001-	P-UB-1	95 mm		KOB-YN01V00003R100	80.41	
	YN01V00019F1	YQT00001-	N-N-14		135 mm	KOB-YN01V00019R100	321.43	
	YN01V00019F2	YQ02801-	P-UB-14	95 mm	135 mm	KOB-YN01V00019R200	401.83	
	YN01V00019F2	YQ02801-	P-UB-1	95 mm		KOB-YN01V00003R100	80.41	
	YN01V00019F2	YQ02801-	N-N-14		135 mm	KOB-YN01V00019R100	321.43	
	YN01V00019F2	YQ02801-	N-N-14		135 mm	KOB-YN01V00019R100	321.43	
	YN01V00019F2	YQT00001-	P-UB-14	95 mm	135 mm	KOB-YN01V00019R200	401.83	
	YN01V00019F2	YQT00001-	P-UB-1	95 mm		KOB-YN01V00003R100	80.41	
	YN01V00019F2	YQT00001-	N-N-14		135 mm	KOB-YN01V00019R100	321.43	
	BOOM LH	YN01V00002F1	YQ002301-YQ002645	P-UB-14	80 mm	120 mm	KOB-YN01V00001R300	251.50
		YN01V00002F1	YQ002301-YQ002645	P-UB-1	80 mm		KOB-YN01V00001R100	119.71
		YN01V00002F1	YQ002301-YQ002645	N-N-14		120 mm	KOB-YN01V00001R200	131.79
YN01V00002F1		YQ02801-	P-UB-14	80 mm	120 mm	KOB-YN01V00001R300	251.50	
YN01V00002F1		YQ02801-	P-UB-1	80 mm		KOB-YN01V00001R100	119.71	
YN01V00002F1		YQ02801-	N-N-14		120 mm	KOB-YN01V00001R200	131.79	
YN01V00002F1		YQT00001-	P-UB-14	80 mm	120 mm	KOB-YN01V00001R300	251.50	
YN01V00002F1		YQT00001-	P-UB-1	80 mm		KOB-YN01V00001R100	119.71	
YN01V00002F1		YQT00001-	N-N-14		120 mm	KOB-YN01V00001R200	131.79	
YN01V00002F2		YQ002301-YQ002645	P-UB-14	80 mm	120 mm	KOB-YN01V00001R300	251.50	
YN01V00002F2		YQ002301-YQ002645	P-UB-1	80 mm		KOB-YN01V00001R100	119.71	
YN01V00002F2		YQ002301-YQ002645	N-N-14		120 mm	KOB-YN01V00001R200	131.79	
YN01V00002F2		YQ02801-	P-UB-14	80 mm	120 mm	KOB-YN01V00001R300	251.50	
YN01V00002F2		YQ02801-	P-UB-1	80 mm		KOB-YN01V00001R100	119.71	
YN01V00002F2		YQ02801-	N-N-14		120 mm	KOB-YN01V00001R200	131.79	
YN01V00002F2		YQT00001-	P-UB-14	80 mm	120 mm	KOB-YN01V00001R300	251.50	
YN01V00002F2		YQT00001-	P-UB-1	80 mm		KOB-YN01V00001R100	119.71	
YN01V00002F2		YQT00001-	N-N-14		120 mm	KOB-YN01V00001R200	131.79	
BOOM RH		YN01V00001F1	YQ002301-YQ002645	P-UB-14	80 mm	120 mm	KOB-YN01V00001R300	251.50

KOBELCO

Replacement Kits For

KOBELCO

Excavators								
APPLICATION	CYL #	SERIAL #	CODE	ROD	BORE	KIT #	List \$	
MODEL SK200LC V								
BOOM RH	YN01V00001F1	YQ002301-YQ002645	P-UB-1	80 mm		KOB-YN01V00001R100	119.71	
	YN01V00001F1	YQ002301-YQ002645	N-N-14		120 mm	KOB-YN01V00001R200	131.79	
	YN01V00001F1	YQ02801-	P-UB-14	80 mm	120 mm	KOB-YN01V00001R300	251.50	
	YN01V00001F1	YQ02801-	P-UB-1	80 mm		KOB-YN01V00001R100	119.71	
	YN01V00001F1	YQ02801-	N-N-14		120 mm	KOB-YN01V00001R200	131.79	
	YN01V00001F1	YQT00001-	P-UB-14	80 mm	120 mm	KOB-YN01V00001R300	251.50	
	YN01V00001F1	YQT00001-	P-UB-1	80 mm		KOB-YN01V00001R100	119.71	
	YN01V00001F1	YQT00001-	N-N-14		120 mm	KOB-YN01V00001R200	131.79	
	YN01V00001F2	YQ002301-YQ002645	P-UB-14	80 mm	120 mm	KOB-YN01V00001R300	251.50	
	YN01V00001F2	YQ002301-YQ002645	P-UB-1	80 mm		KOB-YN01V00001R100	119.71	
	YN01V00001F2	YQ002301-YQ002645	N-N-14		120 mm	KOB-YN01V00001R200	131.79	
	YN01V00001F2	YQ02801-	P-UB-14	80 mm	120 mm	KOB-YN01V00001R300	251.50	
	YN01V00001F2	YQ02801-	P-UB-1	80 mm		KOB-YN01V00001R100	119.71	
	YN01V00001F2	YQ02801-	N-N-14		120 mm	KOB-YN01V00001R200	131.79	
	YN01V00001F2	YQT00001-	P-UB-14	80 mm	120 mm	KOB-YN01V00001R300	251.50	
	YN01V00001F2	YQT00001-	P-UB-1	80 mm		KOB-YN01V00001R100	119.71	
	YN01V00001F2	YQT00001-	N-N-14		120 mm	KOB-YN01V00001R200	131.79	
	BUCKET	YN01V00004F1	YQ002301-YQ002645	P-UB-14	75 mm	115 mm	KOB-YN01V00004R300	193.33
		YN01V00004F1	YQ002301-YQ002645	P-UB-1	75 mm		KOB-YN01V00004R100	75.79
		YN01V00004F1	YQ002301-YQ002645	N-N-14		115 mm	KOB-YN01V00004R200	117.54
YN01V00004F1		YQ02801-	P-UB-14	75 mm	115 mm	KOB-YN01V00004R300	193.33	
YN01V00004F1		YQ02801-	P-UB-1	75 mm		KOB-YN01V00004R100	75.79	
YN01V00004F1		YQ02801-	N-N-14		115 mm	KOB-YN01V00004R200	117.54	
YN01V00004F1		YQT00001-	P-UB-14	75 mm	115 mm	KOB-YN01V00004R300	193.33	
YN01V00004F1		YQT00001-	P-UB-1	75 mm		KOB-YN01V00004R100	75.79	
YN01V00004F1		YQT00001-	N-N-14		115 mm	KOB-YN01V00004R200	117.54	
YN01V00004F2		YQ02801-	P-UB-14	75 mm	115 mm	KOB-YN01V00004R300	193.33	
YN01V00004F2		YQ02801-	P-UB-1	75 mm		KOB-YN01V00004R100	75.79	
YN01V00004F2		YQ02801-	N-N-14		115 mm	KOB-YN01V00004R200	117.54	
YN01V00004F2		YQT00001-	P-UB-14	75 mm	115 mm	KOB-YN01V00004R300	193.33	
YN01V00004F2		YQT00001-	P-UB-1	75 mm		KOB-YN01V00004R100	75.79	
YN01V00004F2		YQT00001-	N-N-14		115 mm	KOB-YN01V00004R200	117.54	
BUCKET Long Range		LP01V00005F1	YQ002301-YQ002645	N-N-14		95 mm	KOB-YW01V00003R200	110.68
		LP01V00005F1	YQ02801-	N-N-14		95 mm	KOB-YW01V00003R200	110.68
		LP01V00005F1	YQT00001-	N-N-14		95 mm	KOB-YW01V00003R200	110.68
		LP01V00005F2	YQ002301-YQ002645	N-N-14		95 mm	KOB-YW01V00003R200	110.68
		LP01V00005F2	YQ02801-	N-N-14		95 mm	KOB-YW01V00003R200	110.68
	LP01V00005F2	YQT00001-	N-N-14		95 mm	KOB-YW01V00003R200	110.68	
	LP01V00005F3	YQ002301-YQ002645	N-N-14		95 mm	KOB-YW01V00003R200	110.68	
	LP01V00005F3	YQ02801-	N-N-14		95 mm	KOB-YW01V00003R200	110.68	
	LP01V00005F3	YQT00001-	N-N-14		95 mm	KOB-YW01V00003R200	110.68	
	YW01V00003F1	YQ002301-YQ002645	N-N-14		95 mm	KOB-YW01V00003R200	110.68	
MODEL SK200LC-6								
ARM	YN01V00039F1	YQ03501-	P-UB-14	95 mm	135 mm	KOB-YN01V00039R300	328.10	
	YN01V00039F1	YQ03501-	P-UB-1	95 mm		KOB-YN01V00039R100	80.41	
	YN01V00039F1	YQ03501-	N-N-14		135 mm	KOB-YN01V00039R200	247.71	
ARM HD, Dismantle	YN01V00078F1	YQ03501-	P-UB-14	95 mm	135 mm	KOB-YN01V00078R300	328.10	
	YN01V00078F1	YQ03501-	P-UB-1	95 mm		KOB-YN01V00078R100	80.41	
	YN01V00078F1	YQ03501-	N-N-14		135 mm	KOB-YN01V00078R200	247.71	
BOOM LH	YN01V00038F1	YQ03501-	P-UB-14	85 mm	125 mm	KOB-YN01V00052R300	269.20	
	YN01V00038F1	YQ03501-	P-UB-1	85 mm		KOB-YN01V00052R100	75.79	
	YN01V00038F1	YQ03501-	N-N-14		125 mm	KOB-YN01V00052R200	193.42	
BOOM RH	YN01V00037F1	YQ03501-	P-UB-14	85 mm	125 mm	KOB-YN01V00052R300	269.20	

KOBELCO

Replacement Kits For

KOBELCO

Excavators							
APPLICATION	CYL #	SERIAL #	CODE	ROD	BORE	KIT #	List \$
MODEL SK200LC-6							
BOOM RH	YN01V00037F1	YQ03501-	P-UB-1	85 mm		KOB-YN01V00052R100	75.79
	YN01V00037F1	YQ03501-	N-N-14		125 mm	KOB-YN01V00052R200	193.42
BUCKET	YN01V00068F1	YQ03501-	P-UB-14	80 mm	115 mm	KOB-YN01V00068R300	157.12
	YN01V00068F1	YQ03501-	P-UB-1	80 mm		KOB-YN01V00068R100	76.03
	YN01V00068F1	YQ03501-	N-N-14		115 mm	KOB-YN01V00068R200	81.09
BUCKET HD, Dismantle	YN01V00077F1	YQ03501-	P-UB-14	80 mm	115 mm	KOB-YN01V00077R300	157.12
	YN01V00077F1	YQ03501-	P-UB-1	80 mm		KOB-YN01V00068R100	76.03
	YN01V00077F1	YQ03501-	N-N-14		115 mm	KOB-YN01V00068R200	81.09
MODEL SK210 IV							
ARM	2438U1104F1	YNU0501-	P-UB-10	100 mm	145 mm	KOB-2438U1104R500	594.43
	2438U1104F1	YNU0501-	P-UB-1	100 mm		KOB-2438U1104R400	183.38
	2438U1104F1	YNU0501-	N-N-10		145 mm	KOB-2438U1104R200	411.05
	2438U1104F1	YNU0501-	Bushing	100 mm		KOB-2438U1104S4	62.28
BOOM LH	2438U1103F1	YNU0501-	P-UB-10	85 mm	125 mm	KOB-2438U1102R500	435.89
	2438U1103F1	YNU0501-	P-UB-1	85 mm		KOB-2438U1102R600	157.94
	2438U1103F1	YNU0501-	N-N-10		125 mm	KOB-2438U1102R200	277.97
BOOM RH	2438U1102F1	YNU0501-	P-UB-10	85 mm	125 mm	KOB-2438U1102R300	435.89
	2438U1102F1	YNU0501-	P-UB-1	85 mm		KOB-2438U1102R600	157.94
	2438U1102F1	YNU0501-	N-N-10		125 mm	KOB-2438U1102R200	277.97
BUCKET	2438U1105F1	YNU0501-	P-UB-10	80 mm	120 mm	KOB-2438U1105R500	322.18
	2438U1105F1	YNU0501-	P-UB-1	80 mm		KOB-2438U1105R400	148.80
	2438U1105F1	YNU0501-	N-N-10		120 mm	KOB-2438U1105R200	195.48
BUCKET Long Reach	2438U1097F2	YNU0501-	P-UB-1	65 mm		KOB-2438U1097R100	166.04
	2438U1097F2	YNU0501-	N-N-10		95 mm	KOB-2438U1097R200	257.16
MODEL SK210LC							
ARM	2438U1104F1	YQU3101-	P-UB-10	100 mm	145 mm	KOB-2438U1104R500	594.43
	2438U1104F1	YQU3101-	P-UB-1	100 mm		KOB-2438U1104R400	183.38
	2438U1104F1	YQU3101-	N-N-10		145 mm	KOB-2438U1104R200	411.05
	2438U1104F1	YQU3101-	Bushing	100 mm		KOB-2438U1104S4	62.28
	YN01V00039F1	YQ07U0101-	P-UB-14	95 mm	135 mm	KOB-YN01V00039R300	328.10
	YN01V00039F1	YQ07U0101-	P-UB-1	95 mm		KOB-YN01V00003R100	80.41
	YN01V00039F1	YQ07U0101-	N-N-14		135 mm	KOB-YN01V00039R200	247.71
BOOM LH	2438U1103F1	YQU3101-	P-UB-10	85 mm	125 mm	KOB-2438U1102R500	435.89
	2438U1103F1	YQU3101-	P-UB-1	85 mm		KOB-2438U1102R600	157.94
	2438U1103F1	YQU3101-	N-N-10		125 mm	KOB-2438U1102R200	277.97
	YN01V00038F1	YQ07U0101-	P-UB-14	85 mm	125 mm	KOB-YN01V00052R300	269.20
	YN01V00038F1	YQ07U0101-	P-UB-1	85 mm		KOB-YN01V00052R100	75.79
	YN01V00038F1	YQ07U0101-	N-N-14		125 mm	KOB-YN01V00052R200	193.42
BOOM RH	2438U1102F1	YQU3101-	P-UB-10	85 mm	125 mm	KOB-2438U1102R300	435.89
	2438U1102F1	YQU3101-	P-UB-1	85 mm		KOB-2438U1102R600	157.94
	2438U1102F1	YQU3101-	N-N-10		125 mm	KOB-2438U1102R200	277.97
	YN01V00037F1	YQ07U0101-	P-UB-14	85 mm	125 mm	KOB-YN01V00052R300	269.20
	YN01V00037F1	YQ07U0101-	P-UB-1	85 mm		KOB-YN01V00052R100	75.79
	YN01V00037F1	YQ07U0101-	N-N-14		125 mm	KOB-YN01V00052R200	193.42
	YN01V00037F1	YQ07U0101-	N-N-14		125 mm	KOB-YN01V00052R200	193.42
BUCKET	2438U1105F1	YQU3101-	P-UB-10	80 mm	120 mm	KOB-2438U1105R500	322.18
	2438U1105F1	YQU3101-	P-UB-1	80 mm		KOB-2438U1105R400	148.80
	2438U1105F1	YQU3101-	N-N-10		120 mm	KOB-2438U1105R200	195.48
	YN01V00068F1	YQ07U0101-	P-UB-14	80 mm	115 mm	KOB-YN01V00068R300	157.12
	YN01V00068F1	YQ07U0101-	P-UB-1	80 mm		KOB-YN01V00068R100	76.03
	YN01V00068F1	YQ07U0101-	N-N-14		115 mm	KOB-YN01V00068R200	81.09
	YX01V00005F2	YQ07U0101-	P-UB-14	65 mm	95 mm	KOB-YX01V00005R300	133.06
	YX01V00005F2	YQ07U0101-	P-UB-1	65 mm		KOB-YX01V00005R100	96.30
	YX01V00005F2	YQ07U0101-	N-N-14		95 mm	KOB-YX01V00005R200	110.68

KOBELCO

Replacement Kits For

KOBELCO

Excavators							
APPLICATION	CYL #	SERIAL #	CODE	ROD	BORE	KIT #	List \$
MODEL SK210LC							
BUCKET Long Reach	2438U1097F2	YQU3101-	P-UB-1	65 mm		KOB-2438U1097R100	166.04
	2438U1097F2	YQU3101-	N-N-10		95 mm	KOB-2438U1097R200	257.16
MODEL SK210LC-6E							
ARM	YN01V00105F2	YQ08U0969-	P-UB-10	95 mm	135 mm	KOB-YN01V00105R900	508.46
	YN01V00105F2	YQ08U0969-	P-UB-1	95 mm		KOB-YN01V00105R100	183.92
	YN01V00105F2	YQ08U0969-	N-N-10		135 mm	KOB-YN01V00105R800	324.54
	YN01V00132F1	YQ08U0969-	P-UB-10	95 mm	135 mm	KOB-YN01V00105R900	508.46
	YN01V00132F1	YQ08U0969-	P-UB-1	95 mm		KOB-YN01V00105R100	183.92
	YN01V00132F1	YQ08U0969-	N-N-10		135 mm	KOB-YN01V00105R800	324.54
	YN01V00132F4	YQ08U0969-	P-UB-10	95 mm	135 mm	KOB-YN01V00105R900	508.46
	YN01V00132F4	YQ08U0969-	P-UB-1	95 mm		KOB-YN01V00105R100	183.92
BOOM LH	YN01V00104F2	YQ08U0969-	P-UB-10	85 mm	125 mm	KOB-YN01V00103R300	410.31
	YN01V00104F2	YQ08U0969-	P-UB-1	85 mm		KOB-YN01V00103R100	157.51
	YN01V00104F2	YQ08U0969-	N-N-10		125 mm	KOB-YN01V00103R200	252.82
BOOM RH	YN01V00103F2	YQ08U0969-	P-UB-10	85 mm	125 mm	KOB-YN01V00103R300	410.31
	YN01V00103F2	YQ08U0969-	P-UB-1	85 mm		KOB-YN01V00103R100	157.51
	YN01V00103F2	YQ08U0969-	N-N-10		125 mm	KOB-YN01V00103R200	252.82
BUCKET	YN01V00112F5	YQ08U0969-	P-UB-10	80 mm	120 mm	KOB-YN01V00112R900	503.78
	YN01V00112F5	YQ08U0969-	P-UB-1	80 mm		KOB-YN01V00112R100	184.56
	YN01V00112F5	YQ08U0969-	N-N-10		120 mm	KOB-YN01V00112R800	314.61
BUCKET Long Range	YX01V00005F4	YQ08U0969-	P-UB-14	65 mm	95 mm	KOB-YX01V00005R300	133.06
	YX01V00005F4	YQ08U0969-	P-UB-1	65 mm		KOB-YX01V00005R100	96.30
	YX01V00005F4	YQ08U0969-	N-N-14		95 mm	KOB-YX01V00005R200	110.68
MODEL SK210LC-8							
ARM	YN01V00172F1	YQ09U3301-	P-UB-10	95 mm	135 mm	KOB-YN01V00175R300	525.15
	YN01V00172F1	YQ09U3301-	P-UB-1	95 mm		KOB-YN01V00175R100	157.43
	YN01V00172F1	YQ09U3301-	N-N-10		135 mm	KOB-YN01V00175R200	356.44
	YN01V00175F1	YQ09U3301-	P-UB-10	95 mm	135 mm	KOB-YN01V00175R300	525.15
	YN01V00175F1	YQ09U3301-	P-UB-1	95 mm		KOB-YN01V00175R100	157.43
	YN01V00175F1	YQ09U3301-	N-N-10		135 mm	KOB-YN01V00175R200	356.44
	YN01V00175F1	YQ11-C6001-	P-UB-10	95 mm	135 mm	KOB-YN01V00175R300	525.15
	YN01V00175F1	YQ11-C6001-	P-UB-1	95 mm		KOB-YN01V00175R100	157.43
	YN01V00175F1	YQ11-C6001-	N-N-10		135 mm	KOB-YN01V00175R200	356.44
	YN01V00175F2	YQ11-C6001-	P-UB-10	95 mm	135 mm	KOB-YN01V00175R300	525.15
	YN01V00175F2	YQ11-C6001-	P-UB-1	95 mm		KOB-YN01V00175R100	157.43
	YN01V00175F2	YQ11-C6001-	N-N-10		135 mm	KOB-YN01V00175R200	356.44
	YN02B00486F1	YQ12-08001-	P-UB-10	95 mm	135 mm	KOB-YN01V00175R300	525.15
	YN02B00486F1	YQ12-08001-	P-UB-1	95 mm		KOB-YN01V00175R100	157.43
	YN02B00486F1	YQ12-08001-	N-N-10		135 mm	KOB-YN01V00175R200	356.44
	BOOM	YN01V00151F1	YQ09U3301-	P-UB-10	85 mm	120 mm	KOB-YN01V00151R300
YN01V00151F1		YQ09U3301-	P-UB-1	85 mm		KOB-YN01V00151R100	153.50
YN01V00151F1		YQ09U3301-	N-N-10		120 mm	KOB-YN01V00151R600	158.24
YN01V00151F1		YQ11-C6001-	P-UB-10	85 mm	120 mm	KOB-YN01V00151R300	573.03
YN01V00151F1		YQ11-C6001-	P-UB-1	85 mm		KOB-YN01V00151R100	153.50
YN01V00151F1		YQ11-C6001-	N-N-10		120 mm	KOB-YN01V00151R200	156.67
YN02B00405F1		YQ12-08001-	P-UB-10	85 mm	120 mm	KOB-YN01V00151R700	412.38
YN02B00405F1		YQ12-08001-	P-UB-1	85 mm		KOB-YN01V00151R100	153.50
YN02B00405F1		YQ12-08001-	N-N-10		120 mm	KOB-YN01V00151R600	158.24
BUCKET	YN01V00153F1	YQ09U3301-	P-UB-10	80 mm	120 mm	KOB-YN01V00153R300	324.84
	YN01V00153F1	YQ09U3301-	P-UB-1	80 mm		KOB-YN01V00153R100	159.38
	YN01V00153F1	YQ09U3301-	N-N-10		120 mm	KOB-YN01V00151R600	158.24
	YN01V00153F1	YQ11-C6001-	P-UB-10	80 mm	120 mm	KOB-YN01V00153R300	324.84

KOBELCO

Replacement Kits For

KOBELCO

Excavators								
APPLICATION	CYL #	SERIAL #	CODE	ROD	BORE	KIT #	List \$	
MODEL SK210LC-8								
BUCKET	YN01V00153F1	YQ11-C6001-	P-UB-1	80 mm		KOB-YN01V00153R100	159.38	
	YN01V00153F1	YQ11-C6001-	N-N-10		120 mm	KOB-YN01V00151R200	156.67	
	YN01V00153F2	YQ11-C6001-	P-UB-10	80 mm	120 mm	KOB-YN01V00153R300	324.84	
	YN01V00153F2	YQ11-C6001-	P-UB-1	80 mm		KOB-YN01V00153R100	159.38	
	YN01V00153F2	YQ11-C6001-	N-N-10		120 mm	KOB-YN01V00151R200	156.67	
	YN12B00969F1	YQ12-08001-	P-UB-10	80 mm	120 mm	KOB-YN01V00153R300	324.84	
	YN12B00969F1	YQ12-08001-	P-UB-1	80 mm		KOB-YN01V00153R100	159.38	
BUCKET Long Reach	YX01V00005F6	YQ09U3301-	P-UB-14	65 mm	95 mm	KOB-YY01V00005R700	143.61	
	YX01V00005F6	YQ09U3301-	P-UB-1	65 mm		KOB-YY01V00005R600	112.70	
	YX01V00005F6	YQ09U3301-	N-N-14		95 mm	KOB-YX01V00005R200	110.68	
MODEL SK220 III, SK220LC III, SK220 IV, SK220LC IV								
ARM	2438U1137F1	LQU0001-, LLU0601-	P-UB-1	105 mm		KOB-2438U953R100	318.88	
	2438U1137F1	LQU0001-, LLU0601-	N-N-10		150 mm	KOB-2438U953R200	582.44	
BOOM LH	2438U1136F1	LQU0001-, LLU0601-	P-UB-10	90 mm	140 mm	KOB-2438U1135R300	449.53	
	2438U1136F1	LQU0001-, LLU0601-	P-UB-1	90 mm		KOB-2438U999R100	206.90	
BOOM RH	2438U1136F1	LQU0001-, LLU0601-	N-N-10		140 mm	KOB-2438U999R200	398.50	
	2438U1135F1	LQU0001-, LLU0601-	P-UB-10	90 mm	140 mm	KOB-2438U1135R300	449.53	
	2438U1135F1	LQU0001-, LLU0601-	P-UB-1	90 mm		KOB-2438U999R100	206.90	
BUCKET	2438U1135F1	LQU0001-, LLU0601-	N-N-10		140 mm	KOB-2438U999R200	398.50	
	2438U1097F1.F2	LQU0001-, LLU0601-	P-UB-10	65 mm	95 mm	KOB-2438U1097R300	423.19	
	2438U1097F1.F2	LQU0001-, LLU0601-	P-UB-1	65 mm		KOB-2438U1097R100	166.04	
	2438U1097F1.F2	LQU0001-, LLU0601-	N-N-10		95 mm	KOB-2438U1097R200	257.16	
	2438U1138FI	LQU0001-, LLU0601-	P-UB-1	85 mm		KOB-2438U959R100	167.34	
2438U1138FI	LQU0001-, LLU0601-	N-N-10		130 mm	KOB-2438U959R200	374.68		
MODEL SK230-6E								
ARM	LQ01V00012F1	LQC-02001-	P-UB-10	100 mm	140 mm	KOB-LQ01V00007R300	346.07	
	LQ01V00012F1	LQC-02001-	P-UB-1	100 mm		KOB-LQ01V00007R100	141.03	
	LQ01V00012F1	LQC-02001-	N-N-10		140 mm	KOB-LQ01V00007R200	220.68	
	LQ01V00012F2	LQC-02001-	P-UB-10	100 mm	140 mm	KOB-LQ01V00007R300	346.07	
	LQ01V00012F2	LQC-02001-	P-UB-1	100 mm		KOB-LQ01V00007R100	141.03	
	LQ01V00012F2	LQC-02001-	N-N-10		140 mm	KOB-LQ01V00007R200	220.68	
	LQ01V00012F3	LQC-02001-	P-UB-10	100 mm	140 mm	KOB-LQ01V00007R300	346.07	
	LQ01V00012F3	LQC-02001-	P-UB-1	100 mm		KOB-LQ01V00007R100	141.03	
	LQ01V00012F3	LQC-02001-	N-N-10		140 mm	KOB-LQ01V00007R200	220.68	
	LQ01V00012F4	LQC-02001-	P-UB-10	100 mm	140 mm	KOB-LQ01V00007R300	346.07	
	LQ01V00012F4	LQC-02001-	P-UB-1	100 mm		KOB-LQ01V00007R100	141.03	
	LQ01V00012F4	LQC-02001-	N-N-10		140 mm	KOB-LQ01V00007R200	220.68	
	LQ01V00012F5	LQC-02001-	P-UB-10	100 mm	140 mm	KOB-LQ01V00007R300	346.07	
	LQ01V00012F5	LQC-02001-	P-UB-1	100 mm		KOB-LQ01V00007R100	141.03	
	LQ01V00012F5	LQC-02001-	N-N-10		140 mm	KOB-LQ01V00007R200	220.68	
	BOOM LH	LQ01V00011F1	LQC-02001-	P-UB-10	90 mm	135 mm	KOB-LQ01V00005R300	387.82
		LQ01V00011F1	LQC-02001-	P-UB-1	90 mm		KOB-LQ01V00001R400	127.59
LQ01V00011F1		LQC-02001-	N-N-10		135 mm	KOB-LQ01V00001R200	260.22	
LQ01V00011F2		LQC-02001-	P-UB-10	90 mm	135 mm	KOB-LQ01V00005R300	387.82	
LQ01V00011F2		LQC-02001-	P-UB-1	90 mm		KOB-LQ01V00001R400	127.59	
LQ01V00011F2		LQC-02001-	N-N-10		135 mm	KOB-LQ01V00001R200	260.22	
BOOM RH	LQ01V00010F1	LQC-02001-	P-UB-10	90 mm	135 mm	KOB-LQ01V00005R300	387.82	
	LQ01V00010F1	LQC-02001-	P-UB-1	90 mm		KOB-LQ01V00001R400	127.59	
	LQ01V00010F1	LQC-02001-	N-N-10		135 mm	KOB-LQ01V00001R200	260.22	
	LQ01V00010F2	LQC-02001-	P-UB-10	90 mm	135 mm	KOB-LQ01V00005R300	387.82	
	LQ01V00010F2	LQC-02001-	P-UB-1	90 mm		KOB-LQ01V00001R400	127.59	
	LQ01V00010F2	LQC-02001-	N-N-10		135 mm	KOB-LQ01V00001R200	260.22	
BUCKET	LQ01V00013F1	LQC-02001-	P-UB-10	90 mm	125 mm	KOB-YB01V00010R300	364.16	

KOBELCO

Replacement Kits For

KOBELCO

Excavators								
APPLICATION	CYL #	SERIAL #	CODE	ROD	BORE	KIT #	List \$	
MODEL SK230-6E								
BUCKET	LQ01V00013F1	LQC-02001-	P-UB-1	90 mm		KOB-YB01V00010R100	139.89	
	LQ01V00013F1	LQC-02001-	N-N-10		125 mm	KOB-YM01V00008R200	224.27	
	LQ01V00013F2	LQC-02001-	P-UB-10	90 mm	125 mm	KOB-YB01V00010R300	364.16	
	LQ01V00013F2	LQC-02001-	P-UB-1	90 mm		KOB-YB01V00010R100	139.89	
	LQ01V00013F2	LQC-02001-	N-N-10		125 mm	KOB-YM01V00008R200	224.27	
	LQ01V00013F3	LQC-02001-	P-UB-10	90 mm	125 mm	KOB-YB01V00010R300	364.16	
	LQ01V00013F3	LQC-02001-	P-UB-1	90 mm		KOB-YB01V00010R100	139.89	
	LQ01V00013F3	LQC-02001-	N-N-10		125 mm	KOB-YM01V00008R200	224.27	
	LQ01V00013F4	LQC-02001-	P-UB-10	90 mm	125 mm	KOB-YB01V00010R300	364.16	
	LQ01V00013F4	LQC-02001-	P-UB-1	90 mm		KOB-YB01V00010R100	139.89	
	LQ01V00013F4	LQC-02001-	N-N-10		125 mm	KOB-YM01V00008R200	224.27	
	LQ01V00013F5	LQC-02001-	P-UB-10	90 mm	125 mm	KOB-YB01V00010R300	364.16	
	LQ01V00013F5	LQC-02001-	P-UB-1	90 mm		KOB-YB01V00010R100	139.89	
	LQ01V00013F5	LQC-02001-	N-N-10		125 mm	KOB-YM01V00008R200	224.27	
	MODEL SK235SR							
ARM	YN01V00039F1	YF01-00101-	P-UB-14	95 mm	135 mm	KOB-YN01V00039R300	328.10	
	YN01V00039F1	YF01-00101-	P-UB-1	95 mm		KOB-YN01V00003R100	80.41	
	YN01V00039F1	YF01-00101-	N-N-14		135 mm	KOB-YN01V00039R200	247.71	
	YN01V00105F1	YF01-00101-	P-UB-10	95 mm	135 mm	KOB-YN01V00105R300	508.46	
	YN01V00105F1	YF01-00101-	P-UB-1	95 mm		KOB-YN01V00105R100	183.92	
	YN01V00105F1	YF01-00101-	N-N-10		135 mm	KOB-YN01V00105R200	324.54	
	YN01V00105F2	YF01-00101-	P-UB-10	95 mm	135 mm	KOB-YN01V00105R300	508.46	
	YN01V00105F2	YF01-00101-	P-UB-1	95 mm		KOB-YN01V00105R100	183.92	
	YN01V00105F2	YF01-00101-	N-N-10		135 mm	KOB-YN01V00105R200	324.54	
	YN01V00105F3	YF01-00101-	P-UB-10	95 mm	135 mm	KOB-YN01V00105R300	508.46	
	YN01V00105F3	YF01-00101-	P-UB-1	95 mm		KOB-YN01V00105R100	183.92	
	YN01V00105F3	YF01-00101-	N-N-10		135 mm	KOB-YN01V00105R200	324.54	
	ARM HD, Dismantle	YN01V00078F1	YF01-00101-	P-UB-14	95 mm	135 mm	KOB-YN01V00039R300	328.10
		YN01V00078F1	YF01-00101-	P-UB-1	95 mm		KOB-YN01V00003R100	80.41
YN01V00078F1		YF01-00101-	N-N-14		135 mm	KOB-YN01V00039R200	247.71	
BOOM LH	YN01V00053F1	YF01-00101-	P-UB-14	85 mm	125 mm	KOB-YN01V00052R300	269.20	
	YN01V00053F1	YF01-00101-	P-UB-1	85 mm		KOB-YN01V00052R100	75.79	
	YN01V00053F1	YF01-00101-	N-N-14		125 mm	KOB-YN01V00052R200	193.42	
	YN01V00053F2	YF01-00101-	P-UB-14	85 mm	125 mm	KOB-YN01V00052R300	269.20	
	YN01V00053F2	YF01-00101-	P-UB-1	85 mm		KOB-YN01V00052R100	75.79	
	YN01V00053F2	YF01-00101-	N-N-14		125 mm	KOB-YN01V00052R200	193.42	
	YN01V00108F1	YF01-00101-	P-UB-10	85 mm	125 mm	KOB-YN01V00103R300	410.31	
	YN01V00108F1	YF01-00101-	P-UB-1	85 mm		KOB-YN01V00103R100	157.51	
	YN01V00108F1	YF01-00101-	N-N-10		125 mm	KOB-YN01V00103R200	252.82	
	BOOM RH	YN01V00052F1	YF01-00101-	P-UB-14	85 mm	125 mm	KOB-YN01V00052R300	269.20
YN01V00052F1		YF01-00101-	P-UB-1	85 mm		KOB-YN01V00052R100	75.79	
YN01V00052F1		YF01-00101-	N-N-14		125 mm	KOB-YN01V00052R200	193.42	
YN01V00052F2		YF01-00101-	P-UB-14	85 mm	125 mm	KOB-YN01V00052R300	269.20	
YN01V00052F2		YF01-00101-	P-UB-1	85 mm		KOB-YN01V00052R100	75.79	
YN01V00052F2		YF01-00101-	N-N-14		125 mm	KOB-YN01V00052R200	193.42	
YN01V00107F1		YF01-00101-	P-UB-10	85 mm	125 mm	KOB-YN01V00103R300	410.31	
YN01V00107F1		YF01-00101-	P-UB-1	85 mm		KOB-YN01V00103R100	157.51	
YN01V00107F1		YF01-00101-	N-N-10		125 mm	KOB-YN01V00103R200	252.82	
BUCKET		YN01V00068F1	YF01-00101-	P-UB-14	80 mm	115 mm	KOB-YN01V00068R300	157.12
	YN01V00068F1	YF01-00101-	P-UB-1	80 mm		KOB-YN01V00068R100	76.03	
	YN01V00068F1	YF01-00101-	N-N-14		115 mm	KOB-YN01V00068R200	81.09	
	YN01V00106F1	YF01-00101-	P-UB-10	80 mm	115 mm	KOB-YN01V00106R300	362.66	
	YN01V00106F1	YF01-00101-	P-UB-1	80 mm		KOB-YN01V00106R100	154.25	
	YN01V00106F1	YF01-00101-	N-N-10		115 mm	KOB-YN01V00106R200	208.43	

KOBELCO

KOBELCO

Excavators							
APPLICATION	CYL #	SERIAL #	CODE	ROD	BORE	KIT #	List \$
MODEL SK235SR							
BUCKET	YX01V00005F1	YF01-00101-	P-UB-14	65 mm	95 mm	KOB-YX01V00005R300	133.06
	YX01V00005F1	YF01-00101-	P-UB-1	65 mm		KOB-YX01V00005R100	96.30
	YX01V00005F1	YF01-00101-	N-N-14		95 mm	KOB-YX01V00005R200	110.68
	YX01V00005F2	YF01-00101-	P-UB-14	65 mm	95 mm	KOB-YX01V00005R300	133.06
	YX01V00005F2	YF01-00101-	P-UB-1	65 mm		KOB-YX01V00005R100	96.30
	YX01V00005F2	YF01-00101-	N-N-14		95 mm	KOB-YX01V00005R200	110.68
	YX01V00005F3	YF01-00101-	P-UB-14	65 mm	95 mm	KOB-YX01V00005R300	133.06
	YX01V00005F3	YF01-00101-	P-UB-1	65 mm		KOB-YX01V00005R100	96.30
	YX01V00005F3	YF01-00101-	N-N-14		95 mm	KOB-YX01V00005R200	110.68
	YX01V00005F4	YF01-00101-	P-UB-14	65 mm	95 mm	KOB-YX01V00005R300	133.06
	YX01V00005F4	YF01-00101-	P-UB-1	65 mm		KOB-YX01V00005R100	96.30
YX01V00005F4	YF01-00101-	N-N-14		95 mm	KOB-YX01V00005R200	110.68	
MODEL SK235SR-1E							
ARM	YN01V00105F1	YF02-01201-YF02-01299	P-UB-10	95 mm	135 mm	KOB-YN01V00105R900	508.46
	YN01V00105F1	YF02-01201-YF02-01299	P-UB-1	95 mm		KOB-YN01V00105R100	183.92
	YN01V00105F1	YF02-01201-YF02-01299	N-N-10		135 mm	KOB-YN01V00105R800	324.54
	YN01V00105F1	YF03-01300-YF03-01421	P-UB-10	95 mm	135 mm	KOB-YN01V00105R900	508.46
	YN01V00105F1	YF03-01300-YF03-01421	P-UB-1	95 mm		KOB-YN01V00105R100	183.92
	YN01V00105F1	YF03-01300-YF03-01421	N-N-10		135 mm	KOB-YN01V00105R800	324.54
	YN01V00105F2	YF02-01201-YF02-01299	P-UB-10	95 mm	135 mm	KOB-YN01V00105R900	508.46
	YN01V00105F2	YF02-01201-YF02-01299	P-UB-1	95 mm		KOB-YN01V00105R100	183.92
	YN01V00105F2	YF02-01201-YF02-01299	N-N-10		135 mm	KOB-YN01V00105R800	324.54
	YN01V00105F2	YF03-01300-YF03-01421	P-UB-10	95 mm	135 mm	KOB-YN01V00105R900	508.46
	YN01V00105F2	YF03-01300-YF03-01421	P-UB-1	95 mm		KOB-YN01V00105R100	183.92
	YN01V00105F2	YF03-01300-YF03-01421	N-N-10		135 mm	KOB-YN01V00105R800	324.54
	YN01V00105F3	YF02-01201-YF02-01299	P-UB-10	95 mm	135 mm	KOB-YN01V00105R900	508.46
	YN01V00105F3	YF02-01201-YF02-01299	P-UB-1	95 mm		KOB-YN01V00105R100	183.92
	YN01V00105F3	YF02-01201-YF02-01299	N-N-10		135 mm	KOB-YN01V00105R800	324.54
	YN01V00105F3	YF03-01300-YF03-01421	P-UB-10	95 mm	135 mm	KOB-YN01V00105R900	508.46
	YN01V00105F3	YF03-01300-YF03-01421	P-UB-1	95 mm		KOB-YN01V00105R100	183.92
	YN01V00105F3	YF03-01300-YF03-01421	N-N-10		135 mm	KOB-YN01V00105R800	324.54
	YN01V00105F4	YF02-01201-YF02-01299	P-UB-10	95 mm	135 mm	KOB-YN01V00105R900	508.46
	YN01V00105F4	YF02-01201-YF02-01299	P-UB-1	95 mm		KOB-YN01V00105R100	183.92
	YN01V00105F4	YF02-01201-YF02-01299	N-N-10		135 mm	KOB-YN01V00105R800	324.54
	YN01V00105F4	YF03-01300-YF03-01421	P-UB-10	95 mm	135 mm	KOB-YN01V00105R900	508.46
	YN01V00105F4	YF03-01300-YF03-01421	P-UB-1	95 mm		KOB-YN01V00105R100	183.92
	YN01V00105F4	YF03-01300-YF03-01421	N-N-10		135 mm	KOB-YN01V00105R800	324.54
	YN01V00105F5	YF02-01201-YF02-01299	P-UB-10	95 mm	135 mm	KOB-YN01V00105R900	508.46
	YN01V00105F5	YF02-01201-YF02-01299	P-UB-1	95 mm		KOB-YN01V00105R100	183.92
	YN01V00105F5	YF02-01201-YF02-01299	N-N-10		135 mm	KOB-YN01V00105R800	324.54
	YN01V00105F5	YF03-01300-YF03-01421	P-UB-10	95 mm	135 mm	KOB-YN01V00105R900	508.46
	YN01V00105F5	YF03-01300-YF03-01421	P-UB-1	95 mm		KOB-YN01V00105R100	183.92
	YN01V00105F5	YF03-01300-YF03-01421	N-N-10		135 mm	KOB-YN01V00105R800	324.54
	YN01V00105F6	YF02-01201-YF02-01299	P-UB-10	95 mm	135 mm	KOB-YN01V00105R900	508.46
	YN01V00105F6	YF02-01201-YF02-01299	P-UB-1	95 mm		KOB-YN01V00105R100	183.92
	YN01V00105F6	YF02-01201-YF02-01299	N-N-10		135 mm	KOB-YN01V00105R800	324.54
	YN01V00105F6	YF03-01300-YF03-01421	P-UB-10	95 mm	135 mm	KOB-YN01V00105R900	508.46
	YN01V00105F6	YF03-01300-YF03-01421	P-UB-1	95 mm		KOB-YN01V00105R100	183.92
	YN01V00105F6	YF03-01300-YF03-01421	N-N-10		135 mm	KOB-YN01V00105R800	324.54
	YN01V00132F1	YF02-01201-YF02-01299	P-UB-10	95 mm	135 mm	KOB-YN01V00105R900	508.46
	YN01V00132F1	YF02-01201-YF02-01299	P-UB-1	95 mm		KOB-YN01V00105R100	183.92
	YN01V00132F1	YF02-01201-YF02-01299	N-N-10		135 mm	KOB-YN01V00105R800	324.54
	YN01V00132F1	YF03-01300-YF03-01421	P-UB-10	95 mm	135 mm	KOB-YN01V00105R900	508.46
	YN01V00132F1	YF03-01300-YF03-01421	P-UB-1	95 mm		KOB-YN01V00105R100	183.92
YN01V00132F1	YF03-01300-YF03-01421	N-N-10		135 mm	KOB-YN01V00105R800	324.54	

Replacement Kits For

KOBELCO

Excavators							
APPLICATION	CYL #	SERIAL #	CODE	ROD	BORE	KIT #	List \$
MODEL SK235SR-1E							
ARM	YN01V00132F1	YF04-01501-	P-UB-10	95 mm	135 mm	KOB-YN01V00105R900	508.46
	YN01V00132F1	YF04-01501-	P-UB-1	95 mm		KOB-YN01V00105R100	183.92
	YN01V00132F1	YF04-01501-	N-N-10		135 mm	KOB-YN01V00105R800	324.54
	YN01V00132F2	YF02-01201-YF02-01299	P-UB-10	95 mm	135 mm	KOB-YN01V00105R900	508.46
	YN01V00132F2	YF02-01201-YF02-01299	P-UB-1	95 mm		KOB-YN01V00105R100	183.92
	YN01V00132F2	YF02-01201-YF02-01299	N-N-10		135 mm	KOB-YN01V00105R800	324.54
	YN01V00132F2	YF03-01300-YF03-01421	P-UB-10	95 mm	135 mm	KOB-YN01V00105R900	508.46
	YN01V00132F2	YF03-01300-YF03-01421	P-UB-1	95 mm		KOB-YN01V00105R100	183.92
	YN01V00132F2	YF03-01300-YF03-01421	N-N-10		135 mm	KOB-YN01V00105R800	324.54
	YN01V00132F2	YF04-01501-	P-UB-10	95 mm	135 mm	KOB-YN01V00105R900	508.46
	YN01V00132F2	YF04-01501-	P-UB-1	95 mm		KOB-YN01V00105R100	183.92
	YN01V00132F2	YF04-01501-	N-N-10		135 mm	KOB-YN01V00105R800	324.54
	YN01V00132F3	YF02-01201-YF02-01299	P-UB-10	95 mm	135 mm	KOB-YN01V00105R900	508.46
	YN01V00132F3	YF02-01201-YF02-01299	P-UB-1	95 mm		KOB-YN01V00105R100	183.92
	YN01V00132F3	YF02-01201-YF02-01299	N-N-10		135 mm	KOB-YN01V00105R800	324.54
	YN01V00132F3	YF03-01300-YF03-01421	P-UB-10	95 mm	135 mm	KOB-YN01V00105R900	508.46
	YN01V00132F3	YF03-01300-YF03-01421	P-UB-1	95 mm		KOB-YN01V00105R100	183.92
	YN01V00132F3	YF03-01300-YF03-01421	N-N-10		135 mm	KOB-YN01V00105R800	324.54
	YN01V00132F3	YF04-01501-	P-UB-10	95 mm	135 mm	KOB-YN01V00105R900	508.46
	YN01V00132F3	YF04-01501-	P-UB-1	95 mm		KOB-YN01V00105R100	183.92
	YN01V00132F3	YF04-01501-	N-N-10		135 mm	KOB-YN01V00105R800	324.54
	YN01V00132F4	YF02-01201-YF02-01299	P-UB-10	95 mm	135 mm	KOB-YN01V00105R900	508.46
	YN01V00132F4	YF02-01201-YF02-01299	P-UB-1	95 mm		KOB-YN01V00105R100	183.92
	YN01V00132F4	YF02-01201-YF02-01299	N-N-10		135 mm	KOB-YN01V00105R800	324.54
	YN01V00132F4	YF03-01300-YF03-01421	P-UB-10	95 mm	135 mm	KOB-YN01V00105R900	508.46
	YN01V00132F4	YF03-01300-YF03-01421	P-UB-1	95 mm		KOB-YN01V00105R100	183.92
	YN01V00132F4	YF03-01300-YF03-01421	N-N-10		135 mm	KOB-YN01V00105R800	324.54
	YN01V00132F4	YF04-01501-	P-UB-10	95 mm	135 mm	KOB-YN01V00105R900	508.46
	YN01V00132F4	YF04-01501-	P-UB-1	95 mm		KOB-YN01V00105R100	183.92
	YN01V00132F4	YF04-01501-	N-N-10		135 mm	KOB-YN01V00105R800	324.54
	YN01V00132F5	YF02-01201-YF02-01299	P-UB-10	95 mm	135 mm	KOB-YN01V00105R900	508.46
	YN01V00132F5	YF02-01201-YF02-01299	P-UB-1	95 mm		KOB-YN01V00105R100	183.92
	YN01V00132F5	YF02-01201-YF02-01299	N-N-10		135 mm	KOB-YN01V00105R800	324.54
	YN01V00132F5	YF03-01300-YF03-01421	P-UB-10	95 mm	135 mm	KOB-YN01V00105R900	508.46
	YN01V00132F5	YF03-01300-YF03-01421	P-UB-1	95 mm		KOB-YN01V00105R100	183.92
	YN01V00132F5	YF03-01300-YF03-01421	N-N-10		135 mm	KOB-YN01V00105R800	324.54
YN01V00132F5	YF04-01501-	P-UB-10	95 mm	135 mm	KOB-YN01V00105R900	508.46	
YN01V00132F5	YF04-01501-	P-UB-1	95 mm		KOB-YN01V00105R100	183.92	
YN01V00132F5	YF04-01501-	N-N-10		135 mm	KOB-YN01V00105R800	324.54	
BOOM LH	YN01V00108F1	YF02-01201-YF02-01299	P-UB-10	85 mm	125 mm	KOB-YN01V00103R900	410.31
	YN01V00108F1	YF02-01201-YF02-01299	P-UB-1	85 mm		KOB-YN01V00103R100	157.51
	YN01V00108F1	YF02-01201-YF02-01299	N-N-10		125 mm	KOB-YN01V00103R800	252.82
	YN01V00108F1	YF03-01300-YF03-01421	P-UB-10	85 mm	125 mm	KOB-YN01V00103R900	410.31
	YN01V00108F1	YF03-01300-YF03-01421	P-UB-1	85 mm		KOB-YN01V00103R100	157.51
	YN01V00108F1	YF03-01300-YF03-01421	N-N-10		125 mm	KOB-YN01V00103R800	252.82
	YN01V00108F1	YF04-01501-	P-UB-10	85 mm	125 mm	KOB-YN01V00103R900	410.31
	YN01V00108F1	YF04-01501-	P-UB-1	85 mm		KOB-YN01V00103R100	157.51
	YN01V00108F1	YF04-01501-	N-N-10		125 mm	KOB-YN01V00103R800	252.82
	YN01V00108F2	YF02-01201-YF02-01299	P-UB-10	85 mm	125 mm	KOB-YN01V00103R900	410.31
	YN01V00108F2	YF02-01201-YF02-01299	P-UB-1	85 mm		KOB-YN01V00103R100	157.51
	YN01V00108F2	YF02-01201-YF02-01299	N-N-10		125 mm	KOB-YN01V00103R800	252.82
	YN01V00108F2	YF03-01300-YF03-01421	P-UB-10	85 mm	125 mm	KOB-YN01V00103R900	410.31
	YN01V00108F2	YF03-01300-YF03-01421	P-UB-1	85 mm		KOB-YN01V00103R100	157.51
	YN01V00108F2	YF03-01300-YF03-01421	N-N-10		125 mm	KOB-YN01V00103R800	252.82
	YN01V00108F2	YF04-01501-	P-UB-10	85 mm	125 mm	KOB-YN01V00103R900	410.31

KOBELCO

Replacement Kits For

KOBELCO

Excavators								
APPLICATION	CYL #	SERIAL #	CODE	ROD	BORE	KIT #	List \$	
MODEL SK235SR-1E								
BOOM LH	YN01V00108F2	YF04-01501-	P-UB-1	85 mm		KOB-YN01V00103R100	157.51	
	YN01V00108F2	YF04-01501-	N-N-10		125 mm	KOB-YN01V00103R800	252.82	
	YN01V00108F3	YF02-01201-YF02-01299	P-UB-10	85 mm	125 mm	KOB-YN01V00103R900	410.31	
	YN01V00108F3	YF02-01201-YF02-01299	P-UB-1	85 mm		KOB-YN01V00103R100	157.51	
	YN01V00108F3	YF02-01201-YF02-01299	N-N-10		125 mm	KOB-YN01V00103R800	252.82	
	YN01V00108F3	YF03-01300-YF03-01421	P-UB-10	85 mm	125 mm	KOB-YN01V00103R900	410.31	
	YN01V00108F3	YF03-01300-YF03-01421	P-UB-1	85 mm		KOB-YN01V00103R100	157.51	
	YN01V00108F3	YF03-01300-YF03-01421	N-N-10		125 mm	KOB-YN01V00103R800	252.82	
	YN01V00108F3	YF04-01501-	P-UB-10	85 mm	125 mm	KOB-YN01V00103R900	410.31	
	YN01V00108F3	YF04-01501-	P-UB-1	85 mm		KOB-YN01V00103R100	157.51	
	YN01V00108F3	YF04-01501-	N-N-10		125 mm	KOB-YN01V00103R800	252.82	
	BOOM RH	YN01V00107F1	YF02-01201-YF02-01299	P-UB-10	85 mm	125 mm	KOB-YN01V00103R900	410.31
		YN01V00107F1	YF02-01201-YF02-01299	P-UB-1	85 mm		KOB-YN01V00103R100	157.51
YN01V00107F1		YF02-01201-YF02-01299	N-N-10		125 mm	KOB-YN01V00103R800	252.82	
YN01V00107F1		YF03-01300-YF03-01421	P-UB-10	85 mm	125 mm	KOB-YN01V00103R900	410.31	
YN01V00107F1		YF03-01300-YF03-01421	P-UB-1	85 mm		KOB-YN01V00103R100	157.51	
YN01V00107F1		YF03-01300-YF03-01421	N-N-10		125 mm	KOB-YN01V00103R800	252.82	
YN01V00107F1		YF04-01501-	P-UB-10	85 mm	125 mm	KOB-YN01V00103R900	410.31	
YN01V00107F1		YF04-01501-	P-UB-1	85 mm		KOB-YN01V00103R100	157.51	
YN01V00107F1		YF04-01501-	N-N-10		125 mm	KOB-YN01V00103R800	252.82	
YN01V00107F2		YF02-01201-YF02-01299	P-UB-10	85 mm	125 mm	KOB-YN01V00103R900	410.31	
YN01V00107F2		YF02-01201-YF02-01299	P-UB-1	85 mm		KOB-YN01V00103R100	157.51	
YN01V00107F2		YF02-01201-YF02-01299	N-N-10		125 mm	KOB-YN01V00103R800	252.82	
YN01V00107F2		YF03-01300-YF03-01421	P-UB-10	85 mm	125 mm	KOB-YN01V00103R900	410.31	
YN01V00107F2		YF03-01300-YF03-01421	P-UB-1	85 mm		KOB-YN01V00103R100	157.51	
YN01V00107F2		YF03-01300-YF03-01421	N-N-10		125 mm	KOB-YN01V00103R800	252.82	
YN01V00107F2		YF04-01501-	P-UB-10	85 mm	125 mm	KOB-YN01V00103R900	410.31	
YN01V00107F2		YF04-01501-	P-UB-1	85 mm		KOB-YN01V00103R100	157.51	
YN01V00107F2		YF04-01501-	N-N-10		125 mm	KOB-YN01V00103R800	252.82	
YN01V00107F3		YF02-01201-YF02-01299	P-UB-10	85 mm	125 mm	KOB-YN01V00103R900	410.31	
YN01V00107F3		YF02-01201-YF02-01299	P-UB-1	85 mm		KOB-YN01V00103R100	157.51	
YN01V00107F3		YF02-01201-YF02-01299	N-N-10		125 mm	KOB-YN01V00103R800	252.82	
YN01V00107F3		YF03-01300-YF03-01421	P-UB-10	85 mm	125 mm	KOB-YN01V00103R900	410.31	
YN01V00107F3		YF03-01300-YF03-01421	P-UB-1	85 mm		KOB-YN01V00103R100	157.51	
YN01V00107F3		YF03-01300-YF03-01421	N-N-10		125 mm	KOB-YN01V00103R800	252.82	
YN01V00107F3		YF04-01501-	P-UB-10	85 mm	125 mm	KOB-YN01V00103R900	410.31	
YN01V00107F3		YF04-01501-	P-UB-1	85 mm		KOB-YN01V00103R100	157.51	
YN01V00107F3		YF04-01501-	N-N-10		125 mm	KOB-YN01V00103R800	252.82	
BUCKET		YN01V00112F1	YF02-01201-YF02-01299	P-UB-10	80 mm	120 mm	KOB-YN01V00112R900	503.78
		YN01V00112F1	YF02-01201-YF02-01299	P-UB-1	80 mm		KOB-YN01V00112R100	184.56
		YN01V00112F1	YF02-01201-YF02-01299	N-N-10		120 mm	KOB-YN01V00112R800	314.61
		YN01V00112F1	YF03-01300-YF03-01421	P-UB-10	80 mm	120 mm	KOB-YN01V00112R900	503.78
		YN01V00112F1	YF03-01300-YF03-01421	P-UB-1	80 mm		KOB-YN01V00112R100	184.56
	YN01V00112F1	YF03-01300-YF03-01421	N-N-10		120 mm	KOB-YN01V00112R800	314.61	
	YN01V00112F1	YF04-01501-	P-UB-10	80 mm	120 mm	KOB-YN01V00112R900	503.78	
	YN01V00112F1	YF04-01501-	P-UB-1	80 mm		KOB-YN01V00112R100	184.56	
	YN01V00112F1	YF04-01501-	N-N-10		120 mm	KOB-YN01V00112R800	314.61	
	YN01V00112F2	YF02-01201-YF02-01299	P-UB-10	80 mm	120 mm	KOB-YN01V00112R900	503.78	
	YN01V00112F2	YF02-01201-YF02-01299	P-UB-1	80 mm		KOB-YN01V00112R100	184.56	
	YN01V00112F2	YF02-01201-YF02-01299	N-N-10		120 mm	KOB-YN01V00112R800	314.61	
	YN01V00112F2	YF03-01300-YF03-01421	P-UB-10	80 mm	120 mm	KOB-YN01V00112R900	503.78	
	YN01V00112F2	YF03-01300-YF03-01421	P-UB-1	80 mm		KOB-YN01V00112R100	184.56	
	YN01V00112F2	YF03-01300-YF03-01421	N-N-10		120 mm	KOB-YN01V00112R800	314.61	
	YN01V00112F2	YF04-01501-	P-UB-10	80 mm	120 mm	KOB-YN01V00112R900	503.78	
	YN01V00112F2	YF04-01501-	P-UB-1	80 mm		KOB-YN01V00112R100	184.56	

Replacement Kits For

KOBELCO

Excavators							
APPLICATION	CYL #	SERIAL #	CODE	ROD	BORE	KIT #	List \$
MODEL SK235SR-1E							
BUCKET	YN01V00112F2	YF04-01501-	N-N-10		120 mm	KOB-YN01V00112R800	314.61
	YN01V00112F3	YF02-01201-YF02-01299	P-UB-10	80 mm	120 mm	KOB-YN01V00112R900	503.78
	YN01V00112F3	YF02-01201-YF02-01299	P-UB-1	80 mm		KOB-YN01V00112R100	184.56
	YN01V00112F3	YF02-01201-YF02-01299	N-N-10		120 mm	KOB-YN01V00112R800	314.61
	YN01V00112F3	YF03-01300-YF03-01421	P-UB-10	80 mm	120 mm	KOB-YN01V00112R900	503.78
	YN01V00112F3	YF03-01300-YF03-01421	P-UB-1	80 mm		KOB-YN01V00112R100	184.56
	YN01V00112F3	YF03-01300-YF03-01421	N-N-10		120 mm	KOB-YN01V00112R800	314.61
	YN01V00112F3	YF04-01501-	P-UB-10	80 mm	120 mm	KOB-YN01V00112R900	503.78
	YN01V00112F3	YF04-01501-	P-UB-1	80 mm		KOB-YN01V00112R100	184.56
	YN01V00112F3	YF04-01501-	N-N-10		120 mm	KOB-YN01V00112R800	314.61
	YN01V00112F4	YF02-01201-YF02-01299	P-UB-10	80 mm	120 mm	KOB-YN01V00112R900	503.78
	YN01V00112F4	YF02-01201-YF02-01299	P-UB-1	80 mm		KOB-YN01V00112R100	184.56
	YN01V00112F4	YF02-01201-YF02-01299	N-N-10		120 mm	KOB-YN01V00112R800	314.61
	YN01V00112F4	YF03-01300-YF03-01421	P-UB-10	80 mm	120 mm	KOB-YN01V00112R900	503.78
	YN01V00112F4	YF03-01300-YF03-01421	P-UB-1	80 mm		KOB-YN01V00112R100	184.56
	YN01V00112F4	YF03-01300-YF03-01421	N-N-10		120 mm	KOB-YN01V00112R800	314.61
	YN01V00112F4	YF04-01501-	P-UB-10	80 mm	120 mm	KOB-YN01V00112R900	503.78
	YN01V00112F4	YF04-01501-	P-UB-1	80 mm		KOB-YN01V00112R100	184.56
	YN01V00112F4	YF04-01501-	N-N-10		120 mm	KOB-YN01V00112R800	314.61
	YN01V00112F5	YF04-01501-	P-UB-10	80 mm	120 mm	KOB-YN01V00112R900	503.78
YN01V00112F5	YF04-01501-	P-UB-1	80 mm		KOB-YN01V00112R100	184.56	
YN01V00112F5	YF04-01501-	N-N-10		120 mm	KOB-YN01V00112R800	314.61	
MODEL SK235SR-1ES							
ARM	YN01V00132F1	YF04-01501-	P-UB-10	95 mm	135 mm	KOB-YN01V00105R900	508.46
	YN01V00132F1	YF04-01501-	P-UB-1	95 mm		KOB-YN01V00105R100	183.92
	YN01V00132F1	YF04-01501-	N-N-10		135 mm	KOB-YN01V00105R800	324.54
	YN01V00132F2	YF04-01501-	P-UB-10	95 mm	135 mm	KOB-YN01V00105R900	508.46
	YN01V00132F2	YF04-01501-	P-UB-1	95 mm		KOB-YN01V00105R100	183.92
	YN01V00132F2	YF04-01501-	N-N-10		135 mm	KOB-YN01V00105R800	324.54
	YN01V00132F3	YF04-01501-	P-UB-10	95 mm	135 mm	KOB-YN01V00105R900	508.46
	YN01V00132F3	YF04-01501-	P-UB-1	95 mm		KOB-YN01V00105R100	183.92
	YN01V00132F3	YF04-01501-	N-N-10		135 mm	KOB-YN01V00105R800	324.54
	YN01V00132F4	YF04-01501-	P-UB-10	95 mm	135 mm	KOB-YN01V00105R900	508.46
	YN01V00132F4	YF04-01501-	P-UB-1	95 mm		KOB-YN01V00105R100	183.92
	YN01V00132F4	YF04-01501-	N-N-10		135 mm	KOB-YN01V00105R800	324.54
	YN01V00132F5	YF04-01501-	P-UB-10	95 mm	135 mm	KOB-YN01V00105R900	508.46
	YN01V00132F5	YF04-01501-	P-UB-1	95 mm		KOB-YN01V00105R100	183.92
	YN01V00132F5	YF04-01501-	N-N-10		135 mm	KOB-YN01V00105R800	324.54
	BOOM LH	YN01V00108F1	YF04-01501-	P-UB-10	85 mm	125 mm	KOB-YN01V00103R900
YN01V00108F1		YF04-01501-	P-UB-1	85 mm		KOB-YN01V00103R100	157.51
YN01V00108F1		YF04-01501-	N-N-10		125 mm	KOB-YN01V00103R800	252.82
YN01V00108F2		YF04-01501-	P-UB-10	85 mm	125 mm	KOB-YN01V00103R900	410.31
YN01V00108F2		YF04-01501-	P-UB-1	85 mm		KOB-YN01V00103R100	157.51
YN01V00108F2		YF04-01501-	N-N-10		125 mm	KOB-YN01V00103R800	252.82
YN01V00108F3		YF04-01501-	P-UB-10	85 mm	125 mm	KOB-YN01V00103R900	410.31
YN01V00108F3		YF04-01501-	P-UB-1	85 mm		KOB-YN01V00103R100	157.51
YN01V00108F3		YF04-01501-	N-N-10		125 mm	KOB-YN01V00103R800	252.82
BOOM RH	YN01V00107F1	YF04-01501-	P-UB-10	85 mm	125 mm	KOB-YN01V00103R900	410.31
	YN01V00107F1	YF04-01501-	P-UB-1	85 mm		KOB-YN01V00103R100	157.51
	YN01V00107F1	YF04-01501-	N-N-10		125 mm	KOB-YN01V00103R800	252.82
	YN01V00107F2	YF04-01501-	P-UB-10	85 mm	125 mm	KOB-YN01V00103R900	410.31
	YN01V00107F2	YF04-01501-	P-UB-1	85 mm		KOB-YN01V00103R100	157.51
	YN01V00107F2	YF04-01501-	N-N-10		125 mm	KOB-YN01V00103R800	252.82
	YN01V00107F3	YF04-01501-	P-UB-10	85 mm	125 mm	KOB-YN01V00103R900	410.31
YN01V00107F3	YF04-01501-	P-UB-1	85 mm		KOB-YN01V00103R100	157.51	

KOBELCO

KOBELCO

Replacement Kits For

Excavators								
APPLICATION	CYL #	SERIAL #	CODE	ROD	BORE	KIT #	List \$	
MODEL SK235SR-1ES								
BOOM RH	YN01V00107F3	YF04-01501-	N-N-10		125 mm	KOB-YN01V00103R800	252.82	
BUCKET	YN01V00112F1	YF04-01501-	P-UB-10	80 mm	120 mm	KOB-YN01V00112R900	503.78	
	YN01V00112F1	YF04-01501-	P-UB-1	80 mm		KOB-YN01V00112R100	184.56	
	YN01V00112F1	YF04-01501-	N-N-10		120 mm	KOB-YN01V00112R800	314.61	
	YN01V00112F2	YF04-01501-	P-UB-10	80 mm	120 mm	KOB-YN01V00112R900	503.78	
	YN01V00112F2	YF04-01501-	P-UB-1	80 mm		KOB-YN01V00112R100	184.56	
	YN01V00112F2	YF04-01501-	N-N-10		120 mm	KOB-YN01V00112R800	314.61	
	YN01V00112F3	YF04-01501-	P-UB-10	80 mm	120 mm	KOB-YN01V00112R900	503.78	
	YN01V00112F3	YF04-01501-	P-UB-1	80 mm		KOB-YN01V00112R100	184.56	
	YN01V00112F3	YF04-01501-	N-N-10		120 mm	KOB-YN01V00112R800	314.61	
	YN01V00112F4	YF04-01501-	P-UB-10	80 mm	120 mm	KOB-YN01V00112R900	503.78	
	YN01V00112F4	YF04-01501-	P-UB-1	80 mm		KOB-YN01V00112R100	184.56	
	YN01V00112F4	YF04-01501-	N-N-10		120 mm	KOB-YN01V00112R800	314.61	
	YN01V00112F5	YF04-01501-	P-UB-10	80 mm	120 mm	KOB-YN01V00112R900	503.78	
	YN01V00112F5	YF04-01501-	P-UB-1	80 mm		KOB-YN01V00112R100	184.56	
	YN01V00112F5	YF04-01501-	N-N-10		120 mm	KOB-YN01V00112R800	314.61	
MODEL SK235SR-2								
ARM	YN01V00175F1	YF05-02001-	P-UB-10	95 mm	135 mm	KOB-YN01V00175R300	525.15	
	YN01V00175F1	YF05-02001-	P-UB-1	95 mm		KOB-YN01V00175R100	157.43	
	YN01V00175F1	YF05-02001-	N-N-10		135 mm	KOB-YN01V00175R200	356.44	
	YN01V00175F2	YF05-02001-	P-UB-10	95 mm	135 mm	KOB-YN01V00175R300	525.15	
	YN01V00175F2	YF05-02001-	P-UB-1	95 mm		KOB-YN01V00175R100	157.43	
	YN01V00175F2	YF05-02001-	N-N-10		135 mm	KOB-YN01V00175R200	356.44	
BOOM	YF01V00001F1	YF05-02001-	P-UB-10	85 mm	125 mm	KOB-YF01V00001R300	429.74	
	YF01V00001F1	YF05-02001-	P-UB-1	85 mm		KOB-LQ01V00003R100	128.43	
	YF01V00001F1	YF05-02001-	N-N-10		125 mm	KOB-YF01V00001R200	301.31	
BUCKET	YN01V00153F1	YF05-02001-	P-UB-10	80 mm	120 mm	KOB-YN01V00153R300	324.84	
	YN01V00153F1	YF05-02001-	P-UB-1	80 mm		KOB-YN01V00153R100	159.38	
	YN01V00153F1	YF05-02001-	N-N-10		120 mm	KOB-YN01V00151R600	158.24	
	YN01V00153F2	YF05-02001-	P-UB-10	80 mm	120 mm	KOB-YN01V00153R300	324.84	
	YN01V00153F2	YF05-02001-	P-UB-1	80 mm		KOB-YN01V00153R100	159.38	
	YN01V00153F2	YF05-02001-	N-N-10		120 mm	KOB-YN01V00151R600	158.24	
MODEL SK235SRLC								
ARM	YN01V00039F1	YU01-00101-	P-UB-14	95 mm	135 mm	KOB-YN01V00039R300	328.10	
	YN01V00039F1	YU01-00101-	P-UB-1	95 mm		KOB-YN01V00003R100	80.41	
	YN01V00039F1	YU01-00101-	N-N-14		135 mm	KOB-YN01V00039R200	247.71	
	YN01V00078F1	YU01-00101-	P-UB-14	95 mm	135 mm	KOB-YN01V00039R300	328.10	
	YN01V00078F1	YU01-00101-	P-UB-1	95 mm		KOB-YN01V00003R100	80.41	
	YN01V00078F1	YU01-00101-	N-N-14		135 mm	KOB-YN01V00039R200	247.71	
	YN01V00105F1	YU01-00101-	P-UB-10	95 mm	135 mm	KOB-YN01V00105R300	508.46	
	YN01V00105F1	YU01-00101-	P-UB-1	95 mm		KOB-YN01V00105R100	183.92	
	YN01V00105F1	YU01-00101-	N-N-10		135 mm	KOB-YN01V00105R200	324.54	
	YN01V00105F2	YU01-00101-	P-UB-10	95 mm	135 mm	KOB-YN01V00105R300	508.46	
	YN01V00105F2	YU01-00101-	P-UB-1	95 mm		KOB-YN01V00105R100	183.92	
	YN01V00105F2	YU01-00101-	N-N-10		135 mm	KOB-YN01V00105R200	324.54	
	YN01V00105F3	YU01-00101-	P-UB-10	95 mm	135 mm	KOB-YN01V00105R300	508.46	
	YN01V00105F3	YU01-00101-	P-UB-1	95 mm		KOB-YN01V00105R100	183.92	
	YN01V00105F3	YU01-00101-	N-N-10		135 mm	KOB-YN01V00105R200	324.54	
	BOOM LH	YN01V00053F1	YU01-00101-	P-UB-14	85 mm	125 mm	KOB-YN01V00052R300	269.20
		YN01V00053F1	YU01-00101-	P-UB-1	85 mm		KOB-YN01V00052R100	75.79
		YN01V00053F1	YU01-00101-	N-N-14		125 mm	KOB-YN01V00052R200	193.42
YN01V00053F2		YU01-00101-	P-UB-14	85 mm	125 mm	KOB-YN01V00052R300	269.20	
YN01V00053F2		YU01-00101-	P-UB-1	85 mm		KOB-YN01V00052R100	75.79	
YN01V00053F2		YU01-00101-	N-N-14		125 mm	KOB-YN01V00052R200	193.42	
YN01V00108F1	YU01-00101-	P-UB-10	85 mm	125 mm	KOB-YN01V00103R300	410.31		

Replacement Kits For

KOBELCO

Excavators							
APPLICATION	CYL #	SERIAL #	CODE	ROD	BORE	KIT #	List \$
MODEL SK235SRLC							
BOOM LH	YN01V00108F1	YU01-00101-	P-UB-1	85 mm		KOB-YN01V00103R100	157.51
	YN01V00108F1	YU01-00101-	N-N-10		125 mm	KOB-YN01V00103R200	252.82
BOOM RH	YN01V00052F1	YU01-00101-	P-UB-14	85 mm	125 mm	KOB-YN01V00052R300	269.20
	YN01V00052F1	YU01-00101-	P-UB-1	85 mm		KOB-YN01V00052R100	75.79
	YN01V00052F1	YU01-00101-	N-N-14		125 mm	KOB-YN01V00052R200	193.42
	YN01V00052F2	YU01-00101-	P-UB-14	85 mm	125 mm	KOB-YN01V00052R300	269.20
	YN01V00052F2	YU01-00101-	P-UB-1	85 mm		KOB-YN01V00052R100	75.79
	YN01V00052F2	YU01-00101-	N-N-14		125 mm	KOB-YN01V00052R200	193.42
	YN01V00107F1	YU01-00101-	P-UB-10	85 mm	125 mm	KOB-YN01V00103R300	410.31
	YN01V00107F1	YU01-00101-	P-UB-1	85 mm		KOB-YN01V00103R100	157.51
BUCKET	YN01V00068F1	YU01-00101-	N-N-10		125 mm	KOB-YN01V00103R200	252.82
	YN01V00068F1	YU01-00101-	P-UB-14	80 mm	115 mm	KOB-YN01V00068R300	157.12
	YN01V00068F1	YU01-00101-	P-UB-1	80 mm		KOB-YN01V00068R100	76.03
	YN01V00068F1	YU01-00101-	N-N-14		115 mm	KOB-YN01V00068R200	81.09
	YN01V00106F1	YU01-00101-	P-UB-10	80 mm	115 mm	KOB-YN01V00106R300	362.66
	YN01V00106F1	YU01-00101-	P-UB-1	80 mm		KOB-YN01V00106R100	154.25
	YN01V00106F1	YU01-00101-	N-N-10		115 mm	KOB-YN01V00106R200	208.43
	YX01V00005F1	YU01-00101-	P-UB-14	65 mm	95 mm	KOB-YX01V00005R300	133.06
	YX01V00005F1	YU01-00101-	P-UB-1	65 mm		KOB-YX01V00005R100	96.30
	YX01V00005F1	YU01-00101-	N-N-14		95 mm	KOB-YX01V00005R200	110.68
	YX01V00005F2	YU01-00101-	P-UB-14	65 mm	95 mm	KOB-YX01V00005R300	133.06
	YX01V00005F2	YU01-00101-	P-UB-1	65 mm		KOB-YX01V00005R100	96.30
	YX01V00005F2	YU01-00101-	N-N-14		95 mm	KOB-YX01V00005R200	110.68
	YX01V00005F3	YU01-00101-	P-UB-14	65 mm	95 mm	KOB-YX01V00005R300	133.06
	YX01V00005F3	YU01-00101-	P-UB-1	65 mm		KOB-YX01V00005R100	96.30
	YX01V00005F3	YU01-00101-	N-N-14		95 mm	KOB-YX01V00005R200	110.68
	YX01V00005F4	YU01-00101-	P-UB-14	65 mm	95 mm	KOB-YX01V00005R300	133.06
	YX01V00005F4	YU01-00101-	P-UB-1	65 mm		KOB-YX01V00005R100	96.30
	YX01V00005F4	YU01-00101-	N-N-14		95 mm	KOB-YX01V00005R200	110.68
	MODEL SK235SRLC-1E						
ARM	YN01V00105F1	YU02-00501-YU02-00647	P-UB-10	95 mm	135 mm	KOB-YN01V00105R900	508.46
	YN01V00105F1	YU02-00501-YU02-00647	P-UB-1	95 mm		KOB-YN01V00105R100	183.92
	YN01V00105F1	YU02-00501-YU02-00647	N-N-10		135 mm	KOB-YN01V00105R800	324.54
	YN01V00105F1	YU03-00648-YU03-00770	P-UB-10	95 mm	135 mm	KOB-YN01V00105R900	508.46
	YN01V00105F1	YU03-00648-YU03-00770	P-UB-1	95 mm		KOB-YN01V00105R100	183.92
	YN01V00105F1	YU03-00648-YU03-00770	N-N-10		135 mm	KOB-YN01V00105R800	324.54
	YN01V00105F2	YU02-00501-YU02-00647	P-UB-10	95 mm	135 mm	KOB-YN01V00105R900	508.46
	YN01V00105F2	YU02-00501-YU02-00647	P-UB-1	95 mm		KOB-YN01V00105R100	183.92
	YN01V00105F2	YU02-00501-YU02-00647	N-N-10		135 mm	KOB-YN01V00105R800	324.54
	YN01V00105F2	YU03-00648-YU03-00770	P-UB-10	95 mm	135 mm	KOB-YN01V00105R900	508.46
	YN01V00105F2	YU03-00648-YU03-00770	P-UB-1	95 mm		KOB-YN01V00105R100	183.92
	YN01V00105F2	YU03-00648-YU03-00770	N-N-10		135 mm	KOB-YN01V00105R800	324.54
	YN01V00105F3	YU02-00501-YU02-00647	P-UB-10	95 mm	135 mm	KOB-YN01V00105R900	508.46
	YN01V00105F3	YU02-00501-YU02-00647	P-UB-1	95 mm		KOB-YN01V00105R100	183.92
	YN01V00105F3	YU02-00501-YU02-00647	N-N-10		135 mm	KOB-YN01V00105R800	324.54
	YN01V00105F3	YU03-00648-YU03-00770	P-UB-10	95 mm	135 mm	KOB-YN01V00105R900	508.46
	YN01V00105F3	YU03-00648-YU03-00770	P-UB-1	95 mm		KOB-YN01V00105R100	183.92
	YN01V00105F3	YU03-00648-YU03-00770	N-N-10		135 mm	KOB-YN01V00105R800	324.54
	YN01V00105F4	YU02-00501-YU02-00647	P-UB-10	95 mm	135 mm	KOB-YN01V00105R900	508.46
	YN01V00105F4	YU02-00501-YU02-00647	P-UB-1	95 mm		KOB-YN01V00105R100	183.92
	YN01V00105F4	YU02-00501-YU02-00647	N-N-10		135 mm	KOB-YN01V00105R800	324.54
	YN01V00105F4	YU03-00648-YU03-00770	P-UB-10	95 mm	135 mm	KOB-YN01V00105R900	508.46
	YN01V00105F4	YU03-00648-YU03-00770	P-UB-1	95 mm		KOB-YN01V00105R100	183.92
	YN01V00105F4	YU03-00648-YU03-00770	N-N-10		135 mm	KOB-YN01V00105R800	324.54
	YN01V00105F5	YU02-00501-YU02-00647	P-UB-10	95 mm	135 mm	KOB-YN01V00105R900	508.46

Replacement Kits For

KOBELCO

Excavators							
APPLICATION	CYL #	SERIAL #	CODE	ROD	BORE	KIT #	List \$
MODEL	SK235SR1C-1E						
ARM	YN01V00105F5	YU02-00501-YU02-00647	P-UB-1	95 mm		KOB-YN01V00105R100	183.92
	YN01V00105F5	YU02-00501-YU02-00647	N-N-10		135 mm	KOB-YN01V00105R800	324.54
	YN01V00105F5	YU03-00648-YU03-00770	P-UB-10	95 mm	135 mm	KOB-YN01V00105R900	508.46
	YN01V00105F5	YU03-00648-YU03-00770	P-UB-1	95 mm		KOB-YN01V00105R100	183.92
	YN01V00105F5	YU03-00648-YU03-00770	N-N-10		135 mm	KOB-YN01V00105R800	324.54
	YN01V00105F6	YU02-00501-YU02-00647	P-UB-10	95 mm	135 mm	KOB-YN01V00105R900	508.46
	YN01V00105F6	YU02-00501-YU02-00647	P-UB-1	95 mm		KOB-YN01V00105R100	183.92
	YN01V00105F6	YU02-00501-YU02-00647	N-N-10		135 mm	KOB-YN01V00105R800	324.54
	YN01V00105F6	YU03-00648-YU03-00770	P-UB-10	95 mm	135 mm	KOB-YN01V00105R900	508.46
	YN01V00105F6	YU03-00648-YU03-00770	P-UB-1	95 mm		KOB-YN01V00105R100	183.92
	YN01V00105F6	YU03-00648-YU03-00770	N-N-10		135 mm	KOB-YN01V00105R800	324.54
	YN01V00132F1	YU02-00501-YU02-00647	P-UB-10	95 mm	135 mm	KOB-YN01V00105R900	508.46
	YN01V00132F1	YU02-00501-YU02-00647	P-UB-1	95 mm		KOB-YN01V00105R100	183.92
	YN01V00132F1	YU02-00501-YU02-00647	N-N-10		135 mm	KOB-YN01V00105R800	324.54
	YN01V00132F1	YU03-00648-YU03-00770	P-UB-10	95 mm	135 mm	KOB-YN01V00105R900	508.46
	YN01V00132F1	YU03-00648-YU03-00770	P-UB-1	95 mm		KOB-YN01V00105R100	183.92
	YN01V00132F1	YU03-00648-YU03-00770	N-N-10		135 mm	KOB-YN01V00105R800	324.54
	YN01V00132F1	YU04-00801-	P-UB-10	95 mm	135 mm	KOB-YN01V00105R900	508.46
	YN01V00132F1	YU04-00801-	P-UB-1	95 mm		KOB-YN01V00105R100	183.92
	YN01V00132F1	YU04-00801-	N-N-10		135 mm	KOB-YN01V00105R800	324.54
	YN01V00132F2	YU02-00501-YU02-00647	P-UB-10	95 mm	135 mm	KOB-YN01V00105R900	508.46
	YN01V00132F2	YU02-00501-YU02-00647	P-UB-1	95 mm		KOB-YN01V00105R100	183.92
	YN01V00132F2	YU02-00501-YU02-00647	N-N-10		135 mm	KOB-YN01V00105R800	324.54
	YN01V00132F2	YU03-00648-YU03-00770	P-UB-10	95 mm	135 mm	KOB-YN01V00105R900	508.46
	YN01V00132F2	YU03-00648-YU03-00770	P-UB-1	95 mm		KOB-YN01V00105R100	183.92
	YN01V00132F2	YU03-00648-YU03-00770	N-N-10		135 mm	KOB-YN01V00105R800	324.54
	YN01V00132F2	YU04-00801-	P-UB-10	95 mm	135 mm	KOB-YN01V00105R900	508.46
	YN01V00132F2	YU04-00801-	P-UB-1	95 mm		KOB-YN01V00105R100	183.92
	YN01V00132F2	YU04-00801-	N-N-10		135 mm	KOB-YN01V00105R800	324.54
	YN01V00132F3	YU02-00501-YU02-00647	P-UB-10	95 mm	135 mm	KOB-YN01V00105R900	508.46
	YN01V00132F3	YU02-00501-YU02-00647	P-UB-1	95 mm		KOB-YN01V00105R100	183.92
	YN01V00132F3	YU02-00501-YU02-00647	N-N-10		135 mm	KOB-YN01V00105R800	324.54
	YN01V00132F3	YU03-00648-YU03-00770	P-UB-10	95 mm	135 mm	KOB-YN01V00105R900	508.46
	YN01V00132F3	YU03-00648-YU03-00770	P-UB-1	95 mm		KOB-YN01V00105R100	183.92
	YN01V00132F3	YU03-00648-YU03-00770	N-N-10		135 mm	KOB-YN01V00105R800	324.54
	YN01V00132F3	YU04-00801-	P-UB-10	95 mm	135 mm	KOB-YN01V00105R900	508.46
	YN01V00132F3	YU04-00801-	P-UB-1	95 mm		KOB-YN01V00105R100	183.92
	YN01V00132F3	YU04-00801-	N-N-10		135 mm	KOB-YN01V00105R800	324.54
	YN01V00132F4	YU02-00501-YU02-00647	P-UB-10	95 mm	135 mm	KOB-YN01V00105R900	508.46
	YN01V00132F4	YU02-00501-YU02-00647	P-UB-1	95 mm		KOB-YN01V00105R100	183.92
	YN01V00132F4	YU02-00501-YU02-00647	N-N-10		135 mm	KOB-YN01V00105R800	324.54
	YN01V00132F4	YU03-00648-YU03-00770	P-UB-10	95 mm	135 mm	KOB-YN01V00105R900	508.46
	YN01V00132F4	YU03-00648-YU03-00770	P-UB-1	95 mm		KOB-YN01V00105R100	183.92
	YN01V00132F4	YU03-00648-YU03-00770	N-N-10		135 mm	KOB-YN01V00105R800	324.54
	YN01V00132F4	YU04-00801-	P-UB-10	95 mm	135 mm	KOB-YN01V00105R900	508.46
	YN01V00132F4	YU04-00801-	P-UB-1	95 mm		KOB-YN01V00105R100	183.92
	YN01V00132F4	YU04-00801-	N-N-10		135 mm	KOB-YN01V00105R800	324.54
	YN01V00132F5	YU02-00501-YU02-00647	P-UB-10	95 mm	135 mm	KOB-YN01V00105R900	508.46
	YN01V00132F5	YU02-00501-YU02-00647	P-UB-1	95 mm		KOB-YN01V00105R100	183.92
	YN01V00132F5	YU02-00501-YU02-00647	N-N-10		135 mm	KOB-YN01V00105R800	324.54
	YN01V00132F5	YU03-00648-YU03-00770	P-UB-10	95 mm	135 mm	KOB-YN01V00105R900	508.46
	YN01V00132F5	YU03-00648-YU03-00770	P-UB-1	95 mm		KOB-YN01V00105R100	183.92
	YN01V00132F5	YU03-00648-YU03-00770	N-N-10		135 mm	KOB-YN01V00105R800	324.54
	YN01V00132F5	YU04-00801-	P-UB-10	95 mm	135 mm	KOB-YN01V00105R900	508.46
	YN01V00132F5	YU04-00801-	P-UB-1	95 mm		KOB-YN01V00105R100	183.92

KOBELCO

Replacement Kits For

KOBELCO

Excavators								
APPLICATION	CYL #	SERIAL #	CODE	ROD	BORE	KIT #	List \$	
MODEL SK235SRLC-1E								
ARM	YN01V00132F5	YU04-00801-	N-N-10		135 mm	KOB-YN01V00105R800	324.54	
BOOM LH	YN01V00108F1	YU02-00501-YU02-00647	P-UB-10	85 mm	125 mm	KOB-YN01V00103R900	410.31	
	YN01V00108F1	YU02-00501-YU02-00647	P-UB-1	85 mm		KOB-YN01V00103R100	157.51	
	YN01V00108F1	YU02-00501-YU02-00647	N-N-10		125 mm	KOB-YN01V00103R800	252.82	
	YN01V00108F1	YU03-00648-YU03-00770	P-UB-10	85 mm	125 mm	KOB-YN01V00103R900	410.31	
	YN01V00108F1	YU03-00648-YU03-00770	P-UB-1	85 mm		KOB-YN01V00103R100	157.51	
	YN01V00108F1	YU03-00648-YU03-00770	N-N-10		125 mm	KOB-YN01V00103R800	252.82	
	YN01V00108F1	YU04-00801-	P-UB-10	85 mm	125 mm	KOB-YN01V00103R900	410.31	
	YN01V00108F1	YU04-00801-	P-UB-1	85 mm		KOB-YN01V00103R100	157.51	
	YN01V00108F1	YU04-00801-	N-N-10		125 mm	KOB-YN01V00103R800	252.82	
	YN01V00108F2	YU02-00501-YU02-00647	P-UB-10	85 mm	125 mm	KOB-YN01V00103R900	410.31	
	YN01V00108F2	YU02-00501-YU02-00647	P-UB-1	85 mm		KOB-YN01V00103R100	157.51	
	YN01V00108F2	YU02-00501-YU02-00647	N-N-10		125 mm	KOB-YN01V00103R800	252.82	
	YN01V00108F2	YU03-00648-YU03-00770	P-UB-10	85 mm	125 mm	KOB-YN01V00103R900	410.31	
	YN01V00108F2	YU03-00648-YU03-00770	P-UB-1	85 mm		KOB-YN01V00103R100	157.51	
	YN01V00108F2	YU03-00648-YU03-00770	N-N-10		125 mm	KOB-YN01V00103R800	252.82	
	YN01V00108F2	YU04-00801-	P-UB-10	85 mm	125 mm	KOB-YN01V00103R900	410.31	
	YN01V00108F2	YU04-00801-	P-UB-1	85 mm		KOB-YN01V00103R100	157.51	
	YN01V00108F2	YU04-00801-	N-N-10		125 mm	KOB-YN01V00103R800	252.82	
	YN01V00108F3	YU02-00501-YU02-00647	P-UB-10	85 mm	125 mm	KOB-YN01V00103R900	410.31	
	YN01V00108F3	YU02-00501-YU02-00647	P-UB-1	85 mm		KOB-YN01V00103R100	157.51	
	YN01V00108F3	YU02-00501-YU02-00647	N-N-10		125 mm	KOB-YN01V00103R800	252.82	
	YN01V00108F3	YU03-00648-YU03-00770	P-UB-10	85 mm	125 mm	KOB-YN01V00103R900	410.31	
	YN01V00108F3	YU03-00648-YU03-00770	P-UB-1	85 mm		KOB-YN01V00103R100	157.51	
	YN01V00108F3	YU03-00648-YU03-00770	N-N-10		125 mm	KOB-YN01V00103R800	252.82	
	YN01V00108F3	YU04-00801-	P-UB-10	85 mm	125 mm	KOB-YN01V00103R900	410.31	
	YN01V00108F3	YU04-00801-	P-UB-1	85 mm		KOB-YN01V00103R100	157.51	
	YN01V00108F3	YU04-00801-	N-N-10		125 mm	KOB-YN01V00103R800	252.82	
	BOOM RH	YN01V00107F1	YU02-00501-YU02-00647	P-UB-10	85 mm	125 mm	KOB-YN01V00103R900	410.31
		YN01V00107F1	YU02-00501-YU02-00647	P-UB-1	85 mm		KOB-YN01V00103R100	157.51
		YN01V00107F1	YU02-00501-YU02-00647	N-N-10		125 mm	KOB-YN01V00103R800	252.82
		YN01V00107F1	YU03-00648-YU03-00770	P-UB-10	85 mm	125 mm	KOB-YN01V00103R900	410.31
		YN01V00107F1	YU03-00648-YU03-00770	P-UB-1	85 mm		KOB-YN01V00103R100	157.51
		YN01V00107F1	YU03-00648-YU03-00770	N-N-10		125 mm	KOB-YN01V00103R800	252.82
YN01V00107F1		YU04-00801-	P-UB-10	85 mm	125 mm	KOB-YN01V00103R900	410.31	
YN01V00107F1		YU04-00801-	P-UB-1	85 mm		KOB-YN01V00103R100	157.51	
YN01V00107F1		YU04-00801-	N-N-10		125 mm	KOB-YN01V00103R800	252.82	
YN01V00107F2		YU02-00501-YU02-00647	P-UB-10	85 mm	125 mm	KOB-YN01V00103R900	410.31	
YN01V00107F2		YU02-00501-YU02-00647	P-UB-1	85 mm		KOB-YN01V00103R100	157.51	
YN01V00107F2		YU02-00501-YU02-00647	N-N-10		125 mm	KOB-YN01V00103R800	252.82	
YN01V00107F2		YU03-00648-YU03-00770	P-UB-10	85 mm	125 mm	KOB-YN01V00103R900	410.31	
YN01V00107F2		YU03-00648-YU03-00770	P-UB-1	85 mm		KOB-YN01V00103R100	157.51	
YN01V00107F2		YU03-00648-YU03-00770	N-N-10		125 mm	KOB-YN01V00103R800	252.82	
YN01V00107F2		YU04-00801-	P-UB-10	85 mm	125 mm	KOB-YN01V00103R900	410.31	
YN01V00107F2		YU04-00801-	P-UB-1	85 mm		KOB-YN01V00103R100	157.51	
YN01V00107F2		YU04-00801-	N-N-10		125 mm	KOB-YN01V00103R800	252.82	
YN01V00107F3		YU02-00501-YU02-00647	P-UB-10	85 mm	125 mm	KOB-YN01V00103R900	410.31	
YN01V00107F3		YU02-00501-YU02-00647	P-UB-1	85 mm		KOB-YN01V00103R100	157.51	
YN01V00107F3		YU02-00501-YU02-00647	N-N-10		125 mm	KOB-YN01V00103R800	252.82	
YN01V00107F3		YU03-00648-YU03-00770	P-UB-10	85 mm	125 mm	KOB-YN01V00103R900	410.31	
YN01V00107F3		YU03-00648-YU03-00770	P-UB-1	85 mm		KOB-YN01V00103R100	157.51	
YN01V00107F3		YU03-00648-YU03-00770	N-N-10		125 mm	KOB-YN01V00103R800	252.82	
YN01V00107F3		YU04-00801-	P-UB-10	85 mm	125 mm	KOB-YN01V00103R900	410.31	
YN01V00107F3		YU04-00801-	P-UB-1	85 mm		KOB-YN01V00103R100	157.51	
YN01V00107F3		YU04-00801-	N-N-10		125 mm	KOB-YN01V00103R800	252.82	

KOBELCO

Replacement Kits For

KOBELCO

Excavators							
APPLICATION	CYL #	SERIAL #	CODE	ROD	BORE	KIT #	List \$
MODEL SK235SRLC-1E							
BUCKET	YN01V00112F1	YU02-00501-YU02-00647	P-UB-10	80 mm	120 mm	KOB-YN01V00112R900	503.78
	YN01V00112F1	YU02-00501-YU02-00647	P-UB-1	80 mm		KOB-YN01V00112R100	184.56
	YN01V00112F1	YU02-00501-YU02-00647	N-N-10		120 mm	KOB-YN01V00112R800	314.61
	YN01V00112F1	YU03-00648-YU03-00770	P-UB-10	80 mm	120 mm	KOB-YN01V00112R900	503.78
	YN01V00112F1	YU03-00648-YU03-00770	P-UB-1	80 mm		KOB-YN01V00112R100	184.56
	YN01V00112F1	YU03-00648-YU03-00770	N-N-10		120 mm	KOB-YN01V00112R800	314.61
	YN01V00112F1	YU04-00801-	P-UB-10	80 mm	120 mm	KOB-YN01V00112R900	503.78
	YN01V00112F1	YU04-00801-	P-UB-1	80 mm		KOB-YN01V00112R100	184.56
	YN01V00112F1	YU04-00801-	N-N-10		120 mm	KOB-YN01V00112R800	314.61
	YN01V00112F2	YU02-00501-YU02-00647	P-UB-10	80 mm	120 mm	KOB-YN01V00112R900	503.78
	YN01V00112F2	YU02-00501-YU02-00647	P-UB-1	80 mm		KOB-YN01V00112R100	184.56
	YN01V00112F2	YU02-00501-YU02-00647	N-N-10		120 mm	KOB-YN01V00112R800	314.61
	YN01V00112F2	YU03-00648-YU03-00770	P-UB-10	80 mm	120 mm	KOB-YN01V00112R900	503.78
	YN01V00112F2	YU03-00648-YU03-00770	P-UB-1	80 mm		KOB-YN01V00112R100	184.56
	YN01V00112F2	YU03-00648-YU03-00770	N-N-10		120 mm	KOB-YN01V00112R800	314.61
	YN01V00112F2	YU04-00801-	P-UB-10	80 mm	120 mm	KOB-YN01V00112R900	503.78
	YN01V00112F2	YU04-00801-	P-UB-1	80 mm		KOB-YN01V00112R100	184.56
	YN01V00112F2	YU04-00801-	N-N-10		120 mm	KOB-YN01V00112R800	314.61
	YN01V00112F3	YU02-00501-YU02-00647	P-UB-10	80 mm	120 mm	KOB-YN01V00112R900	503.78
	YN01V00112F3	YU02-00501-YU02-00647	P-UB-1	80 mm		KOB-YN01V00112R100	184.56
	YN01V00112F3	YU02-00501-YU02-00647	N-N-10		120 mm	KOB-YN01V00112R800	314.61
	YN01V00112F3	YU03-00648-YU03-00770	P-UB-10	80 mm	120 mm	KOB-YN01V00112R900	503.78
	YN01V00112F3	YU03-00648-YU03-00770	P-UB-1	80 mm		KOB-YN01V00112R100	184.56
	YN01V00112F3	YU03-00648-YU03-00770	N-N-10		120 mm	KOB-YN01V00112R800	314.61
	YN01V00112F3	YU04-00801-	P-UB-10	80 mm	120 mm	KOB-YN01V00112R900	503.78
	YN01V00112F3	YU04-00801-	P-UB-1	80 mm		KOB-YN01V00112R100	184.56
	YN01V00112F3	YU04-00801-	N-N-10		120 mm	KOB-YN01V00112R800	314.61
	YN01V00112F4	YU02-00501-YU02-00647	P-UB-10	80 mm	120 mm	KOB-YN01V00112R900	503.78
	YN01V00112F4	YU02-00501-YU02-00647	P-UB-1	80 mm		KOB-YN01V00112R100	184.56
	YN01V00112F4	YU02-00501-YU02-00647	N-N-10		120 mm	KOB-YN01V00112R800	314.61
	YN01V00112F4	YU03-00648-YU03-00770	P-UB-10	80 mm	120 mm	KOB-YN01V00112R900	503.78
	YN01V00112F4	YU03-00648-YU03-00770	P-UB-1	80 mm		KOB-YN01V00112R100	184.56
	YN01V00112F4	YU03-00648-YU03-00770	N-N-10		120 mm	KOB-YN01V00112R800	314.61
	YN01V00112F4	YU04-00801-	P-UB-10	80 mm	120 mm	KOB-YN01V00112R900	503.78
	YN01V00112F4	YU04-00801-	P-UB-1	80 mm		KOB-YN01V00112R100	184.56
YN01V00112F4	YU04-00801-	N-N-10		120 mm	KOB-YN01V00112R800	314.61	
YN01V00112F5	YU04-00801-	P-UB-10	80 mm	120 mm	KOB-YN01V00112R900	503.78	
YN01V00112F5	YU04-00801-	P-UB-1	80 mm		KOB-YN01V00112R100	184.56	
YN01V00112F5	YU04-00801-	N-N-10		120 mm	KOB-YN01V00112R800	314.61	
MODEL SK235SRLC-1ES							
ARM	YN01V00132F1	YU04-00801-	P-UB-10	95 mm	135 mm	KOB-YN01V00105R900	508.46
	YN01V00132F1	YU04-00801-	P-UB-1	95 mm		KOB-YN01V00105R100	183.92
	YN01V00132F1	YU04-00801-	N-N-10		135 mm	KOB-YN01V00105R800	324.54
	YN01V00132F2	YU04-00801-	P-UB-10	95 mm	135 mm	KOB-YN01V00105R900	508.46
	YN01V00132F2	YU04-00801-	P-UB-1	95 mm		KOB-YN01V00105R100	183.92
	YN01V00132F2	YU04-00801-	N-N-10		135 mm	KOB-YN01V00105R800	324.54
	YN01V00132F3	YU04-00801-	P-UB-10	95 mm	135 mm	KOB-YN01V00105R900	508.46
	YN01V00132F3	YU04-00801-	P-UB-1	95 mm		KOB-YN01V00105R100	183.92
	YN01V00132F3	YU04-00801-	N-N-10		135 mm	KOB-YN01V00105R800	324.54
	YN01V00132F4	YU04-00801-	P-UB-10	95 mm	135 mm	KOB-YN01V00105R900	508.46
	YN01V00132F4	YU04-00801-	P-UB-1	95 mm		KOB-YN01V00105R100	183.92
	YN01V00132F4	YU04-00801-	N-N-10		135 mm	KOB-YN01V00105R800	324.54
	YN01V00132F5	YU04-00801-	P-UB-10	95 mm	135 mm	KOB-YN01V00105R900	508.46
	YN01V00132F5	YU04-00801-	P-UB-1	95 mm		KOB-YN01V00105R100	183.92
	YN01V00132F5	YU04-00801-	N-N-10		135 mm	KOB-YN01V00105R800	324.54

KOBELCO

Replacement Kits For

KOBELCO

Excavators							
APPLICATION	CYL #	SERIAL #	CODE	ROD	BORE	KIT #	List \$
MODEL SK235SRLC-1ES							
BOOM LH	YN01V00108F1	YU04-00801-	P-UB-10	85 mm	125 mm	KOB-YN01V00103R900	410.31
	YN01V00108F1	YU04-00801-	P-UB-1	85 mm		KOB-YN01V00103R100	157.51
	YN01V00108F1	YU04-00801-	N-N-10		125 mm	KOB-YN01V00103R800	252.82
	YN01V00108F2	YU04-00801-	P-UB-10	85 mm	125 mm	KOB-YN01V00103R900	410.31
	YN01V00108F2	YU04-00801-	P-UB-1	85 mm		KOB-YN01V00103R100	157.51
	YN01V00108F2	YU04-00801-	N-N-10		125 mm	KOB-YN01V00103R800	252.82
	YN01V00108F3	YU04-00801-	P-UB-10	85 mm	125 mm	KOB-YN01V00103R900	410.31
	YN01V00108F3	YU04-00801-	P-UB-1	85 mm		KOB-YN01V00103R100	157.51
BOOM RH	YN01V00107F1	YU04-00801-	N-N-10		125 mm	KOB-YN01V00103R800	252.82
	YN01V00107F1	YU04-00801-	P-UB-10	85 mm	125 mm	KOB-YN01V00103R900	410.31
	YN01V00107F1	YU04-00801-	P-UB-1	85 mm		KOB-YN01V00103R100	157.51
	YN01V00107F2	YU04-00801-	N-N-10		125 mm	KOB-YN01V00103R800	252.82
	YN01V00107F2	YU04-00801-	P-UB-10	85 mm	125 mm	KOB-YN01V00103R900	410.31
	YN01V00107F2	YU04-00801-	P-UB-1	85 mm		KOB-YN01V00103R100	157.51
	YN01V00107F2	YU04-00801-	N-N-10		125 mm	KOB-YN01V00103R800	252.82
	YN01V00107F3	YU04-00801-	P-UB-10	85 mm	125 mm	KOB-YN01V00103R900	410.31
BUCKET	YN01V00112F1	YU04-00801-	P-UB-1	85 mm		KOB-YN01V00103R100	157.51
	YN01V00107F3	YU04-00801-	N-N-10		125 mm	KOB-YN01V00103R800	252.82
	YN01V00112F1	YU04-00801-	P-UB-10	80 mm	120 mm	KOB-YN01V00112R900	503.78
	YN01V00112F1	YU04-00801-	P-UB-1	80 mm		KOB-YN01V00112R100	184.56
	YN01V00112F1	YU04-00801-	N-N-10		120 mm	KOB-YN01V00112R800	314.61
	YN01V00112F2	YU04-00801-	P-UB-10	80 mm	120 mm	KOB-YN01V00112R900	503.78
	YN01V00112F2	YU04-00801-	P-UB-1	80 mm		KOB-YN01V00112R100	184.56
	YN01V00112F2	YU04-00801-	N-N-10		120 mm	KOB-YN01V00112R800	314.61
	YN01V00112F3	YU04-00801-	P-UB-10	80 mm	120 mm	KOB-YN01V00112R900	503.78
	YN01V00112F3	YU04-00801-	P-UB-1	80 mm		KOB-YN01V00112R100	184.56
	YN01V00112F3	YU04-00801-	N-N-10		120 mm	KOB-YN01V00112R800	314.61
	YN01V00112F4	YU04-00801-	P-UB-10	80 mm	120 mm	KOB-YN01V00112R900	503.78
	YN01V00112F4	YU04-00801-	P-UB-1	80 mm		KOB-YN01V00112R100	184.56
	YN01V00112F4	YU04-00801-	N-N-10		120 mm	KOB-YN01V00112R800	314.61
	YN01V00112F5	YU04-00801-	P-UB-10	80 mm	120 mm	KOB-YN01V00112R900	503.78
	YN01V00112F5	YU04-00801-	P-UB-1	80 mm		KOB-YN01V00112R100	184.56
YN01V00112F5	YU04-00801-	N-N-10		120 mm	KOB-YN01V00112R800	314.61	
MODEL SK235SRLC-2							
ARM	YN01V00175F1	YU05-02001-	P-UB-10	95 mm	135 mm	KOB-YN01V00175R300	525.15
	YN01V00175F1	YU05-02001-	P-UB-1	95 mm		KOB-YN01V00175R100	157.43
	YN01V00175F1	YU05-02001-	N-N-10		135 mm	KOB-YN01V00175R200	356.44
	YN01V00175F2	YU05-02001-	P-UB-10	95 mm	135 mm	KOB-YN01V00175R300	525.15
	YN01V00175F2	YU05-02001-	P-UB-1	95 mm		KOB-YN01V00175R100	157.43
	YN01V00175F2	YU05-02001-	N-N-10		135 mm	KOB-YN01V00175R200	356.44
BOOM	YF01V00001F1	YU05-02001-	P-UB-10	85 mm	125 mm	KOB-YF01V00001R300	429.74
	YF01V00001F1	YU05-02001-	P-UB-1	85 mm		KOB-LQ01V00030R100	128.43
	YF01V00001F1	YU05-02001-	N-N-10		125 mm	KOB-YF01V00001R200	301.31
BUCKET	YN01V00153F1	YU05-02001-	P-UB-10	80 mm	120 mm	KOB-YN01V00153R300	324.84
	YN01V00153F1	YU05-02001-	P-UB-1	80 mm		KOB-YN01V00153R100	159.38
	YN01V00153F1	YU05-02001-	N-N-10		120 mm	KOB-YN01V00151R600	158.24
	YN01V00153F2	YU05-02001-	P-UB-10	80 mm	120 mm	KOB-YN01V00153R300	324.84
	YN01V00153F2	YU05-02001-	P-UB-1	80 mm		KOB-YN01V00153R100	159.38
	YN01V00153F2	YU05-02001-	N-N-10		120 mm	KOB-YN01V00151R600	158.24
MODEL SK250 IV							
ARM	2438U1137F1	LQU0101-	P-UB-1	105 mm		KOB-2438U953R100	318.88
	2438U1137F1	LQU0101-	N-N-10		150 mm	KOB-2438U953R200	582.44
BOOM LH	2438U1136F1	LQU0101-	P-UB-10	90 mm	140 mm	KOB-2438U1135R300	449.53
	2438U1136F1	LQU0101-	P-UB-1	90 mm		KOB-2438U999R100	206.90
	2438U1136F1	LQU0101-	N-N-10		140 mm	KOB-2438U999R200	398.50

KOBELCO

KOBELCO

Replacement Kits For

Excavators							
APPLICATION	CYL #	SERIAL #	CODE	ROD	BORE	KIT #	List \$
MODEL SK250 IV							
BOOM RH	2438U1135F1	LQU0101-	P-UB-10	90 mm	140 mm	KOB-2438U1135R300	449.53
	2438U1135F1	LQU0101-	P-UB-1	90 mm		KOB-2438U999R100	206.90
	2438U1135F1	LQU0101-	N-N-10		140 mm	KOB-2438U999R200	398.50
BUCKET	2438U1138F1	LQU0101-	P-UB-1	85 mm		KOB-2438U959R100	167.34
	2438U1138F1	LQU0101-	N-N-10		130 mm	KOB-2438U959R200	374.68
MODEL SK250-8							
ARM	LQ01V00038F1	LQ12-C5001-	P-UB-10	105 mm	145 mm	KOB-LQ01V00038R300	426.02
	LQ01V00038F1	LQ12-C5001-	P-UB-1	105 mm		KOB-LQ01V00038R100	174.38
	LQ01V00038F1	LQ12-C5001-	N-N-10		145 mm	KOB-LQ01V00038R200	258.16
	LQ01V00038F2	LQ12-C5001-	P-UB-10	105 mm	145 mm	KOB-LQ01V00038R300	426.02
	LQ01V00038F2	LQ12-C5001-	P-UB-1	105 mm		KOB-LQ01V00038R100	174.38
	LQ01V00038F2	LQ12-C5001-	N-N-10		145 mm	KOB-LQ01V00038R200	258.16
BOOM	LQ01V00028F1	LQ12-C5001-	P-UB-10	95 mm	135 mm	KOB-LQ01V00028R300	387.51
	LQ01V00028F1	LQ12-C5001-	P-UB-1	95 mm		KOB-YN01V00175R100	157.43
	LQ01V00028F1	LQ12-C5001-	N-N-10		135 mm	KOB-LQ01V00028R200	266.85
BUCKET	LQ01V00030F1	LQ12-C5001-	P-UB-10	85 mm	125 mm	KOB-LQ01V00030R300	414.18
	LQ01V00030F1	LQ12-C5001-	P-UB-1	85 mm		KOB-LQ01V00030R100	128.43
	LQ01V00030F1	LQ12-C5001-	N-N-10		125 mm	KOB-LQ01V00030R200	218.99
	LQ01V00030F2	LQ12-C5001-	P-UB-10	85 mm	125 mm	KOB-LQ01V00030R300	414.18
	LQ01V00030F2	LQ12-C5001-	P-UB-1	85 mm		KOB-LQ01V00030R100	128.43
	LQ01V00030F2	LQ12-C5001-	N-N-10		125 mm	KOB-LQ01V00030R200	218.99
MODEL SK250LC							
ARM	LQ01V00007F1	LL08U0101-	P-UB-10	100 mm	140 mm	KOB-LQ01V00007R300	346.07
	LQ01V00007F1	LL08U0101-	P-UB-1	100 mm		KOB-LQ01V00007R100	141.03
	LQ01V00007F1	LL08U0101-	N-N-10		140 mm	KOB-LQ01V00007R200	220.68
	LQ01V00007F1	LL08U0101-	Bushing	100 mm		KOB-2438U1104S4	62.28
BOOM LH	LQ01V00006F1	LL08U0101-	P-UB-10	90 mm	135 mm	KOB-LQ01V00005R300	387.82
	LQ01V00006F1	LL08U0101-	P-UB-1	90 mm		KOB-LQ01V00001R400	127.59
	LQ01V00006F1	LL08U0101-	N-N-10		135 mm	KOB-LQ01V00001R200	260.22
BOOM RH	LQ01V00005F1	LL08U0101-	P-UB-10	90 mm	135 mm	KOB-LQ01V00005R300	387.82
	LQ01V00005F1	LL08U0101-	P-UB-1	90 mm		KOB-LQ01V00001R400	127.59
	LQ01V00005F1	LL08U0101-	N-N-10		135 mm	KOB-LQ01V00001R200	260.22
BUCKET Long Reach	YX01V00005F2	LL08U0101-	P-UB-14	65 mm	95 mm	KOB-YX01V00005R300	133.06
	YX01V00005F2	LL08U0101-	P-UB-1	65 mm		KOB-YX01V00005R100	96.30
	YX01V00005F2	LL08U0101-	N-N-14		95 mm	KOB-YX01V00005R200	110.68
MODEL SK250LC IV							
ARM	2438U1137F1	LLU1201-	P-UB-1	105 mm		KOB-2438U953R100	318.88
	2438U1137F1	LLU1201-	N-N-10		150 mm	KOB-2438U953R200	582.44
	2438U1137F1	LLU1801-	P-UB-1	105 mm		KOB-2438U953R100	318.88
	2438U1137F1	LLU1801-	N-N-10		150 mm	KOB-2438U953R200	582.44
BOOM LH	2438U1136F1	LLU1201-	P-UB-10	90 mm	140 mm	KOB-2438U1135R300	449.53
	2438U1136F1	LLU1201-	P-UB-1	90 mm		KOB-2438U999R100	206.90
	2438U1136F1	LLU1201-	N-N-10		140 mm	KOB-2438U999R200	398.50
	2438U1136F1	LLU1801-	P-UB-10	90 mm	140 mm	KOB-2438U1135R300	449.53
	2438U1136F1	LLU1801-	P-UB-1	90 mm		KOB-2438U999R100	206.90
	2438U1136F1	LLU1801-	N-N-10		140 mm	KOB-2438U999R200	398.50
	2438U1136F1	LLU1201-	P-UB-10	90 mm	140 mm	KOB-2438U1135R300	449.53
	2438U1136F1	LLU1201-	P-UB-1	90 mm		KOB-2438U999R100	206.90
BOOM RH	2438U1135F1	LLU1201-	P-UB-10	90 mm	140 mm	KOB-2438U1135R300	449.53
	2438U1135F1	LLU1201-	P-UB-1	90 mm		KOB-2438U999R100	206.90
	2438U1135F1	LLU1201-	N-N-10		140 mm	KOB-2438U999R200	398.50
	2438U1135F1	LLU1801-	P-UB-10	90 mm	140 mm	KOB-2438U1135R300	449.53
	2438U1135F1	LLU1801-	P-UB-1	90 mm		KOB-2438U999R100	206.90
	2438U1135F1	LLU1801-	N-N-10		140 mm	KOB-2438U999R200	398.50
BUCKET	2438U1138F1	LLU1201-	P-UB-1	85 mm		KOB-2438U959R100	167.34
	2438U1138F1	LLU1201-	N-N-10		130 mm	KOB-2438U959R200	374.68

KOBELCO

Replacement Kits For

KOBELCO

Excavators							
APPLICATION	CYL #	SERIAL #	CODE	ROD	BORE	KIT #	List \$
MODEL SK250LC IV							
BUCKET	2438U1138F1	LLU1801-	P-UB-1	85 mm		KOB-2438U959R100	167.34
	2438U1138F1	LLU1801-	N-N-10		130 mm	KOB-2438U959R200	374.68
MODEL SK250LC-6E							
ARM	LQ01V00012F1	LLC-02001-	P-UB-10	100 mm	140 mm	KOB-LQ01V00007R300	346.07
	LQ01V00012F1	LLC-02001-	P-UB-1	100 mm		KOB-LQ01V00007R100	141.03
	LQ01V00012F1	LLC-02001-	N-N-10		140 mm	KOB-LQ01V00007R200	220.68
	LQ01V00012F2	LLC-02001-	P-UB-10	100 mm	140 mm	KOB-LQ01V00007R300	346.07
	LQ01V00012F2	LLC-02001-	P-UB-1	100 mm		KOB-LQ01V00007R100	141.03
	LQ01V00012F2	LLC-02001-	N-N-10		140 mm	KOB-LQ01V00007R200	220.68
	LQ01V00012F3	LLC-02001-	P-UB-10	100 mm	140 mm	KOB-LQ01V00007R300	346.07
	LQ01V00012F3	LLC-02001-	P-UB-1	100 mm		KOB-LQ01V00007R100	141.03
	LQ01V00012F3	LLC-02001-	N-N-10		140 mm	KOB-LQ01V00007R200	220.68
	LQ01V00012F4	LL09U607-	P-UB-10	100 mm	140 mm	KOB-LQ01V00007R300	346.07
	LQ01V00012F4	LL09U607-	P-UB-1	100 mm		KOB-LQ01V00007R100	141.03
	LQ01V00012F4	LL09U607-	N-N-10		140 mm	KOB-LQ01V00007R200	220.68
	LQ01V00012F4	LL09U607-	Bushing	100 mm		KOB-2438U1104S4	62.28
	LQ01V00012F4	LLC-02001-	P-UB-10	100 mm	140 mm	KOB-LQ01V00007R300	346.07
	LQ01V00012F4	LLC-02001-	P-UB-1	100 mm		KOB-LQ01V00007R100	141.03
	LQ01V00012F4	LLC-02001-	N-N-10		140 mm	KOB-LQ01V00007R200	220.68
	LQ01V00012F5	LLC-02001-	P-UB-10	100 mm	140 mm	KOB-LQ01V00007R300	346.07
	LQ01V00012F5	LLC-02001-	P-UB-1	100 mm		KOB-LQ01V00007R100	141.03
	LQ01V00012F5	LLC-02001-	N-N-10		140 mm	KOB-LQ01V00007R200	220.68
	BOOM LH	LQ01V00011F1	LLC-02001-	P-UB-10	90 mm	135 mm	KOB-LQ01V00005R300
LQ01V00011F1		LLC-02001-	P-UB-1	90 mm		KOB-LQ01V00001R400	127.59
LQ01V00011F1		LLC-02001-	N-N-10		135 mm	KOB-LQ01V00001R200	260.22
LQ01V00011F2		LL09U607-	P-UB-10	90 mm	135 mm	KOB-LQ01V00005R300	387.82
LQ01V00011F2		LL09U607-	P-UB-1	90 mm		KOB-LQ01V00001R400	127.59
LQ01V00011F2		LL09U607-	N-N-10		135 mm	KOB-LQ01V00001R200	260.22
LQ01V00011F2		LLC-02001-	P-UB-10	90 mm	135 mm	KOB-LQ01V00005R300	387.82
LQ01V00011F2		LLC-02001-	P-UB-1	90 mm		KOB-LQ01V00001R400	127.59
BOOM RH	LQ01V00010F1	LLC-02001-	P-UB-10	90 mm	135 mm	KOB-LQ01V00005R300	387.82
	LQ01V00010F1	LLC-02001-	P-UB-1	90 mm		KOB-LQ01V00001R400	127.59
	LQ01V00010F1	LLC-02001-	N-N-10		135 mm	KOB-LQ01V00001R200	260.22
	LQ01V00010F2	LL09U607-	P-UB-10	90 mm	135 mm	KOB-LQ01V00005R300	387.82
	LQ01V00010F2	LL09U607-	P-UB-1	90 mm		KOB-LQ01V00001R400	127.59
	LQ01V00010F2	LL09U607-	N-N-10		135 mm	KOB-LQ01V00001R200	260.22
	LQ01V00010F2	LLC-02001-	P-UB-10	90 mm	135 mm	KOB-LQ01V00005R300	387.82
	LQ01V00010F2	LLC-02001-	P-UB-1	90 mm		KOB-LQ01V00001R400	127.59
BUCKET	LQ01V00013F1	LLC-02001-	P-UB-10	90 mm	125 mm	KOB-YB01V00010R300	364.16
	LQ01V00013F1	LLC-02001-	P-UB-1	90 mm		KOB-YB01V00010R100	139.89
	LQ01V00013F1	LLC-02001-	N-N-10		125 mm	KOB-YM01V00008R200	224.27
	LQ01V00013F2	LLC-02001-	P-UB-10	90 mm	125 mm	KOB-YB01V00010R300	364.16
	LQ01V00013F2	LLC-02001-	P-UB-1	90 mm		KOB-YB01V00010R100	139.89
	LQ01V00013F2	LLC-02001-	N-N-10		125 mm	KOB-YM01V00008R200	224.27
	LQ01V00013F3	LLC-02001-	P-UB-10	90 mm	125 mm	KOB-YB01V00010R300	364.16
	LQ01V00013F3	LLC-02001-	P-UB-1	90 mm		KOB-YB01V00010R100	139.89
	LQ01V00013F3	LLC-02001-	N-N-10		125 mm	KOB-YM01V00008R200	224.27
	LQ01V00013F4	LLC-02001-	P-UB-10	90 mm	125 mm	KOB-YB01V00010R300	364.16
	LQ01V00013F4	LLC-02001-	P-UB-1	90 mm		KOB-YB01V00010R100	139.89
	LQ01V00013F4	LLC-02001-	N-N-10		125 mm	KOB-YM01V00008R200	224.27
	LQ01V00013F5	LL09U607-	P-UB-10	90 mm	125 mm	KOB-YB01V00010R300	364.16
	LQ01V00013F5	LL09U607-	P-UB-1	90 mm		KOB-YB01V00010R100	139.89
	LQ01V00013F5	LLC-02001-	P-UB-10	90 mm	125 mm	KOB-YB01V00010R300	364.16

KOBELCO

Replacement Kits For

KOBELCO

Excavators							
APPLICATION	CYL #	SERIAL #	CODE	ROD	BORE	KIT #	List \$
MODEL SK250LC-6E							
BUCKET	LQ01V00013F5	LLC-02001-	P-UB-1	90 mm		KOB-YB01V00010R100	139.89
	LQ01V00013F5	LLC-02001-	N-N-10		125 mm	KOB-YM01V00008R200	224.27
BUCKET Long Reach	YX01V00005F4	LL09U607-	P-UB-14	65 mm	95 mm	KOB-YX01V00005R300	133.06
	YX01V00005F4	LL09U607-	P-UB-1	65 mm		KOB-YX01V00005R100	96.30
	YX01V00005F4	LL09U607-	N-N-14		95 mm	KOB-YX01V00005R200	110.68
MODEL SK250NLC IV							
ARM	2438U1137F1	LLU5059-	P-UB-1	105 mm		KOB-2438U953R100	318.88
	2438U1137F1	LLU5059-	N-N-10		150 mm	KOB-2438U953R200	582.44
BOOM LH	2438U1136F1	LLU5059-	P-UB-10	90 mm	140 mm	KOB-2438U1135R300	449.53
	2438U1136F1	LLU5059-	P-UB-1	90 mm		KOB-2438U999R100	206.90
	2438U1136F1	LLU5059-	N-N-10		140 mm	KOB-2438U999R200	398.50
BOOM RH	2438U1135F1	LLU5059-	P-UB-10	90 mm	140 mm	KOB-2438U1135R300	449.53
	2438U1135F1	LLU5059-	P-UB-1	90 mm		KOB-2438U999R100	206.90
	2438U1135F1	LLU5059-	N-N-10		140 mm	KOB-2438U999R200	398.50
BUCKET	2438U1138F1	LLU5059-	P-UB-1	85 mm		KOB-2438U959R100	167.34
	2438U1138F1	LLU5059-	N-N-10		130 mm	KOB-2438U959R200	374.68
MODEL SK260							
ARM	LQ01V00012F4		P-UB-10	100 mm	140 mm	KOB-LQ01V00007R300	346.07
	LQ01V00012F4		P-UB-1	100 mm		KOB-LQ01V00007R100	141.03
	LQ01V00012F4		N-N-10		140 mm	KOB-LQ01V00007R200	220.68
	LQ01V00012F4		Bushing	100 mm		KOB-2438U1104S4	62.28
	LQ01V00038F1		P-UB-10	105 mm	145 mm	KOB-LQ01V00038R300	426.02
	LQ01V00038F1		P-UB-1	105 mm		KOB-LQ01V00038R100	174.38
	LQ01V00038F1		N-N-10		145 mm	KOB-LQ01V00038R200	258.16
	LQ01V00038F2		P-UB-10	105 mm	145 mm	KOB-LQ01V00038R300	426.02
	LQ01V00038F2		P-UB-1	105 mm		KOB-LQ01V00038R100	174.38
	LQ01V00038F2		N-N-10		145 mm	KOB-LQ01V00038R200	258.16
BOOM	LQ01V00028F1		P-UB-10	95 mm	135 mm	KOB-LQ01V00028R300	387.51
	LQ01V00028F1		P-UB-1	95 mm		KOB-YN01V00175R100	157.43
	LQ01V00028F1		N-N-10		135 mm	KOB-LQ01V00028R200	266.85
BUCKET	LQ01V00030F1		P-UB-10	85 mm	125 mm	KOB-LQ01V00030R300	414.18
	LQ01V00030F1		P-UB-1	85 mm		KOB-LQ01V00030R100	128.43
	LQ01V00030F1		N-N-10		125 mm	KOB-LQ01V00030R200	218.99
	LQ01V00030F2		P-UB-10	85 mm	125 mm	KOB-LQ01V00030R300	414.18
	LQ01V00030F2		P-UB-1	85 mm		KOB-LQ01V00030R100	128.43
	LQ01V00030F2		N-N-10		125 mm	KOB-LQ01V00030R200	218.99
MODEL SK260LC-8							
ARM	LQ01V00038F1	LL12-C5001-	P-UB-10	105 mm	145 mm	KOB-LQ01V00038R300	426.02
	LQ01V00038F1	LL12-C5001-	P-UB-1	105 mm		KOB-LQ01V00038R100	174.38
	LQ01V00038F1	LL12-C5001-	N-N-10		145 mm	KOB-LQ01V00038R200	258.16
	LQ01V00038F2	LL12-C5001-	P-UB-10	105 mm	145 mm	KOB-LQ01V00038R300	426.02
	LQ01V00038F2	LL12-C5001-	P-UB-1	105 mm		KOB-LQ01V00038R100	174.38
	LQ01V00038F2	LL12-C5001-	N-N-10		145 mm	KOB-LQ01V00038R200	258.16
BOOM	LQ01V00028F1	LL12-C5001-	P-UB-10	95 mm	135 mm	KOB-LQ01V00028R300	387.51
	LQ01V00028F1	LL12-C5001-	P-UB-1	95 mm		KOB-YN01V00175R100	157.43
	LQ01V00028F1	LL12-C5001-	N-N-10		135 mm	KOB-LQ01V00028R200	266.85
BUCKET	LQ01V00030F1	LL12-C5001-	P-UB-10	85 mm	125 mm	KOB-LQ01V00030R300	414.18
	LQ01V00030F1	LL12-C5001-	P-UB-1	85 mm		KOB-LQ01V00030R100	128.43
	LQ01V00030F1	LL12-C5001-	N-N-10		125 mm	KOB-LQ01V00030R200	218.99
	LQ01V00030F2	LL12-C5001-	P-UB-10	85 mm	125 mm	KOB-LQ01V00030R300	414.18
	LQ01V00030F2	LL12-C5001-	P-UB-1	85 mm		KOB-LQ01V00030R100	128.43
	LQ01V00030F2	LL12-C5001-	N-N-10		125 mm	KOB-LQ01V00030R200	218.99
MODEL SK290LC							
BOOM LH	LB01V00002F1	LB03U0101-	P-UB-10	100 mm	140 mm	KOB-LC01V00001R300	385.29

KOBELCO

Replacement Kits For

KOBELCO

Excavators								
APPLICATION	CYL #	SERIAL #	CODE	ROD	BORE	KIT #	List \$	
MODEL SK290LC								
BOOM LH	LB01V00002F1	LB03U0101-	P-UB-1	100 mm		KOB-LQ01V00007R100	141.03	
	LB01V00002F1	LB03U0101-	N-N-10		140 mm	KOB-LC01V00001R200	271.53	
	LB01V00002F1	LB03U0101-	Bushing	100 mm		KOB-2438U1104S4	62.28	
BOOM RH	LB01V00001F1	LB03U0101-	P-UB-10	100 mm	140 mm	KOB-LC01V00001R300	385.29	
	LB01V00001F1	LB03U0101-	P-UB-1	100 mm		KOB-LQ01V00007R100	141.03	
	LB01V00001F1	LB03U0101-	N-N-10		140 mm	KOB-LC01V00001R200	271.53	
	LB01V00001F1	LB03U0101-	Bushing	100 mm		KOB-2438U1104S4	62.28	
MODEL SK290LC-6E								
BOOM LH	LB01V00005F1	LB04U02801-	P-UB-10	100 mm	140 mm	KOB-LC01V00001R300	385.29	
	LB01V00005F1	LB04U02801-	P-UB-1	100 mm		KOB-LQ01V00007R100	141.03	
	LB01V00005F1	LB04U02801-	N-N-10		140 mm	KOB-LC01V00001R200	271.53	
	LB01V00005F1	LB04U02801-	Bushing	100 mm		KOB-2438U1104S4	62.28	
	LB01V00005F1	LB04U0298-LB04U02800	P-UB-10	100 mm	140 mm	KOB-LC01V00001R300	385.29	
	LB01V00005F1	LB04U0298-LB04U02800	P-UB-1	100 mm		KOB-LQ01V00007R100	141.03	
	LB01V00005F1	LB04U0298-LB04U02800	N-N-10		140 mm	KOB-LC01V00001R200	271.53	
	LB01V00005F1	LB04U0298-LB04U02800	Bushing	100 mm		KOB-2438U1104S4	62.28	
	LB01V00005F2	LB04U02801-	P-UB-10	100 mm	140 mm	KOB-LC01V00001R300	385.29	
	LB01V00005F2	LB04U02801-	P-UB-1	100 mm		KOB-LQ01V00007R100	141.03	
	LB01V00005F2	LB04U02801-	N-N-10		140 mm	KOB-LC01V00001R200	271.53	
	LB01V00005F2	LB04U02801-	Bushing	100 mm		KOB-2438U1104S4	62.28	
	LB01V00005F2	LB04U0298-LB04U02800	P-UB-10	100 mm	140 mm	KOB-LC01V00001R300	385.29	
	LB01V00005F2	LB04U0298-LB04U02800	P-UB-1	100 mm		KOB-LQ01V00007R100	141.03	
	LB01V00005F2	LB04U0298-LB04U02800	N-N-10		140 mm	KOB-LC01V00001R200	271.53	
	LB01V00005F2	LB04U0298-LB04U02800	Bushing	100 mm		KOB-2438U1104S4	62.28	
	BOOM RH	LB01V00006F1	LB04U02801-	P-UB-10	100 mm	140 mm	KOB-LC01V00001R300	385.29
		LB01V00006F1	LB04U02801-	P-UB-1	100 mm		KOB-LQ01V00007R100	141.03
		LB01V00006F1	LB04U02801-	N-N-10		140 mm	KOB-LC01V00001R200	271.53
		LB01V00006F1	LB04U02801-	Bushing	100 mm		KOB-2438U1104S4	62.28
LB01V00006F1		LB04U0298-LB04U02800	P-UB-10	100 mm	140 mm	KOB-LC01V00001R300	385.29	
LB01V00006F1		LB04U0298-LB04U02800	P-UB-1	100 mm		KOB-LQ01V00007R100	141.03	
LB01V00006F1		LB04U0298-LB04U02800	N-N-10		140 mm	KOB-LC01V00001R200	271.53	
LB01V00006F1		LB04U0298-LB04U02800	Bushing	100 mm		KOB-2438U1104S4	62.28	
LB01V00006F2		LB04U02801-	P-UB-10	100 mm	140 mm	KOB-LC01V00001R300	385.29	
LB01V00006F2		LB04U02801-	P-UB-1	100 mm		KOB-LQ01V00007R100	141.03	
LB01V00006F2		LB04U02801-	N-N-10		140 mm	KOB-LC01V00001R200	271.53	
LB01V00006F2		LB04U02801-	Bushing	100 mm		KOB-2438U1104S4	62.28	
LB01V00006F2		LB04U0298-LB04U02800	P-UB-10	100 mm	140 mm	KOB-LC01V00001R300	385.29	
LB01V00006F2		LB04U0298-LB04U02800	P-UB-1	100 mm		KOB-LQ01V00007R100	141.03	
LB01V00006F2		LB04U0298-LB04U02800	N-N-10		140 mm	KOB-LC01V00001R200	271.53	
LB01V00006F2		LB04U0298-LB04U02800	Bushing	100 mm		KOB-2438U1104S4	62.28	
BUCKET Long Reach		YM01V00009F2	LB04U02801-	P-UB-10	75 mm	105 mm	KOB-YM01V00009R300	361.05
		YM01V00009F2	LB04U02801-	P-UB-1	75 mm		KOB-YM01V00009R100	120.66
		YM01V00009F2	LB04U02801-	N-N-10		105 mm	KOB-YM01V00009R200	240.40
		YM01V00009F2	LB04U0298-LB04U02800	P-UB-10	75 mm	105 mm	KOB-YM01V00009R300	361.05
	YM01V00009F2	LB04U0298-LB04U02800	P-UB-1	75 mm		KOB-YM01V00009R100	120.66	
	YM01V00009F2	LB04U0298-LB04U02800	N-N-10		105 mm	KOB-YM01V00009R200	240.40	
MODEL SK300 III								
ARM	2438U11071F1-F4	LCU0001-	P-UB-10	120 mm	170 mm	KOB-2438U1171R300	674.58	
	2438U11071F1-F4	LCU0001-	P-UB-1	120 mm		KOB-2438U1171R100	233.78	
	2438U11071F1-F4	LCU0001-	N-N-10		170 mm	KOB-2438U1171R200	440.83	
BOOM LH	2438U1177F1-F4	LCU0001-	P-UB-10	100 mm	150 mm	KOB-2438U1170R300	467.13	
	2438U1177F1-F4	LCU0001-	P-UB-1	100 mm		KOB-2438U1170R100	168.89	
	2438U1177F1-F4	LCU0001-	N-N-10		150 mm	KOB-2438U1172R400	305.08	
BOOM RH	2438U1170F1-F4	LCU0001-	P-UB-10	100 mm	150 mm	KOB-2438U1170R300	467.13	

KOBELCO

KOBELCO

Replacement Kits For

Excavators							
APPLICATION	CYL #	SERIAL #	CODE	ROD	BORE	KIT #	List \$
MODEL SK300 III							
BOOM RH	2438U1170F1-F4	LCU0001-	P-UB-1	100 mm		KOB-2438U1170R100	168.89
	2438U1170F1-F4	LCU0001-	N-N-10		150 mm	KOB-2438U1172R400	305.08
BUCKET	2438U1172F1-F5	LCU0001-	P-UB-10	100 mm	150 mm	KOB-2438U1172R500	636.03
	2438U1172F1-F5	LCU0001-	N-N-10		150 mm	KOB-2438U1172R200	298.25
MODEL SK300 IV							
ARM	2438U11071F1-F4	LCU0101-	P-UB-10	120 mm	170 mm	KOB-2438U1171R300	674.58
	2438U11071F1-F4	LCU0101-	P-UB-1	120 mm		KOB-2438U1171R100	233.78
	2438U11071F1-F4	LCU0101-	N-N-10		170 mm	KOB-2438U1171R200	440.83
BOOM LH	2438U1177F1-F4	LCU0101-	P-UB-10	100 mm	150 mm	KOB-2438U1170R300	467.13
	2438U1177F1-F4	LCU0101-	P-UB-1	100 mm		KOB-2438U1170R100	168.89
	2438U1177F1-F4	LCU0101-	N-N-10		150 mm	KOB-2438U1172R400	305.08
BOOM RH	2438U1170F1-F4	LCU0101-	P-UB-10	100 mm	150 mm	KOB-2438U1170R300	467.13
	2438U1170F1-F4	LCU0101-	P-UB-1	100 mm		KOB-2438U1170R100	168.89
	2438U1170F1-F4	LCU0101-	N-N-10		150 mm	KOB-2438U1172R400	305.08
BUCKET	2438U1172F1-F5	LCU0101-	P-UB-10	100 mm	150 mm	KOB-2438U1172R500	636.03
	2438U1172F1-F5	LCU0101-	N-N-10		150 mm	KOB-2438U1172R200	298.25
MODEL SK300LC III							
ARM	2438U11071F1-F4	YCU0001-	P-UB-10	120 mm	170 mm	KOB-2438U1171R300	674.58
	2438U11071F1-F4	YCU0001-	P-UB-1	120 mm		KOB-2438U1171R100	233.78
	2438U11071F1-F4	YCU0001-	N-N-10		170 mm	KOB-2438U1171R200	440.83
BOOM LH	2438U1177F1-F4	YCU0001-	P-UB-10	100 mm	150 mm	KOB-2438U1170R300	467.13
	2438U1177F1-F4	YCU0001-	P-UB-1	100 mm		KOB-2438U1170R100	168.89
	2438U1177F1-F4	YCU0001-	N-N-10		150 mm	KOB-2438U1172R400	305.08
BOOM RH	2438U1170F1-F4	YCU0001-	P-UB-10	100 mm	150 mm	KOB-2438U1170R300	467.13
	2438U1170F1-F4	YCU0001-	P-UB-1	100 mm		KOB-2438U1170R100	168.89
	2438U1170F1-F4	YCU0001-	N-N-10		150 mm	KOB-2438U1172R400	305.08
BUCKET	2438U1172F1-F5	YCU0001-	P-UB-10	100 mm	150 mm	KOB-2438U1172R500	636.03
	2438U1172F1-F5	YCU0001-	N-N-10		150 mm	KOB-2438U1172R200	298.25
MODEL SK300LC IV							
ARM	2438U11071F1-F4	YCU0603, YCU0607, YCU0611-	P-UB-10	120 mm	170 mm	KOB-2438U1171R300	674.58
	2438U11071F1-F4	YCU0603, YCU0607, YCU0611-	P-UB-1	120 mm		KOB-2438U1171R100	233.78
	2438U11071F1-F4	YCU0603, YCU0607, YCU0611-	N-N-10		170 mm	KOB-2438U1171R200	440.83
BOOM LH	2438U1177F1-F4	YCU0603, YCU0607, YCU0611-	P-UB-10	100 mm	150 mm	KOB-2438U1170R300	467.13
	2438U1177F1-F4	YCU0603, YCU0607, YCU0611-	P-UB-1	100 mm		KOB-2438U1170R100	168.89
	2438U1177F1-F4	YCU0603, YCU0607, YCU0611-	N-N-10		150 mm	KOB-2438U1172R400	305.08
BOOM RH	2438U1170F1-F4	YCU0603, YCU0607, YCU0611-	P-UB-10	100 mm	150 mm	KOB-2438U1170R300	467.13
	2438U1170F1-F4	YCU0603, YCU0607, YCU0611-	P-UB-1	100 mm		KOB-2438U1170R100	168.89
	2438U1170F1-F4	YCU0603, YCU0607, YCU0611-	N-N-10		150 mm	KOB-2438U1172R400	305.08
BUCKET	2438U1172F1-F5	YCU0603, YCU0607, YCU0611-	P-UB-10	100 mm	150 mm	KOB-2438U1172R500	636.03
	2438U1172F1-F5	YCU0603, YCU0607, YCU0611-	N-N-10		150 mm	KOB-2438U1172R200	298.25
MODEL SK310 III							
ARM	2438U1129F1	LC04201-	P-UB-10	120 mm	180 mm	KOB-2438U1129R300	588.23
	2438U1129F1	LC04201-	P-UB-1	120 mm		KOB-2438U1129R100	213.90
	2438U1129F1	LC04201-	N-N-10		180 mm	KOB-2445R174R200	374.31
	2438U1137F1	LC04201-	P-UB-10	105 mm	150 mm	KOB-2438U1137R200	461.42
	2438U1137F1	LC04201-	P-UB-1	105 mm		KOB-2438U1137R100	271.96
	2438U1137F1	LC04201-	N-N-10		150 mm	KOB-2438U953R200	582.44
	2438U1171F1	LC04201-	P-UB-10	120 mm	170 mm	KOB-2438U1171R300	674.58
	2438U1171F1	LC04201-	P-UB-1	120 mm		KOB-2438U1171R100	233.78
	2438U1171F1	LC04201-	N-N-10		170 mm	KOB-2438U1171R200	440.83
	2438U1171F2	LC04201-	P-UB-10	120 mm	170 mm	KOB-2438U1171R300	674.58
	2438U1171F2	LC04201-	P-UB-1	120 mm		KOB-2438U1171R100	233.78
	2438U1171F2	LC04201-	N-N-10		170 mm	KOB-2438U1171R200	440.83
	2438U1171F3	LC04201-	P-UB-10	120 mm	170 mm	KOB-2438U1171R300	674.58
	2438U1171F3	LC04201-	P-UB-1	120 mm		KOB-2438U1171R100	233.78

KOBELCO

Replacement Kits For

KOBELCO

Excavators								
APPLICATION	CYL #	SERIAL #	CODE	ROD	BORE	KIT #	List \$	
MODEL SK310 III								
ARM	2438U1171F3	LC04201-	N-N-10		170 mm	KOB-2438U1171R200	440.83	
	2438U1171F4	LC04201-	P-UB-10	120 mm	170 mm	KOB-2438U1171R300	674.58	
	2438U1171F4	LC04201-	P-UB-1	120 mm		KOB-2438U1171R100	233.78	
	2438U1171F4	LC04201-	N-N-10		170 mm	KOB-2438U1171R200	440.83	
BOOM LH	2438U1177F1	LC04201-	P-UB-10	100 mm	150 mm	KOB-2438U1170R300	467.13	
	2438U1177F1	LC04201-	P-UB-1	100 mm		KOB-2438U1170R100	168.89	
	2438U1177F1	LC04201-	N-N-10		150 mm	KOB-2438U1170R200	291.83	
	2438U1177F2	LC04201-	P-UB-10	100 mm	150 mm	KOB-2438U1170R300	467.13	
	2438U1177F2	LC04201-	P-UB-1	100 mm		KOB-2438U1170R100	168.89	
	2438U1177F2	LC04201-	N-N-10		150 mm	KOB-2438U1170R200	291.83	
	2438U1177F3	LC04201-	P-UB-10	100 mm	150 mm	KOB-2438U1170R300	467.13	
	2438U1177F3	LC04201-	P-UB-1	100 mm		KOB-2438U1170R100	168.89	
	2438U1177F3	LC04201-	N-N-10		150 mm	KOB-2438U1170R200	291.83	
	2438U1177F4	LC04201-	P-UB-10	100 mm	150 mm	KOB-2438U1170R300	467.13	
	2438U1177F4	LC04201-	P-UB-1	100 mm		KOB-2438U1170R100	168.89	
	2438U1177F4	LC04201-	N-N-10		150 mm	KOB-2438U1170R200	291.83	
	BOOM RH	2438U1170F1	LC04201-	P-UB-10	100 mm	150 mm	KOB-2438U1170R300	467.13
		2438U1170F1	LC04201-	P-UB-1	100 mm		KOB-2438U1170R100	168.89
2438U1170F1		LC04201-	N-N-10		150 mm	KOB-2438U1170R200	291.83	
2438U1170F2		LC04201-	P-UB-10	100 mm	150 mm	KOB-2438U1170R300	467.13	
2438U1170F2		LC04201-	P-UB-1	100 mm		KOB-2438U1170R100	168.89	
2438U1170F2		LC04201-	N-N-10		150 mm	KOB-2438U1170R200	291.83	
2438U1170F3		LC04201-	P-UB-10	100 mm	150 mm	KOB-2438U1170R300	467.13	
2438U1170F3		LC04201-	P-UB-1	100 mm		KOB-2438U1170R100	168.89	
2438U1170F3		LC04201-	N-N-10		150 mm	KOB-2438U1170R200	291.83	
2438U1170F4		LC04201-	P-UB-10	100 mm	150 mm	KOB-2438U1170R300	467.13	
2438U1170F4		LC04201-	P-UB-1	100 mm		KOB-2438U1170R100	168.89	
2438U1170F4		LC04201-	N-N-10		150 mm	KOB-2438U1170R200	291.83	
BUCKET		2438U1105F1	LC04201-	P-UB-10	80 mm	120 mm	KOB-2438U1105R500	322.18
		2438U1105F1	LC04201-	P-UB-1	80 mm		KOB-2438U1105R400	148.80
	2438U1105F1	LC04201-	N-N-10		120 mm	KOB-2438U1105R200	195.48	
	2438U1172F1	LC04201-	P-UB-10	100 mm	150 mm	KOB-2438U1172R300	529.92	
	2438U1172F1	LC04201-	N-N-10		150 mm	KOB-2438U1172R200	298.25	
	2438U1172F2	LC04201-	N-N-10		150 mm	KOB-2438U1172R400	305.08	
	2438U1172F3	LC04201-	P-UB-10	100 mm	150 mm	KOB-2438U1172R500	636.03	
	2438U1172F3	LC04201-	N-N-10		150 mm	KOB-2438U1172R400	305.08	
	2438U1172F4	LC04201-	P-UB-10	100 mm	150 mm	KOB-2438U1172R500	636.03	
	2438U1172F4	LC04201-	P-UB-1	100 mm		KOB-2438U1172R100	257.97	
	2438U1172F4	LC04201-	N-N-10		150 mm	KOB-2438U1172R400	305.08	
	2438U1172F5	LC04201-	P-UB-10	100 mm	150 mm	KOB-2438U1172R500	636.03	
	2438U1172F5	LC04201-	P-UB-1	100 mm		KOB-2438U1172R100	257.97	
	2438U1172F5	LC04201-	N-N-10		150 mm	KOB-2438U1172R400	305.08	
MODEL SK310LC III								
ARM	2438U1129F1	YC01301-	P-UB-10	120 mm	180 mm	KOB-2438U1129R300	588.23	
	2438U1129F1	YC01301-	P-UB-1	120 mm		KOB-2438U1129R100	213.90	
	2438U1129F1	YC01301-	N-N-10		180 mm	KOB-2445R174R200	374.31	
	2438U1137F1	YC01301-	P-UB-10	105 mm	150 mm	KOB-2438U1137R200	461.42	
	2438U1137F1	YC01301-	P-UB-1	105 mm		KOB-2438U1137R100	271.96	
	2438U1137F1	YC01301-	N-N-10		150 mm	KOB-2438U953R200	582.44	
	2438U1171F1	YC01301-	P-UB-10	120 mm	170 mm	KOB-2438U1171R300	674.58	
	2438U1171F1	YC01301-	P-UB-1	120 mm		KOB-2438U1171R100	233.78	
	2438U1171F1	YC01301-	N-N-10		170 mm	KOB-2438U1171R200	440.83	
	2438U1171F2	YC01301-	P-UB-10	120 mm	170 mm	KOB-2438U1171R300	674.58	
	2438U1171F2	YC01301-	P-UB-1	120 mm		KOB-2438U1171R100	233.78	
	2438U1171F2	YC01301-	N-N-10		170 mm	KOB-2438U1171R200	440.83	

KOBELCO

Replacement Kits For

KOBELCO

Excavators							
APPLICATION	CYL #	SERIAL #	CODE	ROD	BORE	KIT #	List \$
MODEL SK310LC III							
ARM	2438U1171F3	YC01301-	P-UB-10	120 mm	170 mm	KOB-2438U1171R300	674.58
	2438U1171F3	YC01301-	P-UB-1	120 mm		KOB-2438U1171R100	233.78
	2438U1171F3	YC01301-	N-N-10		170 mm	KOB-2438U1171R200	440.83
	2438U1171F4	YC01301-	P-UB-10	120 mm	170 mm	KOB-2438U1171R300	674.58
	2438U1171F4	YC01301-	P-UB-1	120 mm		KOB-2438U1171R100	233.78
	2438U1171F4	YC01301-	N-N-10		150 mm	KOB-2438U1170R200	291.83
BOOM LH	2438U1177F1	YC01301-	P-UB-10	100 mm	150 mm	KOB-2438U1170R300	467.13
	2438U1177F1	YC01301-	P-UB-1	100 mm		KOB-2438U1170R100	168.89
	2438U1177F1	YC01301-	N-N-10		150 mm	KOB-2438U1170R200	291.83
	2438U1177F2	YC01301-	P-UB-10	100 mm	150 mm	KOB-2438U1170R300	467.13
	2438U1177F2	YC01301-	P-UB-1	100 mm		KOB-2438U1170R100	168.89
	2438U1177F2	YC01301-	N-N-10		150 mm	KOB-2438U1170R200	291.83
	2438U1177F3	YC01301-	P-UB-10	100 mm	150 mm	KOB-2438U1170R300	467.13
	2438U1177F3	YC01301-	P-UB-1	100 mm		KOB-2438U1170R100	168.89
	2438U1177F3	YC01301-	N-N-10		150 mm	KOB-2438U1170R200	291.83
	2438U1177F4	YC01301-	P-UB-10	100 mm	150 mm	KOB-2438U1170R300	467.13
	2438U1177F4	YC01301-	P-UB-1	100 mm		KOB-2438U1170R100	168.89
	2438U1177F4	YC01301-	N-N-10		150 mm	KOB-2438U1170R200	291.83
	2438U1170F1	YC01301-	P-UB-10	100 mm	150 mm	KOB-2438U1170R300	467.13
	2438U1170F1	YC01301-	P-UB-1	100 mm		KOB-2438U1170R100	168.89
2438U1170F1	YC01301-	N-N-10		150 mm	KOB-2438U1170R200	291.83	
2438U1170F2	YC01301-	P-UB-10	100 mm	150 mm	KOB-2438U1170R300	467.13	
2438U1170F2	YC01301-	P-UB-1	100 mm		KOB-2438U1170R100	168.89	
2438U1170F2	YC01301-	N-N-10		150 mm	KOB-2438U1170R200	291.83	
2438U1170F3	YC01301-	P-UB-10	100 mm	150 mm	KOB-2438U1170R300	467.13	
2438U1170F3	YC01301-	P-UB-1	100 mm		KOB-2438U1170R100	168.89	
2438U1170F3	YC01301-	N-N-10		150 mm	KOB-2438U1170R200	291.83	
2438U1170F4	YC01301-	P-UB-10	100 mm	150 mm	KOB-2438U1170R300	467.13	
2438U1170F4	YC01301-	P-UB-1	100 mm		KOB-2438U1170R100	168.89	
2438U1170F4	YC01301-	N-N-10		150 mm	KOB-2438U1170R200	291.83	
BUCKET	2438U1105F1	YC01301-	P-UB-10	80 mm	120 mm	KOB-2438U1105R500	322.18
	2438U1105F1	YC01301-	P-UB-1	80 mm		KOB-2438U1105R400	148.80
	2438U1105F1	YC01301-	N-N-10		120 mm	KOB-2438U1105R200	195.48
	2438U1172F1	YC01301-	P-UB-10	100 mm	150 mm	KOB-2438U1172R300	529.92
	2438U1172F1	YC01301-	N-N-10		150 mm	KOB-2438U1172R200	298.25
	2438U1172F2	YC01301-	N-N-10		150 mm	KOB-2438U1172R400	305.08
	2438U1172F3	YC01301-	P-UB-10	100 mm	150 mm	KOB-2438U1172R500	636.03
	2438U1172F3	YC01301-	N-N-10		150 mm	KOB-2438U1172R400	305.08
	2438U1172F4	YC01301-	P-UB-10	100 mm	150 mm	KOB-2438U1172R500	636.03
	2438U1172F4	YC01301-	P-UB-1	100 mm		KOB-2438U1172R100	257.97
	2438U1172F4	YC01301-	N-N-10		150 mm	KOB-2438U1172R400	305.08
	2438U1172F5	YC01301-	P-UB-10	100 mm	150 mm	KOB-2438U1172R500	636.03
	2438U1172F5	YC01301-	P-UB-1	100 mm		KOB-2438U1172R100	257.97
	2438U1172F5	YC01301-	N-N-10		150 mm	KOB-2438U1172R400	305.08
MODEL SK320 III							
ARM	2438U1129F1	LC04201-	P-UB-10	120 mm	180 mm	KOB-2438U1129R300	588.23
	2438U1129F1	LC04201-	P-UB-1	120 mm		KOB-2438U1129R100	213.90
	2438U1129F1	LC04201-	N-N-10		180 mm	KOB-2445R174R200	374.31
	2438U1137F1	LC04201-	P-UB-10	105 mm	150 mm	KOB-2438U1137R200	461.42
	2438U1137F1	LC04201-	P-UB-1	105 mm		KOB-2438U1137R100	271.96
	2438U1137F1	LC04201-	N-N-10		150 mm	KOB-2438U953R200	582.44
	2438U1171F1	LC04201-	P-UB-10	120 mm	170 mm	KOB-2438U1171R300	674.58
	2438U1171F1	LC04201-	P-UB-1	120 mm		KOB-2438U1171R100	233.78
	2438U1171F1	LC04201-	N-N-10		170 mm	KOB-2438U1171R200	440.83
	2438U1171F2	LC04201-	P-UB-10	120 mm	170 mm	KOB-2438U1171R300	674.58

KOBELCO

Replacement Kits For

KOBELCO

Excavators								
APPLICATION	CYL #	SERIAL #	CODE	ROD	BORE	KIT #	List \$	
MODEL SK320 III								
ARM	2438U1171F2	LC04201-	P-UB-1	120 mm		KOB-2438U1171R100	233.78	
	2438U1171F2	LC04201-	N-N-10		170 mm	KOB-2438U1171R200	440.83	
	2438U1171F3	LC04201-	P-UB-10	120 mm	170 mm	KOB-2438U1171R300	674.58	
	2438U1171F3	LC04201-	P-UB-1	120 mm		KOB-2438U1171R100	233.78	
	2438U1171F3	LC04201-	N-N-10		170 mm	KOB-2438U1171R200	440.83	
	2438U1171F4	LC04201-	P-UB-10	120 mm	170 mm	KOB-2438U1171R300	674.58	
	2438U1171F4	LC04201-	P-UB-1	120 mm		KOB-2438U1171R100	233.78	
BOOM LH	2438U1177F1	LC04201-	N-N-10		170 mm	KOB-2438U1171R200	440.83	
	2438U1177F1	LC04201-	P-UB-10	100 mm	150 mm	KOB-2438U1170R300	467.13	
	2438U1177F1	LC04201-	P-UB-1	100 mm		KOB-2438U1170R100	168.89	
	2438U1177F1	LC04201-	N-N-10		150 mm	KOB-2438U1170R200	291.83	
	2438U1177F2	LC04201-	P-UB-10	100 mm	150 mm	KOB-2438U1170R300	467.13	
	2438U1177F2	LC04201-	P-UB-1	100 mm		KOB-2438U1170R100	168.89	
	2438U1177F2	LC04201-	N-N-10		150 mm	KOB-2438U1170R200	291.83	
	2438U1177F3	LC04201-	P-UB-10	100 mm	150 mm	KOB-2438U1170R300	467.13	
	2438U1177F3	LC04201-	P-UB-1	100 mm		KOB-2438U1170R100	168.89	
	2438U1177F3	LC04201-	N-N-10		150 mm	KOB-2438U1170R200	291.83	
	2438U1177F4	LC04201-	P-UB-10	100 mm	150 mm	KOB-2438U1170R300	467.13	
BOOM RH	2438U1177F4	LC04201-	P-UB-1	100 mm		KOB-2438U1170R100	168.89	
	2438U1177F4	LC04201-	N-N-10		150 mm	KOB-2438U1170R200	291.83	
	2438U1170F1	LC04201-	P-UB-10	100 mm	150 mm	KOB-2438U1170R300	467.13	
	2438U1170F1	LC04201-	P-UB-1	100 mm		KOB-2438U1170R100	168.89	
	2438U1170F1	LC04201-	N-N-10		150 mm	KOB-2438U1170R200	291.83	
	2438U1170F2	LC04201-	P-UB-10	100 mm	150 mm	KOB-2438U1170R300	467.13	
	2438U1170F2	LC04201-	P-UB-1	100 mm		KOB-2438U1170R100	168.89	
	2438U1170F2	LC04201-	N-N-10		150 mm	KOB-2438U1170R200	291.83	
	2438U1170F3	LC04201-	P-UB-10	100 mm	150 mm	KOB-2438U1170R300	467.13	
	2438U1170F3	LC04201-	P-UB-1	100 mm		KOB-2438U1170R100	168.89	
	2438U1170F3	LC04201-	N-N-10		150 mm	KOB-2438U1170R200	291.83	
BUCKET	2438U1170F4	LC04201-	P-UB-10	100 mm	150 mm	KOB-2438U1170R300	467.13	
	2438U1170F4	LC04201-	P-UB-1	100 mm		KOB-2438U1170R100	168.89	
	2438U1170F4	LC04201-	N-N-10		150 mm	KOB-2438U1170R200	291.83	
	2438U1105F1	LC04201-	P-UB-10	80 mm	120 mm	KOB-2438U1105R500	322.18	
	2438U1105F1	LC04201-	P-UB-1	80 mm		KOB-2438U1105R400	148.80	
	2438U1105F1	LC04201-	N-N-10		120 mm	KOB-2438U1105R200	195.48	
	2438U1172F1	LC04201-	P-UB-10	100 mm	150 mm	KOB-2438U1172R300	529.92	
	2438U1172F1	LC04201-	N-N-10		150 mm	KOB-2438U1172R200	298.25	
	2438U1172F2	LC04201-	N-N-10		150 mm	KOB-2438U1172R400	305.08	
	2438U1172F3	LC04201-	P-UB-10	100 mm	150 mm	KOB-2438U1172R500	636.03	
	2438U1172F3	LC04201-	N-N-10		150 mm	KOB-2438U1172R400	305.08	
MODEL SK320LC III	2438U1172F4	LC04201-	P-UB-10	100 mm	150 mm	KOB-2438U1172R500	636.03	
	2438U1172F4	LC04201-	P-UB-1	100 mm		KOB-2438U1172R100	257.97	
	2438U1172F4	LC04201-	N-N-10		150 mm	KOB-2438U1172R400	305.08	
	2438U1172F5	LC04201-	P-UB-10	100 mm	150 mm	KOB-2438U1172R500	636.03	
	2438U1172F5	LC04201-	P-UB-1	100 mm		KOB-2438U1172R100	257.97	
	2438U1172F5	LC04201-	N-N-10		150 mm	KOB-2438U1172R400	305.08	
	ARM	2438U1129F1	YC01301-	P-UB-10	120 mm	180 mm	KOB-2438U1129R300	588.23
	ARM	2438U1129F1	YC01301-	P-UB-1	120 mm		KOB-2438U1129R100	213.90
ARM	2438U1129F1	YC01301-	N-N-10		180 mm	KOB-2445R174R200	374.31	
ARM	2438U1137F1	YC01301-	P-UB-10	105 mm	150 mm	KOB-2438U1137R200	461.42	
ARM	2438U1137F1	YC01301-	P-UB-1	105 mm		KOB-2438U1137R100	271.96	
ARM	2438U1137F1	YC01301-	N-N-10		150 mm	KOB-2438U953R200	582.44	
ARM	2438U1171F1	YC01301-	P-UB-10	120 mm	170 mm	KOB-2438U1171R300	674.58	
ARM	2438U1171F1	YC01301-	P-UB-1	120 mm		KOB-2438U1171R100	233.78	

KOBELCO

Replacement Kits For

KOBELCO

Excavators							
APPLICATION	CYL #	SERIAL #	CODE	ROD	BORE	KIT #	List \$
MODEL SK320LC III							
ARM	2438U1171F1	YC01301-	N-N-10		170 mm	KOB-2438U1171R200	440.83
	2438U1171F2	YC01301-	P-UB-10	120 mm	170 mm	KOB-2438U1171R300	674.58
	2438U1171F2	YC01301-	P-UB-1	120 mm		KOB-2438U1171R100	233.78
	2438U1171F2	YC01301-	N-N-10		170 mm	KOB-2438U1171R200	440.83
	2438U1171F3	YC01301-	P-UB-10	120 mm	170 mm	KOB-2438U1171R300	674.58
	2438U1171F3	YC01301-	P-UB-1	120 mm		KOB-2438U1171R100	233.78
	2438U1171F3	YC01301-	N-N-10		170 mm	KOB-2438U1171R200	440.83
	2438U1171F4	YC01301-	P-UB-10	120 mm	170 mm	KOB-2438U1171R300	674.58
	2438U1171F4	YC01301-	P-UB-1	120 mm		KOB-2438U1171R100	233.78
BOOM LH	2438U1177F1	YC01301-	N-N-10		170 mm	KOB-2438U1171R200	440.83
	2438U1177F1	YC01301-	P-UB-10	100 mm	150 mm	KOB-2438U1170R300	467.13
	2438U1177F1	YC01301-	P-UB-1	100 mm		KOB-2438U1170R100	168.89
	2438U1177F1	YC01301-	N-N-10		150 mm	KOB-2438U1170R200	291.83
	2438U1177F2	YC01301-	P-UB-10	100 mm	150 mm	KOB-2438U1170R300	467.13
	2438U1177F2	YC01301-	P-UB-1	100 mm		KOB-2438U1170R100	168.89
	2438U1177F2	YC01301-	N-N-10		150 mm	KOB-2438U1170R200	291.83
	2438U1177F3	YC01301-	P-UB-10	100 mm	150 mm	KOB-2438U1170R300	467.13
	2438U1177F3	YC01301-	P-UB-1	100 mm		KOB-2438U1170R100	168.89
	2438U1177F3	YC01301-	N-N-10		150 mm	KOB-2438U1170R200	291.83
	2438U1177F4	YC01301-	P-UB-10	100 mm	150 mm	KOB-2438U1170R300	467.13
	2438U1177F4	YC01301-	P-UB-1	100 mm		KOB-2438U1170R100	168.89
BOOM RH	2438U1170F1	YC01301-	N-N-10		150 mm	KOB-2438U1170R200	291.83
	2438U1170F1	YC01301-	P-UB-10	100 mm	150 mm	KOB-2438U1170R300	467.13
	2438U1170F1	YC01301-	P-UB-1	100 mm		KOB-2438U1170R100	168.89
	2438U1170F2	YC01301-	N-N-10		150 mm	KOB-2438U1170R200	291.83
	2438U1170F2	YC01301-	P-UB-10	100 mm	150 mm	KOB-2438U1170R300	467.13
	2438U1170F2	YC01301-	P-UB-1	100 mm		KOB-2438U1170R100	168.89
	2438U1170F3	YC01301-	N-N-10		150 mm	KOB-2438U1170R200	291.83
	2438U1170F3	YC01301-	P-UB-10	100 mm	150 mm	KOB-2438U1170R300	467.13
	2438U1170F3	YC01301-	P-UB-1	100 mm		KOB-2438U1170R100	168.89
	2438U1170F3	YC01301-	N-N-10		150 mm	KOB-2438U1170R200	291.83
	2438U1170F4	YC01301-	P-UB-10	100 mm	150 mm	KOB-2438U1170R300	467.13
	2438U1170F4	YC01301-	P-UB-1	100 mm		KOB-2438U1170R100	168.89
BUCKET	2438U1170F4	YC01301-	N-N-10		150 mm	KOB-2438U1170R200	291.83
	2438U1105F1	YC01301-	P-UB-10	80 mm	120 mm	KOB-2438U1105R500	322.18
	2438U1105F1	YC01301-	P-UB-1	80 mm		KOB-2438U1105R400	148.80
	2438U1105F1	YC01301-	N-N-10		120 mm	KOB-2438U1105R200	195.48
	2438U1172F1	YC01301-	P-UB-10	100 mm	150 mm	KOB-2438U1172R300	529.92
	2438U1172F1	YC01301-	N-N-10		150 mm	KOB-2438U1172R200	298.25
	2438U1172F2	YC01301-	N-N-10		150 mm	KOB-2438U1172R400	305.08
	2438U1172F3	YC01301-	P-UB-10	100 mm	150 mm	KOB-2438U1172R500	636.03
	2438U1172F3	YC01301-	N-N-10		150 mm	KOB-2438U1172R400	305.08
	2438U1172F4	YC01301-	P-UB-10	100 mm	150 mm	KOB-2438U1172R500	636.03
	2438U1172F4	YC01301-	P-UB-1	100 mm		KOB-2438U1172R100	257.97
	2438U1172F4	YC01301-	N-N-10		150 mm	KOB-2438U1172R400	305.08
MODEL SK330 IV	2438U1171F1	LCU0101-	P-UB-10	100 mm	150 mm	KOB-2438U1172R500	636.03
	2438U1172F5	YC01301-	P-UB-10	100 mm	150 mm	KOB-2438U1172R500	636.03
	2438U1172F5	YC01301-	P-UB-1	100 mm		KOB-2438U1172R100	257.97
	2438U1172F5	YC01301-	N-N-10		150 mm	KOB-2438U1172R400	305.08
	2438U1171F1	LCU0101-	N-N-10		170 mm	KOB-2438U1171R200	440.83
ARM	2438U1171F2	LCU0101-	P-UB-10	120 mm	170 mm	KOB-2438U1171R300	674.58
	2438U1171F2	LCU0101-	P-UB-1	120 mm		KOB-2438U1171R100	233.78
	2438U1171F2	LCU0101-	N-N-10		170 mm	KOB-2438U1171R200	440.83
	2438U1171F3	LCU0101-	P-UB-10	120 mm	170 mm	KOB-2438U1171R300	674.58
	2438U1171F3	LCU0101-	P-UB-1	120 mm		KOB-2438U1171R100	233.78

KOBELCO

Replacement Kits For

KOBELCO

Excavators								
APPLICATION	CYL #	SERIAL #	CODE	ROD	BORE	KIT #	List \$	
MODEL SK330 IV								
ARM	2438U1171F3	LCU0101-	N-N-10		170 mm	KOB-2438U1171R200	440.83	
	2438U1171F4	LCU0101-	P-UB-10	120 mm	170 mm	KOB-2438U1171R300	674.58	
	2438U1171F4	LCU0101-	P-UB-1	120 mm		KOB-2438U1171R100	233.78	
	2438U1171F4	LCU0101-	N-N-10		170 mm	KOB-2438U1171R200	440.83	
BOOM LH	2438U1177F1	LCU0101-	P-UB-10	100 mm	150 mm	KOB-2438U1170R300	467.13	
	2438U1177F1	LCU0101-	Bushing	100 mm		KOB-2438U1104S4	62.28	
	2438U1177F2	LCU0101-	P-UB-10	100 mm	150 mm	KOB-2438U1170R300	467.13	
	2438U1177F2	LCU0101-	P-UB-1	100 mm		KOB-2438U1170R100	168.89	
	2438U1177F2	LCU0101-	N-N-10		150 mm	KOB-2438U1172R400	305.08	
	2438U1177F2	LCU0101-	Bushing	100 mm		KOB-2438U1104S4	62.28	
	2438U1177F3	LCU0101-	P-UB-1	100 mm		KOB-2438U1170R100	168.89	
	2438U1177F3	LCU0101-	N-N-10		150 mm	KOB-2438U1172R400	305.08	
	2438U1177F3	LCU0101-	Bushing	100 mm		KOB-2438U1104S4	62.28	
	2438U1177F4	LCU0101-	P-UB-10	100 mm	150 mm	KOB-2438U1170R300	467.13	
	2438U1177F4	LCU0101-	P-UB-1	100 mm		KOB-2438U1170R100	168.89	
	2438U1177F4	LCU0101-	N-N-10		150 mm	KOB-2438U1172R400	305.08	
	2438U1177F4	LCU0101-	Bushing	100 mm		KOB-2438U1104S4	62.28	
	BOOM RH	2438U1170F1	LCU0101-	P-UB-10	100 mm	150 mm	KOB-2438U1170R300	467.13
2438U1170F1		LCU0101-	P-UB-1	100 mm		KOB-2438U1170R100	168.89	
2438U1170F1		LCU0101-	N-N-10		150 mm	KOB-2438U1172R400	305.08	
2438U1170F1		LCU0101-	Bushing	100 mm		KOB-2438U1104S4	62.28	
2438U1170F2		LCU0101-	P-UB-10	100 mm	150 mm	KOB-2438U1170R300	467.13	
2438U1170F2		LCU0101-	P-UB-1	100 mm		KOB-2438U1170R100	168.89	
2438U1170F2		LCU0101-	N-N-10		150 mm	KOB-2438U1172R400	305.08	
2438U1170F2		LCU0101-	Bushing	100 mm		KOB-2438U1104S4	62.28	
2438U1170F3		LCU0101-	P-UB-10	100 mm	150 mm	KOB-2438U1170R300	467.13	
2438U1170F3		LCU0101-	P-UB-1	100 mm		KOB-2438U1170R100	168.89	
2438U1170F3		LCU0101-	N-N-10		150 mm	KOB-2438U1172R400	305.08	
2438U1170F3		LCU0101-	Bushing	100 mm		KOB-2438U1104S4	62.28	
2438U1170F4		LCU0101-	P-UB-10	100 mm	150 mm	KOB-2438U1170R300	467.13	
2438U1170F4		LCU0101-	P-UB-1	100 mm		KOB-2438U1170R100	168.89	
2438U1170F4		LCU0101-	N-N-10		150 mm	KOB-2438U1172R400	305.08	
2438U1170F4		LCU0101-	Bushing	100 mm		KOB-2438U1104S4	62.28	
BUCKET		2438U1172F1	LCU0101-	P-UB-10	100 mm	150 mm	KOB-2438U1172R300	529.92
		2438U1172F1	LCU0101-	P-UB-1	100 mm		KOB-2438U1170R100	168.89
	2438U1172F1	LCU0101-	N-N-10		150 mm	KOB-2438U1172R400	305.08	
	2438U1172F1	LCU0101-	Bushing	100 mm		KOB-2438U1104S4	62.28	
	2438U1172F2	LCU0101-	P-UB-10	100 mm	150 mm	KOB-2438U1172R300	529.92	
	2438U1172F2	LCU0101-	P-UB-1	100 mm		KOB-2438U1170R100	168.89	
	2438U1172F2	LCU0101-	N-N-10		150 mm	KOB-2438U1172R400	305.08	
	2438U1172F2	LCU0101-	Bushing	100 mm		KOB-2438U1104S4	62.28	
	2438U1172F3	LCU0101-	P-UB-10	100 mm	150 mm	KOB-2438U1172R500	636.03	
	2438U1172F3	LCU0101-	P-UB-1	100 mm		KOB-2438U1170R100	168.89	
	2438U1172F3	LCU0101-	N-N-10		150 mm	KOB-2438U1172R400	305.08	
	2438U1172F3	LCU0101-	Bushing	100 mm		KOB-2438U1104S4	62.28	
	2438U1172F4	LCU0101-	P-UB-10	100 mm	150 mm	KOB-2438U1172R300	529.92	
	2438U1172F4	LCU0101-	P-UB-1	100 mm		KOB-2438U1172R100	257.97	
	2438U1172F4	LCU0101-	N-N-10		150 mm	KOB-2438U1172R400	305.08	
	2438U1172F4	LCU0101-	Bushing	100 mm		KOB-2438U1104S4	62.28	
	2438U1172F5	LCU0101-	P-UB-10	100 mm	150 mm	KOB-2438U1172R300	529.92	
	2438U1172F5	LCU0101-	P-UB-1	100 mm		KOB-2438U1172R100	257.97	
2438U1172F5	LCU0101-	N-N-10		150 mm	KOB-2438U1172R400	305.08		
2438U1172F5	LCU0101-	Bushing	100 mm		KOB-2438U1104S4	62.28		
MODEL SK330-6E								
ARM	LC01V00005F1	LCC-02001-	P-UB-10	120 mm	170 mm	KOB-LC01V00005R300	762.17	

KOBELCO

Replacement Kits For

KOBELCO

Excavators								
APPLICATION	CYL #	SERIAL #	CODE	ROD	BORE	KIT #	List \$	
MODEL SK330-6E								
ARM	LC01V00005F1	LCC-02001-	P-UB-1	120 mm		KOB-LC01V00005R100	233.78	
	LC01V00005F1	LCC-02001-	N-N-10		170 mm	KOB-LC01V00005R200	533.45	
BOOM LH	LC01V00002F1	LCC-02001-	P-UB-10	100 mm	140 mm	KOB-LC01V00001R300	385.29	
	LC01V00002F1	LCC-02001-	P-UB-1	100 mm		KOB-LQ01V00007R100	141.03	
	LC01V00002F1	LCC-02001-	N-N-10		140 mm	KOB-LC01V00001R200	271.53	
	LC01V00002F1	LCC-02001-	Bushing	100 mm		KOB-2438U1104S4	62.28	
BOOM RH	LC01V00001F1	LCC-02001-	P-UB-10	100 mm	140 mm	KOB-LC01V00001R300	385.29	
	LC01V00001F1	LCC-02001-	P-UB-1	100 mm		KOB-LQ01V00007R100	141.03	
	LC01V00001F1	LCC-02001-	N-N-10		140 mm	KOB-LC01V00001R200	271.53	
	LC01V00001F1	LCC-02001-	Bushing	100 mm		KOB-2438U1104S4	62.28	
BUCKET	LC01V00006F1	LCC-02001-	P-UB-10	100 mm	150 mm	KOB-LC01V00006R300	471.83	
	LC01V00006F1	LCC-02001-	P-UB-1	100 mm		KOB-LC01V00006R100	148.94	
	LC01V00006F1	LCC-02001-	N-N-10		150 mm	KOB-LC01V00006R200	322.90	
	LC01V00006F1	LCC-02001-	Bushing	100 mm		KOB-2438U1104S4	62.28	
MODEL SK330-8								
ARM	LC01V00054F1	LC10-07001-	P-UB-10	120 mm	170 mm	KOB-LC01V00054R300	1040.13	
	LC01V00054F1	LC10-07001-	P-UB-1	120 mm		KOB-LC01V00054R100	219.75	
	LC01V00054F1	LC10-07001-	N-N-10		170 mm	KOB-LC01V00054R200	852.66	
	LC01V00054F1	LC10-C5001-	P-UB-10	120 mm	170 mm	KOB-LC01V00054R300	1040.13	
	LC01V00054F1	LC10-C5001-	P-UB-1	120 mm		KOB-LC01V00054R100	219.75	
	LC01V00054F1	LC10-C5001-	N-N-10		170 mm	KOB-LC01V00054R200	852.66	
	LC01V00054F2	LC10-07001-	P-UB-10	120 mm	170 mm	KOB-LC01V00054R300	1040.13	
	LC01V00054F2	LC10-07001-	P-UB-1	120 mm		KOB-LC01V00054R100	219.75	
	LC01V00054F2	LC10-07001-	N-N-10		170 mm	KOB-LC01V00054R200	852.66	
	LC01V00054F2	LC10-C5001-	P-UB-10	120 mm	170 mm	KOB-LC01V00054R300	1040.13	
	LC01V00054F2	LC10-C5001-	P-UB-1	120 mm		KOB-LC01V00054R100	219.75	
	LC01V00054F2	LC10-C5001-	N-N-10		170 mm	KOB-LC01V00054R200	852.66	
	BOOM	LC01V00044F1	LC10-07001-	P-UB-10	100 mm	140 mm	KOB-LC01V00044R300	502.75
		LC01V00044F1	LC10-07001-	P-UB-1	100 mm		KOB-LC01V00044R100	148.45
LC01V00044F1		LC10-07001-	N-N-10		140 mm	KOB-LC01V00044R200	354.32	
LC01V00044F1		LC10-07001-	Bushing	100 mm		KOB-2438U1104S4	62.28	
LC01V00044F1		LC10-C5001-	P-UB-10	100 mm	140 mm	KOB-LC01V00044R300	502.75	
LC01V00044F1		LC10-C5001-	P-UB-1	100 mm		KOB-LC01V00044R100	148.45	
LC01V00044F1		LC10-C5001-	N-N-10		140 mm	KOB-LC01V00044R200	354.32	
LC01V00044F1		LC10-C5001-	Bushing	100 mm		KOB-2438U1104S4	62.28	
BUCKET	LC01V00055F1	LC10-07001-	P-UB-10	100 mm	150 mm	KOB-LC01V00055R300	597.63	
	LC01V00055F1	LC10-07001-	P-UB-1	100 mm		KOB-LC01V00055R100	148.94	
	LC01V00055F1	LC10-07001-	N-N-10		150 mm	KOB-LC01V00055R200	448.67	
	LC01V00055F1	LC10-07001-	Bushing	100 mm		KOB-2438U1104S4	62.28	
	LC01V00055F1	LC10-C5001-	P-UB-10	100 mm	150 mm	KOB-LC01V00055R300	597.63	
	LC01V00055F1	LC10-C5001-	P-UB-1	100 mm		KOB-LC01V00055R100	148.94	
	LC01V00055F1	LC10-C5001-	N-N-10		150 mm	KOB-LC01V00055R200	448.67	
	LC01V00055F1	LC10-C5001-	Bushing	100 mm		KOB-2438U1104S4	62.28	
	LC01V00055F2	LC10-07001-	P-UB-10	100 mm	150 mm	KOB-LC01V00055R300	597.63	
	LC01V00055F2	LC10-07001-	P-UB-1	100 mm		KOB-LC01V00055R100	148.94	
	LC01V00055F2	LC10-07001-	N-N-10		150 mm	KOB-LC01V00055R200	448.67	
	LC01V00055F2	LC10-07001-	Bushing	100 mm		KOB-2438U1104S4	62.28	
	LC01V00055F2	LC10-C5001-	P-UB-10	100 mm	150 mm	KOB-LC01V00055R300	597.63	
	LC01V00055F2	LC10-C5001-	P-UB-1	100 mm		KOB-LC01V00055R100	148.94	
LC01V00055F2	LC10-C5001-	N-N-10		150 mm	KOB-LC01V00055R200	448.67		
LC01V00055F2	LC10-C5001-	Bushing	100 mm		KOB-2438U1104S4	62.28		
MODEL SK330LC								
ARM	LC01V00005F1	YC06U0101-	P-UB-10	120 mm	170 mm	KOB-LC01V00005R300	762.17	
	LC01V00005F1	YC06U0101-	P-UB-1	120 mm		KOB-LC01V00005R100	233.78	
	LC01V00005F1	YC06U0101-	N-N-10		170 mm	KOB-LC01V00005R200	533.45	

KOBELCO

Replacement Kits For

KOBELCO

Excavators							
APPLICATION	CYL #	SERIAL #	CODE	ROD	BORE	KIT #	List \$
MODEL SK330LC							
BOOM LH	LC01V00002F1	YC06U0101-	P-UB-10	100 mm	140 mm	KOB-LC01V00001R300	385.29
	LC01V00002F1	YC06U0101-	P-UB-1	100 mm		KOB-LQ01V00007R100	141.03
	LC01V00002F1	YC06U0101-	N-N-10		140 mm	KOB-LC01V00001R200	271.53
	LC01V00002F1	YC06U0101-	Bushing	100 mm		KOB-2438U1104S4	62.28
BOOM RH	LC01V00001F1	YC06U0101-	P-UB-10	100 mm	140 mm	KOB-LC01V00001R300	385.29
	LC01V00001F1	YC06U0101-	P-UB-1	100 mm		KOB-LQ01V00007R100	141.03
	LC01V00001F1	YC06U0101-	N-N-10		140 mm	KOB-LC01V00001R200	271.53
	LC01V00001F1	YC06U0101-	Bushing	100 mm		KOB-2438U1104S4	62.28
BUCKET	LC01V00006F1	YC06U0101-	P-UB-10	100 mm	150 mm	KOB-LC01V00006R300	471.83
	LC01V00006F1	YC06U0101-	P-UB-1	100 mm		KOB-LC01V00006R100	148.94
	LC01V00006F1	YC06U0101-	N-N-10		150 mm	KOB-LC01V00006R200	322.90
	LC01V00006F1	YC06U0101-	Bushing	100 mm		KOB-2438U1104S4	62.28
MODEL SK330LC IV							
ARM	2438U1171F2	YCU0603, YCU0611-	P-UB-10	120 mm	170 mm	KOB-2438U1171R300	674.58
	2438U1171F2	YCU0603, YCU0611-	P-UB-1	120 mm		KOB-2438U1171R100	233.78
	2438U1171F2	YCU0603, YCU0611-	N-N-10		170 mm	KOB-2438U1171R200	440.83
	2438U1171F3	YCU0603, YCU0611-	P-UB-10	120 mm	170 mm	KOB-2438U1171R300	674.58
	2438U1171F3	YCU0603, YCU0611-	P-UB-1	120 mm		KOB-2438U1171R100	233.78
	2438U1171F3	YCU0603, YCU0611-	N-N-10		170 mm	KOB-2438U1171R200	440.83
	2438U1171F4	YCU0603, YCU0611-	P-UB-10	120 mm	170 mm	KOB-2438U1171R300	674.58
	2438U1171F4	YCU0603, YCU0611-	P-UB-1	120 mm		KOB-2438U1171R100	233.78
BOOM LH	2438U1171F4	YCU0603, YCU0611-	N-N-10		170 mm	KOB-2438U1171R200	440.83
	2438U1171F4	YCU0603, YCU0611-	P-UB-10	120 mm	170 mm	KOB-2438U1171R300	674.58
	2438U1171F4	YCU0603, YCU0611-	P-UB-1	120 mm		KOB-2438U1171R100	233.78
	2438U1171F4	YCU0603, YCU0611-	N-N-10		170 mm	KOB-2438U1171R200	440.83
	2438U1177F1	YCU0603, YCU0611-	P-UB-10	100 mm	150 mm	KOB-2438U1170R300	467.13
	2438U1177F1	YCU0603, YCU0611-	N-N-10		150 mm	KOB-2438U1172R400	305.08
	2438U1177F1	YCU0603, YCU0611-	Bushing	100 mm		KOB-2438U1104S4	62.28
	2438U1177F2	YCU0603, YCU0611-	P-UB-10	100 mm	150 mm	KOB-2438U1170R300	467.13
	2438U1177F2	YCU0603, YCU0611-	P-UB-1	100 mm		KOB-2438U1170R100	168.89
	2438U1177F2	YCU0603, YCU0611-	N-N-10		150 mm	KOB-2438U1172R400	305.08
	2438U1177F2	YCU0603, YCU0611-	Bushing	100 mm		KOB-2438U1104S4	62.28
	2438U1177F3	YCU0603, YCU0611-	P-UB-1	100 mm		KOB-2438U1170R100	168.89
	2438U1177F3	YCU0603, YCU0611-	N-N-10		150 mm	KOB-2438U1172R400	305.08
	2438U1177F3	YCU0603, YCU0611-	Bushing	100 mm		KOB-2438U1104S4	62.28
	2438U1177F4	YCU0603, YCU0611-	P-UB-10	100 mm	150 mm	KOB-2438U1170R300	467.13
	2438U1177F4	YCU0603, YCU0611-	P-UB-1	100 mm		KOB-2438U1170R100	168.89
2438U1177F4	YCU0603, YCU0611-	N-N-10		150 mm	KOB-2438U1172R400	305.08	
BOOM RH	2438U1177F4	YCU0603, YCU0611-	Bushing	100 mm		KOB-2438U1104S4	62.28
	2438U1170F1	YCU0603, YCU0611-	P-UB-10	100 mm	150 mm	KOB-2438U1172R300	529.92
	2438U1170F1	YCU0603, YCU0611-	P-UB-1	100 mm		KOB-2438U1172R100	257.97
	2438U1170F1	YCU0603, YCU0611-	N-N-10		150 mm	KOB-2438U1172R400	305.08
	2438U1170F1	YCU0603, YCU0611-	Bushing	100 mm		KOB-2438U1104S4	62.28
	2438U1170F2	YCU0603, YCU0611-	P-UB-10	100 mm	150 mm	KOB-2438U1170R300	467.13
	2438U1170F2	YCU0603, YCU0611-	P-UB-1	100 mm		KOB-2438U1170R100	168.89
	2438U1170F2	YCU0603, YCU0611-	N-N-10		150 mm	KOB-2438U1172R400	305.08
	2438U1170F2	YCU0603, YCU0611-	Bushing	100 mm		KOB-2438U1104S4	62.28
	2438U1170F3	YCU0603, YCU0611-	P-UB-10	100 mm	150 mm	KOB-2438U1170R300	467.13
	2438U1170F3	YCU0603, YCU0611-	P-UB-1	100 mm		KOB-2438U1170R100	168.89
	2438U1170F3	YCU0603, YCU0611-	N-N-10		150 mm	KOB-2438U1172R400	305.08
	2438U1170F3	YCU0603, YCU0611-	Bushing	100 mm		KOB-2438U1104S4	62.28
	2438U1170F4	YCU0603, YCU0611-	P-UB-10	100 mm	150 mm	KOB-2438U1170R300	467.13
	2438U1170F4	YCU0603, YCU0611-	P-UB-1	100 mm		KOB-2438U1170R100	168.89
	2438U1170F4	YCU0603, YCU0611-	N-N-10		150 mm	KOB-2438U1172R400	305.08
BUCKET	2438U1172F1	YCU0603, YCU0611-	Bushing	100 mm		KOB-2438U1104S4	62.28
	2438U1172F1	YCU0603, YCU0611-	P-UB-10	100 mm	150 mm	KOB-2438U1172R300	529.92
	2438U1172F1	YCU0603, YCU0611-	P-UB-1	100 mm		KOB-2438U1170R100	168.89
	2438U1172F1	YCU0603, YCU0611-	N-N-10		150 mm	KOB-2438U1172R400	305.08

KOBELCO

Replacement Kits For

KOBELCO

Excavators							
APPLICATION	CYL #	SERIAL #	CODE	ROD	BORE	KIT #	List \$
MODEL SK330LC IV							
BUCKET	2438U1172F1	YCU0603, YCU0611-	Bushing	100 mm		KOB-2438U1104S4	62.28
	2438U1172F2	YCU0603, YCU0611-	P-UB-10	100 mm	150 mm	KOB-2438U1172R300	529.92
	2438U1172F2	YCU0603, YCU0611-	N-N-10		150 mm	KOB-2438U1172R400	305.08
	2438U1172F2	YCU0603, YCU0611-	P-UB-1	100 mm		KOB-2438U1170R100	168.89
	2438U1172F2	YCU0603, YCU0611-	Bushing	100 mm		KOB-2438U1104S4	62.28
	2438U1172F3	YCU0603, YCU0611-	P-UB-10	100 mm	150 mm	KOB-2438U1172R500	636.03
	2438U1172F3	YCU0603, YCU0611-	P-UB-1	100 mm		KOB-2438U1170R100	168.89
	2438U1172F3	YCU0603, YCU0611-	N-N-10		150 mm	KOB-2438U1172R400	305.08
	2438U1172F3	YCU0603, YCU0611-	Bushing	100 mm		KOB-2438U1104S4	62.28
	2438U1172F4	YCU0603, YCU0611-	P-UB-10	100 mm	150 mm	KOB-2438U1172R500	636.03
	2438U1172F4	YCU0603, YCU0611-	P-UB-1	100 mm		KOB-2438U1170R100	168.89
	2438U1172F4	YCU0603, YCU0611-	N-N-10		150 mm	KOB-2438U1172R400	305.08
	2438U1172F4	YCU0603, YCU0611-	Bushing	100 mm		KOB-2438U1104S4	62.28
	2438U1172F5	YCU0603, YCU0611-	P-UB-10	100 mm	150 mm	KOB-2438U1172R500	636.03
	2438U1172F5	YCU0603, YCU0611-	P-UB-1	100 mm		KOB-2438U1170R100	168.89
2438U1172F5	YCU0603, YCU0611-	N-N-10		150 mm	KOB-2438U1172R400	305.08	
2438U1172F5	YCU0603, YCU0611-	Bushing	100 mm		KOB-2438U1104S4	62.28	
MODEL SK330LC-6E							
ARM	LC01V00005F2	YC07U0623-	P-UB-10	120 mm	170 mm	KOB-LC01V00005R300	762.17
	LC01V00005F2	YC07U0623-	P-UB-1	120 mm		KOB-LC01V00005R100	233.78
	LC01V00005F2	YC07U0623-	N-N-10		170 mm	KOB-LC01V00005R200	533.45
BOOM LH	LC01V00002F3	YC07U0623-	P-UB-10	100 mm	140 mm	KOB-LC01V00001R300	385.29
	LC01V00002F3	YC07U0623-	P-UB-1	100 mm		KOB-LQ01V00007R100	141.03
	LC01V00002F3	YC07U0623-	N-N-10		140 mm	KOB-LC01V00001R200	271.53
BOOM RH	LC01V00002F3	YC07U0623-	Bushing	100 mm		KOB-2438U1104S4	62.28
	LC01V00001F3	YC07U0623-	P-UB-10	100 mm	140 mm	KOB-LC01V00001R300	385.29
	LC01V00001F3	YC07U0623-	P-UB-1	100 mm		KOB-LQ01V00007R100	141.03
BUCKET	LC01V00001F3	YC07U0623-	N-N-10		140 mm	KOB-LC01V00001R200	271.53
	LC01V00001F3	YC07U0623-	Bushing	100 mm		KOB-2438U1104S4	62.28
	LC01V00006F3	YC07U0623-	P-UB-10	100 mm	150 mm	KOB-LC01V00006R300	471.83
BUCKET	LC01V00006F3	YC07U0623-	P-UB-1	100 mm		KOB-LC01V00006R100	148.94
	LC01V00006F3	YC07U0623-	N-N-10		150 mm	KOB-LC01V00006R200	322.90
	LC01V00006F3	YC07U0623-	Bushing	100 mm		KOB-2438U1104S4	62.28
MODEL SK350-8							
ARM	LC01V00054F1		P-UB-10	120 mm	170 mm	KOB-LC01V00054R300	1040.13
	LC01V00054F1		P-UB-1	120 mm		KOB-LC01V00054R100	219.75
	LC01V00054F1		N-N-10		170 mm	KOB-LC01V00054R200	852.66
	LC01V00054F2		P-UB-10	120 mm	170 mm	KOB-LC01V00054R300	1040.13
	LC01V00054F2		P-UB-1	120 mm		KOB-LC01V00054R100	219.75
	LC01V00054F2		N-N-10		170 mm	KOB-LC01V00054R200	852.66
BOOM	LC01V00044F1		P-UB-10	100 mm	140 mm	KOB-LC01V00044R300	502.75
	LC01V00044F1		P-UB-1	100 mm		KOB-LC01V00044R100	148.45
	LC01V00044F1		N-N-10		140 mm	KOB-LC01V00044R200	354.32
BUCKET	LC01V00044F1		Bushing	100 mm		KOB-2438U1104S4	62.28
	LC01V00055F1		P-UB-10	100 mm	150 mm	KOB-LC01V00055R300	597.63
	LC01V00055F1		P-UB-1	100 mm		KOB-LC01V00055R100	148.94
	LC01V00055F1		N-N-10		150 mm	KOB-LC01V00055R200	448.67
	LC01V00055F1		Bushing	100 mm		KOB-2438U1104S4	62.28
	LC01V00055F2		P-UB-10	100 mm	150 mm	KOB-LC01V00055R300	597.63
BUCKET	LC01V00055F2		P-UB-1	100 mm		KOB-LC01V00055R100	148.94
	LC01V00055F2		N-N-10		150 mm	KOB-LC01V00055R200	448.67
BUCKET	LC01V00055F2		Bushing	100 mm		KOB-2438U1104S4	62.28
	LC01V00055F2		Bushing	100 mm		KOB-2438U1104S4	62.28
MODEL SK350LC-8							
ARM	LC01V00054F1	YC10-03501-	P-UB-10	120 mm	170 mm	KOB-LC01V00054R300	1040.13
	LC01V00054F1	YC10-03501-	P-UB-1	120 mm		KOB-LC01V00054R100	219.75

KOBELCO

Replacement Kits For

KOBELCO

Excavators								
APPLICATION	CYL #	SERIAL #	CODE	ROD	BORE	KIT #	List \$	
MODEL SK350LC-8								
ARM	LC01V00054F1	YC10-03501-	N-N-10		170 mm	KOB-LC01V00054R200	852.66	
	LC01V00054F1	YC10-C5001-	P-UB-10	120 mm	170 mm	KOB-LC01V00054R300	1040.13	
	LC01V00054F1	YC10-C5001-	P-UB-1	120 mm		KOB-LC01V00054R100	219.75	
	LC01V00054F1	YC10-C5001-	N-N-10		170 mm	KOB-LC01V00054R200	852.66	
	LC01V00054F2	YC10-03501-	P-UB-10	120 mm	170 mm	KOB-LC01V00054R300	1040.13	
	LC01V00054F2	YC10-03501-	P-UB-1	120 mm		KOB-LC01V00054R100	219.75	
	LC01V00054F2	YC10-03501-	N-N-10		170 mm	KOB-LC01V00054R200	852.66	
	LC01V00054F2	YC10-C5001-	P-UB-10	120 mm	170 mm	KOB-LC01V00054R300	1040.13	
	LC01V00054F2	YC10-C5001-	P-UB-1	120 mm		KOB-LC01V00054R100	219.75	
	LC01V00054F2	YC10-C5001-	N-N-10		170 mm	KOB-LC01V00054R200	852.66	
	BOOM	LC01V00044F1	YC10-03501-	P-UB-10	100 mm	140 mm	KOB-LC01V00044R300	502.75
		LC01V00044F1	YC10-03501-	P-UB-1	100 mm		KOB-LC01V00044R100	148.45
LC01V00044F1		YC10-03501-	N-N-10		140 mm	KOB-LC01V00044R200	354.32	
LC01V00044F1		YC10-03501-	Bushing	100 mm		KOB-2438U1104S4	62.28	
LC01V00044F1		YC10-C5001-	P-UB-10	100 mm	140 mm	KOB-LC01V00044R300	502.75	
LC01V00044F1		YC10-C5001-	P-UB-1	100 mm		KOB-LC01V00044R100	148.45	
LC01V00044F1		YC10-C5001-	N-N-10		140 mm	KOB-LC01V00044R200	354.32	
LC01V00044F1		YC10-C5001-	Bushing	100 mm		KOB-2438U1104S4	62.28	
BUCKET		LC01V00055F1	YC10-03501-	P-UB-10	100 mm	150 mm	KOB-LC01V00055R300	597.63
		LC01V00055F1	YC10-03501-	P-UB-1	100 mm		KOB-LC01V00055R100	148.94
		LC01V00055F1	YC10-03501-	N-N-10		150 mm	KOB-LC01V00055R200	448.67
		LC01V00055F1	YC10-03501-	Bushing	100 mm		KOB-2438U1104S4	62.28
	LC01V00055F1	YC10-C5001-	P-UB-10	100 mm	150 mm	KOB-LC01V00055R300	597.63	
	LC01V00055F1	YC10-C5001-	P-UB-1	100 mm		KOB-LC01V00055R100	148.94	
	LC01V00055F1	YC10-C5001-	N-N-10		150 mm	KOB-LC01V00055R200	448.67	
	LC01V00055F2	YC10-03501-	P-UB-10	100 mm	150 mm	KOB-LC01V00055R300	597.63	
	LC01V00055F2	YC10-03501-	P-UB-1	100 mm		KOB-LC01V00055R100	148.94	
	LC01V00055F2	YC10-03501-	N-N-10		150 mm	KOB-LC01V00055R200	448.67	
	LC01V00055F2	YC10-03501-	Bushing	100 mm		KOB-2438U1104S4	62.28	
	LC01V00055F2	YC10-C5001-	P-UB-10	100 mm	150 mm	KOB-LC01V00055R300	597.63	
LC01V00055F2	YC10-C5001-	P-UB-1	100 mm		KOB-LC01V00055R100	148.94		
LC01V00055F2	YC10-C5001-	N-N-10		150 mm	KOB-LC01V00055R200	448.67		
LC01V00055F2	YC10-C5001-	Bushing	100 mm		KOB-2438U1104S4	62.28		
MODEL SK400LC III								
ARM	2438U1174F1	YS00547-	P-UB-14	130 mm	190 mm	KOB-2438U1174R300	1084.98	
	2438U1174F1	YS00547-	P-UB-1	130 mm		KOB-2438U1174R100	446.03	
	2438U1174F1	YS00547-	N-N-14		190 mm	KOB-2438U1174R200	638.91	
	2438U1174F1	YSU0001-	P-UB-14	130 mm	190 mm	KOB-2438U1174R300	1084.98	
	2438U1174F1	YSU0001-	P-UB-1	130 mm		KOB-2438U1174R100	446.03	
	2438U1174F1	YSU0001-	N-N-14		190 mm	KOB-2438U1174R200	638.91	
	2438U1174F2	YS00547-	P-UB-14	130 mm	190 mm	KOB-2438U1174R300	1084.98	
	2438U1174F2	YS00547-	P-UB-1	130 mm		KOB-2438U1174R100	446.03	
	2438U1174F2	YS00547-	N-N-14		190 mm	KOB-2438U1174R200	638.91	
	2438U1174F2	YSU0001-	P-UB-14	130 mm	190 mm	KOB-2438U1174R300	1084.98	
	2438U1174F2	YSU0001-	P-UB-1	130 mm		KOB-2438U1174R100	446.03	
	2438U1174F2	YSU0001-	N-N-14		190 mm	KOB-2438U1174R200	638.91	
	BOOM LH	2438U1176F1	YS00547-	P-UB-14	115 mm	170 mm	KOB-2438U1173R300	762.15
		2438U1176F1	YS00547-	P-UB-1	115 mm		KOB-2438U1173R100	304.50
		2438U1176F1	YS00547-	N-N-14		170 mm	KOB-2438U1173R200	457.64
		2438U1176F1	YSU0001-	P-UB-14	115 mm	170 mm	KOB-2438U1173R300	762.15
		2438U1176F1	YSU0001-	P-UB-1	115 mm		KOB-2438U1173R100	304.50
		2438U1176F1	YSU0001-	N-N-14		170 mm	KOB-2438U1173R200	457.64
2438U1176F2		YS00547-	P-UB-14	115 mm	170 mm	KOB-2438U1173R300	762.15	
2438U1176F2		YS00547-	P-UB-1	115 mm		KOB-2438U1173R100	304.50	
2438U1176F2	YS00547-	N-N-14		170 mm	KOB-2438U1173R200	457.64		

KOBELCO

Replacement Kits For

KOBELCO

Excavators							
APPLICATION	CYL #	SERIAL #	CODE	ROD	BORE	KIT #	List \$
MODEL SK400LC III							
BOOM LH	2438U1176F2	YSU0001-	P-UB-14	115 mm	170 mm	KOB-2438U1173R300	762.15
	2438U1176F2	YSU0001-	P-UB-1	115 mm		KOB-2438U1173R100	304.50
	2438U1176F2	YSU0001-	N-N-14		170 mm	KOB-2438U1173R200	457.64
BOOM RH	2438U1173F1	YS00547-	P-UB-14	115 mm	170 mm	KOB-2438U1173R300	762.15
	2438U1173F1	YS00547-	P-UB-1	115 mm		KOB-2438U1173R100	304.50
	2438U1173F1	YS00547-	N-N-14		170 mm	KOB-2438U1173R200	457.64
	2438U1173F1	YSU0001-	P-UB-14	115 mm	170 mm	KOB-2438U1173R300	762.15
	2438U1173F1	YSU0001-	P-UB-1	115 mm		KOB-2438U1173R100	304.50
	2438U1173F1	YSU0001-	N-N-14		170 mm	KOB-2438U1173R200	457.64
	2438U1173F2	YS00547-	P-UB-14	115 mm	170 mm	KOB-2438U1173R300	762.15
	2438U1173F2	YS00547-	P-UB-1	115 mm		KOB-2438U1173R100	304.50
	2438U1173F2	YS00547-	N-N-14		170 mm	KOB-2438U1173R200	457.64
	2438U1173F2	YSU0001-	P-UB-14	115 mm	170 mm	KOB-2438U1173R300	762.15
	2438U1173F2	YSU0001-	P-UB-1	115 mm		KOB-2438U1173R100	304.50
	2438U1173F2	YSU0001-	N-N-14		170 mm	KOB-2438U1173R200	457.64
BUCKET	2438U1175F1	YS00547-	P-UB-14	110 mm	160 mm	KOB-2438U1175R300	550.60
	2438U1175F1	YS00547-	P-UB-1	110 mm		KOB-2438U1175R100	233.92
	2438U1175F1	YS00547-	N-N-14		160 mm	KOB-2438U1175R200	369.00
	2438U1175F1	YSU0001-	P-UB-14	110 mm	160 mm	KOB-2438U1175R300	550.60
	2438U1175F1	YSU0001-	P-UB-1	110 mm		KOB-2438U1175R100	233.92
	2438U1175F1	YSU0001-	N-N-14		160 mm	KOB-2438U1175R200	369.00
	2438U1175F2	YS00547-	P-UB-14	110 mm	160 mm	KOB-2438U1175R300	550.60
	2438U1175F2	YS00547-	P-UB-1	110 mm		KOB-2438U1175R100	233.92
	2438U1175F2	YS00547-	N-N-14		160 mm	KOB-2438U1175R200	369.00
	2438U1175F2	YSU0001-	P-UB-14	110 mm	160 mm	KOB-2438U1175R300	550.60
	2438U1175F2	YSU0001-	P-UB-1	110 mm		KOB-2438U1175R100	233.92
	2438U1175F2	YSU0001-	N-N-14		160 mm	KOB-2438U1175R200	369.00
MODEL SK400LC IV							
ARM	2438U1174F1	YSJ00002-	P-UB-14	130 mm	190 mm	KOB-2438U1174R300	1084.98
	2438U1174F1	YSJ00002-	P-UB-1	130 mm		KOB-2438U1174R100	446.03
	2438U1174F1	YSJ00002-	N-N-14		190 mm	KOB-2438U1174R200	638.91
	2438U1174F1	YSU0200-	P-UB-14	130 mm	190 mm	KOB-2438U1174R300	1084.98
	2438U1174F1	YSU0200-	P-UB-1	130 mm		KOB-2438U1174R100	446.03
	2438U1174F1	YSU0200-	N-N-14		190 mm	KOB-2438U1174R200	638.91
	2438U1174F2	YSJ00002-	P-UB-14	130 mm	190 mm	KOB-2438U1174R300	1084.98
	2438U1174F2	YSJ00002-	P-UB-1	130 mm		KOB-2438U1174R100	446.03
	2438U1174F2	YSJ00002-	N-N-14		190 mm	KOB-2438U1174R200	638.91
	2438U1174F2	YSU0200-	P-UB-14	130 mm	190 mm	KOB-2438U1174R300	1084.98
	2438U1174F2	YSU0200-	P-UB-1	130 mm		KOB-2438U1174R100	446.03
	2438U1174F2	YSU0200-	N-N-14		190 mm	KOB-2438U1174R200	638.91
	2438U1174F3	YSU0200-	P-UB-14	130 mm	190 mm	KOB-2438U1174R300	1084.98
	2438U1174F3	YSU0200-	P-UB-1	130 mm		KOB-2438U1174R100	446.03
	2438U1174F3	YSU0200-	N-N-14		190 mm	KOB-2438U1174R200	638.91
BOOM LH	2438U1176F1	YSJ00002-	P-UB-14	115 mm	170 mm	KOB-2438U1173R300	762.15
	2438U1176F1	YSJ00002-	P-UB-1	115 mm		KOB-2438U1173R100	304.50
	2438U1176F1	YSJ00002-	N-N-14		170 mm	KOB-2438U1173R200	457.64
	2438U1176F1	YSU0200-	P-UB-14	115 mm	170 mm	KOB-2438U1173R300	762.15
	2438U1176F1	YSU0200-	P-UB-1	115 mm		KOB-2438U1173R100	304.50
	2438U1176F1	YSU0200-	N-N-14		170 mm	KOB-2438U1173R200	457.64
	2438U1176F2	YSJ00002-	P-UB-14	115 mm	170 mm	KOB-2438U1173R300	762.15
	2438U1176F2	YSJ00002-	P-UB-1	115 mm		KOB-2438U1173R100	304.50
	2438U1176F2	YSJ00002-	N-N-14		170 mm	KOB-2438U1173R200	457.64
	2438U1176F2	YSU0200-	P-UB-14	115 mm	170 mm	KOB-2438U1173R300	762.15
	2438U1176F2	YSU0200-	P-UB-1	115 mm		KOB-2438U1173R100	304.50
	2438U1176F2	YSU0200-	N-N-14		170 mm	KOB-2438U1173R200	457.64

KOBELCO

Replacement Kits For

KOBELCO

Excavators								
APPLICATION	CYL #	SERIAL #	CODE	ROD	BORE	KIT #	List \$	
MODEL SK400LC IV								
BOOM LH	2438U1176F3	YSJ00002-	P-UB-14	115 mm	170 mm	KOB-2438U1173R300	762.15	
	2438U1176F3	YSJ00002-	P-UB-1	115 mm		KOB-2438U1173R100	304.50	
	2438U1176F3	YSJ00002-	N-N-14		170 mm	KOB-2438U1173R200	457.64	
	2438U1176F3	YSU0200-	P-UB-14	115 mm	170 mm	KOB-2438U1173R300	762.15	
	2438U1176F3	YSU0200-	P-UB-1	115 mm		KOB-2438U1173R100	304.50	
	2438U1176F3	YSU0200-	N-N-14		170 mm	KOB-2438U1173R200	457.64	
	2438U1176F4	YSU0200-	P-UB-14	115 mm	170 mm	KOB-2438U1173R300	762.15	
	2438U1176F4	YSU0200-	P-UB-1	115 mm		KOB-2438U1173R100	304.50	
BOOM RH	2438U1173F1	YSJ00002-	P-UB-14	115 mm	170 mm	KOB-2438U1173R300	762.15	
	2438U1173F1	YSJ00002-	P-UB-1	115 mm		KOB-2438U1173R100	304.50	
	2438U1173F1	YSJ00002-	N-N-14		170 mm	KOB-2438U1173R200	457.64	
	2438U1173F1	YSU0200-	P-UB-14	115 mm	170 mm	KOB-2438U1173R300	762.15	
	2438U1173F1	YSU0200-	P-UB-1	115 mm		KOB-2438U1173R100	304.50	
	2438U1173F1	YSU0200-	N-N-14		170 mm	KOB-2438U1173R200	457.64	
	2438U1173F2	YSJ00002-	P-UB-14	115 mm	170 mm	KOB-2438U1173R300	762.15	
	2438U1173F2	YSJ00002-	P-UB-1	115 mm		KOB-2438U1173R100	304.50	
	2438U1173F2	YSJ00002-	N-N-14		170 mm	KOB-2438U1173R200	457.64	
	2438U1173F2	YSU0200-	P-UB-14	115 mm	170 mm	KOB-2438U1173R300	762.15	
	2438U1173F2	YSU0200-	P-UB-1	115 mm		KOB-2438U1173R100	304.50	
	2438U1173F2	YSU0200-	N-N-14		170 mm	KOB-2438U1173R200	457.64	
	2438U1173F3	YSJ00002-	P-UB-14	115 mm	170 mm	KOB-2438U1173R300	762.15	
	2438U1173F3	YSJ00002-	P-UB-1	115 mm		KOB-2438U1173R100	304.50	
	2438U1173F3	YSJ00002-	N-N-14		170 mm	KOB-2438U1173R200	457.64	
	2438U1173F3	YSU0200-	P-UB-14	115 mm	170 mm	KOB-2438U1173R300	762.15	
	2438U1173F3	YSU0200-	P-UB-1	115 mm		KOB-2438U1173R100	304.50	
	2438U1173F3	YSU0200-	N-N-14		170 mm	KOB-2438U1173R200	457.64	
	BUCKET	2438U1175F1	YSJ00002-	P-UB-14	110 mm	160 mm	KOB-2438U1175R300	550.60
		2438U1175F1	YSJ00002-	P-UB-1	110 mm		KOB-2438U1175R100	233.92
2438U1175F1		YSJ00002-	N-N-14		160 mm	KOB-2438U1175R200	369.00	
2438U1175F1		YSU0200-	P-UB-14	110 mm	160 mm	KOB-2438U1175R300	550.60	
2438U1175F1		YSU0200-	P-UB-1	110 mm		KOB-2438U1175R100	233.92	
2438U1175F1		YSU0200-	N-N-14		160 mm	KOB-2438U1175R200	369.00	
2438U1175F2		YSJ00002-	P-UB-14	110 mm	160 mm	KOB-2438U1175R300	550.60	
2438U1175F2		YSJ00002-	P-UB-1	110 mm		KOB-2438U1175R100	233.92	
2438U1175F2		YSJ00002-	N-N-14		160 mm	KOB-2438U1175R200	369.00	
2438U1175F2		YSU0200-	P-UB-14	110 mm	160 mm	KOB-2438U1175R300	550.60	
2438U1175F2		YSU0200-	P-UB-1	110 mm		KOB-2438U1175R100	233.92	
2438U1175F2		YSU0200-	N-N-14		160 mm	KOB-2438U1175R200	369.00	
2438U1175F3		YSJ00002-	P-UB-14	110 mm	160 mm	KOB-2438U1175R300	550.60	
2438U1175F3		YSJ00002-	P-UB-1	110 mm		KOB-2438U1175R100	233.92	
2438U1175F3		YSJ00002-	N-N-14		160 mm	KOB-2438U1175R200	369.00	
2438U1175F3		YSU0200-	P-UB-14	110 mm	160 mm	KOB-2438U1175R300	550.60	
2438U1175F3	YSU0200-	P-UB-1	110 mm		KOB-2438U1175R100	233.92		
2438U1175F3	YSU0200-	N-N-14		160 mm	KOB-2438U1175R200	369.00		
Excavators - Compact								
APPLICATION	CYL #	SERIAL #	CODE	ROD	BORE	KIT #	List \$	
MODEL SK25SR-2								
ARM	PV01V00037F1	PV09-22001-PV09-22780	P-U-10	40 mm	70 mm	KOB-PV01V00037R300	237.36	
BOOM Cab	PV01V00040F1	PV09-22001-PV09-22780	P-U-10	40 mm	70 mm	KOB-PV01V00039R300	237.36	
BOOM Canopy	PV01V00039F1	PV09-22001-PV09-22780	P-U-10	40 mm	70 mm	KOB-PV01V00039R300	237.36	
BUCKET	PM01V00043F1	PV09-22001-PV09-22780	P-U-10	30 mm	55 mm	KOB-PM01V00043R300	67.09	

KOBELCO

Replacement Kits For

KOBELCO

Excavators - Compact								
APPLICATION	CYL #	SERIAL #	CODE	ROD	BORE	KIT #	List \$	
MODEL SK25SR-2								
BUCKET	PM01V00043F2	PV09-22001-PV09-22780	P-U-10	30 mm	55 mm	KOB-PM01V00043R300	67.09	
	PM01V00043F3	PV09-22001-PV09-22780	P-U-10	30 mm	55 mm	KOB-PM01V00043R300	67.09	
	PM01V00043F4	PV09-22001-PV09-22780	P-U-10	30 mm	55 mm	KOB-PM01V00043R300	67.09	
	PM01V00043F5	PV09-22001-PV09-22780	P-U-10	30 mm	55 mm	KOB-PM01V00043R300	67.09	
DOZER	PV01V00038F1	PV09-22001-PV09-22780	P-U-10	45 mm	80 mm	KOB-PV01V00038R300	113.75	
SWING	PM01V00044F1	PV09-22001-PV09-22780	P-U-10	40 mm	75 mm	KOB-PM01V00044R300	145.49	
MODEL SK35SR-2								
ARM	PW01V00045F1	PX09-08001-	P-U-10	45 mm	75 mm	KOB-PW01V00045R300	91.32	
	PW01V00051F1	PX09-08001-	P-U-10	45 mm	75 mm	KOB-PW01V00051R300	83.38	
	PW01V00051F1	PX11-08901-	P-U-10	45 mm	75 mm	KOB-PW01V00051R300	83.38	
	PW01V00051F2	PX09-08001-	P-U-10	45 mm	75 mm	KOB-PW01V00051R300	83.38	
	PW01V00051F2	PX11-08901-	P-U-10	45 mm	75 mm	KOB-PW01V00051R300	83.38	
	PX01V00032F1	PX09-08001-	P-U-10	45 mm	80 mm	KOB-PW01V00043R300	87.00	
	PX01V00035F1	PX09-08001-	P-U-10	45 mm	80 mm	KOB-PW01V00035R300	77.55	
	PX01V00035F1	PX11-08901-	P-U-10	45 mm	80 mm	KOB-PW01V00048R300	77.55	
	PX01V00035F2	PX09-08001-	P-U-10	45 mm	80 mm	KOB-PW01V00035R300	77.55	
	PX01V00035F2	PX11-08901-	P-U-10	45 mm	80 mm	KOB-PW01V00048R300	77.55	
BOOM Cab	PW01V00044F1	PX09-08001-	P-U-10	45 mm	80 mm	KOB-PW01V00043R300	87.00	
	PW01V00044F1	PX11-08901-	P-U-10	45 mm	80 mm	KOB-PW01V00043R300	87.00	
	PW01V00044F2	PX09-08001-	P-U-10	45 mm	80 mm	KOB-PW01V00043R300	87.00	
	PW01V00044F2	PX11-08901-	P-U-10	45 mm	80 mm	KOB-PW01V00043R300	87.00	
	PX01V00031F1	PX09-08001-	P-U-10	50 mm	85 mm	KOB-PX01V00030R300	109.00	
	PX01V00031F1	PX11-08901-	P-U-10	50 mm	85 mm	KOB-PX01V00030R300	109.00	
	PX01V00031F2	PX09-08001-	P-U-10	50 mm	85 mm	KOB-PX01V00030R300	109.00	
	PX01V00031F2	PX11-08901-	P-U-10	50 mm	85 mm	KOB-PX01V00030R300	109.00	
BOOM Canopy	PW01V00043F1	PX09-08001-	P-U-10	45 mm	80 mm	KOB-PW01V00043R300	87.00	
	PW01V00043F1	PX11-08901-	P-U-10	45 mm	80 mm	KOB-PW01V00043R300	87.00	
	PW01V00043F2	PX09-08001-	P-U-10	45 mm	80 mm	KOB-PW01V00043R300	87.00	
	PW01V00043F2	PX11-08901-	P-U-10	45 mm	80 mm	KOB-PW01V00043R300	87.00	
	PX01V00030F1	PX11-08901-	P-U-10	50 mm	85 mm	KOB-PX01V00030R300	109.00	
	PX01V00030F2	PX11-08901-	P-U-10	50 mm	85 mm	KOB-PX01V00030R300	109.00	
BUCKET	PW01V00046F1	PX09-08001-	P-U-10	35 mm	65 mm	KOB-PW01V00046R300	83.66	
	PW01V00046F1	PX11-08901-	P-U-10	40 mm	65 mm	KOB-PX01V00041R300	98.58	
	PW01V00046F2	PX11-08901-	P-U-10	40 mm	65 mm	KOB-PX01V00041R300	98.58	
DOZER	PW01V00033F1	PX09-08001-	P-U-10	45 mm	90 mm	KOB-PX01V00033R300	95.37	
	PW01V00048F1	PX09-08001-	P-U-10	45 mm	80 mm	KOB-PX01V00048R300	95.92	
	PW01V00048F1	PX11-08901-	P-U-10	45 mm	80 mm	KOB-PW01V00048R300	77.55	
	PW01V00048F2	PX11-08901-	P-U-10	45 mm	80 mm	KOB-PW01V00048R300	77.55	
SWING	PW01V00050F1	PX11-08901-	P-U-10	45 mm	80 mm	KOB-PW01V00043R300	87.00	
	PW01V00050F2	PX11-08901-	P-U-10	45 mm	80 mm	KOB-PW01V00043R300	87.00	
	PX01V00050F1	PX09-08001-	P-U-10	50 mm	100 mm	KOB-PX01V00043R300	86.73	
MODEL SK35SR-3								
ANGLE DOZER	PW51B00065F1	PX15-21105	P-U-10	45 mm	80 mm	KOB-PX01V00048R300	95.92	
ARM	PX01V00048F1	PX12-11001-PX12-12803	P-U-10	45 mm	80 mm	KOB-PX01V00042R300	94.25	
	PX01V00048F2	PX12-11001-PX12-12803	P-U-10	45 mm	80 mm	KOB-PX01V00042R300	94.25	
	PX01V00063F1	PV11-30001-PV11-30393	P-U-10	45 mm	80 mm	KOB-PX01V00042R300	94.25	
	PX01V00063F1	PX13-15001-PX13-15682	P-U-10	45 mm	80 mm	KOB-PX01V00042R300	94.25	
	PX01V00063F1	PX14-17001-PX14-17514	P-U-10	45 mm	80 mm	KOB-PX01V00042R300	94.25	
	PX01V00063F1	PX15-21105	P-U-10	45 mm	80 mm	KOB-PX01V00042R300	94.25	
BOOM Cab	PX01V00053F1	PX12-11001-PX12-12803	P-U-10	45 mm	80 mm	KOB-PX01V00045R300	87.00	
	PX01V00053F2	PX12-11001-PX12-12803	P-U-10	45 mm	80 mm	KOB-PX01V00045R300	87.00	
	PX01V00065F1	PV11-30001-PV11-30393	P-U-10	45 mm	80 mm	KOB-PX01V00045R300	87.00	
	PX01V00065F1	PX13-15001-PX13-15682	P-U-10	45 mm	80 mm	KOB-PX01V00045R300	87.00	
	PX01V00065F1	PX14-17001-PX14-17514	P-U-10	45 mm	80 mm	KOB-PX01V00045R300	87.00	
	PX01V00066F1	PX15-21105	P-U-10	45 mm	80 mm	KOB-PX01V00045R300	87.00	

KOBELCO

Replacement Kits For

KOBELCO

Excavators - Compact							
APPLICATION	CYL #	SERIAL #	CODE	ROD	BORE	KIT #	List \$
MODEL SK35SR-3							
BOOM Canopy	PX01V00052F1	PX12-11001-PX12-12803	P-U-10	45 mm	80 mm	KOB-PX01V00045R300	87.00
	PX01V00052F2	PX12-11001-PX12-12803	P-U-10	45 mm	80 mm	KOB-PX01V00045R300	87.00
	PX01V00062F1	PV11-30001-PV11-30393	P-U-10	45 mm	80 mm	KOB-PX01V00045R300	87.00
	PX01V00062F1	PX13-15001-PX13-15682	P-U-10	45 mm	80 mm	KOB-PX01V00045R300	87.00
	PX01V00062F1	PX14-17001-PX14-17514	P-U-10	45 mm	80 mm	KOB-PX01V00045R300	87.00
BUCKET	PX01V00062F1	PX15-21105	P-U-10	45 mm	80 mm	KOB-PX01V00045R300	87.00
	PX01V00041F1	PX12-11001-PX12-12803	P-U-10	40 mm	65 mm	KOB-PX01V00041R300	98.58
	PX01V00041F2	PX12-11001-PX12-12803	P-U-10	40 mm	65 mm	KOB-PX01V00041R300	98.58
	PX01V00064F1	PV11-30001-PV11-30393	P-U-10	40 mm	65 mm	KOB-PX01V00041R300	98.58
	PX01V00064F1	PX13-15001-PX13-15682	P-U-10	40 mm	65 mm	KOB-PX01V00041R300	98.58
DOZER	PX01V00064F1	PX14-17001-PX14-17514	P-U-10	40 mm	65 mm	KOB-PX01V00041R300	98.58
	PX01V00064F1	PX15-21105	P-U-10	40 mm	65 mm	KOB-PX01V00041R300	98.58
	PX01V00043F1	PV11-30001-PV11-30393	P-U-10	50 mm	100 mm	KOB-PX01V00043R300	86.73
	PX01V00043F1	PX12-11001-PX12-12803	P-U-10	50 mm	100 mm	KOB-PX01V00043R300	86.73
	PX01V00043F1	PX13-15001-PX13-15682	P-U-10	50 mm	100 mm	KOB-PX01V00043R300	86.73
	PX01V00043F1	PX14-17001-PX14-17514	P-U-10	50 mm	100 mm	KOB-PX01V00043R300	86.73
	PX01V00043F2	PV11-30001-PV11-30393	P-U-10	50 mm	100 mm	KOB-PX01V00043R300	86.73
	PX01V00043F2	PX12-11001-PX12-12803	P-U-10	50 mm	100 mm	KOB-PX01V00043R300	86.73
	PX01V00043F2	PX13-15001-PX13-15682	P-U-10	50 mm	100 mm	KOB-PX01V00043R300	86.73
	PX01V00043F2	PX14-17001-PX14-17514	P-U-10	50 mm	100 mm	KOB-PX01V00043R300	86.73
SWING	PX01V00043F2	PX15-21105	P-U-10	50 mm	100 mm	KOB-PX01V00043R300	86.73
	PX01V00042F1	PV11-30001-PV11-30393	P-U-10	45 mm	80 mm	KOB-PX01V00042R300	94.25
	PX01V00042F1	PX12-11001-PX12-12803	P-U-10	45 mm	80 mm	KOB-PX01V00042R300	94.25
	PX01V00042F1	PX13-15001-PX13-15682	P-U-10	45 mm	80 mm	KOB-PX01V00042R300	94.25
	PX01V00042F1	PX14-17001-PX14-17514	P-U-10	45 mm	80 mm	KOB-PX01V00042R300	94.25
	PX01V00042F2	PV11-30001-PV11-30393	P-U-10	45 mm	80 mm	KOB-PX01V00042R300	94.25
	PX01V00042F2	PX13-15001-PX13-15682	P-U-10	45 mm	80 mm	KOB-PX01V00042R300	94.25
	PX01V00042F2	PX14-17001-PX14-17514	P-U-10	45 mm	80 mm	KOB-PX01V00042R300	94.25
PX01V00042F2	PX15-21105	P-U-10	45 mm	80 mm	KOB-PX01V00042R300	94.25	

KOBELCO

REPLACEMENT KITS FOR KOBELCO

Kit Number	Code (Pg. xiv)	Rod X Bore Size	List Price
KOB-24038R42F1	N-N-14	120 mm Piston Kit	\$288.70
KOB-24381104R400	P-UB-10	75 mm	144.59
KOB-2438U1028R100	P-UB-1	110 mm Rod Kit	237.57
KOB-2438U1028R200	N-N-14	170 mm Piston Kit	568.76
KOB-2438U1029R100	P-UB-1	130 mm Rod Kit	411.88
KOB-2438U1029R200	N-N-14	180 mm Piston Kit	596.99
KOB-2438U1030R100	P-UB-1	120 mm Rod Kit	296.21
KOB-2438U1030R200	N-N-14	170 mm Piston Kit	568.76
KOB-2438U1094R140	N-N-10	125 mm Piston Kit	284.10
KOB-2438U1096R100	P-UB-1	60 mm Rod Kit	184.31
KOB-2438U1096R200	N-N-10	95 mm Piston Kit	215.15
KOB-2438U1097R100	P-UB-1	65 mm Rod Kit	166.04
KOB-2438U1097R200	N-N-10	95 mm Piston Kit	257.16
KOB-2438U1097R300	P-UB-10	65 X 95 mm	423.19
KOB-2438U1098R100	P-UB-1	75 mm Rod Kit	175.23
KOB-2438U1098R200	N-N-10	115 mm Piston Kit	354.19
KOB-2438U1099R100	P-UB-1	70 mm Rod Kit	187.97
KOB-2438U1102R200	N-N-10	125 mm Piston Kit	277.97
KOB-2438U1102R300	P-UB-10	85 X 125 mm	435.89
KOB-2438U1102R500	P-UB-10	85 X 125 mm	435.89
KOB-2438U1102R600	P-UB-1	85 mm Rod Kit	157.94
KOB-2438U1104R200	N-N-10	145 mm Piston Kit	411.05
KOB-2438U1104R300	P-UB-10	100 X 145 mm	544.53
KOB-2438U1104R400	P-UB-1	100 mm Rod Kit	183.38
KOB-2438U1104R500	P-UB-10	100 X 145 mm	594.43
KOB-2438U1105R200	N-N-10	120 mm Piston Kit	195.48
KOB-2438U1105R400	P-UB-1	80 mm Rod Kit	148.80
KOB-2438U1105R500	P-UB-10	80 X 120 mm	322.18
KOB-2438U1106R100	P-UB-1	85 mm Rod Kit	208.29
KOB-2438U1106R200	N-N-10	125 mm Piston Kit	354.63
KOB-2438U1106R300	P-UB-10	85 X 125 mm	562.95
KOB-2438U1108R100	P-UB-1	100 mm Rod Kit	227.22
KOB-2438U1108R200	N-N-14	145 mm Piston Kit	261.12
KOB-2438U1108R300	P-UB-14	100 X 145 mm	515.09
KOB-2438U1109R100	N-N-10	120 mm Piston Kit	211.37
KOB-2438U1109R200	P-UB-1	80 mm Rod Kit	203.54
KOB-2438U1109R300	P-UB-10	80 X 120 mm	413.08
KOB-2438U1123R200	N-N-10	100 mm Piston Kit	259.96
KOB-2438U1129R100	P-UB-1	120 mm	213.90
KOB-2438U1129R300	P-UB-10	120 X 180 mm	588.23
KOB-2438U1131R100	P-UB-1	65mm Rod Kit	166.04
KOB-2438U1131R200	N-N-10	100mm Piston Kit	267.82

Kit Number	Code (Pg. xiv)	Rod X Bore Size	List Price
KOB-2438U1131R300	P-UB-10	65 X 100 mm	\$412.14
KOB-2438U1132R100	P-UB-1	80 mm Rod Kit	206.74
KOB-2438U1132R200	N-N-10	120 mm Piston Kit	368.02
KOB-2438U1132R300	P-UB-10	80 X 120 mm	574.76
KOB-2438U1133R100	P-UB-1	70 mm Rod Kit	185.42
KOB-2438U1133R200	N-N-10	105 mm Piston Kit	262.18
KOB-2438U1133R300	P-UB-10	70 X 105 mm	425.23
KOB-2438U1135R300	P-UB-10	90 X 140 mm	449.53
KOB-2438U1137R100	P-UB-1	105 mm	271.96
KOB-2438U1137R200	P-UB-10	105 X 150 mm	461.42
KOB-2438U1170R100	P-UB-1	100 Rod Kit	168.89
KOB-2438U1170R200	N-N-10	150 mm	291.83
KOB-2438U1170R300	P-UB-10	100 X 150mm	467.13
KOB-2438U1171R100	P-UB-1	120 Rod Kit	233.78
KOB-2438U1171R200	N-N-10	170 mm Piston Kit	440.83
KOB-2438U1171R300	P-UB-10	120 X 170 mm	674.58
KOB-2438U1172R100	P-UB-1	100 mm	257.97
KOB-2438U1172R200	N-N-10	150 Piston Kit	298.25
KOB-2438U1172R300	P-UB-10	100 X 150 mm	529.92
KOB-2438U1172R400	N-N-10	150 mm	305.08
KOB-2438U1172R500	P-UB-10	100 X150 mm	636.03
KOB-2438U1173R100	P-UB-1	115 mm	304.50
KOB-2438U1173R200	N-N-14	170 mm	457.64
KOB-2438U1173R300	P-UB-14	115 X 170 mm	762.15
KOB-2438U1174R100	P-UB-1	130 mm	446.03
KOB-2438U1174R200	N-N-14	190 mm	638.91
KOB-2438U1174R300	P-UB-14	130 X 190 mm	1084.98
KOB-2438U1175R100	P-UB-1	110 mm	233.92
KOB-2438U1175R200	N-N-14	160 mm	369.00
KOB-2438U1175R300	P-UB-14	110 X 160 mm	550.60
KOB-2438U1323R100	P-UB-1	110 mm Rod Kit	278.04
KOB-2438U1323R110	N-N-10	160 mm Piston Kit	512.11
KOB-2438U1324R100	P-UB-1	100 mm Rod Kit	197.59
KOB-2438U1324R110	N-N-10	150 mm Piston Kit	256.35
KOB-2438U1343R120	P-U-1	130 mm Rod Kit	348.79
KOB-2438U1946R200	N-N-10	120 mm Piston Kit	260.91
KOB-2438U1946R300	P-UB-10	80 X 120 mm	387.70
KOB-2438U1948R100	P-UB-1	90 mm	202.02
KOB-2438U1948R200	N-N-10	130 mm Piston Kit	359.00
KOB-2438U1948R300	P-UB-10	90 X 130 mm	561.01
KOB-2438U1948R400	P-UB-1	90 mm Rod Kit	202.02
KOB-2438U1948R500	P-UB-10	90 X 130 mm	561.01

REPLACEMENT KITS FOR KOBELCO

KOBELCO

Kit Number	Code (Pg. xiv)	Rod X Bore Size	List Price
KOB-2438U1949R200	N-N-10	110 mm Piston Kit	\$321.67
KOB-2438U1949R300	P-UB-10	75 X 110 mm	291.09
KOB-2438U1949R400	P-UB-1	75 mm Rod Kit	144.59
KOB-2438U1949R500	P-UB-10	75 X 110 mm	409.24
KOB-2438U553R100	P-U-1	75 mm Rod Kit	195.87
KOB-2438U568R100	P-UB-1	90 mm Rod Kit	222.00
KOB-2438U568R110	N-N-10	130 mm Piston Kit	313.83
KOB-2438U587R100	N-N-10	90 mm Rod Kit	221.46
KOB-2438U587R110	N-N-10	140 mm Piston Kit	333.40
KOB-2438U588R110	P-UB-1	100 mm Rod Kit	239.79
KOB-2438U588R120	N-N-10	150 mm Piston Kit	340.36
KOB-2438U705R100	P-UB-1	60 mm	119.02
KOB-2438U716R140	N-N-10	110 mm Piston Kit	210.87
KOB-2438U721R100	P-UB-1	70 mm Rod Kit	248.22
KOB-2438U738R100	P-UB-1	65 mm	94.06
KOB-2438U738R200	N-N-10	100 mm	64.53
KOB-2438U738R300	P-UB-1	65 mm	94.06
KOB-2438U738R400	P-UB-10	65 X 100 mm	158.63
KOB-2438U776R100	P-UB-1	95 mm Rod Kit	255.51
KOB-2438U776R110	N-N-10	150 mm Piston Kit	413.44
KOB-2438U914R100	P-UB-1	85 mm Rod Kit	187.73
KOB-2438U914R200	N-N-10	125 mm Piston Kit	275.49
KOB-2438U915R100	P-UB-1	75 mm Rod Kit	141.85
KOB-2438U915R110	N-N-10	120 mm Piston Kit	268.86
KOB-2438U921R100	P-UB-1	95 mm Rod Kit	175.49
KOB-2438U921R110	N-N-10	145 mm Piston Kit	337.22
KOB-2438U941R100	P-UB-1	100 mm Rod Kit	244.56
KOB-2438U941R200	N-N-14	145 mm Piston Kit	447.48
KOB-2438U953R100	P-UB-1	105 mm Rod Kit	318.88
KOB-2438U953R200	N-N-10	150 mm Piston Kit	582.44
KOB-2438U959R100	P-UB-1	85 mm Rod Kit	167.34
KOB-2438U959R200	N-N-10	130 mm Piston Kit	374.68
KOB-2438U959R300	P-UB-10	85 X 130 mm	542.00
KOB-2438U971R100	P-UB-1	70 mm Rod Kit	195.64
KOB-2438U971R200	N-N-10	105 mm Piston Kit	262.16
KOB-2438U973R100	P-UB-1	80 mm Rod Kit	221.00
KOB-2438U973R200	N-N-10	120 mm Piston Kit	368.33
KOB-2438U974R100	P-UB-1	65 mm Rod Kit	168.10
KOB-2438U974R200	N-N-10	100 mm Piston Kit	271.07
KOB-2438U985R300	N-N-14	180 mm Piston Kit	476.02
KOB-2438U989R100	P-UB-1	70 mm Rod Kit	189.89
KOB-2438U989R200	N-N-10	100 mm Piston Kit	259.96

Kit Number	Code (Pg. xiv)	Rod X Bore Size	List Price
KOB-2438U991R100	P-UB-1	75 mm Rod Kit	\$188.31
KOB-2438U991R200	N-N-10	115 mm Piston Kit	356.49
KOB-2438U992R100	P-UB-1	65 mm Rod Kit	159.08
KOB-2438U992R200	N-N-10	95 mm Piston Kit	257.41
KOB-2438U995R100	P-UB-1	80 mm Rod Kit	157.49
KOB-2438U995R200	N-N-14	120 mm Piston Kit	413.93
KOB-2438U996R100	P-UB-1	85 mm Rod Kit	215.45
KOB-2438U996R200	N-N-14	125 mm Piston Kit	453.26
KOB-2438U999R100	P-UB-1	90 mm Rod Kit	206.90
KOB-2438U999R200	N-N-10	140 mm Piston Kit	398.50
KOB-2445R174R200	N-N-10	180 mm	374.31
KOB-2445Z-921F1	N-N-10	100 mm Piston Kit	157.15
KOB-2445Z-922F1	P-UB-1	50 mm Rod Kit	139.03
KOB-LC01V00001R200	N-N-10	140 mm	271.53
KOB-LC01V00001R300	P-UB-10	140 mm	385.29
KOB-LC01V00005R100	P-UB-1	120 mm	233.78
KOB-LC01V00005R200	N-N-10	170 mm	533.45
KOB-LC01V00005R300	P-UB-10	120 X 170 mm	762.17
KOB-LC01V00006R100	P-UB-1	100 mm	148.94
KOB-LC01V00006R200	N-N-10	150 mm	322.90
KOB-LC01V00006R300	P-UB-10	100 X 150 mm	471.83
KOB-LC01V00044R100	P-UB-1	100 mm	148.45
KOB-LC01V00044R200	N-N-10	140 mm	354.32
KOB-LC01V00044R300	P-UB-10	100 X 140 mm	502.75
KOB-LC01V00054R100	P-UB-1	120 mm	219.75
KOB-LC01V00054R200	N-N-10	170 mm	852.66
KOB-LC01V00054R300	P-UB-10	120 X 170 mm	1040.13
KOB-LC01V00055R100	P-UB-1	100 mm	148.94
KOB-LC01V00055R200	N-N-10	150 mm	448.67
KOB-LC01V00055R300	P-UB-10	100 X 150 mm	597.63
KOB-LP01V00001R100	P-UB-1	70 mm	103.26
KOB-LP01V00001R200	N-N-14	100 mm	236.79
KOB-LP01V00001R300	P-UB-14	70 X 100 mm	340.02
KOB-LP01V00002R100	P-UB-1	80 mm	114.58
KOB-LP01V00004R100	P-UB-1	50 mm	115.06
KOB-LP01V00004R200	N-N-14	70 mm	220.93
KOB-LP01V00004R300	P-UB-14	50 X 70 mm	335.99
KOB-LQ01V00001R200	N-N-10	135 mm	260.22
KOB-LQ01V00001R400	P-UB-1	90 mm	127.59
KOB-LQ01V00005R300	P-UB-10	90 X 135 mm	387.82
KOB-LQ01V00007R100	P-UB-1	100 mm	141.03
KOB-LQ01V00007R200	N-N-10	140 mm	220.68

REPLACEMENT KITS FOR KOBELCO

Kit Number	Code (Pg. xiv)	Rod X Bore Size	List Price	Kit Number	Code (Pg. xiv)	Rod X Bore Size	List Price
KOB-LQ01V00007R300	P-UB-10	100 X 140 mm	\$346.07	KOB-YM01V00009R300	P-UB-10	75 X 105 mm	\$361.05
KOB-LQ01V00028R200	N-N-10	135 mm	266.85	KOB-YN01V00001R100	P-UB-1	80 mm	119.71
KOB-LQ01V00028R300	P-UB-10	95 X 135 mm	387.51	KOB-YN01V00001R200	N-N-14	120 mm	131.79
KOB-LQ01V00030R100	P-UB-1	85 mm	128.43	KOB-YN01V00001R300	P-UB-14	80 X 120 mm	251.50
KOB-LQ01V00030R200	N-N-10	125 mm	218.99	KOB-YN01V00003R100	P-UB-1	95 mm	80.41
KOB-LQ01V00030R300	P-UB-10	85 X 125 mm	414.18	KOB-YN01V00003R200	N-N-14	135 mm	321.43
KOB-LQ01V00038R100	P-UB-1	105 mm	174.38	KOB-YN01V00003R300	P-UB-14	95 X 135 mm	401.83
KOB-LQ01V00038R200	N-N-10	145 mm	258.16	KOB-YN01V00004R100	P-UB-1	75 mm	75.79
KOB-LQ01V00038R300	P-UB-10	105 X 145 mm	426.02	KOB-YN01V00004R200	N-N-14	115 mm	117.54
KOB-LQ01V0005R300	P-UB-10	90 X 135 mm	474.99	KOB-YN01V00004R300	P-UB-14	75 X 115 mm	193.33
KOB-PM01V00043R300	P-U-10	30 X 55 mm	67.09	KOB-YN01V00019R100	N-N-14	135 mm	321.43
KOB-PM01V00044R300	P-U-10	40 X 75 mm	145.49	KOB-YN01V00019R200	P-UB-14	95 X 135 mm	401.83
KOB-PV01V00037R300	P-U-10	40 X 70 mm	237.36	KOB-YN01V00039R200	N-N-14	135 mm	247.71
KOB-PV01V00038R300		45 X 80 mm	113.75	KOB-YN01V00039R300	P-UB-14	95 X 135 mm	328.10
KOB-PV01V00039R300	P-U-10	40 X 70 mm	237.36	KOB-YN01V00052R100	P-UB-1	85 mm	75.79
KOB-PW01V00035R300	P-U-10	45 X 80 mm	77.55	KOB-YN01V00052R200	N-N-14	125 mm	193.42
KOB-PW01V00043R300	P-U-10	45 X 80 mm	87.00	KOB-YN01V00052R300	P-UB-14	85 X 125 mm	269.20
KOB-PW01V00045R300	P-U-10	45 X 75 mm	91.32	KOB-YN01V00068R100	P-UB-1	80 mm	76.03
KOB-PW01V00046R300	P-U-10	35 X 65 mm	83.66	KOB-YN01V00068R200	N-N-14	115 mm	81.09
KOB-PW01V00048R300	P-U-10	45 X 80 mm	77.55	KOB-YN01V00068R300	P-UB-14	80 X 115 mm	157.12
KOB-PW01V00051R300	P-U-10	45 X 75 mm	83.38	KOB-YN01V00077R300	P-UB-14	80 X 115 mm	157.12
KOB-PX01V00030R300	P-U-10	50 X 85 mm	109.00	KOB-YN01V00078R300	P-UB-14	95 X 135 mm	328.10
KOB-PX01V00033R300	P-U-10	45 X 90 mm	95.37	KOB-YN01V00103R100	P-UB-1	85 mm	157.51
KOB-PX01V00041R300	P-U-10	40 X 65 mm	98.58	KOB-YN01V00103R200	N-N-10	125 mm	252.82
KOB-PX01V00042R300	P-U-10	45 X 80 mm	94.25	KOB-YN01V00103R300	P-UB-10	85 X 125 mm	410.31
KOB-PX01V00043R300	P-U-10	50 X 100 mm	86.73	KOB-YN01V00103R800	N-N-10	125 mm	252.82
KOB-PX01V00045R300	P-U-10	45 X 80 mm	87.00	KOB-YN01V00103R900	P-UB-10	85 X 125 mm	410.31
KOB-PX01V00048R300	P-U-10	45 X 80 mm	95.92	KOB-YN01V00105R100	P-UB-1	95 mm	183.92
KOB-YB01V00010R100	P-UB-1	90 mm	139.89	KOB-YN01V00105R200	N-N-10	135 mm	324.54
KOB-YB01V00010R300	P-UB-10	90 X 125 mm	364.16	KOB-YN01V00105R300	P-UB-10	95 X 135 mm	508.46
KOB-YB01V00011R100	P-UB-1	75 mm	120.66	KOB-YN01V00105R800	N-N-10	135 mm	324.54
KOB-YB01V00011R300	P-UB-10	75 X 105 mm	361.05	KOB-YN01V00105R900	P-UB-10	95 X 135 mm	508.46
KOB-YF01V00001R200	N-N-10	125 mm	301.31	KOB-YN01V00106R100	P-UB-1	80 mm	154.25
KOB-YF01V00001R300	P-UB-10	85 X 125 mm	429.74	KOB-YN01V00106R200	N-N-10	115 mm	208.43
KOB-YM01V00006R100	P-UB-1	80 mm	134.12	KOB-YN01V00106R300	P-UB-10	80 X 115 mm	362.66
KOB-YM01V00006R200	N-N-10	110 mm	173.79	KOB-YN01V00106R700	P-UB-10	80 X 115 mm	362.66
KOB-YM01V00006R300	P-UB-10	80 X 110 mm	307.92	KOB-YN01V00112R100	P-UB-1	80 mm	184.56
KOB-YM01V00008R100	P-UB-1	90 mm	127.82	KOB-YN01V00112R800	N-N-10	120 mm	314.61
KOB-YM01V00008R200	N-N-10	125 mm	224.27	KOB-YN01V00112R900	P-UB-10	80 X 120 mm	503.78
KOB-YM01V00008R300	P-UB-10	90 X 125 mm	407.13	KOB-YN01V00151R100	P-UB-1	85 mm	153.50
KOB-YM01V00009R100	P-UB-1	75 mm	120.66	KOB-YN01V00151R200	N-N-10	120 mm	156.67
KOB-YM01V00009R200	N-N-10	105 mm	240.40	KOB-YN01V00151R300	P-UB-10	85 X 120 mm	573.03

REPLACEMENT KITS FOR KOBELCO

Kit Number	Code (Pg. xiv)	Rod X Bore Size	List Price	Kit Number	Code (Pg. xiv)	Rod X Bore Size	List Price
KOB-YN01V00151R600	N-N-10	120 mm	\$158.24	KOB-YY01V00008R300	P-UB-14	70 X 105 mm	\$200.66
KOB-YN01V00151R700	P-UB-10	85 X 120 mm	412.38	KOB-YY01V00008R700	P-UB-14	70 X 105 mm	266.23
KOB-YN01V00153R100	P-UB-1	80 mm	159.38	KOB-YY01V00001R100	P-UB-1	70 mm	103.26
KOB-YN01V00153R300	P-UB-10	80 X 120 mm	324.84	KOB-YY01V00001R200	N-N-14	100 mm	236.79
KOB-YN01V00175R100	P-UB-1	95 mm	157.43	KOB-YY01V00001R300	P-UB-14	70 X 100 mm	340.02
KOB-YN01V00175R200	N-N-10	135 mm	356.44	KOB-YY01V00003R100	P-UB-1	80 mm	114.58
KOB-YN01V00175R300	P-UB-10	95 X 135 mm	525.15	KOB-YY01V00003R200	N-N-14	115 mm	196.57
KOB-YW01V00003R200	N-N-14	95 mm	110.68	KOB-YY01V00003R300	P-UB-14	80 X 115 mm	311.14
KOB-YX01V00004R600	P-UB-1	80 mm	115.54	KOB-YY01V00004R900	P-UB-1	80 mm	115.54
KOB-YX01V00005R100	P-UB-1	65 mm	96.30	KOB-YY01V00004R910	P-UB-14	80 X 115 mm	312.15
KOB-YX01V00005R200	N-N-14	95 mm	110.68	KOB-YY01V00005R600	P-UB-1	65 mm	112.70
KOB-YX01V00005R300	P-UB-14	65 X 95 mm	133.06	KOB-YY01V00005R700	P-UB-14	65 X 95 mm	143.61
KOB-YX01V00006R100	P-UB-1	65 mm	123.63	KOB-YY01V00009R100	P-UB-1	80 mm	114.58
KOB-YX01V00006R200	N-N-10	110 mm	115.68	KOB-YY01V00009R200	N-N-14	115 mm	196.57
KOB-YX01V00006R300	P-UB-10	65 X 110 mm	239.30	KOB-YY01V00009R300	P-UB-14	80 X 115 mm	311.14
KOB-YX01V00008R100	P-UB-1	70 mm	69.26	KOB-YY01V000045R600	P-UB-1	70 mm	134.83
KOB-YX01V00008R200	N-N-14	105 mm	131.37	KOB-YY01V000045R700	P-UB-14	70 X 100 mm	371.60

REPLACEMENT PARTS FOR KOBELCO

NOTE: Kobelco part numbers are used as a reference only. We do not imply that these kits are original REPLACEMENT PARTS.

BACK-UP RINGS

Part Number	Min. Pkg Qty	List Price
KOB-2429U71S18	1	\$12.60
KOB-2438U1029S20	1	18.58
KOB-2438U1102S12	1	13.87
KOB-2438U1105S12	1	13.87
KOB-2438U1105S8	1	13.57
KOB-2438U1170S11	1	16.71
KOB-2438U1170S17	1	18.38
KOB-2438U1171S11	1	7.85
KOB-2438U1171S17	1	21.01
KOB-2438U1171S8	1	16.92
KOB-2438U1173S20	1	18.28
KOB-2438U1173S31	1	18.28
KOB-2438U1174S33	1	20.05
KOB-2438U1175S18	1	16.54
KOB-2438U1175S29	1	16.54
KOB-2438U1323S11	1	16.54

BACK-UP RINGS

Part Number	Min. Pkg Qty	List Price
KOB-2438U1323S8	1	\$48.10
KOB-2438U1324S11	1	15.68
KOB-2438U1324S8	1	41.91
KOB-2438U1333S16	1	11.49
KOB-2438U1753S16	1	15.22
KOB-2438U1949S12	1	13.61
KOB-2438U515S26	1	4.19
KOB-2438U554S20	1	11.49
KOB-2438U738S26	1	6.97
KOB-2438U776S11	1	15.68
KOB-2438U776S8	1	13.57
KOB-2438U814S32	1	11.24
KOB-2438U897S13	1	18.94
KOB-2438U914S27	1	12.96
KOB-2438U915S13	1	12.60
KOB-2438U921S16	1	15.04

BACK-UP RINGS

Part Number	Min. Pkg Qty	List Price
KOB-2438U921S33	1	\$15.04
KOB-2438U922S17	1	11.19
KOB-2438U953S8	1	43.41
KOB-2438U959S12	1	13.57
KOB-2438U959S8	1	13.57
KOB-2438U999S12	1	14.44
KOB-2438U999S8	1	13.57
KOB-2445R216D22	1	18.28
KOB-2445R216D28	1	11.49
KOB-LB01V00007S008	1	15.79
KOB-LP01V00001S009	10	1.18
KOB-LP01V00001S020	1	3.16
KOB-LP01V00002S007	2	7.93
KOB-LP01V00004S007	1	2.05
KOB-LP01V00004S017	1	21.88
KOB-LP01V00004S025	1	4.19

REPLACEMENT PARTS FOR KOBELCO

NOTE: Kobelco part numbers are used as a reference only. We do not imply that these kits are original REPLACEMENT PARTS.

BACK-UP RINGS

Part Number	Min. Pkg Qty	List Price
KOB-LQ01V00001S011	1	\$14.24
KOB-LQ01V00001S017	1	15.75
KOB-LQ01V00003S017	1	17.08
KOB-LQ01V00004S017	1	13.13
KOB-LQ01V00007S008	1	15.79
KOB-LQ01V00038S017	1	17.08
KOB-LS01V00020S008	1	15.79
KOB-PZ01V00003S008	1	13.31
KOB-YM01V00006S017	1	11.83
KOB-YM01V00008S017	1	14.45
KOB-YM01V00009S017	1	11.26
KOB-YN01V00001S009	1	6.13
KOB-YN01V00001S020	1	13.87
KOB-YN01V00003S007	1	9.63
KOB-YN01V00003S018	1	14.24
KOB-YN01V00004S007	1	7.08
KOB-YN01V00004S018	1	13.61
KOB-YN01V00052S020	1	13.87
KOB-YN01V00105S008	1	13.57
KOB-YN01V00106S017	1	13.13
KOB-YR01V00001S011	1	13.61
KOB-YX01V00002S018	1	3.37
KOB-YX01V00006S016	1	12.60
KOB-YY01V00004S038	1	38.44
KOB-YY01V00045S033	1	25.61
KOB-ZD75G06500	1	4.19
KOB-ZD75G07500	1	12.66
KOB-ZD75G08000	1	12.84
KOB-ZD75G09000	1	13.03
KOB-ZD75G09500	1	13.03
KOB-ZD75G10000	1	13.31
KOB-ZD75G10500	1	13.61
KOB-ZD75G11500	1	13.87
KOB-ZD85G18000	1	20.05
KOB-ZD85P11000	1	12.60

BUFFER RINGS

Part Number	Rod Dia.	List Price
KOB-LP01V00004S021	50 mm	\$21.19
KOB-LP01V00001S022	70 mm	39.30
KOB-YY01V00045S031	70 mm	39.30
KOB-YN01V00001S022	80 mm	44.24
KOB-YN01V00106S006	80 mm	76.33
KOB-YN01V00153S006	80 mm	44.24
KOB-YY01V00004S036	80 mm	44.24
KOB-LQ01V00004S006	85 mm	80.56
KOB-YN01V00052S022	85 mm	47.47
KOB-YN01V00103S035	85 mm	80.56
KOB-YN01V00151S006	85 mm	47.47
KOB-YN01V00003S020	95 mm	60.49
KOB-YN01V00175S006	95 mm	60.49
KOB-2438U1170S6	100 mm	50.02
KOB-2438U1324S25	100 mm	50.02
KOB-LC01V00044S006	100 mm	62.24
KOB-LQ01V00038S006	105 mm	64.49
KOB-2438U1171S6	120 mm	59.51

BUFFER SEALS

Part Number	Rod Dia.	List Price
KOB-2438U504S18	60 mm	\$29.55
KOB-R45P0050D6	65 mm	32.89
KOB-R45P0050D1	70 mm	38.20
KOB-R45P0050D2	75 mm	40.77
KOB-YM01V00009S031	75 mm	41.78
KOB-YN01V00004S020	75 mm	41.78
KOB-R45P0050D9	80 mm	43.93
KOB-YM01V00006S006	80 mm	44.24
KOB-2438U278S25	85 mm	43.38
KOB-2438U959S6	85 mm	43.38
KOB-YM01V00008S006	90 mm	57.30
KOB-2438U999S6	90 mm	44.02
KOB-YM01V00008S034	90 mm	57.30
KOB-2438U720S19	95 mm	49.24
KOB-2438U776S6	95 mm	49.24
KOB-LC01V00006S032	100 mm	62.24

BUFFER SEALS

Part Number	Rod Dia.	List Price
KOB-2438U1324S6	100 mm	\$50.02
KOB-R45P0050D11	100 mm	50.02
KOB-2438U953S6	105 mm	56.91
KOB-2438U1323S6	110 mm	59.40
KOB-R45P0050D12	110 mm	59.40
KOB-R45P0050D4	120 mm	59.51
KOB-LC01V00054S006	120 mm	72.90
KOB-R45P0050D13	130 mm	60.63

CUSHION SEALS

Part Number	List Price
KOB-2438U1104S15	\$51.36
KOB-2438U1104S24	27.76
KOB-2438U1135S15	27.04
KOB-LC01V00005S014	78.99
KOB-LC01V00005S025	53.78
KOB-LC01V00054S014	78.99
KOB-LQ01V00007S014	23.69
KOB-LQ01V00007S025	28.56
KOB-LQ01V00007S034	23.69
KOB-YM01V00006S014	34.44
KOB-YN01V00103S014	34.64
KOB-YN01V00105S014	35.97
KOB-YN01V00175S014	35.97

ROD BUSHING

Part Number	Rod Dia.	List Price
KOB-2438U1104S4	100 mm	\$62.28
KOB-2438U1324S4	100 mm	71.72

REPLACEMENT PARTS FOR KOBELCO

NOTE: Kobelco part numbers are used as a reference only. We do not imply that these kits are original REPLACEMENT PARTS.

O-RINGS

Part Number	Min. Pkg Qty	List Price
KOB-2429U71S19	10	\$1.25
KOB-2438U1173S23	5	1.74
KOB-2438U1174S19	5	4.55
KOB-2438U1323S10	2	10.66
KOB-2438U1324S10	2	8.80
KOB-2438U504S19	20	0.83
KOB-2438U504S8	5	4.26
KOB-2438U720S16	5	2.32
KOB-2438U776S10	2	8.80
KOB-2438U911S12	5	2.25
KOB-2438U914D1S14	10	1.29
KOB-45Z91D125	5	2.07
KOB-45Z91D16	10	0.91
KOB-45Z91D249	5	2.25
KOB-LP01V00001S008	20	0.88
KOB-LP01V00002S006	20	1.01
KOB-R45P0051D13	5	4.51
KOB-R45P0051D16	10	0.91
KOB-R45P0051D27	5	2.25
KOB-R45P0051D28	10	1.66
KOB-YN01V00004S006	20	0.48
KOB-ZD11P11000	3	8.06
KOB-ZD12G03500	20	0.77
KOB-ZD12G06000	5	2.15
KOB-ZD12G06500	5	1.43
KOB-ZD12G07500	5	2.07
KOB-ZD12G08000	5	2.09
KOB-ZD12G09000	4	2.15
KOB-ZD12G09500	4	2.80
KOB-ZD12G10000	4	2.42
KOB-ZD12G10500	3	2.45
KOB-ZD12G11000	3	3.24
KOB-ZD12G11500	3	3.19
KOB-ZD12G12000	3	3.33
KOB-ZD12G13000	5	3.56
KOB-ZD12G13500	2	4.18
KOB-ZD12G14000	2	7.46
KOB-ZD12G14500	2	4.28
KOB-ZD12G15000	2	9.14
KOB-ZD12G16000	2	6.73

O-RINGS

Part Number	Min. Pkg Qty	List Price
KOB-ZD12G17000	2	\$6.92
KOB-ZD12G18000	1	15.75
KOB-ZD12P07500	2	5.42
KOB-ZD12P09000	3	5.88
KOB-ZD12P09500	3	6.09
KOB-ZD12P10000	2	7.78
KOB-ZD12P11000	3	8.06
KOB-ZD12P11500	2	8.21
KOB-ZD12P12000	2	8.37
KOB-ZD12P13000	2	8.55
KOB-ZD12P13500	2	8.69
KOB-ZD12P14000	2	8.80

2 PIECE PISTON SEALS

Part Number	Bore Dia.	List Price
KOB-2438U504S7	100 mm	\$61.42
KOB-2438U807S4	105 mm	60.39
KOB-2438U676S21	105 mm	49.79
KOB-2438U716S23	110 mm	65.94
KOB-LE01V00006S014	115 mm	67.52
KOB-2438U695S6	120 mm	67.52
KOB-2438U1105S16	120 mm	38.68
KOB-2438U675US20	125 mm	67.52
KOB-2438U1382S15	130 mm	69.86
KOB-LQ01V00001S016	135 mm	78.91
KOB-2438U999S16	140 mm	79.77
KOB-2438U706S6	145 mm	81.92
KOB-2438U1324S15	150 mm	85.76
KOB-2438U776S15	150 mm	85.76
KOB-2438U1323S15	160 mm	93.64
KOB-2438U1171S16	170 mm	106.40

PISTON SEALS

Part Number	Bore Dia.	List Price
KOB-LP01V00004S008	70 mm	\$56.19
KOB-YX01V00002S009	105 mm	77.72
KOB-EY01V00003S006	115 mm	87.43
KOB-YN01V00004S029	115 mm	87.43
KOB-2438U995S8	120 mm	82.47
KOB-YN01V00001S031	120 mm	82.47
KOB-2438U675S20	125 mm	67.52
KOB-YN01V00052S010	125 mm	91.68
KOB-2438U980S8	125 mm	91.68
KOB-YN01V00003S034	135 mm	105.41
KOB-2438U1104S18	145 mm	81.92
KOB-2438U982S6	145 mm	113.01
KOB-2438U1175S8	160 mm	138.62
KOB-2438U984S10	170 mm	157.08
KOB-2438U985S8	180 mm	145.30
KOB-2438U1174S8	190 mm	183.38

U-SEALS

Part Number	Rod Dia.	List Price
KOB-24838U42S10	60 mm	\$15.11
KOB-2438U286S31	65 mm	17.11
KOB-2438U897S18	65 mm	21.20
KOB-2438U561S11	70 mm	24.08
KOB-YY01V00045S032	70 mm	23.56
KOB-2438U309S35	75 mm	26.51
KOB-2438U814S31	75 mm	26.51
KOB-2418U130D34	80 mm	29.53
KOB-2438U1105S7	80 mm	29.53
KOB-YN01V00153S007	80 mm	29.53
KOB-YY01V00004S037	80 mm	38.18
KOB-2438U914D1S21	85 mm	32.07
KOB-2438U959S7	85 mm	38.51
KOB-2438U307S35	85 mm	32.07
KOB-YN01V00151S007	85 mm	32.07
KOB-2438U999S7	90 mm	33.76

REPLACEMENT PARTS FOR KOBELCO

NOTE: Kobelco part numbers are used as a reference only. We do not imply that these kits are original REPLACEMENT PARTS.

U-SEALS

Part Number	Rod Dia.	List Price
KOB-2438U720S21	95 mm	\$35.71
KOB-2438U776S7	95 mm	36.02
KOB-YN01V00105S007	95 mm	35.71
KOB-YN01V00175S007	95 mm	35.71
KOB-2438U1324S7	100 mm	39.04
KOB-2438U17-18	100 mm	50.94
KOB-LQ01V00007S007	100 mm	24.85
KOB-2438U953S7	105 mm	48.52
KOB-LQ01V00038S007	105 mm	43.81
KOB-2418U130D23	110 mm	49.63
KOB-2438U1323S7	110 mm	54.38
KOB-2438U1173S24	115 mm	54.24
KOB-2438U352S10	120 mm	55.52
KOB-LC01V00054R007	120 mm	55.52
KOB-2438U1171S7	120 mm	64.31

WEAR RINGS

Part Number	OD x Width	List Price
KOB-R45T0098D1	100 X 14.8 mm	\$18.26
KOB-2438U814S23	105 x 6 mm	107.26
KOB-YM01V00009S018	105 x 6 mm	12.92
KOB-2438U1949S17	110 x 6 mm	44.65
KOB-2438U1949S16	110 x 7.8 mm	14.55
KOB-YN01V00106S018	115 x 7.8 mm	14.74
KOB-YN01V00001S012	120 x 6 mm	40.53
KOB-2438U1109S9	120 x 9.4 mm	17.02
KOB-LQ01V00030S017	125 x 7.9 mm	13.89
KOB-YM01V00008S018	125 X 7.9 mm	15.98
KOB-2438U675S28	125 X 8 mm	54.95
KOB-LQ01V00001S018	135 X 7.9 mm	17.94
KOB-YN01V00105S050	135 X 7.9 mm	17.94
KOB-YN01V00175S018	135 X 7.9 mm	16.53
KOB-LQ01V00001S019	135 X 8 mm	56.97
KOB-YN01V00003S009	135 X 9.5 mm	23.13
KOB-YN01V00019S037	135 X 9.5 mm	23.13
KOB-YN01V00049S009	135 X 9.5 mm	23.13
KOB-2438U999S18	140 X 8 mm	57.69

WEAR RINGS

Part Number	OD x Width	List Price
KOB-LQ01V00003S018	140 X 9.5 mm	\$20.60
KOB-2438U999S17	140 X 9.5 mm	20.60
KOB-LC01V00044S018	140 X 9.5 mm	20.60
KOB-2438U1104S20	145 X 7.9 mm	90.75
KOB-LQ01V00038S018	145 X 9.5 mm	20.60
KOB-2438U1324S17	150 X 8 mm	63.71
KOB-LC01V00006S017	150 x 9.3 mm	20.75
KOB-LC01V00055S017	150 x 9.5 mm	17.24
KOB-2438U953S17	150 X 9.5 mm	20.75
KOB-2438U1175S10	160 X 9.7 mm	78.30
KOB-2438U1028D1S11	170 X 14.8 mm	28.75
KOB-2438U1171S18	170 x 9.5 mm	24.83
KOB-2438U1171S19	170 x 9.7 mm	95.89
KOB-2438U1028D1S12	170 X 9.7 mm	95.89
KOB-2438U1174S9	190 X 15 mm	33.15
KOB-2438U507S41	190 X 9.7 mm	99.72

WIPERS

Part Number	Rod Dia.	List Price
KOB-2438U692S20	50 mm	\$26.91
KOB-2438U724S17	60 mm	34.73
KOB-2438U908S27	65 mm	34.75
KOB-2438U922S25	70 mm	37.30
KOB-2438U922S31	70 mm	37.30
KOB-YY01V00045S034	70 mm	39.51
KOB-2438U915S26	75 mm	16.26
KOB-LP01V00007S009	75 mm	42.47
KOB-2438U928S24	80 mm	47.29
KOB-2438U928S33	80 mm	47.29
KOB-2438U1105S35	80 mm	50.10
KOB-YY01V00004S039	80 mm	50.10
KOB-2438U914D1S22	85 mm	53.67
KOB-2438U914S28	85 mm	53.67
KOB-2438U914D1S28	85 mm	16.68
KOB-LP01V00008S009	85 mm	56.86
KOB-2438U999S10	90 mm	58.02
KOB-2438U1135S35	90 mm	61.48

WIPERS

Part Number	Rod Dia.	List Price
KOB-2438U1135S33	90 mm	\$61.48
KOB-2438U776S9	95 mm	31.94
KOB-2438U921S34	95 mm	59.34
KOB-YN01V00105S009	95 mm	31.94
KOB-2438U1324S9	100 mm	60.92
KOB-2438U588S38	100 mm	60.92
KOB-2438U1172S37	100 mm	64.55
KOB-2438U953S10	105 mm	58.87
KOB-YN01V00020S009	105 mm	62.36
KOB-2438U1323S9	110 mm	62.41
KOB-2438U510S29	110 mm	62.41
KOB-2438U1173S25	115 mm	55.19
KOB-2438U1171S34	120 mm	72.35
KOB-2438U1343S28	130 mm	74.73

KOEHRING

Repair parts for Koehring are available online at www.HerculesUS.com or by contacting the Hercules Sales Team at the information provided below.

KOEHRING

870

BARRIE, ON
TEL (800) 665-7325
FAX (800) 565-6990

sales@HerculesCA.ca
www.HerculesCA.ca

MONTREAL, QC
TEL (800) 565-6534
FAX (800) 263-9533

HERCULES[®]
SEALING PRODUCTS CANADA

REPLACEMENT SEAL KITS FOR KOMATSU EQUIPMENT*

Replacement Seal Kits By Machine Type

Machine Type	Table of Contents	Page
Backhoe Loaders	WB140-2, WB140-2N, WB140PS-2, WB140PS-2N, WB146-5, WB146PS-5, WB150-2, WB150-2N, WB150AWS-2, WB150AWS-2N, WB150PS-2, WB150PS-2N	872 - 876
Crawler Dozers	D20A-7, D21A-7, D20P-7A, D21P-7A, D20PLL-6, D21A-8, D21P-8, D21PL-5, D31E-20, D31EX-21, D31PX-21, D31EX-21A, D31PX-21A, D31EX-22, D31P-20, D31PX-22, D31Q-20, D37E-5, D37P-5, D37EX-21, D37PX-21, D37EX-21A, D37PX-21A, D37EX-22, D37PX-22, D39EX-21, D39PX-21, D39EX-21A, D39PX-21A, D39EX-22, D39EX-23, D39EX-24, D39EXI-23, D39EXI-24, D39PX-22, D39PX-23, D39PX-24, D39PXI-23, D39PXI-24 D40A-1, D40P-1, D40A-3, D40F-3, D40P-3, D40PL-3, D40PLL-3, D40PL-1, D41A-6, D41E-6, D41P-6, D50-17, D50A-17, D50P-17, D50PL-17, D51EX-22, D51PX-22, D51EXI-22, D58E-1B, D60A-8, D65A-8, D60E-8, D60P-8, D60PL-8, D60S-8, D61EX-12, D61PX-12, D61EX-15, D61PX-15, D61EX-23, D61EXI-23, D61EXI-24, D61PX-23, D61PX-24, D61PXI-23, D61PXI-24 D65A-8, D65E-12, D65EX-12, D65EX-15, D65EX-15E0, D65EX-16, D65EX-17, D65P-12, D51PXI-22, D65PX-12, D65PX-15, D65PX-15E0, D65PX-16, D65PX-17, D65WX-17, D75S-5, D85A-21, D85E-21, D85E-21, D85P-21, D95S-2, D155A-3, D155AX-3, D155AX-5, D155AX-6, D275A-2, D275A-5, D375A-2, D375A-3, D375A-5, D375A-6, D475A-2, D475A-3, D475A-3 SD, D475A-5, D475A-5E0, D475ASD-5E0	876 - 897
Dump Trucks - Articulated	HM300-1, HM300-1L, HM300-2, HM300-3, HM400-1, HM400-1L, HM400-2, HM400-3	897 - 900
Excavators	PC12R-8, PC15R-8, PC20-7, PC20MRX-1, PC20R-8, PC25R-8, PC27MR-2, PC27MRX-1, PC27R-8, PC30MRX-1, PC35MR-2, PC35MRX-1A, PC35R-8, PC35MR-8, PC40MR-1, PC40MRX-1, PC40R-8, PC45-1, PC45MR-3, PC45MRX-1, PC45R-8, PC50MR-2, PC50UU-2, PC60-7, PC60U-5, PC75UU-2, PC75UU-3, PC78MR-6, PC78U-5, PC78US-6, PC88MR-8, PC88MR-10, PC95R-2, PC100-6, PC120-6, PC128US-2, PC128UU, PC128UU-2, PC130-6, PC130-7K, PC138USLC-2, PC138USLC-8, PC138USLC-10, PC138USLC-11, PC150-5, PC150-6K, PC150LC-6K, PC160-6K, PC160LC-7, PC160LC-7-E0, PC160LC-7K, PC160LC-7K-KA, PC160LC-8, PC170LC-10, PC170LC-11, PC180LC-6K, PC180LC-7K, PC180NLC-6K, PC180NLC-7K, PC200-2, PC200-6, PC200-6S, PC200LC-6S, PC200-7, PC200LC-7, PC200LC-6, PC200LC-6LE, PC200LC-7L, PC200LC-7-US, PC200LC-8, PC200LC-8E0, PC210-6, PC210-6K, PC210-7K, PC210LC-6, PC210LC-6K, PC210LC-7K, PC210LC-8K, PC210LC-10, PC210LC-11, PC210LC-11, PC210LCI-10, PC210LCI-11, PC210NLC-7K, PC220-6, PC220LC-6, PC220LC-6LC, PC220LC-6LE, PC220LC-7, PC220LC-7L, PC220LC-8, PC228USLC-1, PC228USLC-2, PC228USLC-3, PC228USLC-3E0, PC228USLC-3S, PC228USLC-8, PC228USLC-10, PC230-6, PC240-6K, PC240LC-6K, PC240LC-7K, PC240LC-10, PC240LC-11, PC240NLC-6K, PC240NLC-7K, PC250LC-6, PC270-8, PC270LC-7, PC270LC-8, PC270LL-7L, PC290LC-11, PC290LC-6K, PC290LC-7K, PC290LC-10, PC290LL-11, PC290NLC-6K, PC290NLC-7K, PC300-5, PC300LC-5, PC300-6, PC300-7, PC300HD-7E0, PC300HD-7L, PC300HD-8, PC300LC-7, PC300LC-7E0, PC300LC-7L, PC300LC-8, PC300LL-7E0, PC300LL-7L, PC308USLC-3, PC308USLC-3E0-W1, PC340-6K, PC340LC-6K, PC340LC-7K, PC340NLC-6K, PC340NLC-7K, PC350-6, PC350LC-8, PC360LC-10, PC360LC-11, PC360LCI-11, PC400-5 L/S, PC400-5, PC400LC-5, PC400-6, PC400-7, PC400LC-7, PC400-7E0, PC400LC-7E0, PC400LC-7L, PC400LC-8, PC450-6, PC450-6K, PC450-7K, PC450LC-6K, PC450LC-7K, PC450LC-8, PC490LC-10, PC490LC-11, PC490LCI-11 PC600-6, PC600LC-6, PC600LC-6A, PC600LC-6K, PC600LC-7, PC600LC-8, PC650-5, PC750-6, PC750SE-6, PC800-6, PC800-7, PC800SE-6, PC800SE-8, PC1000-1, PC1000SE-1, PC1000SP-1, PC1100-6, PC1100SP-6, PC1250-7, PC1250-8, PC1250LC-7, PC1250LC-8, PC1250SP-7, PC1250SP-8, PC1800-6, PC2000-8, PC8000-6E	900 - 934
Excavators - Compact	PC27MR-3, PC28UU-2, PC28UU-3, PC35MR-3, PC35MR-5, PC45MR-5, PC55MR-3, PC55MR-5, PC78US-8, PC78US-10, PC88MR-10	934 - 940
Excavators - Wheel	PW05-1, PW20-1, PW30-1, PW60N-1, PW60-3, PW100-1, PW100-3, PW100N-3, PW150-1, PW210-1	940 - 941
Loaders - Skid Steer	SK815-5, SK815-5N, SK1020-5, SK1020-5N, SK1020-5NA	941
Loaders - Track Skid Steer	CK30-1, CK35-1	942
Loaders - Wheel	WA40-1, WA50-3, WA65-3, WA65-5, WA70-1, WA120-1, WA120-3, WA180-1, WA180-3, WA200-5L, WA200L-5, WA200-7, WA250-1, WA250-3, WA250-5, WA250-5L, WA250-6, WA250L-5, WA250PT-5, WA250PT-5L, WA250PTL-5, WA250PZ-6, WA270-7, WA270-8, WA320-1, WA320-3, WA320-3L, WA320-5L, WA320-6, WA320-8, WA320PT-5L, WA320PZ-6, WA380-1, WA380-3, WA380-8, WA380-5L, WA380-6, WA380-7, WA420-1, WA420-3, WA430-6, WA450-2, WA450-3, WA450-5L, WA450-6, WA470-3, WA470-5, WA470-6, WA470-7, WA470-8, WA500-1, WA500-3, WA500-3LE, WA500-6, WA500-7, WA500-8, WA600-1, WA600-3, WA600-3L, WA600-6, WA700-1, WA700-3, WA800-1, WA800-2, WA800-3, WA900-1, WA900-3, WA900-3E0, WA900-3LC, WA900L-3	942 - 958
Motor Graders	GD200A-1, GD461A-1, GD663A-1, GD705A-4, GD825A-2	958
Off-Highway Trucks	830, 830E, 930, 930E-4, HD205-3, HD325-3, HD325-5, HD465-3, HD785-3, HD785-5, HD985-3, HD1200M-1	958 - 959
Wheel Dozers	WD600-3	959
Alpha-Numeric Kit Listing		960 - 969
Komatsu Individual Parts		970 - 979
Komatsu Lift Trucks and Track Adjuster Kits		980

KOMATSU

The following models are available online at www.HerculesUS.com or by calling your regional sales team at www.HerculesUS.com

Crawler Dozers	D20A-5, D20A-6, D20P-5, D20P-5A, D20Q-5, D20PL-5, D20P-6, D20P-6A, D20Q-6, D20S-6, D20S-5, D21A-5, D21A-6, D21E-6, D21P-5, D21P-5A, D21Q-5, D21S-5, D21P-6, D21P-6A/B, D21Q-6, D21S-6, D31A-17, D31E-18, D31P-17, D31P-17A/B, D31PL-17, D31PLL-17, D31P-18, D31PL-18, D31PLL-18, D31P-18A, D31Q-17, D31Q-18, D31S-17, D31S-18, D31S-20, D355A-3, D355A-5, D375A-1, D37E-1, D37P-1, D37E-2, D37P-2, D41A-3, D41P-3, D41E-3, D41Q-3, D41S-3, D45A-1, D45P-1, D45E-1, D45S-1, D475A-1, D50S-16, D50A-16, D50P-16, D53A-16, D53A-17, D53-17, D53P-16, D53P-17, D53S-16, D53S-17, D57S-1, D57S-1B, D58E-1, D58P-1, D60E-7, D60A-7, D60S-7, D60P-7, D60PL-7, D63E-1, D65A-6, D65A-7, D65E-7, D65A-7, D65E-8, D65P-6, D65P-7, D65S-7, D65P-8, D65S-8, D66S-1, D68E-1, D68P-1, D75A-1, D75S-3, D80A-18, D80E-18, D83E-1, D83P-1, D85A-18, D85E-18, D85E-SS-2A, D135A-1, D135A-2, D155A-1, D155A-2
Excavators	PC05-5, PC05-6, PC10-5, PC10-6, PC10-7, PC12UU-1, PC15-2, PC15-1, PC15-3, PC20-5, PC20-6, PC25-1, PC280LC-3, PC28UU-1, PC30-5, PC30-6, PC30-7, PC360LC-3, PC38UU-1, PC40-5, PC40-6, PC40-7, PC50UU-1, PC60-5, PC60L-5, PC60-6, PC60L-6, PC650-1, PC650-3, PC710-5, PC75UU-1, PC80-3, PC80LC-3, PC90-1, PC100-3, PC100-1/2, PC100L-3, PC100U-3, PC100-5, PC100L-5, PC120-3, PC120-5, PC150-1, PC150-3, PC150LC-3, PC200-1, PC200-3, PC200LC-3, PC200-5, PC200LC-5, PC210-3, PC210LC-3, PC220, PC220LC, PC220-2/3, PC220-5, PC220LC-5, PC300-3, PC300LC-3, PC400-3, PC400LC-3
Loaders - Wheel	WA20-1, WA30-1, WA30-2, WA100-1, WA150-1, WA200-1, WA300-1, WA350-1, WA400-1, WA450-1, WA470-1
Motor Graders	GD300A-1, GD313A-1, GD405A-1, GD505A-2, GD511A-1, GD515A-1, GD500R, 505R, 510, 513, 521, 523, GD525A-1, GD615A-1, GD623A-1, GD600R, 605, 611, 613, 621, 623, GD625A-1, GD705A-3, GD725A-1, GD825A-1

All manufacturer's names, part numbers and descriptions are used for reference purposes only. We do not imply that any part shown is the product of these manufacturers. We also do not imply that the list price shown is exactly that of the manufacturer.

Replacement Kits For

KOMATSU

Backhoe Loaders								
APPLICATION	CYL #	SERIAL #	Misc	CODE	ROD	BORE	KIT #	List \$
MODEL WB140-2								
B/H ARM	395002005	140F10001-		P-UB-14	60 mm	110 mm	KOM-878000490	143.27
B/H BOOM	395001007	140F10001- 140F10943		P-UB-14	60 mm	120 mm	KOM-878000489	141.74
	395001009	140F11531-		P-UB-14	60 mm	120 mm	KOM-878000489	141.74
B/H BOOM SWING LH	395005010	140F10001- 140F11408		P-UB-14	50 mm	115 mm	KOM-878000542	110.36
	395005018	140F11409-		P-UB-14	50 mm	115 mm	KOM-878000542	110.36
	707-02-11510	30026-		P-U-14	50 mm	115 mm	KOM-707-98-33500	116.72
	707-02-11510	30026-		Bushing	50 mm		KOM-07177-05030	18.73
B/H BOOM SWING RH	395005009	140F10001- 140F11408		P-UB-14	50 mm	115 mm	KOM-878000542	110.36
	395005017	140F11409-		P-UB-14	50 mm	115 mm	KOM-878000542	110.36
	707-02-11520	30026-		P-U-14	50 mm	115 mm	KOM-707-98-33500	116.72
	707-02-11520	30026-		Bushing	50 mm		KOM-07177-05030	18.73
B/H BUCKET	395003003	140F10001- 140F11530		P-UB-14	60 mm	95 mm	KOM-878000492	130.48
	395003005	140F11531-		P-UB-14	60 mm	95 mm	KOM-878000492	130.48
B/H OUTRIGGER LH	395011005	140F10001- 140F10792		P-UB-14	55 mm	110 mm	KOM-878000494	94.43
	395011008	140F10793-		P-UB-14	55 mm	110 mm	KOM-878000494	94.43
B/H OUTRIGGER RH	395011006	140F10001- 140F10792		P-UB-14	55 mm	110 mm	KOM-878000494	94.43
	395011007	140F10793-		P-UB-14	55 mm	110 mm	KOM-878000494	94.43
B/H TELESCOPIC ARM	395009001	140F10001- 140F11530		P-UB-10	40 mm	70 mm	KOM-878000388	88.92
	395009006	140F11531-		P-UB-10	40 mm	70 mm	KOM-878000388	88.92
L/S BOOM	395012014	140F10001-		P-UB-14	50 mm	85 mm	KOM-878000486	109.88
	707-00-80C10	30026-		P-U-14	50 mm	80 mm	KOM-707-98-25090	108.61
	707-00-80C10	30026-		Bushing	50 mm		KOM-07177-05030	18.73
L/S BUCKET	395013017	140F10001- 140F11450		P-UB-14	50 mm	80 mm	KOM-878000487	99.12
	707-00-85080	30026-		P-U-14	50 mm	85 mm	KOM-707-98-25830	140.39
	707-00-85080	30026-		Bushing	50 mm		KOM-07177-05030	18.73
L/S BUCKET LH	395013017	140F11451-		P-UB-14	50 mm	80 mm	KOM-878000487	99.12
L/S BUCKET MP	312230674	140F10001-		I-U-15	45 mm	80 mm	KOM-827020113	39.23
L/S BUCKET QC	200060282	140F10001-		I-SP-10	18 mm	30 mm	KOM-42N-879-1980	59.28
L/S BUCKET RH	395013019	140F11451-		P-UB-14	50 mm	80 mm	KOM-878000487	99.12
OUTRIGGER LH	721-00-11540	30026-		P-U-14	55 mm	110 mm	KOM-707-98-34460	107.35
	721-00-11540	30026-		Bushing	55 mm		KOM-07177-05530	22.11
OUTRIGGER RH	721-00-11550	30026-		P-U-14	55 mm	110 mm	KOM-707-98-34460	107.35
	721-00-11550	30026-		Bushing	55 mm		KOM-07177-05530	22.11
MODEL WB140-2N								
B/H ARM	2938-856-730	A20814-		P-UB-14	60 mm	110 mm	KOM-878000490	143.27
	395002005	A20001-A20813		P-UB-14	60 mm	110 mm	KOM-878000490	143.27
B/H BOOM	395001007	A20637-		P-UB-14	60 mm	120 mm	KOM-878000489	141.74
	395001009	A20001-A20636		P-UB-14	60 mm	120 mm	KOM-878000489	141.74
B/H BOOM SWING LH	395005018	A20001-A20636		P-UB-14	50 mm	115 mm	KOM-878000542	110.36
	395005022	A20637-		P-UB-14	50 mm	115 mm	KOM-878000542	110.36
B/H BOOM SWING RH	395005017	A20001-A20636		P-UB-14	50 mm	115 mm	KOM-878000542	110.36
	395005021	A20637-		P-UB-14	50 mm	115 mm	KOM-878000542	110.36
B/H BUCKET	395003005	A20001-		P-UB-14	60 mm	95 mm	KOM-878000492	130.48
B/H OUTRIGGER	395011007	A20637-		P-UB-14	55 mm	110 mm	KOM-878000494	94.43
B/H OUTRIGGER LH	395011008	A20001-A20636		P-UB-14	55 mm	110 mm	KOM-878000494	94.43
B/H OUTRIGGER RH	395011007	A20001-A20636		P-UB-14	55 mm	110 mm	KOM-878000494	94.43
B/H TELESCOPIC ARM	395009005	A20637-		P-UB-10	40 mm	70 mm	KOM-878000388	88.92
	395009006	A20001-A20636		P-UB-10	40 mm	70 mm	KOM-878000388	88.92

LT - Large size tire L/S - Loading Shovel SLF - Super Long Front B/H - Backhoe HD - Heavy Duty L BUCKET - Large Bucket
 K-LINK - K-type Linkage Blade LB HI-LIFT - High Lift Arm w Large Bucket HI-LIFT - High Lift Arm S HI-LIFT - Super High Lift Arm
 SU - Semi-U Dozer PAT - Power Angle Power Tilt MP - Mult-Purpose

Replacement Kits For

KOMATSU

KOMATSU

Backhoe Loaders								
APPLICATION	CYL #	SERIAL #	Misc	CODE	ROD	BORE	KIT #	List \$
MODEL WB140-2N								
L/S BOOM	2938-62-1290	A20814-		P-UB-14	50 mm	85 mm	KOM-878000486	109.88
	395012014	A20001-A20813		P-UB-14	50 mm	85 mm	KOM-878000486	109.88
L/S BUCKET	395013017	A20001-A20636		P-UB-14	50 mm	80 mm	KOM-878000487	99.12
L/S BUCKET LH	395013017	A20637-A20813		P-UB-14	50 mm	80 mm	KOM-878000487	99.12
L/S BUCKET MP	312230674	A20001-		I-U-15	45 mm	80 mm	KOM-827020113	39.23
L/S BUCKET QC	200060282	A20001-A20636		I-SP-10	18 mm	30 mm	KOM-42N-879-1980	59.28
L/S BUCKET RH	395013019	A20637-A20813		P-UB-14	50 mm	80 mm	KOM-878000487	99.12
	395013022	A20814-		P-UB-14	50 mm	80 mm	KOM-878000487	99.12
MODEL WB140PS-2								
B/H ARM	395002005	140F50001-		P-UB-14	60 mm	110 mm	KOM-878000490	143.27
B/H BOOM	395001007	140F50001-140F50091		P-UB-14	60 mm	120 mm	KOM-878000489	141.74
	395001009	140F50092-		P-UB-14	60 mm	120 mm	KOM-878000489	141.74
B/H BOOM SWING LH	395005010	140F50001-		P-UB-14	50 mm	115 mm	KOM-878000542	110.36
	395005018	140F50092-		P-UB-14	50 mm	115 mm	KOM-878000542	110.36
B/H BOOM SWING RH	395005009	140F50001-		P-UB-14	50 mm	115 mm	KOM-878000542	110.36
	395005017	140F50092-		P-UB-14	50 mm	115 mm	KOM-878000542	110.36
B/H BUCKET	395003003	140F50001-140F50091		P-UB-14	60 mm	95 mm	KOM-878000492	130.48
	395003005	140F50092-		P-UB-14	60 mm	95 mm	KOM-878000492	130.48
B/H OUTRIGGER LH	395011008	140F50001-		P-UB-14	55 mm	110 mm	KOM-878000494	94.43
B/H OUTRIGGER RH	395011007	140F50001-		P-UB-14	55 mm	110 mm	KOM-878000494	94.43
B/H TELESCOPIC ARM	395009001	140F50001-140F50091		P-UB-10	40 mm	70 mm	KOM-878000388	88.92
	395009006	140F50092-		P-UB-10	40 mm	70 mm	KOM-878000388	88.92
L/S BOOM	395012014	140F50001-		P-UB-14	50 mm	85 mm	KOM-878000486	109.88
L/S BUCKET	395013017	140F5001-140F50091		P-UB-14	50 mm	80 mm	KOM-878000487	99.12
L/S BUCKET LH	395013017	140F50092-		P-UB-14	50 mm	80 mm	KOM-878000487	99.12
L/S BUCKET MP	312230674	140F50001-		I-U-15	45 mm	80 mm	KOM-827020113	39.23
L/S BUCKET QC	200060282	140F50001-		I-SP-10	18 mm	30 mm	KOM-42N-879-1980	59.28
L/S BUCKET RH	395013019	140F50092-		P-UB-14	50 mm	80 mm	KOM-878000487	99.12
MODEL WB140PS-2N								
B/H ARM	2938-856-730	A40043-		P-UB-14	60 mm	110 mm	KOM-878000490	143.27
	395002005	A40034-A40042		P-UB-14	60 mm	110 mm	KOM-878000490	143.27
	395002006	A40001-A40033		P-UB-14	60 mm	115 mm	KOM-878000491	150.01
B/H BOOM	395001007	A40034-		P-UB-14	60 mm	120 mm	KOM-878000489	141.74
	395001010	A40001-A40033		P-UB-14	60 mm	125 mm	KOM-878000541	188.23
B/H BOOM SWING LH	395005018	A40001-A40033		P-UB-14	50 mm	115 mm	KOM-878000542	110.36
	395005022	A40034-		P-UB-14	50 mm	115 mm	KOM-878000542	110.36
B/H BOOM SWING RH	395005017	A40001-A40033		P-UB-14	50 mm	115 mm	KOM-878000542	110.36
	395005021	A40034-		P-UB-14	50 mm	115 mm	KOM-878000542	110.36
B/H BUCKET	395003005	A40001-		P-UB-14	60 mm	95 mm	KOM-878000492	130.48
B/H OUTRIGGER	395011007	A40034-		P-UB-14	55 mm	110 mm	KOM-878000494	94.43
	395011008	A40001-A40033		P-UB-14	55 mm	110 mm	KOM-878000494	94.43
B/H TELESCOPIC ARM	395009005	A40034-		P-UB-10	40 mm	70 mm	KOM-878000388	88.92
	395009006	A40001-A40033		P-UB-10	40 mm	70 mm	KOM-878000388	88.92
L/S BOOM	2938-62-1290	A40043-		P-UB-14	50 mm	85 mm	KOM-878000486	109.88
	395012014	A40001-A40042		P-UB-14	50 mm	85 mm	KOM-878000486	109.88
L/S BUCKET LH	395013017	A40001-		P-UB-14	50 mm	80 mm	KOM-878000487	99.12
L/S BUCKET MP	312230674	A40001-		I-U-15	45 mm	80 mm	KOM-827020113	39.23
L/S BUCKET QC	200060282	A40001-A40033		I-SP-10	18 mm	30 mm	KOM-42N-879-1980	59.28
L/S BUCKET RH	395013019	A40001-A40042		P-UB-14	50 mm	80 mm	KOM-878000487	99.12
	395013022	A40043-		P-UB-14	50 mm	80 mm	KOM-878000487	99.12
MODEL WB146-5								
B/H ARM	707-00-0Y873	A23001-		P-UB-14	60 mm	115 mm	KOM-707-99-35590	114.54

LT - Large size tire L/S - Loading Shovel SLF - Super Long Front B/H - Backhoe HD - Heavy Duty L BUCKET - Large Bucket
 K-LINK - K-type Linkage Blade LB HI-LIFT - High Lift Arm w Large Bucket HI-LIFT - High Lift Arm S HI-LIFT - Super High Lift Arm
 SU - Semi-U Dozer PAT - Power Angle Power Tilt MP - Mult-Purpose

FORMERLY LISTED REPAIR PARTS ARE AVAILABLE ONLINE AT WWW.HERCULESCA.CA
 OR BY CONTACTING YOUR REGIONAL HERCULES SALES TEAM.

Replacement Kits For

KOMATSU

KOMATSU

Backhoe Loaders								
APPLICATION	CYL #	SERIAL #	Misc	CODE	ROD	BORE	KIT #	List \$
MODEL WB146-5								
B/H BOOM	707-00-0Y942	A23001-		P-UB-14	60 mm	120 mm	KOM-707-99-41270	158.27
B/H BUCKET	707-00-0Y902	A23001-		P-UB-14	55 mm	90 mm	KOM-707-99-26530	142.53
B/H OUTRIGGER LH	707-00-0Y830	A23001-		P-UB-14	50 mm	100 mm	KOM-707-99-32190	128.08
B/H OUTRIGGER RH	707-00-0Y840	A23001-		P-UB-14	50 mm	100 mm	KOM-707-99-32190	128.08
B/H SWING	707-02-07731	A23001-		P-UB-14	50 mm	100 mm	KOM-707-99-32070	183.11
B/H TELESCOPIC ARM	42N-6C-13301	A23001-		P-UB-10	40 mm	70 mm	KOM-42N-6C-13330	71.79
L/S BOOM	42N-6C-A1500	A23001-		P-UB-14	50 mm	90 mm	KOM-2938-6C-1290	127.01
L/S BUCKET LH	42N-6C-A1700	A23001-		P-UB-14	45 mm	70 mm	KOM-2938-6C-1480	104.80
L/S BUCKET MP	42N-6C-12800	A23001-		P-UB-14	40 mm	70 mm	KOM-42N-6C-13340	97.96
L/S BUCKET RH	42N-6C-A1800	A23001-		P-UB-14	45 mm	70 mm	KOM-2938-6C-1480	104.80
MODEL WB146PS-5								
B/H ARM	707-00-0Y873	A43001-		P-UB-14	60 mm	115 mm	KOM-707-99-35590	114.54
B/H BOOM	707-00-0Y942	A43001-		P-UB-14	60 mm	120 mm	KOM-707-99-41270	158.27
B/H BUCKET	707-00-0Y902	A43001-		P-UB-14	55 mm	90 mm	KOM-707-99-26530	142.53
B/H OUTRIGGER LH	707-00-0Y830	A43001-		P-UB-14	50 mm	100 mm	KOM-707-99-32190	128.08
B/H OUTRIGGER RH	707-00-0Y840	A43001-		P-UB-14	50 mm	100 mm	KOM-707-99-32190	128.08
B/H SWING	707-02-07731	A43001-		P-UB-14	50 mm	100 mm	KOM-707-99-32070	183.11
B/H TELESCOPIC ARM	42N-6C-13301	A43001-		P-UB-10	40 mm	70 mm	KOM-42N-6C-13330	71.79
L/S BOOM	42N-6C-A1500	A43001-		P-UB-14	50 mm	90 mm	KOM-2938-6C-1290	127.01
L/S BUCKET LH	42N-6C-A1700	A43001-		P-UB-14	45 mm	70 mm	KOM-2938-6C-1480	104.80
L/S BUCKET MP	42N-6C-12800	A43001-		P-UB-14	40 mm	70 mm	KOM-42N-6C-13340	97.96
L/S BUCKET RH	42N-6C-A1800	A43001-		P-UB-14	45 mm	70 mm	KOM-2938-6C-1480	104.80
MODEL WB150-2								
B/H ARM	395002006	150F10001-		P-UB-14	60 mm	115 mm	KOM-878000491	150.01
B/H BOOM	395001008	150F10001-		P-UB-14	60 mm	125 mm	KOM-878000541	188.23
		150F10164						
B/H BUCKET	395001010	150F10165-		P-UB-14	60 mm	125 mm	KOM-878000541	188.23
		395003003	150F10001-	P-UB-14	60 mm	95 mm	KOM-878000492	130.48
B/H OUTRIGGER LH	395003005	150F10293-		P-UB-14	60 mm	95 mm	KOM-878000492	130.48
		395011005	150F10001-	P-UB-14	55 mm	110 mm	KOM-878000494	94.43
395011008	150F10124							
B/H OUTRIGGER RH	395011006	150F10125-		P-UB-14	55 mm	110 mm	KOM-878000494	94.43
		395011006	150F10001-	P-UB-14	55 mm	110 mm	KOM-878000494	94.43
395011007	150F10124							
B/H SWING LH	395005010	150F10125-		P-UB-14	55 mm	110 mm	KOM-878000494	94.43
		395005010	150F10001-	P-UB-14	50 mm	115 mm	KOM-878000542	110.36
395005018	150F10277							
B/H SWING RH	395005009	150F10278-		P-UB-14	50 mm	115 mm	KOM-878000542	110.36
		395005009	150F10001-	P-UB-14	50 mm	115 mm	KOM-878000542	110.36
395005017	150F10277							
B/H TELESCOPIC ARM	395009001	150F10278-		P-UB-14	50 mm	115 mm	KOM-878000542	110.36
		395009001	150F10001-	P-UB-10	40 mm	70 mm	KOM-878000388	88.92
395009006	150F10293-							
L/S BOOM	395012014	150F10293-		P-UB-10	40 mm	70 mm	KOM-878000388	88.92
L/S BUCKET	395012014	150F10001-		P-UB-14	50 mm	85 mm	KOM-878000486	109.88
L/S BUCKET LH	395013017	150F10001-		P-UB-14	50 mm	80 mm	KOM-878000487	99.12
L/S BUCKET LH	395013017	150F10293-		P-UB-14	50 mm	80 mm	KOM-878000487	99.12
L/S BUCKET MP	312230674	150F10001-		I-U-15	45 mm	80 mm	KOM-827020113	39.23
L/S BUCKET QC	200060282	150F10001-		I-SP-10	18 mm	30 mm	KOM-42N-879-1980	59.28
L/S BUCKET RH	395013019	150F10293-		P-UB-14	50 mm	80 mm	KOM-878000487	99.12
MODEL WB150-2N								
B/H ARM	2938-856-730	A60049-		P-UB-14	60 mm	110 mm	KOM-878000490	143.27
		395002005	A60029-A60048	P-UB-14	60 mm	110 mm	KOM-878000490	143.27
		395002006	A60001-A60028	P-UB-14	60 mm	115 mm	KOM-878000491	150.01
B/H BOOM	395001007	A60029-		P-UB-14	60 mm	120 mm	KOM-878000489	141.74
		395001010	A60001-A60028	P-UB-14	60 mm	125 mm	KOM-878000541	188.23
B/H BUCKET	395003005	A60001-		P-UB-14	60 mm	95 mm	KOM-878000492	130.48

LT - Large size tire L/S - Loading Shovel SLF - Super Long Front B/H - Backhoe HD - Heavy Duty L BUCKET - Large Bucket
 K-LINK - K-type Linkage Blade LB HI-LIFT - High Lift Arm w Large Bucket HI-LIFT - High Lift Arm S HI-LIFT - Super High Lift Arm
 SU - Semi-U Dozer PAT - Power Angle Power Tilt MP - Mult-Purpose

KOMATSU

Replacement Kits For

KOMATSU

Backhoe Loaders								
APPLICATION	CYL #	SERIAL #	Misc	CODE	ROD	BORE	KIT #	List \$
MODEL WB150-2N								
B/H OUTRIGGER	395011007	A60029-		P-UB-14	55 mm	110 mm	KOM-878000494	94.43
B/H OUTRIGGER LH	395011008	A60001-A60028		P-UB-14	55 mm	110 mm	KOM-878000494	94.43
B/H OUTRIGGER RH	395011007	A60001-A60028		P-UB-14	55 mm	110 mm	KOM-878000494	94.43
B/H SWING LH	395005018	A60001-A60028		P-UB-14	50 mm	115 mm	KOM-878000542	110.36
	395005022	A60029-		P-UB-14	50 mm	115 mm	KOM-878000542	110.36
B/H SWING RH	395005017	A60001-A60028		P-UB-14	50 mm	115 mm	KOM-878000542	110.36
	395005021	A60029-		P-UB-14	50 mm	115 mm	KOM-878000542	110.36
B/H TELESCOPIC ARM	395009005	A60029-		P-UB-10	40 mm	70 mm	KOM-878000388	88.92
	395009006	A60001-A60028		P-UB-10	40 mm	70 mm	KOM-878000388	88.92
L/S BOOM	2938-62-1290	A60049-		P-UB-14	50 mm	85 mm	KOM-878000486	109.88
	395012014	A60001-A60048		P-UB-14	50 mm	85 mm	KOM-878000486	109.88
L/S BUCKET LH	395013017	A60001-		P-UB-14	50 mm	80 mm	KOM-878000487	99.12
L/S BUCKET MP	312230674	A60001-		I-U-15	45 mm	80 mm	KOM-827020113	39.23
L/S BUCKET QC	200060282	A60001-A60028		I-SP-10	18 mm	30 mm	KOM-42N-879-1980	59.28
L/S BUCKET RH	395013019	A60001-A60048		P-UB-14	50 mm	80 mm	KOM-878000487	99.12
	395013022	A60049-		P-UB-14	50 mm	80 mm	KOM-878000487	99.12
MODEL WB150AWS-2								
B/H ARM	395002006	150F80001-		P-UB-14	60 mm	115 mm	KOM-878000491	150.01
B/H BOOM	395001010	150F80001-		P-UB-14	60 mm	125 mm	KOM-878000541	188.23
B/H BUCKET	395003005	150F80001-		P-UB-14	60 mm	95 mm	KOM-878000492	130.48
B/H OUTRIGGER LH	395011008	150F80001-		P-UB-14	55 mm	110 mm	KOM-878000494	94.43
B/H OUTRIGGER RH	395011007	150F80001-		P-UB-14	55 mm	110 mm	KOM-878000494	94.43
B/H SWING LH	395005018	150F80001-		P-UB-14	50 mm	115 mm	KOM-878000542	110.36
B/H SWING RH	395005017	150F80001-		P-UB-14	50 mm	115 mm	KOM-878000542	110.36
B/H TELESCOPIC ARM	395009006	150F80001-		P-UB-10	40 mm	70 mm	KOM-878000388	88.92
L/S BOOM	395012014	150F80001-		P-UB-14	50 mm	85 mm	KOM-878000486	109.88
L/S BUCKET LH	395013017	150F80001-		P-UB-14	50 mm	80 mm	KOM-878000487	99.12
L/S BUCKET MP	312230674	150F80001-		I-U-15	45 mm	80 mm	KOM-827020113	39.23
L/S BUCKET QC	200060282	150F80001-		I-SP-10	18 mm	30 mm	KOM-42N-879-1980	59.28
L/S BUCKET RH	395013019	150F80001-		P-UB-14	50 mm	80 mm	KOM-878000487	99.12
MODEL WB150AWS-2N								
B/H ARM	2938-856-730	A90002-		P-UB-14	60 mm	110 mm	KOM-878000490	143.27
	2938-856-740	A90002-		P-UB-14	60 mm	115 mm	KOM-878000491	150.01
	395002005	A90002-		P-UB-14	60 mm	110 mm	KOM-878000490	143.27
	395002006	A90001		P-UB-14	60 mm	115 mm	KOM-878000491	150.01
B/H ARM OFFSET	395006003	A90020-A90025		P-UB-14	60 mm	110 mm	KOM-878000490	143.27
B/H BOOM	395001007	A90002-		P-UB-14	60 mm	120 mm	KOM-878000489	141.74
	395001010	A90001		P-UB-14	60 mm	125 mm	KOM-878000541	188.23
B/H BOOM (Long Arm)	395001008	A90002-A90019		P-UB-14	60 mm	125 mm	KOM-878000541	188.23
B/H BOOM (Offset Arm)	395001009	A90020-A90025		P-UB-14	60 mm	120 mm	KOM-878000489	141.74
B/H BUCKET	395003005	A90001-		P-UB-14	60 mm	95 mm	KOM-878000492	130.48
B/H OFFSET ARM	200063140	A90020-A90025		I-SP-15	45 mm	85 mm	KOM-855660112	119.01
B/H OUTRIGGER	395011007	A90002-		P-UB-14	55 mm	110 mm	KOM-878000494	94.43
B/H OUTRIGGER LH	395011008	A90001-		P-UB-14	55 mm	110 mm	KOM-878000494	94.43
B/H OUTRIGGER RH	395011007	A90001-		P-UB-14	55 mm	110 mm	KOM-878000494	94.43
B/H SWING LH	395005018	A90001		P-UB-14	50 mm	115 mm	KOM-878000542	110.36
	395005022	A90002-		P-UB-14	50 mm	115 mm	KOM-878000542	110.36
B/H SWING RH	395005017	A90001		P-UB-14	50 mm	115 mm	KOM-878000542	110.36
	395005021	A90002-		P-UB-14	50 mm	115 mm	KOM-878000542	110.36
B/H TELESCOPIC ARM	395009005	A90002-		P-UB-10	40 mm	70 mm	KOM-878000388	88.92
	395009006	A90001-		P-UB-10	40 mm	70 mm	KOM-878000388	88.92
L/S BOOM	2938-62-1290	A90009-		P-UB-14	50 mm	85 mm	KOM-878000486	109.88
	395012014	A90001-, A90002-A90008		P-UB-14	50 mm	85 mm	KOM-878000486	109.88
L/S BUCKET LH	395013017	A90001-		P-UB-14	50 mm	80 mm	KOM-878000487	99.12

LT - Large size tire L/S - Loading Shovel SLF - Super Long Front B/H - Backhoe HD - Heavy Duty L BUCKET - Large Bucket
 K-LINK - K-type Linkage Blade LB HI-LIFT - High Lift Arm w Large Bucket HI-LIFT - High Lift Arm S HI-LIFT - Super High Lift Arm
 SU - Semi-U Dozer PAT - Power Angle Power Tilt MP - Multit-Purpose

FORMERLY LISTED REPAIR PARTS ARE AVAILABLE ONLINE AT WWW.HERCULESCA.CA
 OR BY CONTACTING YOUR REGIONAL HERCULES SALES TEAM.

Replacement Kits For

KOMATSU

Backhoe Loaders

APPLICATION	CYL #	SERIAL #	Misc	CODE	ROD	BORE	KIT #	List \$
MODEL WB150AWS-2N								
L/S BUCKET MP	312230674	A90001-		I-U-15	45 mm	80 mm	KOM-827020113	39.23
L/S BUCKET RH	395013019	A90001-A90008		P-UB-14	50 mm	80 mm	KOM-878000487	99.12
	395013022	A90009-		P-UB-14	50 mm	80 mm	KOM-878000487	99.12
MODEL WB150PS-2								
B/H ARM	395002006	150F50001-		P-UB-14	60 mm	115 mm	KOM-878000491	150.01
B/H BOOM	395001008	150F50001- 150F50019		P-UB-14	60 mm	125 mm	KOM-878000541	188.23
	395001010	150F50020-		P-UB-14	60 mm	125 mm	KOM-878000541	188.23
B/H BUCKET	395003003	150F50001-		P-UB-14	60 mm	95 mm	KOM-878000492	130.48
	395003005	150F50020-		P-UB-14	60 mm	95 mm	KOM-878000492	130.48
B/H OUTRIGGER LH	395011008	150F50001-		P-UB-14	55 mm	110 mm	KOM-878000494	94.43
B/H OUTRIGGER RH	395011007	150F50001-		P-UB-14	55 mm	110 mm	KOM-878000494	94.43
B/H SWING LH	395005010	150F50001- 150F50019		P-UB-14	50 mm	115 mm	KOM-878000542	110.36
	395005018	150F50020-		P-UB-14	50 mm	115 mm	KOM-878000542	110.36
B/H SWING RH	395005009	150F50001- 150F50019		P-UB-14	50 mm	115 mm	KOM-878000542	110.36
	395005017	150F50020-		P-UB-14	50 mm	115 mm	KOM-878000542	110.36
B/H TELESCOPIC ARM	395009001	150F50001-		P-UB-10	40 mm	70 mm	KOM-878000388	88.92
	395009006	150F50020-		P-UB-10	40 mm	70 mm	KOM-878000388	88.92
L/S BOOM	395012014	150F50001-		P-UB-14	50 mm	85 mm	KOM-878000486	109.88
L/S BUCKET	395013017	150F50001- 150F50019		P-UB-14	50 mm	80 mm	KOM-878000487	99.12
L/S BUCKET LH	395013017	150F50020-		P-UB-14	50 mm	80 mm	KOM-878000487	99.12
L/S BUCKET MP	312230674	150F50001-		I-U-15	45 mm	80 mm	KOM-827020113	39.23
L/S BUCKET QC	200060282	150F50001-		I-SP-10	18 mm	30 mm	KOM-42N-879-1980	59.28
L/S BUCKET RH	395013019	150F50020-		P-UB-14	50 mm	80 mm	KOM-878000487	99.12
MODEL WB150PS-2N								
B/H ARM	2938-856-730	A70014-		P-UB-14	60 mm	110 mm	KOM-878000490	143.27
	2938-856-740	A70014-		P-UB-14	60 mm	115 mm	KOM-878000491	150.01
	395002005	A70010-A70013		P-UB-14	60 mm	110 mm	KOM-878000490	143.27
	395002006	A70001-A70009		P-UB-14	60 mm	115 mm	KOM-878000491	150.01
B/H BOOM	395001007	A70010-		P-UB-14	60 mm	120 mm	KOM-878000489	141.74
	395001010	A70001-A70009		P-UB-14	60 mm	125 mm	KOM-878000541	188.23
B/H BOOM (Long Arm)	395001008	A70010-		P-UB-14	60 mm	125 mm	KOM-878000541	188.23
B/H BUCKET	395003005	A70001-		P-UB-14	60 mm	95 mm	KOM-878000492	130.48
B/H OUTRIGGER	395011007	A70010-		P-UB-14	55 mm	110 mm	KOM-878000494	94.43
	395011008	A70001-A70009		P-UB-14	55 mm	110 mm	KOM-878000494	94.43
B/H SWING LH	395005018	A70001-A70009		P-UB-14	50 mm	115 mm	KOM-878000542	110.36
	395005022	A70010-		P-UB-14	50 mm	115 mm	KOM-878000542	110.36
B/H SWING RH	395005017	A70001-A70009		P-UB-14	50 mm	115 mm	KOM-878000542	110.36
	395005021	A70010-		P-UB-14	50 mm	115 mm	KOM-878000542	110.36
B/H TELESCOPIC ARM	395009005	A70010-		P-UB-10	40 mm	70 mm	KOM-878000388	88.92
	395009006	A70001-A70009		P-UB-10	40 mm	70 mm	KOM-878000388	88.92
L/S BOOM	2938-62-1290	A70014-		P-UB-14	50 mm	85 mm	KOM-878000486	109.88
	395012014	A70001-A70013		P-UB-14	50 mm	85 mm	KOM-878000486	109.88
L/S BUCKET LH	395013017	A70001-		P-UB-14	50 mm	80 mm	KOM-878000487	99.12
L/S BUCKET MP	312230674	A70001-		I-U-15	45 mm	80 mm	KOM-827020113	39.23
L/S BUCKET QC	200060282	A70001-A70009		I-SP-10	18 mm	30 mm	KOM-42N-879-1980	59.28
L/S BUCKET RH	395013019	A70001-A70013		P-UB-14	50 mm	80 mm	KOM-878000487	99.12
	395013022	A70014-		P-UB-14	50 mm	80 mm	KOM-878000487	99.12
Crawler Dozers								
APPLICATION	CYL #	SERIAL #	Misc	CODE	ROD	BORE	KIT #	List \$
MODEL D20A-7, D21A-7								
3-POINT HITCH LH	101-63-02130	75001-		P-U-14	35 mm	70 mm	KOM-101-63-02130K	58.75
	101-63-02130	75001-		Bushing	35 mm		KOM-07177-03525	9.90

LT - Large size tire L/S - Loading Shovel SLF - Super Long Front B/H - Backhoe HD - Heavy Duty L BUCKET - Large Bucket
 K-LINK - K-type Linkage Blade LB HI-LIFT - High Lift Arm w Large Bucket HI-LIFT - High Lift Arm S HI-LIFT - Super High Lift Arm
 SU - Semi-U Dozer PAT - Power Angle Power Tilt MP - Mult-Purpose

KOMATSU

Replacement Kits For

Crawler Dozers								
APPLICATION	CYL #	SERIAL #	Misc	CODE	ROD	BORE	KIT #	List \$
MODEL D20A-7, D21A-7								
3-POINT HITCH LH	101-63-02130	78604-		P-U-14	35 mm	70 mm	KOM-101-63-02130K	58.75
	101-63-02130	78604-		Bushing	35 mm		KOM-07177-03525	9.90
3-POINT HITCH RH	101-63-02140	75001-		P-U-14	35 mm	70 mm	KOM-101-63-02140K	58.75
	101-63-02140	75001-		Bushing	35 mm		KOM-07177-03525	9.90
	101-63-02140	78604-		P-U-14	35 mm	70 mm	KOM-101-63-02140K	58.75
	101-63-02140	78604-		Bushing	35 mm		KOM-07177-03525	9.90
ANGLE (PAT)	101-63-02030	75001-78603		P-U-14	35 mm	70 mm	KOM-101-63-02030K	50.24
	101-63-02030	75001-78603		Bushing	35 mm		KOM-07177-03525	9.90
	101-63-02031	78604-		P-U-14	35 mm	70 mm	KOM-707-98-13420	48.96
	101-63-02031	78604-		Bushing	35 mm		KOM-07177-03525	9.90
BLADE LIFT LH	10G-63-02010	78604-		P-U-10	35 mm	50 mm	KOM-10G-63-02010K	96.33
	10G-63-02010	78604-		Bushing	35 mm		KOM-07177-03525	9.90
BLADE LIFT LH (PAT)	101-63-02011	78604-		P-U-14	35 mm	70 mm	KOM-707-98-13420	48.96
	101-63-02011	78604-		Bushing	35 mm		KOM-07177-03525	9.90
BLADE LIFT RH	10G-63-02020	78604-		P-U-10	35 mm	50 mm	KOM-10G-63-02020K	96.33
	10G-63-02020	78604-		Bushing	35 mm		KOM-07177-03525	9.90
BLADE LIFT RH (PAT)	101-63-02021	78604-		P-U-14	35 mm	70 mm	KOM-707-98-13420	48.96
	101-63-02021	78604-		Bushing	35 mm		KOM-07177-03525	9.90
GUIDE PLATE (PAT)	21S-63-02050	78604-	D20A-7	P-U-10	25 mm	50 mm	KOM-21S-63-02050K	101.08
	21S-63-02050	78604-		Bushing	25 mm		KOM-07177-02525	6.57
LIFT (PAT)	101-63-02010	75001-78603		P-U-14	35 mm	70 mm	KOM-101-63-02010K	50.24
	101-63-02010	75001-78603		Bushing	35 mm		KOM-07177-03525	9.90
LIFT LH	10G-63-02010	75001-		P-U-10	35 mm	50 mm	KOM-10G-63-02010K	96.33
	10G-63-02010	75001-		Bushing	35 mm		KOM-07177-03525	9.90
LIFT LH (PAT)	101-63-02011	78604-		P-U-14	35 mm	70 mm	KOM-707-98-13420	48.96
	101-63-02011	78604-		Bushing	35 mm		KOM-07177-03525	9.90
LIFT RH	10G-63-02020	75001-		P-U-10	35 mm	50 mm	KOM-10G-63-02020K	96.33
	10G-63-02020	75001-		Bushing	35 mm		KOM-07177-03525	9.90
LIFT RH (PAT)	101-63-02021	78604-		P-U-14	35 mm	70 mm	KOM-707-98-13420	48.96
	101-63-02021	78604-		Bushing	35 mm		KOM-07177-03525	9.90
TILT (PAT)	101-63-02040	75001-78603		P-U-10	40 mm	80 mm	KOM-101-63-02040K	56.11
	101-63-02040	75001-78603		Bushing	40 mm		KOM-07177-04025	11.24
	101-63-02041	78604-		P-U-10	40 mm	80 mm	KOM-707-98-23070	65.43
	101-63-02041	78604-		Bushing	40 mm		KOM-07177-04025	11.24
MODEL D20P-7A, D21P-7A								
3-POINT HITCH LH	101-63-02130	75001-		P-U-14	35 mm	70 mm	KOM-101-63-02130K	58.75
	101-63-02130	75001-		Bushing	35 mm		KOM-07177-03525	9.90
	101-63-02130	78604-		P-U-14	35 mm	70 mm	KOM-101-63-02130K	58.75
	101-63-02130	78604-		Bushing	35 mm		KOM-07177-03525	9.90
3-POINT HITCH RH	101-63-02140	75001-		P-U-14	35 mm	70 mm	KOM-101-63-02140K	58.75
	101-63-02140	75001-		Bushing	35 mm		KOM-07177-03525	9.90
	101-63-02140	78604-		P-U-14	35 mm	70 mm	KOM-101-63-02140K	58.75
	101-63-02140	78604-		Bushing	35 mm		KOM-07177-03525	9.90
ANGLE	101-63-02030	75001-78603		P-U-14	35 mm	70 mm	KOM-101-63-02030K	50.24
	101-63-02030	75001-78603		Bushing	35 mm		KOM-07177-03525	9.90
	101-63-02031	78604-		P-U-14	35 mm	70 mm	KOM-707-98-13420	48.96
	101-63-02031	78604-		Bushing	35 mm		KOM-07177-03525	9.90
BLADE LIFT LH	101-63-02011	78604-		P-U-14	35 mm	70 mm	KOM-707-98-13420	48.96
	101-63-02011	78604-		Bushing	35 mm		KOM-07177-03525	9.90
BLADE LIFT RH	101-63-02021	78604-		P-U-14	35 mm	70 mm	KOM-707-98-13420	48.96
	101-63-02021	78604-		Bushing	35 mm		KOM-07177-03525	9.90
LIFT	101-63-02010	75001-78603		P-U-14	35 mm	70 mm	KOM-101-63-02010K	50.24
	101-63-02010	75001-78603		Bushing	35 mm		KOM-07177-03525	9.90
LIFT LH	101-63-02011	78604-		P-U-14	35 mm	70 mm	KOM-707-98-13420	48.96
	101-63-02011	78604-		Bushing	35 mm		KOM-07177-03525	9.90

LT - Large size tire L/S - Loading Shovel SLF - Super Long Front B/H - Backhoe HD - Heavy Duty L BUCKET - Large Bucket
 K-LINK - K-type Linkage Blade LB HI-LIFT - High Lift Arm w Large Bucket HI-LIFT - High Lift Arm S HI-LIFT - Super High Lift Arm
 SU - Semi-U Dozer PAT - Power Angle Power Tilt MP - Mulit-Purpose

FORMERLY LISTED REPAIR PARTS ARE AVAILABLE ONLINE AT WWW.HERCULESCA.CA
 OR BY CONTACTING YOUR REGIONAL HERCULES SALES TEAM.

KOMATSU

KOMATSU

Replacement Kits For

Crawler Dozers								
APPLICATION	CYL #	SERIAL #	Misc	CODE	ROD	BORE	KIT #	List \$
MODEL D20P-7A, D21P-7A								
LIFT RH	101-63-02021	78604-		P-U-14	35 mm	70 mm	KOM-707-98-13420	48.96
	101-63-02021	78604-		Bushing	35 mm		KOM-07177-03525	9.90
TILT	101-63-02040	75001-78603		P-U-10	40 mm	80 mm	KOM-101-63-02040K	56.11
	101-63-02040	75001-78603		Bushing	40 mm		KOM-07177-04025	11.24
	101-63-02041	78604-		P-U-10	40 mm	80 mm	KOM-707-98-23070	65.43
	101-63-02041	78604-		Bushing	40 mm		KOM-07177-04025	11.24
MODEL D20PLL-6								
3-POINT HITCH	101-63-02130	60001-		P-U-10	35 mm	70 mm	KOM-707-98-12450	144.15
	101-63-02140	60001-		P-U-10	35 mm	70 mm	KOM-707-98-12450	144.15
LIFT	10G-63-02030	60001-60204		P-U-10	35 mm	50 mm	KOM-707-98-05420	110.09
	10G-63-02040	60001-60204		P-U-10	35 mm	50 mm	KOM-707-98-05420	110.09
	10G-63-02111	60205-		P-U-10	35 mm	50 mm	KOM-707-98-05420	110.09
	10G-63-02121	60205-		P-U-10	35 mm	50 mm	KOM-707-98-05420	110.09
TILT	101-63-02050	60001-		P-U-10	40 mm	80 mm	KOM-707-98-23030	101.22
MODEL D21A-8, D21P-8								
3-POINT HITCH LH	707-00-0E980	83001-		P-U-14	35 mm	70 mm	KOM-707-98-12760	58.52
	707-00-0E980	83001-		Bushing	35 mm		KOM-07177-03525	9.90
3-POINT HITCH RH	707-00-0E990	83001-		P-U-14	35 mm	70 mm	KOM-707-98-12760	58.52
	707-00-0E990	83001-		Bushing	35 mm		KOM-07177-03525	9.90
BLADE ANGLE	707-00-0E920	83001-		P-U-14	35 mm	70 mm	KOM-707-98-12750	50.23
	707-00-0E920	83001-		Bushing	35 mm		KOM-07177-03525	9.90
BLADE LIFT LH	707-00-0E870	83001-		P-U-14	35 mm	70 mm	KOM-707-98-12740	59.88
	707-00-0E870	83001-		Bushing	35 mm		KOM-07177-03525	9.90
	707-00-0E930	83001-	D21A-8	P-U-10	35 mm	50 mm	KOM-707-98-05460	95.11
	707-00-0E930	83001-		Bushing	35 mm		KOM-07177-03525	9.90
BLADE LIFT RH	707-00-0E880	83001-		P-U-14	35 mm	70 mm	KOM-707-98-12740	59.88
	707-00-0E880	83001-		Bushing	35 mm		KOM-07177-03525	9.90
	707-00-0E940	83001-	D21A-8	P-U-10	35 mm	50 mm	KOM-707-98-05460	95.11
	707-00-0E940	83001-		Bushing	35 mm		KOM-07177-03525	9.90
BLADE TILT	707-00-0E910	83001-		P-U-10	40 mm	80 mm	KOM-707-98-22290	65.43
	707-00-0E910	83001-		Bushing	40 mm		KOM-07177-04025	11.24
MODEL D21PL-5								
LIFT	10G-63-13100	45013-50606		P-U-5	35 mm	70 mm	KOM-707-99-13410	174.03
	10G-63-13101	50607-		P-U-5	35 mm	70 mm	KOM-707-99-13410	174.03
	10G-63-13200	45013-50606		P-U-5	35 mm	70 mm	KOM-707-99-13410	174.03
	10G-63-13201	50607-		P-U-5	35 mm	70 mm	KOM-707-99-13410	174.03
TILT	101-63-52100	45013-50606		P-U-5	40 mm	80 mm	KOM-707-99-22010	156.11
	101-63-52101	50607-		P-U-5	40 mm	80 mm	KOM-707-99-22010	156.11
MODEL D31E-20								
ANGLE	114-63-02031	42001-		P-U-10	40 mm	90 mm	KOM-707-98-22410	145.12
	114-63-02031	42001-		Bushing	40 mm		KOM-07177-04025	11.24
LIFT	11G-63-02011	42001-		P-U-14	45 mm	70 mm	KOM-707-98-15610	119.71
	11G-63-02011	42001-		Bushing	45 mm		KOM-07177-04530	15.43
	11G-63-02021	42001-		P-U-14	45 mm	70 mm	KOM-707-98-15610	119.71
	11G-63-02021	42001-		Bushing	45 mm		KOM-07177-04530	15.43
TILT	114-63-02041	42001-		P-U-10	40 mm	90 mm	KOM-707-98-22410	145.12
	114-63-02041	42001-		Bushing	40 mm		KOM-07177-04025	11.24
MODEL D31EX-21, D31PX-21								
ANGLE	707-00-0A031	50001-		P-U-14	40 mm	75 mm	KOM-707-98-22850	59.25
	707-00-0A031	50001-		Bushing	40 mm		KOM-707-52-10410	13.16
LIFT LH	707-00-0A011	50001-		P-U-14	40 mm	85 mm	KOM-707-98-22910	103.17
	707-00-0A011	50001-		Bushing	40 mm		KOM-07177-04025	11.24
LIFT RH	707-00-0A021	50001-		P-U-14	40 mm	85 mm	KOM-707-98-22910	103.17
	707-00-0A021	50001-		Bushing	40 mm		KOM-07177-04025	11.24
RIPPER	707-00-0C050	50001-	D31EX-21	P-U-14	45 mm	90 mm	KOM-707-98-24720	57.90

LT - Large size tire L/S - Loading Shovel SLF - Super Long Front B/H - Backhoe HD - Heavy Duty L BUCKET - Large Bucket
 K-LINK - K-type Linkage Blade LB HI-LIFT - High Lift Arm w Large Bucket HI-LIFT - High Lift Arm S HI-LIFT - Super High Lift Arm
 SU - Semi-U Dozer PAT - Power Angle Power Tilt MP - Mult-Purpose

KOMATSU

Replacement Kits For

Crawler Dozers								
APPLICATION	CYL #	SERIAL #	Misc	CODE	ROD	BORE	KIT #	List \$
MODEL D31EX-21, D31PX-21								
RIPPER	707-00-0C050	50001-		Bushing	45 mm		KOM-07177-04530	15.43
TILT	707-00-0A041	50001-		P-U-14	45 mm	90 mm	KOM-707-98-24710	55.65
	707-00-0A041	50001-		Bushing	45 mm		KOM-07177-04530	15.43
MODEL D31EX-21A, D31PX-21A								
ANGLE	707-00-0A032	50501-50683	D31EX-21A	P-UB-14	40 mm	75 mm	KOM-707-99-14930	138.05
	707-00-0A032	50501-50683		Bushing	40 mm		KOM-707-52-90150	11.24
	707-00-0A032	50501-50897	D31PX-21A	P-UB-14	40 mm	75 mm	KOM-707-99-14930	138.05
	707-00-0A032	50501-50897		Bushing	40 mm		KOM-707-52-90150	11.24
	707-00-0A033	50684-	D31EX-21A	P-UB-14	40 mm	75 mm	KOM-707-99-14930	138.05
	707-00-0A033	50684-		Bushing	40 mm		KOM-707-52-90150	11.24
	707-00-0A033	50898-	D31PX-21A	P-UB-14	40 mm	75 mm	KOM-707-99-14930	138.05
	707-00-0A033	50898-		Bushing	40 mm		KOM-707-52-90150	11.24
LIFT LH	707-00-0A012	50501-		P-UB-14	40 mm	85 mm	KOM-707-99-23910	181.99
	707-00-0A012	50501-		Bushing	40 mm		KOM-707-52-90150	11.24
LIFT RH	707-00-0A022	50501-		P-UB-14	40 mm	85 mm	KOM-707-99-23910	181.99
	707-00-0A022	50501-		Bushing	40 mm		KOM-707-52-90150	11.24
RIPPER	707-00-0C051	50501-	D31EX-21A	P-UB-14	45 mm	90 mm	KOM-707-99-24660	168.04
	707-00-0C051	50501-		Bushing	45 mm		KOM-707-52-90220	11.24
TILT	707-00-0A042	50501-		P-UB-14	45 mm	90 mm	KOM-707-99-24670	165.77
	707-00-0A042	50501-		Bushing	45 mm		KOM-707-52-90220	11.24
MODEL D31EX-22								
BLADE ANGLE	707-00-0H610	60001-		P-UB-14	40 mm	80 mm	KOM-707-99-23040	156.95
	707-00-0H610	60001-		Bushing	40 mm		KOM-707-52-90150	11.24
BLADE LIFT	707-00-0H860	60001-		P-UB-14	40 mm	75 mm	KOM-707-99-14960	191.11
	707-00-0H860	60001-		Bushing	40 mm		KOM-707-52-90150	11.24
BLADE TILT	707-00-0H600	60001-		P-UB-14	45 mm	90 mm	KOM-707-99-24650	165.69
	707-00-0H600	60001-		Bushing	45 mm		KOM-707-52-90220	11.24
RIPPER	707-00-0H920	60001-		P-U-14	55 mm	105 mm	KOM-707-99-34240	170.29
	707-00-0H920	60001-		Bushing	55 mm		KOM-707-52-90300	22.29
MODEL D31P-20								
ANGLE	114-63-02031	45001-		P-U-10	40 mm	90 mm	KOM-707-98-22410	145.12
LIFT	114-63-02011	45001-		P-U-10	40 mm	90 mm	KOM-707-98-22410	145.12
TILT	114-63-02041	45001-		P-U-10	40 mm	90 mm	KOM-707-98-22410	145.12
MODEL D31PX-22								
BLADE ANGLE	707-00-0H610	60001-		P-UB-14	40 mm	80 mm	KOM-707-99-23040	156.95
	707-00-0H610	60001-		Bushing	40 mm		KOM-707-52-90150	11.24
BLADE LIFT	707-00-0H860	60001-		P-UB-14	40 mm	75 mm	KOM-707-99-14960	191.11
	707-00-0H860	60001-		Bushing	40 mm		KOM-707-52-90150	11.24
	707-E0-00190	60001-		P-UB-14	40 mm	75 mm	KOM-707-99-14970	153.26
	707-E0-00190	60001-		Bushing	40 mm		KOM-707-52-90151	11.24
BLADE TILT	707-00-0H600	60001-		P-UB-14	45 mm	90 mm	KOM-707-99-24650	165.69
	707-00-0H600	60001-		Bushing	45 mm		KOM-707-52-90220	11.24
REAR GUARD	707-E0-00200	60001-		P-U-14	30 mm	50 mm	KOM-707-98-04590	108.38
	707-E0-00200	60001-		Bushing	30 mm		KOM-707-52-15050	8.93
TRACK ADJUSTER		60001-	kit w/ valve	TRK ADJ			KOM-SK100118	264.62
		60001-		TRK ADJ			KOM-SK100134	153.41
TRIMMING	707-E0-00180	60001-		P-UB-14	40 mm	75 mm	KOM-707-99-14980	175.29
	707-E0-00180	60001-		Bushing	40 mm		KOM-707-52-90151	11.24
MODEL D31Q-20								
LIFT	113-63-02011	42001-		P-U-14	50 mm	100 mm	KOM-707-98-32050	194.76
	113-63-02021	42001-		P-U-14	50 mm	100 mm	KOM-707-98-32050	194.76
MODEL D37E-5, D37P-5								
ANGLE	114-63-02031	3001-		P-U-10	40 mm	90 mm	KOM-707-98-22410	145.12
	114-63-02031	3001-		Bushing	40 mm		KOM-07177-04025	11.24
LIFT	114-63-02011	3001-		P-U-10	40 mm	90 mm	KOM-707-98-22410	145.12

LT - Large size tire L/S - Loading Shovel SLF - Super Long Front B/H - Backhoe HD - Heavy Duty L BUCKET - Large Bucket
 K-LINK - K-type Linkage Blade LB HI-LIFT - High Lift Arm w Large Bucket HI-LIFT - High Lift Arm S HI-LIFT - Super High Lift Arm
 SU - Semi-U Dozer PAT - Power Angle Power Tilt MP - Mulit-Purpose

FORMERLY LISTED REPAIR PARTS ARE AVAILABLE ONLINE AT WWW.HERCULESCA.CA
 OR BY CONTACTING YOUR REGIONAL HERCULES SALES TEAM.

KOMATSU

Replacement Kits For

KOMATSU

Crawler Dozers								
APPLICATION	CYL #	SERIAL #	Misc	CODE	ROD	BORE	KIT #	List \$
MODEL D37E-5, D37P-5								
LIFT	114-63-02011	3001-		Bushing	40 mm		KOM-07177-04025	11.24
TILT	114-63-02011	3001-		P-U-10	40 mm	90 mm	KOM-707-98-22410	145.12
	114-63-02011	3001-		Bushing	40 mm		KOM-07177-04025	11.24
MODEL D37EX-21, D37PX-21								
ANGLE	707-00-0A031	5001-		P-U-14	40 mm	75 mm	KOM-707-98-22850	59.25
	707-00-0A031	5001-		Bushing	40 mm		KOM-707-52-10410	13.16
LIFT LH	707-00-0A011	5001-		P-U-14	40 mm	85 mm	KOM-707-98-22910	103.17
	707-00-0A011	5001-		Bushing	40 mm		KOM-07177-04025	11.24
LIFT RH	707-00-0A021	5001-		P-U-14	40 mm	85 mm	KOM-707-98-22910	103.17
	707-00-0A021	5001-		Bushing	40 mm		KOM-07177-04025	11.24
RIPPER	707-00-0C050	5001-	D37EX-21	P-U-14	45 mm	90 mm	KOM-707-98-24720	57.90
	707-00-0C050	5001-		Bushing	45 mm		KOM-07177-04530	15.43
TILT	707-00-0A041	5001-		P-U-14	45 mm	90 mm	KOM-707-98-24710	55.65
	707-00-0A041	5001-		Bushing	45 mm		KOM-07177-04530	15.43
MODEL D37EX-21A, D37PX-21A								
ANGLE	707-00-0A032	5501-5681	D37PX-21A	P-UB-14	40 mm	75 mm	KOM-707-99-14930	138.05
	707-00-0A032	5501-5736	D37EX-21A	P-UB-14	40 mm	75 mm	KOM-707-99-14930	138.05
	707-00-0A033	5682-	D37PX-21A	P-UB-14	40 mm	75 mm	KOM-707-99-14930	138.05
	707-00-0A033	5737-	D37EX-21A	P-UB-14	40 mm	75 mm	KOM-707-99-14930	138.05
LIFT LH	707-00-0A012	5501-		P-UB-14	40 mm	85 mm	KOM-707-99-23910	181.99
LIFT RH	707-00-0A022	5501-		P-UB-14	40 mm	85 mm	KOM-707-99-23910	181.99
RIPPER	707-00-0C051	5501-	D37EX-21A	P-UB-14	45 mm	90 mm	KOM-707-99-24660	168.04
TILT	707-00-0A042	5501-		P-UB-14	45 mm	90 mm	KOM-707-99-24670	165.77
MODEL D37EX-22								
BLADE ANGLE	707-00-0H610	60001-		P-UB-14	40 mm	80 mm	KOM-707-99-23040	156.95
	707-00-0H610	60001-		Bushing	40 mm		KOM-707-52-90150	11.24
BLADE LIFT	707-00-0H860	60001-		P-UB-14	40 mm	75 mm	KOM-707-99-14960	191.11
	707-00-0H860	60001-		Bushing	40 mm		KOM-707-52-90150	11.24
BLADE TILT	707-00-0H600	60001-		P-UB-14	45 mm	90 mm	KOM-707-99-24650	165.69
	707-00-0H600	60001-		Bushing	45 mm		KOM-707-52-90220	11.24
RIPPER	707-00-0H920	60001-		P-U-14	55 mm	105 mm	KOM-707-99-34240	170.29
	707-00-0H920	60001-		Bushing	55 mm		KOM-707-52-90300	22.29
MODEL D37EX-23								
TRACK ADJUSTER		80001-	kit w/ valve	TRK ADJ			KOM-SK100118	264.62
		80001-		TRK ADJ			KOM-SK100134	153.41
MODEL D37PX-22								
BLADE ANGLE	707-00-0H610	60001-		P-UB-14	40 mm	80 mm	KOM-707-99-23040	156.95
	707-00-0H610	60001-		Bushing	40 mm		KOM-707-52-90150	11.24
BLADE LIFT	707-00-0H860	60001-		P-UB-14	40 mm	75 mm	KOM-707-99-14960	191.11
	707-00-0H860	60001-		Bushing	40 mm		KOM-707-52-90150	11.24
BLADE TILT	707-00-0H600	60001-		P-UB-14	45 mm	90 mm	KOM-707-99-24650	165.69
	707-00-0H600	60001-		Bushing	45 mm		KOM-707-52-90220	11.24
MODEL D39EX-21, D39PX-21								
ANGLE	707-00-0A300	1001-		P-U-14	45 mm	85 mm	KOM-707-98-24910	93.46
	707-00-0A300	1001-		Bushing	45 mm		KOM-07177-04530	15.43
LIFT LH	707-00-0A280	1001-		P-U-14	45 mm	90 mm	KOM-707-98-24700	68.45
	707-00-0A280	1001-		Bushing	45 mm		KOM-07177-04530	15.43
LIFT RH	707-00-0A290	1001-		P-U-14	45 mm	90 mm	KOM-707-98-24700	68.45
	707-00-0A290	1001-		Bushing	45 mm		KOM-07177-04530	15.43
RIPPER	707-00-0C050	1001-	D39EX-21	P-U-14	45 mm	90 mm	KOM-707-98-24720	57.90
	707-00-0C050	1001-		Bushing	45 mm		KOM-07177-04530	15.43
TILT	707-00-0A310	1001-		P-U-14	45 mm	90 mm	KOM-707-98-24710	55.65
	707-00-0A310	1001-		Bushing	45 mm		KOM-07177-04530	15.43
MODEL D39EX-21A, D39PX-21A								
ANGLE	707-00-0A301	1501-1806	D39EX-21A	P-UB-14	45 mm	85 mm	KOM-707-99-24930	203.69
	707-00-0A301	1501-1870	D39PX-21A	P-UB-14	45 mm	85 mm	KOM-707-99-24930	203.69

LT - Large size tire L/S - Loading Shovel SLF - Super Long Front B/H - Backhoe HD - Heavy Duty L BUCKET - Large Bucket
 K-LINK - K-type Linkage Blade LB HI-LIFT - High Lift Arm w Large Bucket HI-LIFT - High Lift Arm S HI-LIFT - Super High Lift Arm
 SU - Semi-U Dozer PAT - Power Angle Power Tilt MP - Multit-Purpose

KOMATSU

Replacement Kits For

Crawler Dozers								
APPLICATION	CYL #	SERIAL #	Misc	CODE	ROD	BORE	KIT #	List \$
MODEL D39EX-21A, D39PX-21A								
ANGLE	707-00-0A302	1807-	D39EX-21A	P-UB-14	45 mm	85 mm	KOM-707-99-24930	203.69
	707-00-0A302	1871-	D39PX-21A	P-UB-14	45 mm	85 mm	KOM-707-99-24930	203.69
LIFT LH	707-00-0E680	1501-		P-UB-14	45 mm	90 mm	KOM-707-99-24640	178.69
LIFT RH	707-00-0E690	1501-		P-UB-14	45 mm	90 mm	KOM-707-99-24640	178.69
RIPPER	707-00-0C051	1501-		P-UB-14	45 mm	90 mm	KOM-707-99-24660	168.04
TILT	707-00-0A311	1501-		P-UB-14	45 mm	90 mm	KOM-707-99-24650	165.69
MODEL D39EX-22								
BLADE ANGLE	707-00-0H610	3001-		P-UB-14	40 mm	80 mm	KOM-707-99-23040	156.95
	707-00-0H610	3001-		Bushing	40 mm		KOM-707-52-90150	11.24
BLADE LIFT	707-00-0H620	3001-		P-UB-14	40 mm	75 mm	KOM-707-99-14960	191.11
	707-00-0H620	3001-		Bushing	40 mm		KOM-707-52-90150	11.24
BLADE TILT	707-00-0H600	3001-		P-UB-14	45 mm	90 mm	KOM-707-99-24650	165.69
	707-00-0H600	3001-		Bushing	45 mm		KOM-707-52-90220	11.24
RIPPER	707-00-0H920	3001-		P-U-14	55 mm	105 mm	KOM-707-99-34240	170.29
	707-00-0H920	3001-		Bushing	55 mm		KOM-707-52-90300	22.29
MODEL D39EX-23								
ANGLE	707-E0-00700	90001-		P-UB-14	40 mm	80 mm	KOM-707-99-22300	155.56
LIFT LH	707-E0-00710	90001-		P-UB-14	40 mm	75 mm	KOM-707-99-14990	125.52
LIFT RH	707-E0-00720	90001-		P-UB-14	40 mm	75 mm	KOM-707-99-14990	125.52
RIPPER	707-E0-00680	90001-		P-UB-14	55 mm	105 mm	KOM-707-99-34260	197.51
TILT	707-E0-00690	90001-		P-UB-14	45 mm	90 mm	KOM-707-99-24720	110.21
MODEL D39EX-24								
ANGLE	707-E0-00700	95001-95548		P-UB-14	40 mm	80 mm	KOM-707-99-22310	229.90
	707-E0-00700	95001-95548		Bushing	40 mm		KOM-707-52-90151	11.24
	707-E0-00701	95549-		P-UB-14	40 mm	80 mm	KOM-707-99-22310	229.90
	707-E0-00701	95549-		Bushing	40 mm		KOM-707-52-90151	11.24
LIFT LH	707-G0-01240	95001-		P-UB-14	40 mm	75 mm	KOM-707-99-15770	154.57
	707-G0-01240	95001-		Bushing	40 mm		KOM-707-52-90151	11.24
LIFT RH	707-G0-01900	95001-		P-UB-14	40 mm	75 mm	KOM-707-99-14990	125.52
	707-G0-01900	95001-		Bushing	40 mm		KOM-707-52-90151	11.24
RIPPER LIFT	707-E0-00680	95001-		P-UB-14	55 mm	105 mm	KOM-707-99-34260	197.51
	707-E0-00680	95001-		Bushing	55 mm		KOM-707-52-90301	22.29
TILT	707-E0-00690	95001-		P-UB-14	45 mm	90 mm	KOM-707-99-24720	110.21
	707-E0-00690	95001-		Bushing	45 mm		KOM-707-52-90221	11.24
TRACK ADJUSTER		95001-		TRK ADJ			KOM-SK100136	190.10
		95001-	w/ valve	TRK ADJ			KOM-SK100120	331.81
MODEL D39EXi-23								
ANGLE LH	707-G7-00080	90404-91095		P-UB-14	40 mm	80 mm	KOM-707-99-22310	229.90
	707-G7-00080	90404-91095		Bushing	40 mm		KOM-707-52-90151	11.24
	707-G7-00081	91096-		P-UB-14	40 mm	80 mm	KOM-707-99-22310	229.90
	707-G7-00081	91096-		Bushing	40 mm		KOM-707-52-90151	11.24
ANGLE RH	707-E0-00700	90404-91095		P-UB-14	40 mm	80 mm	KOM-707-99-22300	155.56
	707-E0-00700	90404-91095		Bushing	40 mm		KOM-707-52-90151	11.24
	707-E0-00701	91096-		P-UB-14	40 mm	80 mm	KOM-707-99-22300	155.56
	707-E0-00701	91096-		Bushing	40 mm		KOM-707-52-90151	11.24
LIFT LH	707-G0-01240	90404-		P-UB-14	40 mm	75 mm	KOM-707-99-14990	125.52
	707-G0-01240	90404-		Bushing	40 mm		KOM-707-52-90151	11.24
LIFT RH	707-G7-00070	90404-		P-UB-14	40 mm	75 mm	KOM-707-99-15770	154.57
	707-G7-00070	90404-		Bushing	40 mm		KOM-707-52-90151	11.24
RIPPER	707-E0-00680	90404-		P-UB-14	55 mm	105 mm	KOM-707-99-34260	197.51
	707-E0-00680	90404-		Bushing	55 mm		KOM-707-52-90301	22.29
TILT	707-G7-00090	90404-91121		P-UB-14	45 mm	90 mm	KOM-707-99-24760	130.13
	707-G7-00090	90404-91121		Bushing	45 mm		KOM-707-52-90221	11.24
	707-G7-00330	91122-		P-UB-14	45 mm	90 mm	KOM-707-99-24760	130.13
	707-G7-00330	91122-		Bushing	45 mm		KOM-707-52-90221	11.24

LT - Large size tire L/S - Loading Shovel SLF - Super Long Front B/H - Backhoe HD - Heavy Duty L BUCKET - Large Bucket
 K-LINK - K-type Linkage Blade LB HI-LIFT - High Lift Arm w Large Bucket HI-LIFT - High Lift Arm S HI-LIFT - Super High Lift Arm
 SU - Semi-U Dozer PAT - Power Angle Power Tilt MP - Multi-Purpose

FORMERLY LISTED REPAIR PARTS ARE AVAILABLE ONLINE AT WWW.HERCULESCA.CA
 OR BY CONTACTING YOUR REGIONAL HERCULES SALES TEAM.

Replacement Kits For

KOMATSU

Crawler Dozers								
APPLICATION	CYL #	SERIAL #	Misc	CODE	ROD	BORE	KIT #	List \$
MODEL D39EXI-23								
TRACK ADJUSTER		90404-		TRK ADJ			KOM-SK100136	190.10
		90404-	w/ valve	TRK ADJ			KOM-SK100120	331.81
MODEL D39EXI-24								
ANGLE LH	707-G7-00280	95001-95548		P-UB-14	40 mm	80 mm	KOM-707-99-22310	229.90
	707-G7-00280	95001-95548		Bushing	40 mm		KOM-707-52-90151	11.24
	707-G7-00281	95549-		P-UB-14	40 mm	80 mm	KOM-707-99-22310	229.90
	707-G7-00281	95549-		Bushing	40 mm		KOM-707-52-90151	11.24
ANGLE RH	707-E0-00700	95001-95548		P-UB-14	40 mm	80 mm	KOM-707-99-22310	229.90
	707-E0-00700	95001-95548		Bushing	40 mm		KOM-707-52-90151	11.24
	707-E0-00701	95549-		P-UB-14	40 mm	80 mm	KOM-707-99-22310	229.90
	707-E0-00701	95549-		Bushing	40 mm		KOM-707-52-90151	11.24
LIFT LH	707-G0-01240	95001-		P-UB-14	40 mm	75 mm	KOM-707-99-15770	154.57
	707-G0-01240	95001-		Bushing	40 mm		KOM-707-52-90151	11.24
LIFT RH	707-G7-00070	95001-		P-UB-14	40 mm	75 mm	KOM-707-99-15770	154.57
	707-G7-00070	95001-		Bushing	40 mm		KOM-707-52-90151	11.24
RIPPER LIFT	707-E0-00680	95001-		P-UB-14	55 mm	105 mm	KOM-707-99-34260	197.51
	707-E0-00680	95001-		Bushing	55 mm		KOM-707-52-90301	22.29
TILT	707-G7-00330	95001-		P-UB-14	45 mm	90 mm	KOM-707-99-24760	130.13
	707-G7-00330	95001-		Bushing	45 mm		KOM-707-52-90221	11.24
TRACK ADJUSTER		95001-	w/ valve	TRK ADJ			KOM-SK100120	331.81
		95001-		TRK ADJ			KOM-SK100136	190.10
MODEL D39PX-22								
BLADE ANGLE	707-00-0H610	3001-		P-UB-14	40 mm	80 mm	KOM-707-99-23040	156.95
	707-00-0H610	3001-		Bushing	40 mm		KOM-707-52-90150	11.24
BLADE LIFT	707-00-0H620	3001-		P-UB-14	40 mm	75 mm	KOM-707-99-14960	191.11
	707-00-0H620	3001-		Bushing	40 mm		KOM-707-52-90150	11.24
BLADE TILT	707-00-0H600	3001-		P-UB-14	45 mm	90 mm	KOM-707-99-24650	165.69
	707-00-0H600	3001-		Bushing	45 mm		KOM-707-52-90220	11.24
MODEL D39PX-23								
ANGLE	707-E0-00700	90001-		P-UB-14	40 mm	80 mm	KOM-707-99-22300	155.56
LIFT LH	707-E0-00710	90001-		P-UB-14	40 mm	75 mm	KOM-707-99-14990	125.52
LIFT RH	707-E0-00720	90001-		P-UB-14	40 mm	75 mm	KOM-707-99-14990	125.52
TILT	707-E0-00690	90001-		P-UB-14	45 mm	90 mm	KOM-707-99-24720	110.21
TRACK ADJUSTER		90001-	kit w/ valve	TRK ADJ			KOM-SK100120	331.81
		90001-		TRK ADJ			KOM-SK100136	190.10
MODEL D39PX-24								
ANGLE	707-E0-00700	95001-95548		P-UB-14	40 mm	80 mm	KOM-707-99-22310	229.90
	707-E0-00700	95001-95548		Bushing	40 mm		KOM-707-52-90151	11.24
	707-E0-00701	95549-		P-UB-14	40 mm	80 mm	KOM-707-99-22310	229.90
	707-E0-00701	95549-		Bushing	40 mm		KOM-707-52-90151	11.24
LIFT LH	707-G0-01240	95001-		P-UB-14	40 mm	75 mm	KOM-707-99-15770	154.57
	707-G0-01240	95001-		Bushing	40 mm		KOM-707-52-90151	11.24
LIFT RH	707-G0-01900	95001-		P-UB-14	40 mm	75 mm	KOM-707-99-14990	125.52
	707-G0-01900	95001-		Bushing	40 mm		KOM-707-52-90151	11.24
TILT	707-E0-00690	95001-		P-UB-14	45 mm	90 mm	KOM-707-99-24720	110.21
	707-E0-00690	95001-		Bushing	45 mm		KOM-707-52-90221	11.24
TRACK ADJUSTER		95001-		TRK ADJ			KOM-SK100136	190.10
		95001-	w/ valve	TRK ADJ			KOM-SK100120	331.81
MODEL D39PXI-23								
ANGLE LH	707-G7-00080	90404-91095		P-UB-14	40 mm	80 mm	KOM-707-99-22310	229.90
	707-G7-00080	90404-91095		Bushing	40 mm		KOM-707-52-90151	11.24
	707-G7-00081	91096-		P-UB-14	40 mm	80 mm	KOM-707-99-22310	229.90
	707-G7-00081	91096-		Bushing	40 mm		KOM-707-52-90151	11.24
ANGLE RH	707-E0-00700	90404-91095		P-UB-14	40 mm	80 mm	KOM-707-99-22300	155.56
	707-E0-00700	90404-91095		Bushing	40 mm		KOM-707-52-90151	11.24

LT - Large size tire L/S - Loading Shovel SLF - Super Long Front B/H - Backhoe HD - Heavy Duty L BUCKET - Large Bucket
 K-LINK - K-type Linkage Blade LB HI-LIFT - High Lift Arm w Large Bucket HI-LIFT - High Lift Arm S HI-LIFT - Super High Lift Arm
 SU - Semi-U Dozer PAT - Power Angle Power Tilt MP - Mult-Purpose

KOMATSU

Replacement Kits For

Crawler Dozers								
APPLICATION	CYL #	SERIAL #	Misc	CODE	ROD	BORE	KIT #	List \$
MODEL D39PXI-23								
ANGLE RH	707-E0-00701	91096-		P-UB-14	40 mm	80 mm	KOM-707-99-22300	155.56
	707-E0-00701	91096-		Bushing	40 mm		KOM-707-52-90151	11.24
LIFT LH	707-G0-01240	90404-		P-UB-14	40 mm	75 mm	KOM-707-99-14990	125.52
	707-G0-01240	90404-		Bushing	40 mm		KOM-707-52-90151	11.24
LIFT RH	707-G7-00070	90404-		P-UB-14	40 mm	75 mm	KOM-707-99-15770	154.57
	707-G7-00070	90404-		Bushing	40 mm		KOM-707-52-90151	11.24
TILT	707-G7-00090	90404-91121		P-UB-14	45 mm	90 mm	KOM-707-99-24760	130.13
	707-G7-00090	90404-91121		Bushing	45 mm		KOM-707-52-90221	11.24
	707-G7-00330	91122-		P-UB-14	45 mm	90 mm	KOM-707-99-24760	130.13
	707-G7-00330	91122-		Bushing	45 mm		KOM-707-52-90221	11.24
TRACK ADJUSTER		90404-	w/ valve	TRK ADJ			KOM-SK100120	331.81
		90404-		TRK ADJ			KOM-SK100136	190.10
MODEL D39PXI-24								
ANGLE LH	707-G7-00280	95001-95548		P-UB-14	40 mm	80 mm	KOM-707-99-22310	229.90
	707-G7-00280	95001-95548		Bushing	40 mm		KOM-707-52-90151	11.24
	707-G7-00281	95549-		P-UB-14	40 mm	80 mm	KOM-707-99-22310	229.90
	707-G7-00281	95549-		Bushing	40 mm		KOM-707-52-90151	11.24
ANGLE RH	707-E0-00700	95001-95548		P-UB-14	40 mm	80 mm	KOM-707-99-22310	229.90
	707-E0-00700	95001-95548		Bushing	40 mm		KOM-707-52-90151	11.24
	707-E0-00701	95549-		P-UB-14	40 mm	80 mm	KOM-707-99-22310	229.90
LIFT LH	707-G0-01240	95001-		P-UB-14	40 mm	75 mm	KOM-707-99-15770	154.57
	707-G0-01240	95001-		Bushing	40 mm		KOM-707-52-90151	11.24
LIFT RH	707-G7-00070	95001-		P-UB-14	40 mm	75 mm	KOM-707-99-15770	154.57
	707-G7-00070	95001-		Bushing	40 mm		KOM-707-52-90151	11.24
TILT	707-G7-00330	95001-		P-UB-14	45 mm	90 mm	KOM-707-99-24760	130.13
	707-G7-00330	95001-		Bushing	45 mm		KOM-707-52-90221	11.24
TRACK ADJUSTER		95001-	w/ valve	TRK ADJ			KOM-SK100120	331.81
		95001-		TRK ADJ			KOM-SK100136	190.10
MODEL D40A-1, D40P-1								
LIFT	12F-63-13100	1501-2200		P-U-5	50 mm	80 mm	KOM-707-98-25050	167.60
	12F-63-13103	2201-		P-U-5	50 mm	80 mm	KOM-707-98-25050	167.60
	12F-63-13200	1501-2200		P-U-5	50 mm	80 mm	KOM-707-98-25050	167.60
	12F-63-13203	2201-		P-U-5	50 mm	80 mm	KOM-707-98-25050	167.60
MODEL D40A-3								
LIFT	12F-63-13701	6001-		P-U-14	45 mm	70 mm	KOM-12F-63-05020	128.82
	12F-63-13801	6001-		P-U-14	45 mm	70 mm	KOM-12F-63-05020	128.82
RIPPER	125-63-42300	6001-		P-U-14	60 mm	120 mm	KOM-707-98-41130	308.85
TRIMMING	124-63-79500	6001-		P-U-14	45 mm	90 mm	KOM-707-98-24530	222.47
	124-63-79600	6001-		P-U-14	45 mm	90 mm	KOM-707-98-24530	222.47
TRIMMING LIFT	124-63-69500	6001-		P-U-14	45 mm	70 mm	KOM-707-98-15650	129.08
	124-63-69600	6001-		P-U-14	45 mm	70 mm	KOM-707-98-15650	129.08
MODEL D40F-3								
TOOL BAR	120-63-48100	6221-		P-U-14	70 mm	140 mm	KOM-707-98-52100	383.49
	120-63-48200	6221-		P-U-14	70 mm	140 mm	KOM-707-98-52100	383.49
MODEL D40P-3, D40PL-3, D40PLL-3								
LIFT	12F-63-13701	6001-		P-U-14	45 mm	70 mm	KOM-12F-63-05020	128.82
	12F-63-13801	6001-		P-U-14	45 mm	70 mm	KOM-12F-63-05020	128.82
TILT	12F-63-52500	6001-		P-U-14	50 mm	100 mm	KOM-12F-63-05060	214.48
MODEL D40PL-1								
LIFT	12F-63-13100	1925-2200		P-U-5	50 mm	80 mm	KOM-707-98-25050	167.60
	12F-63-13103	2201-		P-U-5	50 mm	80 mm	KOM-707-98-25050	167.60
	12F-63-13200	1925-2200		P-U-5	50 mm	80 mm	KOM-707-98-25050	167.60
	12F-63-13203	2201-		P-U-5	50 mm	80 mm	KOM-707-98-25050	167.60
MODEL D41A-6								
BLADE ANGLE	124-63-02210	B20001-		P-U-10	65 mm	130 mm	KOM-707-98-42420	138.77

LT - Large size tire L/S - Loading Shovel SLF - Super Long Front B/H - Backhoe HD - Heavy Duty L BUCKET - Large Bucket
 K-LINK - K-type Linkage Blade LB HI-LIFT - High Lift Arm w Large Bucket HI-LIFT - High Lift Arm S HI-LIFT - Super High Lift Arm
 SU - Semi-U Dozer PAT - Power Angle Power Tilt MP - Mulit-Purpose

Replacement Kits For

KOMATSU

Crawler Dozers								
APPLICATION	CYL #	SERIAL #	Misc	CODE	ROD	BORE	KIT #	List \$
MODEL D41A-6								
BLADE LIFT	124-63-02201	B20001-		P-U-14	50 mm	105 mm	KOM-707-98-32820	308.60
BLADE TILT	124-63-02222	B20001-		P-U-14	55 mm	110 mm	KOM-707-98-34590	272.18
MODEL D41E-6, D41P-6								
ANGLE	124-63-02210	B20001-		P-U-10	65 mm	130 mm	KOM-707-98-42420	138.77
	124-63-02210	B20001-		Bushing	65 mm		KOM-707-52-10660	27.20
BLADE LIFT	124-63-02201	B20001-		P-U-14	50 mm	105 mm	KOM-707-98-32820	308.60
LIFT	124-63-02201	B20001-		P-U-14	50 mm	105 mm	KOM-707-98-32820	308.60
	124-63-02201	B20001-		Bushing	50 mm		KOM-07177-05030	18.73
RIPPER	125-63-42300	B20001-		P-U-14	60 mm	120 mm	KOM-707-98-41130	308.85
	125-63-42300	B20001-		Bushing	60 mm		KOM-07177-06030	22.48
TILT	124-63-02221	B20001-		P-U-10	65 mm	130 mm	KOM-707-98-42420	138.77
	124-63-02221	B20001-		Bushing	55 mm		KOM-07177-05530	22.11
	124-63-02222	B20001-		P-U-14	55 mm	110 mm	KOM-707-98-34590	272.18
MODEL D50-17								
BLADE LIFT (A)	130-63-12300	80001-		P-U-5	55 mm	90 mm	KOM-707-98-26540	128.58
	130-63-12400	80001-		P-U-5	55 mm	90 mm	KOM-707-98-26540	128.58
BLADE LIFT (P)	13F-63-14300	80001-		P-U-5	55 mm	90 mm	KOM-707-98-26540	128.58
	13F-63-14400	80001-		P-U-5	55 mm	90 mm	KOM-707-98-26540	128.58
BLADE TILT	130-63-52500	80001-		P-U-14	70 mm	160 mm	KOM-707-98-60120	246.72
MODEL D50A-17								
LIFT	130-63-12006	80001-		P-U-5	55 mm	90 mm	KOM-707-98-26540	128.58
	130-63-12106	80001-		P-U-5	55 mm	90 mm	KOM-707-98-26540	128.58
MAP TILT	144-63-53300	80001-		P-U-14	70 mm	160 mm	KOM-707-98-60110	244.21
	144-63-53400	80001-		P-U-14	70 mm	160 mm	KOM-707-98-60110	244.21
TRIMMING LIFT	130-63-69100	80001-		P-U-5	55 mm	90 mm	KOM-707-98-26540	128.58
	130-63-69200	80001-		P-U-5	55 mm	90 mm	KOM-707-98-26540	128.58
MODEL D50P-17, D50PL-17								
LIFT	13F-63-13102	80001-		P-U-5	55 mm	90 mm	KOM-707-98-26540	128.58
	13F-63-13202	80001-		P-U-5	55 mm	90 mm	KOM-707-98-26540	128.58
TILT	130-63-52500	80001-		P-U-14	70 mm	160 mm	KOM-707-98-60120	246.72
MODEL D51EX-22								
ANGLE	707-00-0G851	B10001-		P-UB-14	50 mm	90 mm	KOM-707-99-25730	206.16
	707-00-0G851	B10001-		Bushing	50 mm		KOM-707-52-90260	15.61
LIFT	707-00-0G820	B10001-		P-UB-14	50 mm	90 mm	KOM-707-99-25720	109.73
	707-00-0G820	B10001-		Bushing	50 mm		KOM-707-52-90250	18.73
	707-00-0G830	B10001-		P-UB-14	50 mm	90 mm	KOM-707-99-25720	109.73
	707-00-0G830	B10001-		Bushing	50 mm		KOM-707-52-90250	18.73
RIPPER	707-00-XG860	B10001-		P-UB-14	60 mm	110 mm	KOM-707-99-35720	253.05
	707-00-XG860	B10001-		Bushing	60 mm		KOM-707-52-90350	22.48
TILT	707-00-0G840	B10001-		P-UB-14	55 mm	100 mm	KOM-707-99-34300	213.45
	707-00-0G840	B10001-		Bushing	55 mm		KOM-707-52-90300	22.29
MODEL D51EXi-22								
ANGLE LH	707-11-90A50	B13500-		P-UB-14	50 mm	90 mm	KOM-707-99-25420	216.84
	707-11-90A50	B13500-		Bushing	50 mm		KOM-707-52-90261	19.67
ANGLE RH	707-11-90A70	B13500-		P-UB-14	50 mm	90 mm	KOM-707-99-25420	216.84
	707-11-90A70	B13500-		Bushing	50 mm		KOM-707-52-90261	19.67
LIFT LH	707-11-90A60	B13500-		P-UB-14	50 mm	90 mm	KOM-707-99-25430	199.13
	707-11-90A60	B13500-		Bushing	50 mm		KOM-707-52-90251	18.73
LIFT RH	707-11-90A40	B13500-		P-UB-14	50 mm	90 mm	KOM-707-99-25410	208.62
	707-11-90A40	B13500-		Bushing	50 mm		KOM-707-52-90261	19.67
TILT	707-11-10K20	B13500-B14298		P-U-14	55 mm	100 mm	KOM-707-99-34330	185.53
	707-11-10K20	B13500-B14298		Bushing	55 mm		KOM-707-52-90301	22.29
	707-11-10K21	B14299-		P-U-14	55 mm	100 mm	KOM-707-99-34330	185.53
	707-11-10K21	B14299-		Bushing	55 mm		KOM-707-52-90301	22.29
MODEL D51PX-22								
ANGLE	707-00-0G851	B10001-		P-UB-14	50 mm	90 mm	KOM-707-99-25730	206.16

LT - Large size tire L/S - Loading Shovel SLF - Super Long Front B/H - Backhoe HD - Heavy Duty L BUCKET - Large Bucket
 K-LINK - K-type Linkage Blade LB HI-LIFT - High Lift Arm w Large Bucket HI-LIFT - High Lift Arm S HI-LIFT - Super High Lift Arm
 SU - Semi-U Dozer PAT - Power Angle Power Tilt MP - Mult-Purpose

KOMATSU

KOMATSU

Replacement Kits For

KOMATSU

Crawler Dozers								
APPLICATION	CYL #	SERIAL #	Misc	CODE	ROD	BORE	KIT #	List \$
MODEL D51PX-22								
ANGLE	707-00-0G851	B10001-		Bushing	50 mm		KOM-707-52-90260	15.61
LIFT	707-00-0G820	B10001-		P-UB-14	50 mm	90 mm	KOM-707-99-25720	109.73
	707-00-0G820	B10001-		Bushing	50 mm		KOM-707-52-90250	18.73
	707-00-0G830	B10001-		P-UB-14	50 mm	90 mm	KOM-707-99-25720	109.73
	707-00-0G830	B10001-		Bushing	50 mm		KOM-707-52-90250	18.73
RIPPER	707-00-XG860	B10001-		P-UB-14	60 mm	110 mm	KOM-707-99-35720	253.05
	707-00-XG860	B10001-		Bushing	60 mm		KOM-707-52-90350	22.48
TILT	707-00-0G840	B10001-		P-UB-14	55 mm	100 mm	KOM-707-99-34300	213.45
	707-00-0G840	B10001-		Bushing	55 mm		KOM-707-52-90300	22.29
TRACK ADJUSTER		B10001-	kit w/ valve	TRK ADJ			KOM-SK100121	319.72
		B10001-		TRK ADJ			KOM-SK100137	130.74
MODEL D51PX-24								
TRACK ADJUSTER		10001-	kit w/ valve	TRK ADJ			KOM-SK100121	319.72
		10001-		TRK ADJ			KOM-SK100137	130.74
MODEL D51PXI-22								
ANGLE LH	707-11-90A50	B13500-		P-UB-14	50 mm	90 mm	KOM-707-99-25420	216.84
	707-11-90A50	B13500-		Bushing	50 mm		KOM-707-52-90261	19.67
ANGLE RH	707-11-90A70	B13500-		P-UB-14	50 mm	90 mm	KOM-707-99-25420	216.84
	707-11-90A70	B13500-		Bushing	50 mm		KOM-707-52-90261	19.67
LIFT LH	707-11-90A60	B13500-		P-UB-14	50 mm	90 mm	KOM-707-99-25430	199.13
	707-11-90A60	B13500-		Bushing	50 mm		KOM-707-52-90251	18.73
LIFT RH	707-11-90A40	B13500-		P-UB-14	50 mm	90 mm	KOM-707-99-25410	208.62
	707-11-90A40	B13500-		Bushing	50 mm		KOM-707-52-90261	19.67
TILT	707-11-10K20	B13500-B14298		P-U-14	55 mm	100 mm	KOM-707-99-34330	185.53
	707-11-10K20	B13500-B14298		Bushing	55 mm		KOM-707-52-90301	22.29
	707-11-10K21	B14299-		P-U-14	55 mm	100 mm	KOM-707-99-34330	185.53
	707-11-10K21	B14299-		Bushing	55 mm		KOM-707-52-90301	22.29
TRACK ADJUSTER		B13500-		TRK ADJ			KOM-SK100137	130.74
		B13500-	kit w/ valve	TRK ADJ			KOM-SK100121	319.72
MODEL D58E-1B								
PAT ANGLE	13F-63-02110	81285-		P-U-10	60 mm	120 mm	KOM-707-98-41020	137.43
PAT TILT	13F-63-02080	81285-		P-U-14	75 mm	150 mm	KOM-707-98-53410	320.84
MODEL D60A-8								
LIFT	144-63-12502	45001-		P-U-14	65 mm	110 mm	KOM-144-63-05050	265.80
	144-63-12602	45001-		P-U-14	65 mm	110 mm	KOM-144-63-05050	265.80
MAP TILT	144-63-53300	45001-		P-U-14	70 mm	160 mm	KOM-707-98-60110	244.21
	144-63-53400	45001-		P-U-14	70 mm	160 mm	KOM-707-98-60110	244.21
RIPPER	144-63-42100	45001-		P-U-14	75 mm	160 mm	KOM-707-98-61100	314.24
TRIMMING	144-63-97300	45001-		P-U-14	55 mm	120 mm	KOM-707-99-40040	286.12
	144-63-97400	45001-		P-U-14	55 mm	120 mm	KOM-707-99-40040	286.12
TRIMMING LIFT	144-63-69500	45001-		P-U-14	65 mm	110 mm	KOM-707-99-36420	251.23
	144-63-69600	45001-		P-U-14	65 mm	110 mm	KOM-707-99-36420	251.23
MODEL D60A-8, D65A-8								
LIFT (FOR EC)	144-63-02011	45001-		P-U-10	65 mm	110 mm	KOM-707-98-36411	185.86
	144-63-02021	45001-		P-U-10	65 mm	110 mm	KOM-707-98-36411	185.86
MODEL D60E-8								
LIFT	144-63-13502	45001-		P-N-14	65 mm	110 mm	KOM-144-63-05020	199.80
	144-63-13602	45001-		P-N-14	65 mm	110 mm	KOM-144-63-05020	199.80
RIPPER	144-63-42100	45001-		P-U-14	75 mm	160 mm	KOM-707-98-61100	314.24
TILT	144-63-52200	45001-		P-U-14	70 mm	160 mm	KOM-144-63-05080	244.46
MODEL D60P-8, D60PL-8								
LIFT	144-63-13503	45001-		P-U-14	65 mm	110 mm	KOM-144-63-05050	265.80
	144-63-13603	45001-		P-U-14	65 mm	110 mm	KOM-144-63-05050	265.80
TILT	144-63-52200	45001-		P-U-14	70 mm	160 mm	KOM-144-63-05080	244.46
MODEL D60S-8								
DUMP	141-63-32300	45001-		P-U-14	60 mm	140 mm	KOM-141-63-05010	280.82

LT - Large size tire L/S - Loading Shovel SLF - Super Long Front B/H - Backhoe HD - Heavy Duty L BUCKET - Large Bucket
 K-LINK - K-type Linkage Blade LB HI-LIFT - High Lift Arm w Large Bucket HI-LIFT - High Lift Arm S HI-LIFT - Super High Lift Arm
 SU - Semi-U Dozer PAT - Power Angle Power Tilt MP - Mult-Purpose

Replacement Kits For

KOMATSU

Crawler Dozers								
APPLICATION	CYL #	SERIAL #	Misc	CODE	ROD	BORE	KIT #	List \$
MODEL D60S-8								
DUMP	141-63-32400	45001-		P-U-14	60 mm	140 mm	KOM-141-63-05010	280.82
DUMP (HI-LIFT)	141-63-33100	45001-		P-U-14	60 mm	140 mm	KOM-707-98-50100	280.82
	141-63-33200	45001-		P-U-14	60 mm	140 mm	KOM-707-98-50100	280.82
LIFT	141-63-22300	45001-		P-U-14	75 mm	160 mm	KOM-141-63-05050	318.61
	141-63-22400	45001-		P-U-14	75 mm	160 mm	KOM-141-63-05050	318.61
MODEL D61EX-12, D61PX-12								
ANGLE (PAT)	134-63-01070	1001-1181, B3001-		I-UB-14	60 mm	100 mm	KOM-707-99-35160	227.80
	134-63-01071	1182-		P-UB-14	60 mm	100 mm	KOM-707-99-35170	77.55
LIFT (PAT)	134-63-01012	1001-1181, B3001-		I-U-14	55 mm	110 mm	KOM-707-98-34580	215.03
	134-63-01013	1182-		P-UB-14	55 mm	110 mm	KOM-707-99-34600	132.13
LIFT (SU, STT)	134-63-01060	1001-, B3001-		P-U-14	55 mm	110 mm	KOM-707-98-34640	129.99
RIPPER	14X-63-01052	1001-, B3001-	D61EX-12	P-U-14	70 mm	140 mm	KOM-707-98-52130	325.89
TILT (PAT)	134-63-01031	1001-1181, B3001-		I-U-14	70 mm	130 mm	KOM-707-98-43620	294.98
	134-63-01032	1182-		P-UB-14	70 mm	130 mm	KOM-707-99-43680	108.92
TILT (SU, STT)	134-63-01041	1001-, B3001-		P-U-14	70 mm	140 mm	KOM-707-98-52140	270.15
MODEL D61EX-15, D61PX-15								
ANGLE (PAT)	707-00-0C691	B40001-, B45001-		P-UB-14	65 mm	110 mm	KOM-707-99-36550	103.57
	707-00-0C691	B40001-, B45001-		Bushing	65 mm		KOM-707-52-90400	26.16
LIFT	707-00-0C671	B40001-, B45001-		P-UB-14	55 mm	110 mm	KOM-707-99-34620	144.86
	707-00-0C671	B40001-, B45001-		Bushing	55 mm		KOM-707-52-90300	22.29
LIFT (PAT)	707-00-0C681	B40001-, B45001-		P-UB-14	55 mm	110 mm	KOM-707-99-34630	135.52
	707-00-0C681	B40001-, B45001-		Bushing	55 mm		KOM-707-52-90300	22.29
RIPPER	707-01-0C851	B40001-, B45001-	D61EX-15	P-UB-14	70 mm	140 mm	KOM-707-99-52170	133.82
	707-01-0C851	B40001-, B45001-		Bushing	70 mm		KOM-707-52-90470	27.78
TILT	707-01-0C521	B40001-, B45001-		P-UB-14	70 mm	140 mm	KOM-707-99-52160	124.60
	707-01-0C521	B40001-, B45001-		Bushing	70 mm		KOM-707-52-90470	27.78
TILT (PAT)	707-00-0C821	B40001-, B45001-		P-UB-14	70 mm	130 mm	KOM-707-99-43690	111.73
TRACK ADJUSTER		B40001-		TRK ADJ			KOM-SK100140	151.99
		B40001-	kit w/ valve	TRK ADJ			KOM-SK100124	290.91
MODEL D61EX-23								
ANGLE	707-E0-00590	30001-32167		P-UB-14	65 mm	110 mm	KOM-707-99-36690	302.12
	707-E0-00590	30001-32167		Bushing	65 mm		KOM-707-52-90401	26.16
	707-E0-00592	32168-		P-UB-14	65 mm	110 mm	KOM-707-99-36690	302.12
	707-E0-00592	32168-		Bushing	65 mm		KOM-707-52-90401	26.16
LIFT LH	707-E0-00610	30001-		P-UB-14	55 mm	100 mm	KOM-707-99-34250	319.50
	707-E0-00610	30001-		Bushing	55 mm		KOM-707-52-90301	22.29
LIFT RH	707-E0-00620	30001-		P-UB-14	55 mm	100 mm	KOM-707-99-34250	319.50
	707-E0-00620	30001-		Bushing	55 mm		KOM-707-52-90301	22.29
RIPPER	707-E0-00600	30001-		P-UB-14	70 mm	125 mm	KOM-707-99-42300	284.87
	707-E0-00600	30001-		Bushing	70 mm		KOM-707-52-90451	29.53
TILT	707-E0-00570	30001-		P-UB-14	70 mm	120 mm	KOM-707-99-42220	347.28
	707-E0-00570	30001-		Bushing	70 mm		KOM-707-52-90461	12.34
MODEL D61EX-24								
ANGLE	707-E0-00591	40001-40632; B60001-B60549		P-UB-14	65 mm	110 mm	KOM-707-99-36690	302.12
	707-E0-00591	40001-40632; B60001-B60549		Bushing	65 mm		KOM-707-52-90401	26.16
	707-E0-00592	40633-; B60550-		P-UB-14	65 mm	110 mm	KOM-707-99-36690	302.12
	707-E0-00592	40633-; B60550-		Bushing	65 mm		KOM-707-52-90401	26.16
LIFT LH	707-E0-00610	40001-; B60001-		P-UB-14	55 mm	100 mm	KOM-707-99-34250	319.50
	707-E0-00610	40001-; B60001-		Bushing	55 mm		KOM-707-52-90301	22.29
LIFT RH	707-E0-00620	40001-; B60001-		P-UB-14	55 mm	100 mm	KOM-707-99-34250	319.50
	707-E0-00620	40001-; B60001-		Bushing	55 mm		KOM-707-52-90301	22.29

LT - Large size tire L/S - Loading Shovel SLF - Super Long Front B/H - Backhoe HD - Heavy Duty L BUCKET - Large Bucket
 K-LINK - K-type Linkage Blade LB HI-LIFT - High Lift Arm w Large Bucket HI-LIFT - High Lift Arm S HI-LIFT - Super High Lift Arm
 SU - Semi-U Dozer PAT - Power Angle Power Tilt MP - Mult-Purpose

KOMATSU

Replacement Kits For

Crawler Dozers								
APPLICATION	CYL #	SERIAL #	Misc	CODE	ROD	BORE	KIT #	List \$
MODEL D61EX-24								
RIPPER	707-E0-00600	40001-; B60001-		P-UB-14	70 mm	125 mm	KOM-707-99-42300	284.87
	707-E0-00600	40001-; B60001-		Bushing	70 mm		KOM-707-52-90451	29.53
TILT	707-E0-00570	40001-; B60001-		P-UB-14	70 mm	120 mm	KOM-707-99-42220	347.28
	707-E0-00570	40001-; B60001-		Bushing	70 mm		KOM-707-52-90461	12.34
TRACK ADJUSTER		40001-; B60001-	w/ valve	TRK ADJ			KOM-SK100215	198.45
		40001-; B60001-		TRK ADJ			KOM-SK100216	163.85
MODEL D61EXi-23								
ANGLE LH	707-E7-00020	30001-32165		P-UB-14	65 mm	110 mm	KOM-707-99-36740	306.20
	707-E7-00020	30001-32165		Bushing	65 mm		KOM-707-52-90401	26.16
	707-E7-00021	32166-		P-UB-14	65 mm	110 mm	KOM-721-98-03270	306.20
	707-E7-00021	32166-		Bushing	65 mm		KOM-707-52-90401	26.16
ANGLE RH	707-E0-00590	30001-32165		P-UB-14	65 mm	110 mm	KOM-707-99-36690	302.12
	707-E0-00590	30001-32165		Bushing	65 mm		KOM-707-52-90401	26.16
	707-E0-00592	32166-		P-UB-14	65 mm	110 mm	KOM-707-99-36690	302.12
	707-E0-00592	32166-		Bushing	65 mm		KOM-707-52-90401	26.16
LIFT LH	707-E0-00610	30001-		P-UB-14	55 mm	100 mm	KOM-707-99-34250	319.50
	707-E0-00610	30001-		Bushing	55 mm		KOM-707-52-90301	22.29
LIFT RH	707-E7-00010	30001-		P-UB-14	55 mm	100 mm	KOM-707-99-34320	304.95
	707-E7-00010	30001-		Bushing	55 mm		KOM-707-52-90301	22.29
RIPPER	707-E0-00600	30001-		P-UB-14	70 mm	125 mm	KOM-707-99-42300	284.87
	707-E0-00600	30001-		Bushing	70 mm		KOM-707-52-90451	29.53
TILT	707-E7-00030	30001-		P-UB-14	70 mm	120 mm	KOM-707-99-42330	319.51
	707-E7-00030	30001-		Bushing	70 mm		KOM-707-52-90461	12.34
MODEL D61EXi-24								
ANGLE LH	707-G7-00150	40001-40633; B60001-B60549		P-UB-14	65 mm	110 mm	KOM-707-99-36740	306.20
	707-G7-00150	40001-40633; B60001-B60549		Bushing	65 mm		KOM-707-52-90401	26.16
	707-G7-00151	40634-; B60550-		P-UB-14	65 mm	110 mm	KOM-707-99-36740	306.20
	707-G7-00151	40634-; B60550-		Bushing	65 mm		KOM-707-52-90401	26.16
ANGLE RH	707-E0-00591	40001-40632; B60001-B60549		P-UB-14	65 mm	110 mm	KOM-707-99-36690	302.12
	707-E0-00591	40001-40632; B60001-B60549		Bushing	65 mm		KOM-707-52-90401	26.16
	707-E0-00592	40633-; B60550-		P-UB-14	65 mm	110 mm	KOM-707-99-36690	302.12
	707-E0-00592	40633-; B60550-		Bushing	65 mm		KOM-707-52-90401	26.16
LIFT LH	707-E0-00610	40001-; B60001-		P-UB-14	55 mm	100 mm	KOM-707-99-34250	319.50
	707-E0-00610	40001-; B60001-		Bushing	55 mm		KOM-707-52-90301	22.29
LIFT RH	707-E7-00010	40001-; B60001-		P-UB-14	55 mm	100 mm	KOM-707-99-34320	304.95
	707-E7-00010	40001-; B60001-		Bushing	55 mm		KOM-707-52-90301	22.29
RIPPER	707-E0-00600	40001-; B60001-		P-UB-14	70 mm	125 mm	KOM-707-99-42300	284.87
	707-E0-00600	40001-; B60001-		Bushing	70 mm		KOM-707-52-90451	29.53
TILT	707-G7-00290	40001-; B60001-		P-UB-14	70 mm	120 mm	KOM-707-99-42330	319.51
	707-G7-00290	40001-; B60001-		Bushing	70 mm		KOM-707-52-90461	12.34
TRACK ADJUSTER		40001-; B60001-	w/ valve	TRK ADJ			KOM-SK100215	198.45
		40001-; B60001-		TRK ADJ			KOM-SK100216	163.85
MODEL D61PX-23								
ANGLE	707-E0-00590	30001-32172		P-UB-14	65 mm	110 mm	KOM-707-99-36690	302.12
	707-E0-00590	30001-32172		Bushing	65 mm		KOM-707-52-90401	26.16
	707-E0-00592	32173-		P-UB-14	65 mm	110 mm	KOM-707-99-36690	302.12
	707-E0-00592	32173-		Bushing	65 mm		KOM-707-52-90401	26.16
LIFT LH	707-E0-00610	30001-		P-UB-14	55 mm	100 mm	KOM-707-99-34250	319.50
	707-E0-00610	30001-		Bushing	55 mm		KOM-707-52-90301	22.29
LIFT RH	707-E0-00620	30001-		P-UB-14	55 mm	100 mm	KOM-707-99-34250	319.50
	707-E0-00620	30001-		Bushing	55 mm		KOM-707-52-90301	22.29
TILT	707-E0-00570	30001-		P-UB-14	70 mm	120 mm	KOM-707-99-42220	347.28

LT - Large size tire L/S - Loading Shovel SLF - Super Long Front B/H - Backhoe HD - Heavy Duty L BUCKET - Large Bucket
 K-LINK - K-type Linkage Blade LB HI-LIFT - High Lift Arm w Large Bucket HI-LIFT - High Lift Arm S HI-LIFT - Super High Lift Arm
 SU - Semi-U Dozer PAT - Power Angle Power Tilt MP - Mult-Purpose

FORMERLY LISTED REPAIR PARTS ARE AVAILABLE ONLINE AT WWW.HERCULESCA.CA
 OR BY CONTACTING YOUR REGIONAL HERCULES SALES TEAM.

Replacement Kits For

KOMATSU

Crawler Dozers								
APPLICATION	CYL #	SERIAL #	Misc	CODE	ROD	BORE	KIT #	List \$
MODEL D61PX-23								
TILT	707-E0-00570	30001-		Bushing	70 mm		KOM-707-52-90461	12.34
MODEL D61PX-24								
ANGLE	707-E0-00591	40001-40632; B60001-B60549		P-UB-14	65 mm	110 mm	KOM-707-99-36690	302.12
	707-E0-00591	40001-40632; B60001-B60549		Bushing	65 mm		KOM-707-52-90401	26.16
	707-E0-00592	40633-; B60550-		P-UB-14	65 mm	110 mm	KOM-707-99-36690	302.12
	707-E0-00592	40633-; B60550-		Bushing	65 mm		KOM-707-52-90401	26.16
LIFT LH	707-E0-00610	40001-; B60001-		P-UB-14	55 mm	100 mm	KOM-707-99-34250	319.50
	707-E0-00610	40001-; B60001-		Bushing	55 mm		KOM-707-52-90301	22.29
LIFT RH	707-E0-00620	40001-; B60001-		P-UB-14	55 mm	100 mm	KOM-707-99-34250	319.50
	707-E0-00620	40001-; B60001-		Bushing	55 mm		KOM-707-52-90301	22.29
RIPPER	707-E0-00600	B60001-		P-UB-14	70 mm	125 mm	KOM-707-99-42300	284.87
	707-E0-00600	B60001-		Bushing	70 mm		KOM-707-52-90451	29.53
TILT	707-E0-00570	40001-; B60001-		P-UB-14	70 mm	120 mm	KOM-707-99-42220	347.28
	707-E0-00570	40001-; B60001-		Bushing	70 mm		KOM-707-52-90461	12.34
TRACK ADJUSTER		40001-; B60001-		TRK ADJ			KOM-SK100216	163.85
		40001-; B60001-	w/ valve	TRK ADJ			KOM-SK100215	198.45
MODEL D61PXi-23								
ANGLE LH	707-E7-00020	30001-32166		P-UB-14	65 mm	110 mm	KOM-707-99-36740	306.20
	707-E7-00020	30001-32166		Bushing	65 mm		KOM-707-52-90401	26.16
	707-E7-00021	32167-		P-UB-14	65 mm	110 mm	KOM-721-98-03270	306.20
	707-E7-00021	32167-		Bushing	65 mm		KOM-707-52-90401	26.16
ANGLE RH	707-E0-00590	30001-32166		P-UB-14	65 mm	110 mm	KOM-707-99-36690	302.12
	707-E0-00590	30001-32166		Bushing	65 mm		KOM-707-52-90401	26.16
	707-E0-00592	32167-		P-UB-14	65 mm	110 mm	KOM-707-99-36690	302.12
	707-E0-00592	32167-		Bushing	65 mm		KOM-707-52-90401	26.16
LIFT LH	707-E0-00610	30001-		P-UB-14	55 mm	100 mm	KOM-707-99-34250	319.50
	707-E0-00610	30001-		Bushing	55 mm		KOM-707-52-90301	22.29
LIFT RH	707-E7-00010	30001-		P-UB-14	55 mm	100 mm	KOM-707-99-34320	304.95
	707-E7-00010	30001-		Bushing	55 mm		KOM-707-52-90301	22.29
TILT	707-E7-00030	30001-		P-UB-14	70 mm	120 mm	KOM-707-99-42330	319.51
	707-E7-00030	30001-		Bushing	70 mm		KOM-707-52-90461	12.34
MODEL D61PXi-24								
ANGLE LH	707-G7-00150	40001-40633; B60001-B60549		P-UB-14	65 mm	110 mm	KOM-707-99-36740	306.20
	707-G7-00150	40001-40633; B60001-B60549		Bushing	65 mm		KOM-707-52-90401	26.16
	707-G7-00151	40634-; B60550-		P-UB-14	65 mm	110 mm	KOM-707-99-36740	306.20
	707-G7-00151	40634-; B60550-		Bushing	65 mm		KOM-707-52-90401	26.16
ANGLE RH	707-E0-00591	40001-40632; B60001-B60549		P-UB-14	65 mm	110 mm	KOM-707-99-36690	302.12
	707-E0-00591	40001-40632; B60001-B60549		Bushing	65 mm		KOM-707-52-90401	26.16
	707-E0-00592	40633-; B60550-		P-UB-14	65 mm	110 mm	KOM-707-99-36690	302.12
	707-E0-00592	40633-; B60550-		Bushing	65 mm		KOM-707-52-90401	26.16
LIFT LH	707-E0-00610	40001-; B60001-		P-UB-14	55 mm	100 mm	KOM-707-99-34250	319.50
	707-E0-00610	40001-; B60001-		Bushing	55 mm		KOM-707-52-90301	22.29
LIFT RH	707-E7-00010	40001-; B60001-		P-UB-14	55 mm	100 mm	KOM-707-99-34320	304.95
	707-E7-00010	40001-; B60001-		Bushing	55 mm		KOM-707-52-90301	22.29
RIPPER	707-E0-00600	B60001-		P-UB-14	70 mm	125 mm	KOM-707-99-42300	284.87
	707-E0-00600	B60001-		Bushing	70 mm		KOM-707-52-90451	29.53
TILT	707-G7-00290	40001-; B60001-		P-UB-14	70 mm	120 mm	KOM-707-99-42330	319.51
	707-G7-00290	40001-; B60001-		Bushing	70 mm		KOM-707-52-90461	12.34
TRACK ADJUSTER		40001-; B60001-	w/ valve	TRK ADJ			KOM-SK100215	198.45
		40001-; B60001-		TRK ADJ			KOM-SK100216	163.85

LT - Large size tire L/S - Loading Shovel SLF - Super Long Front B/H - Backhoe HD - Heavy Duty L BUCKET - Large Bucket
 K-LINK - K-type Linkage Blade LB HI-LIFT - High Lift Arm w Large Bucket HI-LIFT - High Lift Arm S HI-LIFT - Super High Lift Arm
 SU - Semi-U Dozer PAT - Power Angle Power Tilt MP - Multit-Purpose

KOMATSU

Replacement Kits For

Crawler Dozers								
APPLICATION	CYL #	SERIAL #	Misc	CODE	ROD	BORE	KIT #	List \$
MODEL D65A-8								
LIFT	144-63-12602	45001-		P-U-14	65 mm	110 mm	KOM-144-63-05050	265.80
	144-63-69600	45001-		P-U-14	65 mm	110 mm	KOM-144-63-05050	265.80
MAP TILT	144-63-53300	45001-		P-U-14	70 mm	160 mm	KOM-707-98-60110	244.21
	144-63-53400	45001-		P-U-14	70 mm	160 mm	KOM-707-98-60110	244.21
RIPPER	144-63-42100	45001-		P-U-14	75 mm	160 mm	KOM-707-98-61100	314.24
TRIMMING	144-63-97300	45001-		P-U-14	55 mm	120 mm	KOM-707-99-40040	286.12
	144-63-97400	45001-		P-U-14	55 mm	120 mm	KOM-707-99-40040	286.12
TRIMMING LIFT	144-63-69500	45001-		P-U-14	65 mm	110 mm	KOM-707-99-36420	251.23
	144-63-69600			P-U-14	65 mm	110 mm	KOM-707-99-36420	251.23
MODEL D65E-12								
LIFT	14X-63-01063	60942-		P-U-14	65 mm	95 mm	KOM-707-98-28600	278.24
	14X-63-01063	60942-		Bushing	65 mm		KOM-707-52-10660	27.20
LIFT (TRIMMING)	14X-63-07011	60942-60993		P-U-14	65 mm	95 mm	KOM-707-98-28600	278.24
	14X-63-07011	60942-60993		Bushing	65 mm		KOM-707-52-10660	27.20
	14X-63-07012	60994-		P-U-14	65 mm	95 mm	KOM-707-98-28600	278.24
	14X-63-07012	60994-		Bushing	65 mm		KOM-707-52-10660	27.20
RIPPER	14X-63-01052	60942-		P-U-14	70 mm	140 mm	KOM-707-98-52130	325.89
	14X-63-01052	60942-		Bushing	70 mm		KOM-707-52-10700	27.17
TILT	14Y-63-01032	61027-65558		P-U-14	70 mm	140 mm	KOM-707-98-52140	270.15
	14Y-63-01033	60942-61026		P-U-14	70 mm	140 mm	KOM-707-98-52140	270.15
	707-01-0C300	6559-65582		P-U-14	70 mm	140 mm	KOM-707-98-52210	122.82
	707-01-0C301	65583-		P-UB-14	70 mm	140 mm	KOM-707-99-52160	124.60
TRIMMING LH	14X-63-07030	60942-		P-U-14	55 mm	120 mm	KOM-707-98-40020	321.34
	14X-63-07030	60942-		Bushing	55 mm		KOM-07177-05530	22.11
TRIMMING RH	14X-63-07040	60942-		P-U-14	55 mm	120 mm	KOM-707-98-40020	321.34
	14X-63-07040	60942-		Bushing	55 mm		KOM-07177-05530	22.11
MODEL D65EX-12								
LIFT	14X-63-01062	60001-60475		P-U-14	65 mm	95 mm	KOM-707-98-28600	278.24
	14X-63-01062	60001-60475		Bushing	65 mm		KOM-707-52-10660	27.20
	14X-63-01063	60476-		P-U-14	65 mm	95 mm	KOM-707-98-28600	278.24
	14X-63-01063	60476-		Bushing	65 mm		KOM-707-52-10660	27.20
	14Y-63-01014	60942-		P-U-14	65 mm	95 mm	KOM-707-98-28600	278.24
	14Y-63-01014	60942-		Bushing	65 mm		KOM-707-52-10660	27.20
LIFT (TRIMMING)	14X-63-07010	60001-60542		P-U-14	65 mm	95 mm	KOM-707-98-28600	278.24
	14X-63-07010	60001-60542		Bushing	65 mm		KOM-707-52-10660	27.20
	14X-63-07011	60543-60993		P-U-14	65 mm	95 mm	KOM-707-98-28600	278.24
	14X-63-07011	60543-60993		Bushing	65 mm		KOM-707-52-10660	27.20
	14X-63-07012	60994-		P-U-14	65 mm	95 mm	KOM-707-98-28600	278.24
	14X-63-07012	60994-		Bushing	65 mm		KOM-707-52-10660	27.20
RIPPER	14X-63-01052	60001-		P-U-14	70 mm	140 mm	KOM-707-98-52130	325.89
	14X-63-01052	60001-		Bushing	70 mm		KOM-707-52-10700	27.17
TILT	14Y-63-52142	61027-65558		P-U-14	70 mm	140 mm	KOM-707-98-52140	270.15
	14Y-63-52142	61027-65558		Bushing	70 mm		KOM-707-52-10700	27.17
	14Y-63-52143	60942-61026		P-U-14	70 mm	140 mm	KOM-707-98-52140	270.15
	14Y-63-52143	60942-61026		Bushing	70 mm		KOM-707-52-10700	27.17
	707-01-0C300	6559-65582		P-U-14	70 mm	140 mm	KOM-707-98-52210	122.82
	707-01-0C301	65583-		P-UB-14	70 mm	140 mm	KOM-707-99-52160	124.60
TILT/PITCH	14Y-63-01032	60476-		P-U-14	70 mm	140 mm	KOM-707-98-52140	270.15
	14Y-63-01032	60476-		Bushing	70 mm		KOM-707-52-10700	27.17
	14Y-63-01033	60001-60475		P-U-14	70 mm	140 mm	KOM-707-98-52140	270.15
	14Y-63-01033	60001-60475		Bushing	70 mm		KOM-707-52-10700	27.17
TRIMMING LH	14X-63-07030	60001-		P-U-14	55 mm	120 mm	KOM-707-98-40020	321.34
	14X-63-07030	60001-		Bushing	55 mm		KOM-07177-05530	22.11
TRIMMING RH	14X-63-07040	60001-		P-U-14	55 mm	120 mm	KOM-707-98-40020	321.34
	14X-63-07040	60001-		Bushing	55 mm		KOM-07177-05530	22.11

LT - Large size tire L/S - Loading Shovel SLF - Super Long Front B/H - Backhoe HD - Heavy Duty L BUCKET - Large Bucket
 K-LINK - K-type Linkage Blade LB HI-LIFT - High Lift Arm w Large Bucket HI-LIFT - High Lift Arm S HI-LIFT - Super High Lift Arm
 SU - Semi-U Dozer PAT - Power Angle Power Tilt MP - Mulit-Purpose

FORMERLY LISTED REPAIR PARTS ARE AVAILABLE ONLINE AT WWW.HERCULESCA.CA
 OR BY CONTACTING YOUR REGIONAL HERCULES SALES TEAM.

Replacement Kits For

KOMATSU

Crawler Dozers								
APPLICATION	CYL #	SERIAL #	Misc	CODE	ROD	BORE	KIT #	List \$
MODEL D65EX-15								
LIFT	707-02-00270	67001-67430		P-U-14	65 mm	95 mm	KOM-707-98-28640	168.70
	707-02-00270	67001-67430		Bushing	65 mm		KOM-707-52-10660	27.20
	707-02-00271	67431-, 69001-		P-UB-14	65 mm	95 mm	KOM-707-99-25880	186.19
	707-02-00271	67431-, 69001-		Bushing	65 mm		KOM-707-52-90400	26.16
LIFT (LONG TRACK)	707-02-00220	67001-67430		P-U-14	65 mm	95 mm	KOM-707-98-28640	168.70
	707-02-00220	67001-67430		Bushing	65 mm		KOM-707-52-10660	27.20
	707-02-0380	67431-, 69001-		P-UB-14	65 mm	95 mm	KOM-707-99-25880	186.19
RIPPER	707-01-0C850	67001-67319		P-U-14	70 mm	140 mm	KOM-707-98-52220	132.09
	707-01-0C850	67001-67319		Bushing	70 mm		KOM-707-52-10700	27.17
	707-01-0C851	67320-, 69001-		P-UB-14	70 mm	140 mm	KOM-707-99-52170	133.82
TILT/PITCH	707-01-0C300	67001-67430		P-U-14	70 mm	140 mm	KOM-707-98-52210	122.82
	707-01-0C301	67431-, 69001-		P-UB-14	70 mm	140 mm	KOM-707-99-52160	124.60
TRIMMING LH	707-63-0F230	67001-, 69001-		P-UB-14	55 mm	120 mm	KOM-707-99-40120	154.32
TRIMMING RH	707-63-0F240	67001-, 69001-		P-UB-14	55 mm	120 mm	KOM-707-99-40120	154.32
MODEL D65EX-15E0								
LIFT	707-02-00271	69001-		P-UB-14	65 mm	95 mm	KOM-707-99-25880	186.19
	707-02-00271	69001-		Bushing	65 mm		KOM-707-52-90400	26.16
LIFT (LONG TRACK)	707-02-00380	69001-		P-UB-14	65 mm	95 mm	KOM-707-99-25880	186.19
	707-02-00380	69001-		Bushing	65 mm		KOM-707-52-90400	26.16
LIFT (TRIMMING)	707-02-00400	69001-		P-UB-14	65 mm	95 mm	KOM-707-99-25880	186.19
	707-02-00400	69001-		Bushing	65 mm		KOM-707-52-90400	26.16
	707-02-00410	69001-		P-UB-14	65 mm	95 mm	KOM-707-99-25880	186.19
	707-02-00410	69001-		Bushing	65 mm		KOM-707-52-90400	26.16
RIPPER	707-01-0C851	69001-		P-UB-14	70 mm	140 mm	KOM-707-99-52170	133.82
	707-01-0C851	69001-		Bushing	70 mm		KOM-707-52-90470	27.78
TILT/PITCH	707-01-0C301	69001-		P-UB-14	70 mm	140 mm	KOM-707-99-52160	124.60
	707-01-0C301	69001-		Bushing	70 mm		KOM-707-52-90470	27.78
TRIMMING	707-63-0F230	69001-		P-UB-14	55 mm	120 mm	KOM-707-99-40120	154.32
	707-63-0F230	69001-		Bushing	55 mm		KOM-707-52-90300	22.29
	707-63-0F240	69001-		P-UB-14	55 mm	120 mm	KOM-707-99-40120	154.32
	707-63-0F240	69001-		Bushing	55 mm		KOM-707-52-90300	22.29
MODEL D65EX-16								
BLADE ANGLE	707-00-0J361	80001-80742		P-UB-14	65 mm	110 mm	KOM-707-99-36680	214.66
	707-00-0J361	80001-80742		Bushing	65 mm		KOM-707-52-90401	26.16
	707-E0-00041	80743-		P-UB-14	65 mm	110 mm	KOM-707-99-36720	220.30
	707-E0-00041	80743-		Bushing	65 mm		KOM-707-52-90401	26.16
BLADE LIFT LH	707-02-00930	80001-80928		P-UB-14	60 mm	85 mm	KOM-707-99-27110	206.21
	707-02-00930	80001-80928		Bushing	60 mm		KOM-707-52-90351	22.48
	707-02-00970	80001-80928		P-UB-14	60 mm	90 mm	KOM-707-99-27530	199.58
	707-02-00970	80001-80928		Bushing	60 mm		KOM-707-52-90351	22.48
	707-E2-00050	80929-		P-UB-14	60 mm	85 mm	KOM-707-99-27310	202.48
	707-E2-00050	80929-		Bushing	60 mm		KOM-707-52-90351	22.48
	707-E2-00090	80929-		P-UB-14	60 mm	90 mm	KOM-707-99-26730	193.31
	707-E2-00090	80929-		Bushing	60 mm		KOM-707-52-90351	22.48
	707-E2-00180	80001-		Bushing	60 mm		KOM-707-52-90351	22.48
	BLADE LIFT RH	707-02-00940	80001-80928		P-UB-14	60 mm	85 mm	KOM-707-99-27110
707-02-00940		80001-80928		Bushing	60 mm		KOM-707-52-90351	22.48
707-02-00980		80001-80928		P-UB-14	60 mm	90 mm	KOM-707-99-27530	199.58
707-02-00980		80001-80928		Bushing	60 mm		KOM-707-52-90351	22.48
707-E2-00060		80929-		P-UB-14	60 mm	85 mm	KOM-707-99-27310	202.48
707-E2-00060		80929-		Bushing	60 mm		KOM-707-52-90351	22.48
707-E2-00100		80929-		P-UB-14	60 mm	90 mm	KOM-707-99-26730	193.31
707-E2-00100		80929-		Bushing	60 mm		KOM-707-52-90351	22.48
707-E2-00190		80001-		Bushing	60 mm		KOM-707-52-90351	22.48

LT - Large size tire L/S - Loading Shovel SLF - Super Long Front B/H - Backhoe HD - Heavy Duty L BUCKET - Large Bucket
 K-LINK - K-type Linkage Blade LB HI-LIFT - High Lift Arm w Large Bucket HI-LIFT - High Lift Arm S HI-LIFT - Super High Lift Arm
 SU - Semi-U Dozer PAT - Power Angle Power Tilt MP - Multit-Purpose

KOMATSU

Replacement Kits For

Crawler Dozers								
APPLICATION	CYL #	SERIAL #	Misc	CODE	ROD	BORE	KIT #	List \$
MODEL D65EX-16								
BLADE TILT	707-00-0H990	80001-80928		P-UB-14	70 mm	130 mm	KOM-707-99-43730	243.69
	707-00-0H990	80001-80928		Bushing	70 mm		KOM-707-52-90461	12.34
	707-04-00270	80001-80928		P-UB-14	70 mm	125 mm	KOM-707-99-43320	220.45
	707-04-00270	80001-80928		Bushing	70 mm		KOM-707-52-90451	29.53
	707-E0-00030	80929-		P-UB-14	70 mm	130 mm	KOM-707-99-43740	259.08
	707-E0-00030	80929-		Bushing	70 mm		KOM-707-52-90461	12.34
	707-E4-00020	80929-		P-UB-14	70 mm	125 mm	KOM-707-99-43390	256.38
	707-E4-00020	80929-		Bushing	70 mm		KOM-707-52-90451	29.53
PITCH	707-E4-00120	80001-		Bushing	60 mm		KOM-707-52-90351	22.48
	707-04-00270	80001-80928		P-UB-14	70 mm	125 mm	KOM-707-99-43320	220.45
	707-04-00270	80001-80928		Bushing	70 mm		KOM-707-52-90451	29.53
	707-E4-00020	80929-		P-UB-14	70 mm	125 mm	KOM-707-99-43390	256.38
RIPPER	707-E4-00020	80929-		Bushing	70 mm		KOM-707-52-90451	29.53
	707-00-0J370	80001-80928		P-UB-14	70 mm	125 mm	KOM-707-99-43310	268.06
	707-00-0J370	80001-80928		Bushing	70 mm		KOM-707-52-90451	29.53
	707-E0-00050	80001-		P-UB-14	70 mm	125 mm	KOM-707-99-42300	284.87
	707-E0-00050	80001-		Bushing	70 mm		KOM-707-52-90451	29.53
	707-E0-00050	80929-		P-UB-14	70 mm	125 mm	KOM-707-99-42300	284.87
	707-E0-00050	80929-		Bushing	70 mm		KOM-707-52-90451	29.53
	707-E0-00400	80001-		P-UB-14	70 mm	125 mm	KOM-707-99-42310	372.49
707-E0-00400	80001-		Bushing	70 mm		KOM-707-52-90451	29.53	
MODEL D65EX-17								
ANGLE	707-E0-00041	1001-		P-UB-14	65 mm	110 mm	KOM-707-99-36720	220.30
LIFT LH	707-E2-00050	1001-		P-UB-14	60 mm	85 mm	KOM-707-99-27310	202.48
LIFT LH (PAT)	707-E2-00090	1001-		P-UB-14	60 mm	90 mm	KOM-707-99-26730	193.31
LIFT RH	707-E2-00060	1001-		P-UB-14	60 mm	85 mm	KOM-707-99-27310	202.48
LIFT RH (PAT)	707-E2-00100	1001-		P-UB-14	60 mm	90 mm	KOM-707-99-26730	193.31
PITCH	707-E4-00020	1001-		P-UB-14	70 mm	125 mm	KOM-707-99-43390	256.38
RIPPER	707-E0-00050	1001-		P-UB-14	70 mm	125 mm	KOM-707-99-42300	284.87
TILT	707-E4-00020	1001-		P-UB-14	70 mm	125 mm	KOM-707-99-43390	256.38
TILT (PAT)	707-E0-00030	1001-		P-UB-14	70 mm	130 mm	KOM-707-99-43740	259.08
MODEL D65P-12								
LIFT	14X-63-01013	60001-		P-U-14	65 mm	95 mm	KOM-707-98-28600	278.24
TILT	14X-63-01032	60001-		P-U-14	70 mm	140 mm	KOM-707-98-52140	270.15
MODEL D65PX-12								
LIFT	14Y-63-01013	60001-60508		P-U-14	65 mm	95 mm	KOM-707-98-28600	278.24
	14Y-63-01013	60001-60508		Bushing	65 mm		KOM-707-52-10660	27.20
	14Y-63-01014	60509-		P-U-14	65 mm	95 mm	KOM-707-98-28600	278.24
	14Y-63-01014	60509-		Bushing	65 mm		KOM-707-52-10660	27.20
PITCH	707-01-0C301	65582-		P-UB-14	70 mm	140 mm	KOM-707-99-52160	124.60
TILT	707-01-0C300	65582-65590		P-U-14	70 mm	140 mm	KOM-707-98-52210	122.82
	707-01-0C301	65591-		P-UB-14	70 mm	140 mm	KOM-707-99-52160	124.60
TILT/PITCH	14Y-63-01032	60476-65581		P-U-14	70 mm	140 mm	KOM-707-98-52140	270.15
	14Y-63-01032	60476-65581		Bushing	70 mm		KOM-707-52-10700	27.17
	14Y-63-01033	60001-60475		P-U-14	70 mm	140 mm	KOM-707-98-52140	270.15
	14Y-63-01033	60001-60475		Bushing	70 mm		KOM-707-52-10700	27.17
MODEL D65PX-15								
LIFT	707-02-00220	67001-67401		P-U-14	65 mm	95 mm	KOM-707-98-28640	168.70
	707-02-00220	67001-67401		Bushing	65 mm		KOM-707-52-10660	27.20
	707-02-00380	67402-, 69001-		P-UB-14	65 mm	95 mm	KOM-707-99-25880	186.19
	707-02-00380	67402-, 69001-		Bushing	65 mm		KOM-707-52-90400	26.16
TILT/PITCH	707-01-0C300	67001-67401		P-U-14	70 mm	140 mm	KOM-707-98-52210	122.82
	707-01-0C301	67402-, 69001-		P-UB-14	70 mm	140 mm	KOM-707-99-52160	124.60
	707-01-0C301	67402-, 69001-		Bushing	70 mm		KOM-707-52-90470	27.78

LT - Large size tire L/S - Loading Shovel SLF - Super Long Front B/H - Backhoe HD - Heavy Duty L BUCKET - Large Bucket
 K-LINK - K-type Linkage Blade LB HI-LIFT - High Lift Arm w Large Bucket HI-LIFT - High Lift Arm S HI-LIFT - Super High Lift Arm
 SU - Semi-U Dozer PAT - Power Angle Power Tilt MP - Mulit-Purpose

FORMERLY LISTED REPAIR PARTS ARE AVAILABLE ONLINE AT WWW.HERCULESCA.CA
 OR BY CONTACTING YOUR REGIONAL HERCULES SALES TEAM.

KOMATSU

Replacement Kits For

Crawler Dozers									
APPLICATION	CYL #	SERIAL #	Misc	CODE	ROD	BORE	KIT #	List \$	
MODEL D65PX-15E0									
LIFT	707-02-X0380	69001-		P-UB-14	65 mm	95 mm	KOM-707-99-25880	186.19	
	707-02-X0380	69001-		Bushing	65 mm		KOM-707-52-90400	26.16	
	707-02-X0390	69001-		P-UB-14	65 mm	95 mm	KOM-707-99-25880	186.19	
	707-02-X0390	69001-		Bushing	65 mm		KOM-707-52-90400	26.16	
TILT/PITCH	707-01-0C301	69001-		P-UB-14	70 mm	140 mm	KOM-707-99-52160	124.60	
	707-01-0C301	69001-		Bushing	70 mm		KOM-707-52-90470	27.78	
MODEL D65PX-16									
BLADE ANGLE	707-00-0J361	80001-		Bushing	65 mm		KOM-707-52-90401	26.16	
	707-00-0J361	80001-80742		P-UB-14	65 mm	110 mm	KOM-707-99-36680	214.66	
	707-E0-00041	80001-		Bushing	65 mm		KOM-707-52-90401	26.16	
	707-E0-00041	80743-		P-UB-14	65 mm	110 mm	KOM-707-99-36720	220.30	
BLADE LIFT LH	707-02-00950	80001-		P-UB-14	60 mm	85 mm	KOM-707-99-27120	249.42	
	707-02-00950	80001-		Bushing	60 mm		KOM-707-52-90351	22.48	
	707-02-00970	80001-		Bushing	60 mm		KOM-707-52-90351	22.48	
	707-02-00970	80001-80928		P-UB-14	60 mm	90 mm	KOM-707-99-27530	199.58	
	707-E2-00090	80001-		Bushing	60 mm		KOM-707-52-90351	22.48	
	707-E2-00090	80929-		P-UB-14	60 mm	90 mm	KOM-707-99-26730	193.31	
BLADE LIFT RH	707-02-00960	80001-		P-UB-14	60 mm	85 mm	KOM-707-99-27120	249.42	
	707-02-00960	80001-		Bushing	60 mm		KOM-707-52-90351	22.48	
	707-02-00980	80001-		Bushing	60 mm		KOM-707-52-90351	22.48	
	707-02-00980	80001-80928		P-UB-14	60 mm	90 mm	KOM-707-99-27530	199.58	
	707-E2-00100	80001-		Bushing	60 mm		KOM-707-52-90351	22.48	
	707-E2-00100	80929-		P-UB-14	60 mm	90 mm	KOM-707-99-26730	193.31	
BLADE TILT	707-00-0H990	80001-		Bushing	70 mm		KOM-707-52-90461	12.34	
	707-00-0H990	80001-80928		P-UB-14	70 mm	130 mm	KOM-707-99-43730	243.69	
	707-04-00270	80001-		Bushing	70 mm		KOM-707-52-90451	29.53	
	707-04-00270	80001-80928		P-UB-14	70 mm	125 mm	KOM-707-99-43320	220.45	
	707-E0-00030	80001-		Bushing	70 mm		KOM-707-52-90461	12.34	
	707-E0-00030	80929-		P-UB-14	70 mm	130 mm	KOM-707-99-43740	259.08	
	707-E4-00020	80001-		Bushing	70 mm		KOM-707-52-90451	29.53	
	707-E4-00020	80929-		P-UB-14	70 mm	125 mm	KOM-707-99-43390	256.38	
	PITCH	707-04-00270	80001-80928		P-UB-14	70 mm	125 mm	KOM-707-99-43320	220.45
		707-04-00270	80001-80928		Bushing	70 mm		KOM-707-52-90451	29.53
707-E4-00020		80001-		Bushing	70 mm		KOM-707-52-90451	29.53	
707-E4-00020		80929-		P-UB-14	70 mm	125 mm	KOM-707-99-43390	256.38	
MODEL D65PX-17									
ANGLE	707-E0-00041	1001-		P-UB-14	65 mm	110 mm	KOM-707-99-36720	220.30	
LIFT LH	707-E2-00070	1001-		P-UB-14	60 mm	85 mm	KOM-707-99-27320	147.75	
LIFT LH (PAT)	707-E2-00090	1001-		P-UB-14	60 mm	90 mm	KOM-707-99-26730	193.31	
LIFT RH	707-E2-00080	1001-		P-UB-14	60 mm	85 mm	KOM-707-99-27320	147.75	
LIFT RH (PAT)	707-E2-00100	1001-		P-UB-14	60 mm	90 mm	KOM-707-99-26730	193.31	
PITCH	707-E4-00020	1001-		P-UB-14	70 mm	125 mm	KOM-707-99-43390	256.38	
TILT	707-E4-00020	1001-		P-UB-14	70 mm	125 mm	KOM-707-99-43390	256.38	
TILT (PAT)	707-E0-00030	1001-		P-UB-14	70 mm	130 mm	KOM-707-99-43740	259.08	
MODEL D65PX-18									
TRACK ADJUSTER		90001-		TRK ADJ			KOM-SK100141	107.41	
		90001-	kit w/ valve	TRK ADJ			KOM-SK100125	300.14	
MODEL D65WX-17									
ANGLE	707-E0-00041	1001-		P-UB-14	65 mm	110 mm	KOM-707-99-36720	220.30	
LIFT LH	707-E2-00050	1001-		P-UB-14	60 mm	85 mm	KOM-707-99-27310	202.48	
LIFT LH (PAT)	707-E2-00090	1001-		P-UB-14	60 mm	90 mm	KOM-707-99-26730	193.31	
LIFT RH	707-E2-00060	1001-		P-UB-14	60 mm	85 mm	KOM-707-99-27310	202.48	
LIFT RH (PAT)	707-E2-00100	1001-		P-UB-14	60 mm	90 mm	KOM-707-99-26730	193.31	
PITCH	707-E4-00020	1001-		P-UB-14	70 mm	125 mm	KOM-707-99-43390	256.38	
RIPPER	707-E0-00050	1001-		P-UB-14	70 mm	125 mm	KOM-707-99-42300	284.87	

LT - Large size tire L/S - Loading Shovel SLF - Super Long Front B/H - Backhoe HD - Heavy Duty L BUCKET - Large Bucket
 K-LINK - K-type Linkage Blade LB HI-LIFT - High Lift Arm w Large Bucket HI-LIFT - High Lift Arm S HI-LIFT - Super High Lift Arm
 SU - Semi-U Dozer PAT - Power Angle Power Tilt MP - Multit-Purpose

KOMATSU

Replacement Kits For

Crawler Dozers								
APPLICATION	CYL #	SERIAL #	Misc	CODE	ROD	BORE	KIT #	List \$
MODEL D65WX-17								
TILT	707-E4-00020	1001-		P-UB-14	70 mm	125 mm	KOM-707-99-43390	256.38
TILT (PAT)	707-E0-00030	1001-		P-UB-14	70 mm	130 mm	KOM-707-99-43740	259.08
MODEL D75S-5								
BUCKET CLAM (MP)	145-63-59100	15001-		P-U-14	60 mm	140 mm	KOM-707-98-50100	280.82
	145-63-59200	15001-		P-U-14	60 mm	140 mm	KOM-707-98-50100	280.82
DUMP	145-63-32602	15001-		P-U-14	70 mm	150 mm	KOM-707-98-52410	308.66
	145-63-32702	15001-		P-U-14	70 mm	150 mm	KOM-707-98-52410	308.66
DUMP (SCORIA)	145-63-33600	15001-		P-U-5	70 mm	150 mm	KOM-707-98-52420	356.31
	145-63-33700	15001-		P-U-5	70 mm	150 mm	KOM-707-98-52420	356.31
LIFT	145-63-23301	15001-		P-U-14	90 mm	180 mm	KOM-707-98-64420	288.85
	145-63-23401	15001-		P-U-14	90 mm	180 mm	KOM-707-98-64420	288.85
LIFT (SCORIA)	145-63-23800	15001-		P-U-14	90 mm	180 mm	KOM-707-98-64450	275.50
	145-63-23900	15001-		P-U-14	90 mm	180 mm	KOM-707-98-64450	275.50
SIDE DUMP	145-63-97101	15001-		P-U-5	60 mm	110 mm	KOM-707-99-36410	223.89
MODEL D85A-21								
BLADE LIFT	154-63-02010	36534-		P-U-14	70 mm	110 mm	KOM-707-98-37580	92.47
	154-63-02010	36534-		Bushing	70 mm		KOM-07177-07030	29.53
BLADE LIFT (A)	154-63-02010	35001-		P-U-14	70 mm	110 mm	KOM-707-98-37580	92.47
BLADE LIFT (E)	154-63-02050	35001-		P-U-14	70 mm	110 mm	KOM-707-98-37580	92.47
MODEL D85A-21, D85E-21								
LIFT	154-63-02010	35001-		P-U-14	70 mm	110 mm	KOM-707-98-37580	92.47
MAP TILT	154-63-02120	35001-		P-U-14	70 mm	140 mm	KOM-707-98-52110	366.93
	154-63-02130	35001-		P-U-14	70 mm	140 mm	KOM-707-98-52110	366.93
RIPPER	154-63-02081	35001-		P-U-14	70 mm	140 mm	KOM-707-98-52110	366.93
TILT	154-63-02070	35001-		P-U-14	80 mm	160 mm	KOM-707-98-62120	282.25
MODEL D85E-21								
BLADE LIFT (A)	154-63-02010	35001-		P-U-14	70 mm	110 mm	KOM-707-98-37580	92.47
BLADE LIFT (E)	154-63-02050	35001-		P-U-14	70 mm	110 mm	KOM-707-98-37580	92.47
MODEL D85P-21								
TILT	154-63-02070	3001-		P-U-14	80 mm	160 mm	KOM-707-98-62120	282.25
MODEL D95S-2								
DUMP	155-63-32104	2001-2129		P-U-5	75 mm	160 mm	KOM-707-98-61110	378.83
	155-63-32204	2001-2129		P-U-5	75 mm	160 mm	KOM-707-98-61110	378.83
LIFT	155-63-22501	2112-		P-U-14	90 mm	180 mm	KOM-707-98-64450	275.50
	155-63-22601	2112-		P-U-14	90 mm	180 mm	KOM-707-98-64450	275.50
MODEL D155A-3, D155AX-3								
DUAL TILT	17A-63-02190	60001-		P-U-14	90 mm	200 mm	KOM-707-98-71020	484.17
	17A-63-02190	60001-		Bushing	90 mm		KOM-707-52-10910	53.65
LIFT	17A-63-01210	60001-		P-U-14	75 mm	120 mm	KOM-707-98-44200	504.12
	17A-63-01210	60001-		Bushing	75 mm		KOM-707-52-10750	37.33
RIPPER LIFT	17A-63-02140	60001-		P-U-14	80 mm	160 mm	KOM-707-98-62131	661.35
RIPPER TILT	17A-63-02160	60001-		P-U-14	80 mm	160 mm	KOM-707-98-62131	661.35
TILT	17A-63-02130	60001-		P-U-14	90 mm	180 mm	KOM-707-98-64410	285.61
	17A-63-02130	60001-		Bushing	90 mm		KOM-707-52-10910	53.65
MODEL D155AX-5								
DUAL TILT	17A-63-02190	70001-		P-U-14	90 mm	200 mm	KOM-707-98-71020	484.17
	17A-63-02190	70001-		Bushing	90 mm		KOM-707-52-10910	53.65
LIFT	17A-63-02110	70001-		P-U-14	75 mm	120 mm	KOM-707-98-44200	504.12
	17A-63-02110	70001-		Bushing	75 mm		KOM-707-52-10750	37.33
PIN PULLER	15A-63-02080	70001-		P-U-10	30 mm	60 mm	KOM-707-98-11070	117.94
RIPPER LIFT	17A-63-02140	70001-		P-U-14	80 mm	160 mm	KOM-707-98-62131	661.35
RIPPER TILT	17A-63-02160	70001-		P-U-14	80 mm	160 mm	KOM-707-98-62131	661.35
TILT	17A-63-02110	70001-		P-U-14	90 mm	180 mm	KOM-707-98-64410	285.61
MODEL D155AX-6								
BLADE LIFT LH	707-02-00660	80001-		P-UB-14	75 mm	110 mm	KOM-707-99-38740	101.18
	707-02-00660	80001-		Bushing	75 mm		KOM-707-52-90500	32.68

LT - Large size tire L/S - Loading Shovel SLF - Super Long Front B/H - Backhoe HD - Heavy Duty L BUCKET - Large Bucket
 K-LINK - K-type Linkage Blade LB HI-LIFT - High Lift Arm w Large Bucket HI-LIFT - High Lift Arm S HI-LIFT - Super High Lift Arm
 SU - Semi-U Dozer PAT - Power Angle Power Tilt MP - Mult-Purpose

FORMERLY LISTED REPAIR PARTS ARE AVAILABLE ONLINE AT WWW.HERCULESCA.CA
 OR BY CONTACTING YOUR REGIONAL HERCULES SALES TEAM.

Replacement Kits For

KOMATSU

Crawler Dozers								
APPLICATION	CYL #	SERIAL #	Misc	CODE	ROD	BORE	KIT #	List \$
MODEL D155AX-6								
BLADE LIFT RH	707-02-00670	80001-		P-UB-14	75 mm	110 mm	KOM-707-99-38740	101.18
	707-02-00670	80001-		Bushing	75 mm		KOM-707-52-90500	32.68
BLADE TILT	707-04-00190	80001-		P-UB-14	90 mm	160 mm	KOM-707-99-64230	201.37
	707-04-00190	80001-		Bushing	90 mm		KOM-707-52-90680	44.23
	707-04-00200	80001-		P-UB-14	90 mm	160 mm	KOM-707-99-64230	201.37
	707-04-00200	80001-		Bushing	90 mm		KOM-707-52-90680	44.23
	707-04-00220	80001-		P-UB-14	90 mm	160 mm	KOM-707-99-64230	201.37
	707-04-00220	80001-		Bushing	90 mm		KOM-707-52-90680	44.23
	707-04-00240	80001-		P-UB-14	90 mm	160 mm	KOM-707-99-64250	201.37
PIN PULLER	707-04-00240	80001-		Bushing	90 mm		KOM-707-52-90680	44.23
	707-04-00210	80001-		P-U-3	30 mm	60 mm	KOM-707-98-11350	83.27
RIPPER LIFT	707-04-00210	80001-		Bushing	30 mm		KOM-07177-03025	8.93
	707-01-0K410	80001-		P-UB-14	100 mm	180 mm	KOM-707-99-66660	200.15
RIPPER TILT	707-01-0K410	80001-		Bushing	100 mm		KOM-707-52-90780	50.23
	707-01-0K420	80001-		P-UB-14	110 mm	200 mm	KOM-707-99-74200	334.42
TRACK ADJUSTER	707-01-0K420	80001-		Bushing	110 mm		KOM-707-52-90850	55.25
		81028-81701	kit w/ valve	TRK ADJ			KOM-SK100126	485.79
		81028-81701		TRK ADJ			KOM-SK100142	187.82
MODEL D155AX-7								
TRACK ADJUSTER		90001-		TRK ADJ			KOM-SK100142	187.82
		90001-	kit w/ valve	TRK ADJ			KOM-SK100126	485.79
MODEL D155AX-8								
TRACK ADJUSTER		100001-		TRK ADJ			KOM-SK100142	187.82
		100001-	kit w/ valve	TRK ADJ			KOM-SK100149	176.99
MODEL D275A-2								
BLADE LIFT	17M-63-01011	10001-		P-U-14	80 mm	130 mm	KOM-707-98-45620	388.38
BLADE TILT	17M-63-01031	10001-		P-U-14	100 mm	200 mm	KOM-707-98-73020	384.37
DUAL TILT	17M-63-01081	10001-		P-U-14	100 mm	200 mm	KOM-707-98-73020	384.37
	17M-63-01091	10001-		P-U-14	100 mm	225 mm	KOM-707-98-73400	426.52
PIN PULLER	175-63-02080	10001-		P-U-10	30 mm	60 mm	KOM-707-98-11020	82.22
RIPPER LIFT	17M-63-01041	10001-		P-U-14	100 mm	200 mm	KOM-707-98-73010	419.76
RIPPER TILT	17M-63-01061	10001-		P-U-14	90 mm	180 mm	KOM-707-98-64400	160.79
MODEL D275A-5								
BLADE LIFT	707-02-00200	25001-		P-UB-14	80 mm	120 mm	KOM-707-99-45310	159.02
BLADE TILT	707-01-0C160	25001-		P-UB-14	100 mm	180 mm	KOM-707-99-66600	220.72
RIPPER LIFT	707-01-0C170	25001-		P-UB-14	100 mm	180 mm	KOM-707-99-66610	196.11
	707-01-0C180	25001-		P-UB-14	100 mm	180 mm	KOM-707-99-66610	196.11
RIPPER TILT	707-01-0C190	25001-		P-UB-14	90 mm	160 mm	KOM-707-99-64200	215.32
	707-01-0C200	25001-		P-UB-14	90 mm	160 mm	KOM-707-99-64200	215.32
MODEL D375A-2								
LIFT	195-63-01420	16001-		P-U-14	90 mm	150 mm	KOM-707-98-56610	298.87
PIN PULLER	175-63-02080	16001-		P-U-10	30 mm	60 mm	KOM-707-98-11020	82.22
RIPPER LIFT	195-63-01440	16001-		P-U-14	110 mm	225 mm	KOM-707-98-74400	782.61
	195-63-01450	16001-		P-U-14	110 mm	225 mm	KOM-707-98-74400	782.61
RIPPER TILT	195-63-01501	16001-		P-U-14	110 mm	200 mm	KOM-707-98-74100	567.09
	195-63-01601	16001-		P-U-14	110 mm	200 mm	KOM-707-98-74100	567.09
MODEL D375A-3								
LIFT	195-63-01410	17001-17607		P-U-14	90 mm	150 mm	KOM-707-98-56610	298.87
	195-63-01410	17001-17607		Bushing	90 mm		KOM-07177-09035	47.41
	195-63-01413	17608-		P-UB-14	90 mm	150 mm	KOM-707-99-56510	206.74
	195-63-01413	17608-		Bushing	90 mm		KOM-707-52-90650	51.52
	195-63-01420	17001-		P-U-14	90 mm	150 mm	KOM-707-98-56610	298.87
PIN PULLER	195-63-01420	17001-		Bushing	90 mm		KOM-07177-09035	47.41
	175-63-02080	17001-		P-U-10	30 mm	60 mm	KOM-707-98-11020	82.22
	175-63-02080	17001-		Bushing	30 mm		KOM-707-52-15050	8.93

LT - Large size tire L/S - Loading Shovel SLF - Super Long Front B/H - Backhoe HD - Heavy Duty L BUCKET - Large Bucket
 K-LINK - K-type Linkage Blade LB HI-LIFT - High Lift Arm w Large Bucket HI-LIFT - High Lift Arm S HI-LIFT - Super High Lift Arm
 SU - Semi-U Dozer PAT - Power Angle Power Tilt MP - Multi-Purpose

KOMATSU

Replacement Kits For

KOMATSU

Crawler Dozers								
APPLICATION	CYL #	SERIAL #	Misc	CODE	ROD	BORE	KIT #	List \$
MODEL D375A-3								
RIPPER LIFT LH	195-63-01440	17001-17607		P-U-14	110 mm	225 mm	KOM-707-98-74400	782.61
	195-63-01440	17001-17607		Bushing	110 mm		KOM-07177-01135	55.25
	195-63-01441	17608-		P-UB-14	110 mm	225 mm	KOM-707-99-74440	406.30
	195-63-01441	17608-		Bushing	110 mm		KOM-707-52-90850	55.25
RIPPER LIFT RH	195-63-01450	17001-17607		P-U-14	110 mm	225 mm	KOM-707-98-74400	782.61
	195-63-01450	17001-17607		Bushing	110 mm		KOM-07177-01135	55.25
	195-63-01451	17608-		P-UB-14	110 mm	225 mm	KOM-707-99-74440	406.30
	195-63-01451	17608-		Bushing	110 mm		KOM-707-52-90850	55.25
RIPPER TILT LH	195-63-01501	17001-17607		P-U-14	110 mm	200 mm	KOM-707-98-74100	567.09
	195-63-01501	17001-17607		Bushing	110 mm		KOM-07177-01135	55.25
	195-63-45502	17608-		P-UB-14	110 mm	200 mm	KOM-707-99-74020	372.59
	195-63-45502	17608-		Bushing	110 mm		KOM-707-52-90850	55.25
RIPPER TILT RH	195-63-01601	17001-17607		P-U-14	110 mm	200 mm	KOM-707-98-74100	567.09
	195-63-01601	17001-17607		Bushing	110 mm		KOM-07177-01135	55.25
	195-63-45602	17608-		P-UB-14	110 mm	200 mm	KOM-707-99-74020	372.59
	195-63-45602	17608-		Bushing	110 mm		KOM-707-52-90850	55.25
TILT	195-63-53401	17001-17607		P-U-14	110 mm	225 mm	KOM-707-98-74410	552.98
	195-63-53401	17001-17607		Bushing	110 mm		KOM-07177-01135	55.25
	195-63-53402	17608-17695		P-UB-14	110 mm	225 mm	KOM-707-99-74450	358.25
	195-63-53402	17608-17695		Bushing	110 mm		KOM-707-52-90850	55.25
	707-01-0Z390	17696-		P-UB-14	110 mm	225 mm	KOM-707-99-74450	358.25
	707-01-0Z390	17696-		Bushing	110 mm		KOM-707-52-90850	55.25
TILT (LH Pitch)	195-63-01311	17001-17607		P-U-14	110 mm	225 mm	KOM-707-98-74410	552.98
	195-63-01311	17001-17607		Bushing	110 mm		KOM-707-52-11110	105.97
	195-63-01312	17608-17703		P-UB-14	110 mm	225 mm	KOM-707-99-74450	358.25
	195-63-01312	17608-17703		Bushing	110 mm		KOM-707-52-90850	55.25
	707-01-0Z410	17704-		P-UB-14	110 mm	225 mm	KOM-707-99-74450	358.25
	707-01-0Z410	17704-		Bushing	110 mm		KOM-707-52-90850	55.25
TILT (RH Pitch)	195-63-01321	17001-17607		P-U-14	110 mm	250 mm	KOM-707-98-81010	578.96
	195-63-01321	17001-17607		Bushing	110 mm		KOM-707-52-11110	105.97
	195-63-01322	17608-17703		P-UB-14	110 mm	250 mm	KOM-707-99-81010	470.39
	195-63-01322	17608-17703		Bushing	110 mm		KOM-707-52-90850	55.25
	707-01-0Z420	17704-		P-UB-14	110 mm	250 mm	KOM-707-99-81010	470.39
	707-01-0Z420	17704-		Bushing	110 mm		KOM-707-52-90850	55.25
MODEL D375A-5								
BLADE LIFT	195-63-01413	18001-		P-UB-14	90 mm	150 mm	KOM-707-99-56510	206.74
	195-63-01413	18001-		Bushing	90 mm		KOM-707-52-90650	51.52
BLADE TILT	195-63-53402	18001-		P-UB-14	110 mm	225 mm	KOM-707-99-74450	358.25
	707-01-0Z390	18001-		P-UB-14	110 mm	225 mm	KOM-707-99-74450	358.25
BLADE TILT (LH Pitch)	195-63-01312	18001-		P-UB-14	110 mm	225 mm	KOM-707-99-74450	358.25
	707-01-0Z410	18001-		P-UB-14	110 mm	225 mm	KOM-707-99-74450	358.25
BLADE TILT (RH Pitch)	195-63-01322	18001-		P-UB-14	110 mm	250 mm	KOM-707-99-81010	470.39
	707-01-0Z420	18001-		P-UB-14	110 mm	250 mm	KOM-707-99-81010	470.39
PIN PULLER	175-63-02080	18001-		P-U-10	30 mm	60 mm	KOM-707-98-11020	82.22
	175-63-02080	18001-		Bushing	30 mm		KOM-07177-03025	8.93
RIPPER LIFT LH	195-63-01441	18001-18151		P-UB-14	110 mm	225 mm	KOM-707-99-74440	406.30
	195-63-01443	18152-		P-UB-14	110 mm	225 mm	KOM-707-99-74440	406.30
RIPPER LIFT RH	195-63-01451	18001-18151		P-UB-14	110 mm	225 mm	KOM-707-99-74440	406.30
	195-63-01453	18152-		P-UB-14	110 mm	225 mm	KOM-707-99-74440	406.30
RIPPER TILT LH	195-63-45502	18001-18151		P-UB-14	110 mm	200 mm	KOM-707-99-74020	372.59
	195-63-45503	18152-		P-UB-14	110 mm	200 mm	KOM-707-99-74020	372.59
RIPPER TILT RH	195-63-45602	18001-18151		P-UB-14	110 mm	200 mm	KOM-707-99-74020	372.59
	195-63-45603	18152-		P-UB-14	110 mm	200 mm	KOM-707-99-74020	372.59
MODEL D375A-6								
DOZER BLADE LIFT LH	707-03-00340	60001-		P-UB-14	90 mm	140 mm	KOM-707-99-56240	212.97

LT - Large size tire L/S - Loading Shovel SLF - Super Long Front B/H - Backhoe HD - Heavy Duty L BUCKET - Large Bucket
 K-LINK - K-type Linkage Blade LB HI-LIFT - High Lift Arm w Large Bucket HI-LIFT - High Lift Arm S HI-LIFT - Super High Lift Arm
 SU - Semi-U Dozer PAT - Power Angle Power Tilt MP - Multi-Purpose

FORMERLY LISTED REPAIR PARTS ARE AVAILABLE ONLINE AT WWW.HERCULESCA.CA
 OR BY CONTACTING YOUR REGIONAL HERCULES SALES TEAM.

Replacement Kits For

KOMATSU

Crawler Dozers								
APPLICATION	CYL #	SERIAL #	Misc	CODE	ROD	BORE	KIT #	List \$
MODEL D375A-6								
DOZER BLADE LIFT LH	707-03-00340	60001-		Bushing	90 mm		KOM-707-52-90651	51.52
DOZER BLADE LIFT RH	707-03-00350	60001-		P-UB-14	90 mm	140 mm	KOM-707-99-56240	212.97
	707-03-00350	60001-		Bushing	90 mm		KOM-707-52-90651	51.52
DOZER BLADE TILT	707-01-0AY40	60001-		P-UB-14	110 mm	200 mm	KOM-707-99-74230	371.26
	707-01-0AY40	60001-		Bushing	110 mm		KOM-707-52-90851	55.25
	707-01-0AY50	60001-		P-UB-14	110 mm	200 mm	KOM-707-99-74230	371.26
	707-01-0AY50	60001-		Bushing	110 mm		KOM-707-52-90851	55.25
PIN PULLER	707-04-07200	60014-		P-U-3	30 mm	60 mm	KOM-707-98-11350	83.27
	707-04-07200	60014-		Bushing	30 mm		KOM-707-52-15050	8.93
	707-04-X0070	60001-		P-U-3	30 mm	60 mm	KOM-707-98-11350	83.27
	707-04-X0070	60001-		Bushing	30 mm		KOM-707-52-15050	8.93
RIPPER LIFT LH	707-01-0AY20	60001-		P-UB-14	110 mm	200 mm	KOM-707-99-74240	412.70
	707-01-0AY20	60001-		Bushing	110 mm		KOM-707-52-90851	55.25
RIPPER LIFT RH	707-01-0AY30	60001-		P-UB-14	110 mm	200 mm	KOM-707-99-74240	412.70
	707-01-0AY30	60001-		Bushing	110 mm		KOM-707-52-90851	55.25
RIPPER TILT LH	707-01-0AY60	60001-		P-UB-14	110 mm	180 mm	KOM-707-99-67700	349.89
RIPPER TILT RH	707-01-0AY70	60001-		P-UB-14	110 mm	180 mm	KOM-707-99-67700	349.89
MODEL D475A-2								
TILT	198-63-02130	10201-		P-U-14	140 mm	250 mm	KOM-707-98-84011	788.40
MODEL D475A-3								
BLADE TILT	198-63-02131	10601-		P-U-14	140 mm	250 mm	KOM-707-98-84011	788.40
DUAL TILT	198-63-02131	10601-		P-U-14	140 mm	250 mm	KOM-707-98-84011	788.40
MODEL D475A-3 SD								
BLADE TILT	198-63-02230	10601-		P-U-14	140 mm	250 mm	KOM-707-98-84011	788.40
DUAL TILT	198-63-02230	10601-		P-U-14	140 mm	250 mm	KOM-707-98-84011	788.40
MODEL D475A-5								
BLADE LIFT	707-03-00150	20001-20120		P-UB-14	110 mm	180 mm	KOM-707-99-67640	334.71
	707-03-00150	20001-20120		Bushing	110 mm		KOM-707-52-90850	55.25
	707-03-00152	20121-		P-UB-14	110 mm	180 mm	KOM-707-99-67640	334.71
BLADE TILT	707-01-0X760	20001-		P-UB-14	140 mm	250 mm	KOM-707-99-84200	487.13
	707-01-0X990	20001-		P-UB-14	140 mm	250 mm	KOM-707-99-84200	487.13
PIN PULLER	707-04-00070	20001-		P-U-3	30 mm	60 mm	KOM-707-98-11350	83.27
	707-04-00070	20001-		Bushing	30 mm		KOM-07177-03025	8.93
RIPPER LIFT	707-01-0F540	20001-20121		P-UB-14	120 mm	225 mm	KOM-707-99-75600	358.05
	707-01-0F540	20001-20121		Bushing	120 mm		KOM-707-52-90980	84.31
	707-01-0F541	20122-		P-UB-14	120 mm	225 mm	KOM-707-99-75600	358.05
	707-01-0F541	20122-		Bushing	120 mm		KOM-707-52-90980	84.31
RIPPER TILT	707-01-0F560	20001-		P-UB-14	140 mm	225 mm	KOM-707-99-77620	388.31
MODEL D475A-5E0								
BLADE LIFT	707-03-00152	30001-30146		P-UB-14	110 mm	180 mm	KOM-707-99-67640	334.71
	707-03-00152	30147-		P-UB-14	110 mm	180 mm	KOM-707-99-67640	334.71
BLADE TILT	707-01-0X760	30001-30146		P-UB-14	140 mm	250 mm	KOM-707-99-84200	487.13
	707-01-0X760	30147-		P-UB-14	140 mm	250 mm	KOM-707-99-84200	487.13
PIN PULLER	707-04-00070	30001-		P-U-3	30 mm	60 mm	KOM-707-98-11350	83.27
	707-04-00070	30001-		Bushing	30 mm		KOM-707-52-15050	8.93
	707-04-07200	30150-		P-U-3	30 mm	60 mm	KOM-707-98-11350	83.27
	707-04-07200	30150-		Bushing	30 mm		KOM-707-52-15050	8.93
	707-04-X0070	30147-		P-U-3	30 mm	60 mm	KOM-707-98-11350	83.27
	707-04-X0070	30147-		Bushing	30 mm		KOM-707-52-15050	8.93
RIPPER LIFT	707-01-0F541	30001-30146		P-UB-14	120 mm	225 mm	KOM-707-99-75600	358.05
	707-01-0F541	30001-30146		Bushing	120 mm		KOM-707-52-90980	84.31
	707-01-0F541	30147-		P-UB-14	120 mm	225 mm	KOM-707-99-75600	358.05
	707-01-0F541	30147-		Bushing	120 mm		KOM-707-52-90981	84.31
RIPPER TILT	707-01-0F560	30001-30146		P-UB-14	140 mm	225 mm	KOM-707-99-77620	388.31
	707-01-0F560	30147-		P-UB-14	140 mm	225 mm	KOM-707-99-77620	388.31

LT - Large size tire L/S - Loading Shovel SLF - Super Long Front B/H - Backhoe HD - Heavy Duty L BUCKET - Large Bucket
 K-LINK - K-type Linkage Blade LB HI-LIFT - High Lift Arm w Large Bucket HI-LIFT - High Lift Arm S HI-LIFT - Super High Lift Arm
 SU - Semi-U Dozer PAT - Power Angle Power Tilt MP - Mult-Purpose

Replacement Kits For

KOMATSU

KOMATSU

Crawler Dozers								
APPLICATION	CYL #	SERIAL #	Misc	CODE	ROD	BORE	KIT #	List \$
MODEL D475ASD-5E0								
BLADE LIFT	707-03-00152	30001-		P-UB-14	110 mm	180 mm	KOM-707-99-67640	334.71
BLADE TILT	707-01-0X990	30001-		P-UB-14	140 mm	250 mm	KOM-707-99-84200	487.13
PIN PULLER	707-04-00070	30001-		P-U-3	30 mm	60 mm	KOM-707-98-11350	83.27
	707-04-00070	30001-		Bushing	30 mm		KOM-707-52-15050	8.93
RIPPER LIFT	707-01-0F541	30001-		P-UB-14	120 mm	225 mm	KOM-707-99-75600	358.05
	707-01-0F541	30001-		Bushing	120 mm		KOM-707-52-90980	84.31
RIPPER TILT	707-01-0F560	30001-		P-UB-14	140 mm	225 mm	KOM-707-99-77620	388.31
Dump Trucks - Articulated								
APPLICATION	CYL #	SERIAL #	Misc	CODE	ROD	BORE	KIT #	List \$
MODEL HM300-1								
HOIST	707-09-00030	1001-		P-U-14	80,120 mm	100,140 mm	KOM-707-99-54140	190.99
	707-09-00030	1001-		Bushing	80 mm		KOM-07177-08035	35.02
	707-09-00030	1001-		Bushing	120 mm		KOM-07177-01235	58.61
STEERING	707-00-0C781	1001-		P-U-14	70 mm	110 mm	KOM-707-98-37680	179.03
	707-00-0C781	1001-		Bushing	70 mm		KOM-707-52-10700	27.17
SUSPENSION FRONT	56D-50-13100	1001-1188		P-U-1	110 mm	150 mm	KOM-56D-50-13100K	130.71
	56D-50-13100	1001-1188		Bushing	110 mm		KOM-07177-01135	55.25
	56D-50-13101	1189-1484		P-UB-1	110 mm	150 mm	KOM-56D-50-13101K	137.41
	56D-50-13101	1189-1484		Bushing	110 mm		KOM-07177-01135	55.25
	56D-50-13102	1485-1584		P-UB-1	110 mm	150 mm	KOM-56D-50-13102K	320.75
	56D-50-13102	1485-1584		Bushing	110 mm		KOM-07177-01135	55.25
SUSPENSION REAR	56D-50-13103	1585-		P-UB-1	110 mm	150 mm	KOM-56D-50-13103K	320.75
	56D-50-14100	1001-1188		P-U-1	110 mm	150 mm	KOM-56D-50-14100K	130.71
	56D-50-14100	1001-1188		Bushing	110 mm		KOM-07177-01135	55.25
	56D-50-14101	1189-1484		P-UB-1	110 mm	150 mm	KOM-56D-50-14101K	137.41
	56D-50-14101	1189-1484		Bushing	110 mm		KOM-07177-01135	55.25
	56D-50-14102	1485-1584		P-UB-1	110 mm	150 mm	KOM-56D-50-14102K	320.75
56D-50-14102	1485-1584		Bushing	110 mm		KOM-07177-01135	55.25	
56D-50-14103	1585-		P-UB-1	110 mm	150 mm	KOM-56D-50-14103K	320.75	
MODEL HM300-1L								
HOIST	707-09-07041	A10001-		P-U-14	80,120 mm	100,140 mm	KOM-707-99-54140	190.99
	707-09-07041	A10001-		Bushing	120 mm		KOM-07177-01235	58.61
	707-09-07041	A10001-		Bushing	80 mm		KOM-07177-08035	35.02
STEERING	707-00-0C782	A10001-		P-U-14	70 mm	110 mm	KOM-707-99-37620	194.73
	707-00-0C782	A10001-		Bushing	70 mm		KOM-707-52-10700	27.17
SUSPENSION FRONT	56D-50-13100	A10001-		P-U-1	110 mm	150 mm	KOM-56D-50-13100K	130.71
	56D-50-13100	A10001-		Bushing	110 mm		KOM-07177-01135	55.25
SUSPENSION REAR	56D-50-14100	A10001-A10019		P-U-1	110 mm	150 mm	KOM-56D-50-14100K	130.71
	56D-50-14100	A10001-A10019		Bushing	110 mm		KOM-07177-01135	55.25
	56D-50-14101	A10020-		P-UB-1	110 mm	150 mm	KOM-56D-50-14101K	137.41
	56D-50-14101	A10020-		Bushing	110 mm		KOM-07177-01135	55.25
MODEL HM300-2								
HOIST	707-09-00031	2001-2784		P-U-14	80,120 mm	100,140 mm	KOM-707-99-54150	292.23
	707-09-00031	2001-2784		Bushing	80 mm		KOM-07177-08035	35.02
	707-09-00031	2001-2784		Bushing	120 mm		KOM-07177-01235	58.61
	707-09-00031	2785-		P-U-14	80,120 mm	100,140 mm	KOM-707-99-54150	292.23
	707-09-00031	2785-		Bushing	120 mm		KOM-07177-01235	58.61
	707-09-00031	2785-		Bushing	80 mm		KOM-07177-08035	35.02
	707-09-00031	A11001-		P-U-14	80,120 mm	100,140 mm	KOM-707-99-54150	292.23
	707-09-00031	A11001-		Bushing	80 mm		KOM-07177-08035	35.02
	707-09-00031	A11001-		Bushing	120 mm		KOM-07177-01235	58.61

LT - Large size tire L/S - Loading Shovel SLF - Super Long Front B/H - Backhoe HD - Heavy Duty L BUCKET - Large Bucket
 K-LINK - K-type Linkage Blade LB HI-LIFT - High Lift Arm w Large Bucket HI-LIFT - High Lift Arm S HI-LIFT - Super High Lift Arm
 SU - Semi-U Dozer PAT - Power Angle Power Tilt MP - Mult-Purpose

FORMERLY LISTED REPAIR PARTS ARE AVAILABLE ONLINE AT WWW.HERCULESCA.CA
 OR BY CONTACTING YOUR REGIONAL HERCULES SALES TEAM.

Replacement Kits For

KOMATSU

Dump Trucks - Articulated								
APPLICATION	CYL #	SERIAL #	Misc	CODE	ROD	BORE	KIT #	List \$
MODEL HM300-2								
STEERING	707-00-0C782	2001-2784		P-U-14	70 mm	110 mm	KOM-707-99-37620	194.73
	707-00-0C782	2001-2784		Bushing	70 mm		KOM-707-52-10700	27.17
	707-00-0C782	2785-		P-U-14	70 mm	110 mm	KOM-707-99-37620	194.73
	707-00-0C782	2785-		Bushing	70 mm		KOM-707-52-10701	27.17
	707-00-0C782	A11001-		P-U-14	70 mm	110 mm	KOM-707-99-37620	194.73
	707-00-0C782	A11001-		Bushing	70 mm		KOM-707-52-10701	27.17
SUSPENSION FRONT	56D-50-13102	2001-2588		P-UB-1	110 mm	150 mm	KOM-56D-50-13102K	320.75
	56D-50-13102	2001-2588		Bushing	110 mm		KOM-07177-01135	55.25
	56D-50-13103	2589-2784		P-UB-1	110 mm	150 mm	KOM-56D-50-13103K	320.75
	56D-50-13103	2785-		P-UB-1	110 mm	150 mm	KOM-56D-50-13103K	320.75
	56D-50-13103	A11001-		P-UB-1	110 mm	150 mm	KOM-56D-50-13103K	320.75
	56D-50-26100	2589-2784		P-UB-1	110 mm	150 mm	KOM-56D-50-26100K	320.75
	56D-50-26100	2785-		P-UB-1	110 mm	150 mm	KOM-56D-50-26100K	320.75
	56D-50-26100	2785-		P-UB-1	110 mm	150 mm	KOM-56D-50-26100K	320.75
SUSPENSION REAR	56D-50-14102	2001-2588		P-UB-1	110 mm	150 mm	KOM-56D-50-14102K	320.75
	56D-50-14102	2001-2588		Bushing	110 mm		KOM-07177-01135	55.25
	56D-50-14103	2589-2784		P-UB-1	110 mm	150 mm	KOM-56D-50-14103K	320.75
	56D-50-14103	2785-		P-UB-1	110 mm	150 mm	KOM-56D-50-14103K	320.75
	56D-50-14103	A11001-		P-UB-1	110 mm	150 mm	KOM-56D-50-14103K	320.75
	56D-50-26200	2589-2784		P-UB-1	110 mm	150 mm	KOM-56D-50-26200K	320.75
	56D-50-26200	2785-		P-UB-1	110 mm	150 mm	KOM-56D-50-26200K	320.75
	56D-50-26200	2785-		P-UB-1	110 mm	150 mm	KOM-56D-50-26200K	320.75
MODEL HM300-3								
HOIST LH	707-E0-00130	3001-		P-U-14	80 mm	110 mm	KOM-707-98-39700	210.07
	707-E0-00130	3001-		Bushing	80 mm		KOM-707-52-15540	35.02
HOIST RH	707-E0-00140	3001-		P-U-14	80 mm	110 mm	KOM-707-98-39700	210.07
	707-E0-00140	3001-		Bushing	80 mm		KOM-707-52-15540	35.02
STEERING	707-E0-00120	3001-		P-U-14	70 mm	105 mm	KOM-707-98-37300	201.33
SUSPENSION FRONT LH	56D-50-33000	3001-		P-UB-1	110 mm	150 mm	KOM-56D-50-33000K	320.75
SUSPENSION FRONT RH	56D-50-35000	3001-		P-UB-1	110 mm	150 mm	KOM-56D-50-35000K	320.75
SUSPENSION REAR	56D-50-34000	3001-		P-UB-1	110 mm	150 mm	KOM-56D-50-34000K	320.75
MODEL HM400-1								
HOIST	707-09-07074	1350-		P-U-14	90, 140 mm	120 mm	KOM-707-99-64152	477.20
	707-09-07074	1350-		Bushing	140 mm		KOM-07177-01435	123.79
	707-09-07074	1350-		Bushing	90 mm		KOM-07177-09040	51.52
	707-09-16022	1001-1079		P-U-14	90, 140 mm	120, 160 mm	KOM-707-99-64150	329.69
	707-09-16022	1001-1079		Bushing	140 mm		KOM-07177-01435	123.79
	707-09-16022	1001-1079		Bushing	90 mm		KOM-07177-09040	51.52
	707-09-16024	1080-1349		P-U-14	90, 140 mm	120 mm	KOM-707-99-64152	477.20
	707-09-16024	1080-1349		Bushing	140 mm		KOM-07177-01435	123.79
	707-09-16024	1080-1349		Bushing	90 mm		KOM-07177-09040	51.52
	STEERING LH	707-00-07E60	1005-1456		P-U-14	70 mm	120 mm	KOM-707-98-43260
707-00-07E60		1005-1456		Bushing	70 mm		KOM-707-52-10700	27.17
707-00-0G620		1457-		P-U-14	70 mm	120 mm	KOM-707-99-43170	253.46
707-00-0G620		1457-		Bushing	70 mm		KOM-707-52-10700	27.17
721-00-12053		1001-1004		P-U-14	70 mm	120 mm	KOM-707-98-43260	196.76
721-00-12053		1001-1004		Bushing	70 mm		KOM-707-52-10700	27.17
STEERING RH	707-00-07E70	1005-1456		P-U-14	70 mm	120 mm	KOM-707-98-43260	196.76
	707-00-07E70	1005-1456		Bushing	70 mm		KOM-707-52-10700	27.17
	707-00-0G630	1457-		P-U-14	70 mm	120 mm	KOM-707-99-43170	253.46
	707-00-0G630	1457-		Bushing	70 mm		KOM-707-52-10700	27.17
	721-00-12063	1001-1004		P-U-14	70 mm	120 mm	KOM-707-98-43260	196.76
	721-00-12063	1001-1004		Bushing	70 mm		KOM-707-52-10700	27.17
SUSPENSION FRONT	56B-50-13002	1001-1243		P-U-1	140 mm	180 mm	KOM-56B-50-13002K	366.46
	56B-50-13002	1001-1243		Bushing	140 mm		KOM-07177-01440	120.53

LT - Large size tire L/S - Loading Shovel SLF - Super Long Front B/H - Backhoe HD - Heavy Duty L BUCKET - Large Bucket
 K-LINK - K-type Linkage Blade LB HI-LIFT - High Lift Arm w Large Bucket HI-LIFT - High Lift Arm S HI-LIFT - Super High Lift Arm
 SU - Semi-U Dozer PAT - Power Angle Power Tilt MP - Multi-Purpose

Replacement Kits For

KOMATSU

KOMATSU

Dump Trucks - Articulated									
APPLICATION	CYL #	SERIAL #	Misc	CODE	ROD	BORE	KIT #	List \$	
MODEL HM400-1									
SUSPENSION FRONT	56B-50-13003	1244-1447		P-UB-1	140 mm	180 mm	KOM-56B-50-13003K	556.38	
	56B-50-13003	1244-1447		Bushing	140 mm		KOM-07177-01440	120.53	
	56B-50-13004	1448-1743		P-UB-1	140 mm	180 mm	KOM-56B-50-13004K	556.38	
	56B-50-13004	1448-1743		Bushing	140 mm		KOM-07177-01440	120.53	
	56B-50-13005	1744-		P-UB-1	140 mm	180 mm	KOM-56B-50-13005K	556.38	
	56B-50-16100	1110-1243		P-U-1	140 mm	180 mm	KOM-56B-50-16100K	366.46	
	56B-50-16100	1110-1243		Bushing	140 mm		KOM-07177-01440	120.53	
	56B-50-16101	1244-1447		P-UB-1	140 mm	180 mm	KOM-56B-50-16101K	556.38	
	56B-50-16101	1244-1447		Bushing	140 mm		KOM-07177-01440	120.53	
	56B-50-16102	1448-1743		P-UB-1	140 mm	180 mm	KOM-56B-50-16102K	556.38	
	56B-50-16102	1448-1743		Bushing	140 mm		KOM-07177-01440	120.53	
	56B-50-16103	1744-		P-UB-1	140 mm	180 mm	KOM-56B-50-16103K	556.38	
	SUSPENSION REAR	56B-50-14000	1001-1243		P-U-1	140 mm	180 mm	KOM-56B-50-14000K	366.46
		56B-50-14000	1001-1243		Bushing	140 mm		KOM-07177-01440	120.53
56B-50-14001		1244-1447		P-UB-1	140 mm	180 mm	KOM-56B-50-14001K	556.38	
56B-50-14001		1244-1447		Bushing	140 mm		KOM-07177-01440	120.53	
56B-50-14002		1448-1743		P-UB-1	140 mm	180 mm	KOM-56B-50-14002K	556.38	
56B-50-14002		1448-1743		Bushing	140 mm		KOM-07177-01440	120.53	
56B-50-14003		1744-		P-UB-1	140 mm	180 mm	KOM-56B-50-14003K	556.38	
56B-50-16201		1244-1447		P-UB-1	140 mm	180 mm	KOM-56B-50-16201K	556.38	
56B-50-16201		1244-1447		Bushing	140 mm		KOM-07177-01440	120.53	
56B-50-16202		1448-1743		P-UB-1	140 mm	180 mm	KOM-56B-50-16202K	556.38	
56B-50-16202		1448-1743		Bushing	140 mm		KOM-07177-01440	120.53	
56B-50-16203		1744-		P-UB-1	140 mm	180 mm	KOM-56B-50-16203K	556.38	
MODEL HM400-1L									
HOIST		707-09-16024	A10001-		P-U-14	90, 140 mm	120, 160 mm	KOM-707-99-64150	329.69
	707-09-16024	A10001-		Bushing	140 mm		KOM-07177-01435	123.79	
	707-09-16024	A10001-		Bushing	90 mm		KOM-07177-09040	51.52	
STEERING LH	707-00-07E60	A10001-		P-U-14	70 mm	120 mm	KOM-707-98-43260	196.76	
	707-00-07E60	A10001-		Bushing	70 mm		KOM-707-52-10700	27.17	
STEERING RH	707-00-07E70	A10001-		P-U-14	70 mm	120 mm	KOM-707-98-43260	196.76	
	707-00-07E70	A10001-		Bushing	70 mm		KOM-707-52-10700	27.17	
SUSPENSION FRONT	56B-50-13002	A10001-		P-U-1	140 mm	180 mm	KOM-56B-50-13002K	366.46	
	56B-50-13002	A10001-		Bushing	140 mm		KOM-07177-01440	120.53	
SUSPENSION REAR	56B-50-14001	A10001-		P-UB-1	140 mm	180 mm	KOM-56B-50-14001K	556.38	
	56B-50-14001	A10001-		Bushing	140 mm		KOM-07177-01440	120.53	
MODEL HM400-2									
HOIST	707-09-00080	2448-		P-U-14	90, 140 mm	120 mm	KOM-707-99-64180	485.12	
	707-09-07074	2001-2447		P-U-14	90, 140 mm	120 mm	KOM-707-99-64152	477.20	
	707-09-07100	2448-		P-U-14	90, 140 mm	120 mm	KOM-707-99-64180	485.12	
	707-09-16024	2001-2447		P-U-14	90, 140 mm	120 mm	KOM-707-99-64152	477.20	
STEERING LH	707-00-0X420	2001-		P-U-14	70 mm	120 mm	KOM-707-99-43170	253.46	
	721-00-0G620	2001-		P-U-14	70 mm	120 mm	KOM-707-99-43170	253.46	
STEERING RH	707-00-0X430	2001-		P-U-14	70 mm	120 mm	KOM-707-99-43170	253.46	
	721-00-0G630	2001-		P-U-14	70 mm	120 mm	KOM-707-99-43170	253.46	
MODEL HM400-3									
CAB TILT	707-E0-00110	3001-		P-U-10	25 mm	45 mm	KOM-707-98-02420	121.08	
HOIST LH	707-E0-00160	3001-		P-U-14	95 mm	135 mm	KOM-707-98-48700	341.41	
	707-E0-00160	3001-		Bushing	95 mm		KOM-707-52-10951	53.46	
HOIST RH	707-E0-00170	3001-		P-U-14	95 mm	135 mm	KOM-707-98-48700	341.41	
	707-E0-00170	3001-		Bushing	95 mm		KOM-707-52-10951	53.46	

LT - Large size tire L/S - Loading Shovel SLF - Super Long Front B/H - Backhoe HD - Heavy Duty L BUCKET - Large Bucket
 K-LINK - K-type Linkage Blade LB HI-LIFT - High Lift Arm w Large Bucket HI-LIFT - High Lift Arm S HI-LIFT - Super High Lift Arm
 SU - Semi-U Dozer PAT - Power Angle Power Tilt MP - Mult-Purpose

FORMERLY LISTED REPAIR PARTS ARE AVAILABLE ONLINE AT WWW.HERCULESCA.CA
 OR BY CONTACTING YOUR REGIONAL HERCULES SALES TEAM.

KOMATSU

Replacement Kits For

Dump Trucks - Articulated								
APPLICATION	CYL #	SERIAL #	Misc	CODE	ROD	BORE	KIT #	List \$
MODEL HM400-3								
STEERING LH	707-E0-00230	3001-		P-UB-14	70 mm	120 mm	KOM-707-99-42170	272.79
	707-E0-00230	3001-		Bushing	70 mm		KOM-707-52-90461	12.34
STEERING RH	707-E0-00240	3001-		P-UB-14	70 mm	120 mm	KOM-707-99-42170	272.79
	707-E0-00240	3001-		Bushing	70 mm		KOM-707-52-90461	12.34
SUSPENSION FRONT LH	56B-50-33000	3001-		P-UB-1	160 mm		KOM-56B-50-33000K	483.75
SUSPENSION FRONT RH	56B-50-35000	3001-		P-UB-1	160 mm		KOM-56B-50-35000K	483.75
SUSPENSION REAR	56B-50-34000	3001-		P-UB-1	110 mm	150 mm	KOM-56B-50-34000K	327.43
Excavators								
APPLICATION	CYL #	SERIAL #	Misc	CODE	ROD	BORE	KIT #	List \$
MODEL PC12R-8								
ARM	20M-63-02121	10001-		P-U-14	30 mm	50 mm	KOM-707-98-04640	113.08
BOOM SWING	20M-63-02140	10001-		P-U-14	30 mm	60 mm	KOM-707-98-11310	62.50
BUCKET	20M-63-02130	10001-		P-U-14	30 mm	50 mm	KOM-707-98-04640	113.08
MODEL PC15R-8								
ARM	20W-63-02121	10001-		P-U-14	35 mm	55 mm	KOM-707-98-13960	43.94
BLADE	20W-63-02150	10001-		P-U-14	35 mm	70 mm	KOM-707-98-12660	90.19
BOOM (Cab)	20W-63-02160	10001-		P-U-14	35 mm	60 mm	KOM-707-98-12330	87.85
BOOM (Canopy)	20W-63-02111	10001-		P-U-14	35 mm	60 mm	KOM-707-98-12330	87.85
BOOM (Swing)	20M-63-02140	10001-		P-U-14	30 mm	60 mm	KOM-707-98-11310	62.50
BUCKET	20M-63-02130	10001-		P-U-14	30 mm	50 mm	KOM-707-98-04640	113.08
MODEL PC20-7								
ARM	20N-63-02222	35001-37000		P-U-14	40 mm	70 mm	KOM-707-98-14610	89.78
BLADE LIFT	20N-63-02251	35001-		P-U-14	35 mm	70 mm	KOM-707-98-12410	89.78
BUCKET	20P-63-02130	42355-		P-U-14	35 mm	60 mm	KOM-707-98-12310	87.85
	20P-63-02131	35001-		P-U-14	35 mm	60 mm	KOM-707-98-12310	87.85
MODEL PC20MRX-1								
ARM	22K-63-02131	10001-		P-U-14	40 mm	70 mm	KOM-707-98-14610	89.78
MODEL PC20R-8								
ARM	20N-63-02523	10001-		P-U-14	40 mm	65 mm	KOM-707-98-14830	64.00
BLADE LIFT (MAPI)	20N-63-02011	10001-		P-U-14	35 mm	70 mm	KOM-707-98-12410	89.78
MODEL PC25R-8								
ARM	20P-63-02522	10001-		P-U-14	40 mm	70 mm	KOM-707-98-14610	89.78
BLADE	20P-63-02451	10001-		P-U-14	40 mm	70 mm	KOM-707-98-12670	89.78
BLADE LIFT	20N-63-02271	10001-		P-U-14	35 mm	70 mm	KOM-707-98-12410	89.78
BOOM (Cab)	20P-63-02512	10001-		P-U-14	45 mm	75 mm	KOM-707-98-24890	228.07
BOOM (Canopy)	20P-63-02502	10001-		P-U-14	45 mm	75 mm	KOM-707-98-24890	228.07
BOOM SWING	20P-63-02541	10001-		P-U-14	40 mm	80 mm	KOM-707-98-23130	135.73
MODEL PC27MR-2								
ARM	707-00-0F460	15001-		P-U-14	40 mm	65 mm	KOM-707-98-14910	64.06
BLADE LIFT	707-00-0E550	15001-		P-U-14	45 mm	85 mm	KOM-707-98-24930	104.86
BOOM	707-00-0F450	15001-		P-U-14	45 mm	75 mm	KOM-707-98-23890	84.01
BOOM SWING	707-00-0F480	15001-		P-U-14	40 mm	75 mm	KOM-707-98-22890	83.27
BUCKET	707-00-0F470	15001-		P-U-14	35 mm	55 mm	KOM-707-98-13990	123.54
MODEL PC27MRX-1								
ARM	22L-63-02230	10001-10878		P-U-14	40 mm	70 mm	KOM-707-98-14610	89.78
	22L-63-02231	10879-		P-U-14	40 mm	70 mm	KOM-707-98-14610	89.78
BLADE	21U-63-02451	10001-		P-U-14	40 mm	80 mm	KOM-707-98-22180	82.60
BOOM	22L-63-02112	10001-		P-U-14	45 mm	75 mm	KOM-707-98-24890	228.07
	22L-63-02113	10001-		P-U-14	45 mm	75 mm	KOM-707-98-24890	228.07
	22L-63-02122	10001-		P-U-14	45 mm	75 mm	KOM-707-98-24890	228.07
	22L-63-02123	10001-		P-U-14	45 mm	75 mm	KOM-707-98-24890	228.07
BOOM (Cab)	707-00-75330	10001-		P-U-14	45 mm	75 mm	KOM-707-98-24890	228.07
	707-00-75331	10001-		P-U-14	45 mm	75 mm	KOM-707-98-24890	228.07
BOOM SWING	721-00-80500	10001-		P-U-14	40 mm	80 mm	KOM-707-98-23130	135.73
BOOM SWING (Cab)	22L-63-86242	10001-		P-U-14	40 mm	80 mm	KOM-707-98-23130	135.73

LT - Large size tire L/S - Loading Shovel SLF - Super Long Front B/H - Backhoe HD - Heavy Duty L BUCKET - Large Bucket
 K-LINK - K-type Linkage Blade LB HI-LIFT - High Lift Arm w Large Bucket HI-LIFT - High Lift Arm S HI-LIFT - Super High Lift Arm
 SU - Semi-U Dozer PAT - Power Angle Power Tilt MP - Mult-Purpose

KOMATSU

Replacement Kits For

KOMATSU

Excavators								
APPLICATION	CYL #	SERIAL #	Misc	CODE	ROD	BORE	KIT #	List \$
MODEL PC27MRX-1								
BOOM SWING (Canopy)	22L-63-86142	10001-		P-U-14	40 mm	80 mm	KOM-707-98-23130	135.73
BUCKET	21U-63-02480	10001-		P-U-14	40 mm	70 mm	KOM-707-98-14610	89.78
	22L-63-02240	10001-		P-U-14	35 mm	60 mm	KOM-707-98-12310	87.85
MODEL PC27R-8								
ARM	20P-63-02522	10001-		P-U-14	40 mm	70 mm	KOM-707-98-14610	89.78
BLADE	20P-63-02552	10001-		P-U-14	40 mm	70 mm	KOM-707-98-12670	89.78
BLADE LIFT	20P-63-02140	10001-		P-U-14	35 mm	70 mm	KOM-707-98-12410	89.78
BOOM (Cab)	20P-63-02512	10001-		P-U-14	45 mm	75 mm	KOM-707-98-24890	228.07
BOOM (Canopy)	20P-63-02502	10001-		P-U-14	45 mm	75 mm	KOM-707-98-24890	228.07
BOOM (Swing)	20P-63-02541	10001-		P-U-14	40 mm	80 mm	KOM-707-98-23130	135.73
BUCKET	20P-63-02531	10001-		P-U-14	35 mm	60 mm	KOM-707-98-12310	87.85
MODEL PC30MRX-1								
BLADE	20U-63-02451	10001-		P-U-14	40 mm	80 mm	KOM-707-98-22180	82.60
BOOM (Cab)	707-00-75330	10001-		P-U-14	45 mm	75 mm	KOM-707-98-24890	228.07
BOOM (Canopy)	707-00-75320	10001-		P-U-14	45 mm	75 mm	KOM-707-98-24890	228.07
BOOM SWING (Cab)	721-00-80500	10001-		P-U-14	40 mm	80 mm	KOM-707-98-23130	135.73
BOOM SWING (Canopy)	721-00-80400	10001-		P-U-14	40 mm	80 mm	KOM-707-98-23130	135.73
BUCKET	20U-63-02432	10001-		P-U-14	40 mm	65 mm	KOM-707-98-14830	64.00
MODEL PC35MR-2								
ARM	707-00-0E570	5001-		P-U-14	45 mm	75 mm	KOM-707-98-23870	91.30
BLADE ANGLE	707-00-0G340	5001-		P-U-14	35 mm	60 mm	KOM-707-98-13220	65.69
BLADE LIFT	707-00-0E590	5001-		P-U-14	45 mm	95 mm	KOM-707-98-24770	79.30
	707-00-0F370	5001-		P-U-14	45 mm	95 mm	KOM-707-98-24770	79.30
BOOM	707-00-0E560	5001-		P-U-14	45 mm	80 mm	KOM-707-98-24330	96.73
BOOM SWING	707-00-0E580	5001-		P-U-14	50 mm	95 mm	KOM-707-98-29630	130.82
BUCKET	707-00-0E530	5001-		P-U-14	40 mm	65 mm	KOM-707-98-14930	133.01
MODEL PC35MRX-1A								
ARM	22F-63-02121	1001-		P-U-14	45 mm	75 mm	KOM-707-98-23810	91.22
BLADE	22F-63-02152	1001-		P-U-14	45 mm	95 mm	KOM-707-98-24610	79.23
BOOM	22F-63-02112	3930-		P-U-14	45 mm	80 mm	KOM-707-98-24281	90.74
BOOM SWING	22F-63-02142	1001-1008		P-U-14	50 mm	95 mm	KOM-707-98-29661	114.83
	22F-63-02143	1009-		P-U-14	50 mm	95 mm	KOM-707-98-29661	114.83
BUCKET	20S-63-02423	3930-		P-U-14	40 mm	65 mm	KOM-707-98-14830	64.00
MODEL PC35R-8								
ARM	20S-63-02414	35001-		P-U-14	45 mm	75 mm	KOM-707-98-23810	91.22
BUCKET	20S-63-02423	35001-		P-U-14	40 mm	65 mm	KOM-707-98-14830	64.00
MODEL PC40MR-1, PC40MRX-1								
ARM	22M-63-02122	1001-5500		P-U-14	50 mm	80 mm	KOM-707-98-25250	120.07
	707-00-0C460	5501-		P-U-14	50 mm	80 mm	KOM-707-98-25350	120.21
BLADE	22N-63-02153	1001-5500		P-UB-14	50 mm	105 mm	KOM-707-98-32810	279.78
	707-00-0C500	5501-		P-U-14	50 mm	105 mm	KOM-707-98-32900	127.62
BOOM (Cab)	22N-63-02112	1001-5500		P-U-14	50 mm	90 mm	KOM-707-98-25560	109.98
	707-00-0C450	5501-		P-U-14	50 mm	90 mm	KOM-707-98-25700	110.09
BOOM (Canopy)	22N-63-02102	1001-5500	PC40MR-1	P-U-14	50 mm	90 mm	KOM-707-98-25560	109.98
	707-00-0C440	5501-	PC40MR-1	P-U-14	50 mm	90 mm	KOM-707-98-25700	110.09
BOOM SWING	22M-63-02142	1001-5500		P-UB-14	50 mm	90 mm	KOM-707-98-25520	226.83
	707-00-0C490	5501-		P-U-14	50 mm	90 mm	KOM-707-98-25710	104.02
BUCKET	20T-63-02425	1001-5500		P-U-14	45 mm	70 mm	KOM-707-98-15690	66.02
	20T-63-02524	1001-5500		P-U-14	50 mm	75 mm	KOM-707-98-25910	107.88
	707-00-0C470	5501-		P-U-14	45 mm	70 mm	KOM-707-98-15740	66.18
	707-00-0C480	5501-		P-U-14	50 mm	75 mm	KOM-707-98-25970	108.09
MODEL PC40MR-2								
ARM	707-00-0E650	8001-		P-U-14	50 mm	80 mm	KOM-707-98-25350	120.21
BLADE	707-00-0E640	8001-		P-U-14	50 mm	110 mm	KOM-707-98-32550	117.83
BLADE (PAT)	707-00-0F400	8001-		P-U-14	55 mm	115 mm	KOM-707-98-34670	131.56

LT - Large size tire L/S - Loading Shovel SLF - Super Long Front B/H - Backhoe HD - Heavy Duty L BUCKET - Large Bucket
 K-LINK - K-type Linkage Blade LB HI-LIFT - High Lift Arm w Large Bucket HI-LIFT - High Lift Arm S HI-LIFT - Super High Lift Arm
 SU - Semi-U Dozer PAT - Power Angle Power Tilt MP - Multi-Purpose

FORMERLY LISTED REPAIR PARTS ARE AVAILABLE ONLINE AT WWW.HERCULESCA.CA
 OR BY CONTACTING YOUR REGIONAL HERCULES SALES TEAM.

Replacement Kits For

KOMATSU

Excavators								
APPLICATION	CYL #	SERIAL #	Misc	CODE	ROD	BORE	KIT #	List \$
MODEL PC40MR-2								
BOOM	707-00-0E600	8001-		P-U-14	50 mm	90 mm	KOM-707-98-29500	170.61
BOOM SWING	707-00-0E630	8001-		P-U-14	50 mm	90 mm	KOM-707-98-29510	119.92
BUCKET	707-00-0E610	8001-		P-U-14	45 mm	70 mm	KOM-707-98-15760	72.08
MODEL PC40R-8								
ARM	20T-63-02414	30001-		P-U-14	50 mm	80 mm	KOM-707-98-25250	120.07
BLADE	20T-63-02441	30001-		P-U-14	50 mm	100 mm	KOM-707-98-32120	235.53
BOOM	20T-63-02402	30001-		P-U-14	50 mm	90 mm	KOM-707-98-25560	109.98
BOOM SWING	20T-63-02433	30001-		P-UB-14	50 mm	90 mm	KOM-707-98-25520	226.83
BUCKET	20T-63-02425	30001-		P-U-14	45 mm	70 mm	KOM-707-98-15690	66.02
MODEL PC45-1								
ARM	20T-63-02310	1001-		P-U-14	50 mm	85 mm	KOM-707-98-25820	140.55
BLADE	20T-63-02231	1001-		P-U-14	50 mm	100 mm	KOM-707-98-32120	235.53
BLADE LIFT	20T-63-02260	1001-		P-UB-14	50 mm	105 mm	KOM-707-98-32810	279.78
BLADE TILT	20U-63-02090	1001-		P-U-14	45 mm	90 mm	KOM-707-98-24550	98.36
BOOM	20T-63-02300	1001-		P-U-14	55 mm	95 mm	KOM-707-98-34140	123.10
BOOM SWING	20T-63-02330	1001-		P-U-14	50 mm	95 mm	KOM-707-98-25620	114.75
BUCKET	20T-63-02320	1001-		P-UB-14	50 mm	80 mm	KOM-707-98-25110	87.66
MODEL PC45MR-3								
ARM	707-00-0H710	5001-		P-U-14	45 mm	70 mm	KOM-707-98-15770	72.08
BLADE	707-00-0H720	5001-		P-U-14	50 mm	110 mm	KOM-707-98-32570	117.83
BLADE (PAT)	707-00-0F400	5001-		P-U-14	55 mm	115 mm	KOM-707-98-34670	131.56
BLADE TILT	707-00-0G490	5001-		P-U-14	40 mm	70 mm	KOM-707-98-14770	61.52
BOOM	707-00-0H690	5001-		P-U-14	50 mm	90 mm	KOM-707-98-25750	110.11
	707-00-0H700	5001-		P-U-14	50 mm	80 mm	KOM-707-98-26300	120.09
BOOM SWING	707-00-0H660	5001-		P-U-14	50 mm	90 mm	KOM-707-98-25760	119.92
MODEL PC45MRX-1								
ARM	22N-63-02121	1001-3000		P-U-14	50 mm	85 mm	KOM-707-98-25830	140.39
	707-00-0C540	3001-		P-U-14	50 mm	85 mm	KOM-707-98-25870	225.37
BLADE	22N-63-02153	1001-3000		P-UB-14	50 mm	105 mm	KOM-707-98-32810	279.78
	707-00-0C500	3001-		P-U-14	50 mm	105 mm	KOM-707-98-32900	127.62
BOOM SWING	22N-63-02142	1001-3000		P-U-14	50 mm	95 mm	KOM-707-98-29661	114.83
	707-00-0C570	3001-		P-U-14	50 mm	95 mm	KOM-707-98-29620	114.97
BUCKET	20T-63-02524	1001-3000		P-U-14	50 mm	75 mm	KOM-707-98-25910	107.88
	707-00-0C480	3001-		P-U-14	50 mm	75 mm	KOM-707-98-25970	108.09
SLIDE	707-00-0C580	2240-		P-U-14	45 mm	75 mm	KOM-707-98-23860	87.50
MODEL PC45R-8								
ARM	20T-63-02514	5001-		P-U-14	50 mm	85 mm	KOM-707-98-25830	140.39
BOOM	20T-63-02402	5001-		P-U-14	50 mm	90 mm	KOM-707-98-25560	109.98
MODEL PC50MR-2								
ANGLE	707-00-0G490	5001-		P-U-14	40 mm	70 mm	KOM-707-98-14770	61.52
ARM	707-00-0E620	5001-		P-U-14	50 mm	85 mm	KOM-707-98-25870	225.37
BLADE	707-00-0E640	5001-		P-U-14	50 mm	110 mm	KOM-707-98-32550	117.83
	707-00-0F400	5001-		P-U-14	55 mm	115 mm	KOM-707-98-34670	131.56
BOOM	707-00-0E600	5001-		P-U-14	50 mm	90 mm	KOM-707-98-29500	170.61
BOOM SWING	707-00-0E670	5001-		P-U-14	50 mm	95 mm	KOM-707-98-29640	130.82
BUCKET	707-00-0E660	5001-		P-U-14	50 mm	75 mm	KOM-707-98-25980	113.99
MODEL PC50UU-2								
ARM	20U-63-02312	10835-12761	EU	P-U-14	55 mm	90 mm	KOM-707-98-26620	113.81
	20U-63-02312	8001-12771		P-U-14	55 mm	90 mm	KOM-707-98-26620	113.81
	20U-63-02313	12762-12799	EU	P-U-14	55 mm	90 mm	KOM-707-98-26620	113.81
	20U-63-02313	12772-14992		P-U-14	55 mm	90 mm	KOM-707-98-26620	113.81
	20U-63-02314	12800-	EU	P-U-14	55 mm	90 mm	KOM-707-98-26620	113.81
	20U-63-02314	14993-		P-U-14	55 mm	90 mm	KOM-707-98-26620	113.81
ARM (Mono Boom)	20T-63-02310	8001-14992		P-U-14	50 mm	85 mm	KOM-707-98-25820	140.55
	20U-63-02460	14993-		P-U-14	50 mm	85 mm	KOM-707-98-25820	140.55

LT - Large size tire L/S - Loading Shovel SLF - Super Long Front B/H - Backhoe HD - Heavy Duty L BUCKET - Large Bucket
 K-LINK - K-type Linkage Blade LB HI-LIFT - High Lift Arm w Large Bucket HI-LIFT - High Lift Arm S HI-LIFT - Super High Lift Arm
 SU - Semi-U Dozer PAT - Power Angle Power Tilt MP - Mult-Purpose

Replacement Kits For

KOMATSU

KOMATSU

Excavators								
APPLICATION	CYL #	SERIAL #	Misc	CODE	ROD	BORE	KIT #	List \$
MODEL PC50UU-2								
BLADE	20U-63-02250	10835-12799	EU	P-U-14	50 mm	100 mm	KOM-707-98-32120	235.53
	20U-63-02250	8001-14992		P-U-14	50 mm	100 mm	KOM-707-98-32120	235.53
	20U-63-02251	12800-	EU	P-U-14	50 mm	100 mm	KOM-707-98-32120	235.53
	20U-63-02251	14993-18000		P-U-14	50 mm	100 mm	KOM-707-98-32120	235.53
	20U-63-02270	10835-12799	EU	P-UB-14	50 mm	105 mm	KOM-707-98-32810	279.78
	20U-63-02270	8001-14992		P-UB-14	50 mm	105 mm	KOM-707-98-32810	279.78
	20U-63-02271	12800-	EU	P-UB-14	50 mm	105 mm	KOM-707-98-32810	279.78
	20U-63-02271	14993-18000		P-UB-14	50 mm	105 mm	KOM-707-98-32810	279.78
	20U-63-02380	8001-14992		P-U-14	60 mm	110 mm	KOM-707-98-35520	92.83
	20U-63-02381	14993-		P-U-14	60 mm	110 mm	KOM-707-98-35520	92.83
	20U-63-02650	18001-		P-U-14	50 mm	100 mm	KOM-707-98-32120	235.53
	20U-63-02660	18001-		P-UB-14	50 mm	105 mm	KOM-707-98-32810	279.78
BOOM	20U-63-02201	10835-12761	EU	P-U-14	55 mm	100 mm	KOM-707-98-34120	156.11
	20U-63-02201	8001-12771		P-U-14	55 mm	100 mm	KOM-707-98-34120	156.11
	20U-63-02202	12762-12799	EU	P-U-14	55 mm	100 mm	KOM-707-98-34180	108.30
	20U-63-02202	12772-14992		P-U-14	55 mm	100 mm	KOM-707-98-34180	108.30
	20U-63-02203	12800-	EU	P-U-14	55 mm	100 mm	KOM-707-98-34180	108.30
20U-63-02203	14993-		P-U-14	55 mm	100 mm	KOM-707-98-34180	108.30	
BOOM (Mono Boom)	20U-63-02300	8001-14992		P-U-14	55 mm	100 mm	KOM-707-98-34120	156.11
	20U-63-02301	14993-		P-U-14	55 mm	100 mm	KOM-707-98-34120	156.11
BUCKET	20U-63-02221	10835-12799	EU	P-UB-14	50 mm	80 mm	KOM-707-98-25110	87.66
	20U-63-02221	8001-14992		P-UB-14	50 mm	80 mm	KOM-707-98-25110	87.66
	20U-63-02222	12800-	EU	P-UB-14	50 mm	80 mm	KOM-707-98-25110	87.66
	20U-63-02222	14993-		P-UB-14	50 mm	80 mm	KOM-707-98-25110	87.66
	20U-63-02281	12800-	EU	P-UB-14	50 mm	80 mm	KOM-707-98-25110	87.66
	20U-63-02281	14993-		P-UB-14	50 mm	80 mm	KOM-707-98-25110	87.66
	20U-63-02320	10835-12799	EU	P-UB-14	50 mm	80 mm	KOM-707-98-25110	87.66
	20U-63-02320	8001-14992		P-UB-14	50 mm	80 mm	KOM-707-98-25110	87.66
	20U-63-02470	16328-		P-UB-14	50 mm	80 mm	KOM-707-98-25110	87.66
OFFSET	20U-63-02230	10835-12799	EU	P-UB-14	50 mm	90 mm	KOM-707-98-25520	226.83
	20U-63-02230	8001-14992		P-UB-14	50 mm	90 mm	KOM-707-98-25520	226.83
	20U-63-02231	12800-	EU	P-UB-14	50 mm	90 mm	KOM-707-98-25520	226.83
	20U-63-02231	14993-		P-UB-14	50 mm	90 mm	KOM-707-98-25520	226.83
SLIDE	20T-63-02290	8617-		P-U-14	45 mm	75 mm	KOM-707-98-24820	88.45
SLIDE ARM	20U-63-02392	10835-12761	EU	P-U-14	35 mm	60 mm	KOM-707-98-12320	60.38
	20U-63-02392	8001-12771		P-U-14	35 mm	60 mm	KOM-707-98-12320	60.38
	20U-63-02393	12762-12799	EU	P-U-14	35 mm	60 mm	KOM-707-98-12320	60.38
	20U-63-02393	12772-14992		P-U-14	35 mm	60 mm	KOM-707-98-12320	60.38
	20U-63-02394	12800-	EU	P-U-14	35 mm	60 mm	KOM-707-98-12320	60.38
	20U-63-02394	14993-		P-U-14	35 mm	60 mm	KOM-707-98-12320	60.38
TILT	20U-63-02090	8001-14992		P-U-14	45 mm	90 mm	KOM-707-98-24550	98.36
	20U-63-02091	14993-18000		P-U-14	45 mm	90 mm	KOM-707-98-24550	98.36
	20U-63-02670	18001-		P-U-14	45 mm	90 mm	KOM-707-98-24550	98.36
MODEL PC60-7								
ARM	201-63-02312	45001-52273		P-UB-14	60 mm	100 mm	KOM-707-99-35230	349.15
BOOM	201-63-02302	45001-52273		P-UB-14	65 mm	115 mm	KOM-707-99-36630	412.57
BUCKET	201-63-02322	45001-52273		P-UB-14	55 mm	90 mm	KOM-707-99-26640	391.40
MODEL PC60U-5								
ARM	201-63-02050	4501-		P-U-14	60 mm	90 mm	KOM-707-98-27500	232.78
BLADE	201-63-02070	4501-		P-U-14	60 mm	100 mm	KOM-707-98-35130	264.00
	201-63-02080	4501-		P-U-14	60 mm	100 mm	KOM-707-98-35130	264.00
BOOM	201-63-02040	4501-		P-U-14	65 mm	100 mm	KOM-707-99-36260	269.40
BUCKET	201-63-02030	4501-		P-U-14	55 mm	90 mm	KOM-707-98-26520	134.73
MODEL PC75UU-2								
ARM	21W-63-02141	5001-		P-U-14	65 mm	110 mm	KOM-707-98-36600	108.90

LT - Large size tire L/S - Loading Shovel SLF - Super Long Front B/H - Backhoe HD - Heavy Duty L BUCKET - Large Bucket
 K-LINK - K-type Linkage Blade LB HI-LIFT - High Lift Arm w Large Bucket HI-LIFT - High Lift Arm S HI-LIFT - Super High Lift Arm
 SU - Semi-U Dozer PAT - Power Angle Power Tilt MP - Mult-Purpose

FORMERLY LISTED REPAIR PARTS ARE AVAILABLE ONLINE AT WWW.HERCULESCA.CA
 OR BY CONTACTING YOUR REGIONAL HERCULES SALES TEAM.

Replacement Kits For

KOMATSU

Excavators								
APPLICATION	CYL #	SERIAL #	Misc	CODE	ROD	BORE	KIT #	List \$
MODEL PC75UU-2								
ARM	21W-63-02220	7075-7345		P-U-14	60 mm	100 mm	KOM-21W-63-02220K	90.60
	21W-63-02221	7346-		P-U-14	60 mm	100 mm	KOM-21W-63-02221K	90.60
BLADE	21W-63-02051	5001-		P-U-14	70 mm	130 mm	KOM-707-98-43510	380.66
BOOM	21W-63-02131	5001-10370		P-U-14	70 mm	120 mm	KOM-707-98-43200	129.21
	21W-63-02310	10371-		P-U-14	70 mm	120 mm	KOM-707-98-43210	115.34
BOOM (Mono Boom)	21W-63-02210	7075-		P-U-14	70 mm	120 mm	KOM-707-98-43200	129.21
BUCKET	21W-63-02151	5001-		P-UB-14	55 mm	90 mm	KOM-707-98-26580	232.93
BUCKET (Mono Boom)	20X-63-02220	7075-		P-U-14	55 mm	90 mm	KOM-707-99-26620	337.52
BUCKET (Slide Arm)	21W-63-02290	5001-		P-UB-14	55 mm	90 mm	KOM-707-98-26580	232.93
OFFSET	21W-63-02161	5001-		P-U-14	55 mm	110 mm	KOM-707-98-34560	117.97
SLIDE ARM	21W-63-02280	5001-10370		P-U-14	45 mm	75 mm	KOM-707-98-24830	77.25
	21W-63-02281	10371-		P-U-14	45 mm	75 mm	KOM-707-98-24830	77.25
MODEL PC75UU-3								
ARM	21W-63-02322	15001-		P-U-14	65 mm	110 mm	KOM-707-98-36630	99.29
BLADE	21W-63-02051	15001-19000		P-U-14	70 mm	130 mm	KOM-707-98-43510	380.66
	21W-63-02052	19001-		P-U-14	70 mm	130 mm	KOM-707-98-43510	380.66
BOOM	21W-63-02360	15001-		P-U-14	70 mm	120 mm	KOM-707-98-43210	115.34
BOOM OFFSET	21W-63-02161	15001-		P-U-14	55 mm	110 mm	KOM-707-98-34560	117.97
BUCKET	21W-63-02330	15001-		P-UB-14	55 mm	90 mm	KOM-707-98-26580	232.93
	21W-63-02690	16142-		P-UB-14	55 mm	90 mm	KOM-707-98-26580	232.93
TILT	21W-63-07110	15001-		P-U-10	40 mm	90 mm	KOM-707-98-22410	145.12
MODEL PC78MR-6								
ARM	707-00-0A640	1001-3460		P-U-14	60 mm	100 mm	KOM-707-98-35310	95.01
	707-00-0A641	3461-		P-U-14	60 mm	100 mm	KOM-707-98-35310	95.01
BLADE	707-00-0A660	1001-3034		P-U-14	65 mm	130 mm	KOM-707-98-42700	126.24
	707-00-0A661	3035-		P-U-14	65 mm	130 mm	KOM-707-98-42700	126.24
BOOM	707-00-0E250	1001-3460		P-U-14	65 mm	115 mm	KOM-707-98-36700	123.84
	707-00-0E251	3461-		P-U-14	65 mm	115 mm	KOM-707-98-36700	123.84
BOOM SWING	707-00-0E260	1001-3034		P-U-14	60 mm	120 mm	KOM-707-98-41330	115.21
	707-00-0E261	3035-		P-U-14	60 mm	120 mm	KOM-707-98-41330	115.21
BUCKET	707-00-0A650	1001-3460		P-U-14	55 mm	90 mm	KOM-707-98-26720	115.12
	707-00-0A651	3461-		P-U-14	55 mm	90 mm	KOM-707-98-26720	115.12
MODEL PC78US-5								
ARM	201-63-02511	1001-		P-U-14	60 mm	100 mm	KOM-707-98-35181	319.70
BLADE	21W-63-02052	1001-		P-U-14	70 mm	130 mm	KOM-707-98-43510	380.66
BOOM	21W-63-02574	1001-		P-U-14	70 mm	120 mm	KOM-707-98-43200	129.21
BUCKET	201-63-02520	1001-		P-UB-14	55 mm	90 mm	KOM-707-98-26580	232.93
MODEL PC78US-6								
ARM	707-00-0A640	4001-12048		P-U-14	60 mm	100 mm	KOM-707-98-35310	95.01
	707-00-0A641	12049-		P-U-14	60 mm	100 mm	KOM-707-98-35310	95.01
BLADE	707-00-0A660	4001-10418		P-U-14	65 mm	130 mm	KOM-707-98-42700	126.24
	707-00-0A661	10419-		P-U-14	65 mm	130 mm	KOM-707-98-42700	126.24
BOOM	707-00-0A630	4001-12048		P-U-14	65 mm	115 mm	KOM-707-98-36700	123.84
	707-00-0A631	12049-		P-U-14	65 mm	115 mm	KOM-707-98-36700	123.84
BUCKET	707-00-0A650	4001-12048		P-U-14	55 mm	90 mm	KOM-707-98-26720	115.12
	707-00-0A651	12049-		P-U-14	55 mm	90 mm	KOM-707-98-26720	115.12
TRACK ADJUSTER		4001-5591	kit w/ valve	TRK ADJ			KOM-SK100150	217.74
		4001-5591		TRK ADJ			KOM-SK100169	51.54
MODEL PC88MR-8								
ANGLE	707-00-0H740	A90001-		P-U-14	60 mm	100 mm	KOM-707-98-35310	95.01
	707-00-0J640	5001-		P-U-14	45 mm	90 mm	KOM-707-98-24800	77.99
ARM	707-00-0H740	5001-		P-U-14	60 mm	100 mm	KOM-707-98-35310	95.01
BLADE	707-00-0H780	5001-		P-U-14	65 mm	130 mm	KOM-707-98-42700	126.24
	707-00-0H780	A90001-		P-U-14	65 mm	130 mm	KOM-707-98-42700	126.24
BLADE (PAT)	707-00-0J650	5001-		P-U-14	65 mm	140 mm	KOM-707-98-51140	120.77

LT - Large size tire L/S - Loading Shovel SLF - Super Long Front B/H - Backhoe HD - Heavy Duty L BUCKET - Large Bucket
 K-LINK - K-type Linkage Blade LB HI-LIFT - High Lift Arm w Large Bucket HI-LIFT - High Lift Arm S HI-LIFT - Super High Lift Arm
 SU - Semi-U Dozer PAT - Power Angle Power Tilt MP - Multi-Purpose

KOMATSU

Replacement Kits For

Excavators								
APPLICATION	CYL #	SERIAL #	Misc	CODE	ROD	BORE	KIT #	List \$
MODEL PC88MR-8								
BOOM	707-00-0H730	5001-		P-U-14	65 mm	115 mm	KOM-707-98-36700	123.84
	707-00-0H730	A90001-		P-U-14	65 mm	115 mm	KOM-707-98-36700	123.84
BOOM SWING	707-00-0H770	5001-		P-U-14	60 mm	120 mm	KOM-707-98-41350	91.54
BUCKET	707-00-0H751	5001-		P-U-14	55 mm	90 mm	KOM-707-98-26720	115.12
	707-00-0H751	A90001-		P-U-14	55 mm	90 mm	KOM-707-98-26720	115.12
TRACK ADJUSTER		5001-	kit w/ valve	TRK ADJ			KOM-SK100151	244.61
		5001-		TRK ADJ			KOM-SK100170	106.94
MODEL PC95R-2								
ARM	226-61-11400	21D5220114-21D5220430		P-UB-14	60 mm	100 mm	KOM-878000425	279.72
	707-01-0S650	21D5220431-		P-UB-14	60 mm	100 mm	KOM-707-99-35310	510.84
ARM (2pc Boom)	21D-61-12300	21D5220114-21D5220430		P-UB-14	60 mm	100 mm	KOM-878000425	279.72
	707-01-0S650	21D5220431-		P-UB-14	60 mm	100 mm	KOM-707-99-35310	510.84
BLADE	226-61-11600	21D5220114-21D5220430		P-UB-14	60 mm	120 mm	KOM-878000365	354.64
	707-01-0S620	21D5220431-		P-UB-14	60 mm	120 mm	KOM-707-99-41300	438.39
BOOM	226-31-11200	21D5220114-21D5220430		P-UB-14	70 mm	120 mm	KOM-878000607	314.98
	707-01-0S640	21D5220431-		P-UB-14	70 mm	120 mm	KOM-707-99-43300	573.28
BOOM LH	226-61-11340	21D5220114-21D5220430		P-UB-14	50 mm	90 mm	KOM-878000608	206.25
	707-01-0S670	21D5220431-		P-UB-14	50 mm	90 mm	KOM-707-99-25700	404.60
BOOM RH	226-61-11300	21D5220114-21D5220430		P-UB-14	50 mm	90 mm	KOM-878000608	206.25
	707-01-0S670	21D5220431-		P-UB-14	50 mm	90 mm	KOM-707-99-25700	404.60
BOOM SWING	226-61-11100	21D5220114-21D5220430		P-UB-14	60 mm	100 mm	KOM-21D-61-14140	341.11
	707-01-0S610	21D5220431-		P-UB-14	60 mm	100 mm	KOM-707-99-35300	481.13
BUCKET	226-61-11500	21D5220114-21D5220430		P-UB-14	60 mm	90 mm	KOM-21D-61-13160	258.39
	707-01-0S690	21D5220431-		P-UB-14	60 mm	90 mm	KOM-707-99-27650	357.14
MODEL PC100-6								
ARM	202-63-02322	40001-44999		P-UB-14	75 mm	115 mm	KOM-707-99-44200	221.36
	202-63-07720	45000-		P-UB-14	75 mm	115 mm	KOM-707-99-44220	165.91
BOOM	202-63-02303	40001-44999		P-UB-14	65 mm	95 mm	KOM-707-98-36200	401.65
BUCKET	202-63-02332	40001-44999		P-UB-14	60 mm	90 mm	KOM-707-98-27600	323.17
	202-63-07730	45000-		P-UB-14	60 mm	90 mm	KOM-707-98-27620	221.71
MODEL PC120-6								
ARM	203-63-02322	45001-56999		P-UB-14	75 mm	115 mm	KOM-707-99-44200	221.36
	203-63-02322	45001-56999		Bushing	75 mm		KOM-707-52-90500	32.68
BOOM	203-63-02303	45001-56999		P-UB-14	70 mm	105 mm	KOM-707-98-37620	242.83
	203-63-02303	45001-56999		Bushing	70 mm		KOM-707-52-90450	29.53
BUCKET	203-63-02332	45001-56999		P-UB-14	65 mm	95 mm	KOM-707-98-36210	343.98
	203-63-02332	45001-56999		Bushing	65 mm		KOM-707-52-90400	26.16
MODEL PC128US-2								
ARM	203-63-02721	5001-		P-UB-14	75 mm	115 mm	KOM-707-99-44220	165.91
	203-63-02722	5001-		P-UB-14	75 mm	115 mm	KOM-707-98-44310	163.66
BLADE LH	22B-63-02450	5001-		P-UB-14	75 mm	115 mm	KOM-707-99-44270	152.13
BLADE RH	22B-63-02460	5001-		P-UB-14	75 mm	115 mm	KOM-707-99-44270	152.13
BOOM	22B-63-02500	5001-		P-UB-14	70 mm	105 mm	KOM-707-99-37230	196.80
BOOM LH	22B-63-02400	5001-		P-UB-14	70 mm	105 mm	KOM-707-99-37230	196.80
BOOM RH	22B-63-02410	5001-		P-UB-14	70 mm	105 mm	KOM-707-99-37230	196.80
BUCKET	203-63-02731	5001-		P-UB-14	65 mm	95 mm	KOM-707-98-36240	221.06
MODEL PC128UU								
ARM	21Y-53-02121	1001-		P-UB-14	75 mm	115 mm	KOM-707-99-44310	348.06
BOOM	21Y-63-02101	1001-		P-UB-14	70 mm	105 mm	KOM-707-98-37620	242.83

LT - Large size tire L/S - Loading Shovel SLF - Super Long Front B/H - Backhoe HD - Heavy Duty L BUCKET - Large Bucket
 K-LINK - K-type Linkage Blade LB HI-LIFT - High Lift Arm w Large Bucket HI-LIFT - High Lift Arm S HI-LIFT - Super High Lift Arm
 SU - Semi-U Dozer PAT - Power Angle Power Tilt MP - Mult-Purpose

FORMERLY LISTED REPAIR PARTS ARE AVAILABLE ONLINE AT WWW.HERCULESCA.CA
 OR BY CONTACTING YOUR REGIONAL HERCULES SALES TEAM.

Replacement Kits For

KOMATSU

Excavators								
APPLICATION	CYL #	SERIAL #	Misc	CODE	ROD	BORE	KIT #	List \$
MODEL PC128UU								
BUCKET	21Y-63-02131	1001-		P-UB-14	60 mm	90 mm	KOM-707-98-27600	323.17
MODEL PC128UU-2								
ARM	21Y-63-02720	5001-		P-UB-14	75 mm	115 mm	KOM-707-99-44280	156.96
BOOM	21Y-63-02700	5001-		P-UB-14	70 mm	105 mm	KOM-707-98-37670	187.16
BUCKET	21Y-63-02730	5001-		P-UB-14	60 mm	90 mm	KOM-707-98-27620	221.71
OFFSET	21Y-63-09140	5001-		P-U-14	70 mm	130 mm	KOM-707-98-43530	312.71
MODEL PC130-6								
ARM	203-63-02321	45001-47712		P-UB-14	75 mm	115 mm	KOM-707-99-44200	221.36
	203-63-02321	45001-47712		Bushing	75 mm		KOM-707-52-90500	32.68
	203-63-02322	47713-50999		P-UB-14	75 mm	115 mm	KOM-707-99-44200	221.36
	203-63-02322	47713-50999		Bushing	75 mm		KOM-707-52-90500	32.68
	203-63-02721	51000-51134		P-UB-14	75 mm	115 mm	KOM-707-99-44220	165.91
	203-63-02722	51135-		P-UB-14	75 mm	115 mm	KOM-707-99-44230	165.91
	203-63-07720	51000-51134		P-UB-14	75 mm	115 mm	KOM-707-99-44220	165.91
BOOM	203-63-07721	51135-		P-UB-14	75 mm	115 mm	KOM-707-99-44230	165.91
	203-63-02302	45001-47712		P-UB-14	70 mm	105 mm	KOM-707-98-37620	242.83
	203-63-02302	45001-47712		Bushing	70 mm		KOM-707-52-90450	29.53
	203-63-02303	47713-50999		P-UB-14	70 mm	105 mm	KOM-707-98-37620	242.83
	203-63-02303	47713-50999		Bushing	70 mm		KOM-707-52-90450	29.53
BUCKET	203-63-02701	51000-		P-UB-14	70 mm	105 mm	KOM-707-98-37670	187.16
	203-63-02900	51000-		P-UB-14	70 mm	105 mm	KOM-707-99-37230	196.80
	203-63-02331	45001-47712		P-UB-14	65 mm	95 mm	KOM-707-98-36210	343.98
	203-63-02331	45001-47712		Bushing	65 mm		KOM-707-52-90400	26.16
	203-63-02332	47713-50999		P-UB-14	65 mm	95 mm	KOM-707-98-36210	343.98
	203-63-02332	47713-50999		Bushing	65 mm		KOM-707-52-90400	26.16
	203-63-02731	51000-		P-UB-14	65 mm	95 mm	KOM-707-98-36240	221.06
203-63-07730	51000-		P-UB-14	65 mm	95 mm	KOM-707-98-36240	221.06	
MODEL PC130-7K								
ARM	707-01-0F030	70001-		P-UB-14	75 mm	115 mm	KOM-707-99-44340	169.57
BLADE LH	22B-63-02450	70001-		P-UB-14	75 mm	115 mm	KOM-707-99-44270	152.13
BLADE RH	22B-63-02460	70001-		P-UB-14	75 mm	115 mm	KOM-707-99-44270	152.13
BOOM	707-01-0G070	70001-		P-UB-14	70 mm	105 mm	KOM-707-99-37310	158.89
	707-01-0G230	70001-		P-UB-14	70 mm	105 mm	KOM-707-99-37300	149.21
BOOM ADJUST	20E-63-K2500	70001-		P-UB-14	70 mm	140 mm	KOM-20E-63-K2500K	150.50
BOOM LIFT	20E-63-03240	70001-		P-UB-14	70 mm	105 mm	KOM-20E-63-03240K	188.54
BUCKET	707-01-0F040	70001-		P-UB-14	65 mm	95 mm	KOM-707-99-25870	220.42
MODEL PC138USLC-2								
ARM	203-63-02722	1001-		P-UB-14	75 mm	115 mm	KOM-707-98-44310	163.66
	707-01-0G140	1501-		P-UB-14	75 mm	115 mm	KOM-707-99-44380	158.94
BLADE LH	22B-63-02450	1029-		P-UB-14	75 mm	115 mm	KOM-707-99-44270	152.13
	707-01-0G160	1501-		P-UB-14	75 mm	115 mm	KOM-707-99-44290	145.11
BLADE RH	22B-63-02460	1029-		P-UB-14	75 mm	115 mm	KOM-707-99-44270	152.13
	707-01-0G170	1501-		P-UB-14	75 mm	115 mm	KOM-707-99-44290	145.11
BOOM	22B-63-02500	1001-		P-UB-14	70 mm	105 mm	KOM-707-99-37230	196.80
	707-01-0G120	1501-		P-UB-14	70 mm	105 mm	KOM-707-99-37340	159.58
BUCKET	22B-63-02240	1001-		P-UB-14	65 mm	100 mm	KOM-707-99-36300	211.26
	707-01-0G150	1501-		P-UB-14	65 mm	100 mm	KOM-707-99-36330	191.04
TRACK ADJUSTER		1501-		TRK ADJ			KOM-SK100171	136.87
		1501-	kit w/ valve	TRK ADJ			KOM-SK100152	255.82
MODEL PC138USLC-8								
ARM	707-01-0L680	20001-24509		P-UB-14	75 mm	110 mm	KOM-707-99-38780	140.67
	707-01-0L680	20001-24509		Bushing	75 mm		KOM-707-52-90500	32.68
	707-01-0L680	24150-25966	4600m	P-UB-14	75 mm	110 mm	KOM-707-99-38780	140.67
	707-01-0L680	24150-25966	4600m	Bushing	75 mm		KOM-707-52-90501	13.23
	707-01-0L681	25967-	4600m	P-UB-14	75 mm	110 mm	KOM-707-99-38820	189.66

LT - Large size tire L/S - Loading Shovel SLF - Super Long Front B/H - Backhoe HD - Heavy Duty L BUCKET - Large Bucket
 K-LINK - K-type Linkage Blade LB HI-LIFT - High Lift Arm w Large Bucket HI-LIFT - High Lift Arm S HI-LIFT - Super High Lift Arm
 SU - Semi-U Dozer PAT - Power Angle Power Tilt MP - Mult-Purpose



KOMATSU

Replacement Kits For

Excavators								
APPLICATION	CYL #	SERIAL #	Misc	CODE	ROD	BORE	KIT #	List \$
MODEL PC138USLC-8								
ARM	707-01-0L681	25967-	4600m	Bushing	75 mm		KOM-707-52-90501	13.23
BLADE	707-01-XL700	20001-24509		P-UB-14	75 mm	110 mm	KOM-707-99-38790	131.57
	707-01-XL700	20001-24509		Bushing	75 mm		KOM-707-52-90500	32.68
BLADE LH	707-01-0L700	24510-		P-UB-14	75 mm	110 mm	KOM-707-99-38790	131.57
	707-01-0L700	24510-		Bushing	75 mm		KOM-707-52-90501	13.23
BLADE RH	707-01-0L710	24510-		P-UB-14	75 mm	110 mm	KOM-707-99-38790	131.57
	707-01-0L710	24510-		Bushing	75 mm		KOM-707-52-90501	13.23
BOOM	707-01-0L660	20001-24509		P-UB-14	70 mm	105 mm	KOM-707-99-37170	143.85
	707-01-0L660	20001-24509		Bushing	70 mm		KOM-707-52-90470	27.78
BOOM LH	707-01-0L660	24510-		P-UB-14	70 mm	105 mm	KOM-707-99-37170	143.85
	707-01-0L660	24510-		Bushing	70 mm		KOM-707-52-90471	27.78
BOOM RH	707-01-0L660	24510-		P-UB-14	70 mm	105 mm	KOM-707-99-37170	143.85
	707-01-0L660	24510-		Bushing	70 mm		KOM-707-52-90471	27.78
	707-01-0L660	24510-		Bushing	70 mm		KOM-707-52-90471	27.78
BUCKET	707-01-0L691	20001-24509		P-UB-14	65 mm	95 mm	KOM-707-99-27780	148.05
	707-01-0L691	20001-24509		Bushing	65 mm		KOM-707-52-90420	25.14
	707-01-0L691	24510-		P-UB-14	65 mm	95 mm	KOM-707-99-27780	148.05
	707-01-0L691	24510-		Bushing	65 mm		KOM-707-52-90421	25.14
MODEL PC138USLC-10								
ARM	707-E1-02090	40001-		P-UB-14	75 mm	110 mm	KOM-707-99-39770	313.27
BLADE LH	707-E1-02110	40001-		P-UB-14	75 mm	110 mm	KOM-707-99-39790	214.21
BLADE RH	707-E1-02120	40001-		P-UB-14	75 mm	110 mm	KOM-707-99-39790	214.21
BOOM LH	707-E1-02130	40001-		P-UB-14	70 mm	105 mm	KOM-707-99-37740	333.26
BOOM RH	707-E1-02130	40001-		P-UB-14	70 mm	105 mm	KOM-707-99-37740	333.26
BUCKET	707-E1-02100	40001-40697		P-UB-14	65 mm	95 mm	KOM-707-99-25790	280.41
	707-E1-02101	40698-		P-UB-14	65 mm	95 mm	KOM-707-99-25790	280.41
MODEL PC138USLC-11								
ARM	707-E1-02090	50001-		P-UB-14	75 mm	110 mm	KOM-721-98-01520	526.94
	707-E1-02090	50001-		Bushing	75 mm		KOM-707-52-90501	13.23
BLADE LH	707-E1-02110	50001-		P-UB-14	75 mm	110 mm	KOM-721-98-01540	413.70
	707-E1-02110	50001-		Bushing	75 mm		KOM-707-52-90501	13.23
BLADE RH	707-E1-02120	50001-		P-UB-14	75 mm	110 mm	KOM-721-98-01540	413.70
	707-E1-02120	50001-		Bushing	75 mm		KOM-707-52-90501	13.23
BOOM LH	707-E1-02130	50001-		P-UB-14	70 mm	105 mm	KOM-707-99-37740	333.26
	707-E1-02130	50001-		P-UB-14	70 mm	105 mm	KOM-721-98-01120	501.31
	707-E1-02130	50001-		Bushing	70 mm		KOM-707-52-90471	27.78
BOOM RH	707-E1-02130	50001-		P-UB-14	70 mm	105 mm	KOM-721-98-01120	501.31
	707-E1-02130	50001-		P-UB-14	70 mm	105 mm	KOM-707-99-37740	333.26
	707-E1-02130	50001-		Bushing	70 mm		KOM-707-52-90471	27.78
BUCKET	707-G1-03380	50001-		P-UB-14	65 mm	95 mm	KOM-721-98-01530	437.73
	707-G1-03380	50001-		Bushing	65 mm		KOM-707-52-90421	25.14
TRACK ADJUSTER		50001-	w/ valve	TRK ADJ			KOM-SK100152	255.82
		50001-		TRK ADJ			KOM-SK100171	136.87
MODEL PC150-5								
ARM	21K-63-02120	6001-		P-UB-14	85 mm	120 mm	KOM-707-99-46200	481.11
BOOM	21K-63-02100	6001-		P-UB-14	75 mm	110 mm	KOM-707-98-38520	197.59
BUCKET	21K-63-02130	6001-		P-UB-14	70 mm	100 mm	KOM-707-98-37110	287.56
MODEL PC150-6K, PC150LC-6K								
ARM	21P-63-03120	K30667-		P-UB-14	85 mm	120 mm	KOM-21P-63-03120K	194.85
	21P-63-K1711	K30001-K30666		P-UB-14	85 mm	120 mm	KOM-21P-63-K1711K	267.89
ARM (2pc Boom)	21P-63-03120	K32001-		P-UB-14	85 mm	120 mm	KOM-21P-63-03120K	194.85
BOOM	21P-63-03200	K32001-		P-UB-14	75 mm	110 mm	KOM-21P-63-03200K	126.97
	21P-63-K1611	K30001-K31999		P-UB-14	75 mm	110 mm	KOM-21P-63-K1611K	121.67
BOOM (2pc - 1st Cyl)	20G-63-03240	K32001-		P-UB-14	85 mm	120 mm	KOM-20G-63-03240K	193.80
BOOM (2pc - 2nd Cyl)	20G-63-K1110	K32001-		P-UB-14	100 mm	160 mm	KOM-20G-63-K1110K	458.28
BUCKET	21P-63-03130	K30667-	LC-6K	P-UB-14	70 mm	105 mm	KOM-21P-63-03130K	187.24

LT - Large size tire L/S - Loading Shovel SLF - Super Long Front B/H - Backhoe HD - Heavy Duty L BUCKET - Large Bucket
 K-LINK - K-type Linkage Blade LB HI-LIFT - High Lift Arm w Large Bucket HI-LIFT - High Lift Arm S HI-LIFT - Super High Lift Arm
 SU - Semi-U Dozer PAT - Power Angle Power Tilt MP - Mulit-Purpose

FORMERLY LISTED REPAIR PARTS ARE AVAILABLE ONLINE AT WWW.HERCULESCA.CA
 OR BY CONTACTING YOUR REGIONAL HERCULES SALES TEAM.

KOMATSU

Replacement Kits For

Excavators								
APPLICATION	CYL #	SERIAL #	Misc	CODE	ROD	BORE	KIT #	List \$
MODEL PC150-6K, PC150LC-6K								
BUCKET	21P-63-K1821	K30001-	PC150-6K	P-UB-14	75 mm	110 mm	KOM-21P-63-K1821K	168.89
	21P-63-K3600	K30001-K30666	LC-6K	P-UB-12	70 mm	105 mm	KOM-21P-63-K3600K	228.02
MODEL PC160-6K								
ARM (1 & 2pc Boom)	21P-63-K1711	K30001-K30197		P-UB-14	85 mm	120 mm	KOM-21P-63-K1711K	267.89
ARM (2pc Boom)	21P-63-03120	K30198-		P-UB-14	85 mm	120 mm	KOM-21P-63-03120K	194.85
BOOM	21P-63-03200	K32001-		P-UB-14	75 mm	110 mm	KOM-21P-63-03200K	126.97
	21P-63-K1611	K30001-K31999		P-UB-14	75 mm	110 mm	KOM-21P-63-K1611K	121.67
BOOM (2pc - 1st Cyl)	20G-63-03240	K32001-		P-UB-14	85 mm	120 mm	KOM-20G-63-03240K	193.80
	20G-63-K1410	K30001-K31999		P-UB-14	85 mm	120 mm	KOM-20G-63-K1410K	184.89
BOOM (2pc - 2nd Cyl)	20G-63-K1110	K30001-		P-UB-14	100 mm	160 mm	KOM-20G-63-K1110K	458.28
BUCKET	21P-63-03130	K30198-		P-UB-14	70 mm	105 mm	KOM-21P-63-03130K	187.24
	21P-63-K3600	K30001-K30197		P-UB-12	70 mm	105 mm	KOM-21P-63-K3600K	228.02
MODEL PC160LC-7								
ARM	707-01-0E510	10001-, K40001-		P-UB-14	85 mm	120 mm	KOM-707-99-46320	531.52
BOOM	707-01-0E490	10001-, K40001-		P-UB-14	75 mm	110 mm	KOM-707-99-38720	452.82
BUCKET	707-01-0E520	10001-10408, K40001-		P-UB-14	70 mm	105 mm	KOM-707-99-37290	441.82
	707-01-0H390	10409-		P-UB-14	70 mm	105 mm	KOM-707-99-37290	441.82
MODEL PC160LC-7-E0								
ARM	707-01-0L120	K45001-		P-UB-14	85 mm	120 mm	KOM-707-99-46420	195.77
BOOM	707-01-0L100	20001-, K45001-		P-UB-14	75 mm	110 mm	KOM-707-99-38760	166.68
BUCKET	707-01-0L130	20001-		P-UB-14	70 mm	105 mm	KOM-707-99-37150	218.35
	707-01-0L500	20001-, K45001-		P-UB-14	70 mm	105 mm	KOM-707-99-37150	218.35
MODEL PC160LC-7K								
ARM	707-01-0E510	K40001-		P-UB-14	85 mm	120 mm	KOM-707-99-46320	531.52
BOOM	707-01-0E490	K40001-		P-UB-14	75 mm	110 mm	KOM-707-99-38720	452.82
BUCKET	707-01-0E520	K40001-		P-UB-14	70 mm	105 mm	KOM-707-99-37290	441.82
MODEL PC160LC-7K-KA								
ARM	707-01-0E510	K40001-		P-UB-14	85 mm	120 mm	KOM-707-99-46320	531.52
	707-01-0E510	K40001-		Bushing	85 mm		KOM-707-52-90610	41.83
BOOM	707-01-0E490	K40001-		P-UB-14	75 mm	110 mm	KOM-707-99-38720	452.82
	707-01-0E490	K40001-		Bushing	75 mm		KOM-707-52-90500	32.68
BUCKET	707-01-0E520	K40001-		P-UB-14	70 mm	105 mm	KOM-707-99-37290	441.82
	707-01-0E520	K40001-		Bushing	70 mm		KOM-707-52-90470	27.78
MODEL PC160LC-8								
ARM	707-01-0L120	25001-		P-UB-14	85 mm	120 mm	KOM-707-99-46420	195.77
	707-01-0L120	25001-		Bushing	85 mm		KOM-707-52-90610	41.83
	707-01-0L120	C20001-		P-UB-14	85 mm	120 mm	KOM-707-99-46420	195.77
	707-01-0L120	C20001-		Bushing	85 mm		KOM-707-52-90610	41.83
	707-01-XYK30	B30001-		P-UB-14	85 mm	120 mm	KOM-707-99-46420	195.77
	707-01-XYK30	B30001-		Bushing	85 mm		KOM-707-52-90610	41.83
BOOM LH	707-01-0L100	25001-		P-UB-14	75 mm	110 mm	KOM-707-99-38760	166.68
	707-01-0L100	25001-		Bushing	75 mm		KOM-707-52-90500	32.68
	707-01-0L100	C20001-		P-UB-14	75 mm	110 mm	KOM-707-99-38760	166.68
	707-01-0L100	C20001-		Bushing	75 mm		KOM-707-52-90500	32.68
	707-01-XYK40	B30001-		P-UB-14	75 mm	110 mm	KOM-707-99-38760	166.68
	707-01-XYK40	B30001-		Bushing	75 mm		KOM-707-52-90500	32.68
BOOM RH	707-01-0L100	25001-		P-UB-14	75 mm	110 mm	KOM-707-99-38760	166.68
	707-01-0L100	25001-		Bushing	75 mm		KOM-707-52-90500	32.68
	707-01-0L100	C20001-		P-UB-14	75 mm	110 mm	KOM-707-99-38760	166.68
	707-01-0L100	C20001-		Bushing	75 mm		KOM-707-52-90500	32.68
	707-01-XYK20	B30001-		P-UB-14	75 mm	110 mm	KOM-707-99-38760	166.68
	707-01-XYK20	B30001-		Bushing	75 mm		KOM-707-52-90500	32.68
BUCKET	707-01-0L500	25001-	2.25m to 2.9m Arm	P-UB-14	70 mm	105 mm	KOM-707-99-37150	218.35

LT - Large size tire L/S - Loading Shovel SLF - Super Long Front B/H - Backhoe HD - Heavy Duty L BUCKET - Large Bucket
 K-LINK - K-type Linkage Blade LB HI-LIFT - High Lift Arm w Large Bucket HI-LIFT - High Lift Arm S HI-LIFT - Super High Lift Arm
 SU - Semi-U Dozer PAT - Power Angle Power Tilt MP - Mult-Purpose

KOMATSU

Replacement Kits For

KOMATSU

Excavators								
APPLICATION	CYL #	SERIAL #	Misc	CODE	ROD	BORE	KIT #	List \$
MODEL PC160LC-8								
BUCKET	707-01-0L500	25001-	2.25m to 2.9m Arm	Bushing	70 mm		KOM-707-52-90471	27.78
	707-01-0L500	C20001-	Arm, 2.6m	P-UB-14	70 mm	105 mm	KOM-707-99-37150	218.35
	707-01-0L500	C20001-	Arm, 2.6m	Bushing	70 mm		KOM-707-52-90471	27.78
	707-01-XYK50	B30001-		P-UB-14	70 mm	105 mm	KOM-707-99-37150	218.35
MODEL PC170LC-10								
ARM	707-E1-02610	30001-		P-UB-14	85 mm	120 mm	KOM-707-99-47080	393.92
	707-E1-02610	30001-		Bushing	85 mm		KOM-707-52-90611	41.83
BOOM	707-E1-02550	30001-		P-UB-14	75 mm	110 mm	KOM-707-99-39650	248.15
	707-E1-02550	30001-		Bushing	75 mm		KOM-707-52-90501	13.23
BUCKET	707-E1-02640	30001-		P-UB-14	70 mm	105 mm	KOM-707-99-37770	277.78
	707-E1-02640	30001-		Bushing	70 mm		KOM-707-52-90471	27.78
MODEL PC170LC-11								
ARM	707-E1-02610	35001-		P-UB-14	85 mm	120 mm	KOM-707-99-47080	393.92
	707-E1-02610	35001-		Bushing	85 mm		KOM-707-52-90611	41.83
BOOM LH	707-E1-02550	35001-		P-UB-14	75 mm	110 mm	KOM-707-99-39650	248.15
	707-E1-02550	35001-		Bushing	75 mm		KOM-707-52-90501	13.23
BOOM RH	707-E1-02550	35001-		P-UB-14	75 mm	110 mm	KOM-707-99-39650	248.15
	707-E1-02550	35001-		Bushing	75 mm		KOM-707-52-90501	13.23
BUCKET	707-E1-02640	35001-		P-UB-14	70 mm	105 mm	KOM-707-99-37770	277.78
	707-E1-02640	35001-		Bushing	70 mm		KOM-707-52-90471	27.78
TRACK ADJUSTER	20Y-30-00660	35001-		TRK ADJ			KOM-SK100173	136.52
	20Y-30-00660	35001-		TRK ADJ			KOM-SK100154	204.24
MODEL PC180LC-6K								
ARM	21P-63-K1711	K30001-		P-UB-14	85 mm	120 mm	KOM-21P-63-K1711K	267.89
BOOM LH	21P-63-K1611	K30001-		P-UB-14	75 mm	110 mm	KOM-707-98-38520	197.59
BOOM RH	21P-63-K1611	K30001-		P-UB-14	75 mm	110 mm	KOM-707-98-38520	197.59
BUCKET	21P-63-K3600	K30001-		P-UB-14	70 mm	105 mm	KOM-707-98-37620	242.83
MODEL PC180LC-7K								
ARM	707-01-0E510	K40001-		P-UB-14	85 mm	120 mm	KOM-707-99-46320	531.52
BOOM	707-01-0E490	K40001-		P-UB-14	75 mm	110 mm	KOM-707-99-38720	452.82
BUCKET	707-01-0E520	K40001-		P-UB-14	70 mm	105 mm	KOM-707-99-37290	441.82
MODEL PC180NLC-6K								
ARM	21P-63-K1711	K30001-		P-UB-14	85 mm	120 mm	KOM-21P-63-K1711K	267.89
BOOM LH	21P-63-K1611	K30001-		P-UB-14	75 mm	110 mm	KOM-707-98-38520	197.59
BOOM RH	21P-63-K1611	K30001-		P-UB-14	75 mm	110 mm	KOM-707-98-38520	197.59
BUCKET	21P-63-K3600	K30001-		P-UB-14	70 mm	105 mm	KOM-707-98-37620	242.83
MODEL PC180NLC-7K								
ARM	707-01-0E510	K40001-		P-UB-14	85 mm	120 mm	KOM-707-99-46320	531.52
BOOM	707-01-0E490	K40001-		P-UB-14	75 mm	110 mm	KOM-707-99-38720	452.82
BUCKET	707-01-0E520	K40001-		P-UB-14	70 mm	105 mm	KOM-707-99-37290	441.82
MODEL PC200-2								
BUCKET	206-63-75141			P-U-14	80 mm	130 mm	KOM-707-98-45700	397.54
MODEL PC200-6								
ARM	205-63-02521	80001-84384		P-UB-14	95 mm	135 mm	KOM-707-99-57200	396.04
	205-63-02521	80001-84384		Bushing	95 mm		KOM-707-52-90710	57.53
	205-63-02521	A80001-, A82001-		P-UB-14	95 mm	135 mm	KOM-707-99-57200	396.04
	205-63-02521	A80001-, A82001-		Bushing	95 mm		KOM-707-52-90710	57.53
	205-63-02522	84385-		P-UB-14	95 mm	135 mm	KOM-707-99-57200	396.04
	205-63-02522	84385-		Bushing	95 mm		KOM-707-52-90710	57.53
BOOM	205-63-02501	80001-84384		P-UB-14	85 mm	120 mm	KOM-707-99-46600	298.63
	205-63-02501	80001-84384		Bushing	85 mm		KOM-707-52-90600	44.67
	205-63-02502	84385-		P-UB-14	85 mm	120 mm	KOM-707-99-46600	298.63
	205-63-02502	84385-		Bushing	85 mm		KOM-707-52-90600	44.67
	206-63-02501	A80001-, A82001-		P-UB-14	90 mm	130 mm	KOM-707-99-47600	325.08
	206-63-02501	A80001-, A82001-		Bushing	90 mm		KOM-707-52-90650	51.52

LT - Large size tire L/S - Loading Shovel SLF - Super Long Front B/H - Backhoe HD - Heavy Duty L BUCKET - Large Bucket
 K-LINK - K-type Linkage Blade LB HI-LIFT - High Lift Arm w Large Bucket HI-LIFT - High Lift Arm S HI-LIFT - Super High Lift Arm
 SU - Semi-U Dozer PAT - Power Angle Power Tilt MP - Mulit-Purpose

Replacement Kits For

KOMATSU

Excavators								
APPLICATION	CYL #	SERIAL #	Misc	CODE	ROD	BORE	KIT #	List \$
MODEL PC200-6								
BOOM	20Y-63-03101	96514-		P-UB-14	85 mm	120 mm	KOM-707-99-46270	309.41
BUCKET	205-63-02130	A80001-, A82001-		P-UB-14	80 mm	115 mm	KOM-707-98-45220	447.45
	205-63-02130	A80001-, A82001-		Bushing	80 mm		KOM-707-52-90550	40.95
	205-63-02131	80001-84384		P-UB-14	80 mm	115 mm	KOM-707-98-45220	447.45
	205-63-02131	80001-84384		Bushing	80 mm		KOM-707-52-90550	40.95
	205-63-02132	84385-		P-UB-14	80 mm	115 mm	KOM-707-98-45220	447.45
	205-63-02132	84385-		Bushing	80 mm		KOM-707-52-90550	40.95
	205-63-02140	A80001-, A82001-		P-UB-14	85 mm	125 mm	KOM-205-63-02140K	258.14
	205-63-02140	A80001-, A82001-		Bushing	85 mm		KOM-707-52-90600	44.67
MODEL PC200-6S, PC200LC-6S								
ARM	205-63-03122	C10001-		P-UB-14	95 mm	135 mm	KOM-707-99-57250	396.04
BOOM	205-63-03101	C10001-		P-UB-14	85 mm	120 mm	KOM-707-99-46270	309.41
	205-63-07240	C10001-		P-UB-14	85 mm	120 mm	KOM-707-99-46270	309.41
BOOM (2pc - 1st Cyl)	205-63-03300	C10001-		P-UB-14	85 mm	120 mm	KOM-707-99-46270	309.41
BOOM (2pc - 2nd Cyl)	205-63-02821	C10001-		P-UB-14	110 mm	160 mm	KOM-707-99-67610	449.63
BUCKET	205-63-03131	C10001-		P-UB-14	80 mm	100 mm	KOM-707-98-45250	343.37
	205-63-03140	C10001-		P-UB-14	85 mm	125 mm	KOM-707-99-46290	493.01
	205-63-07132	C10001-		P-UB-14	80 mm	115 mm	KOM-707-98-45240	196.46
	205-63-07230	C10001-		P-UB-14	80 mm	100 mm	KOM-707-98-45250	343.37
	205-63-07280	C10001-		P-UB-14	85 mm	125 mm	KOM-707-99-46290	493.01
	205-63-07290	C10001-		P-UB-14	80 mm	115 mm	KOM-707-98-45240	196.46
	BUCKET (Demo Spec)	206-63-03130	C10001-		P-UB-14	90 mm	130 mm	KOM-707-99-47670
	206-63-07290	C10001-		P-UB-14	90 mm	130 mm	KOM-707-99-47670	494.23
MODEL PC200-7, PC200LC-7								
ARM	707-01-0A310	200001-202830		P-UB-14	95 mm	135 mm	KOM-707-99-57160	479.52
	707-01-0A310	C70001-		P-UB-14	95 mm	135 mm	KOM-707-99-57160	479.52
	707-01-0A311	202831-		P-UB-14	95 mm	135 mm	KOM-707-99-57160	479.52
	707-01-0A312	205865-		P-UB-14	95 mm	135 mm	KOM-707-99-57160	479.52
	707-01-0C420	200001-202830		P-UB-14	95 mm	135 mm	KOM-707-99-57160	479.52
	707-01-0C421	202831-		P-UB-14	95 mm	135 mm	KOM-707-99-57160	479.52
BOOM	707-01-0A290	200001-		P-UB-14	85 mm	120 mm	KOM-707-99-46130	494.01
	707-01-0A290	C70001-		P-UB-14	85 mm	120 mm	KOM-707-99-46130	494.01
	707-01-0C400	200001-		P-UB-14	85 mm	120 mm	KOM-707-99-46130	494.01
BOOM (Lrg Dia Type)		C70001-		P-UB-14	90 mm	130 mm	KOM-707-99-47790	289.45
	707-01-0A940	200001-	LC-7	P-UB-14	90 mm	130 mm	KOM-707-99-47790	289.45
BUCKET	707-01-0A320	200001-		P-UB-14	80 mm	115 mm	KOM-707-99-45230	260.16
	707-01-0A320	C70001-		P-UB-14	80 mm	115 mm	KOM-707-99-45230	260.16
	707-01-0A321	205831-		P-UB-14	80 mm	115 mm	KOM-707-99-45230	260.16
	707-01-0A321	250001-254768	LC-7	P-UB-14	80 mm	115 mm	KOM-707-99-45230	260.16
	707-01-0C430	200001-		P-UB-14	80 mm	115 mm	KOM-707-99-45230	260.16
	707-01-0C431	205381-		P-UB-14	80 mm	115 mm	KOM-707-99-45230	260.16
	707-01-0C431	254769-	LC-7	P-UB-14	80 mm	115 mm	KOM-707-99-45230	260.16
	707-01-0C880	200001-		P-UB-14	85 mm	125 mm	KOM-707-99-46120	277.84
	707-01-0E081	250001-		P-UB-14	85 mm	125 mm	KOM-707-99-46120	277.84
	707-01-0G710	205865-		P-UB-14	85 mm	125 mm	KOM-707-99-46120	277.84
	707-01-0G871	255788-		P-UB-14	80 mm	115 mm	KOM-707-99-45230	260.16
MODEL PC200LC-6								
ARM	205-63-02521	80001-84384		P-UB-14	95 mm	135 mm	KOM-707-99-57200	396.04
	205-63-02521	A80001-, A82001-		P-UB-14	95 mm	135 mm	KOM-707-99-57200	396.04
	205-63-02522	84385-96513		P-UB-14	95 mm	135 mm	KOM-707-99-57200	396.04
	205-63-03121	96514-99471		P-UB-14	95 mm	135 mm	KOM-707-99-57250	396.04
	205-63-03122	99472-110674		P-UB-14	95 mm	135 mm	KOM-707-99-57270	495.25
	707-01-0E570	110675-		P-UB-14	95 mm	135 mm	KOM-707-99-57270	495.25
BOOM	205-63-02501	80001-84384		P-UB-14	85 mm	120 mm	KOM-707-99-46600	298.63
	205-63-02502	84385-96513		P-UB-14	85 mm	120 mm	KOM-707-99-46600	298.63

LT - Large size tire L/S - Loading Shovel SLF - Super Long Front B/H - Backhoe HD - Heavy Duty L BUCKET - Large Bucket
 K-LINK - K-type Linkage Blade LB HI-LIFT - High Lift Arm w Large Bucket HI-LIFT - High Lift Arm S HI-LIFT - Super High Lift Arm
 SU - Semi-U Dozer PAT - Power Angle Power Tilt MP - Mult-Purpose

KOMATSU

Replacement Kits For

KOMATSU

Excavators									
APPLICATION	CYL #	SERIAL #	Misc	CODE	ROD	BORE	KIT #	List \$	
MODEL PC200LC-6									
BOOM	205-63-02801	80001-96513		P-UB-14	85 mm	120 mm	KOM-707-99-46600	298.63	
	205-63-03101	96514-		P-UB-14	85 mm	120 mm	KOM-707-99-46270	309.41	
	205-63-03150	101894-		P-UB-14	90 mm	130 mm	KOM-707-99-47740	323.39	
	205-63-03300	96514-		P-UB-14	85 mm	120 mm	KOM-707-99-46270	309.41	
	205-63-07140	80001-96513		P-UB-14	85 mm	120 mm	KOM-707-99-46600	298.63	
	205-63-07240	96514-		P-UB-14	85 mm	120 mm	KOM-707-99-46270	309.41	
	206-63-02501	A80001-, A82001-		P-UB-14	90 mm	130 mm	KOM-707-99-47600	325.08	
BUCKET	205-63-02130	A80001-, A82001-		P-UB-14	80 mm	115 mm	KOM-707-98-45220	447.45	
	205-63-02131	80001-84384		P-UB-14	80 mm	115 mm	KOM-707-98-45220	447.45	
	205-63-02132	84385-96513		P-UB-14	80 mm	115 mm	KOM-707-98-45220	447.45	
	205-63-02140	80001-96513		P-UB-14	85 mm	125 mm	KOM-205-63-02140K	258.14	
	205-63-02140	A80001-, A82001-		P-UB-14	85 mm	125 mm	KOM-205-63-02140K	258.14	
	205-63-03131	94999-, 96514-		P-UB-14	80 mm	100 mm	KOM-707-98-45250	343.37	
	205-63-03140	96514-		P-UB-14	85 mm	125 mm	KOM-707-99-46290	493.01	
	205-63-07132	80001-		P-UB-14	80 mm	115 mm	KOM-707-98-45240	196.46	
	205-63-07230	94999-		P-UB-14	80 mm	100 mm	KOM-707-98-45250	343.37	
	205-63-07280	94999-		P-UB-14	85 mm	125 mm	KOM-707-99-46290	493.01	
	205-63-07290	94999-		P-UB-14	80 mm	115 mm	KOM-707-98-45240	196.46	
	BUCKET (Demo Spec)	206-63-02130	80001-96513		P-UB-14	90 mm	130 mm	KOM-707-98-47620	493.45
		206-63-03130	96514-		P-UB-14	90 mm	130 mm	KOM-707-99-47670	494.23
206-63-07290		94999-		P-UB-14	90 mm	130 mm	KOM-707-99-47670	494.23	
MODEL PC200LC-6LE									
ARM	205-63-03121	A83001-		P-UB-14	95 mm	135 mm	KOM-707-99-57250	396.04	
BOOM LH	206-63-03200	A83001-		P-UB-14	90 mm	130 mm	KOM-707-99-47660	339.77	
BOOM RH	206-63-03100	A83001-		P-UB-14	90 mm	130 mm	KOM-707-99-47660	339.77	
BUCKET	205-63-03131	A83001-		P-UB-14	90 mm	130 mm	KOM-707-99-47670	494.23	
	205-63-03140	A83001-		P-UB-14	85 mm	125 mm	KOM-707-99-46290	493.01	
BUCKET (Demo Spec)	206-63-03130	A83001-		P-UB-14	90 mm	130 mm	KOM-707-99-47670	494.23	
MODEL PC200LC-7L									
ARM	707-01-0A310	A86001-		P-UB-14	95 mm	135 mm	KOM-707-99-57160	479.52	
BOOM (Lrg Dia Type)	707-01-0A940	A86001-		P-UB-14	90 mm	130 mm	KOM-707-99-47790	289.45	
BUCKET	707-01-0A320	A86001-		P-UB-14	80 mm	115 mm	KOM-707-99-45230	260.16	
TRACK ADJUSTER		A86001-		TRK ADJ			KOM-SK100172	49.04	
		A86001-	kit w/ valve	TRK ADJ			KOM-SK100153	116.78	
MODEL PC200LC-7-US									
ARM	707-01-0A310	200001-, C50001-		P-UB-14	95 mm	135 mm	KOM-707-99-57160	479.52	
	707-01-0Z840	C70001-		P-UB-14	95 mm	135 mm	KOM-707-99-57160	479.52	
BOOM	707-01-0A290	C70001-		P-UB-14	85 mm	120 mm	KOM-707-99-46130	494.01	
BOOM (Lrg Dia Type)	707-01-0A940	200001-, C50001-		P-UB-14	90 mm	130 mm	KOM-707-99-47790	289.45	
BUCKET	707-01-0A320	200001-, C50001-		P-UB-14	80 mm	115 mm	KOM-707-99-45230	260.16	
MODEL PC200LC-8									
ARM	707-01-0H600	300001-		P-UB-14	95 mm	135 mm	KOM-707-98-48610	343.91	
	707-01-0H600	A88001-		P-UB-14	95 mm	135 mm	KOM-707-98-48610	343.91	
	707-01-0H600	C60001-		P-UB-14	95 mm	135 mm	KOM-707-98-48610	343.91	
BOOM LH	707-01-0H580	300001-		P-UB-14	85 mm	120 mm	KOM-707-98-46280	224.91	
	707-01-0H580	C60001-		P-UB-14	85 mm	120 mm	KOM-707-98-46280	224.91	
	707-01-0H650	300001-		P-UB-14	90 mm	130 mm	KOM-707-98-47710	263.04	
	707-01-0H650	A88001-		P-UB-14	90 mm	130 mm	KOM-707-98-47710	263.04	
	707-01-0H650	C60001-		P-UB-14	90 mm	130 mm	KOM-707-98-47710	263.04	
BOOM LH (Lrg Dia Type)	707-01-0H650	A88001-		P-UB-14	90 mm	130 mm	KOM-707-98-47710	263.04	
BOOM RH	707-01-0H580	300001-		P-UB-14	85 mm	120 mm	KOM-707-98-46280	224.91	
	707-01-0H580	C60001-		P-UB-14	85 mm	120 mm	KOM-707-98-46280	224.91	
	707-01-0H650	300001-		P-UB-14	90 mm	130 mm	KOM-707-98-47710	263.04	
	707-01-0H650	A88001-		P-UB-14	90 mm	130 mm	KOM-707-98-47710	263.04	
	707-01-0H650	C60001-		P-UB-14	90 mm	130 mm	KOM-707-98-47710	263.04	

LT - Large size tire L/S - Loading Shovel SLF - Super Long Front B/H - Backhoe HD - Heavy Duty L BUCKET - Large Bucket
 K-LINK - K-type Linkage Blade LB HI-LIFT - High Lift Arm w Large Bucket HI-LIFT - High Lift Arm S HI-LIFT - Super High Lift Arm
 SU - Semi-U Dozer PAT - Power Angle Power Tilt MP - Mult-Purpose

FORMERLY LISTED REPAIR PARTS ARE AVAILABLE ONLINE AT WWW.HERCULESCA.CA
 OR BY CONTACTING YOUR REGIONAL HERCULES SALES TEAM.

Replacement Kits For

KOMATSU

Excavators								
APPLICATION	CYL #	SERIAL #	Misc	CODE	ROD	BORE	KIT #	List \$
MODEL PC200LC-8								
BOOM RH (Lrg Dia Type)	707-01-0H650	A88001-		P-UB-14	90 mm	130 mm	KOM-707-98-47710	263.04
BUCKET	707-01-0H740	300001-		P-UB-14	80 mm	115 mm	KOM-707-98-39610	260.16
	707-01-0H740	A88001-		P-UB-14	80 mm	115 mm	KOM-707-98-39610	260.16
	707-01-0H740	C60001-		P-UB-14	80 mm	115 mm	KOM-707-98-39610	260.16
	707-01-0J270	A88001-		P-UB-14	80 mm	115 mm	KOM-707-98-39610	260.16
TRACK ADJUSTER		A88001-	kit w/ valve	TRK ADJ			KOM-SK100154	204.24
		A88001-		TRK ADJ			KOM-SK100173	136.52
MODEL PC200LC-8E0								
BOOM LH	707-01-0H650	1001-		P-UB-14	90 mm	130 mm	KOM-707-98-47710	263.04
	707-01-0H650	1001-		Bushing	90 mm		KOM-707-52-90681	44.23
BOOM RH	707-01-0H650	1001-		P-UB-14	90 mm	130 mm	KOM-707-98-47710	263.04
	707-01-0H650	1001-		Bushing	90 mm		KOM-707-52-90681	44.23
BUCKET	707-01-0H740	1001-		P-UB-14	80 mm	115 mm	KOM-707-98-39610	260.16
	707-01-0H740	1001-		Bushing	80 mm		KOM-707-52-90561	37.68
MODEL PC210-6								
ARM	205-63-02521	80001-84384		P-UB-14	95 mm	135 mm	KOM-707-99-57200	396.04
	205-63-02521	80001-84384		Bushing	95 mm		KOM-707-52-90710	57.53
	205-63-02522	34385-		P-UB-14	95 mm	135 mm	KOM-707-99-57200	396.04
	205-63-02522	34385-		Bushing	95 mm		KOM-707-52-90710	57.53
	205-63-63340	A82001-		P-UB-14	95 mm	135 mm	KOM-707-99-57200	396.04
BOOM	205-63-02051	80001-84384		P-U-14	90 mm	130 mm	KOM-707-98-47600	416.91
	205-63-02501	80001-84384		Bushing	85 mm		KOM-707-52-90600	44.67
	205-63-02502	84385-		P-UB-14	85 mm	120 mm	KOM-707-99-46600	298.63
	205-63-02502	84385-		Bushing	85 mm		KOM-707-52-90600	44.67
	206-63-54141	A82001-		P-UB-14	90 mm	130 mm	KOM-707-99-47600	325.08
	20Y-63-03101	96514-		P-UB-14	85 mm	120 mm	KOM-707-99-46270	309.41
BUCKET	205-63-02131	80001-84384		P-UB-14	80 mm	115 mm	KOM-707-98-45220	447.45
	205-63-02131	80001-84384		Bushing	80 mm		KOM-707-52-90550	40.95
	205-63-02132	84385-		P-UB-14	80 mm	115 mm	KOM-707-98-45220	447.45
	205-63-02132	84385-		Bushing	80 mm		KOM-707-52-90550	40.95
	205-63-73340	A82001-		P-UB-14	80 mm	115 mm	KOM-707-98-45220	447.45
	208-63-73340	A82001-		P-UB-14	80 mm	115 mm	KOM-707-98-45220	447.45
BUCKET (Demo Spec)	206-63-73340	A82001-		P-UB-14	90 mm	130 mm	KOM-707-98-47620	493.45
MODEL PC210-6K								
ARM	20Y-63-K1170	K30001-		P-UB-14	95 mm	135 mm	KOM-707-99-57200	396.04
BOOM (2pc - 1st Cyl)	205-63-K1360	K30001-K30873		P-UB-14	85 mm	120 mm	KOM-707-99-46600	298.63
	205-63-K1361	K30874-		P-UB-14	85 mm	120 mm	KOM-707-99-46600	298.63
BOOM (2pc - 2nd Cyl)	205-63-K1370	K30001-		P-UB-14	110 mm	160 mm	KOM-205-63-K1370K	455.45
BOOM LH	205-63-K1170	K30001-K30873		P-UB-14	85 mm	120 mm	KOM-707-99-46600	298.63
	205-63-K1171	K30874-		P-UB-14	85 mm	120 mm	KOM-707-99-46600	298.63
BOOM RH	205-63-K1180	K30001-K30873		P-UB-14	85 mm	120 mm	KOM-707-99-46600	298.63
	205-63-K1181	K30874-		P-UB-14	85 mm	120 mm	KOM-707-99-46600	298.63
BUCKET	20Y-63-K1180	K30001-		P-UB-14	85 mm	125 mm	KOM-707-99-46290	493.01
MODEL PC210-7K								
ARM	707-01-0A310	K40001-		P-UB-14	95 mm	135 mm	KOM-707-99-57160	479.52
BOOM	707-01-0A290	K40001-		P-UB-14	85 mm	120 mm	KOM-707-99-46130	494.01
BUCKET	707-01-0A320	K40001-		P-UB-14	80 mm	115 mm	KOM-707-99-45230	260.16
MODEL PC210LC-6								
ARM	205-63-02521	A80001-		P-UB-14	95 mm	135 mm	KOM-707-99-57200	396.04
	205-63-63340	A82001-		P-UB-14	95 mm	135 mm	KOM-707-99-57200	396.04
BOOM	206-63-02501	A80001-		P-UB-14	90 mm	130 mm	KOM-707-99-47600	325.08
	206-63-54141	A82001-		P-UB-14	90 mm	130 mm	KOM-707-99-47600	325.08
BUCKET	205-63-73340	A82001-		P-UB-14	80 mm	115 mm	KOM-707-98-45220	447.45
	208-63-73340	A82001-		P-UB-14	80 mm	115 mm	KOM-707-98-45220	447.45
BUCKET (2.9M Arm)	205-63-02130	A80001-		P-UB-14	80 mm	115 mm	KOM-707-98-45220	447.45

LT - Large size tire L/S - Loading Shovel SLF - Super Long Front B/H - Backhoe HD - Heavy Duty L BUCKET - Large Bucket
 K-LINK - K-type Linkage Blade LB HI-LIFT - High Lift Arm w Large Bucket HI-LIFT - High Lift Arm S HI-LIFT - Super High Lift Arm
 SU - Semi-U Dozer PAT - Power Angle Power Tilt MP - Mult-Purpose

KOMATSU

Replacement Kits For

Excavators								
APPLICATION	CYL #	SERIAL #	Misc	CODE	ROD	BORE	KIT #	List \$
MODEL PC210LC-6								
BUCKET (2.9M Arm)	206-63-02130	A80001-	Demo Spec	P-UB-14	90 mm	130 mm	KOM-707-98-47620	493.45
BUCKET (Demo Spec)	206-63-73340	A82001-		P-UB-14	90 mm	130 mm	KOM-707-98-47620	493.45
MODEL PC210LC-6K								
ARM	20Y-63-K1170	K30001-		P-UB-14	95 mm	135 mm	KOM-707-99-57200	396.04
BOOM (2pc - 1st Cyl)	205-63-K1360	K30001-K30873		P-UB-14	85 mm	120 mm	KOM-707-99-46600	298.63
	205-63-K1361	K30874-		P-UB-14	85 mm	120 mm	KOM-707-99-46600	298.63
BOOM (2pc - 2nd Cyl)	205-63-K1370	K30001-		P-UB-14	110 mm	160 mm	KOM-205-63-K1370K	455.45
BOOM LH	205-63-K1170	K30001-K30873		P-UB-14	85 mm	120 mm	KOM-707-99-46600	298.63
	205-63-K1171	K30874-		P-UB-14	85 mm	120 mm	KOM-707-99-46600	298.63
BOOM RH	205-63-K1180	K30001-K30873		P-UB-14	85 mm	120 mm	KOM-707-99-46600	298.63
	205-63-K1181	K30874-		P-UB-14	85 mm	120 mm	KOM-707-99-46600	298.63
BUCKET	20Y-63-K1180	K30001-		P-UB-14	85 mm	125 mm	KOM-707-99-46290	493.01
MODEL PC210LC-7K								
ARM	707-01-0A310	K40001-		P-UB-14	95 mm	135 mm	KOM-707-99-57160	479.52
BOOM	707-01-0A290	K40001-		P-UB-14	85 mm	120 mm	KOM-707-99-46130	494.01
BUCKET	707-01-0A320	K40001-		P-UB-14	80 mm	115 mm	KOM-707-99-45230	260.16
MODEL PC210LC-8K								
ARM	707-01-0H580	K50001-		P-UB-14	95 mm	135 mm	KOM-707-98-48610	343.91
	707-01-0H580	K50001-		Bushing	95 mm		KOM-707-52-90720	45.45
	707-01-0H600	K50001-	Burst Valve	P-UB-14	95 mm	135 mm	KOM-707-98-48610	343.91
	707-01-0H600	K50001-	Burst Valve	Bushing	95 mm		KOM-707-52-90720	45.45
	707-01-0H601	K53811-	Burst Valve	P-UB-14	95 mm	135 mm	KOM-707-99-50500	195.90
	707-01-0H601	K53811-	Burst Valve	Bushing	95 mm		KOM-707-52-90721	45.45
BOOM	707-01-0H600	K50001-	2pc Boom	P-UB-14	100 mm	160 mm	KOM-707-99-66350	196.01
	707-01-0H600	K50001-	2pc Boom	Bushing	100 mm		KOM-707-52-90780	50.23
BOOM LH	707-01-0K520	K50001-		P-UB-14	85 mm	120 mm	KOM-707-98-46280	224.91
	707-01-0K520	K50001-		Bushing	85 mm		KOM-707-52-90610	41.83
	707-01-0K540	K50001-	2pc Boom	P-UB-14	85 mm	120 mm	KOM-707-99-46390	148.27
	707-01-0K540	K50001-	2pc Boom	Bushing	100 mm		KOM-707-52-90780	50.23
BOOM RH	707-01-0H580	K50001-	2pc Boom	P-UB-14	85 mm	120 mm	KOM-707-99-46390	148.27
	707-01-0H580	K50001-	2pc Boom	Bushing	85 mm		KOM-707-52-90610	41.83
	707-01-0K520	K50001-		P-UB-14	85 mm	120 mm	KOM-707-98-46280	224.91
	707-01-0K520	K50001-		Bushing	85 mm		KOM-707-52-90610	41.83
BUCKET	707-01-0H740	K50001-	For 2.9m Arm	P-UB-14	80 mm	115 mm	KOM-707-98-39610	260.16
	707-01-0H740	K50001-	For 2.9m Arm	Bushing	80 mm		KOM-707-52-90560	37.68
	707-01-0J080	K50001-	1.8m, 2.4m Arm	P-UB-14	85 mm	125 mm	KOM-707-99-47130	213.09
	707-01-0J080	K50001-	1.8m, 2.4m Arm	Bushing	85 mm		KOM-707-52-90610	41.83
	707-F1-00080	K53751-	For 2.4m Arm	P-UB-14	85 mm	125 mm	KOM-707-99-47040	213.09
	707-F1-00080	K53751-	For 2.4m Arm	Bushing	85 mm		KOM-707-52-90610	41.83
	707-F1-00090	K53751-	For 2.9m Arm	P-UB-14	80 mm	115 mm	KOM-707-99-45040	169.53
	707-F1-00090	K53751-	For 2.9m Arm	Bushing	80 mm		KOM-707-52-90560	37.68
MODEL PC210LC-10								
ARM	707-E1-01430	A10001-UP		P-UB-14	95 mm	135 mm	KOM-707-99-50520	218.92
	707-E1-01430	A10001-UP		Bushing	95 mm		KOM-707-52-90721	45.45
BOOM	707-E1-01510	A10001-UP		P-UB-14	90 mm	130 mm	KOM-707-99-48740	234.42
	707-E1-01510	A10001-UP		Bushing	90 mm		KOM-707-52-90681	44.23
BUCKET	707-E1-01480	A10001-UP		P-UB-14	80 mm	115 mm	KOM-707-98-39611	230.52
	707-E1-01480	A10001-UP		Bushing	80 mm		KOM-707-52-90561	37.68
TRACK ADJUSTER		450001-		TRK ADJ			KOM-SK100173	136.52
		450001-	kit w/ valve	TRK ADJ			KOM-SK100154	204.24
		A10001-		TRK ADJ			KOM-SK100173	136.52
		A10001-	kit w/ valve	TRK ADJ			KOM-SK100154	204.24
MODEL PC210LC-11								
ARM	707-E1-01430	500001-		P-UB-14	95 mm	135 mm	KOM-721-98-00690	229.01

LT - Large size tire L/S - Loading Shovel SLF - Super Long Front B/H - Backhoe HD - Heavy Duty L BUCKET - Large Bucket
 K-LINK - K-type Linkage Blade LB HI-LIFT - High Lift Arm w Large Bucket HI-LIFT - High Lift Arm S HI-LIFT - Super High Lift Arm
 SU - Semi-U Dozer PAT - Power Angle Power Tilt MP - Mult-Purpose

FORMERLY LISTED REPAIR PARTS ARE AVAILABLE ONLINE AT WWW.HERCULESCA.CA
 OR BY CONTACTING YOUR REGIONAL HERCULES SALES TEAM.

Replacement Kits For

KOMATSU

Excavators								
APPLICATION	CYL #	SERIAL #	Misc	CODE	ROD	BORE	KIT #	List \$
MODEL PC210LC-11								
ARM	707-E1-01430	500001-		Bushing	95 mm		KOM-707-52-90721	45.45
	707-E1-01430	A12001-		P-UB-14	95 mm	135 mm	KOM-721-98-00690	229.01
	707-E1-01430	A12001-		Bushing	95 mm		KOM-707-52-90721	45.45
BOOM LH	707-E1-01510	500001-		P-UB-14	90 mm	130 mm	KOM-721-98-00860	362.33
	707-E1-01510	500001-		Bushing	90 mm		KOM-707-52-90681	44.23
	707-E1-01510	A12001-		P-UB-14	90 mm	130 mm	KOM-721-98-00860	362.33
BOOM RH	707-E1-01510	A12001-		Bushing	90 mm		KOM-707-52-90681	44.23
	707-E1-01510	500001-		P-UB-14	90 mm	130 mm	KOM-721-98-00860	362.33
	707-E1-01510	500001-		Bushing	90 mm		KOM-707-52-90681	44.23
BUCKET	707-E1-01480	500001-		P-UB-14	80 mm	115 mm	KOM-721-98-00710	229.97
	707-E1-01480	500001-		Bushing	80 mm		KOM-707-52-90561	37.68
	707-E1-01480	A12001-		P-UB-14	80 mm	115 mm	KOM-721-98-00710	229.97
TRACK ADJUSTER		500001-; A12001-	w/ valve	TRK ADJ			KOM-SK100154	204.24
		500001-; A12001-		TRK ADJ			KOM-SK100173	136.52
MODEL PC210LCi-10								
ARM		455859-		P-UB-14	95 mm	135 mm	KOM-721-98-02330	586.53
		455859-		Bushing	95 mm		KOM-707-52-90721	45.45
	707-G7-00140	451680-455858		P-UB-14	95 mm	135 mm	KOM-721-98-00170	256.00
	707-G7-00140	451680-455858		Bushing	95 mm		KOM-707-52-90721	45.45
BOOM LH		455859-		P-UB-14	85 mm	120 mm	KOM-721-98-02620	585.24
		455859-		Bushing	85 mm		KOM-707-52-90611	41.83
	707-G7-00130	451680-455858		P-UB-14	85 mm	120 mm	KOM-721-98-00160	604.58
BOOM RH	707-G7-00130	451680-455858		Bushing	85 mm		KOM-707-52-90611	41.83
	707-G1-02940	451680-		P-UB-14	85 mm	120 mm	KOM-721-98-00660	587.71
BUCKET	707-G1-02940	451680-		Bushing	85 mm		KOM-707-52-90611	41.83
	707-G7-00120	451680-		P-UB-14	80 mm	115 mm	KOM-721-98-00180	298.29
TRACK ADJUSTER	707-G7-00120	451680-		Bushing	80 mm		KOM-707-52-15520	36.64
	707-G7-00120	451680-		Bushing	80 mm		KOM-707-52-90561	37.68
TRACK ADJUSTER		451080-	w/ valve	TRK ADJ			KOM-SK100154	204.24
		451080-		TRK ADJ			KOM-SK100173	136.52
MODEL PC210LCi-11								
ARM	707-G7-00480	500470-		P-UB-14	95 mm	135 mm	KOM-721-98-02440	595.83
	707-G7-00480	500470-		Bushing	95 mm		KOM-707-52-15770	44.00
	707-G7-00480	500470-		Bushing	95 mm		KOM-707-52-90721	45.45
BOOM LH	707-G7-00471	500516-		P-UB-14	90 mm	130 mm	KOM-721-98-02460	408.88
	707-G7-00471	500516-		Bushing	90 mm		KOM-707-52-15600	40.03
	707-G7-00471	500516-		Bushing	90 mm		KOM-707-52-90681	44.23
BOOM RH	707-G1-04210	500470-		P-UB-14	95 mm	135 mm	KOM-721-98-02330	586.53
	707-G1-04210	500470-		Bushing	90 mm		KOM-707-52-90681	44.23
BUCKET	707-G7-00490	500470-		P-UB-14	80 mm	115 mm	KOM-721-98-00180	298.29
	707-G7-00490	500470-		Bushing	80 mm		KOM-707-52-15520	36.64
	707-G7-00490	500470-		Bushing	80 mm		KOM-707-52-90561	37.68
TRACK ADJUSTER		500470-		TRK ADJ			KOM-SK100173	136.52
		500470-	w/ valve	TRK ADJ			KOM-SK100154	204.24
MODEL PC210NLC-7K								
ARM	707-01-0A310	K40001-		P-UB-14	95 mm	135 mm	KOM-707-99-57160	479.52
BOOM	707-01-0A290	K40001-		P-UB-14	85 mm	120 mm	KOM-707-99-46130	494.01
BUCKET	707-01-0A320	K40001-		P-UB-14	80 mm	115 mm	KOM-707-99-45230	260.16
MODEL PC220-6								
ARM	206-63-02521	40001-52851		P-UB-14	100 mm	140 mm	KOM-707-99-58200	297.34
	206-63-03120	52852-53173		P-UB-14	100 mm	140 mm	KOM-707-99-58300	239.41
	206-63-03121	53174-56420		P-UB-14	100 mm	140 mm	KOM-707-99-58350	372.92

LT - Large size tire L/S - Loading Shovel SLF - Super Long Front B/H - Backhoe HD - Heavy Duty L BUCKET - Large Bucket
 K-LINK - K-type Linkage Blade LB HI-LIFT - High Lift Arm w Large Bucket HI-LIFT - High Lift Arm S HI-LIFT - Super High Lift Arm
 SU - Semi-U Dozer PAT - Power Angle Power Tilt MP - Mult-Purpose

KOMATSU

Replacement Kits For

Excavators								
APPLICATION	CYL #	SERIAL #	Misc	CODE	ROD	BORE	KIT #	List \$
MODEL PC220-6								
ARM	707-01-0E580	56421-		P-UB-14	100 mm	140 mm	KOM-707-99-58350	372.92
BOOM	206-63-02501	40001-52851		P-UB-14	90 mm	130 mm	KOM-707-99-47600	325.08
	206-63-03100	52852-		P-UB-14	90 mm	130 mm	KOM-707-99-47660	339.77
	206-63-07100	50001-52851		P-UB-14	90 mm	130 mm	KOM-707-99-47600	325.08
	206-63-07200	52852-		P-UB-14	90 mm	130 mm	KOM-707-99-47660	339.77
BOOM LIFT	206-63-02801	50001-52851		P-UB-14	100 mm	140 mm	KOM-707-99-58260	181.55
	206-63-03300	52852-		P-UB-14	100 mm	140 mm	KOM-707-99-58310	191.07
	206-63-07140	50001-52851		P-UB-14	100 mm	140 mm	KOM-707-99-58260	181.55
	206-63-07240	52852-		P-UB-14	100 mm	140 mm	KOM-707-99-58310	191.07
BUCKET	206-63-02130	40001-52851		P-UB-14	90 mm	130 mm	KOM-707-98-47620	493.45
	206-63-02140	40001-52851		P-UB-14	100 mm	140 mm	KOM-707-98-58240	271.51
	206-63-02140	50001-52851		P-UB-14	100 mm	140 mm	KOM-707-99-58240	631.62
	206-63-03130	52852-		P-UB-14	90 mm	130 mm	KOM-707-99-47670	494.23
	206-63-03140	52852-		P-UB-14	100 mm	140 mm	KOM-707-99-58320	317.98
	206-63-07030	50001-		P-UB-14	90 mm	130 mm	KOM-707-98-47620	493.45
MODEL PC220LC-6								
ARM	206-63-02521	50001-		Bushing	100 mm		KOM-707-52-90750	71.72
	206-63-02521	50001-52851		P-UB-14	100 mm	140 mm	KOM-707-99-58200	297.34
	206-63-02521	A80001-		Bushing	100 mm		KOM-707-52-90750	71.72
	206-63-02521	A80001-A82000		P-UB-14	100 mm	140 mm	KOM-707-99-58200	297.34
	206-63-03120	52852-53173		P-UB-14	100 mm	140 mm	KOM-707-99-58300	239.41
	206-63-03121	53174-56420		P-UB-14	100 mm	140 mm	KOM-707-99-58350	372.92
	707-01-0E580	56421-		P-UB-14	100 mm	140 mm	KOM-707-99-58350	372.92
BOOM	206-63-02501	50001-		Bushing	90 mm		KOM-707-52-90650	51.52
	206-63-02501	50001-52851		P-UB-14	90 mm	130 mm	KOM-707-99-47600	325.08
	206-63-02801	A80001-		Bushing	100 mm		KOM-707-52-90750	71.72
	206-63-02801	A80001-A82000		P-UB-14	100 mm	140 mm	KOM-707-99-58260	181.55
	206-63-03100	52852-		P-UB-14	90 mm	130 mm	KOM-707-99-47660	339.77
	206-63-07100	50001-52851		P-UB-14	90 mm	130 mm	KOM-707-99-47600	325.08
	206-63-07200	52852-		P-UB-14	90 mm	130 mm	KOM-707-99-47660	339.77
BOOM LIFT	206-63-02801	50001-52851		P-UB-14	100 mm	140 mm	KOM-707-99-58260	181.55
	206-63-03300	52852-		P-UB-14	100 mm	140 mm	KOM-707-99-58310	191.07
	206-63-07140	50001-52851		P-UB-14	100 mm	140 mm	KOM-707-99-58260	181.55
	206-63-07240	52852-		P-UB-14	100 mm	140 mm	KOM-707-99-58310	191.07
BUCKET	206-63-02130	50001-		Bushing	90 mm		KOM-707-52-90650	51.52
	206-63-02130	50001-52851		P-UB-14	90 mm	130 mm	KOM-707-98-47620	493.45
	206-63-02130	A80001-		Bushing	90 mm		KOM-707-52-90650	51.52
	206-63-02130	A80001-A82000		P-UB-14	90 mm	130 mm	KOM-707-98-47620	493.45
	206-63-02140	50001-52851		P-UB-14	100 mm	140 mm	KOM-707-99-58240	631.62
	206-63-02140	A80001-A82000		P-UB-14	100 mm	140 mm	KOM-707-99-58240	631.62
	206-63-03130	52852-		P-UB-14	90 mm	130 mm	KOM-707-99-47670	494.23
	206-63-03140	52852-		P-UB-14	100 mm	140 mm	KOM-707-99-58320	317.98
	206-63-07030	50001-		P-UB-14	90 mm	130 mm	KOM-707-98-47620	493.45
	MODEL PC220LC-6LC							
ARM	206-63-02521	A82001-A83000		P-UB-14	100 mm	140 mm	KOM-707-99-58200	297.34
BOOM	206-63-02801	A82001-A83000		P-UB-14	100 mm	140 mm	KOM-707-99-58260	181.55
BUCKET	206-63-02130	A82001-A83000		P-UB-14	90 mm	130 mm	KOM-707-98-47620	493.45
	206-63-02140	A82001-A83000		P-UB-14	100 mm	140 mm	KOM-707-99-58240	631.62
MODEL PC220LC-6LE								
ARM	206-63-03120	A83001-A83986		P-UB-14	100 mm	140 mm	KOM-707-99-58350	372.92
	206-63-03121	A83987-		P-UB-14	100 mm	140 mm	KOM-707-99-58350	372.92
BOOM	206-63-02801	A83001-		P-UB-14	100 mm	140 mm	KOM-707-99-58260	181.55
	206-63-03300	A83001-		P-UB-14	100 mm	140 mm	KOM-707-99-58310	191.07
BUCKET	206-63-02140	A83001-		P-UB-14	100 mm	140 mm	KOM-707-99-58240	631.62
	206-63-03130	A83001-		P-UB-14	90 mm	130 mm	KOM-707-98-47670	451.52

LT - Large size tire L/S - Loading Shovel SLF - Super Long Front B/H - Backhoe HD - Heavy Duty L BUCKET - Large Bucket
 K-LINK - K-type Linkage Blade LB HI-LIFT - High Lift Arm w Large Bucket HI-LIFT - High Lift Arm S HI-LIFT - Super High Lift Arm
 SU - Semi-U Dozer PAT - Power Angle Power Tilt MP - Mult-Purpose

FORMERLY LISTED REPAIR PARTS ARE AVAILABLE ONLINE AT WWW.HERCULESCA.CA
 OR BY CONTACTING YOUR REGIONAL HERCULES SALES TEAM.

Replacement Kits For

KOMATSU

Excavators								
APPLICATION	CYL #	SERIAL #	Misc	CODE	ROD	BORE	KIT #	List \$
MODEL PC220LC-6LE								
BUCKET	206-63-03140	A83001-		P-UB-14	100 mm	140 mm	KOM-707-99-58320	317.98
MODEL PC220LC-7								
ARM	707-01-0A370	60001-60273		P-UB-14	100 mm	140 mm	KOM-707-99-58070	272.86
	707-01-0A371	60274-		P-UB-14	100 mm	140 mm	KOM-707-99-58070	272.86
	707-01-0A372	60767-		P-UB-14	100 mm	140 mm	KOM-707-99-58070	272.86
	707-01-0C690	60001-60273		P-UB-14	100 mm	140 mm	KOM-707-99-58070	272.86
	707-01-0C691	60274-		P-UB-14	100 mm	140 mm	KOM-707-99-58070	272.86
ARM (SLF)	707-01-0A311	60001-65888		P-UB-14	95 mm	135 mm	KOM-707-99-57160	479.52
	707-01-0A312	65889-		P-UB-14	95 mm	135 mm	KOM-707-99-57160	479.52
BOOM	707-01-0A350	60001-		P-UB-14	90 mm	130 mm	KOM-707-99-47790	289.45
	707-01-0C670	60001-		P-UB-14	90 mm	130 mm	KOM-707-99-47790	289.45
BOOM (Lrg Dia Type)	707-01-0C040	60001-		P-UB-14	95 mm	135 mm	KOM-707-99-50620	423.06
BUCKET	707-01-0A240	60001-		P-UB-14	100 mm	140 mm	KOM-707-99-58060	545.64
	707-01-0A380	60001-		P-UB-14	90 mm	130 mm	KOM-707-99-47570	419.71
	707-01-0A381	60759-		P-UB-14	90 mm	130 mm	KOM-707-99-47570	419.71
	707-01-0A382	60767-		P-UB-14	90 mm	130 mm	KOM-707-99-47570	419.71
	707-01-0C700	60001-		P-UB-14	90 mm	130 mm	KOM-707-99-47570	419.71
	707-01-0C701	60759-		P-UB-14	90 mm	130 mm	KOM-707-99-47570	419.71
	707-01-0G492	65889-		P-UB-14	90 mm	130 mm	KOM-707-99-47570	419.71
	707-01-0G502	60767-		P-UB-14	100 mm	140 mm	KOM-707-99-58060	545.64
	707-01-0H430	65001-		P-UB-14	100 mm	140 mm	KOM-707-99-58060	545.64
	707-01-0H720	65889-		P-UB-14	90 mm	130 mm	KOM-707-99-47570	419.71
	707-13-13611	65001-		P-UB-14	90 mm	130 mm	KOM-707-99-47570	419.71
BUCKET (SLF)	707-01-0F040	65272-		P-UB-14	65 mm	95 mm	KOM-707-99-25870	220.42
MODEL PC220LC-7L								
ARM	707-01-0A371	A86001-		P-UB-14	100 mm	140 mm	KOM-707-99-58070	272.86
BOOM (Lrg Dia Type)	707-01-0C040	A86001-		P-UB-14	95 mm	135 mm	KOM-707-99-50620	423.06
BUCKET	707-01-0A380	A86001-		P-UB-14	90 mm	130 mm	KOM-707-99-47570	419.71
MODEL PC220LC-8								
ARM	707-01-0H700	70001-		P-UB-14	100 mm	140 mm	KOM-707-98-58240	271.51
	707-01-0H700	70001-		Bushing	100 mm		KOM-707-52-90780	50.23
	707-01-0H700	80001-		P-UB-14	100 mm	140 mm	KOM-707-98-58240	271.51
	707-01-0H700	80001-		Bushing	100 mm		KOM-707-52-90780	50.23
	707-01-0H700	A88001-	KLC Spec	P-UB-14	100 mm	140 mm	KOM-707-98-58240	271.51
	707-01-0H700	A88001-	KLC Spec	Bushing	100 mm		KOM-707-52-90781	50.23
	707-01-0H710	70001-		P-UB-14	90 mm	130 mm	KOM-707-01-0H710K	196.00
	707-01-0H710	70001-		Bushing	90 mm		KOM-707-52-90680	44.23
	707-01-0H920	70001-		P-UB-14	90 mm	130 mm	KOM-707-01-0H920K	196.00
	707-01-0H920	70001-		Bushing	90 mm		KOM-707-52-90680	44.23
	707-01-0J840	70001-		P-UB-14	100 mm	140 mm	KOM-707-98-58240	271.51
	707-01-0J840	70001-		Bushing	100 mm		KOM-707-52-90780	50.23
	707-01-0J840	80001-	Burst Valve	P-UB-14	100 mm	140 mm	KOM-707-98-58240	271.51
	707-01-0J840	80001-	Burst Valve	Bushing	100 mm		KOM-707-52-90780	50.23
BOOM	707-01-0H700	80001-	For Arm Crane, Burst Valve	P-UB-14	100 mm	140 mm	KOM-707-98-58240	271.51
	707-01-0H700	80001-	For Arm Crane, Burst Valve	Bushing	100 mm		KOM-707-52-90780	50.23
	707-01-0H850	70001-	Large Diameter Type	P-UB-14	95 mm	135 mm	KOM-707-99-50680	210.95
	707-01-0H850	70001-	Large Diameter Type	Bushing	95 mm		KOM-707-52-90720	45.45

LT - Large size tire L/S - Loading Shovel SLF - Super Long Front B/H - Backhoe HD - Heavy Duty L BUCKET - Large Bucket
 K-LINK - K-type Linkage Blade LB HI-LIFT - High Lift Arm w Large Bucket HI-LIFT - High Lift Arm S HI-LIFT - Super High Lift Arm
 SU - Semi-U Dozer PAT - Power Angle Power Tilt MP - Mulit-Purpose

Replacement Kits For

KOMATSU

KOMATSU

Excavators								
APPLICATION	CYL #	SERIAL #	Misc	CODE	ROD	BORE	KIT #	List \$
MODEL PC220LC-8								
BOOM	707-01-0H890	80001-	For Arm Crane, Burst Valve	P-UB-14	90 mm	130 mm	KOM-707-98-47730	289.63
	707-01-0H890	80001-	For Arm Crane, Burst Valve	Bushing	90 mm		KOM-707-52-90680	44.23
	707-01-0J790	80001-	Burst Valve	P-UB-14	90 mm	130 mm	KOM-707-98-47730	289.63
	707-01-0J790	80001-	Burst Valve	Bushing	90 mm		KOM-707-52-90680	44.23
BOOM LH	707-01-0H680	70001-		P-UB-14	90 mm	130 mm	KOM-707-98-47730	289.63
	707-01-0H680	70001-		P-UB-14	90 mm	130 mm	KOM-707-01-0H680K	203.00
	707-01-0H680	70001-		Bushing	90 mm		KOM-707-52-90680	44.23
	707-01-0H680	80001-		P-UB-14	90 mm	130 mm	KOM-707-98-47730	289.63
	707-01-0H680	80001-		Bushing	90 mm		KOM-707-52-90680	44.23
	707-01-0H850	70001-		P-UB-14	95 mm	135 mm	KOM-707-01-0H850K	241.31
	707-01-0H850	70001-		Bushing	95 mm		KOM-707-52-90721	45.45
	707-01-0H850	80001-	Lift	P-UB-14	95 mm	135 mm	KOM-707-99-50680	210.95
	707-01-0H850	80001-	Lift	Bushing	95 mm		KOM-707-52-90720	45.45
	707-01-0H850	A88001-		P-UB-14	95 mm	135 mm	KOM-707-99-50680	210.95
	707-01-0H850	A88001-		Bushing	95 mm		KOM-707-52-90721	45.45
	707-01-0J790	80001-		P-UB-14	90 mm	130 mm	KOM-707-98-47730	289.63
	707-01-0J790	80001-		Bushing	90 mm		KOM-707-52-90680	44.23
	707-01-0J970	70001-		P-UB-14	90 mm	130 mm	KOM-707-98-47730	289.63
707-01-0J970	70001-		Bushing	90 mm		KOM-707-52-90680	44.23	
BOOM RH	707-01-0H680	70001-		P-UB-14	90 mm	130 mm	KOM-707-98-47730	289.63
	707-01-0H680	70001-		P-UB-14	90 mm	130 mm	KOM-707-01-0H680K	203.00
	707-01-0H680	70001-		Bushing	90 mm		KOM-707-52-90680	44.23
	707-01-0H680	80001-		P-UB-14	90 mm	130 mm	KOM-707-98-47730	289.63
	707-01-0H680	80001-		Bushing	90 mm		KOM-707-52-90680	44.23
	707-01-0H850	70001-		P-UB-14	95 mm	135 mm	KOM-707-01-0H850K	241.31
	707-01-0H850	70001-		Bushing	95 mm		KOM-707-52-90721	45.45
	707-01-0H850	A88001-		P-UB-14	95 mm	135 mm	KOM-707-99-50680	210.95
	707-01-0H850	A88001-		Bushing	95 mm		KOM-707-52-90721	45.45
	707-01-0J790	70001-		P-UB-14	90 mm	130 mm	KOM-707-98-47730	289.63
	707-01-0J790	70001-		Bushing	90 mm		KOM-707-52-90680	44.23
	707-01-0J790	80001-		P-UB-14	90 mm	130 mm	KOM-707-98-47730	289.63
	707-01-0J790	80001-		Bushing	90 mm		KOM-707-52-90680	44.23
	BUCKET	707-01-0H710	80001-		P-UB-14	90 mm	130 mm	KOM-707-98-47720
707-01-0H710		80001-		Bushing	90 mm		KOM-707-52-90680	44.23
707-01-0H920		70001-	KA Spec	P-UB-14	90 mm	130 mm	KOM-707-98-47720	419.80
707-01-0H920		70001-	KA Spec	Bushing	90 mm		KOM-707-52-90680	44.23
707-01-0H920		80001-	3.0m Arm	P-UB-14	90 mm	130 mm	KOM-707-98-47720	419.80
707-01-0H920		80001-	3.0m Arm	Bushing	90 mm		KOM-707-52-90680	44.23
707-01-0H920		A88001-		P-UB-14	90 mm	130 mm	KOM-707-98-47720	419.80
707-01-0H920		A88001-		Bushing	90 mm		KOM-707-52-90681	44.23
707-01-0J080		70001-	1.8m Arm	P-UB-14	85 mm	125 mm	KOM-707-99-47130	213.09
707-01-0J080		70001-	1.8m Arm	Bushing	85 mm		KOM-707-52-90610	41.83
707-01-0J080		80001-	1.8m Arm	P-UB-14	85 mm	125 mm	KOM-707-99-47130	213.09
707-01-0J080		80001-	1.8m Arm	Bushing	85 mm		KOM-707-52-90610	41.83
707-01-0J860		70001-		P-UB-14	90 mm	130 mm	KOM-707-98-47720	419.80
707-01-0J860		70001-		Bushing	90 mm		KOM-707-52-90680	44.23
707-01-0J860		80001-		P-UB-14	90 mm	130 mm	KOM-707-98-47720	419.80
707-01-0J860		80001-		Bushing	90 mm		KOM-707-52-90680	44.23
707-01-0J860		A88001-	KLC Spec	P-UB-14	90 mm	130 mm	KOM-707-98-47720	419.80
707-01-0J860		A88001-	KLC Spec	Bushing	90 mm		KOM-707-52-90681	44.23
707-01-0J870		70001-		P-UB-14	90 mm	130 mm	KOM-707-98-47720	419.80
707-01-0J870		70001-		Bushing	90 mm		KOM-707-52-90680	44.23

LT - Large size tire L/S - Loading Shovel SLF - Super Long Front B/H - Backhoe HD - Heavy Duty L BUCKET - Large Bucket
 K-LINK - K-type Linkage Blade LB HI-LIFT - High Lift Arm w Large Bucket HI-LIFT - High Lift Arm S HI-LIFT - Super High Lift Arm
 SU - Semi-U Dozer PAT - Power Angle Power Tilt MP - Multi-Purpose

Replacement Kits For

KOMATSU

Excavators								
APPLICATION	CYL #	SERIAL #	Misc	CODE	ROD	BORE	KIT #	List \$
MODEL PC220LC-8								
BUCKET	707-01-0J870	80001-		P-UB-14	90 mm	130 mm	KOM-707-98-47720	419.80
	707-01-0J870	80001-		Bushing	90 mm		KOM-707-52-90680	44.23
	707-01-0J900	70001-	2.0m Arm	P-UB-14	100 mm	140 mm	KOM-707-99-59020	515.46
	707-01-0J900	70001-	2.0m Arm	Bushing	100 mm		KOM-707-52-90780	50.23
	707-01-0J900	80001-	2.0m Arm	P-UB-14	100 mm	140 mm	KOM-707-99-59020	515.46
	707-01-0J900	80001-	2.0m Arm	Bushing	100 mm		KOM-707-52-90780	50.23
	707-01-0J910	70001-	2.0m Arm	P-UB-14	100 mm	140 mm	KOM-707-99-59020	515.46
	707-01-0J910	70001-	2.0m Arm	Bushing	100 mm		KOM-707-52-90780	50.23
	707-01-0J910	80001-	2.0m Arm	P-UB-14	100 mm	140 mm	KOM-707-99-59020	515.46
CLAMSHELL	205-63-94100	70001-		P-U-14	80 mm	130 mm	KOM-205-63-94100K	82.75
	205-63-94100	70001-		Bushing	80 mm		KOM-07177-08030	37.68
TRACK ADJUSTER		A88001-		TRK ADJ			KOM-SK100173	136.52
		A88001-	kit w/ valve	TRK ADJ			KOM-SK100154	204.24
MODEL PC228USLC-1								
ARM	22U-63-02222	11001-		P-UB-14	95 mm	135 mm	KOM-707-99-57270	495.25
BOOM	22U-63-02203	11001-		P-UB-14	85 mm	120 mm	KOM-707-98-46220	172.05
BUCKET	22U-63-02240	11001-		P-UB-14	90 mm	130 mm	KOM-707-99-47670	494.23
MODEL PC228USLC-2								
ARM	205-63-03122	15001-15922		P-UB-14	95 mm	135 mm	KOM-707-99-57270	495.25
	707-01-0E570	15923-		P-UB-14	95 mm	135 mm	KOM-707-99-57270	495.25
BOOM	22U-63-02103	15001-		P-UB-14	90 mm	130 mm	KOM-707-99-47730	311.51
	22U-63-02450	15321-		P-UB-14	85 mm	120 mm	KOM-707-98-46220	172.05
BUCKET	205-63-03131	15001-		P-UB-14	80 mm	100 mm	KOM-707-98-45250	343.37
MODEL PC228USLC-3								
ARM	707-01-0A311	30001-		P-UB-14	95 mm	135 mm	KOM-707-99-57160	479.52
BLADE LH	22U-63-02550	30001-		P-UB-14	100 mm	140 mm	KOM-707-99-58390	190.83
BLADE RH	22U-63-02560	30001-		P-UB-14	100 mm	140 mm	KOM-707-99-58390	190.83
BOOM	707-01-0E770	30001-		P-UB-14	85 mm	120 mm	KOM-707-99-46130	494.01
	707-01-0F300	30001-		P-UB-14	85 mm	120 mm	KOM-707-99-46130	494.01
BOOM (Lrg Dia Type)	707-01-0E790	30001-		P-UB-14	90 mm	130 mm	KOM-707-99-47790	289.45
BOOM ADJUST	707-01-0E270	30001-		P-UB-14	120 mm	185 mm	KOM-707-99-68730	520.27
BUCKET	707-01-0A320	30001-		P-UB-14	80 mm	115 mm	KOM-707-99-45230	260.16
MODEL PC228USLC-3E0								
ARM	707-01-0H600	40001-		P-UB-14	95 mm	135 mm	KOM-707-98-48610	343.91
BOOM	707-01-0K860	40001-		P-UB-14	85 mm	120 mm	KOM-707-98-46300	178.30
BOOM (Lrg Dia Type)	707-01-0K880	40001-		P-UB-14	90 mm	130 mm	KOM-707-98-47740	234.23
BUCKET	707-01-0H740	40001-		P-UB-14	80 mm	115 mm	KOM-707-98-39610	260.16
MODEL PC228USLC-3S								
ARM	22U-63-02623	20001-21274		P-UB-14	95 mm	135 mm	KOM-707-99-57180	256.73
	707-01-0X430	21275-21502		P-UB-14	95 mm	135 mm	KOM-707-99-57160	479.52
	707-01-0X431	21503-		P-UB-14	95 mm	135 mm	KOM-707-99-57160	479.52
BOOM	22U-63-02651	20001-		P-UB-14	90 mm	130 mm	KOM-707-99-47780	300.89
BUCKET	22U-63-02633	20001-21221		P-UB-14	80 mm	115 mm	KOM-707-99-45220	221.87
	707-01-0C890	21222-		P-UB-14	80 mm	115 mm	KOM-707-99-45230	260.16
MODEL PC228USLC-8								
ARM	707-01-0CE31	50001-		P-UB-14	95 mm	135 mm	KOM-707-99-50780	196.69
	707-01-0CE31	50001-		Bushing	95 mm		KOM-707-52-90721	45.45
BLADE LH	22U-63-02550	50001-		P-UB-14	100 mm	140 mm	KOM-707-99-59230	175.87
	22U-63-02550	50001-		Bushing	100 mm		KOM-707-52-90781	50.23
BLADE RH	22U-63-02550	50001-		P-UB-14	100 mm	140 mm	KOM-707-99-59230	175.87
	22U-63-02550	50001-		Bushing	100 mm		KOM-707-52-90781	50.23
BOOM LH	707-01-0CE10	50001-		P-UB-14	85 mm	120 mm	KOM-707-99-46470	139.94
	707-01-0CE10	50001-		Bushing	85 mm		KOM-707-52-90611	41.83
	707-01-0CE50	50001-	5.7m boom	P-UB-14	90 mm	130 mm	KOM-707-99-47880	165.29

LT - Large size tire L/S - Loading Shovel SLF - Super Long Front B/H - Backhoe HD - Heavy Duty L BUCKET - Large Bucket
 K-LINK - K-type Linkage Blade LB HI-LIFT - High Lift Arm w Large Bucket HI-LIFT - High Lift Arm S HI-LIFT - Super High Lift Arm
 SU - Semi-U Dozer PAT - Power Angle Power Tilt MP - Mult-Purpose

KOMATSU

Replacement Kits For

KOMATSU

Excavators								
APPLICATION	CYL #	SERIAL #	Misc	CODE	ROD	BORE	KIT #	List \$
MODEL PC228USLC-8								
BOOM LH	707-01-0CE50	50001-	5.7m boom	Bushing	90 mm		KOM-707-52-90681	44.23
BOOM RH	707-01-0CE10	50001-		P-UB-14	85 mm	120 mm	KOM-707-99-46470	139.94
	707-01-0CE10	50001-		Bushing	85 mm		KOM-707-52-90611	41.83
	707-01-0CE50	50001-	5.7m boom	P-UB-14	90 mm	130 mm	KOM-707-99-47880	165.29
BUCKET	707-01-0CE50	50001-	5.7m boom	Bushing	90 mm		KOM-707-52-90681	44.23
	707-01-0CH30	50001-	2.4m, 2.9m arm	P-UB-14	80 mm	115 mm	KOM-707-99-45040	169.53
	707-01-0CH30	50001-	2.4m, 2.9m arm	Bushing	80 mm		KOM-707-52-90561	37.68
MODEL PC228USLC-10								
ARM	707-E1-01430	1110-		P-UB-14	95 mm	135 mm	KOM-707-99-50520	218.92
BOOM ADJUST	707-01-0E270	1110-	2pc boom	P-UB-14	120 mm	185 mm	KOM-707-99-68730	520.27
	707-01-0X530	1110-	2pc boom	P-UB-14	120 mm	185 mm	KOM-707-99-68730	520.27
BOOM LH	707-01-0CJ20	1110-	2pc boom	P-UB-14	85 mm	120 mm	KOM-707-99-46470	139.94
	707-01-XCJ20	1110-	2pc boom	P-UB-14	85 mm	120 mm	KOM-707-99-46470	139.94
	707-01-XYJ10	1110-	2pc boom	P-UB-14	85 mm	120 mm	KOM-707-99-46470	139.94
BOOM RH	707-01-0CJ20	1110-	2pc boom	P-UB-14	85 mm	120 mm	KOM-707-99-46470	139.94
	707-01-XCJ30	1110-	2pc boom	P-UB-14	85 mm	120 mm	KOM-707-99-46470	139.94
	707-01-XYJ20	1110-	2pc boom	P-UB-14	85 mm	120 mm	KOM-707-99-46470	139.94
BUCKET	707-E1-01480	1110-	2.9m arm	P-UB-14	80 mm	115 mm	KOM-707-98-39611	230.52
MODEL PC230-6								
ARM	206-63-02521	40001-52851		P-UB-14	100 mm	140 mm	KOM-707-99-58200	297.34
	206-63-03121	52852-		P-UB-14	100 mm	140 mm	KOM-707-99-58350	372.92
BOOM	206-63-02501	40001-52851		P-UB-14	90 mm	130 mm	KOM-707-99-47600	325.08
	206-63-03100	52852-		P-UB-14	90 mm	130 mm	KOM-707-99-47660	339.77
BUCKET	206-63-02130	40001-52851		P-UB-14	90 mm	130 mm	KOM-707-98-47620	493.45
	206-63-02140	40001-52851		P-UB-14	100 mm	140 mm	KOM-707-98-58240	271.51
	206-63-03130	52852-		P-UB-14	90 mm	130 mm	KOM-707-98-47670	451.52
	206-63-03140	52852-		P-UB-14	100 mm	140 mm	KOM-707-99-58320	317.98
MODEL PC240-6K								
ARM	206-63-K1140	K30001-		P-UB-14	95 mm	135 mm	KOM-707-99-57200	396.04
BOOM	206-63-K2120	K30001-		P-UB-14	95 mm	135 mm	KOM-206-63-K2120K	262.05
	206-63-K2150	K30001-		P-UB-14	120 mm	185 mm	KOM-206-63-K2150K	557.51
BOOM LH	206-63-K1240	K30001-		P-UB-14	95 mm	135 mm	KOM-206-63-K1240K	266.47
BOOM RH	206-63-K1250	K30001-		P-UB-14	95 mm	135 mm	KOM-206-63-K1250K	266.47
BUCKET	206-63-K2110	K30001-		P-UB-14	100 mm	140 mm	KOM-707-99-58240	631.62
MODEL PC240LC-6K								
ARM	206-63-K1140	K30001-		P-UB-14	95 mm	135 mm	KOM-707-99-57200	396.04
BOOM	206-63-K2120	K30001-		P-UB-14	95 mm	135 mm	KOM-206-63-K2120K	262.05
	206-63-K2150	K30001-		P-UB-14	120 mm	185 mm	KOM-206-63-K2150K	557.51
BOOM LH	206-63-K1240	K30001-		P-UB-14	95 mm	135 mm	KOM-206-63-K1240K	266.47
BOOM RH	206-63-K1250	K30001-		P-UB-14	95 mm	135 mm	KOM-206-63-K1250K	266.47
BUCKET	206-63-K2110	K30001-		P-UB-14	100 mm	140 mm	KOM-707-99-58240	631.62
MODEL PC240LC-7K								
ARM	707-01-XC120	K40019-		P-UB-14	100 mm	140 mm	KOM-707-99-58070	272.86
ARM (w/ Burst Valve)	707-01-XE050	K40019-		P-UB-14	100 mm	140 mm	KOM-707-99-58070	272.86
BOOM	707-01-0C040	K40019-		P-UB-14	95 mm	135 mm	KOM-707-99-50620	423.06
BOOM LIFT (2pc Boom)	707-01-0F050	K40019-		P-UB-14	100 mm	140 mm	KOM-707-99-58050	317.81
BUCKET (2, 2.5M Arm)	707-01-0A420	K40019-		P-UB-14	100 mm	140 mm	KOM-707-99-58060	545.64
BUCKET (3, 3.5M Arm)	707-01-XC130	K40019-		P-UB-14	90 mm	130 mm	KOM-707-99-47570	419.71
MODEL PC240LC-10								
ARM	707-E1-00180	A20001-UP		P-UB-14	100 mm	140 mm	KOM-707-99-59430	223.82
BOOM	707-E1-00200	A20001-UP		P-UB-14	95 mm	135 mm	KOM-707-99-50580	231.12
BUCKET	707-E1-00960	A20001-UP		P-UB-14	90 mm	130 mm	KOM-707-99-48710	225.52
TRACK ADJUSTER		A20001-		TRK ADJ			KOM-SK100173	136.52
		A20001-	kit w/ valve	TRK ADJ			KOM-SK100154	204.24

LT - Large size tire L/S - Loading Shovel SLF - Super Long Front B/H - Backhoe HD - Heavy Duty L BUCKET - Large Bucket
 K-LINK - K-type Linkage Blade LB HI-LIFT - High Lift Arm w Large Bucket HI-LIFT - High Lift Arm S HI-LIFT - Super High Lift Arm
 SU - Semi-U Dozer PAT - Power Angle Power Tilt MP - Mulit-Purpose

FORMERLY LISTED REPAIR PARTS ARE AVAILABLE ONLINE AT WWW.HERCULESCA.CA
 OR BY CONTACTING YOUR REGIONAL HERCULES SALES TEAM.

Replacement Kits For

KOMATSU

Excavators								
APPLICATION	CYL #	SERIAL #	Misc	CODE	ROD	BORE	KIT #	List \$
MODEL PC240LC-11								
ARM	707-E1-00180	95001-; A22001-		P-UB-14	100 mm	140 mm	KOM-721-98-00260	214.98
	707-E1-00180	95001-; A22001-		Bushing	100 mm		KOM-707-52-90781	50.23
BOOM	707-E1-00200	95001-; A22001-		P-UB-14	95 mm	135 mm	KOM-721-98-00280	241.98
	707-E1-00200	95001-; A22001-		Bushing	95 mm		KOM-707-52-90721	45.45
BUCKET	707-E1-00961	95001-; A22001-		P-UB-14	90 mm	130 mm	KOM-721-98-00270	199.27
	707-E1-00961	95001-; A22001-		Bushing	90 mm		KOM-707-52-90681	44.23
TRACK ADJUSTER		A22001-		TRK ADJ			KOM-SK100173	136.52
		A22001-	kit w/ valve	TRK ADJ			KOM-SK100154	204.24
MODEL PC240NLC-6K								
ARM	206-63-K1140	K30001-		P-UB-14	95 mm	135 mm	KOM-707-99-57200	396.04
BOOM	206-63-K2120	K30001-		P-UB-14	95 mm	135 mm	KOM-206-63-K2120K	262.05
	206-63-K2150	K30001-		P-UB-14	120 mm	185 mm	KOM-206-63-K2150K	557.51
BOOM LH	206-63-K1240	K30001-		P-UB-14	95 mm	135 mm	KOM-206-63-K1240K	266.47
BOOM RH	206-63-K1250	K30001-		P-UB-14	95 mm	135 mm	KOM-206-63-K1250K	266.47
BUCKET	206-63-K2110	K30001-		P-UB-14	100 mm	140 mm	KOM-707-99-58240	631.62
MODEL PC240NLC-7K								
ARM	707-01-XC120	K40019-		P-UB-14	100 mm	140 mm	KOM-707-99-58070	272.86
ARM (w/ Burst Valve)	707-01-XE050	K40019-		P-UB-14	100 mm	140 mm	KOM-707-99-58070	272.86
BOOM	707-01-0C040	K40019-		P-UB-14	95 mm	135 mm	KOM-707-99-50620	423.06
BOOM LIFT (2pc Boom)	707-01-0F050	K40019-		P-UB-14	100 mm	140 mm	KOM-707-99-58050	317.81
BUCKET (2, 2.5M Arm)	707-01-0A420	K40019-		P-UB-14	100 mm	140 mm	KOM-707-99-58060	545.64
BUCKET (3, 3.5M Arm)	707-01-XC130	K40019-		P-UB-14	90 mm	130 mm	KOM-707-99-47570	419.71
MODEL PC250LC-6								
ARM	206-63-03120	A83001-A83986		P-UB-14	100 mm	140 mm	KOM-707-99-58350	372.92
	206-63-03121	A83987-		P-UB-14	100 mm	140 mm	KOM-707-99-58350	372.92
	206-63-64740	A83001-A83986		P-UB-14	100 mm	140 mm	KOM-707-99-58350	372.92
	206-63-64741	A83987-		P-UB-14	100 mm	140 mm	KOM-707-99-58350	372.92
BUCKET (2M Arm)	206-63-02140	A83001-		P-UB-14	100 mm	140 mm	KOM-707-99-58240	631.62
	206-63-02140	A83001-		Bushing	100 mm		KOM-707-52-90750	71.72
BUCKET (3.05 HD Arm)	206-63-07030	A83001-		P-UB-14	90 mm	130 mm	KOM-707-98-47620	493.45
	206-63-07030	A83001-		Bushing	90 mm		KOM-707-52-90650	51.52
MODEL PC270-8								
ARM	707-01-0H950	20001-		P-UB-14	110 mm	150 mm	KOM-707-99-59740	676.61
	707-01-0K400	20001-		P-UB-14	110 mm	150 mm	KOM-707-99-59740	676.61
BOOM	707-01-0H930	20001-		P-UB-14	100 mm	140 mm	KOM-707-99-59320	407.92
	707-01-0K380	20001-		P-UB-14	100 mm	140 mm	KOM-707-99-59320	407.92
	707-01-0L941	25015-		P-UB-14	100 mm	140 mm	KOM-707-99-59320	407.92
BOOM LH	707-01-0H930	20001-		P-UB-14	100 mm	140 mm	KOM-707-99-59330	239.93
BOOM RH	707-01-0H930	20001-25014		P-UB-14	100 mm	140 mm	KOM-707-99-59330	239.93
	707-01-0H931	25015-		P-UB-14	100 mm	140 mm	KOM-707-99-59320	407.92
BUCKET	707-01-0H910	20001-		P-UB-14	100 mm	140 mm	KOM-707-99-59020	515.46
	707-01-0J900	20001-		P-UB-14	100 mm	140 mm	KOM-707-99-59020	515.46
	707-01-0J910	20001-		P-UB-14	100 mm	140 mm	KOM-707-99-59020	515.46
	707-01-0J920	20001-		P-UB-14	90 mm	130 mm	KOM-707-98-47720	419.80
MODEL PC270LC-7L								
ARM	707-01-0Z941	A86001-A86168		P-UB-14	110 mm	150 mm	KOM-707-99-59620	682.41
	707-01-0Z942	A86169-		P-UB-14	110 mm	150 mm	KOM-707-99-59620	682.41
	707-13-15240	A86001-		P-UB-14	110 mm	150 mm	KOM-707-99-59620	682.41
BOOM (Lrg Dia Type)	707-01-0A390	A86001-		P-UB-14	100 mm	140 mm	KOM-707-99-58050	317.81
	707-13-14560	A86001-		P-UB-14	100 mm	140 mm	KOM-707-99-58050	317.81
BUCKET	707-01-0A420	A86001-		P-UB-14	100 mm	140 mm	KOM-707-99-58060	545.64
	707-13-13570	A86001-		P-UB-14	100 mm	140 mm	KOM-707-99-58060	545.64
MODEL PC270LC-8								
ARM	707-01-0S910	A87001-		P-UB-14	110 mm	150 mm	KOM-707-99-59740	676.61
	707-13-15280	A87001-		P-UB-14	110 mm	150 mm	KOM-707-99-59740	676.61

LT - Large size tire L/S - Loading Shovel SLF - Super Long Front B/H - Backhoe HD - Heavy Duty L BUCKET - Large Bucket
 K-LINK - K-type Linkage Blade LB HI-LIFT - High Lift Arm w Large Bucket HI-LIFT - High Lift Arm S HI-LIFT - Super High Lift Arm
 SU - Semi-U Dozer PAT - Power Angle Power Tilt MP - Mult-Purpose

KOMATSU

Replacement Kits For

KOMATSU

Excavators								
APPLICATION	CYL #	SERIAL #	Misc	CODE	ROD	BORE	KIT #	List \$
MODEL PC270LC-8								
BOOM	707-01-0H930	A87001-		P-UB-14	100 mm	140 mm	KOM-707-99-59320	407.92
	707-13-14860	A87001-		P-UB-14	100 mm	140 mm	KOM-707-99-59320	407.92
BUCKET	707-01-0H910	A87001-		P-UB-14	100 mm	140 mm	KOM-707-99-59020	515.46
	707-13-14840	A87001-		P-UB-14	100 mm	140 mm	KOM-707-99-59020	515.46
MODEL PC270LL-7L								
ARM	707-01-0Z942	A86001-		P-UB-14	110 mm	150 mm	KOM-707-99-59620	682.41
BOOM (Lrg Dia Type)	707-01-0A390	A86001-		P-UB-14	100 mm	140 mm	KOM-707-99-58050	317.81
BUCKET	707-01-0A380	A86001-		P-UB-14	90 mm	130 mm	KOM-707-99-47570	419.71
MODEL PC290LC-6K								
ARM	206-63-K1610	K30001-		P-UB-14	110 mm	150 mm	KOM-206-63-K1610K	319.56
BOOM	206-63-K1721	K30001-		P-UB-14	100 mm	140 mm	KOM-206-63-K1721K	253.54
BOOM (2pc)	206-63-K1980	K30001-		P-UB-14	100 mm	140 mm	KOM-206-63-K1980K	252.42
BUCKET	206-63-K1911	K30001-		P-UB-14	100 mm	140 mm	KOM-206-63-K1911K	389.92
MODEL PC290LC-7K								
ARM	707-01-0Z940	K40001-K40182		P-UB-14	110 mm	150 mm	KOM-707-99-59620	682.41
	707-01-0Z941	K40183-		P-UB-14	110 mm	150 mm	KOM-707-99-59620	682.41
BOOM	707-01-0A390	K40001-		P-UB-14	100 mm	140 mm	KOM-707-99-58050	317.81
BOOM LIFT	707-01-0F050	K40001-		P-UB-14	100 mm	140 mm	KOM-707-99-58050	317.81
BUCKET	707-01-0A420	K40001-		P-UB-14	100 mm	140 mm	KOM-707-99-58060	545.64
	707-01-0C860	K40001-		P-UB-14	90 mm	130 mm	KOM-707-99-47570	419.71
	707-01-0C870	K40001-		P-UB-14	100 mm	140 mm	KOM-707-99-58060	545.64
MODEL PC290LC-10								
ARM	707-E1-00400	A25001-UP		P-UB-14	110 mm	150 mm	KOM-707-99-59680	497.14
BOOM	707-E1-00380	A25001-UP		P-UB-14	100 mm	140 mm	KOM-707-99-59070	231.59
BUCKET	707-E1-00230	A25001-UP		P-UB-14	100 mm	140 mm	KOM-707-99-59080	186.24
MODEL PC290LC-11								
ARM	707-F1-00400	A27001-		P-UB-14	110 mm	150 mm	KOM-721-98-00420	625.00
	707-F1-00400	A27001-		Bushing	110 mm		KOM-707-52-90851	55.25
BOOM	707-F1-00380	A27001-		P-UB-14	100 mm	140 mm	KOM-721-98-00390	507.72
	707-F1-00380	A27001-		Bushing	100 mm		KOM-707-52-90781	50.23
BUCKET	707-E1-00230	A27001-		P-UB-14	100 mm	140 mm	KOM-721-98-00440	404.34
	707-E1-00230	A27001-		Bushing	100 mm		KOM-707-52-90781	50.23
MODEL PC290LL-11								
ARM	707-01-0L331	A29501-	Log Loader	P-UB-14	120 mm	185 mm	KOM-707-99-76160	681.85
	707-01-0L331	A29501-	Log Loader	Bushing	120 mm		KOM-707-52-90980	84.31
	707-F1-00400	A29501-	Road Builder	P-UB-14	110 mm	150 mm	KOM-721-98-00420	625.00
	707-F1-00400	A29501-	Road Builder	Bushing	110 mm		KOM-707-52-90851	55.25
BOOM	707-01-0L311	A29501-	Log Loader	P-UB-14	110 mm	150 mm	KOM-707-99-59650	532.63
	707-01-0L311	A29501-	Log Loader	Bushing	110 mm		KOM-707-52-90850	55.25
	707-F1-00380	A29501-	Road Builder	P-UB-14	100 mm	140 mm	KOM-721-98-00390	507.72
	707-F1-00380	A29501-	Road Builder	Bushing	100 mm		KOM-707-52-90781	50.23
BUCKET	707-E1-00230	A29501-	Road Builder	P-UB-14	100 mm	140 mm	KOM-721-98-00440	404.34
	707-E1-00230	A29501-	Road Builder	Bushing	100 mm		KOM-707-52-90781	50.23
HEEL	707-01-0L340	A29501-	Log Loader	P-UB-14	100 mm	140 mm	KOM-707-99-59020	515.46
	707-01-0L340	A29501-	Log Loader	Bushing	100 mm		KOM-707-52-90780	50.23
MODEL PC290NLC-6K								
ARM	206-63-K1610	K30001-		P-UB-14	110 mm	150 mm	KOM-206-63-K1610K	319.56
BOOM	206-63-K1721	K30001-		P-UB-14	100 mm	140 mm	KOM-206-63-K1721K	253.54
BOOM (2pc)	206-63-K1980	K30001-		P-UB-14	100 mm	140 mm	KOM-206-63-K1980K	252.42
BUCKET	206-63-K1911	K30001-		P-UB-14	100 mm	140 mm	KOM-206-63-K1911K	389.92
MODEL PC290NLC-7K								
ARM	707-01-0Z940	K40001-K40182		P-UB-14	110 mm	150 mm	KOM-707-99-59620	682.41
	707-01-0Z941	K40183-		P-UB-14	110 mm	150 mm	KOM-707-99-59620	682.41
BOOM	707-01-0A390	K40001-		P-UB-14	100 mm	140 mm	KOM-707-99-58050	317.81
BOOM LIFT	707-01-0F050	K40001-		P-UB-14	100 mm	140 mm	KOM-707-99-58050	317.81
BUCKET	707-01-0A420	K40001-		P-UB-14	100 mm	140 mm	KOM-707-99-58060	545.64

LT - Large size tire L/S - Loading Shovel SLF - Super Long Front B/H - Backhoe HD - Heavy Duty L BUCKET - Large Bucket
 K-LINK - K-type Linkage Blade LB HI-LIFT - High Lift Arm w Large Bucket HI-LIFT - High Lift Arm S HI-LIFT - Super High Lift Arm
 SU - Semi-U Dozer PAT - Power Angle Power Tilt MP - Mulit-Purpose

FORMERLY LISTED REPAIR PARTS ARE AVAILABLE ONLINE AT WWW.HERCULESCA.CA
 OR BY CONTACTING YOUR REGIONAL HERCULES SALES TEAM.

Replacement Kits For

KOMATSU

Excavators								
APPLICATION	CYL #	SERIAL #	Misc	CODE	ROD	BORE	KIT #	List \$
MODEL PC290NLC-7K								
BUCKET	707-01-0C860	K40001-		P-UB-14	90 mm	130 mm	KOM-707-99-47570	419.71
	707-01-0C870	K40001-		P-UB-14	100 mm	140 mm	KOM-707-99-58060	545.64
MODEL PC300-5, PC300LC-5								
ARM	207-63-02120	20001-		P-UB-14	110 mm	160 mm	KOM-707-99-67110	442.74
BOOM	207-63-02100	20001-		P-UB-14	100 mm	140 mm	KOM-707-99-58210	503.82
BUCKET	207-63-02130	20001-		P-UB-14	100 mm	140 mm	KOM-707-99-58110	462.39
MODEL PC300-6								
ARM	207-63-02120	80001-		P-UB-14	110 mm	160 mm	KOM-707-99-67110	442.74
	207-63-02120	80001-		Bushing	110 mm		KOM-707-52-90860	105.97
BOOM	207-63-02301	80001-		P-UB-14	100 mm	140 mm	KOM-707-99-58210	503.82
	207-63-02301	80001-		Bushing	100 mm		KOM-07177-01040	62.79
	207-63-02501	33001-		P-UB-14	100 mm	140 mm	KOM-707-99-58360	405.01
BUCKET	207-63-02130	80001-		P-UB-14	100 mm	140 mm	KOM-707-99-58110	462.39
	207-63-02130	80001-		Bushing	100 mm		KOM-707-52-90750	71.72
MODEL PC300-7								
ARM	707-01-0A450	J20001-		P-UB-14	110 mm	160 mm	KOM-707-99-67090	529.71
BOOM	707-01-0A430	J20001-		P-UB-14	100 mm	140 mm	KOM-707-99-58080	371.04
BUCKET	707-01-0A460	J20001-		P-UB-14	100 mm	140 mm	KOM-707-99-58090	499.95
	707-01-0A470	J20001-		P-UB-14	110 mm	150 mm	KOM-707-99-59610	511.75
MODEL PC300HD-7E0								
ARM	707-01-0A452	A86001-		P-UB-14	110 mm	160 mm	KOM-707-99-72300	326.02
BOOM	707-01-0A430	A86001-		P-UB-14	100 mm	140 mm	KOM-707-99-58080	371.04
BUCKET	707-01-0H770	A86001-		P-UB-14	100 mm	140 mm	KOM-707-99-58090	499.95
MODEL PC300HD-7L								
ARM	707-01-0A450	A85001-		P-UB-14	110 mm	160 mm	KOM-707-99-67090	529.71
BOOM	707-01-0A430	A85001-		P-UB-14	100 mm	140 mm	KOM-707-99-58080	371.04
BUCKET	707-01-0A461	A85001-		P-UB-14	100 mm	140 mm	KOM-707-99-58090	499.95
	707-01-0A471	A85001-		P-UB-14	110 mm	150 mm	KOM-707-99-59610	511.75
MODEL PC300HD-8								
ARM	707-01-0A452	A87001-		P-UB-14	110 mm	160 mm	KOM-707-99-72300	326.02
	707-01-0A452	A87001-		Bushing	110 mm		KOM-707-52-90850	55.25
BOOM	707-01-0A431	A87001-		P-UB-14	100 mm	140 mm	KOM-707-99-58080	371.04
	707-01-0A431	A87001-		Bushing	100 mm		KOM-707-52-90780	50.23
BUCKET	707-01-0H771	A87001-	3.2m, 4.0m Arm	P-UB-14	100 mm	140 mm	KOM-707-99-58090	499.95
	707-01-0H771	A87001-	3.2m, 4.0m Arm	Bushing	100 mm		KOM-707-52-90780	50.23
	707-01-0H781	A87001-	2.2m, 2.6m Arm	P-UB-14	110 mm	150 mm	KOM-707-99-59610	511.75
	707-01-0H781	A87001-	2.2m, 2.6m Arm	Bushing	110 mm		KOM-707-52-90850	55.25
MODEL PC300LC-7								
ARM	707-01-0A450	40001-		P-UB-14	110 mm	160 mm	KOM-707-99-67090	529.71
	707-01-0A451	41266-46350		P-UB-14	110 mm	160 mm	KOM-707-99-72300	326.02
	707-01-0A452	46351-		P-UB-14	110 mm	160 mm	KOM-707-99-72300	326.02
	707-01-0C600	40001-46350		P-UB-14	110 mm	160 mm	KOM-707-99-67090	529.71
	707-01-0C601	46351-		P-UB-14	110 mm	160 mm	KOM-707-99-72300	326.02
BOOM	707-01-0A430	40001-46350		P-UB-14	100 mm	140 mm	KOM-707-99-58080	371.04
	707-01-0A431	46351-		P-UB-14	100 mm	140 mm	KOM-707-99-58080	371.04
	707-01-0C580	40001-46350		P-UB-14	100 mm	140 mm	KOM-707-99-58080	371.04
	707-01-0C581	46351-		P-UB-14	100 mm	140 mm	KOM-707-99-58080	371.04
	707-01-0E230	40001-46350		P-UB-14	100 mm	140 mm	KOM-707-99-58030	290.21
	707-01-0E231	46351-		P-UB-14	100 mm	140 mm	KOM-707-99-58030	290.21
	BUCKET	707-01-0A460	40001-40836		P-UB-14	100 mm	140 mm	KOM-707-99-58090
707-01-0A461		40837-		P-UB-14	100 mm	140 mm	KOM-707-99-58090	499.95
707-01-0A463		41266-46350		P-UB-14	100 mm	140 mm	KOM-707-99-58090	499.95

LT - Large size tire L/S - Loading Shovel SLF - Super Long Front B/H - Backhoe HD - Heavy Duty L BUCKET - Large Bucket
 K-LINK - K-type Linkage Blade LB HI-LIFT - High Lift Arm w Large Bucket HI-LIFT - High Lift Arm S HI-LIFT - Super High Lift Arm
 SU - Semi-U Dozer PAT - Power Angle Power Tilt MP - Mult-Purpose

Replacement Kits For

KOMATSU

KOMATSU

Excavators								
APPLICATION	CYL #	SERIAL #	Misc	CODE	ROD	BORE	KIT #	List \$
MODEL PC300LC-7								
BUCKET	707-01-0A464	46351-		P-UB-14	100 mm	140 mm	KOM-707-99-58090	499.95
	707-01-0A470	40001-40527		P-UB-14	110 mm	150 mm	KOM-707-99-59610	511.75
	707-01-0A471	40528-		P-UB-14	110 mm	150 mm	KOM-707-99-59610	511.75
	707-01-0A473	41266-46350		P-UB-14	110 mm	150 mm	KOM-707-99-59610	511.75
	707-01-0A474	46351-		P-UB-14	110 mm	150 mm	KOM-707-99-59610	511.75
	707-01-0C610	40001-40527		P-UB-14	100 mm	140 mm	KOM-707-99-58090	499.95
	707-01-0C611	40528-46350		P-UB-14	100 mm	140 mm	KOM-707-99-58090	499.95
	707-01-0C612	46351-		P-UB-14	100 mm	140 mm	KOM-707-99-58090	499.95
	707-01-0C620	40001-40527		P-UB-14	110 mm	150 mm	KOM-707-99-59610	511.75
	707-01-0C621	40528-46350		P-UB-14	110 mm	150 mm	KOM-707-99-59610	511.75
	707-01-0C622	46351-		P-UB-14	110 mm	150 mm	KOM-707-99-59610	511.75
	707-01-0H780	41266-46350		P-UB-14	110 mm	150 mm	KOM-707-99-59610	511.75
707-01-0H781	46351-		P-UB-14	110 mm	150 mm	KOM-707-99-59610	511.75	
MODEL PC300LC-7E0								
ARM	707-01-0A451	50001-55786		P-UB-14	110 mm	160 mm	KOM-707-99-72300	326.02
	707-01-0A452	55787-		P-UB-14	110 mm	160 mm	KOM-707-99-72300	326.02
	707-01-0A452	A88001-		P-UB-14	110 mm	160 mm	KOM-707-99-72300	326.02
	707-01-0C600	50001-55786		P-UB-14	110 mm	160 mm	KOM-707-99-67090	529.71
	707-01-0C601	55787-		P-UB-14	110 mm	160 mm	KOM-707-99-72300	326.02
BOOM	707-01-0A430	50001-55786		P-UB-14	100 mm	140 mm	KOM-707-99-58080	371.04
	707-01-0A431	55787-		P-UB-14	100 mm	140 mm	KOM-707-99-58080	371.04
	707-01-0A431	A88001-		P-UB-14	100 mm	140 mm	KOM-707-99-58080	371.04
	707-01-0C580	50001-55786		P-UB-14	100 mm	140 mm	KOM-707-99-58080	371.04
BUCKET	707-01-0C581	55787-		P-UB-14	100 mm	140 mm	KOM-707-99-58080	371.04
	707-01-0C611	50001-55786		P-UB-14	100 mm	140 mm	KOM-707-99-58090	499.95
	707-01-0C612	55787-		P-UB-14	100 mm	140 mm	KOM-707-99-58090	499.95
	707-01-0C621	50001-55786		P-UB-14	110 mm	150 mm	KOM-707-99-59610	511.75
	707-01-0C622	55787-		P-UB-14	110 mm	150 mm	KOM-707-99-59610	511.75
	707-01-0H770	50001-55786		P-UB-14	100 mm	140 mm	KOM-707-99-58090	499.95
	707-01-0H771	55787-		P-UB-14	100 mm	140 mm	KOM-707-99-58090	499.95
	707-01-0H771	A88001-		P-UB-14	100 mm	140 mm	KOM-707-99-58090	499.95
	707-01-0H780	50001-55786		P-UB-14	110 mm	150 mm	KOM-707-99-59610	511.75
707-01-0H781	55787-		P-UB-14	110 mm	150 mm	KOM-707-99-59610	511.75	
707-01-0H781	A88001-		P-UB-14	110 mm	150 mm	KOM-707-99-59610	511.75	
MODEL PC300LC-7L								
ARM	707-01-XA450	A85001-		P-UB-14	110 mm	160 mm	KOM-707-99-67090	529.71
BOOM	707-01-0A430	A85001-		P-UB-14	100 mm	140 mm	KOM-707-99-58080	371.04
BUCKET	707-01-0A461	A85001-		P-UB-14	100 mm	140 mm	KOM-707-99-58090	499.95
	707-01-0A471	A85001-		P-UB-14	110 mm	150 mm	KOM-707-99-59610	511.75
TRACK ADJUSTER		A85001-		TRK ADJ			KOM-SK100143	49.55
		A85001-	kit w/ valve	TRK ADJ			KOM-SK100127	100.34
MODEL PC300LC-8								
ARM	707-01-0A452	A90001-		P-UB-14	110 mm	160 mm	KOM-707-99-72300	326.02
	707-01-0A452	A90001-		Bushing	110 mm		KOM-707-52-90850	55.25
BOOM	707-01-0A431	A90001-		P-UB-14	100 mm	140 mm	KOM-707-99-58080	371.04
	707-01-0A431	A90001-		Bushing	100 mm		KOM-707-52-90780	50.23
BUCKET	707-01-0H771	A90001-	3.2m, 4.0m Arm	P-UB-14	100 mm	140 mm	KOM-707-99-58090	499.95
	707-01-0H771	A90001-	3.2m, 4.0m Arm	Bushing	100 mm		KOM-707-52-90780	50.23
	707-01-0H781	A90001-	2.2m, 2.6m Arm	P-UB-14	110 mm	150 mm	KOM-707-99-59610	511.75
	707-01-0H781	A90001-	2.2m, 2.6m Arm	Bushing	110 mm		KOM-707-52-90850	55.25
TRACK ADJUSTER		A90001-		TRK ADJ			KOM-SK100143	49.55
		A90001-	kit w/ valve	TRK ADJ			KOM-SK100127	100.34

LT - Large size tire L/S - Loading Shovel SLF - Super Long Front B/H - Backhoe HD - Heavy Duty L BUCKET - Large Bucket
 K-LINK - K-type Linkage Blade LB HI-LIFT - High Lift Arm w Large Bucket HI-LIFT - High Lift Arm S HI-LIFT - Super High Lift Arm
 SU - Semi-U Dozer PAT - Power Angle Power Tilt MP - Mult-Purpose

FORMERLY LISTED REPAIR PARTS ARE AVAILABLE ONLINE AT WWW.HERCULESCA.CA
 OR BY CONTACTING YOUR REGIONAL HERCULES SALES TEAM.

Replacement Kits For

KOMATSU

Excavators								
APPLICATION	CYL #	SERIAL #	Misc	CODE	ROD	BORE	KIT #	List \$
MODEL PC300LL-7E0								
ARM	707-01-0A451	A86001-		P-UB-14	110 mm	160 mm	KOM-707-99-72300	326.02
	707-01-0L350	A86001-		P-UB-14	140 mm	200 mm	KOM-707-99-77140	475.92
BOOM	707-01-0A430	A86001-		P-UB-14	100 mm	140 mm	KOM-707-99-58080	371.04
BOOM LIFT	707-01-0L140	A86001-		P-UB-14	110 mm	160 mm	KOM-707-99-67870	365.51
BUCKET	707-01-0H770	A86001-		P-UB-14	100 mm	140 mm	KOM-707-99-58090	499.95
HEEL	707-01-0H821	A86001-		P-UB-14	100 mm	160 mm	KOM-707-99-66240	399.16
MODEL PC300LL-7L								
ARM	707-01-0A450	A85001-		P-UB-14	110 mm	160 mm	KOM-707-99-67090	529.71
BOOM	707-01-0A430	A85001-		P-UB-14	100 mm	140 mm	KOM-707-99-58080	371.04
BUCKET	707-01-0A460	A85001-		P-UB-14	100 mm	140 mm	KOM-707-99-58090	499.95
MODEL PC308USLC-3								
ARM	707-01-0Z941	20001-		P-UB-14	110 mm	150 mm	KOM-707-99-59620	682.41
BOOM	707-01-0A390	20001-		P-UB-14	100 mm	140 mm	KOM-707-99-58080	371.04
BUCKET	707-01-0A420	20001-		P-UB-14	100 mm	140 mm	KOM-707-99-58060	545.64
MODEL PC308USLC-3E0-W1								
ARM	707-01-0H950	30001-		P-UB-14	110 mm	150 mm	KOM-707-99-59740	676.61
BOOM	707-01-0H930	30001-		P-UB-14	100 mm	140 mm	KOM-707-99-59320	407.92
BUCKET	707-01-0H910	30001-		P-UB-14	100 mm	140 mm	KOM-707-99-59020	515.46
	707-01-0H960	30001-		P-UB-14	100 mm	140 mm	KOM-707-99-59020	515.46
	707-01-0J860	30001-		P-UB-14	90 mm	130 mm	KOM-707-98-47720	419.80
MODEL PC340-6K								
ARM	207-63-02120	K30001-		P-UB-14	110 mm	160 mm	KOM-707-99-67110	442.74
BOOM	207-63-K1230	K30001-		P-UB-14	100 mm	140 mm	KOM-207-63-K1230K	243.80
	207-63-K1230	K30188-		P-UB-14	100 mm	140 mm	KOM-207-63-K1230K	243.80
BUCKET	207-63-02130	K30001-		P-UB-14	100 mm	140 mm	KOM-707-99-58110	462.39
MODEL PC340LC-6K								
ARM	207-63-02120	K30001-		P-UB-14	110 mm	160 mm	KOM-707-99-67110	442.74
BOOM	207-63-K1230	K30001-		P-UB-14	100 mm	140 mm	KOM-207-63-K1230K	243.80
	207-63-K1230	K30188-		P-UB-14	100 mm	140 mm	KOM-207-63-K1230K	243.80
BUCKET	207-63-02130	K30001-		P-UB-14	100 mm	140 mm	KOM-707-99-58110	462.39
MODEL PC340LC-7K								
ARM	707-01-0A450	K40001-		P-UB-14	110 mm	160 mm	KOM-707-99-67090	529.71
ARM (w/ Burst Valve)	707-01-0A450	K40001-		P-UB-14	110 mm	160 mm	KOM-707-99-67090	529.71
BOOM	701-01-0A430	K40001-		P-UB-14	100 mm	140 mm	KOM-707-99-58080	371.04
BUCKET (2.2, 2.6M Arm)	707-01-0A470	K40001-		P-UB-14	110 mm	150 mm	KOM-707-99-59610	511.75
BUCKET (3.2, 4M Arm)	707-01-0A460	K40001-		P-UB-14	100 mm	140 mm	KOM-707-99-58090	499.95
MODEL PC340NLC-6K								
ARM	207-63-02120	K30001-		P-UB-14	110 mm	160 mm	KOM-707-99-67110	442.74
BOOM	207-63-K1230	K30001-		P-UB-14	100 mm	140 mm	KOM-207-63-K1230K	243.80
	207-63-K1230	K30188-		P-UB-14	100 mm	140 mm	KOM-207-63-K1230K	243.80
BUCKET	207-63-02130	K30001-		P-UB-14	100 mm	140 mm	KOM-707-99-58110	462.39
MODEL PC340NLC-7K								
ARM	707-01-0A450	K40001-		P-UB-14	110 mm	160 mm	KOM-707-99-67090	529.71
ARM (w/ Burst Valve)	707-01-0A450	K40001-		P-UB-14	110 mm	160 mm	KOM-707-99-67090	529.71
BOOM	701-01-0A430	K40001-		P-UB-14	100 mm	140 mm	KOM-707-99-58080	371.04
BUCKET (2.2, 2.6M Arm)	707-01-0A470	K40001-		P-UB-14	110 mm	150 mm	KOM-707-99-59610	511.75
BUCKET (3.2, 4M Arm)	707-01-0A460	K40001-		P-UB-14	100 mm	140 mm	KOM-707-99-58090	499.95
MODEL PC350-6								
ARM	207-63-02341	10001-11999		P-UB-14	110 mm	160 mm	KOM-707-99-67110	442.74
	207-63-02541	12001-		P-UB-14	110 mm	160 mm	KOM-707-99-67280	422.52
BOOM	207-63-02301	10001-11999		P-UB-14	100 mm	140 mm	KOM-707-99-58210	503.82
	207-63-02501	12001-		P-UB-14	100 mm	140 mm	KOM-707-99-58360	405.01
BUCKET	207-63-02130	10001-11999		P-UB-14	100 mm	140 mm	KOM-707-99-58110	462.39
	207-63-02531	12001-		P-UB-14	100 mm	140 mm	KOM-707-99-58370	529.01
MODEL PC350LC-8								
ARM	707-01-0A452	A10001-UP		P-UB-14	110 mm	160 mm	KOM-707-99-72300	326.02

LT - Large size tire L/S - Loading Shovel SLF - Super Long Front B/H - Backhoe HD - Heavy Duty L BUCKET - Large Bucket
 K-LINK - K-type Linkage Blade LB HI-LIFT - High Lift Arm w Large Bucket HI-LIFT - High Lift Arm S HI-LIFT - Super High Lift Arm
 SU - Semi-U Dozer PAT - Power Angle Power Tilt MP - Mult-Purpose

Replacement Kits For

KOMATSU

KOMATSU

Excavators								
APPLICATION	CYL #	SERIAL #	Misc	CODE	ROD	BORE	KIT #	List \$
MODEL PC350LC-8								
ARM	707-01-0C601	B10001-UP		P-UB-14	110 mm	160 mm	KOM-707-99-72300	326.02
	707-01-0C622	B10001-UP	Arm, 2.6m	P-UB-14	110 mm	150 mm	KOM-707-99-59610	511.75
BOOM	707-01-0A431	A10001-UP		P-UB-14	100 mm	140 mm	KOM-707-99-58080	371.04
	707-01-0C581	B10001-UP		P-UB-14	100 mm	140 mm	KOM-707-99-58080	371.04
BUCKET	707-01-0C612	B10001-UP	Arm, 3.2m	P-UB-14	100 mm	140 mm	KOM-707-99-58090	499.95
	707-01-0C622	B10001-UP	Arm, 2.6m	P-UB-14	110 mm	150 mm	KOM-707-99-59610	511.75
	707-01-0H771	A10001-UP	3.2m to 4.0m Arm	P-UB-14	100 mm	140 mm	KOM-707-99-58090	499.95
	707-01-0H781	A10001-UP	2.2m to 2.6m Arm	P-UB-14	110 mm	150 mm	KOM-707-99-59610	511.75
MODEL PC360LC-10								
ARM	707-E1-00701	A32001-UP		P-UB-14	110mm	160mm	KOM-707-99-72080	549.38
	707-E1-00701	A32001-UP		Bushing	110 mm		KOM-707-52-90851	55.25
BOOM	707-E1-00680	A32001-UP		P-UB-14	100mm	140mm	KOM-707-99-59140	246.81
BUCKET	707-E1-00710	A32001-UP		P-UB-14	100mm	140mm	KOM-707-99-59150	252.62
	707-F1-01280	A32001-UP	2.2m to 2.6m Arm	P-UB-14	110mm	150mm	KOM-707-99-59550	650.32
MODEL PC360LC-11								
ARM	707-E1-00702	90001-; A35001-		P-UB-14	110 mm	160 mm	KOM-721-98-00520	411.84
	707-E1-00702	90001-; A35001-		Bushing	110 mm		KOM-707-52-90851	55.25
BOOM	707-E1-00681	90001-; A35001-		P-UB-14	100 mm	140 mm	KOM-721-98-00510	232.72
	707-E1-00681	90001-; A35001-		Bushing	100 mm		KOM-707-52-90781	50.23
BUCKET	707-E1-00710	90001-; A35001-		P-UB-14	100 mm	140 mm	KOM-721-98-00610	217.21
	707-E1-00710	90001-; A35001-		Bushing	100 mm		KOM-707-52-90781	50.23
TRACK ADJUSTER		A35001-	kit w/ valve	TRK ADJ			KOM-SK100128	163.52
		A35001-		TRK ADJ			KOM-SK100144	122.82
MODEL PC360LCi-11								
ARM	707-G7-00260	90156-		P-UB-14	110 mm	160 mm	KOM-721-98-01981	648.25
	707-G7-00260	90156-		Bushing	110 mm		KOM-707-52-15730	50.23
	707-G7-00260	90156-		Bushing	110 mm		KOM-707-52-90851	55.25
	707-G7-00261	A38001-		P-UB-14	110 mm	160 mm	KOM-721-98-01981	648.25
	707-G7-00261	A38001-		Bushing	110 mm		KOM-707-52-15730	50.23
	707-G7-00261	A38001-		Bushing	110 mm		KOM-707-52-90851	55.25
BOOM LH	707-G7-00220	90156-90303		P-UB-14	100 mm	140 mm	KOM-721-98-01960	284.19
	707-G7-00220	90156-90303		Bushing	100 mm		KOM-707-52-90781	50.23
	707-G7-00221	90156-; A38001-		P-UB-14	100 mm	140 mm	KOM-721-98-02600	499.69
	707-G7-00221	90156-; A38001-		Bushing	100 mm		KOM-707-52-15700	35.03
BOOM RH	707-G7-00221	90156-; A38001-		Bushing	100 mm		KOM-707-52-90781	50.23
	707-G1-04170	90156-90303		P-UB-14	100 mm	140 mm	KOM-721-98-01970	242.69
	707-G1-04170	90156-90303		Bushing	100 mm		KOM-707-52-90781	50.23
	707-G1-04171	90304-; A38001-		P-UB-14	100 mm	140 mm	KOM-721-98-01970	242.69
BUCKET	707-G1-04171	90304-; A38001-		Bushing	100 mm		KOM-707-52-90781	50.23
	707-G7-00270	90156-90563		P-UB-14	100 mm	140 mm	KOM-721-98-01990	332.12
	707-G7-00270	90156-90563		Bushing	100 mm		KOM-707-52-15700	35.03
	707-G7-00270	90156-90563		Bushing	100 mm		KOM-707-52-90781	50.23
	707-G7-00271	90564-; A38001-		P-UB-14	100 mm	140 mm	KOM-721-98-01990	332.12
	707-G7-00271	90564-; A38001-		Bushing	100 mm		KOM-707-52-15700	35.03
TRACK ADJUSTER	707-G7-00271	90564-; A38001-		Bushing	100 mm		KOM-707-52-90781	50.23
	2A7-30-00011	90156-; A38001-	w/ valve	TRK ADJ			KOM-SK100128	163.52
	2A7-30-00011	90156-; A38001-		TRK ADJ			KOM-SK100144	122.82
MODEL PC400-5 L/S								
ARM	208-63-03120	20001-		P-UB-14	120 mm	185 mm	KOM-707-99-68510	511.63
	208-63-03120	20001-		Bushing	120 mm		KOM-707-52-90950	99.86
BOOM	208-63-03100	20001-		P-UB-14	110 mm	160 mm	KOM-707-99-67121	316.97
	208-63-03100	20001-		Bushing	110 mm		KOM-707-52-90860	105.97
BOTTOM DUMP	208-63-03150	20001-		P-U-14	90 mm	130 mm	KOM-707-98-47600	416.91

LT - Large size tire L/S - Loading Shovel SLF - Super Long Front B/H - Backhoe HD - Heavy Duty L BUCKET - Large Bucket
 K-LINK - K-type Linkage Blade LB HI-LIFT - High Lift Arm w Large Bucket HI-LIFT - High Lift Arm S HI-LIFT - Super High Lift Arm
 SU - Semi-U Dozer PAT - Power Angle Power Tilt MP - Multit-Purpose

FORMERLY LISTED REPAIR PARTS ARE AVAILABLE ONLINE AT WWW.HERCULESCA.CA
 OR BY CONTACTING YOUR REGIONAL HERCULES SALES TEAM.

Replacement Kits For

KOMATSU

Excavators								
APPLICATION	CYL #	SERIAL #	Misc	CODE	ROD	BORE	KIT #	List \$
MODEL PC400-5 L/S								
BUCKET	208-63-03130	20001-		P-UB-14	95 mm	135 mm	KOM-707-99-57200	396.04
	208-63-03130	20001-		Bushing	95 mm		KOM-707-52-90710	57.53
MODEL PC400-5, PC400LC-5								
ARM	208-63-02120	20001-		P-UB-14	120 mm	185 mm	KOM-707-99-68510	511.63
BOOM	208-63-02100	20001-		P-UB-14	110 mm	160 mm	KOM-707-99-67120	467.55
	208-63-02100	20001-		Bushing	110 mm		KOM-707-52-90860	105.97
BUCKET	208-63-02130	20001-		P-UB-14	110 mm	160 mm	KOM-707-99-67010	540.28
MODEL PC400-6								
ARM (B/H)	208-63-02120	30001-31999		P-UB-14	120 mm	185 mm	KOM-707-99-68510	511.63
	208-63-02521	32001-		P-UB-14	120 mm	185 mm	KOM-707-99-68560	892.18
ARM (L/S)	208-63-03120	30001-		P-UB-14	120 mm	185 mm	KOM-707-99-68510	511.63
BOOM (B/H)	208-63-02301	30001-31999		P-UB-14	110 mm	160 mm	KOM-707-99-67120	467.55
	208-63-02501	32001-		P-UB-14	110 mm	160 mm	KOM-707-99-67300	572.17
BOTTOM DUMP (L/S)	208-63-03150			P-UB-14	90 mm	130 mm	KOM-707-99-47600	325.08
BUCKET (B/H)	207-63-02531	32001-		P-UB-14	110 mm	160 mm	KOM-707-99-67310	623.50
	208-63-02130	30001-31999		P-UB-14	110 mm	160 mm	KOM-707-99-67010	540.28
BUCKET (L/S)	208-63-03130	30001-		P-UB-14	95 mm	135 mm	KOM-707-99-57200	396.04
MODEL PC400-7, PC400LC-7								
ARM	707-01-0F690	50001-50146		P-UB-14	120 mm	185 mm	KOM-707-99-68780	548.57
	707-01-0F691	50147-		P-UB-14	120 mm	185 mm	KOM-707-99-68780	548.57
	707-01-0F710	50001-		P-UB-14	130 mm	185 mm	KOM-707-99-69710	605.95
	707-01-0F741	50001-		P-UB-14	120 mm	185 mm	KOM-707-99-68780	548.57
	707-01-0F810	50001-		P-UB-14	120 mm	185 mm	KOM-707-99-68780	548.57
	707-01-0F840	50001-		P-UB-14	120 mm	185 mm	KOM-707-99-68780	548.57
	707-01-0G370	50001-		P-UB-14	120 mm	185 mm	KOM-707-99-68780	548.57
	707-01-0G570	50197-	PC400-7	P-UB-14	130 mm	185 mm	KOM-707-99-69740	604.77
BOOM	707-01-0F670	50001-		P-UB-14	110 mm	160 mm	KOM-707-99-67870	365.51
	707-01-0F790	50001-		P-UB-14	110 mm	160 mm	KOM-707-99-67870	365.51
	707-01-0G350	50001-		P-UB-14	110 mm	160 mm	KOM-707-99-67090	529.71
	707-01-0G550	50197-	PC400-7	P-UB-14	110 mm	160 mm	KOM-707-99-67070	327.52
BOTTOM DUMP	707-01-0G400	50001-		P-UB-14	90 mm	130 mm	KOM-707-99-47800	236.79
BUCKET	707-01-0F700	50001-50419		P-UB-14	100 mm	160 mm	KOM-707-99-66240	399.16
	707-01-0F701	50420-50472		P-UB-14	100 mm	160 mm	KOM-707-99-66240	399.16
	707-01-0F702	50473-		P-UB-14	110 mm	160 mm	KOM-707-99-72240	497.64
	707-01-0F820	50001-50472		P-UB-14	100 mm	160 mm	KOM-707-99-66240	399.16
	707-01-0F821	50473-		P-UB-14	110 mm	160 mm	KOM-707-99-72240	497.64
	707-01-0G580	50197-50295	PC400-7	P-UB-14	110 mm	160 mm	KOM-707-99-72240	497.64
	707-01-0G581	50296-50472	PC400-7	P-UB-14	110 mm	160 mm	KOM-707-99-72240	497.64
	707-01-0G582	50473-	PC400-7	P-UB-14	110 mm	160 mm	KOM-707-99-72240	497.64
MODEL PC400-7E0, PC400LC-7E0								
ARM	707-01-0F691	60001-		P-UB-14	120 mm	185 mm	KOM-707-99-68780	548.57
	707-01-0F691	A87001-	LC-7E0	P-UB-14	120 mm	185 mm	KOM-707-99-68780	548.57
	707-01-0F711	60001-		P-UB-14	130 mm	185 mm	KOM-707-99-69710	605.95
	707-01-0F711	A87001-	LC-7E0	P-UB-14	130 mm	185 mm	KOM-707-99-69710	605.95
	707-01-0F741	60001-		P-UB-14	120 mm	185 mm	KOM-707-99-68780	548.57
	707-01-0F741	A87001-	LC-7E0	P-UB-14	120 mm	185 mm	KOM-707-99-68780	548.57
	707-01-0F810	60001-		P-UB-14	120 mm	185 mm	KOM-707-99-68780	548.57
BOOM	707-01-0G370	60001-		P-UB-14	120 mm	185 mm	KOM-707-99-68780	548.57
	707-01-0F670	60001-		P-UB-14	110 mm	160 mm	KOM-707-99-67870	365.51
	707-01-0F670	A87001-	LC-7E0	P-UB-14	110 mm	160 mm	KOM-707-99-67870	365.51
	707-01-0F790	60001-		P-UB-14	110 mm	160 mm	KOM-707-99-67870	365.51
BOTTOM DUMP	707-01-0G400	60001-		P-UB-14	90 mm	130 mm	KOM-707-99-47800	236.79
BUCKET	707-01-0F702	60001-		P-UB-14	110 mm	160 mm	KOM-707-99-72240	497.64
	707-01-0F702	A87001-	LC-7E0	P-UB-14	110 mm	160 mm	KOM-707-99-72240	497.64

LT - Large size tire L/S - Loading Shovel SLF - Super Long Front B/H - Backhoe HD - Heavy Duty L BUCKET - Large Bucket
 K-LINK - K-type Linkage Blade LB HI-LIFT - High Lift Arm w Large Bucket HI-LIFT - High Lift Arm S HI-LIFT - Super High Lift Arm
 SU - Semi-U Dozer PAT - Power Angle Power Tilt MP - Mult-Purpose

KOMATSU

Replacement Kits For

Excavators								
APPLICATION	CYL #	SERIAL #	Misc	CODE	ROD	BORE	KIT #	List \$
MODEL PC400-7E0, PC400LC-7E0								
BUCKET	707-01-0F821	60001-		P-UB-14	110 mm	160 mm	KOM-707-99-72240	497.64
	707-01-0G380	60001-		P-UB-14	95 mm	135 mm	KOM-707-99-50650	271.80
WEIGHT REMOVER	707-00-0F111	A87001-	LC-7E0	P-U-14	60 mm	120 mm	KOM-707-98-41170	115.09
MODEL PC400LC-7L								
ARM	707-01-0F690	A86001-		P-UB-14	120 mm	185 mm	KOM-707-99-68780	548.57
	707-01-0F710	A86001-		P-UB-14	130 mm	185 mm	KOM-707-99-69710	605.95
BOOM	707-01-0F670	A86001-		P-UB-14	110 mm	160 mm	KOM-707-99-67870	365.51
BUCKET	707-01-0F700	A86001-		P-UB-14	100 mm	160 mm	KOM-707-99-66240	399.16
MODEL PC400LC-8								
ARM	707-01-0F691	A88001-		P-UB-14	120 mm	185 mm	KOM-707-99-68780	548.57
	707-01-0F691	A88001-		Bushing	120 mm		KOM-707-52-90980	84.31
	707-01-0F711	A88001-		P-UB-14	130 mm	185 mm	KOM-707-99-69710	605.95
	707-01-0F711	A88001-		Bushing	130 mm		KOM-707-52-91070	92.74
	707-01-0F741	A88001-	2.4m Arm	P-UB-14	120 mm	185 mm	KOM-707-99-68780	548.57
	707-01-0F741	A88001-	2.4m Arm	Bushing	120 mm		KOM-707-52-90980	84.31
BOOM	707-01-0F670	A88001-		P-UB-14	110 mm	160 mm	KOM-707-99-67870	365.51
	707-01-0F670	A88001-		Bushing	110 mm		KOM-707-52-90850	55.25
BUCKET	707-01-0F702	A88001-		P-UB-14	110 mm	160 mm	KOM-707-99-72240	497.64
	707-01-0F702	A88001-		Bushing	110 mm		KOM-707-52-90850	55.25
TRACK ADJUSTER		A88001-	kit w/ valve	TRK ADJ			KOM-SK100129	103.29
		A88001-		TRK ADJ			KOM-SK100145	52.50
MODEL PC450-6								
ARM	208-63-02341	10001-11999		P-UB-14	130 mm	185 mm	KOM-707-99-69500	610.85
MODEL PC450-6K								
ARM	208-63-K2120	K30001-		P-UB-14	120 mm	185 mm	KOM-707-99-68510	511.63
BOOM	208-63-K2301	K30075-		P-UB-14	110 mm	160 mm	KOM-707-99-67120	467.55
	208-63-K2320	K30001-K30074		P-UB-14	110 mm	160 mm	KOM-707-99-67120	467.55
BUCKET	208-63-02130	K30001-		P-UB-14	110 mm	160 mm	KOM-707-99-67010	540.28
MODEL PC450-7K								
ARM	707-01-0F691	K40001-		P-UB-14	120 mm	185 mm	KOM-707-99-68780	548.57
ARM (2.4M Arm)	707-01-0F741	K40001-		P-UB-14	120 mm	185 mm	KOM-707-99-68780	548.57
ARM (w/ Burst Valve)	707-01-0F691	K40001-		P-UB-14	120 mm	185 mm	KOM-707-99-68780	548.57
BOOM	707-01-0F670	K40001-		P-UB-14	110 mm	160 mm	KOM-707-99-67870	365.51
BUCKET	707-01-0F700	K40001-		P-UB-14	100 mm	160 mm	KOM-707-99-66240	399.16
MODEL PC450LC-6K								
ARM	208-63-K2120	K30001-		P-UB-14	120 mm	185 mm	KOM-707-99-68510	511.63
BOOM	208-63-K2301	K30075-		P-UB-14	110 mm	160 mm	KOM-707-99-67120	467.55
	208-63-K2320	K30001-K30074		P-UB-14	110 mm	160 mm	KOM-707-99-67120	467.55
BUCKET	208-63-02130	K30001-		P-UB-14	110 mm	160 mm	KOM-707-99-67010	540.28
MODEL PC450LC-7K								
ARM	707-01-0F691	K40001-		P-UB-14	120 mm	185 mm	KOM-707-99-68780	548.57
ARM (2.4M Arm)	707-01-0F741	K40001-		P-UB-14	120 mm	185 mm	KOM-707-99-68780	548.57
ARM (w/ Burst Valve)	707-01-0F691	K40001-		P-UB-14	120 mm	185 mm	KOM-707-99-68780	548.57
BOOM	707-01-0F670	K40001-		P-UB-14	110 mm	160 mm	KOM-707-99-67870	365.51
BUCKET	707-01-0F700	K40001-		P-UB-14	100 mm	160 mm	KOM-707-99-66240	399.16
MODEL PC450LC-8								
ARM	707-01-0F691	A10001-UP		P-UB-14	120 mm	185 mm	KOM-707-99-68780	548.57
	707-01-0F741	A10001-UP	Arm, 2.4m	P-UB-14	120 mm	185 mm	KOM-707-99-68780	548.57
BOOM	707-01-0F670	A10001-UP		P-UB-14	110 mm	160 mm	KOM-707-99-67870	365.51
BUCKET	707-01-0F702	A10001-UP		P-UB-14	110 mm	160 mm	KOM-707-99-72240	497.64
MODEL PC490LC-10								
ARM	707-01-0F741	A40001-UP	Arm, 2.4m	P-UB-14	120 mm	185 mm	KOM-707-99-68780	548.57
	707-E1-00740	A40001-UP		P-UB-14	120mm	185mm	KOM-707-99-69590	585.88
BOOM	707-E1-00720	A40001-UP		P-UB-14	110mm	160mm	KOM-707-99-72060	621.63
BUCKET	707-E1-00750	A40001-UP		P-UB-14	110mm	160mm	KOM-707-99-72070	551.76
TRACK ADJUSTER		A40001-		TRK ADJ			KOM-SK100145	52.50

LT - Large size tire L/S - Loading Shovel SLF - Super Long Front B/H - Backhoe HD - Heavy Duty L BUCKET - Large Bucket
 K-LINK - K-type Linkage Blade LB HI-LIFT - High Lift Arm w Large Bucket HI-LIFT - High Lift Arm S HI-LIFT - Super High Lift Arm
 SU - Semi-U Dozer PAT - Power Angle Power Tilt MP - Mult-Purpose

FORMERLY LISTED REPAIR PARTS ARE AVAILABLE ONLINE AT WWW.HERCULESCA.CA
 OR BY CONTACTING YOUR REGIONAL HERCULES SALES TEAM.

Replacement Kits For

KOMATSU

KOMATSU

Excavators								
APPLICATION	CYL #	SERIAL #	Misc	CODE	ROD	BORE	KIT #	List \$
MODEL PC490LC-10								
TRACK ADJUSTER		A40001-	kit w/ valve	TRK ADJ			KOM-SK100129	103.29
MODEL PC490LC-11								
ARM	707-E1-00740	85001-		P-UB-14	120 mm	185 mm	KOM-721-98-00140	611.20
	707-E1-00740	85001-		Bushing	120 mm		KOM-707-52-90981	84.31
	707-F1-00740	41001-		P-UB-14	120 mm	185 mm	KOM-721-98-00140	611.20
	707-F1-00740	41001-		Bushing	120 mm		KOM-707-52-90981	84.31
BOOM	707-E1-00720	41001-; 85001-		P-UB-14	110 mm	160 mm	KOM-721-98-00130	413.91
	707-E1-00720	41001-; 85001-		Bushing	110 mm		KOM-707-52-90851	55.25
BUCKET	707-E1-00750	41001-; 85001-		P-UB-14	110 mm	160 mm	KOM-721-98-00150	378.78
	707-E1-00750	41001-; 85001-		Bushing	110 mm		KOM-707-52-90851	55.25
TRACK ADJUSTER		A41001-	kit w/ valve	TRK ADJ			KOM-SK100129	103.29
		A41001-		TRK ADJ			KOM-SK100145	52.50
WEIGHT REMOVER	707-00-0G690	41001-		P-U-14	50 mm	95 mm	KOM-707-98-29650	143.78
	707-00-0G690	41001-		Bushing	50 mm		KOM-707-52-15230	18.73
	707-E1-01180	41001-		P-UB-14	70 mm	105 mm	KOM-707-99-37090	253.88
	707-E1-01180	41001-		Bushing	70 mm		KOM-707-52-90471	27.78
MODEL PC490LCi-11								
ARM	707-G7-00170	A45001-A45073; 85113-85326		P-UB-14	120 mm	185 mm	KOM-721-98-01751	769.14
	707-G7-00170	A45001-A45073; 85113-85326		Bushing	120 mm		KOM-707-52-16800	58.43
	707-G7-00170	A45001-A45073; 85113-85326		Bushing	120 mm		KOM-707-52-90981	84.31
	707-G7-00171	A45074-; 85327-		P-UB-14	120 mm	185 mm	KOM-721-98-01751	769.14
	707-G7-00171	A45074-; 85327-		Bushing	120 mm		KOM-707-52-16800	58.43
	707-G7-00171	A45074-; 85327-		Bushing	120 mm		KOM-707-52-90981	84.31
BOOM LH	707-G7-00160	85113-85237		P-UB-14	110 mm	160 mm	KOM-721-98-01720	663.72
	707-G7-00160	85113-85237		Bushing	110 mm		KOM-707-52-90851	55.25
	707-G7-00161	85238-; A45001-		P-UB-14	110 mm	160 mm	KOM-721-98-02530	706.45
	707-G7-00161	85238-; A45001-		Bushing	110 mm		KOM-707-52-15730	50.23
BOOM RH	707-G7-00161	85238-; A45001-		Bushing	110 mm		KOM-707-52-90851	55.25
	707-E1-00720	A45001-; 85113-		P-UB-14	110 mm	160 mm	KOM-721-98-00130	413.91
	707-E1-00720	A45001-; 85113-		Bushing	110 mm		KOM-707-52-90851	55.25
BUCKET	707-G7-00180	85113-85146		P-UB-14	110 mm	160 mm	KOM-721-98-01741	663.84
	707-G7-00180	85113-85146		Bushing	110 mm		KOM-707-52-15730	50.23
	707-G7-00180	85113-85146		Bushing	110 mm		KOM-707-52-90851	55.25
	707-G7-00181	A45001-A45073; 85147-85326		P-UB-14	110 mm	160 mm	KOM-721-98-01741	663.84
	707-G7-00181	A45001-A45073; 85147-85326		Bushing	110 mm		KOM-707-52-15730	50.23
	707-G7-00181	A45001-A45073; 85147-85326		Bushing	110 mm		KOM-707-52-90851	55.25
	707-G7-00182	85327-; A45074-		P-UB-14	110 mm	160 mm	KOM-721-98-01741	663.84
	707-G7-00182	85327-; A45074-		Bushing	110 mm		KOM-707-52-15730	50.23
	707-G7-00182	85327-; A45074-		Bushing	110 mm		KOM-707-52-90851	55.25
	TRACK ADJUSTER		A45001-; 85113-	kit w/ valve	TRK ADJ			KOM-SK100129
		A45001-; 85113-		TRK ADJ			KOM-SK100145	52.50
MODEL PC600-6, PC600LC-6								
ARM	21M-63-02121	10001-		P-UB-14	140 mm	200 mm	KOM-707-99-77140	475.92
BOOM	21M-63-02101	10001-		P-UB-14	120 mm	185 mm	KOM-707-99-68580	532.82
BUCKET	21M-63-02131	10001-		P-UB-14	120 mm	185 mm	KOM-707-99-68560	892.18
	21M-63-02140	10001-	LC-6	P-UB-14	120 mm	185 mm	KOM-707-99-68560	892.18
MODEL PC600LC-6A								
ARM	21M-63-02121	10001-		P-UB-14	140 mm	200 mm	KOM-707-99-77140	475.92
	707-01-0E890	11107-		P-UB-14	140 mm	200 mm	KOM-707-99-77160	449.42
BOOM	21M-63-02101	10001-		P-UB-14	120 mm	185 mm	KOM-707-99-68580	532.82

LT - Large size tire L/S - Loading Shovel SLF - Super Long Front B/H - Backhoe HD - Heavy Duty L BUCKET - Large Bucket
 K-LINK - K-type Linkage Blade LB HI-LIFT - High Lift Arm w Large Bucket HI-LIFT - High Lift Arm S HI-LIFT - Super High Lift Arm
 SU - Semi-U Dozer PAT - Power Angle Power Tilt MP - Mult-Purpose

KOMATSU

Replacement Kits For

KOMATSU

Excavators								
APPLICATION	CYL #	SERIAL #	Misc	CODE	ROD	BORE	KIT #	List \$
MODEL PC600LC-6A								
BOOM	707-01-0E870	11107-		P-UB-14	130 mm	185 mm	KOM-707-99-69700	584.04
BOTTOM DUMP	707-01-0C500	11107-		P-UB-14	90 mm	140 mm	KOM-707-99-56220	218.88
BUCKET	21M-63-02131	10001-		P-UB-14	120 mm	185 mm	KOM-707-99-68560	892.18
	21M-63-02140	10001-		P-UB-14	120 mm	185 mm	KOM-707-99-68560	892.18
	707-01-0E900	11107-		P-UB-14	110 mm	160 mm	KOM-707-99-67830	288.85
MODEL PC600LC-6K								
ARM	21M-63-02121	K30001-		P-UB-14	140 mm	200 mm	KOM-707-99-77140	475.92
BOOM	21M-63-02101	K30001-		P-UB-14	120 mm	185 mm	KOM-707-99-68580	532.82
BUCKET	21M-63-02131	K30001-		P-UB-14	120 mm	185 mm	KOM-707-99-68560	892.18
	21M-63-02140	K30001-		P-UB-14	120 mm	185 mm	KOM-707-99-68560	892.18
MODEL PC600LC-7								
ARM	21M-63-02121	20001-		P-UB-14	140 mm	200 mm	KOM-707-99-77140	475.92
BOOM	21M-63-02101	20001-		P-UB-14	120 mm	185 mm	KOM-707-99-68580	532.82
BUCKET	21M-63-02131	20001-		P-UB-14	120 mm	185 mm	KOM-707-99-68560	892.18
	21M-63-02140	20001-		P-UB-14	120 mm	185 mm	KOM-707-99-68560	892.18
WEIGHT REMOVER	209-63-07010	20032-		P-U-14	85 mm	130 mm	KOM-209-63-07010K	133.15
	707-01-0G420	20050-		P-UB-14	120 mm	185 mm	KOM-707-99-68780	548.57
MODEL PC600LC-8								
ARM	707-01-0J650	30001-		P-UB-14	140 mm	200 mm	KOM-707-99-76300	488.22
BUCKET	707-01-0J660	30001-		P-UB-14	130 mm	185 mm	KOM-707-99-69790	591.19
	707-01-0J670	30001-	SE Spec.	P-UB-14	130 mm	185 mm	KOM-707-99-69790	591.19
LOADER ARM	707-01-0E890	30001-		P-UB-14	140 mm	200 mm	KOM-707-99-77160	449.42
LOADER BOOM	707-01-0E870	30001-		P-UB-14	130 mm	185 mm	KOM-707-99-69700	584.04
LOADER BOTTOM DUMP	707-01-0C500	30001-		P-UB-14	90 mm	140 mm	KOM-707-99-56220	218.88
LOADER BUCKET	707-01-0E900	30001-		P-UB-14	110 mm	160 mm	KOM-707-99-67830	288.85
WEIGHT REMOVER	707-00-0X500	30001-	Counter Weight 1	P-U-14	50 mm	95 mm	KOM-707-98-29650	143.78
	707-00-0X500	30001-	Counter Weight 1	Bushing	50 mm		KOM-07177-05030	18.73
	707-01-0K360	30001-	Counter Weight 2	P-UB-14	85 mm	120 mm	KOM-707-99-46030	190.76
	707-01-0K360	30001-	Counter Weight 2	Bushing	85 mm		KOM-707-52-90610	41.83
MODEL PC650-5								
ARM (B/H)	209-63-02120	20169-		P-UB-14	140 mm	200 mm	KOM-707-99-77240	1096.34
BOOM (B/H)	209-63-02100	20169-		P-UB-14	140 mm	200 mm	KOM-707-99-77220	350.19
BOOM (L/S)	209-63-03011	20164-		P-UB-14	120 mm	180 mm	KOM-707-99-68600	398.79
BOTTOM DUMP (L/S)	209-63-03061	20164-		P-UB-14	90 mm	140 mm	KOM-707-99-56300	235.46
BUCKET (B/H)	209-63-02130	20169-		P-UB-14	130 mm	180 mm	KOM-707-99-69600	635.60
BUCKET (L/S)	209-63-03041	20164-		P-UB-14	130 mm	180 mm	KOM-707-99-69600	635.60
TRACK ADJUSTER		20001-	kit w/ valve	TRK ADJ			KOM-SK100132	356.39
		20001-		TRK ADJ			KOM-SK100148	282.25
MODEL PC750-6								
ARM (B/H)	209-63-02381	10001-		P-UB-14	140 mm	200 mm	KOM-707-99-77380	367.16
BOOM (B/H)	209-63-02301	10001-		P-UB-14	140 mm	200 mm	KOM-707-99-77380	367.16
BOOM (L/S)	209-63-03311	10001-		P-UB-14	140 mm	200 mm	KOM-707-99-77380	367.16
BUCKET (B/H)	209-63-02372	10001-		P-UB-14	120 mm	185 mm	KOM-707-99-68510	511.63
MODEL PC750SE-6								
ARM	209-63-02351	10001-		P-UB-14	120 mm	185 mm	KOM-707-99-68510	511.63
BOOM	209-63-02301	10001-		P-UB-14	140 mm	200 mm	KOM-707-99-77380	367.16
MODEL PC800-6								
ARM	209-63-02351	30001-		P-UB-14	120 mm	185 mm	KOM-707-99-68510	511.63
BOOM	209-63-02301	30001-		P-UB-14	140 mm	200 mm	KOM-707-99-77380	367.16
BUCKET	209-63-02372	30001-		P-UB-14	120 mm	185 mm	KOM-707-99-68510	511.63
MODEL PC800-7								
ARM	707-01-0A531	40001-		P-UB-14	120 mm	185 mm	KOM-707-99-68660	524.39

LT - Large size tire L/S - Loading Shovel SLF - Super Long Front B/H - Backhoe HD - Heavy Duty L BUCKET - Large Bucket
 K-LINK - K-type Linkage Blade LB HI-LIFT - High Lift Arm w Large Bucket HI-LIFT - High Lift Arm S HI-LIFT - Super High Lift Arm
 SU - Semi-U Dozer PAT - Power Angle Power Tilt MP - Mulit-Purpose

FORMERLY LISTED REPAIR PARTS ARE AVAILABLE ONLINE AT WWW.HERCULESCA.CA
 OR BY CONTACTING YOUR REGIONAL HERCULES SALES TEAM.

Replacement Kits For

KOMATSU

Excavators								
APPLICATION	CYL #	SERIAL #	Misc	CODE	ROD	BORE	KIT #	List \$
MODEL PC800-7								
BOOM	707-01-0A510	40001-		P-UB-14	140 mm	200 mm	KOM-707-99-77300	353.51
	707-01-0Y020	40001-		P-UB-14	140 mm	200 mm	KOM-707-99-77300	353.51
BUCKET	209-63-02540	40001-		P-UB-14	120 mm	185 mm	KOM-707-99-68560	892.18
MODEL PC800SE-6								
ARM	209-63-02351	30001-		P-UB-14	120 mm	185 mm	KOM-707-99-68510	511.63
BOOM	209-63-02301	30001-		P-UB-14	140 mm	200 mm	KOM-707-99-77380	367.16
MODEL PC800SE-8								
ARM				P-UB-14	120 mm	185 mm	KOM-707-99-68470	737.35
BOOM				P-UB-14	140 mm	220 mm	KOM-707-99-76230	825.62
BUCKET				P-UB-14	160 mm	225 mm	KOM-707-99-78780	1773.98
MODEL PC1000-1								
ARM (B/H)	21N-63-02030	10001-		P-UB-14	170 mm	250 mm	KOM-707-99-89200	1016.78
ARM (L/S)	21N-63-03030	10001-		P-UB-14	130 mm	180 mm	KOM-707-99-69620	672.11
BOOM (B/H)	21N-63-02010	10001-		P-UB-14	160 mm	225 mm	KOM-707-99-78620	1685.57
BOOM (L/S)	21N-63-03010	10001-		P-UB-14	160 mm	225 mm	KOM-707-99-78620	1685.57
BOTTOM DUMP	21N-63-03071	10001-		P-UB-14	90 mm	140 mm	KOM-707-99-56310	550.26
BUCKET (B/H)	21N-63-02040	10001-		P-UB-14	160 mm	225 mm	KOM-707-99-78630	1685.06
BUCKET (L/S)	21N-63-03050	10001-		P-UB-14	140 mm	200 mm	KOM-707-99-77250	994.48
MODEL PC1000SE-1, PC1000SP-1								
ARM	21N-63-02030	10001-	SE-1	P-UB-14	170 mm	250 mm	KOM-707-99-89200	1016.78
	21N-63-02031	10001-		P-UB-14	170 mm	250 mm	KOM-707-99-89200	1016.78
BOOM	21N-63-02010	10001-	SE-1	P-UB-14	160 mm	225 mm	KOM-707-99-78620	1685.57
	21N-63-02011	10001-		P-UB-14	160 mm	225 mm	KOM-707-99-78620	1685.57
BUCKET	21N-63-02060	10001-		P-UB-14	160 mm	225 mm	KOM-707-99-78630	1685.06
MODEL PC1100-6								
ARM (B/H)	21N-63-02322	10001-		P-UB-14	170 mm	250 mm	KOM-707-99-89220	2279.72
ARM (L/S)	21N-63-03120	10001-10109		P-UB-14	130 mm	185 mm	KOM-707-99-69670	501.99
	21N-63-03120	10001-10109		Bushing	130 mm		KOM-707-52-91070	92.74
	21N-63-03121	10110-		P-UB-14	130 mm	185 mm	KOM-707-99-69670	501.99
	21N-63-03121	10110-		Bushing	130 mm		KOM-707-52-91070	92.74
BOOM (B/H)	21N-63-02302	10001-10154		P-UB-14	160 mm	225 mm	KOM-707-99-78700	1518.68
	21N-63-02302	10001-10154		Bushing	160 mm		KOM-707-52-91350	144.82
	21N-63-02303	10155-		P-UB-14	160 mm	225 mm	KOM-707-99-78700	1518.68
	21N-63-02303	10155-		Bushing	160 mm		KOM-707-52-91350	144.82
BOOM (L/S)	21N-63-03100	10001-		P-UB-14	160 mm	225 mm	KOM-707-99-78700	1518.68
	21N-63-03100	10001-		Bushing	160 mm		KOM-707-52-91350	144.82
BOTTOM DUMP (L/S)	21N-63-03160	10001-		P-UB-14	90 mm	140 mm	KOM-707-98-56210	254.69
	21N-63-03160	10001-		Bushing	90 mm		KOM-707-52-90650	51.52
BUCKET (B/H)	21N-63-02332	10001-		P-UB-14	110 mm	160 mm	KOM-707-99-67290	348.81
	21N-63-02342	10001-		P-UB-14	110 mm	160 mm	KOM-707-99-67290	348.81
	21N-63-02370	10001-	5.7m Arm	P-UB-14	140 mm	200 mm	KOM-707-99-77120	881.14
	21N-63-02370	10001-	5.7m Arm	Bushing	140 mm		KOM-707-52-11410	142.17
BUCKET (L/S)	21N-63-03140	10001-		P-UB-14	140 mm	200 mm	KOM-707-98-77210	352.12
	21N-63-03140	10001-		Bushing	140 mm		KOM-707-52-91150	142.17
BUCKET LH (B/H)	21N-63-02332	10001-	3.4m, 4.5m Arm	P-UB-14	110 mm	160 mm	KOM-707-99-67290	348.81
	21N-63-02332	10001-	3.4m, 4.5m Arm	Bushing	110 mm		KOM-707-52-90860	105.97
BUCKET RH (B/H)	21N-63-02342	10001-	3.4m, 4.5m Arm	P-UB-14	110 mm	160 mm	KOM-707-99-67290	348.81
	21N-63-02342	10001-	3.4m, 4.5m Arm	Bushing	110 mm		KOM-707-52-90860	105.97
MODEL PC1100SP-6								
ARM	21N-63-02322	10001-		P-UB-14	170 mm	250 mm	KOM-707-99-89220	2279.72
BOOM	21N-63-02302	10001-		P-UB-14	160 mm	225 mm	KOM-707-99-78700	1518.68
BUCKET	21N-63-02351	10001-		P-UB-14	110 mm	160 mm	KOM-707-99-67290	348.81

LT - Large size tire L/S - Loading Shovel SLF - Super Long Front B/H - Backhoe HD - Heavy Duty L BUCKET - Large Bucket
 K-LINK - K-type Linkage Blade LB HI-LIFT - High Lift Arm w Large Bucket HI-LIFT - High Lift Arm S HI-LIFT - Super High Lift Arm
 SU - Semi-U Dozer PAT - Power Angle Power Tilt MP - Mult-Purpose

Replacement Kits For

KOMATSU

KOMATSU

Excavators								
APPLICATION	CYL #	SERIAL #	Misc	CODE	ROD	BORE	KIT #	List \$
MODEL PC1100SP-6								
BUCKET	21N-63-02361	10001-		P-UB-14	110 mm	160 mm	KOM-707-99-67290	348.81
MODEL PC1250-7								
ARM (B/H)	21N-63-02322	20001-20083		P-UB-14	170 mm	250 mm	KOM-707-99-89220	2279.72
	21N-63-02324	20084-		P-UB-14	170 mm	250 mm	KOM-707-99-89250	2279.72
ARM (L/S)	21N-63-03121	20001-		P-UB-14	130 mm	185 mm	KOM-707-99-69670	501.99
	21N-63-03121	20001-		Bushing	130 mm		KOM-707-52-91070	92.74
BOOM (B/H)	21N-63-02303	20001-20083		P-UB-14	160 mm	225 mm	KOM-707-99-78700	1518.68
	21N-63-02303	20001-20083		Bushing	160 mm		KOM-707-52-91350	144.82
	21N-63-02304	20084-20449		P-UB-14	160 mm	225 mm	KOM-707-99-78740	1518.68
	21N-63-02304	20084-20449		Bushing	160 mm		KOM-707-52-91350	144.82
	21N-63-02304	20450-		P-UB-14	160 mm	225 mm	KOM-707-99-78740	1518.68
	21N-63-02304	20450-		Bushing	160 mm		KOM-707-52-91350	144.82
BOOM (L/S)	21N-63-03100	20001-		P-UB-14	160 mm	225 mm	KOM-707-99-78700	1518.68
	21N-63-03100	20001-		Bushing	160 mm		KOM-707-52-91350	144.82
BOTTOM DUMP (L/S)	707-01-0E940	20001-		P-UB-14	110 mm	160 mm	KOM-707-99-67090	529.71
	707-01-0E940	20001-		Bushing	110 mm		KOM-707-52-90850	55.25
BUCKET (B/H)	21N-63-02370	20001-20083	5.7m Arm	P-UB-14	140 mm	200 mm	KOM-707-99-77120	881.14
	21N-63-02370	20001-20083	5.7m Arm	Bushing	140 mm		KOM-707-52-11410	142.17
	21N-63-02371	20084-	5.7m Arm	P-UB-14	140 mm	200 mm	KOM-707-99-77190	909.01
	21N-63-02371	20084-	5.7m Arm	Bushing	140 mm		KOM-707-52-91150	142.17
BUCKET LH (B/H)	21N-63-02332	20001-20083	3.4m, 4.5m Arm	P-UB-14	110 mm	160 mm	KOM-707-99-67290	348.81
	21N-63-02332	20001-20083	3.4m, 4.5m Arm	Bushing	110 mm		KOM-707-52-90860	105.97
	21N-63-02333	20084-20406	3.4m, 4.5m Arm	P-UB-14	110 mm	160 mm	KOM-707-99-67840	348.13
	21N-63-02333	20084-20406	3.4m, 4.5m Arm	Bushing	110 mm		KOM-707-52-90860	105.97
	707-01-0J750	20407-	3.4m, 4.5m Arm	P-UB-14	115 mm	160 mm	KOM-707-99-72390	592.26
BUCKET LH (L/S)	707-01-0E920	20001-		P-UB-14	140 mm	200 mm	KOM-707-99-77050	352.12
	707-01-0E920	20001-		Bushing	140 mm		KOM-707-52-91151	142.17
BUCKET RH (B/H)	21N-63-02342	20001-20083	3.4m, 4.5m Arm	P-UB-14	110 mm	160 mm	KOM-707-99-67290	348.81
	21N-63-02342	20001-20083	3.4m, 4.5m Arm	Bushing	110 mm		KOM-707-52-90860	105.97
	21N-63-02343	20084-20406	3.4m, 4.5m Arm	P-UB-14	110 mm	160 mm	KOM-707-99-67840	348.13
	21N-63-02343	20084-20406	3.4m, 4.5m Arm	Bushing	110 mm		KOM-707-52-90860	105.97
	707-01-0J760	20407-	3.4m, 4.5m Arm	P-UB-14	115 mm	160 mm	KOM-707-99-72390	592.26
BUCKET RH (L/S)	707-01-0E930	20001-		P-UB-14	140 mm	200 mm	KOM-707-99-77050	352.12
	707-01-0E930	20001-		Bushing	140 mm		KOM-707-52-91151	142.17
MODEL PC1250-8								
ARM (B/H)	21N-63-02324	30001-30157		P-UB-14	170 mm	250 mm	KOM-707-99-89250	2279.72
	707-01-0CA40	30158-		P-UB-14	170 mm	250 mm	KOM-707-98-85310	1846.38
ARM (L/S)	21N-63-03121	30001-		P-UB-14	130 mm	185 mm	KOM-707-99-69670	501.99
	21N-63-03121	30001-		Bushing	130 mm		KOM-707-52-91070	92.74
	21N-63-03121	30158-		P-UB-14	130 mm	185 mm	KOM-707-99-69670	501.99
	21N-63-03121	30158-		Bushing	130 mm		KOM-707-52-91071	92.74
BOOM (B/H)	21N-63-02304	30001-30014		P-UB-14	160 mm	225 mm	KOM-707-99-78740	1518.68
	21N-63-02304	30001-30014		Bushing	160 mm		KOM-707-52-91350	144.82
	21N-63-02304	30015-		P-UB-14	160 mm	225 mm	KOM-707-99-78740	1518.68
	21N-63-02304	30015-		Bushing	160 mm		KOM-707-52-91350	144.82
	21N-63-02304	30158-30246		P-UB-14	160 mm	225 mm	KOM-707-99-78740	1518.68
	21N-63-02304	30158-30246		Bushing	160 mm		KOM-707-52-91351	144.82

LT - Large size tire L/S - Loading Shovel SLF - Super Long Front B/H - Backhoe HD - Heavy Duty L BUCKET - Large Bucket
 K-LINK - K-type Linkage Blade LB HI-LIFT - High Lift Arm w Large Bucket HI-LIFT - High Lift Arm S HI-LIFT - Super High Lift Arm
 SU - Semi-U Dozer PAT - Power Angle Power Tilt MP - Multit-Purpose

FORMERLY LISTED REPAIR PARTS ARE AVAILABLE ONLINE AT WWW.HERCULESCA.CA
 OR BY CONTACTING YOUR REGIONAL HERCULES SALES TEAM.

Replacement Kits For

KOMATSU

Excavators								
APPLICATION	CYL #	SERIAL #	Misc	CODE	ROD	BORE	KIT #	List \$
MODEL PC1250-8								
BOOM (B/H)	707-F1-01380	30247-		P-UB-14	160 mm	225 mm	KOM-707-99-78440	1540.89
	707-F1-01380	30247-		Bushing	160 mm		KOM-707-52-91351	144.82
BOOM (L/S)	21N-63-03100	30001-		P-UB-14	160 mm	225 mm	KOM-707-99-78700	1518.68
	21N-63-03100	30001-		Bushing	160 mm		KOM-707-52-91350	144.82
	21N-63-03100	30158-		P-UB-14	160 mm	225 mm	KOM-707-99-78700	1518.68
	21N-63-03100	30158-		Bushing	160 mm		KOM-707-52-91351	144.82
BOTTOM DUMP (L/S)	707-01-0E940	30001-		P-UB-14	110 mm	160 mm	KOM-707-99-67090	529.71
	707-01-0E940	30001-		Bushing	110 mm		KOM-707-52-90850	55.25
	707-01-0E940	30158-		P-UB-14	110 mm	160 mm	KOM-707-99-67090	529.71
	707-01-0E940	30158-		Bushing	110 mm		KOM-707-52-90851	55.25
BUCKET (B/H)	21N-63-02371	30001-	5.7m Arm	P-UB-14	140 mm	200 mm	KOM-707-99-77190	909.01
	21N-63-02371	30001-	5.7m Arm	Bushing	140 mm		KOM-707-52-91150	142.17
	21N-63-02371	30158-30246		P-UB-14	140 mm	200 mm	KOM-707-99-77190	909.01
	21N-63-02371	30158-30246		Bushing	140 mm		KOM-707-52-91151	142.17
	707-F1-01400	30247-	5.7m Arm	P-UB-14	140 mm	200 mm	KOM-707-99-76030	1170.56
	707-F1-01400	30247-	5.7m Arm	Bushing	140 mm		KOM-707-52-91151	142.17
BUCKET LH (B/H)	707-01-0J750	30001-	3.4m, 4.5m Arm	P-UB-14	115 mm	160 mm	KOM-707-99-72390	592.26
	707-01-0J750	30158-30246	3.4m Arm	P-UB-14	115 mm	160 mm	KOM-707-99-72390	592.26
	707-01-0J752	30247-	3.4m Arm	P-UB-14	115 mm	160 mm	KOM-707-99-72090	702.30
BUCKET LH (L/S)	707-01-0E920	30001-		P-UB-14	140 mm	200 mm	KOM-707-99-77050	352.12
	707-01-0E920	30001-		Bushing	140 mm		KOM-707-52-91151	142.17
	707-01-0E920	30158-		P-UB-14	140 mm	200 mm	KOM-707-99-77050	352.12
	707-01-0E920	30158-		Bushing	140 mm		KOM-707-52-91151	142.17
BUCKET RH (B/H)	707-01-0J760	30001-	3.4m, 4.5m Arm	P-UB-14	115 mm	160 mm	KOM-707-99-72390	592.26
	707-01-0J760	30158-30246	3.4m Arm	P-UB-14	115 mm	160 mm	KOM-707-99-72390	592.26
	707-01-0J762	30247-	3.4m Arm	P-UB-14	115 mm	160 mm	KOM-707-99-72090	702.30
BUCKET RH (L/S)	707-01-0E930	30001-		P-UB-14	140 mm	200 mm	KOM-707-99-77050	352.12
	707-01-0E930	30001-		Bushing	140 mm		KOM-707-52-91151	142.17
	707-01-0E930	30158-		P-UB-14	140 mm	200 mm	KOM-707-99-77050	352.12
	707-01-0E930	30158-		Bushing	140 mm		KOM-707-52-91151	142.17
MODEL PC1250LC-7								
ARM (B/H)	21N-63-02322	20001-20083		P-UB-14	170 mm	250 mm	KOM-707-99-89220	2279.72
	21N-63-02324	20084-		P-UB-14	170 mm	250 mm	KOM-707-99-89250	2279.72
BOOM (B/H)	21N-63-02303	20001-20083		P-UB-14	160 mm	225 mm	KOM-707-99-78700	1518.68
	21N-63-02303	20001-20083		Bushing	160 mm		KOM-707-52-91350	144.82
	21N-63-02304	20084-20449		P-UB-14	160 mm	225 mm	KOM-707-99-78740	1518.68
	21N-63-02304	20084-20449		Bushing	160 mm		KOM-707-52-91350	144.82
	21N-63-02304	20450-		P-UB-14	160 mm	225 mm	KOM-707-99-78740	1518.68
	21N-63-02304	20450-		Bushing	160 mm		KOM-707-52-91350	144.82
BUCKET (B/H)	21N-63-02370	20001-20083	5.7m Arm	P-UB-14	140 mm	200 mm	KOM-707-99-77120	881.14
	21N-63-02370	20001-20083	5.7m Arm	Bushing	140 mm		KOM-707-52-11410	142.17
	21N-63-02371	20084-	5.7m Arm	P-UB-14	140 mm	200 mm	KOM-707-99-77190	909.01
	21N-63-02371	20084-	5.7m Arm	Bushing	140 mm		KOM-707-52-91150	142.17
BUCKET LH (B/H)	21N-63-02332	20001-20083	3.4m, 4.5m Arm	P-UB-14	110 mm	160 mm	KOM-707-99-67290	348.81
	21N-63-02332	20001-20083	3.4m, 4.5m Arm	Bushing	110 mm		KOM-707-52-90860	105.97
	21N-63-02333	20084-20406	3.4m, 4.5m Arm	P-UB-14	110 mm	160 mm	KOM-707-99-67840	348.13
	21N-63-02333	20084-20406	3.4m, 4.5m Arm	Bushing	110 mm		KOM-707-52-90860	105.97
	707-01-0J750	20407-	3.4m, 4.5m Arm	P-UB-14	115 mm	160 mm	KOM-707-99-72390	592.26

LT - Large size tire L/S - Loading Shovel SLF - Super Long Front B/H - Backhoe HD - Heavy Duty L BUCKET - Large Bucket
 K-LINK - K-type Linkage Blade LB HI-LIFT - High Lift Arm w Large Bucket HI-LIFT - High Lift Arm S HI-LIFT - Super High Lift Arm
 SU - Semi-U Dozer PAT - Power Angle Power Tilt MP - Mult-Purpose

Replacement Kits For

KOMATSU

KOMATSU

Excavators								
APPLICATION	CYL #	SERIAL #	Misc	CODE	ROD	BORE	KIT #	List \$
MODEL PC1250LC-7								
BUCKET RH (B/H)	21N-63-02342	20001-20083	3.4m, 4.5m Arm	P-UB-14	110 mm	160 mm	KOM-707-99-67290	348.81
	21N-63-02342	20001-20083	3.4m, 4.5m Arm	Bushing	110 mm		KOM-707-52-90860	105.97
	21N-63-02343	20084-20406	3.4m, 4.5m Arm	P-UB-14	110 mm	160 mm	KOM-707-99-67840	348.13
	21N-63-02343	20084-20406	3.4m, 4.5m Arm	Bushing	110 mm		KOM-707-52-90860	105.97
	707-01-0J760	20407-	3.4m, 4.5m Arm	P-UB-14	115 mm	160 mm	KOM-707-99-72390	592.26
MODEL PC1250LC-8								
ARM (B/H)	21N-63-02324	30001-30157		P-UB-14	170 mm	250 mm	KOM-707-99-89250	2279.72
	707-01-0CA40	30158-		P-UB-14	170 mm	250 mm	KOM-707-98-85310	1846.38
BOOM (B/H)	21N-63-02304	30001-		P-UB-14	160 mm	225 mm	KOM-707-99-78740	1518.68
	21N-63-02304	30001-		Bushing	160 mm		KOM-707-52-91350	144.82
	21N-63-02304	30158-30246		P-UB-14	160 mm	225 mm	KOM-707-99-78740	1518.68
	21N-63-02304	30158-30246		Bushing	160 mm		KOM-707-52-91351	144.82
	707-F1-01380	30247-		P-UB-14	160 mm	225 mm	KOM-707-99-78440	1540.89
	707-F1-01380	30247-		Bushing	160 mm		KOM-707-52-91351	144.82
BUCKET (B/H)	21N-63-02371	30001-	5.7m Arm	P-UB-14	140 mm	200 mm	KOM-707-99-77190	909.01
	21N-63-02371	30001-	5.7m Arm	Bushing	140 mm		KOM-707-52-91150	142.17
	21N-63-02371	30158-30246	5.7m Arm	P-UB-14	140 mm	200 mm	KOM-707-99-77190	909.01
	21N-63-02371	30158-30246	5.7m Arm	Bushing	140 mm		KOM-707-52-91151	142.17
	707-F1-01400	30247-	5.7m Arm	P-UB-14	140 mm	200 mm	KOM-707-99-76030	1170.56
	707-F1-01400	30247-	5.7m Arm	Bushing	140 mm		KOM-707-52-91151	142.17
BUCKET LH (B/H)	707-01-0J750	30001-	3.4m, 4.5m Arm	P-UB-14	115 mm	160 mm	KOM-707-99-72390	592.26
	707-01-0J750	30158-30246	3.4m, 4.5m Arm	P-UB-14	115 mm	160 mm	KOM-707-99-72390	592.26
	707-01-0J752	30247-	3.4m, 4.5m Arm	P-UB-14	115 mm	160 mm	KOM-707-99-72090	702.30
BUCKET RH (B/H)	707-01-0J760	30001-	3.4m, 4.5m Arm	P-UB-14	115 mm	160 mm	KOM-707-99-72390	592.26
	707-01-0J760	30158-30246	3.4m, 4.5m Arm	P-UB-14	115 mm	160 mm	KOM-707-99-72390	592.26
	707-01-0J762	30247-	3.4m, 4.5m Arm	P-UB-14	115 mm	160 mm	KOM-707-99-72090	702.30
MODEL PC1250SP-7								
ARM (B/H)	21N-63-02322	20001-20083		P-UB-14	170 mm	250 mm	KOM-707-99-89220	2279.72
	21N-63-02324	20084-		P-UB-14	170 mm	250 mm	KOM-707-99-89250	2279.72
BOOM (B/H)	21N-63-02303	20001-20083		P-UB-14	160 mm	225 mm	KOM-707-99-78700	1518.68
	21N-63-02303	20001-20083		Bushing	160 mm		KOM-707-52-91350	144.82
	21N-63-02304	20084-		P-UB-14	160 mm	225 mm	KOM-707-99-78740	1518.68
	21N-63-02304	20084-		Bushing	160 mm		KOM-707-52-91350	144.82
BUCKET LH (B/H)	21N-63-02351	20001-20083	3.4m Arm	P-UB-14	110 mm	160 mm	KOM-707-99-67290	348.81
	21N-63-02351	20001-20083	3.4m Arm	Bushing	110 mm		KOM-707-52-90860	105.97
	21N-63-02352	20084-20406	3.4m Arm	P-UB-14	110 mm	160 mm	KOM-707-99-67840	348.13
	21N-63-02352	20084-20406	3.4m Arm	Bushing	110 mm		KOM-707-52-90860	105.97
	707-01-0J770	20407-	3.4m Arm	P-UB-14	115 mm	160 mm	KOM-707-99-72390	592.26
BUCKET RH (B/H)	21N-63-02361	20001-20083	3.4m Arm	P-UB-14	110 mm	160 mm	KOM-707-99-67290	348.81
	21N-63-02361	20001-20083	3.4m Arm	Bushing	110 mm		KOM-707-52-90860	105.97
	21N-63-02362	20084-20406	3.4m Arm	P-UB-14	110 mm	160 mm	KOM-707-99-67840	348.13
	21N-63-02362	20084-20406	3.4m Arm	Bushing	110 mm		KOM-707-52-90860	105.97
	707-01-0J780	20407-	3.4m Arm	P-UB-14	115 mm	160 mm	KOM-707-99-72390	592.26
MODEL PC1250SP-8								
ARM (B/H)	707-01-0CA40	30158-		P-UB-14	170 mm	250 mm	KOM-707-98-85310	1846.38
BOOM (B/H)	21N-63-02304	30158-30246		P-UB-14	160 mm	225 mm	KOM-707-99-78740	1518.68

LT - Large size tire L/S - Loading Shovel SLF - Super Long Front B/H - Backhoe HD - Heavy Duty L BUCKET - Large Bucket
 K-LINK - K-type Linkage Blade LB HI-LIFT - High Lift Arm w Large Bucket HI-LIFT - High Lift Arm S HI-LIFT - Super High Lift Arm
 SU - Semi-U Dozer PAT - Power Angle Power Tilt MP - Mulit-Purpose

FORMERLY LISTED REPAIR PARTS ARE AVAILABLE ONLINE AT WWW.HERCULESCA.CA
 OR BY CONTACTING YOUR REGIONAL HERCULES SALES TEAM.

Replacement Kits For

KOMATSU

KOMATSU

Excavators								
APPLICATION	CYL #	SERIAL #	Misc	CODE	ROD	BORE	KIT #	List \$
MODEL PC1250SP-8								
BOOM (B/H)	21N-63-02304	30158-30246		Bushing	160 mm		KOM-707-52-91351	144.82
	707-F1-01380	30247-		P-UB-14	160 mm	225 mm	KOM-707-99-78440	1540.89
	707-F1-01380	30247-		Bushing	160 mm		KOM-707-52-91351	144.82
BUCKET LH (B/H)	707-01-0J770	30158-30246	3.4m Arm	P-UB-14	115 mm	160 mm	KOM-707-99-72390	592.26
	707-01-0J772	30247-	3.4m Arm	P-UB-14	115 mm	160 mm	KOM-707-99-72090	702.30
BUCKET RH (B/H)	707-01-0J780	30158-30246	3.4m Arm	P-UB-14	115 mm	160 mm	KOM-707-99-72390	592.26
	707-01-0J782	30247-	3.4m Arm	P-UB-14	115 mm	160 mm	KOM-707-99-72090	702.30
MODEL PC1800-6								
ARM (B/H)	21T-63-02330	10001-		P-UB-14	160 mm	250 mm	KOM-707-99-85310	2070.08
	21T-63-02330	10001-		Bushing	160 mm		KOM-707-52-91350	144.82
BOOM LH (B/H)	21T-63-02310	10001-10044		P-UB-14	190 mm	280 mm	KOM-707-99-87700	1937.64
	21T-63-02311	10045-		P-UB-25	190 mm	280 mm	KOM-707-99-87730	1937.64
BOOM RH (B/H)	21T-63-02320	10001-10044		P-UB-14	190 mm	280 mm	KOM-707-99-87700	1937.64
	21T-63-02321	10045-		P-UB-25	190 mm	280 mm	KOM-707-99-87730	1937.64
BUCKET (B/H)	21T-63-02350	10001-		P-UB-14	140 mm	200 mm	KOM-707-99-77130	1263.12
	21T-63-02350	10001-		Bushing	140 mm		KOM-707-52-91150	142.17
MODEL PC2000-8								
ARM (B/H)	707-01-0K770	20001-		P-UB-14	160 mm	250 mm	KOM-707-99-85350	3609.70
	707-01-0K770	20001-		Bushing	160 mm		KOM-707-52-91351	144.82
BOOM (B/H)	707-01-0K750	20001-		P-UB-14	200 mm	300 mm	KOM-707-99-96140	4331.31
BOOM LH (B/H)	707-01-0K750	20001-		P-UB-14	200 mm	300 mm	KOM-707-99-96140	4331.31
BOOM RH (B/H)	707-01-0K760	20001-		P-UB-14	200 mm	300 mm	KOM-707-99-96140	4331.31
BUCKET (B/H)	707-01-0K790	20001-		P-UB-14	140 mm	200 mm	KOM-707-99-76260	1570.12
LADDER CYLINDER	707-00-0E670	20073-		P-U-14	50 mm	95 mm	KOM-707-98-29640	130.82
	707-00-0E670	20073-		Bushing	50 mm		KOM-07177-05030	18.73
SERVICE BOARD LIFT	707-00-0Y770	20150-		P-U-14	35 mm	65 mm	KOM-707-98-13890	51.43
	707-00-0Y770	20150-		Bushing	35 mm		KOM-07177-03525	9.90
MODEL PC8000-6E								
ARM	91399040			RK-I-V-1	290 mm		KOM-770-318-73	2841.99
	92680040			PK-N-N-10		460 mm	KOM-794-792-73	4143.41
BUCKET	91397540			RK-I-V-1	260 mm		KOM-770-184-73	2197.71
	91397540			PK-N-N-10		380 mm	KOM-794-000-73	2476.56
SEMI-ARM	91588040			RK-I-V-1	240 mm		KOM-769-931-73	1094.79
	95766040			PK-N-N-10		330 mm	KOM-767-482-73	1557.71
TENSIONER	91782040			RK-I-BB-1	260 mm		KOM-770-552-73	2115.07
	94843040			RK-N-BB-1	260 mm		KOM-797-431-73	2325.37
THUMB	91588540			PK-N-N-10		300 mm	KOM-792-062-73	1445.31
Excavators - Compact								
APPLICATION	CYL #	SERIAL #	Misc	CODE	ROD	BORE	KIT #	List \$
MODEL PC27MR-3								
ARM	707-00-0F461	20509-	2180 mm Boom, Breaker	P-U-14	40 mm	65 mm	KOM-707-98-14910	64.06
	707-00-0F461	20509-	2180 mm Boom, Breaker	Bushing	40 mm		KOM-707-52-15130	11.24
ARM (Cab)	707-00-0F461	20002-20508		P-U-14	40 mm	65 mm	KOM-707-98-14910	64.06
	707-00-0F461	20002-20508		Bushing	40 mm		KOM-707-52-15130	11.24
ARM (Canopy)	707-00-0F461	20002-20508		P-U-14	40 mm	65 mm	KOM-707-98-14910	64.06
	707-00-0F461	20002-20508		Bushing	40 mm		KOM-707-52-15130	11.24
BLADE LIFT	707-00-0E551	20509-		P-U-14	45 mm	85 mm	KOM-707-98-24930	104.86
	707-00-0E551	20509-		Bushing	45 mm		KOM-707-52-15210	15.43
BLADE LIFT (Cab)	707-00-0E551	20002-20508		P-U-14	45 mm	85 mm	KOM-707-98-24930	104.86
	707-00-0E551	20002-20508		Bushing	45 mm		KOM-707-52-15210	15.43
BLADE LIFT (Canopy)	707-00-0E551	20002-20508		P-U-14	45 mm	85 mm	KOM-707-98-24930	104.86
	707-00-0E551	20002-20508		Bushing	45 mm		KOM-707-52-15210	15.43

LT - Large size tire L/S - Loading Shovel SLF - Super Long Front B/H - Backhoe HD - Heavy Duty L BUCKET - Large Bucket
 K-LINK - K-type Linkage Blade LB HI-LIFT - High Lift Arm w Large Bucket HI-LIFT - High Lift Arm S HI-LIFT - Super High Lift Arm
 SU - Semi-U Dozer PAT - Power Angle Power Tilt MP - Mult-Purpose

KOMATSU

Replacement Kits For

KOMATSU

Excavators - Compact								
APPLICATION	CYL #	SERIAL #	Misc	CODE	ROD	BORE	KIT #	List \$
MODEL PC27MR-3								
BOOM	707-00-0H551	20509-		P-U-14	45 mm	75 mm	KOM-707-98-23890	84.01
BOOM (Cab)	707-00-0H551	20002-20508		P-U-14	45 mm	75 mm	KOM-707-98-23890	84.01
BOOM (Canopy)	707-00-0H551	20002-20508		P-U-14	45 mm	75 mm	KOM-707-98-23890	84.01
BOOM SWING	707-00-0H571	20509-		P-U-14	40 mm	75 mm	KOM-707-98-22890	83.27
	707-00-0H571	20509-		Bushing	40 mm		KOM-707-52-10411	13.16
BOOM SWING (Cab)	707-00-0H571	20002-20508		P-U-14	40 mm	75 mm	KOM-707-98-22890	83.27
	707-00-0H571	20002-20508		Bushing	40 mm		KOM-707-52-10411	13.16
BOOM SWING (Canopy)	707-00-0H571	20002-20508		P-U-14	40 mm	75 mm	KOM-707-98-22890	83.27
	707-00-0H571	20002-20508		Bushing	40 mm		KOM-707-52-10411	13.16
BUCKET	707-00-0H561	20509-	1370 mm Arm	P-U-14	35 mm	55 mm	KOM-707-98-13990	123.54
	707-00-0H561	20509-	1370 mm Arm	Bushing	35 mm		KOM-707-52-15110	9.90
BUCKET (Cab)	707-00-0H561	20002-20508		P-U-14	35 mm	55 mm	KOM-707-98-13990	123.54
	707-00-0H561	20002-20508		Bushing	35 mm		KOM-707-52-15110	9.90
BUCKET (Canopy)	707-00-0H561	20002-20508		P-U-14	35 mm	55 mm	KOM-707-98-13990	123.54
	707-00-0H561	20002-20508		Bushing	35 mm		KOM-707-52-15110	9.90
MODEL PC28UU-2								
ARM	21U-63-02122	7001-10800		P-U-14	40 mm	80 mm	KOM-707-98-22150	85.29
	21U-63-02122	7001-10800		Bushing	40 mm		KOM-07177-04025	11.24
BLADE	21U-63-02151	7001-10800		P-U-14	40 mm	80 mm	KOM-707-98-22020	76.90
	21U-63-02151	7001-10800		Bushing	40 mm		KOM-07177-04025	11.24
	21U-63-02152	10801-		P-U-14	40 mm	80 mm	KOM-707-98-22020	76.90
	21U-63-02152	10801-		Bushing	40 mm		KOM-07177-04025	11.24
BLADE TILT	20P-63-02121	7001-10800		P-U-14	40 mm	80 mm	KOM-707-98-23100	67.17
	20P-63-02121	7001-10800		Bushing	40 mm		KOM-07177-04025	11.24
BOOM	21U-63-02111	10801-	Head 707-29-80070	P-U-14	45 mm	80 mm	KOM-707-98-24170	86.64
	21U-63-02111	7001-10800	Head 707-29-80231	P-U-14	45 mm	80 mm	KOM-707-98-24170	86.64
	21U-63-02111	7001-10800	Head 707-29-80231	Bushing	45 mm		KOM-07177-04530	15.43
BUCKET	21S-63-02131	7001-10800	Double Arm	P-U-10	25 mm	50 mm	KOM-21S-63-02131K	141.88
	21S-63-02131	7001-10800	Double Arm	Bushing	25 mm		KOM-07177-02525	6.57
	21U-63-02131	7001-10800		P-U-14	35 mm	65 mm	KOM-707-98-12211	185.82
	21U-63-02131	7001-10800		Bushing	35 mm		KOM-07177-03525	9.90
OFFSET	21U-63-02141	7001-10800		P-U-14	35 mm	70 mm	KOM-707-98-12410	89.78
	21U-63-02141	7001-10800		Bushing	35 mm		KOM-07177-03525	9.90
SLIDE ARM	21U-63-02161	7001-10800		P-U-14	30 mm	50 mm	KOM-707-98-04610	43.03
	21U-63-02161	7001-10800		Bushing	30 mm		KOM-07177-03025	8.93
MODEL PC28UU-3								
ARM	21U-63-02422	30001-		P-U-14	40 mm	75 mm	KOM-707-98-22820	66.72
	21U-63-02422	30001-		Bushing	40 mm		KOM-707-52-10410	13.16
BLADE	21U-63-02451	30001-		P-U-14	40 mm	80 mm	KOM-707-98-22180	82.60
BOOM	21U-63-02413	30001-		P-U-14	45 mm	75 mm	KOM-707-98-24820	88.45
BUCKET	21U-63-02480	30001-		P-U-14	40 mm	70 mm	KOM-707-98-14610	89.78
	21U-63-02480	30001-		Bushing	40 mm		KOM-07177-04025	11.24
	21U-63-02530	30001-		P-U-14	35 mm	65 mm	KOM-707-98-13850	50.14
OFFSET	21U-63-02442	30001-		P-U-14	35 mm	65 mm	KOM-707-98-13850	50.14
MODEL PC35MR-3								
ARM	707-00-0H501	15001-16594		P-U-14	45 mm	75 mm	KOM-707-98-23870	91.30
	707-00-0H501	15001-16594		Bushing	45 mm		KOM-707-52-15210	15.43
	707-00-0H501	16595-	2540 mm Boom	P-U-14	45 mm	75 mm	KOM-707-98-23870	91.30
	707-00-0H501	16595-	2540 mm Boom	Bushing	45 mm		KOM-707-52-15210	15.43

LT - Large size tire L/S - Loading Shovel SLF - Super Long Front B/H - Backhoe HD - Heavy Duty L BUCKET - Large Bucket
 K-LINK - K-type Linkage Blade LB HI-LIFT - High Lift Arm w Large Bucket HI-LIFT - High Lift Arm S HI-LIFT - Super High Lift Arm
 SU - Semi-U Dozer PAT - Power Angle Power Tilt MP - Mult-Purpose

FORMERLY LISTED REPAIR PARTS ARE AVAILABLE ONLINE AT WWW.HERCULESCA.CA
 OR BY CONTACTING YOUR REGIONAL HERCULES SALES TEAM.

Replacement Kits For

KOMATSU

Excavators - Compact								
APPLICATION	CYL #	SERIAL #	Misc	CODE	ROD	BORE	KIT #	List \$
MODEL PC35MR-3								
ARM (Cab)	707-00-0H501	15001-16594		P-U-14	45 mm	75 mm	KOM-707-98-23870	91.30
	707-00-0H501	15001-16594		Bushing	45 mm		KOM-707-52-15210	15.43
ARM (Canopy)	707-00-0G340	15001-16594	PA Blade	P-U-14	35 mm	60 mm	KOM-707-98-13220	65.69
	707-00-0G340	15001-16594	PA Blade	Bushing	35 mm		KOM-707-52-15110	9.90
BLADE	707-00-0E591	16595-18585		P-U-14	45 mm	95 mm	KOM-707-98-24770	79.30
	707-00-0E591	16595-18585		Bushing	45 mm		KOM-707-52-15210	15.43
	707-00-0E592	18686-		P-U-14	45 mm	95 mm	KOM-707-98-30550	91.43
	707-00-0E592	18686-		Bushing	45 mm		KOM-707-52-15210	15.43
BLADE ANGLE	707-00-0G340	16595-	Power Angle Dozer	P-U-14	35 mm	60 mm	KOM-707-98-13220	65.69
	707-00-0G340	16595-		Bushing	35 mm		KOM-707-52-15110	9.90
BLADE ANGLE (Cab)	707-00-0G340	15001-16594	PA Blade	P-U-14	35 mm	60 mm	KOM-707-98-13220	65.69
	707-00-0G340	15001-16594	PA Blade	Bushing	35 mm		KOM-707-52-15110	9.90
BLADE ANGLE (Canopy)	707-00-0F370	15001-16594	PAT Blade	P-U-14	45 mm	95 mm	KOM-707-98-24770	79.30
	707-00-0F370	15001-16594	PAT Blade	Bushing	45 mm		KOM-707-52-15210	15.43
BLADE LIFT	707-00-0F370	16595-	PAT Dozer	P-U-14	45 mm	95 mm	KOM-707-98-24770	79.30
	707-00-0F370	16595-	PAT Dozer	Bushing	45 mm		KOM-707-52-15210	15.43
BLADE LIFT (Cab)	707-00-0E591	15001-16594		P-U-14	45 mm	95 mm	KOM-707-98-24770	79.30
	707-00-0E591	15001-16594		Bushing	45 mm		KOM-707-52-15210	15.43
	707-00-0F370	15001-16594	PAT Blade	P-U-14	45 mm	95 mm	KOM-707-98-24770	79.30
	707-00-0F370	15001-16594	PAT Blade	Bushing	45 mm		KOM-707-52-15210	15.43
BLADE LIFT (Canopy)	707-00-0E591	15001-16594		P-U-14	45 mm	95 mm	KOM-707-98-24770	79.30
	707-00-0E591	15001-16594		Bushing	45 mm		KOM-707-52-15210	15.43
BOOM	707-00-0H511	16595-18686	Swing	P-U-14	50 mm	95 mm	KOM-707-98-29670	96.07
	707-00-0H511	16595-18686	Swing	Bushing	50 mm		KOM-707-52-15230	18.73
	707-00-0H512	18687-	Swing	P-U-14	50 mm	95 mm	KOM-707-98-29720	108.36
	707-00-0H512	18687-	Swing	Bushing	50 mm		KOM-707-52-15230	18.73
	707-00-0H541	16595-18400	2540 mm Boom	P-U-14	45 mm	80 mm	KOM-707-98-24330	96.73
	707-00-0H541	18401-18686	2540 mm Boom	P-U-14	45 mm	80 mm	KOM-707-98-24330	96.73
	707-00-0H542	18687-	2540 mm Boom	P-U-14	45 mm	80 mm	KOM-707-98-26070	97.35
BOOM (Cab)	707-00-0H541	15001-16594		P-U-14	45 mm	80 mm	KOM-707-98-24330	96.73
BOOM (Canopy)	707-00-0H541	15001-16594		P-U-14	45 mm	80 mm	KOM-707-98-24330	96.73
BOOM SWING (Cab)	707-00-0H511	15001-16594		P-U-14	50 mm	95 mm	KOM-707-98-29670	96.07
	707-00-0H511	15001-16594		Bushing	50 mm		KOM-707-52-15230	18.73
BOOM SWING (Canopy)	707-00-0H511	15001-16594		P-U-14	50 mm	95 mm	KOM-707-98-29670	96.07
	707-00-0H511	15001-16594		Bushing	50 mm		KOM-707-52-15230	18.73
BUCKET	707-00-0E532	16595-	1720 mm Arm	P-U-14	40 mm	65 mm	KOM-707-98-14930	133.01
	707-00-0E532	16595-	1720 mm Arm	Bushing	40 mm		KOM-707-52-15130	11.24
	707-00-0E532	16595-16599	1720 mm Arm	P-U-14	40 mm	65 mm	KOM-707-98-14930	133.01
	707-00-0E532	16595-16599	1720 mm Arm	Bushing	40 mm		KOM-707-52-15130	11.24
	707-00-0E532	16600-18639	1720 mm Arm	P-U-14	40 mm	65 mm	KOM-707-98-14930	133.01
	707-00-0E532	16600-18639	1720 mm Arm	Bushing	40 mm		KOM-707-52-15130	11.24
	707-00-0E533	18640-	1720 mm Arm	P-U-14	40 mm	65 mm	KOM-707-98-14350	104.11
	707-00-0E533	18640-	1720 mm Arm	Bushing	40 mm		KOM-707-52-15130	11.24
BUCKET (Cab)	707-00-0E532	15001-16594		P-U-14	40 mm	65 mm	KOM-707-98-14930	133.01
	707-00-0E532	15001-16594		Bushing	40 mm		KOM-707-52-15130	11.24

LT - Large size tire L/S - Loading Shovel SLF - Super Long Front B/H - Backhoe HD - Heavy Duty L BUCKET - Large Bucket
 K-LINK - K-type Linkage Blade LB HI-LIFT - High Lift Arm w Large Bucket HI-LIFT - High Lift Arm S HI-LIFT - Super High Lift Arm
 SU - Semi-U Dozer PAT - Power Angle Power Tilt MP - Mulit-Purpose

KOMATSU

Replacement Kits For

Excavators - Compact								
APPLICATION	CYL #	SERIAL #	Misc	CODE	ROD	BORE	KIT #	List \$
MODEL PC35MR-3								
BUCKET (Canopy)	707-00-0E532	15001-16594		P-U-14	40 mm	65 mm	KOM-707-98-14930	133.01
	707-00-0E532	15001-16594		Bushing	40 mm		KOM-707-52-15130	11.24
MODEL PC35MR-5								
ANGLE BLADE	707-00-0G340	30001-		P-U-14	35 mm	60 mm	KOM-707-98-13220	65.69
	707-00-0G340	30001-		Bushing	35 mm		KOM-707-52-15110	9.90
ARM	707-G0-02270	30001-		P-U-14	45 mm	75 mm	KOM-707-98-23870	91.30
	707-G0-02270	30001-		Bushing	45 mm		KOM-707-52-15210	15.43
BLADE	707-00-0J772	30001-		P-U-14	45 mm	95 mm	KOM-707-98-30550	91.43
	707-00-0J772	30001-		Bushing	45 mm		KOM-707-52-15210	15.43
BOOM	707-G0-02410	30001-		P-U-14	45 mm	80 mm	KOM-707-98-26070	97.35
BOOM (Swing)	707-00-0H513	30001-		P-U-14	50 mm	95 mm	KOM-707-98-29720	108.36
	707-00-0H513	30001-		Bushing	50 mm		KOM-707-52-15230	18.73
BUCKET	707-00-0E534	30001-30158; 30248-30158		P-U-14	40 mm	65 mm	KOM-707-98-14350	104.11
	707-00-0E534	30001-30158; 30248-30158		Bushing	40 mm		KOM-707-52-15130	11.24
	707-00-0J811; 707-00-0J812	30001-; 30001- 30004; 30005-; 30159-; 30248-		P-U-14	35 mm	70 mm	KOM-707-98-13610	36.19
	707-00-0J811; 707-00-0J812	30001-; 30001- 30004; 30005-; 30159-; 30248-		Bushing	40 mm		KOM-707-52-15130	11.24
MODEL PC45MR-5								
ANGLE	707-00-0G490	30001-		P-U-14	40 mm	70 mm	KOM-707-98-14770	61.52
	707-00-0G490	30001-		Bushing	40 mm		KOM-707-52-15130	11.24
ANGLE BLADE (w/Power Angle Dozer)	707-00-0H901	30001-		P-U-14	55 mm	115 mm	KOM-707-98-34750	174.82
	707-00-0H901	30001-		Bushing	55 mm		KOM-707-52-15310	22.11
ARM	707-G0-02121	30001-		P-U-14	50 mm	90 mm	KOM-721-98-01280	201.12
	707-G0-02121	30001-		Bushing	50 mm		KOM-707-52-15230	18.73
BLADE	707-00-0J781	30001-		P-U-14	50 mm	110 mm	KOM-707-98-32570	117.83
	707-00-0J781	30001-		Bushing	50 mm		KOM-707-52-15230	18.73
BOOM	707-G0-01410	30001-		P-U-14	50 mm	90 mm	KOM-721-98-01280	201.12
	707-G0-01810; 707-G0-01811; 707-G0-01812	30001-30230; 30231-30403; 30404-		P-U-14	55 mm	90 mm	KOM-721-98-01560	219.75
	707-G0-01810; 707-G0-01811; 707-G0-01812	30001-30230; 30231-30403; 30404-		Bushing	55 mm		KOM-707-52-15310	22.11
BOOM (Swing)	707-00-0H662	30001-		P-U-14	50 mm	90 mm	KOM-707-98-25780	89.45
	707-00-0H662	30001-		Bushing	50 mm		KOM-707-52-15230	18.73
BUCKET	707-00-0J791; 707-00-0H711	30001-30020; 30021-		P-U-14	45 mm	70 mm	KOM-707-98-15780	53.57
	707-00-0J791; 707-00-0H711	30001-30020; 30021-		Bushing	45 mm		KOM-707-52-15210	15.43
MODEL PC55MR-3								
ANGLE	707-00-0G490	15001-		P-U-14	40 mm	70 mm	KOM-707-98-14770	61.52
	707-00-0G490	15001-		Bushing	40 mm		KOM-07177-04025	11.24
ARM	707-00-0H810	15001-15400; 15401-16000; F30003-		P-U-14	55 mm	85 mm	KOM-707-98-26820	105.28
	707-00-0H810	15001-15400; 15401-16000; F30003-		Bushing	55 mm		KOM-07177-05530	22.11
	707-00-0H810	16001-19543		P-U-14	55 mm	85 mm	KOM-707-98-26820	105.28
	707-00-0H810	16001-19543		Bushing	55 mm		KOM-707-52-15310	22.11
	707-00-0H811	19544-; F30003-		P-U-14	55 mm	85 mm	KOM-707-98-26820	105.28
	707-00-0H811	19544-; F30003-		Bushing	55 mm		KOM-707-52-15310	22.11

LT - Large size tire L/S - Loading Shovel SLF - Super Long Front B/H - Backhoe HD - Heavy Duty L BUCKET - Large Bucket
 K-LINK - K-type Linkage Blade LB HI-LIFT - High Lift Arm w Large Bucket HI-LIFT - High Lift Arm S HI-LIFT - Super High Lift Arm
 SU - Semi-U Dozer PAT - Power Angle Power Tilt MP - Mult-Purpose

FORMERLY LISTED REPAIR PARTS ARE AVAILABLE ONLINE AT WWW.HERCULESCA.CA
 OR BY CONTACTING YOUR REGIONAL HERCULES SALES TEAM.

Replacement Kits For

KOMATSU

Excavators - Compact								
APPLICATION	CYL #	SERIAL #	Misc	CODE	ROD	BORE	KIT #	List \$
MODEL PC55MR-3								
BLADE LIFT	707-00-0H722	15001-		P-U-14	50 mm	110 mm	KOM-707-98-32570	117.83
	707-00-0H722	15001-		Bushing	50 mm		KOM-707-52-15230	18.73
	707-00-0H901	15001-		P-U-14	55 mm	115 mm	KOM-707-98-34750	174.82
	707-00-0H901	15001-		Bushing	55 mm		KOM-707-52-15310	22.11
	707-00-0J780	F30003-		P-U-14	50 mm	110 mm	KOM-707-98-32570	117.83
	707-00-0J780	F30003-		Bushing	50 mm		KOM-707-52-15230	18.73
	707-00-XJ801	F30003-		P-U-14	50mm	75mm	KOM-707-98-26310	82.36
BOOM	707-00-0H691	15001-19481; F30003-		P-U-14	50 mm	90 mm	KOM-707-98-25750	110.11
	707-00-0H692	19482-		P-U-14	50 mm	90 mm	KOM-707-98-25750	110.11
BOOM SWING	707-00-0H830	F30003-		P-U-14	50mm	95mm	KOM-707-98-29680	109.44
	707-00-0H830	F30003-		Bushing	50 mm		KOM-07177-05030	18.73
	707-00-0H831	15001-; F30003-		P-U-14	50mm	95mm	KOM-707-98-29680	109.44
	707-00-0H831	15001-; F30003-		Bushing	50 mm		KOM-707-52-15230	18.73
BUCKET	707-00-0H820	15001-16000		P-U-14	50 mm	75 mm	KOM-707-98-26200	103.10
	707-00-0H820	15001-16000		Bushing	50 mm		KOM-07177-05030	18.73
	707-00-0H820	16001-16509		P-U-14	50 mm	75 mm	KOM-707-98-26200	103.10
	707-00-0H820	16001-16509		Bushing	50 mm		KOM-707-52-15230	18.73
	707-00-0H821	16510-		P-U-14	50 mm	75 mm	KOM-707-98-26200	103.10
	707-00-0H821	16510-		Bushing	50 mm		KOM-707-52-15230	18.73
	707-00-0J800	F30003-		Bushing	50 mm		KOM-707-52-15230	18.73
	707-00-0J801	F30003-		P-U-14	50mm	75mm	KOM-707-98-26310	82.36
	707-00-0J801	F30003-		Bushing	50 mm		KOM-707-52-15230	18.73
TRACK ADJUSTER	22M-30-32100	15001-; F30003-		Track Adj			KOM-SK100194	119.89
MODEL PC55MR-5								
ANGLE	707-00-0G490	20001-		P-U-14	40 mm	70 mm	KOM-707-98-14770	61.52
	707-00-0G490	20001-		Bushing	40 mm		KOM-707-52-15130	11.24
ARM	707-00-0H810	20001-20481		P-U-14	55 mm	85 mm	KOM-707-98-26820	105.28
	707-00-0H810	20001-20481		Bushing	55 mm		KOM-707-52-15310	22.11
	707-00-0H811	20482-; 9101-; F40001-; F60003-		P-U-14	55 mm	85 mm	KOM-707-98-26820	105.28
	707-00-0H811	20482-; 9101-; F40001-; F60003-		Bushing	55 mm		KOM-707-52-15310	22.11
BLADE	707-00-0J780	F40001-; F60003-		P-U-14	50 mm	110 mm	KOM-707-98-32570	117.83
	707-00-0J780	F40001-; F60003-		Bushing	50 mm		KOM-707-52-15230	18.73
	707-00-0J781	20001-; 9101-		P-U-14	50 mm	110 mm	KOM-707-98-32570	117.83
	707-00-0J781	20001-; 9101-		Bushing	50 mm		KOM-707-52-15230	18.73
BOOM	707-G0-01410	20001-		P-U-14	50 mm	90 mm	KOM-721-98-01280	201.12
	707-G0-01810	20001-		P-U-14	55 mm	90 mm	KOM-721-98-01560	219.75
	707-G0-01811	20197-20373		P-U-14	55 mm	90 mm	KOM-721-98-01560	219.75
	707-G0-01811	20197-20373		Bushing	55 mm		KOM-707-52-15310	22.11
	707-G0-01812	20374-; 9101-; F40001-; F60003-		P-U-14	55 mm	90 mm	KOM-721-98-01560	219.75
	707-G0-01812	20374-; 9101-; F40001-; F60003-		Bushing	55 mm		KOM-707-52-15310	22.11
BOOM SWING	707-00-0H831	20001-; 9101-; F40001-; F60003-		P-U-14	50mm	95mm	KOM-707-98-29680	109.44
	707-00-0H831	20001-; 9101-; F40001-; F60003-		Bushing	50 mm		KOM-707-52-15230	18.73
BUCKET	707-00-0J801	20001-; 9101-; F40001-; F60003-		P-U-14	50mm	75mm	KOM-707-98-26310	82.36
	707-00-0J801	20001-; 9101-; F40001-; F60003-		Bushing	50 mm		KOM-707-52-15230	18.73
TRACK ADJUSTER	22M-30-32100	20001-; 9101-; F40001-; F60003-	w/ valve	Track Adj			KOM-SK100194	119.89

LT - Large size tire L/S - Loading Shovel SLF - Super Long Front B/H - Backhoe HD - Heavy Duty L BUCKET - Large Bucket
 K-LINK - K-type Linkage Blade LB HI-LIFT - High Lift Arm w Large Bucket HI-LIFT - High Lift Arm S HI-LIFT - Super High Lift Arm
 SU - Semi-U Dozer PAT - Power Angle Power Tilt MP - Mult-Purpose

KOMATSU

Replacement Kits For

Excavators - Compact								
APPLICATION	CYL #	SERIAL #	Misc	CODE	ROD	BORE	KIT #	List \$
MODEL PC55MR-5								
TRACK ADJUSTER	22M-30-32100	20001-; 9101-; F40001-; F60003-		P-OB-1	40 mm		KOM-1909041	9.46
	22M-30-32500	20001-; 9101-; F40001-; F60003-	w/ valve	Track Adj			KOM-SK100194	119.89
	22M-30-32500	20001-; 9101-; F40001-; F60003-		P-OB-1	40 mm		KOM-1909041	9.46
MODEL PC78US-8								
BLADE	707-00-0H752	15752-		P-U-14	65 mm	115 mm	KOM-707-98-36700	123.84
	707-00-0H752	15752-		Bushing	55 mm		KOM-707-52-15310	22.11
BLADE ANGLE	707-00-0H950	15001-		P-U-14	65 mm	130 mm	KOM-707-98-42700	126.24
	707-00-0H950	15001-		Bushing	65 mm		KOM-707-52-10660	27.20
BOOM	707-00-0H740	15001-	Without Anti-drop valve	P-U-14	60 mm	100 mm	KOM-707-98-35310	95.01
	707-00-0H740	15001-	Without Anti-drop valve	Bushing	60 mm		KOM-07177-06030	22.48
BUCKET	707-00-0H751	15001-15751		P-U-14	65 mm	115 mm	KOM-707-98-36700	123.84
	707-00-0H751	15001-15751		Bushing	55 mm		KOM-707-52-15310	22.11
	707-00-0H930	15001-		P-U-14	65 mm	115 mm	KOM-707-98-36700	123.84
	707-00-0H930	15001-		Bushing	65 mm		KOM-707-52-10660	27.20
MODEL PC78US-10								
ARM	707-G0-01740	30001-30797		P-U-14	60 mm	100 mm	KOM-721-98-00680	138.89
	707-G0-01740	30001-30797		Bushing	60 mm		KOM-707-52-15330	22.48
	707-G0-01741	30798-		P-U-14	60 mm	100 mm	KOM-721-98-00680	138.89
	707-G0-01741	30798-		Bushing	60 mm		KOM-707-52-15330	22.48
BLADE	707-G0-01760	30001-		P-U-14	65 mm	130 mm	KOM-721-98-00700	133.28
	707-G0-01760	30001-		Bushing	65 mm		KOM-707-52-10661	27.20
BOOM	707-G0-01730	30001-		P-U-14	65 mm	115 mm	KOM-721-98-00670	252.14
	707-G0-01730	30001-		Bushing	65 mm		KOM-707-52-10661	27.20
BUCKET	707-00-0H911	30001-37126		P-U-14	55 mm	90 mm	KOM-707-98-26721	145.71
	707-00-0H911	30001-37126		Bushing	55 mm		KOM-707-52-15310	22.11
	707-00-0H912	37127-		P-U-14	55 mm	90 mm	KOM-707-98-26721	145.71
	707-00-0H912	37127-		Bushing	55 mm		KOM-707-52-15310	22.11
	707-G0-01880	30001-37204		P-U-14	55 mm	90 mm	KOM-707-98-26721	145.71
	707-G0-01880	30001-37204		Bushing	55 mm		KOM-707-52-15310	22.11
	707-G0-01881	37205-		P-U-14	55 mm	90 mm	KOM-707-98-26721	145.71
	707-G0-01881	37205-		Bushing	55 mm		KOM-707-52-15310	22.11
TRACK ADJUSTER	21W-30-00140	30001-		TRK ADJ			KOM-SK100218	115.52
	21W-30-00140	30001-	w/ valve	TRK ADJ			KOM-SK100217	183.17
	21W-30-00150	30001-		TRK ADJ			KOM-SK100218	115.52
	21W-30-00150	30001-	w/ valve	TRK ADJ			KOM-SK100217	183.17
MODEL PC88MR-10								
ANGLE	707-00-XJ640	7001-		P-U-14	45 mm	90 mm	KOM-707-98-24800	77.99
	707-00-XJ640	7001-		Bushing	45 mm		KOM-707-52-15210	15.43
ARM	707-G0-01170	7001-7617		P-U-14	60 mm	100 mm	KOM-707-98-35340	128.22
	707-G0-01170	7001-7617		Bushing	60 mm		KOM-707-52-15330	22.48
	707-G0-01171	7618-		P-U-14	60 mm	100 mm	KOM-707-98-35340	128.22
	707-G0-01171	7618-		Bushing	60 mm		KOM-707-52-15330	22.48
BLADE	707-00-0J650	7001-		P-U-14	65 mm	140 mm	KOM-707-98-51140	120.77
	707-00-0J650	7001-		Bushing	65 mm		KOM-707-52-10661	27.20
	707-G0-01190	7001-		P-U-14	65 mm	130 mm	KOM-707-98-42720	97.70
	707-G0-01190	7001-		Bushing	65 mm		KOM-707-52-10661	27.20
BOOM	707-G0-01160	7001-		P-U-14	65 mm	115 mm	KOM-707-98-36740	205.49
	707-G0-01160	7001-		Bushing	65 mm		KOM-707-52-10661	27.20
BOOM SWING	707-G0-01200	7001-		P-U-14	60 mm	120 mm	KOM-707-98-41380	204.51
	707-G0-01200	7001-		Bushing	60 mm		KOM-707-52-15330	22.48
BUCKET	707-G0-01180	7001-		P-U-14	55 mm	90 mm	KOM-707-98-30720	75.86

LT - Large size tire L/S - Loading Shovel SLF - Super Long Front B/H - Backhoe HD - Heavy Duty L BUCKET - Large Bucket
 K-LINK - K-type Linkage Blade LB HI-LIFT - High Lift Arm w Large Bucket HI-LIFT - High Lift Arm S HI-LIFT - Super High Lift Arm
 SU - Semi-U Dozer PAT - Power Angle Power Tilt MP - Mult-Purpose

FORMERLY LISTED REPAIR PARTS ARE AVAILABLE ONLINE AT WWW.HERCULESCA.CA
 OR BY CONTACTING YOUR REGIONAL HERCULES SALES TEAM.

Replacement Kits For

KOMATSU

KOMATSU

Excavators - Compact								
APPLICATION	CYL #	SERIAL #	Misc	CODE	ROD	BORE	KIT #	List \$
MODEL PC88MR-10								
BUCKET	707-G0-01180	7001-		Bushing	55 mm		KOM-707-52-15310	22.11
Excavators - Wheel								
APPLICATION	CYL #	SERIAL #	Misc	CODE	ROD	BORE	KIT #	List \$
MODEL PW05-1								
BLADE	707-00-60340	1001-		P-U-10	30 mm	60 mm	KOM-707-98-11090	129.71
BOOM	707-00-50650	1001-		P-U-10	30 mm	50 mm	KOM-707-98-04500	133.28
STEERING	707-00-60350	1001-		P-U-10	30 mm	60 mm	KOM-707-98-11090	129.71
SUSPENSION LOCK	707-00-40020	1001-		P-U-1	40 mm		KOM-707-98-06010	39.70
MODEL PW20-1								
ARM	20R-63-66300	1001-		P-U-14	40 mm	80 mm	KOM-707-98-22040	166.64
BLADE	21E-63-02010	1001-		P-U-14	45 mm	90 mm	KOM-707-98-24430	205.35
BOOM	20R-63-56500	1001-		P-U-14	40 mm	80 mm	KOM-707-98-22110	158.44
BOOM SWING	20S-63-86301	1001-		P-U-14	35 mm	70 mm	KOM-707-98-12440	110.50
BUCKET	20R-63-76301	1001-		P-U-14	35 mm	70 mm	KOM-707-98-12440	110.50
STEERING	21E-63-02020	1001-		P-U-10	35 mm	70 mm	KOM-707-98-12450	144.15
MODEL PW30-1								
ARM	20R-63-66300	1001-		P-U-14	40 mm	80 mm	KOM-707-98-22040	166.64
BLADE	21E-63-02010	1001-		P-U-14	45 mm	90 mm	KOM-707-98-24430	205.35
BOOM	20R-63-56500	1001-		P-U-14	40 mm	80 mm	KOM-707-98-22110	158.44
BOOM SWING	20S-63-86301	1001-		P-U-14	35 mm	70 mm	KOM-707-98-12440	110.50
BUCKET	20S-63-76102	1001-		P-U-14	40 mm	70 mm	KOM-707-98-14600	129.60
STEERING	21E-63-02020	1001-		P-U-10	35 mm	70 mm	KOM-707-98-12450	144.15
MODEL PW60,N-1								
BUCKET	201-63-26301	1501-		P-U-5	55 mm	90 mm	KOM-707-99-26600	251.91
OUTRIGGER	20B-63-12102	1501-		P-U-5	55 mm	90 mm	KOM-707-99-26600	251.91
STEERING	20B-63-22101	1501-		P-U-10	25 mm	50 mm	KOM-707-99-03500	122.28
MODEL PW60-3								
BLADE	20B-63-02060	2001-		P-U-14	45 mm	70 mm	KOM-707-98-15720	190.11
BOOM	201-63-02010	2001-		P-U-14	65 mm	100 mm	KOM-707-99-36260	269.40
BUCKET	201-63-02030	2001-		P-U-14	55 mm	90 mm	KOM-707-98-26520	134.73
OUTRIGGER	20B-63-02020	2001-		P-U-14	45 mm	70 mm	KOM-707-98-15700	135.59
MODEL PW100-1								
ARM	202-63-62100	1003-		P-U-14	70 mm	120 mm	KOM-707-98-43100	334.01
BLADE	20D-63-96300	1003-		P-U-14	50 mm	90 mm	KOM-707-98-25510	239.81
	20D-63-96400	1003-		P-U-14	50 mm	90 mm	KOM-707-98-25510	239.81
BOOM	202-63-52100	1003-		P-U-14	65 mm	110 mm	KOM-707-98-36510	242.75
	202-63-52200	1003-		P-U-14	65 mm	110 mm	KOM-707-98-36510	242.75
BUCKET	202-63-72100	1003-		P-U-14	65 mm	110 mm	KOM-707-98-36520	179.74
OUTRIGGER	20D-63-12700	1003-		P-U-14	65 mm	110 mm	KOM-707-98-36500	211.05
	20D-63-12800	1003-		P-U-14	65 mm	110 mm	KOM-707-98-36500	211.05
STEERING	20D-63-22301	1003-		P-U-14	30 mm	60 mm	KOM-707-99-11030	112.73
MODEL PW100-3								
OUTRIGGER	20G-63-12101	1601-		P-U-14	70 mm	110 mm	KOM-707-98-37500	246.20
	20G-63-12201	1601-		P-U-14	70 mm	110 mm	KOM-707-98-37500	246.20
MODEL PW100N-3								
ARM	202-63-62500	1601-1667		P-U-14	75 mm	110 mm	KOM-707-98-38600	266.23
	202-63-62502	1668-2300		P-U-14	75 mm	110 mm	KOM-707-98-38600	266.23
	20D-63-02030	2301-		P-U-14	75 mm	110 mm	KOM-707-98-38600	266.23
BOOM	202-63-52500	1601-2300		P-UB-14	65 mm	100 mm	KOM-707-98-36100	226.04
	202-63-52600	1601-2300		P-UB-14	65 mm	100 mm	KOM-707-98-36100	226.04
	20D-63-02010	2301-		P-UB-14	65 mm	100 mm	KOM-707-98-36100	226.04
BUCKET	202-63-72500	1601-1667		P-UB-14	65 mm	100 mm	KOM-707-98-36110	169.12
	202-63-72501	1668-2300		P-UB-14	65 mm	100 mm	KOM-707-98-36110	169.12
	20D-63-02040	2301-		P-UB-14	65 mm	100 mm	KOM-707-98-36110	169.12
OUTRIGGER	20D-63-13100	1601-		P-U-14	65 mm	110 mm	KOM-707-98-36560	210.92
	20D-63-13200	1601-		P-U-14	65 mm	110 mm	KOM-707-98-36560	210.92

LT - Large size tire L/S - Loading Shovel SLF - Super Long Front B/H - Backhoe HD - Heavy Duty L BUCKET - Large Bucket

K-LINK - K-type Linkage Blade LB HI-LIFT - High Lift Arm w Large Bucket HI-LIFT - High Lift Arm S HI-LIFT - Super High Lift Arm

SU - Semi-U Dozer PAT - Power Angle Power Tilt MP - Mult-Purpose

KOMATSU

Replacement Kits For

KOMATSU

Excavators - Wheel								
APPLICATION	CYL #	SERIAL #	Misc	CODE	ROD	BORE	KIT #	List \$
MODEL PW100N-3								
STEERING	20D-63-22502	1601-		P-U-14	35 mm	70 mm	KOM-707-98-12410	89.78
MODEL PW150-1								
ARM	20G-63-62100	1001-		P-U-14	90 mm	130 mm	KOM-707-98-47510	402.18
ARM (Lock Valve)	20G-63-62141	1001-		P-U-14	90 mm	130 mm	KOM-707-98-47510	402.18
BLADE	20G-63-92110	1001-		P-U-14	70 mm	110 mm	KOM-707-98-37500	246.20
BOOM	20G-63-52100	1001-1024		P-U-14	70 mm	110 mm	KOM-707-98-37600	111.03
	20G-63-52101	1025-1220		P-U-14	70 mm	110 mm	KOM-707-98-37600	111.03
	20G-63-52102	1221-		P-U-14	70 mm	110 mm	KOM-707-98-37600	111.03
BOOM (Lock Valve)	20G-63-52110	1001-		P-U-14	70 mm	110 mm	KOM-707-98-37600	111.03
BUCKET	20G-63-72100	1001-		P-U-14	70 mm	110 mm	KOM-707-98-37610	181.05
OUTRIGGER	20G-63-12100	1001-1283		P-U-14	70 mm	110 mm	KOM-707-98-37500	246.20
	20G-63-12101	1284-		P-U-14	70 mm	110 mm	KOM-707-98-37500	246.20
	20G-63-12200	1001-1283		P-U-14	70 mm	110 mm	KOM-707-98-37500	246.20
	20G-63-12201	1284-		P-U-14	70 mm	110 mm	KOM-707-98-37500	246.20
STEERING	20G-63-22100	1001-		P-U-10	40 mm	80 mm	KOM-707-98-22010	128.58
	20G-63-22100	1284-		P-U-10	40 mm	80 mm	KOM-707-98-22010	128.58
SUSPENSION LOCK	20G-63-32100	1001-		P-U-14	70 mm	110 mm	KOM-707-98-37500	246.20
MODEL PW210-1								
ARM	205-63-62101	10001-		P-U-14	95 mm	130 mm	KOM-707-98-48600	423.29
	205-63-69300	10035-		P-UB-14	75 mm	110 mm	KOM-707-98-38551	400.80
BOOM	205-63-52100	10001-		P-U-14	85 mm	120 mm	KOM-707-98-46200	364.62
	205-63-52200	10001-		P-U-14	85 mm	120 mm	KOM-707-98-46200	364.62
BUCKET	205-63-72100	10001-		P-U-14	75 mm	110 mm	KOM-707-98-38500	238.78
	205-63-72100	10035-		P-UB-14	75 mm	110 mm	KOM-707-98-38551	400.80
BUCKET (1.8M)	205-63-72301	10001-		P-U-14	85 mm	120 mm	KOM-707-98-46100	295.39
OUTRIGGER	20K-63-02010	10001-		P-U-14	80 mm	130 mm	KOM-707-98-45700	397.54
STEERING	20K-63-02030	10001-		P-U-14	40 mm	90 mm	KOM-707-98-22430	149.23
SUSPENSION LOCK	20G-63-32100	10001-		P-U-14	70 mm	110 mm	KOM-707-98-37500	246.20
Loaders - Skid Steer								
APPLICATION	CYL #	SERIAL #	Misc	CODE	ROD	BORE	KIT #	List \$
MODEL SK815-5								
BUCKET LH	37A-6C-11201	37BTF00003-, 37BF00006-		P-U-14	30 mm	60 mm	KOM-878010240	91.07
BUCKET RH	37A-6C-11301	37BTF00003-, 37BF00006-		P-U-14	30 mm	60 mm	KOM-878010240	91.07
LIFT	37B-6C-11101	37BTF00003-, 37BF00006-		P-U-14	35 mm	55 mm	KOM-878010241	79.31
MODEL SK815-5N								
BUCKET LH	37A-6C-11201	A30001-		P-U-14	30 mm	60 mm	KOM-878010240	91.07
BUCKET RH	37A-6C-11301	A30001-		P-U-14	30 mm	60 mm	KOM-878010240	91.07
LIFT	37B-6C-11101	A30001-		P-U-14	35 mm	55 mm	KOM-878010241	79.31
MODEL SK1020-5								
BUCKET LH	37C-6C-11200	37CTF00003-, 37CF00004-		P-U-14	35 mm	65 mm	KOM-878010284	81.88
BUCKET RH	37C-6C-11300	37CTF00003-, 37CF00004-		P-U-14	35 mm	65 mm	KOM-878010284	81.88
LIFT	37C-6C-11100	37CTF00003-, 37CF00004-		P-U-14	40 mm	65 mm	KOM-878010285	82.62
MODEL SK1020-5N								
BUCKET LH	37C-6C-11200	A70001-		P-U-14	35 mm	65 mm	KOM-878010284	81.88
BUCKET RH	37C-6C-11300	A70001-		P-U-14	35 mm	65 mm	KOM-878010284	81.88
LIFT	37C-6C-11100	A70001-		P-U-14	40 mm	65 mm	KOM-878010285	82.62
MODEL SK1020-5NA								
BUCKET LH	37C-6C-11200	A60001-		P-U-14	35 mm	65 mm	KOM-878010284	81.88
BUCKET RH	37C-6C-11300	A60001-		P-U-14	35 mm	65 mm	KOM-878010284	81.88
LIFT	37C-6C-11100	A60001-		P-U-14	40 mm	65 mm	KOM-878010285	82.62

LT - Large size tire L/S - Loading Shovel SLF - Super Long Front B/H - Backhoe HD - Heavy Duty L BUCKET - Large Bucket
 K-LINK - K-type Linkage Blade LB HI-LIFT - High Lift Arm w Large Bucket HI-LIFT - High Lift Arm S HI-LIFT - Super High Lift Arm
 SU - Semi-U Dozer PAT - Power Angle Power Tilt MP - Mult-Purpose

FORMERLY LISTED REPAIR PARTS ARE AVAILABLE ONLINE AT WWW.HERCULESCA.CA
 OR BY CONTACTING YOUR REGIONAL HERCULES SALES TEAM.

Replacement Kits For

KOMATSU

Loaders - Track Skid Steer								
APPLICATION	CYL #	SERIAL #	Misc	CODE	ROD	BORE	KIT #	List \$
MODEL CK30-1								
BUCKET LH	37C-6C-11200	A30001-; F00003-		P-U-14	35 mm	65 mm	KOM-878010284	81.88
BUCKET RH	37C-6C-11300	A30001-; F00003-		P-U-14	35 mm	65 mm	KOM-878010284	81.88
LIFT	37C-6C-11100	A30001-; F00003-		P-U-14	40 mm	65 mm	KOM-878010285	82.62
MODEL CK35-1								
BUCKET LH	37C-6C-11200	A40001-		P-U-14	35 mm	65 mm	KOM-878010284	81.88
BUCKET RH	37C-6C-11300	A40001-		P-U-14	35 mm	65 mm	KOM-878010284	81.88
LIFT	37C-6C-17200	A40001-		P-U-14	40 mm	65 mm	KOM-878010285	82.62
Loaders - Wheel								
APPLICATION	CYL #	SERIAL #	Misc	CODE	ROD	BORE	KIT #	List \$
MODEL WA40-1								
CLAM	363-63-22200	1001-		P-U-10	30 mm	60 mm	KOM-707-98-11090	129.71
GRAPPLE	362-63-97100	1001-		P-U-10	30 mm	50 mm	KOM-707-99-04410	140.20
STEERING	363-63-52100	1001-		P-U-10	35 mm	70 mm	KOM-707-98-12450	144.15
MODEL WA50-3								
DUMP	42A-63-01020	20642-		P-U-14	45 mm	75 mm	KOM-707-98-24820	88.45
MODEL WA65-3								
DUMP	42T-63-13170	HA940549-771, H20761-		P-UB-10	45 mm	80 mm	KOM-42T-63-H0P01	153.07
LIFT	42T-63-12110	HA940549-771, H20761-		P-UB-14	50 mm	95 mm	KOM-42T-63-H0P18	170.85
STEERING	42U-63-11110	HA940549-771, H20761-		P-U-10	35 mm	70 mm	KOM-42U-63-H0P12	69.17
MODEL WA65-5								
DUMP	42T-63-23100	H50051-		P-U-10	50 mm	85 mm	KOM-42U-63-H0P43	249.73
	42T-63-23110	H50051-		P-U-10	50 mm	85 mm	KOM-42T-63-H0P70	162.08
LIFT	42T-63-22100	H50051-		P-U-10	50 mm	95 mm	KOM-42U-63-H0P56	128.10
	42T-63-22120	H50051-		P-U-10	50 mm	95 mm	KOM-42T-63-H0P61	186.14
STEERING	42T-63-21010	H50051-		P-U-10	35 mm	70 mm	KOM-42U-63-H0P67	72.87
	42T-63-21020	H50051-		P-U-10	35 mm	70 mm	KOM-42T-63-H0P52	145.00
MODEL WA70-1								
DUMP	707-00-01200	12001-		P-U-14	40 mm	80 mm	KOM-707-99-22100	224.73
	707-00-80041	10001-11999		P-U-14	40 mm	80 mm	KOM-707-99-22100	224.73
DUMP (HI-LIFT)	707-00-80540	10001-11999		P-U-14	40 mm	80 mm	KOM-707-99-22100	224.73
LIFT	707-00-01000	1200-		P-U-14	45 mm	80 mm	KOM-707-99-24100	185.64
	707-00-80033	10001-11999		P-U-14	45 mm	80 mm	KOM-707-99-24100	185.64
LIFT (HI-LIFT)	707-00-80530	10001-11999		P-U-14	45 mm	80 mm	KOM-707-99-24100	185.64
MODEL WA120-1								
DUMP	707-00-12140	10001-		P-U-14	60 mm	120 mm	KOM-707-99-41100	222.18
LIFT	707-00-11320	10001-		P-U-14	70 mm	110 mm	KOM-707-99-37500	166.89
	707-00-11330	10001-		P-U-14	70 mm	110 mm	KOM-707-99-37500	166.89
STEERING	707-00-60012	10001-		P-U-14	40 mm	60 mm	KOM-707-99-14200	130.13
	707-00-60022	10001-		P-U-14	40 mm	60 mm	KOM-707-99-14200	130.13
MODEL WA120-3								
DUMP	707-00-03211	50001-		P-U-14	50 mm	100 mm	KOM-707-99-32110	148.19
STEERING	707-00-60012	50001-		P-U-14	40 mm	60 mm	KOM-707-99-14200	130.13
	707-00-60022	50001-		P-U-14	40 mm	60 mm	KOM-707-99-14200	130.13
MODEL WA180-1								
CLAM	707-00-90010	10001-		P-U-14	50 mm	90 mm	KOM-707-99-25520	216.85
DUMP	707-01-13190	10001-		P-U-14	70 mm	130 mm	KOM-707-99-43500	274.60
	707-01-13510	10001-		P-U-14	70 mm	130 mm	KOM-707-99-43500	274.60
LIFT	707-00-12080	10001-10088		P-U-14	70 mm	120 mm	KOM-707-99-43100	268.75
	707-00-12081	10089-		P-U-14	70 mm	120 mm	KOM-707-99-43100	268.75
STEERING	707-00-70410	10001-		P-U-14	45 mm	70 mm	KOM-707-99-15600	189.55
	707-00-70420	10001-		P-U-14	45 mm	70 mm	KOM-707-99-15600	189.55
MODEL WA180-3								
DUMP	707-00-03231	53001-		P-U-14	60 mm	120 mm	KOM-707-99-41130	84.50

LT - Large size tire L/S - Loading Shovel SLF - Super Long Front B/H - Backhoe HD - Heavy Duty L BUCKET - Large Bucket
 K-LINK - K-type Linkage Blade LB HI-LIFT - High Lift Arm w Large Bucket HI-LIFT - High Lift Arm S HI-LIFT - Super High Lift Arm
 SU - Semi-U Dozer PAT - Power Angle Power Tilt MP - Mult-Purpose

KOMATSU

Replacement Kits For

KOMATSU

Loaders - Wheel								
APPLICATION	CYL #	SERIAL #	Misc	CODE	ROD	BORE	KIT #	List \$
MODEL WA180-3								
DUMP	707-00-03231	53001-		Bushing	60 mm		KOM-07177-06030	22.48
	707-01-02310	50001-		P-U-14	70 mm	130 mm	KOM-707-99-43520	396.57
LIFT	707-00-03030	50001-		P-U-14	70 mm	110 mm	KOM-707-99-37510	221.03
	707-00-06130	50001-		P-U-14	70 mm	110 mm	KOM-707-99-37510	221.03
STEERING	707-00-60012	50001-		P-U-14	40 mm	60 mm	KOM-707-99-14200	130.13
	707-00-60022	50001-		P-U-14	40 mm	60 mm	KOM-707-99-14200	130.13
MODEL WA200-5L								
BOOM LH	707-00-0E720	A82001-		P-U-14	65 mm	120 mm	KOM-707-98-42150	101.69
	707-00-0E720	A82001-		Bushing	65 mm		KOM-707-52-10660	27.20
BOOM RH	707-00-0E730	A82001-		P-U-14	65 mm	120 mm	KOM-707-98-42150	101.69
	707-00-0E730	A82001-		Bushing	65 mm		KOM-707-52-10660	27.20
BUCKET	707-00-0E740	A82001-		P-U-14	65 mm	130 mm	KOM-707-98-42540	141.00
	707-00-0E740	A82001-		Bushing	65 mm		KOM-707-52-10660	27.20
BUCKET (HI-LIFT)	707-00-0F220	A82001-		P-U-14	65 mm	130 mm	KOM-707-98-42540	141.00
	707-00-0F220	A82001-		Bushing	65 mm		KOM-707-52-10660	27.20
STEERING	707-00-0C190	A82001-		P-U-14	40 mm	70 mm	KOM-707-99-14760	196.90
	707-00-0C190	A82001-		Bushing	40 mm		KOM-07177-04025	11.24
MODEL WA200-6								
BUCKET	707-00-0E740	70001-		P-U-14	65 mm	130 mm	KOM-707-98-42540	141.00
	707-00-0H880	B20001-		P-U-14	65 mm	130 mm	KOM-707-98-42540	141.00
	707-00-XZ750	70001-		P-U-14	65 mm	130 mm	KOM-707-98-42540	141.00
BUCKET HI-LIFT	707-00-0F220	70001-		P-U-14	65 mm	130 mm	KOM-707-98-42540	141.00
	707-00-XY030	70001-		P-U-14	65 mm	130 mm	KOM-707-98-42540	141.00
LIFT LH	707-00-0E721	70001-		P-U-14	65 mm	120 mm	KOM-707-98-42150	101.69
	707-00-XE721	70001-		P-U-14	65 mm	120 mm	KOM-707-98-42150	101.69
	707-00-XE721	B20001-		P-U-14	65 mm	120 mm	KOM-707-98-42150	101.69
LIFT RH	707-00-XZ731	70001-		P-U-14	65 mm	120 mm	KOM-707-98-42150	101.69
	707-00-0E731	70001-		P-U-14	65 mm	120 mm	KOM-707-98-42150	101.69
	707-00-0E731	B20001-		P-U-14	65 mm	120 mm	KOM-707-98-42150	101.69
STEERING LH	707-00-XE731	70001-		P-U-14	65 mm	120 mm	KOM-707-98-42150	101.69
	707-00-XZ741	70001-		P-U-14	65 mm	120 mm	KOM-707-98-42150	101.69
	707-00-0C190	B20001-		P-UB-14	40 mm	70 mm	KOM-707-99-14460	162.73
	707-00-0E731	B20001-		P-UB-14	40 mm	70 mm	KOM-707-99-14460	162.73
STEERING RH	707-00-0H170	70001-		P-UB-14	40 mm	70 mm	KOM-707-99-14460	162.73
	707-00-XX900	70001-		P-UB-14	40 mm	70 mm	KOM-707-99-14460	162.73
	707-00-07H80	B20001-		P-UB-14	40 mm	70 mm	KOM-707-99-14460	162.73
STEERING LH	707-00-0C190	B20001-		P-UB-14	40 mm	70 mm	KOM-707-99-14460	162.73
	707-00-0H180	70001-		P-UB-14	40 mm	70 mm	KOM-707-99-14460	162.73
	707-00-XX910	70001-		P-UB-14	40 mm	70 mm	KOM-707-99-14460	162.73
MODEL WA200-7								
BOOM LH	707-00-0H360	80001-; H01051-		P-U-14	70 mm	125 mm	KOM-707-98-43290	90.26
	707-00-0H360	80001-; H01051-		Bushing	70 mm		KOM-707-52-10701	27.17
BOOM RH	707-00-0H370	80001-; H01051-		P-U-14	70 mm	125 mm	KOM-707-98-43290	90.26
	707-00-0H370	80001-; H01051-		Bushing	70 mm		KOM-707-52-10701	27.17
BUCKET	707-01-0AF71	80001-; H01051-		P-U-14	90 mm	150 mm	KOM-707-98-56640	329.04
	707-01-0AF71	80001-; H01051-		Bushing	90 mm		KOM-707-52-10911	53.65
QUICK COUPLER	42Y-72-H0P01	80001-; H01051-		I-U-10	20 mm	50 mm	KOM-42Y-72-H0P14	132.32
STEERING LH	707-00-0H170	80001-; H01051-		P-UB-14	40 mm	70 mm	KOM-707-99-14460	162.73
	707-00-0H170	80001-; H01051-		Bushing	40 mm		KOM-707-52-15130	11.24
STEERING RH	707-00-0H180	80001-; H01051-		P-UB-14	40 mm	70 mm	KOM-707-99-14460	162.73
	707-00-0H180	80001-; H01051-		Bushing	40 mm		KOM-707-52-15130	11.24
MODEL WA200L-5								
BOOM LH	707-00-0E720	65001-68260		P-U-14	65 mm	120 mm	KOM-707-98-42150	101.69
	707-00-0E720	65001-68260		Bushing	65 mm		KOM-707-52-10660	27.20
	707-00-0E721	68261-		P-U-14	65 mm	120 mm	KOM-707-98-42150	101.69

LT - Large size tire L/S - Loading Shovel SLF - Super Long Front B/H - Backhoe HD - Heavy Duty L BUCKET - Large Bucket
 K-LINK - K-type Linkage Blade LB HI-LIFT - High Lift Arm w Large Bucket HI-LIFT - High Lift Arm S HI-LIFT - Super High Lift Arm
 SU - Semi-U Dozer PAT - Power Angle Power Tilt MP - Multit-Purpose

FORMERLY LISTED REPAIR PARTS ARE AVAILABLE ONLINE AT WWW.HERCULESCA.CA
 OR BY CONTACTING YOUR REGIONAL HERCULES SALES TEAM.

KOMATSU

Replacement Kits For

Loaders - Wheel								
APPLICATION	CYL #	SERIAL #	Misc	CODE	ROD	BORE	KIT #	List \$
MODEL WA200L-5								
BOOM LH	707-00-0E721	68261-		Bushing	65 mm		KOM-707-52-10660	27.20
BOOM RH	707-00-0E730	65001-68260		P-U-14	65 mm	120 mm	KOM-707-98-42150	101.69
	707-00-0E730	65001-68260		Bushing	65 mm		KOM-707-52-10660	27.20
	707-00-0E731	68261-		P-U-14	65 mm	120 mm	KOM-707-98-42150	101.69
	707-00-0E731	68261-		Bushing	65 mm		KOM-707-52-10660	27.20
BUCKET	707-00-0E740	65001-		P-U-14	65 mm	130 mm	KOM-707-98-42540	141.00
	707-00-0E740	65001-		Bushing	65 mm		KOM-707-52-10660	27.20
STEERING	707-00-0C190	65001-		P-U-14	40 mm	70 mm	KOM-707-99-14760	196.90
	707-00-0C190	65001-		Bushing	40 mm		KOM-07177-04025	11.24
MODEL WA200PZ-6								
BUCKET	707-01-0AF71	70001-		P-U-14	90 mm	150 mm	KOM-707-98-56640	329.04
	707-01-XM331	70001-		P-U-14	90 mm	150 mm	KOM-707-98-56640	329.04
LIFT LH	707-00-0E721	70001-		P-U-14	70 mm	125 mm	KOM-707-98-43290	90.26
	707-00-XH360	70001-		P-U-14	70 mm	125 mm	KOM-707-98-43290	90.26
LIFT RH	707-00-XU070	70001-		P-U-14	70 mm	125 mm	KOM-707-98-43290	90.26
	707-00-0E731	70001-		P-U-14	70 mm	125 mm	KOM-707-98-43290	90.26
STEERING LH	707-00-XH370	70001-		P-U-14	70 mm	125 mm	KOM-707-98-43290	90.26
	707-00-XU080	70001-		P-U-14	70 mm	125 mm	KOM-707-98-43290	90.26
	707-00-0H170	70001-		P-UB-14	40 mm	70 mm	KOM-707-99-14460	162.73
STEERING RH	707-00-XX900	70001-		P-UB-14	40 mm	70 mm	KOM-707-99-14460	162.73
	707-00-0H180	70001-		P-UB-14	40 mm	70 mm	KOM-707-99-14460	162.73
	707-00-XX910	70001-		P-UB-14	40 mm	70 mm	KOM-707-99-14460	162.73
MODEL WA250-1								
DUMP	707-01-15030	10001-		P-U-14	75 mm	150 mm	KOM-707-99-53500	308.36
LIFT	707-01-13520	10001-		P-U-14	70 mm	130 mm	KOM-707-99-43500	274.60
STEERING	707-00-01350	10629-		P-U-14	40 mm	70 mm	KOM-707-99-14610	109.30
	707-00-70131	10001-10628		P-U-14	40 mm	70 mm	KOM-707-99-14600	182.37
MODEL WA250-3								
LIFT	707-01-03151	50001-		P-U-14	70 mm	120 mm	KOM-707-99-43110	319.69
STEERING	707-00-01350-	50001-		P-U-14	40 mm	70 mm	KOM-707-99-14600	182.37
MODEL WA250-5								
BUCKET	418-63-33111	H50051-		P-U-14	75 mm	150 mm	KOM-418-63-05000	193.65
	418-63-33111	H50051-		Bushing	75 mm		KOM-707-52-10750	37.33
BUCKET (HI-LIFT)	418-850-3410	H50051-		P-U-14	75 mm	150 mm	KOM-418-63-05000	193.65
	418-850-3410	H50051-		Bushing	75 mm		KOM-707-52-10750	37.33
LIFT	418-63-32110	H50051-		P-U-14	70 mm	130 mm	KOM-418-62-05000	109.77
	418-63-32110	H50051-		Bushing	70 mm		KOM-707-52-10700	27.17
STEERING	419-63-H1120	H50051-		P-U-14	40 mm	70 mm	KOM-419-63-H0P12	196.90
MODEL WA250-5L								
BOOM	418-63-32110	A73001-		P-U-14	70 mm	130 mm	KOM-418-62-05000	109.77
	418-63-32110	A73001-		Bushing	70 mm		KOM-707-52-10700	27.17
BUCKET	418-63-33111	A73001-		P-U-14	75 mm	150 mm	KOM-418-63-05000	193.65
	418-63-33111	A73001-		Bushing	75 mm		KOM-707-52-10750	37.33
BUCKET (HI-LIFT)	418-850-3410	A73001-		P-U-14	75 mm	150 mm	KOM-418-63-05000	193.65
	418-850-3410	A73001-		Bushing	75 mm		KOM-707-52-10750	37.33
STEERING	707-00-0C190	A73001-		P-U-14	40 mm	70 mm	KOM-707-99-14760	196.90
	707-00-0C190	A73001-		Bushing	40 mm		KOM-07177-04025	11.24
MODEL WA250-6								
BOOM LIFT	418-63-32110	75001-	Z-BAR	P-U-14	70 mm	130 mm	KOM-418-62-05000	109.77
	418-63-32110	75001-	Z-BAR	Bushing	70 mm		KOM-707-52-10700	27.17
	418-63-32110	75053-		P-U-14	70 mm	130 mm	KOM-418-62-05000	109.77
	418-63-32110	75053-		Bushing	70 mm		KOM-707-52-10700	27.17
	418-63-32110	A76001-		P-U-14	70 mm	130 mm	KOM-418-62-05000	109.77
BUCKET	418-63-32110	A76001-		Bushing	70 mm		KOM-707-52-10700	27.17
	418-63-33111	75001-		P-U-14	75 mm	150 mm	KOM-418-63-05000	193.65

LT - Large size tire L/S - Loading Shovel SLF - Super Long Front B/H - Backhoe HD - Heavy Duty L BUCKET - Large Bucket
 K-LINK - K-type Linkage Blade LB HI-LIFT - High Lift Arm w Large Bucket HI-LIFT - High Lift Arm S HI-LIFT - Super High Lift Arm
 SU - Semi-U Dozer PAT - Power Angle Power Tilt MP - Mult-Purpose

KOMATSU

Replacement Kits For

KOMATSU

Loaders - Wheel									
APPLICATION	CYL #	SERIAL #	Misc	CODE	ROD	BORE	KIT #	List \$	
MODEL WA250-6									
BUCKET	418-63-33111	75001-		Bushing	75 mm		KOM-707-52-10750	37.33	
	418-63-33111	75053-		P-U-14	70 mm	130 mm	KOM-418-62-05000	109.77	
	418-63-33111	75053-		Bushing	75 mm		KOM-707-52-10750	37.33	
	418-63-33111	A76001-		P-U-14	75 mm	150 mm	KOM-418-63-05000	193.65	
	418-63-33111	A76001-		Bushing	75 mm		KOM-707-52-10750	37.33	
	418-850-3410	75001-	High Lift	P-U-14	75 mm	150 mm	KOM-418-63-05000	193.65	
	418-850-3410	75001-	High Lift	Bushing	75 mm		KOM-707-52-10750	37.33	
	418-850-3410	75053-	High Lift	P-U-14	75 mm	150 mm	KOM-418-63-05000	193.65	
	418-850-3410	75053-	High Lift	Bushing	75 mm		KOM-707-52-10750	37.33	
	418-850-3410	A76001-	High Lift	P-U-14	75 mm	150 mm	KOM-418-63-05000	193.65	
418-850-3410	A76001-	High Lift	Bushing	75 mm		KOM-707-52-10750	37.33		
STEERING LH	707-00-0H170	75001-		P-UB-14	40 mm	70 mm	KOM-707-99-14460	162.73	
	707-00-0H170	75001-		Bushing	40 mm		KOM-07177-04025	11.24	
	707-00-0H170	75053-		P-UB-14	40 mm	70 mm	KOM-707-99-14460	162.73	
	707-00-0H170	75053-		Bushing	40 mm		KOM-707-52-15130	11.24	
	707-00-0H170	A76001-		P-UB-14	40 mm	70 mm	KOM-707-99-14460	162.73	
STEERING RH	707-00-0H170	A76001-		Bushing	40 mm		KOM-707-52-15130	11.24	
	707-00-0H180	75001-		P-UB-14	40 mm	70 mm	KOM-707-99-14460	162.73	
	707-00-0H180	75001-		Bushing	40 mm		KOM-07177-04025	11.24	
	707-00-0H180	75053-		P-UB-14	40 mm	70 mm	KOM-707-99-14460	162.73	
	707-00-0H180	75053-		Bushing	40 mm		KOM-707-52-15130	11.24	
STEERING RH	707-00-0H180	A76001-		P-UB-14	40 mm	70 mm	KOM-707-99-14460	162.73	
	707-00-0H180	A76001-		Bushing	40 mm		KOM-707-52-15130	11.24	
	MODEL WA250L-5								
	BUCKET	418-63-33111	70001-		P-U-14	75 mm	150 mm	KOM-418-63-05000	193.65
		418-63-33111	70001-		Bushing	75 mm		KOM-707-52-10750	37.33
LIFT	418-63-32110	70001-		P-U-14	70 mm	130 mm	KOM-418-62-05000	109.77	
	418-63-32110	70001-		Bushing	70 mm		KOM-707-52-10700	27.17	
STEERING	707-00-0C190	70001-		P-U-14	40 mm	70 mm	KOM-707-99-14760	196.90	
	707-00-0C190	70001-		Bushing	40 mm		KOM-07177-04025	11.24	
MODEL WA250PT-5									
BUCKET	707-01-0F750	70001-		P-U-14	90 mm	180 mm	KOM-707-99-64450	342.20	
	707-01-0F750	70001-		Bushing	90 mm		KOM-707-52-10910	53.65	
LIFT	418-63-32110	70001-		P-U-14	70 mm	130 mm	KOM-418-62-05000	109.77	
	418-63-32110	70001-		Bushing	70 mm		KOM-707-52-10700	27.17	
STEERING	707-00-0C190	70001-		P-U-14	40 mm	70 mm	KOM-707-99-14760	196.90	
	707-00-0C190	70001-		Bushing	40 mm		KOM-07177-04025	11.24	
MODEL WA250PT-5L									
BOOM	418-63-32110	A79001-		P-U-14	70 mm	130 mm	KOM-418-62-05000	109.77	
	418-63-32110	A79001-		Bushing	70 mm		KOM-707-52-10700	27.17	
BUCKET	707-01-X7830	A79001-		P-U-14	90 mm	180 mm	KOM-707-99-64450	342.20	
	707-01-X7830	A79001-		Bushing	90 mm		KOM-707-52-10910	53.65	
COUPLER	707-00-02460	A79001-		P-U-10	20 mm	35 mm	KOM-707-00-02460K	66.90	
	707-00-02460	A79001-		Bushing	20 mm		KOM-707-52-10260	4.41	
STEERING	707-00-0C190	A79001-		P-U-14	40 mm	70 mm	KOM-707-99-14760	196.90	
	707-00-0C190	A79001-		Bushing	40 mm		KOM-07177-04025	11.24	
MODEL WA250PTL-5									
BUCKET	707-01-0E460	70001-		P-U-14	90 mm	180 mm	KOM-707-99-64450	342.20	
	707-01-0E460	70001-		Bushing	90 mm		KOM-707-52-10910	53.65	
LIFT	418-63-32110	70001-		P-U-14	70 mm	130 mm	KOM-418-62-05000	109.77	
	418-63-32110	70001-		Bushing	70 mm		KOM-707-52-10700	27.17	
MULTI-COUPLER	707-00-02460	70001-		P-U-10	20 mm	35 mm	KOM-707-00-02460K	66.90	
	707-00-02460	70001-		Bushing	20 mm		KOM-707-52-10260	4.41	
STEERING	707-00-0C190	70001-		P-U-14	40 mm	70 mm	KOM-707-99-14760	196.90	
	707-00-0C190	70001-		Bushing	40 mm		KOM-07177-04025	11.24	

LT - Large size tire L/S - Loading Shovel SLF - Super Long Front B/H - Backhoe HD - Heavy Duty L BUCKET - Large Bucket
 K-LINK - K-type Linkage Blade LB HI-LIFT - High Lift Arm w Large Bucket HI-LIFT - High Lift Arm S HI-LIFT - Super High Lift Arm
 SU - Semi-U Dozer PAT - Power Angle Power Tilt MP - Multit-Purpose

FORMERLY LISTED REPAIR PARTS ARE AVAILABLE ONLINE AT WWW.HERCULESCA.CA
 OR BY CONTACTING YOUR REGIONAL HERCULES SALES TEAM.

Replacement Kits For

KOMATSU

Loaders - Wheel								
APPLICATION	CYL #	SERIAL #	Misc	CODE	ROD	BORE	KIT #	List \$
MODEL WA250PZ-6								
BOOM LIFT	418-63-32110	75750-		P-U-14	70 mm	130 mm	KOM-418-62-05000	109.77
	418-63-32110	75750-		Bushing	70 mm		KOM-707-52-10700	27.17
BUCKET	707-01-0K592	75001-75749		P-U-14	100 mm	170 mm	KOM-707-99-65840	441.74
	707-01-0K592	75001-75749		Bushing	100 mm		KOM-707-52-11010	71.72
	707-01-0K592	75750-		P-U-14	100 mm	170 mm	KOM-707-99-65840	441.74
	707-01-0K592	75750-		Bushing	100 mm		KOM-707-52-11011	71.72
MULTI-COUPLER	707-00-02460	75750-75777		P-U-10	20 mm	35 mm	KOM-707-00-02460K	66.90
	707-00-02460	75750-75777		Bushing	20 mm		KOM-707-52-10261	4.41
STEERING LH	707-00-0H170	75001-75749		P-UB-14	40 mm	70 mm	KOM-707-99-14460	162.73
	707-00-0H170	75001-75749		Bushing	40 mm		KOM-07177-04025	11.24
	707-00-0H170	75750-75846	w/o auto-greasing	P-UB-14	40 mm	70 mm	KOM-707-99-14460	162.73
	707-00-0H170	75750-75846	w/o auto-greasing	Bushing	40 mm		KOM-707-52-15130	11.24
	707-00-0H170	75750-75864	w/ auto-greasing	P-UB-14	40 mm	70 mm	KOM-707-99-14460	162.73
	707-00-0H170	75750-75864	w/ auto-greasing	Bushing	40 mm		KOM-707-52-15130	11.24
	707-00-0H170	75847-	w/o auto-greasing	P-U-14	40 mm	70 mm	KOM-707-98-13700	162.76
	707-00-0H170	75847-	w/o auto-greasing	Bushing	40 mm		KOM-707-52-15130	11.24
	707-00-0H170	75865-	w/ auto-greasing	P-U-14	40 mm	70 mm	KOM-707-98-13700	162.76
	707-00-0H170	75865-	w/ auto-greasing	Bushing	40 mm		KOM-707-52-15130	11.24
STEERING RH	707-00-0H180	75001-75749		P-UB-14	40 mm	70 mm	KOM-707-99-14460	162.73
	707-00-0H180	75001-75749		Bushing	40 mm		KOM-07177-04025	11.24
	707-00-0H180	75750-	w/ auto-greasing	P-UB-14	40 mm	70 mm	KOM-707-99-14460	162.73
	707-00-0H180	75750-	w/ auto-greasing	Bushing	40 mm		KOM-707-52-15130	11.24
	707-00-0H180	75750-75846	w/o auto-greasing	P-UB-14	40 mm	70 mm	KOM-707-99-14460	162.73
	707-00-0H180	75750-75846	w/o auto-greasing	Bushing	40 mm		KOM-707-52-15130	11.24
	707-00-0H180	75847-	w/o auto-greasing	P-UB-14	40 mm	70 mm	KOM-707-99-14460	162.73
	707-00-0H180	75847-	w/o auto-greasing	Bushing	40 mm		KOM-707-52-15130	11.24
MODEL WA270-7								
BOOM	707-E1-02370	A27001-		P-UB-14	70 mm	110 mm	KOM-707-99-37750	443.19
	707-E1-02370	A27001-		Bushing	70 mm		KOM-707-52-90471	27.78
BUCKET	707-E1-02380	80001-; A27001-		P-UB-14	100 mm	140 mm	KOM-707-99-59190	547.09
	707-E1-02380	80001-; A27001-		Bushing	100 mm		KOM-707-52-90781	50.23
	707-G1-03760	80001-		P-UB-14	100 mm	140 mm	KOM-707-99-59190	547.09
	707-G1-03760	80001-		Bushing	100 mm		KOM-707-52-90781	50.23
LIFT	707-E1-02370	80001-		P-UB-14	70 mm	110 mm	KOM-707-99-37750	443.19
	707-E1-02370	80001-		Bushing	70 mm		KOM-707-52-90471	27.78
QUICK COUPLER	707-00-02460	80001-81741; A27001-		P-U-14	20 mm	35 mm	KOM-707-99-02050	62.25
	707-00-02460	80001-81741; A27001-		Bushing	20 mm		KOM-707-52-10261	4.41
	707-G0-00631	81742-		P-U-14	20 mm	35 mm	KOM-707-99-02050	62.25
	707-G0-00631	81742-		Bushing	20 mm		KOM-707-52-10261	4.41
STEERING LH	707-E0-00910	80001-; A27001-		P-UB-14	40 mm	70 mm	KOM-707-99-14480	212.20
	707-E0-00910	80001-; A27001-		Bushing	40 mm		KOM-707-52-90151	11.24
STEERING RH	707-E0-00920	80001-; A27001-		P-UB-14	40 mm	70 mm	KOM-707-99-14480	212.20

LT - Large size tire L/S - Loading Shovel SLF - Super Long Front B/H - Backhoe HD - Heavy Duty L BUCKET - Large Bucket
 K-LINK - K-type Linkage Blade LB HI-LIFT - High Lift Arm w Large Bucket HI-LIFT - High Lift Arm S HI-LIFT - Super High Lift Arm
 SU - Semi-U Dozer PAT - Power Angle Power Tilt MP - Multit-Purpose

KOMATSU

Replacement Kits For

Loaders - Wheel								
APPLICATION	CYL #	SERIAL #	Misc	CODE	ROD	BORE	KIT #	List \$
MODEL WA270-7								
STEERING RH	707-E0-00920	80001-; A27001-		Bushing	40 mm		KOM-707-52-90151	11.24
MODEL WA270-8								
BOOM	707-E1-02370	A28001-		P-UB-14	70 mm	110 mm	KOM-707-99-37750	443.19
	707-E1-02370	A28001-		Bushing	70 mm		KOM-707-52-90471	27.78
BUCKET	707-E1-02380	83001-; A28001-		P-UB-14	100 mm	140 mm	KOM-707-99-59190	547.09
	707-E1-02380	83001-; A28001-		Bushing	100 mm		KOM-707-52-90781	50.23
	707-G1-03760	83001-; A28001-		P-UB-14	100 mm	140 mm	KOM-707-99-59190	547.09
	707-G1-03760	83001-; A28001-		Bushing	100 mm		KOM-707-52-90781	50.23
LIFT	707-E1-02370	83001-		P-UB-14	70 mm	110 mm	KOM-707-99-37750	443.19
	707-E1-02370	83001-		Bushing	70 mm		KOM-707-52-90471	27.78
QUICK COUPLER	707-00-02460	83001-83447; A28001-		P-U-14	20 mm	35 mm	KOM-707-99-02050	62.25
	707-00-02460	83001-83447; A28001-		Bushing	20 mm		KOM-707-52-10261	4.41
	707-G0-00631	83448-		P-U-14	20 mm	35 mm	KOM-707-99-02050	62.25
	707-G0-00631	83448-		Bushing	20 mm		KOM-707-52-10261	4.41
STEERING LH	707-G0-01630	83001-; A28001-		P-UB-14	40 mm	70 mm	KOM-721-98-01930	193.49
	707-G0-01630	83001-; A28001-		Bushing	40 mm		KOM-707-52-90151	11.24
STEERING RH	707-G0-01640	83001-; A28001-		P-UB-14	40 mm	70 mm	KOM-721-98-01930	193.49
	707-G0-01640	83001-; A28001-		Bushing	40 mm		KOM-707-52-90151	11.24
MODEL WA320-1								
DUMP	707-01-03710	20001-29999		P-U-14	80 mm	160 mm	KOM-707-99-62020	268.63
	707-01-16151	10001-19999		P-U-14	80 mm	160 mm	KOM-707-99-62010	282.25
LIFT		20001-29999		P-UB-14	75 mm	140 mm	KOM-707-99-53100	237.55
	707-01-03510	20001-29999		P-U-14	80 mm	140 mm	KOM-707-99-54100	241.11
	707-01-14131	10001-19999		P-U-14	80 mm	140 mm	KOM-707-99-54100	241.11
STEERING	707-00-01380	20001-29999		P-U-14	40 mm	70 mm	KOM-707-99-14610	109.30
	707-00-70131	10001-19999		P-U-14	40 mm	70 mm	KOM-707-99-14600	182.37
MODEL WA320-3								
DUMP		30001-		P-U-14	80 mm	160 mm	KOM-707-99-62020	268.63
		30001-		Bushing	80 mm		KOM-07177-08040	40.95
	707-01-02550	50001-, 53001-		P-U-14	80 mm	160 mm	KOM-707-99-62020	268.63
	707-01-03251	30001-		P-U-14	70 mm	130 mm	KOM-707-99-43520	396.57
GRAPPLE		30001-		P-U-14	50 mm	100 mm	KOM-707-99-32100	177.15
		30001-		Bushing	50 mm		KOM-07177-05030	18.73
LIFT		30001-		P-UB-14	75 mm	140 mm	KOM-707-99-53100	237.55
	707-01-03510	50001-		P-U-14	80 mm	140 mm	KOM-707-99-54100	241.11
	707-01-03510	53001-53046		P-UB-14	75 mm	140 mm	KOM-707-99-53100	237.55
	707-01-03510	53001-53046		Bushing	75 mm		KOM-707-52-10750	37.33
STEERING	707-00-01350	30001-, 53001-		P-U-14	40 mm	70 mm	KOM-707-99-14610	109.30
MODEL WA320-3L								
DUMP	707-01-03721	A30001-		P-U-14	80 mm	160 mm	KOM-707-99-62020	268.63
DUMP (HI-LIFT)	707-01-02440	A30001-		P-U-14	80 mm	160 mm	KOM-707-99-62020	268.63
LIFT	707-01-03511	A30001-		P-UB-14	75 mm	140 mm	KOM-707-99-53100	237.55
STEERING	707-00-03310	A30001-		P-UB-14	40 mm	70 mm	KOM-707-99-14750	132.96
MODEL WA320-5L								
BOOM	707-01-0F060	A32001-		P-UB-14	75 mm	140 mm	KOM-707-99-53170	333.51
DUMP	707-01-0F080	A32001-		P-UB-14	80 mm	160 mm	KOM-707-99-62120	452.90
STEERING	707-00-0Z680	A32001-		P-UB-14	40 mm	70 mm	KOM-707-99-14770	203.46
MODEL WA320-6								
BOOM LIFT	707-01-0F060	70001-70290		P-UB-14	75 mm	140 mm	KOM-707-99-53170	333.51
	707-01-0F060	70001-70290		Bushing	75 mm		KOM-707-52-90520	31.45
	707-01-0F060	70291-		P-UB-14	75 mm	140 mm	KOM-707-99-53170	333.51
	707-01-0F060	70291-		Bushing	75 mm		KOM-707-52-90521	31.45
	707-01-0F060	A34001-		P-UB-14	75 mm	140 mm	KOM-707-99-53170	333.51
	707-01-0F060	A34001-		Bushing	75 mm		KOM-707-52-90521	31.45

LT - Large size tire L/S - Loading Shovel SLF - Super Long Front B/H - Backhoe HD - Heavy Duty L BUCKET - Large Bucket
 K-LINK - K-type Linkage Blade LB HI-LIFT - High Lift Arm w Large Bucket HI-LIFT - High Lift Arm S HI-LIFT - Super High Lift Arm
 SU - Semi-U Dozer PAT - Power Angle Power Tilt MP - Mult-Purpose

FORMERLY LISTED REPAIR PARTS ARE AVAILABLE ONLINE AT WWW.HERCULESCA.CA
 OR BY CONTACTING YOUR REGIONAL HERCULES SALES TEAM.

Replacement Kits For

KOMATSU

Loaders - Wheel								
APPLICATION	CYL #	SERIAL #	Misc	CODE	ROD	BORE	KIT #	List \$
MODEL WA320-6								
BOOM LIFT	707-01-0F060	A35001-		P-UB-14	75 mm	140 mm	KOM-707-99-53170	333.51
	707-01-0F060	A35001-		Bushing	75 mm		KOM-707-52-90520	31.45
BUCKET	707-01-0F080	70001-70290		P-UB-14	80 mm	160 mm	KOM-707-99-62120	452.90
	707-01-0F080	70001-70290		Bushing	80 mm		KOM-707-52-90560	37.68
	707-01-0F080	70291-		P-UB-14	80 mm	160 mm	KOM-707-99-62120	452.90
	707-01-0F080	70291-		Bushing	80 mm		KOM-707-52-90561	37.68
	707-01-0F080	A34001-		P-UB-14	80 mm	160 mm	KOM-707-99-62120	452.90
	707-01-0F080	A34001-		Bushing	80 mm		KOM-707-52-90561	37.68
	707-01-0F080	A35001-		P-UB-14	80 mm	160 mm	KOM-707-99-62120	452.90
	707-01-0F080	A35001-		Bushing	80 mm		KOM-707-52-90560	37.68
	707-01-0F940	70001-70290	High Lift	P-UB-14	80 mm	160 mm	KOM-707-99-62120	452.90
	707-01-0F940	70001-70290	High Lift	Bushing	80 mm		KOM-707-52-90560	37.68
	707-01-0F940	70291-	High Lift	P-UB-14	80 mm	160 mm	KOM-707-99-62120	452.90
	707-01-0F940	70291-	High Lift	Bushing	80 mm		KOM-707-52-90561	37.68
	707-01-0F940	A34001-	High Lift	P-UB-14	80 mm	160 mm	KOM-707-99-62120	452.90
	707-01-0F940	A34001-	High Lift	Bushing	80 mm		KOM-707-52-90561	37.68
	707-01-0F940	A35001-	High Lift	P-UB-14	80 mm	160 mm	KOM-707-99-62120	452.90
	707-01-0F940	A35001-	High Lift	Bushing	80 mm		KOM-707-52-90560	37.68
707-01-0G220	70291-	Large Capacity	P-UB-14	90 mm	180 mm	KOM-707-99-64570	285.68	
707-01-0G220	70291-	Large Capacity	Bushing	90 mm		KOM-707-52-90681	44.23	
STEERING LH	707-00-0H470	70001-70290		P-UB-14	40 mm	70 mm	KOM-707-99-14790	218.43
	707-00-0H470	70001-70290		Bushing	40 mm		KOM-707-52-90150	11.24
	707-00-0H470	70291-		P-UB-14	40 mm	70 mm	KOM-707-99-14790	218.43
	707-00-0H470	70291-		Bushing	40 mm		KOM-707-52-90151	11.24
	707-00-0H470	A34001-		P-UB-14	40 mm	70 mm	KOM-707-99-14790	218.43
	707-00-0H470	A34001-		Bushing	40 mm		KOM-707-52-90150	11.24
	707-00-0H470	A35001-		P-UB-14	40 mm	70 mm	KOM-707-99-14790	218.43
	707-00-0H470	A35001-		Bushing	40 mm		KOM-707-52-90150	11.24
STEERING RH	707-00-0H480	70001-70290		P-UB-14	40 mm	70 mm	KOM-707-99-14790	218.43
	707-00-0H480	70001-70290		Bushing	40 mm		KOM-707-52-90150	11.24
	707-00-0H480	70291-		P-UB-14	40 mm	70 mm	KOM-707-99-14790	218.43
	707-00-0H480	70291-		Bushing	40 mm		KOM-707-52-90151	11.24
	707-00-0H480	A34001-		P-UB-14	40 mm	70 mm	KOM-707-99-14790	218.43
	707-00-0H480	A34001-		Bushing	40 mm		KOM-707-52-90150	11.24
	707-00-0H480	A35001-		P-UB-14	40 mm	70 mm	KOM-707-99-14790	218.43
	707-00-0H480	A35001-		Bushing	40 mm		KOM-707-52-90150	11.24
MODEL WA320-7								
BOOM LH	707-E1-02310	A36001-		P-UB-14	75 mm	120 mm	KOM-707-99-43040	246.55
BOOM RH	707-E1-02320	A36001-		P-UB-14	75 mm	120 mm	KOM-707-99-43040	246.55
BUCKET	707-E1-02300	80001-		P-UB-14	110 mm	150 mm	KOM-707-99-59690	621.61
	707-E1-02300	A36001-		P-UB-14	110 mm	150 mm	KOM-707-99-59690	621.61
BUCKET HI-LIFT	707-G1-02930	80001-		P-UB-14	110 mm	150 mm	KOM-707-99-59690	621.61
	707-G1-02930	A36001-		P-UB-14	110 mm	150 mm	KOM-707-99-59690	621.61
LIFT LH	707-E1-02310	80001-		P-UB-14	75 mm	120 mm	KOM-707-99-43040	246.55
LIFT RH	707-E1-02320	80001-		P-UB-14	75 mm	120 mm	KOM-707-99-43040	246.55
QUICK COUPLER	707-00-02460	80001-		P-U-14	20 mm	35 mm	KOM-707-99-02050	62.25
STEERING LH	707-E0-00780	80001-		P-UB-14	40 mm	70 mm	KOM-707-99-14480	212.20
STEERING LH, Autogreasing	707-00-0H470	80001-80607		P-UB-14	40 mm	70 mm	KOM-707-99-14790	218.43
	707-E0-00780	80608-		P-UB-14	40 mm	70 mm	KOM-707-99-14480	212.20
	724-Z0-40314	80001-80607		P-UB-14	40 mm	70 mm	KOM-707-99-14790	218.43
STEERING RH	707-E0-00790	80001-		P-UB-14	40 mm	70 mm	KOM-707-99-14480	212.20
STEERING RH, Autogreasing	707-00-0H480	80001-80607		P-UB-14	40 mm	70 mm	KOM-707-99-14790	218.43

LT - Large size tire L/S - Loading Shovel SLF - Super Long Front B/H - Backhoe HD - Heavy Duty L BUCKET - Large Bucket
 K-LINK - K-type Linkage Blade LB HI-LIFT - High Lift Arm w Large Bucket HI-LIFT - High Lift Arm S HI-LIFT - Super High Lift Arm
 SU - Semi-U Dozer PAT - Power Angle Power Tilt MP - Mult-Purpose

Replacement Kits For

KOMATSU

Loaders - Wheel								
APPLICATION	CYL #	SERIAL #	Misc	CODE	ROD	BORE	KIT #	List \$
MODEL WA320-7								
STEERING RH, Autogreasing	707-E0-00790	80608-		P-UB-14	40 mm	70 mm	KOM-707-99-14480	212.20
	724-Z0-40321	80001-80607		P-UB-14	40 mm	70 mm	KOM-707-99-14790	218.43
MODEL WA320-8								
BOOM LH	707-E1-02310	A38001-		P-UB-14	75 mm	120 mm	KOM-707-99-43040	246.55
	707-E1-02310	A38001-		Bushing	75 mm		KOM-707-52-90501	13.23
BOOM RH	707-E1-02320	A38001-		P-UB-14	75 mm	120 mm	KOM-707-99-43040	246.55
	707-E1-02320	A38001-		Bushing	75 mm		KOM-707-52-90501	13.23
BUCKET	707-E1-02300	A38001-		P-UB-14	110 mm	150 mm	KOM-707-99-59690	621.61
	707-E1-02300	A38001-		Bushing	110 mm		KOM-707-52-90851	55.25
QUICK COUPLER	707-00-02460	A38001-		P-U-14	20 mm	35 mm	KOM-707-99-02050	62.25
	707-00-02460	A38001-		Bushing	20 mm		KOM-707-52-10261	4.41
STEERING LH	707-G0-01610	A38001-		P-UB-14	40 mm	70 mm	KOM-721-98-01930	193.49
	707-G0-01610	A38001-		Bushing	40 mm		KOM-707-52-90151	11.24
STEERING RH	707-G0-01620	A38001-		P-UB-14	40 mm	70 mm	KOM-721-98-01930	193.49
	707-G0-01620	A38001-		Bushing	40 mm		KOM-707-52-90151	11.24
MODEL WA320PT-5L								
BOOM LIFT	707-01-0F060	A39001-		P-UB-14	75 mm	140 mm	KOM-707-99-53170	333.51
	707-01-0F060	A39001-		Bushing	75 mm		KOM-707-52-90520	31.45
BUCKET	707-01-0G890	A39001-		P-UB-14	100 mm	200 mm	KOM-707-99-73160	694.35
	707-01-0G890	A39001-		Bushing	100 mm		KOM-707-52-90760	49.41
MULTI-COUPLER LOCK	707-00-02460	A39001-		P-U-10	20 mm	35 mm	KOM-707-00-02460K	66.90
	707-00-02460	A39001-		Bushing	20 mm		KOM-707-52-10260	4.41
STEERING	707-00-0Z680	A39001-		P-UB-14	40 mm	70 mm	KOM-707-99-14770	203.46
	707-00-0Z680	A39001-		Bushing	40 mm		KOM-707-52-90150	11.24
MODEL WA320PZ-6								
BOOM LIFT	707-01-0AH40	70001-		P-U-14	75 mm	140 mm	KOM-707-99-53270	148.45
	707-01-0AH40	70001-		Bushing	75 mm		KOM-707-52-90520	31.45
	707-01-0AH40	70452-		P-U-14	75 mm	140 mm	KOM-707-99-53270	148.45
	707-01-0AH40	70452-		Bushing	75 mm		KOM-707-52-90521	31.45
BUCKET	707-01-0AH51	70001-		P-UB-14	110 mm	180 mm	KOM-707-99-67690	332.18
	707-01-0AH51	70001-		Bushing	110 mm		KOM-707-52-90850	55.25
	707-01-0AH51	70452-		P-UB-14	110 mm	180 mm	KOM-707-99-67690	332.18
	707-01-0AH51	70452-		Bushing	110 mm		KOM-707-52-90851	55.25
MULTI-COUPLER LOCK	707-00-02460	70452-		P-U-10	20 mm	35 mm	KOM-707-00-02460K	66.90
	707-00-02460	70452-		Bushing	20 mm		KOM-707-52-10261	4.41
STEERING LH	707-00-0H470	70001-		P-UB-14	40 mm	70 mm	KOM-707-99-14790	218.43
	707-00-0H470	70001-		Bushing	40 mm		KOM-707-52-90150	11.24
	707-00-0H470	70452-		P-UB-14	40 mm	70 mm	KOM-707-99-14790	218.43
	707-00-0H470	70452-		Bushing	40 mm		KOM-707-52-90151	11.24
STEERING RH	707-00-0H480	70001-		P-UB-14	40 mm	70 mm	KOM-707-99-14790	218.43
	707-00-0H480	70001-		Bushing	40 mm		KOM-707-52-90150	11.24
	707-00-0H480	70452-		P-UB-14	40 mm	70 mm	KOM-707-99-14790	218.43
	707-00-0H480	70452-		Bushing	40 mm		KOM-707-52-90151	11.24
MODEL WA380-1								
DUMP	707-01-03700	20001-		P-U-14	90 mm	180 mm	KOM-707-99-64400	416.22
	707-01-18082	10001-19999		P-U-14	90 mm	180 mm	KOM-707-99-64400	416.22
	707-01-18082	10001-19999		Bushing	90 mm		KOM-07177-09035	47.41
LIFT	707-01-01080	20001-		P-U-14	90 mm	160 mm	KOM-707-99-64010	275.64
	707-01-16280	10001-19999		P-U-14	90 mm	160 mm	KOM-707-99-64010	275.64
STEERING	707-00-01800	20001-		P-U-14	45 mm	80 mm	KOM-707-99-24120	154.55
	707-00-80021	10001-19999		P-U-14	45 mm	80 mm	KOM-707-99-24110	159.59
MODEL WA380-3								
DUMP	707-01-03290	50001-		P-U-14	90 mm	180 mm	KOM-707-99-64410	286.29
	707-01-03290	50001-		Bushing	90 mm		KOM-707-52-10910	53.65
	707-01-03290	A50001-		P-U-14	90 mm	180 mm	KOM-707-99-64410	286.29

LT - Large size tire L/S - Loading Shovel SLF - Super Long Front B/H - Backhoe HD - Heavy Duty L BUCKET - Large Bucket
 K-LINK - K-type Linkage Blade LB HI-LIFT - High Lift Arm w Large Bucket HI-LIFT - High Lift Arm S HI-LIFT - Super High Lift Arm
 SU - Semi-U Dozer PAT - Power Angle Power Tilt MP - Mult-Purpose

FORMERLY LISTED REPAIR PARTS ARE AVAILABLE ONLINE AT WWW.HERCULESCA.CA
 OR BY CONTACTING YOUR REGIONAL HERCULES SALES TEAM.

Replacement Kits For

KOMATSU

Loaders - Wheel								
APPLICATION	CYL #	SERIAL #	Misc	CODE	ROD	BORE	KIT #	List \$
MODEL WA380-3								
DUMP	707-01-03290	A50001-		Bushing	90 mm		KOM-707-52-10910	53.65
LIFT	707-01-01080	50001-		P-UB-14	90 mm	160 mm	KOM-707-99-64040	397.77
	707-01-01080	50001-		Bushing	90 mm		KOM-07177-09035	47.41
LIFT ARM	707-01-01080	A50001-		P-UB-14	90 mm	160 mm	KOM-707-99-64040	397.77
LIFT ARM (HI-LIFT)	707-01-02210	A50001-		P-UB-14	90 mm	160 mm	KOM-707-99-64040	397.77
STEERING	707-00-01800	50001-		P-U-14	45 mm	80 mm	KOM-707-99-24120	154.55
	707-00-01800	50001-		Bushing	45 mm		KOM-07177-04530	15.43
	707-00-01800	A50001-		P-U-14	45 mm	80 mm	KOM-707-99-24120	154.55
MODEL WA380-5L								
BOOM LH	707-01-0A790	A52001-		P-UB-14	90 mm	160 mm	KOM-707-99-64080	348.25
BOOM RH	707-01-0A800	A52001-		P-UB-14	90 mm	160 mm	KOM-707-99-64080	348.25
DUMP	707-01-0A810	A52001-		P-UB-14	90 mm	180 mm	KOM-707-99-64540	399.48
DUMP (HI-LIFT)	707-01-XC990	A52001-		P-UB-14	90 mm	180 mm	KOM-707-99-64540	399.48
DUMP (Logging)	707-01-XE090	A52001-		P-UB-14	100 mm	200 mm	KOM-707-99-73160	694.35
STEERING	707-00-07F80	A52001-		P-UB-14	45 mm	90 mm	KOM-707-99-24630	259.04
MODEL WA380-6								
BOOM LIFT LH	707-01-0K160	65001-65948		P-UB-14	90 mm	130 mm	KOM-707-99-48620	218.95
	707-01-0K160	65001-65948		Bushing	90 mm		KOM-707-52-90680	44.23
	707-01-0K160	65949-		P-UB-14	90 mm	130 mm	KOM-707-99-48620	218.95
	707-01-0K160	65949-		Bushing	90 mm		KOM-707-52-90681	44.23
	707-01-0K160	A53001-		P-UB-14	90 mm	130 mm	KOM-707-99-48620	218.95
	707-01-0K160	A53001-		Bushing	90 mm		KOM-707-52-90681	44.23
	707-01-0K160	A54001-		P-UB-14	90 mm	130 mm	KOM-707-99-48620	218.95
	707-01-0K160	A54001-		Bushing	90 mm		KOM-707-52-90681	44.23
BOOM LIFT RH	707-01-0K170	65001-65948		P-UB-14	90 mm	130 mm	KOM-707-99-48620	218.95
	707-01-0K170	65001-65948		Bushing	90 mm		KOM-707-52-90680	44.23
	707-01-0K170	65949-		P-UB-14	90 mm	130 mm	KOM-707-99-48620	218.95
	707-01-0K170	65949-		Bushing	90 mm		KOM-707-52-90681	44.23
	707-01-0K170	A53001-		P-UB-14	90 mm	130 mm	KOM-707-99-48620	218.95
	707-01-0K170	A53001-		Bushing	90 mm		KOM-707-52-90681	44.23
	707-01-0K170	A54001-		P-UB-14	90 mm	130 mm	KOM-707-99-48620	218.95
	707-01-0K170	A54001-		Bushing	90 mm		KOM-707-52-90681	44.23
BUCKET	707-01-0K180	65001-65948		P-UB-14	90 mm	150 mm	KOM-707-99-56620	402.35
	707-01-0K180	65001-65948		Bushing	90 mm		KOM-707-52-90680	44.23
	707-01-0K180	65949-		P-UB-14	90 mm	150 mm	KOM-707-99-56620	402.35
	707-01-0K180	65949-		Bushing	90 mm		KOM-707-52-90681	44.23
	707-01-0K180	A53001-		P-UB-14	90 mm	150 mm	KOM-707-99-56620	402.35
	707-01-0K180	A53001-		Bushing	90 mm		KOM-707-52-90681	44.23
	707-01-0K180	A54001-		P-UB-14	90 mm	150 mm	KOM-707-99-56620	402.35
	707-01-0K180	A54001-		Bushing	90 mm		KOM-707-52-90681	44.23
	707-01-0L400	65001-65948	Large Bucket	P-UB-14	100 mm	160 mm	KOM-707-99-66380	332.80
	707-01-0L400	65001-65948	Large Bucket	Bushing	100 mm		KOM-707-52-90780	50.23
	707-01-0L400	65949-	Large Bucket	P-UB-14	100 mm	160 mm	KOM-707-99-66380	332.80
	707-01-0L400	65949-	Large Bucket	Bushing	100 mm		KOM-707-52-90781	50.23
	707-01-0L400	A53001-	Large Bucket	P-UB-14	100 mm	160 mm	KOM-707-99-66380	332.80
	707-01-0L400	A53001-	Large Bucket	Bushing	100 mm		KOM-707-52-90781	50.23
	707-01-0L400	A54001-	Large Bucket	P-UB-14	100 mm	160 mm	KOM-707-99-66380	332.80
	707-01-0L400	A54001-	Large Bucket	Bushing	100 mm		KOM-707-52-90781	50.23
	707-01-0L840	65001-65948	High Lift	P-UB-14	90 mm	150 mm	KOM-707-99-56620	402.35
	707-01-0L840	65001-65948	High Lift	Bushing	90 mm		KOM-707-52-90680	44.23
	707-01-0L840	65949-	High Lift	P-UB-14	90 mm	150 mm	KOM-707-99-56620	402.35
	707-01-0L840	65949-	High Lift	Bushing	90 mm		KOM-707-52-90681	44.23
	707-01-0L840	A53001-	High Lift	P-UB-14	90 mm	150 mm	KOM-707-99-56620	402.35
	707-01-0L840	A53001-	High Lift	Bushing	90 mm		KOM-707-52-90681	44.23
	707-01-0L840	A54001-	High Lift	P-UB-14	90 mm	150 mm	KOM-707-99-56620	402.35

LT - Large size tire L/S - Loading Shovel SLF - Super Long Front B/H - Backhoe HD - Heavy Duty L BUCKET - Large Bucket
 K-LINK - K-type Linkage Blade LB HI-LIFT - High Lift Arm w Large Bucket HI-LIFT - High Lift Arm S HI-LIFT - Super High Lift Arm
 SU - Semi-U Dozer PAT - Power Angle Power Tilt MP - Mult-Purpose

KOMATSU

Replacement Kits For

Loaders - Wheel								
APPLICATION	CYL #	SERIAL #	Misc	CODE	ROD	BORE	KIT #	List \$
MODEL WA380-6								
BUCKET	707-01-0L840	A54001-	High Lift	Bushing	90 mm		KOM-707-52-90681	44.23
LOCK MULTI-COUPLER	707-04-50190	A54001-		P-U-10	25 mm	50 mm	KOM-707-99-03420	80.13
	707-04-50190	A54001-		Bushing	25 mm		KOM-07177-02525	6.57
STEERING	707-00-0F510	A53001-		P-UB-14	45 mm	75 mm	KOM-707-98-23880	218.71
	707-00-0F510	A53001-		Bushing	45 mm		KOM-707-52-90220	11.24
	707-00-0F510	A54001-		P-UB-14	45 mm	75 mm	KOM-707-98-23880	218.71
	707-00-0F510	A54001-		Bushing	45 mm		KOM-707-52-90220	11.24
	707-00-0G780	65056-65948		P-UB-14	45 mm	75 mm	KOM-707-99-15810	245.27
	707-00-0G780	65056-65948		Bushing	45 mm		KOM-707-52-90220	11.24
	707-00-0G780	65949-		P-UB-14	45 mm	75 mm	KOM-707-99-15810	245.27
	707-00-0G780	65949-		Bushing	45 mm		KOM-707-52-90221	11.24
	707-00-0Y200	65001-65055		P-UB-14	45 mm	75 mm	KOM-707-98-23880	218.71
707-00-0Y200	65001-65055		Bushing	45 mm		KOM-707-52-90220	11.24	
MODEL WA380-7								
BOOM LIFT LH	707-E1-00920	10001-		P-UB-14	90 mm	130 mm	KOM-707-99-48630	322.66
	707-E1-00920	10001-		Bushing	90 mm		KOM-707-52-90681	44.23
	707-E1-00920	A64001-		P-UB-14	90 mm	130 mm	KOM-707-99-48630	322.66
	707-E1-00920	A64001-		Bushing	90 mm		KOM-707-52-90681	44.23
BOOM LIFT RH	707-E1-00930	10001-		P-UB-14	90 mm	130 mm	KOM-707-99-48630	322.66
	707-E1-00930	10001-		Bushing	90 mm		KOM-707-52-90681	44.23
	707-E1-00930	A64001-		P-UB-14	90 mm	130 mm	KOM-707-99-48630	322.66
	707-E1-00930	A64001-		Bushing	90 mm		KOM-707-52-90681	44.23
BUCKET	707-E1-00950	10001-	Large Bucket	P-UB-14	90 mm	150 mm	KOM-707-99-56730	493.21
	707-E1-00950	10001-	Large Bucket	Bushing	90 mm		KOM-707-52-90681	44.23
	707-E1-00950	A64001-		P-UB-14	90 mm	150 mm	KOM-707-99-56730	493.21
	707-E1-00950	A64001-		Bushing	90 mm		KOM-707-52-90681	44.23
STEERING	707-E0-00220	10001-		P-UB-14	45 mm	75 mm	KOM-707-99-15760	204.05
	707-E0-00220	10001-		Bushing	45 mm		KOM-707-52-90221	11.24
	707-E0-00220	A64001-		P-UB-14	45 mm	75 mm	KOM-707-99-15760	204.05
	707-E0-00220	A64001-		Bushing	45 mm		KOM-707-52-90221	11.24
MODEL WA380-8								
BOOM LH	707-E1-00920	A74001-		P-UB-14	90 mm	130 mm	KOM-707-99-48630	322.66
	707-E1-00920	A74001-		Bushing	90 mm		KOM-707-52-90681	44.23
BOOM RH	707-E1-00930	A74001-		P-UB-14	90 mm	130 mm	KOM-707-99-48630	322.66
	707-E1-00930	A74001-		Bushing	90 mm		KOM-707-52-90681	44.23
BUCKET	707-E1-00890	15001-	Large Dia	P-UB-14	100 mm	160 mm	KOM-707-99-66160	557.04
	707-E1-00890	15001-	Large Dia	Bushing	100 mm		KOM-707-52-90781	50.23
	707-E1-00950	15001-; A74001-		P-UB-14	90 mm	150 mm	KOM-707-99-56750	629.45
	707-E1-00950	15001-; A74001-		Bushing	90 mm		KOM-707-52-90681	44.23
BUCKET (HI-LIFT)	707-E1-00790	15001-		P-UB-14	90 mm	150 mm	KOM-707-99-56750	629.45
	707-E1-00790	15001-		Bushing	90 mm		KOM-707-52-90681	44.23
LIFT LH	707-E1-00920	15001-		P-UB-14	90 mm	130 mm	KOM-707-99-48630	322.66
	707-E1-00920	15001-		Bushing	90 mm		KOM-707-52-90681	44.23
LIFT RH	707-E1-00930	15001-		P-UB-14	90 mm	130 mm	KOM-707-99-48630	322.66
	707-E1-00930	15001-		Bushing	90 mm		KOM-707-52-90681	44.23
STEERING	707-G0-01910	15001-; A74001-		P-UB-14	45 mm	75 mm	KOM-721-98-01030	224.35
	707-G0-01910	15001-; A74001-		Bushing	45 mm		KOM-707-52-90221	11.24
MODEL WA420-1								
DUMP	707-01-01270	20001-		P-U-14	100 mm	200 mm	KOM-707-99-73010	264.38
	707-01-20083	10001-19999		P-U-14	100 mm	200 mm	KOM-707-99-73010	264.38
LIFT	707-01-01070	20001-		P-U-14	90 mm	160 mm	KOM-707-99-64010	275.64
	707-01-16081	10001-19999		P-U-14	100 mm	160 mm	KOM-707-99-66010	194.73
STEERING	707-00-01820	20001-		P-U-14	45 mm	90 mm	KOM-707-99-24510	99.06
	707-00-90221	10001-19999		P-U-14	45 mm	90 mm	KOM-707-99-24500	171.68

LT - Large size tire L/S - Loading Shovel SLF - Super Long Front B/H - Backhoe HD - Heavy Duty L BUCKET - Large Bucket
 K-LINK - K-type Linkage Blade LB HI-LIFT - High Lift Arm w Large Bucket HI-LIFT - High Lift Arm S HI-LIFT - Super High Lift Arm
 SU - Semi-U Dozer PAT - Power Angle Power Tilt MP - Multi-Purpose

FORMERLY LISTED REPAIR PARTS ARE AVAILABLE ONLINE AT WWW.HERCULESCA.CA
 OR BY CONTACTING YOUR REGIONAL HERCULES SALES TEAM.

Replacement Kits For

KOMATSU

Loaders - Wheel									
APPLICATION	CYL #	SERIAL #	Misc	CODE	ROD	BORE	KIT #	List \$	
MODEL WA420-3									
DUMP	707-01-02570	53001-53054		P-U-14	100 mm	200 mm	KOM-707-99-73020	242.97	
	707-01-02570	53001-53054		Bushing	100 mm		KOM-707-52-11010	71.72	
	707-01-02571	53055-		P-UB-14	100 mm	200 mm	KOM-707-99-73140	415.48	
	707-01-02571	53055-		Bushing	100 mm		KOM-707-52-90780	50.23	
	707-01-03272	30001-		P-U-14	100 mm	200 mm	KOM-707-99-73020	242.97	
GRAPPLE	707-01-03272	30001-		Bushing	100 mm		KOM-707-52-11010	71.72	
	707-01-13260	54101-		P-U-14	70 mm	130 mm	KOM-707-99-43530	136.14	
LIFT	707-01-13260	54101-		Bushing	70 mm		KOM-07177-07015	24.38	
	707-01-03081	30001-		P-U-14	90 mm	160 mm	KOM-707-99-64030	387.15	
	707-01-03081	30001-		Bushing	90 mm		KOM-707-52-10910	53.65	
	707-01-03081	53001-53051		P-U-14	90 mm	160 mm	KOM-707-99-64030	387.15	
	707-01-03081	53001-53051		Bushing	90 mm		KOM-707-52-10910	53.65	
STEERING	707-01-03082	53052-		P-UB-14	90 mm	160 mm	KOM-707-99-64130	434.85	
	707-01-03082	53052-		Bushing	90 mm		KOM-707-52-90680	44.23	
	707-00-01820	30001-		P-U-14	45 mm	90 mm	KOM-707-99-24510	99.06	
	707-00-01820	30001-		Bushing	45 mm		KOM-07177-04530	15.43	
	707-00-01820	53001-53045		P-U-14	45 mm	90 mm	KOM-707-99-24510	99.06	
	707-00-01820	53001-53045		Bushing	45 mm		KOM-07177-04530	15.43	
	707-00-01821	53046-		P-UB-14	45 mm	90 mm	KOM-707-99-24610	307.02	
	707-00-01821	53046-		Bushing	45 mm		KOM-707-52-90200	20.25	
STEERING	707-00-01822	54146-		P-UB-14	45 mm	90 mm	KOM-707-99-24610	307.02	
	707-00-01822	54146-		Bushing	45 mm		KOM-707-52-90200	20.25	
	MODEL WA430-6								
	BUCKET	707-01-0K830	65001-		P-UB-14	100 mm	160 mm	KOM-707-99-66380	332.80
707-01-0K830		A14001-	Large Bucket	P-UB-14	100 mm	160 mm	KOM-707-99-66380	332.80	
707-01-0L840		65001-	Hi-Lift Bucket	P-UB-14	90 mm	150 mm	KOM-707-99-56620	402.35	
707-01-0L840		A14001-	Hi-Lift Bucket	P-UB-14	90 mm	150 mm	KOM-707-99-56620	402.35	
LIFT LH	707-01-0AL40	65340-		P-UB-14	95 mm	135 mm	KOM-707-99-50740	272.48	
	707-01-0AL40	A14001-		P-UB-14	95 mm	135 mm	KOM-707-99-50740	272.48	
	707-01-0K810	65001-65339		P-UB-14	90 mm	130 mm	KOM-707-99-47860	247.57	
LIFT RH	707-01-0AL50	65340-		P-UB-14	95 mm	135 mm	KOM-707-99-50740	272.48	
	707-01-0AL50	A14001-		P-UB-14	95 mm	135 mm	KOM-707-99-50740	272.48	
	707-01-0K820	65001-65339		P-UB-14	90 mm	130 mm	KOM-707-99-47860	247.57	
STEERING	707-00-XX750	65001-		P-UB-14	45 mm	75 mm	KOM-707-99-15810	245.27	
	707-00-XX750	A14001-		P-UB-14	45 mm	75 mm	KOM-707-99-15810	245.27	
MODEL WA450-2									
DUMP	707-01-03250	A25001-		P-U-14	100 mm	200 mm	KOM-707-99-73020	242.97	
	707-01-03250	A25001-		Bushing	100 mm		KOM-707-52-11010	71.72	
LIFT	707-01-03050	A25001-		P-U-14	95 mm	180 mm	KOM-707-99-65400	296.08	
STEERING LH	707-00-01840	A25001-		P-U-14	50 mm	100 mm	KOM-707-99-32110	148.19	
	707-00-01840	A25001-		Bushing	50 mm		KOM-07177-05030	18.73	
STEERING RH	707-00-01940	A25001-		P-U-14	50 mm	100 mm	KOM-707-99-32110	148.19	
	707-00-01940	A25001-		Bushing	50 mm		KOM-07177-05030	18.73	
MODEL WA450-3									
DUMP	707-01-03251	30001		P-U-14	100 mm	200 mm	KOM-707-99-73020	242.97	
	707-01-03251	30001		Bushing	100 mm		KOM-707-52-11010	71.72	
LIFT	707-01-03150	30001		P-U-14	95 mm	180 mm	KOM-707-99-65400	296.08	
STEERING LH	707-00-01840	30001		P-U-14	50 mm	100 mm	KOM-707-99-32110	148.19	
	707-00-01840	30001		Bushing	50 mm		KOM-07177-05030	18.73	
STEERING RH	707-00-01940	30001		P-U-14	50 mm	100 mm	KOM-707-99-32110	148.19	
	707-00-01940	30001		Bushing	50 mm		KOM-07177-05030	18.73	
MODEL WA450-5L									
DUMP	707-01-0A270	A36001-		P-UB-14	100 mm	200 mm	KOM-707-99-73150	543.83	
	707-13-20222	A36001-		P-UB-14	100 mm	200 mm	KOM-707-99-73150	543.83	
DUMP (HI-LIFT)	707-01-0C390	A36001-		P-UB-14	100 mm	200 mm	KOM-707-99-73150	543.83	

LT - Large size tire L/S - Loading Shovel SLF - Super Long Front B/H - Backhoe HD - Heavy Duty L BUCKET - Large Bucket
 K-LINK - K-type Linkage Blade LB HI-LIFT - High Lift Arm w Large Bucket HI-LIFT - High Lift Arm S HI-LIFT - Super High Lift Arm
 SU - Semi-U Dozer PAT - Power Angle Power Tilt MP - Mulit-Purpose

KOMATSU

Replacement Kits For

KOMATSU

Loaders - Wheel								
APPLICATION	CYL #	SERIAL #	Misc	CODE	ROD	BORE	KIT #	List \$
MODEL WA450-5L								
DUMP (HI-LIFT)	707-13-20222	A36001-		P-UB-14	100 mm	200 mm	KOM-707-99-73150	543.83
DUMP (L BUCKET)	707-01-0A691	A36001-		P-UB-14	120 mm	225 mm	KOM-707-99-75490	938.75
	707-13-22070	A36001-		P-UB-14	120 mm	225 mm	KOM-707-99-75490	938.75
LIFT LH	707-01-0A250	A36001-		P-UB-14	95 mm	180 mm	KOM-707-99-65420	315.19
	707-13-18231	A36001-		P-UB-14	95 mm	180 mm	KOM-707-99-65420	315.19
LIFT RH	707-01-0A260	A36001-		P-UB-14	95 mm	180 mm	KOM-707-99-65420	315.19
	707-13-18241	A36001-		P-UB-14	95 mm	180 mm	KOM-707-99-65420	315.19
STEERING LH	707-00-07D90	A36001-		P-UB-14	50 mm	100 mm	KOM-707-99-32250	309.31
	707-11-10A81	A36001-		P-UB-14	50 mm	100 mm	KOM-707-99-32250	309.31
STEERING RH	707-00-07E00	A36001-		P-UB-14	50 mm	100 mm	KOM-707-99-32250	309.31
	707-11-10A91	A36001-		P-UB-14	50 mm	100 mm	KOM-707-99-32250	309.31
MODEL WA450-6								
BUCKET	707-01-0K630	66001-		P-UB-14	100 mm	160 mm	KOM-707-99-66360	698.22
DUMP	707-13-16190	66001-		P-UB-14	100 mm	160 mm	KOM-707-99-66360	698.22
LIFT LH	707-01-0K610	66001-		P-UB-14	95 mm	140 mm	KOM-707-99-57310	472.45
	707-13-14910	66001-		P-UB-14	95 mm	140 mm	KOM-707-99-57310	472.45
LIFT RH	707-01-0K620	66001-		P-UB-14	95 mm	140 mm	KOM-707-99-57310	472.45
	707-13-14920	66001-		P-UB-14	95 mm	140 mm	KOM-707-99-57310	472.45
STEERING LH	707-00-0G760	66001-		P-UB-14	50 mm	90 mm	KOM-707-99-25710	272.31
	721-11-90750	66001-		P-UB-14	50 mm	90 mm	KOM-707-99-25710	272.31
STEERING RH	707-00-0G770	66001-		P-UB-14	50 mm	90 mm	KOM-707-99-25710	272.31
	721-11-90760	66001-		P-UB-14	50 mm	90 mm	KOM-707-99-25710	272.31
MODEL WA470-3								
DUMP	421-63-H3020	-H20942		P-UB-14	100 mm	200 mm	KOM-421-63-H0P05	687.45
	421-63-H3021	H20943-		P-UB-14	100 mm	200 mm	KOM-707-99-H0P03	687.45
	707-01-03251	50001-52999		P-U-14	100 mm	200 mm	KOM-707-99-73020	242.97
	707-01-08691	53001-		P-U-14	100 mm	200 mm	KOM-707-99-73020	242.97
DUMP (HI-LIFT)	421-V50-H021	H20942-		P-UB-14	100 mm	200 mm	KOM-707-99-H0P03	687.45
DUMP (MAGNUM)	421-V58-H021	H20942-		P-UB-14	100 mm	200 mm	KOM-707-99-H0P03	687.45
LIFT	421-63-H2020	-H20946		P-U-14	95 mm	180 mm	KOM-707-99-H0P01	607.50
	421-63-H2021	H20947-		P-UB-14	95 mm	180 mm	KOM-707-99-H0P10	659.87
	707-01-03150	50001-52999		P-U-14	95 mm	180 mm	KOM-707-99-65400	296.08
	707-01-08621	53001-		P-U-14	95 mm	180 mm	KOM-707-99-65400	296.08
STEERING	707-00-01840	50001-52999		P-U-14	50 mm	100 mm	KOM-707-99-32110	148.19
	707-00-01940	50001-52999		P-U-14	50 mm	100 mm	KOM-707-99-32110	148.19
	707-00-08741	53001-		P-U-14	50 mm	100 mm	KOM-707-99-32110	148.19
	707-00-08751	53001-		P-U-14	50 mm	100 mm	KOM-707-99-32110	148.19
STEERING LH	707-00-H1841	H20942-		P-UB-14	50 mm	100 mm	KOM-707-99-H0P11	268.26
STEERING RH	707-00-H1941	H20942-		P-UB-14	50 mm	100 mm	KOM-707-99-H0P11	268.26
MODEL WA470-5								
DUMP	707-01-0A270	70001-		P-UB-14	100 mm	200 mm	KOM-707-99-73150	543.83
DUMP (HI-LIFT)	707-01-0C390	70001-		P-UB-14	100 mm	200 mm	KOM-707-99-73150	543.83
DUMP (L BUCKET)	707-01-0A691	70001-		P-UB-14	120 mm	225 mm	KOM-707-99-75490	938.75
LIFT LH	707-01-0A250	70001-		P-UB-14	95 mm	180 mm	KOM-707-99-65420	315.19
LIFT RH	707-01-0A260	70001-		P-UB-14	95 mm	180 mm	KOM-707-99-65420	315.19
STEERING LH	707-00-0A500	70001-		P-UB-14	50 mm	100 mm	KOM-707-99-32250	309.31
STEERING RH	707-00-0A510	70001-		P-UB-14	50 mm	100 mm	KOM-707-99-32250	309.31
MODEL WA470-6								
BOOM LH	707-01-0K611	A45001-; A46001-		P-UB-14	95 mm	140 mm	KOM-707-99-57310	472.45
	707-01-0K611	A45001-; A46001-		Bushing	95 mm		KOM-707-52-90720	45.45
	707-01-0K621	A45001-; A46001-		P-UB-14	95 mm	140 mm	KOM-707-99-57310	472.45
	707-01-0K621	A45001-; A46001-		Bushing	95 mm		KOM-707-52-90720	45.45
BUCKET	707-01-XN460	A46001-	High Lift	P-UB-14	100 mm	160 mm	KOM-707-99-66360	698.22
	707-01-XN460	A46001-	High Lift	Bushing	100 mm		KOM-707-52-90780	50.23
	707-01-XP550	A45001-; A46001-		P-UB-14	100 mm	160 mm	KOM-707-99-66360	698.22

LT - Large size tire L/S - Loading Shovel SLF - Super Long Front B/H - Backhoe HD - Heavy Duty L BUCKET - Large Bucket
 K-LINK - K-type Linkage Blade LB HI-LIFT - High Lift Arm w Large Bucket HI-LIFT - High Lift Arm S HI-LIFT - Super High Lift Arm
 SU - Semi-U Dozer PAT - Power Angle Power Tilt MP - Multit-Purpose

FORMERLY LISTED REPAIR PARTS ARE AVAILABLE ONLINE AT WWW.HERCULESCA.CA
 OR BY CONTACTING YOUR REGIONAL HERCULES SALES TEAM.

Replacement Kits For

KOMATSU

Loaders - Wheel								
APPLICATION	CYL #	SERIAL #	Misc	CODE	ROD	BORE	KIT #	List \$
MODEL WA470-6								
BUCKET	707-01-XP550	A45001-; A46001-		Bushing	100 mm		KOM-707-52-90780	50.23
STEERING LH	707-00-0G760	A45001-; A46001-		P-UB-14	50 mm	90 mm	KOM-707-99-25710	272.31
	707-00-0G760	A45001-; A46001-		Bushing	50 mm		KOM-707-52-90250	18.73
STEERING RH	707-00-0G770	A45001-; A46001-		P-UB-14	50 mm	90 mm	KOM-707-99-25710	272.31
	707-00-0G770	A45001-; A46001-		Bushing	50 mm		KOM-707-52-90250	18.73
MODEL WA470-7								
BOOM LH	707-E1-02250	A47001-		P-UB-14	95 mm	140 mm	KOM-707-99-57360	318.45
BUCKET	707-E1-02270	10001-10454		P-UB-14	100 mm	160 mm	KOM-707-99-66180	623.50
	707-E1-02270	A47001-		P-UB-14	100 mm	160 mm	KOM-707-99-66180	623.50
	707-E1-02271	10455-		P-UB-14	100 mm	160 mm	KOM-707-99-66180	623.50
BUCKET HI-LIFT	707-E1-02390	10001-10283		P-UB-14	100 mm	160 mm	KOM-707-99-66180	623.50
	707-E1-02390	10284-		P-UB-14	100 mm	160 mm	KOM-707-99-66180	623.50
	707-H1-02390	A47001-		P-UB-14	100 mm	160 mm	KOM-707-99-66180	623.50
BUCKET, Large diam. fork	707-E1-02540	10001-		P-UB-14	110 mm	180 mm	KOM-707-99-67530	835.03
LIFT LH	707-E1-02250	10001-		P-UB-14	95 mm	140 mm	KOM-707-99-57360	318.45
LIFT RH	707-E1-02260	10001-		P-UB-14	95 mm	140 mm	KOM-707-99-57360	318.45
MODEL WA470-8								
BUCKET	707-E1-02270	100001-100015; A49001-A49074		P-UB-14	100 mm	160 mm	KOM-707-99-66180	623.50
	707-E1-02270	100001-100015; A49001-A49074		Bushing	100 mm		KOM-707-52-90781	50.23
	707-E1-02271	100016-		P-UB-14	100 mm	160 mm	KOM-707-99-66180	623.50
	707-E1-02271	100016-		Bushing	100 mm		KOM-707-52-90781	50.23
	707-E1-02540	100001-; A49001-		P-UB-14	110 mm	180 mm	KOM-707-99-67530	835.03
	707-E1-02540	100001-; A49001-		Bushing	110 mm		KOM-707-52-90851	55.25
BUCKET (HI-LIFT)	707-E1-02390	100001-; A49001-		P-UB-14	100 mm	160 mm	KOM-707-99-66180	623.50
	707-E1-02390	100001-; A49001-		Bushing	100 mm		KOM-707-52-90781	50.23
LIFT LH	707-E1-01750	100001-		P-UB-14	95 mm	140 mm	KOM-707-99-57360	318.45
	707-E1-01750	100001-		Bushing	95 mm		KOM-707-52-90721	45.45
	707-E1-02250	100001-; A49001-		P-UB-14	95 mm	140 mm	KOM-707-99-57360	318.45
	707-E1-02250	100001-; A49001-		Bushing	95 mm		KOM-707-52-90721	45.45
LIFT RH	707-E1-01760	100001-		P-UB-14	95 mm	140 mm	KOM-707-99-57360	318.45
	707-E1-01760	100001-		Bushing	95 mm		KOM-707-52-90721	45.45
	707-E1-02260	100001-; A49001-		P-UB-14	95 mm	140 mm	KOM-707-99-57360	318.45
	707-E1-02260	100001-; A49001-		Bushing	95 mm		KOM-707-52-90721	45.45
STEERING LH	707-G0-00661	100001-; A49001-		P-UB-14	50 mm	90 mm	KOM-721-98-00730	189.88
	707-G0-00661	100001-; A49001-		Bushing	50 mm		KOM-707-52-90251	18.73
STEERING RH	707-G0-00671	100001-; A49001-		P-UB-14	50 mm	90 mm	KOM-721-98-00730	189.88
	707-G0-00671	100001-; A49001-		Bushing	50 mm		KOM-707-52-90251	18.73
MODEL WA500-1								
DUMP	707-01-22014	10001-		P-U-14	120 mm	225 mm	KOM-707-99-75400	341.55
DUMP (L BUCKET)	707-01-25010	10001-		P-U-14	140 mm	250 mm	KOM-707-99-84010	625.67
GRAPPLE	707-01-14011	10001-		P-U-14	70 mm	140 mm	KOM-707-99-52100	311.06
LIFT	707-01-20012	10001-		P-U-14	110 mm	200 mm	KOM-707-99-74010	304.65
STEERING	707-00-11011	10001-		P-U-14	55 mm	110 mm	KOM-707-99-34500	151.39
	707-00-11021	10001-		P-U-14	55 mm	110 mm	KOM-707-99-34500	151.39
MODEL WA500-3								
BOOM	707-01-03041	A70001-		P-UB-14	110 mm	200 mm	KOM-707-99-74120	316.01
DUMP	707-01-03242	50001-		P-UB-14	120 mm	225 mm	KOM-707-99-75450	705.77
	707-01-03242	50001-		Bushing	120 mm		KOM-707-52-90950	99.86
	707-01-03242	A70001-		P-UB-14	120 mm	225 mm	KOM-707-99-75450	705.77
LIFT	707-01-03041	50001-		P-UB-14	110 mm	200 mm	KOM-707-99-74120	316.01
	707-01-03041	50001-		Bushing	110 mm		KOM-707-52-90860	105.97
STEERING	707-00-03852	50001-		P-UB-14	55 mm	110 mm	KOM-707-99-34550	233.42
	707-00-03852	50001-		Bushing	55 mm		KOM-707-52-90300	22.29
	707-00-03952	50001-		P-UB-14	55 mm	110 mm	KOM-707-99-34550	233.42

LT - Large size tire L/S - Loading Shovel SLF - Super Long Front B/H - Backhoe HD - Heavy Duty L BUCKET - Large Bucket
 K-LINK - K-type Linkage Blade LB HI-LIFT - High Lift Arm w Large Bucket HI-LIFT - High Lift Arm S HI-LIFT - Super High Lift Arm
 SU - Semi-U Dozer PAT - Power Angle Power Tilt MP - Mult-Purpose

KOMATSU

Replacement Kits For

Loaders - Wheel								
APPLICATION	CYL #	SERIAL #	Misc	CODE	ROD	BORE	KIT #	List \$
MODEL WA500-3								
STEERING	707-00-03952	50001-		Bushing	55 mm		KOM-707-52-90300	22.29
STEERING LH	707-00-03852	A70001-		P-UB-14	55 mm	110 mm	KOM-707-99-34550	233.42
STEERING RH	707-00-03952	A70001-		P-UB-14	55 mm	110 mm	KOM-707-99-34550	233.42
MODEL WA500-3LE								
BOOM	707-01-03041	A70001-		P-UB-14	110 mm	200 mm	KOM-707-99-74120	316.01
DUMP	707-01-03242	A70001-		P-UB-14	120 mm	225 mm	KOM-707-99-75450	705.77
STEERING LH	707-00-03852	A70001-		P-UB-14	55 mm	110 mm	KOM-707-99-34550	233.42
STEERING RH	707-00-03952	A70001-		P-UB-14	55 mm	110 mm	KOM-707-99-34550	233.42
MODEL WA500-6								
DUMP	707-01-0J730	A92001-		P-UB-14	120 mm	185 mm	KOM-707-99-68430	976.19
	707-13-18970	A92001-		P-UB-14	120 mm	185 mm	KOM-707-99-68430	976.19
DUMP (HI-LIFT)	707-01-0J740	A92001-		P-UB-14	120 mm	185 mm	KOM-707-99-68430	976.19
	707-13-18970	A92001-		P-UB-14	120 mm	185 mm	KOM-707-99-68430	976.19
LIFT LH	707-01-0J710	A92001-		P-UB-14	120 mm	160 mm	KOM-707-99-68420	702.27
	721-13-16110	A92001-		P-UB-14	120 mm	160 mm	KOM-707-99-68420	702.27
LIFT RH	707-01-0J710	A92001-		P-UB-14	120 mm	160 mm	KOM-707-99-68420	702.27
	721-13-16110	A92001-		P-UB-14	120 mm	160 mm	KOM-707-99-68420	702.27
STEERING LH	707-00-0G640	A92001-		P-UB-14	60 mm	100 mm	KOM-707-99-35320	429.96
	707-11-10G80	A92001-		P-UB-14	60 mm	100 mm	KOM-707-99-35320	429.96
STEERING RH	707-00-0G640	A92001-		P-UB-14	60 mm	100 mm	KOM-707-99-35320	429.96
	707-11-10G80	A92001-		P-UB-14	60 mm	100 mm	KOM-707-99-35320	429.96
MODEL WA500-7								
BOOM LH	707-E1-01310	A94001-		P-UB-14	120 mm	160 mm	KOM-707-99-67760	776.94
BUCKET	707-E1-01330	10001-		P-UB-14	120 mm	185 mm	KOM-707-99-67770	972.12
	707-E1-01330	10001-		Bushing	120 mm		KOM-707-52-90981	84.31
	707-E1-01330	A94001-		P-UB-14	120 mm	185 mm	KOM-707-99-67770	972.12
	707-E1-01330	A94001-		Bushing	120 mm		KOM-707-52-90981	84.31
LIFT LH	707-E1-01310	10001-		P-UB-14	120 mm	160 mm	KOM-707-99-67760	776.94
LIFT RH	707-E1-01320	10001-		P-UB-14	120 mm	160 mm	KOM-707-99-67760	776.94
STEERING LH	707-E0-00430	10001-		P-UB-14	60 mm	100 mm	KOM-707-99-35180	242.99
	707-E0-00430	10001-		Bushing	60 mm		KOM-707-52-90351	22.48
	707-E0-00430	A94001-		P-UB-14	60 mm	100 mm	KOM-707-99-35180	242.99
	707-E0-00430	A94001-		Bushing	60 mm		KOM-707-52-90351	22.48
STEERING RH	707-E0-00440	10001-		P-UB-14	60 mm	100 mm	KOM-707-99-35180	242.99
	707-E0-00440	10001-		Bushing	60 mm		KOM-707-52-90351	22.48
	707-E0-00440	A94001-		P-UB-14	60 mm	100 mm	KOM-707-99-35180	242.99
	707-E0-00440	A94001-		Bushing	60 mm		KOM-707-52-90351	22.48
MODEL WA500-8								
BUCKET	707-E1-01331	90001-; A96001-		P-UB-14	120 mm	185 mm	KOM-707-99-67770	972.12
	707-E1-01331	90001-; A96001-		Bushing	120 mm		KOM-707-52-90981	84.31
BUCKET (HI-LIFT)	707-E1-02441	90001-; A96001-		P-UB-14	120 mm	185 mm	KOM-707-99-67770	972.12
	707-E1-02441	90001-; A96001-		Bushing	120 mm		KOM-707-52-90981	84.31
BUCKET (L BUCKET)	707-E1-02501	90001-; A96001-		P-UB-14	140 mm	200 mm	KOM-707-99-76060	1032.78
LIFT LH	707-E1-01311	90001-; A96001-		P-UB-14	120 mm	160 mm	KOM-707-99-67760	776.94
LIFT RH	707-E1-01321	90001-; A96001-		P-UB-14	120 mm	160 mm	KOM-707-99-67760	776.94
STEERING	707-G0-1360	90001-		P-UB-14	60 mm	100 mm	KOM-707-99-35180	242.99
	707-G0-1360	90001-		Bushing	60 mm		KOM-707-52-90351	22.48
	707-G0-1360	90001-; A96001-		P-UB-14	60 mm	100 mm	KOM-721-98-01350	269.64
	707-G0-1360	90001-; A96001-		Bushing	60 mm		KOM-707-52-90351	22.48
MODEL WA600-1								
DUMP	707-01-28014	10001-10234		P-U-14	140 mm	280 mm	KOM-707-99-84400	536.39
	707-01-28014	10001-10234		Bushing	140 mm		KOM-707-52-11410	142.17
	707-01-28015	10235-11463		P-U-14	140 mm	280 mm	KOM-707-99-84400	536.39
	707-01-28015	10235-11463		Bushing	140 mm		KOM-707-52-11410	142.17
	707-01-28016	11464-		P-UB-14	140 mm	280 mm	KOM-707-99-84440	627.89

LT - Large size tire L/S - Loading Shovel SLF - Super Long Front B/H - Backhoe HD - Heavy Duty L BUCKET - Large Bucket
 K-LINK - K-type Linkage Blade LB HI-LIFT - High Lift Arm w Large Bucket HI-LIFT - High Lift Arm S HI-LIFT - Super High Lift Arm
 SU - Semi-U Dozer PAT - Power Angle Power Tilt MP - Mult-Purpose

FORMERLY LISTED REPAIR PARTS ARE AVAILABLE ONLINE AT WWW.HERCULESCA.CA
 OR BY CONTACTING YOUR REGIONAL HERCULES SALES TEAM.

Replacement Kits For

KOMATSU

Loaders - Wheel								
APPLICATION	CYL #	SERIAL #	Misc	CODE	ROD	BORE	KIT #	List \$
MODEL WA600-1								
DUMP	707-01-28016	11464-		Bushing	140 mm		KOM-707-52-91150	142.17
GRAPPLE	707-01-14011	10001-		P-U-14	70 mm	140 mm	KOM-707-99-52100	311.06
LIFT	707-01-22111	10001-		P-U-14	120 mm	225 mm	KOM-707-99-75410	337.57
	707-01-22112	11464-		P-UB-14	120 mm	225 mm	KOM-707-99-75440	434.43
STEERING	707-00-13082	11464-		P-UB-14	70 mm	130 mm	KOM-707-99-43570	369.43
	707-01-13071	10001-		P-U-14	70 mm	130 mm	KOM-707-99-43500	274.60
	707-01-13072	11464-		P-UB-14	70 mm	130 mm	KOM-707-99-43570	369.43
	707-01-13081	10001-		P-U-14	70 mm	130 mm	KOM-707-99-43500	274.60
MODEL WA600-3								
DUMP	707-01-03231	50001-		P-UB-14	140 mm	280 mm	KOM-707-99-84450	672.12
	707-01-03231	A52001-		P-UB-14	140 mm	280 mm	KOM-707-99-84450	672.12
	707-01-03232	50326-		P-UB-14	140 mm	280 mm	KOM-707-99-84470	556.36
LIFT	707-01-03030	50001-		P-UB-14	120 mm	225 mm	KOM-707-99-75450	705.77
	707-01-03030	A52001-		P-UB-14	120 mm	225 mm	KOM-707-99-75450	705.77
STEERING	707-00-03061	50001-		P-UB-14	70 mm	130 mm	KOM-707-99-43590	383.51
	707-00-03861	A52001-		P-UB-14	70 mm	130 mm	KOM-707-99-43590	383.51
MODEL WA600-3L								
DUMP	707-01-03231	A52001-		P-UB-14	140 mm	280 mm	KOM-707-99-84450	672.12
LIFT	707-01-03030	A52001-		P-UB-14	120 mm	225 mm	KOM-707-99-75450	705.77
STEERING	707-00-03861	A52001-		P-UB-14	70 mm	130 mm	KOM-707-99-43590	383.51
MODEL WA600-6								
DUMP 3850mm Link	707-01-0J620	60001-		P-UB-14	140 mm	225 mm	KOM-707-99-77630	776.20
DUMP 3990mm Link	707-01-0J020	60001-		P-UB-14	140 mm	225 mm	KOM-707-99-77630	776.20
LIFT LH	707-01-0H990	60001-		P-UB-14	140 mm	200 mm	KOM-707-99-77090	743.71
LIFT RH	707-01-0H990	60001-		P-UB-14	140 mm	200 mm	KOM-707-99-77090	743.71
STEERING LH	707-01-0J030	60001-		P-UB-14	75 mm	115 mm	KOM-707-99-44060	339.68
STEERING LH (LDT)	707-01-0J130	60001-		P-UB-14	90 mm	130 mm	KOM-707-99-47830	478.06
STEERING RH	707-01-0J040	60001-		P-UB-14	75 mm	115 mm	KOM-707-99-44060	339.68
STEERING RH (LDT)	707-01-0J140	60001-		P-UB-14	90 mm	130 mm	KOM-707-99-47830	478.06
MODEL WA700-1								
DUMP	707-01-01220	10001-		P-UB-14	170 mm	280 mm	KOM-707-99-86600	1197.74
LIFT	707-01-01020	10001-		P-UB-14	140 mm	225 mm	KOM-707-99-77600	688.63
STEERING	707-01-01320	10001-		P-UB-14	85 mm	130 mm	KOM-707-99-46620	412.62
	707-01-01420	10001-		P-UB-14	85 mm	130 mm	KOM-707-99-46620	412.62
MODEL WA700-3								
DUMP	707-01-01220	50001-		P-UB-14	170 mm	280 mm	KOM-707-99-86600	1197.74
LIFT	707-01-01020	50001-		P-UB-14	140 mm	225 mm	KOM-707-99-77600	688.63
STEERING	707-01-01320	50001-		P-UB-14	85 mm	130 mm	KOM-707-99-46620	412.62
	707-01-01420	50001-		P-UB-14	85 mm	130 mm	KOM-707-99-46620	412.62
MODEL WA800-1								
DUMP	707-01-01210	10001-		P-UB-14	180 mm	300 mm	KOM-707-99-96200	2137.69
DUMP (HI-LIFT)	707-01-02100	10001-		P-UB-14	180 mm	300 mm	KOM-707-99-96200	2137.69
LIFT	707-01-01010	10001-		P-UB-14	160 mm	260 mm	KOM-707-99-85900	1329.03
LIFT (HI-LIFT)	707-01-02090	10001-		P-UB-14	160 mm	260 mm	KOM-707-99-85900	1329.03
STEERING	707-01-16181	10001-		P-UB-14	100 mm	160 mm	KOM-707-99-66210	407.51
	707-01-16191	10001-		P-UB-14	100 mm	160 mm	KOM-707-99-66210	407.51
MODEL WA800-2								
DUMP	707-01-01210	10501-		P-UB-14	180 mm	300 mm	KOM-707-99-96200	2137.69
DUMP (HI-LIFT)	707-01-02100	10501-		P-UB-14	180 mm	300 mm	KOM-707-99-96200	2137.69
LIFT	707-01-01010	10501-		P-UB-14	160 mm	260 mm	KOM-707-99-85900	1329.03
LIFT (HI-LIFT)	707-01-02090	10501-		P-UB-14	160 mm	260 mm	KOM-707-99-85900	1329.03
STEERING	707-01-16181	10501-		P-UB-14	100 mm	160 mm	KOM-707-99-66210	407.51
	707-01-16191	10501-		P-UB-14	100 mm	160 mm	KOM-707-99-66210	407.51
MODEL WA800-3								
DUMP	707-01-03210	50001-		P-UB-14	180 mm	300 mm	KOM-707-99-96200	2137.69
LIFT	707-01-03011	50001-		P-UB-14	160 mm	260 mm	KOM-707-99-85900	1329.03

LT - Large size tire L/S - Loading Shovel SLF - Super Long Front B/H - Backhoe HD - Heavy Duty L BUCKET - Large Bucket
 K-LINK - K-type Linkage Blade LB HI-LIFT - High Lift Arm w Large Bucket HI-LIFT - High Lift Arm S HI-LIFT - Super High Lift Arm
 SU - Semi-U Dozer PAT - Power Angle Power Tilt MP - Multi-Purpose

KOMATSU

Replacement Kits For

KOMATSU

Loaders - Wheel								
APPLICATION	CYL #	SERIAL #	Misc	CODE	ROD	BORE	KIT #	List \$
MODEL WA800-3								
STEERING	707-01-16181	50001-		P-UB-14	100 mm	160 mm	KOM-707-99-66210	407.51
	707-01-16191	50001-		P-UB-14	100 mm	160 mm	KOM-707-99-66210	407.51
MODEL WA900-1								
DUMP	707-01-03210	10001-		P-UB-14	180 mm	300 mm	KOM-707-99-96200	2137.69
LIFT	707-01-01010	10001-		P-UB-14	160 mm	260 mm	KOM-707-99-85900	1329.03
STEERING	707-01-16181	10001-		P-UB-14	100 mm	160 mm	KOM-707-99-66210	407.51
	707-01-16191	10001-		P-UB-14	100 mm	160 mm	KOM-707-99-66210	407.51
MODEL WA900-3								
DUMP	707-01-03212	50001-		P-UB-14	180 mm	300 mm	KOM-707-99-96200	2137.69
LIFT	707-01-03011	50001-		P-UB-14	160 mm	260 mm	KOM-707-99-85900	1329.03
STEERING	707-01-16181	50001-		P-UB-14	100 mm	160 mm	KOM-707-99-66210	407.51
	707-01-16191	50001-		P-UB-14	100 mm	160 mm	KOM-707-99-66210	407.51
MODEL WA900-3E0								
DUMP	707-01-02492	60001-60077	High Lift	P-UB-14	180 mm	300 mm	KOM-707-99-96200	2137.69
	707-01-02492	60001-60077	High Lift	Bushing	180 mm		KOM-707-52-91550	191.46
	707-01-02492	60078-	High Lift	P-UB-14	180 mm	300 mm	KOM-707-99-96200	2137.69
	707-01-02492	60078-	High Lift	Bushing	180 mm		KOM-707-52-91551	191.46
	707-01-03212	60001-60077		P-UB-14	180 mm	300 mm	KOM-707-99-96200	2137.69
	707-01-03212	60001-60077		Bushing	180 mm		KOM-707-52-91550	191.46
	707-01-03212	60078-		P-UB-14	180 mm	300 mm	KOM-707-99-96200	2137.69
	707-01-03212	60078-		Bushing	180 mm		KOM-707-52-91551	191.46
LIFT	707-01-02091	60001-60077	High Lift	P-UB-14	160 mm	260 mm	KOM-707-99-85900	1329.03
	707-01-02091	60001-60077	High Lift	Bushing	160 mm		KOM-707-52-11610	144.82
	707-01-02091	60078-	High Lift	P-UB-14	160 mm	260 mm	KOM-707-99-85900	1329.03
	707-01-02091	60078-	High Lift	Bushing	160 mm		KOM-707-52-11611	144.82
	707-01-03011	60001-60077		P-UB-14	160 mm	260 mm	KOM-707-99-85900	1329.03
	707-01-03011	60001-60077		Bushing	160 mm		KOM-707-52-11610	144.82
	707-01-03011	60078-		P-UB-14	160 mm	260 mm	KOM-707-99-85900	1329.03
	707-01-03011	60078-		Bushing	160 mm		KOM-707-52-11611	144.82
STEERING LH	707-01-16181	60001-60077		P-UB-14	100 mm	160 mm	KOM-707-99-66210	407.51
	707-01-16181	60001-60077		Bushing	100 mm		KOM-707-52-11010	71.72
	707-01-16181	60078-		P-UB-14	100 mm	160 mm	KOM-707-99-66210	407.51
	707-01-16181	60078-		Bushing	100 mm		KOM-707-52-11011	71.72
STEERING RH	707-01-16191	60001-60077		P-UB-14	100 mm	160 mm	KOM-707-99-66210	407.51
	707-01-16191	60001-60077		Bushing	100 mm		KOM-707-52-11010	71.72
	707-01-16191	60078-		P-UB-14	100 mm	160 mm	KOM-707-99-66210	407.51
	707-01-16191	60078-		Bushing	100 mm		KOM-707-52-11011	71.72
MODEL WA900-3LC								
DUMP	707-01-02492	A50001-	High Lift	P-UB-14	180 mm	300 mm	KOM-707-99-96200	2137.69
	707-01-02492	A50001-	High Lift	Bushing	180 mm		KOM-707-52-91550	191.46
	707-01-03212	A50001-		P-UB-14	180 mm	300 mm	KOM-707-99-96200	2137.69
	707-01-03212	A50001-		Bushing	180 mm		KOM-707-52-91550	191.46
LIFT	707-01-02091	A50001-	High Lift	P-UB-14	160 mm	260 mm	KOM-707-99-85900	1329.03
	707-01-02091	A50001-	High Lift	Bushing	160 mm		KOM-707-52-11610	144.82
	707-01-03011	A50001-		P-UB-14	160 mm	260 mm	KOM-707-99-85900	1329.03
	707-01-03011	A50001-		Bushing	160 mm		KOM-707-52-11610	144.82
STEERING LH	707-01-16181	A50001-		P-UB-14	100 mm	160 mm	KOM-707-99-66210	407.51
	707-01-16181	A50001-		Bushing	100 mm		KOM-707-52-11010	71.72
STEERING RH	707-01-16191	A50001-		P-UB-14	100 mm	160 mm	KOM-707-99-66210	407.51
	707-01-16191	A50001-		Bushing	100 mm		KOM-707-52-11010	71.72
MODEL WA900L-3								
DUMP	707-01-02492	52001-	High Lift	P-UB-14	180 mm	300 mm	KOM-707-99-96200	2137.69
	707-01-02492	52001-	High Lift	Bushing	180 mm		KOM-707-52-91550	191.46
	707-01-03212	52001-		P-UB-14	180 mm	300 mm	KOM-707-99-96200	2137.69
	707-01-03212	52001-		Bushing	180 mm		KOM-707-52-91550	191.46

LT - Large size tire L/S - Loading Shovel SLF - Super Long Front B/H - Backhoe HD - Heavy Duty L BUCKET - Large Bucket
 K-LINK - K-type Linkage Blade LB HI-LIFT - High Lift Arm w Large Bucket HI-LIFT - High Lift Arm S HI-LIFT - Super High Lift Arm
 SU - Semi-U Dozer PAT - Power Angle Power Tilt MP - Mulit-Purpose

FORMERLY LISTED REPAIR PARTS ARE AVAILABLE ONLINE AT WWW.HERCULESCA.CA
 OR BY CONTACTING YOUR REGIONAL HERCULES SALES TEAM.

Replacement Kits For

KOMATSU

Loaders - Wheel								
APPLICATION	CYL #	SERIAL #	Misc	CODE	ROD	BORE	KIT #	List \$
MODEL WA900L-3								
LIFT	707-01-02091	52001-	High Lift	P-UB-14	160 mm	260 mm	KOM-707-99-85900	1329.03
	707-01-02091	52001-	High Lift	Bushing	160 mm		KOM-707-52-11610	144.82
	707-01-07580	52001-		P-UB-14	160 mm	260 mm	KOM-707-99-85900	1329.03
	707-01-07580	52001-		Bushing	160 mm		KOM-707-52-11610	144.82
STEERING LH	707-01-07610	52001-		P-UB-14	100 mm	160 mm	KOM-707-99-66210	407.51
	707-01-07610	52001-		Bushing	100 mm		KOM-707-52-11010	71.72
STEERING RH	707-01-07620	52001-		P-UB-14	100 mm	160 mm	KOM-707-99-66210	407.51
	707-01-07620	52001-		Bushing	100 mm		KOM-707-52-11010	71.72
Motor Graders								
APPLICATION	CYL #	SERIAL #	Misc	CODE	ROD	BORE	KIT #	List \$
MODEL GD200A-1								
SCARIFIER	237-63-32500	2001-		P-U-14	40 mm	80 mm	KOM-707-98-22120	166.64
MODEL GD461A-1								
ARTICULATE	23E-63-62101	10001-		P-U-10	40 mm	70 mm	KOM-707-98-14410	166.65
BLADE SHIFT	23E-63-42101	10001-		P-U-10	40 mm	60 mm	KOM-707-98-14040	155.67
DRAWBAR SHIFT	23D-63-22300	10001-		P-U-10	35 mm	60 mm	KOM-707-98-12120	117.04
STEERING	23E-63-72300	10001-		P-U-10	25 mm	60 mm	KOM-707-98-11380	105.80
MODEL GD663A-1								
STEERING	23B-63-72302	30001-		P-U-10	35 mm	50 mm	KOM-707-98-05410	122.67
MODEL GD705A-4								
BLADE LIFT	234-63-13001	31001-		P-U-14	55 mm	90 mm	KOM-707-98-26600	201.50
DRAWBAR SHIFT	234-63-23001	31001-		P-U-14	55 mm	90 mm	KOM-707-98-26600	201.50
LEANING	234-63-53002	31001-		P-U-14	45 mm	90 mm	KOM-707-98-24530	222.47
POWER TILT	234-63-28100	31001-		P-U-14	50 mm	100 mm	KOM-707-99-32010	207.59
RIPPER	234-63-25001	31001-		P-U-14	70 mm	140 mm	KOM-707-98-52100	383.49
MODEL GD825A-2								
ARTICULATE	235-63-63000	11001-		P-U-14	65 mm	120 mm	KOM-707-98-41110	313.83
BLADE SHIFT	235-63-16100	11001-		P-U-14	65 mm	100 mm	KOM-707-98-36230	184.63
BLADE SIDE SHIFT	235-63-42000	11001-		P-U-14	65 mm	100 mm	KOM-707-98-36140	140.28
DRAWBAR SHIFT	235-63-22000	11001-		P-U-14	60 mm	100 mm	KOM-707-98-35110	189.42
POWER TILT	235-63-28000	11001-		P-U-14	65 mm	120 mm	KOM-707-98-42100	239.70
RIPPER	235-63-25200	11001-		P-U-14	70 mm	140 mm	KOM-707-98-52100	383.49
STEERING	235-63-76400	11001-		P-U-14	40 mm	60 mm	KOM-707-98-14030	132.68
Off-Highway Trucks								
APPLICATION	CYL #	SERIAL #	Misc	CODE	ROD	BORE	KIT #	List \$
MODEL 830								
HOIST	EJ6695				7, 10-1/2, 13	9-1/2, 11-1/2, 14	KOM-AK4892	3658.70
STEERING				P-U-14	3	6	KOM-AK4370	487.44
SUSPENSION FRONT	EJ6895	AF050-BU		I-UB-1	14		KOM-AK4441	2512.89
SUSPENSION REAR	EH9424			I-UB-1	12		KOM-AK4446	1440.50
MODEL 830E								
STEERING	TY7272			P-U-10	3	6	KOM-AK7283	134.41
	TY9935			P-U-10	3	6	KOM-AK7283	134.41
MODEL 930								
SUSPENSION REAR	EH9424	AFE50-AN		I-UB-1	12		KOM-AK4446	1440.50
MODEL 930E-4								
HOIST		A30462-A30464; A30472; A30477- A30480; A30490- A30493; A30496		I-UB-10	7, 10-1/2, 13	9-1/2, 11-3/4, 14	KOM-AK4773	3732.27
STEERING		A30462-A30464; A30472; A30477- A30480; A30490- A30493; A30496		P-U-14	3-1/4	6-1/2	KOM-AK4307	624.36

LT - Large size tire L/S - Loading Shovel SLF - Super Long Front B/H - Backhoe HD - Heavy Duty L BUCKET - Large Bucket
 K-LINK - K-type Linkage Blade LB HI-LIFT - High Lift Arm w Large Bucket HI-LIFT - High Lift Arm S HI-LIFT - Super High Lift Arm
 SU - Semi-U Dozer PAT - Power Angle Power Tilt MP - Mult-Purpose

KOMATSU

Replacement Kits For

Off-Highway Trucks								
APPLICATION	CYL #	SERIAL #	Misc	CODE	ROD	BORE	KIT #	List \$
MODEL 930E-4								
SUSPENSION FRONT		A30462-A30464; A30472; A30477- A30480; A30490- A30493; A30496		I-UB-1	15-3/4		KOM-AK4308	3472.01
SUSPENSION REAR		A30462-A30464; A30472; A30477- A30480; A30490- A30493; A30496		I-UB-1	14		KOM-AK5239	1662.37
MODEL HD205-3								
STEERING	567-63-12600	1003-		P-U-14	40 mm	60 mm	KOM-707-98-14200	102.28
MODEL HD325-3								
STEERING	566-63-11500	1501-		P-U-14	60 mm	80 mm	KOM-707-98-27100	187.30
MODEL HD325-5								
STEERING	566-63-11500	2001-		P-U-14	60 mm	80 mm	KOM-707-98-27100	187.30
MODEL HD465-3								
STEERING	569-63-41203	2001-		P-U-14	60 mm	80 mm	KOM-707-98-27100	187.30
STEERING (LT)	569-63-41303	2001-		P-U-14	60 mm	80 mm	KOM-707-98-27100	187.30
MODEL HD785-3								
STEERING	561-63-61102	2001-		P-U-14	70 mm	110 mm	KOM-707-98-37570	229.90
MODEL HD785-5								
STEERING	561-63-61102	4001-		P-U-14	70 mm	110 mm	KOM-707-98-37570	229.90
MODEL HD985-3								
STEERING	585-63-11100	1001-		P-U-14	70 mm	110 mm	KOM-707-98-37570	229.90
	585-63-11100	1021-		P-U-14	70 mm	110 mm	KOM-707-98-37570	229.90
MODEL HD1200M-1								
TAILGATE	566-63-41001			P-U-14	75 mm	140 mm	KOM-707-98-53100	369.61
	568-63-12101			P-U-14	75 mm	140 mm	KOM-707-98-53100	369.61
Wheel Dozers								
APPLICATION	CYL #	SERIAL #	Misc	CODE	ROD	BORE	KIT #	List \$
MODEL WD600-3								
LIFT	707-01-02030	50001-		P-U-14	90 mm	160 mm	KOM-707-99-64050	194.10
	707-01-02030	50001-		Bushing	90 mm		KOM-707-52-10910	53.65
	707-01-08240	50001-		P-U-14	90 mm	160 mm	KOM-707-99-64050	194.10
	707-01-08240	50001-		Bushing	90 mm		KOM-707-52-10910	53.65
STEERING	707-01-XE630	50001-		P-UB-14	75 mm	140 mm	KOM-707-99-53160	174.60
TILT AND PITCH	707-01-02760	50001-		P-UB-14	90 mm	180 mm	KOM-707-99-64520	228.37
	707-01-08310	50001-		P-UB-14	90 mm	180 mm	KOM-707-99-64520	228.37

KOMATSU

LT - Large size tire L/S - Loading Shovel SLF - Super Long Front B/H - Backhoe HD - Heavy Duty L BUCKET - Large Bucket
 K-LINK - K-type Linkage Blade LB HI-LIFT - High Lift Arm w Large Bucket HI-LIFT - High Lift Arm S HI-LIFT - Super High Lift Arm
 SU - Semi-U Dozer PAT - Power Angle Power Tilt MP - Mult-Purpose

FORMERLY LISTED REPAIR PARTS ARE AVAILABLE ONLINE AT WWW.HERCULESCA.CA
 OR BY CONTACTING YOUR REGIONAL HERCULES SALES TEAM.

REPLACEMENT KITS FOR KOMATSU CONSTRUCTION EQUIPMENT

KOMATSU

Kit Number	Code (Pg. xiv)	Rod X Bore Size	List Price
KOM-101-63-02010K	P-U-14	35 X 70 mm	\$50.24
KOM-101-63-02030K	P-U-14	35 X 70 mm	50.24
KOM-101-63-02040K	P-U-10	40 X 80 mm	56.11
KOM-101-63-02130K	P-U-14	35 X 70 mm	58.75
KOM-101-63-02140K	P-U-14	35 X 70 mm	58.75
KOM-10G-63-02010K	P-U-10	35 X 50 mm	96.33
KOM-10G-63-02020K	P-U-10	35 X 50 mm	96.33
KOM-114-63-05030	P-U-14	40 X 90 mm	138.48
KOM-12F-63-05020	P-U-14	45 X 70 mm	128.82
KOM-12F-63-05060	P-U-14	50 X 100 mm	214.48
KOM-130-63-05020	P-U-5	55 X 90 mm	178.82
KOM-131-63-05020	P-U-5	65 X 130 mm	298.36
KOM-131-63-05040	P-U-5	65 X 140 mm	460.47
KOM-135-63-05020	P-U-14	65 X 140 mm	386.71
KOM-135-63-05060	P-U-14	70 X 150 mm	265.11
KOM-141-63-05010	P-U-14	60 X 140 mm	280.82
KOM-141-63-05050	P-U-14	75 X 160 mm	318.61
KOM-144-60-00050K	P-U-10	65 X 110 mm	225.81
KOM-144-63-05020	P-N-14	65 X 110 mm	199.80
KOM-144-63-05050	P-U-14	65 X 110 mm	265.80
KOM-144-63-05080	P-U-14	70 X 160 mm	244.46
KOM-144-63-12200K	P-U-5	65 X 110 mm	327.60
KOM-144-63-52100K	P-U-5	70 X 160 mm	460.02
KOM-175-63-05140	P-U-14	90 X 225 mm	485.32
KOM-195-63-05120	P-U-5,14	90 X 160 mm	379.78
KOM-195-63-05130	P-U-5	90 X 160 mm	321.91
KOM-205-63-02140K	P-UB-14	85 X 125 mm	258.14
KOM-205-63-94100K	P-U-14	80 X 130 mm	82.75
KOM-205-63-K1360K	P-UB-14	85 X 120 mm	284.56
KOM-205-63-K1361K	P-UB-14	85 X 120 mm	284.56
KOM-205-63-K1370K	P-UB-14	110 X 160 mm	455.45
KOM-206-63-K1240K	P-UB-14	95 X 135 mm	266.47
KOM-206-63-K1250K	P-UB-14	95 X 135 mm	266.47
KOM-206-63-K1610K	P-UB-14	110 X 150 mm	319.56
KOM-206-63-K1721K	P-UB-14	100 X 140 mm	253.54
KOM-206-63-K1911K	P-UB-14	100 X 140 mm	389.92
KOM-206-63-K1980K	P-UB-14	100 X 140 mm	252.42
KOM-206-63-K2120K	P-UB-14	95 X 135 mm	262.05
KOM-206-63-K2150K	P-UB-14	120 X 185 mm	557.51
KOM-207-63-K1230K	P-UB-14	100 X 140 mm	243.80
KOM-209-63-07010K	P-U-14	85 X 130 mm	133.15
KOM-20E-63-03240K	P-UB-14	70 X 105 mm	188.54
KOM-20E-63-K2500K	P-UB-14	70 X 140 mm	150.50
KOM-20G-63-03240K	P-UB-14	85 X 120 mm	193.80
KOM-20G-63-K1110K	P-UB-14	100 X 160 mm	458.28
KOM-20G-63-K1410K	P-UB-14	85 X 120 mm	184.89
KOM-20U-63-02050K	P-U-14	60 X 100 mm	87.54
KOM-20U-63-02051K	P-U-14	60 X 100 mm	87.54
KOM-21D-61-13160	P-UB-14	60 X 90 mm	258.39
KOM-21D-61-14140	P-UB-14	60 X 100 mm	341.11
KOM-21P-63-03120K	P-UB-14	85 X 120 mm	194.85
KOM-21P-63-03130K	P-UB-14	70 X 105 mm	187.24
KOM-21P-63-03200K	P-UB-14	75 X 110 mm	126.97

Kit Number	Code (Pg. xiv)	Rod X Bore Size	List Price
KOM-21P-63-K1611K	P-UB-14	75 X 110 mm	\$121.67
KOM-21P-63-K1711K	P-UB-14	85 X 120 mm	267.89
KOM-21P-63-K1821K	P-UB-14	75 X 110 mm	168.89
KOM-21P-63-K3600K	P-UB-12	70 X 105 mm	228.02
KOM-21S-63-02050K	P-U-10	25 X 50 mm	101.08
KOM-21S-63-02131K	P-U-10	25 X 50 mm	141.88
KOM-21W-63-02220K	P-U-14	60 X 100 mm	90.60
KOM-21W-63-02221K	P-U-14	60 X 100 mm	90.60
KOM-2938-6C-1290	P-UB-14	50 X 90 mm	127.01
KOM-2938-6C-1480	P-UB-14	45 X 70 mm	104.80
KOM-418-62-05000	P-U-14	70 X 130 mm	109.77
KOM-418-63-05000	P-U-14	75 X 150 mm	193.65
KOM-419-63-H0P12	P-U-14	40 X 70 mm	196.90
KOM-421-63-H0P05	P-UB-14	100 X 200 mm	687.45
KOM-423-63-H2P07	P-U-14	90 X 160 mm	161.85
KOM-423-63-H3P07	P-U-14	90 X 180 mm	217.27
KOM-42N-6C-13330	P-UB-10	40 X 70 mm	71.79
KOM-42N-6C-13340	P-UB-14	40 X 70 mm	97.96
KOM-42N-879-1980	I-SP-10	18 X 30 mm	59.28
KOM-42T-63-H0P01	P-UB-10	45 X 80 mm	153.07
KOM-42T-63-H0P18	P-UB-14	50 X 95 mm	170.85
KOM-42T-63-H0P52	P-U-10	35 X 70 mm	145.00
KOM-42T-63-H0P61	P-U-10	50 X 95 mm	186.14
KOM-42T-63-H0P70	P-U-10	50 X 85 mm	162.08
KOM-42U-63-H0P12	P-U-10	35 X 70 mm	69.17
KOM-42U-63-H0P43	P-U-10	50 X 85 mm	249.73
KOM-42U-63-H0P56	P-U-10	50 X 95 mm	128.10
KOM-42U-63-H0P67	P-U-10	35 X 70 mm	72.87
KOM-569-63-41100K	P-U-14	60 X 120 mm	69.04
KOM-56B-50-13002K	P-U-1	140 X 180 mm	366.46
KOM-56B-50-13003K	P-UB-1	140 X 180 mm	556.38
KOM-56B-50-13004K	P-UB-1	140 X 180 mm	556.38
KOM-56B-50-13005K	P-UB-1	140 X 180 mm	556.38
KOM-56B-50-14000K	P-U-1	140 X 180 mm	366.46
KOM-56B-50-14001K	P-UB-1	140 X 180 mm	556.38
KOM-56B-50-14002K	P-UB-1	140 X 180 mm	556.38
KOM-56B-50-14003K	P-UB-1	140 X 180 mm	556.38
KOM-56B-50-16100K	P-U-1	140 X 180 mm	366.46
KOM-56B-50-16101K	P-UB-1	140 X 180 mm	556.38
KOM-56B-50-16102K	P-UB-1	140 X 180 mm	556.38
KOM-56B-50-16103K	P-UB-1	140 X 180 mm	556.38
KOM-56B-50-16201K	P-UB-1	140 X 180 mm	556.38
KOM-56B-50-16202K	P-UB-1	140 X 180 mm	556.38
KOM-56B-50-16203K	P-UB-1	140 X 180 mm	556.38
KOM-56B-50-33000K	P-UB-1	160 mm	483.75
KOM-56B-50-34000K	P-UB-1	110 X 150 mm	327.43
KOM-56B-50-35000K	P-UB-1	160 mm	483.75
KOM-56D-50-13100K	P-U-1	110 X 150 mm	130.71
KOM-56D-50-13101K	P-UB-1	110 X 150 mm	137.41
KOM-56D-50-13102K	P-UB-1	110 X 150 mm	320.75
KOM-56D-50-13103K	P-UB-1	110 X 150 mm	320.75
KOM-56D-50-14100K	P-U-1	110 X 150 mm	130.71
KOM-56D-50-14101K	P-UB-1	110 X 150 mm	137.41

REPLACEMENT KITS FOR KOMATSU CONSTRUCTION EQUIPMENT

Kit Number	Code (Pg. xiv)	Rod X Bore Size	List Price	Kit Number	Code (Pg. xiv)	Rod X Bore Size	List Price
KOM-56D-50-14102K	P-UB-1	110 X 150 mm	\$320.75	KOM-707-98-12550	P-U-14	35 X 70 mm	\$110.75
KOM-56D-50-14103K	P-UB-1	110 X 150 mm	320.75	KOM-707-98-12600	P-U-14	35 X 70 mm	110.91
KOM-56D-50-26100K	P-UB-1	110 X 150 mm	320.75	KOM-707-98-12660	P-U-14	35 X 70 mm	90.19
KOM-56D-50-26200K	P-UB-1	110 X 150 mm	320.75	KOM-707-98-12670	P-U-14	40 X 70 mm	89.78
KOM-56D-50-33000K	P-UB-1	110 X 150 mm	320.75	KOM-707-98-12700	P-U-10	35 X 70 mm	135.46
KOM-56D-50-34000K	P-UB-1	110 X 150 mm	320.75	KOM-707-98-12740	P-U-14	35 X 70 mm	59.88
KOM-56D-50-35000K	P-UB-1	110 X 150 mm	320.75	KOM-707-98-12750	P-U-14	35 X 70 mm	50.23
KOM-707-00-02460K	P-U-10	20 X 35 mm	66.90	KOM-707-98-12760	P-U-14	35 X 70 mm	58.52
KOM-707-01-02670K	P-UB-14	130 X 200 mm	423.06	KOM-707-98-13220	P-U-14	35 X 60 mm	65.69
KOM-707-01-0H680K	P-UB-14	90 X 130 mm	203.00	KOM-707-98-13420	P-U-14	35 X 70 mm	48.96
KOM-707-01-0H710K	P-UB-14	90 X 130 mm	196.00	KOM-707-98-13610	P-U-14	35 X 70 mm	36.19
KOM-707-01-0H850K	P-UB-14	95 X 135 mm	241.31	KOM-707-98-13700	P-U-14	40 X 70 mm	162.76
KOM-707-01-0H920K	P-UB-14	90 X 130 mm	196.00	KOM-707-98-13850	P-U-14	35 X 65 mm	50.14
KOM-707-98-02420	P-U-10	25 X 45 mm	121.08	KOM-707-98-13890	P-U-14	35 X 65 mm	51.43
KOM-707-98-03530	P-U-10	25 X 50 mm	117.06	KOM-707-98-13960	P-U-14	35 X 55 mm	43.94
KOM-707-98-04400	P-U-10	30 X 50 mm	85.78	KOM-707-98-13990	P-U-14	35 X 55 mm	123.54
KOM-707-98-04500	P-U-10	30 X 50 mm	133.28	KOM-707-98-14030	P-U-14	40 X 60 mm	132.68
KOM-707-98-04590	P-U-14	30 X 50 mm	108.38	KOM-707-98-14040	P-U-10	40 X 60 mm	155.67
KOM-707-98-04600	P-U-14	30 X 50 mm	113.08	KOM-707-98-14200	P-U-14	40 X 60 mm	102.28
KOM-707-98-04610	P-U-14	30 X 50 mm	43.03	KOM-707-98-14240	P-U-14	40 X 60 mm	132.68
KOM-707-98-04640	P-U-14	30 X 50 mm	113.08	KOM-707-98-14350	P-U-14	40 X 65 mm	104.11
KOM-707-98-04730	P-U-14	30 X 55 mm	97.95	KOM-707-98-14410	P-U-10	40 X 70 mm	166.65
KOM-707-98-05410	P-U-10	35 X 50 mm	122.67	KOM-707-98-14430	P-U-14	40 X 70 mm	129.71
KOM-707-98-05420	P-U-10	35 X 50 mm	110.09	KOM-707-98-14600	P-U-14	40 X 70 mm	129.60
KOM-707-98-05460	P-U-10	35 X 50 mm	95.11	KOM-707-98-14610	P-U-14	40 X 70 mm	89.78
KOM-707-98-06010	P-U-1	40 mm Rod Kit	39.70	KOM-707-98-14700	P-U-14	40 X 70 mm	129.60
KOM-707-98-11020	P-U-10	30 X 60 mm	82.22	KOM-707-98-14710	P-U-10	40 X 70 mm	152.94
KOM-707-98-11070	P-U-10	30 X 60 mm	117.94	KOM-707-98-14770	P-U-14	40 X 70 mm	61.52
KOM-707-98-11090	P-U-10	30 X 60 mm	129.71	KOM-707-98-14830	P-U-14	40 X 65 mm	64.00
KOM-707-98-11310	P-U-14	30 X 60 mm	62.50	KOM-707-98-14910	P-U-14	40 X 65 mm	64.06
KOM-707-98-11350	P-U-3	30 X 60 mm	83.27	KOM-707-98-14930	P-U-14	40 X 65 mm	133.01
KOM-707-98-11380	P-U-10	25 X 60 mm	105.80	KOM-707-98-15410	P-U-10	45 X 70 mm	127.77
KOM-707-98-12020	P-U-10	35 X 60 mm	113.91	KOM-707-98-15610	P-U-14	45 X 70 mm	119.71
KOM-707-98-12080	P-U-10	35 X 60 mm	135.42	KOM-707-98-15650	P-U-14	45 X 70 mm	129.08
KOM-707-98-12100	P-U-14	35 X 60 mm	113.68	KOM-707-98-15690	P-U-14	45 X 70 mm	66.02
KOM-707-98-12110	P-U-14	35 X 60 mm	116.05	KOM-707-98-15700	P-U-14	45 X 70 mm	135.59
KOM-707-98-12120	P-U-10	35 X 60 mm	117.04	KOM-707-98-15720	P-U-14	45 X 70 mm	190.11
KOM-707-98-12130	P-U-10	35 X 60 mm	133.46	KOM-707-98-15740	P-U-14	45 X 70 mm	66.18
KOM-707-98-12150	P-U-10	35 X 60 mm	135.03	KOM-707-98-15760	P-U-14	45 X 70 mm	72.08
KOM-707-98-12160	P-U-10	35 X 60 mm	142.35	KOM-707-98-15770	P-U-14	45 X 70 mm	72.08
KOM-707-98-12200	P-U-14	35 X 60 mm	113.68	KOM-707-98-15780	P-U-14	45 X 70 mm	53.57
KOM-707-98-12211	P-U-14	35 X 65 mm	185.82	KOM-707-98-22010	P-U-10	40 X 80 mm	128.58
KOM-707-98-12310	P-U-14	35 X 60 mm	87.85	KOM-707-98-22020	P-U-14	40 X 80 mm	76.90
KOM-707-98-12320	P-U-14	35 X 60 mm	60.38	KOM-707-98-22030	P-U-14	40 X 80 mm	180.78
KOM-707-98-12330	P-U-14	35 X 60 mm	87.85	KOM-707-98-22040	P-U-14	40 X 80 mm	166.64
KOM-707-98-12410	P-U-14	35 X 70 mm	89.78	KOM-707-98-22060	P-U-10	40 X 80 mm	138.54
KOM-707-98-12440	P-U-14	35 X 70 mm	110.50	KOM-707-98-22080	P-U-10	40 X 80 mm	171.61
KOM-707-98-12450	P-U-10	35 X 70 mm	144.15	KOM-707-98-22100	P-U-14	40 X 80 mm	169.73
KOM-707-98-12470	P-U-14	35 X 70 mm	118.35	KOM-707-98-22110	P-U-14	40 X 80 mm	158.44
KOM-707-98-12490	P-U-10	35 X 70 mm	147.75	KOM-707-98-22120	P-U-14	40 X 80 mm	166.64
KOM-707-98-12510	P-U-10	35 X 70 mm	161.85	KOM-707-98-22140	P-U-10	40 X 80 mm	67.00
KOM-707-98-12520	P-U-10	35 X 70 mm	143.35	KOM-707-98-22150	P-U-14	40 X 80 mm	85.29
KOM-707-98-12530	P-U-10	35 X 70 mm	142.35	KOM-707-98-22180	P-U-14	40 X 80 mm	82.60

FORMERLY LISTED REPAIR PARTS ARE AVAILABLE ONLINE AT WWW.HERCULESCA.CA
OR BY CONTACTING YOUR REGIONAL HERCULES SALES TEAM.

REPLACEMENT KITS FOR KOMATSU CONSTRUCTION EQUIPMENT

Kit Number	Code (Pg. xiv)	Rod X Bore Size	List Price
KOM-707-98-22200	P-U-14	40 X 75 mm	\$189.14
KOM-707-98-22290	P-U-10	40 X 80 mm	65.43
KOM-707-98-22410	P-U-10	40 X 90 mm	145.12
KOM-707-98-22420	P-U-10	40 X 90 mm	145.12
KOM-707-98-22430	P-U-14	40 X 90 mm	149.23
KOM-707-98-22500	P-U-14	40 X 90 mm	148.31
KOM-707-98-22820	P-U-14	40 X 75 mm	66.72
KOM-707-98-22850	P-U-14	40 X 75 mm	59.25
KOM-707-98-22890	P-U-14	40 X 75 mm	83.27
KOM-707-98-22910	P-U-14	40 X 85 mm	103.17
KOM-707-98-23030	P-U-10	40 X 80 mm	101.22
KOM-707-98-23070	P-U-10	40 X 80 mm	65.43
KOM-707-98-23100	P-U-14	40 X 80 mm	67.17
KOM-707-98-23130	P-U-14	40 X 80 mm	135.73
KOM-707-98-23810	P-U-14	45 X 75 mm	91.22
KOM-707-98-23860	P-U-14	45 X 75 mm	87.50
KOM-707-98-23870	P-U-14	45 X 75 mm	91.30
KOM-707-98-23880	P-UB-14	45 X 75 mm	218.71
KOM-707-98-23890	P-U-14	45 X 75 mm	84.01
KOM-707-98-24040	P-U-14	45 X 80 mm	169.12
KOM-707-98-24050	P-U-5	45 X 80 mm	159.97
KOM-707-98-24060	P-U-10	45 X 80 mm	161.63
KOM-707-98-24070	P-U-10	45 X 80 mm	65.65
KOM-707-98-24150	P-U-14	45 X 80 mm	162.36
KOM-707-98-24170	P-U-14	45 X 80 mm	86.64
KOM-707-98-24210	P-UB-14	45 X 75 mm	248.44
KOM-707-98-24281	P-U-14	45 X 80 mm	90.74
KOM-707-98-24330	P-U-14	45 X 80 mm	96.73
KOM-707-98-24430	P-U-14	45 X 90 mm	205.35
KOM-707-98-24500	P-U-14	45 X 90 mm	152.68
KOM-707-98-24510	P-U-14	45 X 85 mm	170.76
KOM-707-98-24520	P-U-14	45 X 90 mm	152.91
KOM-707-98-24530	P-U-14	45 X 90 mm	222.47
KOM-707-98-24550	P-U-14	45 X 90 mm	98.36
KOM-707-98-24600	P-U-14	45 X 90 mm	226.42
KOM-707-98-24610	P-U-14	45 X 95 mm	79.23
KOM-707-98-24700	P-U-14	45 X 90 mm	68.45
KOM-707-98-24710	P-U-14	45 X 90 mm	55.65
KOM-707-98-24720	P-U-14	45 X 90 mm	57.90
KOM-707-98-24770	P-U-14	45 X 95 mm	79.30
KOM-707-98-24800	P-U-14	45 X 90 mm	77.99
KOM-707-98-24820	P-U-14	45 X 75 mm	88.45
KOM-707-98-24830	P-U-14	45 X 75 mm	77.25
KOM-707-98-24890	P-U-14	45 X 75 mm	228.07
KOM-707-98-24910	P-U-14	45 X 85 mm	93.46
KOM-707-98-24920	P-U-14	45 X 85 mm	172.81
KOM-707-98-24930	P-U-14	45 X 85 mm	104.86
KOM-707-98-25030	P-U-14	50 X 80 mm	177.09
KOM-707-98-25040	P-U-14	50 X 80 mm	238.31
KOM-707-98-25050	P-U-5	50 X 80 mm	167.60
KOM-707-98-25060	P-U-5	50 X 80 mm	235.46
KOM-707-98-25070	P-U-14	50 X 80 mm	180.41
KOM-707-98-25090	P-U-14	50 X 80 mm	108.61

Kit Number	Code (Pg. xiv)	Rod X Bore Size	List Price
KOM-707-98-25110	P-UB-14	50 X 80 mm	\$87.66
KOM-707-98-25170	P-U-14	50 X 80 mm	242.75
KOM-707-98-25250	P-U-14	50 X 80 mm	120.07
KOM-707-98-25350	P-U-14	50 X 80 mm	120.21
KOM-707-98-25430	P-U-14	50 X 90 mm	199.88
KOM-707-98-25500	P-U-14	50 X 90 mm	216.25
KOM-707-98-25510	P-U-14	50 X 90 mm	239.81
KOM-707-98-25520	P-UB-14	50 X 90 mm	226.83
KOM-707-98-25560	P-U-14	50 X 90 mm	109.98
KOM-707-98-25600	P-U-14	50 X 90 mm	180.58
KOM-707-98-25610	P-U-14	50 X 95 mm	180.03
KOM-707-98-25620	P-U-14	50 X 90 mm	114.75
KOM-707-98-25700	P-U-14	50 X 90 mm	110.09
KOM-707-98-25710	P-U-14	50 X 90 mm	104.02
KOM-707-98-25750	P-U-14	50 X 90 mm	110.11
KOM-707-98-25760	P-U-14	50 X 90 mm	119.92
KOM-707-98-25780	P-U-14	50 X 90 mm	89.45
KOM-707-98-25820	P-U-14	50 X 85 mm	140.55
KOM-707-98-25830	P-U-14	50 X 85 mm	140.39
KOM-707-98-25870	P-U-14	50 X 85 mm	225.37
KOM-707-98-25910	P-U-14	50 X 75 mm	107.88
KOM-707-98-25920	P-U-14	50 X 75 mm	73.55
KOM-707-98-25970	P-U-14	50 X 75 mm	108.09
KOM-707-98-25980	P-U-14	50 X 75 mm	113.99
KOM-707-98-26070	P-U-14	45 X 80 mm	97.35
KOM-707-98-26100	P-U-14	55 X 80 mm	133.69
KOM-707-98-26110	P-U-14	55 X 80 mm	145.40
KOM-707-98-26120	P-U-14	55 X 80 mm	147.36
KOM-707-98-26200	P-U-14	50 X 75 mm	103.10
KOM-707-98-26300	P-U-14	50 X 80 mm	120.09
KOM-707-98-26441	P-U-10	55 X 90 mm	162.42
KOM-707-98-26450	P-U-10	55 X 90 mm	346.16
KOM-707-98-26520	P-U-14	55 X 90 mm	134.73
KOM-707-98-26540	P-U-5	55 X 90 mm	128.58
KOM-707-98-26550	P-U-14	55 X 90 mm	129.45
KOM-707-98-26560	P-U-14	55 X 90 mm	224.74
KOM-707-98-26570	P-U-14	55 X 90 mm	128.10
KOM-707-98-26580	P-UB-14	55 X 90 mm	232.93
KOM-707-98-26600	P-U-5	55 X 90 mm	201.50
KOM-707-98-26620	P-U-14	55 X 90 mm	113.81
KOM-707-98-26720	P-U-14	55 X 90 mm	115.12
KOM-707-98-26721	P-U-14	55 X 90 mm	145.71
KOM-707-98-26820	P-U-14	55 X 85 mm	105.28
KOM-707-98-26900	P-U-14	55 X 85 mm	96.34
KOM-707-98-26901	P-U-14	55 X 85 mm	96.61
KOM-707-98-27100	P-U-14	60 X 80 mm	187.30
KOM-707-98-27500	P-U-14	60 X 90 mm	232.78
KOM-707-98-27600	P-UB-14	60 X 90 mm	323.17
KOM-707-98-27620	P-UB-14	60 X 90 mm	221.71
KOM-707-98-28600	P-U-14	65 X 95 mm	278.24
KOM-707-98-28640	P-U-14	65 X 95 mm	168.70
KOM-707-98-29500	P-U-14	50 X 90 mm	170.61
KOM-707-98-29510	P-U-14	50 X 90 mm	119.92

REPLACEMENT KITS FOR KOMATSU CONSTRUCTION EQUIPMENT

Kit Number	Code (Pg. xiv)	Rod X Bore Size	List Price	Kit Number	Code (Pg. xiv)	Rod X Bore Size	List Price
KOM-707-98-29620	P-U-14	50 X 95 mm	\$114.97	KOM-707-98-36560	P-U-14	65 X 110 mm	\$210.92
KOM-707-98-29630	P-U-14	50 X 95 mm	130.82	KOM-707-98-36590	P-U-14	65 X 115 mm	122.77
KOM-707-98-29640	P-U-14	50 X 95 mm	130.82	KOM-707-98-36600	P-U-14	65 X 110 mm	108.90
KOM-707-98-29650	P-U-14	50 X 95 mm	143.78	KOM-707-98-36630	P-U-14	65 X 110 mm	99.29
KOM-707-98-29661	P-U-14	50 X 95 mm	114.83	KOM-707-98-36700	P-U-14	65 X 115 mm	123.84
KOM-707-98-29670	P-U-14	50 X 95 mm	96.07	KOM-707-98-36740	P-U-14	65 X 115 mm	205.49
KOM-707-98-29720	P-U-14	50 X 95 mm	108.36	KOM-707-98-37110	P-UB-14	70 X 100 mm	287.56
KOM-707-98-30550	P-U-14	45 X 95 mm	91.43	KOM-707-98-37130	P-UB-14	70 X 100 mm	235.70
KOM-707-98-30720	P-U-14	55 X 90 mm	75.86	KOM-707-98-37300	P-U-14	70 X 105 mm	201.33
KOM-707-98-32050	P-U-14	50 X 100 mm	194.76	KOM-707-98-37500	P-U-14	70 X 110 mm	246.20
KOM-707-98-32120	P-U-14	50 X 100 mm	235.53	KOM-707-98-37510	P-U-14	70 X 110 mm	148.45
KOM-707-98-32550	P-U-14	50 X 110 mm	117.83	KOM-707-98-37570	P-U-14	70 X 110 mm	229.90
KOM-707-98-32570	P-U-14	50 X 110 mm	117.83	KOM-707-98-37580	P-U-14	70 X 110 mm	92.47
KOM-707-98-32810	P-UB-14	50 X 105 mm	279.78	KOM-707-98-37600	P-U-14	70 X 110 mm	111.03
KOM-707-98-32820	P-U-14	50 X 105 mm	308.60	KOM-707-98-37610	P-U-14	70 X 110 mm	181.05
KOM-707-98-32900	P-U-14	50 X 105 mm	127.62	KOM-707-98-37620	P-UB-14	70 X 105 mm	242.83
KOM-707-98-33010	P-U-10	50 X 100 mm	76.24	KOM-707-98-37670	P-UB-14	70 X 105 mm	187.16
KOM-707-98-33500	P-U-14	50 X 115 mm	116.72	KOM-707-98-37680	P-U-14	70 X 110 mm	179.03
KOM-707-98-34120	P-U-14	55 X 100 mm	156.11	KOM-707-98-37690	P-U-14	70 X 110 mm	73.96
KOM-707-98-34140	P-U-14	55 X 95 mm	123.10	KOM-707-98-38500	P-U-14	75 X 110 mm	238.78
KOM-707-98-34160	P-U-14	55 X 100 mm	110.54	KOM-707-98-38510	P-U-14	75 X 110 mm	251.51
KOM-707-98-34180	P-U-14	55 X 110 mm	108.30	KOM-707-98-38520	P-UB-14	75 X 110 mm	197.59
KOM-707-98-34410	P-U-10	55 X 110 mm	222.54	KOM-707-98-38551	P-UB-14	75 X 110 mm	400.80
KOM-707-98-34460	P-U-14	55 X 110 mm	107.35	KOM-707-98-38600	P-U-14	75 X 110 mm	266.23
KOM-707-98-34520	P-U-14	55 X 110 mm	121.16	KOM-707-98-39610	P-UB-14	80 X 115 mm	260.16
KOM-707-98-34560	P-U-14	55 X 110 mm	117.97	KOM-707-98-39611	P-UB-14	80 X 115 mm	230.52
KOM-707-98-34580	I-U-14	55 X 110 mm	215.03	KOM-707-98-39700	P-U-14	80 X 110 mm	210.07
KOM-707-98-34590	P-U-14	55 X 110 mm	272.18	KOM-707-98-40020	P-U-14	55 X 120 mm	321.34
KOM-707-98-34640	P-U-14	55 X 110 mm	129.99	KOM-707-98-41020	P-U-10	60 X 120 mm	137.43
KOM-707-98-34670	P-U-14	55 X 115 mm	131.56	KOM-707-98-41030	P-U-14	60 X 120 mm	195.50
KOM-707-98-34750	P-U-14	55 X 115 mm	174.82	KOM-707-98-41110	P-U-14	65 X 120 mm	313.83
KOM-707-98-35100	P-U-14	60 X 100 mm	152.36	KOM-707-98-41120	P-U-14	60 X 120 mm	171.08
KOM-707-98-35110	P-U-14	60 X 100 mm	189.42	KOM-707-98-41130	P-U-14	60 X 120 mm	308.85
KOM-707-98-35130	P-U-14	60 X 100 mm	264.00	KOM-707-98-41140	P-U-14	60 X 120 mm	319.94
KOM-707-98-35181	P-U-14	60 X 100 mm	319.70	KOM-707-98-41170	P-U-14	60 X 120 mm	115.09
KOM-707-98-35310	P-U-14	60 X 100 mm	95.01	KOM-707-98-41330	P-U-14	60 X 120 mm	115.21
KOM-707-98-35340	P-UB-14	60 X 100 mm	128.22	KOM-707-98-41350	P-U-14	60 X 120 mm	91.54
KOM-707-98-35510	P-U-14	60 X 110 mm	255.89	KOM-707-98-41380	P-U-14	60 X 120 mm	204.51
KOM-707-98-35520	P-U-14	60 X 110 mm	92.83	KOM-707-98-42100	P-U-14	65 X 120 mm	239.70
KOM-707-98-36100	P-UB-14	65 X 100 mm	226.04	KOM-707-98-42150	P-U-14	65 X 120 mm	101.69
KOM-707-98-36110	P-UB-14	65 X 100 mm	169.12	KOM-707-98-42410	P-U-14	65 X 130 mm	359.75
KOM-707-98-36140	P-U-14	65 X 100 mm	140.28	KOM-707-98-42420	P-U-10	65 X 130 mm	138.77
KOM-707-98-36180	P-U-14	65 X 100 mm	219.80	KOM-707-98-42540	P-U-14	65 X 130 mm	141.00
KOM-707-98-36200	P-UB-14	65 X 95 mm	401.65	KOM-707-98-42700	P-U-14	65 X 130 mm	126.24
KOM-707-98-36210	P-U-14	65 X 95 mm	343.98	KOM-707-98-42720	P-UB-14	65 X 130 mm	97.70
KOM-707-98-36230	P-U-14	65 X 100 mm	184.63	KOM-707-98-43100	P-U-14	70 X 120 mm	334.01
KOM-707-98-36240	P-UB-14	65 X 95 mm	221.06	KOM-707-98-43130	P-U-14	70 X 120 mm	220.41
KOM-707-98-36280	P-U-14	65 X 100 mm	95.54	KOM-707-98-43200	P-U-14	70 X 120 mm	129.21
KOM-707-98-36411	P-U-10	65 X 110 mm	185.86	KOM-707-98-43210	P-U-14	70 X 120 mm	115.34
KOM-707-98-36450	P-U-14	65 X 110 mm	254.37	KOM-707-98-43260	P-U-14	70 X 120 mm	196.76
KOM-707-98-36500	P-U-14	65 X 110 mm	211.05	KOM-707-98-43290	P-U-14	70 X 125 mm	90.26
KOM-707-98-36510	P-U-14	65 X 110 mm	242.75	KOM-707-98-43510	P-U-14	70 X 130 mm	380.66
KOM-707-98-36520	P-U-14	65 X 110 mm	179.74	KOM-707-98-43530	P-U-14	70 X 130 mm	312.71

REPLACEMENT KITS FOR KOMATSU CONSTRUCTION EQUIPMENT

KOMATSU

Kit Number	Code (Pg. xiv)	Rod X Bore Size	List Price
KOM-707-98-43620	I-U-14	70 X 130 mm	\$294.98
KOM-707-98-44120	P-U-14	75 X 120 mm	338.40
KOM-707-98-44200	P-U-14	75 X 120 mm	504.12
KOM-707-98-44310	P-UB-14	75 X 115 mm	163.66
KOM-707-98-45100	P-U-14	80 X 120 mm	113.61
KOM-707-98-45200	P-U-14	80 X 120 mm	349.53
KOM-707-98-45220	P-UB-14	80 X 115 mm	447.45
KOM-707-98-45240	P-UB-14	80 X 115 mm	196.46
KOM-707-98-45250	P-UB-14	80 X 100 mm	343.37
KOM-707-98-45610	P-U-14	80 X 130 mm	335.33
KOM-707-98-45620	P-U-14	80 X 130 mm	388.38
KOM-707-98-45700	P-U-14	80 X 130 mm	397.54
KOM-707-98-46100	P-U-14	85 X 120 mm	295.39
KOM-707-98-46200	P-U-14	85 X 120 mm	364.62
KOM-707-98-46220	P-UB-14	85 X 120 mm	172.05
KOM-707-98-46270	P-UB-14	85 X 120 mm	540.81
KOM-707-98-46280	P-UB-14	85 X 120 mm	224.91
KOM-707-98-46300	P-UB-14	85 X 120 mm	178.30
KOM-707-98-46600	P-U-14	85 X 130 mm	344.83
KOM-707-98-47500	P-U-14	90 X 130 mm	347.83
KOM-707-98-47510	P-U-14	90 X 130 mm	402.18
KOM-707-98-47600	P-U-14	90 X 130 mm	416.91
KOM-707-98-47620	P-UB-14	90 X 130 mm	493.45
KOM-707-98-47670	P-UB-14	90 X 130 mm	451.52
KOM-707-98-47680	P-U-14	90 X 130 mm	284.14
KOM-707-98-47710	P-UB-14	90 X 130 mm	263.04
KOM-707-98-47720	P-UB-14	90 X 130 mm	419.80
KOM-707-98-47730	P-UB-14	90 X 130 mm	289.63
KOM-707-98-47740	P-UB-14	90 X 130 mm	234.23
KOM-707-98-48500	P-U-14	95 X 130 mm	406.96
KOM-707-98-48510	P-U-14	95 X 130 mm	429.52
KOM-707-98-48600	P-U-14	95 X 130 mm	423.29
KOM-707-98-48610	P-UB-14	95 X 135 mm	343.91
KOM-707-98-48700	P-U-14	95 X 135 mm	341.41
KOM-707-98-50100	P-U-14	60 X 140 mm	280.82
KOM-707-98-51100	P-U-14	65 X 140 mm	315.33
KOM-707-98-51110	P-U-5	65 X 140 mm	303.89
KOM-707-98-51140	P-UB-14	65 X 140 mm	120.77
KOM-707-98-52100	P-U-14	70 X 140 mm	383.49
KOM-707-98-52110	P-U-14	70 X 140 mm	366.93
KOM-707-98-52130	P-U-14	70 X 140 mm	325.89
KOM-707-98-52140	P-U-14	70 X 140 mm	270.15
KOM-707-98-52210	P-U-14	70 X 140 mm	122.82
KOM-707-98-52220	P-U-14	70 X 140 mm	132.09
KOM-707-98-52410	P-U-14	70 X 150 mm	308.66
KOM-707-98-52420	P-U-14	70 X 150 mm	356.31
KOM-707-98-52430	P-U-14	70 X 150 mm	279.36
KOM-707-98-53100	P-U-14	75 X 140 mm	369.61
KOM-707-98-53410	P-U-14	75 X 150 mm	320.84
KOM-707-98-54500	P-U-14	80 X 150 mm	234.65
KOM-707-98-54510	P-U-14	80 X 150 mm	305.10
KOM-707-98-56210	P-UB-14	90 X 140 mm	254.69
KOM-707-98-56600	P-U-14	90 X 150 mm	278.96

Kit Number	Code (Pg. xiv)	Rod X Bore Size	List Price
KOM-707-98-56610	P-U-14	90 X 150 mm	\$298.87
KOM-707-98-56640	P-UB-14	90 X 150 mm	329.04
KOM-707-98-57201	P-U-14	95 X 140 mm	214.77
KOM-707-98-58200	P-U-14	100 X 140 mm	418.87
KOM-707-98-58210	P-U-14	100 X 140 mm	341.73
KOM-707-98-58230	P-U-14	100 X 140 mm	234.64
KOM-707-98-58240	P-UB-14	100 X 140 mm	271.51
KOM-707-98-60100	P-U-14	70 X 160 mm	474.96
KOM-707-98-60110	P-U-14	70 X 160 mm	244.21
KOM-707-98-60120	P-U-14	70 X 160 mm	246.72
KOM-707-98-60121	P-U-14	70 X 160 mm	244.38
KOM-707-98-61100	P-U-14	75 X 160 mm	314.24
KOM-707-98-61110	P-U-5	75 X 160 mm	378.83
KOM-707-98-62100	P-U-14	80 X 160 mm	235.02
KOM-707-98-62120	P-U-14	80 X 160 mm	282.25
KOM-707-98-62131	P-U-14	80 X 160 mm	661.35
KOM-707-98-64400	P-U-14	90 X 180 mm	160.79
KOM-707-98-64410	P-U-14	90 X 180 mm	285.61
KOM-707-98-64420	P-U-14	90 X 180 mm	288.85
KOM-707-98-64450	P-U-14	90 X 180 mm	275.50
KOM-707-98-66410	P-U-14	100 X 180 mm	550.22
KOM-707-98-67100	P-U-14	110 X 160 mm	327.99
KOM-707-98-67110	P-U-14	110 X 160 mm	401.38
KOM-707-98-68400	P-U-14	120 X 180 mm	411.88
KOM-707-98-68500	P-U-14	120 X 180 mm	391.46
KOM-707-98-71020	P-U-14	90 X 200 mm	484.17
KOM-707-98-73010	P-U-14	100 X 200 mm	419.76
KOM-707-98-73020	P-U-14	100 X 200 mm	384.37
KOM-707-98-73400	P-U-14	100 X 225 mm	426.52
KOM-707-98-74100	P-U-14	110 X 200 mm	567.09
KOM-707-98-74400	P-U-14	110 X 225	782.61
KOM-707-98-74410	P-U-14	110 X 225 mm	552.98
KOM-707-98-74420	P-U-14	110 X 225 mm	466.54
KOM-707-98-75020	P-U-14	120 X 200 mm	422.49
KOM-707-98-77210	P-UB-14	140 X 200 mm	352.12
KOM-707-98-81010	P-U-14	110 X 250 mm	578.96
KOM-707-98-84011	P-U-14	140 X 250 mm	788.40
KOM-707-98-85310	P-UB-14	170 X 250 mm	1,846.38
KOM-707-99-02050	P-U-14	20 X 35 mm	62.25
KOM-707-99-03420	P-U-10	25 X 50 mm	80.13
KOM-707-99-03500	P-U-10	25 X 50 mm	122.28
KOM-707-99-04410	P-U-10	30 X 50 mm	140.20
KOM-707-99-11030	P-U-14	30 X 60 mm	112.73
KOM-707-99-11040	P-UB-14	30 X 60 mm	112.73
KOM-707-99-12420	P-U-5	35 X 70 mm	159.37
KOM-707-99-13410	P-U-5	35 X 70 mm	174.03
KOM-707-99-14200	P-U-14	40 X 60 mm	130.13
KOM-707-99-14410	P-U-10	40 X 70 mm	154.32
KOM-707-99-14460	P-U-14	40 X 70 mm	162.73
KOM-707-99-14480	P-UB-14	40 X 70 mm	212.20
KOM-707-99-14600	P-U-14	40 X 70 mm	182.37
KOM-707-99-14610	P-U-14	40 X 70 mm	109.30
KOM-707-99-14750	P-UB-14	40 X 70 mm	132.96

REPLACEMENT KITS FOR KOMATSU CONSTRUCTION EQUIPMENT

Kit Number	Code (Pg. xiv)	Rod X Bore Size	List Price
KOM-707-99-14760	P-U-14	40 X 70 mm	\$196.90
KOM-707-99-14770	P-UB-14	40 X 70 mm	203.46
KOM-707-99-14790	P-UB-14	40 X 70 mm	218.43
KOM-707-99-14930	P-UB-14	40 X 75 mm	138.05
KOM-707-99-14960	P-UB-14	40 X 75 mm	191.11
KOM-707-99-14970	P-UB-14	40 X 75 mm	153.26
KOM-707-99-14980	P-UB-14	40 X 75 mm	175.29
KOM-707-99-14990	P-UB-14	40 X 75 mm	125.52
KOM-707-99-15600	P-U-14	45 X 70 mm	189.55
KOM-707-99-15760	P-UB-14	45 X 75 mm	204.05
KOM-707-99-15770	P-UB-14	40 X 75 mm	154.57
KOM-707-99-15810	P-UB-14	45 X 75 mm	245.27
KOM-707-99-22010	P-U-14	40 X 80 mm	156.11
KOM-707-99-22100	P-U-14	40 X 80 mm	224.73
KOM-707-99-22300	P-UB-14	40 X 80 mm	155.56
KOM-707-99-22310	P-UB-14	40 X 80 mm	229.90
KOM-707-99-23010	P-U-5	40 X 80 mm	160.72
KOM-707-99-23040	P-UB-14	40 X 80 mm	156.95
KOM-707-99-23910	P-UB-14	40 X 85 mm	181.99
KOM-707-99-24100	P-U-14	45 X 80 mm	185.64
KOM-707-99-24110	P-U-14	45 X 80 mm	159.59
KOM-707-99-24120	P-U-14	45 X 80 mm	154.55
KOM-707-99-24200	P-U-14	45 X 80 mm	165.02
KOM-707-99-24500	P-U-14	45 X 90 mm	171.68
KOM-707-99-24510	P-U-14	45 X 90 mm	99.06
KOM-707-99-24610	P-UB-14	45 X 90 mm	307.02
KOM-707-99-24630	P-UB-14	45 X 90 mm	259.04
KOM-707-99-24640	P-UB-14	45 X 90 mm	178.69
KOM-707-99-24650	P-UB-14	45 X 90 mm	165.69
KOM-707-99-24660	P-UB-14	45 X 90 mm	168.04
KOM-707-99-24670	P-UB-14	45 X 90 mm	165.77
KOM-707-99-24720	P-UB-14	45 X 90 mm	110.21
KOM-707-99-24760	P-UB-14	45 X 90 mm	130.13
KOM-707-99-24930	P-UB-14	45 X 85 mm	203.69
KOM-707-99-25520	P-U-14	50 X 90 mm	216.85
KOM-707-99-25700	P-UB-14	50 X 90 mm	404.60
KOM-707-99-25710	P-UB-14	50 X 90 mm	272.31
KOM-707-99-25720	P-UB-14	50 X 90 mm	109.73
KOM-707-99-25730	P-UB-14	50 X 90 mm	206.16
KOM-707-99-25790	P-UB-14	65 X 95 mm	280.41
KOM-707-99-25870	P-UB-14	65 X 95 mm	220.42
KOM-707-99-25880	P-UB-14	65 X 95 mm	186.19
KOM-707-99-26410	P-U-5	55 X 90 mm	178.82
KOM-707-99-26530	P-UB-14	55 X 90 mm	142.53
KOM-707-99-26600	P-U-5	55 X 90 mm	251.91
KOM-707-99-26620	P-U-14	55 X 90 mm	337.52
KOM-707-99-26640	P-UB-14	55 X 90 mm	391.40
KOM-707-99-26730	P-UB-14	60 X 90 mm	193.31
KOM-707-99-27110	P-UB-14	60 X 85 mm	206.21
KOM-707-99-27120	P-UB-14	60 X 85 mm	249.42
KOM-707-99-27310	P-UB-14	60 X 85 mm	202.48
KOM-707-99-27320	P-UB-14	60 X 85 mm	147.75
KOM-707-99-27530	P-UB-14	60 X 90 mm	199.58

Kit Number	Code (Pg. xiv)	Rod X Bore Size	List Price
KOM-707-99-27600	P-U-14	60 X 90 mm	\$310.75
KOM-707-99-27650	P-UB-14	60 X 90 mm	357.14
KOM-707-99-27780	P-UB-14	65 X 95 mm	148.05
KOM-707-99-32010	P-U-14	50 X 100 mm	207.59
KOM-707-99-32070	P-UB-14	50 X 100 mm	183.11
KOM-707-99-32100	P-U-14	50 X 100 mm	177.15
KOM-707-99-32110	P-U-14	50 X 100 mm	148.19
KOM-707-99-32140	P-UB-14	50 X 100 mm	100.27
KOM-707-99-32190	P-UB-14	50 X 100 mm	128.08
KOM-707-99-32250	P-UB-14	50 X 100 mm	309.31
KOM-707-99-33010	P-U-14	50 X 100 mm	182.66
KOM-707-99-34030	P-U-5	55 X 100 mm	182.51
KOM-707-99-34100	P-U-14	55 X 100 mm	152.82
KOM-707-99-34240	P-U-14	55 X 105 mm	170.29
KOM-707-99-34250	P-UB-14	55 X 100 mm	319.50
KOM-707-99-34260	P-UB-14	55 X 105 mm	197.51
KOM-707-99-34300	P-UB-14	55 X 100 mm	213.45
KOM-707-99-34320	P-UB-14	55 X 100 mm	304.95
KOM-707-99-34500	P-U-14	55 X 110 mm	151.39
KOM-707-99-34510	P-U-14	55 X 110 mm	220.71
KOM-707-99-34550	P-UB-14	55 X 110 mm	233.42
KOM-707-99-34600	P-UB-14	55 X 110 mm	132.13
KOM-707-99-34620	P-UB-14	55 X 110 mm	144.86
KOM-707-99-34630	P-UB-14	55 X 110 mm	135.52
KOM-707-99-35160	I-UB-14	60 X 100 mm	227.80
KOM-707-99-35170	P-UB-14	60 X 100 mm	77.55
KOM-707-99-35180	P-UB-14	60 X 100 mm	242.99
KOM-707-99-35230	P-UB-14	60 X 100 mm	349.15
KOM-707-99-35300	P-UB-14	60 X 100 mm	481.13
KOM-707-99-35310	P-UB-14	60 X 100 mm	510.84
KOM-707-99-35320	P-UB-14	60 X 100 mm	429.96
KOM-707-99-35590	P-UB-14	60 X 115 mm	114.54
KOM-707-99-35720	P-UB-14	60 X 110 mm	253.05
KOM-707-99-36200	P-UB-14	65 X 100 mm	326.98
KOM-707-99-36210	P-UB-14	65 X 100 mm	269.93
KOM-707-99-36220	P-UB-14	65 X 100 mm	368.08
KOM-707-99-36260	P-U-14	65 X 100 mm	269.40
KOM-707-99-36270	P-U-14	65 X 100 mm	269.15
KOM-707-99-36300	P-UB-14	65 X 100 mm	211.26
KOM-707-99-36330	P-UB-14	65 X 100 mm	191.04
KOM-707-99-36410	P-U-5	60 X 110 mm	223.89
KOM-707-99-36420	P-U-14	65 X 110 mm	251.23
KOM-707-99-36550	P-UB-14	65 X 110 mm	103.57
KOM-707-99-36620	P-UB-14	65 X 105 mm	442.91
KOM-707-99-36630	P-UB-14	65 X 115 mm	412.57
KOM-707-99-36680	P-UB-14	65 X 110 mm	214.66
KOM-707-99-36690	P-UB-14	65 X 110 mm	302.12
KOM-707-99-36720	P-UB-14	65 X 110 mm	220.30
KOM-707-99-36740	P-UB-14	65 X 110 mm	306.20
KOM-707-99-37150	P-UB-14	70 X 105 mm	218.35
KOM-707-99-37170	P-UB-14	70 X 105 mm	143.85
KOM-707-99-37230	P-UB-14	70 X 105 mm	196.80
KOM-707-99-37290	P-UB-14	70 X 105 mm	441.82

FORMERLY LISTED REPAIR PARTS ARE AVAILABLE ONLINE AT WWW.HERCULESCA.CA
OR BY CONTACTING YOUR REGIONAL HERCULES SALES TEAM.

REPLACEMENT KITS FOR KOMATSU CONSTRUCTION EQUIPMENT

Kit Number	Code (Pg. xiv)	Rod X Bore Size	List Price
KOM-707-99-37300	P-UB-14	70 X 105 mm	\$149.21
KOM-707-99-37310	P-UB-14	70 X 105 mm	158.89
KOM-707-99-37340	P-UB-14	70 X 105 mm	159.58
KOM-707-99-37500	P-U-14	70 X 110 mm	166.89
KOM-707-99-37510	P-U-14	70 X 110 mm	221.03
KOM-707-99-37590	P-U-14	70 X 110 mm	82.57
KOM-707-99-37591	P-UB-14	70 X 110 mm	129.01
KOM-707-99-37600	P-UB-14	70 X 110 mm	294.36
KOM-707-99-37610	P-UB-14	70 X 110 mm	470.36
KOM-707-99-37620	P-U-14	70 X 110 mm	194.73
KOM-707-99-37670	P-UB-10	70 X 110 mm	171.46
KOM-707-99-37740	P-UB-14	70 X 105 mm	333.26
KOM-707-99-38720	P-UB-14	75 X 110 mm	452.82
KOM-707-99-38740	P-UB-14	75 X 110 mm	101.18
KOM-707-99-38760	P-UB-14	75 X 110 mm	166.68
KOM-707-99-38780	P-UB-14	75 X 110 mm	140.67
KOM-707-99-38790	P-UB-14	75 X 110 mm	131.57
KOM-707-99-38820	P-UB-14	75 X 110 mm	189.66
KOM-707-99-39770	P-UB-14	75 X 110 mm	313.27
KOM-707-99-39790	P-UB-14	75 X 110 mm	214.21
KOM-707-99-40040	P-U-14	55 X 120 mm	286.12
KOM-707-99-40100	P-U-5	50 X 120 mm	267.35
KOM-707-99-40120	P-UB-14	55 X 120 mm	154.32
KOM-707-99-41100	P-U-14	60 X 120 mm	222.18
KOM-707-99-41130	P-U-14	60 X 120 mm	84.50
KOM-707-99-41140	P-U-14	60 X 120 mm	311.59
KOM-707-99-41270	P-UB-14	60 X 120 mm	158.27
KOM-707-99-41300	P-UB-14	60 X 120 mm	438.39
KOM-707-99-41420	P-U-5	60 X 130 mm	147.90
KOM-707-99-42020	P-U-5	65 X 120 mm	279.84
KOM-707-99-42170	P-UB-14	70 X 120 mm	272.79
KOM-707-99-42220	P-UB-14	70 X 120 mm	347.28
KOM-707-99-42300	P-UB-14	70 X 125 mm	284.87
KOM-707-99-42310	P-UB-14	70 X 125 mm	372.49
KOM-707-99-42330	P-UB-14	70 X 120 mm	319.51
KOM-707-99-43010	P-U-5	70 X 120 mm	255.50
KOM-707-99-43040	P-UB-14	75 X 120 mm	246.55
KOM-707-99-43100	P-U-14	70 X 120 mm	268.75
KOM-707-99-43110	P-U-14	70 X 120 mm	319.69
KOM-707-99-43170	P-U-14	70 X 120 mm	253.46
KOM-707-99-43300	P-UB-14	70 X 120 mm	573.28
KOM-707-99-43310	P-UB-14	70 X 125 mm	268.06
KOM-707-99-43320	P-UB-14	70 X 125 mm	220.45
KOM-707-99-43390	P-UB-14	70 X 125 mm	256.38
KOM-707-99-43500	P-U-14	70 X 130 mm	274.60
KOM-707-99-43520	P-U-14	70 X 130 mm	396.57
KOM-707-99-43530	P-U-14	70 X 130 mm	136.14
KOM-707-99-43540	P-U-14	70 X 130 mm	361.05
KOM-707-99-43570	P-UB-14	70 X 130 mm	369.43
KOM-707-99-43590	P-UB-14	70 X 130 mm	383.51
KOM-707-99-43680	P-UB-14	70 X 130 mm	108.92
KOM-707-99-43690	P-UB-14	70 X 130 mm	111.73
KOM-707-99-43730	P-UB-14	70 X 130 mm	243.69

Kit Number	Code (Pg. xiv)	Rod X Bore Size	List Price
KOM-707-99-43740	P-UB-14	70 X 130 mm	\$259.08
KOM-707-99-44060	P-UB-14	75 X 115 mm	339.68
KOM-707-99-44200	P-UB-14	75 X 115 mm	221.36
KOM-707-99-44220	P-UB-14	75 X 115 mm	165.91
KOM-707-99-44230	P-UB-14	75 X 115 mm	165.91
KOM-707-99-44270	P-UB-14	75 X 115 mm	152.13
KOM-707-99-44280	P-UB-14	75 X 115 mm	156.96
KOM-707-99-44290	P-UB-14	75 X 115 mm	145.11
KOM-707-99-44310	P-UB-14	75 X 115 mm	348.06
KOM-707-99-44340	P-UB-14	75 X 115 mm	169.57
KOM-707-99-44380	P-UB-14	75 X 115 mm	158.94
KOM-707-99-45040	P-UB-14	80 X 115 mm	169.53
KOM-707-99-45220	P-UB-14	80 X 115 mm	221.87
KOM-707-99-45230	P-UB-14	80 X 115 mm	260.16
KOM-707-99-45250	P-UB-14	80 X 115 mm	151.17
KOM-707-99-45310	P-UB-14	80 X 120 mm	159.02
KOM-707-99-46030	P-UB-14	85 X 120 mm	190.76
KOM-707-99-46120	P-UB-14	85 X 125 mm	277.84
KOM-707-99-46130	P-UB-14	85 X 120 mm	494.01
KOM-707-99-46200	P-UB-14	85 X 120 mm	481.11
KOM-707-99-46210	P-UB-14	85 X 120 mm	483.65
KOM-707-99-46270	P-UB-14	85 X 120 mm	309.41
KOM-707-99-46290	P-UB-14	85 X 125 mm	493.01
KOM-707-99-46320	P-UB-14	85 X 120 mm	531.52
KOM-707-99-46390	P-UB-14	85 X 120 mm	148.27
KOM-707-99-46420	P-UB-14	85 X 120 mm	195.77
KOM-707-99-46470	P-UB-14	85 X 120 mm	139.94
KOM-707-99-46600	P-UB-14	85 X 120 mm	298.63
KOM-707-99-46620	P-UB-14	85 X 130 mm	412.62
KOM-707-99-47040	P-UB-14	85 X 125 mm	213.09
KOM-707-99-47130	P-UB-14	85 X 125 mm	213.09
KOM-707-99-47570	P-UB-14	90 X 130 mm	419.71
KOM-707-99-47600	P-UB-14	90 X 130 mm	325.08
KOM-707-99-47610	P-UB-14	90 X 130 mm	494.14
KOM-707-99-47660	P-UB-14	90 X 130 mm	339.77
KOM-707-99-47670	P-UB-14	90 X 130 mm	494.23
KOM-707-99-47730	P-UB-14	90 X 130 mm	311.51
KOM-707-99-47740	P-UB-14	90 X 130 mm	323.39
KOM-707-99-47780	P-UB-14	90 X 130 mm	300.89
KOM-707-99-47790	P-UB-14	90 X 130 mm	289.45
KOM-707-99-47800	P-UB-14	90 X 130 mm	236.79
KOM-707-99-47830	P-UB-14	90 X 130 mm	478.06
KOM-707-99-47860	P-UB-14	90 X 130 mm	247.57
KOM-707-99-47880	P-UB-14	90 X 130 mm	165.29
KOM-707-99-48610	P-UB-14	95 X 130 mm	425.77
KOM-707-99-48620	P-UB-14	90 X 130 mm	218.95
KOM-707-99-48630	P-UB-14	90 X 130 mm	322.66
KOM-707-99-48710	P-UB-14	90 X 130 mm	225.52
KOM-707-99-48740	P-UB-14	90 X 130 mm	234.42
KOM-707-99-50500	P-UB-14	95 X 135 mm	195.90
KOM-707-99-50520	P-UB-14	95 X 135 mm	218.92
KOM-707-99-50580	P-UB-14	95 X 135 mm	231.12
KOM-707-99-50620	P-UB-14	95 X 135 mm	423.06

REPLACEMENT KITS FOR KOMATSU CONSTRUCTION EQUIPMENT

Kit Number	Code (Pg. xiv)	Rod X Bore Size	List Price
KOM-707-99-50650	P-UB-14	95 X 135 mm	\$271.80
KOM-707-99-50680	P-UB-14	95 X 135 mm	210.95
KOM-707-99-50740	P-UB-14	95 X 135 mm	272.48
KOM-707-99-50780	P-UB-14	95 X 135 mm	196.69
KOM-707-99-52100	P-U-14	70 X 140 mm	311.06
KOM-707-99-52160	P-UB-14	70 X 140 mm	124.60
KOM-707-99-52170	P-UB-14	70 X 140 mm	133.82
KOM-707-99-53100	P-U-14	75 X 140 mm	237.55
KOM-707-99-53160	P-UB-14	75 X 140 mm	174.60
KOM-707-99-53170	P-UB-14	75 X 140 mm	333.51
KOM-707-99-53270	P-U-14	75 X 140 mm	148.45
KOM-707-99-53500	P-U-14	75 X 150 mm	308.36
KOM-707-99-54100	P-U-14	80 X 140 mm	241.11
KOM-707-99-54140	P-U-14	80,120 X 100,140 mm	190.99
KOM-707-99-54150	P-U-14	80,120 X 100,140 mm	292.23
KOM-707-99-55500	P-U-14	85 X 150 mm	257.11
KOM-707-99-56220	P-UB-14	90 X 140 mm	218.88
KOM-707-99-56240	P-UB-14	90 X 140 mm	212.97
KOM-707-99-56300	P-UB-14	90 X 140 mm	235.46
KOM-707-99-56310	P-U-14	90 X 140 mm	550.26
KOM-707-99-56500	P-U-14	90 X 150 mm	324.35
KOM-707-99-56510	P-UB-14	90 X 150 mm	206.74
KOM-707-99-56620	P-UB-14	90 X 150 mm	402.35
KOM-707-99-56730	P-UB-14	90 X 150 mm	493.21
KOM-707-99-57160	P-UB-14	95 X 135 mm	479.52
KOM-707-99-57180	P-UB-14	95 X 135 mm	256.73
KOM-707-99-57200	P-UB-14	95 X 135 mm	396.04
KOM-707-99-57250	P-UB-14	95 X 135 mm	396.04
KOM-707-99-57270	P-UB-14	95 X 135 mm	495.25
KOM-707-99-57310	P-UB-14	95 X 140 mm	472.45
KOM-707-99-57360	P-UB-14	95 X 140 mm	318.45
KOM-707-99-58030	P-UB-14	100 X 140 mm	290.21
KOM-707-99-58050	P-UB-14	100 X 140 mm	317.81
KOM-707-99-58060	P-UB-14	100 X 140 mm	545.64
KOM-707-99-58070	P-UB-14	100 X 140 mm	272.86
KOM-707-99-58080	P-UB-14	100 X 140 mm	371.04
KOM-707-99-58090	P-UB-14	100 X 140 mm	499.95
KOM-707-99-58110	P-UB-14	100 X 140 mm	462.39
KOM-707-99-58200	P-UB-14	100 X 140 mm	297.34
KOM-707-99-58210	P-UB-14	100 X 140 mm	503.82
KOM-707-99-58240	P-UB-14	100 X 140 mm	631.62
KOM-707-99-58260	P-UB-14	100 X 140 mm	181.55
KOM-707-99-58300	P-UB-14	100 X 140 mm	239.41
KOM-707-99-58310	P-UB-14	100 X 140 mm	191.07
KOM-707-99-58320	P-UB-14	100 X 140 mm	317.98
KOM-707-99-58350	P-UB-14	100 X 140 mm	372.92
KOM-707-99-58360	P-UB-14	100 X 140 mm	405.01
KOM-707-99-58370	P-UB-14	100 X 140 mm	529.01
KOM-707-99-58390	P-UB-14	100 X 140 mm	190.83
KOM-707-99-59020	P-UB-14	100 X 140 mm	515.46
KOM-707-99-59070	P-UB-14	100 X 140 mm	231.59
KOM-707-99-59080	P-UB-14	100 X 140 mm	186.24
KOM-707-99-59140	P-UB-14	100 X 140 mm	246.81

Kit Number	Code (Pg. xiv)	Rod X Bore Size	List Price
KOM-707-99-59150	P-UB-14	100 X 140 mm	\$252.62
KOM-707-99-59230	P-UB-14	100 X 140 mm	175.87
KOM-707-99-59320	P-UB-14	100 X 140 mm	407.92
KOM-707-99-59330	P-UB-14	100 X 140 mm	239.93
KOM-707-99-59430	P-UB-14	100 X 140 mm	223.82
KOM-707-99-59550	P-UB-14	110 X 150 mm	650.32
KOM-707-99-59600	P-UB-14	100 X 150 mm	301.49
KOM-707-99-59610	P-UB-14	110 X 150 mm	511.75
KOM-707-99-59620	P-UB-14	110 X 150 mm	682.41
KOM-707-99-59680	P-UB-14	110 X 150 mm	497.14
KOM-707-99-59690	P-UB-14	110 X 150 mm	621.61
KOM-707-99-59740	P-UB-14	110 X 150 mm	676.61
KOM-707-99-62010	P-U-14	80 X 160 mm	282.25
KOM-707-99-62020	P-U-14	80 X 160 mm	268.63
KOM-707-99-62120	P-UB-14	80 X 160 mm	452.90
KOM-707-99-64010	P-U-14	90 X 160 mm	275.64
KOM-707-99-64030	P-U-14	90 X 160 mm	387.15
KOM-707-99-64040	P-UB-14	90 X 160 mm	397.77
KOM-707-99-64050	P-U-14	90 X 160 mm	194.10
KOM-707-99-64080	P-UB-14	90 X 160 mm	348.25
KOM-707-99-64120	P-UB-14	90 X 160 mm	397.77
KOM-707-99-64130	P-UB-14	90 X 160 mm	434.85
KOM-707-99-64150	P-U-14	90,140 X 120,160 mm	329.69
KOM-707-99-64152	P-U-14	90, 140 X 120 mm	477.20
KOM-707-99-64180	P-U-14	90, 140 X 120 mm	485.12
KOM-707-99-64200	P-UB-14	90 X 160 mm	215.32
KOM-707-99-64230	P-UB-14	90 X 160 mm	201.37
KOM-707-99-64250	P-UB-14	90 X 160 mm	201.37
KOM-707-99-64400	P-U-14	90 X 180 mm	416.22
KOM-707-99-64410	P-U-14	90 X 180 mm	286.29
KOM-707-99-64450	P-U-14	90 X 180 mm	342.20
KOM-707-99-64520	P-UB-14	90 X 180 mm	228.37
KOM-707-99-64540	P-UB-14	90 X 180 mm	399.48
KOM-707-99-64570	P-UB-14	90 X 180 mm	285.68
KOM-707-99-65400	P-U-14	95 X 180 mm	296.08
KOM-707-99-65420	P-UB-14	95 X 180 mm	315.19
KOM-707-99-65840	P-U-14	100 X 170 mm	441.74
KOM-707-99-66010	P-U-14	100 X 160 mm	194.73
KOM-707-99-66180	P-UB-14	100 X 160 mm	623.50
KOM-707-99-66210	P-U-14	100 X 160 mm	407.51
KOM-707-99-66240	P-UB-14	100 X 160 mm	399.16
KOM-707-99-66350	P-UB-14	100 X 160 mm	196.01
KOM-707-99-66360	P-UB-14	100 X 160 mm	698.22
KOM-707-99-66380	P-UB-14	100 X 160 mm	332.80
KOM-707-99-66400	P-U-14	100 X 180 mm	384.45
KOM-707-99-66600	P-UB-14	100 X 180 mm	220.72
KOM-707-99-66610	P-UB-14	100 X 180 mm	196.11
KOM-707-99-66660	P-UB-14	100 X 180 mm	200.15
KOM-707-99-67010	P-UB-14	110 X 160 mm	540.28
KOM-707-99-67070	P-UB-14	110 X 160 mm	327.52
KOM-707-99-67090	P-UB-14	110 X 160 mm	529.71
KOM-707-99-67110	P-UB-14	110 X 160 mm	442.74
KOM-707-99-67120	P-UB-14	110 X 160 mm	467.55

REPLACEMENT KITS FOR KOMATSU CONSTRUCTION EQUIPMENT

KOMATSU

Kit Number	Code (Pg. xiv)	Rod X Bore Size	List Price	Kit Number	Code (Pg. xiv)	Rod X Bore Size	List Price
KOM-707-99-67121	P-UB-14	110 X 160 mm	\$316.97	KOM-707-99-74140	P-UB-14	110 X 200 mm	\$430.24
KOM-707-99-67280	P-UB-14	110 X 160 mm	422.52	KOM-707-99-74200	P-UB-14	110 X 200 mm	334.42
KOM-707-99-67290	P-UB-14	110 X 160 mm	348.81	KOM-707-99-74230	P-UB-14	110 X 200 mm	371.26
KOM-707-99-67300	P-UB-14	110 X 160 mm	572.17	KOM-707-99-74240	P-UB-14	110 X 200 mm	412.70
KOM-707-99-67310	P-UB-14	110 X 160 mm	623.50	KOM-707-99-74440	P-UB-14	110 X 225 mm	406.30
KOM-707-99-67530	P-UB-14	110 X 180 mm	835.03	KOM-707-99-74450	P-UB-14	110 X 225 mm	358.25
KOM-707-99-67610	P-UB-14	110 X 160 mm	449.63	KOM-707-99-75400	P-U-14	120 X 225 mm	341.55
KOM-707-99-67640	P-UB-14	110 X 180 mm	334.71	KOM-707-99-75410	P-U-14	120 X 225 mm	337.57
KOM-707-99-67690	P-UB-14	110 X 180 mm	332.18	KOM-707-99-75420	P-U-14	120 X 225 mm	361.86
KOM-707-99-67700	P-UB-14	110 X 180 mm	349.89	KOM-707-99-75440	P-UB-14	120 X 225 mm	434.43
KOM-707-99-67760	P-UB-14	120 X 160 mm	776.94	KOM-707-99-75450	P-UB-14	120 X 225 mm	705.77
KOM-707-99-67770	P-UB-14	120 X 185 mm	972.12	KOM-707-99-75470	P-UB-14	120 X 225 mm	329.28
KOM-707-99-67830	P-UB-14	110 X 160 mm	288.85	KOM-707-99-75490	P-UB-14	120 X 225 mm	938.75
KOM-707-99-67840	P-UB-14	110 X 160 mm	348.13	KOM-707-99-75600	P-UB-14	120 X 225 mm	358.05
KOM-707-99-67870	P-UB-14	110 X 160 mm	365.51	KOM-707-99-76030	P-UB-14	140 X 200 mm	1,170.56
KOM-707-99-68420	P-UB-14	120 X 160 mm	702.27	KOM-707-99-76060	P-UB-14	140 X 200 mm	1,032.78
KOM-707-99-68430	P-UB-14	120 X 185 mm	976.19	KOM-707-99-76230	P-UB-14	140 X 200 mm	825.62
KOM-707-99-68470	P-UB-14	120 X 185 mm	737.35	KOM-707-99-76260	P-UB-14	140 X 200 mm	1,570.12
KOM-707-99-68481	P-UB-14	120 X 185 mm	570.57	KOM-707-99-76300	P-UB-14	140 X 200 mm	488.22
KOM-707-99-68510	P-UB-14	120 X 185 mm	511.63	KOM-707-99-77050	P-UB-14	140 X 200 mm	352.12
KOM-707-99-68560	P-UB-14	120 X 185 mm	892.18	KOM-707-99-77090	P-UB-14	140 X 200 mm	743.71
KOM-707-99-68580	P-UB-14	120 X 185 mm	532.82	KOM-707-99-77120	P-UB-14	140 X 200 mm	881.14
KOM-707-99-68600	P-UB-14	120 X 180 mm	398.79	KOM-707-99-77130	P-UB-14	140 X 200 mm	1263.12
KOM-707-99-68660	P-UB-14	120 X 185 mm	524.39	KOM-707-99-77140	P-UB-14	140 X 200 mm	475.92
KOM-707-99-68730	P-UB-14	120 X 185 mm	520.27	KOM-707-99-77160	P-UB-14	140 X 200 mm	449.42
KOM-707-99-68780	P-UB-14	120 X 185 mm	548.57	KOM-707-99-77190	P-UB-14	140 X 200 mm	909.01
KOM-707-99-68910	P-UB-14	120 X 170 mm	478.27	KOM-707-99-77220	P-UB-14	140 X 200 mm	350.19
KOM-707-99-69500	P-UB-14	130 X 185 mm	610.85	KOM-707-99-77240	P-U-14	140 X 200 mm	1096.34
KOM-707-99-69590	P-UB-14	120 X 185 mm	585.88	KOM-707-99-77250	P-U-14	140 X 200 mm	994.48
KOM-707-99-69600	P-U-14	130 X 180 mm	635.60	KOM-707-99-77300	P-UB-14	140 X 200 mm	353.51
KOM-707-99-69620	P-U-14	130 X 180 mm	672.11	KOM-707-99-77380	P-UB-14	140 X 200 mm	367.16
KOM-707-99-69670	P-UB-14	130 X 185 mm	501.99	KOM-707-99-77600	P-UB-14	140 X 225 mm	688.63
KOM-707-99-69700	P-UB-14	130 X 185 mm	584.04	KOM-707-99-77620	P-UB-14	140 X 225 mm	388.31
KOM-707-99-69710	P-UB-14	130 X 185 mm	605.95	KOM-707-99-77630	P-UB-14	140 X 225 mm	776.20
KOM-707-99-69740	P-UB-14	130 X 185 mm	604.77	KOM-707-99-78440	P-UB-14	160 X 225 mm	1540.89
KOM-707-99-69790	P-UB-14	130 X 185 mm	591.19	KOM-707-99-78620	P-UB-14	160 X 225 mm	1685.57
KOM-707-99-71100	P-U-14	90 X 200 mm	341.15	KOM-707-99-78630	P-UB-14	160 X 225 mm	1685.06
KOM-707-99-71420	P-U-14	90 X 225 mm	408.04	KOM-707-99-78680	P-UB-14	160 X 225 mm	1518.73
KOM-707-99-72060	P-UB-14	110 X 160 mm	621.63	KOM-707-99-78700	P-UB-14	160 X 225 mm	1518.68
KOM-707-99-72070	P-UB-14	110 X 160 mm	551.76	KOM-707-99-78740	P-UB-14	160 X 225 mm	1518.68
KOM-707-99-72080	P-UB-14	110 X 160 mm	549.38	KOM-707-99-78780	P-UB-14	160 X 225 mm	1773.98
KOM-707-99-72090	P-UB-14	115 X 160 mm	702.30	KOM-707-99-81010	P-UB-14	110 X 250 mm	470.39
KOM-707-99-72240	P-UB-14	110 X 160 mm	497.64	KOM-707-99-84010	P-U-14	140 X 250 mm	625.67
KOM-707-99-72300	P-UB-14	110 X 160 mm	326.02	KOM-707-99-84200	P-UB-14	140 X 250 mm	487.13
KOM-707-99-72390	P-UB-14	115 X 160 mm	592.26	KOM-707-99-84400	P-U-14	140 X 280 mm	536.39
KOM-707-99-73010	P-U-14	100 X 200 mm	264.38	KOM-707-99-84440	P-UB-14	140 X 280 mm	627.89
KOM-707-99-73020	P-U-14	100 X 200 mm	242.97	KOM-707-99-84450	P-UB-14	140 X 280 mm	672.12
KOM-707-99-73140	P-UB-14	100 X 200 mm	415.48	KOM-707-99-84470	P-UB-14	140 X 280 mm	556.36
KOM-707-99-73150	P-UB-14	100 X 200 mm	543.83	KOM-707-99-85310	P-UB-14	160 X 250 mm	2,070.08
KOM-707-99-73160	P-UB-14	100 X 200 mm	694.35	KOM-707-99-85350	P-UB-14	160 X 250 mm	3,609.70
KOM-707-99-74010	P-U-14	110 X 200 mm	304.65	KOM-707-99-85900	P-UB-14	160 X 260 mm	1,329.03
KOM-707-99-74020	P-UB-14	110 X 200 mm	372.59	KOM-707-99-86600	P-UB-14	170 X 280 mm	1,197.74
KOM-707-99-74120	P-UB-14	110 X 200 mm	316.01	KOM-707-99-87700	P-UB-14	190 X 280 mm	1,937.64

REPLACEMENT KITS FOR KOMATSU CONSTRUCTION EQUIPMENT

Kit Number	Code (Pg. xiv)	Rod X Bore Size	List Price	Kit Number	Code (Pg. xiv)	Rod X Bore Size	List Price
KOM-707-99-87730	P-UB-14	190 X 280 mm	\$1,937.64	KOM-769-931-73	I-V-1	240 mm	\$1,094.79
KOM-707-99-89200	P-U-14	170 X 250 mm	1,016.78	KOM-770-184-73	I-V-1	260 mm	2,197.71
KOM-707-99-89220	P-UB-14	170 X 250 mm	2,279.72	KOM-770-318-73	I-V-1	290 mm	2,841.99
KOM-707-99-89250	P-UB-14	170 X 250 mm	2,279.72	KOM-770-552-73	I-BB-1	260 mm	2,115.07
KOM-707-99-96140	P-UB-14	200 X 300 mm	4,331.31	KOM-780-454-73	N-N-10	200 mm	308.44
KOM-707-99-96200	P-UB-14	180 X 300 mm	2,137.69	KOM-792-062-73	N-N-10	300 mm	1,445.31
KOM-707-99-H0P01	P-U-14	95 X 180 mm	607.50	KOM-794-000-73	N-N-10	380 mm	2,476.56
KOM-707-99-H0P03	P-UB-14	100 X 200 mm	687.45	KOM-794-792-73	N-N-10	460 mm	4,143.41
KOM-707-99-H0P10	P-UB-14	95 X 180 mm	659.87	KOM-797-431-73	N-BB-1	260 mm	2,325.37
KOM-707-99-H0P11	P-UB-14	50 X 100 mm	268.26	KOM-827020113	I-U-15	45 X 80 mm	39.23
KOM-721-98-00160	P-UB-14	85 X 120 mm	604.58	KOM-855660112	I-SP-15	45 X 85 mm	119.01
KOM-721-98-00170	P-UB-14	95 X 135 mm	256.00	KOM-878000365	P-UB-14	60 X 120 mm	354.64
KOM-721-98-00180	P-UB-14	80 X 115 mm	298.29	KOM-878000388	P-UB-10	40 X 70 mm	88.92
KOM-721-98-00660	P-UB-14	85 X 120 mm	587.71	KOM-878000425	P-UB-14	60 X 100 mm	279.72
KOM-721-98-00670	P-U-14	65 X 115 mm	252.14	KOM-878000486	P-UB-14	50 X 85 mm	109.88
KOM-721-98-00680	P-U-14	60 X 100 mm	138.89	KOM-878000487	P-UB-14	50 X 80 mm	99.12
KOM-721-98-00700	P-U-14	65 X 130 mm	133.28	KOM-878000489	P-UB-14	60 X 120 mm	141.74
KOM-721-98-00730	P-UB-14	50 X 90 mm	189.88	KOM-878000490	P-UB-14	60 X 110 mm	143.27
KOM-721-98-01120	P-UB-14	70 X 105 mm	501.31	KOM-878000491	P-UB-14	60 X 115 mm	150.01
KOM-721-98-01280	P-U-14	50 X 90 mm	201.12	KOM-878000492	P-UB-14	60 X 95 mm	130.48
KOM-721-98-01350	P-UB-14	60 X 100 mm	269.64	KOM-878000494	P-UB-14	55 X 110 mm	94.43
KOM-721-98-01520	P-UB-14	75 X 110 mm	526.94	KOM-878000541	P-UB-14	60 X 125 mm	188.23
KOM-721-98-01530	P-UB-14	65 X 95 mm	437.73	KOM-878000542	P-UB-14	50 X 115 mm	110.36
KOM-721-98-01540	P-UB-14	75 X 110 mm	413.70	KOM-878000607	P-UB-14	70 X 120 mm	314.98
KOM-721-98-01560	P-U-14	55 X 90 mm	219.75	KOM-878000608	P-UB-14	50 X 90 mm	206.25
KOM-721-98-01720	P-UB-14	110 X 160 mm	663.72	KOM-878000617	I-SP-10	18 X 30 mm	59.28
KOM-721-98-01740	P-UB-14	110 X 160 mm	663.84	KOM-878010240	P-U-14	30 X 60 mm	91.07
KOM-721-98-01741	P-UB-14	110 X 160 mm	663.84	KOM-878010241	P-U-14	35 X 55 mm	79.31
KOM-721-98-01750	P-UB-14	120 X 185 mm	769.14	KOM-878010284	P-U-14	35 X 65 mm	81.88
KOM-721-98-01751	P-UB-14	120 X 185 mm	769.14	KOM-878010285	P-U-14	40 X 65 mm	82.62
KOM-721-98-01960	P-UB-14	100 X 140 mm	284.19	KOM-AK0076	P-U-10	2-1/2 X 5	205.53
KOM-721-98-01970	P-UB-14	100 X 140 mm	242.69	KOM-AK4307	P-U-14	3-1/4 X 6-1/2	624.36
KOM-721-98-01981	P-UB-14	110 X 160 mm	648.25	KOM-AK4308	I-UB-1	15-3/4	3,472.01
KOM-721-98-01990	P-UB-14	100 X 140 mm	332.12	KOM-AK4370	P-U-14	3 X 6	487.44
KOM-721-98-01991	P-UB-14	100 X 140 mm	332.12	KOM-AK4441	I-UB-1	14" ROD KIT	2,512.89
KOM-721-98-02310	P-UB-14	90 X 130 mm	329.61	KOM-AK4446	I-UB-1	12" ROD KIT	1,440.50
KOM-721-98-02330	P-UB-14	95 X 135 mm	586.53	KOM-AK4773	I-UB-10	7,10-1/2,13	3,732.27
KOM-721-98-02440	P-UB-14	95 X 135 mm	595.83	KOM-AK4892	TELESCOPIC KIT		3,658.70
KOM-721-98-02460	P-UB-14	90 X 130 mm	408.88	KOM-AK5239	I-UB-1	14	1,662.37
KOM-721-98-02530	P-UB-14	110 X 160 mm	706.45	KOM-AK7283	P-U-10	3 X 6	134.41
KOM-721-98-02600	P-UB-14	100 X 140 mm	499.69	KOM-PC-1	P-U-14	100 X 150 mm	259.98
KOM-721-98-02620	P-UB-14	85 X 120 mm	585.24	KOM-PC-2	P-U-14	90 X 140 mm	235.46
KOM-721-98-03270	P-UB-14	65 X 110 mm	306.20	KOM-PC-3	P-U-14	80 X 140 mm	295.07
KOM-721-98-00900	P-UB-14	70 X 120 mm	416.59	KOM-RK1887	SHOCK STRUT VALVE		174.39

REPLACEMENT PARTS FOR KOMATSU EQUIPMENT

NOTE: Komatsu part numbers are used as a reference only. We do not imply that these kits are original REPLACEMENT PARTS.

BACK-UP RINGS

Part Number	Min Pkg Qty	List Price
KOM-07001-02014	1	\$2.82
KOM-07001-02018	1	2.82
KOM-07001-02020	1	2.82
KOM-07001-02050	1	4.22
KOM-07001-02055	1	5.77
KOM-07001-02060	1	12.34
KOM-07001-02065	1	6.97
KOM-07001-02070	1	12.66
KOM-07001-02075	1	9.63
KOM-07001-02080	1	12.84
KOM-07001-02085	1	13.03
KOM-07001-02090	1	13.03
KOM-07001-02095	1	13.03
KOM-07001-03022	1	2.82
KOM-07001-03040	1	3.61
KOM-07001-03045	1	4.05
KOM-07001-03050	1	4.05
KOM-07001-05055	1	13.17
KOM-07001-05080	1	9.40
KOM-07001-05090	1	18.94
KOM-07001-05095	1	11.19
KOM-07001-05100	1	11.49
KOM-07001-05105	1	12.40
KOM-07001-05110	1	12.60
KOM-07001-05115	1	12.96
KOM-07001-05118	1	20.05
KOM-07001-05120	1	13.57
KOM-07001-05125	1	14.18
KOM-07001-05130	1	14.44
KOM-07001-05135	1	15.04
KOM-07001-05140	1	15.68
KOM-07001-05150	1	16.54
KOM-07001-05155	1	17.08
KOM-07001-05160	1	18.28
KOM-07001-05170	1	18.58
KOM-07001-05175	1	19.99
KOM-07001-05180	1	20.05
KOM-07001-05185	1	20.34
KOM-07001-05190	1	20.96
KOM-07001-05195	1	21.52
KOM-07001-05220	1	24.15
KOM-07001-05280	1	36.28
KOM-07001-05300	1	50.39
KOM-070-35-91370	1	14.18

BACK-UP RINGS

Part Number	Min Pkg Qty	List Price
KOM-07146-02006	1	\$13.03
KOM-07146-02051	1	4.22
KOM-07146-02056	1	8.57
KOM-07146-02066	1	6.97
KOM-07146-02076	1	12.66
KOM-07146-02085	1	13.03
KOM-07146-02086	1	13.03
KOM-07146-02096	1	13.03
KOM-07146-02106	1	13.61
KOM-07146-02116	1	13.87
KOM-07146-02126	1	14.04
KOM-07146-02128	1	14.24
KOM-07146-02136	1	15.22
KOM-07146-02146	1	16.71
KOM-07146-05152	1	16.54
KOM-07146-05172	1	18.58
KOM-07146-05192	1	20.96
KOM-07146-05242	1	26.52
KOM-101-63-81230	1	13.61
KOM-111-63-81230	1	14.04
KOM-178-63-22460	1	33.60
KOM-209-30-15240	1	14.08
KOM-20D-63-32290	1	13.87
KOM-20R-30-21550	1	3.61
KOM-3EE-62-25560	1	13.87
KOM-423-63-H2P04	1	5.01
KOM-423-63-H3P04	1	13.60
KOM-424-63-H0P08	1	15.86
KOM-42T-63-H0P07	10	1.38
KOM-42U-63-H0P63	10	1.13
KOM-569-63-42190	1	20.34
KOM-56D-50-13180	1	15.79
KOM-707-35-10710	1	2.09
KOM-707-35-10810	1	2.51
KOM-707-35-10860	1	2.78
KOM-707-35-10960	1	6.66
KOM-707-35-11060	1	4.23
KOM-707-35-11210	1	3.99
KOM-707-35-11260	1	5.43
KOM-707-35-30700	1	7.75
KOM-707-35-30800	1	4.92
KOM-707-35-30850	1	8.14
KOM-707-35-30900	1	4.49
KOM-707-35-31100	1	44.45

BACK-UP RINGS

Part Number	Min Pkg Qty	List Price
KOM-707-35-31210	1	\$6.12
KOM-707-35-31260	1	5.43
KOM-707-35-31300	1	5.62
KOM-707-35-31410	1	7.07
KOM-707-35-31510	1	21.41
KOM-707-35-31760	1	27.61
KOM-707-35-31910	1	104.91
KOM-707-35-52360	1	13.31
KOM-707-35-52370	1	3.61
KOM-707-35-52510	1	4.05
KOM-707-35-52520	1	19.23
KOM-707-35-52660	1	12.34
KOM-707-35-52670	1	13.03
KOM-707-35-52690	1	13.03
KOM-707-35-52700	1	12.66
KOM-707-35-52740	1	9.42
KOM-707-35-52750	1	9.63
KOM-707-35-52760	1	12.66
KOM-707-35-52770	1	12.84
KOM-707-35-52780	1	13.03
KOM-707-35-52830	1	13.03
KOM-707-35-52860	1	13.87
KOM-707-35-52880	1	15.22
KOM-707-35-52900	1	12.34
KOM-707-35-52910	1	12.66
KOM-707-35-52911	1	16.54
KOM-707-35-52920	1	12.84
KOM-707-35-52930	1	13.03
KOM-707-35-52940	1	13.31
KOM-707-35-52950	1	13.61
KOM-707-35-52951	1	13.61
KOM-707-35-52991	1	16.54
KOM-707-35-90010	1	10.88
KOM-707-35-90030	1	11.49
KOM-707-35-90300	1	2.82
KOM-707-35-90730	1	7.21
KOM-707-35-90810	1	9.51
KOM-707-35-90920	1	6.47
KOM-707-35-90940	1	9.40
KOM-707-35-90960	1	9.64
KOM-707-35-90970	1	9.64
KOM-707-35-90980	1	9.40
KOM-707-35-91020	1	10.88
KOM-707-35-91050	1	13.03

REPLACEMENT PARTS FOR KOMATSU EQUIPMENT

NOTE: Komatsu part numbers are used as a reference only. We do not imply that these kits are original REPLACEMENT PARTS.

BACK-UP RINGS

Part Number	Min Pkg Qty	List Price
KOM-707-35-91060	1	\$11.19
KOM-707-35-91100	1	13.61
KOM-707-35-91130	1	11.49
KOM-707-35-91140	1	15.04
KOM-707-35-91200	1	13.87
KOM-707-35-91220	1	12.60
KOM-707-35-91250	1	12.96
KOM-707-35-91311	1	14.04
KOM-707-35-91320	1	13.57
KOM-707-35-91440	1	15.04
KOM-707-35-91550	1	16.21
KOM-707-35-91610	1	13.61
KOM-707-35-91630	1	13.61
KOM-707-35-91650	1	17.08
KOM-707-35-91660	1	15.68
KOM-707-35-91750	1	18.28
KOM-707-35-91840	1	19.99
KOM-707-35-91850	1	3.37
KOM-707-35-92020	1	20.96
KOM-707-35-92050	1	21.52
KOM-707-35-92300	1	24.15
KOM-707-35-92600	1	27.45
KOM-707-35-92900	1	4.05
KOM-707-35-93020	1	39.08
KOM-707-35-99500	1	3.23
KOM-707-35-99510	1	4.05
KOM-707-35-99600	1	34.74
KOM-WA1425	3	3.08
KOM-WA1436	1	5.24
KOM-WA1456	1	8.89

BUFFER RINGS

Part Number	Rod Diam.	List Price
KOM-PB9910	7	\$107.48
KOM-PB9912	13	274.36
KOM-PB9911	10-1/2	170.84
KOM-PB6795	13	94.26
KOM-PB7978	14	114.15

BUFFER RINGS

Part Number	Rod Diam.	List Price
KOM-PC0470	16-1/2	\$687.03
KOM-707-51-40640	40 mm	52.43
KOM-707-51-40650	40 mm	52.43
KOM-707-51-45640	45 mm	57.25
KOM-707-51-45650	45 mm	57.25
KOM-707-51-50640	50 mm	21.19
KOM-707-51-55630	55 mm	21.31
KOM-707-51-55640	55 mm	21.31
KOM-707-51-60640	60 mm	30.27
KOM-707-51-60650	60 mm	30.27
KOM-707-51-65630	65 mm	36.00
KOM-707-51-65640	65 mm	36.00
KOM-707-51-65650	65 mm	71.39
KOM-707-51-70630	70 mm	39.30
KOM-707-51-70650	70 mm	71.81
KOM-707-51-75630	75 mm	41.78
KOM-707-51-75640	75 mm	41.78
KOM-707-51-75650	75 mm	41.78
KOM-707-51-80630	80 mm	44.24
KOM-707-51-80640	80 mm	44.24
KOM-707-51-80650	80 mm	44.24
KOM-707-51-85630	85 mm	47.47
KOM-707-51-85640	85 mm	47.47
KOM-707-51-85650	85 mm	47.47
KOM-707-51-90630	90 mm	57.30
KOM-707-51-90640	90 mm	57.30
KOM-707-51-90650	90 mm	57.30
KOM-707-51-95630	95 mm	60.49
KOM-707-51-95640	95 mm	60.49
KOM-707-51-95650	95 mm	60.49
KOM-421-63-HOP12	95 mm	60.49
KOM-707-51-10630	100 mm	62.24
KOM-707-51-10640	100 mm	62.24
KOM-707-51-10650	100 mm	62.24
KOM-707-51-11630	110 mm	67.14
KOM-707-51-11640	110 mm	67.14
KOM-707-51-11650	110 mm	99.85
KOM-707-51-11690	115 mm	128.71
KOM-707-51-12630	120 mm	72.90
KOM-707-51-12640	120 mm	72.90
KOM-707-51-12650	120 mm	138.40
KOM-707-51-13630	130 mm	113.14
KOM-707-51-13640	130 mm	113.14
KOM-707-51-13650	130 mm	113.14

BUFFER RINGS

Part Number	Rod Diam.	List Price
KOM-707-51-14630	140 mm	\$184.24
KOM-707-51-14640	140 mm	184.24
KOM-707-51-14850	140 mm	332.58
KOM-707-51-14650	140 mm	146.23
KOM-56B-50-34650	160 mm	173.04
KOM-707-51-16650	160 mm	168.25
KOM-707-51-16630	160 mm	185.17
KOM-707-51-16640	160 mm	185.17
KOM-707-51-16850	160 mm	348.42
KOM-707-51-17630	170 mm	261.11
KOM-707-51-17640	170 mm	261.11
KOM-707-51-18640	180 mm	364.39
KOM-707-51-19640	190 mm	205.45
KOM-707-51-19630	190 mm	205.45
KOM-707-51-20850	200 mm	380.12

LOCK NUTS

Part Number	List Price
KOM-VL7694	\$65.44

NYLON PLUGS

Part Number	Size	List Price
KOM-42Y-63-H0P25	5/16 x 1/4	\$2.32
KOM-42Y-72-H0P14	20 x 50	132.32

BALL - STEEL

Part Number	List Price
KOM-H2981	\$3.12

CUSHION SEALS

Part Number	List Price
KOM-EK7088	\$288.55

REPLACEMENT PARTS FOR KOMATSU EQUIPMENT

NOTE: Komatsu part numbers are used as a reference only. We do not imply that these kits are original REPLACEMENT PARTS.

DUST SEALS

Part Number	Rod Diam.	List Price
KOM-20A-70-12221	30 mm	\$11.80
KOM-22L-70-21550	35 mm	28.76
KOM-419-09-11120	40 mm	23.61
KOM-707-77-40020	40 mm	14.54
KOM-3EA-22-11210	42 mm	14.88
KOM-07145-00045	45 mm	6.84
KOM-20U-70-42530	45 mm	21.19
KOM-07145-00050	50 mm	7.76
KOM-707-77-50020	50 mm	17.87
KOM-416-09-11130	55 mm	24.04
KOM-07145-00055	55 mm	10.31
KOM-07145-00060	60 mm	10.87
KOM-21W-70-41440	60 mm	28.65
KOM-07145-00065	65 mm	12.63
KOM-417-09-11120	65 mm	23.43
KOM-707-77-65110	65 mm	24.20
KOM-22B-70-12170	65 mm	16.03
KOM-07145-00070	70 mm	13.75
KOM-07145-10075	75 mm	15.46
KOM-20Y-70-23230	80 mm	18.76
KOM-707-77-16020	160 mm	82.98

O-RINGS

Part Number	Min Pkg Qty	List Price
KOM-07000-01125	5	\$3.19
KOM-07000-02005	100	0.10
KOM-07000-02010	100	0.07
KOM-07000-02011	100	0.10
KOM-07000-02012	100	0.65
KOM-07000-02014	100	0.13
KOM-07000-02015	100	0.91
KOM-07000-02016	100	0.13
KOM-07000-02018	100	0.13
KOM-07000-02020	100	1.13
KOM-07000-02021	100	0.15
KOM-07000-02050	10	3.76
KOM-07000-02055	10	1.19
KOM-07000-02060	10	1.36
KOM-07000-02065	10	1.43
KOM-07000-02070	10	1.72
KOM-07000-02075	5	2.07
KOM-07000-02080	5	2.09
KOM-07000-02085	5	7.44

O-RINGS

Part Number	Min Pkg Qty	List Price
KOM-07000-02090	5	\$2.15
KOM-07000-02095	5	2.80
KOM-07000-02100	5	2.42
KOM-07000-02105	5	2.45
KOM-07000-02110	5	3.24
KOM-07000-02115	5	3.19
KOM-07000-02120	5	3.33
KOM-07000-02125	5	11.38
KOM-07000-02130	5	3.42
KOM-07000-02135	2	2.05
KOM-07000-02140	2	2.48
KOM-07000-02145	5	4.10
KOM-07000-03020	50	0.11
KOM-07000-03022	25	0.40
KOM-07000-03025	25	0.43
KOM-07000-03028	20	0.56
KOM-07000-03030	20	0.56
KOM-07000-03032	20	0.57
KOM-07000-03035	20	2.45
KOM-07000-03038	20	0.75
KOM-07000-03040	20	0.93
KOM-07000-03042	20	0.78
KOM-07000-03045	10	1.03
KOM-07000-03048	10	1.06
KOM-07000-03050	10	1.10
KOM-07000-03052	20	0.45
KOM-07000-03055	20	0.45
KOM-07000-03058	20	0.48
KOM-07000-03062	20	0.57
KOM-07000-03065	20	0.57
KOM-07000-03068	20	0.60
KOM-07000-03070	20	0.60
KOM-07000-03075	20	0.64
KOM-07000-03078	20	0.67
KOM-07000-03080	20	0.72
KOM-07000-03082	20	0.75
KOM-07000-03090	20	0.80
KOM-07000-03092	20	0.80
KOM-07000-03095	20	0.82
KOM-07000-03098	20	0.83
KOM-07000-03100	10	0.91
KOM-07000-03105	10	0.97
KOM-07000-03110	10	1.01
KOM-07000-03115	10	1.29
KOM-07000-03120	10	1.36
KOM-07000-03125	10	1.43
KOM-07000-03130	10	1.48

O-RINGS

Part Number	Min Pkg Qty	List Price
KOM-07000-03140	5	\$1.74
KOM-07000-05055	5	2.92
KOM-07000-05060	2	3.98
KOM-07000-05065	2	5.07
KOM-07000-05070	2	5.08
KOM-07000-05075	2	5.43
KOM-07000-05080	2	5.56
KOM-07000-05085	2	5.77
KOM-07000-05090	2	5.88
KOM-07000-05095	2	6.09
KOM-07000-05100	2	6.20
KOM-07000-05105	2	7.93
KOM-07000-05110	2	8.06
KOM-07000-05120	2	8.37
KOM-07000-05125	2	8.49
KOM-07000-05130	2	8.55
KOM-07000-05135	2	8.69
KOM-07000-05140	2	8.80
KOM-07000-05145	2	8.96
KOM-07000-05150	2	10.66
KOM-07000-05155	2	6.76
KOM-07000-05160	2	6.73
KOM-07000-05165	2	6.80
KOM-07000-05170	2	6.92
KOM-07000-05175	2	9.33
KOM-07000-05180	2	17.51
KOM-07000-05185	2	9.53
KOM-07000-05190	2	9.61
KOM-07000-05195	2	9.71
KOM-07000-05200	2	11.33
KOM-07000-05210	2	11.54
KOM-07000-05220	2	11.77
KOM-07000-05225	1	11.95
KOM-07000-05230	1	11.95
KOM-07000-05235	1	12.82
KOM-07000-05240	1	13.06
KOM-07000-05250	1	13.76
KOM-07000-05260	1	15.09
KOM-07000-05270	1	15.22
KOM-07000-05280	1	16.07
KOM-07000-05290	1	16.99
KOM-07000-05300	1	17.10
KOM-07000-05305	1	20.03
KOM-07000-05310	1	20.03
KOM-07000-05345	1	21.92
KOM-07000-05400	1	30.62
KOM-07000-05430	1	31.99

KOMATSU

REPLACEMENT PARTS FOR KOMATSU EQUIPMENT

NOTE: Komatsu part numbers are used as a reference only. We do not imply that these kits are original REPLACEMENT PARTS.

O-RINGS

Part Number	Min Pkg Qty	List Price
KOM-07000-05435	1	\$32.60
KOM-07000-05440	1	33.67
KOM-07000-05445	1	33.89
KOM-07000-05460	1	35.73
KOM-07000-05465	1	35.97
KOM-07000-05470	1	36.37
KOM-07000-05480	1	36.64
KOM-07000-05490	1	37.69
KOM-07000-05495	1	37.96
KOM-07000-05500	1	38.62
KOM-07000-12434	20	0.90
KOM-07000-15210	1	28.96
KOM-07000-22070	10	1.72
KOM-07000-32055	10	1.19
KOM-07000-33032	20	0.57
KOM-07000-62018	100	0.13
KOM-07000-62070	10	1.72
KOM-07000-62115	5	3.19
KOM-07000-62130	5	3.42
KOM-07000-63045	10	1.03
KOM-07000-65190	2	9.61
KOM-07000-B5190	1	18.63
KOM-07000-E2011	5	1.94
KOM-07002-00823	50	0.34
KOM-07002-01023	25	0.39
KOM-07002-01423	100	0.10
KOM-07002-01623	100	0.54
KOM-07002-01823	100	0.91
KOM-07002-02034	50	0.11
KOM-07002-02434	50	0.13
KOM-07002-03334	20	0.56
KOM-07002-03634	50	0.24
KOM-07002-11423	100	0.10
KOM-07002-11823	100	0.91
KOM-07002-12034	50	1.97
KOM-07002-13034	50	0.21
KOM-07002-13334	20	0.56
KOM-07002-13634	50	0.24
KOM-07002-94115	5	2.79
KOM-198-63-43430	5	2.25
KOM-21T-09-11430	25	3.49
KOM-21T-09-11450	20	3.93
KOM-21T-09-11460	2	3.93
KOM-21T-09-11470	2	4.21
KOM-3046999R1	10	1.29
KOM-42T-63-H0P04	10	1.53
KOM-42U-63-H0P05	10	1.34
KOM-707-34-18020	50	0.10

O-RINGS

Part Number	Min Pkg Qty	List Price
KOM-707-34-36000	25	\$0.22
KOM-707-34-50030	20	0.57
KOM-SL8048	5	2.44
KOM-VH7521	5	1.88
KOM-WA0100	20	0.80
KOM-WA0180	1	9.02

O-RINGS 90 DUROMETER

Part Number	Min Pkg Qty	List Price
KOM-02896-11008	50	\$0.11
KOM-02896-11009	50	0.11
KOM-02896-11012	50	0.12
KOM-02896-11015	50	0.16
KOM-02896-11018	50	0.18
KOM-02896-51015	50	0.16
KOM-02896-61009	50	0.11
KOM-02896-61012	50	0.12
KOM-02896-61015	50	0.16
KOM-02896-61018	50	0.18
KOM-07000-11008	50	0.33
KOM-07000-11009	50	0.33
KOM-07000-12010	25	0.54
KOM-07000-12011	25	0.55
KOM-07000-12012	25	0.55
KOM-07000-12014	20	0.77
KOM-07000-12015	20	0.76
KOM-07000-12016	20	0.76
KOM-07000-12018	20	0.77
KOM-07000-12021	20	1.03
KOM-07000-12055	10	2.17
KOM-07000-12060	5	2.48
KOM-07000-12065	5	2.47
KOM-07000-12070	5	2.50
KOM-07000-12075	5	9.64
KOM-07000-12080	5	3.03
KOM-07000-12085	5	3.14
KOM-07000-12090	5	3.16
KOM-07000-12095	5	3.24
KOM-07000-12100	5	3.53
KOM-07000-12105	5	3.60
KOM-07000-12110	5	3.66
KOM-07000-12115	5	3.71
KOM-07000-12120	5	4.04

O-RINGS 90 DUROMETER

Part Number	Min Pkg Qty	List Price
KOM-07000-12125	5	\$4.10
KOM-07000-12130	5	4.12
KOM-07000-12135	2	4.83
KOM-07000-12145	5	4.95
KOM-07000-13022	25	0.62
KOM-07000-13025	20	0.98
KOM-07000-13028	10	1.36
KOM-07000-13030	10	1.64
KOM-07000-13032	10	1.71
KOM-07000-13035	10	1.80
KOM-07000-13037	20	0.54
KOM-07000-13038	10	1.92
KOM-07000-13040	10	1.95
KOM-07000-13042	10	2.04
KOM-07000-13045	5	2.20
KOM-07000-13048	5	2.86
KOM-07000-13050	5	2.95
KOM-07000-13065	20	1.05
KOM-07000-13090	8	1.48
KOM-07000-13098	10	1.62
KOM-07000-13110	2	9.37
KOM-07000-13140	3	3.51
KOM-07000-15058	2	4.59
KOM-07000-15070	2	6.07
KOM-07000-15080	2	6.51
KOM-07000-15085	2	6.64
KOM-07000-15090	2	7.56
KOM-07000-15095	2	8.81
KOM-07000-15100	2	9.01
KOM-07000-15105	2	9.19
KOM-07000-15110	2	9.37
KOM-07000-15115	2	9.57
KOM-07000-15120	2	9.75
KOM-07000-15125	2	9.75
KOM-07000-15130	2	9.75
KOM-07000-15135	2	9.87
KOM-07000-15140	2	9.97
KOM-07000-15145	2	10.15
KOM-07000-15150	2	10.58
KOM-07000-15160	2	13.13
KOM-07000-15165	1	15.91
KOM-07000-15170	1	16.05
KOM-07000-15175	1	16.32
KOM-07000-15180	1	18.22
KOM-07000-15185	1	18.45
KOM-07000-15190	1	18.63
KOM-07000-15195	1	18.86
KOM-07000-15200	1	24.26

REPLACEMENT PARTS FOR KOMATSU EQUIPMENT

NOTE: Komatsu part numbers are used as a reference only. We do not imply that these kits are original REPLACEMENT PARTS.

O-RINGS 90 DUROMETER

Part Number	Min Pkg Qty	List Price
KOM-07000-15220	1	\$34.20
KOM-07000-15230	1	35.43
KOM-07000-15240	1	37.63
KOM-07000-15250	1	40.87
KOM-07000-15260	1	43.91
KOM-07000-15270	1	44.25
KOM-07000-15275	1	44.29
KOM-07000-15280	1	46.51
KOM-07000-15290	1	54.89
KOM-07000-15300	1	57.39
KOM-07000-16150	2	4.77
KOM-07000-52120	5	4.04
KOM-07000-52125	5	4.10
KOM-07000-72018	20	0.77
KOM-07000-B2055	10	2.17
KOM-07000-B2065	5	2.47
KOM-07000-B2070	5	2.50
KOM-07000-B2075	5	9.70
KOM-07000-B2080	5	3.03
KOM-07000-B2085	5	3.14
KOM-07000-B2090	5	3.16
KOM-07000-B2095	5	3.24
KOM-07000-B2105	5	3.60
KOM-07000-B2115	5	3.71
KOM-07000-B2120	5	4.04
KOM-07000-B2125	5	4.10
KOM-07000-B3035	10	1.80
KOM-07000-B5080	2	6.51
KOM-07000-B5090	2	7.56
KOM-07000-B5100	2	9.01
KOM-07000-B5105	2	9.19
KOM-07000-B5110	2	9.37
KOM-07000-B5120	2	9.75
KOM-07000-B5130	2	9.75
KOM-07000-B5135	2	9.87
KOM-07000-B5140	2	9.97
KOM-07000-B5150	2	10.58
KOM-07000-B5160	2	13.13
KOM-07000-B5175	1	16.32
KOM-07000-B5185	1	18.45
KOM-07000-F5140	1	6.96
KOM-07000-F5190	1	9.45
KOM-07002-03034	20	0.39
KOM-07002-11023	25	0.45
KOM-07002-61023	25	0.45
KOM-21T-09-11410	5	2.91
KOM-21T-09-11420	5	5.10

O-RINGS 90 DUROMETER

Part Number	Min Pkg Qty	List Price
KOM-21T-09-11440	5	\$3.49
KOM-21T-09-11480	5	4.21
KOM-21T-09-11490	5	4.50
KOM-21T-09-11510	5	4.80
KOM-423-63-H2P03	1	15.35
KOM-423-63-H3P03	1	15.04
KOM-424-63-H0P07	1	14.45
KOM-42T-63-H0P08	10	1.20
KOM-42T-63-H0P09	20	0.74
KOM-42U-09-H1550	20	1.01
KOM-707-34-10600	5	3.24
KOM-707-34-55020	2	4.59
KOM-707-34-60030	2	6.46
KOM-723-46-17530	50	0.30
KOM-WA0436	1	4.77
KOM-WA0456	1	17.49
KOM-WA5668	1	10.72

PISTON SEALS

Part Number	Bore Diam.	List Price
KOM-VN4087	5	\$33.51
KOM-PC0584	6-1/2	180.19
KOM-PB8615	9-1/2	275.75
KOM-PB8618	11-3/4	304.80
KOM-PB8908	14	348.62
KOM-707-44-45070	45 mm	22.10
KOM-707-44-50180	50 mm	112.95
KOM-707-44-55180	55 mm	50.46
KOM-707-44-55150	55 mm	50.46
KOM-707-44-60180	60 mm	56.19
KOM-707-44-65180	65 mm	33.66
KOM-707-44-70070	70 mm	56.19
KOM-707-44-70080	70 mm	56.19
KOM-707-44-70110	70 mm	56.19
KOM-707-44-70180	70 mm	56.19
KOM-42U-63-H0P65	70 mm	19.39
KOM-707-44-70150	70 mm	56.19
KOM-707-44-75150	75 mm	54.50
KOM-707-44-75180	75 mm	54.50
KOM-42T-63-H0P11	80 mm	43.78
KOM-07161-10080	80 mm	19.66
KOM-707-44-80080	80 mm	61.08

PISTON SEALS

Part Number	Bore Diam.	List Price
KOM-707-44-80070	80 mm	\$19.66
KOM-707-44-80180	80 mm	61.08
KOM-707-44-85180	85 mm	70.22
KOM-707-44-10150	85 mm	114.15
KOM-707-44-85150	85 mm	70.22
KOM-707-44-90070	90 mm	13.14
KOM-707-44-90080	90 mm	68.82
KOM-707-44-90120	90 mm	72.26
KOM-707-44-90151	90 mm	72.26
KOM-707-44-90180	90 mm	68.82
KOM-707-44-90150	90 mm	68.82
KOM-707-44-90181	90 mm	72.26
KOM-707-44-95180	95 mm	70.22
KOM-707-44-95150	95 mm	70.22
KOM-707-44-10080	100 mm	74.35
KOM-707-44-10180	100 mm	74.35
KOM-707-44-10120	100 mm	114.15
KOM-707-44-10250	105 mm	77.72
KOM-707-44-10280	105 mm	77.72
KOM-707-44-10911	105 mm	31.94
KOM-707-44-11080	110 mm	79.13
KOM-707-44-11150	110 mm	79.13
KOM-707-44-11180	110 mm	79.13
KOM-707-44-11250	115 mm	87.43
KOM-707-44-11280	115 mm	87.43
KOM-707-44-11920	115 mm	59.05
KOM-707-44-12080	120 mm	82.47
KOM-707-44-12150	120 mm	82.47
KOM-707-44-12180	120 mm	82.47
KOM-707-44-12280	125 mm	91.68
KOM-707-44-12250	125 mm	91.68
KOM-707-42-13012	130 mm	27.12
KOM-707-44-13070	130 mm	99.53
KOM-707-44-13080	130 mm	99.08
KOM-707-44-13150	130 mm	99.08
KOM-707-44-13180	130 mm	99.08
KOM-707-44-13911	130 mm	66.89
KOM-707-44-13250	135 mm	105.41
KOM-707-44-13280	135 mm	105.41
KOM-707-44-13920	135 mm	41.01
KOM-707-44-14080	140 mm	112.19
KOM-707-44-14150	140 mm	112.19
KOM-707-44-14180	140 mm	112.19
KOM-707-44-14280	145 mm	113.01
KOM-707-44-15080	150 mm	122.05
KOM-707-44-15150	150 mm	122.05

REPLACEMENT PARTS FOR KOMATSU EQUIPMENT

NOTE: Komatsu part numbers are used as a reference only. We do not imply that these kits are original REPLACEMENT PARTS.

PISTON SEALS

Part Number	Bore Diam.	List Price
KOM-707-44-15180	150 mm	\$122.05
KOM-707-44-15190	150 mm	122.05
KOM-707-44-15280	155 mm	94.51
KOM-423-63-H2P06	160 mm	138.62
KOM-707-44-16080	160 mm	138.62
KOM-707-44-16150	160 mm	138.62
KOM-707-44-16180	160 mm	138.62
KOM-707-44-16190	160 mm	138.62
KOM-707-44-16280	165 mm	153.28
KOM-707-44-17180	170 mm	157.08
KOM-423-63-H3P06	180 mm	145.30
KOM-707-44-18080	180 mm	145.30
KOM-707-44-18180	180 mm	145.30
KOM-707-44-18190	180 mm	145.30
KOM-707-44-18150	180 mm	145.30
KOM-707-44-18250	185 mm	151.91
KOM-707-44-18280	185 mm	151.91
KOM-707-44-18290	185 mm	151.91
KOM-424-63-H0P10	200 mm	171.57
KOM-707-44-20080	200 mm	171.57
KOM-707-44-20180	200 mm	171.57
KOM-707-44-20190	200 mm	171.57
KOM-707-44-20020	200 mm	471.24
KOM-707-44-20150	200 mm	171.57
KOM-707-44-25010	210 mm	786.46
KOM-707-44-22080	225 mm	218.49
KOM-707-44-22180	225 mm	218.49
KOM-707-44-22250	225 mm	218.49
KOM-707-44-22280	225 mm	218.49
KOM-707-44-22290	225 mm	218.49
KOM-707-44-25080	250 mm	233.39
KOM-707-44-25180	250 mm	233.39
KOM-707-44-25190	250 mm	233.39
KOM-707-44-26180	260 mm	233.39
KOM-707-44-28080	280 mm	261.70
KOM-707-44-28180	280 mm	261.70
KOM-707-44-30010	300 mm	945.88

OIL SEALS

Part Number	List Price
KOM-20A-70-12211	\$16.12
KOM-707-77-18010	177.44

ROD BUSHINGS

Part Number	Rod Diam.	List Price
KOM-707-52-10260	20 mm	\$4.41
KOM-707-52-10261	20 mm	4.41
KOM-07177-02525	25 mm	6.57
KOM-707-52-15050	30 mm	8.93
KOM-07177-03025	30 mm	8.93
KOM-707-52-15110	35 mm	9.90
KOM-07177-03525	35 mm	9.90
KOM-707-52-10411	40 mm	13.16
KOM-707-52-15130	40 mm	11.24
KOM-707-52-90150	40 mm	11.24
KOM-707-52-90151	40 mm	11.24
KOM-07177-04025	40 mm	11.24
KOM-707-52-10410	40 mm	13.16
KOM-707-52-15210	45 mm	15.43
KOM-707-52-90200	45 mm	20.25
KOM-707-52-90201	45 mm	20.25
KOM-707-52-90220	45 mm	11.24
KOM-707-52-90221	45 mm	11.24
KOM-07177-04530	45 mm	15.43
KOM-707-52-15230	50 mm	18.73
KOM-707-52-90250	50 mm	18.73
KOM-707-52-90251	50 mm	18.73
KOM-707-52-90260	50 mm	15.61
KOM-07177-05030	50 mm	18.73
KOM-707-52-15310	55 mm	22.11
KOM-707-52-90300	55 mm	22.29
KOM-707-52-90301	55 mm	22.29
KOM-07177-05530	55 mm	22.11
KOM-707-52-15330	60 mm	22.48
KOM-707-52-90351	60 mm	22.48
KOM-07177-06030	60 mm	22.48
KOM-707-52-10661	65 mm	27.20
KOM-707-52-90401	65 mm	26.16
KOM-707-52-90420	65 mm	25.14
KOM-707-52-90421	65 mm	25.14
KOM-07177-06515	65 mm	15.25
KOM-07177-06530	65 mm	26.16
KOM-707-52-10660	65 mm	27.20
KOM-707-52-90400	65 mm	26.16
KOM-707-52-15410	65 mm	26.16
KOM-707-52-10701	70 mm	27.17
KOM-707-52-90451	70 mm	29.53
KOM-707-52-90461	70 mm	12.34
KOM-707-52-90470	70 mm	27.78
KOM-707-52-90471	70 mm	27.78

ROD BUSHINGS

Part Number	Rod Diam.	List Price
KOM-07177-07015	70 mm	\$24.38
KOM-07177-07030	70 mm	29.53
KOM-707-52-10700	70 mm	27.17
KOM-707-52-90450	70 mm	29.53
KOM-707-52-15430	70 mm	29.53
KOM-707-52-90501	75 mm	13.23
KOM-707-52-90520	75 mm	31.45
KOM-707-52-90521	75 mm	31.45
KOM-07177-07530	75 mm	32.68
KOM-707-52-90500	75 mm	32.68
KOM-707-52-15510	75 mm	32.68
KOM-707-52-15520	80 mm	36.64
KOM-707-52-90560	80 mm	37.68
KOM-707-52-90561	80 mm	37.68
KOM-07177-08030	80 mm	37.68
KOM-07177-08040	80 mm	40.95
KOM-707-52-10750	80 mm	37.33
KOM-707-52-90550	80 mm	40.95
KOM-07177-08035	80 mm	35.02
KOM-707-52-15540	80 mm	35.02
KOM-707-52-90610	85 mm	41.83
KOM-707-52-90611	85 mm	41.83
KOM-707-52-10850	85 mm	44.67
KOM-707-52-90600	85 mm	44.67
KOM-707-52-15600	90 mm	40.03
KOM-707-52-90680	90 mm	44.23
KOM-707-52-90681	90 mm	44.23
KOM-07177-09020	90 mm	40.03
KOM-07177-09035	90 mm	47.41
KOM-07177-09040	90 mm	51.52
KOM-707-52-10910	90 mm	53.65
KOM-707-52-10911	90 mm	53.65
KOM-707-52-90650	90 mm	51.52
KOM-707-52-90651	90 mm	51.52
KOM-707-52-15620	90 mm	51.52
KOM-707-52-15770	95 mm	44.00
KOM-707-52-90720	95 mm	45.45
KOM-707-52-90721	95 mm	45.45
KOM-707-52-10950	95 mm	53.46
KOM-707-52-90710	95 mm	57.53
KOM-707-52-10951	95 mm	53.46
KOM-707-52-11011	100 mm	71.72
KOM-707-52-15700	100 mm	35.03
KOM-707-52-90760	100 mm	49.41
KOM-707-52-90780	100 mm	50.23

REPLACEMENT PARTS FOR KOMATSU EQUIPMENT

NOTE: Komatsu part numbers are used as a reference only. We do not imply that these kits are original REPLACEMENT PARTS.

ROD BUSHINGS

Part Number	Rod Diam.	List Price
KOM-707-52-90781	100 mm	\$50.23
KOM-07177-01020	100 mm	35.03
KOM-07177-01035	100 mm	62.28
KOM-07177-01040	100 mm	62.79
KOM-707-52-11010	100 mm	71.72
KOM-707-52-90750	100 mm	71.72
KOM-707-52-15730	110 mm	50.23
KOM-707-52-90850	110 mm	55.25
KOM-707-52-90851	110 mm	55.25
KOM-707-52-90861	110 mm	105.97
KOM-07177-01135	110 mm	55.25
KOM-07177-01140	110 mm	63.48
KOM-707-52-11110	110 mm	105.97
KOM-707-52-90860	110 mm	105.97
KOM-707-52-90980	120 mm	84.31
KOM-707-52-90981	120 mm	84.31
KOM-07177-01220	120 mm	59.19
KOM-07177-01240	120 mm	78.34
KOM-707-52-11210	120 mm	99.86
KOM-707-52-16800	120 mm	58.43
KOM-707-52-90950	120 mm	99.86
KOM-07177-01235	120 mm	58.61
KOM-707-52-15820	120 mm	78.34
KOM-707-52-91070	130 mm	92.74
KOM-707-52-91071	130 mm	92.74
KOM-707-52-11410	140 mm	142.17
KOM-07177-01435	140 mm	123.79
KOM-07177-01440	140 mm	120.53
KOM-707-52-91150	140 mm	142.17
KOM-707-52-91151	140 mm	142.17
KOM-707-52-11610	160 mm	144.82
KOM-707-52-11611	160 mm	144.82
KOM-707-52-91350	160 mm	144.82
KOM-707-52-91351	160 mm	144.82
KOM-707-52-91550	180 mm	191.46
KOM-707-52-91551	180 mm	191.46

ROD U-SEALS

Part Number	Rod Diam.	List Price
KOM-VZ4432	2-1/2	\$18.30
KOM-PB9800	7	326.76
KOM-PB9804	10-1/2	440.05
KOM-PC0469	15-3/4	967.42
KOM-707-51-20030	20 mm	61.03
KOM-707-51-25030	25 mm	25.00
KOM-707-51-25210	25 mm	7.87
KOM-707-51-30030	30 mm	35.27
KOM-707-51-30210	30 mm	10.48
KOM-707-51-35210	35 mm	8.70
KOM-42U-63-H0P04	35 mm	11.83
KOM-707-51-40110	40 mm	15.20
KOM-707-51-40030	40 mm	32.76
KOM-707-51-40210	40 mm	16.25
KOM-707-51-45860	45 mm	40.19
KOM-42T-63-H0P03	45 mm	18.26
KOM-707-51-45110	45 mm	19.16
KOM-707-51-45030	45 mm	62.08
KOM-707-51-45210	45 mm	13.80
KOM-707-51-50030	50 mm	52.13
KOM-707-51-50110	50 mm	23.20
KOM-707-51-50210	50 mm	19.29
KOM-707-51-50211	50 mm	34.84
KOM-707-51-50860	50 mm	42.76
KOM-130-63-12173	55 mm	22.18
KOM-707-51-55030	55 mm	59.06
KOM-707-51-55110	55 mm	22.18
KOM-707-51-55211	55 mm	40.51
KOM-707-51-60860	60 mm	55.67
KOM-707-51-60030	60 mm	49.87
KOM-707-51-60060	60 mm	35.32
KOM-707-51-60211	60 mm	35.32
KOM-707-51-60110	60 mm	25.12
KOM-707-51-65860	65 mm	59.69
KOM-707-51-65210	65 mm	22.56
KOM-707-51-65030	65 mm	50.82
KOM-707-51-65110	65 mm	24.86
KOM-707-51-65211	65 mm	35.95
KOM-707-51-70730	70 mm	59.50
KOM-707-51-70860	70 mm	63.78
KOM-154-63-42370	70 mm	28.92
KOM-154-63-42373	70 mm	28.92
KOM-707-51-70020	70 mm	26.50
KOM-707-51-70030	70 mm	53.26

ROD U-SEALS

Part Number	Rod Diam.	List Price
KOM-707-51-70110	70 mm	\$28.92
KOM-707-51-70211	70 mm	37.67
KOM-707-51-75030	75 mm	57.55
KOM-707-51-75110	75 mm	29.15
KOM-707-51-75211	78 mm	40.71
KOM-707-51-80030	80 mm	59.41
KOM-707-51-80110	80 mm	32.07
KOM-707-51-80120	80 mm	22.66
KOM-707-51-80211	80 mm	42.03
KOM-707-51-85120	85 mm	35.35
KOM-707-51-85130	85 mm	45.37
KOM-707-51-85030	85 mm	64.15
KOM-707-51-85211	85 mm	45.37
KOM-707-51-90860	90 mm	89.16
KOM-707-51-90120	90mm	37.22
KOM-707-51-90130	90 mm	48.25
KOM-154-63-52171	90 mm	30.04
KOM-154-63-52173	90 mm	30.04
KOM-707-51-90030	90 mm	68.24
KOM-707-51-90110	90 mm	30.04
KOM-707-51-90211	90 mm	48.25
KOM-707-51-95030	95 mm	71.25
KOM-707-51-95120	95 mm	39.36
KOM-707-51-95211	95 mm	50.42
KOM-707-51-10030	100 mm	72.02
KOM-707-51-10110	100 mm	39.04
KOM-707-51-10120	100 mm	27.41
KOM-707-51-10130	100 mm	50.94
KOM-707-51-10211	100 mm	50.94
KOM-707-51-11030	110 mm	93.01
KOM-707-51-11100	110 mm	54.72
KOM-707-51-11110	110 mm	54.38
KOM-707-51-11810	110 mm	54.72
KOM-707-51-11860	110 mm	45.64
KOM-56D-50-13170	110 mm	54.38
KOM-56D-50-13171	110 mm	88.03
KOM-707-51-11050	115 mm	147.82
KOM-707-51-11890	115 mm	96.37
KOM-707-51-12030	120 mm	95.63
KOM-707-51-12860	120 mm	136.34
KOM-707-51-12870	120 mm	61.21
KOM-707-51-12110	120 mm	64.31
KOM-707-51-13030	130 mm	141.32
KOM-707-51-13130	130 mm	74.94

REPLACEMENT PARTS FOR KOMATSU EQUIPMENT

NOTE: Komatsu part numbers are used as a reference only. We do not imply that these kits are original REPLACEMENT PARTS.

ROD U-SEALS

Part Number	Rod Diam.	List Price
KOM-707-51-14870	140 mm	\$182.96
KOM-707-51-14030	140 mm	75.40
KOM-707-51-14080	140 mm	143.14
KOM-707-51-14110	140 mm	75.40
KOM-707-51-14130	140 mm	66.42
KOM-56B-50-13160	140 mm	181.18
KOM-56B-50-13161	140 mm	181.18
KOM-56B-50-33160	160 mm	97.00
KOM-707-51-16860	160 mm	187.73
KOM-707-51-16030	160 mm	240.14
KOM-707-51-16130	160 mm	134.39
KOM-707-51-17030	170 mm	219.37
KOM-707-51-17130	170 mm	148.96
KOM-707-51-18030	180 mm	245.47
KOM-707-51-18130	180 mm	183.96
KOM-707-51-19030	190 mm	252.74
KOM-707-51-20250	200 mm	233.30
KOM-707-51-20080	200 mm	278.92

WEAR RINGS

Part Number	OD X Width	List Price
KOM-PC0554	3-1/2 X 1-1/2	\$21.09
KOM-DA2068	4-5/8 X 1	34.07
KOM-VZ1988	6-1/2 X 1.615	80.14
KOM-PB9802	7-1/4 X 2	166.22
KOM-PB6555	9-1/2 X 1-1/4	67.04
KOM-PB9806	10-1/2 X 2	197.22
KOM-PB7444	11-3/4 X 1-1/4	178.98
KOM-PB9810	13-1/4 X 2	207.91
KOM-PB6792	14 X 1-1/4	254.05
KOM-707-39-35010	35 X 9.85 mm	5.56
KOM-707-39-45010	45 X 9.9 mm	2.62
KOM-42T-63-H0P05	49 X 25 mm	9.70
KOM-10E-63-32390	50 X 10 mm	9.60
KOM-07155-00515	50 X 14.8 mm	22.78
KOM-707-39-55110	55 X 9.85 mm	8.62
KOM-07155-00615	60 X 14.5 mm	14.24
KOM-707-39-65190	65 X 10 mm	8.89
KOM-07155-00720	70 X 20 mm	12.94
KOM-42U-63-H0P64	70 X 9.5 mm	17.11
KOM-07156-00710	70 X 9.9 mm	6.23
KOM-707-39-75030	75 X 20 mm	15.98

WEAR RINGS

Part Number	OD X Width	List Price
KOM-07156-00810	80 X 10 mm	\$17.29
KOM-42T-63-H0P10	80 X 10 mm	31.18
KOM-07155-00820	80 X 20 mm	31.89
KOM-707-39-90110	90 X 12.5 mm	36.28
KOM-07155-00925	90 X 25 mm	21.64
KOM-707-39-95120	95 X 12.5 mm	36.74
KOM-707-39-95030	95 X 9.85 mm	34.71
KOM-207-30-41360	95 X 25 mm	8.89
KOM-707-39-10100	100 X 12.3 mm	30.16
KOM-07156-01012	100 X 12.5 mm	15.98
KOM-07155-01025	100 X 25 mm	20.62
KOM-707-39-10010	100 X 30 mm	12.29
KOM-707-39-10020	100 X 9.8 mm	12.45
KOM-707-39-10520	105 X 12.5 mm	35.55
KOM-707-39-10510	105 X 12.5 mm	16.73
KOM-707-39-10550	105 X 9.8 mm	27.13
KOM-07156-01112	110 X 12.5 mm	16.09
KOM-707-39-11110	110 X 12.5 mm	50.89
KOM-07155-01125	110 X 25 mm	26.31
KOM-707-39-11150	110 X 9.8 mm	29.47
KOM-707-39-11530	115 X 10 mm	17.45
KOM-707-39-11520	115 X 15 mm	21.04
KOM-707-39-11510	115 X 15 mm	60.00
KOM-07156-01215	120 X 15 mm	41.13
KOM-707-39-12100	120 X 15 mm	41.13
KOM-707-39-12110	120 X 15 mm	63.56
KOM-07155-01230	120 X 30 mm	31.90
KOM-707-39-12140	120 X 9.8 mm	31.09
KOM-707-39-12520	125 X 14.8 mm	26.10
KOM-707-39-12530	125 X 14.85 mm	34.20
KOM-707-39-12560	125 X 9.8 mm	28.75
KOM-707-39-13150	130 X 10 mm	25.86
KOM-07156-01315	130 X 14.8 mm	25.54
KOM-707-39-13110	130 X 15 mm	64.20
KOM-07155-01330	130 X 30 mm	40.97
KOM-707-39-13530	135 X 10 mm	59.63
KOM-707-39-13510	135 X 15 mm	69.70
KOM-707-39-14110	140 X 12.5 mm	30.26
KOM-07156-01417	140 X 17.5 mm	28.35
KOM-707-39-14820	140 X 17.5 mm	82.70
KOM-707-39-14100	140 X 17.5 mm	28.35
KOM-07155-01435	140 X 35 mm	15.98
KOM-707-39-15110	150 X 12.2 mm	87.46
KOM-707-39-15820	150 X 17.5 mm	57.06
KOM-707-44-01580	150 X 17.5 mm	57.06
KOM-07155-01535	150 X 35 mm	71.58

WEAR RINGS

Part Number	OD X Width	List Price
KOM-56D-50-13221	150 X 49.9 mm	\$38.58
KOM-707-39-16120	160 X 14.8 mm	33.97
KOM-707-39-16100	160 X 20 mm	63.59
KOM-07156-01620	160 X 20 mm	63.59
KOM-707-39-16820	160 X 20 mm	92.18
KOM-07155-01640	160 X 40 mm	78.34
KOM-707-39-17020	170 X 20 mm	112.96
KOM-07156-01822	180 X 22.5 mm	92.90
KOM-707-39-18030	180 X 22.5 mm	104.88
KOM-07155-01845	180 X 45 mm	28.65
KOM-56A-50-11160	180 X 79.8 mm	72.77
KOM-707-39-18510	185 X 22.5 mm	104.28
KOM-707-39-18830	185 X 22.5 mm	104.28
KOM-07156-02022	200 X 22 mm	29.46
KOM-707-39-20820	200 X 22.5 mm	96.71
KOM-707-39-20020	200 X 22.5 mm	96.71
KOM-07155-02045	200 X 45 mm	60.14
KOM-707-39-22800	213 X 25 mm	122.60
KOM-707-39-22820	225 X 25 mm	122.60
KOM-07156-02225	225 X 25 mm	108.40
KOM-581-63-22581	225 X 50 mm	108.75
KOM-07155-02250	225 X 50 mm	108.75
KOM-707-39-25820	250 X 27.5 mm	133.38
KOM-707-39-25011	250 X 27.5 mm	133.38
KOM-07155-02555	250 X 55 mm	139.70
KOM-707-39-26820	260 X 27.5 mm	208.41
KOM-707-39-28820	280 X 30 mm	146.51
KOM-07155-02860	280 X 60 mm	192.94
KOM-707-39-30820	300 X 30 mm	264.30
KOM-707-39-30900	300 X 30 mm	264.30

REPLACEMENT PARTS FOR KOMATSU EQUIPMENT

NOTE: Komatsu part numbers are used as a reference only. We do not imply that these kits are original REPLACEMENT PARTS.

WIPERS

Part Number	Rod Diam.	List Price
KOM-3EC-V1-A1830	2	\$2.36
KOM-VZ4044	2-1/2	20.36
KOM-PC0552	3-1/4	25.57
KOM-PC0471	15-3/4	699.32
KOM-707-56-20590	20 mm	6.00
KOM-07016-20256	25 mm	8.48
KOM-707-56-25510	25 mm	8.48
KOM-707-56-25740	25 mm	15.65
KOM-707-56-30510	30 mm	18.98
KOM-707-56-30740	30 mm	18.98
KOM-175-63-75190	35 mm	18.91
KOM-42U-63-H0P62	35 mm	25.17
KOM-707-56-35740	35 mm	20.03
KOM-07016-00407	40 mm	24.48
KOM-707-56-40580	40 mm	24.48
KOM-07016-20407	40 mm	23.11
KOM-198-63-75190	40 mm	23.11
KOM-707-56-45510	40 mm	24.48
KOM-707-56-40740	40 mm	24.48
KOM-112-63-15370	45 mm	26.57
KOM-42T-63-H0P02	45 mm	3.99
KOM-707-56-45580	45 mm	26.57
KOM-07016-20457	45 mm	25.20
KOM-707-56-45740	45 mm	26.57
KOM-176-63-92240	50 mm	26.91
KOM-707-56-50540	50 mm	26.91
KOM-707-56-50740	50 mm	26.91
KOM-07016-20507	50 mm	26.47
KOM-113-30-24240	50 mm	26.47
KOM-707-56-55540	55 mm	32.04
KOM-07016-00558	55 mm	30.24
KOM-707-56-55510	55 mm	32.04
KOM-11Y-30-14390	55 mm	12.70
KOM-203-30-66330	60 mm	15.95
KOM-07016-20608	60 mm	34.73
KOM-141-63-93270	60 mm	32.77
KOM-707-56-60540	60 mm	34.73
KOM-707-56-60740	60 mm	34.73
KOM-144-30-14340	60 mm	15.95
KOM-707-56-65540	65 mm	36.81
KOM-07016-00658	65 mm	34.75
KOM-07016-20658	65 mm	36.81
KOM-144-63-92170	65 mm	36.81
KOM-707-56-65740	65 mm	36.81
KOM-707-56-65770	65 mm	38.65
KOM-12G-30-64340	65 mm	14.63
KOM-206-30-55150	70 mm	15.33
KOM-20Y-70-23220	70 mm	30.40

WIPERS

Part Number	Rod Diam.	List Price
KOM-21K-70-12180	70 mm	\$26.43
KOM-707-56-70540	70 mm	39.51
KOM-07016-00708	70 mm	37.30
KOM-07016-20708	70 mm	37.30
KOM-144-63-95170	70 mm	39.51
KOM-707-56-70651	70 mm	39.51
KOM-707-56-70740	70 mm	39.51
KOM-707-56-70820	70 mm	39.51
KOM-07016-20758	75 mm	40.10
KOM-144-63-94170	75 mm	40.10
KOM-17M-50-24360	75 mm	16.26
KOM-205-70-62140	80 mm	57.43
KOM-07016-20808	80 mm	47.29
KOM-195-50-22860	80 mm	18.38
KOM-195-63-92190	80 mm	50.10
KOM-707-56-80740	80 mm	50.10
KOM-707-56-80820	80 mm	30.12
KOM-07016-20858	85 mm	53.67
KOM-707-56-85510	85 mm	56.86
KOM-707-56-85740	85 mm	56.86
KOM-707-56-85800	85 mm	36.02
KOM-707-56-85820	85 mm	36.02
KOM-205-70-62180	90 mm	73.35
KOM-207-30-54160	90 mm	16.68
KOM-207-70-72120	90 mm	73.35
KOM-707-56-90740	90 mm	61.48
KOM-07016-00908	90 mm	58.02
KOM-195-63-74170	90 mm	58.02
KOM-195-63-94170	90 mm	61.48
KOM-707-56-90820	90 mm	37.28
KOM-07016-20958	95 mm	59.34
KOM-707-56-95510	95 mm	31.94
KOM-421-09-11310	95 mm	19.24
KOM-707-56-95740	95 mm	31.94
KOM-707-56-95820	95 mm	42.22
KOM-207-30-41340	95 mm	40.26
KOM-208-30-54150	100 mm	21.36
KOM-707-56-10770	100 mm	66.90
KOM-707-56-10740	100 mm	66.90
KOM-707-56-10800	100 mm	57.34
KOM-707-56-10820	100 mm	57.34
KOM-07016-01008	100 mm	63.64
KOM-07016-21008	100 mm	60.92
KOM-176-63-56170	100 mm	64.55
KOM-208-70-12231	100 mm	41.17
KOM-168-63-94170	110 mm	66.11
KOM-421-09-11320	110 mm	63.77
KOM-07016-21109	110 mm	62.41

WIPERS

Part Number	Rod Diam.	List Price
KOM-198-63-94170	110 mm	\$62.41
KOM-56D-50-13190	110 mm	25.92
KOM-707-56-11670	110 mm	115.25
KOM-707-56-11700	110 mm	65.90
KOM-707-56-11740	110 mm	104.53
KOM-707-56-11820	110 mm	65.90
KOM-707-56-11610	115 mm	28.78
KOM-707-56-11840	115 mm	31.56
KOM-421-09-11350	120 mm	81.46
KOM-07016-21209	120 mm	68.29
KOM-195-63-93170	120 mm	68.29
KOM-707-56-12670	120 mm	137.33
KOM-707-56-12700	120 mm	66.30
KOM-707-56-12740	120 mm	124.57
KOM-17A-30-43540	120 mm	36.89
KOM-421-09-11330	125 mm	80.70
KOM-707-56-13520	130 mm	74.73
KOM-198-63-93170	140 mm	81.12
KOM-07016-21400	140 mm	76.56
KOM-198-50-11171	140 mm	19.62
KOM-56B-50-13170	140 mm	39.10
KOM-707-56-14740	140 mm	129.63
KOM-707-56-16510	160 mm	104.90
KOM-566-63-22241	160 mm	104.90
KOM-569-50-61230	160 mm	52.98
KOM-707-56-16740	160 mm	104.90
KOM-707-56-17580	170 mm	116.98
KOM-707-56-17510	170 mm	265.40
KOM-707-56-17740	170 mm	116.98
KOM-707-56-18520	180 mm	133.28
KOM-568-63-22620	190 mm	124.17
KOM-581-63-92670	200 mm	138.57

U-SEALS

Part Number	Rod Diam.	List Price
KOM-3EC-V1-A1820	2	\$10.45
KOM-3EC-V1-A1840	2	10.45
KOM-PB8239	3	24.79
KOM-PC0553	3-1/4	27.87
KOM-PB9800	7	326.76
KOM-PB9808	13	468.62
KOM-PC0625	14	281.24
KOM-232-63-12451	70 mm	12.47
KOM-707-42-10012	80 mm	12.77

REPLACEMENT PARTS FOR KOMATSU EQUIPMENT

NOTE: Komatsu part numbers are used as a reference only. We do not imply that these kits are original REPLACEMENT PARTS.

WASHERS

Part Number	List Price
KOM-150-30-13480	\$5.10
KOM-707-45-85930	34.22
KOM-TY1503	47.63

RETAINER RINGS

Part Number	List Price
KOM-04064-02512	\$2.87
KOM-04064-03515	1.48
KOM-04064-04518	5.67
KOM-04064-06525	4.22
KOM-04064-07025	4.80
KOM-04064-07525	3.06
KOM-04065-05220	5.53
KOM-04065-07025	2.61
KOM-04065-07525	6.92
KOM-04065-08025	9.35
KOM-04070-00120	22.23
KOM-04077-00075	154.07
KOM-04077-00085	147.82
KOM-04077-00090	32.22
KOM-07179-12047	3.75
KOM-150-30-13460	1.92
KOM-201-30-71310	96.09
KOM-PC1050	96.39
KOM-04070-00120	22.23
KOM-04077-00075	154.07
KOM-04077-00085	147.82
KOM-04077-00090	32.22
KOM-201-30-71310	96.09

SPACERS

Part Number	List Price
KOM-11Y-30-14380	\$43.74
KOM-12G-30-64350	34.00
KOM-134-30-63181	53.86
KOM-144-30-14350	79.49
KOM-17A-30-48491	100.72

GREASE FITTINGS

Part Number	List Price
KOM-07020-00000	\$3.38
KOM-07020-00675	3.38
KOM-07020-00900	6.76

PISTON U-SEALS

Part Number	Bore Diam.	List Price
KOM-707-44-35010	35 mm	\$5.10
KOM-09370-00040	40 mm	9.51
KOM-09370-00050	50 mm	12.68
KOM-09370-00060	60 mm	23.02
KOM-707-44-75181	75 mm	57.22
KOM-707-44-85181	85 mm	73.74
KOM-09370-00090	90 mm	18.47
KOM-207-30-41350	95 mm	72.68
KOM-09370-00100	100 mm	23.44
KOM-110-61-14250	100 mm	41.99
KOM-707-42-12012	100 mm	74.59
KOM-707-44-11281	115 mm	91.80
KOM-175-30-24242	100 mm	29.98
KOM-209-30-15230	140 mm	65.72

STEEL PLUGS

Part Number	List Price
KOM-TY8879	\$116.29
KOM-VM0314	30.65
KOM-VM2202	80.12

SCREWS

Part Number	List Price
KOM-C1611	\$1.50
KOM-VN6410	2.95

REPLACEMENT KITS FOR KOMATSU® LIFT TRUCKS

NOTE: Komatsu part numbers are used as a reference only. We do not imply that these kits are original REPLACEMENT KITS.

Kit Number	Code (Pg. xiv)	Rod X Bore Size	List Price
KOM-34A-63-05010	I-U-4,12	50 X 70 mm	\$174.85
KOM-34A-64-05010	I-U-1	30mm Rod Kit	32.65
KOM-34B-63-05011	I-U-4,10	55 X 80 mm	219.92
KOM-34B-63-05021	I-U-4,10	60 X 80 mm	210.12
KOM-34B-64-05010	I-U-1	35 X 50 mm	47.08
KOM-3EA-64-05020	I-U-1	25 X 60 mm	52.02
KOM-3EA-64-05030	I-U-1	35mm Rod Kit	56.49
KOM-3EA-64-05190	I-U-10	1 X 2-1/2	56.58
KOM-3EB-34-05010	O-Ring Kit		28.01
KOM-3EB-63-05010	P-U-4	40 X 50 mm	124.69
KOM-3EB-63-05020	P-U-4	45 X 55 mm	55.94
KOM-3EB-64-05010	I-U-1	25 X 50 mm	44.28
KOM-3EB-64-05020	I-U-1	25 X 50 mm	67.81

Kit Number	Code (Pg. xiv)	Rod X Bore Size	List Price
KOM-3EB-64-05020L	P-U-10	25 X 50mm	\$39.13
KOM-3EB-64-05050	I-U-1	30 X 70 mm	52.04
KOM-3EB-64-05050L	I-U-3	30 X 70 mm	47.10
KOM-3EB-64-05060	I-U-1	35 X 65 mm	45.99
KOM-3EB-64-05091	I-U-3	30 X 70 mm	38.28
KOM-3EB-64-05190	I-U-10	1-1/4 X 2-3/4	68.09
KOM-3EB-64-A2000	I-U-10	1-5/8 X 2-1/2	87.27
KOM-3EB-64-A5191	I-U-10	1-1/4 X 2-3/4	113.66
KOM-3EC-63-05020	P-U-4	50 X 70 mm	86.16
KOM-3EC-64-05010L	I-U-3	45 X 90 mm	54.05
KOM-3EC-64-05190	I-U-10	1-3/4 X 3-1/2	63.94
KOM-3EC-64-A2390	I-U-10	1 X 2	47.97
KOM-ON43001-07567	I-U-10	50 X 75 mm	142.15

KOMATSU® TRACK ADJUSTER KITS

Kit Number	Code (Pg. xiv)	Bore Size	List Price
KOM-1909018	P-N-4	60 mm	\$66.17
KOM-1909019	N-N-4	70 mm	34.42
KOM-1909020	N-N-4	70 mm	39.46
KOM-1909021	P-N-4	70 mm	36.22
KOM-1909022	P-N-4	90 mm	47.08

Kit Number	Code (Pg. xiv)	Bore Size	List Price
KOM-1909023	N-N-4	100 mm	\$38.26
KOM-1909025	P-N-4	100 mm	47.29
KOM-1909041	P-OB-1	40 mm Rod	9.46
KOM-1909043	N-N-4	40 mm	64.13

REPLACEMENT KITS FOR KOMATSU® TRACK ADJUSTER

Kit Number	Code (Pg. xiv)	Rod X Bore Size	List Price
KOM-SK100118	Track Adj	Track Adj	\$264.62
KOM-SK100120	Track Adj	Track Adj	331.81
KOM-SK100121	Track Adj	Track Adj	319.72
KOM-SK100124	Track Adj	Track Adj	290.91
KOM-SK100125	Track Adj	Track Adj	300.14
KOM-SK100126	Track Adj	Track Adj	485.79
KOM-SK100127	Track Adj	Track Adj	100.34
KOM-SK100128	Track Adj	Track Adj	163.52
KOM-SK100129	Track Adj	Track Adj	103.29
KOM-SK100132	Track Adj	Track Adj	356.39
KOM-SK100134	Track Adj	Track Adj	153.41
KOM-SK100136	Track Adj	Track Adj	190.10
KOM-SK100137	Track Adj	Track Adj	130.74
KOM-SK100140	Track Adj	Track Adj	151.99
KOM-SK100141	Track Adj	Track Adj	107.41
KOM-SK100142	Track Adj	Track Adj	187.82
KOM-SK100143	Track Adj	Track Adj	49.55
KOM-SK100144	Track Adj	Track Adj	122.82

Kit Number	Code (Pg. xiv)	Rod X Bore Size	List Price
KOM-SK100145	Track Adj	Track Adj	\$52.50
KOM-SK100148	Track Adj	Track Adj	282.25
KOM-SK100149	Track Adj	Track Adj	176.99
KOM-SK100150	Track Adj	Track Adj	217.74
KOM-SK100151	Track Adj	Track Adj	244.61
KOM-SK100152	Track Adj	Track Adj	255.82
KOM-SK100153	Track Adj	Track Adj	116.78
KOM-SK100154	Track Adj	Track Adj	204.24
KOM-SK100169	Track Adj	Track Adj	51.54
KOM-SK100170	Track Adj	Track Adj	106.94
KOM-SK100171	Track Adj	Track Adj	136.87
KOM-SK100172	Track Adj	Track Adj	49.04
KOM-SK100173	Track Adj	Track Adj	136.52
KOM-SK100194	Track Adj	Track Adj	119.89
KOM-SK100215	Track Adj	Track Adj	198.45
KOM-SK100216	Track Adj	Track Adj	163.85
KOM-SK100217	Track Adj	Track Adj	183.17
KOM-SK100218	Track Adj	Track Adj	115.52

REPLACEMENT SEAL KITS FOR KUBOTA EQUIPMENT*

Replacement Seal Kits By Machine Type

▶ NEW MODELS AND APPLICATIONS

Table of Contents

▶ UPDATES

Machine Type	Page
Agricultural Tractors B2301HSD, B2601HSD, B2650, B3350, BX2370, L2501, L3301, L3901, L4701, M5-091, M5-111, M6060, M7060, MX4800, MX5200, MX5800	982 - 984
Backhoe Loaders BX25D	984
Excavators Compact K008, K008-03, KH-28L, KH-41(H), KH-90(H), KH-91(H), KH-171L, KH-191, KX018-4, KX019-4, KX36-3, KX040-4, KX41(H), KX41-2, KX41-2S, KX41-3, KX41-3V, KX057-4, KX61, KX61-2 ALPHA, KX71, KX71(H), KX080-3, KX080-4, KX91-3, KX91-3S, KX101, KX101(H), KX101(H) JAPAN, KX121-3, KX121-3 ALPHA, KX121-3S, KX155-35Z, KX161-3, KX161,3S, KX161-3SZ, U35-4, U55-4	984 - 990
Loaders - Skid Steer SSV65 SSV65C SSV65P SSV65PC SSV75, SSV75C	990
Loaders - Track Skid Steer - SSVL75, SSVL75 C, SVL75-2, SVL75-2C, SVL90, SVL90 C, SVL90-2, SVL95-2S, SVL95-25C	990 - 992
Alpha-Numeric Kit Listing	993 - 994
Kubota Individual Parts	995 - 996

KUBOTA

All manufacturer's names, part numbers and descriptions are used for reference purposes only. We do not imply that any part shown is the product of these manufacturers. We also do not imply that the list price shown is exactly that of the manufacturer.

FORMERLY LISTED REPAIR PARTS ARE AVAILABLE ONLINE AT WWW.HERCULESCA.CA
OR BY CONTACTING YOUR REGIONAL HERCULES SALES TEAM.

Replacement Kits For

KUBOTA

Agricultural Tractors

APPLICATION	CYL #	SERIAL #	CODE	ROD	BORE	KIT #	List \$
MODEL B2301HSD							
BACKHOE BOOM	7K525-22010		I-U-10	30 mm	65 mm	KUB-7K525-22300	76.96
BACKHOE BUCKET	7K506-43010		I-U-10	30 mm	55 mm	KUB-7K506-43300	47.70
BACKHOE DIPPER	7K506-32010		I-U-10	30 mm	65 mm	KUB-7K506-32300	39.01
BACKHOE SWING	7K506-13010		I-U-10	30 mm	60 mm	KUB-7K525-13300	84.09
LOADER BOOM	7J053-63010		I-U-10	25 mm	45 mm	KUB-7J053-63400	47.09
LOADER BUCKET	7J053-64010		I-U-10	25 mm	45 mm	KUB-7J053-63400	47.09
STABILIZER	7K504-52013		I-U-10	25 mm	60 mm	KUB-7K522-32300	72.15
STEERING	6C430-57302		I-U-10	25 mm	40 mm	KUB-SK100197	71.53
MODEL B2601HSD							
BACKHOE BOOM	7K525-22010		I-U-10	30 mm	65 mm	KUB-7K525-22300	76.96
BACKHOE BUCKET	7K506-43010		I-U-10	30 mm	55 mm	KUB-7K506-43300	47.70
BACKHOE DIPPER	7K506-32010		I-U-10	30 mm	65 mm	KUB-7K506-32300	39.01
BACKHOE SWING	7K506-13010		I-U-10	30 mm	60 mm	KUB-7K525-13300	84.09
LOADER BOOM	7J053-63010		I-U-10	25 mm	45 mm	KUB-7J053-63400	47.09
	7J273-63010		I-U-10	30 mm	45 mm	KUB-7J273-63400	94.48
LOADER BUCKET	7J053-64010		I-U-10	25 mm	45 mm	KUB-7J053-63400	47.09
	7J273-64010		I-U-10	30 mm	45 mm	KUB-7J273-63400	94.48
STABILIZER	7K504-52013		I-U-10	25 mm	60 mm	KUB-7K522-32300	72.15
STEERING	6C430-57302		I-U-10	25 mm	40 mm	KUB-SK100197	71.53
MODEL B2650							
BACKHOE BOOM	7K503-22012		P-U-10	35 mm	70 mm	KUB-7K503-22300	62.78
BACKHOE BUCKET	7K503-43010		P-U-10	35 mm	55 mm	KUB-7K503-43300	106.33
DIPPER	7K503-32012		P-U-10	35 mm	70 mm	KUB-7K503-32300	106.33
LOADER BOOM	7J056-63310		I-U-10	25 mm	45 mm	KUB-7J056-63400	47.48
LOADER BUCKET	7J053-64010		I-U-10	25 mm	45 mm	KUB-7J053-63400	47.09
STABILIZER LH	7K503-52030		P-U-10	30 mm	65 mm	KUB-7K503-52300	84.29
STABILIZER RH	7K503-52020		P-U-10	30 mm	65 mm	KUB-7K503-52300	84.29
STEERING	6C430-57300		I-U-10	25 mm	40 mm	KUB-SK100197	71.53
	6C430-57302		I-U-10	25 mm	40 mm	KUB-SK100197	71.53
SWING	7K503-13012		P-U-10	25 mm	50 mm	KUB-7K503-13300	99.72
MODEL B3350							
BACKHOE BOOM	7K503-22012		P-U-10	35 mm	70 mm	KUB-7K503-22300	62.78
BACKHOE BUCKET	7K503-43010		P-U-10	35 mm	55 mm	KUB-7K503-43300	106.33
DIPPER	7K503-32012		P-U-10	35 mm	70 mm	KUB-7K503-32300	106.33
LOADER BOOM	7J056-63310		I-U-10	25 mm	45 mm	KUB-7J056-63400	47.48
LOADER BUCKET	7J053-64010		I-U-10	25 mm	45 mm	KUB-7J053-63400	47.09
STABILIZER LH	7K503-52030		P-U-10	30 mm	65 mm	KUB-7K503-52300	84.29
STABILIZER RH	7K503-52020		P-U-10	30 mm	65 mm	KUB-7K503-52300	84.29
STEERING	6C430-57300		I-U-10	25 mm	40 mm	KUB-SK100197	71.53
	6C430-57302		I-U-10	25 mm	40 mm	KUB-SK100197	71.53
SWING	7K503-13012		P-U-10	25 mm	50 mm	KUB-7K503-13300	99.72
MODEL BX2370							
LOADER BOOM	7J612-63010		I-U-10	25 mm	40 mm	KUB-7J612-63400	54.46
LOADER BUCKET	7J612-64013		I-U-10	30 mm	65 mm	KUB-7J612-64400	86.16
STEERING	K2063-16500		I-U-10	25 mm	40 mm	KUB-K2063-91650	93.86
MODEL L2501							
BACKHOE BOOM	7K503-22012		P-U-10	35 mm	70 mm	KUB-7K503-22300	62.78
BACKHOE BUCKET	7K503-43010		P-U-10	35 mm	55 mm	KUB-7K503-43300	106.33
DIPPER	7K503-32012		P-U-10	35 mm	70 mm	KUB-7K503-32300	106.33
LOADER BOOM	7J273-63010		I-U-10	30 mm	45 mm	KUB-7J273-63400	94.48
LOADER BUCKET	7J273-64010		I-U-10	30 mm	45 mm	KUB-7J273-63400	94.48
STABILIZER (LH)	7K503-52010		P-U-10	30 mm	65 mm	KUB-7K503-52300	84.29
STABILIZER (RH)	7K503-52020		P-U-10	30 mm	65 mm	KUB-7K503-52300	84.29
SWING	7K503-13012		P-U-10	25 mm	50 mm	KUB-7K503-13300	99.72

KUBOTA

Replacement Kits For

KUBOTA

Agricultural Tractors

APPLICATION	CYL #	SERIAL #	CODE	ROD	BORE	KIT #	List \$
MODEL L3301							
BACKHOE BOOM	7K503-22012		P-U-10	35 mm	70 mm	KUB-7K503-22300	62.78
DIPPER	7K503-32012		P-U-10	35 mm	70 mm	KUB-7K503-32300	106.33
LOADER BOOM	7J273-63010		I-U-10	30 mm	45 mm	KUB-7J273-63400	94.48
LOADER BUCKET	7J273-64010		I-U-10	30 mm	45 mm	KUB-7J273-63400	94.48
	7K503-43010		P-U-10	35 mm	55 mm	KUB-7K503-43300	106.33
STABILIZER (LH)	7K503-52010		P-U-10	30 mm	65 mm	KUB-7K503-52300	84.29
STABILIZER (RH)	7K503-52020		P-U-10	30 mm	65 mm	KUB-7K503-52300	84.29
SWING	7K503-13012		P-U-10	25 mm	50 mm	KUB-7K503-13300	99.72
MODEL L3901							
BACKHOE BOOM	7K503-22012		P-U-10	35 mm	70 mm	KUB-7K503-22300	62.78
BACKHOE BUCKET	7K503-43010		P-U-10	35 mm	55 mm	KUB-7K503-43300	106.33
DIPPER	7K503-32012		P-U-10	35 mm	70 mm	KUB-7K503-32300	106.33
LOADER BOOM	7J273-63010		I-U-10	30 mm	45 mm	KUB-7J273-63400	94.48
LOADER BUCKET	7J273-64010		I-U-10	30 mm	45 mm	KUB-7J273-63400	94.48
STABILIZER (LH)	7K503-52010		P-U-10	30 mm	65 mm	KUB-7K503-52300	84.29
STABILIZER (RH)	7K503-52020		P-U-10	30 mm	65 mm	KUB-7K503-52300	84.29
SWING	7K503-13012		P-U-10	25 mm	50 mm	KUB-7K503-13300	99.72
MODEL L4701							
BACKHOE BOOM	7K505-22013		I-U-10	40 mm	80 mm	KUB-7K505-22300	65.76
BACKHOE BUCKET	7K505-43010		I-U-10	40 mm	65 mm	KUB-7K505-43300	70.17
DIPPER	7K505-32030		I-U-10	40 mm	75 mm	KUB-75597-52300	78.49
LOADER BOOM	7J289-63010		I-U-10	30 mm	50 mm	KUB-7J291-64400	62.92
LOADER BUCKET	7J289-64010		I-U-10	30 mm	50 mm	KUB-7J291-64400	62.92
STABILIZER	7K505-52010		I-U-10	40 mm	70 mm	KUB-7J419-63410	93.33
STEERING	TC432-37800		P-U-10	35 mm	55 mm	KUB-TC432-37950	115.11
	TC432-37800		Bushing	35 mm		KUB-TD060-37920	8.28
	TC650-39800		P-U-10	32 mm	50 mm	KUB-TC650-39950	101.74
	TC650-39800		Bushing	32 mm		KUB-3C091-63940	6.23
SWING	7K500-13010		I-U-10	35 mm	60 mm	KUB-7K500-13300	40.31
MODEL M5-091							
LOADER BOOM	7J419-63014		I-U-10	40 mm	70 mm	KUB-7J419-63410	93.33
STEERING	3C091-63880		P-U-10	32 mm	55 mm	KUB-3C091-63820	145.17
	3C091-63880		Bushing	32 mm		KUB-3C091-63940	6.23
	YW398-00102		P-U-10	35 mm	55 mm	KUB-SK100200	98.10
	YW398-00102		P-U-1	35 mm		KUB-YW389-97510	59.11
	YW398-00102		Bushing	35 mm		KUB-08511-03520	8.28
MODEL M5-111							
LOADER BOOM	7J419-63014		I-U-10	40 mm	70 mm	KUB-7J419-63410	93.33
STEERING	3C091-63880		P-U-10	32 mm	55 mm	KUB-3C091-63820	145.17
	3C091-63880		Bushing	32 mm		KUB-3C091-63940	6.23
	YW398-00102		P-U-10	35 mm	55 mm	KUB-SK100200	98.10
	YW398-00102		P-U-1	35 mm		KUB-YW389-97510	59.11
	YW398-00102		Bushing	35 mm		KUB-08511-03520	8.28
MODEL M6060							
LOADER BOOM	7J417-63050		I-U-10	35 mm	60 mm	KUB-7J417-64920	107.37
LOADER BUCKET	7J417-64062		I-U-10	35 mm	60 mm	KUB-7J417-64920	107.37
STEERING	3C011-63880		P-U-10	35 mm	55 mm	KUB-TD060-37950	106.81
	3C011-63880		Bushing	35 mm		KUB-TD060-37920	8.28
	TW397-00103		P-U-10	32 mm	50 mm	KUB-YW397-97510	142.55
	TW397-00103		Bushing	32 mm		KUB-08511-03220	6.23
MODEL M7060							
LIFT ASSIST	3C131-94620; 3C131-94623		I-N-10	30 mm	60 mm	KUB-3C045-97940	70.84
LOADER BOOM	7J417-63050		I-U-10	35 mm	60 mm	KUB-7J417-64920	107.37
LOADER BUCKET	7J417-64060; 7J417-64062		I-U-10	35 mm	60 mm	KUB-7J417-64920	107.37

KUBOTA

Replacement Kits For

KUBOTA

Agricultural Tractors

APPLICATION	CYL #	SERIAL #	CODE	ROD	BORE	KIT #	List \$
MODEL M7060							
STEERING	3C011-63880		P-U-10	35 mm	55 mm	KUB-TD060-37950	106.81
MODEL MX4800							
BACKHOE BOOM	7K505-22013		I-U-10	40 mm	80 mm	KUB-7K505-22300	65.76
BACKHOE BUCKET	7K505-43010		I-U-10	40 mm	65 mm	KUB-7K505-43300	70.17
BACKHOE DIPPER	7K505-32010	-A5258	I-U-10	40 mm	75 mm	KUB-75597-52300	78.49
	7K505-32010	A5259-	I-U-10	40 mm	75 mm	KUB-7K505-52300	82.36
BACKHOE SWING	7K500-13010		I-U-10	35 mm	60 mm	KUB-7K500-13300	40.31
LOADER BOOM	7J275-63050		I-U-10	35 mm	60 mm	KUB-7J808-64400	68.41
LOADER BUCKET	7J275-64050		I-U-10	35 mm	55 mm	KUB-7J275-64900	78.41
STABILIZER	7K505-52010		I-U-10	40 mm	70 mm	KUB-7J419-63410	93.33
STEERING	TC6500-39800		P-U-10	32 mm	50 mm	KUB-TC650-39950	101.74
	TC6500-39800		Bushing	32 mm		KUB-3C091-63940	6.23
	TD060-37800		P-U-10	35 mm	55 mm	KUB-TD060-37950	106.81
	TD060-37800		Bushing	35 mm		KUB-TD060-37920	8.28
MODEL MX5200							
BACKHOE BOOM	7K505-22013		I-U-10	40 mm	80 mm	KUB-7K505-22300	65.76
BACKHOE BUCKET	7K505-43010		I-U-10	40 mm	65 mm	KUB-7K505-43300	70.17
BACKHOE DIPPER	7K505-32010	-A5258	I-U-10	40 mm	75 mm	KUB-75597-52300	78.49
	7K505-32010	A5259-	I-U-10	40 mm	75 mm	KUB-7K505-52300	82.36
BACKHOE SWING	7K500-13010		I-U-10	35 mm	60 mm	KUB-7K500-13300	40.31
LOADER BOOM	7J275-63050		I-U-10	35 mm	60 mm	KUB-7J808-64400	68.41
LOADER BUCKET	7J275-64050		I-U-10	35 mm	55 mm	KUB-7J275-64900	78.41
STABILIZER	7K505-52010		I-U-10	40 mm	70 mm	KUB-7J419-63410	93.33
STEERING	TC6500-39800		P-U-10	32 mm	50 mm	KUB-TC650-39950	101.74
	TC6500-39800		Bushing	32 mm		KUB-3C091-63940	6.23
	TD060-37800		P-U-10	35 mm	55 mm	KUB-TD060-37950	106.81
	TD060-37800		Bushing	35 mm		KUB-TD060-37920	8.28
MODEL MX5800							
BACKHOE BOOM	7K505-22013		I-U-10	40 mm	80 mm	KUB-7K505-22300	65.76
BACKHOE BUCKET	7K505-43010		I-U-10	40 mm	65 mm	KUB-7K505-43300	70.17
BACKHOE DIPPER	7K505-32010	-A5258	I-U-10	40 mm	75 mm	KUB-75597-52300	78.49
	7K505-32010	A5259-	I-U-10	40 mm	75 mm	KUB-7K505-52300	82.36
BACKHOE SWING	7K500-13010		I-U-10	35 mm	60 mm	KUB-7K500-13300	40.31
LOADER BOOM	7J275-63050		I-U-10	35 mm	60 mm	KUB-7J808-64400	68.41
LOADER BUCKET	7J275-64050		I-U-10	35 mm	55 mm	KUB-7J275-64900	78.41
STABILIZER	7K505-52010		I-U-10	40 mm	70 mm	KUB-7J419-63410	93.33
STEERING	TD060-37800		P-U-10	35 mm	55 mm	KUB-TD060-37950	106.81
	TD060-37800		Bushing	35 mm		KUB-TD060-37920	8.28
Backhoe Loaders							
APPLICATION	CYL #	SERIAL #	CODE	ROD	BORE	KIT #	List \$
MODEL BX25D							
BACKHOE BOOM	7K525-22010		I-U-10	30 mm	65 mm	KUB-7K525-22300	76.96
BACKHOE BUCKET	7K522-43010		I-U-10	25 mm	50 mm	KUB-7K522-43300	60.55
DIPPER	7K522-32010		I-U-10	25 mm	60 mm	KUB-7K522-32300	72.15
LOADER BOOM	7J612-63010		I-U-10	25 mm	40 mm	KUB-7J612-63400	54.46
LOADER BUCKET	7J612-64013		I-U-10	30 mm	65 mm	KUB-7J612-64400	86.16
STABILIZER	7K522-52012		I-U-10	25 mm	60 mm	KUB-7K522-32300	72.15
STEERING	K2063-16500		I-U-10	25 mm	40 mm	KUB-K2063-91650	93.86
SWING	7K525-13012		I-U-10	30 mm	60 mm	KUB-7K525-13300	84.09
Excavators - Compact							
APPLICATION	CYL #	SERIAL #	CODE	ROD	BORE	KIT #	List \$
MODEL K008							
ARM			I-U-10	30 mm	55 mm	KUB-69191-72500	91.76
BLADE			I-U-10	30 mm	55 mm	KUB-69191-72500	91.76
BOOM			P-U-10	35 mm	60 mm	KUB-69191-72302	90.47

KUBOTA

Replacement Kits For

KUBOTA

Excavators - Compact							
APPLICATION	CYL #	SERIAL #	CODE	ROD	BORE	KIT #	List \$
MODEL K008							
BUCKET			I-U-10	30 mm	50 mm	KUB-69191-72400	73.90
SWING			I-U-10	25 mm	50 mm	KUB-69191-72202	90.47
MODEL K008-3							
ARM			I-U-10	30 mm	55 mm	KUB-69191-72500	91.76
BLADE			I-U-10	30 mm	50 mm	KUB-69191-72400	73.90
BOOM			P-U-10	35 mm	60 mm	KUB-69191-72302	90.47
BUCKET			I-U-10	30 mm	50 mm	KUB-69191-72400	73.90
SWING			I-U-10	25 mm	50 mm	KUB-69191-72202	90.47
MODEL KH-28L							
ARM	68271-67600		I-U-5	55 mm	90 mm	KUB-68271-99400	181.03
BOOM LH	68271-67510		I-U-5	50 mm	80 mm	KUB-68271-99300	168.08
BOOM RH	68271-67520		I-U-5	50 mm	80 mm	KUB-68271-99300	168.08
BUCKET	68271-67800		I-U-5	50 mm	80 mm	KUB-68271-99500	168.08
DOZER	68081-75100		I-U-5	45 mm	80 mm	KUB-68271-99800	166.23
SWING	68271-67400		I-U-5	55 mm	100 mm	KUB-68271-99600	190.21
MODEL KH-41(H)							
ARM	68501-67600		I-U-10	30 mm	50 mm	KUB-68721-91130	64.08
	68511-67600		I-U-10	30 mm	55 mm	KUB-68511-91110	65.54
BOOM	68501-67503		P-U-10	30 mm	55 mm	KUB-68191-91020	83.71
	68511-67503		P-U-10	30 mm	55 mm	KUB-68191-91020	83.71
BUCKET	68501-67800		I-U-10	30 mm	50 mm	KUB-68721-91130	64.08
	68511-67800		I-U-10	30 mm	55 mm	KUB-68511-91110	65.54
DOZER	68501-75100		I-U-10	35 mm	65 mm	KUB-68721-91160	110.84
	68511-75102		I-UB-10	35 mm	70 mm	KUB-68511-91120	70.97
SWING	68513-67400		P-U-10	30 mm	55 mm	KUB-68511-91010	268.04
MODEL KH-90(H)							
ARM	68761-67602		P-UB-10	45 mm	80 mm	KUB-68761-91130	348.27
BOOM	68761-67501		P-U-10	45 mm	90 mm	KUB-68761-91120	401.51
BUCKET	68761-67802		P-UB-10	45 mm	70 mm	KUB-68761-91040	154.72
DOZER	68761-75101		P-UB-10	45 mm	90 mm	KUB-68761-91150	393.59
SWING	68741-67401		P-UB-10	45 mm	70 mm	KUB-68741-91010	176.04
MODEL KH-91(H)							
ARM	68571-67600		P-U-10	45 mm	80 mm	KUB-68581-91030	150.60
BOOM	68581-67500		P-U-10	45 mm	90 mm	KUB-68581-91020	146.52
BUCKET	68541-67800		P-U-10	40 mm	70 mm	KUB-68761-91060	75.42
DOZER	68581-75100		P-UB-10	45 mm	90 mm	KUB-68761-91050	183.13
SWING	68541-67400		P-UB-10	40 mm	80 mm	KUB-68541-91010	321.84
MODEL KH-171L							
ARM	68271-67600		I-U-5	55 mm	90 mm	KUB-68271-99400	181.03
BOOM LH	68271-67510		I-U-5	50 mm	80 mm	KUB-68271-99300	168.08
BOOM RH	68271-67520		I-U-5	50 mm	80 mm	KUB-68271-99300	168.08
BUCKET	68271-67800		I-U-5	50 mm	80 mm	KUB-68271-99500	168.08
DOZER	68081-75100		I-U-5	45 mm	80 mm	KUB-68271-99800	166.23
SWING	68271-67400		I-U-5	55 mm	100 mm	KUB-68271-99600	190.21
MODEL KH-191							
ARM	68493-67600		P-U-10	55 mm	90 mm	KUB-68493-91030	117.99
BOOM	68493-67502		P-U-10	65 mm	120 mm	KUB-68493-91020	204.81
BUCKET	68493-67800		P-U-10	50 mm	80 mm	KUB-68493-91040	102.05
DOZER	68493-75100		P-U-10	60 mm	110 mm	KUB-68493-91050	253.30
SWING	68499-67400		P-U-10	55 mm	100 mm	KUB-68499-91010	184.73
MODEL KX018-4							
ARM			P-U-10	35 mm	60 mm	KUB-RG158-67680	76.24
BLADE			P-U-10	30 mm	65 mm	KUB-RG158-75180	73.47
BOOM			P-U-10	30 mm	60 mm	KUB-RG158-67580	80.58
BUCKET			P-U-10	35 mm	60 mm	KUB-RG158-67680	76.24
SWING			P-U-10	30 mm	55 mm	KUB-RG058-67680	70.36

KUBOTA

Replacement Kits For

Excavators - Compact							
APPLICATION	CYL #	SERIAL #	CODE	ROD	BORE	KIT #	List \$
MODEL KX019-4							
ARM			P-U-10	35 mm	60 mm	KUB-RG158-67680	76.24
BLADE			P-U-10	30 mm	65 mm	KUB-RG158-75180	73.47
BOOM			P-U-10	30 mm	60 mm	KUB-RG158-67580	80.58
BUCKET			P-U-10	35 mm	60 mm	KUB-RG158-67680	76.24
SWING			P-U-10	30 mm	55 mm	KUB-RG058-67680	70.36
MODEL KX36-3							
ARM			I-U-10	30 mm	55 mm	KUB-RG038-67680	88.86
BLADE			P-U-10	30 mm	60 mm	KUB-RG138-67780	95.22
BOOM			P-U-10	30 mm	60 mm	KUB-RG138-67780	95.22
BUCKET			I-U-10	30 mm	55 mm	KUB-RG038-67680	88.86
SWING			I-U-10	30 mm	55 mm	KUB-RG038-67680	88.86
MODEL KX040-4							
ANGLE BLADE	RD158-74703		P-U-10	30 mm	55 mm	KUB-MT310-25950	141.05
	RD158-74703		Wear Ring		55 mm	KUB-MT310-25520	6.87
ARM	RD158-67600		P-U-10	45 mm	75 mm	KUB-RD158-71690	104.25
	RD158-67600		Bushing	45 mm		KUB-RC461-71370	20.75
BLADE	RD158-75103		P-U-10	50 mm	90 mm	KUB-MT310-21950	177.67
	RD158-75103		Wear Ring		90 mm	KUB-YW415-00730	16.24
	RD158-75104		P-U-10	50 mm	90 mm	KUB-MT310-21980	161.49
	RD158-75104		Wear Ring		90 mm	KUB-YW415-00730	16.24
BOOM	RD158-64502		P-U-10	50 mm	85 mm	KUB-RC561-71320	119.74
BUCKET	RD158-67803		P-U-10	40 mm	70 mm	KUB-MT310-22950	229.39
	RD158-67803		Wear Ring		70 mm	KUB-MT310-22520	6.54
	RD158-67804		P-U-10	40 mm	70 mm	KUB-MT310-22980	155.33
	RD158-67804		Wear Ring		70 mm	KUB-MT310-22520	6.54
SWING	RD158-67403		P-U-10	45 mm	80 mm	KUB-MT310-20952	145.25
	RD158-67403		Wear Ring		80 mm	KUB-MT310-10520	7.44
TRACK ADJUSTER	RC411-21506		TRACK ADJ	50 mm		KUB-SK100201	8.91
	RC411-21606		TRACK ADJ	50 mm		KUB-SK100201	8.91
MODEL KX41(H)							
ARM	RB208-67600		P-U-10	35 mm	60 mm	KUB-RB201-91050	113.56
BLADE			I-UB-10	35 mm	70 mm	KUB-68511-91120	70.97
	RB208-75100		P-U-10	35 mm	70 mm	KUB-RB201-91030	80.16
BOOM			P-U-10	30 mm	55 mm	KUB-68191-91020	83.71
	RB208-67700		P-U-10	30 mm	55 mm	KUB-RB201-91010	80.16
BUCKET			I-U-10	30 mm	55 mm	KUB-68511-91110	65.54
	RB108-67800	-11244	P-U-10	30 mm	55 mm	KUB-RB101-91020	113.31
	RB208-67800	11245-	P-U-10	30 mm	55 mm	KUB-RB101-91020	113.31
SWING	RB108-67400		P-U-10	30 mm	55 mm	KUB-RB101-91020	113.31
MODEL KX41-2							
ARM			P-U-10	35 mm	60 mm	KUB-RB201-91050	113.56
BLADE			P-U-10	35 mm	70 mm	KUB-RB201-91030	80.16
BOOM			P-U-10	30 mm	55 mm	KUB-RB201-91010	80.16
BUCKET			P-U-10	30 mm	55 mm	KUB-RB101-91020	113.31
SWING			P-U-10	30 mm	55 mm	KUB-RB101-91020	113.31
MODEL KX41-2S							
ARM			P-U-10	35 mm	60 mm	KUB-RB201-91050	113.56
BLADE			P-U-10	35 mm	70 mm	KUB-RB201-91030	80.16
BOOM			P-U-10	30 mm	55 mm	KUB-RB201-91010	80.16
BUCKET			I-U-10	30 mm	55 mm	KUB-69191-72500	91.76
SWING			P-U-10	30 mm	55 mm	KUB-RB101-91020	113.31
MODEL KX41-3							
BOOM			P-U-10	30 mm	65 mm	KUB-YW181-95220	95.85
MODEL KX41-3V							
ARM			I-U-10	35 mm	60 mm	KUB-YW182-95310	93.73

KUBOTA

KUBOTA

Replacement Kits For

KUBOTA

Excavators - Compact							
APPLICATION	CYL #	SERIAL #	CODE	ROD	BORE	KIT #	List \$
MODEL KX41-3V							
BLADE 2			I-U-10	30 mm	65 mm	KUB-YW423-95210	59.30
BUCKET			I-U-10	35 mm	60 mm	KUB-YW182-95310	93.73
MODEL KX057-4							
ANGLE BLADE	RD358-74700		P-U-10	35 mm	65 mm	KUB-RD358-71330	79.26
ARM	RD551-67603		P-UB-10	55 mm	85 mm	KUB-RD551-71642	98.40
	RD551-67603		Wear Ring		85 mm	KUB-RD411-71260	8.19
BLADE	RD551-75100		P-U-10	60 mm	110 mm	KUB-RD551-71930	125.19
BOOM	RD551-67503		P-UB-10	55 mm	95 mm	KUB-RD551-71490	99.74
	RD551-67503		Wear Ring		95 mm	KUB-RD511-71420	8.01
BUCKET	RD551-67804		P-UB-10	45 mm	75 mm	KUB-RD551-71820	79.64
	RD551-67804		Wear Ring		75 mm	KUB-RD511-71760	8.01
SWING	RD358-67402		P-U-10	50 mm	90 mm	KUB-YW415-96510	85.53
	RD358-67402		Wear Ring		90 mm	KUB-YW415-00730	16.24
TRACK ADJUSTER	RD451-21500		TRACK ADJ	60 mm		KUB-SK100203	10.09
MODEL KX61							
ARM			I-U-10	40 mm	70 mm	KUB-69741-91110	97.72
BLADE			I-U-10	45 mm	90 mm	KUB-69741-91120	39.68
BOOM			P-U-10	40 mm	80 mm	KUB-69561-91110	84.97
BUCKET			P-U-10	40 mm	70 mm	KUB-69561-91120	115.83
SWING			P-U-10	40 mm	80 mm	KUB-69561-91110	84.97
MODEL KX61-2 ALPHA							
ARM	RG238-67600		I-U-10	40 mm	70 mm	KUB-69741-91110	97.72
BLADE	RG238-75100		I-U-10	45 mm	90 mm	KUB-69741-91120	39.68
BOOM	RG208-67500		P-U-10	40 mm	80 mm	KUB-RG208-94310	90.21
BUCKET	RG238-67800		P-U-10	45 mm	75 mm	KUB-69441-91110	128.08
SWING	RG238-67400		P-U-10	40 mm	80 mm	KUB-RG208-94410	30.92
MODEL KX71							
ARM	68318-67600	55001-	I-U-10	40 mm	70 mm	KUB-69741-91110	97.72
BLADE	68318-75100	55001-	I-U-10	45 mm	90 mm	KUB-69741-91120	39.68
BOOM		55001-	P-U-10	40 mm	80 mm	KUB-69561-91110	84.97
BUCKET		55001-	P-U-10	45 mm	75 mm	KUB-69441-91110	128.08
SWING		55001-	P-U-10	40 mm	80 mm	KUB-69561-91110	84.97
MODEL KX71(H)							
ARM			P-U-10	40 mm	70 mm	KUB-68861-93300	75.42
	68318-67600		P-U-10	40 mm	70 mm	KUB-68861-93300	75.42
BLADE			P-U-10	45 mm	90 mm	KUB-68301-91050	151.71
	68318-75100		P-U-10	45 mm	90 mm	KUB-68301-91050	151.71
SWING			P-U-10	40 mm	80 mm	KUB-68311-91010	160.13
MODEL KX080-3							
ARM	RD809-67600	-10046	P-U-10	60 mm	100 mm	KUB-RD809-72090	50.39
	RD809-67602	10047-	P-U-10	60 mm	100 mm	KUB-RD809-72090	50.39
	RD809-67603	10682-	P-U-10	60 mm	100 mm	KUB-RD809-72090	50.39
BLADE	RD809-75100		P-U-10	65 mm	125 mm	KUB-RD809-72450	140.47
BOOM	RD809-67500	-10007	P-U-10	65 mm	115 mm	KUB-RD809-72050	92.84
	RD809-67502	10008-	P-U-10	65 mm	115 mm	KUB-RD809-72050	92.84
	RD809-67503	10047-	P-U-10	65 mm	115 mm	KUB-RD809-72050	92.84
BUCKET	RD809-67800		P-U-10	55 mm	90 mm	KUB-RD809-71870	64.60
SWING	RD809-67400	-10103	P-U-10	60 mm	110 mm	KUB-RD809-72380	226.66
	RD809-67402	10104-	P-U-10	60 mm	110 mm	KUB-RD809-72380	226.66
MODEL KX080-4							
ANGLE BLADE	RD829-74700		P-U-10	45 mm	80 mm	KUB-RD819-72700	80.05
ARM	RD829-67600		P-U-10	60 mm	100 mm	KUB-RD809-72090	50.39
	RD829-67600		Wear Ring		100 mm	KUB-RD809-72530	8.37
BLADE	RD829-75100		P-U-10	65 mm	125 mm	KUB-RD819-72452	132.68
BOOM	RD829-67500		P-UB-10	65 mm	115 mm	KUB-RD829-72050	238.76

Replacement Kits For

KUBOTA

Excavators - Compact								
APPLICATION	CYL #	SERIAL #	CODE	ROD	BORE	KIT #	List \$	
MODEL KX080-4								
BOOM	RD829-67500		Wear Ring		115 mm	KUB-RD809-71722	8.71	
BUCKET	RD829-67800		P-U-10	55 mm	90 mm	KUB-RD829-71870	183.41	
TRACK ADJUSTER	RD809-21500		TRK ADJ			KUB-SK100204	17.95	
MODEL KX91-3								
BUCKET			P-U-10	40 mm	65 mm	KUB-RB411-71550	102.75	
MODEL KX91-3S								
BUCKET			P-U-10	40 mm	65 mm	KUB-RB411-71550	102.75	
MODEL KX101								
ARM		55001-	I-U-10	45 mm	80 mm	KUB-69781-91110	97.72	
BLADE		55001-	I-U-10	45 mm	90 mm	KUB-69741-91120	39.68	
BOOM		55001-	P-U-10	45 mm	90 mm	KUB-69461-91110	155.86	
BUCKET		55001-	P-U-10	40 mm	70 mm	KUB-69561-91120	115.83	
SWING		55001-	P-U-10	40 mm	80 mm	KUB-69561-91110	84.97	
MODEL KX101(H)								
ARM	68658-67600		P-U-10	45 mm	80 mm	KUB-68651-91030	165.46	
BLADE	68318-75100		P-U-10	45 mm	90 mm	KUB-68301-91050	151.71	
BOOM	68658-67700		P-U-10	45 mm	90 mm	KUB-68651-91020	93.28	
BUCKET	68396-67800		P-U-10	40 mm	70 mm	KUB-68861-93300	75.42	
SWING	68316-67400		P-U-10	40 mm	80 mm	KUB-68311-91010	160.13	
MODEL KX101(H) JAPAN								
ARM	68658-67600	54999-55000	P-U-10	45 mm	80 mm	KUB-68651-91030	165.46	
BLADE	68318-75100	54999-55000	P-U-10	45 mm	90 mm	KUB-68301-91050	151.71	
BOOM	68658-67700	54999-55000	P-U-10	45 mm	90 mm	KUB-68651-91020	93.28	
BUCKET	68396-67800	54999-55000	P-U-10	40 mm	70 mm	KUB-68861-93300	75.42	
SWING	68316-67400	54999-55000	P-U-10	40 mm	80 mm	KUB-68311-91010	160.13	
MODEL KX121-3								
ANGLE BLADE	RD118-74700		P-U-10	30 mm	55 mm	KUB-RD118-71350	85.75	
ARM		00315-UP	I-U-10	45 mm	75 mm	KUB-RG718-67700	74.28	
		00076-00314	I-U-10	45 mm	75 mm	KUB-RG718-67700	74.28	
		RD118-67600	-20005	P-U-10	45 mm	75 mm	KUB-RD118-71640	140.75
		RD118-67602	20006-	P-U-10	45 mm	75 mm	KUB-RD118-71640	140.75
		RD118-67603	20748-	P-U-10	45 mm	75 mm	KUB-RD118-71640	140.75
BLADE		00315-UP	I-U-10	55 mm	95 mm	KUB-RG718-75200	83.61	
		00076-00314	I-U-10	55 mm	95 mm	KUB-RG718-75200	83.61	
		RD118-75100	-20747	P-U-10	55 mm	95 mm	KUB-RD118-71870	172.79
		RD118-75102	20748-	P-U-10	55 mm	95 mm	KUB-RD118-71870	172.79
BOOM		00076-00314	I-U-10	50 mm	80 mm	KUB-RG718-67300	157.37	
		00315-UP	I-U-10	50 mm	80 mm	KUB-RG718-67300	157.37	
		RD118-67500	-20747	P-U-10	50 mm	85 mm	KUB-RD118-71400	111.89
		RD118-67502	20748-	P-U-10	50 mm	85 mm	KUB-RD118-71400	111.89
BUCKET		00315-UP	P-U-10	40 mm	70 mm	KUB-RG719-67900	40.21	
		00076-00314	P-U-10	40 mm	70 mm	KUB-RG719-67900	40.21	
		RD118-67802	P-U-10	40 mm	70 mm	KUB-RD411-71820	135.11	
SWING		00076-00314	P-U-10	45 mm	80 mm	KUB-RD118-71270	141.03	
		00315-UP	P-U-10	45 mm	80 mm	KUB-RD118-71270	141.03	
		RD118-67400	-20747	P-U-10	45 mm	80 mm	KUB-RD118-71270	141.03
		RD118-67402	20748-	P-U-10	45 mm	80 mm	KUB-RD118-71270	141.03
MODEL KX121-3 ALPHA								
ARM			I-U-10	45 mm	75 mm	KUB-RG718-67700	74.28	
BLADE			I-U-10	55 mm	95 mm	KUB-RG718-75200	83.61	
BOOM			I-U-10	50 mm	80 mm	KUB-RG718-67300	157.37	
BUCKET			P-U-10	40 mm	70 mm	KUB-RG719-67900	40.21	
SWING			P-U-10	45 mm	80 mm	KUB-RD118-71270	141.03	
MODEL KX121-3S								
ANGLE BLADE	RD118-74702		P-U-10	30 mm	55 mm	KUB-RD118-71350	85.75	
ARM	RD118-67603		P-U-10	45 mm	75 mm	KUB-RD118-71640	140.75	

KUBOTA

Replacement Kits For

Excavators - Compact							
APPLICATION	CYL #	SERIAL #	CODE	ROD	BORE	KIT #	List \$
MODEL KX121-3S							
BLADE	RD118-75102		P-U-10	55 mm	95 mm	KUB-RD118-71870	172.79
BOOM	RD138-67500		P-U-10	50 mm	85 mm	KUB-RD118-71400	111.89
BUCKET	RD118-67802		P-U-10	40 mm	70 mm	KUB-RD411-71820	135.11
SWING	RD118-67402		P-U-10	45 mm	80 mm	KUB-RD118-71270	141.03
MODEL KX155-3SZ							
BLADE	RD511-75102		P-U-10	55 mm	105 mm	KUB-RD511-71870	210.04
BOOM	RD541-67500		P-U-10	55 mm	95 mm	KUB-RD511-71490	114.68
BUCKET	RD541-67800		P-U-10	45 mm	75 mm	KUB-RD511-71820	104.72
SWING	RD541-67400		P-U-10	50 mm	90 mm	KUB-RD511-71270	141.86
MODEL KX161-3							
ARM	RD518-67600	-20006	P-U-10	50 mm	85 mm	KUB-RD518-71640	106.44
	RD518-67602	20007-	P-U-10	50 mm	85 mm	KUB-RD518-71640	106.44
BLADE	RD518-75100	-20006	P-U-10	55 mm	105 mm	KUB-RD511-71870	210.04
	RD518-75102	20007-	P-U-10	55 mm	105 mm	KUB-RD511-71870	210.04
BOOM	RD518-67500	-20006	P-U-10	55 mm	95 mm	KUB-RD511-71490	114.68
	RD518-67502	20007-	P-U-10	55 mm	95 mm	KUB-RD511-71490	114.68
BUCKET	RD518-67800	-20006	P-U-10	45 mm	75 mm	KUB-RD511-71820	104.72
	RD518-67802	20007-	P-U-10	45 mm	75 mm	KUB-RD511-71820	104.72
SWING	RD518-67400	-20006	P-U-10	50 mm	90 mm	KUB-RD511-71270	141.86
	RD518-67402	20007-	P-U-10	50 mm	90 mm	KUB-RD511-71270	141.86
MODEL KX161-3S							
ARM	RD518-67602		P-U-10	50 mm	85 mm	KUB-RD518-71640	106.44
BLADE	RD518-75102		P-U-10	55 mm	105 mm	KUB-RD511-71870	210.04
BOOM	RD538-67500		P-U-10	55 mm	95 mm	KUB-RD511-71490	114.68
BUCKET	RD518-67802		P-U-10	45 mm	75 mm	KUB-RD511-71820	104.72
SWING	RD518-67402		P-U-10	50 mm	90 mm	KUB-RD511-71270	141.86
MODEL KX161-3SZ							
ARM	RD547-67600		P-U-10	50 mm	85 mm	KUB-RD518-71640	106.44
BLADE	RD548-75100		P-U-10	55 mm	105 mm	KUB-RD548-71330	266.41
BOOM	RD541-67500		P-U-10	55 mm	95 mm	KUB-RD511-71490	114.68
BUCKET	RD547-67800		P-U-10	45 mm	75 mm	KUB-RD511-71820	104.72
SWING	RD548-67400		P-U-10	50 mm	90 mm	KUB-RD548-71130	196.90
MODEL U35-4							
ANGLE BLADE	RD158-74703		P-U-10	30 mm	55 mm	KUB-MT310-25950	141.05
	RD158-74703		Wear Ring		55 mm	KUB-MT310-25520	6.87
ARM	RC788-67603		P-U-10	45 mm	75 mm	KUB-MT310-14950	177.00
	RC788-67603		Wear Ring			KUB-MT310-14520	13.44
BLADE	RC788-75104		P-U-10	45 mm	90 mm	KUB-MT310-11950	168.38
	RC788-75104		Wear Ring		90 mm	KUB-YW415-00730	16.24
BOOM	RC788-67500		P-U-10	45 mm	80 mm	KUB-RP321-71320	111.41
	RC788-67500		Bushing	45 mm		KUB-RC461-71370	20.75
BUCKET	RC788-67803		P-U-10	40 mm	65 mm	KUB-MT310-12950	126.00
SWING	RC788-67403		P-U-10	40 mm	80 mm	KUB-MT310-10952	139.26
	RC788-67403		Wear Ring		80 mm	KUB-MT310-10520	7.44
TRACK ADJUSTER LH	RC788-21500		TRACK ADJ	50 mm		KUB-SK100201	8.91
TRACK ADJUSTER RH	RC788-21600		TRACK ADJ	50 mm		KUB-SK100201	8.91
MODEL U55-4							
ANGLE BLADE	RD358-74700		P-U-10	35 mm	65 mm	KUB-RD358-71330	79.26
ARM	RD551-67604		P-UB-10	55 mm	85 mm	KUB-RD551-71643	152.02
	RD551-67604		Wear Ring		85 mm	KUB-RD411-71260	8.19
BOOM	RD568-67500		P-UB-10	55 mm	95 mm	KUB-RD551-71490	99.74
	RD568-67500		Wear Ring		95 mm	KUB-RD511-71420	8.01
BUCKET	RD551-67804		P-UB-10	45 mm	75 mm	KUB-RD551-71820	79.64
	RD551-67804		Wear Ring		75 mm	KUB-RD511-71760	8.01
SWING	RD551-67403		P-U-10	50 mm	90 mm	KUB-YW415-96510	85.53

KUBOTA

Replacement Kits For

KUBOTA

Excavators - Compact

APPLICATION	CYL #	SERIAL #	CODE	ROD	BORE	KIT #	List \$
MODEL U55-4							
SWING	RD551-67403		Wear Ring		90 mm	KUB-YW415-00730	16.24

Loaders - Skid Steer

APPLICATION	CYL #	SERIAL #	CODE	ROD	BORE	KIT #	List \$
MODEL SSV65							
ARM LH	V1311-73110	-12328	I-U-10	40 mm	65 mm	KUB-V1311-73880	98.67
	V1311-73112	12329	I-U-10	40 mm	65 mm	KUB-V1311-73880	98.67
ARM RH	V1311-73210	-12328	I-U-10	40 mm	65 mm	KUB-V1311-73880	98.67
	V1311-73212	12329	I-U-10	40 mm	65 mm	KUB-V1311-73880	98.67
BUCKET	V1311-74110	-12328	I-U-10	35 mm	65 mm	KUB-V1311-74860	90.84
	V1311-74112	12329	I-U-10	35 mm	65 mm	KUB-V1311-74860	90.84

MODEL SSV65C

ARM LH	V1311-73110	-12328	I-U-10	40 mm	65 mm	KUB-V1311-73880	98.67
	V1311-73112	12329	I-U-10	40 mm	65 mm	KUB-V1311-73880	98.67
ARM RH	V1311-73210	-12328	I-U-10	40 mm	65 mm	KUB-V1311-73880	98.67
	V1311-73212	12329	I-U-10	40 mm	65 mm	KUB-V1311-73880	98.67
BUCKET	V1311-74110	-12328	I-U-10	35 mm	65 mm	KUB-V1311-74860	90.84
	V1311-74112	12329	I-U-10	35 mm	65 mm	KUB-V1311-74860	90.84

MODEL SSV65P

ARM LH	V1311-73110	-12328	I-U-10	40 mm	65 mm	KUB-V1311-73880	98.67
	V1311-73112	12329	I-U-10	40 mm	65 mm	KUB-V1311-73880	98.67
ARM RH	V1311-73210	-12328	I-U-10	40 mm	65 mm	KUB-V1311-73880	98.67
	V1311-73212	12329	I-U-10	40 mm	65 mm	KUB-V1311-73880	98.67
BUCKET	V1311-74110	-12328	I-U-10	35 mm	65 mm	KUB-V1311-74860	90.84
	V1311-74112	12329	I-U-10	35 mm	65 mm	KUB-V1311-74860	90.84

MODEL SSV65PC

ARM LH	V1311-73110	-12328	I-U-10	40 mm	65 mm	KUB-V1311-73880	98.67
	V1311-73112	12329	I-U-10	40 mm	65 mm	KUB-V1311-73880	98.67
ARM RH	V1311-73210	-12328	I-U-10	40 mm	65 mm	KUB-V1311-73880	98.67
	V1311-73212	12329	I-U-10	40 mm	65 mm	KUB-V1311-73880	98.67
BUCKET	V1311-74110	-12328	I-U-10	35 mm	65 mm	KUB-V1311-74860	90.84
	V1311-74112	12329	I-U-10	35 mm	65 mm	KUB-V1311-74860	90.84

MODEL SSV75

ARM LH	V1411-73110	-12356	I-U-10	45 mm	75 mm	KUB-V1411-73880	70.04
	V1411-73112	12357	I-U-10	45 mm	75 mm	KUB-V1411-73880	70.04
ARM RH	V1411-73210	-12356	I-U-10	45 mm	75 mm	KUB-V1411-73880	70.04
	V1411-73212	12357	I-U-10	45 mm	75 mm	KUB-V1411-73880	70.04
BUCKET	V1411-74110	-12356	I-U-10	35 mm	70 mm	KUB-V1411-74860	67.88
	V1411-74112	12357	I-U-10	35 mm	70 mm	KUB-V1411-74860	67.88

MODEL SSV75C

ARM LH	V1411-73110	-12356	I-U-10	45 mm	75 mm	KUB-V1411-73880	70.04
	V1411-73112	12357	I-U-10	45 mm	75 mm	KUB-V1411-73880	70.04
ARM RH	V1411-73210	-12365	I-U-10	45 mm	75 mm	KUB-V1411-73880	70.04
	V1411-73212	12357	I-U-10	45 mm	75 mm	KUB-V1411-73880	70.04
BUCKET	V1411-74110	-12356	I-U-10	35 mm	70 mm	KUB-V1411-74860	67.88
	V1411-74112	12357	I-U-10	35 mm	70 mm	KUB-V1411-74860	67.88

Loaders - Track Skid Steer

APPLICATION	CYL #	SERIAL #	CODE	ROD	BORE	KIT #	List \$
MODEL SVL75							
ARM LH	V0511-73102		P-U-10	40 mm	65 mm	KUB-RC461-71522	98.06
	V0511-73102		Bushing	40 mm		KUB-RC461-71400	11.24
ARM RH	V0511-73202		P-U-10	40 mm	65 mm	KUB-RC461-71522	98.06
	V0511-73202		Bushing	40 mm		KUB-RC461-71400	11.24
BUCKET LH	V0511-74102		P-U-10	40 mm	70 mm	KUB-RD148-71230	107.72
	V0511-74102		Bushing	40 mm		KUB-RC461-71400	11.24
BUCKET RH	V0511-74202		P-U-10	40 mm	70 mm	KUB-RD148-71230	107.72

KUBOTA

KUBOTA

Replacement Kits For

Loaders - Track Skid Steer							
APPLICATION	CYL #	SERIAL #	CODE	ROD	BORE	KIT #	List \$
MODEL SVL75							
BUCKET RH	V0511-74202		Bushing	40 mm		KUB-RC461-71400	11.24
TRACK ADJUSTER	V0521-24900		TRACK ADJ	50 mm		KUB-SK100201	8.91
MODEL SVL75 C							
ARM LH	V0511-73102		P-U-10	40 mm	65 mm	KUB-RC461-71522	98.06
	V0511-73102		Bushing	40 mm		KUB-RC461-71400	11.24
ARM RH	V0511-73202		P-U-10	40 mm	65 mm	KUB-RC461-71522	98.06
	V0511-73202		Bushing	40 mm		KUB-RC461-71400	11.24
BUCKET LH	V0511-74102		P-U-10	40 mm	70 mm	KUB-RD148-71230	107.72
	V0511-74102		Bushing	40 mm		KUB-RC461-71400	11.24
BUCKET RH	V0511-74202		P-U-10	40 mm	70 mm	KUB-RD148-71230	107.72
	V0511-74202		Bushing	40 mm		KUB-RC461-71400	11.24
TRACK ADJUSTER	V0521-24900		TRACK ADJ	50 mm		KUB-SK100201	8.91
MODEL SVL75-2							
ARM LH	V0511-73102		P-U-10	40 mm	65 mm	KUB-RC461-71522	98.06
	V0511-73102		Bushing	40 mm		KUB-RC461-71400	11.24
ARM RH	V0511-73202		P-U-10	40 mm	65 mm	KUB-RC461-71522	98.06
	V0511-73202		Bushing	40 mm		KUB-RC461-71400	11.24
BUCKET LH	V0511-74102		P-U-10	40 mm	70 mm	KUB-RD148-71230	107.72
	V0511-74102		Bushing	40 mm		KUB-RC461-71400	11.24
BUCKET RH	V0511-74202		P-U-10	40 mm	70 mm	KUB-RD148-71230	107.72
	V0511-74202		Bushing	40 mm		KUB-RC461-71400	11.24
TRACK ADJUSTER	V0521-23500		TRACK ADJ	50 mm		KUB-SK100202	17.93
MODEL SVL75-2C							
ARM LH	V0511-73102		P-U-10	40 mm	65 mm	KUB-RC461-71522	98.06
	V0511-73102		Bushing	40 mm		KUB-RC461-71400	11.24
ARM RH	V0511-73202		P-U-10	40 mm	65 mm	KUB-RC461-71522	98.06
	V0511-73202		Bushing	40 mm		KUB-RC461-71400	11.24
BUCKET LH	V0511-74102		P-U-10	40 mm	70 mm	KUB-RD148-71230	107.72
	V0511-74102		Bushing	40 mm		KUB-RC461-71400	11.24
BUCKET RH	V0511-74202		P-U-10	40 mm	70 mm	KUB-RD148-71230	107.72
	V0511-74202		Bushing	40 mm		KUB-RC461-71400	11.24
TRACK ADJUSTER	V0521-23500		TRACK ADJ	50 mm		KUB-SK100202	17.93
MODEL SVL90							
ARM LH	V0611-73100		P-U-10	45 mm	75 mm	KUB-RC461-71320	100.62
	V0611-73100		Bushing	45 mm		KUB-RC461-71370	20.75
ARM RH	V0611-73200		P-U-10	45 mm	75 mm	KUB-RC461-71320	100.62
	V0611-73200		Bushing	45 mm		KUB-RC461-71370	20.75
BUCKET LH	V0611-74100		P-U-10	40 mm	75 mm	KUB-V0611-74190	111.24
	V0611-74100		Bushing	40 mm		KUB-RC461-71400	11.24
BUCKET RH	V0611-74200		P-U-10	40 mm	75 mm	KUB-V0611-74190	111.24
	V0611-74200		Bushing	40 mm		KUB-RC461-71400	11.24
TRACK ADJUSTER	V0611-23500		TRACK ADJ	60 mm		KUB-SK100203	10.09
MODEL SVL90 C							
ARM LH	V0611-73100		P-U-10	45 mm	75 mm	KUB-RC461-71320	100.62
	V0611-73100		Bushing	45 mm		KUB-RC461-71370	20.75
ARM RH	V0611-73200		P-U-10	45 mm	75 mm	KUB-RC461-71320	100.62
	V0611-73200		Bushing	45 mm		KUB-RC461-71370	20.75
BUCKET LH	V0611-74100		P-U-10	40 mm	75 mm	KUB-V0611-74190	111.24
	V0611-74100		Bushing	40 mm		KUB-RC461-71400	11.24
BUCKET RH	V0611-74200		P-U-10	40 mm	75 mm	KUB-V0611-74190	111.24
	V0611-74200		Bushing	40 mm		KUB-RC461-71400	11.24
TRACK ADJUSTER	V0611-23500		TRACK ADJ	60 mm		KUB-SK100203	10.09
MODEL SVL90-2							
ARM LH	V0611-73100		P-U-10	45 mm	75 mm	KUB-RC461-71320	100.62
	V0611-73100		Bushing	45 mm		KUB-RC461-71370	20.75

KUBOTA

Replacement Kits For

KUBOTA

Loaders - Track Skid Steer

APPLICATION	CYL #	SERIAL #	CODE	ROD	BORE	KIT #	List \$
MODEL SVL90-2							
ARM RH	V0611-73200		P-U-10	45 mm	75 mm	KUB-RC461-71320	100.62
	V0611-73200		Bushing	45 mm		KUB-RC461-71370	20.75
BUCKET LH	V0611-74100		P-U-10	40 mm	75 mm	KUB-V0611-74190	111.24
	V0611-74100		Bushing	40 mm		KUB-RC461-71400	11.24
BUCKET RH	V0611-74200		P-U-10	40 mm	75 mm	KUB-V0611-74190	111.24
	V0611-74200		Bushing	40 mm		KUB-RC461-71400	11.24
TRACK ADJUSTER	V0611-23500		TRACK ADJ	60 mm		KUB-SK100203	10.09
MODEL SVL90-2C							
ARMLH	V0611-73100		P-U-10	45 mm	75 mm	KUB-RC461-71320	100.62
	V0611-73100		Bushing	45 mm		KUB-RC461-71370	20.75
ARM RH	V0611-73200		P-U-10	45 mm	75 mm	KUB-RC461-71320	100.62
	V0611-73200		Bushing	45 mm		KUB-RC461-71370	20.75
BUCKET LH	V0611-74100		P-U-10	40 mm	75 mm	KUB-V0611-74190	111.24
	V0611-74100		Bushing	40 mm		KUB-RC461-71400	11.24
BUCKET RH	V0611-74200		P-U-10	40 mm	75 mm	KUB-V0611-74190	111.24
	V0611-74200		Bushing	40 mm		KUB-RC461-71400	11.24
TRACK ADJUSTER	V0611-23500		TRACK ADJ	60 mm		KUB-SK100203	10.09
MODEL SVL95-2S							
ARM (LH)	V0611-73100		P-U-10	45 mm	75 mm	KUB-RC461-71320	100.62
ARM (RH)	V0611-73200		P-U-10	45 mm	75 mm	KUB-RC461-71320	100.62
BUCKET (LH)	V0631-74100		P-U-10	40 mm	75 mm	KUB-V0611-74190	111.24
BUCKET (RH)	V0631-74200		P-U-10	40 mm	75 mm	KUB-V0611-74190	111.24
MODEL SVL95-2SC							
ARM (LH)	V0611-73100		P-U-10	45 mm	75 mm	KUB-RC461-71320	100.62
ARM (RH)	V0611-73200		P-U-10	45 mm	75 mm	KUB-RC461-71320	100.62
BUCKET (LH)	V0631-74100		P-U-10	40 mm	75 mm	KUB-V0611-74190	111.24
BUCKET (RH)	V0631-74200		P-U-10	40 mm	75 mm	KUB-V0611-74190	111.24

KUBOTA

REPLACEMENT KITS FOR KUBOTA EQUIPMENT

NOTE: Kubota part numbers are used as a reference only. We do not imply that these kits are original REPLACEMENT PARTS.

Kit Number	Code (Pg. xiv)	Rod X Bore Size	List Price
KUB-08511-03220	Bushing	32 mm	\$6.23
KUB-3C091-63820	P-U-10	32 X 55 mm	145.17
KUB-3C091-63940	Bushing	32 mm	6.23
KUB-68191-91020	P-U-10	30 X 55 mm	83.71
KUB-68271-99300	I-U-5	50 X 80 mm	168.08
KUB-68271-99400	I-U-5	55 X 90 mm	181.03
KUB-68271-99500	I-U-5	50 X 80 mm	168.08
KUB-68271-99600	I-U-5	55 X 100 mm	190.21
KUB-68271-99800	I-U-5	45 X 80 mm	166.23
KUB-68301-91050	P-U-10	45 X 90 mm	151.71
KUB-68311-91010	P-U-10	40 X 80 mm	160.13
KUB-68493-91020	P-U-10	65 X 120 mm	204.81
KUB-68493-91030	P-U-10	55 X 90 mm	117.99
KUB-68493-91040	P-U-10	50 X 80 mm	102.05
KUB-68493-91050	P-U-10	60 X 110 mm	253.30
KUB-68499-91010	P-U-10	55 X 100 mm	184.73
KUB-68511-91010	P-U-10	30 X 55 mm	268.04
KUB-68511-91110	I-U-10	30 X 55 mm	65.54
KUB-68511-91120	I-U-10	35 X 70 mm	70.97
KUB-68541-91010	I-U-10	40 X 80 mm	321.84
KUB-68581-91020	P-U-10	45 X 90 mm	146.52
KUB-68581-91030	P-U-10	45 X 80 mm	150.60
KUB-68651-91020	P-U-10	45 X 90 mm	93.28
KUB-68651-91030	P-U-10	45 X 80 mm	165.46
KUB-68721-91110	I-U-5	30 X 50 mm	52.83
KUB-68721-91130	I-U-10	30 X 50 mm	64.08
KUB-68721-91160	I-U-10	35 X 65 mm	110.84
KUB-68741-91010	P-UB-10	45 X 70 mm	176.04
KUB-68741-91020	P-U-10	40 X 80 mm	88.67
KUB-68761-91040	P-UB-10	45 X 70 mm	154.72
KUB-68761-91050	P-UB-10	45 X 90 mm	183.13
KUB-68761-91060	P-U-10	40 X 70 mm	75.42
KUB-68761-91120	P-U-10	45 X 90 mm	401.51
KUB-68761-91130	P-UB-10	45 X 80 mm	348.27
KUB-68761-91150	P-UB-10	45 X 90 mm	393.59
KUB-68811-93070	P-UB-10	40 X 70 mm	187.43
KUB-68861-93300	P-U-10	40 X 70 mm	75.42
KUB-69191-72202	I-U-10	25 X 50 mm	90.47
KUB-69191-72302	I-U-10	35 X 60 mm	90.47
KUB-69191-72400	I-U-10	30 X 50 mm	73.90
KUB-69191-72500	P-U-10	30 X 55 mm	91.76
KUB-69441-91110	P-U-10	45 X 75 mm	128.08
KUB-69461-91110	P-U-10	45 X 90 mm	155.86
KUB-69521-91110	P-U-10	30 X 55 mm	75.13
KUB-69521-91130	P-U-10	30 X 55 mm	75.58

Kit Number	Code (Pg. xiv)	Rod X Bore Size	List Price
KUB-69561-91110	P-U-10	40 X 80 mm	\$84.97
KUB-69561-91120	P-U-10	40 X 70 mm	115.83
KUB-69721-91110	I-U-10	30 X 55 mm	25.82
KUB-69741-91110	I-U-10	40 X 70 mm	97.72
KUB-69741-91120	I-U-10	45 X 90 mm	39.68
KUB-69781-91110	I-U-10	45 X 80 mm	97.72
KUB-75597-52300	I-U-10	40 X 75 mm	78.49
KUB-7J053-63400	I-U-10	25 X 45 mm	47.09
KUB-7J056-63400	I-U-10	25 X 45 mm	47.48
KUB-7J273-63400	I-U-10	30 X 45 mm	94.48
KUB-7J275-64900	I-U-10	35 X 55 mm	78.41
KUB-7J291-64400	I-U-10	30 X 50 mm	62.92
KUB-7J419-63410	I-U-10	40 X 70 mm	93.33
KUB-7J808-64400	I-U-10	35 X 60 mm	68.41
KUB-7K500-13300	I-U-10	35 X 60 mm	40.31
KUB-7K505-22300	I-U-10	40 X 80 mm	65.76
KUB-7K505-43300	I-U-10	40 X 65 mm	70.17
KUB-7K505-52300	I-U-10	40 X 75 mm	82.36
KUB-7K506-32300	I-U-10	30 X 65 mm	39.01
KUB-7K506-43300	I-U-10	30 X 55 mm	47.70
KUB-7K522-32300	I-U-10	25 X 60 mm	72.15
KUB-7K525-13300	I-U-10	30 X 60 mm	84.09
KUB-7K525-22300	I-U-10	30 X 65 mm	76.96
KUB-MT310-10952	P-U-10	40 X 80 mm	139.26
KUB-MT310-11950	P-U-10	45 X 90 mm	168.38
KUB-MT310-12950	P-U-10	40 X 65 mm	126.00
KUB-MT310-14950	P-U-10	45 X 75 mm	177.00
KUB-MT310-20952	P-U-10	45 X 80 mm	145.25
KUB-MT310-21950	P-U-10	50 X 90 mm	177.67
KUB-MT310-21980	P-U-10	50 X 90 mm	161.49
KUB-MT310-22950	P-U-10	40 X 70 mm	229.39
KUB-MT310-22980	P-U-10	40 X 70 mm	155.33
KUB-MT310-25950	P-U-10	30 X 55 mm	141.05
KUB-RB101-91020	P-U-10	30 X 55 mm	113.31
KUB-RB201-91010	P-U-10	30 X 55 mm	80.16
KUB-RB201-91030	P-U-10	35 X 70 mm	80.16
KUB-RB201-91050	P-U-10	35 X 60 mm	113.56
KUB-RB411-71550	P-U-10	40 X 65 mm	102.75
KUB-RC461-71320	P-U-10	45 X 75 mm	100.62
KUB-RC461-71522	P-U-10	40 X 65 mm	98.06
KUB-RC561-71320	P-U-10	50 X 85 mm	119.74
KUB-RD118-71270	P-U-10	45 X 80 mm	141.03
KUB-RD118-71350	P-U-10	30 X 55 mm	85.75
KUB-RD118-71400	P-U-10	50 X 85 mm	111.89
KUB-RD118-71640	P-U-10	45 X 75 mm	140.75

REPLACEMENT KITS FOR KUBOTA EQUIPMENT

NOTE: Kubota part numbers are used as a reference only. We do not imply that these kits are original REPLACEMENT PARTS.

Kit Number	Code (Pg. xiv)	Rod X Bore Size	List Price
KUB-RD118-71870	P-U-10	55 X 95 mm	\$172.79
KUB-RD148-71230	P-U-10	40 X 70 mm	107.72
KUB-RD158-71690	P-U-10	45 X 75 mm	104.25
KUB-RD358-71330	P-U-10	35 X 65 mm	79.26
KUB-RD411-71820	P-U-10	40 X 70 mm	135.11
KUB-RD511-71270	P-U-10	50 X 90 mm	141.86
KUB-RD511-71490	P-U-10	55 X 95 mm	114.68
KUB-RD511-71820	P-U-10	45 X 75 mm	104.72
KUB-RD511-71870	P-U-10	55 X 105 mm	210.04
KUB-RD518-71640	P-U-10	50 X 85 mm	106.44
KUB-RD548-71130	P-U-10	50 X 90 mm	196.90
KUB-RD548-71330	P-U-10	55 X 105 mm	266.41
KUB-RD551-71490	P-UB-10	55 X 95 mm	99.74
KUB-RD551-71642	P-UB-10	55 X 85 mm	98.40
KUB-RD551-71643	P-UB-10	55 X 85 mm	152.02
KUB-RD551-71820	P-UB-10	45 X 75 mm	79.64
KUB-RD551-71930	P-U-10	60 X 110 mm	125.19
KUB-RD809-71870	P-U-10	55 X 90 mm	64.60
KUB-RD809-72050	P-U-10	65 X 115 mm	92.84
KUB-RD809-72090	P-U-10	60 X 100 mm	50.39
KUB-RD809-72380	P-U-10	60 X 110 mm	226.66
KUB-RD809-72450	P-U-10	65 X 125 mm	140.47
KUB-RD819-72452	P-U-10	65 X 125 mm	132.68
KUB-RD819-72700	P-U-10	45 X 80 mm	80.05
KUB-RD829-71870	P-U-10	55 X 90 mm	183.41
KUB-RD829-72050	P-UB-10	65 X 115 mm	238.76
KUB-RG038-67680	I-U-10	30 X 55 mm	88.86
KUB-RG058-67680	P-U-10	30 X 55 mm	70.36
KUB-RG138-67780	P-U-10	30 X 60 mm	95.22
KUB-RG158-67580	I-U-10	30 X 60 mm	80.58
KUB-RG158-67680	I-U-10	35 X 60 mm	76.24

Kit Number	Code (Pg. xiv)	Rod X Bore Size	List Price
KUB-RG158-75180	P-U-10	30 X 65 mm	\$73.47
KUB-RG208-94310	P-U-10	40 X 80 mm	90.21
KUB-RG208-94410	P-U-10	40 X 80 mm	30.92
KUB-RG718-67300	I-U-10	50 X 85 mm	157.37
KUB-RG718-67700	I-U-10	45 X 75 mm	74.28
KUB-RG718-75200	I-U-10	55 X 95 mm	83.61
KUB-RG719-67900	P-U-10	40 X 70 mm	40.21
KUB-RP321-71320	P-U-10	45 X 80 mm	111.41
KUB-SK100197	I-U-10	25 X 40 mm	71.53
KUB-SK100200	P-U-10	35 X 55	98.10
KUB-SK100201	TRACK ADJ	50	8.91
KUB-SK100202	TRACK ADJ	50	17.93
KUB-SK100203	TRACK ADJ	60	10.09
KUB-SK100204	TRACK ADJ	TRACK ADJ	17.95
KUB-TC432-37950	P-U-10	35 X 55 mm	115.11
KUB-TC650-39950	P-U-10	32 X 50	101.74
KUB-TC650-39950	P-U-10	32 X 50 mm	101.74
KUB-TD060-37920	Bushing	35 mm	8.28
KUB-TD060-37950	P-U-10	35 X 55 mm	106.81
KUB-V0611-74190	P-U-10	40 X 75	111.24
KUB-V1311-73880	I-U-10	40 mm X 65 mm	98.67
KUB-V1311-74860	I-U-10	35 mm X 65 mm	90.84
KUB-V1411-73880	I-U-10	45 X 75 mm	70.04
KUB-V1411-74860	I-U-10	35 X 70 mm	67.88
KUB-YW181-95220	P-U-10	30 X 65 mm	95.85
KUB-YW182-95310	I-U-10	35 X 60 mm	93.73
KUB-YW389-97510	P-U-1	35 mm	59.11
KUB-YW397-97510	P-U-10	32 X 50 mm	142.55
KUB-YW415-96510	P-U-10	50 X 90	85.53
KUB-YW423-95210	I-U-10	30 X 65 mm	59.30

REPLACEMENT PARTS FOR KUBOTA EQUIPMENT

NOTE: Kubota part numbers are used as a reference only. We do not imply that these kits are original REPLACEMENT PARTS.

O-RINGS

Part Number	Min Pkg Qty	List Price
KUB-04810-00600	2	\$4.29
KUB-04810-00700	2	5.64
KUB-04810-50750	2	5.42
KUB-04810-50800	5	2.82
KUB-04810-50850	5	7.44
KUB-04810-50950	5	2.80
KUB-04810-51100	5	3.39
KUB-04811-10560	20	0.97
KUB-04811-10650	10	1.44
KUB-04811-10700	10	1.44
KUB-04811-10750	10	1.61
KUB-04811-10800	10	1.65
KUB-04811-10900	10	1.72
KUB-04811-50550	10	1.19
KUB-04811-50750	5	2.23
KUB-04811-50850	5	8.00
KUB-04811-50950	5	2.80
KUB-04811-51000	5	2.60
KUB-04811-51150	5	3.44
KUB-04817-00220	20	0.97
KUB-04817-00440	5	2.05
KUB-04817-08500	5	3.01
KUB-04817-50500	10	1.94
KUB-68131-64291	2	6.53
KUB-68131-64471	2	5.62
KUB-68181-64471	2	5.62
KUB-68541-71541	5	2.14
KUB-68591-67860	5	2.33
KUB-68591-67861	5	2.16
KUB-68811-93351	10	1.70
KUB-68811-93371	10	1.80
KUB-68817-93441	5	2.09
KUB-68869-93441	5	2.07
KUB-69201-91281	5	2.15
KUB-69201-91371	5	2.14
KUB-6C430-57370	20	3.77
KUB-95123-08000	5	2.62
KUB-RC348-71570	50	0.11
KUB-RC348-72220	5	2.91
KUB-RC348-72230	5	2.95
KUB-RC461-71590	5	2.33
KUB-RC561-71580	5	2.91
KUB-RD411-71460	10	1.20
KUB-RD411-71790	20	0.58

O-RINGS

Part Number	Min Pkg Qty	List Price
KUB-RD551-71480	2	\$8.38
KUB-RD551-71860	5	3.24
KUB-RD809-61620	50	0.13
KUB-RD809-72170	2	8.89
KUB-RD809-72190	5	12.24
KUB-RD819-72740	2	5.64
KUB-RD819-72760	5	2.25
KUB-RD829-72850	10	1.79
KUB-RD829-72870	10	2.02
KUB-RP321-71580	5	2.82
KUB-RP321-71590	5	8.97
KUB-RP321-71860	5	2.32
KUB-RP321-71880	5	2.31
KUB-TC650-39940	5	2.56
KUB-TD060-37940	10	1.94

U-SEALS

Part Number	Rod Diam.	List Price
KUB-3C091-63890	32 mm	\$38.18
KUB-68241-67831	50 mm	19.62
KUB-68271-67671	55 mm	19.79
KUB-68371-92141	45 mm	13.92
KUB-68741-71810	45 mm	20.13
KUB-68741-71811	45 mm	19.16
KUB-68773-71490	55 mm	23.28
KUB-68773-73950	60 mm	21.19
KUB-MT310-10410	40 mm	46.48
KUB-MT310-12410	40 mm	18.67
KUB-MT310-20410	45 mm	48.53
KUB-MT310-21410	50 mm	52.52
KUB-MT310-25410	30 mm	36.96
KUB-RC561-71480	50 mm	20.61
KUB-RD551-71450	60 mm	20.38
KUB-RD809-71760	65 mm	22.27
KUB-RD809-72130	65 mm	31.56
KUB-RD819-72710	45 mm	14.49
KUB-RD829-72890	55 mm	40.75
KUB-RP321-71480	45 mm	14.62
KUB-RP321-72230	40 mm	19.13
KUB-YW400-56520	50 mm	15.66

WEAR RINGS

Part Number	OD X Width	List Price
KUB-MT310-25520	55 X 7.9 mm	\$6.87
KUB-RP321-71960	65 X 5.9 mm	7.84
KUB-RP461-71570	70 X 5.9 mm	7.84
KUB-MT310-22520	70 X 9.9 mm	6.54
KUB-MT310-14520	75 X 10 mm	13.44
KUB-RC461-71640	75 X 5.9 mm	8.01
KUB-RD511-71760	75 X 5.9 mm	8.01
KUB-MT310-10520	80 X 10 mm	7.44
KUB-RP321-71640	80 X 5.9 mm	8.01
KUB-RD819-72660	80 X 9.85 mm	4.26
KUB-RC561-71640	85 X 5.9 mm	8.19
KUB-RD411-71260	85 X 5.9 mm	8.19
KUB-YW415-00730	90 X 10 mm	16.24
KUB-RC348-72140	90 X 12.5 mm	10.77
KUB-68741-72121	90 X 14.8 mm	143.86
KUB-RD511-71420	95 X 5.9 mm	8.01
KUB-RD809-72530	100 X 5.9 mm	8.37
KUB-RD551-71970	110 X 10 mm	9.91
KUB-RD809-71722	115 X 7.9 mm	8.71
KUB-RD819-72110	125 X 9.5 mm	9.53

REPLACEMENT PARTS FOR KUBOTA EQUIPMENT

BACK-UP RINGS

Part Number	Min Pkg Qty	List Price
KUB-04810-50900	1	\$2.95
KUB-04811-50900	5	2.15
KUB-48100-15840	1	16.84
KUB-68271-21560	1	7.59
KUB-68371-92171	1	1.13
KUB-68511-71461	1	0.74
KUB-68571-71541	1	9.42
KUB-68741-71821	1	11.24
KUB-68761-62390	1	8.80
KUB-RB511-75640	1	14.07
KUB-RC561-71600	1	13.87
KUB-RC601-71360	1	13.87
KUB-RD551-71850	1	12.41
KUB-RD809-72180	1	14.00
KUB-RD819-72750	1	8.80
KUB-RD829-72860	1	6.23
KUB-V0521-23540	1	4.38
KUB-3C091-63870	1	12.95
KUB-RD551-71460	1	28.49
KUB-RD809-72140	1	54.70
KUB-RD819-72720	1	35.35
KUB-YR818-00220	1	35.35
KUB-RD411-71950	1	1.25
KUB-RP821-71380	1	1.25
KUB-RD411-71240	1	1.81
KUB-RD511-71350	1	2.12
KUB-RD511-71740	1	1.97
KUB-RP321-71570	1	1.97
KUB-RP461-71690	1	1.97
KUB-RP461-71710	1	1.88
KUB-RC561-71570	1	2.71
KUB-RD101-71360	1	3.15
KUB-RD158-71750	1	2.18
KUB-RD809-71550	1	2.44
KUB-RD809-71780	1	5.49
KUB-RP321-71600	1	2.79
KUB-RP321-71870	1	1.83

HEAD SEALS

Part Number	Rod Diam.	List Price
KUB-MT310-12430	66.60 mm	\$25.13
KUB-MT310-22430	71.80 mm	20.71
KUB-MT310-25430	2-1/4 in	7.20
KUB-YW401-59450	3-5/8 in	16.56
KUB-YW401-59460	3-5/8 in	16.56
KUB-YW402-59440	3-1/4 in	16.49
KUB-YW403-59430	76.70 mm	30.05

WIPERS

Part Number	Rod Diam.	List Price
KUB-6C430-57340	25 mm	\$0.83
KUB-6C430-57350	25 X 33 mm	3.86
KUB-68511-71441	30 mm	17.92
KUB-MT310-25420	30 mm	19.94
KUB-3C091-63860	32 mm	19.57
KUB-34550-37580	35 mm	21.02
KUB-68741-71211	40 mm	23.11
KUB-MT310-10420	40 mm	25.70
KUB-RP321-72240	40 mm	25.70
KUB-68171-75141	45 mm	6.50
KUB-68741-71791	45 mm	25.20
KUB-68741-71971	45 mm	25.20
KUB-MT310-20420	45 mm	27.90
KUB-RD819-72730	45 mm	11.31
KUB-RP321-71490	45 mm	27.90
KUB-RP401-71640	45 mm	27.90
KUB-44312-23460	50 mm	9.42
KUB-68331-67581	50 mm	7.37
KUB-MT310-21420	50 mm	28.26
KUB-RC561-71490	50 mm	28.26
KUB-RD101-71351	50 mm	26.91
KUB-V0521-23530	50 mm	27.79
KUB-YW400-56540	50 mm	28.26
KUB-68271-67681	55 mm	13.18
KUB-RD301-71590	55 mm	33.64
KUB-RD551-71350	55 mm	22.21
KUB-RD829-72880	55 mm	33.64
KUB-68271-21550	60 mm	10.05
KUB-RD551-71470	60 mm	34.41
KUB-RD809-71660	60 mm	36.47
KUB-RD809-71770	65 mm	23.27
KUB-RD809-72150	65 mm	15.36
KUB-90791-61330	70 mm	11.44

ROD BUSHINGS

Part Number	Rod Diam.	List Price
KUB-08511-03220	32 mm	\$6.23
KUB-08511-03520	35 mm	8.28
KUB-3C091-63940	32 mm	6.23
KUB-6C430-57390	25 mm	6.23
KUB-RC461-71370	45 mm	20.75
KUB-RC461-71400	40 mm	11.24
KUB-TD060-37920	35 mm	8.28

PISTON SEALS

Part Number	Bore Diam.	List Price
KUB-6C430-57360	40 mm	\$19.34
KUB-TC650-39570	50 mm	20.97
KUB-TD060-37570	55 mm	35.87
KUB-YW389-00440	55 mm	33.48
KUB-MT310-25510	55 mm	33.38
KUB-RP321-71890	65 mm	40.36
KUB-MT310-12510	65 mm	31.36
KUB-RP461-71560	70 mm	42.17
KUB-YW391-00440	70 mm	32.48
KUB-MT310-22510	70 mm	33.38
KUB-68741-71840	75 mm	41.57
KUB-RC461-71630	75 mm	41.57
KUB-MT310-14510	75 mm	33.41
KUB-68741-71841	75 mm	39.59
KUB-MT310-10550	80 mm	46.47
KUB-RD819-72670	80 mm	46.47
KUB-RP321-71360	80 mm	42.97
KUB-68741-71441	80 mm	40.92
KUB-RC501-71380	85 mm	44.20
KUB-RC561-71630	85 mm	44.20
KUB-YW415-00720	90 mm	54.26
KUB-MT310-21510	90 mm	33.39
KUB-RD829-71850	90 mm	34.80
KUB-68741-72111	90 mm	44.45
KUB-RD101-71380	95 mm	51.99
KUB-RD101-71381	95 mm	49.52
KUB-68773-71440	100 mm	43.58
KUB-RD551-71960	110 mm	16.64
KUB-RD809-71790	115 mm	65.55
KUB-RD819-71970	125 mm	61.02

PISTON U-SEALS

Part Number	Bore Diam.	List Price
KUB-69201-91241	90 mm	\$50.64

BUFFER RINGS

Part Number	Rod Diam.	List Price
KUB-68761-71561	45 mm	\$15.08
KUB-RD551-71750	45 mm	11.54
KUB-RD809-71850	55 mm	22.38
KUB-RD809-71650	60 mm	31.79
KUB-RD809-71750	65 mm	37.80

LEACH

Repair parts for Leach are available online at www.HerculesUS.com or by contacting the Hercules Sales Team at the information provided below.

Replacement Kits For

LeTourneau

Wheel Dozers/Loaders							
APPLICATION	CYL #	CODE	ROD	BORE	KIT #	List \$	
MODEL L2350							
BUCKET	R4278414	SK-I-UB-14	7	12-1/2	LTO-R4246388	1950.51	
LIFT	R4241002	SK-I-UB-14	8	16	LTO-R4246394	3422.73	
STEERING	R4271204	SK-P-UB-10	4-1/2	9-1/2	LTO-R4273370	1768.42	

REPLACEMENT KITS FOR LETOURNEAU

NOTE: Letourneau part numbers are used as a reference only. We do not imply that these kits are original REPLACEMENT PARTS.

Kit Number	Code (Pg. xxii)	Rod X Bore Size	List Price
LTO-R4246388	I-UB-14	7 X 12-1/2	\$1,950.51
LTO-R4246394	I-UB-14	8 X 16	3,422.73

Kit Number	Code (Pg. xxii)	Rod X Bore Size	List Price
LTO-R4273370	P-UB-10	4-1/2 X 9-1/2	\$1,768.42

NOTES

NOTES

REPLACEMENT SEAL KITS FOR LIEBHERR EQUIPMENT*

Replacement Seal Kits By Machine Type

Table of Contents

Machine Type	Page
Excavators R900 C-LI, R900 C HD-S LI, R900 C HD-SL LI, R904 C-LI, R904 C HD-SL 2000 LI, R904 C-HD-SL 2250 LI, R912 HD-SL, R912 LC, R914 B, R914 B HD-S, R914 B HD-SL, R924 B HD-SL LI, R924 Compact, R932 EW, R932 HD-SL, R934 B, R934 C, R934 EW, R934 HD-SL, R934 C HD-S, R934 C HD-SL, R942 HD-SL, R944 B, R944 C, R944 HD-SL, R954 B, R954 C, R954 HD, R964 C	1000 - 1004
Excavators - Wheel A309 LI, A311 LI, A312 LI, A314 LI, A316 LI, A900 C-LI, A904 C-LI	1004 - 1007
Loaders - Wheel L506 Stereo, L507 Stereo, L508 Stereo, L509 Stereo, L538, L538 (Z-bar), L544, L556 2plus2, L556 2plus2 High Lift, L564, L566 2plus2, L566 2plus2 High Lift	1007 - 1008
Off-Highway Trucks KL2420	1008
Alpha-Numeric Kit Listing	1009 - 1010
Liebherr Individual Parts	1010

LIEBHERR

All manufacturer's names, part numbers and descriptions are used for reference purposes only. We do not imply that any part shown is the product of these manufacturers. We also do not imply that the list price shown is exactly that of the manufacturer.

LIEBHERR

Replacement Kits For

Excavators						
APPLICATION	MISC:	CODE	ROD	BORE	KIT #	List \$
MODEL R900 C-LI, R900 C HD-S LI, R900 C HD-SL LI						
Boom Adj (Hyd Adj)		N-N-10		140 mm	LBH-9165363	465.51
Boom Lift (Hyd Adj & Std)		I-BB-1	70 mm		LBH-9172122	136.66
		N-N-10		120 mm	LBH-9172577	217.29
Boom Lift (Ind Boom)		I-BB-1	85 mm		LBH-9158175	191.76
		N-N-10		125 mm	LBH-9060977	217.17
Boom Offset	100mm Bore Cyl	I-BB-1	50 mm		LBH-9062932	73.13
	90mm Bore Cyl	I-BB-1	50 mm		LBH-9061030	134.90
	90mm Bore Cyl	N-N-10		90 mm	LBH-9061380	125.50
Bucket (2.25m, 2.45m, 2.65m Stick)		I-BB-1	70 mm		LBH-9172117	226.80
		N-N-10		100 mm	LBH-9174200	186.13
Bucket (5.2m Stick)		I-BB-1	60 mm		LBH-9061404	154.93
		N-N-10		90 mm	LBH-9061380	125.50
Dozer Blade		N-N-10		130 mm	LBH-9111341	238.53
Stick		N-N-10		130 mm	LBH-9171671	216.65
Swivel Rotary (C-LI)		I-BB-1	95 mm		LBH-9265132	3792.82
Swivel Rotary (HDS & HD-SL)		I-BB-1	95 mm		LBH-9144401	711.09
MODEL R904 C-LI, R904 C HD-SL 2000 LI, R904 C-HD-SL 2250 LI						
Boom Adj (Hyd Adj)		I-BB-1	80 mm		LBH-9063173	381.45
		N-N-10		140 mm	LBH-9165363	465.51
Boom Lift (Hyd Adj)		I-BB-1	85 mm		LBH-9060195	192.61
		N-N-10		130 mm	LBH-9171671	216.65
Boom Offset		I-BB-1	50 mm		LBH-9061030	134.90
		N-N-10		90 mm	LBH-9061380	125.50
Bucket		I-BB-1	80 mm		LBH-9172118	373.99
		N-N-10		120 mm	LBH-9172577	217.29
Bucket (Ditch Clean)	1700mm	I-BB-1	50 mm		LBH-9061030	134.90
	1700mm	N-N-10		90 mm	LBH-9061380	125.50
Stick (Hyd Adj Boom)		I-BB-1	85 mm		LBH-9060195	192.61
		N-N-10		130 mm	LBH-9171671	216.65
Stick (Ind Boom)		I-BB-1	80 mm		LBH-9172118	373.99
		N-N-10		120 mm	LBH-9172577	217.29
Stick (Lat Adj Boom)		I-BB-1	85 mm		LBH-9060195	192.61
		N-N-10		130 mm	LBH-9171671	216.65
Stick (Std Boom)		N-N-10		130 mm	LBH-9171671	216.65
Swivel Rotary		I-BB-1	95 mm		LBH-9144401	711.09
MODEL R912 HD-SL, R912 LC						
Boom Lift		I-BB-1	85 mm		LBH-9060195	192.61
		N-N-10		130 mm	LBH-9171671	216.65
Boom Lift (Hyd Adj)		I-BB-1	90 mm		LBH-9060196	284.06
		N-N-10		140 mm	LBH-9165363	465.51
Boom Lift (Std & Ind Boom)		I-BB-1	85 mm		LBH-9158175	191.76
		N-N-10		125 mm	LBH-9060977	217.17
Bucket (5.5m Stick)		I-BB-1	80 mm		LBH-9172118	373.99
		N-N-10		120 mm	LBH-9172577	217.29
Bucket (Std)		I-BB-1	85 mm		LBH-9158175	191.76
		N-N-10		125 mm	LBH-9060977	217.17
Stick (4.0m, 5.0m, 5.65m, 7.2m Std Boom)		I-BB-1	95 mm		LBH-9060197	237.13
		N-N-10		140 mm	LBH-9165363	465.51
Stick (6.8m Std Boom)		I-BB-1	85 mm		LBH-9158175	191.76
		N-N-10		125 mm	LBH-9060977	217.17
Stick (9.7m LR)		I-BB-1	85 mm		LBH-9158175	191.76
		N-N-10		125 mm	LBH-9060977	217.17
Swivel Rotary		I-BB-1	95 mm		LBH-9144401	711.09
MODEL R914 B, R914 B HD-S, R914 B HD-SL						
Boom Adj (Hyd Adj)		N-N-10		160 mm	LBH-9154141	298.14
Boom Lift	130mm Bore Cyl	I-BB-1	85 mm		LBH-9060195	192.61
	130mm Bore Cyl	N-N-10		130 mm	LBH-9171671	216.65

LIEBHERR

Replacement Kits For

LIEBHERR

LIEBHERR

Excavators						
APPLICATION	MISC:	CODE	ROD	BORE	KIT #	List \$
MODEL R914 B, R914 B HD-S, R914 B HD-SL						
Boom Lift	140mm Bore Cyl	I-BB-1	90 mm		LBH-9060196	284.06
	140mm Bore Cyl	N-N-10		140 mm	LBH-9165363	465.51
	150mm Bore Cyl	I-BB-1	95 mm		LBH-9062534	401.67
	150mm Bore Cyl	N-N-10		150 mm	LBH-9165440	499.55
Boom Offset		I-BB-1	50 mm		LBH-9061030	134.90
		N-N-10		90 mm	LBH-9061380	125.50
Bucket (1.8m, 2.4m, 2.7m, 3m, 3.7m, 5.0m, 5.2m Stick)		I-BB-1	85 mm		LBH-9060195	192.61
		N-N-10		130 mm	LBH-9171671	216.65
Bucket (2.1m, 2.4m, 2.7m, 3m, 3.7m Stick)		I-BB-1	85 mm		LBH-9158175	191.76
		N-N-10		125 mm	LBH-9060977	217.17
Bucket (5.0m Ind Stick)		I-BB-1	80 mm		LBH-9172118	373.99
		N-N-10		120 mm	LBH-9172577	217.29
Bucket (5.2m, 6.0m, 6.8m Stick)		I-BB-1	80 mm		LBH-9172118	373.99
		N-N-10		120 mm	LBH-9172577	217.29
Bucket (7.4m LR Stick)		I-BB-1	60 mm		LBH-9061404	154.93
		N-N-10		90 mm	LBH-9061380	125.50
Dozer Blade		N-N-10		130 mm	LBH-9111341	238.53
Stick (4.0m Hyd Adj Boom)	140mm Bore Cyl	I-BB-1	95 mm		LBH-9060197	237.13
	140mm Bore Cyl	N-N-10		140 mm	LBH-9165363	465.51
	s/n -13609	I-BB-1	105 mm		LBH-9158311	294.39
	s/n -13609	N-N-10		150 mm	LBH-9165440	499.55
	s/n 13610-	I-BB-1	105 mm		LBH-9158311	294.39
	s/n 13610-	N-N-10		150 mm	LBH-9165440	499.55
Stick (5.0m, 5.5m Hyd Adj Boom)	140mm Bore Cyl	N-N-10		140 mm	LBH-9165363	465.51
	150mm Bore Cyl	I-BB-1	105 mm		LBH-9158311	294.39
	150mm Bore Cyl	N-N-10		150 mm	LBH-9165440	499.55
Stick (5.0m, 5.7m, 7.2m, 7.6m, 8.2m Std Boom)		N-N-10		140 mm	LBH-9165363	465.51
Stick (5.6m Ind Boom)		I-BB-1	80 mm		LBH-9172118	373.99
		N-N-10		120 mm	LBH-9172577	217.29
Stick (5.7m, 8.2m, 9.0m Std Boom)		I-BB-1	105 mm		LBH-9158311	294.39
		N-N-10		150 mm	LBH-9165440	499.55
		N-N-10		140 mm	LBH-9165363	465.51
Stick (6.0m Std Boom)	s/n -13679	N-N-10		140 mm	LBH-9165363	465.51
	s/n 13680-	I-BB-1	105 mm		LBH-9158311	294.39
	s/n 13680-	N-N-10		150 mm	LBH-9165440	499.55
Stick (6.5m, 6.8m Ind Boom)		I-BB-1	85 mm		LBH-9158175	191.76
		N-N-10		125 mm	LBH-9060977	217.17
		I-BB-1	95 mm		LBH-9060197	237.13
Stick (Lat Adj Boom)		N-N-10		140 mm	LBH-9165363	465.51
		I-BB-1	95 mm		LBH-9144401	711.09
Swivel Rotary		I-BB-1	95 mm		LBH-9144401	711.09
MODEL R924 B HD-SL LI						
Boom Adj (Hyd Adj)		N-N-10		160 mm	LBH-9154141	298.14
Boom Lift	130mm Bore Cyl	I-BB-1	85 mm		LBH-9060195	192.61
	130mm Bore Cyl	N-N-10		130 mm	LBH-9171671	216.65
	140mm Bore Cyl	I-BB-1	90 mm		LBH-9060196	284.06
	140mm Bore Cyl	N-N-10		140 mm	LBH-9165363	465.51
	150mm Bore Cyl	I-BB-1	95 mm		LBH-9062534	401.67
	150mm Bore Cyl	N-N-10		150 mm	LBH-9165440	499.55
Bucket (3.2m Ind Stick)		I-BB-1	105 mm		LBH-9061003	269.70
		N-N-10		160 mm	LBH-9154141	298.14
Bucket (3.7m FS Stick)		I-BB-1	85 mm		LBH-9158175	191.76
		N-N-10		125 mm	LBH-9060977	217.17
Bucket (4.0m, 5.0m Ind Stick)		I-BB-1	80 mm		LBH-9172118	373.99
Bucket (7.4m LR Stick)		I-BB-1	60 mm		LBH-9061404	154.93
		N-N-10		90 mm	LBH-9061380	125.50
Clam 10B		I-BB-1	60 mm		LBH-9114673	116.81
		N-N-10		85 mm	LBH-9113351	136.59

Replacement Kits For

LIEBHERR

Excavators						
APPLICATION	MISC:	CODE	ROD	BORE	KIT #	List \$
MODEL R924 B HD-SL LI						
Clam 70C		I-BB-1	50 mm		LBH-9155154	210.34
		N-N-10		70 mm	LBH-9063464	69.46
Stick (4.0m Hyd Adj Boom)	s/n -13609	I-BB-1	95 mm		LBH-9060197	237.13
	s/n -13609	N-N-10		140 mm	LBH-9165363	465.51
	s/n 13610-	I-BB-1	105 mm		LBH-9158311	294.39
	s/n 13610-	N-N-10		150 mm	LBH-9179503	237.23
Stick (5.0m, 5.5m Hyd Adj Boom)	140mm Bore Cyl	I-BB-1	95 mm		LBH-9060197	237.13
	140mm Bore Cyl	N-N-10		140 mm	LBH-9165363	465.51
	150mm Bore Cyl	I-BB-1	105 mm		LBH-9158311	294.39
	150mm Bore Cyl	N-N-10		150 mm	LBH-9179503	237.23
Stick (5.0m, 5.7m, 6.0m, 7.6m, 8.2m Std Boom)		I-BB-1	95 mm		LBH-9060197	237.13
		N-N-10		140 mm	LBH-9165363	465.51
Stick (5.7m, 5.9m, 6.0m, 8.2m, 9.0m Std Boom)		I-BB-1	105 mm		LBH-9158311	294.39
		N-N-10		150 mm	LBH-9179503	237.23
Stick (Ind Boom)	6.8m & 7.8m Boom	I-BB-1	85 mm		LBH-9158175	191.76
	6.8m & 7.8m Boom	N-N-10		125 mm	LBH-9060977	217.17
Stick (LR)		I-BB-1	85 mm		LBH-9060195	192.61
		N-N-10		130 mm	LBH-9171671	216.65
Swivel Rotary		I-BB-1	95 mm		LBH-9144401	711.09
MODEL R924 Compact						
Boom Adj (Hyd Adj)		N-N-10		160 mm	LBH-9154141	298.14
Boom Lift		I-BB-1	90 mm		LBH-9172119	235.70
		N-N-10		130 mm	LBH-9171671	216.65
Boom Offset		I-BB-1	50 mm		LBH-9061030	134.90
		N-N-10		90 mm	LBH-9061380	125.50
Bucket		I-BB-1	80 mm		LBH-9172118	373.99
		N-N-10		120 mm	LBH-9172577	217.29
Stick		I-BB-1	95 mm		LBH-9060197	237.13
		N-N-10		140 mm	LBH-9165363	465.51
Swivel Rotary	198 Litronic	I-BB-1	95 mm		LBH-9265132	3792.82
	911 Litronic	I-BB-1	95 mm		LBH-9144401	711.09
MODEL R932 EW, R932 HD-SL						
Boom Adj (Hyd Adj)	160mm Bore Cyl	I-BB-1	105 mm		LBH-9061003	269.70
	160mm Bore Cyl	N-N-10		160 mm	LBH-9154141	298.14
	180mm Bore Cyl	N-N-10		180 mm	LBH-9169654	655.63
Boom Lift		I-BB-1	95 mm		LBH-9060197	237.13
		N-N-10		140 mm	LBH-9165363	465.51
Bucket (1.9m Stick)		I-BB-1	95 mm		LBH-9060197	237.13
		N-N-10		140 mm	LBH-9165363	465.51
Stick (4.0m Hyd Adj Boom)		I-BB-1	105 mm		LBH-9158311	294.39
		N-N-10		150 mm	LBH-9156782	230.92
Swivel Rotary		I-BB-1	95 mm		LBH-9144401	711.09
MODEL R934 B, R934 C, R934 EW, R934 HD-SL						
Boom Lift		I-BB-1	95 mm		LBH-9062534	401.67
		N-N-10		150 mm	LBH-9165440	499.55
Boom Lift (Ind Boom)		I-BB-1	105 mm		LBH-9158311	294.39
		N-N-10		150 mm	LBH-9156782	230.92
Bucket (3.0m Stick)		I-BB-1	80 mm		LBH-9172118	373.99
		N-N-10		120 mm	LBH-9172577	217.29
Bucket (4.8m Ind Stick)		I-BB-1	70 mm		LBH-9062256	138.46
		N-N-10		125 mm	LBH-9060977	217.17
Bucket (5.2m Demolition)		I-BB-1	85 mm		LBH-9060195	192.61
		N-N-10		130 mm	LBH-9171671	216.65
Bucket (8.8m, 7.5m LR Stick)		I-BB-1	70 mm		LBH-9172117	226.80
		N-N-10		100 mm	LBH-9174200	186.13
Stick (10.0m LR)		I-BB-1	90 mm		LBH-9060196	284.06
		N-N-10		140 mm	LBH-9165363	465.51

LIEBHERR

LIEBHERR

Replacement Kits For

Excavators						
APPLICATION	MISC:	CODE	ROD	BORE	KIT #	List \$
MODEL R934 B, R934 C, R934 EW, R934 HD-SL						
Stick (11.5m LR)		I-BB-1	95 mm		LBH-9060197	237.13
		N-N-10		140 mm	LBH-9165363	465.51
Stick (4.0m, 5.2m, 6.2m Hyd Adj Boom)		I-BB-1	105 mm		LBH-9158311	294.39
		N-N-10		150 mm	LBH-9165440	499.55
Stick (7.0m Ind Boom)		I-BB-1	95 mm		LBH-9060197	237.13
		N-N-10		140 mm	LBH-9165363	465.51
Stick (Std Boom)		I-BB-1	105 mm		LBH-9158311	294.39
		N-N-10		150 mm	LBH-9165440	499.55
Swivel Rotary		I-BB-1	95 mm		LBH-9144401	711.09
MODEL R934 C HD-S, R934 C HD-SL						
Boom Adj (Hyd Adj)		I-BB-1	110 mm		LBH-9158144	562.62
		N-N-10		180 mm	LBH-9169654	655.63
Boom Lift		I-BB-1	95 mm		LBH-9062534	401.67
		N-N-10		150 mm	LBH-9165440	499.55
Boom Lift (Ind Boom)		I-BB-1	100 mm		LBH-9596597	333.31
		N-N-10		150 mm	LBH-9165440	499.55
Bucket (3.1m Stick)		I-BB-1	85 mm		LBH-9060195	192.61
		N-N-10		130 mm	LBH-9171671	216.65
Bucket (3.6m Ind Stick)		I-BB-1	110 mm		LBH-9158144	562.62
		N-N-10		170 mm	LBH-9062821	395.92
Bucket (4.8m Ind Stick)		I-BB-1	70 mm		LBH-9062256	138.46
		N-N-10		125 mm	LBH-9060977	217.17
Bucket (Ditch Clean)	2400mm 1.15M3 (2x45° Adj)	I-BB-1	50 mm		LBH-9155154	210.34
Clam 65		I-BB-1	50 mm		LBH-9155154	210.34
		N-N-10		70 mm	LBH-9063464	69.46
Stick (4.2m Hyd Adj Boom)		I-BB-1	105 mm		LBH-9061003	269.70
		N-N-10		160 mm	LBH-9154141	298.14
Stick (5.2m Hyd Adj Boom)		I-BB-1	105 mm		LBH-9158311	294.39
		N-N-10		150 mm	LBH-9179503	237.23
Stick (Ind Boom)		I-BB-1	95 mm		LBH-9060197	237.13
		N-N-10		140 mm	LBH-9165363	465.51
Stick (Std Boom)		I-BB-1	105 mm		LBH-9158311	294.39
		N-N-10		150 mm	LBH-9179503	237.23
Swivel Rotary		I-BB-1	95 mm		LBH-9144401	711.09
MODEL R942 HD-SL						
Boom Lift		I-BB-1	105 mm		LBH-9158311	294.39
		N-N-10		150 mm	LBH-9156782	230.92
Bucket (2.1m, 2.6m, 3.3m, 4.1m Stick)		I-BB-1	105 mm		LBH-9158311	294.39
		N-N-10		150 mm	LBH-9156782	230.92
Bucket (4.8m Stick)		I-BB-1	95 mm		LBH-9060197	237.13
		N-N-10		140 mm	LBH-9165363	465.51
Stick (4.5m, 5.5m, 6.0m Stick)		N-N-10		160 mm	LBH-9154141	298.14
Stick (6.3m Std Boom)		I-BB-1	105 mm		LBH-9061003	269.70
		N-N-10		160 mm	LBH-9154141	298.14
Stick (7.7m, 9.0m, 10.5m Ind Boom)		I-BB-1	105 mm		LBH-9158311	294.39
		N-N-10		150 mm	LBH-9156782	230.92
Swivel Rotary		I-BB-1	95 mm		LBH-9144401	711.09
MODEL R944 B, R944 C, R944 HD-SL						
Boom Lift		I-BB-1	105 mm		LBH-9061003	269.70
		N-N-10		160 mm	LBH-9154141	298.14
Bucket (2.1m Stick)		I-BB-1	105 mm		LBH-9061003	269.70
		N-N-10		160 mm	LBH-9154141	298.14
Bucket (2.6m, 3.3m, 4.1m Stick)		I-BB-1	105 mm		LBH-9158311	294.39
		N-N-10		150 mm	LBH-9156782	230.92
Bucket (4.0m Stick)		I-BB-1	80 mm		LBH-9172118	373.99
		N-N-10		120 mm	LBH-9172577	217.29
Bucket (4.1m Curved Stick)		I-BB-1	105 mm		LBH-9158311	294.39
		N-N-10		150 mm	LBH-9156782	230.92

LIEBHERR

LIEBHERR

Replacement Kits For

Excavators						
APPLICATION	MISC:	CODE	ROD	BORE	KIT #	List \$
MODEL R944 B, R944 C, R944 HD-SL						
Bucket (4.1m Stick)		I-BB-1	105 mm		LBH-9061003	269.70
		N-N-10		160 mm	LBH-9154141	298.14
Bucket (5.5m Curved Stick)		I-BB-1	95 mm		LBH-9060197	237.13
		N-N-10		140 mm	LBH-9165363	465.51
Stick (6.3m, 7.5m, 10.4m Std Boom)		I-BB-1	110 mm		LBH-9063688	313.83
		N-N-10		160 mm	LBH-9154141	298.14
Swivel Rotary		I-BB-1	95 mm		LBH-9144401	711.09
MODEL R954 B, R954 C, R954 HD						
Boom Lift (FS Bucket)		I-BB-1	125 mm		LBH-9062985	417.68
		N-N-10		180 mm	LBH-9062632	281.27
Boom Lift (Std)		I-BB-1	110 mm		LBH-9158144	562.62
		N-N-10		180 mm	LBH-9062632	281.27
Bucket		I-BB-1	105 mm		LBH-9158311	294.39
Bucket (2.35m Stick)		I-BB-1	110 mm		LBH-9158144	562.62
		N-N-10		180 mm	LBH-9062632	281.27
Bucket (2.9m Stick)		I-BB-1	110 mm		LBH-9158144	562.62
		N-N-10		170 mm	LBH-9169653	580.30
Bucket (Demolition)		I-BB-1	95 mm		LBH-9060197	237.13
		N-N-10		140 mm	LBH-9165363	465.51
Stick (10.3m Stick)		N-N-10		170 mm	LBH-9062821	395.92
Stick (6.7m Std Boom)		I-BB-1	125 mm		LBH-9062985	417.68
		N-N-10		180 mm	LBH-9062632	281.27
Stick (7.0m Ind Boom)		I-BB-1	125 mm		LBH-9064091	333.15
Stick (8.8m, 11.3m Ind Boom)		I-BB-1	110 mm		LBH-9063688	313.83
		N-N-10		160 mm	LBH-9154141	298.14
Stick (Std Boom)		I-BB-1	125 mm		LBH-9062985	417.68
		N-N-10		180 mm	LBH-9062632	281.27
Swivel Rotary		I-BB-1	130 mm		LBH-9265064	1560.15
MODEL R964 C						
Boom Lift		N-N-10		180 mm	LBH-9169654	655.63
	1x6.3mm & 1x8.1mm wide rod seals	I-BB-1	125 mm		LBH-9062985	417.68
	2x6.3mm wide rod seals	I-BB-1	125 mm		LBH-9158145	273.00
Bucket (2.6m Stick)		N-N-10		180 mm	LBH-9062632	281.27
	1x6.3mm & 1x8.1mm wide rod seals	I-BB-1	125 mm		LBH-9062985	417.68
	2x6.3mm wide rod seals	I-BB-1	125 mm		LBH-9158145	273.00
Bucket (3.4m Stick)		I-BB-1	110 mm		LBH-9158144	562.62
		N-N-10		180 mm	LBH-9062632	281.27
	2x6.3mm wide rod seals	I-BB-1	125 mm		LBH-9158145	273.00
Bucket (4.2m Stick)		I-BB-1	125 mm		LBH-9062985	417.68
		N-N-10		180 mm	LBH-9062632	281.27
Bucket (5.0m Stick)		I-BB-1	110 mm		LBH-9158144	562.62
		N-N-10		170 mm	LBH-9062821	395.92
Stick (7.0m, 8.2m, 10m Std Boom)		N-N-10		210 mm	LBH-9159705	412.77
	1x6.3mm & 1x8.1mm wide rod seals	I-BB-1	140 mm		LBH-9062984	456.05
	2x6.3mm wide rod seals	I-BB-1	140 mm		LBH-9061471	483.95
Swivel Rotary		I-BB-1	130 mm		LBH-9265064	1560.15
Excavators - Wheel						
APPLICATION	MISC:	CODE	ROD	BORE	KIT #	List \$
MODEL A309 LI						
Boom Adj (Hyd Adj)		I-BB-1	70 mm		LBH-9062256	138.46
		N-N-10		125 mm	LBH-9060977	217.17
Boom Lift		I-BB-1	70 mm		LBH-9583532	127.38
		N-N-10		115 mm	LBH-9113343	179.93
Bucket		I-BB-1	50 mm		LBH-9063554	135.71

LIEBHERR

Replacement Kits For

LIEBHERR

LIEBHERR

Excavators - Wheel						
APPLICATION	MISC:	CODE	ROD	BORE	KIT #	List \$
MODEL A309 LI						
Bucket (Ditch Clean)	1300mm	I-BB-1	36 mm		LBH-9063270	82.46
Oscillating Axle Stabilizer		I-BB-1	85 mm		LBH-9158310	102.69
Stabilizers		N-N-10		110 mm	LBH-9063452	95.92
Stick		I-BB-1	60 mm		LBH-9061404	154.93
		N-N-10		90 mm	LBH-9061380	125.50
Swivel Rotary		I-BB-1	95 mm		LBH-9265132	3792.82
MODEL A311 LI						
Boom Adj (Hyd Adj)		I-BB-1	70 mm		LBH-9062256	138.46
		N-N-10		125 mm	LBH-9060977	217.17
Boom Lift		I-BB-1	70 mm		LBH-9062256	138.46
		N-N-10		125 mm	LBH-9060977	217.17
Bucket		I-BB-1	60 mm		LBH-9061404	154.93
		N-N-10		90 mm	LBH-9061380	125.50
Bucket (Ditch Clean)	1500mm 0,33M3	I-BB-1	36 mm		LBH-9063270	82.46
	1700mm 0,37M3	I-BB-1	50 mm		LBH-9155154	210.34
Dozer Blade	2550mm	N-N-10		110 mm	LBH-9063452	95.92
Oscillating Axle Stabilizer		I-BB-1	85 mm		LBH-9158310	102.69
Stabilizers		N-N-10		110 mm	LBH-9063452	95.92
Stick		I-BB-1	70 mm		LBH-9172117	226.80
		N-N-10		100 mm	LBH-9174200	186.13
Swivel Rotary		I-BB-1	95 mm		LBH-9265132	3792.82
MODEL A312 LI						
Boom Adj (Hyd Adj)		I-BB-1	80 mm		LBH-9063173	381.45
		N-N-10		140 mm	LBH-9165363	465.51
Boom Lift		I-BB-1	70 mm		LBH-9172117	226.80
		N-N-10		100 mm	LBH-9174200	186.13
Bucket		I-BB-1	60 mm		LBH-9061404	154.93
		N-N-10		90 mm	LBH-9061380	125.50
Dozer Blade	110mm Bore Cyl	I-BB-1	60 mm		LBH-9063449	115.66
	110mm Bore Cyl	N-N-10		110 mm	LBH-9063452	95.92
	90mm Bore Cyl	I-BB-1	50 mm		LBH-9061030	134.90
	90mm Bore Cyl	N-N-10		90 mm	LBH-9061380	125.50
Oscillating Axle Stabilizer		I-BB-1	85 mm		LBH-9158310	102.69
Stabilizers		I-BB-1	70 mm		LBH-9193515	188.75
		N-N-10		120 mm	LBH-9172577	217.29
Stick		N-N-10		110 mm	LBH-9159131	174.18
Swing		I-BB-1	50 mm		LBH-9061030	134.90
		N-N-10		90 mm	LBH-9061380	125.50
Swivel Rotary		I-BB-1	95 mm		LBH-9265132	3792.82
MODEL A314 LI						
Boom Adj (Hyd Adj)		I-BB-1	80 mm		LBH-9063173	381.45
		N-N-10		140 mm	LBH-9165363	465.51
Boom Lift		I-BB-1	70 mm		LBH-9063172	201.01
		N-N-10		110 mm	LBH-9159131	174.18
Boom Offset		I-BB-1	50 mm		LBH-9061030	134.90
		N-N-10		90 mm	LBH-9061380	125.50
Bucket		I-BB-1	60 mm		LBH-9061404	154.93
		N-N-10		90 mm	LBH-9061380	125.50
Dozer Blade	110mm Bore Cyl	I-BB-1	60 mm		LBH-9063449	115.66
	110mm Bore Cyl	N-N-10		110 mm	LBH-9063452	95.92
	90mm Bore Cyl	I-BB-1	50 mm		LBH-9061030	134.90
	90mm Bore Cyl	N-N-10		90 mm	LBH-9061380	125.50
Oscillating Axle Stabilizer		I-BB-1	85 mm		LBH-9063709	195.58
Stabilizers		I-BB-1	70 mm		LBH-9193515	188.75
		N-N-10		120 mm	LBH-9172577	217.29
Stick		N-N-10		115 mm	LBH-9113343	179.93
Stick (3.2m Boom)	-1997	I-BB-1	70 mm		LBH-9063172	201.01

Replacement Kits For

LIEBHERR

Excavators - Wheel

APPLICATION	MISC:	CODE	ROD	BORE	KIT #	List \$
MODEL A314 LI						
Stick (3.2m Boom)	-1997	N-N-10		110 mm	LBH-9159131	174.18
	2001-	N-N-10		115 mm	LBH-9113343	179.93
Stick (4.3m Std, Lat Adj Boom)	s/n -28989	N-N-10		115 mm	LBH-9113343	179.93
Stick (4.5m Std Boom)		I-BB-1	70 mm		LBH-9063172	201.01
		N-N-10		110 mm	LBH-9159131	174.18
	2001-	N-N-10		115 mm	LBH-9113343	179.93
Stick (4.9m Std Boom, Lat Adj)		N-N-10		115 mm	LBH-9113343	179.93
Stick (5.0m Std Boom)		N-N-10		115 mm	LBH-9113343	179.93
Swivel Rotary		I-BB-1	95 mm		LBH-9265132	3792.82
MODEL A316 LI						
Boom Adj (Hyd Adj)		I-BB-1	80 mm		LBH-9063173	381.45
		N-N-10		140 mm	LBH-9165363	465.51
Boom Lift		I-BB-1	70 mm		LBH-9172122	136.66
		N-N-10		120 mm	LBH-9172577	217.29
Boom Offset		I-BB-1	50 mm		LBH-9061030	134.90
		N-N-10		90 mm	LBH-9061380	125.50
Bucket		I-BB-1	70 mm		LBH-9172117	226.80
		N-N-10		100 mm	LBH-9174200	186.13
Cab Elevation		I-BB-1	50 mm		LBH-9063554	135.71
		N-N-10		80 mm	LBH-9061383	65.12
Dozer Blade	100mm Bore Cyl	I-BB-1	60 mm		LBH-9174143	110.88
	100mm Bore Cyl	N-N-10		100 mm	LBH-9174142	149.82
	110mm Bore Cyl	I-BB-1	60 mm		LBH-9063449	115.66
	110mm Bore Cyl	N-N-10		110 mm	LBH-9063452	95.92
	90mm Bore Cyl	I-BB-1	50 mm		LBH-9061030	134.90
90mm Bore Cyl	N-N-10		90 mm	LBH-9061380	125.50	
Oscillating Axle Stabilizer		I-BB-1	85 mm		LBH-9063709	195.58
Stabilizers		I-BB-1	70 mm		LBH-9193515	188.75
		N-N-10		120 mm	LBH-9172577	217.29
Stick		I-BB-1	80 mm		LBH-9172118	373.99
		N-N-10		120 mm	LBH-9172577	217.29
Stick (4.6m Ind Boom)		I-BB-1	70 mm		LBH-9063172	201.01
		N-N-10		110 mm	LBH-9159131	174.18
Swivel Rotary		I-BB-1	95 mm		LBH-9265132	3792.82
MODEL A900 C-LI						
Boom Adj (Hyd Adj)		I-BB-1	80 mm		LBH-9063173	381.45
		N-N-10		140 mm	LBH-9165363	465.51
Boom Lift		I-BB-1	85 mm		LBH-9158175	191.76
		N-N-10		125 mm	LBH-9060977	217.17
Boom Offset	100mm Bore Cyl	I-BB-1	50 mm		LBH-9062932	73.13
	90mm Bore Cyl	I-BB-1	50 mm		LBH-9061030	134.90
	90mm Bore Cyl	N-N-10		90 mm	LBH-9061380	125.50
Bucket (2.65m, 3.05m Stick)		I-BB-1	70 mm		LBH-9172117	226.80
		N-N-10		100 mm	LBH-9174200	186.13
Bucket (5.2m Stick)		I-BB-1	60 mm		LBH-9061404	154.93
		N-N-10		90 mm	LBH-9061380	125.50
Dozer Blade		I-BB-1	50 mm		LBH-9061030	134.90
		N-N-10		90 mm	LBH-9061380	125.50
Oscillating Axle Stabilizer		I-BB-1	85 mm		LBH-9063709	195.58
Stabilizers		I-BB-1	70 mm		LBH-9193515	188.75
		N-N-10		120 mm	LBH-9172577	217.29
Stick		I-BB-1	85 mm		LBH-9060195	192.61
		N-N-10		130 mm	LBH-9171671	216.65
Swivel Rotary		I-BB-1	95 mm		LBH-9265132	3792.82
MODEL A904 C-LI						
Boom Adj (Hyd Adj)		I-BB-1	80 mm		LBH-9063173	381.45
	for Deep Hole	I-BB-1	90 mm		LBH-9060196	284.06

LIEBHERR

Replacement Kits For

LIEBHERR

LIEBHERR

Excavators - Wheel						
APPLICATION	MISC:	CODE	ROD	BORE	KIT #	List \$
MODEL A904 C-LI						
Boom Adj (Hyd Adj)	for Deep Hole	N-N-10		140 mm	LBH-9165363	465.51
Boom Lift (Hyd Adj)		I-BB-1	85 mm		LBH-9285625	275.13
		N-N-10		135 mm	LBH-9285577	254.75
Boom Lift (Ind Boom)		I-BB-1	85 mm		LBH-9060195	192.61
		N-N-10		130 mm	LBH-9171671	216.65
Boom Lift (Std Boom)		I-BB-1	85 mm		LBH-9285625	275.13
		N-N-10		135 mm	LBH-9285577	254.75
Bucket (2.25m, 2.45m, 2.65m, 3.05m, 4.25m Stick)		I-BB-1	80 mm		LBH-9172118	373.99
		N-N-10		120 mm	LBH-9172577	217.29
Bucket (3.5m, 4.5m Ind Stick)		I-BB-1	80 mm		LBH-9172118	373.99
		N-N-10		120 mm	LBH-9172577	217.29
Bucket (4.3m Ind Stick)		I-BB-1	70 mm		LBH-9062256	138.46
		N-N-10		125 mm	LBH-9060977	217.17
Bucket (4.6m LR Stick)		I-BB-1	60 mm		LBH-9061404	154.93
		N-N-10		90 mm	LBH-9061380	125.50
Bucket (5.0m Stick)		I-BB-1	60 mm		LBH-9061404	154.93
		N-N-10		90 mm	LBH-9061380	125.50
Dozer Blade	Front Dual Cyl; Prop Up 2550mm, 2750mm	I-BB-1	50 mm		LBH-9158084	137.22
	Front Single Cyl	I-BB-1	60 mm		LBH-9174143	110.88
	Front Single Cyl	N-N-10		100 mm	LBH-9174142	149.82
	Prop Up 2550mm	I-BB-1	60 mm		LBH-9063449	115.66
	Prop Up 2550mm	N-N-10		110 mm	LBH-9063452	95.92
Oscillating Axle Stabilizer		I-BB-1	85 mm		LBH-9063709	195.58
Stabilizers		I-BB-1	70 mm		LBH-9193515	188.75
		N-N-10		120 mm	LBH-9172577	217.29
Stick		I-BB-1	85 mm		LBH-9060195	192.61
		N-N-10		130 mm	LBH-9171671	216.65
Stick (4.6m, 6.8m LR Stick)		I-BB-1	70 mm		LBH-9583532	127.38
		N-N-10		115 mm	LBH-9113343	179.93
Stick (5.2m Std Boom, Lat Adj)		I-BB-1	85 mm		LBH-9060195	192.61
		N-N-10		130 mm	LBH-9171671	216.65
Stick (5.3m, 7.4m, 5.6m Std Boom)		I-BB-1	85 mm		LBH-9060195	192.61
		N-N-10		130 mm	LBH-9171671	216.65
Stick (5.5m Boom Low-Curved)		I-BB-1	85 mm		LBH-9060195	192.61
		N-N-10		130 mm	LBH-9171671	216.65
Stick (6.0m Ind Boom-Angled)		I-BB-1	80 mm		LBH-9172118	373.99
		N-N-10		120 mm	LBH-9172577	217.29
Stick (6.1m, 6.6m, 7.0m, 7.1m Ind Boom)		I-BB-1	80 mm		LBH-9172118	373.99
		N-N-10		120 mm	LBH-9172577	217.29
Swing		I-BB-1	60 mm		LBH-9159680	184.35
		N-N-10		120 mm	LBH-9111605	244.53
Swivel Rotary		I-BB-1	95 mm		LBH-9265132	3792.82
Loaders - Wheel						
APPLICATION	MISC:	CODE	ROD	BORE	KIT #	List \$
MODEL L506 Stereo						
Loader Lift		I-BB-1	40 mm		LBH-9063465	65.12
		N-N-10		80 mm	LBH-9061383	65.12
Loader Tilt		I-BB-1	40 mm		LBH-9063465	65.12
		N-N-10		80 mm	LBH-9061383	65.12
Steering	s/n -99998	I-BB-1	30 mm		LBH-9063423	41.16
MODEL L507 Stereo						
Loader Lift	s/n -99998	I-BB-1	40 mm		LBH-9063465	65.12
	s/n -99998	N-N-10		80 mm	LBH-9061383	65.12
Loader Tilt		I-BB-1	40 mm		LBH-9063465	65.12
		N-N-10		80 mm	LBH-9061383	65.12
Steering	s/n -99998	I-BB-1	30 mm		LBH-9063423	41.16

LIEBHERR

Replacement Kits For

Loaders - Wheel						
APPLICATION	MISC:	CODE	ROD	BORE	KIT #	List \$
MODEL L508 Stereo						
Loader Lift		I-BB-1	50 mm		LBH-9063162	135.71
Loader Tilt		I-BB-1	50 mm		LBH-9063162	135.71
Steering	s/n -99998	I-BB-1	30 mm		LBH-9063423	41.16
MODEL L509 Stereo						
Loader Lift	s/n -99998	I-BB-1	50 mm		LBH-9063162	135.71
Loader Tilt	s/n -99998	I-BB-1	50 mm		LBH-9063162	135.71
Steering	s/n -99998	I-BB-1	30 mm		LBH-9063423	41.16
MODEL L538, L538 (Z-bar)						
Loader Lift		I-BB-1	60 mm		LBH-9177617	126.34
		N-N-10		110 mm	LBH-9159131	174.18
Loader Tilt		I-BB-1	50 mm		LBH-9061030	134.90
		N-N-10		90 mm	LBH-9061380	125.50
Steering		I-BB-1	40 mm		LBH-9061381	88.07
		N-N-10		90 mm	LBH-9063712	76.68
MODEL L544						
Loader Lift		I-BB-1	80 mm		LBH-9063757	200.56
		N-N-10		130 mm	LBH-9111341	238.53
Loader Tilt		I-BB-1	80 mm		LBH-9063173	381.45
		N-N-10		150 mm	LBH-9113131	253.39
Steering		I-BB-1	40 mm		LBH-9063465	65.12
		N-N-10		80 mm	LBH-9061383	65.12
MODEL L556 2plus2, L556 2plus2 High Lift						
Loader Lift		I-BB-1	80 mm		LBH-9063757	200.56
		N-N-10		130 mm	LBH-9111341	238.53
Loader Tilt		I-BB-1	80 mm		LBH-9063173	381.45
		N-N-10		150 mm	LBH-9113131	253.39
Steering		I-BB-1	40 mm		LBH-9063465	65.12
		N-N-10		80 mm	LBH-9061383	65.12
MODEL L564						
Loader Lift		I-BB-1	80 mm		LBH-9196096	285.69
		N-N-10		150 mm	LBH-9113131	253.39
Loader Tilt		I-BB-1	90 mm		LBH-9158397	281.46
		N-N-10		170 mm	LBH-9062821	395.92
Steering		I-BB-1	40 mm		LBH-9061381	88.07
		N-N-10		90 mm	LBH-9063712	76.68
MODEL L566 2plus2, L566 2plus2 High Lift						
Loader Lift		I-BB-1	80 mm		LBH-9196096	285.69
		N-N-10		150 mm	LBH-9113131	253.39
Loader Tilt		I-BB-1	90 mm		LBH-9158397	281.46
		N-N-10		170 mm	LBH-9062821	395.92
Steering		I-BB-1	40 mm		LBH-9061381	88.07
		N-N-10		90 mm	LBH-9063712	76.68
Off-Highway Trucks						
APPLICATION	MISC:	CODE	ROD	BORE	KIT #	List \$
MODEL KL2420						
Steering	Cyl 13029-D	P-U-10	2-3/4	5-1/2	LBH-13029-C-1	99.03

LIEBHERR

LIEBHERR

Kit Number	Code (Pg. xiv)	Rod X Bore Size	List Price
LBH-13029-C-1	P-U-10	2-3/4 X 5-1/2	\$99.03
LBH-5708-876-08	N-N-15	160 mm Piston	282.60
LBH-9060195	I-SP-1	85 mm Rod Kit	192.61
LBH-9060196	I-SP-1	90 mm Rod Kit	284.06
LBH-9060197	I-BB-1	95 mm Rod Kit	237.13
LBH-9060977	N-N-10	125 mm Piston Kit	217.17
LBH-9061003	I-BB-1	105 mm Rod Kit	269.70
LBH-9061030	I-BB-1	50 mm Rod Kit	134.90
LBH-9061380	N-N-10	90 mm Piston Kit	125.50
LBH-9061381	I-BB-1	40 mm Rod Kit	88.07
LBH-9061383	N-N-10	80 mm Piston Kit	65.12
LBH-9061404	I-BB-1	60 mm Rod Kit	154.93
LBH-9061471	I-BB-1	Seal Kit	483.95
LBH-9062256	I-BB-1	70 mm Rod Kit	138.46
LBH-9062534	I-BB-1	95 mm Rod Kit	401.67
LBH-9062632	N-N-10	180 mm Piston Kit	281.27
LBH-9062821	N-N-10	170 mm Piston Kit	395.92
LBH-9062932	I-BB-1	50 mm Rod Kit	73.13
LBH-9062984	I-BB-1	140 mm Rod Kit	456.05
LBH-9062985	I-BB-1	125 mm Rod Kit	417.68
LBH-9063162	I-BB-1	50 mm Rod Kit	135.71
LBH-9063172	I-BB-1	70 mm Rod Kit	201.01
LBH-9063173	I-BB-1	80 mm Rod Kit	381.45
LBH-9063270	I-BB-1	36 mm Rod Kit	82.46
LBH-9063423	I-BB-1	30 mm Rod Kit	41.16
LBH-9063449	I-BB-1	60 mm Rod Kit	115.66
LBH-9063452	N-N-10	110 mm Piston Kit	95.92
LBH-9063464	N-N-10	70 mm Piston Kit	69.46
LBH-9063465	I-BB-1	40 mm Rod Kit	65.12
LBH-9063554	I-BB-1	50 mm Rod Kit	135.71
LBH-9063688	I-BB-1	110 mm Rod Kit	313.83
LBH-9063709	I-BB-1	85 mm Rod Kit	195.58
LBH-9063712	N-N-10	90 mm Piston Kit	76.68
LBH-9063757	I-BB-1	80 mm Rod Kit	200.56
LBH-9064091	I-BB-1	125 mm Rod Kit	333.15
LBH-9111341	N-N-10	130 mm Piston Kit	238.53
LBH-9111605	N-N-10	120 mm Piston Kit	244.53
LBH-9113131	N-N-10	150 mm Piston Kit	253.39
LBH-9113343	N-N-10	115 mm Piston Kit	179.93
LBH-9113351	N-N-10	85 mm Piston Kit	136.59
LBH-9114437	N-N-10	220 mm Piston Kit	467.00
LBH-9114673	I-BB-1	60 mm Rod Kit	116.81
LBH-9124375	N-N-10	85 mm Piston Kit	117.34
LBH-9124376	I-SP-1	50 mm Rod Kit	108.32
LBH-9144401	I-BB-1	95mm Rod Kit	711.09

Kit Number	Code (Pg. xiv)	Rod X Bore Size	List Price
LBH-9154141	N-N-10	160 mm Piston Kit	\$298.14
LBH-9154605	N-N-10	85 mm Piston Kit	136.41
LBH-9154606	I-SP-1	36 mm Rod Kit	61.88
LBH-9155154	I-BB-1	50 mm Rod Kit	210.34
LBH-9156782	N-N-10	150 mm Piston Kit	230.92
LBH-9156961	N-N-10	230 mm Piston Kit	1,254.77
LBH-9156962	I-SP-1	170 mm Rod Kit	1,213.52
LBH-9158084	I-BB-1	50 mm Rod Kit	137.22
LBH-9158144	I-SP-1	110 mm Rod Kit	562.62
LBH-9158145	I-SP-1	125 mm Rod Kit	273.00
LBH-9158175	I-BB-1	85 mm Rod Kit	191.76
LBH-9158310	I-BB-1	85 mm Rod Kit	102.69
LBH-9158311	I-BB-1	105 mm Rod Kit	294.39
LBH-9158397	I-BB-1	90 mm Rod Kit	281.46
LBH-9158674	I-SP-1	100 mm Rod Kit	385.08
LBH-9159131	N-N-10	100 mm Piston Kit	174.18
LBH-9159132	I-SP-1	70 mm Rod Kit	192.56
LBH-9159680	I-BB-1	60mm Rod Kit	184.35
LBH-9159705	N-N-10	210 mm Piston Kit	412.77
LBH-9159739	I-SP-1	150 mm Rod Kit	1,651.83
LBH-9165363	N-N-10	140 mm Piston	465.51
LBH-9165440	N-N-10	150 mm Piston	499.55
LBH-9165441	I-BB-1	100 mm	291.41
LBH-9169653	N-N-10	170 mm Piston	580.30
LBH-9169654	N-N-10	180 mm Piston	655.63
LBH-9169656	I-SP-1	110 mm Rod Kit	419.75
LBH-9170257	N-N-10	200 mm Piston	682.03
LBH-9170258	I-SP-1	110 mm Rod Kit	621.77
LBH-9170276	P-SP-1	140 mm Rod Kit	521.92
LBH-9171670	I-SP-1	80 mm Rod Kit	338.39
LBH-9171671	N-N-10	130 mm Piston Kit	216.65
LBH-9172117	I-SP-1	70 mm Rod Kit	226.80
LBH-9172118	I-SP-1	80 mm Rod Kit	373.99
LBH-9172119	I-BB-1	90mm Rod Kit	235.70
LBH-9172122	I-SP-1	70 mm Rod Kit	136.66
LBH-9172123	I-SP-1	110 mm Rod Kit	418.68
LBH-9172577	N-N-10	120 mm Piston Kit	217.29
LBH-9174142	N-N-10	100 mm Piston Kit	149.82
LBH-9174143	I-BB-1	60 mm Rod Kit	110.88
LBH-9174200	N-N-10	100 mm Piston Kit	186.13
LBH-9174519	I-SP-1	70 mm Rod Kit	147.97
LBH-9174575	I-SP-1	80 mm Rod Kit	197.67
LBH-9177617	I-BB-1	60 mm Rod Kit	126.34
LBH-9179503	N-N-10	150 mm Piston Kit	237.23
LBH-9193515	I-BB-1	70 mm Rod Kit	188.75

LIEBHERR

Kit Number	Code (Pg. xiv)	Rod X Bore Size	List Price
LBH-9196096	I-BB-1	80 mm Rod Kit	\$285.69
LBH-9265064	I-BB-1	130mm Rod Kit	1,560.15
LBH-9265132	I-BB-1	95 mm Rod Kit	3,792.82
LBH-9285577	N-N-10	135 mm Piston Kit	254.75
LBH-9285625	I-BB-1	85 mm Rod Kit	275.13

Kit Number	Code (Pg. xiv)	Rod X Bore Size	List Price
LBH-94027338	I-BB-1	125 mm Rod Kit	\$204.75
LBH-9583532	I-BB-1	70 mm Rod Kit	127.38
LBH-9596597	I-BB-1	100 mm Rod Kit	333.31

REPLACEMENT PARTS FOR LIEBHERR EQUIPMENT

NOTE: Liebherr part numbers are used as a reference only. We do not imply that these kits are original REPLACEMENT PARTS.

BACK-UP RINGS

Part Number	Min Pkg Qty	List Price
LBH-10406AN	1	\$8.89
LBH-10406BX	1	8.28

O-RINGS

Part Number	Min Pkg Qty	List Price
LBH-10406AM	1	\$9.02
LBH-10406BW	1	4.59

WIPERS

Part Number	Rod Diam.	List Price
LBH-13298-A	12	\$50.05

LIUGONG

Repair parts for Liugong are available online at www.HerculesUS.com or by contacting the Hercules Sales Team at the information provided below.

LINK BELT

Kit Number	Code (Pg. xiv)	Rod X Bore Size	List Price
LB-3J12501	I-UB-11	3-1/2 X 4-1/2	\$239.94
LB-3J16874	P-UB-11	4-1/4 X 5-1/2	416.45
LB-3J16875	P-UB-10	4 x 5-1/4	331.12
LB-3X-0082	I-U-10	1-1/2 X 2-1/2	31.29
LB-3X-0106	I-OB-3	3-1/2 X 4-1/2	28.08
LB-3X-0256	P-U-10	5-1/2 X 8	317.77
LB-3X-0264	I-U-10	1-1/8 X 3	29.71
LB-587V305	I-U14	4-1/2 X 7-1/2	386.86
LB-LQU-0008	P-UB-10	100 X 150 mm	583.26
LB-LQU-0009	P-UB-10	110 X 160 mm	636.63
LB-LQU-0010	P-UB-10	95 X 140 mm	410.79
LB-LQU-0011	P-UB-10	70 X 110 mm	391.22
LB-LQU-0012	P-UB-10	85 X 125 mm	456.41
LB-LQU-0015	P-UB-10	70 X 110 mm	354.71
LB-LQU-0017	P-UB-14	110 X 160 mm	574.08
LB-LQU-0020	P-UB-10	85 X 125 mm	439.07
LB-LQU-0021	P-UB-10	100 X 140 mm	551.14
LB-LQU-0022	P-UB-10	80 X 120 mm	470.52
LB-LQU-0028	P-UB-10	90 X 140 mm	514.07
LB-LQU-0029	P-UB-10	105 X 150 mm	590.08
LB-LQU-0030	P-UB-10	90 X 130 mm	457.09
LB-LQU-0037	P-UB-10	85 X 130 mm	429.12

REPLACEMENT PARTS FOR LINK BELT EQUIPMENT

NOTE: Link Belt part numbers are used as a reference only. We do not imply that these kits are original REPLACEMENT PARTS.

U-SEALS

Part Number	Rod Diam.	List Price
LB-47A2657	3-1/2	\$21.36

LOADMASTER

Repair parts for Loadmaster are available online at www.HerculesUS.com or by contacting the Hercules Sales Team at the information provided below.

LOG HOG

Repair parts for Log Hog are available online at www.HerculesUS.com or by contacting the Hercules Sales Team at the information provided below.

LORAIN

Kit Number	Code (Pg. xiv)	Rod X Bore Size	List Price
LOR-1103	I-N-10	4-1/4 X 6	\$68.62
LOR-1103U	I-U-10	4-1/4 X 6	94.24
LOR-1139	I-U-10	3/4 , 1-1/2 X 2-1/2	47.19
LOR-1179	I-U-10	1-1/2 X 2-1/2	25.37
LOR-1191	O-Ring Kit		13.23
LOR-201521	P-U-10	3-1/2 X 5	93.66
LOR-201778	P-U-10	4 X 6	95.93
LOR-23699	P-U-3	2 X 3-1/2	36.05
LOR-28687	I-N-10	4 X 5	50.46
LOR-28696	I-OB-10	1-1/2 X 2	15.72
LOR-80187	I-U-10	3 X 4	59.98
LOR-963A	I-U-12	7 X 8-1/8	369.27
LOR-983-C	I-U-10, 12	4-1/2 X 8-1/8	372.57

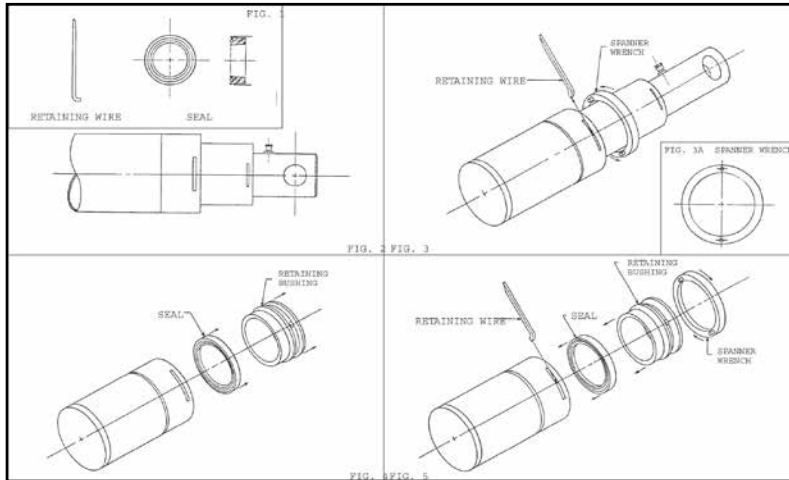
LUCKY LOADER

Repair parts for Lucky Loader are available online at www.HerculesUS.com or by contacting the Hercules Sales Team at the information provided below.

LULL

Kit Number	Code (Pg. xiv)	Rod X Bore Size	List Price
LULL-3586-34	I-U-10	1-1/8 X 3	\$40.79
LULL-P19382	I-U-10	1-1/8 X 2-1/2	23.84

MARION TELESCOPIC CYLINDERS



INSTRUCTIONS:

Remove cylinder and lie flat with sides parallel to ground. Drain oil from cylinder leaving stages slightly extended as shown in FIG. 2, exposing retaining wire slots. Using spanner wrench (FIG. 3A) or equivalent, remove retaining wire by turning retaining bushing counter-clockwise (FIG.3). After retaining wire is out, remove retaining bushing and seal, FIG. 4. Replace with seal provided in kit, FIG. 1. Retaining bushing (FIG. 5) and secure with retaining wire (FIG.1). Repeat steps for all other stages and other tubes.

MARION - MARK HI-LIFT

Part Number	Stage Size	I.D.	O.D.	Height	List Price
STAGE BEARINGS					
MARION-35120	1-7/8	1-7/8	2-1/4	1	\$19.47
MARION-35130	2-3/4	2-3/4	3-1/4	1	25.25
MARION-35140	3-3/4	3-3/4	4-1/4	1	27.80
MARION-35150	4-3/4	4-3/4	5-1/4	1	29.01
MARION-35160	5-3/4	5-3/4	6-1/4	1	30.63
WIPERS					
MARION-35731	2-3/4	2-3/4	3.114	0.12	\$3.00
MARION-35741	3-3/4	3-3/4	3.996	0.11	9.89
MARION-35751	4-3/4	4-3/4	4.996	0.11	10.27
MARION-35761	5-3/4	5-3/4	5.996	0.11	29.46
MARION-35771	6-3/4	6-3/4	6.996	0.11	11.77
PISTON BEARINGS					
MARION-35420	1-7/8	2	2-1/4	1/2	\$4.97
MARION-35430	2-3/4	3	3-1/4	1/2	5.24
MARION-35440	3-3/4	4	4-1/4	1/2	5.51
MARION-35450	4-3/4	5	5-1/4	1/2	5.64
MARION-35460	5-3/4	6	6-1/4	1/2	7.39

Part Number	Stage Size	Length	Square C/S	List Price
RETAINING WIRE				
MARION-35240	2-3/4	10-1/4	1/8	\$16.53
MARION-35250	3-3/4	13-3/8	1/8	15.57
MARION-35260	4-3/4	16-3/8	1/8	15.86
MARION-35270	5-3/4	19-1/4	1/8	18.23

COMPLETE REPAIR KITS				
Part Number	Series	Stage Sizes	List Price	
Kits contain rod seals and retaining wire for each stage				
MARION-35704	32 series	1-7/8, 2-3/4	\$57.98	
MARION-35705	42 series	2-3/4, 3-3/4	72.45	
MARION-35706	43 series	1-7/8, 2-3/4, 3-3/4	96.35	
MARION-35707	53 series	2-3/4, 3-3/4, 4-3/4	121.54	
Kits contain rod seals, wipers and retaining wire for each stage				
MARION-35708	63 series	3-3/4, 4-3/4, 5-3/4	\$181.03	
MARION-35709	64 series	2-3/4, 3-3/4, 4-3/4, 5-3/4	212.93	
MARION-35715	62 series	4-3/4, 5-3/4	137.13	
MARION-35716	52 series	3-3/4, 4-3/4	108.43	

MARK HI-LIFT

Repair parts for Mark Hi-Lift are available online at www.HerculesUS.com or by contacting the Hercules Sales Team at the information provided below.

MASSEY FERGUSON

Backhoe Loaders						
APPLICATION	CYL #	CODE	ROD	BORE	KIT #	List \$
MODEL 50H						
ARM	1605081M94	P-U-10	2	4-1/4	MF-1607730M91	278.08
BOOM	1605245M91	P-U-8	2	4-1/4	MF-1607427M91	300.11
BUCKET TILT	1605045M93	P-U-10	40 mm	2-1/2	MF-1606502M94	101.46
STABILIZER	1605174M92	P-U-10	2	3-1/2	MF-1607915M92	279.61
SWING	1605262M91	P-U-14	40 mm	75 mm	MF-3402545M91	167.66
Tractors						
APPLICATION	CYL #	CODE	ROD	BORE	KIT #	List \$
MODEL 250						
LIFT		P-U-10	40 mm	65 mm	MF-3443575M93	139.87
		P-U-10	45 mm	75 mm	MF-1606583M93	192.39

REPLACEMENT KITS FOR MASSEY FERGUSON EQUIPMENT

Kit Number	Code (Pg. xiv)	Rod X Bore Size	List Price
MF-1606487M93	I-U-10	2-1/4 x 3	\$49.79
MF-1606502M94	P-U-10	40 mm X 2-1/2"	101.46
MF-1606583M93	P-U-10	45 X 75 mm	192.39
MF-1606681M92	O-RING KIT		13.22
MF-1607427M91	P-U-8	2 X 4-1/4	300.11
MF-1607730M91	P-U-10	2 X 4-1/4	278.08
MF-1607915M92	P-U-10	2 X 3-1/2	279.61
MF-1609031M93	I-U-10	1-3/4 X 2-1/4	66.71
MF-3402545M91	P-U-14	40 X 75 mm	167.66

Kit Number	Code (Pg. xiv)	Rod X Bore Size	List Price
MF-3443575M93	P-U-10	40 X 65 mm	\$139.87
MF-3484947M93	P-U-10	35 X 65 mm	179.12
MF-3484955M92	P-U-10	50 X 70 mm	242.50
MF-3485221M93	P-U-10	40 X 75 mm	205.40
MF-3485304M92	P-U-10	35 X 70 mm	195.18
MF-3485427M92	P-U-10	45 X 80 mm	261.58
MF-704643M91	P-OB-3	1-1/4 X 2-1/2	38.28
MF-836994M91	P-U-10	2 X 4	127.69

NOTE: Massey Ferguson part numbers are used as a reference only. We do not imply that these kits are original REPLACEMENT PARTS.

O-RINGS

Part Number	Min Pkg Qty	List Price
MF-1000546M1	50	\$0.21
MF-100054M1	50	0.11
MF-10006336M1	20	0.26
MF-10013774M1	20	0.27
MF-1001464M1	20	0.75
MF-1001484M1	50	0.24
MF-1001489M1	50	0.21
MF-1001833M1	50	0.07
MF-1004637M1	20	0.30
MF-1004648M1	50	0.03
MF-1004663M1	20	0.75
MF-100543M1	20	0.60
MF-100557M1	50	0.08
MF-1006240M1	50	0.03

O-RINGS

Part Number	Min Pkg Qty	List Price
MF-1006335M1	50	\$0.24
MF-1504788M1	20	0.37
MF-1506223M1	20	0.54
MF-195522M1	10	0.97
MF-195561M1	50	0.07
MF-195562M1	50	0.08
MF-195565M1	20	0.57
MF-195630M1	20	0.48
MF-195631M1	50	0.13
MF-195791M1	50	0.13
MF-196027M1	50	0.13
MF-196030M1	50	0.11
MF-25071761M1	50	0.03
MF-359001M1	50	0.10

O-RINGS

Part Number	Min Pkg Qty	List Price
MF-359002M1	50	\$0.10
MF-359230X1	20	0.67
MF-359231X1	20	0.82
MF-359287X1	50	0.03
MF-831196M1	50	0.24
MF-831533M1	50	0.07
MF-831535M1	50	0.08
MF-831617M1	50	0.11
MF-835126M1	20	0.64
MF-835130M1	20	0.48
MF-851145M1	50	0.19
MF-851147M1	20	0.37
MF-851258M1	50	0.10
MF-852140M1	20	0.54

MCNEILUS REFUSE TRUCKS

Repair parts for McNeilus Refuse Trucks are available online at www.HerculesUS.com or by contacting the Hercules Sales Team at the information provided below.

MEYER PRODUCTS

Kit Number	Code (Pg. xiv)	Rod X Bore Size	List Price
MY-15254	P-O-6	1-1/8 X 1-3/4	\$21.64
MY-15456	P-OB-6	1-1/8 X 1-3/4	30.17

Kit Number	Code (Pg. xiv)	Rod X Bore Size	List Price
MY-15707	P-U-6	1-1/8 X 1-3/4	\$55.73
MY-7705	I-V-1	1-1/2" ROD	21.64

REPLACEMENT PARTS FOR MEYER EQUIPMENT

NOTE: Meyer part numbers are used as a reference only. We do not imply that these kits are original REPLACEMENT PARTS.

O-RINGS

Part Number	Min Pkg Qty	List Price
MY-15122	50	\$0.07
MY-15123	50	0.07
MY-15125	50	0.07
MY-15126	50	0.08
MY-15131	20	0.75
MY-15163	20	0.71
MY-15198	2	6.42
MY-15687	10	1.36
MY-15693	20	0.47
MY-15701	50	0.26

PISTON CUPS

Part Number	Bore Dia.	List Price
MY-15691	1-3/4	\$11.96

WIPERS

Part Number	Rod Dia.	List Price
MY-05119	1-1/8	\$3.37

Replacement Kits For

mitsubishi

Excavators						
APPLICATION	CYL #	CODE	ROD	BORE	KIT #	List \$
MODEL MS-110-5, MS-110L-5, MS-110D-5, MS-110S-5						
ARM	C25320004	P-UB-15	80 mm	120 mm	MIT-C75300020	354.81
	C25320005	P-UB-15	80 mm	120 mm	MIT-C75300020	354.81
BOOM	C25300104	P-UB-15	70 mm	110 mm	MIT-C75300010	327.73
BUCKET	C25340004	P-UB-15	65 mm	110 mm	MIT-C75300030	323.87
	C25340005	P-UB-15	65 mm	110 mm	MIT-C75300030	323.87
MODEL MS-120-2, MS-120S-2, MS-120SS-2						
ARM	C65320002	P-UB-14	80 mm	120 mm	MIT-C65300022	415.75
	C65320003	P-UB-14	80 mm	120 mm	MIT-C65300022	415.75
	C65320004	P-UB-14	80 mm	120 mm	MIT-C65300022	415.75
BOOM	C65300102	P-UB-14	75 mm	110 mm	MIT-C65300012	455.85
	C65300103	P-UB-14	75 mm	110 mm	MIT-C65300012	455.85
	C65300104	P-UB-14	75 mm	110 mm	MIT-C65300012	455.85
BUCKET	C65340003	P-UB-14	70 mm	110 mm	MIT-C65300032	435.91
	C65340004	P-UB-14	70 mm	110 mm	MIT-C65300032	435.91
	C65340005	P-UB-14	70 mm	110 mm	MIT-C65300032	435.91
MODEL MS-180-3, MS-180S-3, MS-180LC-3						
ARM	E35300201	P-UB-5	90 mm	130 mm	MIT-E15300023	404.37
BOOM	E35300101	P-UB-5	85 mm	125 mm	MIT-E15300013	385.28
BUCKET	E35300301	P-UB-5	75 mm	120 mm	MIT-E15300033	341.40
MODEL MS-180-8						
ARM	E75300301	P-UB-10	100 mm	140 mm	MIT-E75300010	511.71
BOOM	E75300101	P-UB-10	85 mm	125 mm	MIT-E35300040	428.74
	E75300201	P-UB-10	85 mm	125 mm	MIT-E35300040	428.74
BUCKET	E75300401	P-UB-10	85 mm	125 mm	MIT-E35300040	428.74

REPLACEMENT KITS FOR MITSUBISHI EQUIPMENT

Kit Number	Code (Pg. xiv)	Rod X Bore Size	List Price
MIT-9185415310	I-U-10	25 X 55 mm	\$49.34
MIT-94504-02080	N-N-15	100 mm	29.22
MIT-C65300012	P-UB-14	75 X 110 mm	455.85
MIT-C65300022	P-UB-14	80 X 120 mm	415.75
MIT-C65300032	P-UB-14	70 X 110 mm	435.91
MIT-C75300010	P-UB-15	70 X 110 mm	327.73
MIT-C75300020	P-UB-15	80 X 120 mm	354.81
MIT-C75300030	P-UB-15	65 X 110 mm	323.87

Kit Number	Code (Pg. xiv)	Rod X Bore Size	List Price
MIT-E15300013	P-UB-5	85 X 125 mm	\$385.28
MIT-E15300023	P-UB-5	90 X 130 mm	404.37
MIT-E15300033	P-UB-5	75 X 120 mm	341.40
MIT-E25300061	P-UB-14	90 X 140 mm	563.43
MIT-E35300040	P-UB-10	85 X 125 mm	428.74
MIT-E75300010	P-UB-10	100 X 140 mm	511.71
MIT-F15300011	P-UB-14	100 X 150 mm	386.85

REPLACEMENT PARTS FOR MITSUBISHI EQUIPMENT

NOTE: Mitsubishi part numbers are used as a reference only. We do not imply that these kits are original REPLACEMENT PARTS.

BACK-UP RINGS

Part Number	Min Pkg Qty	List Price
MIT-05568-90800	1	\$8.15
MIT-4653425	1	15.68
MIT-4653623	1	13.57
MIT-4753177	1	37.73
MIT-94153-07300	1	15.61
MIT-A04700312	1	11.49
MIT-A04700313	1	12.60
MIT-A04700314	1	7.03
MIT-A04700315	1	9.40
MIT-A04700324	1	15.68
MIT-A04700325	1	12.40
MIT-A04700416	1	11.24
MIT-E15301130	1	12.96
MIT-E15302093	1	13.61
MIT-E25310020	1	16.54
MIT-E35300217	1	13.57
MIT-E35300315	1	12.60
MIT-E35301917	1	13.87
MIT-E35302130	1	13.87
MIT-E75300317	1	41.91
MIT-E75300318	1	14.44
MIT-E85300321	1	14.04
MIT-E85300416	1	13.61
MIT-F15300921	1	15.68
MIT-F15301418	1	15.68

BACK-UP RINGS

Part Number	Rod Dia.	List Price
MIT-05566-03520	35 mm	\$5.06
MIT-A04600815	50 mm	11.65
MIT-A04600811	65 mm	14.25
MIT-A04601014	65 mm	36.00
MIT-A04600812	70 mm	15.39
MIT-A04601015	70 mm	39.30
MIT-A04601016	75 mm	41.78
MIT-E15302312	75 mm	40.77
MIT-E85300437	75 mm	37.44
MIT-A04600813	80 mm	17.12

BUFFER RINGS

Part Number	Rod Dia.	List Price
MIT-A04601017	80 mm	\$44.24
MIT-E15300372	85 mm	43.38
MIT-E85300140	85 mm	41.81
MIT-A04601024	90 mm	47.70
MIT-E85300344	95 mm	46.26
MIT-A04601025	100 mm	50.02
MIT-F15302316	100 mm	50.02
MIT-A04601018	110 mm	67.14

O-RINGS

Part Number	Min Pkg Qty	List Price
MIT-03158-08000	2	\$5.62
MIT-2153222	2	8.80
MIT-4753176	2	6.73
MIT-7953122	2	8.80
MIT-91254-06300	20	0.27
MIT-91254-09300	10	1.50
MIT-91254-13700	20	0.96
MIT-91254-15100	10	1.34
MIT-94004-00900	5	2.86
MIT-E35300316	10	0.91
MIT-F3150-04900	7	1.06
MIT-F3150-06000	5	3.98
MIT-F3150-07000	4	5.08
MIT-F3150-09000	2	5.88
MIT-F3153-04000	10	0.78
MIT-F3153-05000	10	3.76
MIT-F3157-05000	10	1.80
MIT-Z440101000	3	6.20
MIT-Z440101100	3	8.06
MIT-Z440200600	5	3.98
MIT-Z440201100	3	8.06
MIT-Z440201150	2	8.21
MIT-Z440201200	2	8.37
MIT-Z440201250	2	8.49
MIT-Z440201300	2	8.55

O-RINGS

Part Number	Min Pkg Qty	List Price
MIT-Z440201400	2	\$8.80
MIT-Z440201500	2	10.66
MIT-Z440201550	1	15.41
MIT-Z441101000	4	2.42
MIT-Z441101100	3	3.24
MIT-Z441101150	3	3.19
MIT-Z441101200	3	3.33
MIT-Z441101250	3	11.38
MIT-Z441101300	3	3.42
MIT-Z441101450	2	4.10
MIT-Z441101600	1	29.13

O-RINGS 90 DUROMETER

Part Number	Min Pkg Qty	List Price
MIT-Z440200800	3	\$5.62
MIT-Z441001150	3	3.21
MIT-Z441101050	3	3.11

PISTON SEALS

Part Number	Bore Dia.	List Price
MIT-91854-16300	55 mm	\$31.89

PISTON U-SEALS

Part Number	Bore Dia.	List Price
MIT-05565-07010	70 mm	\$27.61
MIT-A04601211	70 mm	110.72
MIT-05565-08010	80 mm	31.27
MIT-A04601213	90 mm	129.19
MIT-A04601215	110 mm	166.06
MIT-A04601311	110 mm	79.13
MIT-E85300439	115 mm	62.43
MIT-A04601216	120 mm	166.06
MIT-A04601312	120 mm	82.47
MIT-C45300229	120 mm	58.78

REPLACEMENT PARTS FOR MITSUBISHI EQUIPMENT

NOTE: Mitsubishi part numbers are used as a reference only. We do not imply that these kits are original REPLACEMENT PARTS.

PISTON U-SEALS

Part Number	Bore Dia.	List Price
MIT-E85300137	120 mm	\$62.43
MIT-E153-00386	125 mm	63.77
MIT-E35301920	125 mm	62.43
MIT-2153243	130 mm	63.77
MIT-E85300347	130 mm	64.60
MIT-4653414	140 mm	73.53
MIT-A04601314	140 mm	112.19
MIT-E75300322	140 mm	73.76
MIT-4653415	140 mm	73.53
MIT-1853063	150 mm	81.97
MIT-A04601315	150 mm	122.05
MIT-F15301123	150 mm	81.97
MIT-4653514	160 mm	88.36
MIT-A04601719	160 mm	138.62
MIT-F25340028	160 mm	88.36

ROD U-SEALS

Part Number	Rod Dia.	List Price
MIT-A04600911	45 mm	\$13.80
MIT-A04600912	50 mm	19.29
MIT-A04600914	65 mm	22.56
MIT-A04600915	70 mm	22.18
MIT-A04700415	70 mm	11.24
MIT-7953042	75 mm	29.15
MIT-A04600918	75 mm	26.98
MIT-C45300134	75 mm	11.24
MIT-E35302115	75 mm	26.51
MIT-E35302116	75 mm	11.24
MIT-1853083	80 mm	32.07
MIT-A04600917	80 mm	29.53
MIT-A04700417	80 mm	13.57
MIT-48-7953142	85 mm	33.19
MIT-7953142	85 mm	33.19
MIT-E15301215	85 mm	13.57
MIT-E35301915	85 mm	32.07
MIT-E35301916	85 mm	13.57
MIT-1853057	90 mm	30.04
MIT-1853239	90 mm	30.04
MIT-A04600925	90 mm	34.13
MIT-A04700423	90 mm	13.57
MIT-E15301116	90 mm	13.57
MIT-E85300317	95 mm	36.02

ROD U-SEALS

Part Number	Rod Dia.	List Price
MIT-E85300318	95 mm	\$13.57
MIT-1853136	100 mm	39.04
MIT-A04600926	100 mm	27.29
MIT-A04700424	100 mm	15.79
MIT-94319-02400	112 mm	41.99

U-SEALS

Part Number	Rod Dia.	List Price
MIT-91854-06500	25 mm	\$3.51

WEAR RINGS

Part Number	O.D. X Width	List Price
MIT-E85300345	100 X 9.7 mm	\$29.85
MIT-A04903612	110 X 6 mm	26.10
MIT-A04901911	110 X 30 mm	31.93
MIT-E85300420	115 X 6 mm	26.10
MIT-E85300440	115 X 7.9 mm	12.50
MIT-A04901912	120 X 6 mm	28.39
MIT-A04903613	120 X 7.9 mm	26.10
MIT-E85300136	120 X 8 mm	13.46
MIT-E85300120	120 X 30 mm	49.59
MIT-E35301921	125 X 8 mm	49.59
MIT-E85300326	130 X 7.9 mm	14.97
MIT-E85300438	130 X 8 mm	49.59
MIT-A04901915	140 X 8 mm	56.02
MIT-A04903616	140 X 8 mm	49.59
MIT-E75300323	140 X 40 mm	49.59
MIT-A04901916	150 X 8 mm	54.43
MIT-A04903617	150 X 40 mm	49.59

WIPERS

Part Number	Rod Dia.	List Price
MIT-91854-06400	25 mm	\$3.60
MIT-05566-13030	30 mm	17.92
MIT-05566-13530	35 mm	18.91
MIT-64374-79200	40 mm	24.15
MIT-A04500811	45 mm	26.57
MIT-A04500812	50 mm	26.91
MIT-A04501417	65 mm	34.75
MIT-A04500914	65 mm	36.81
MIT-A04500815	70 mm	39.51
MIT-A04500822	70 mm	39.51
MIT-A04501418	70 mm	37.30
MIT-A04500915	70 mm	39.51
MIT-C45300148	75 mm	40.10
MIT-E35300325	75 mm	40.10
MIT-A04500918	75 mm	42.47
MIT-1853252	80 mm	11.77
MIT-A04500817	80 mm	50.10
MIT-A04501420	80 mm	47.29
MIT-A04500917	80 mm	50.10
MIT-E15300392	85 mm	53.67
MIT-E35300127	85 mm	53.67
MIT-E353-00127	85 mm	53.67
MIT-1853094	90 mm	58.02
MIT-A04501422	90 mm	58.02
MIT-F25340118	90 mm	58.02
MIT-E85300320	95 mm	59.34
MIT-1853143	100 mm	60.92
MIT-A04501423	100 mm	60.92
MIT-F15302319	100 mm	24.34
MIT-F25340058	100 mm	60.92
MIT-A04903618	110 mm	62.41

MITSUBISHI LIFT TRUCKS

Kit Number	Code (Pg. xiv)	Rod X Bore Size	List Price
MIT-91254-10330	P-U-10	22 X 45mm	\$61.54
MIT-91254-30330	P-U-10	22 X 45mm	54.24
MIT-91255-11120	I-U-10	22.4 X 45 mm	54.76
MIT-91273-30150	Valve Kit		7.79
MIT-91273-30220	Valve Kit		7.59
MIT-91854-15310	I-U-10	25 X 55 mm	49.34
MIT-91854-40230	P-U-10	25 X 55 mm	63.75
MIT-91872-22120	Valve Kit		11.32
MIT-93051-00028	I-U-4	2 in X 75 mm	157.97
MIT-93051-10068	I-U-4	40 X 50 mm	66.91
MIT-94004-00120	P-UB-1	30 mm Rod Kit	50.39
MIT-94004-00130	N-N-15	63 mm Piston Kit	75.23
MIT-94104-00110	N-N-13	70 mm Piston Kit	94.23
MIT-94104-00120	P-UB-1	35 mm Rod Kit for 70 mm Bore	52.88
MIT-94104-00170	I-U-10	30 X 63 mm	68.29
MIT-94114-00110	I-U-4	50 X 70 mm	109.63
MIT-94114-00210	I-U-4	60 X 70 mm	61.52
MIT-94119-00018	I-U-1	70 mm Rod Kit	60.33
MIT-94119-00048	I-U-1	50 mm Rod Kit	28.53
MIT-94119-00068	P-U-1	32 mm Rod Kit	52.17
MIT-94119-00088	P-U-1	32 mm	55.47
MIT-94133-00018	I-N-4	40 X 50 mm	86.54
MIT-94151-00018	P-U-1	70 mm Rod Kit	64.06
MIT-94151-00028	P-U-1	70 mm Rod Kit	68.96
MIT-94162-00018	P-U-4	35 X 45 mm	59.15
MIT-94204-10120	I-U-10	35 X 70 mm	33.25
MIT-94219-00018	P-U-1	35 mm Rod Kit	21.70
MIT-94219-00028	P-U-1	35 mm Rod Kit	35.10
MIT-94251-00018	I-U-1	75 mm Rod Kit	60.74
MIT-94251-00038	P-U-1	75 mm Rod Kit	83.61
MIT-94251-00058	P-U-1	75 mm Rod Kit	65.17
MIT-94262-00028	P-U-4	40 X 50 mm	112.65
MIT-94304-00110	N-N-13	80 mm Piston Kit	104.62
MIT-94304-00120	P-UB-1	35 mm Rod Kit for 80 mm Bore	59.61
MIT-94304-10140	I-U-10	35 X 80 mm	50.05
MIT-94314-00110	I-U-1	65 X 80 mm	61.63
MIT-94319-00018	I-U-1	60 mm Rod Kit	32.98
MIT-94319-00038	I-U-1	85 mm Rod Kit	57.59
MIT-94319-00068	P-U-1	40 mm Rod Kit	23.19
MIT-94319-00088	I-U-1	40 mm Rod Kit	73.91

MITSUBISHI LIFT TRUCKS

Kit Number	Code (Pg. xiv)	Rod X Bore Size	List Price
MIT-94351-00018	I-U-1	80 mm Rod Kit	\$43.92
MIT-94351-00028	P-U-1	45 X 55 mm	130.98
MIT-94351-00038	P-U-1	85 mm Rod Kit	88.29
MIT-94351-00068	P-U-1	85 mm Rod Kit	83.44
MIT-94362-00018	P-U-1	45 X 55 mm	130.98
MIT-94404-00120	P-UB-3	45 X 90 mm	79.02
MIT-94404-10140	I-U-10	40 X 80 mm	118.17
MIT-94404-10160	I-U-10	40 X 90 mm	98.32
MIT-94504-02090	P-U-1	40 X 100 mm	65.54

MOFFETT

Kit Number	Code (Pg. xiv)	Rod X Bore Size	List Price
MOFT-270021	I-V-15	40 X 75 mm	\$77.38
MOFT-270078	I-V-15	1-3/4 X 90 mm	75.43
MOFT-270711	I-U-15	1 X 2	30.80
MOFT-519-023-0000	I-U-15	25 X 50 mm	56.99

MONARCH ROAD MACHINERY

Kit Number	Code (Pg. xiv)	Rod X Bore Size	List Price
MRM-5117	I-V-1	1-1/2" ROD	\$20.40
MRM-5127	I-V-1	2" ROD	26.42
MRM-5137	I-V-1	2-1/2" ROD	30.69
MRM-5147	I-V-1	3" ROD	36.29
MRM-5157	I-V-1	3-1/2" ROD	46.29
MRM-5385	I-V-7	1-1/2 X 3	57.85
MRM-637405	P-OB-3	1-1/4 X 4	25.78

MORBARK

Kit Number	Code (Pg. xiv)	Rod X Bore Size	List Price
MB25180-210	I-U-5	2 X 4	\$68.56
MB26815-053	P-U-10	1-1/4 X 2-1/2	41.41
MB26815-054	I-U-10	1-1/2 X 3	31.98
MB26815-059	I-U-10	2-1/2 X 5	55.22
MB26815-060	I-U-10	2-1/2 X 5-1/2	68.28
MB26815-061-M	I-U-10	2 X 4	56.70
MB26815-071	I-U-10	3 X 6	110.25
MB26815-071-A	I-U-10	3 X 6	101.77

Replacement Kits For

NEW HOLLAND

Backhoe Loaders								
APPLICATION	CYL #	SERIAL #	Misc	CODE	ROD	BORE	KIT #	List \$
MODEL 555E								
LOADER BUCKET	85800500	1/96 -		P-UB-10	40 mm	80 mm	NH-85804740	71.71
LOADER LIFT	85800100	1/96 -		P-UB-10	50 mm	90 mm	NH-85802567	85.50
STABILIZER	85800600	1/96 -		P-UB-10	56 mm	100 mm	NH-85802571	65.05
SWING	85800300	1/96 -		P-UB-10	50 mm	110 mm	NH-85802570	98.74
	85800355	1/96 -		P-UB-10	2	110 mm	NH-87428631	97.12
MODEL B95								
BACKHOE BUCKET	87315527	1/06 -	Gland & Piston Not Included	P-UB-10	2-1/2	90 mm	NH-87428629	80.43
BACKHOE CROWD	87315531	1/06-2/13/08		P-UB-10	2-1/2	4-1/2	NH-87428632	115.03
	87315531	2/13/08 -		P-UB-10	2-1/2	4-1/2	NH-87633295	141.43
BACKHOE LIFT	87315532	1/06 -		P-UB-10	2-1/2	130 mm	NH-87428633	152.07
	87315535		Telescopic Dipper	P-UB-10,12	2-1/2	135 mm	NH-87428634	259.26
LOADER BUCKET	87315521	1/06 -		P-UB-10	1-5/8	80 mm	NH-87428627	53.30
	87573861	1/06 -		I-U-15	45 mm	80 mm	NH-87573868	82.33
LOADER LIFT	87315525	1/06 -		P-UB-10	2	90 mm	NH-87428628	85.78
STABILIZER	87315528	1/06 -	Center Pivot	P-UB-14	2-1/4	4	NH-84209920	111.20
STEERING	85805978			I-U-10	38 mm	63 mm	NH-85805990	83.32
SWING	87315529	1/06 -		P-UB-10	2	110 mm	NH-87428631	97.12
TELESCOPIC DIPPER - LONG	87315519			P-UB-10	2	2-3/4	NH-87428620	50.80
	87327259			P-UB-10	1-3/4	3	NH-87342131	53.11
TELESCOPIC DIPPER - SHORT	85800860			P-UB-10	2	2-3/4	NH-87428620	50.80
	87315517			P-UB-10	2	2-3/4	NH-87428620	50.80
	87327261	-031057763		P-UB-10	1-3/4	3	NH-87342131	53.11
	87327264	031057764-		P-UB-10	1-3/4	3	NH-87342131	53.11
MODEL B95B - TIER 3 (11/10-)								
BACKHOE BUCKET (4.42M ARM)	87499150			P-UB-10	2-1/2	3-1/2	NH-1542923C2	87.25
BOOM (4.42M ARM)	87487863			P-UB-10,12	2-1/2	5	NH-84154166	93.93
LOADER BUCKET	87315521			P-UB-10	1-5/8	80 mm	NH-87428627	53.30
LOADER BUCKET (4X1-6X1)	87573861			I-U-15	45 mm	80 mm	NH-87573868	82.33
LOADER LIFT	87315525			P-UB-10	2	90 mm	NH-87428628	85.78
STABILIZER (CENTER PIVOT)	84209918			P-UB-14	2-1/4	4	NH-84209920	111.20
SWING	87315529			P-UB-10	2	110 mm	NH-87428631	97.12
TELESCOPIC ARM (4.42M)	87327264			P-UB-10	1-3/4	3	NH-87342131	53.11
MODEL B95B - TIER 3 (2008)								
BACKHOE BUCKET	87382007	-N8GH22682		P-UB-10	2-1/2	3-1/2	NH-1542923C2	87.25
	87499150	N8GH22683-		P-UB-10	2-1/2	3-1/2	NH-1542923C2	87.25
BOOM	87487863			P-UB-10,12	2-1/2	5	NH-84154166	93.93
BOOM (TELESCOPIC ARM)	87499560	N8GH22725-	AFTER 3/2/2009	P-UB-10,12	2-1/2	5-1/4	NH-84155594	136.34
	87597583	-N8GH22724	BEFORE 3/2/2009	P-UB-10,12	2-1/2	5-1/4	NH-87654843	126.64
DITCHING (ARM)	87382083		BEFORE 10/3/2008	P-UB-10	2-1/2	4-3/4	NH-87654844	75.36
	87382083		AFTER 10/3/2008	P-UB-10	2-1/2	4-3/4	NH-84155586	77.37
	87594954			P-UB-10	2-1/2	5	NH-84154167	74.59
LOADER BUCKET	87315521			P-UB-10	1-5/8	80 mm	NH-87428627	53.30
	87573861			I-U-15	45 mm	80 mm	NH-87573868	82.33
LOADER LIFT	87315525			P-UB-10	2	90 mm	NH-87428628	85.78
STABILIZER	84209918	NAHH00547-		P-UB-14	2-1/4	4	NH-84209920	111.20

NEW HOLLAND

Replacement Kits For

NEW HOLLAND

Backhoe Loaders								
APPLICATION	CYL #	SERIAL #	Misc	CODE	ROD	BORE	KIT #	List \$
MODEL B95B - TIER 3 (2008)								
STABILIZER	87315528	-NAHH00547		P-UB-14	2-1/4	4	NH-84155591	111.20
SWING	874315529			P-UB-10	2	110 mm	NH-87428631	97.12
TELESCOPIC ARM (LONG)	87327259			P-UB-10	1-3/4	3	NH-87342131	53.11
TELESCOPIC ARM (SHORT)	87327264			P-UB-10	1-3/4	3	NH-87342131	53.11
MODEL B95C								
BOOM	47905408			I-UB-10	65 mm	130 mm	NH-47568720	109.15
	84562645			P-UB-10,12	2-1/2	5	NH-84154166	93.93
	84562647			P-UB-10,12	2-1/2	5-1/4	NH-84155594	136.34
BUCKET	47605011			I-UB-10	65 mm	90 mm	NH-47568736	131.57
	47714749			I-U-15	45 mm	80 mm	NH-87573868	82.33
	87499150			P-UB-10	2-1/2	3-1/2	NH-1542923C2	87.25
DIPPER	47401825			P-UB-10	2-1/2	4-3/4	NH-84155586	77.37
	47401832			P-UB-10	2-1/2	5	NH-84154167	74.59
	47905409; 47905410			P-U-10	45 mm	75 mm	NH-47917961	72.95
	47972139			I-UB-10	65 mm	90 mm	NH-47568736	131.57
	87327264; 87327259			P-UB-10	1-3/4	3	NH-87342131	53.11
LOADER LIFT	87315525			P-UB-10	2	90 mm	NH-87428628	85.78
LOADER TILT	87315521			P-UB-10	1-5/8	80 mm	NH-87428627	53.30
STABILIZER	84209918			P-UB-14	2-1/4	4	NH-84209920	111.20
STEERING (2WD; 4WD Short Oscillation)	84264406			I-U-10	40 mm	70 mm	NH-84331720	151.57
STEERING (4WD)	84264405			I-U-10	36 mm	63 mm	NH-84330972	87.40
SWING	47699351; 87315529			P-UB-10	2	110 mm	NH-87445307-NP	85.53
MODEL LB75								
BACKHOE CROWD	85800940	9/00 -		P-UB-10	63 mm	4-1/2	NH-85819350	213.72
	87410343	9/00 -		P-UB-10	2-1/2	4-1/2	NH-87633295	141.43
	87410343	9/00-2/3/08		P-UB-10	2-1/2	4-1/2	NH-87428632	115.03
BACKHOE LIFT	87410346	9/00 -		P-UB-10	2-1/2	130 mm	NH-87428633	152.07
BUCKET	85800560	9/00 -		P-UB-10	1-5/8	80 mm	NH-87428627	53.30
	85800911	9/00 -		P-UB-10	2-1/2	90 mm	NH-87428629	80.43
LIFT	85800160	9/00 -		P-UB-10	2	90 mm	NH-87428628	85.78
	85800250	9/00 -		P-UB-10	2-1/2	130 mm	NH-87428633	152.07
	85800260	9/00 -		P-UB-10	2-1/2	130 mm	NH-87428633	152.07
LOADER BUCKET	85800500	6/99-8/00		P-UB-10	40 mm	80 mm	NH-85804740	71.71
	87410327	9/00 -		P-UB-10	1-5/8	80 mm	NH-87428627	53.30
	9968163	6/99-8/00		P-U-15	1-1/2	2-3/4	NH-9968164	33.40
LOADER LIFT	85800100	6/99-8/00		P-UB-10	50 mm	90 mm	NH-85802567	85.50
	87410330	9/00 -		P-UB-10	2	90 mm	NH-87428628	85.78
ROTATION PLATE	85800300	6/99-8/00		P-UB-10	50 mm	110 mm	NH-85802570	98.74
STABILIZER	85800660	9/00 -		P-UB-10	50 mm	110 mm	NH-85819356	53.53
	E7NNB580BB	6/99-8/00		P-UB-10	2	2-3/4	NH-87428620	50.80
SWING	85800355	6/99-8/00		P-UB-10	2	110 mm	NH-87428631	97.12
	85800360	9/00 -		P-UB-10	50 mm	110 mm	NH-85802570	98.74
	85800360	9/00 -		P-UB-10	2	110 mm	NH-87428631	97.12
	85800365	9/00 -		P-UB-10	2	110 mm	NH-87428631	97.12
	85824430	9/00 -		P-UB-10	2	110 mm	NH-87428631	97.12
MODEL LB75B								
BACKHOE ARM (DITCHING)	85800940	031044851-		P-UB-10	63 mm	4-1/2	NH-85819350	213.72
	87410343	031044851-		P-UB-10	2-1/2	4-1/2	NH-87633295	141.43
	87439682	031044851-		P-UB-10	63 mm	4-1/2	NH-85819350	213.72

NEW HOLLAND

Replacement Kits For

NEW HOLLAND

Backhoe Loaders								
APPLICATION	CYL #	SERIAL #	Misc	CODE	ROD	BORE	KIT #	List \$
MODEL LB75B								
BACKHOE BUCKET	87410333	031044851-		P-UB-10	2-1/2	90 mm	NH-87428629	80.43
BACKHOE LIFT	85800260	031044851-		P-UB-10	2-1/2	130 mm	NH-87428633	152.07
	87410346	031044851-		P-UB-10	2-1/2	130 mm	NH-87428633	152.07
LOADER BUCKET	85800560	031044851-		P-UB-10	1-5/8	80 mm	NH-87428627	53.30
	85820005	031044851-		I-U-15	45 mm	80 mm	NH-85824250	82.33
	87410327	031044851-		P-UB-10	1-5/8	80 mm	NH-87428627	53.30
LOADER LIFT	85800160	031044851-		P-UB-10	2	90 mm	NH-87428628	85.78
	87410330	031044851-		P-UB-10	2	90 mm	NH-87428628	85.78
STABILIZER	87410336	031044851-		P-UB-14	2-1/4	4	NH-84209920	111.20
STABILIZER (CENTER PIVOT)	85800660	031044851-		P-UB-10	50 mm	110 mm	NH-85819356	53.53
STEERING	85805978	031044851-		I-U-10	38 mm	63 mm	NH-85805990	83.32
SWING	85824430	-031053254		P-UB-10	2	110 mm	NH-87428631	97.12
	87450926	031053255-		P-UB-10	2	110 mm	NH-87428631	97.12
MODEL LB90								
ARM (DITCHING)	85800940			P-UB-10	63 mm	4-1/2	NH-85819350	213.72
	87410343		BEFORE 2/3/08	P-UB-10	2-1/2	4-1/2	NH-87428632	115.03
	87410343		AFTER 2/3/08	P-UB-10	2-1/2	4-1/2	NH-87633295	141.43
BACKHOE BUCKET	85800911			P-UB-10	2-1/2	90 mm	NH-85819358	80.43
BOOM	85800250		NOT PAINTED	P-UB-10,12	2-1/2	130 mm	NH-85819299	152.07
	85800260			P-UB-10,12	2-1/2	130 mm	NH-85819299	152.07
	87410346			P-UB-10	2-1/2	130 mm	NH-87428633	152.07
LOADER BUCKET	85800560			P-UB-10	1-5/8	80 mm	NH-85819355	53.30
	87410327			P-UB-10	1-5/8	80 mm	NH-87428627	53.30
LOADER LIFT	85800160			P-UB-10	2	90 mm	NH-85819352	85.78
	87410330			P-UB-10	2	90 mm	NH-87428628	85.78
STABILIZER (CENTER PIVOT)	85800660			P-UB-10	50 mm	110 mm	NH-85819356	53.53
	87410336			P-UB-14	2-1/4	4	NH-84155591	111.20
STABILIZER (SIDE SHIFT)	85800922			P-UB-10	2	2-3/4	NH-85819351	50.80
	87410324			P-UB-10	2	2-3/4	NH-87428620	50.80
SWING	85800360		BEFORE DATE CODE 0A26A2	P-UB-10	50 mm	110 mm	NH-85802570	98.74
	85800360		AFTER DATE CODE 0A26A2	P-UB-10	2	110 mm	NH-85819353	97.12
	85800365			P-UB-10	2	110 mm	NH-85819353	97.12
	85824430			P-UB-10	2	110 mm	NH-85819353	97.12
TELESCOPIC DIPPER - SHORT	85800860			P-UB-10	2	2-3/4	NH-85819357	50.80
	87411476			P-UB-10	2	2-3/4	NH-87428620	50.80
MODEL LB90B								
ARM (DITCHING)	85800940	031044887-		P-UB-10	63 mm	4-1/2	NH-85819350	213.72
	87410343	031044887-	AFTER 2/3/08	P-UB-10	2-1/2	4-1/2	NH-87633295	141.43
	87410343	031044887-	BEFORE 2/3/08	P-UB-10	2-1/2	4-1/2	NH-87428632	115.03
	87439682	031044887-		P-UB-10	63 mm	4-1/2	NH-85819350	213.72
BACKHOE BUCKET	87410333	031044887-		P-UB-10	2-1/2	90 mm	NH-87428629	80.43
BOOM	85800260	031044887-		P-UB-10,12	2-1/2	130 mm	NH-85819299	152.07
	87410346	031044887-		P-UB-10	2-1/2	130 mm	NH-87428633	152.07
LOADER BUCKET	85800560	031044887-		P-UB-10	1-5/8	80 mm	NH-85819355	53.30
	87410327	031044887-		P-UB-10	1-5/8	80 mm	NH-87428627	53.30
LOADER LIFT	85800160	031044887-		P-UB-10	2	90 mm	NH-85819352	85.78
	87410330	031044887-		P-UB-10	2	90 mm	NH-87428628	85.78
STABILIZER	85800660	031044887-		P-UB-10	50 mm	110 mm	NH-85819356	53.53
	87410336	031044887-		P-UB-14	2-1/4	4	NH-84155591	111.20
SWING	85824430	-031053254		P-UB-10	2	110 mm	NH-85819353	97.12

NEW HOLLAND

Replacement Kits For

NEW HOLLAND

Backhoe Loaders								
APPLICATION	CYL #	SERIAL #	Misc	CODE	ROD	BORE	KIT #	List \$
MODEL LB90B								
SWING	87450926	031053255-		P-UB-10	2	110 mm	NH-87428631	97.12
TELESCOPIC DIPPER - SHORT	85800860	031044887-		P-UB-10	2	2-3/4	NH-85819357	50.80
	87411476	031044887-		P-UB-10	2	2-3/4	NH-87428620	50.80
MODEL LB110								
BACKHOE BOOM	85800830	09/00-		P-UB-10	2-1/2	135 mm	NH-85819232	367.54
	85800830	09/00-		P-UB-10,12	2-1/2	135 mm	NH-87428634	259.26
	87410321	09/00-		P-UB-10,12	2-1/2	135 mm	NH-87428634	259.26
BACKHOE BUCKET	85800911	09/00-		P-UB-10	2-1/2	90 mm	NH-87428629	80.43
BUCKET	85800911	09/00-		P-UB-10	2-1/2	90 mm	NH-87428629	80.43
BUCKET TILT	85800560	09/00-		P-UB-10	1-5/8	80 mm	NH-87428627	53.30
	87410327	09/00-		P-UB-10	1-5/8	80 mm	NH-87428627	53.30
CLAM 4X1-6X1	85820005	09/00-		I-U-15	45 mm	80 mm	NH-85824250	82.33
DIPPER	85800940	09/00-		P-UB-10	63 mm	4-1/2	NH-85819350	213.72
	87410343	09/00-	02/03/2008-	P-UB-10	2-1/2	4-1/2	NH-87633295	141.43
	87410343	09/00-	-02/03/2008	P-UB-10	2-1/2	4-1/2	NH-87428632	115.03
DIPPER EXTENSION	85800760	09/00-		P-UB-10	2	2-3/4	NH-87428620	50.80
	87411473	09/00-		P-UB-10	2	2-3/4	NH-87428620	50.80
LIFT	85800160	09/00-		P-UB-10	2	90 mm	NH-87428628	85.78
	87410330	09/00-		P-UB-10	2	90 mm	NH-87428628	85.78
LIFT CYL	85800160	09/00-		P-UB-10	2	90 mm	NH-87428628	85.78
	87410330	09/00-		P-UB-10	2	90 mm	NH-87428628	85.78
SLEW STAKED	85824430	31044515-		P-UB-10	2	110 mm	NH-87428631	97.12
SLEW THREADED	85800365	31024291-31044		P-UB-10	2	110 mm	NH-87428631	97.12
SLEW WELDED	85800360	-31024290	-0A26A2	P-UB-10	50 mm	110 mm	NH-85802570	98.74
	85800360	-31024290	0A26A2-	P-UB-10	2	110 mm	NH-87428631	97.12
STABILISER, CENTRE PIVOT	85800660	09/00-		P-UB-10	50 mm	110 mm	NH-85819356	53.53
	87410336	09/00-		P-UB-14	2-1/4	4	NH-84209920	111.20
STABILISER, SIDESHIFT	85800922	09/00-		P-UB-10	2	2-3/4	NH-87428620	50.80
	87410324	09/00-		P-UB-10	2	2-3/4	NH-87428620	50.80
STABILIZERS	85800660	09/00-		P-UB-10	50 mm	110 mm	NH-85819356	53.53
	85800922	09/00-		P-UB-10	2	2-3/4	NH-87428620	50.80
	87410324	09/00-		P-UB-10	2	2-3/4	NH-87428620	50.80
	87410336	09/00-		P-UB-14	2-1/4	4	NH-84209920	111.20
STEERING	85805978	09/00-		I-U-10	38 mm	63 mm	NH-85805990	83.32
SWING (STAKED)	85824430	31044515-		P-UB-10	2	110 mm	NH-87428631	97.12
SWING (THREADED)	85800365	31024291-31044		P-UB-10	2	110 mm	NH-87428631	97.12
SWING (WELDED)	85800360	-31024290	0A26A2-	P-UB-10	2	110 mm	NH-87428631	97.12
	85800360	-31024290	-0A26A2	P-UB-10	50 mm	110 mm	NH-85802570	98.74
TILT	85800560	09/00-		P-UB-10	1-5/8	80 mm	NH-87428627	53.30
	87410327	09/00-		P-UB-10	1-5/8	80 mm	NH-87428627	53.30
MODEL LB110B								
BACKHOE BOOM	85800830	031044996-		P-UB-10	2-1/2	135 mm	NH-85819232	367.54
	85800830	31044793	LONG REACH	P-UB-10	2	90 mm	NH-87428628	85.78
	87410321	031044996-		P-UB-10,12	2-1/2	135 mm	NH-87428634	259.26
	87410321	31044793	LONG REACH	P-UB-10,12	2-1/2	135 mm	NH-87428634	259.26
BACKHOE BUCKET	87315527	01/05-		P-UB-10	2-1/2	90 mm	NH-87428629	80.43
	87410333	031044996-		P-UB-10	2-1/2	90 mm	NH-87428629	80.43
BOOM LIFT	87315535	01/05-		P-UB-10,12	2-1/2	135 mm	NH-87428634	259.26
BUCKET	87410333	31044793		P-UB-10	2-1/2	90 mm	NH-87428629	80.43
BUCKET 4X1-6X1	85820005	31044793		I-U-15	45 mm	80 mm	NH-85824250	82.33
CLAM SHELL	85820005	031044996-		I-U-15	45 mm	80 mm	NH-85824250	82.33
	87573861	01/05-		I-U-15	45 mm	80 mm	NH-87573868	82.33
DIPPER	85800940	031044996-		P-UB-10	63 mm	4-1/2	NH-85819350	213.72

NEW HOLLAND

Replacement Kits For

NEW HOLLAND

Backhoe Loaders								
APPLICATION	CYL #	SERIAL #	Misc	CODE	ROD	BORE	KIT #	List \$
MODEL LB110B								
DIPPER	85800940	31044793		P-UB-10	63 mm	4-1/2	NH-85819350	213.72
	87315531	01/05-	02/13/2008-	P-UB-10	2-1/2	4-1/2	NH-87633295	141.43
	87315531	01/05-	-02/13/2008	P-UB-10	2-1/2	4-1/2	NH-87428632	115.03
	87410343	031044996-	02/03/2008-	P-UB-10	2-1/2	4-1/2	NH-87633295	141.43
	87410343	031044996-	-02/03/2008	P-UB-10	2-1/2	4-1/2	NH-87428632	115.03
	87410343	31044793	02/03/2008-	P-UB-10	2-1/2	4-1/2	NH-87633295	141.43
	87410343	31044793	-02/03/2008	P-UB-10	2-1/2	4-1/2	NH-87428632	115.03
	87439682	031044996-		P-UB-10	63 mm	4-1/2	NH-85819350	213.72
	87439682	31044793		P-UB-10	63 mm	4-1/2	NH-85819350	213.72
	DIPPER EXTENSION	85800760	031044996-		P-UB-10	2	2-3/4	NH-87428620
85800760		31044793	LONG REACH	P-UB-10	2	2-3/4	NH-87428620	50.80
87315519		01/05-		P-UB-10	2	2-3/4	NH-87428620	50.80
87327259		01/05-		P-UB-10	1-3/4	3	NH-87342131	53.11
87411473		031044996-		P-UB-10	2	2-3/4	NH-87428620	50.80
87411473		31044793	LONG REACH	P-UB-10	2	2-3/4	NH-87428620	50.80
LIFT		85800160	031044996-		P-UB-10	2	90 mm	NH-87428628
	85800160	31044793	-04/03	P-UB-10	2	90 mm	NH-87428628	85.78
	87315525	01/05-		P-UB-10	2	90 mm	NH-87428628	85.78
	87410330	031044996-		P-UB-10	2	90 mm	NH-87428628	85.78
	87410330	31044793		P-UB-10	2	90 mm	NH-87428628	85.78
SLEW	85824430	-031053254		P-UB-10	2	110 mm	NH-87428631	97.12
	87450926	031053255-		P-UB-10	2	110 mm	NH-87428631	97.12
STABILIZER	85800660	031044996-		P-UB-10	50 mm	110 mm	NH-85819356	53.53
	85800922	031044996-		P-UB-10	2	2-3/4	NH-87428620	50.80
	87410336	031044996-		P-UB-14	2-1/4	4	NH-84209920	111.20
STABILIZER CENTRE PIVOT	87315528	01/05-		P-UB-14	2-1/4	4	NH-84209920	111.20
STABILIZER SIDE SHIFT	87315514	01/05-		P-UB-10	2	2-3/4	NH-87428620	50.80
	87574186	N7GH08034-		P-UB-10	2	2-3/4	NH-87608671	57.02
STABILIZERS	85800660	31044793	Centre Pivot	P-UB-10	50 mm	110 mm	NH-85819356	53.53
	85800922	31044793	Side Shift	P-UB-14	2-1/4	4	NH-84209920	111.20
	87410324	31044793	Side Shift	P-UB-10	2	2-3/4	NH-87428620	50.80
	87410336	31044793	Centre Pivot	P-UB-14	2-1/4	4	NH-84209920	111.20
SWING	85824430	-31053254	-31053254	P-UB-10	2	110 mm	NH-87428631	97.12
	87315529	01/05-		P-UB-10	2	110 mm	NH-87428631	97.12
	87450926	31053255-	31053255-	P-UB-10	2	110 mm	NH-87428631	97.12
TILT	85800560	031044996-		P-UB-10	1-5/8	80 mm	NH-87428627	53.30
	85800560	31044793		P-UB-10	1-5/8	80 mm	NH-87428627	53.30
	87315521	01/05-		P-UB-10	1-5/8	80 mm	NH-87428627	53.30
	87410327	031044996-		P-UB-10	1-5/8	80 mm	NH-87428627	53.30
	87410327	31044793		P-UB-10	1-5/8	80 mm	NH-87428627	53.30
Excavators - Compact								
APPLICATION	CYL #	SERIAL #	Misc	CODE	ROD	BORE	KIT #	List \$
MODEL C232								
BOOM (LH)	84340476			P-UB-10,12	1-3/4	2-1/2	NH-84480921	55.10
BOOM (RH)	84340475			P-UB-10,12	1-3/4	2-1/2	NH-84480921	55.10
BUCKET	47364444			I-UB-10	1-1/2	3	NH-47364492	34.69
	84290565			P-UB-10	1-1/2	3	NH-84480948	38.53
COUPLER	87442337			I-U-11	3/4	1-1/2	NH-86518284	25.34
MODEL C238								
BOOM (LH)	47416040			I-UB-10	1-3/4	2-3/4	NH-47416073	99.86
	84527650			P-UB-10,12	2	2-3/4	NH-84530079	57.54
BOOM (RH)	47416042			I-UB-10	1-3/4	2-3/4	NH-47416073	99.86
	84527652			P-UB-10,12	2	2-3/4	NH-84530079	57.54

NEW HOLLAND

Replacement Kits For

NEW HOLLAND

NEW HOLLAND

Excavators - Compact								
APPLICATION	CYL #	SERIAL #	Misc	CODE	ROD	BORE	KIT #	List \$
MODEL C238								
BUCKET	47364444			I-UB-10	1-1/2	3	NH-47364492	34.69
	84290565			P-UB-10	1-1/2	3	NH-84480948	38.53
COUPLER	87442337			I-U-11	3/4	1-1/2	NH-86518284	25.34
MODEL E35B SR								
ARM	87571804	03/11-	BSN NBLN00650	P-U-10	45 mm	75 mm	NH-72280241	91.67
	PW01V00070F2	03/11-	ASN NBLN00651	P-U-10	45 mm	75 mm	NH-72280241	91.67
BOOM	8756635	03/11-	BSN NBLN00650	P-U-10	45 mm	80 mm	NH-72280454	86.89
	PW01V00068F1	03/11-	ASN NBLN00651	P-U-10	45 mm	80 mm	NH-72280454	86.89
	PW01V00071F1	03/11-	BSN NBLN00650/AS N NBLN00651	P-U-10	45 mm	80 mm	NH-72280454	86.89
BUCKET	87573317	03/11-	BSN NBLN00650	P-U-10	40 mm	65 mm	NH-72280251	95.54
	PX01V00064F1	03/11-		P-U-10	40 mm	65 mm	NH-72280251	95.54
DOZER	72286391	03/11-		P-U-10	50 mm	100 mm	NH-72280261	92.70
SWING	72286392	03/11-		P-U-10	45 mm	80 mm	NH-72280268	103.45
MODEL E35SR								
BOOM				P-U-10	50 mm	85 mm	NH- PX01V00030R300	126.13
BUCKET				P-U-10	35 mm	65 mm	NH- PW01V00046R300	88.68
DIPPER				P-U-10	45 mm	80 mm	NH- PW01V00048R300	78.81
SWING				P-U-10	45 mm	80 mm	NH- PW01V00043R300	86.89
MODEL E50B SR								
ARM	87345186	03/11-	BSN NBLN00652	P-U-10	50 mm	90 mm	NH-84365141	258.99
	PY01V00042F3	03/11-	ASN NBLN00653	P-U-10	50 mm	90 mm	NH-84365141	258.99
BOOM	84537235	03/11-	ASN NBLB00653	P-U-10	55 mm	100 mm	NH- PY01V00043R400	119.58
	87579029	03/11-	BSN NBLB00653	P-U-10	55 mm	100 mm	NH- PY01V00043R400	119.58
	87579037	03/11-	BSN NBLB00652	P-U-10	55 mm	100 mm	NH- PY01V00043R400	119.58
	PY01V00043F2	03/11-	ASN NBLB00653	P-U-10	55 mm	100 mm	NH- PY01V00043R400	119.58
BUCKET	87742171	03/11-	BSN NBLN00653	P-U-10	45 mm	75 mm	NH- PY01V00047R400	114.64
	PY01V00047F2	03/11-	BSN NBLN00652	P-U-10	45 mm	75 mm	NH- PY01V00047R400	114.64
DOZER	72284279	03/11-		P-U-10	45 mm	75 mm	NH-72284189	118.38
SWING	72283413	03/11-		P-U-10	50 mm	90 mm	NH-84365143	258.99
Loaders - Skid Steer								
APPLICATION	CYL #	SERIAL #	Misc	CODE	ROD	BORE	KIT #	List \$
MODEL C175								
BOOM	87442336	N7M4666429-		P-U-11	3/4	1-1/2	NH-86627859	17.97
	87459207	N7M467969-	EUROPE	P-U-11	1-3/8	2-1/2	NH-86570922	43.59
	87675772	N7M4666429-		P-U-11	1-3/8	2-1/2	NH-86570922	43.59
	87675772	N7M467969-	EUROPE	P-U-11	1-3/8	2-1/2	NH-86570922	43.59
BOOM LH	87736740	N7M4666429-		P-UB-10	1-3/8	2-1/2	NH-87644127	57.91
	87736740	N7M467969-	EUROPE	P-UB-10	1-3/8	2-1/2	NH-87644127	57.91
BOOM RH	87736741	N7M4666429-		P-UB-10	1-3/8	2-1/2	NH-87644127	57.91
	87736741	N7M467969-	EUROPE	P-UB-10	1-3/8	2-1/2	NH-87644127	57.91

Replacement Kits For

NEW HOLLAND

Loaders - Skid Steer								
APPLICATION	CYL #	SERIAL #	Misc	CODE	ROD	BORE	KIT #	List \$
MODEL C175								
BUCKET	87038978	N7M4666429-		P-U-11	1-1/4	2-1/4	NH-86570919	55.43
	87038978	N7M467969-	EUROPE	P-U-11	1-1/4	2-1/4	NH-86570919	55.43
MOUNTING PLATE	87442336	N7M4666429-		P-U-11	3/4	1-1/2	NH-86627859	17.97
	87442336	N7M467969-	EUROPE	P-U-11	3/4	1-1/2	NH-86627859	17.97
MODEL C185								
BOOM	87038980	N8M472597-	EUROPE	P-U-11	1-1/2	2-1/2	NH-86570933	78.55
BOOM LH	87701859			P-UB-10	1-1/2	2-1/2	NH-87644128	67.01
BOOM RH	87701858			P-UB-10	1-1/2	2-1/2	NH-87644128	67.01
BUCKET	87038982	-N8M469897		P-U-11	1-1/4	2-1/2	NH-86570931	92.89
MOUNTING PLATE	87442336			P-U-11	3/4	1-1/2	NH-86627859	17.97
MODEL C190								
BOOM	87038985			P-U-11	1-3/4	2-3/4	NH-86536101	48.31
BOOM LH	87701861			P-UB-10	1-3/4	2-3/4	NH-87644129	47.70
BOOM RH	87701860			P-UB-10	1-3/4	2-3/4	NH-87644129	47.70
BUCKET	87038986			P-U-11	1-1/4	2-1/2	NH-86537054	111.45
MOUNTING PLATE	87442336			P-U-11	3/4	1-1/2	NH-86627859	17.97
MODEL L150								
BOOM	87038975	-N7M461810	EUROPE	P-U-11	1-3/8	2-1/2	NH-86570922	43.59
	87038975	-N7M466067		P-U-11	1-3/8	2-1/2	NH-86570922	43.59
	87038975	-N7M466068		P-U-11	1-3/8	2-1/2	NH-86570922	43.59
BOOM LH	87701855	-N7M461810	EUROPE	P-UB-10	1-3/8	2-1/2	NH-87644127	57.91
	87701855	-N7M466067		P-UB-10	1-3/8	2-1/2	NH-87644127	57.91
	87701855	-N7M466068		P-UB-10	1-3/8	2-1/2	NH-87644127	57.91
BOOM RH	87697439	-N7M461810	EUROPE	P-UB-10	1-3/8	2-1/2	NH-87644127	57.91
	87697439	-N7M466067		P-UB-10	1-3/8	2-1/2	NH-87644127	57.91
	87697439	-N7M466068		P-UB-10	1-3/8	2-1/2	NH-87644127	57.91
BUCKET	86631753	-N7M461810	EUROPE	P-U-11	1-1/8	1-7/8	NH-86570916	34.56
	86631753	-N7M466068		P-U-11	1-1/8	1-7/8	NH-86570916	34.56
	87038971	-N7M461810	EUROPE	P-U-11	1-1/8	1-7/8	NH-86570916	34.56
	87038971	-N7M466067		P-U-11	1-1/8	1-7/8	NH-86570916	34.56
	87038971	-N7M466068		P-U-11	1-1/8	1-7/8	NH-86570916	34.56
MODEL L160								
BOOM	86633432	-N7M448359		P-U-11	1-3/8	2-1/2	NH-86570922	43.59
	86633432	N7M448360-		P-U-11	1-3/8	2-1/2	NH-86570922	43.59
	87038977	-N7M448359		P-U-11	1-3/8	2-1/2	NH-86570922	43.59
	87038977	N7M448360-		P-U-11	1-3/8	2-1/2	NH-86570922	43.59
	87701856	-N7M448359		P-UB-10	1-3/8	2-1/2	NH-87644127	57.91
	87701856	N7M448360-		P-UB-10	1-3/8	2-1/2	NH-87644127	57.91
	87701857	-N7M448359		P-UB-10	1-3/8	2-1/2	NH-87644127	57.91
	87701857	N7M448360-		P-UB-10	1-3/8	2-1/2	NH-87644127	57.91
BUCKET	86633433	-N7M448359		P-U-11	1-1/4	2-1/4	NH-86570919	55.43
	87038978	-N7M448359		P-U-11	1-1/4	2-1/4	NH-86570919	55.43
	87038978	N7M448360-		P-U-11	1-1/4	2-1/4	NH-86570919	55.43
MOUNTING PLATE	87442336	-N7M448359		P-U-11	3/4	1-1/2	NH-86627859	17.97
	87442336	N7M448360-		P-U-11	3/4	1-1/2	NH-86627859	17.97
MODEL L170								
BOOM	86633432	- N7M456356		P-U-11	1-3/8	2-1/2	NH-86570922	43.59
	86633432	N7M456357 -		P-U-11	1-3/8	2-1/2	NH-86570922	43.59
	86633432	N7M468800 -	Europe	P-U-11	1-3/8	2-1/2	NH-86570922	43.59
	87038977	- N7M456356		P-U-11	1-3/8	2-1/2	NH-86570922	43.59
	87038977	N7M456357 -		P-U-11	1-3/8	2-1/2	NH-86570922	43.59
	87038977	N7M468800 -	Europe	P-U-11	1-3/8	2-1/2	NH-86570922	43.59
BOOM LH	87701857	- N7M456356		P-UB-10	1-3/8	2-1/2	NH-87644127	57.91
	87701857	N7M456357 -		P-UB-10	1-3/8	2-1/2	NH-87644127	57.91
	87701857	N7M468800 -	Europe	P-UB-10	1-3/8	2-1/2	NH-87644127	57.91

NEW HOLLAND

Replacement Kits For

NEW HOLLAND

Loaders - Skid Steer									
APPLICATION	CYL #	SERIAL #	Misc	CODE	ROD	BORE	KIT #	List \$	
MODEL L170									
BOOM RH	87701856	- N7M456356		P-UB-10	1-3/8	2-1/2	NH-87644127	57.91	
	87701856	N7M456357 -		P-UB-10	1-3/8	2-1/2	NH-87644127	57.91	
	87701856	N7M468800 -	Europe	P-UB-10	1-3/8	2-1/2	NH-87644127	57.91	
BUCKET	86633433	- N7M456356		P-U-11	1-1/4	2-1/4	NH-86570919	55.43	
	87038978	- N7M456356		P-U-11	1-1/4	2-1/4	NH-86570919	55.43	
	87038978	N7M456357 -		P-U-11	1-1/4	2-1/4	NH-86570919	55.43	
	87038978	N7M468800 -	Europe	P-U-11	1-1/4	2-1/4	NH-86570919	55.43	
MODEL L175									
BOOM	87459207	N7M470553-		P-U-11	1-3/8	2-1/2	NH-86570922	43.59	
	87459207	N7M470572-		P-U-11	1-3/8	2-1/2	NH-86570922	43.59	
	87460855	N7M470553-		P-U-11	1-3/8	2-1/2	NH-86570922	43.59	
	87460855	N7M470572-		P-U-11	1-3/8	2-1/2	NH-86570922	43.59	
	87675772	N7M470553-		P-U-11	1-3/8	2-1/2	NH-86570922	43.59	
	87675772	N7M470572-		P-U-11	1-3/8	2-1/2	NH-86570922	43.59	
	87736740	N7M470553-		P-UB-10	1-3/8	2-1/2	NH-87644127	57.91	
	87736740	N7M470572-		P-UB-10	1-3/8	2-1/2	NH-87644127	57.91	
	87736741	N7M470553-		P-UB-10	1-3/8	2-1/2	NH-87644127	57.91	
	87736741	N7M470572-		P-UB-10	1-3/8	2-1/2	NH-87644127	57.91	
	87736754	N7M470553-		P-UB-10	1-3/8	2-1/2	NH-87644127	57.91	
	BUCKET	87038978	N7M470553-		P-U-11	1-1/4	2-1/4	NH-86570919	55.43
		87038978	N7M470572-		P-U-11	1-1/4	2-1/4	NH-86570919	55.43
MOUNTING PLATE	87442336	-N7M468034		P-U-11	3/4	1-1/2	NH-86627859	17.97	
	87442336	N7M470553-		P-U-11	3/4	1-1/2	NH-86627859	17.97	
	87442336	N7M470572-		P-U-11	3/4	1-1/2	NH-86627859	17.97	
MODEL L180									
BOOM	87038980	- N8M464425		P-U-11	1-1/2	2-1/2	NH-86570933	78.55	
	87038980	N8M421368 -	Europe	P-U-11	1-1/2	2-1/2	NH-86570933	78.55	
	87038980	N8M464426 -		P-U-11	1-1/2	2-1/2	NH-86570933	78.55	
BOOM LH	87701859	- N8M464425		P-UB-10	1-1/2	2-1/2	NH-87644128	67.01	
	87701859	N8M421368 -	Europe	P-UB-10	1-1/2	2-1/2	NH-87644128	67.01	
	87701859	N8M464426 -		P-UB-10	1-1/2	2-1/2	NH-87644128	67.01	
BOOM RH	87701858	- N8M464425		P-UB-10	1-1/2	2-1/2	NH-87644128	67.01	
	87701858	N8M421368 -	Europe	P-UB-10	1-1/2	2-1/2	NH-87644128	67.01	
	87701858	N8M464426 -		P-UB-10	1-1/2	2-1/2	NH-87644128	67.01	
BUCKET	87038982	- N8M464425		P-U-11	1-1/4	2-1/2	NH-86570931	92.89	
	87038982	N8M421368 -	Europe	P-U-11	1-1/4	2-1/2	NH-86570931	92.89	
	87038982	N8M464426 -		P-U-11	1-1/4	2-1/2	NH-86570931	92.89	
MODEL L185									
BOOM	87038980	- N8M465246		P-U-11	1-1/2	2-1/2	NH-86570933	78.55	
	87038980	N8M465247 -		P-U-11	1-1/2	2-1/2	NH-86570933	78.55	
	87038980	N8M467462 -	Europe	P-U-11	1-1/2	2-1/2	NH-86570933	78.55	
BOOM LH	87701859	- N8M465246		P-UB-10	1-1/2	2-1/2	NH-87644128	67.01	
	87701859	N8M465247 -		P-UB-10	1-1/2	2-1/2	NH-87644128	67.01	
	87701859	N8M467462 -	Europe	P-UB-10	1-1/2	2-1/2	NH-87644128	67.01	
BOOM RH	87701858	- N8M465246		P-UB-10	1-1/2	2-1/2	NH-87644128	67.01	
	87701858	N8M465247 -		P-UB-10	1-1/2	2-1/2	NH-87644128	67.01	
	87701858	N8M467462 -	Europe	P-UB-10	1-1/2	2-1/2	NH-87644128	67.01	
BUCKET	87038982	- N8M465246		P-U-11	1-1/4	2-1/2	NH-86570931	92.89	
MODEL L190									
BOOM	87038985	- N7M459486		P-U-11	1-3/4	2-3/4	NH-86536101	48.31	
	87038985	N7M459487 -		P-U-11	1-3/4	2-3/4	NH-86536101	48.31	
BOOM LH	87701861	- N7M459486		P-UB-10	1-3/4	2-3/4	NH-87644129	47.70	
	87701861	N7M459487 -		P-UB-10	1-3/4	2-3/4	NH-87644129	47.70	
BOOM RH	87701860	- N7M459486		P-UB-10	1-3/4	2-3/4	NH-87644129	47.70	
	87701860	N7M459487 -		P-UB-10	1-3/4	2-3/4	NH-87644129	47.70	

NEW HOLLAND

Replacement Kits For

NEW HOLLAND

Loaders - Skid Steer								
APPLICATION	CYL #	SERIAL #	Misc	CODE	ROD	BORE	KIT #	List \$
MODEL L190								
BUCKET	87038986	- N7M459486		P-U-11	1-1/4	2-1/2	NH-86537054	111.45
	87038986	N7M459487 -		P-U-11	1-1/4	2-1/2	NH-86537054	111.45
MODEL L218								
BUCKET	47364448; 84290575			I-UB-10	1-3/4	2-1/2	NH-47364494	89.43
COUPLER	87442337			I-U-11	3/4	1-1/2	NH-86518284	25.34
LIFT (LH)	84358580			P-UB-10	1-3/8	2-1/4	NH-84480928	76.03
LIFT (RH)	84372033			P-UB-10	1-3/8	2-1/4	NH-84480928	76.03
MODEL L220								
BUCKET	47364446			I-UB-10	1-3/8	2-1/2	NH-47364493	90.62
COUPLER	87442337			I-U-11	3/4	1-1/2	NH-86518284	25.34
LIFT (LH)	84543463			P-UB-10,12	1-3/4	2-1/2	NH-84480921	55.10
LIFT (RH)	84543464			P-UB-10,12	1-3/4	2-1/2	NH-84480921	55.10
MODEL L223								
BOOM (LH)	84340476			P-UB-10,12	1-3/4	2-1/2	NH-84480921	55.10
BOOM (RH)	84340475			P-UB-10,12	1-3/4	2-1/2	NH-84480921	55.10
BUCKET	47364444			I-UB-10	1-1/2	3	NH-47364492	34.69
	84290565			P-UB-10	1-1/2	3	NH-84480948	38.53
COUPLER	87442337			I-U-11	3/4	1-1/2	NH-86518284	25.34
MODEL L225								
BOOM	84527650; 47416040			P-UB-10,12	2	2-3/4	NH-84530079	57.54
BOOM (LH)	84340476			P-UB-10,12	1-3/4	2-1/2	NH-84480921	55.10
BOOM (RH)	84340475			P-UB-10,12	1-3/4	2-1/2	NH-84480921	55.10
BUCKET	47364444			I-UB-10	1-1/2	3	NH-47364492	34.69
	614098			P-U-10	7/8	1-3/4	NH-272769	90.80
	84290565			P-UB-10	1-1/2	3	NH-84480948	38.53
COUPLER	87442337			I-U-11	3/4	1-1/2	NH-86518284	25.34
MODEL L228								
BUCKET	47364444			I-UB-10	1-1/2	3	NH-47364492	34.69
LIFT (LH)	47416040			I-UB-10	1-3/4	2-3/4	NH-47416073	99.86
LIFT (RH)	47416042			I-UB-10	1-3/4	2-3/4	NH-47416073	99.86
MODEL L230								
BUCKET	47364444			I-UB-10	1-1/2	3	NH-47364492	34.69
	84290565			P-UB-10	1-1/2	3	NH-84480948	38.53
COUPLER	87442337			I-U-11	3/4	1-1/2	NH-86518284	25.34
LIFT (LH)	47416040			I-UB-10	1-3/4	2-3/4	NH-47416073	99.86
	84527650			P-UB-10,12	2	2-3/4	NH-84530079	57.54
LIFT (RH)	47416042			I-UB-10	1-3/4	2-3/4	NH-47416073	99.86
	84527652			P-UB-10,12	2	2-3/4	NH-84530079	57.54
MODEL L454, L455								
BOOM	593204			I-U-10	1-1/4	1-1/2	NH-9610763	24.99
BUCKET	593390			P-U-10	1-1/2	3	NH-9610764	69.60
MODEL L553, L555								
BOOM	592567			I-U-10	1-1/2	1-7/8	NH-782679	49.73
BUCKET	593558			P-U-10	1-1/2	3	NH-9610764	69.60
MODEL L565, LX565, LX665								
BOOM (New)	86528677			P-U-10	1-3/8	2-1/2	NH-86527694	44.92
BOOM (Old)	9622429			P-U-10	1-3/8	2-1/2	NH-9801209	77.04
BUCKET (New)	86528678			P-U-11	1-1/4	2-1/4	NH-86570919	55.43
BUCKET (Old)	9622430			P-U-11	1-1/4	2-1/4	NH-86570919	55.43
GRAPPLE	9847007			P-U-10	1	1-1/2	NH-9600405	64.05
MODEL L781, L783, L785								
BOOM	86509051			I-U-10	1-1/2	2	NH-771707	54.00
BUCKET	771699			P-U-10	1-1/8	2-1/4	NH-771700	70.90
	86509051			P-U-10	1-1/8	2-1/4	NH-86509056	29.46

NEW HOLLAND

Replacement Kits For

NEW HOLLAND

Loaders - Skid Steer								
APPLICATION	CYL #	SERIAL #	Misc	CODE	ROD	BORE	KIT #	List \$
MODEL L781, L783, L785								
SELF LEVELING	264205			P-U-10	1-1/8	2-1/4	NH-219505	55.48
MODEL L865, LX865, L885, LX885								
BOOM	86528680			P-U-11	1-1/2	2-1/2	NH-86570933	78.55
	9845805			P-U-10	1-3/8	2-1/2	NH-9801209	77.04
BUCKET	86528679			P-U-10	1-1/4	2-1/2	NH-9843717	48.69
MODEL LS140								
BOOM	86590821	9/99 -		P-U-11	1-1/4	2-1/4	NH-86570919	55.43
	87038973	9/99 -		P-U-11	1-1/4	2-1/4	NH-86570919	55.43
BUCKET	86631753	9/99 -		P-U-11	1-1/8	1-7/8	NH-86570916	34.56
	87038971	9/99 -		P-U-11	1-1/8	1-7/8	NH-86570916	34.56
MODEL LS150								
BOOM	86590848	9/99 -		P-U-11	1-3/8	2-1/2	NH-86570922	43.59
	87038975	9/99 -		P-U-11	1-3/8	2-1/2	NH-86570922	43.59
BUCKET	86631753	9/99 -		P-U-11	1-1/8	1-7/8	NH-86570916	34.56
	87038971	9/99 -		P-U-11	1-1/8	1-7/8	NH-86570916	34.56
MODEL LS160								
BOOM	86633432	9/99 -		P-U-11	1-3/8	2-1/2	NH-86570922	43.59
	87038977	9/99 -		P-U-11	1-3/8	2-1/2	NH-86570922	43.59
BUCKET	86633433	9/99 -		P-U-11	1-1/4	2-1/4	NH-86570919	55.43
	87038978	9/99 -		P-U-11	1-1/4	2-1/4	NH-86570919	55.43
MODEL LS170								
BOOM	86633432	9/99 -		P-U-11	1-3/8	2-1/2	NH-86570922	43.59
	87038977	9/99 -		P-U-11	1-3/8	2-1/2	NH-86570922	43.59
BUCKET	86633433	9/99 -		P-U-11	1-1/4	2-1/4	NH-86570919	55.43
	87038978	9/99 -		P-U-11	1-1/4	2-1/4	NH-86570919	55.43
MODEL LS180								
BOOM	86590828	9/99 -		P-U-11	1-1/2	2-1/2	NH-86570933	78.55
BUCKET	86590829	9/99 -		P-U-11	1-1/4	2-1/2	NH-86570931	92.89
MODEL LS180B								
BOOM	87038980	3/05 -		P-U-11	1-1/2	2-1/2	NH-86570933	78.55
BOOM LH	87701859	3/05 -		P-UB-10	1-1/2	2-1/2	NH-87644128	67.01
BOOM RH	87701858	3/05 -		P-UB-10	1-1/2	2-1/2	NH-87644128	67.01
BUCKET	87038982	3/05 -		P-U-11	1-1/4	2-1/2	NH-86570931	92.89
MODEL LS185B								
BOOM	87038980			P-U-11	1-1/2	2-1/2	NH-86570933	78.55
BOOM LH	87701859			P-UB-10	1-1/2	2-1/2	NH-87644128	67.01
BOOM RH	87701858			P-UB-10	1-1/2	2-1/2	NH-87644128	67.01
BUCKET	87038982			P-U-11	1-1/4	2-1/2	NH-86570931	92.89
MODEL LS190								
BOOM	86836659	9/99 -		P-U-11	1-3/4	2-3/4	NH-86536101	48.31
BUCKET	86537048	9/99 -		P-U-11	1-1/4	2-1/2	NH-86537054	111.45
MODEL LS190B								
BOOM	87038985			P-U-11	1-3/4	2-3/4	NH-86536101	48.31
BOOM LH	87701861			P-UB-10	1-3/4	2-3/4	NH-87644129	47.70
BOOM RH	87701860			P-UB-10	1-3/4	2-3/4	NH-87644129	47.70
BUCKET	87038986			P-U-11	1-1/4	2-1/2	NH-86537054	111.45
MODEL LX565								
BOOM	86528677	1/94-9/99		P-U-11	1-3/8	2-1/2	NH-86570922	43.59
	9622429	1/94-9/99		P-U-11	1-3/8	2-1/2	NH-86518276	80.09
BUCKET	86633433	1/94-9/99		P-U-11	1-1/4	2-1/4	NH-86570919	55.43
	9622430	1/94-9/99		P-U-11	1-1/4	2-1/4	NH-86570919	55.43
MODEL LX665								
BOOM	86528677	1/94-9/99		P-U-11	1-3/8	2-1/2	NH-86570922	43.59
	9622429	1/94-9/99		P-U-11	1-3/8	2-1/2	NH-86518276	80.09
BUCKET	86633433	1/94-9/99		P-U-11	1-1/4	2-1/4	NH-86570919	55.43
	9622430	1/94-9/99		P-U-11	1-1/4	2-1/4	NH-86570919	55.43

NEW HOLLAND

Replacement Kits For

NEW HOLLAND

Loaders - Skid Steer								
APPLICATION	CYL #	SERIAL #	Misc	CODE	ROD	BORE	KIT #	List \$
MODEL LX865								
BOOM	86528680	11/94-9/99		P-U-11	1-1/2	2-1/2	NH-86570933	78.55
	86590828	11/94-9/99		P-U-11	1-1/2	2-1/2	NH-86570933	78.55
	9845805	11/94-9/99		P-U-11	1-3/8	2-1/2	NH-86518276	80.09
BUCKET	86570930	11/94-9/99		P-U-11	1-1/4	2-1/2	NH-86570931	92.89
	86590829	11/94-9/99		P-U-11	1-1/4	2-1/2	NH-86570931	92.89
MODEL LX885								
BOOM	86528680	11/94-9/99		P-U-11	1-1/2	2-1/2	NH-86570933	78.55
	86590828	11/94-9/99		P-U-11	1-1/2	2-1/2	NH-86570933	78.55
	9845805	11/94-9/99		P-U-11	1-3/8	2-1/2	NH-86518276	80.09
BUCKET	86570930	11/94-9/99		P-U-11	1-1/4	2-1/2	NH-86570931	92.89
	86590829	11/94-9/99		P-U-11	1-1/4	2-1/2	NH-86570931	92.89

REPLACEMENT PARTS FOR NEW HOLLAND - UNITIZED PISTONS

NOTE: New Holland part numbers are used as a reference only. We do not imply that these kits are original REPLACEMENT PARTS.

Part Number	Bore Diameter	Hole Diameter	Piston Width	List Price	Part Number	Bore Diameter	Hole Diameter	Piston Width	List Price
NH-81875232	110 mm	30.25	45.09	\$189.49	NH-85800982	100 mm	30.78	41.28	\$256.58
NH-83962807	80 mm	24.26	29.08	156.13	NH-85800983	115 mm	33.76	40.31	226.49
NH-85800981	90 mm	24.26	29.08	173.48	NH-87432513	80 mm	24.26	29.08	156.13

REPLACEMENT KITS FOR NEW HOLLAND EQUIPMENT

NEW HOLLAND

Kit Number	Code (Pg. xiv)	Rod X Bore Size	List Price
NH-1542875C1	N-UB-1	1-3/4	\$24.20
NH-1542923C2	P-UB-10	2-1/2 X 3-1/2	87.25
NH-219505	P-U-10	1-1/8 X 2-1/4	55.48
NH-272769	P-U-10	7/8 X 1-3/4	90.80
NH-47364492	I-UB-10	1-1/2 X 3	34.69
NH-47364493	I-UB-10	1-3/8 X 2-1/2	90.62
NH-47364494	I-UB-10	1-3/8 X 2-1/2	89.43
NH-47416073	I-UB-10	1-3/4 X 2-3/4	99.86
NH-47568720	I-UB-10	65 X 130 mm	109.15
NH-47568736	I-UB-10	65 X 90 mm	131.57
NH-47917960	I-UB-10	65 X 125 mm	235.37
NH-47917961	P-U-10	45 X 75 mm	72.95
NH-72280241	P-U-10	45 X 75 mm	91.67
NH-72280251	P-U-10	40 X 65 mm	95.54
NH-72280261	P-U-10	50 X 100 mm	92.70
NH-72280268	P-U-10	45 X 80 mm	103.45
NH-72280454	P-U-10	45 X 80 mm	86.89
NH-72283999	P-U-10	50 X 90 mm	139.00
NH-72284189	P-U-10	45 X 75 mm	118.38
NH-771700	P-U-10	1-1/8 X 2-1/4	70.90
NH-771707	I-U-10	1-1/2 X 2	54.00
NH-782679	I-U-10	1-1/2 X 1-7/8	49.73
NH-83962835	I-U-10	1 X 50 mm	47.61
NH-84154166	P-UB-10,12	2-1/2 X 5	93.93
NH-84154167	P-UB-10	2-1/2 X 5	74.59
NH-84155586	P-UB-10	2-1/2 X 4-3/4	77.37
NH-84155591	P-UB-14	2-1/4 X 4	111.20
NH-84155594	P-UB-10,12	2-1/2 X 5-1/4	136.34
NH-84209920	P-UB-14	2-1/4 X 4	111.20
NH-84330972	I-U-10	36 X 63 mm	87.40
NH-84331720	I-U-10	40 X 70 mm	151.57
NH-84365141	P-U-10	50 X 90 mm	258.99
NH-84365143	P-U-10	50 X 90 mm	258.99
NH-84480921	P-UB-10,12	1-3/4 X 2-1/2	55.10
NH-84480928	P-UB-10	1-3/8 X 2-1/4	76.03
NH-84480948	P-UB-10	1-1/2 X 3	38.53
NH-84530079	P-UB-10,12	2 X 2-3/4	57.54
NH-85802567	P-UB-10	50 X 90 mm	85.50
NH-85802570	P-UB-10	50 X 110 mm	98.74
NH-85802571	P-UB-10	56 X 100 mm	65.05
NH-85804740	P-UB-10	40 X 80 mm	71.71
NH-85805990	I-U-10	38 X 63 mm	83.32
NH-85819232	P-UB-10	2-1/2 X 135 mm	367.54
NH-85819299	P-UB-10	2-1/2 X 130 mm	152.07
NH-85819350	P-UB-10	63 X 4-1/2	213.72
NH-85819351	P-UB-10	2 X 2-3/4	50.80
NH-85819352	P-UB-10	2 X 90 mm	85.78
NH-85819353	P-UB-10	2 X 110 mm	97.12
NH-85819355	P-UB-10	1-5/8 X 80 mm	53.30
NH-85819356	P-UB-10	50 X 110 mm	53.53

Kit Number	Code (Pg. xiv)	Rod X Bore Size	List Price
NH-85819357	P-UB-10	2 X 2-3/4	\$50.80
NH-85819358	P-UB-10	2-1/2 X 90 mm	80.43
NH-85824250	I-U-15	45 X 80 mm	82.33
NH-86509056	P-U-10	1-1/8 X 2-1/4	29.46
NH-86518276	P-U-11	1-3/8 X 2-1/2	80.09
NH-86518284	I-U-11	3/4 X 1-1/2	25.34
NH-86527694	P-U-10	1-3/8 X 2-1/2	44.92
NH-86536101	P-U-11	1-3/4 X 2-3/4	48.31
NH-86537054	P-U-11	1-1/4 X 2-1/2	111.45
NH-86570916	P-U-11	1-1/8 X 1-7/8	34.56
NH-86570919	P-U-11	1-1/4 x 2-1/4	55.43
NH-86570922	P-U-11	1-3/8 X 2-1/2	43.59
NH-86570931	P-U-11	1-1/4 X 2-1/2	92.89
NH-86570933	P-U-11	1-1/2 X 2-1/2	78.55
NH-86627859	P-U-11	3/4 X 1-1/2	17.97
NH-86627859	P-U-11	3/4 X 1-1/2	17.97
NH-87312900	P-UB-10	2-1/2 X 5	106.40
NH-87342131	P-UB-10	1-3/4 X 3	53.11
NH-87414975	N-UB-1	2-1/4" Rod Kit	21.17
NH-87428620	P-UB-10	2 X 2-3/4	50.80
NH-87428627	P-UB-10	1-5/8 X 80 mm	53.30
NH-87428628	P-UB-10	2 X 90 mm	85.78
NH-87428629	P-UB-10	2-1/2 X 90 mm	80.43
NH-87428630	P-UB-2	2-1/4 X 4	61.19
NH-87428631	P-UB-10	2 X 110 mm	97.12
NH-87428632	P-UB-10	2-1/2 X 4-1/2	115.03
NH-87428633	P-UB-10	2-1/2 X 130 mm	152.07
NH-87428634	P-UB-10,12	2-1/2 X 135 mm	259.26
NH-87428866	P-UB-10	2 X 2-3/4	46.46
NH-87428869	P-UB-10	2-1/2 X 90 mm	83.61
NH-87428872	I,P-UB-10,12	2-1/2 X 4-1/2	120.91
NH-87428874	P-UB-10	2-1/2 X 135 mm	212.89
NH-87432407	P-UB-10	2 X 3-1/2	60.55
NH-87432412	P-UB-10	1-3/4 X 3-1/4	62.94
NH-87432515	P-UB-10	2 X 80 mm	55.32
NH-87445307-NP	P-UB-10	2 X 110 mm	85.53
NH-87529742	P-UB-10	4 X 6-1/2	153.60
NH-87573868	I-U-15	45 X 80 mm	82.33
NH-87608671	P-UB-10	2 X 2-3/4	57.02
NH-87633295	P-UB-10	2-1/2 X 4-1/2	141.43
NH-87644127	P-UB-10	1-3/8 X 2-1/2	57.91
NH-87644128	P-UB-10	1-1/2 X 2-1/2	67.01
NH-87644129	P-UB-10	1-3/4 X 2-3/4	47.70
NH-87651309	P-UB-10	2 X 3-3/4	71.12
NH-87653283	P-UB-10	2 X 3	46.71
NH-87654843	P-UB-10,12	2-1/2 X 5-1/4	126.64
NH-87654844	P-UB-10	2-1/2 X 4-3/4	75.36
NH-9600405	P-U-10	1 X 1-1/2	64.05
NH-9610763	I-U-10	1-1/4 X 1-1/2	24.99
NH-9610764	P-U-10	1-1/2 X 3	69.60

REPLACEMENT KITS FOR NEW HOLLAND EQUIPMENT

Kit Number	Code (Pg. xiv)	Rod X Bore Size	List Price
NH-9801209	P-U-10	1-3/8 X 2-1/2	\$77.04
NH-9843717	P-U-10	1-1/4 X 2-1/2	48.69
NH-9968164	P-U-15	1-1/2 X 2-3/4	33.40
NH-C5NN3N713A	Seal Kit	Seal Kit	64.09
NH-EHPN3A540AA	P-U-1	20mm Rod Kit	65.34
NH-PW01V00043R300	P-U-10	45 X 80 mm	86.89
NH-PW01V00046R300	P-U-10	35 X 65 mm	88.68

Kit Number	Code (Pg. xiv)	Rod X Bore Size	List Price
NH-PW01V00048R300	P-U-10	45 X 80 mm	\$78.81
NH-PX01V00030R300	P-U-10	50 X 85 mm	126.13
NH-PX01V00033R300	P-U-10	45 X 90 mm	112.12
NH-PX01V00045R300	P-U-10	45 X 80 mm	86.89
NH-PY01V00043R400	P-U-10	55 X 100 mm	119.58
NH-PY01V00047R400	P-U-10	45 X 75 mm	114.64

REPLACEMENT PARTS FOR NEW HOLLAND EQUIPMENT

NOTE: New Holland part numbers are used as a reference only. We do not imply that these kits are original REPLACEMENT PARTS.

BACK-UP RINGS

Part Number	Min Pkg Qty	List Price
NH-235784	10	\$1.48
NH-270103	10	0.77
NH-86502705	10	0.99
NH-86512008	10	1.10
NH-9603673	10	1.04

HEAD SEALS

Part Number	List Price
NH-87615485	\$21.69
NH-87615486	21.69

O-RINGS

Part Number	Min Pkg Qty	List Price
NH-216255	10	\$1.43
NH-235782	20	0.74
NH-510121	20	0.45
NH-510185	20	0.48
NH-510204	20	0.83
NH-9848676	20	0.54

PISTON SEALS

Part Number	Bore Dia.	List Price
NH-591983	2-1/2	\$10.60
NH-771702	2-1/4	8.79
NH-87402623	5-1/4	33.56

RETAINER RINGS

Part Number	List Price
NH-512015	\$26.07

U-SEALS

Part Number	Rod Dia.	List Price
NH-592955	1-1/2	\$15.28
NH-86513307	1-1/4	10.28
NH-9600664	1-3/8	11.26

WEAR RINGS

Part Number	O.D. X Width	List Price
NH-771701	2-1/4 X 3/8	\$4.78
NH-783874	2-1/2 X 3/8	4.94
NH-9842390	1.520 X 3/4	14.48
NH-9843627	1-3/8 X 1/2	11.01

WIPERS

Part Number	Rod Dia.	List Price
NH-128406	1-1/8	\$3.37
NH-46886	1-3/8	3.64
NH-511979	1-1/2	4.09
NH-529340	1-1/4	3.64

REPLACEMENT KITS FOR NISSAN LIFT TRUCKS

NOTE: A cylinder number will help in determining the proper kit part number. If no cylinder number is available, furnish rod and bore sizes and description of parts.

Kit Number	Code (Pg. xiv)	Rod X Bore Size	List Price
NN-49440-00H00	MOTOR KIT		\$11.76
NN-49510-L6025	P-U-10	25 X 55 mm	91.62
NN-49599-11H00	P-U-10	40 X 60 Double Rod	125.58
NN-49599-51K00	P-U-10	40 X 65 mm	125.50
NN-49599-FC000	I-U-10	40 mm X 2-3/8	103.13
NN-58099-00H00	P-U-4	35 X 45 mm	86.49
NN-58099-00H60	P-U-4	35 X 45 mm	61.38
NN-58099-0G211	I-U-4	2 in X 75 mm	44.01
NN-58099-0G511	I-U-4	2 in X 80 mm	147.20
NN-58099-10H00	P-U-5	40 X 50 mm	149.68
NN-58099-10H60	P-U-4	40 X 50 mm	57.14
NN-58099-20H12	P-U-4	45 X 60 mm	102.05
NN-58099-20H62	P-U-4	45 X 60 mm	52.96
NN-58099-23H00	P-U-1	45 X 55 mm	74.14
NN-58099-23H60	P-U-4	45 X 55 mm	65.06
NN-58099-31K11	I-U-4	2" X 2-3/4"	57.63
NN-58099-51H10	P-U-14	50 X 70 mm	116.89
NN-58099-51H60	P-U-4	50 X 65 mm	53.84
NN-58099-51H70	P-U-4	50 X 70 mm	88.24
NN-58099-L2600	P-U-4	40 X 50 mm	140.40
NN-58099-L4900	P-U-1	55 mm Rod Kit	76.24
NN-58099-L6000	P-U-4	50 X 70 mm	172.49
NN-58099-L6001	P-U-4	60 X 70 mm	184.08
NN-58099-L900	P-U-1	55 mm Rod Kit	76.24
NN-58099-L9010	P-U-4	60 X 80 mm	98.94
NN-58099-L9016	P-U-15	65 X 80 mm	102.17
NN-58199-L1100	I-U-4	50 X 70 mm	157.09
NN-58199-L1300	I-U-4	60 X 80 mm	171.83
NN-58199-L1400	I-U-4	45 X 65 mm	149.76
NN-58199-L1700	I-U-4	50 X 70 mm	157.09
NN-58199-L6000	I-U-4	65 X 90 mm	177.90
NN-58199-L6100	I-U-4	70 X 100 mm	184.25
NN-58299-01H00	P-U-1	32 mm Rod Kit	61.57
NN-58299-11H00	P-U-1	35 X 55 mm	68.29
NN-58299-L1100	I-U-1	60, 80, 112mm Stages	135.03
NN-58399-L1100	I-U-4	60 X 90 mm	176.04
NN-58499-02H10	P-U-1	70 mm Rod Kit	90.22
NN-58499-12H11	P-U-1	75 X 85 mm	117.02
NN-58499-22H10	P-U-1	90 mm Rod Kit	104.11
NN-58499-25H10	P-U-1	80 mm Rod Kit	117.72
NN-58499-6G500	I-U-4	2 in X 60 mm	159.05
NN-58499-L1100	I-U-1	80 mm Rod Kit	82.74
NN-58499-L1101	I-U-1	50 mm Rod Kit	52.70

Kit Number	Code (Pg. xiv)	Rod X Bore Size	List Price
NN-58499-L1102	I-U-1	50 mm Rod Kit	\$55.44
NN-58499-L1400	I-U-1	70 mm Rod Kit	70.62
NN-58499-L1401	I-U-1	45 mm Rod Kit	49.10
NN-58499-L1402	I-U-1	45 mm Rod Kit	51.70
NN-58499-L6000	I-U-4	70 X 100 mm	153.24
NN-58499-L6001	P-U-1	65mm Rod Kit	86.59
NN-58499-L7401	P-U-1	45 mm Rod Kit	42.30
NN-58699-00H00	P-U-1	25 X 65 mm	87.39
NN-58699-05H00	P-U-1	30 X 65 mm	80.87
NN-58699-10H00	P-U-3	30 X 70 mm	87.93
NN-58699-14H00	P-U-3	35 X 70 mm	90.88
NN-58699-20H00	P-U-1	35 X 80 mm	67.81
NN-58699-21H00	P-U-1	40 X 80 mm	81.95
NN-58699-51K00	P-U-3	30 X 60 mm	51.82
NN-58699-L1125	I-U-1	35 mm Rod Kit	57.73
NN-58699-L1126	I-U-1	35 mm Rod Kit	61.29
NN-58699-L1425	I-U-1	30 mm Rod Kit	61.29
NN-58699-L1426	I-U-1	30 mm Rod Kit	54.24
NN-58699-L6000	I-U-1	40 mm Rod Kit	62.03
NN-58699-L6011	I-U-1	40 mm Rod Kit	67.09
NN-58699-L6800	I-U-1	45 mm Rod Kit	69.63
NN-58699-L6811	I-U-1	45 mm Rod Kit	74.98
NN-58699-L8100	I-U-1	35 X 80 mm	42.98
NN-58699-L9000	I-U-1	50mm Rod Kit	71.51
NN-58699-L9010	I-U-1	50 X 100 mm	86.42
NN-69399-90H00		9/16" Valve Kit	9.69
NN-69399-L1202		9/16" Valve Kit	28.90

NISSAN

REPLACEMENT PARTS FOR NISSAN EQUIPMENT

NOTE: Nissan part numbers are used as a reference only. We do not imply that these kits are original REPLACEMENT PARTS.

O-RINGS

Part Number	Min Pkg Qty	List Price
NN-49516-L6004	10	\$1.03
NN-49526-L6004	10	3.76
NN-58117-L6000	20	0.85
NN-58122-L0700	2	5.08
NN-58123-L1100	5	2.14
NN-58123-L1300	5	2.07
NN-58123-L1400	10	1.36
NN-58124-L1300	5	7.44
NN-58124-L1400	10	1.72
NN-58124-L6100	5	2.45
NN-58142-L0800	5	2.92
NN-58185-48570	5	7.44
NN-58225-47600	2	3.99
NN-58245-47701	25	0.40
NN-58248-47230	2	6.53
NN-58251-48570	2	5.56
NN-58417-L1100	10	1.66
NN-58423-L1100	2	6.09
NN-58423-L1400	2	5.75
NN-58424-L1100	5	2.42
NN-58424-L1400	5	2.80
NN-58624-L3100	5	2.09
NN-58624-L6800	5	2.15
NN-58634-L3100	25	0.40
NN-69386-L1106	20	0.67
NN-69399-L2500	10	2.80
NN-85225-47600	2	3.99
NN-E8122-F8101	10	1.56
NN-G9386-L1106	20	0.67

PISTON U-SEALS

Part Number	Bore Dia.	List Price
NN-58140-L1401	65 mm	\$42.86
NN-58140-L1100	70 mm	42.86
NN-58140-L6000	90 mm	50.64
NN-58140-L6100	100 mm	50.64

U-SEALS

Part Number	Rod Dia.	List Price
NN-49522-L6004	25 mm	\$3.51
NN-58621-L1400	30 mm	8.22
NN-58621-L1100	35 mm	12.44
NN-58221-24H00	38 mm	14.71
NN-58621-L3100	40 mm	13.63
NN-58121-L1400	45 mm	16.07
NN-58242-L1400	65 mm	17.11
NN-30961-08012	80 mm	31.85

BUSHINGS

Part Number	Rod Dia.	List Price
NN-49521-FC000	60 mm	\$4.37

WIPERS

Part Number	Rod Dia.	List Price
NN-49524-L6004	25 mm	\$18.73
NN-58622-L1400	30 mm	8.72
NN-58222-01H01	32 mm	23.28
NN-58222-24H01	38 mm	31.80
NN-58622-L3100	40 mm	5.31
NN-58122-L1400	45 mm	6.50
NN-58017-L1300	50 mm	26.47
NN-58122-L1100	50 mm	7.37
NN-58017-L4900	55 mm	30.24
NN-58017-L6007	60 mm	32.77
NN-58122-L1300	60 mm	9.56
NN-58243-L1400	65 mm	10.19
NN-58453-L6000	65 mm	34.75
NN-58422-L1400	70 mm	10.63
NN-58243-L1100	80 mm	11.77

NPK

Repair parts for NPK are available online at www.HerculesUS.com or by contacting the Hercules Sales Team at the information provided below.

PAK-MOR

Repair parts for Pak-Mor are available online at www.HerculesUS.com or by contacting the Hercules Sales Team at the information provided below.

PANDROL-JACKSON

Repair parts for Pandrol-Jackson are available online at www.HerculesUS.com or by contacting the Hercules Sales Team at the information provided below.

PEABODY GALION

Repair parts for Peabody Galion are available online at www.HerculesUS.com or by contacting the Hercules Sales Team at the information provided below.

PEERLESS

Repair parts for Peerless are available online at www.HerculesUS.com or by contacting the Hercules Sales Team at the information provided below.

PERFECTION - COBEY TELESCOPIC CYLINDER PARTS

PACKING: Vee packing with top and bottom adapters.
3, 4, & 5" stages have .265" CS.
6, 7, & 8 have 1/4" CS. 9" stage has 3/8" CS.

WIPERS: Urethane snap-in type.

BEARINGS: Original were bronze. Many replacements being offered in either glass-filled nylon or mineral filled nylon material. 3" through 6" stages have bearings above and below packing. 7" and 8" stages have bearing above packing only.

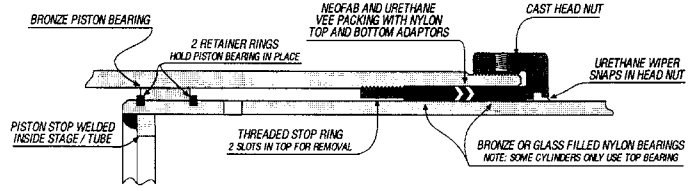
PISTON: Bronze bearing held in place by 2 spring steel snap rings.

STAGE O.D.'s: 2.580", 3.580", 4.580", 5.445", 6.445", 7.445", 8.445"

SPECIAL INFO. Internally threaded ring which serves as internal stop.

IDENTIFICATION: Model number and serial number stamped near base of cylinder.

PERFECTION



Kit Number	Stage O.D.	Description	List Price
PACKING & WIPERS			
PF-3VSW	2.580	Vee Set & Wiper	\$29.69
PF-4VSW	3.580	Vee Set & Wiper	51.06
PF-5VSW	4.580	Vee Set & Wiper	71.90
PF-6VSW	5.445	Vee Set & Wiper	61.72
PF-7VSW	6.445	Vee Set & Wiper	83.02
PF-8VSW	7.445	Vee Set & Wiper	93.44
PF-9VSW	8.445	Vee Set & Wiper	329.06
BEARINGS			
PF-4NB	3.580	Gland Bearing	\$33.93
PF-5NB	4.580	Gland Bearing	41.32
PF-6NB	5.445	Gland Bearing	44.77
PF-7NB	6.445	Gland Bearing	49.41
PF-8NB	7.445	Gland Bearing	83.52

Part Number	Description	List Price
KITS		
PF-35	3" - 5" Vee Set & Wiper	\$160.80
PF-46	4" - 6" Vee Set & Wiper	204.57
PF-47	4" - 7" Vee Set & Wiper	302.83
PF-48	4" - 8" Vee Set & Wiper	413.55
PF-49	4" - 9" Vee Set & Wiper	726.71
PF-57	5" - 7" Vee Set & Wiper	242.36
KITS		
PF-58	5" - 8" Vee Set & Wiper	\$353.09
PF-59	5" - 9" Vee Set & Wiper	634.55
PF-68	6" - 8" Vee Set & Wiper	282.06
MISCELLANEOUS PARTS		
PF-19120	Bleeder Valve (Min Pack - 3)	\$6.15

REPLACEMENT KITS FOR PERFECTION - COBEY

NOTE:
HEAD NUTS, END BEARINGS AND SNAP RINGS
ARE AVAILABLE. CALL FOR PRICE.

PERFECTION - COBEY SEAL KITS FOR TWIN TELESCOPICS

Kit Number	Cyl. Number	Stage Sizes	Description	List Price
PF-50493	475	3.220, 3.830	O-Rings, Back-Ups, Wipers	\$42.48
PF-50494	375	2.580, 3.220	O-Rings, Back-Ups, Wipers	31.00
PF-50530	495, 498	2.580, 3.220, 3.830	O-Rings, Back-Ups, Wipers	51.99
PF-88799	375	2.580, 3.220	U-Seals, O-Rings, Wipers	55.51
PF-88800	475	3.220, 3.830	U-Seals, O-Rings, Wipers	67.20
PF-88801	495, 498	2.580, 3.220, 3.830	U-Seals, O-Rings, Wipers	88.76

PERFECTION - COBEY DUMP TRUCK PUMP PARTS

Part Number	Description	List Price
PF-75175	7/8" ID Vee Set	\$13.38
PF-75175 KIT	7/8" Vee Sets, O-Rings, Valve Gaskets	60.28
PF-78317+BU	7/8 " Shaft Seal & Back Up	17.14
PF-86081	3/4" ID Oil Seal	10.94
PF-86082	7/8 " ID Oil Seal	6.50
PF-86082 KIT	7/8" Shaft Pump Kit	28.89

NOTE:
THE ABOVE CYLINDER ASSEMBLIES ARE AVAILABLE
FROM STOCK. CALL FOR PRICES.

PERFECTION - COBEY MISCELLANEOUS PERFECTION KITS & PARTS

Part Number	Description	List Price
PF-18273	2-3/4" Rod Vee Set	\$24.93
PF-18274	2" Rod Vee Set	10.24
PF-22001	2.58" Rod Dia.	5.10
PF-22002	3.22" Rod Dia.	5.72
PF-22003	3.83" Rod Dia.	6.22
PF-45007	1-1/4" ID Vee Set	11.79
PF-45030	2" ID Vee Set	17.23
PF-55152	2-1/2" ID Vee Set	22.83
PF-62463	2" ID Vee Set	17.23

Part Number	Description	List Price
PF-75175	7/8" I.D. Vee Set (each)	\$13.38
PF-81566	3/4" ID Vee Set	16.90
PF-84598K	P-U-52-1/2 X 4-1/2	105.30
PF-86081	3/4" I.D. Oil Seal	10.94
PF-86082	7/8 " ID Oil Seal	6.50

PETTIBONE

Kit Number	Code (Pg. xiv)	Rod X Bore Size	List Price
PB-LL-6011-4	P-V-10	1-1/4 X 2-1/2	\$36.57
PB-LL-6012-19	I-U-10	2 X 3	95.53
PB-LL-6014-27	I-U-10	2-3/4 X 4	138.10
PB-LL-6014-29	I-U-10	2-3/4 X 4	111.83
PB-LL-6015-35	P-U-10	4-1/2 X 5-1/2	135.20
PB-LL-6015-37	I-U-10	3-1/2 X 4-1/2	94.64
PB-LL-6018-12	P-U-10	4-1/2 X 6	146.77
PB-LL-6018-2	I-U-10	3 X 6	92.07
PB-LL-7235-2	I-U-10	3 X 6-1/4	108.00

PRENTICE

Repair parts for Prentice are available online at www.HerculesUS.com or by contacting the Hercules Sales Team at the information provided below.

P & H CRANE

Kit Number	Code (Pg. xiv)	Rod X Bore Size	List Price
PH-1045Z1795	I-U-10,12	5 X 6	\$246.43
PH-1045Z1925	P, I-OB-5	1-1/2 X 3-1/2	59.93
PH-1100P351F7	I-U-10	1-1/2 X 2-1/2	28.00
PH-1100P354F3	I-U-10	2 X 4	30.28
PH-1100P357F2	I-U-10	2 X 4-1/2	55.53
PH-1100P359F1	I-U-10	4 X 4-3/4	129.50
PH-1100P361F1	I-U-10,12	4-1/4 X 5	116.83
PH-1100P362F2	I-U-10, 12	4-1/4 X 5-1/4	129.61
PH-1100P366-2	I-U-4	4 X 6	155.38
PH-1100P366F1	I-U-10	4 X 6	84.05
PH-1100P372F1	I-U-10, 12	4-1/4 X 7	180.57
PH-1100P380F1	I-U-10, 12	4-1/4 X 9	500.25
PH-1100P381F1	I-U-10, 12	6-1/2 X 9	409.71
PH-1100P386F6	I-U-10, 12	7 X 10-1/2	775.97
PH-1100P419F2		7-3/4" Swivel	424.48

PRINCE

Kit Number	Code (Pg. xiv)	Rod X Bore Size	List Price
PC-10200	I-OB-5	1-1/4 X 2-3/8	\$34.62
PC-19700	I-U-10	1-3/8 X 3	23.55
PC-31841	I-U-10, 12	1-3/4 X 6	136.06
PC-31842	I-U-10, 12	2 X 6	135.45
PC-A807	P-V-9	2 X 5	90.34
PC-D1192	P-O-3, 12	1-3/8 X 3-1/4	41.62
PC-F-1121	I-OB-10	1-3/4 X 4	11.86
PC-F-1122	I-OB-10	1-3/4 X 3	15.51
PC-F237	I-OB-12	3 X 7	144.40
PC-G476	I-OB-3, 12	2 X 6	37.76
PC-H304	I-N-4	2-3/8, 3-3/8, 4-3/8 Stages	67.65
PC-H346	I-U-1	2-3/8, 3-3/8 Stages	43.86
PC-J1335	I-U-12	4-1/2 X 6	147.73
PC-J421	I-U-10, 12	1-1/2 X 3	63.48
PC-K1215	I-U-4	3, 4-1/2 Stages	127.78
PC-M387	I-U-3, 12	2-1/2 X 3-1/2	38.16
PMCK-10000	I-U-5	3 X 6	182.55
PMCK-19400	I-U-10	3/4 X 1-1/2	49.20
PMCK-19500	I-U-10	1-1/8 X 2	53.30
PMCK-19900	I-U-10	1-3/4 X 4	66.75
PMCK-21000	I-U-10	2-1/2 X 5	115.50
PMCK-22000	I-U-10	3 X 6	128.70
PMCK-35000	I, P-U-13	2 X 5	84.80
PMCK-42000	I-U-13	1-1/8 X 2	97.40
PMCK-43000	I-U-13	1-3/8 X 3	59.00
PMCK-43500	I-U-13	1-1/2 X 3-1/2	80.30
PMCK-44000	I-U-11	1-3/4 X 4	95.70
PMCK-5400	I-OB-3, 12	1-3/8 X 2-1/2	53.90
PMCK-5500	I-OB-3, 12	1-1/2 X 3-1/2	71.50
PMCK-5600	I-OB-3, 12	2 X 4	79.20

Kit Number	Code (Pg. xiv)	Rod X Bore Size	List Price
PMCK-7000	I-U-3	1-1/8 X 2-1/2	\$45.10
PMCK-7100	I-U-3	1-1/8 X 3	41.80
PMCK-8300	I-OB-3, 12	1-1/2 X 3	66.00
PMCK-8400	I-U-11	1 X 2	37.00
PMCK-9000	I-U-3	1-1/8 X 2	35.20
PMCK-9100	I-U-3	1-1/4 X 2-1/2	48.40
PMCK-9200	I-U-3	1-3/8 X 3	49.00
PMCK-9300	I-U-3	1-3/8 X 3-1/2	43.50
PMCK-9400	I-U-3	1-3/4 X 4	62.70
PMCK-9500	I-U-3	2 X 5	72.60
PMCK-9900	I-U-5	2-1/2 X 5	200.70
PMCK-AA-606	I-U-5	1-1/2 X 4	49.22
PMCK-AD414	I-U-13	2-1/2 X 4	39.11
PMCK-AE-343	I-U-2	3 X 8	48.96
PMCK-AF962	I-U-13	2-1/2 X 4	40.30
PMCK-AK-84	P-U-10	1-3/4 X 2-1/2	65.68
PMCK-AM-1139	P-U-10	1-3/4 X 2-1/2	64.38
PMCK-B200000	I-U-10	1-1/8 X 2	39.32
PMCK-B300000	P-U-10	1-3/8 X 3	41.80
PMCK-B400000	P-U-10	1-3/4 X 4	78.10
PMCK-B500000	P-U-10	2 X 5	78.10

PRINCE

RAYMOND LIFT TRUCKS

Repair parts for Raymond Lift Trucks are available online at www.HerculesUS.com, in the Industrial Catalog or by contacting the Hercules Sales Team at the information provided below.

RED LION TIE-ROD CYLINDERS

Kit Number	Code (Pg. xiv)	Rod X Bore Size	List Price
RL-492901	P-OB-3	1-1/8 X 2	\$14.47
RL-492903	P-OB-3	1-1/8 X 2-1/2	15.37
RL-492907	P-OB-3	1-1/4 X 3	16.22
RL-492911	P-OB-3	1-1/4 X 3-1/2	17.11
RL-492915	P-OB-3	1-1/4 X 4	18.56
RL-RK-20TR-112	P-OB-3	1-1/8 X 2	20.81

REYNOLDS SCRAPER

Kit Number	Code (Pg. xiv)	Rod X Bore Size	List Price
RE-1020306	I-U-10,12	2 X 6	\$140.51
RE-1020878	I-U-10,12	2 X 6	138.64
RE-1020879	I-U-10,12	2 X 3-1/2	56.78
RE-1023060	I-U-10,12	2-1/2 X 6	146.63
RE-7040H012	I-U-10,12	1-1/2 X 3-1/2	53.72
RE-7040H012NPR	I-U-10	1-1/2 X 3-1/2	24.79
RE-7040H014	I-U-10,12	1-1/2 X 3	54.39
RE-7040H014NPR	I-U-10	1-1/2 X 3	23.91
RE-7040H017	I-U-10	2 X 3-1/2	52.41
RE-7040H017NPR	I-U-10	2 X 3-1/2	23.15
RE-7040H019	I-U-10,12	1-3/4 X 4	64.65
RE-7040H019NPR	I-U-10	1-3/4 X 4	27.64
RE-7040H022	I-U-10,12	1-1/2 X 4	42.71
RE-7040H022NPR	I-U-10	1-1/2 X 4	26.42
RE-7040H023	I-U-10,12	2 X 5	98.11
RE-7040H023NPR	I-U-10	2 X 5	33.54
RE-7040H026	I-U-10,12	1-1/2 X 2-1/2	52.22
RE-7040H026NPR	I-U-10	1-1/2 X 2	22.51

RONEN

Repair parts for Ronen are available online at www.HerculesUS.com or by contacting the Hercules Sales Team at the information provided below.

SAMSUNG

Kit Number	Code (Pg. xiv)	Rod X Bore Size	List Price
SAM-8048-00070	P-UB-14	80 X 120 mm	\$560.40
SAM-8048-00130	P-UB-14	105 X 160 mm	594.69
SAM-8048-00150	P-UB-14	105 X 150 mm	635.48
SAM-8130-00420	P-UB-14	95 X 140 mm	296.04

Replacement Kits For

SANDVIK

Loaders - Wheel						
APPLICATION	CYL #	CODE	ROD	BORE	KIT #	List \$
MODEL LH203						
LIFT		P-UB-10	90 mm	180 mm	SDK-56019157	385.64
TILT		P-UB-10	70 mm	140 mm	SDK-56019158	158.15
MODEL LH307						
DUMP		P-UB-10,12	110 mm	200 mm	SDK-56016048	587.51
LIFT		P-UB-10	90 mm	140 mm	SDK-56016093	171.13
STEERING		P-UB-10	50 mm	100 mm	SDK-56016050	95.94
MODEL LH410						
DUMP		P-UB-10,12	110 mm	200 mm	SDK-56002936	629.82
LIFT		P-UB-10,12	90 mm	160 mm	SDK-56019416	317.32
STEERING		P-UB-10	70 mm	125 mm	SDK-56019415	246.66
MODEL LH410M						
DUMP		P-UB-10,12	110 mm	200 mm	SDK-56002936	629.82
MODEL TORO 007						
DUMP		P-V-10,12	110 mm	200 mm	SDK-04001784	624.29
LIFT		P-V-10,12	90 mm	160 mm	SDK-04001785	319.13
STEERING		P-V-10	70 mm	125 mm	SDK-04001783	209.62
MODEL TORO 1250						
DUMP		I-V-9	140 mm	250 mm	SDK-04001773	717.59
LIFT		I-V-14	90 mm	180 mm	SDK-04001767	193.53
STEERING		P-V-10	70 mm	125 mm	SDK-04001783	209.62

SANDVIK

Kit Number	Code (Pg. xiv)	Rod X Bore Size	List Price
SDK-04001767	I-V-14	90 X 180 mm	\$193.53
SDK-04001773	I-V-9	140 X 250 mm	717.59
SDK-04001783	P-V-10	70 X 125 mm	209.62
SDK-04001784	P-V-10,12	110 X 200 mm	624.29
SDK-04001785	P-V-10,12	90 X 160 mm	319.13
SDK-29560653	P-UB-10	70 mm X 100 mm	132.52
SDK-56002936	P-UB-10,12	110 X 200 mm	629.82
SDK-56016048	P-UB-10,12	110 X 200 mm	587.51
SDK-56016050	P-UB-10	50 X 100 mm	95.94

Kit Number	Code (Pg. xiv)	Rod X Bore Size	List Price
SDK-56016093	P-UB-10	90 X 140 mm	\$171.13
SDK-56019157	P-UB-10	90 X 180 mm	385.64
SDK-56019158	P-UB-10	70 X 140 mm	158.15
SDK-56019415	P-UB-10	70 X 125 mm	246.66
SDK-56019416	P-UB-10,12	90 X 160 mm	317.32
SDK-56019710	P-UB-10,12	90 mm X 160 mm	317.32

SERCO

Replacement Kits For

Forestry - Log Loaders						
APPLICATION	CODE	ROD	BORE	MISC	KIT #	List \$
MODEL 7000						
JIB	I-UB-10	2-1/2	5	After April 2004	SERCO-CC2321	93.95
	I-UB-4	2-1/2	5	2003-April 2004	SERCO-CC2314	103.09
	I-U-4	2-1/2	5	2001-2003	SERCO-CC2285	57.36
	P-U-5	2-1/2	5	Before 2001	SERCO-CC2021	73.74
MAIN	I-UB-10	2-1/2	5	After April 2004	SERCO-CC2321	93.95
	I-UB-4	2-1/2	5	2003-April 2004	SERCO-CC2314	103.09
	I-U-4	2-1/2	5	2001-2003	SERCO-CC2285	57.36
	P-U-5	2-1/2	5	Before 2001	SERCO-CC2021	73.74
OUTRIGGER	P-U-4	2	4		SERCO-CC2041	23.28
MODEL 7500						
JIB	I-UB-10	2-1/2	5		SERCO-CC2321	93.95
MAIN	I-UB-10	2-1/2	5		SERCO-CC2321	93.95
OUTRIGGER	P-U-4	2	4		SERCO-CC2041	23.28
SQUIRT BOOM	I-U-5	1-3/4	3		SERCO-CC2310	18.20

Kit Number	Code (Pg, xiv)	Rod x Bore Size	List Price
SERCO-CC2021	P-U-5	2-1/2 x 5	\$73.74
SERCO-CC2285	I-U-4	2-1/2 x 5	57.36
SERCO-CC2314	I-UB-4	2-1/2 x 5	103.09
SERCO-CC2321	I-UB-10	2-1/2 x 5	93.95
SERCO-CC2021	P-U-5	2-1/2 x 5	73.74
SERCO-CC2285	I-U-4	2-1/2 x 5	57.36
SERCO-CC2314	I-UB-4	2-1/2 x 5	103.09

Kit Number	Code (Pg, xiv)	Rod x Bore Size	List Price
SERCO-CC2321	I-UB-10	2-1/2 x 5	\$93.95
SERCO-CC2041	P-U-4	2 x 4	23.28
SERCO-CC2321	I-UB-10	2-1/2 x 5	93.95
SERCO-CC2321	I-UB-10	2-1/2 x 5	93.95
SERCO-CC2041	P-U-4	2 x 4	23.28
SERCO-CC2310	I-U-5	1-3/4 x 5	18.20

SKYJACK

Kit Number	Code (Pg, xiv)	Rod X Bore Size	List Price
SKY-113443	I-U-4	7/8 X 2	\$28.64
SKY-105816	I-U-4	3/4 X 1-1/2	33.49
SKY-105888	I-U-2	3 X 3-1/2	83.76
SKY-113873	I-U-4	2-1/2 X 3-3/8	55.40

O-RINGS FOR SKYJACK EQUIPMENT

Part Number	Min Pkg Qty	List Price
SKY-103828	50	\$0.24
SKY-120436	20	0.27

SNORKEL

Repair parts for Snorkel are available online at www.HerculesUS.com or by contacting the Hercules Sales Team at the information provided below.

STEELMASTER

Repair parts for Steelmaster are available online at www.HerculesUS.com or by contacting the Hercules Sales Team at the information provided below.

SUMITOMO

Repair parts for Sumitomo are available online at www.HerculesUS.com or by contacting the Hercules Sales Team at the information provided below.

TAMROCK

Kit Number	Code (Pg, xiv)	Rod X Bore Size	List Price
TAMR-85069909	P-U-14	25 X 40 mm	\$109.44
TAMR-85577709	P-U-15	50 X 125 mm	287.83
TAMR-85711149	O-RING KIT		4.95
TAMR-87285619	I-UB-10	50 X 70 mm	541.12

REPLACEMENT SEAL KITS FOR TAKEUCHI EQUIPMENT*

Replacement Seal Kits By Machine Type

Table of Contents

▶ NEW MODELS AND APPLICATIONS

▶ UPDATES

Machine Type	Page
Excavators TB015, TB025, TB035, TB036, TB068	1044
Excavators Compact TB014, TB016, TB108, TB125, TB135, TB138FR , TB145, TB153FR , TB175, TB216 , TB230 , TB240 , TB250	1045 - 1048
Loaders - Skid Steer TL8 , TL8R-2 , TL10 , TL10V2 , TL12 , TL12R2 , TL12V2	1048 - 1049
Alpha-Numeric Kit Listing	1050 - 1051
Takeuchi Individual Parts	1051 - 1053

TAKEUCHI

Replacement Kits For

Excavators							
APPLICATION	CYL #	SERIAL #	CODE	ROD	BORE	KIT #	List \$
MODEL TB015							
ARM	19000-61400	1153001-	P-U-10	30 mm	55 mm	TAK-19000-58099	104.94
BLADE	19000-59200	1153001-	P-U-10	35 mm	55 mm	TAK-19000-53499	117.24
BOOM	19000-61200	1153001-	P-U-10	30 mm	55 mm	TAK-19000-61299	99.67
BUCKET	19000-61500	1153001-	P-U-10	30 mm	50 mm	TAK-19000-61599	93.26
BUCKET TEL. A.	19000-62700	1153001-	P-U-10	30 mm	55 mm	TAK-19000-51999	97.40
SPANNER	19000-59300	1153001-	P-U-10	30 mm	55 mm	TAK-19000-51999	97.40
SWING	19000-57700	1153001-	P-U-10	35 mm	60 mm	TAK-19000-53399	108.17
TELESCOPIC	19000-62900	1153001-	P-U-13	25 mm	40 mm	TAK-19000-62699	107.13
MODEL TB025							
ARM	19000-52500	1255001-	I-U-14	40 mm	70 mm	TAK-19000-43999	133.09
BLADE	19000-52700	1255001-	I-U-14	45 mm	85 mm	TAK-19000-44299	153.94
BOOM	19000-52300	1255001-	P-U-14	40 mm	75 mm	TAK-19000-43899	145.42
BOOM CABIN	19000-52400	1255001-	P-U-14	40 mm	75 mm	TAK-19000-43899	145.42
	19000-69900	1255001-	P-U-14	40 mm	75 mm	TAK-19000-43899	145.42
BUCKET	19000-52600	1255001-	I-U-14	35 mm	60 mm	TAK-19000-44099	118.87
SWING	19000-51300	1255001-	I-U-14	40 mm	75 mm	TAK-19000-46199	182.25
MODEL TB035							
ARM	19000-56200	1355001-	P-U-10	45 mm	80 mm	TAK-19000-54999	100.03
BLADE	19000-55100	1355001-	P-U-10	55 mm	100 mm	TAK-19000-55199	150.50
BOOM	19000-54700	1355001-	P-U-10	45 mm	85 mm	TAK-19000-54799	109.00
BOOM CABIN	19000-54800	1355001-	P-U-10	45 mm	85 mm	TAK-19000-54799	109.00
	19000-70100	1355001-	P-U-10	45 mm	85 mm	TAK-19000-54799	109.00
BUCKET	19000-56300	1355001-	P-U-10	40 mm	70 mm	TAK-19000-52099	133.66
SWING	19000-56100	1355001-	P-U-10	45 mm	80 mm	TAK-19000-54199	117.24
TELESCOPIC	19000-62000	1355001-	P-U-10	40 mm	65 mm	TAK-19000-62099	103.64
MODEL TB036							
ARM	19000-11400	36003-.1140	P-U-5	45 mm	80 mm	TAK-19000-05099	152.83
ARM EXT. ARM	19000-16000	36003-.1140	P-U-5	45 mm	80 mm	TAK-19000-05099	152.83
BLADE	19000-12400	36003-.1140	P-U-5	40 mm	70 mm	TAK-19000-12299	80.57
	19000-12500	36003-.1140	P-U-5	40 mm	70 mm	TAK-19000-12299	80.57
BOOM LH - New	19000-32500	36003-.1140	P-U-5	40 mm	70 mm	TAK-19000-11299	117.87
BOOM LH - Old	19000-11300	36003-.1140	P-U-5	40 mm	70 mm	TAK-19000-11299	117.87
BOOM RH - New	19000-32400	36003-.1140	P-U-5	40 mm	70 mm	TAK-19000-11299	117.87
BOOM RH - Old	19000-11299	36003-.1140	P-U-5	40 mm	70 mm	TAK-19000-11299	117.87
BUCKET	19000-35400	36003-.1140	P-U-5	40 mm	70 mm	TAK-19000-05199	115.97
EXTENSION	19000-37700	36003-.1140	I-U-5	40 mm	60 mm	TAK-19000-37799	82.82
SWING	19000-25100	36003-.1140	P-U-5	50 mm	80 mm	TAK-19000-39199	187.78
MODEL TB068							
ARM	19000-19600	68003-68914&68233-68242	P-U-5	65 mm	105 mm	TAK-19000-19699	210.20
	19000-26400	68243-,68195-68232	P-U-5	65 mm	105 mm	TAK-19000-19699	210.20
BLADE LH	19000-16500	68003-68914&68233-68242	P-U-5	60 mm	100 mm	TAK-19000-16499	194.84
	19000-25900	68195-68232&68243-	P-U-5	60 mm	100 mm	TAK-19000-16499	194.84
BLADE RH	19000-16600	68003-68914&68233-68242	P-U-5	60 mm	100 mm	TAK-19000-16499	194.84
	19000-25800	68195-68232&68243-	P-U-5	60 mm	100 mm	TAK-19000-16499	194.84
BOOM LH	19000-26100	68195-68232&68243-68295	P-U-5	55 mm	85 mm	TAK-19000-16199	162.48
	19000-32900	68296,68596-	P-U-5	55 mm	85 mm	TAK-19000-16199	162.48
BOOM RH	19000-26200	68195-68232&68243-68295	P-U-5	55 mm	85 mm	TAK-19000-16199	162.48
	19000-32800	68296, 68596-	P-U-5	55 mm	85 mm	TAK-19000-16199	162.48
BUCKET	19000-26000	68195-68232&68243-	P-U-5	55 mm	90 mm	TAK-19000-16399	171.13
SWING	19000-26300	63203-	P-U-5	60 mm	100 mm	TAK-19000-16499	194.84

TAKEUCHI

TAKEUCHI

Replacement Kits For

Excavators - Compact

APPLICATION	CYL #	SERIAL #	CODE	ROD	BORE	KIT #	List \$
MODEL TB014							
ARM	1900074600	11400003-11400358	P-U-10	30 mm	55 mm	TAK-19000-51999	97.40
	1900075400	11400359	P-U-10	30 mm	55 mm	TAK-19000-51999	97.40
BLADE	1900070300		P-U-10	35 mm	63 mm	TAK-19000-70399	30.55
BLADE LONGER	1900074900		P-U-10	40 mm	75 mm	TAK-19000-54399	110.15
BOOM (CAB)	1900072500	11400003-11400436	P-U-10	30 mm	55 mm	TAK-19000-70499	79.15
	1900080200	11400437-11400490	P-U-10	30 mm	55 mm	TAK-19000-70499	79.15
	1900082500	11400491-	P-U-10	30 mm	55 mm	TAK-19000-70499	79.15
BOOM (CANOPY)	1900070400	11400003-11400490	P-U-10	30 mm	55 mm	TAK-19000-70499	79.15
	1900080100	11400437-11400490	P-U-10	30 mm	55 mm	TAK-19000-70499	79.15
	1900082400	11400491-	P-U-10	30 mm	55 mm	TAK-19000-70499	79.15
BUCKET	1900072200		P-U-10	30 mm	50 mm	TAK-19000-72299	89.20
SWING	1900070500		P-U-10	35 mm	60 mm	TAK-19000-70599	120.75
MODEL TB016							
ARM			P-U-10	30 mm	55 mm	TAK-19000-51999	97.40
BLADE			P-U-10	40 mm	75 mm	TAK-19000-54399	110.15
BOOM			P-U-10	30 mm	55 mm	TAK-19000-70499	79.15
BUCKET			P-U-10	35 mm	63 mm	TAK-19000-70399	30.55
SWING			P-U-10	35 mm	60 mm	TAK-19000-70599	120.75
MODEL TB108							
ARM			P-U-10	30 mm	55 mm	TAK-19000-87499	38.76
BOOM			P-U-10	25 mm	50 mm	TAK-19000-87599	35.01
BUCKET			P-U-10	25 mm	50 mm	TAK-19000-87299	33.27
DOZER			P-U-10	25 mm	50 mm	TAK-19000-87299	33.27
SWING			P-U-10	25 mm	50 mm	TAK-19000-87299	33.27
MODEL TB125							
ARM		12510009-12514525	P-U-10	40 mm	70 mm	TAK-19000-77499	72.77
BUCKET		12510009-12514525	I-U-14	35 mm	60 mm	TAK-19000-60699	133.33
DOZER		12510009-12514525	P-U-10	45 mm	85 mm	TAK-19000-78299	124.08
SWING		12510009-12514525	P-U-10	40 mm	70 mm	TAK-19000-77999	60.37
MODEL TB135							
ARM		13510004-13514050	P-U-10	45 mm	85 mm	TAK-19000-77399	29.64
		13514051 UP	P-U-10	45 mm	80 mm	TAK-19000-91499	64.47
		13510004-13514050	Wear Ring		80 mm	TAK-19000-47232	127.22
		13514051 UP	Wear Ring		80 mm	TAK-19000-90626	13.69
BLADE		13510004-13514050	P-U-10	55 mm	100 mm	TAK-19000-55199	150.50
		13514051 UP	P-U-10	55 mm	100 mm	TAK-19000-91799	65.07
		13510004-13514050	Wear Ring		100 mm	TAK-19000-47032	157.67
		13514051 UP	Wear Ring		100 mm	TAK-19000-86926	17.64
BOOM		13514051 UP	P-U-10	45 mm	85 mm	TAK-19000-77299	36.33
		13510004-13514050	P-U-10	45 mm	85 mm	TAK-19000-77299	36.33
		13510004-13514050	Wear Ring		85 mm	TAK-19000-50931	144.24
		13514051 UP	Wear Ring		85 mm	TAK-19000-50931	144.24
BUCKET		13510004-13514050	P-U-10	40 mm	70 mm	TAK-19000-77499	72.77
		13514051 UP	P-U-10	40 mm	70 mm	TAK-19000-91599	46.52
		13516745 UP	P-U-10	40 mm	70 mm	TAK-19000-91599	46.52
		13510004-13514050	Wear Ring		70 mm	TAK-19000-51131	82.07
		13514051-13516744	Wear Ring		70 mm	TAK-19000-88626	11.87
		13516745 UP	Wear Ring		70 mm	TAK-19000-97131	11.87
SWING		13510004-13514050	P-U-10	45 mm	80 mm	TAK-19000-75599	30.97
		13514051 UP	P-U-10	45 mm	80 mm	TAK-19000-91699	35.77
		13510004-13514050	Wear Ring		80 mm	TAK-19000-47232	127.22
		13514051 UP	Wear Ring		80 mm	TAK-19000-90626	13.69

TAKEUCHI

TAKEUCHI

Replacement Kits For

TAKEUCHI

Excavators - Compact

APPLICATION	CYL #	SERIAL #	CODE	ROD	BORE	KIT #	List \$
MODEL TB138FR							
ARM	19000-91400	13810003-UP; 13820001-UP	P-U-10	45 mm	80 mm	TAK-19000-91499	64.47
	19000-91400	13810003-UP; 13820001-UP	Bushing	45 mm		TAK-13330-04525	20.75
	19000-91400	13810003-UP; 13820001-UP	Wear Ring		80 mm	TAK-19000-90626	13.69
BOOM	19001-00400	13810003-UP; 13820001-UP	P-U-10	50 mm	90 mm	TAK-19001-00499	73.58
	19001-00400	13810003-UP; 13820001-UP	Bushing	50 mm		TAK-13330-05030	18.73
	19001-00400	13810003-UP; 13820001-UP	Wear Ring		90 mm	TAK-19000-47132	155.38
	19001-02500	13810003-UP; 13820001-UP	P-U-10	50 mm	90 mm	TAK-19001-00499	73.58
	19001-02500	13810003-UP; 13820001-UP	Bushing	50 mm		TAK-19001-02502	18.73
	19001-02500	13810003-UP; 13820001-UP	Wear Ring		90 mm	TAK-19000-47132	155.38
BUCKET	19000-97100	13810003-UP; 13820001-UP	P-U-10	40 mm	70 mm	TAK-19000-91599	46.52
	19000-97100	13810003-UP; 13820001-UP	Bushing	40 mm		TAK-19000-88620	11.24
	19000-97100	13810003-UP; 13820001-UP	Wear Ring		70 mm	TAK-19000-97131	11.87
DOZER BLADE	19000-91700	13810003-UP; 13820001-UP	P-U-10	55 mm	100 mm	TAK-19000-91799	65.07
	19000-91700	13810003-UP; 13820001-UP	Bushing	55 mm		TAK-19000-47019	21.50
	19000-91700	13810003-UP; 13820001-UP	Wear Ring		100 mm	TAK-19000-86926	17.64
OFFSET	19000-86600	13810003-UP; 13820001-UP	P-U-10	50 mm	90 mm	TAK-19000-86699	73.58
	19000-86600	13810003-UP; 13820001-UP	Bushing	50 mm		TAK-13330-05030	18.73
	19000-86600	13810003-UP; 13820001-UP	Wear Ring		90 mm	TAK-19000-47132	155.38
MODEL TB145							
ARM	19000-75700	14510004-14510788	I-UB-14	50 mm	90 mm	TAK-19000-75799	201.46
	19000-81500	14510789-14512426	P-U-10	50 mm	90 mm	TAK-19000-81599	124.83
	19000-87900	14512427-	P-U-10	50 mm	90 mm	TAK-19000-87999	73.67
BLADE	19000-77100	14510004-	I-U-14	60 mm	110 mm	TAK-19000-77199	72.95
BOOM	19000-75600		I-U-14	55 mm	100 mm	TAK-19000-75699	206.59
	19000-75600		I-U-14	55 mm	100 mm	TAK-19000-80599	63.17
	19000-80500		I-U-14	55 mm	100 mm	TAK-19000-75699	206.59
	19000-80500		I-U-14	55 mm	100 mm	TAK-19000-80599	63.17
	19000-87800	14510004-14515345	P-U-10	55 mm	100 mm	TAK-19000-87899	86.04
	19000-97900	14515346-	P-U-10	55 mm	100 mm	TAK-19000-87899	86.04
BOOM (S/O VALVE)	19000-76100		I-U-14	55 mm	100 mm	TAK-19000-75699	206.59
	19000-76100		I-U-14	55 mm	100 mm	TAK-19000-80599	63.17
	19000-80600	14510004-14510476	I-U-14	55 mm	100 mm	TAK-19000-75699	206.59
	19000-80600	14510477-14510788	I-U-14	55 mm	100 mm	TAK-19000-80599	63.17
BUCKET	19000-75800	14510004-	I-U-14	45 mm	80 mm	TAK-19000-75899	79.04
SWING	19000-75900	14510004-14511685	I-UB-14	50 mm	90 mm	TAK-19000-75799	201.46
	19000-83300	14511686-	P-U-10	50 mm	90 mm	TAK-19000-83399	37.62
MODEL TB153FR							
ARM	19000-87900	15820004-UP; 15830001-UP	P-U-10	50 mm	90 mm	TAK-19000-87999	73.67
	19000-87900	15820004-UP; 15830001-UP	Bushing	50 mm		TAK-19000-87913	19.67
	19000-87900	15820004-UP; 15830001-UP	Wear Ring		90 mm	TAK-19000-87926	8.67
BOOM	19000-92200	15820004-UP; 15830001-UP	P-U-10	60 mm	110 mm	TAK-19000-92299	66.98
	19000-92200	15820004-UP; 15830001-UP	Bushing	60 mm		TAK-19000-92202	22.48
	19000-92200	15820004-UP; 15830001-UP	Wear Ring		110 mm	TAK-19000-91824	9.43
BUCKET	19000-75800	15820004-UP; 15830001-UP	I-U-14	45 mm	80 mm	TAK-19000-75899	79.04
	19000-75800	15820004-UP; 15830001-UP	Bushing	45 mm		TAK-13330-04540	20.42
	19000-75800	15820004-UP; 15830001-UP	Wear Ring		80 mm	TAK-14108-10800	8.04
DOZER BLADE	19000-77100	15820004-UP; 15830001-UP	I-U-14	60 mm	110 mm	TAK-19000-77199	72.95
	19000-77100	15820004-UP; 15830001-UP	Bushing	60 mm		TAK-13330-06040	29.16
	19000-77100	15820004-UP; 15830001-UP	Wear Ring		110 mm	TAK-14108-11100	24.30
OFFSET	19000-92300	15820004-UP; 15830001-UP	P-U-10	55 mm	100 mm	TAK-19000-92399	58.82
	19000-92300	15820004-UP; 15830001-UP	Bushing	55 mm		TAK-19000-87813	21.50
	19000-92300	15820004-UP; 15830001-UP	Wear Ring		100 mm	TAK-19000-89525	9.05
MODEL TB175							
ARM	19000-79100	17510003-17512104	P-UB-10	65 mm	95 mm	TAK-19000-76399	168.18

TAKEUCHI

Replacement Kits For

Excavators - Compact

APPLICATION	CYL #	SERIAL #	CODE	ROD	BORE	KIT #	List \$
MODEL TB175							
ARM	19000-90900		P-UB-10	65 mm	95 mm	TAK-19000-76399	168.18
	19000-97500	17513848-	P-UB-10	65 mm	95 mm	TAK-19000-76399	168.18
BLADE (LH)	19000-79500	17510003-17512104	P-UB-10	60 mm	100 mm	TAK-19000-79499	174.92
BLADE (RH)	19000-79400		P-UB-10	60 mm	100 mm	TAK-19000-79499	174.92
	19000-91200		P-UB-10	60 mm	100 mm	TAK-19000-91299	78.83
BOOM (2 PIECE)	19000-86800	17510003-17513781	P-UB-10	70 mm	120 mm	TAK-19000-86899	72.88
	19000-93900	17513782-	P-UB-10	70 mm	120 mm	TAK-19000-86899	72.88
BOOM (LH)	19000-79000	17510003-17512104	P-UB-10	55 mm	80 mm	TAK-19000-78999	167.56
	19000-90800	17512105-17513781	P-UB-10	55 mm	80 mm	TAK-19000-78999	167.56
	19000-93700	17513782-	P-UB-10	55 mm	80 mm	TAK-19000-78999	167.56
	19000-97600	17514514-	P-UB-10	55 mm	80 mm	TAK-19000-78999	167.56
BOOM (RH)	19000-78900	17510003-17512104	P-UB-10	55 mm	80 mm	TAK-19000-78999	167.56
	19000-90700	17512105-17513781	P-UB-10	55 mm	80 mm	TAK-19000-78999	167.56
	19000-93600	17513782-	P-UB-10	55 mm	80 mm	TAK-19000-78999	167.56
	19000-97700	17514514-	P-UB-10	55 mm	80 mm	TAK-19000-78999	167.56
BOOM 2 PIECE			P-UB-10	55 mm	90 mm	TAK-19000-87099	43.02
BUCKET	19000-79200	17510003-17510308	P-UB-10	55 mm	85 mm	TAK-19000-63599	162.17
	19000-91000	17512105-	P-UB-10	55 mm	85 mm	TAK-19000-91099	62.69
SWING	19000-79300	17510003-17512104	P-UB-10	75 mm	120 mm	TAK-19000-79399	242.96
	19000-91100	17512105-	P-UB-10	75 mm	120 mm	TAK-19000-91199	68.17
TENSION LH	19000-81100	17510003-	P-N-4	60 mm	110 mm	TAK-19000-63999	121.04
TENSION RH	19000-81000	17510003-	P-N-4	60 mm	110 mm	TAK-19000-63999	121.04
MODEL TB216							
ARM	19001-16200	216000002-	P-U-10	35 mm	60 mm	TAK-19001-05299	102.85
	19001-16200	216000002-	Bushing	35 mm		TAK-19001-02413	10.99
	19001-16200	216000002-	Wear Ring		60 mm	TAK-19001-05226	8.30
BOOM	19001-16100	216000002-	P-U-10	35 mm	60 mm	TAK-19001-05299	102.85
	19001-16100	216000002-	Bushing	35 mm		TAK-19001-02413	10.99
	19001-16200	216000002-	Wear Ring		60 mm	TAK-19001-05226	8.30
BUCKET	19001-13700	216000002-	P-U-10	30 mm	50 mm	TAK-19001-13799	110.69
	19001-13700	216000002-	Bushing	30 mm		TAK-19001-05302	10.57
	19001-16000	216000002-	Wear Ring		50 mm	TAK-19000-61526	7.73
DOZER BLADE	19001-14100	216000002-	P-U-10	40 mm	70 mm	TAK-19001-14199	114.78
	19001-14100	216000002-	Bushing	40 mm		TAK-19001-02002	11.24
	19001-14100	216000002-	Wear Ring		70 mm	TAK-19000-97131	11.87
SWING	19001-16000	216000002-	P-U-10	35 mm	60 mm	TAK-19001-15999	117.68
	19001-16000	216000002-	Bushing	35 mm		TAK-19001-02413	10.99
	19001-16000	216000002-	Wear Ring		60 mm	TAK-19001-05226	8.30
MODEL TB230							
ANGLE BLADE	19001-02300	130000003-	P-U-10	30 mm	50 mm	TAK-19001-02399	104.05
	19001-02300	130000003-	Bushing	30 mm		TAK-19001-05302	10.57
	19001-02300	130000003-	Wear Ring		50 mm	TAK-19000-56928	7.73
ARM	19001-18000	130000003-	P-U-10	40 mm	70 mm	TAK-19000-93499	140.03
	19001-18000	130000003-	Bushing	40 mm		TAK-19001-02002	11.24
	19001-18000	130000003-	Wear Ring		70 mm	TAK-19000-97131	11.87
BOOM	19001-17900	130000003-	P-U-10	40 mm	75 mm	TAK-19001-06699	112.81
	19001-17900	130000003-	Bushing	40 mm		TAK-19001-02002	11.24
	19001-17900	130000003-	Wear Ring		75 mm	TAK-19001-04926	32.23
BUCKET	19000-77800	130000003-	I-U-14	35 mm	60 mm	TAK-19000-60699	133.33
	19000-77800	130000003-	Bushing	35 mm		TAK-13330-03525	9.90
	19000-77800	130000003-	Wear Ring		60 mm	TAK-14107-06008	8.74
DOZER BLADE	19001-18900	130000003-	P-U-10	45 mm	85 mm	TAK-19001-18999	179.08
	19001-18900	130000003-	Bushing	45 mm		TAK-19001-01702	20.75
	19001-18900	130000003-	Wear Ring		85 mm	TAK-19001-18926	8.86

TAKEUCHI

Replacement Kits For

TAKEUCHI

Excavators - Compact							
APPLICATION	CYL #	SERIAL #	CODE	ROD	BORE	KIT #	List \$
MODEL TB230							
SWING	19001-17600	130000003-	I-U-14	40 mm	75 mm	TAK-19001-05599	144.07
	19001-17600	130000003-	Bushing	40 mm		TAK-19001-05502	13.16
	19001-17600	130000003-	Wear Ring		75 mm	TAK-19001-05526	3.34
MODEL TB240							
ANGLE BLADE	19001-18400	124000003-	P-U-10	35 mm	60 mm	TAK-19001-18499	93.36
	19001-18400	124000003-	Bushing	35 mm		TAK-19001-02413	10.99
	19001-18400	124000003-	Wear Ring		60 mm	TAK-19001-05226	8.30
ARM	19001-18200	124000003-	P-U-10	45 mm	80 mm	TAK-19000-91499	64.47
	19001-18200	124000003-	Bushing	45 mm		TAK-19001-01702	20.75
	19001-18200	124000003-	Wear Ring		80 mm	TAK-19001-01726	8.67
BOOM	19001-18100	124000003-	P-U-10	50 mm	85 mm	TAK-19001-18199	143.81
	19001-18100	124000003-	Bushing	50 mm		TAK-19001-18113	19.67
BUCKET	19001-17800	124000003-	P-U-10	40 mm	70 mm	TAK-19000-91599	46.52
	19001-17800	124000003-	Bushing	40 mm		TAK-19001-02002	11.24
	19001-17800	124000003-	Wear Ring		70 mm	TAK-19000-97131	11.87
DOZER BLADE	19001-18300	124000003-	P-U-10	55 mm	105 mm	TAK-19001-18399	138.62
	19001-18300	124000003-	Bushing	55 mm		TAK-19001-03402	21.50
SWING	19001-17200	124000003-	P-U-10	45 mm	80 mm	TAK-19001-03599	131.76
	19001-17200	124000003-	Bushing	45 mm		TAK-19001-01702	20.75
	19001-17200	124000003-	Wear Ring		80 mm	TAK-19001-01726	8.67
MODEL TB250							
ARM	19001-02800	125000001-	P-U-10	50 mm	90 mm	TAK-19000-87999	73.67
	19001-02800	125000001-	Bushing	50 mm		TAK-19000-87913	19.67
	19001-02800	125000001-	Wear Ring		90 mm	TAK-19000-87926	8.67
	19001-02900	125000001-	P-U-10	50 mm	90 mm	TAK-19000-87999	73.67
	19001-02900	125000001-	Bushing	50 mm		TAK-19000-87913	19.67
	19001-02900	125000001-	Wear Ring		90 mm	TAK-19000-87926	8.67
BOOM	19000-93800	125000001-	P-U-10	55 mm	100 mm	TAK-19000-89099	69.56
	19000-93800	125000001-	Bushing	55 mm		TAK-19000-87813	21.50
	19000-93800	125000001-	Wear Ring		100 mm	TAK-19000-89525	9.05
BOOM (S/O VAVLE)	19001-02700	125000001-	P-U-10	55 mm	100 mm	TAK-19001-02799	123.54
	19001-02700	125000001-	Bushing	55 mm		TAK-19000-87813	21.50
	19001-02700	125000001-	Wear Ring		100 mm	TAK-19000-89525	9.05
BUCKET	19000-75800	125000001-	I-U-14	45 mm	80 mm	TAK-19000-75899	79.04
	19000-75800	125000001-	Bushing	45 mm		TAK-13330-04540	20.42
	19000-75800	125000001-	Wear Ring		80 mm	TAK-14108-10800	8.04
BUCKET (Breaker)	19001-07600	125000001-	I-U-14	45 mm	80 mm	TAK-19001-07699	144.08
	19001-07600	125000001-	Wear Ring		80 mm	TAK-19001-07626	7.93
DOZER BLADE	19000-77100	125000001-	I-U-14	60 mm	110 mm	TAK-19000-77199	72.95
	19000-77100	125000001-	Bushing	60 mm		TAK-13330-06040	29.16
	19000-77100	125000001-	Wear Ring		110 mm	TAK-14108-11100	24.30
SWING	19001-04600	125000001-	P-U-10	50 mm	90 mm	TAK-19000-83399	37.62
	19001-04600	125000001-	Bushing	50 mm		TAK-19001-02502	18.73
	19001-04600	125000001-	Wear Ring		90 mm	TAK-19000-47132	155.38
	19001-05700	125000295-	P-U-10	50 mm	90 mm	TAK-19001-05799	120.74
	19001-05700	125000295-	Bushing	50 mm		TAK-19001-02502	18.73
	19001-05700	125000295-	Wear Ring		90 mm	TAK-19000-47132	155.38
Loaders - Skid Steer							
APPLICATION	CYL #	SERIAL #	CODE	ROD	BORE	KIT #	List \$
MODEL TL8							
BUCKET (LH)	19000-81400	200800002-	P-U-10	35 mm	65 mm	TAK-19000-81399	80.18
BUCKET (RH)	19000-81300	200800002-	P-U-10	35 mm	65 mm	TAK-19000-81399	80.18
LIFT ARM	19000-81800	200800002-	P-U-10	40 mm	65 mm	TAK-19000-81899	53.61
QUICK HITCH	19001-00700	200800002-	I-U-10	25 mm	40 mm	TAK-19001-00799	86.03

TAKEUCHI

TAKEUCHI

Replacement Kits For

Loaders - Skid Steer

APPLICATION	CYL #	SERIAL #	CODE	ROD	BORE	KIT #	List \$
MODEL TL8R-2							
BUCKET (LH)	19001-32000	408000006-	P-U-10	35 mm	65 mm	TAK-19001-32099	111.66
BUCKET (RH)	19001-32100	408000006-	P-U-10	35 mm	65 mm	TAK-19001-32099	111.66
LIFT ARM	19001-31900	408000006-	P-U-10	40 mm	65 mm	TAK-19001-31999	108.48
QUICK HITCH	19001-32300	408000006-	I-U-10	25 mm	40 mm	TAK-19001-32399	62.70
MODEL TL10							
BUCKET (LH)	19000-85800	201000002-	P-U-10	40 mm	70 mm	TAK-19000-77499	72.77
BUCKET (RH)	19000-85700	201000002-	P-U-10	40 mm	70 mm	TAK-19000-77499	72.77
LIFT ARM	19000-85600	201000002-	P-U-10	40 mm	70 mm	TAK-19000-85699	88.64
QUICK HITCH	19001-00700	201000002-	I-U-10	25 mm	40 mm	TAK-19001-00799	86.03
MODEL TL10V2							
BUCKET (LH)	19001-20700	410000003-	P-U-10	40 mm	70 mm	TAK-19001-20799	143.35
BUCKET (RH)	19001-20800	410000003-	P-U-10	40 mm	70 mm	TAK-19001-20799	143.35
LIFT ARM	19001-20900	410000003-	P-U-10	55 mm	95 mm	TAK-19001-20999	194.30
QUICK HITCH	19001-20500	410000003-410000033	I-U-10	25 mm	40 mm	TAK-19001-00799	86.03
	19001-20500	410000034-410004104	I-U-10	25 mm	40 mm	TAK-19001-20599	45.01
	19001-32400	410004105-	I-U-10	25 mm	40 mm	TAK-19001-32399	62.70
MODEL TL12							
BUCKET (LH)	19000-79800	201200003-	P-U-10	40 mm	75 mm	TAK-19000-79799	110.15
BUCKET (RH)	19000-79700	201200003-	P-U-10	40 mm	75 mm	TAK-19000-79799	110.15
LIFT ARM	19000-80700	201200003-	P-U-10	45 mm	75 mm	TAK-19000-79699	161.78
QUICK HITCH	19001-00700	201200003-	I-U-10	25 mm	40 mm	TAK-19001-00799	86.03
MODEL TL12R2							
BUCKET (LH)	19001-20300	412100002-	P-U-10	45 mm	75 mm	TAK-19001-04999	97.13
BUCKET (RH)	19001-20400	412100002-	P-U-10	45 mm	75 mm	TAK-19001-04999	97.13
LIFT ARM	19001-20600	412100002-	P-U-10	45 mm	75 mm	TAK-19001-20699	158.67
QUICK HITCH	19001-20500	412100002-412102837	I-U-10	25 mm	40 mm	TAK-19001-20599	45.01
	19001-32400	412102838-	I-U-10	25 mm	40 mm	TAK-19001-32399	62.70
MODEL TL12V2							
BUCKET (LH)	19001-20300	412000006-	P-U-10	45 mm	75 mm	TAK-19001-04999	97.13
BUCKET (RH)	19001-20400	412000006-	P-U-10	45 mm	75 mm	TAK-19001-04999	97.13
QUICK HITCH	19001-00700	412000006-412000518	I-U-10	25 mm	40 mm	TAK-19001-00799	86.03
	19001-20500	412000519-412003188	I-U-10	25 mm	40 mm	TAK-19001-20599	45.01
	19001-32400	412003189-	I-U-10	25 mm	40 mm	TAK-19001-32399	62.70

TAKEUCHI

REPLACEMENT KITS FOR TAKEUCHI EXCAVATORS

TAKEUCHI

Kit Number	Code (Pg. xiv)	Rod X Bore Size	List Price
TAK-03315-06199	P-08-1	35 mm Rod Kit	\$37.09
TAK-03515-04299	P-08-1	40 mm Rod Kit	23.75
TAK-03715-01599	P-08-1	45 mm Rod Kit	19.07
TAK-03915-04199	P-08-1	50 mm Rod Kit	30.76
TAK-19000-00199	P-U-5	45 X 80 mm	92.59
TAK-19000-00399	P-U-5	35 X 60 mm	64.43
TAK-19000-00599	P-U-5	40 X 70 mm	65.81
TAK-19000-02400SK	I-U-10	1-1/2 X 2-1/4	66.94
TAK-19000-02699	P-U-5	35 X 70 mm	80.95
TAK-19000-02900SK	I-U-10	1-3/4 X 3	74.47
TAK-19000-04599	P-U-5	45 X 80 mm	124.59
TAK-19000-04799	P-U-5	55 X 95 mm	113.39
TAK-19000-04899	P-U-5	50 X 90 mm	127.95
TAK-19000-04999	P-U-5	45 X 80 mm	106.86
TAK-19000-05099	P-U-5	45 X 80 mm	152.83
TAK-19000-05199	P-U-5	40 X 70 mm	115.97
TAK-19000-09599	P-U-5	45 X 85 mm	111.61
TAK-19000-09899	P-U-5	35 X 60 mm	90.92
TAK-19000-09999	I,P-U-5	35 X 60 mm	102.27
TAK-19000-10599	P-U-5	50 X 90 mm	102.98
TAK-19000-11199	P-U-5	40 X 63 mm	117.77
TAK-19000-11299	P-U-5	40 X 70 mm	117.87
TAK-19000-11899	P-U-5	35 X 65 mm	115.83
TAK-19000-12199	P-U-5	50 X 85 mm	137.46
TAK-19000-12299	P-U-5	40 X 70 mm	80.57
TAK-19000-13499	P-U-5	45 X 75 mm	196.40
TAK-19000-16199	P-U-5	55 X 85 mm	162.48
TAK-19000-16399	P-U-5	55 X 90 mm	171.13
TAK-19000-16499	P-U-5	60 X 100 mm	194.84
TAK-19000-19699	P-U-5	65 X 105 mm	210.20
TAK-19000-24599	P-U-5	40 X 70 mm	128.05
TAK-19000-27399	P-U-5	53 X 100 mm	287.57
TAK-19000-30599	P-U-5	45 X 75 mm	137.62
TAK-19000-30699	P-U-5	45 X 75 mm	167.46
TAK-19000-37799	I-U-5	40 X 60 mm	82.82
TAK-19000-39199	P-U-5	50 X 80 mm	187.78
TAK-19000-43899	P-U-14	40 X 75 mm	145.42
TAK-19000-43999	I-U-14	40 X 70 mm	133.09
TAK-19000-44099	I-U-14	35 X 60 mm	118.87
TAK-19000-44299	I-U-14	45 X 85 mm	153.94
TAK-19000-46199	I-U-14	40 X 75 mm	182.25
TAK-19000-47195	P-U-10	50 X 90 mm	103.28
TAK-19000-47295	P-U-10	45 X 80 mm	95.71
TAK-19000-47695	P-U-10	55 X 100 mm	117.99
TAK-19000-51699	P-U-10	35 X 65mm	143.24
TAK-19000-51899	P-U-10	35 X 63 mm	117.98
TAK-19000-51999	P-U-10	30 X 55 mm	97.40
TAK-19000-52099	P-U-10	40 X 70 mm	133.66
TAK-19000-53399	P-U-10	35 X 60 mm	108.17
TAK-19000-53499	P-U-10	30 X 55 mm	117.24
TAK-19000-54199	P-U-10	45 X 80 mm	117.24
TAK-19000-54399	P-U-10	40 X 75 mm	110.15
TAK-19000-54499	P-U-10	35 X 65 mm	70.49
TAK-19000-54799	P-U-10	45 X 85 mm	109.00
TAK-19000-54999	P-U-10	45 X 80 mm	100.03
TAK-19000-55099	P-U-10	40 X 70 mm	50.15

Kit Number	Code (Pg. xiv)	Rod X Bore Size	List Price
TAK-19000-55199	P-U-10	55 X 100 mm	\$150.50
TAK-19000-56999	P-U-10	25 X 50 mm	98.45
TAK-19000-57199	P-U-10	25 X 50 mm	87.13
TAK-19000-58099	P-U-10	30 X 55 mm	104.94
TAK-19000-58199	P-U-10	40 X 65 mm	114.62
TAK-19000-60699	I-U-14	35 X 60 mm	133.33
TAK-19000-61299	P-U-10	30 X 55 mm	99.67
TAK-19000-61599	P-U-10	30 X 50 mm	93.26
TAK-19000-62099	P-U-10	40 X 65 mm	103.64
TAK-19000-62699	P-U-13	25 X 40 mm	107.13
TAK-19000-63499	P-UB-10	65 X 95 mm	230.48
TAK-19000-63599	P-UB-10	55 X 85 mm	162.17
TAK-19000-63699	P-UB-10	75 X 120 mm	275.53
TAK-19000-63799	P-UB-10	60 X 100 mm	194.85
TAK-19000-63999	P-U-1	60 X 110 mm	121.04
TAK-19000-65199	P-UB-10	55 X 80 mm	194.58
TAK-19000-70399	P-U-10	35 X 63 mm	30.55
TAK-19000-70499	P-U-10	30 X 55 mm	79.15
TAK-19000-70599	P-U-10	35 X 60 mm	120.75
TAK-19000-72299	P-U-10	30 X 50 mm	89.20
TAK-19000-75599	P-U-10	45 X 80 mm	30.97
TAK-19000-75699	I-U-14	55 X 110 mm	206.59
TAK-19000-75799	I-UB-14	50 X 90 mm	201.46
TAK-19000-76399	P-UB-10	65 X 95 mm	168.18
TAK-19000-77199	I-U-14	60 X 110 mm	72.95
TAK-19000-77299	P-U-10	45 X 85 mm	36.33
TAK-19000-77399	P-U-10	45 X 80 mm	29.64
TAK-19000-77499	P-U-10	40 X 70 mm	72.77
TAK-19000-77999	P-U-10	40 X 70 mm	60.37
TAK-19000-78299	P-U-10	45 X 85 mm	124.08
TAK-19000-78999	P-UB-10	55 X 80 mm	167.56
TAK-19000-79399	P-UB-10	75 X 120 mm	242.96
TAK-19000-79499	P-UB-10	60 X 100 mm	174.92
TAK-19000-80599	I-U-14	55 X 100 mm	63.17
TAK-19000-81399	P-U-10	35 X 65 mm	80.18
TAK-19000-81599	P-U-10	50 X 90 mm	124.83
TAK-19000-81899	P-U-10	40 X 65 mm	53.61
TAK-19000-83399	P-U-10	50 X 90 mm	37.62
TAK-19000-85699	P-U-10	40 X 70 mm	88.64
TAK-19000-86699	P-U-10	50 X 90 mm	73.58
TAK-19000-86899	P-UB-10	70 X 120 mm	72.88
TAK-19000-86999	P-UB-10	65 X 100 mm	43.06
TAK-19000-87099	P-UB-10	55 X 90 mm	43.02
TAK-19000-87299	P-U-10	25 X 50 mm	33.27
TAK-19000-87499	P-U-10	30 X 55 mm	38.76
TAK-19000-87899	P-U-10	55 X 100 mm	86.04
TAK-19000-87999	P-U-10	50 X 90 mm	73.67
TAK-19000-89599	P-UB-10	70 X 100 mm	134.75
TAK-19000-91199	P-UB-10	75 X 120 mm	68.17
TAK-19000-91299	P-UB-10	60 X 100 mm	78.83
TAK-19000-91499	P-U-10	45 X 80 mm	64.47
TAK-19000-91599	P-U-10	40 X 70 mm	46.52
TAK-19000-91699	P-U-10	45 X 80 mm	35.77
TAK-19000-91799	P-U-10	55 X 100 mm	65.07
TAK-19000-92299	P-U-10	60 X 110 mm	66.98
TAK-19000-92399	P-U-10	55 X 100 mm	58.82

REPLACEMENT KITS FOR TAKEUCHI EXCAVATORS

Kit Number	Code (Pg. xiv)	Rod X Bore Size	List Price
TAK-19000-93499	P-U-10	40 X 70 mm	\$125.03
TAK-19001-00099	P-UB-10	55 X 80 mm	89.23
TAK-19001-02799	P-U-10	55 x 100 mm	123.54
TAK-19001-00299	P-UB-10	65 X 95 mm	122.56
TAK-19001-03599	P-U-10	45 x 80 mm	131.76
TAK-19001-00399	P-UB-10	55 X 85 mm	76.52
TAK-19001-00499	P-U-10	50 X 90 mm	65.70
TAK-19001-00799	I-U-10	25 X 40 mm	43.33
TAK-19001-02399	P-U-10	30 X 50 mm	92.90
TAK-19001-04999	P-U-10	45 x 75 mm	97.13
TAK-19001-05299	P-U-10	35 X 60 mm	91.83
TAK-19001-05599	I-U-14	40 X 75 mm	128.63
TAK-19001-05799	P-U-10	50 x 90 mm	120.74
TAK-19001-06699	P-U-10	40 X 75 mm	100.72
TAK-19001-07699	I-U-14	45 x 80 mm	144.08
TAK-19001-13799	P-U-10	30 X 50 mm	98.83
TAK-19001-14199	P-U-10	40 X 70 mm	102.48

Kit Number	Code (Pg. xiv)	Rod X Bore Size	List Price
TAK-19001-15999	P-U-10	35 X 60 mm	\$117.68
TAK-19001-17999	P-U-10	40 X 75 mm	112.81
TAK-19001-18199	P-U-10	50 x 85 mm	143.81
TAK-19001-18399	P-U-10	55 x 105 mm	138.62
TAK-19001-18499	P-U-10	35 x 60 mm	93.36
TAK-19001-18999	P-U-10	45 X 85 mm	179.08
TAK-19001-20599	I-U-10	25 X 40 mm	45.01
TAK-19001-20699	P-U-10	45 x 75 mm	158.67
TAK-19001-20799	P-U-10	40 x 70 mm	143.35
TAK-19001-20999	P-U-10	55 x 95 mm	194.30
TAK-19001-31999	P-U-10	40 x 65 mm	108.48
TAK-19001-32099	P-U-10	35 x 65 mm	111.66
TAK-19001-32399	I-U-10	25 x 40 mm	62.70
TAK-19017-07699	I-U-14	45 x 80 mm	144.08
TAK-19017-30599	O-RING KIT		1.51
TAK-19029-03199	O-RING KIT		3.63

REPLACEMENT PARTS FOR TAKEUCHI EQUIPMENT

NOTE: Takeuchi part numbers are used as a reference only. We do not imply that these kits are original REPLACEMENT PARTS.

BACK-UP RINGS

Part Number	Min Pkg Qty	List Price
TAK-14112-45353	1	\$35.35
TAK-14211-30450	1	6.14
TAK-14211-30550	1	6.23
TAK-14211-30700	1	10.17
TAK-14211-30750	1	10.40
TAK-14211-30850	1	3.15
TAK-14112-61453	1	19.30
TAK-19000-62231	1	12.96
TAK-19000-63728	1	3.70
TAK-19000-78927	1	13.66
TAK-19000-79227	1	13.87
TAK-19000-83527	1	2.55
TAK-19000-86928	1	2.31
TAK-19000-88627	1	2.03
TAK-19000-88727	1	2.14
TAK-19000-91027	1	2.93
TAK-19000-92227	1	2.40
TAK-19000-95127	1	18.31
TAK-19001-02327	1	12.96
TAK-19001-05027	1	1.98
TAK-19001-05227	1	1.99
TAK-19001-05527	1	17.34
TAK-19001-18327	1	2.13

O-RINGS

Part Number	Min Pkg Qty	List Price
TAK-14201-01000	5	\$2.81
TAK-14201-01050	5	3.62
TAK-14201-01100	5	3.49
TAK-14201-10350	20	0.90
TAK-14201-10600	5	2.51
TAK-14201-10650	5	2.49
TAK-14201-10700	5	2.52
TAK-14201-10750	5	9.70
TAK-14201-10800	5	3.06
TAK-14201-10850	5	3.15
TAK-14201-10900	5	3.18
TAK-14201-10950	5	3.25
TAK-14201-11000	5	3.55
TAK-14201-11050	5	3.62
TAK-14200-10450	10	1.98
TAK-14201-10450	10	1.98
TAK-14201-10500	10	2.09
TAK-14201-10550	10	2.18
TAK-14200-10240	20	1.00
TAK-14201-10300	20	0.74
TAK-14205-00500	20	0.91

FORMERLY LISTED REPAIR PARTS ARE AVAILABLE ONLINE AT WWW.HERCULESCA.CA
OR BY CONTACTING YOUR REGIONAL HERCULES SALES TEAM.

REPLACEMENT PARTS FOR TAKEUCHI EQUIPMENT

NOTE: Takeuchi part numbers are used as a reference only. We do not imply that these kits are original REPLACEMENT PARTS.

PISTON SEALS

Part Number	Bore Dia.	List Price
TAK-19000-56931	50 mm	\$36.18
TAK-14102-20600	60 mm	59.00
TAK-19000-53331	60 mm	39.56
TAK-19000-51132	70 mm	42.17
TAK-14102-20750	75 mm	57.22
TAK-14102-20800	80 mm	64.14
TAK-19000-47231	80 mm	42.97
TAK-19000-50932	85 mm	44.20
TAK-19000-47131	90 mm	46.67
TAK-19000-47031	100 mm	43.58
TAK-19001-18332	105 mm	48.34
TAK-19000-47431	110 mm	64.02

ROD U-SEALS

Part Number	Rod Dia.	List Price
TAK-19001-05332	30 mm	\$13.76
TAK-14105-35458	35 mm	21.87
TAK-19000-51631	35 mm	15.60
TAK-19000-95108	35 mm	10.54
TAK-14105-40562	40 mm	17.54
TAK-19000-05612	40 mm	20.69
TAK-19000-05912	45 mm	15.80
TAK-14105-45612	45 mm	15.67
TAK-19000-05812	50 mm	22.29
TAK-19000-47033	55 mm	22.47
TAK-19000-47433	60 mm	24.49

ROD BUSHINGS

Part Number	Rod Dia.	List Price
TAK-19001-05302	30 mm	\$10.57
TAK-13330-03525	35 mm	9.90
TAK-19001-02413	35 mm	10.99
TAK-19000-88620	40 mm	11.24
TAK-19001-02002	40 mm	11.24
TAK-19001-05502	40 mm	13.16
TAK-13330-04525	45 mm	20.75
TAK-13330-04540	45 mm	20.42
TAK-19001-01702	45 mm	20.75
TAK-13330-05030	50 mm	18.73
TAK-19000-87913	50 mm	19.67
TAK-19001-18113	50 mm	19.67
TAK-19001-02502	50 mm	18.73
TAK-19001-03402	55 mm	21.50
TAK-19000-47019	55 mm	21.50
TAK-19000-87813	55 mm	21.50
TAK-13330-06040	60 mm	29.16
TAK-19000-92202	60 mm	22.48

WIPERS

Part Number	Rod Dia.	List Price
TAK-19000-73733	30 mm	\$21.15
TAK-19000-73533	35 mm	22.30
TAK-19000-88433	35 mm	9.59
TAK-19000-73033	40 mm	27.26
TAK-19000-84133	40 mm	9.59
TAK-14115-00450	45 mm	7.56
TAK-19000-75133	45 mm	29.59
TAK-19000-73933	50 mm	29.96
TAK-19000-70831	55 mm	35.68
TAK-19000-71532	60 mm	38.67

REPLACEMENT KITS FOR TAKEUCHI EXCAVATORS

WEAR RINGS

Part Number	Rod X Bore Size	List Price
TAK-19000-56928	50 x 6 mm	\$7.73
TAK-19000-61526	50 x 6 mm	7.73
TAK-19001-05226	60 x 5.9 mm	8.30
TAK-14107-06008	60 x 7.8 mm	8.74
TAK-19000-51131	70 X 12 mm	82.07
TAK-19000-88626	70 X 6.2 mm	11.87
TAK-19000-97131	70 X 6.2 mm	11.87
TAK-19001-04926	75 x 6.2 mm	32.23
TAK-19001-05526	75 x 9.8 mm	3.34
TAK-19001-01726	80 X 5.9 mm	8.67
TAK-19000-90626	80 X 6.2 mm	13.69
TAK-19001-07626	80 X 9.7 mm	7.93
TAK-14108-10800	80 x 10 mm	8.04

WEAR RINGS

Part Number	Rod X Bore Size	List Price
TAK-19000-47232	80 X 11.8 mm	\$127.22
TAK-19000-50931	85 X 15 mm	144.24
TAK-19001-18126	85 x 5.9 mm	8.86
TAK-19000-47132	90 x 14.8 mm	155.38
TAK-19000-87926	90 x 5.9 mm	8.67
TAK-19000-89525	100 x 5.9 mm	9.05
TAK-19000-86926	100 X 6.2 mm	17.64
TAK-19000-47032	100 X 14.8 mm	157.67
TAK-19001-18326	105 X 5.9 mm	9.23
TAK-19000-91824	110 x 7.9 mm	9.43
TAK-14108-11100	110 x 15 mm	24.30

Replacement Kits For

TCM

Loaders - Wheel

APPLICATION	CODE	ROD	BORE	Bearings Needed	KIT #	List \$
MODEL 720, 860						
BOOM	P-UB-10	75 mm	140 mm	MDU-75X80X30	TCM-26508-47011	370.66
BUCKET	P-UB-10	95 mm	190 mm	MDU-95X100X30	TCM-26608-57011	505.05
STEERING	P-UB-10	40 mm	80 mm		TCM-26604-57001	200.32
MODEL 870						
BUCKET	P-UB-10	95 mm	170 mm		TCM-26708-47001	701.79

REPLACEMENT KITS FOR TCM CONSTRUCTION EQUIPMENT

Kit Number	Code (Pg. xiv)	Rod X Bore Size	List Price
TCM-234A8-59801	P-U-10	30 X 70 mm	\$111.68
TCM-25784-59803	P-U-10	30 X 70 mm	55.51
TCM-23918-59823	P-U-5	40 X 100 mm	217.00
TCM-26604-57001	P-UB-10	40 X 80 mm	200.32
TCM-24328-59815	P-U-5	50 X 100 mm	241.84

Kit Number	Code (Pg. xiv)	Rod X Bore Size	List Price
TCM-24358-59803	P-U-5	50 X 100 mm	\$242.35
TCM-26438-57001	P-UB-10	70 X 130 mm	417.22
TCM-26508-47011	P-UB-10	75 X 140 mm	370.66
TCM-26708-47001	P-UB-10	95 X 170 mm	701.79
TCM-26608-57011	P-UB-10	95 X 190 mm	505.05

REPLACEMENT KITS FOR TCM LIFT TRUCKS

TCM

Kit Number	Code (Pg. xiv)	Rod X Bore Size	List Price
TCM-25594-59802	P-U-10	22 X 50 mm	\$85.02
TCM-214A4-59801	P-U-10	25 X 50 mm	72.82
TCM-20804-59801	P-U-10	25 X 60 mm	77.01
TCM-23654-52201	I-U-10	25 X 60 mm	61.67
TCM-25954-59802	P-U-10	25 X 60 mm	61.35
TCM-24248-59802	P-U-5	30 X 63 mm	196.25
TCM-24248-59807	P-U-5	30 X 63 mm	135.21
TCM-277H8-59802	P-U-5	30 X 63 mm	135.47
TCM-234A8-59805	P-U-5	30 X 71 mm	148.53
TCM-27390-59902	P-U-1	32 mm Rod Kit	143.30
TCM-510F0-59801	P-U-1	32 X 45 mm	122.67
TCM-23658-59811	P-U-5	32 X 70 mm	152.03
TCM-23658-59813	P-U-5	32 X 70 mm	152.03
TCM-214A8-59801	P-U-5	32 X 71 mm	204.15
TCM-23678-59801	P-U-5	32 X 71 mm	138.24
TCM-24458-59812	P-U-10	32 X 71 mm	215.82
TCM-22678-59801	P-U-5	32 X 80 mm	117.34
TCM-210F0-89804	P-U-4	35 X 45 mm	141.26
TCM-214A0-59821	P-U-1	35 X 45 mm	86.49
TCM-23650-59801	P-U-1	35 X 45 mm	102.52
TCM-23650-59802	P-U-1	35 X 45 mm	79.83
TCM-24239-49804	P-U-1	35 X 45 mm	105.87
TCM-210F8-49804	P-U-4	35 X 46 mm	98.11
TCM-24239-49801	P-N-4	38 X 45 mm	107.64
TCM-23650-89841	P-U-1	40 mm	67.77
TCM-214A0-89804	P-U-4	40 X 50 mm	98.85
TCM-214A8-49804	P-U-4	40 X 50 mm	114.54
TCM-214A8-49812	P-U-4	40 X 50 mm	119.94
TCM-214J0-59812	P-U-1	40 X 50 mm	115.84
TCM-234A8-49803	P-U-4	40 X 50 mm	83.01
TCM-23650-89802	P-U-1	40 X 50 mm	99.23
TCM-23650-89803	P-N-4	40 X 50 mm	85.20
TCM-510F2-40601	P-U-10	40 X 70 mm	318.43
TCM-22438-59804	P-U-5	40 X 90 mm	223.13

Kit Number	Code (Pg. xiv)	Rod X Bore Size	List Price
TCM-214J8-49804	P-U-4	45 X 55 mm	\$115.60
TCM-234F8-49801	P-U-4	45 X 55 mm	89.12
TCM-24450-89823	P-N-4	45 X 55 mm	101.09
TCM-24469-49803	P-U-4	45 X 55 mm	69.83
TCM-22578-49801	P-N-4	45 X 63 mm	139.54
TCM-22580-89801	P-N-4	45 X 70 mm	98.85
TCM-24328-59804	P-U-5	50 X 100 mm	223.84
TCM-214T0-89811	P-U-4	50 X 60 mm	150.57
TCM-214T8-49801	P-U-4	50 X 60 mm	144.25
TCM-24600-89902	P-U-1	50 X 60 mm	198.43
TCM-224T8-49803	P-U-1	50 X 65 mm	123.35
TCM-27248-49801	P-N-4	50 X 80 mm	124.07
TCM-514A2-40552	P-U-10	50 X 80 mm	333.47
TCM-514A2-40554	P-U-10	50 X 80 mm	262.14
TCM-23460-89801	P-N-4	50 X 90 mm	110.91
TCM-24608-59803	P-U-10	50 X 90 mm	197.77
TCM-22438-49811	P-N-4	60 X 90 mm	137.56
TCM-22438-49812	P-N-4	60 X 90 mm	66.42
TCM-24240-89801	P-U-1	70 X 80 mm	89.37
TCM-27390-59801	P-U-10	70 X 80 mm	178.27
TCM-27410-89811	P-U-1	75 mm	82.77
TCM-214A0-59801	P-U-10	75 X 90 mm	164.30
TCM-23650-89822	P-U-1	75 X 90 mm	154.56
TCM-24450-89803	P-U-1	85 mm	100.64
TCM-27830-89802	P-U-10	85 X 100 mm	218.48
TCM-228C0-59801	P-U-I	112 X 130 mm	475.89
TCM-26094-17161	VALVE KIT		13.02
TCM-514A2-42631	VALVE KIT		13.29
TCM-52486-09811	VALVE KIT		31.09

PISTON SEALS FOR TCM EQUIPMENT

Part Number	Bore Diam.	List Price
TCM-24458-50311	71 mm	\$30.74

TEREX

Replacement Kits For

Backhoe Loaders						
APPLICATION	CYL #	CODE	ROD	BORE	KIT #	List \$
MODEL TX760B						
SWING		P-UB-10	45 mm	90 mm	TX-3623368M91	232.87
Excavators						
APPLICATION	CYL #	CODE	ROD	BORE	KIT #	List \$
MODEL RH90-C						
BH BUCKET	2160727	I-U-10	160 mm	220 mm	TX-2160727K	2457.13
BH STICK	2160796	I-UB-10	180 mm	250 mm	TX-2160796K	3184.21
FS BUCKET	2244809	I-UB-10	140 mm	180 mm	TX-2244809K	1732.81
FS CLAM	4525818	I-UB-10	80 mm	150 mm	TX-4525818	1186.37
FS STICK	2160739	I-UB-10	150 mm	200 mm	TX-2160739K	2136.01
MODEL RH120-E						
BH BOOM	2766930	I-UB-10	200 mm	300 mm	TX-2766975	7830.41
BH BUCKET	3677250	I-UB-10	160 mm	220 mm	TX-2766978	6371.14
BH STICK	3650864	I-UB-10	200 mm	280 mm	TX-2766982	7417.18
Off-Highway Trucks						
APPLICATION	CYL #	CODE	ROD	BORE	KIT #	List \$
MODEL 3305AA						
BODY	9019954	I-U-12	5-1/4,6-3/4	6,7-1/2	TX-15050416	290.64
MODEL 3305B						
BODY	15232133	I-U-12	5-1/4,6-3/4	6,7-1/2	TX-15050416	290.64
	9019954	I-U-12	5-1/4,6-3/4	6,7-1/2	TX-15050416	290.64
MODEL 3307						
BODY	15232133	I-U-12	5-1/4,6-3/4	6,7-1/2	TX-15050416	290.64
	9019954	I-U-12	5-1/4,6-3/4	6,7-1/2	TX-15050416	290.64
MODEL 3307D						
BODY	9019954	I-U-12	5-1/4,6-3/4	6,7-1/2	TX-15050416	290.64
MODEL 3308E						
BODY	15232133	I-U-12	5-1/4,6-3/4	6,7-1/2	TX-15050416	290.64
MODEL 3407						
BODY	9019954	I-U-12	5-1/4,6-3/4	6,7-1/2	TX-15050416	290.64
MODEL TR100						
FRONT RIDE	15250974	I-U-1	9		TX-9396484	2478.44
HOIST	15227019	I-U-12	5-1/2, 8-1/4	7-1/2, 9	TX-15265278	573.84
REAR RIDE	9079698	I-SP-1	10-1/2		TX-15050414	152.17
STEERING	15307881	P-U-10	50 mm	110 mm	TX-15274213	81.62
	15307881	P-U-10	50 mm	110 mm	TX-15274213	81.62
	15318033	P-U-10	50 mm	110 mm	TX-15500961	122.89
Scrapers						
APPLICATION	CYL #	CODE	ROD	BORE	KIT #	List \$
MODEL S23E						
STEERING	9066953	P-V-12	2-1/2	5-1/2	TX-15050390	178.72
	9066954	P-V-12	2-1/2	5-1/2	TX-15050390	178.72
MODEL S24						
APRON / EJECTOR	9217579	P-V-1	7-15/16	9-1/8	TX-15050409	481.34
BOWL	9217584	P-V-1	7-15/16	9-1/8	TX-15050409	481.34
STEERING	9062928	P-V-12	3	7	TX-15050396	212.22
MODEL S24B						
APRON	15014766	I-V-12	2-1/2	6-1/4	TX-15050394	129.81
	15016260	I-V-12	2-1/2	6-1/4	TX-15050394	129.81
BOWL	9272694	P-U-10	3-1/2	8	TX-15050399	269.30
EJECTOR	15015718	I-SP-12	4-1/2,6,7-1/2	5-1/4,6-3/4,8-1/2	TX-15050415	835.77
RIDE	9062425	I,P-U-12	7	8	TX-15050406	531.24
STEERING	15005121	P-V-12	3	7	TX-15050396	212.22
	15009641	P-V-12	3	7	TX-15050396	212.22
MODEL S24C						
APRON	15014766	I-V-12	2-1/2	6-1/4	TX-15050394	129.81
	15016260	I-V-12	2-1/2	6-1/4	TX-15050394	129.81

TEREX

TEREX

Replacement Kits For

Scrapers							
APPLICATION	CYL #	CODE	ROD	BORE	KIT #	List \$	
MODEL S24C							
BOWL	9272694	P-U-10	3-1/2	8	TX-15050399	269.30	
EJECTOR	15015718	I-SP-12	4-1/2,6,7-1/2	5-1/4,6-3/4,8-1/2	TX-15050415	835.77	
STEERING	15005121	P-V-12	3	7	TX-15050396	212.22	
	15009641	P-V-12	3	7	TX-15050396	212.22	
MODEL TS14							
APRON / EJECTOR	9217579	P-V-1	7-15/16	9-1/8	TX-15050409	481.34	
BOWL	9005146	P-V-1	7-15/16	9-1/8	TX-15050409	481.34	
	9217584	P-V-1	7-15/16	9-1/8	TX-15050409	481.34	
MODEL TS14B							
APRON / EJECTOR	9217579	P-V-1	7-15/16	9-1/8	TX-15050409	481.34	
BOWL	9005146	P-V-1	7-15/16	9-1/8	TX-15050409	481.34	
STEERING	9066951	P-V-12	2-1/2	5-1/2	TX-15050390	178.72	
	9066952	P-V-12	2-1/2	5-1/2	TX-15050390	178.72	
	9382500	P-U-12	2-1/2	5-1/2	TX-9397201	468.21	
	9382501	P-U-12	2-1/2	5-1/2	TX-9397201	468.21	
MODEL TS14C							
APRON / EJECTOR	9217579	P-V-1	7-15/16	9-1/8	TX-15050409	481.34	
BOWL	15007421	P-U-10	3-1/2	8	TX-15050399	269.30	
STEERING	9382500	P-U-12	2-1/2	5-1/2	TX-9397201	468.21	
	9382501	P-U-12	2-1/2	5-1/2	TX-9397201	468.21	
MODEL TS18A							
APRON	9217579	P-V-1	7-15/16	9-1/8	TX-15050409	481.34	
MODEL TS24							
APRON / EJECTOR	9217579	P-V-1	7-15/16	9-1/8	TX-15050409	481.34	
BOWL	9217584	P-V-1	7-15/16	9-1/8	TX-15050409	481.34	
STEERING	15009641	P-V-12	3	7	TX-15050396	212.22	
	9062928	P-V-12	3	7	TX-15050396	212.22	
MODEL TS24A							
APRON	15014766	I-V-12	2-1/2	6-1/4	TX-15050394	129.81	
	15016260	I-V-12	2-1/2	6-1/4	TX-15050394	129.81	
	15016261	I-V-12	2-1/2	6-1/4	TX-15050394	129.81	
STEERING	15005121	P-V-12	3	7	TX-15050396	212.22	
	15009641	P-V-12	3	7	TX-15050396	212.22	
	9062928	P-V-12	3	7	TX-15050396	212.22	
MODEL TS24B							
APRON	15014766	I-V-12	2-1/2	6-1/4	TX-15050394	129.81	
	15016260	I-V-12	2-1/2	6-1/4	TX-15050394	129.81	
BOWL	9272694	P-U-10	3-1/2	8	TX-15050399	269.30	
EJECTOR	15015718	I-SP-12	4-1/2,6,7-1/2	5-1/4,6-3/4,8-1/2	TX-15050415	835.77	
RIDE	9062425	I,P-U-12	7	8	TX-15050406	531.24	
STEERING	15005121	P-V-12	3	7	TX-15050396	212.22	
	15009641	P-V-12	3	7	TX-15050396	212.22	
	9062928	P-V-12	3	7	TX-15050396	212.22	
MODEL TS24C							
APRON	15014766	I-V-12	2-1/2	6-1/4	TX-15050394	129.81	
	15016260	I-V-12	2-1/2	6-1/4	TX-15050394	129.81	
BOWL	9272694	P-U-10	3-1/2	8	TX-15050399	269.30	
EJECTOR	15015718	I-SP-12	4-1/2,6,7-1/2	5-1/4,6-3/4,8-1/2	TX-15050415	835.77	
STEERING	15005121	P-V-12	3	7	TX-15050396	212.22	
	15009641	P-V-12	3	7	TX-15050396	212.22	

TEREX

REPLACEMENT KITS FOR TEREX EQUIPMENT

Kit Number	Code (Pg. xiv)	Rod X Bore Size	List Price
TX-085004401M91	P-UB-10	65 X 100 mm	\$227.37
TX-15050390	P-V-12	2-1/2 X 5-1/2	178.72
TX-15050394	I-V-12	2-1/2 X 6-1/4	129.81
TX-15050396	P-V-12	3 X 7	212.22
TX-15050399	P-U-10	3-1/2 X 8	269.30
TX-15050406	I,P-U-12	7 X 8	531.24
TX-15050409	P-V-1	7.925 Rod Kit	481.34
TX-15050414	I-SP-1	10-1/2	152.17
TX-15050415	I-SP-12	4-1/2, 6, 7-1/2 Stages	835.77
TX-15050416	I-U-12	5-1/4, 6-3/4 Stages	290.64
TX-15265278	I-U-12	5-1/2, 8-1/4	573.84
TX-3623368M91	P-UB-10	45 X 90 mm	232.87
TX-15274213	P-U-10	50 X 110 mm	81.62
TX-15500915	P-U-10	63 X 110 mm	77.53
TX-15500926	P-U-10	80 X 125 mm	111.68
TX-15500961	P-U-10	50 X 110 mm	122.89
TX-15921417	Valve Kit		21.10
TX-181976999248	I-U-10,12	50 X 70 mm	213.49
TX-2160727K	I-U-10	160 X 220 mm	2457.13
TX-2160739K	I-UB-10	150 X 200 mm	2136.01

Kit Number	Code (Pg. xiv)	Rod X Bore Size	List Price
TX-2160796K	I-UB-10	180 X 250 mm	\$3184.21
TX-2244809K	I-UB-10	140 X 180 mm	1732.81
TX-226761	I-UB-14	8 X 10	625.21
TX-26890165	I-U-10	1-3/4 X 2-1/2	50.86
TX-2766975	I-UB-10	200 X 300 mm	7830.41
TX-2766978	I-UB-10	160 X 220 mm	6371.14
TX-2766982	I-UB-10	200 X 280 mm	7417.18
TX-3307F	I-U-1	7" Rod Front Suspension	181.89
TX-3307R	I-U-1	8-1/4" Rod Rear Suspension	187.31
TX-3307SC	I-U-12	1-3/4 X 3-1/4	60.55
TX-3311HC	I-U-12	6-3/4 X 8-1/4	366.84
TX-4525776	I-UB-10	100 X 190 mm	2419.78
TX-4525818	I-UB-10	80 X 150 mm	1186.37
TX-45285412	I-N-10	300 X 330 mm	3717.20
TX-607325	P-V-12	3 X 7	191.52
TX-9396483	I-U-1	10-1/2	1093.34
TX-9396484	I-U-1	9	2478.44
TX-9397201	P-U-12	2-1/2 X 5-1/2	468.21
TX-TS24EJ	I-V-1	4, 5-3/4, 7-1/2 Tele	473.84

REPLACEMENT PARTS FOR TEREX EQUIPMENT

NOTE: Terex part numbers are used as a reference only. We do not imply that these kits are original REPLACEMENT PARTS.

BACK-UP RINGS

Part Number	Min Pkg Qty	List Price
TX-15003806	1	\$4.64
TX-6957968	1	8.47
TX-9014551	1	6.80
TX-9014731	10	0.66
TX-9015056	1	8.27
TX-9032694	25	0.44
TX-9065470	5	1.95
TX-9175909	10	1.71
TX-9220661	1	5.12
TX-9230958	10	1.48
TX-9250817	1	8.14
TX-9251306	10	1.71
TX-9256136	5	2.56
TX-9258399	1	4.02
TX-9006187	1	3.92
TX-9014362	1	2.65
TX-9014635	1	8.23
TX-9016784	1	8.55
TX-9036867	1	8.04
TX-9069472	1	13.24

O-RINGS

Part Number	Min Pkg Qty	List Price
TX-15003653	5	\$2.62
TX-15004649	1	7.40
TX-2194445	20	0.64
TX-2466114	20	0.57
TX-2496077	50	0.10
TX-6961632	1	3.75
TX-9004803	1	3.37
TX-9009199	5	1.74
TX-9012665	10	1.38
TX-9014496	5	3.15
TX-9014636	1	4.44
TX-9016783	1	5.86
TX-9016804	10	1.22

O-RINGS

Part Number	Min Pkg Qty	List Price
TX-9022031	10	\$1.12
TX-9023324	50	0.11
TX-9024512	10	0.91
TX-9026312	50	0.10
TX-9026413	10	1.32
TX-9026817	50	0.11
TX-9027416	20	0.24
TX-9027591	50	0.07
TX-9028009	50	0.07
TX-9028083	50	0.13
TX-9028466	20	0.41
TX-9028755	10	1.46
TX-9028756	20	0.34
TX-9028757	20	0.41
TX-9028758	20	0.54
TX-9028902	50	0.08
TX-9029031	50	0.07
TX-9029036	20	0.27
TX-9029039	50	0.08
TX-9029184	50	0.13
TX-9029204	20	0.34
TX-9030336	50	0.16
TX-9030816	50	0.11
TX-9030825	20	0.31
TX-9031886	50	0.07
TX-9032036	20	0.67
TX-9032432	50	0.13
TX-9032817	50	0.11
TX-9032818	50	0.21
TX-9032826	10	0.91
TX-9033117	20	0.37
TX-9033322	50	0.11
TX-9033437	20	0.27
TX-9033874	5	3.08
TX-9034144	50	0.31
TX-9035239	50	0.13
TX-9035448	50	0.03
TX-9035561	50	0.07

O-RINGS

Part Number	Min Pkg Qty	List Price
TX-9035829	20	\$0.54
TX-9036102	50	0.11
TX-9043420	10	1.12
TX-9045359	20	0.67
TX-9111281	20	0.54
TX-9114971	50	0.10
TX-9114976	50	0.10
TX-9118185	50	0.21
TX-9118261	50	0.07
TX-9118412	5	2.77
TX-9118612	5	2.25
TX-9119127	20	0.34
TX-9120034	1	3.75
TX-9120071	5	2.41
TX-9120133	50	0.24
TX-9120855	20	0.45
TX-9122499	20	0.72
TX-9122577	20	0.75
TX-9125739	5	2.02
TX-9126819	10	0.97
TX-9127756	20	0.57
TX-9132790	1	3.68
TX-9133291	5	2.48
TX-9134670	10	1.22
TX-9135839	20	0.37
TX-9137207	20	0.64
TX-9137335	10	1.43
TX-9137336	50	0.08
TX-9137475	10	1.58
TX-9137479	50	0.08
TX-9138923	20	0.62
TX-9138935	50	0.21
TX-9138936	10	1.29
TX-9141861	1	3.37
TX-9141862	10	1.36
TX-9141863	1	5.63
TX-9141867	20	0.26
TX-9141869	5	2.62

TEREX

REPLACEMENT PARTS FOR TEREX EQUIPMENT

NOTE: Terex part numbers are used as a reference only. We do not imply that these kits are original REPLACEMENT PARTS.

O-RINGS

Part Number	Min Pkg Qty	List Price
TX-9141870	20	\$0.48
TX-9141871	50	0.10
TX-9141877	10	1.01
TX-9141910	1	3.45
TX-9141912	10	1.48
TX-9141913	20	0.60
TX-9141915	10	1.48
TX-9141916	5	3.02
TX-9141917	20	0.45
TX-9141918	10	1.18
TX-9141919	10	1.01
TX-9141920	20	0.80
TX-9141923	1	3.75
TX-9141924	5	2.25
TX-9142294	50	0.08
TX-9148275	50	0.13
TX-9151140	50	0.08
TX-9151625	5	2.48
TX-9152655	1	4.28
TX-9154249	1	4.66
TX-9155409	20	0.27
TX-9161946	20	0.75
TX-9168784	5	2.12
TX-9169441	5	1.88
TX-9169669	1	3.89
TX-9172766	10	1.36
TX-9173668	10	1.43
TX-9175910	10	1.01
TX-9180279	20	0.82
TX-9180337	5	2.12
TX-9180338	50	0.13
TX-9181563	20	0.83
TX-9184193	20	0.83
TX-9190141	50	0.03
TX-9190980	5	2.44
TX-9193491	1	3.75
TX-9194757	5	1.88
TX-9196795	1	9.02

O-RINGS

Part Number	Min Pkg Qty	List Price
TX-9206095	50	\$0.03
TX-9210455	1	3.75
TX-9214163	10	0.91
TX-9219589	3	2.16
TX-9232306	50	0.21
TX-9243876	1	4.12
TX-9250714	1	3.45
TX-9388168	20	0.48
TX-9391799	20	0.26
TX-9410966	50	0.31
TX-9410967	50	0.35
TX-9410968	20	0.49
TX-9410969	20	0.60
TX-9410970	20	0.76
TX-9410971	20	0.92

PISTON SEALS

Part Number	Bore Dia.	List Price
TX-15232053	1-3/4	\$7.36

LINK PIN BUSHINGS

Part Number	ID X OD	List Price
TX-9014649	3 x 3-3/4	\$330.31

LOCK NUTS

Part Number	Min. Pkg. Qty	List Price
TX-9437117		\$203.67

BUFFER RINGS

Part Number	Rod Dia.	List Price
TX-9014483	7	\$16.04
TX-9014484	7	21.50
TX-9267255	2-1/2	6.41
TX-9267531	2	5.07
TX-9273646	7-1/2	22.42
TX-9273647	7-1/2	18.65

REPLACEMENT PARTS FOR TEREX EQUIPMENT

NOTE: Terex part numbers are used as a reference only. We do not imply that these kits are original REPLACEMENT PARTS.

PISTON RINGS

Part Number	Bore Dia.	List Price
TX-15013926	1-3/4	\$7.36
TX-9227326	2-1/2	11.49
TX-9003456	5-1/2	19.63
TX-9012663	5-1/2	6.53
TX-9003455	6-1/4	35.00
TX-9273658	6-3/4	35.55
TX-9006233	7	10.96
TX-9014633	7-1/2	33.60
TX-9250452	8	39.78
TX-9247528	8	15.58
TX-9273652	8-1/2	54.07

U-SEALS

Part Number	Rod Dia.	List Price
TX-9267525	2	\$7.20
TX-9005427	2-1/2	15.04
TX-9381918	2-1/2	18.58
TX-15050289	2-1/2	15.04
TX-9266771	2-1/2	18.30
TX-9248098	3	15.22
TX-9250450	3-1/2	21.25
TX-15227032	5-1/2	31.47
TX-9270712	6-3/4	38.76
TX-15233756	7	98.43
TX-9270713	8-1/4	50.33
TX-15237500	10-1/2	300.74

VEE SET

Part Number	Rod Diameter	List Price
TX-9075817	1-1/8	\$12.48

WIPERS

Part Number	Rod Dia.	List Price
TX-9228337	1-1/8	\$1.43
TX-9228399	1-3/4	16.49
TX-9267528	2	21.22
TX-15050280	2-1/2	20.71
TX-9228727	2-1/2	5.04
TX-9266772	2-1/2	20.71
TX-15050279	3	27.52
TX-9119879	3	12.39
TX-9269316	4	45.80
TX-9269450	4-1/2	61.75
TX-15227030	5-1/2	17.47
TX-15021207	7	159.28
TX-6957965	8-1/4	29.55
TX-9256608	8-1/4	29.55
TX-15050293	9	32.97
TX-6987599	9	33.58
TX-9016787	10-1/2	42.43

WEAR RINGS

Part Number	Rod Dia.	List Price
TX-9250449	3-3/4 X 1	\$17.68
TX-9065569	4-3/4 X 1.99	118.47
TX-15018682	5-1/4 X 1	9.13
TX-9197686	5-1/2 X .625	6.66
TX-15227031	5-3/4 x 1	8.75
TX-9197680	6 X 0.625	6.87
TX-9065568	6-1/4 X 2	49.54
TX-15018683	6-3/4 X 1	12.04
TX-9006234	7 X 0.625	7.39
TX-9014129	7 X 1	12.60
TX-6988855	7 X 2	58.03
TX-9264391	7-1/4 X 1	19.45
TX-9253036	7-1/4 X 7.1	314.96
TX-9014131	7-1/2 x 1	19.45
TX-9273855	7-3/4 X 1.99	70.99
TX-9012254	8 X 0.5	8.04
TX-9242618	8 X 0.625	16.53
TX-9014093	8 X 5	151.00
TX-6944596	8-1/2 x 1	26.14
TX-9018420	9 x 1	26.62
TX-6957970	9 X 1	26.62
TX-6989542	10 X 1.25	37.74
TX-9016788	11-3/4 x 7	237.18

TEREX

TIMBERJACK

Replacement Kits For

Forestry - Log Loaders							
APPLICATION	CYL #	SERIAL #	CODE	ROD	BORE	KIT #	List \$
MODEL 330							
JIB BOOM			I-U-10	3	7	TBJ-842937500	82.18
MAIN BOOM			I-U-10	3	6	TBJ-842936800	104.45
STABILIZER			I-U-10	3	6	TBJ-842936800	104.45
MODEL 430							
JIB BOOM			I-U-10	3-1/2	7	TBJ-842938200	118.94
MAIN BOOM			I-U-10	3	6	TBJ-842936800	104.45
STABILIZER			I-U-10	3	6	TBJ-842936800	104.45
Skidders							
APPLICATION	CYL #	SERIAL #	CODE	ROD	BORE	KIT #	List \$
MODEL 240							
DOZER	8256787		I-U-10	1-3/4	4	TBJ-231384700	68.06
STEERING	2313806		I-U-10	2	4-1/2	TBJ-231383200	137.88
	2313816		I-U-10	1-3/4	4	TBJ-231384700	68.06
MODEL 240A							
ARCH-SINGLE	8259164		I-U-10	1-3/4	4	TBJ-231384700	68.06
	8268592		P-U-10	1-3/4	4	TBJ-845167600	108.47
DOZER	8260240		I-U-10	1-3/4	4	TBJ-231384700	68.06
GRAPPLE	8424465		I-U-5	2-1/2	4	TBJ-8429306	89.45
	8427905		I-U-5	2	4	TBJ-843010000	73.47
STEERING	2313806		I-U-10	2	4-1/2	TBJ-231383200	137.88
	8268602		P-U-10	2	4-1/2	TBJ-845167700	141.51
MODEL 240B							
ARCH-SINGLE	8268592		P-U-10	1-3/4	4	TBJ-845167600	108.47
DOZER	8268597		P-U-10	1-3/4	4	TBJ-845167600	108.47
GRAPPLE	8419398		I-U-5	2-1/2	4	TBJ-842249600	131.25
	8424465		I-U-5	2-1/2	4	TBJ-8429306	89.45
	8427905		I-U-5	2	4	TBJ-843010000	73.47
	F431703		P-UB-10	2	4	TBJ-F434195	155.82
	F431737		P-UB-10	2-1/2	4	TBJ-F434787	172.74
STEERING	8268602		P-U-10	2	4-1/2	TBJ-845167700	141.51
MODEL 360							
ARCH	F120710		N-N-14		100 mm	TBJ-842884100	103.24
	F120710		I-UB-1	50 mm		TBJ-F432351	63.11
CAB TILT	8119718		I-U-10	25 mm	2	TBJ-8431265	43.64
DOZER	F120975		N-N-14		90 mm	TBJ-F434056	84.78
	F120975		P-UB-1	45 mm		TBJ-F433400	88.40
GRAPPLE	F431737		P-UB-10	2-1/2	4	TBJ-F434787	172.74
	F431738		P-UB-10	2-1/2	4-1/2	TBJ-F434785	186.76
	F434169		P-UB-10	2	4	TBJ-F434195	155.82
	F434381		P-UB-10	2	4	TBJ-F434195	155.82
STEERING	F120975		N-N-14		90 mm	TBJ-F434056	84.78
	F120975		P-UB-1	45 mm		TBJ-F433400	88.40
MODEL 380, 380A, 380B							
ARCH	2315925		I-U-10	1-3/4	3-1/2	TBJ-845089800	121.61
ARCH LH	8216620		I-U-5	1-3/4	4-1/2	TBJ-8450282	124.66
ARCH RH	8216621		I-U-5	1-3/4	4-1/2	TBJ-8450282	124.66
ARCH-DUAL	2315925		I-U-10	1-3/4	3-1/2	TBJ-845089800	121.61
ARCH-SINGLE	8256796		I-U-10	1-3/4	4	TBJ-845109500	127.46
BOOM	2315925		I-U-10	1-3/4	3-1/2	TBJ-845089800	121.61
DOZER	8256792		I-U-10	1-3/4	3-1/2	TBJ-231385100	114.06
GRAPPLE	8245558		I-U-10	2-1/2	5-1/2	TBJ-845089900	162.97
	8414685		I-U-10	2-1/2	5	TBJ-841468700	57.16
	8417513		I-U-10	2-1/2	5	TBJ-8417516	109.88
	8417552		I-U-5	2-1/2	4	TBJ-842249600	131.25
	8419223		I-U-10	3-1/2	6-1/2	TBJ-841923200	90.79

TIMBERJACK

TIMBERJACK

Replacement Kits For

TIMBERJACK

Skidders							
APPLICATION	CYL #	SERIAL #	CODE	ROD	BORE	KIT #	List \$
MODEL 380, 380A, 380B							
GRAPPLE	8419398		I-U-5	2-1/2	4	TBJ-842249600	131.25
	8419411		I-U-10	2-1/2	5	TBJ-8417516	109.88
	8424465		I-U-5	2-1/2	4	TBJ-8429306	89.45
STEERING	8256798		I-U-10	1-3/4	3-1/2	TBJ-231385100	114.06
UNSPECIFIED APPLICATION	2313814		I-U-10	1-3/4	3-1/2	TBJ-231385100	114.06
MODEL 380, 450C							
ARCH-DUAL	8268601		P-U-10	1-3/4	3-1/2	TBJ-845167400	110.73
ARCH-SINGLE	8268593		P-U-10	1-3/4	4	TBJ-845167600	108.47
BOOM	8268601		P-U-10	1-3/4	3-1/2	TBJ-845167400	110.73
DOZER	8268596		P-U-10	1-3/4	4	TBJ-845167600	108.47
	8268600		P-U-10	1-3/4	3-1/2	TBJ-845167400	110.73
GRAPPLE	8419411		I-U-10	2-1/2	5	TBJ-843009800	110.93
	8424465	10650-14999	I-U-5	2-1/2	4	TBJ-842249600	131.25
	8424465		I-U-5	2-1/2	4	TBJ-8429306	89.45
	8425715		I-U-5	2-1/2	4-1/2	TBJ-843011300	83.75
	8427905		I-U-5	2	4	TBJ-843010000	73.47
	8428962		I-U-10	2-1/2	5-1/2	TBJ-843009900	162.97
	F431703		P-UB-10	2	4	TBJ-F434195	155.82
	F431737		P-U-10	2-1/2	4	TBJ-843113700	141.51
	F431738		P-UB-10	2-1/2	4-1/2	TBJ-F434785	186.76
	GRAPPLE T.J. 105"	8247956		I-U-10	2-1/2	5-1/2	TBJ-845089900
STEERING	8268599		P-U-10	1-3/4	3-1/2	TBJ-845167400	110.73
MODEL 450							
ARCH	2315925		I-U-10	1-3/4	3-1/2	TBJ-845089800	121.61
	8244039		I-U-10	1-3/4	4	TBJ-845109500	127.46
	8256796		I-U-10	1-3/4	4	TBJ-845109500	127.46
ARCH-DUAL	2315925		I-U-10	1-3/4	3-1/2	TBJ-845089800	121.61
ARCH-SINGLE	8256796		I-U-10	1-3/4	4	TBJ-845109500	127.46
BOOM	2315925		I-U-10	1-3/4	3-1/2	TBJ-845089800	121.61
	8244039		I-U-10	1-3/4	4	TBJ-845109500	127.46
	8256796		I-U-10	1-3/4	4	TBJ-845109500	127.46
DOZER	8256792		I-U-10	1-3/4	3-1/2	TBJ-231385100	114.06
GRAPPLE	8247955		I-U-10	1-3/4	4	TBJ-845109500	127.46
	8414685		I-U-10	2-1/2	5	TBJ-841468700	57.16
	8417513		I-U-10	2-1/2	5	TBJ-8417516	109.88
	8417552		I-U-5	2-1/2	4	TBJ-842249600	131.25
	8419223		I-U-10	3-1/2	6-1/2	TBJ-841923200	90.79
	8419224		I-U-10	3-1/2	6-1/2	TBJ-841923200	90.79
	8419398		I-U-5	2-1/2	4	TBJ-842249600	131.25
	8419411		I-U-10	2-1/2	5	TBJ-8417516	109.88
	8424465		I-U-5	2-1/2	4	TBJ-842249600	131.25
	GRAPPLE T.J.105"	8247956		I-U-10	2-1/2	5-1/2	TBJ-845089900
STEERING	8256798		I-U-10	1-3/4	3-1/2	TBJ-231385100	114.06
UNSPECIFIED APPLICATION	2313814		I-U-10	1-3/4	3-1/2	TBJ-231385100	114.06
MODEL 460							
ARCH-DUAL	F120977		N-N-14		90 mm	TBJ-F434056	84.78
	F120977		P-UB-1	45 mm		TBJ-F433400	88.40
ARCH-SINGLE	F120710		N-N-14		100 mm	TBJ-842884100	103.24
	F120710		I-UB-1	50 mm		TBJ-F432351	63.11
BOOM	F122026		I-UB-1	50 mm		TBJ-F432351	63.11
	F122026		N-N-14		90 mm	TBJ-F434056	84.78
CAB TILT	8119718		I-U-10	25 mm	2	TBJ-8431265	43.64
	8119718		N-O-1			TBJ-F033365	6.04
DOZER	F120709		N-N-14		100 mm	TBJ-842884100	103.24
	F120709		I-UB-1	50 mm		TBJ-F432351	63.11

Replacement Kits For

TIMBERJACK

Skidders							
APPLICATION	CYL #	SERIAL #	CODE	ROD	BORE	KIT #	List \$
MODEL 460							
GRAPPLE	F431737		P-UB-10	2-1/2	4	TBJ-F434787	172.74
	F431738		P-UB-10	2-1/2	4-1/2	TBJ-F434785	186.76
	F433137		P-UB-10	2-1/2	5-1/2	TBJ-F433145	218.90
	F433146		P-UB-10	2-1/2	5-1/2	TBJ-F433145	218.90
	F434169		P-UB-10	2	4	TBJ-F434195	155.82
	F434381		P-UB-10	2	4	TBJ-F434195	155.82
STEERING	F120975		P-UB-1	45 mm		TBJ-F433400	88.40
	F120975		N-N-14		90 mm	TBJ-F434056	84.78
UNSPECIFIED APPLICATION	F122183		N-N-14		125 mm	TBJ-F434140	209.21
	F122183		P-UB-10	63 mm		TBJ-F433415	74.51

REPLACEMENT KITS FOR TIMBERJACK EQUIPMENT

Kit Number	Code (Pg. xiv)	Rod X Bore Size	List Price
TBJ-F033365	N-O-1	-	\$6.04
TBJ-450999	I-U-8	1 X 3-1/2	52.28
TBJ-8450706	I-U-4	1 X 3-1/2	30.11
TBJ-41478200	I-U-5	1-1/2 X 3-1/2	37.58
TBJ-231385100	I-U-10	1-3/4 X 3-1/2	114.06
TBJ-8450710	I-U-5	1-3/4 X 3-1/2	70.97
TBJ-845089800	I-U-10	1-3/4 X 3-1/2	121.61
TBJ-845167400	P-U-10	1-3/4 X 3-1/2	110.73
TBJ-231384700	I-U-10	1-3/4 X 4	68.06
TBJ-8450702	I-U-5	1-3/4 X 4	90.57
TBJ-8450709	I-U-12	1-3/4 X 4	76.51
TBJ-845109500	I-U-10	1-3/4 X 4	127.46
TBJ-845167600	P-U-10	1-3/4 X 4	108.47
TBJ-8450282	I-U-5	1-3/4 X 4-1/2	124.66
TBJ-8450703	I-U-5	1-3/4 X 4-1/2	97.56
TBJ-41477400	P-U-5	2 X 4	54.66
TBJ-700797300	P-UB-10	2 X 4	95.14
TBJ-843010000	1-U-5	2 X 4	73.47
TBJ-F434195	P-UB-10	2 X 4	155.82
TBJ-231383200	I-U-10	2 X 4-1/2	137.88
TBJ-8450446	I-V-9	2 X 4-1/2	95.73
TBJ-845167700	P-U-10	2 X 4-1/2	141.51
TBJ-42289700	I-U-4	2-1/2 X 4	86.23
TBJ-842249600	I-U-5	2-1/2 X 4	131.25
TBJ-8429306	I-U-5	2-1/2 X 4	89.45
TBJ-843113700	P-U-10	2-1/2 X 4	141.51
TBJ-F434787	P-UB-10	2-1/2 X 4	172.74
TBJ-843011300	I-U-5	2-1/2 X 4-1/2	83.75

Kit Number	Code (Pg. xiv)	Rod X Bore Size	List Price
TBJ-8450705	I-U-5	2-1/2 X 4-1/2	\$109.64
TBJ-F434785	P-UB-10	2-1/2 X 4-1/2	186.76
TBJ-41468700	I-U-10	2-1/2 X 5	44.77
TBJ-841468700	I-U-10	2-1/2 X 5	57.16
TBJ-8417516	I-U-10	2-1/2 X 5	109.88
TBJ-843009800	I-U-10	2-1/2 X 5	110.93
TBJ-843009900	I-U-10	2-1/2 X 5-1/2	162.97
TBJ-845089900	I-U-10	2-1/2 X 5-1/2	162.97
TBJ-F433145	P-UB-10	2-1/2 X 5-1/2	218.90
TBJ-8450704	I-U-5	2-1/2 X 6	138.32
TBJ-700867900	P-UB-10	3 X 5	287.58
TBJ-700884400	P-UB-14	3 X 5	292.70
TBJ-842936800	I-U-10	3 X 6	104.45
TBJ-843032800	I-U-10	3 X 6	110.24
TBJ-842937500	I-U-10	3 X 7	82.18
TBJ-843032500	I-U-10	3 X 7	84.17
TBJ-841923200	I-U-10	3-1/2 X 6-1/2	90.79
TBJ-842938200	I-U-10	3-1/2 X 7	118.94
TBJ-842961900	I-U-10	3-1/2 X 7	99.24
TBJ-F436221	BORE SWIVEL KIT	6, 6-1/2	274.45
TBJ-8431265	I-U-10	25 mm X 2 in	43.64
TBJ-F433400	P-UB-1	45 mm	88.40
TBJ-F432351	I-UB-1	50 mm	63.11
TBJ-F433415	P-UB-10	63 mm	74.51
TBJ-F434056	N-N-14	90 mm	84.78
TBJ-842884100	N-N-14	100 mm	103.24
TBJ-F434140	N-N-14	125 mm	209.21

PISTON SEALS FOR TIMBERJACK EQUIPMENT

Part Number	Bore Diam.	List Price
TBJ-811035200	3-1/2	\$45.26

TOWMOTOR - CATERPILLAR LIFT TRUCKS

FOR A LIST OF TOWMOTOR / CATERPILLAR LIFT TRUCKS SEE OUR LISTING OF KITS UNDER THE CATERPILLAR SECTION IN THIS CATALOG OR THE INDUSTRIAL CATALOG.

TOYOTA LIFT TRUCKS

TOYOTA

Kit Number	Code (Pg. xiv)	Rod X Bore Size	List Price
TOY-04431-30091-71	P-U-5	60 X 90 mm	\$311.69
TOY-04433-10010-71	P-U-10	40 X 60 mm	129.41
TOY-04433-10020-71	P-U-10	40 X 60 mm	81.08
TOY-04433-10101-71	I-U-10	40 X 60 mm	85.11
TOY-04433-20011-71	I-U-10	50 X 75 mm	251.18
TOY-04433-20030-71	I-U-10	50 X 80 mm	215.34
TOY-04433-U1010-71	I-U-10	40 mm X 2-3/8 in	64.44
TOY-04433-U2040-71	I-U-10	50 mm X 3	61.21
TOY-04433-U2050-71	I-U-10	50 mm X 3-1/8 in	239.96
TOY-04433-U3010-71	I-U-10	50 mm X 3-1/8 in	239.96
TOY-04451-10070-71	P-V-12	22 X 40 mm	90.20
TOY-04451-10090-71	P-V-12	22 X 40 mm	99.81
TOY-04451-10120-71	P-U-12	22 X 45 mm	93.07
TOY-04451-20100-71	P-V-12	22 X 50 mm	100.19
TOY-04451-20101-71	P-U-12	22 X 50 mm	106.82
TOY-04451-20170-71	P-V-12	22 X 50 mm	101.32
TOY-04451-20171-71	P-U-12	22 X 50 mm	101.72
TOY-04455-U2010-71	OVERHAUL STEER KIT		96.12
TOY-04456-10020-71	P-U-10	22 X 50 mm	66.07
TOY-04456-10031-71	P-U-5	30 X 55 mm	197.29
TOY-04456-10050-71	P-U-12	22 X 45 mm	84.13
TOY-04456-20010-71	P-U-12	22 X 40 mm	96.27
TOY-04456-20020-71	P-U-12	22 X 40 mm	90.38
TOY-04456-20030-71	N-U-12	22 X 50 mm	76.46
TOY-04456-20060-71	I-U-12	22 X 50 mm	43.89
TOY-04456-30010-71	P-U-1	25 X 55 mm	70.75
TOY-04456-30011-71	P-U-12	25 X 55 mm	95.09
TOY-04651-10060-71	P-N-4	50 X 80 mm	87.00
TOY-04651-10132-71	P-U-5	30 X 80 mm	116.34
TOY-04651-10330-71	P-U-5	30 X 70 mm	91.68
TOY-04651-10333-71	P-U-5	30 X 70 mm	135.32
TOY-04651-10334-71	P-U-5	30 X 70 mm	135.32
TOY-04651-10652-71	P-U-4	50 X 65 mm	138.88
TOY-04651-10662-71	P-U-4	50 X 65 mm	138.88
TOY-04651-10671-71	P-U-1	70 mm Rod Kit	117.59
TOY-04651-10870-71	P-U-1	70 X 80 mm	134.06
TOY-04651-10871-71	P-U-1	70 mm Rod Kit	117.59
TOY-04651-10882-71	P-U-5	30 X 70 mm	135.32
TOY-04651-10892-71	P-U-5	30 X 70 mm	135.32
TOY-04651-11032-71	P-U-1	35 X 50 mm	82.36
TOY-04651-11061-71	P-U-4	40 X 50 mm	96.64
TOY-04651-11250-71	P-U-1	75 X 90 mm	198.81
TOY-04651-11261-71	P-U-1	35 X 50 mm	81.88
TOY-04651-11270-71	P-U-1	75 X 90 mm	200.76
TOY-04651-11271-71	P-U-1	75 mm Rod Kit	126.13
TOY-04651-11290-71	P-U-4	40 X 50 mm	96.11
TOY-04651-11291-71	P-U-4	40 X 50 mm	95.51
TOY-04651-11300-71	N-U-4	50 X 65 mm	103.15
TOY-04651-11390-71	P-U-4	40 X 50 mm	103.43
TOY-04651-20132-71	P-U-1	60 X 70 mm	145.38
TOY-04651-20133-71	P-U-4	60 X 70 mm	161.39
TOY-04651-20141-71	P-U-4	50 X 70 mm	118.72
TOY-04651-20142-71	P-U-4	50 X 70 mm	135.17
TOY-04651-20151-71	P-V-5	30 X 70 mm	213.24
TOY-04651-20182-71	P-U-4	60 X 75 mm	140.29
TOY-04651-20184-71	P-U-1	75 X 90 mm	144.41
TOY-04651-20185-71	P-U-1	75 X 90 mm	144.41

Kit Number	Code (Pg. xiv)	Rod X Bore Size	List Price
TOY-04651-20186-71	P-U-1	75 X 90 mm	\$200.76
TOY-04651-20260-71	P-U-1	50 X 70 mm	95.11
TOY-04651-20262-71	P-U-1	50 X 70 mm	120.16
TOY-04651-20262-71	P-U-1	50 X 70 mm	120.16
TOY-04651-20390-71	P-U-4	50 X 70 mm	142.97
TOY-04651-20400-71	P-U-4	60 X 70 mm	156.83
TOY-04651-20421-71	P-U-4	50 X 70 mm	136.74
TOY-04651-20441-71	P-U-5	30 X 70 mm	85.17
TOY-04651-20442-71	P-U-5	30 X 70 mm	135.32
TOY-04651-20841-71	P-U-1	75 X 90 mm	201.07
TOY-04651-20970-71	P-U-1	75 X 90 mm	200.76
TOY-04651-20971-71	P-U-1	75 mm Rod Kit	126.42
TOY-04651-20980-71	P-U-4	40 X 50 mm	78.64
TOY-04651-20992-71	P-U-1	35 X 50 mm	81.88
TOY-04651-21150-71	P-U-4	40 X 50 mm	79.23
TOY-04651-21151-71	P-U-4	40 X 50 mm	96.11
TOY-04651-21290-71	P-U-4	40 X 50 mm	79.23
TOY-04651-21310-71	P-U-1	35 X 50 mm	81.33
TOY-04651-21340-71	P-U-1	35 X 50 mm	81.88
TOY-04651-21350-71	P-U-4	40 X 50 mm	102.04
TOY-04651-30111-71	P-N-4	60 X 100 mm	110.39
TOY-04651-30170-71	P-U-5	40 X 100 mm	131.07
TOY-04651-30181-71	I-U-1	30 X 90 mm	124.72
TOY-04651-30211-71	P-N-4	60 X 80 mm	129.63
TOY-04651-30212-71	P-U-4	60 X 80 mm	135.32
TOY-04651-30561-71	P-U-4	60 X 80 mm	147.38
TOY-04651-30841-71	P-U-1	90 X 105 mm	181.22
TOY-04651-30842-71	P-U-1	90 X 105 mm	244.99
TOY-04651-30911-71	P-U-1	60 X 80 mm	129.35
TOY-04651-30920-71	P-U-4	60 X 80 mm	149.92
TOY-04651-30980-71	P-U-4	60 X 80 mm	104.01
TOY-04651-30991-71	P-U-5	40 X 100 mm	95.60
TOY-04651-31170-71	P-U-1	55 X 65 mm	114.61
TOY-04651-31180-71	P-U-4	50 X 65 mm	132.64
TOY-04651-31181-71	P-U-4	50 X 65 mm	121.02
TOY-04651-31210-71	P-U-1	90 X 105 mm	246.99
TOY-04651-31211-71	P-U-1	85 X 105 mm	297.04
TOY-04651-31220-71	P-U-1	40 X 60 mm	78.79
TOY-04651-31230-71	P-U-1	40 X 60 mm	79.36
TOY-04651-31240-71	P-U-1	55 X 65 mm	116.47
TOY-04651-31250-71	P-U-1	55 X 65 mm	117.02
TOY-04651-31280-71	P-U-4	50 X 65 mm	130.60
TOY-04651-31281-71	P-U-4	50 X 65 mm	119.02
TOY-04651-31282-71	P-U-4	50 X 65 mm	100.32
TOY-04651-31290-71	P-U-4	60 X 90 mm	147.08
TOY-04651-31302-71	P-U-1	95 mm Rod Kit	150.93
TOY-04651-31311-71	P-U-1	105 mm Rod Kit	152.60
TOY-04651-31410-71	P-U-1	45 X 65 mm	99.33
TOY-04651-31420-71	P-U-1	45 X 65 mm	101.32
TOY-04651-31430-71	P-U-1	55 X 65 mm	117.59
TOY-04651-31440-71	P-U-1	55 X 65 mm	113.19
TOY-04651-31450-71	P-U-4	70 X 90 mm	184.90
TOY-04651-31500-71	P-U-4	45 X 55 mm	102.17
TOY-04651-31510-71	P-U-4	45 X 55 mm	101.59
TOY-04651-31520-71	P-U-4	45 X 55 mm	103.58
TOY-04651-31530-71	P-U-4	45 X 55 mm	99.91
TOY-04651-31800-71	P-U-4	55 X 80 mm	119.66

TOYOTA LIFT TRUCKS

Kit Number	Code (Pg. xiv)	Rod X Bore Size	List Price
TOY-04651-31810-71	P-U-4	55 X 80 mm	\$111.68
TOY-04651-31820-71	P-U-5	70 X 120 mm	294.79
TOY-04651-31830-71	P-U-5	70 X 110 mm	91.46
TOY-04652-10020-71	P-U-1	70 X 80 mm	188.72
TOY-04652-10030-71	P-U-1	70 X 80 mm	188.72
TOY-04652-10170-71	P-U-1	70 mm Rod Kit	98.07
TOY-04652-10191-71	P-U-1	70 X 85 mm	68.71
TOY-04652-10300-71	P-U-10	50 X 70 mm	125.89
TOY-04652-20031-71	P-U-1	75 X 90 mm	153.47
TOY-04652-20040-71	P-U-1	75 X 90 mm	143.30
TOY-04652-30010-71	P-U-1	90 X 105 mm	183.35
TOY-04652-30011-71	P-U-1	85 X 105 mm	179.65
TOY-04652-30020-71	P-U-1	40 X 60 mm	79.36
TOY-04652-30030-71	P-U-1	40 X 60 mm	78.79
TOY-04652-30040-71	P-U-1	50 X 70 mm	105.12
TOY-04652-30050-71	P-U-1	50 X 70 mm	107.16
TOY-04652-30131-71	P-U-1	85 X 105 mm	179.26
TOY-04652-30132-71	P-U-1	85 X 105 mm	103.95
TOY-04652-30150-71	P-U-1	85 X 105 mm	168.89
TOY-04652-U1020-71	I-U-4	2 X 2-3/4	170.56
TOY-04652-U2010-71	I-U-4	50 X 75 mm	150.69
TOY-04652-U2020-71	I-U-4	2" X 75 mm	132.09
TOY-04653-10020-71	P-U-4	35 X 45 mm	92.37
TOY-04653-10030-71	P-U-4	35 X 45 mm	91.38
TOY-04653-10040-71	P-U-4	35 X 45 mm	92.37
TOY-04653-10050-71	P-U-4	35 X 45 mm	91.82
TOY-04653-10060-71	P-U-1	35 X 50 mm	83.61
TOY-04653-10170-71	P-U-1	35 mm	48.39
TOY-04653-10500-71	P-U-1	35 X 45 mm	39.65
TOY-04653-10530-71	P-U-4	35 X 45 mm	35.39
TOY-04653-20071-71	P-U-4	40 X 50 mm	103.43
TOY-04653-20081-71	P-U-4	40 X 50 mm	104.12
TOY-04653-20090-71	P-U-1	35 X 50 mm	89.14
TOY-04653-20100-71	P-U-1	35 mm Rod Kit	77.50
TOY-04653-20110-71	P-U-1	35 X 50 mm	59.32
TOY-04653-20130-71	P-U-1	40 X 50 mm	79.73
TOY-04653-20230-71	P-U-4	50 X 63 mm	58.76
TOY-04653-30010-71	P-U-1	55 X 65 mm	115.20
TOY-04653-30020-71	P-U-1	55 X 65 mm	115.20
TOY-04653-30030-71	P-U-1	115 mm Rod Kit	227.22
TOY-04653-30050-71	P-U-5	45 X 55 mm	100.32
TOY-04653-30060-71	P-U-4	45 X 55 mm	102.99
TOY-04653-30111-71	P-U-1	90 mm	55.72
TOY-04653-30211-71	P-U-4	45 X 55 mm	99.47
TOY-04653-30221-71	P-U-4	45 X 55 mm	108.54
TOY-04653-30230-71	P-U-1	40 X 55 mm	99.91
TOY-04653-30231-71	P-U-1	40 X 55 mm	62.91
TOY-04653-30240-71	P-U-1	40 X 55 mm	90.38
TOY-04653-30310-71	P-U-3	50 X 70 mm	52.96
TOY-04653-U1010-71	I-U-1	32 mm X 1-3/4	42.45
TOY-04653-U1011-71	I-U-1	32 mm X 1-3/4	100.86
TOY-04653-U2010-71	I-U-4	1-3/8 X 2	71.30
TOY-04653-U3010-71	I-U-1	40 mm X 2-1/8	42.45
TOY-04654-10020-71	P-U-4	35 X 45 mm	92.53
TOY-04654-10030-71	P-U-4	35 X 45 mm	91.82
TOY-04654-20020-71	P-U-1	40 X 50 mm	79.73
TOY-04654-30020-71	P-U-4	45 X 55 mm	144.06

Kit Number	Code (Pg. xiv)	Rod X Bore Size	List Price
TOY-04654-30030-71	P-U-4	45 X 55 mm	\$141.12
TOY-04654-U1010-70	I-U-4	1-3/8 X 1-3/4	44.98
TOY-04654-U1010-71	I-U-1	1-3/8 X 1-3/4	44.98
TOY-04654-U3010-71	I-U-4	45 X 55 mm	75.26
TOY-04655-20030-71	P-U-5	30 X 70 mm	121.44
TOY-04655-20080-71	P-U-5	30 X 70 mm	81.81
TOY-04655-20090-71	I-U-13	30 X 70 mm	174.96
TOY-04655-30040-71	P-U-5	40 X 90 mm	143.09
TOY-04655-30041-71	P-U-5	40 X 90 mm	154.85
TOY-04655-30300-71	P-U-5	45 X 100 mm	108.10
TOY-04655-U1010-71	I-U-10	30 X 70 mm	208.71
TOY-04655-U2010-71	I-U-10	1-1/4 X 2-3/4	111.28
TOY-04655-U3010-71	I-U-10	1-1/4 X 3	125.10
TOY-04671-20380-71	VALVE KIT		27.69
TOY-04671-20390-71	VALVE KIT		64.42
TOY-04676-20370-71	VALVE KIT		25.08
TOY-04676-20380-71	VALVE KIT		30.13
TOY-04676-20421-71	VALVE KIT		18.71
TOY-04676-20431-71	VALVE KIT		21.28
TOY-04676-20441-71	VALVE KIT		20.68
TOY-04676-20491-71	VALVE KIT		17.78
TOY-04676-20501-71	VALVE KIT		18.71
TOY-04676-20511-71	VALVE KIT		19.81
TOY-04676-20521-71	VALVE KIT		21.53
TOY-04676-20560-71	VALVE KIT		20.40
TOY-04676-20570-71	VALVE KIT		39.86
TOY-04676-20580-71	VALVE KIT		19.81
TOY-04676-20590-71	VALVE KIT		17.40
TOY-04676-20600-71	VALVE KIT		23.75
TOY-04676-20680-71	VALVE KIT		14.73
TOY-04676-20690-71	VALVE KIT		23.81
TOY-04676-20700-71	VALVE KIT		21.27
TOY-04676-20722-71	VALVE KIT		17.62
TOY-04676-20742-71	O-RING KIT		21.99
TOY-04676-30311-71	VALVE KIT		16.27
TOY-04676-30312-71	VALVE KIT		17.40
TOY-04676-30313-71	VALVE KIT		14.59
TOY-04676-30331-71	VALVE KIT		21.53
TOY-04676-30332-71	VALVE KIT		17.64
TOY-04676-30341-71	VALVE KIT		58.03
TOY-04676-30342-71	VALVE KIT		26.37
TOY-04676-30620-71	VALVE KIT		20.38
TOY-04676-30920-71	VALVE KIT		20.03
TOY-04676-30930-71	VALVE KIT		18.54
TOY-04676-30940-71	VALVE KIT		25.10
TOY-04676-30950-71	VALVE KIT		25.19
TOY-04676-30970-71	VALVE KIT		16.28
TOY-04676-30980-71	VALVE KIT		13.43
TOY-04676-30990-71	VALVE KIT		32.21
TOY-04676-31000-71	VALVE KIT		18.34
TOY-04676-31010-71	VALVE KIT		21.32
TOY-04676-31020-71	VALVE KIT		28.74
TOY-04676-31161-71	VALVE KIT		12.98
TOY-04676-31171-71	O-RING KIT		17.62
TOY-04676-U2010-71	VALVE KIT		34.33

TOYOTA

REPLACEMENT PARTS FOR TOYOTA EQUIPMENT

NOTE: Toyota part numbers are used as a reference only. We do not imply that these kits are original REPLACEMENT PARTS.

O-RINGS

Part Number	Min Pkg Qty	List Price
TOY-65592-U2200-71	20	\$0.26

U-SEALS

Part Number	Rod Dia.	List Price
TOY-77167-20100-71	80 mm	\$35.94

WIPERS

Part Number	Rod Dia.	List Price
TOY-65575-31620-71	40 mm	\$24.15

PISTON BUSHINGS

Part Number	Bore Dia.	List Price
TOY-65254-14180-71	90 mm	\$114.14

TROJAN LOADER

Kit Number	Code (Pg. xiv)	Rod X Bore Size	List Price
TJN-2112888	P-U-10	2-3/4 X 6-1/4	\$104.64
TJN-2112889	P-U-10	4 X 9	238.39
TJN-2114241	P-U-10	3 X 7	120.42
TJN-3000SC	I-U-1	1-3/4 X 4	27.63
TJN-6755591	P-U-9	3 X 6-1/2	217.10

VANGUARD

Repair parts for Vanguard are available online at www.HerculesUS.com or by contacting the Hercules Sales Team at the information provided below.

UPRIGHT

Kit Number	Code (Pg. xiv)	Rod X Bore Size	List Price
UPRT-060211-014	I-U-4	1 X 2	\$27.39
UPRT-063905-010	I-U-11	1-1/4 X 2-1/2	33.39
UPRT-101015-010	I-U-10	1 X 2-1/4	20.60
UPRT-63904-010	I-U-4	2-1/2 X 5	123.32
UPRT-64346-010	I-U-11	1-1/4 X 3	31.02
UPRT-65397-011	I-U-11	3/4 X 2-1/4	22.77
UPRT-65970-011	I-U-10	3/4 X 1-1/4	29.31
UPRT-68457-010	I-U-11	3/4 X 2-1/4	22.81

VENCO LIFTGATE

Kit Number	Code (Pg. xiv)	Rod X Bore Size	List Price
VE-13088	P-U-4	1-1/4 X 4	\$116.91
VE-13089	P-U-4	1-1/4 X 3-1/2	98.00
VE-13090	P-U-4	1-1/8 X 3	84.64

REPLACEMENT SEAL KITS FOR VOLVO EQUIPMENT*

Replacement Seal Kits By Machine Type

Table of Contents

Machine Type		Page
Backhoe Loaders	BL60, BL60B, BL61, BL61 Plus, BL61B, BL70, BL70B, BL71, VOLVO BL71 Plus, BL71B	1068 - 1069
Dump Trucks - Articulated	5350B, A20, A25, A25B, A25C, A25D, A25E, A25F, A30, A30C, A30D, A30E, A30F, A35, A35C, A35D, A35E, A35F, A35F FS, A40, A40D, A40E, A40F, A40F FS	1069 - 1072
Excavators	EC140B LC, EC140B LCM, EC160B LC, EC160B NLC, EC160C L, EC160C NL, EC200B, EC210B, EC210C L, EC210C LR, EC210C N, EC210C NL, EC230B, EC240B, EC240B FX, EC240B LC, EC240B LR, EC240B NLC, EC240C L, EC240C LD, EC240C LR, EC240C NL, EC280, EC290B FX, EC290B LC, EC290B LR, EC290B NLC, EC290C L, EC290C LD, EC290C LR, EC290C NL, EC330B LC, EC330C L, EC330C LD, EC340, EC360, EC360B LC, EC360B LR, EC360B NLC, EC360C HR, EC360C L, EC360C LD, EC360C NL, EC460B LC, EC460B LR, EC460C HR, EC460C L, EC460C LD, EC700B HR, EC700B LC, EC700C L, EC700C LD	1072 - 1088
Excavators - Compact	EC15 XR, EC15 XT, EC15 XTV, EC15B XR, EC15B XT, EC15B XTV, EC20 XT, EC20 XTV, EC20B XT, EC20B XTV, EC25, EC30, EC35, EC55, EC55B, ECR58, ECR88	1089 - 1094
Forestry - Log Skidders	662, 664, 664B, 664C, 664D, 666, 666B, 666C, 666D, 667C, 667D, 668, 668B, 668C, 668D, F65, F665, F666, F668	1094 - 1095
Loaders - Skid Steer	MC90, MC90B	1095
Loaders - Wheel	12B, 35A, 35AWS, 35B, 35R, 45A, 45B, 45FB, 55A, 55A-II, 55-III, 55-III A, 55-III A GRR, 55B, 75A-II, 75B, LF75B, 75-III, 75-III A, 85A, 85A-II, 85A-II, 85-III, 85-III A, 125A, 125A-II, 125-111A, 125B, 175A, 175A-II, 175B, 175-III, 175-III A, 275B, 275-III, 275-III A, 475B, 475-III A, 675B, L20B, L25B, L30, L30B, L35B, L40B, L45B, L50B, L50C, L50C OR, L50D, L60E, L60F, L60G, L60H, L70B, L70C, L70C BM, L70D, L70E, L70F, L70G, L70H, L90B, L90C, L90C BM, L90D, L90E, L90F, L90G, L90H, L110E, L110F, L110G, L110H, L120B, L120C, L120C BM, L120D, L120E, L120F, L120G, L120H, L150, L150C, L150C BM, L150D, L150E, L150F, L150G, L150H, L180, L180C, L180C BM, L180D, L180D HL, L180E, L180E HL, L180F, L180F HL, L180G, L180H, L220D, L220E, L220F, L220G, L220H, L250G, L320, L330C, L330C BM, L330C LL, L330C LL BM, L330D, L330E, L350F, L480B, L480T	1095 - 1126
Motor Graders	710-740A, 750A, 780A, G930	1126 - 1127
Scrapers	T450D	1127
Wheel Dozers	180, 180-III, 280, 280B, 280C, 280-III, 280-III A, 380B, 380-III, 380-III A, W380	1127 - 1128
Alpha-Numeric Kit Listing		1129 - 1134
Volvo Individual Parts		1135 - 1139

The following models are available online at www.HerculesUS.com or by calling your regional sales team at www.HerculesUS.com

Loaders - Wheel	35C, 45C, 475C, 475CT, 55C, 75C, 125C, 175C, 275C, L50, L70, L90, L120, L140, L160, L190, L270, L270B, L480
------------------------	---

All manufacturer's names, part numbers and descriptions are used for reference purposes only. We do not imply that any part shown is the product of these manufacturers. We also do not imply that the list price shown is exactly that of the manufacturer.

VOLVO

Replacement Kits For

Backhoe Loaders							
APPLICATION	CYL #	SERIAL #	CODE	ROD	BORE	KIT #	List \$
MODEL BL60							
BACKHOE LOCK		10001-11314	I-O-10	16 mm	40 mm	VME-11710606	24.56
BOOM		10001-	I-UB-10	65 mm	115 mm	VME-11712455	119.04
BUCKET		10001-11314	I-UB-10	55 mm	85 mm	VME-11712450	152.11
DIPPER		10001-	I-UB-10	60 mm	110 mm	VME-11709624	107.24
EXTENSION		10001-11315	I-UB-10	40 mm	70 mm	VME-11709538	70.54
LIFT		10001-11314	I-UB-10	50 mm	80 mm	VME-11712746	110.23
SLEW		10001-	I-UB-10	50 mm	95 mm	VME-11709677	139.50
STABILIZER	11885749	10001-11314	I-UB-10	50 mm	95 mm	VME-11710948	98.11
	11886367	10001-	I-UB-10	55 mm	95 mm	VME-11715295	137.34
STEERING	11880001	10939-	I-U-10	38 mm	63 mm	VME-11716720	50.54
	11891267	10001-	I-U-10	36 mm	63 mm	VME-11712523	100.64
	11891284- 11891387	10939-11314	I-U-10	38 mm	63 mm	VME-11709898	82.99
	11891360	10001-	I-U-10	36 mm	63 mm	VME-11712523	100.64
	11891386	10001-	I-U-10	36 mm	63 mm	VME-11712523	100.64
	11895045	10001-	I-U-10	36 mm	63 mm	VME-11712523	100.64
	11895046	10939-	I-U-10	38 mm	63 mm	VME-11716720	50.54
	1887360	10939-	I-U-10	38 mm	63 mm	VME-11716720	50.54
TILT		10001-	I-UB-10	60 mm	105 mm	VME-11712749	107.24
MODEL BL60B							
BOOM	16202593	130103-	P-UB-10	65 mm	120 mm	VME-15173282	229.97
BUCKET	11887168	10001-	P-U-10	40 mm	70 mm	VME-11709913	154.21
MODEL BL61							
BACKHOE LOCK		10001-11458	I-O-10	16 mm	40 mm	VME-11710606	24.56
BOOM		10001-11458	I-UB-10	65 mm	120 mm	VME-11709528	151.65
BUCKET		10001-11458	I-UB-10	55 mm	85 mm	VME-11712450	152.11
DIPPER		10001-11458	I-UB-10	60 mm	110 mm	VME-11709624	107.24
EXTENSION		10001-11458	I-UB-10	40 mm	70 mm	VME-11709538	70.54
LIFT		10001-11458	I-UB-10	50 mm	85 mm	VME-11709617	146.77
SLEW		10001-11458	I-UB-10	50 mm	95 mm	VME-11709677	139.50
STABILIZER		10001-11458	I-UB-10	50 mm	70 mm	VME-11709632	62.05
STEERING	11880004	10627-11458	I-U-10	38 mm	63 mm	VME-11716720	50.54
	11887362	11459-	I-U-10	36 mm	65 mm	VME-11716625	89.12
	11891305	10001-11458	I-U-10	38 mm	63 mm	VME-11709898	82.99
	11891306	10001-11458	I-U-10	36 mm	63 mm	VME-11712523	100.64
	11891496	10001-11458	I-U-10	36 mm	63 mm	VME-11712523	100.64
	11895045	11459-	I-U-10	36 mm	65 mm	VME-11716625	89.12
TILT		10001-11458	I-UB-10	60 mm	105 mm	VME-11712749	107.24
MODEL BL61 Plus							
BOOM		10001-	I-UB-10	65 mm	120 mm	VME-11709528	151.65
DIPPER		10001-	I-UB-10	60 mm	110 mm	VME-11709624	107.24
EXTENSION		10001-	I-UB-10	40 mm	70 mm	VME-11709538	70.54
LIFT		10001-	I-UB-10	50 mm	85 mm	VME-11709617	146.77
SLEW		10001-	I-UB-10	50 mm	95 mm	VME-11709677	139.50
STABILIZER		10001-	I-UB-10	50 mm	70 mm	VME-11709632	62.05
STEERING	11887361	10001-	I-U-10	38 mm	63 mm	VME-11716720	50.54
	11887362	10001-	I-U-10	36 mm	65 mm	VME-11716625	89.12
TILT		10001-	I-UB-10	60 mm	105 mm	VME-11712749	107.24
MODEL BL61B							
BOOM	16202593	10287-	P-UB-10	65 mm	120 mm	VME-15173282	229.97
BUCKET	11887168	10287-	P-U-10	40 mm	70 mm	VME-11709913	154.21
MODEL BL70							
BACKHOE LOCK		10001-11488	I-O-10	16 mm	40 mm	VME-11710606	24.56
BOOM		10001-	I-UB-10	65 mm	120 mm	VME-11709528	151.65
BUCKET		10001-11488	I-UB-10	60 mm	90 mm	VME-11709547	127.88

LR - Long Reach SLF - Super Long Front QF - Quick Fit FS - Front Shovel MH - Material Handle AS - Articulate Slope

VOLVO

Replacement Kits For

Backhoe Loaders							
APPLICATION	CYL #	SERIAL #	CODE	ROD	BORE	KIT #	List \$
MODEL BL70							
DIPPER		10001-	I-UB-10	60 mm	120 mm	VME-11709543	147.86
EXTENSION		10001-	I-UB-10	40 mm	70 mm	VME-11709538	70.54
LIFT		10001-11488	I-UB-10	50 mm	85 mm	VME-11709617	146.77
SLEW		10001-	I-UB-10	50 mm	95 mm	VME-11709677	139.50
STABILIZER	11885749	10001-11488	I-UB-10	50 mm	95 mm	VME-11710948	98.11
	11886367	10001-	I-UB-10	55 mm	95 mm	VME-11715295	137.34
STEERING		10001-	I-U-10	36 mm	65 mm	VME-11716625	89.12
		10001-11488	I-U-10	38 mm	63 mm	VME-11709898	82.99
TILT		10001-	I-UB-10	60 mm	110 mm	VME-11709624	107.24
MODEL BL70B							
BOOM	16202593	11489-	P-UB-10	65 mm	120 mm	VME-15173282	229.97
BUCKET	11887168	10001-	P-U-10	40 mm	70 mm	VME-11709913	154.21
MODEL BL71							
BACKHOE LOCK		10021-16826	I-O-10	16 mm	40 mm	VME-11710606	24.56
BOOM		10021-	I-UB-10	65 mm	120 mm	VME-11709528	151.65
BUCKET		10021-16826	I-UB-10	60 mm	90 mm	VME-11709547	127.88
DIPPER		10021-	I-UB-10	60 mm	120 mm	VME-11709543	147.86
EXTENSION		10021-	I-UB-10	40 mm	70 mm	VME-11709538	70.54
LIFT		10021-16826	I-UB-10	50 mm	85 mm	VME-11709617	146.77
SLEW		10021-	I-UB-10	50 mm	95 mm	VME-11709677	139.50
STABILIZER		10021-	I-UB-10	50 mm	70 mm	VME-11709632	62.05
STEERING		10021-16826	I-U-10	36 mm	65 mm	VME-11716625	89.12
		10021-16826	I-U-10	38 mm	63 mm	VME-11709898	82.99
TILT		10021-	I-UB-10	60 mm	110 mm	VME-11709624	107.24
MODEL BL71 Plus							
BOOM		10001-	I-UB-10	65 mm	120 mm	VME-11709528	151.65
DIPPER		10001-10494	I-UB-10	60 mm	120 mm	VME-11709543	147.86
		10495-	I-UB-10	60 mm	110 mm	VME-11709624	107.24
EXTENSION		10001-	I-UB-10	40 mm	70 mm	VME-11709538	70.54
LIFT		10001-10494	I-UB-10	50 mm	85 mm	VME-11709617	146.77
SLEW		10001-	I-UB-10	50 mm	95 mm	VME-11709677	139.50
STABILIZER		10001-	I-UB-10	50 mm	70 mm	VME-11709632	62.05
STEERING		10001-	I-U-10	36 mm	65 mm	VME-11716625	89.12
TILT		10001-	I-UB-10	60 mm	110 mm	VME-11709624	107.24
MODEL BL71B							
BOOM	16202593	10495-	P-UB-10	65 mm	120 mm	VME-15173282	229.97
BUCKET	11887168	10001-	P-U-10	40 mm	70 mm	VME-11709913	154.21
Dump Trucks - Articulated							
APPLICATION	CYL #	SERIAL #	CODE	ROD	BORE	KIT #	List \$
MODEL 5350B							
STEERING	4782849-6	-2475	P-U-15	70 mm	100 mm	VME-6630443	91.10
	4833274-6	2746-	P-U-15	70 mm	100 mm	VME-6630443	91.10
TILT	11053261-1		6 stage	60-140		VME-6630839	421.11
	11053262-9		6 stage	75-160		VME-6630852	484.71
	4941338-8		6 stage	60-140		VME-6630839	421.11
	4941761-1		4 stage	70-140		VME-6213407	470.60
	4942058-1		6 stage	75-160		VME-6630852	484.71
MODEL A20							
STEERING	4833274-6		P-U-15	70 mm	100 mm	VME-6630443	91.10
TILT	11053261-1	1533-	6 stage	60-140		VME-6630839	421.11
	11053262-9	1127-1532	6 stage	75-160		VME-6630852	484.71
	4942058-1	-1126	6 stage	75-160		VME-6630852	484.71
MODEL A25							
STEERING	4833274-6		P-U-15	70 mm	100 mm	VME-6630443	91.10
TILT	11043078-2	4067-5598	3 stage	75-140		VME-11991589	317.75

LR - Long Reach SLF - Super Long Front QF - Quick Fit FS - Front Shovel MH - Material Handle AS - Articulate Slope

FORMERLY LISTED REPAIR PARTS ARE AVAILABLE ONLINE AT WWW.HERCULESCA.CA
OR BY CONTACTING YOUR REGIONAL HERCULES SALES TEAM.

VOLVO

Replacement Kits For

Dump Trucks - Articulated							
APPLICATION	CYL #	SERIAL #	CODE	ROD	BORE	KIT #	List \$
MODEL A25							
TILT	11053261-1	4092-5486	6 stage	60-140		VME-6630839	421.11
	11053262-9	-5486	6 stage	75-160		VME-6630852	484.71
	11061382-5	5487-	5 stage	75-140		VME-11993411	468.12
	11061383-3	5599-	3 stage	75-140		VME-11993103	263.02
	4941338-8	-4091	6 stage	60-140		VME-6630839	421.11
4941761-1	-4066	4 stage	70-140		VME-6213407	470.60	
MODEL A25B							
STEERING	4833274-6		P-U-15	70 mm	100 mm	VME-6630443	91.10
MODEL A25C							
STEERING	4833274-6	-10256;-60911	P-U-15	70 mm	100 mm	VME-6630443-7	91.31
TIPPING (4X4)	11088346-9	-10256;-60911	P-U-13	70 mm	125 mm	VME-11990351-6	304.07
TIPPING (6X6)	11005475-6	-10256;-60911	P-U-13	70 mm	125 mm	VME-11990351-6	304.07
MODEL A25D							
HOIST	11190986	11001-12999;13001-20000;61001-61118;71001-71999;72001-	P-U-10,13	80 mm	125 mm	VME-11988209	298.39
	11190986	11001-12999;13001-20000;61001-61118;71001-71999;72001-	P-U-10,13	80 mm	125 mm	VME-11988209-EX	322.19
	11190986	11001-12999;13001-20000;61001-61118;71001-71999;72001-	Bushing	80 mm		VME-11088150	4.12
	11190986	11001-12999;13001-20000;61001-61118;71001-71999;72001-	Wear Ring		125 mm	VME-4833220	10.55
	11296003	11001-12999;61001-61118;71001-71999	P-U-10,13	80 mm	125 mm	VME-11988209	298.39
	11296003	11001-12999;61001-61118;71001-71999	P-U-10,13	80 mm	125 mm	VME-11988209-EX	322.19
	11296003	11001-12999;61001-61118;71001-71999	Bushing	80 mm		VME-11088150	4.12
	11296003	11001-12999;61001-61118;71001-71999	Wear Ring		125 mm	VME-4833220	10.55
	11296031	11001-12999;13001-20000;61001-61118;71001-71999;72001-	P-U-10,13	80 mm	125 mm	VME-11988209	298.39
	11296031	11001-12999;13001-20000;61001-61118;71001-71999;72001-	P-U-10,13	80 mm	125 mm	VME-11988209-EX	322.19
	11296031	11001-12999;13001-20000;61001-61118;71001-71999;72001-	Bushing	80 mm		VME-11088150	4.12
	11296031	11001-12999;13001-20000;61001-61118;71001-71999;72001-	Wear Ring		125 mm	VME-4833220	10.55
	STEERING	11296025	11001-12999;61001-61118;71001-71999	P-U-10	60 mm	100 mm	VME-11709249
11296025		11001-12999;61001-61118;71001-71999	P-U-10	60 mm	100 mm	VME-11709249-EX	99.13
11296025		11001-12999;61001-61118;71001-71999	Bushing	60 mm		VME-11088053	3.14
11296025		11001-12999;61001-61118;71001-71999	Wear Ring		100 mm	VME-11088148	5.41
11296026		11001-12999;13001-20000;61001-61118;71001-71999	I-UB-10	60 mm	100 mm	VME-11712387	106.04
MODEL A25E							
HOIST	11190986	13001-;73001-	P-U-10,13	80 mm	125 mm	VME-11988209	298.39
	11190986	13001-;73001-	P-U-10,13	80 mm	125 mm	VME-11988209-EX	322.19
	11190986	13001-;73001-	Bushing	80 mm		VME-11088150	4.12
	11190986	13001-;73001-	Wear Ring		125 mm	VME-4833220	10.55
	11296031	13001-;73001-	P-U-10,13	80 mm	125 mm	VME-11988209	298.39
	11296031	13001-;73001-	P-U-10,13	80 mm	125 mm	VME-11988209-EX	322.19
	11296031	13001-;73001-	Bushing	80 mm		VME-11088150	4.12
11296031	13001-;73001-	Wear Ring		125 mm	VME-4833220	10.55	
STEERING	11296026	13001-;73001-	I-UB-10	60 mm	100 mm	VME-11712387	106.04
MODEL A25F							
HOIST	16217815	13001-, 53001-, 73401-	P-U-10,13	80 mm	125 mm	VME-11988209	298.39
	16217815	13001-, 53001-, 73401-	P-U-10,13	80 mm	125 mm	VME-11988209-EX	322.19
	16217815	13001-, 53001-, 73401-	Bushing	80 mm		VME-11088150	4.12
	16217815	13001-, 53001-, 73401-	Wear Ring		125 mm	VME-4833220	10.55
HYDRAULIC	11296026	13001-, 53001-, 73401-	I-UB-10	60 mm	100 mm	VME-11712387	106.04
MODEL A30							
STEERING	11005212-3		P-U-15	60 mm	100 mm	VME-6630843-8	94.17

LR - Long Reach SLF - Super Long Front QF - Quick Fit FS - Front Shovel MH - Material Handle AS - Articulate Slope

VOLVO

Replacement Kits For

Dump Trucks - Articulated							
APPLICATION	CYL #	SERIAL #	CODE	ROD	BORE	KIT #	List \$
MODEL A30							
STEERING	11088154-7		P-U-15	60 mm	100 mm	VME-6630843-8	94.17
TIPPING	11005120-8		P-U-15	80 mm	140 mm	VME-11990170-0	309.31
	11088306-3		P-U-15	80 mm	140 mm	VME-11990170-0	309.31
MODEL A30C							
HOIST	11088306-3	-2320;-2275	P-U-15	80 mm	140 mm	VME-11990170-0	309.31
	11088815-3	-2320;-2275	P-U-15	80 mm	140 mm	VME-11990170-0	309.31
STEERING	11088154-7	-2320;-2275	P-U-15	60 mm	100 mm	VME-6630843-8	94.17
MODEL A30D							
HOIST	11296003	10001-11999;60001-60093;70001-72999	P-U-10,13	80 mm	125 mm	VME-11988209	298.39
	11296003	10001-11999;60001-60093;70001-72999	P-U-10,13	80 mm	125 mm	VME-11988209-EX	322.19
	11296003	10001-11999;60001-60093;70001-72999	Bushing	80 mm		VME-11088150	4.12
	11296003	10001-11999;60001-60093;70001-72999	Wear Ring		125 mm	VME-4833220	10.55
	11296031	10001-11999;12001-20000;60001-60093;70001-72999;73000-80000	P-U-10,13	80 mm	125 mm	VME-11988209	298.39
	11296031	10001-11999;12001-20000;60001-60093;70001-72999;73000-80000	P-U-10,13	80 mm	125 mm	VME-11988209-EX	322.19
	11296031	10001-11999;12001-20000;60001-60093;70001-72999;73000-80000	Bushing	80 mm		VME-11088150	4.12
	11296031	10001-11999;12001-20000;60001-60093;70001-72999;73000-80000	Wear Ring		125 mm	VME-4833220	10.55
STEERING	11296025	10001-11999;60001-60093;70001-72999	P-U-10	60 mm	100 mm	VME-11709249	85.74
	11296025	10001-11999;60001-60093;70001-72999	P-U-10	60 mm	100 mm	VME-11709249-EX	99.13
	11296025	10001-11999;60001-60093;70001-72999	Bushing	60 mm		VME-11088053	3.14
	11296025	10001-11999;60001-60093;70001-72999	Wear Ring		100 mm	VME-11088148	5.41
	11296026	10001-11999;12001-20000;60001-60093;70001-72999;73000-80000	I-UB-10	60 mm	100 mm	VME-11712387	106.04
MODEL A30E							
HOIST	11296031	12001-;72001-	P-U-10,13	80 mm	125 mm	VME-11988209	298.39
	11296031	12001-;72001-	P-U-10,13	80 mm	125 mm	VME-11988209-EX	322.19
	11296031	12001-;72001-	Bushing	80 mm		VME-11088150	4.12
	11296031	12001-;72001-	Wear Ring		125 mm	VME-4833220	10.55
STEERING	11296026	72001-;12001-	I-UB-10	60 mm	100 mm	VME-11712387	106.04
MODEL A30F							
HOIST	16217815	12001-, 52001-, 72701-	P-U-10,13	80 mm	125 mm	VME-11988209	298.39
	16217815	12001-, 52001-, 72701-	P-U-10,13	80 mm	125 mm	VME-11988209-EX	322.19
	16217815	12001-, 52001-, 72701-	Bushing	80 mm		VME-11088150	4.12
	16217815	12001-, 52001-, 72701-	Wear Ring		125 mm	VME-4833220	10.55
HYDRAULIC	11296026	12001-, 52001-, 72701-	I-UB-10	60 mm	100 mm	VME-11712387	106.04
MODEL A35							
STEERING	11088155-4	1882-;1886(USA)-	P-U-15	70 mm	110 mm	VME-11990070	117.25
	4833125-0	-1881;-1885(USA)	P-U-15	70 mm	110 mm	VME-11990070	117.25
TILT	11043080-8	-1194;-1200(USA)	3 stage	75-140		VME-11991589	317.75
	11061384-1	1195-;1201(USA)-	3 stage	75-140		VME-11993103	263.02
MODEL A35C							
STEERING	11088751-0	-4260	P-U-15	70 mm	110 mm	VME-11701665-9	86.21
TILT	11061384-1	-4260	3 stage	75-140		VME-11993103-8	267.58
MODEL A35D							
HOIST	11149003	11001-60000;61001-70000;70001-99999	P-UB-10	90 mm	150 mm	VME-11708734	123.99
	11149003	11001-60000;61001-70000;70001-99999	P-UB-10	90 mm	150 mm	VME-11708734-EX	219.26
	11149003	11001-60000;61001-70000;70001-99999	Bushing	90 mm		VME-11088249	23.67
	11149003	11001-60000;61001-70000;70001-99999	Wear Ring		150 mm	VME-11088149	17.52
	11296032	11001-60000;70001-99999;61001-70000	P-U-10	90 mm	150 mm	VME-11711945	198.19
	11296032	11001-60000;70001-99999;61001-70000	P-U-10	90 mm	150 mm	VME-11711945-EX	278.81
	11296032	11001-60000;70001-99999;61001-70000	Bushing	90 mm		VME-11088249	23.67
	11296032	11001-60000;70001-99999;61001-70000	Wear Ring		150 mm	VME-11088149	17.52
STEERING	11149000	11001-60000;70001-99999;61001-70000	P-U-15	70 mm	120 mm	VME-11700151	119.81
	11149000	11001-60000;70001-99999;61001-70000	P-U-15	70 mm	120 mm	VME-11700151-EX	124.61

LR - Long Reach SLF - Super Long Front QF - Quick Fit FS - Front Shovel MH - Material Handle AS - Articulate Slope

FORMERLY LISTED REPAIR PARTS ARE AVAILABLE ONLINE AT WWW.HERCULESCA.CA
OR BY CONTACTING YOUR REGIONAL HERCULES SALES TEAM.

VOLVO

Replacement Kits For

VOLVO

Dump Trucks - Articulated							
APPLICATION	CYL #	SERIAL #	CODE	ROD	BORE	KIT #	List \$
MODEL A35D							
STEERING	11149000	11001-60000;70001-99999;61001-70000	Bushing	70 mm		VME-11088054	3.67
	11296028	11001-60000;70001-99999;61001-70000	I-UB-10	70 mm	120 mm	VME-11712388	146.80
MODEL A35E							
HOIST	11296034	10001-	P-U-10	90 mm	150 mm	VME-11711945	198.19
	11296034	10001-	P-U-10	90 mm	150 mm	VME-11711945-EX	278.81
	11296034	10001-	Bushing	90 mm		VME-11088249	23.67
	11296034	10001-	Wear Ring		150 mm	VME-11088149	17.52
STEERING	11296028	10001-	I-UB-10	70 mm	120 mm	VME-11712388	146.80
MODEL A35F							
HOIST	15146032	10001-, 50001-	P-UB-10	90 mm	150 mm	VME-15153996	235.46
HYDRAULIC	11296028	10001-, 50001-	I-UB-10	70 mm	120 mm	VME-11712388	146.80
MODEL A35F FS							
HOIST	15146032	10001-, 50001-	P-UB-10	90 mm	150 mm	VME-15153996	235.46
HYDRAULIC	11296028	10001-, 50001-	I-UB-10	70 mm	120 mm	VME-11712388	146.80
	17202131	10001-, 50001-	P-UB-10	90 mm	115 mm	VME-17207945	332.93
MODEL A40							
HOIST	11088003	1001-1151;60001-60026;1001-1097;60101-70000;1201-10000	P-UB-13	90 mm	160 mm	VME-11700176	552.17
STEERING	11088298	1001-1151;60001-60026;1001-1097;60101-70000;1201-10000	P-U-15	70 mm	120 mm	VME-11700151	119.81
	11088298	1001-1151;60001-60026;1001-1097;60101-70000;1201-10000	P-U-15	70 mm	120 mm	VME-11700151-EX	124.61
	11088298	1001-1151;60001-60026;1001-1097;60101-70000;1201-10000	Bushing	70 mm		VME-11088054	3.67
MODEL A40D							
HOIST	11149003	10001-60000;60001-70000;70001-99999	P-UB-10	90 mm	150 mm	VME-11708734	123.99
	11149003	10001-60000;60001-70000;70001-99999	P-UB-10	90 mm	150 mm	VME-11708734-EX	219.26
	11149003	10001-60000;60001-70000;70001-99999	Bushing	90 mm		VME-11088249	23.67
	11149003	10001-60000;60001-70000;70001-99999	Wear Ring		150 mm	VME-11088149	17.52
	11296032	10001-60000;70001-99999;60001-70000	P-U-10	90 mm	150 mm	VME-11711945	198.19
	11296032	10001-60000;70001-99999;60001-70000	P-U-10	90 mm	150 mm	VME-11711945-EX	278.81
	11296032	10001-60000;70001-99999;60001-70000	Bushing	90 mm		VME-11088249	23.67
	11296032	10001-60000;70001-99999;60001-70000	Wear Ring		150 mm	VME-11088149	17.52
STEERING	11149000	10001-60000;70001-99999;60001-70000	P-U-15	70 mm	120 mm	VME-11700151	119.81
	11149000	10001-60000;70001-99999;60001-70000	P-U-15	70 mm	120 mm	VME-11700151-EX	124.61
	11149000	10001-60000;70001-99999;60001-70000	Bushing	70 mm		VME-11088054	3.67
	11296028	10001-60000;70001-99999;61001-70000	I-UB-10	70 mm	120 mm	VME-11712388	146.80
MODEL A40E							
HOIST	11296034	11001-	P-U-10	90 mm	150 mm	VME-11711945	198.19
	11296034	11001-	P-U-10	90 mm	150 mm	VME-11711945-EX	278.81
	11296034	11001-	Bushing	90 mm		VME-11088249	23.67
	11296034	11001-	Wear Ring		150 mm	VME-11088149	17.52
STEERING	11296028	11001-	I-UB-10	70 mm	120 mm	VME-11712388	146.80
MODEL A40F							
HOIST	15146032	11001-, 51001-	P-UB-10	90 mm	150 mm	VME-15153996	235.46
HYDRAULIC	11296028	11001-, 51001-	I-UB-10	70 mm	120 mm	VME-11712388	146.80
MODEL A40F FS							
HOIST	15146032	11001-, 51001-	P-UB-10	90 mm	150 mm	VME-15153996	235.46
HYDRAULIC	11296028	11001-, 51001-	I-UB-10	70 mm	120 mm	VME-11712388	146.80
	17202131	11001-, 51001-	P-UB-10	90 mm	115 mm	VME-17207945	332.93
Excavators							
APPLICATION	CYL #	SERIAL #	CODE	ROD	BORE	KIT #	List \$
MODEL EC140B LC, EC140B LCM							
BOOM	14513832	10001-12687	P-UB-10	70 mm	105 mm	VME-14516932	228.31
	14513833	10001-12687	P-UB-10	70 mm	110 mm	VME-14516933	297.48
	14514845	10001-12687	P-UB-10	70 mm	105 mm	VME-14516932	228.31
	14514847	10001-12687	P-UB-10	70 mm	110 mm	VME-14516933	297.48

LR - Long Reach SLF - Super Long Front QF - Quick Fit FS - Front Shovel MH - Material Handle AS - Articulate Slope

VOLVO

Replacement Kits For

Excavators							
APPLICATION	CYL #	SERIAL #	CODE	ROD	BORE	KIT #	List \$
MODEL EC140B LC, EC140B LCM							
BOOM	14563313	12688-	P-UB-10	70 mm	105 mm	VME-14516932	228.31
	14564035	12688-	P-UB-10	70 mm	105 mm	VME-14516932	228.31
	14564141	12688-	P-UB-10	70 mm	110 mm	VME-14516933	297.48
	14564147	12688-	P-UB-10	70 mm	110 mm	VME-14516933	297.48
BOOM (Adj 2nd)	14513834	10001-12687	P-UB-10	90 mm	160 mm	VME-14516934	303.77
	14514848	10001-12687	P-UB-10	90 mm	160 mm	VME-14516934	303.77
	14564150	12688-	P-UB-10	90 mm	160 mm	VME-14516934	303.77
	14564156	12688-	P-UB-10	90 mm	160 mm	VME-14516934	303.77
BUCKET	14510883	10001-10835	P-UB-10	70 mm	100 mm	VME-14547310	280.15
	14514560	10001-10838	P-UB-10	70 mm	100 mm	VME-14547310	280.15
	14522846	10836-12687	P-UB-10	70 mm	100 mm	VME-14547310	280.15
	14522900	10839-12687	P-UB-10	70 mm	100 mm	VME-14547310	280.15
	14564132	12688-	P-UB-10	70 mm	100 mm	VME-14547310	280.15
	14564139	12688-	P-UB-10	70 mm	100 mm	VME-14547310	280.15
DIPPER ARM	14513836	10001-10786	P-UB-10	80 mm	120 mm	VME-14515053	312.21
	14514846	10001-10892	P-UB-10	80 mm	120 mm	VME-14515053	312.21
	14522843	10787-12687	P-UB-10	80 mm	120 mm	VME-14515053	312.21
	14522844	10893-12687	P-UB-10	80 mm	120 mm	VME-14515053	312.21
	14563395	12688-	P-UB-10	80 mm	120 mm	VME-14515053	312.21
	14564129	12688-	P-UB-10	80 mm	120 mm	VME-14515053	312.21
DOZER BLADE	14507885	10001-;20001-	P-UB-10	90 mm	130 mm	VME-14517001	233.05
	14507886	10001-;20001-	P-UB-10	90 mm	130 mm	VME-14517001	233.05
QUICK-FIT	1171-90610	10001-10943	P-U-10	25 mm	50 mm	VME-14510910	112.00
	14522369	10944-	P-U-10	25 mm	50 mm	VME-14523116	90.83
MODEL EC160B LC, EC160B NLC							
BOOM	14517998	10001-11551	P-UB-10	75 mm	115 mm	VME-14519503	246.20
	14518003	10001-11551	P-UB-10	75 mm	115 mm	VME-14519503	246.20
	14564001	11552-	P-UB-10	75 mm	115 mm	VME-14519503	246.20
	14564007	11552-	P-UB-10	75 mm	115 mm	VME-14519503	246.20
	BOOM (Adj 2nd)	14518890	10086-11551	P-UB-10	90 mm	160 mm	VME-14516934
14521288		10086-11551	P-UB-10	90 mm	160 mm	VME-14516934	303.77
14556577		11552-	P-UB-10	90 mm	160 mm	VME-14516934	303.77
14564032		11552-	P-UB-10	90 mm	160 mm	VME-14516934	303.77
BUCKET	14518000	10001-10153	P-UB-10	75 mm	105 mm	VME-14519504	299.28
	14518290	10001-10153	P-UB-10	75 mm	105 mm	VME-14519504	299.28
	14523674	10154-11551	P-UB-10	75 mm	105 mm	VME-14519504	299.28
	14523675	10154-11551	P-UB-10	75 mm	105 mm	VME-14519504	299.28
	14564024	11552-	P-UB-10	75 mm	105 mm	VME-14519504	299.28
	14564030	11552-	P-UB-10	75 mm	105 mm	VME-14519504	299.28
DIPPER ARM	14517999	10001-11551	P-UB-10	80 mm	120 mm	VME-14519505	349.76
	14518289	10001-11551	P-UB-10	80 mm	120 mm	VME-14519505	349.76
	14564010	11552-	P-UB-10	80 mm	120 mm	VME-14519505	349.76
	14564016	11552-	P-UB-10	80 mm	120 mm	VME-14519505	349.76
DOZER BLADE	14515318	10001-99999	P-UB-10	95 mm	140 mm	VME-14519624	302.06
	14515319	10001-99999	P-UB-10	95 mm	140 mm	VME-14519624	302.06
QUICK-FIT	1171-90610	10001-10223	P-U-10	25 mm	50 mm	VME-14510910	112.00
	14522369	10224-	P-U-10	25 mm	50 mm	VME-14523116	90.83
	14522370	10224-	P-U-10	32 mm	70 mm	VME-14523132	141.28
MODEL EC160C L							
BOOM	14538693	120001-139999, 140001-140192	P-UB-10	75 mm	115 mm	VME-14589127	182.89
	14538693	120001-139999, 140001-140192	Bushing	75 mm		VME-9612-07540	36.34
	14549083	120001-139999, 140001-140192	P-UB-10	90 mm	160 mm	VME-14589123	236.64
	14549083	120001-139999, 140001-140192	Bushing	90 mm		VME-9612-09040	46.35
	14554983	120001-139999, 140001-140192	P-UB-10	75 mm	115 mm	VME-14589127	182.89
	14554983	120001-139999, 140001-140192	Bushing	75 mm		VME-9612-07540	36.34

LR - Long Reach SLF - Super Long Front QF - Quick Fit FS - Front Shovel MH - Material Handle AS - Articulate Slope

FORMERLY LISTED REPAIR PARTS ARE AVAILABLE ONLINE AT WWW.HERCULESCA.CA
OR BY CONTACTING YOUR REGIONAL HERCULES SALES TEAM.

VOLVO

Replacement Kits For

VOLVO

Excavators								
APPLICATION	CYL #	SERIAL #	CODE	ROD	BORE	KIT #	List \$	
MODEL EC160C L								
BOOM	14554986	120001-139999, 140001-140192	P-UB-10	90 mm	160 mm	VME-14589123	236.64	
	14554986	120001-139999, 140001-140192	Bushing	90 mm		VME-9612-09040	46.35	
BUCKET	14538695	120001-139999, 140001-140192	P-UB-10	75 mm	105 mm	VME-14589128	136.61	
	14538695	120001-139999, 140001-140192	Bushing	75 mm		VME-9612-07540	36.34	
	14554985	120001-139999, 140001-140192	P-UB-10	75 mm	105 mm	VME-14589128	136.61	
	14554985	120001-139999, 140001-140192	Bushing	75 mm		VME-9612-07540	36.34	
DIPPER ARM	14538694	120001-139999, 140001-140192	P-UB-10	80 mm	120 mm	VME-14589124	349.76	
	14554984	120001-139999, 140001-140192	P-UB-10	80 mm	120 mm	VME-14589124	349.76	
DOZER BLADE	14538697	120001-139999, 140001-140192	P-UB-10	95 mm	140 mm	VME-14589126	209.98	
	14538697	120001-139999, 140001-140192	Bushing	95 mm		VME-9612-09540	56.16	
	14538698	120001-139999, 140001-140192	P-UB-10	95 mm	140 mm	VME-14589126	209.98	
	14538698	120001-139999, 140001-140192	Bushing	95 mm		VME-9612-09540	56.16	
QUICK-FIT	14522369	120001-139999, 140001-140192	P-U-10	25 mm	50 mm	VME-14523116	90.83	
	14522370	120001-139999, 140001-140192	P-U-10	32 mm	70 mm	VME-14523132	141.28	
MODEL EC160C NL								
BOOM	14538693	120001-139999, 140001-140192	P-UB-10	75 mm	115 mm	VME-14589127	182.89	
	14538693	120001-139999, 140001-140192	Bushing	75 mm		VME-9612-07540	36.34	
	14549083	120001-139999, 140001-140192	P-UB-10	90 mm	160 mm	VME-14589123	236.64	
	14549083	120001-139999, 140001-140192	Bushing	90 mm		VME-9612-09040	46.35	
	14554983	120001-139999, 140001-140192	P-UB-10	75 mm	115 mm	VME-14589127	182.89	
	14554983	120001-139999, 140001-140192	Bushing	75 mm		VME-9612-07540	36.34	
	14554986	120001-139999, 140001-140192	P-UB-10	90 mm	160 mm	VME-14589123	236.64	
	14554986	120001-139999, 140001-140192	Bushing	90 mm		VME-9612-09040	46.35	
BUCKET	14538695	120001-139999, 140001-140192	P-UB-10	75 mm	105 mm	VME-14589128	136.61	
	14538695	120001-139999, 140001-140192	Bushing	75 mm		VME-9612-07540	36.34	
	14554985	120001-139999, 140001-140192	P-UB-10	75 mm	105 mm	VME-14589128	136.61	
	14554985	120001-139999, 140001-140192	Bushing	75 mm		VME-9612-07540	36.34	
DIPPER ARM	14538694	120001-139999, 140001-140192	P-UB-10	80 mm	120 mm	VME-14589124	349.76	
	14554984	120001-139999, 140001-140192	P-UB-10	80 mm	120 mm	VME-14589124	349.76	
DOZER BLADE	14538697	120001-139999, 140001-140192	P-UB-10	95 mm	140 mm	VME-14589126	209.98	
	14538697	120001-139999, 140001-140192	Bushing	95 mm		VME-9612-09540	56.16	
	14538698	120001-139999, 140001-140192	P-UB-10	95 mm	140 mm	VME-14589126	209.98	
	14538698	120001-139999, 140001-140192	Bushing	95 mm		VME-9612-09540	56.16	
QUICK-FIT	14522369	120001-139999, 140001-140192	P-U-10	25 mm	50 mm	VME-14523116	90.83	
	14522370	120001-139999, 140001-140192	P-U-10	32 mm	70 mm	VME-14523132	141.28	
MODEL EC200B								
ARM			P-UB-10	95 mm	135 mm	VME-14589131	406.42	
BOOM			P-UB-10	80 mm	125 mm	VME-14589129	376.25	
BUCKET			P-UB-10	80 mm	120 mm	VME-14589132	264.74	
MODEL EC210B								
ARM	14512429	10001-12065;30001-30156	P-UB-10	95 mm	135 mm	VME-14515052	336.26	
	14522908	12066-14998;20001-20073;30157-30792	P-UB-10	95 mm	135 mm	VME-14515052	336.26	
	14523658	10001-14998;20001-20073;30001-30792	P-UB-10	95 mm	135 mm	VME-14515052	336.26	
	14534547	14999-;30793-;20074-	P-UB-10	95 mm	135 mm	VME-14515052	336.26	
	14535513	14999-;30793-;20074-	P-UB-10	95 mm	135 mm	VME-14515052	336.26	
ARM (SLF)	14512432		P-UB-10	95 mm	135 mm	VME-14515052	336.26	
	14514852		P-UB-10	95 mm	135 mm	VME-14515052	336.26	
BOOM	14512428		P-UB-10	80 mm	125 mm	VME-14515051	306.63	
	14524660		P-UB-10	80 mm	125 mm	VME-14515051	306.63	
BOOM (SLF)	14512431		P-UB-10	105 mm	160 mm	VME-14514456	525.85	
	14514853		P-UB-10	105 mm	160 mm	VME-14514456	525.85	
BUCKET	14512430	10001-12065;30001-30156	P-UB-10	80 mm	120 mm	VME-14515053	312.21	
	14523659	12066-;30157-	P-UB-10	80 mm	120 mm	VME-14515053	312.21	
	14523664	10001-12065;12066-;30001-30156;30157-	P-UB-10	80 mm	120 mm	VME-14515053	312.21	
BUCKET (SLF)	14522846	12066-;30157-	P-UB-10	70 mm	100 mm	VME-14547310	280.15	

LR - Long Reach SLF - Super Long Front QF - Quick Fit FS - Front Shovel MH - Material Handle AS - Articulate Slope

Replacement Kits For

VOLVO

Excavators							
APPLICATION	CYL #	SERIAL #	CODE	ROD	BORE	KIT #	List \$
MODEL EC210B							
BUCKET (SLF)	14522900	12066-;30157-	P-UB-10	70 mm	100 mm	VME-14547310	280.15
MODEL EC210C L							
BOOM	14534531	110001-119999, 120001-129999	P-UB-10	80 mm	125 mm	VME-14515051	306.63
	14550417	110001-119999, 120001-129999	P-UB-10	105 mm	160 mm	VME-14514456	525.85
	14554977	110001-119999, 120001-129999	P-UB-10	80 mm	125 mm	VME-14515051	306.63
	14554980	110001-119999, 120001-129999	P-UB-10	105 mm	160 mm	VME-14514456	525.85
BUCKET	14534533	110001-119999, 120001-129999	P-UB-10	80 mm	120 mm	VME-14515053	312.21
	14536165	110001-119999, 120001-129999	P-UB-10	90 mm	130 mm	VME-14514454	356.58
	14536959	110001-119999, 120001-129999	P-UB-10	70 mm	100 mm	VME-14551098	170.58
	14554979	110001-119999, 120001-129999	P-UB-10	80 mm	120 mm	VME-14515053	312.21
	14554982	110001-119999, 120001-129999	P-UB-10	70 mm	100 mm	VME-14551098	170.58
	14556575	110001-119999, 120001-129999	P-UB-10	90 mm	130 mm	VME-14514454	356.58
	DIPPER ARM	14534532	110001-119999, 120001-129999	P-UB-10	95 mm	135 mm	VME-14515052
14535789		110001-119999, 120001-129999	P-UB-10	95 mm	135 mm	VME-14515052	336.26
14554978		110001-119999, 120001-129999	P-UB-10	95 mm	135 mm	VME-14515052	336.26
14554981		110001-119999, 120001-129999	P-UB-10	95 mm	135 mm	VME-14515052	336.26
MODEL EC210C LR							
BOOM	14534531	110001-119999, 120001-129999	P-UB-10	80 mm	125 mm	VME-14515051	306.63
	14550417	110001-119999, 120001-129999	P-UB-10	105 mm	160 mm	VME-14514456	525.85
	14554977	110001-119999, 120001-129999	P-UB-10	80 mm	125 mm	VME-14515051	306.63
	14554980	110001-119999, 120001-129999	P-UB-10	105 mm	160 mm	VME-14514456	525.85
MODEL EC210C N							
BOOM	14534531	110001-119999, 120001-129999	P-UB-10	80 mm	125 mm	VME-14515051	306.63
	14550417	110001-119999, 120001-129999	P-UB-10	105 mm	160 mm	VME-14514456	525.85
	14554977	110001-119999, 120001-129999	P-UB-10	80 mm	125 mm	VME-14515051	306.63
	14554980	110001-119999, 120001-129999	P-UB-10	105 mm	160 mm	VME-14514456	525.85
BUCKET	14534533	110001-119999, 120001-129999	P-UB-10	80 mm	120 mm	VME-14515053	312.21
	14536165	110001-119999, 120001-129999	P-UB-10	90 mm	130 mm	VME-14514454	356.58
	14536959	110001-119999, 120001-129999	P-UB-10	70 mm	100 mm	VME-14551098	170.58
	14554979	110001-119999, 120001-129999	P-UB-10	80 mm	120 mm	VME-14515053	312.21
	14554982	110001-119999, 120001-129999	P-UB-10	70 mm	100 mm	VME-14551098	170.58
	14556575	110001-119999, 120001-129999	P-UB-10	90 mm	130 mm	VME-14514454	356.58
	DIPPER ARM	14534532	110001-119999, 120001-129999	P-UB-10	95 mm	135 mm	VME-14515052
14535789		110001-119999, 120001-129999	P-UB-10	95 mm	135 mm	VME-14515052	336.26
14554978		110001-119999, 120001-129999	P-UB-10	95 mm	135 mm	VME-14515052	336.26
14554981		110001-119999, 120001-129999	P-UB-10	95 mm	135 mm	VME-14515052	336.26
MODEL EC210C NL							
BOOM	14534531	110001-119999, 120001-129999	P-UB-10	80 mm	125 mm	VME-14515051	306.63
	14554977	110001-119999, 120001-129999	P-UB-10	80 mm	125 mm	VME-14515051	306.63
BUCKET	14534533	110001-119999, 120001-129999	P-UB-10	80 mm	120 mm	VME-14515053	312.21
	14536165	110001-119999, 120001-129999	P-UB-10	90 mm	130 mm	VME-14514454	356.58
	14536959	110001-119999, 120001-129999	P-UB-10	70 mm	100 mm	VME-14551098	170.58
	14554979	110001-119999, 120001-129999	P-UB-10	80 mm	120 mm	VME-14515053	312.21
	14554982	110001-119999, 120001-129999	P-UB-10	70 mm	100 mm	VME-14551098	170.58
	14556575	110001-119999, 120001-129999	P-UB-10	90 mm	130 mm	VME-14514454	356.58
DIPPER ARM	14534532	110001-119999, 120001-129999	P-UB-10	95 mm	135 mm	VME-14515052	336.26
	14535789	110001-119999, 120001-129999	P-UB-10	95 mm	135 mm	VME-14515052	336.26
	14554978	110001-119999, 120001-129999	P-UB-10	95 mm	135 mm	VME-14515052	336.26
	14554981	110001-119999, 120001-129999	P-UB-10	95 mm	135 mm	VME-14515052	336.26
MODEL EC230B							
BOOM (FS)	142508811	0-4655	P-UB-11	105 mm	160 mm	VME-11997089-5	944.88
	142654656	4656-	P-UB-11	105 mm	160 mm	VME-11997089-5	944.88
BOOM (MH)	142479005	0-4655	P-UB-11	105 mm	160 mm	VME-11997089-5	944.88
	142654649	4656-	P-UB-11	105 mm	160 mm	VME-11997089-5	944.88
BUCKET	142508902	0-4655	P-UB-14	90 mm	140 mm	VME-11997091-1	752.47

LR - Long Reach SLF - Super Long Front QF - Quick Fit FS - Front Shovel MH - Material Handle AS - Articulate Slope

FORMERLY LISTED REPAIR PARTS ARE AVAILABLE ONLINE AT WWW.HERCULESCA.CA
OR BY CONTACTING YOUR REGIONAL HERCULES SALES TEAM.

VOLVO

Replacement Kits For

Excavators							
APPLICATION	CYL #	SERIAL #	CODE	ROD	BORE	KIT #	List \$
MODEL EC230B							
BUCKET	142654664	4656-	P-UB-14	90 mm	140 mm	VME-11997091-1	752.47
BUCKET (AS)	142459759		P-U-14	50 mm	70 mm	VME-11997227	267.84
BUCKET (QF)	142357003	0-4465	P-UB-10	32 mm	70 mm	VME-11999887	155.90
	142616416	4466-	P-UB-10	32 mm	70 mm	VME-11999887	155.90
DIPPER ARM	140533530		P-UB-14	105 mm	150 mm	VME-11997226	654.01
KNUCKLE	142654680	ALL	P-UB-11	105 mm	160 mm	VME-11997089-5	944.88
KNUCKLE (FS)	140533357		P-UB-15	80 mm	125 mm	VME-11997225	444.54
MODEL EC240B							
ARM	14510809	10001-10841	P-UB-10	100 mm	140 mm	VME-14514457	480.08
	14510810	10001-	P-UB-10	100 mm	140 mm	VME-14514457	480.08
	14514829	10001-	P-UB-10	100 mm	140 mm	VME-14514457	480.08
	14514837	10001-10841	P-UB-10	100 mm	140 mm	VME-14514457	480.08
	14521659	10842-12112	P-UB-10	100 mm	140 mm	VME-14514457	480.08
	14521758	10842-12112	P-UB-10	100 mm	140 mm	VME-14514457	480.08
	14535044	12113-	P-UB-10	100 mm	140 mm	VME-14514457	480.08
	14536159	12113-	P-UB-10	100 mm	140 mm	VME-14514457	480.08
BOOM	14510808	10001-12641- INT;80001-EU,NA	P-UB-10	90 mm	135 mm	VME-14514455	515.51
	14510811	10001-12641- INT;80001-EU,NA	P-UB-10	105 mm	160 mm	VME-14514456	525.85
	14514827	10001-12641- INT;80001-EU,NA	P-UB-10	105 mm	160 mm	VME-14514456	525.85
	14514840	10001-12641- INT;80001-EU,NA	P-UB-10	90 mm	135 mm	VME-14514455	515.51
	14530665	10001-12641- INT;80001-EU,NA	P-UB-10	90 mm	135 mm	VME-14514455	515.51
	14541247	10001-12641- INT;80001-EU,NA	P-UB-10	90 mm	135 mm	VME-14514455	515.51
BUCKET	14514833	10001-12641- INT;80001-EU,NA	P-UB-10	90 mm	130 mm	VME-14514454	356.58
	14523665	10001-12641- INT;80001-EU,NA	P-UB-10	90 mm	130 mm	VME-14514454	356.58
	14523666	10001-12641- INT;80001-EU,NA	P-UB-10	90 mm	130 mm	VME-14514454	356.58
MODEL EC240B FX							
BOOM	14510808	10001-12786;30001-30243	P-UB-10	90 mm	135 mm	VME-14514455	515.51
	14514840	10001-12786;30001-30243	P-UB-10	90 mm	135 mm	VME-14514455	515.51
	14530665	12787-13234;30244-;80001-81034	P-UB-10	90 mm	135 mm	VME-14514455	515.51
	14541247	12787-13234;30244-;80001-81034	P-UB-10	90 mm	135 mm	VME-14514455	515.51
	14563900	13235-;81035-	P-UB-10	90 mm	135 mm	VME-14514455	515.51
	14563929	13235-;81035-	P-UB-10	90 mm	135 mm	VME-14514455	515.51
BOOM (Adj 2nd)	14510811	12641-13234;80001-81034	P-UB-10	105 mm	160 mm	VME-14514456	525.85
	14514827	12641-13234;80001-81034	P-UB-10	105 mm	160 mm	VME-14514456	525.85
	14563950	13235-;81035-	P-UB-10	105 mm	160 mm	VME-14514456	525.85
	14563956	13235-;81035-	P-UB-10	105 mm	160 mm	VME-14514456	525.85
BUCKET	14504187	10001-10973	P-UB-10	90 mm	130 mm	VME-14514454	356.58
	14514833	10001-10973	P-UB-10	90 mm	130 mm	VME-14514454	356.58
	14523665	10974-12768;30001-30243	P-UB-10	90 mm	130 mm	VME-14514454	356.58
	14541237	12787-13234;80001-81034;30244-	P-UB-10	90 mm	130 mm	VME-14514454	356.58
	14541267	10974-12729;12787-13234;30001-30243;30244-;80001-81034	P-UB-10	90 mm	130 mm	VME-14514454	356.58
	14563959	13235-;81035-	P-UB-10	90 mm	130 mm	VME-14514454	356.58
	14563965	13235-;81035-	P-UB-10	90 mm	130 mm	VME-14514454	356.58
	14564139	13235-;81035-	P-UB-10	70 mm	100 mm	VME-14547310	280.15
BUCKET (LR)	14510883	10001-10973	P-UB-10	70 mm	100 mm	VME-14547310	280.15
	14514560	10001-10973	P-UB-10	70 mm	100 mm	VME-14547310	280.15
	14522846	10974-13234;80001-81034;30001-	P-UB-10	70 mm	100 mm	VME-14547310	280.15
	14522900	10974-13234;80001-81034;30001-	P-UB-10	70 mm	100 mm	VME-14547310	280.15
	14564132	13235-;81035-	P-UB-10	70 mm	100 mm	VME-14547310	280.15
	14564139	13235-;81035-	P-UB-10	70 mm	100 mm	VME-14547310	280.15
DIPPER ARM	14510809	10001-10841	P-UB-10	100 mm	140 mm	VME-14514457	480.08
	14510810	12641-13234;80001-81034	P-UB-10	100 mm	140 mm	VME-14514457	480.08
	14514829	12641-13234;80001-81034	P-UB-10	100 mm	140 mm	VME-14514457	480.08
	14514837	10001-10841	P-UB-10	100 mm	140 mm	VME-14514457	480.08
	14521659	10842-12112	P-UB-10	100 mm	140 mm	VME-14514457	480.08

LR - Long Reach SLF - Super Long Front QF - Quick Fit FS - Front Shovel MH - Material Handle AS - Articulate Slope

Replacement Kits For

VOLVO

Excavators								
APPLICATION	CYL #	SERIAL #	CODE	ROD	BORE	KIT #	List \$	
MODEL EC240B FX								
DIPPER ARM	14521758	10842-12112	P-UB-10	100 mm	140 mm	VME-14514457	480.08	
	14535044	12113-13234;80001-81034	P-UB-10	100 mm	140 mm	VME-14514457	480.08	
	14536159	12113-13234;80001-81034	P-UB-10	100 mm	140 mm	VME-14514457	480.08	
	14563932	13235-;81035-	P-UB-10	100 mm	140 mm	VME-14514457	480.08	
	14563938	13235-;81035-	P-UB-10	100 mm	140 mm	VME-14514457	480.08	
	14563941	13235-;81035-	P-UB-10	100 mm	140 mm	VME-14514457	480.08	
	14563947	13235-;81035-	P-UB-10	100 mm	140 mm	VME-14514457	480.08	
QUICK-FIT	14522370	11090-	P-U-10	32 mm	70 mm	VME-14523132	141.28	
MODEL EC240B LC								
BOOM	14510808	10001-12786;30001-30243	P-UB-10	90 mm	135 mm	VME-14514455	515.51	
	14514840	10001-12786;30001-30243	P-UB-10	90 mm	135 mm	VME-14514455	515.51	
	14530665	12787-13235;30244-;80001-81034	P-UB-10	90 mm	135 mm	VME-14514455	515.51	
	14541247	12787-13235;30244-;80001-81034	P-UB-10	90 mm	135 mm	VME-14514455	515.51	
	14563900	13235-;81035-	P-UB-10	90 mm	135 mm	VME-14514455	515.51	
	14563929	13235-;81035-	P-UB-10	90 mm	135 mm	VME-14514455	515.51	
	BOOM (Adj 2nd)	14510811	10001-13234;30001-30258;80001-81034	P-UB-10	105 mm	160 mm	VME-14514456	525.85
14514827		10001-13234;30001-30258;80001-81034	P-UB-10	105 mm	160 mm	VME-14514456	525.85	
14563950		13235-;81035-	P-UB-10	105 mm	160 mm	VME-14514456	525.85	
14563956		13235-;81035-	P-UB-10	105 mm	160 mm	VME-14514456	525.85	
BUCKET	14504187	10001-10973	P-UB-10	90 mm	130 mm	VME-14514454	356.58	
	14514833	10001-10973	P-UB-10	90 mm	130 mm	VME-14514454	356.58	
	14523665	10974-12786;30001-30243	P-UB-10	90 mm	130 mm	VME-14514454	356.58	
	14541237	12787-13234;30244-;80001-81034	P-UB-10	90 mm	130 mm	VME-14514454	356.58	
	14541267	10974-12729;12787-13234;30001-30243;30244-;80001-81034	P-UB-10	90 mm	130 mm	VME-14514454	356.58	
	14563959	13235-;81035-	P-UB-10	90 mm	130 mm	VME-14514454	356.58	
	14563965	13235-;81035-	P-UB-10	90 mm	130 mm	VME-14514454	356.58	
BUCKET (LR)	14510883	10001-10973	P-UB-10	70 mm	100 mm	VME-14547310	280.15	
	14514560	10001-10973	P-UB-10	70 mm	100 mm	VME-14547310	280.15	
	14522846	10974-13234;30001-;80001-81034	P-UB-10	70 mm	100 mm	VME-14547310	280.15	
	14522900	10974-13234;30001-;80001-81034	P-UB-10	70 mm	100 mm	VME-14547310	280.15	
	14564132	13235-;81035-	P-UB-10	70 mm	100 mm	VME-14547310	280.15	
	14564139	13235-;81035-	P-UB-10	70 mm	100 mm	VME-14547310	280.15	
DIPPER ARM	14510809	10001-10841	P-UB-10	100 mm	140 mm	VME-14514457	480.08	
	14510810	10001-13234;30001-30258;80001-81034	P-UB-10	100 mm	140 mm	VME-14514457	480.08	
	14514829	10001-13234;30001-30258;80001-81034	P-UB-10	100 mm	140 mm	VME-14514457	480.08	
	14514837	10001-10841	P-UB-10	100 mm	140 mm	VME-14514457	480.08	
	14521659	10842-12112	P-UB-10	100 mm	140 mm	VME-14514457	480.08	
	14521758	10842-12112	P-UB-10	100 mm	140 mm	VME-14514457	480.08	
	14535044	12113-13234;80001-81034	P-UB-10	100 mm	140 mm	VME-14514457	480.08	
	14536159	12113-13234;80001-81034	P-UB-10	100 mm	140 mm	VME-14514457	480.08	
	14563932	13235-;81035-	P-UB-10	100 mm	140 mm	VME-14514457	480.08	
	14563938	13235-;81035-	P-UB-10	100 mm	140 mm	VME-14514457	480.08	
	14563941	13235-;81035-	P-UB-10	100 mm	140 mm	VME-14514457	480.08	
	14563947	13235-;81035-	P-UB-10	100 mm	140 mm	VME-14514457	480.08	
	QUICK-FIT	14522370	11090-	P-U-10	32 mm	70 mm	VME-14523132	141.28
	MODEL EC240B LR, EC240B NLC							
	BOOM	14510808	10001-12786;30001-30243	P-UB-10	90 mm	135 mm	VME-14514455	515.51
14514840		10001-12786;30001-30243	P-UB-10	90 mm	135 mm	VME-14514455	515.51	
14530665		12787-13234;30244-;80001-81034	P-UB-10	90 mm	135 mm	VME-14514455	515.51	
14541247		12787-13234;30244-;80001-81034	P-UB-10	90 mm	135 mm	VME-14514455	515.51	
14563900		13235-;81035-	P-UB-10	90 mm	135 mm	VME-14514455	515.51	
14563929		13235-;81035-	P-UB-10	90 mm	135 mm	VME-14514455	515.51	
BOOM (Adj 2nd)		14510811	10001-13234;30001-30258;80001-81034	P-UB-10	105 mm	160 mm	VME-14514456	525.85
	14514827	10001-13234;30001-30258;80001-81034	P-UB-10	105 mm	160 mm	VME-14514456	525.85	

LR - Long Reach SLF - Super Long Front QF - Quick Fit FS - Front Shovel MH - Material Handle AS - Articulate Slope

FORMERLY LISTED REPAIR PARTS ARE AVAILABLE ONLINE AT WWW.HERCULESCA.CA
OR BY CONTACTING YOUR REGIONAL HERCULES SALES TEAM.

VOLVO

Replacement Kits For

Excavators							
APPLICATION	CYL #	SERIAL #	CODE	ROD	BORE	KIT #	List \$
MODEL EC240B LR, EC240B NLC							
BOOM (Adj 2nd)	14563950	13235-;81035-	P-UB-10	105 mm	160 mm	VME-14514456	525.85
	14563956	13235-;81035-	P-UB-10	105 mm	160 mm	VME-14514456	525.85
BUCKET	14504187	10001-10973	P-UB-10	90 mm	130 mm	VME-14514454	356.58
	14514833	10001-10973	P-UB-10	90 mm	130 mm	VME-14514454	356.58
	14523665	10974-12786;30001-30243	P-UB-10	90 mm	130 mm	VME-14514454	356.58
	14541237	12787-13234;30244-;80001-81034	P-UB-10	90 mm	130 mm	VME-14514454	356.58
	14541267	10974-12729;12787-13234;30001-30243;30244-;80001-81034	P-UB-10	90 mm	130 mm	VME-14514454	356.58
	14563959	13235-;81035-	P-UB-10	90 mm	130 mm	VME-14514454	356.58
	14563965	13235-;81035-	P-UB-10	90 mm	130 mm	VME-14514454	356.58
BUCKET (LR)	14510883	10001-10973	P-UB-10	70 mm	100 mm	VME-14547310	280.15
	14514560	10001-10973	P-UB-10	70 mm	100 mm	VME-14547310	280.15
	14522846	10974-13234;30001-;80001-81034	P-UB-10	70 mm	100 mm	VME-14547310	280.15
	14522900	10974-13234;30001-;80001-81034	P-UB-10	70 mm	100 mm	VME-14547310	280.15
	14564132	13235-;81035-	P-UB-10	70 mm	100 mm	VME-14547310	280.15
	14564139	13235-;81035-	P-UB-10	70 mm	100 mm	VME-14547310	280.15
DIPPER ARM	14510809	10001-10841	P-UB-10	100 mm	140 mm	VME-14514457	480.08
	14510810	10001-13234;30001-30258;80001-81034	P-UB-10	100 mm	140 mm	VME-14514457	480.08
	14514829	10001-13234;30001-30258;80001-81034	P-UB-10	100 mm	140 mm	VME-14514457	480.08
	14514837	10001-10841	P-UB-10	100 mm	140 mm	VME-14514457	480.08
	14521659	10842-12112	P-UB-10	100 mm	140 mm	VME-14514457	480.08
	14521758	10842-12112	P-UB-10	100 mm	140 mm	VME-14514457	480.08
	14535044	12113-13234;80001-81034	P-UB-10	100 mm	140 mm	VME-14514457	480.08
	14536159	12113-13234;80001-81034	P-UB-10	100 mm	140 mm	VME-14514457	480.08
	14563932	13235-;81035-	P-UB-10	100 mm	140 mm	VME-14514457	480.08
	14563938	13235-;81035-	P-UB-10	100 mm	140 mm	VME-14514457	480.08
	14563941	13235-;81035-	P-UB-10	100 mm	140 mm	VME-14514457	480.08
	14563947	13235-;81035-	P-UB-10	100 mm	140 mm	VME-14514457	480.08
	QUICK-FIT	14522370	11090-	P-U-10	32 mm	70 mm	VME-14523132
MODEL EC240C L							
BOOM	14551710	110001-120001	P-UB-10	90 mm	135 mm	VME-14589134	475.55
	14551713	110001-120001	P-UB-10	105 mm	160 mm	VME-14589130	294.61
	14551713	110001-120001	Bushing	105 mm		VME-9612-10540	55.84
	14551715	110001-120001	P-UB-10	90 mm	135 mm	VME-14589134	475.55
	14551718	110001-120001	P-UB-10	105 mm	160 mm	VME-14589130	294.61
	14551718	110001-120001	Bushing	105 mm		VME-9612-10540	55.84
	BUCKET	14550919	110001-120001	P-UB-10	70 mm	100 mm	VME-14589125
14550919		110001-120001	Bushing	70 mm		VME-9612-07040	33.24
14551353		110001-120001	P-UB-10	70 mm	100 mm	VME-14589125	170.58
14551353		110001-120001	Bushing	70 mm		VME-9612-07040	33.24
14551712		110001-120001	P-UB-10	90 mm	130 mm	VME-14589133	464.00
14551712		110001-120001	Bushing	90 mm		VME-9612-09040	46.35
14551717		110001-120001	P-UB-10	90 mm	130 mm	VME-14589133	464.00
14551717		110001-120001	Bushing	90 mm		VME-9612-09040	46.35
DIPPER ARM	14551416	110001-120001	P-UB-10	100 mm	140 mm	VME-14589135	339.97
	14551416	110001-120001	Bushing	100 mm		VME-9612-10040	49.41
	14551711	110001-120001	P-UB-10	100 mm	140 mm	VME-14589135	339.97
	14551711	110001-120001	Bushing	100 mm		VME-9612-10040	49.41
	14551714	110001-120001	P-UB-10	100 mm	140 mm	VME-14589135	339.97
	14551714	110001-120001	Bushing	100 mm		VME-9612-10040	49.41
	14551719	110001-120001	P-UB-10	100 mm	140 mm	VME-14589135	339.97
	14551719	110001-120001	Bushing	100 mm		VME-9612-10040	49.41
QUICK-FIT	14522370	110001-120001	P-U-10	32 mm	70 mm	VME-14523132	141.28
MODEL EC240C LD							
BOOM	14551710	110001-120001	P-UB-10	90 mm	135 mm	VME-14589134	475.55

LR - Long Reach SLF - Super Long Front QF - Quick Fit FS - Front Shovel MH - Material Handle AS - Articulate Slope

VOLVO

Replacement Kits For

Excavators							
APPLICATION	CYL #	SERIAL #	CODE	ROD	BORE	KIT #	List \$
MODEL EC240C LD							
BOOM	14551713	110001-120001	P-UB-10	105 mm	160 mm	VME-14589130	294.61
	14551713	110001-120001	Bushing	105 mm		VME-9612-10540	55.84
	14551715	110001-120001	P-UB-10	90 mm	135 mm	VME-14589134	475.55
	14551718	110001-120001	P-UB-10	105 mm	160 mm	VME-14589130	294.61
	14551718	110001-120001	Bushing	105 mm		VME-9612-10540	55.84
BUCKET	14550919	110001-120001	P-UB-10	70 mm	100 mm	VME-14589125	170.58
	14550919	110001-120001	Bushing	70 mm		VME-9612-07040	33.24
	14551353	110001-120001	P-UB-10	70 mm	100 mm	VME-14589125	170.58
	14551353	110001-120001	Bushing	70 mm		VME-9612-07040	33.24
	14551712	110001-120001	P-UB-10	90 mm	130 mm	VME-14589133	464.00
	14551712	110001-120001	Bushing	90 mm		VME-9612-09040	46.35
	14551717	110001-120001	P-UB-10	90 mm	130 mm	VME-14589133	464.00
	14551717	110001-120001	Bushing	90 mm		VME-9612-09040	46.35
DIPPER ARM	14551416	110001-120001	P-UB-10	100 mm	140 mm	VME-14589135	339.97
	14551416	110001-120001	Bushing	100 mm		VME-9612-10040	49.41
	14551711	110001-120001	P-UB-10	100 mm	140 mm	VME-14589135	339.97
	14551711	110001-120001	Bushing	100 mm		VME-9612-10040	49.41
	14551714	110001-120001	P-UB-10	100 mm	140 mm	VME-14589135	339.97
	14551714	110001-120001	Bushing	100 mm		VME-9612-10040	49.41
	14551719	110001-120001	P-UB-10	100 mm	140 mm	VME-14589135	339.97
	14551719	110001-120001	Bushing	100 mm		VME-9612-10040	49.41
QUICK-FIT	14522370	110001-120001	P-U-10	32 mm	70 mm	VME-14523132	141.28
MODEL EC240C LR							
BOOM	14551710	110001-120001	P-UB-10	90 mm	135 mm	VME-14589134	475.55
	14551715	110001-120001	P-UB-10	90 mm	135 mm	VME-14589134	475.55
BUCKET	14550919	110001-120001	P-UB-10	70 mm	100 mm	VME-14589125	170.58
	14550919	110001-120001	Bushing	70 mm		VME-9612-07040	33.24
	14551353	110001-120001	P-UB-10	70 mm	100 mm	VME-14589125	170.58
	14551353	110001-120001	Bushing	70 mm		VME-9612-07040	33.24
	14551712	110001-120001	P-UB-10	90 mm	130 mm	VME-14589133	464.00
	14551712	110001-120001	Bushing	90 mm		VME-9612-09040	46.35
	14551717	110001-120001	P-UB-10	90 mm	130 mm	VME-14589133	464.00
	14551717	110001-120001	Bushing	90 mm		VME-9612-09040	46.35
DIPPER ARM	14551416	110001-120001	P-UB-10	100 mm	140 mm	VME-14589135	339.97
	14551416	110001-120001	Bushing	100 mm		VME-9612-10040	49.41
	14551711	110001-120001	P-UB-10	100 mm	140 mm	VME-14589135	339.97
	14551711	110001-120001	Bushing	100 mm		VME-9612-10040	49.41
	14551714	110001-120001	P-UB-10	100 mm	140 mm	VME-14589135	339.97
	14551714	110001-120001	Bushing	100 mm		VME-9612-10040	49.41
	14551719	110001-120001	P-UB-10	100 mm	140 mm	VME-14589135	339.97
	14551719	110001-120001	Bushing	100 mm		VME-9612-10040	49.41
QUICK-FIT	14522370	110001-120001	P-U-10	32 mm	70 mm	VME-14523132	141.28
MODEL EC240C NL							
BOOM	14551710	110001-120001	P-UB-10	90 mm	135 mm	VME-14589134	475.55
	14551713	110001-120001	P-UB-10	105 mm	160 mm	VME-14589130	294.61
	14551713	110001-120001	Bushing	105 mm		VME-9612-10540	55.84
	14551715	110001-120001	P-UB-10	90 mm	135 mm	VME-14589134	475.55
	14551718	110001-120001	P-UB-10	105 mm	160 mm	VME-14589130	294.61
	14551718	110001-120001	Bushing	105 mm		VME-9612-10540	55.84
BUCKET	14550919	110001-120001	P-UB-10	70 mm	100 mm	VME-14589125	170.58
	14550919	110001-120001	Bushing	70 mm		VME-9612-07040	33.24
	14551353	110001-120001	P-UB-10	70 mm	100 mm	VME-14589125	170.58
	14551353	110001-120001	Bushing	70 mm		VME-9612-07040	33.24
	14551712	110001-120001	P-UB-10	90 mm	130 mm	VME-14589133	464.00
	14551712	110001-120001	Bushing	90 mm		VME-9612-09040	46.35

LR - Long Reach SLF - Super Long Front QF - Quick Fit FS - Front Shovel MH - Material Handle AS - Articulate Slope

FORMERLY LISTED REPAIR PARTS ARE AVAILABLE ONLINE AT WWW.HERCULESCA.CA
OR BY CONTACTING YOUR REGIONAL HERCULES SALES TEAM.

VOLVO

Replacement Kits For

Excavators							
APPLICATION	CYL #	SERIAL #	CODE	ROD	BORE	KIT #	List \$
MODEL EC240C NL							
BUCKET	14551714	110001-120001	P-UB-10	100 mm	140 mm	VME-14589135	339.97
	14551714	110001-120001	Bushing	100 mm		VME-9612-10040	49.41
	14551717	110001-120001	P-UB-10	90 mm	130 mm	VME-14589133	464.00
	14551717	110001-120001	Bushing	90 mm		VME-9612-09040	46.35
	14551719	110001-120001	P-UB-10	100 mm	140 mm	VME-14589135	339.97
	14551719	110001-120001	Bushing	100 mm		VME-9612-10040	49.41
DIPPER ARM	14551711	110001-120001	P-UB-10	100 mm	140 mm	VME-14589135	339.97
	14551711	110001-120001	Bushing	100 mm		VME-9612-10040	49.41
	14551714	110001-120001	P-UB-10	100 mm	140 mm	VME-14589135	339.97
	14551714	110001-120001	Bushing	100 mm		VME-9612-10040	49.41
	14551719	110001-120001	P-UB-10	100 mm	140 mm	VME-14589135	339.97
	14551719	110001-120001	Bushing	100 mm		VME-9612-10040	49.41
QUICK-FIT	14522370	110001-120001	P-U-10	32 mm	70 mm	VME-14523132	141.28
MODEL EC280							
ARM	143446169		P-UB-10	110 mm	160 mm	VME-11705818	684.41
BOOM	143446151		P-UB-10	100 mm	150 mm	VME-11703474	593.31
BUCKET	143446169		P-UB-10	110 mm	160 mm	VME-11705818	684.41
	143446177		P-UB-10	95 mm	140 mm	VME-11705814	530.86
QUICK FIT	143419398		P-UB-10	32 mm	70 mm	VME-11702311	119.13
MODEL EC290B FX							
BOOM	14510288	10001-13846;30001-30270	P-UB-10	95 mm	140 mm	VME-14513714	501.99
	14514556	10001-13846;30001-30270	P-UB-10	95 mm	140 mm	VME-14513714	501.99
	14530664	13847-14793;30271-;80001-81090	P-UB-10	95 mm	140 mm	VME-14541717	504.93
	14539227	13847-14793;30271-;80001-81090	P-UB-10	95 mm	140 mm	VME-14541717	504.93
	14563840	14794-;81091-	P-UB-10	95 mm	140 mm	VME-14541717	504.93
	14563846	14794-;81091-	P-UB-10	95 mm	140 mm	VME-14541717	504.93
BOOM (Adj 2nd)	14513283	10270-14793;80001-81090	P-UB-10	110 mm	170 mm	VME-14519359	398.97
	14516724	10270-14793;80001-81090	P-UB-10	110 mm	170 mm	VME-14519359	398.97
	14563883	14794-;81091-	P-UB-10	110 mm	170 mm	VME-14519359	398.97
	14563889	14794-;81091-	P-UB-10	110 mm	170 mm	VME-14519359	398.97
BUCKET	14510293	10001-11245;30001-30036	P-UB-10	95 mm	140 mm	VME-14513714	501.99
	14514558	10001-11245;30001-30036	P-UB-10	95 mm	140 mm	VME-14541717	504.93
	14522904	11246-13846;30037-30270;80001-80042	P-UB-10	95 mm	140 mm	VME-14513714	501.99
	14522906	11246-13846;30037-30270;80001-80042	P-UB-10	95 mm	140 mm	VME-14541717	504.93
	14533937	13847-14793;80043-81090;30271-	P-UB-10	95 mm	140 mm	VME-14513714	501.99
	14541245	13847-14793;80043-81090;30271-	P-UB-10	95 mm	140 mm	VME-14541717	504.93
	14563892	14794-;81091-	P-UB-10	95 mm	140 mm	VME-14513714	501.99
	14563898	14794-;81091-	P-UB-10	95 mm	140 mm	VME-14541717	504.93
BUCKET (LR)	14510883	10001-11206;30001-30018	P-UB-10	70 mm	100 mm	VME-14547310	280.15
	14514560	10001-11206;30001-30018	P-UB-10	70 mm	100 mm	VME-14547310	280.15
	14522846	11207-14793;80001-81090;30019-	P-UB-10	70 mm	100 mm	VME-14547310	280.15
	14522900	11207-;30019-	P-UB-10	70 mm	100 mm	VME-14547310	280.15
	14564132	14794-;81091-	P-UB-10	70 mm	100 mm	VME-14547310	280.15
	14564139	30290-;13562-;80001-	P-UB-10	70 mm	100 mm	VME-14547310	280.15
DIPPER ARM	14510443	10001-10951;30001-30006	P-UB-10	105 mm	150 mm	VME-14513715	534.65
	14510790	13562-14793;80001-81090	P-UB-10	105 mm	150 mm	VME-14513715	534.65
	14514557	10001-10951;30001-30006	P-UB-10	105 mm	150 mm	VME-14513715	534.65
	14514559	13562-14793;80001-81090	P-UB-10	105 mm	150 mm	VME-14513715	534.65
	14521658	10952-11245;30007-30036	P-UB-10	105 mm	150 mm	VME-14513715	534.65
	14521664	10952-11245;30007-30036	P-UB-10	105 mm	150 mm	VME-14513715	534.65
	14522902	11246-12927;30037-	P-UB-10	105 mm	150 mm	VME-14513715	534.65
	14522903	11246-12927;30037-	P-UB-10	105 mm	150 mm	VME-14513715	534.65
	14535421	12928-14793;80001-81090	P-UB-10	105 mm	150 mm	VME-14513715	534.65
	14536161	12928-14793;80001-81090	P-UB-10	105 mm	150 mm	VME-14513715	534.65
	14563849	14794-;81091-	P-UB-10	105 mm	150 mm	VME-14513715	534.65

LR - Long Reach SLF - Super Long Front QF - Quick Fit FS - Front Shovel MH - Material Handle AS - Articulate Slope

VOLVO

VOLVO

Replacement Kits For

Excavators							
APPLICATION	CYL #	SERIAL #	CODE	ROD	BORE	KIT #	List \$
MODEL EC290B FX							
DIPPER ARM	14563855	14794-;81091-	P-UB-10	105 mm	150 mm	VME-14513715	534.65
	14563858	14794-;81091-	P-UB-10	105 mm	150 mm	VME-14513715	534.65
	14563880	14794-;81091-	P-UB-10	105 mm	150 mm	VME-14513715	534.65
QUICK-FIT	14522370	11436-	P-U-10	32 mm	70 mm	VME-14523132	141.28
MODEL EC290B LC, EC290B LR							
BOOM	14510288	10001-13846;30001-30270	P-UB-10	95 mm	140 mm	VME-14513714	501.99
	14514556	10001-13846;30001-30270	P-UB-10	95 mm	140 mm	VME-14513714	501.99
	14530664	13847-14793;30271-;80001-81090	P-UB-10	95 mm	140 mm	VME-14541717	504.93
	14539227	13847-14793;30271-;80001-81090	P-UB-10	95 mm	140 mm	VME-14541717	504.93
	14540644	13847-;30271-	P-UB-10	95 mm	140 mm	VME-14541717	504.93
	14563840	14794-;81091-	P-UB-10	95 mm	140 mm	VME-14541717	504.93
	14563846	14794-;81091-	P-UB-10	95 mm	140 mm	VME-14541717	504.93
BOOM (Adj 2nd)	14513283	10001-13561;30001-30289	P-UB-10	110 mm	170 mm	VME-14519359	398.97
	14513283	10270-14793;80001-81090	P-UB-10	110 mm	170 mm	VME-14519359	398.97
	14516724	10001-13561;30001-30289	P-UB-10	110 mm	170 mm	VME-14519359	398.97
	14516724	10270-14793;80001-81090	P-UB-10	110 mm	170 mm	VME-14519359	398.97
	14563883	14794-;81091-	P-UB-10	110 mm	170 mm	VME-14519359	398.97
	14563889	14794-;81091-	P-UB-10	110 mm	170 mm	VME-14519359	398.97
BUCKET	14510293	10001-11245;30001-30036	P-UB-10	95 mm	140 mm	VME-14513714	501.99
	14514558	10001-11245;30001-30036	P-UB-10	95 mm	140 mm	VME-14541717	504.93
	14522904	11246-13846;30037-30270;80001-80042	P-UB-10	95 mm	140 mm	VME-14513714	501.99
	14522906	11246-13846;30037-30270	P-UB-10	95 mm	140 mm	VME-14541717	504.93
	14522906	11246-13846;30037-30270;80001-80042	P-UB-10	95 mm	140 mm	VME-14541717	504.93
	14533937	13847-;30271-	P-UB-10	95 mm	140 mm	VME-14513714	501.99
	14533937	13847-14793;80043-81090;30271-	P-UB-10	95 mm	140 mm	VME-14513714	501.99
	14541245	13847-14793;80043-81090;30271-	P-UB-10	95 mm	140 mm	VME-14541717	504.93
	14563892	14794-;81091-	P-UB-10	95 mm	140 mm	VME-14513714	501.99
	14563898	14794-;81091-	P-UB-10	95 mm	140 mm	VME-14541717	504.93
	BUCKET (LR)	14510883	10001-11206;30001-30018	P-UB-10	70 mm	100 mm	VME-14547310
14514560		10001-11206;30001-30018	P-UB-10	70 mm	100 mm	VME-14547310	280.15
14522846		11207-14793;30019-;80001-81090	P-UB-10	70 mm	100 mm	VME-14547310	280.15
14522900		11207-;30019-	P-UB-10	70 mm	100 mm	VME-14547310	280.15
14564132		14794-;81091-	P-UB-10	70 mm	100 mm	VME-14547310	280.15
DIPPER ARM	14510443	10001-10951;30001-30006	P-UB-10	105 mm	150 mm	VME-14513715	534.65
	14510790	10001-14793;30001-30289;80001-81090	P-UB-10	105 mm	150 mm	VME-14513715	534.65
	14514557	10001-10951;30001-30006	P-UB-10	105 mm	150 mm	VME-14513715	534.65
	14514559	10001-14793;30001-30289;80001-81090	P-UB-10	105 mm	150 mm	VME-14513715	534.65
	14521658	10952-11245;30007-30036	P-UB-10	105 mm	150 mm	VME-14513715	534.65
	14521664	10952-11245;30007-30036	P-UB-10	105 mm	150 mm	VME-14513715	534.65
	14522902	11246-12927;30037-	P-UB-10	105 mm	150 mm	VME-14513715	534.65
	14522903	11246-12927;30037-	P-UB-10	105 mm	150 mm	VME-14513715	534.65
	14535421	12928-14793;80001-81090	P-UB-10	105 mm	150 mm	VME-14513715	534.65
	14536161	12928-14793;80001-81090	P-UB-10	105 mm	150 mm	VME-14513715	534.65
	14563849	14794-;81091-	P-UB-10	105 mm	150 mm	VME-14513715	534.65
	14563855	14794-;81091-	P-UB-10	105 mm	150 mm	VME-14513715	534.65
	14563858	14794-;81091-	P-UB-10	105 mm	150 mm	VME-14513715	534.65
	14563880	14794-;81091-	P-UB-10	105 mm	150 mm	VME-14513715	534.65
	QUICK-FIT	14522370	11436-	P-U-10	32 mm	70 mm	VME-14523132
MODEL EC290B NLC							
BOOM	14510288	10001-13846;30001-30270	P-UB-10	95 mm	140 mm	VME-14513714	501.99
	14514556	10001-13846;30001-30270	P-UB-10	95 mm	140 mm	VME-14513714	501.99
	14530664	13847-14793;30271-;80001-81090	P-UB-10	95 mm	140 mm	VME-14541717	504.93
	14539227	13847-14793;30271-;80001-81090	P-UB-10	95 mm	140 mm	VME-14541717	504.93
	14540644	13847-;30271-	P-UB-10	95 mm	140 mm	VME-14541717	504.93

LR - Long Reach SLF - Super Long Front QF - Quick Fit FS - Front Shovel MH - Material Handle AS - Articulate Slope

FORMERLY LISTED REPAIR PARTS ARE AVAILABLE ONLINE AT WWW.HERCULESCA.CA
OR BY CONTACTING YOUR REGIONAL HERCULES SALES TEAM.

VOLVO

Replacement Kits For

Excavators							
APPLICATION	CYL #	SERIAL #	CODE	ROD	BORE	KIT #	List \$
MODEL EC290B NLC							
BOOM	14563840	14794-;81091-	P-UB-10	95 mm	140 mm	VME-14541717	504.93
	14563846	14794-;81091-	P-UB-10	95 mm	140 mm	VME-14541717	504.93
BOOM (Adj 2nd)	14513283	10001-13561;30001-30289	P-UB-10	110 mm	170 mm	VME-14519359	398.97
	14513283	10270-14793;80001-81090	P-UB-10	110 mm	170 mm	VME-14519359	398.97
	14516724	10001-13561;30001-30289	P-UB-10	110 mm	170 mm	VME-14519359	398.97
	14516724	10270-14793;80001-81090	P-UB-10	110 mm	170 mm	VME-14519359	398.97
	14563883	14794-;81091-	P-UB-10	110 mm	170 mm	VME-14519359	398.97
BUCKET	14563889	14794-;81091-	P-UB-10	110 mm	170 mm	VME-14519359	398.97
	14510293	10001-11245;30001-30036	P-UB-10	95 mm	140 mm	VME-14513714	501.99
	14514558	10001-11245;30001-30036	P-UB-10	95 mm	140 mm	VME-14541717	504.93
	14522904	11246-13846;30037-30270;80001-80042	P-UB-10	95 mm	140 mm	VME-14513714	501.99
	14522906	11246-13846;30037-30270	P-UB-10	95 mm	140 mm	VME-14541717	504.93
	14522906	11246-13846;30037-30270;80001-80042	P-UB-10	95 mm	140 mm	VME-14541717	504.93
	14533937	13847-;30271-	P-UB-10	95 mm	140 mm	VME-14513714	501.99
	14533937	13847-14793;80043-81090;30271-	P-UB-10	95 mm	140 mm	VME-14513714	501.99
	14541245	13847-14793;30271-;80043-81090	P-UB-10	95 mm	140 mm	VME-14541717	504.93
	14563892	14794-;81091-	P-UB-10	95 mm	140 mm	VME-14513714	501.99
BUCKET (LR)	14563898	14794-;81091-	P-UB-10	95 mm	140 mm	VME-14541717	504.93
	14510883	10001-11206;30001-30018	P-UB-10	70 mm	100 mm	VME-14547310	280.15
	14514560	10001-11206;30001-30018	P-UB-10	70 mm	100 mm	VME-14547310	280.15
	14522846	11207-14793;30019-;80001-81090	P-UB-10	70 mm	100 mm	VME-14547310	280.15
	14522900	11207-;30019-	P-UB-10	70 mm	100 mm	VME-14547310	280.15
	14564132	14794-;81091-	P-UB-10	70 mm	100 mm	VME-14547310	280.15
	14564139	30290-;13562-;80001-	P-UB-10	70 mm	100 mm	VME-14547310	280.15
DIPPER ARM	14510443	10001-10951;30001-30006	P-UB-10	105 mm	150 mm	VME-14513715	534.65
	14510790	10001-14793;30001-30289;80001-81090	P-UB-10	105 mm	150 mm	VME-14513715	534.65
	14514557	10001-10951;30001-30006	P-UB-10	105 mm	150 mm	VME-14513715	534.65
	14514559	10001-14793;30001-30289;80001-81090	P-UB-10	105 mm	150 mm	VME-14513715	534.65
	14521658	10952-11245;30007-30036	P-UB-10	105 mm	150 mm	VME-14513715	534.65
	14521664	10952-11245;30007-30036	P-UB-10	105 mm	150 mm	VME-14513715	534.65
	14522902	11246-12927;30037-	P-UB-10	105 mm	150 mm	VME-14513715	534.65
	14522903	11246-12927;30037-	P-UB-10	105 mm	150 mm	VME-14513715	534.65
	14535421	12928-14793;80001-81090	P-UB-10	105 mm	150 mm	VME-14513715	534.65
	14536161	12928-14793;80001-81090	P-UB-10	105 mm	150 mm	VME-14513715	534.65
	14563849	14794-;81091-	P-UB-10	105 mm	150 mm	VME-14513715	534.65
	14563855	14794-;81091-	P-UB-10	105 mm	150 mm	VME-14513715	534.65
	14563858	14794-;81091-	P-UB-10	105 mm	150 mm	VME-14513715	534.65
	14563880	14794-;81091-	P-UB-10	105 mm	150 mm	VME-14513715	534.65
	QUICK-FIT	14522370	11436-	P-U-10	32 mm	70 mm	VME-14523132
MODEL EC290C L							
BOOM	14550418	110001-	P-UB-10	95 mm	140 mm	VME-14589136	347.95
	14550427	110001-	P-UB-10	95 mm	140 mm	VME-14589136	347.95
	14550714	110001-	P-UB-10	110 mm	170 mm	VME-14589137	366.72
	14550714	110001-	Bushing	110 mm		VME-9612-11050	54.05
	14550715	110001-	P-UB-10	110 mm	170 mm	VME-14589137	366.72
	14550715	110001-	Bushing	110 mm		VME-9612-11050	54.05
BUCKET	14550435	110001-	P-UB-10	95 mm	140 mm	VME-14589136	347.95
	14550436	110001-	P-UB-10	95 mm	140 mm	VME-14589136	347.95
	14550919	110001-	P-UB-10	70 mm	100 mm	VME-14589125	170.58
	14550919	110001-	Bushing	70 mm		VME-9612-07040	33.24
	14551353	110001-	P-UB-10	70 mm	100 mm	VME-14589125	170.58
DIPPER ARM	14551353	110001-	Bushing	70 mm		VME-9612-07040	33.24
	14550433	110001-	P-UB-10	105 mm	150 mm	VME-14589138	429.38
	14550433	110001-	Bushing	105 mm		VME-9612-10540	55.84
	14550434	110001-	P-UB-10	105 mm	150 mm	VME-14589138	429.38

LR - Long Reach SLF - Super Long Front QF - Quick Fit FS - Front Shovel MH - Material Handle AS - Articulate Slope

VOLVO

Replacement Kits For

Excavators							
APPLICATION	CYL #	SERIAL #	CODE	ROD	BORE	KIT #	List \$
MODEL EC290C L							
DIPPER ARM	14550434	110001-	Bushing	105 mm		VME-9612-10540	55.84
	14550712	110001-	P-UB-10	105 mm	150 mm	VME-14589138	429.38
	14550712	110001-	Bushing	105 mm		VME-9612-10540	55.84
	14550713	110001-	P-UB-10	105 mm	150 mm	VME-14589138	429.38
	14550713	110001-	Bushing	105 mm		VME-9612-10540	55.84
QUICK-FIT	14522370	110001-	P-U-10	32 mm	70 mm	VME-14523132	141.28
MODEL EC290C LD							
BOOM	14550418	110001-	P-UB-10	95 mm	140 mm	VME-14589136	347.95
	14550427	110001-	P-UB-10	95 mm	140 mm	VME-14589136	347.95
	14550714	110001-	P-UB-10	110 mm	170 mm	VME-14589137	366.72
	14550714	110001-	Bushing	110 mm		VME-9612-11050	54.05
	14550715	110001-	P-UB-10	110 mm	170 mm	VME-14589137	366.72
	14550715	110001-	Bushing	110 mm		VME-9612-11050	54.05
BUCKET	14550435	110001-	P-UB-10	95 mm	140 mm	VME-14589136	347.95
	14550436	110001-	P-UB-10	95 mm	140 mm	VME-14589136	347.95
	14550919	110001-	P-UB-10	70 mm	100 mm	VME-14589125	170.58
	14550919	110001-	Bushing	70 mm		VME-9612-07040	33.24
	14551353	110001-	P-UB-10	70 mm	100 mm	VME-14589125	170.58
	14551353	110001-	Bushing	70 mm		VME-9612-07040	33.24
DIPPER ARM	14550433	110001-	P-UB-10	105 mm	150 mm	VME-14589138	429.38
	14550433	110001-	Bushing	105 mm		VME-9612-10540	55.84
	14550434	110001-	P-UB-10	105 mm	150 mm	VME-14589138	429.38
	14550434	110001-	Bushing	105 mm		VME-9612-10540	55.84
	14550712	110001-	P-UB-10	105 mm	150 mm	VME-14589138	429.38
	14550712	110001-	Bushing	105 mm		VME-9612-10540	55.84
	14550713	110001-	P-UB-10	105 mm	150 mm	VME-14589138	429.38
	14550713	110001-	Bushing	105 mm		VME-9612-10540	55.84
QUICK-FIT	14522370	110001-	P-U-10	32 mm	70 mm	VME-14523132	141.28
MODEL EC290C LR							
BOOM	14550418	110001-	P-UB-10	95 mm	140 mm	VME-14589136	347.95
	14550427	110001-	P-UB-10	95 mm	140 mm	VME-14589136	347.95
	14550714	110001-	P-UB-10	110 mm	170 mm	VME-14589137	366.72
	14550714	110001-	Bushing	110 mm		VME-9612-11050	54.05
	14550715	110001-	P-UB-10	110 mm	170 mm	VME-14589137	366.72
	14550715	110001-	Bushing	110 mm		VME-9612-11050	54.05
BUCKET	14550435	110001-	P-UB-10	95 mm	140 mm	VME-14589136	347.95
	14550436	110001-	P-UB-10	95 mm	140 mm	VME-14589136	347.95
	14550712	110001-	P-UB-10	105 mm	150 mm	VME-14589138	429.38
	14550712	110001-	Bushing	105 mm		VME-9612-10540	55.84
	14550713	110001-	P-UB-10	105 mm	150 mm	VME-14589138	429.38
	14550713	110001-	Bushing	105 mm		VME-9612-10540	55.84
	14550919	110001-	P-UB-10	70 mm	100 mm	VME-14589125	170.58
	14550919	110001-	Bushing	70 mm		VME-9612-07040	33.24
	14551353	110001-	P-UB-10	70 mm	100 mm	VME-14589125	170.58
	14551353	110001-	Bushing	70 mm		VME-9612-07040	33.24
DIPPER ARM	14550433	110001-	P-UB-10	105 mm	150 mm	VME-14589138	429.38
	14550433	110001-	Bushing	105 mm		VME-9612-10540	55.84
	14550434	110001-	P-UB-10	105 mm	150 mm	VME-14589138	429.38
	14550434	110001-	Bushing	105 mm		VME-9612-10540	55.84
	14550712	110001-	P-UB-10	105 mm	150 mm	VME-14589138	429.38
	14550712	110001-	Bushing	105 mm		VME-9612-10540	55.84
	14550713	110001-	P-UB-10	105 mm	150 mm	VME-14589138	429.38
	14550713	110001-	Bushing	105 mm		VME-9612-10540	55.84
	14550714	110001-	P-UB-10	110 mm	170 mm	VME-14589137	366.72
	14550714	110001-	Bushing	110 mm		VME-9612-11050	54.05

LR - Long Reach SLF - Super Long Front QF - Quick Fit FS - Front Shovel MH - Material Handle AS - Articulate Slope

FORMERLY LISTED REPAIR PARTS ARE AVAILABLE ONLINE AT WWW.HERCULESCA.CA
OR BY CONTACTING YOUR REGIONAL HERCULES SALES TEAM.

VOLVO

Replacement Kits For

Excavators							
APPLICATION	CYL #	SERIAL #	CODE	ROD	BORE	KIT #	List \$
MODEL EC290C LR							
DIPPER ARM	14550715	110001-	P-UB-10	110 mm	170 mm	VME-14589137	366.72
	14550715	110001-	Bushing	110 mm		VME-9612-11050	54.05
QUICK-FIT	14522370	110001-	P-U-10	32 mm	70 mm	VME-14523132	141.28
MODEL EC290C NL							
BOOM	14550418	110001-	P-UB-10	95 mm	140 mm	VME-14589136	347.95
	14550427	110001-	P-UB-10	95 mm	140 mm	VME-14589136	347.95
	14550714	110001-	P-UB-10	110 mm	170 mm	VME-14589137	366.72
	14550714	110001-	Bushing	110 mm		VME-9612-11050	54.05
	14550715	110001-	P-UB-10	110 mm	170 mm	VME-14589137	366.72
BUCKET	14550715	110001-	Bushing	110 mm		VME-9612-11050	54.05
	14550435	110001-	P-UB-10	95 mm	140 mm	VME-14589136	347.95
	14550436	110001-	P-UB-10	95 mm	140 mm	VME-14589136	347.95
	14550919	110001-	P-UB-10	70 mm	100 mm	VME-14589125	170.58
	14550919	110001-	Bushing	70 mm		VME-9612-07040	33.24
DIPPER ARM	14551353	110001-	P-UB-10	70 mm	100 mm	VME-14589125	170.58
	14551353	110001-	Bushing	70 mm		VME-9612-07040	33.24
	14550433	110001-	P-UB-10	105 mm	150 mm	VME-14589138	429.38
	14550433	110001-	Bushing	105 mm		VME-9612-10540	55.84
	14550434	110001-	P-UB-10	105 mm	150 mm	VME-14589138	429.38
	14550434	110001-	Bushing	105 mm		VME-9612-10540	55.84
	14550712	110001-	P-UB-10	105 mm	150 mm	VME-14589138	429.38
	14550712	110001-	Bushing	105 mm		VME-9612-10540	55.84
QUICK-FIT	14550713	110001-	P-UB-10	105 mm	150 mm	VME-14589138	429.38
	14550713	110001-	Bushing	105 mm		VME-9612-10540	55.84
QUICK-FIT	14522370	110001-	P-U-10	32 mm	70 mm	VME-14523132	141.28
MODEL EC330B LC							
BOOM	14503654	10001-10712	P-UB-10	105 mm	150 mm	VME-14512968	291.91
	14503654	80001-, 10713-	P-UB-10	105 mm	150 mm	VME-14512968	291.91
	14563836	80001-, 10713-	P-UB-10	105 mm	150 mm	VME-14512968	291.91
BUCKET	14501282	10001-10712	P-UB-10	100 mm	145 mm	VME-14512961	415.60
	14506018	10001-10712	P-UB-10	105 mm	160 mm	VME-14512955	383.15
	14506018	80001-, 10713-	P-UB-10	105 mm	160 mm	VME-14512955	383.15
	14523667	10001-10712	P-UB-10	100 mm	145 mm	VME-14512961	415.60
	14523667	80001-, 10713-	P-UB-10	100 mm	145 mm	VME-14512961	415.60
	14563823	80001-, 10713-	P-UB-10	100 mm	145 mm	VME-14512961	415.60
	14563830	80001-, 10713-	P-UB-10	105 mm	160 mm	VME-14512955	383.15
	14572517	80001-, 10713-	P-UB-10	100 mm	145 mm	VME-14512961	415.60
	14572519	80001-, 10713-	P-UB-10	105 mm	160 mm	VME-14512955	383.15
DIPPER ARM	14501281	10001-10712	P-UB-10	115 mm	175 mm	VME-14512950	912.14
	14521660	10001-10712	P-UB-10	115 mm	175 mm	VME-14512950	912.14
	14535416	80001-, 10713-	P-UB-10	115 mm	175 mm	VME-14512950	912.14
	14563816	80001-, 10713-	P-UB-10	115 mm	175 mm	VME-14512950	912.14
MODEL EC330C L							
BOOM	14549596	110001-110152, 140001-140084	P-UB-10	105 mm	160 mm	VME-14589139	481.97
BUCKET	14572518	110001-110152, 140001-140084	P-UB-10	100 mm	145 mm	VME-14589141	395.89
	14572518	110001-110152, 140001-140084	Bushing	100 mm		VME-9612-10040	49.41
	14572520	110001-110152, 140001-140084	P-UB-10	105 mm	160 mm	VME-14589142	444.04
	14572520	110001-110152, 140001-140084	Bushing	105 mm		VME-9612-10540	55.84
DIPPER ARM	14549597	110001-110152, 140001-140084	P-UB-10	115 mm	175 mm	VME-14589140	709.07
	14549597	110001-110152, 140001-140084	Bushing	115 mm		VME-9612-11545	74.09
QUICK-FIT	14522371	110001-110152, 140001-140084	P-U-10	32 mm	90 mm	VME-14522992	122.20
MODEL EC330C LD							
BOOM	14549596	110001-110152, 140001-140084	P-UB-10	105 mm	160 mm	VME-14589139	481.97
BUCKET	14572518	110001-110152, 140001-140084	P-UB-10	100 mm	145 mm	VME-14589141	395.89
	14572518	110001-110152, 140001-140084	Bushing	100 mm		VME-9612-10040	49.41

LR - Long Reach SLF - Super Long Front QF - Quick Fit FS - Front Shovel MH - Material Handle AS - Articulate Slope

VOLVO

Replacement Kits For

Excavators							
APPLICATION	CYL #	SERIAL #	CODE	ROD	BORE	KIT #	List \$
MODEL EC330C LD							
BUCKET	14572520	110001-110152, 140001-140084	P-UB-10	105 mm	160 mm	VME-14589142	444.04
	14572520	110001-110152, 140001-140084	Bushing	105 mm		VME-9612-10540	55.84
DIPPER ARM	14549597	110001-110152, 140001-140084	P-UB-10	115 mm	175 mm	VME-14589140	709.07
	14549597	110001-110152, 140001-140084	Bushing	115 mm		VME-9612-11545	74.09
QUICK FIT	14522371	110001-110152, 140001-140084	P-U-10	32 mm	90 mm	VME-14522992	122.20
MODEL EC340							
ARM	14344619		P-UB-10	125 mm	170 mm	VME-11702757	802.41
BOOM	143446185		P-UB-10	105 mm	150 mm	VME-11702744	548.18
BUCKET	14344620	1227-	P-UB-10	105 mm	150 mm	VME-11705815	577.69
BUCKET (QF)	143419398		P-UB-10	32 mm	70 mm	VME-11702311	119.13
MODEL EC360							
BOOM	114604980	Standard seal kit	P-UB-14	105 mm	160 mm	VME-814816020	671.20
	114607440	Tropical seal kit	P-UB-14	105 mm	160 mm	VME-814816130	671.20
BUCKET		Tropical seal kit	P-UB-14	105 mm	150 mm	VME-814816150	546.03
	114605000	Standard seal kit	P-UB-14	105 mm	150 mm	VME-814816030	535.31
DIPPER ARM	114604990	Standard seal kit	P-UB-14	115 mm	170 mm	VME-814816040	771.32
	114607450	Tropical seal kit	P-UB-14	115 mm	170 mm	VME-814816140	771.32
MODEL EC360B LC, EC360B LR							
BOOM	14508896	10001-12151;12152-12657;80001-80899	P-UB-10	105 mm	160 mm	VME-14512948	525.58
	14563810	12152-;80001-	P-UB-10	105 mm	160 mm	VME-14512948	525.58
BUCKET	14501282	10001-10692	P-UB-10	100 mm	145 mm	VME-14512961	415.60
	14506018	10001-12151;12152-12657;80001-80899	P-UB-10	105 mm	160 mm	VME-14512955	383.15
	14523667	10693-;12152-12657;80001-80899	P-UB-10	100 mm	145 mm	VME-14512961	415.60
	14563823	12658-12815;80900-80940	P-UB-10	100 mm	145 mm	VME-14512961	415.60
	14563830	12658-12815;80900-80940	P-UB-10	105 mm	160 mm	VME-14512955	383.15
	14572517	12152-;80001-	P-UB-10	100 mm	145 mm	VME-14512961	415.60
	14572519	12816-;80941-	P-UB-10	105 mm	160 mm	VME-14512955	383.15
COUNTERWEIGHT	14507604	10001-12151;12152-;80001-	P-UB-14	80 mm	160 mm	VME-14510588	270.07
DIPPER ARM	14501281	10001-10589	P-UB-10	115 mm	175 mm	VME-14512950	912.14
	14521660	10590-11505	P-UB-10	115 mm	175 mm	VME-14512950	912.14
	14535416	11506-;12152-12657;80001-80899	P-UB-10	115 mm	175 mm	VME-14512950	912.14
	14563816	12658-;80900-	P-UB-10	115 mm	175 mm	VME-14512950	912.14
QUICK-FIT	1171-90630	10001-12151	P-U-10	32 mm	90 mm	VME-14510912	131.03
	14522371	10001-12151;12152-;80001-	P-U-10	32 mm	90 mm	VME-14522992	122.20
MODEL EC360B NLC							
BOOM	14508896	10001-12657;80001-80899	P-UB-10	105 mm	160 mm	VME-14512948	525.58
	14563810	12152-;80001-	P-UB-10	105 mm	160 mm	VME-14512948	525.58
BUCKET	14501282	10001-10692	P-UB-10	100 mm	145 mm	VME-14512961	415.60
	14506018	10001-12657;80001-80899	P-UB-10	105 mm	160 mm	VME-14512955	383.15
	14523667	10693-;12152-12657;80001-80899	P-UB-10	100 mm	145 mm	VME-14512961	415.60
	14563823	12658-12815;80900-80940	P-UB-10	100 mm	145 mm	VME-14512961	415.60
	14563830	12658-12815;80900-80940	P-UB-10	105 mm	160 mm	VME-14512955	383.15
	14572517	12152-;80001-	P-UB-10	100 mm	145 mm	VME-14512961	415.60
	14572519	12816-;80941-	P-UB-10	105 mm	160 mm	VME-14512955	383.15
COUNTERWEIGHT	14507604	10001-12151;12152-;80001-	P-UB-14	80 mm	160 mm	VME-14510588	270.07
DIPPER ARM	14501281	10001-10589	P-UB-10	115 mm	175 mm	VME-14512950	912.14
	14521660	10590-11505	P-UB-10	115 mm	175 mm	VME-14512950	912.14
	14535416	11506-;12152-12657;12658-;80001-80899;80900-	P-UB-10	115 mm	175 mm	VME-14512950	912.14
QUICK-FIT	1171-90630	10001-12151	P-U-10	32 mm	90 mm	VME-14510912	131.03
	14522371	10001-12151;12152-;80001-	P-U-10	32 mm	90 mm	VME-14522992	122.20
MODEL EC360C HR							
BOOM	14549596	190001-	P-UB-10	105 mm	160 mm	VME-14589139	481.97
BUCKET	14572352	190001-	P-UB-10	90 mm	130 mm	VME-14589133	464.00
	14572352	190001-	Bushing	90 mm		VME-9612-09040	46.35
	14572518	190001-	P-UB-10	100 mm	145 mm	VME-14589141	395.89

LR - Long Reach SLF - Super Long Front QF - Quick Fit FS - Front Shovel MH - Material Handle AS - Articulate Slope

VOLVO

Replacement Kits For

Excavators							
APPLICATION	CYL #	SERIAL #	CODE	ROD	BORE	KIT #	List \$
MODEL EC360C HR							
BUCKET	14572518	190001-	Bushing	100 mm		VME-9612-10040	49.41
CAB TILT	14586438	190001-	P-U-10	35 mm	65 mm	VME-14597349	97.95
	14586438	190001-	Bushing	35 mm		VME-14597338	30.09
DIPPER ARM	14549597	190001-	P-UB-10	115 mm	175 mm	VME-14589140	709.07
	14549597	190001-	Bushing	115 mm		VME-9612-11545	74.09
	14567071	190001-	P-UB-10	105 mm	150 mm	VME-14589138	429.38
	14567071	190001-	Bushing	105 mm		VME-9612-10540	55.84
QUICK-FIT	14522371	190001-	P-U-10	32 mm	90 mm	VME-14522992	122.20
MODEL EC360C L							
BOOM	14549596	110001-115000, 140001-145000	P-UB-10	105 mm	160 mm	VME-14589139	481.97
BUCKET	14549598	110001-115000, 140001-145000	P-UB-10	100 mm	145 mm	VME-14589141	395.89
	14549598	110001-115000, 140001-145000	Bushing	100 mm		VME-9612-10040	49.41
	14549599	110001-115000, 140001-145000	P-UB-10	105 mm	160 mm	VME-14589142	444.04
	14549599	110001-115000, 140001-145000	Bushing	105 mm		VME-9612-10540	55.84
	14572518	110168-	P-UB-10	100 mm	145 mm	VME-14512961	415.60
	14572518	115001-, 145001-	P-UB-10	100 mm	145 mm	VME-14589141	395.89
	14572518	115001-, 145001-	Bushing	100 mm		VME-9612-10040	49.41
	14572520	110168-	P-UB-10	105 mm	160 mm	VME-14512955	383.15
	14572520	115001-, 145001-	P-UB-10	105 mm	160 mm	VME-14589142	444.04
DIPPER ARM	14549597	110001-115000, 140001-145000	P-UB-10	115 mm	175 mm	VME-14589140	709.07
	14549597	110001-115000, 140001-145000	Bushing	115 mm		VME-9612-11545	74.09
QUICK-FIT	14522371	110001-115000, 140001-145000	P-U-10	32 mm	90 mm	VME-14522992	122.20
MODEL EC360C LD							
BOOM	14549596	115001-, 145001-	P-UB-10	105 mm	160 mm	VME-14589139	481.97
BUCKET	14572518	115001-, 145001-	P-UB-10	100 mm	145 mm	VME-14589141	395.89
	14572518	115001-, 145001-	Bushing	100 mm		VME-9612-10040	49.41
	14572520	115001-, 145001-	P-UB-10	105 mm	160 mm	VME-14589142	444.04
	14572520	115001-, 145001-	Bushing	105 mm		VME-9612-10540	55.84
DIPPER ARM	14549597	115001-, 145001-	P-UB-10	115 mm	175 mm	VME-14589140	709.07
	14549597	115001-, 145001-	Bushing	115 mm		VME-9612-11545	74.09
QUICK-FIT	14522371	115001-, 145001-	P-U-10	32 mm	90 mm	VME-14522992	122.20
MODEL EC360C NL							
BOOM	14549596	110001-, 140001-	P-UB-10	105 mm	160 mm	VME-14589139	481.97
	14549596	115001-, 145001-	P-UB-10	105 mm	160 mm	VME-14589139	481.97
BUCKET	14549598	110001-, 140001-	P-UB-10	100 mm	145 mm	VME-14589141	395.89
	14549598	110001-, 140001-	Bushing	100 mm		VME-9612-10040	49.41
	14549599	110001-, 140001-	P-UB-10	105 mm	160 mm	VME-14589142	444.04
	14549599	110001-, 140001-	Bushing	105 mm		VME-9612-10540	55.84
	14572518	115001-, 145001-	P-UB-10	100 mm	145 mm	VME-14589141	395.89
	14572518	115001-, 145001-	Bushing	100 mm		VME-9612-10040	49.41
	14572520	115001-, 145001-	P-UB-10	105 mm	160 mm	VME-14589142	444.04
	14572520	115001-, 145001-	Bushing	105 mm		VME-9612-10540	55.84
DIPPER ARM	14549597	110001-, 140001-	P-UB-10	115 mm	175 mm	VME-14589140	709.07
	14549597	110001-, 140001-	Bushing	115 mm		VME-9612-11545	74.09
	14549597	115001-, 145001-	P-UB-10	115 mm	175 mm	VME-14589140	709.07
	14549597	115001-, 145001-	Bushing	115 mm		VME-9612-11545	74.09
QUICK-FIT	14522371	110001-, 140001-	P-U-10	32 mm	90 mm	VME-14522992	122.20
	14522371	115001-, 145001-	P-U-10	32 mm	90 mm	VME-14522992	122.20
MODEL EC460B LC, EC460B LR							
BOOM	14508475	10001-11514	P-UB-10	110 mm	165 mm	VME-14513726	622.63
	14508475	11515-12094;80001-82626	P-UB-10	110 mm	165 mm	VME-14513726	622.63
	14556580	12095-;82627-	P-UB-10	110 mm	165 mm	VME-14513726	622.63
BUCKET	1146-07300	10001-10485	P-UB-10	110 mm	165 mm	VME-14513726	622.63
	14505615	10001-12094;80001-80626	P-UB-10	115 mm	175 mm	VME-14512950	912.14

LR - Long Reach SLF - Super Long Front QF - Quick Fit FS - Front Shovel MH - Material Handle AS - Articulate Slope

VOLVO

Replacement Kits For

Excavators							
APPLICATION	CYL #	SERIAL #	CODE	ROD	BORE	KIT #	List \$
MODEL EC460B LC, EC460B LR							
BUCKET	14523673	10486-;11515-12094;80001-80626	P-UB-10	110 mm	165 mm	VME-14513726	622.63
	14559350	12095-12214;80627-80639	P-UB-10	110 mm	165 mm	VME-14513726	622.63
	14561138	12095-12214;80627-80639	P-UB-10	115 mm	175 mm	VME-14512950	912.14
	14572137	12215-;80640-	P-UB-10	110 mm	165 mm	VME-14513726	622.63
	14572515	12215-;80640-	P-UB-10	115 mm	175 mm	VME-14512950	912.14
COUNTERWEIGHT	14507604	10001-11514;11515-;80001-	P-UB-14	80 mm	160 mm	VME-14510588	270.07
DIPPER ARM	1146-07290	10001-10485	P-UB-10	130 mm	190 mm	VME-14513727	588.04
	14523672	10486-11124	P-UB-10	130 mm	190 mm	VME-14513727	588.04
	14535510	11125-;11515-12094;80001-82626	P-UB-10	130 mm	190 mm	VME-14513727	588.04
	14559322	12095-;82627-	P-UB-10	130 mm	190 mm	VME-14513727	588.04
QUICK-FIT	1171-90630	10001-11514	P-U-10	32 mm	90 mm	VME-14510912	131.03
	14522371	10001-11514;11515-;80001-	P-U-10	32 mm	90 mm	VME-14522992	122.20
MODEL EC460C HR							
BOOM	14574729	190001-	P-UB-10	115 mm	175 mm	VME-14589140	709.07
	14574729	190001-	Bushing	115 mm		VME-9612-11545	74.09
BUCKET	14570757	190001-	P-UB-10	110 mm	165 mm	VME-14589145	629.36
	14570757	190001-	Bushing	110 mm		VME-9612-11050	54.05
	14572352	190001-	P-UB-10	90 mm	130 mm	VME-14589133	464.00
	14572352	190001-	Bushing	90 mm		VME-9612-09040	46.35
CAB TILT	14586438	190001-	P-U-10	35 mm	65 mm	VME-14597349	97.95
	14586438	190001-	Bushing	35 mm		VME-14597338	30.09
DIPPER ARM	14549597	190001-	P-UB-10	115 mm	175 mm	VME-14589140	709.07
	14549597	190001-	Bushing	115 mm		VME-9612-11545	74.09
	14595215	190001-	P-UB-10	130 mm	190 mm	VME-14589144	578.97
	14595215	190001-	Bushing	130 mm		VME-9612-13050	62.23
QUICK-FIT	14522371	190001-	P-U-10	32 mm	90 mm	VME-14522992	122.20
MODEL EC460C L							
BOOM	14548954	110001-110506	P-UB-10	110 mm	165 mm	VME-14589143	472.47
	14548954	115001-115434	P-UB-10	110 mm	165 mm	VME-14589143	472.47
BUCKET	14550055	110001-110103	P-UB-10	110 mm	165 mm	VME-14589143	472.47
	14550055	110104-110506	P-UB-10	110 mm	165 mm	VME-14589145	629.36
	14550055	110104-110506	Bushing	110 mm		VME-9612-11050	54.05
	14550055	115001-115434	P-UB-10	110 mm	165 mm	VME-14589145	629.36
	14550055	115001-115434	Bushing	110 mm		VME-9612-11050	54.05
	14550077	110001-110506	P-UB-10	115 mm	175 mm	VME-14589140	709.07
	14550077	110001-110506	Bushing	115 mm		VME-9612-11545	74.09
	14550077	115001-115434	P-UB-10	115 mm	175 mm	VME-14589140	709.07
	14550077	115001-115434	Bushing	115 mm		VME-9612-11545	74.09
	14570757	110104-	P-UB-10	110 mm	165 mm	VME-14573751	672.78
DIPPER ARM	14572516	110104-	P-UB-10	115 mm	175 mm	VME-14512950	912.14
	14550096	110001-110506	P-UB-10	130 mm	190 mm	VME-14589144	578.97
	14550096	110001-110506	Bushing	130 mm		VME-9612-13050	62.23
	14550096	115001-115434	P-UB-10	130 mm	190 mm	VME-14589144	578.97
HYDRAULIC	14550096	115001-115434	Bushing	130 mm		VME-9612-13050	62.23
	14563828	110001-110506	P-UB-14	80 mm	160 mm	VME-14589146	321.27
	14563828	110001-110506	Bushing	80 mm		VME-9611-08030	37.68
	14563828	115001-115434	P-UB-14	80 mm	160 mm	VME-14589146	321.27
QUICK-FIT	14563828	115001-115434	Bushing	80 mm		VME-9611-08030	37.68
	14522371	110001-110506	P-U-10	32 mm	90 mm	VME-14522992	122.20
QUICK-FIT	14522371	115001-115434	P-U-10	32 mm	90 mm	VME-14522992	122.20
MODEL EC460C LD							
BOOM	14548954	115001-115434	P-UB-10	110 mm	165 mm	VME-14589143	472.47
BUCKET	14550055	115001-115434	P-UB-10	110 mm	165 mm	VME-14589145	629.36
	14550055	115001-115434	Bushing	110 mm		VME-9612-11050	54.05
	14550077	115001-115434	P-UB-10	115 mm	175 mm	VME-14589140	709.07

LR - Long Reach SLF - Super Long Front QF - Quick Fit FS - Front Shovel MH - Material Handle AS - Articulate Slope

FORMERLY LISTED REPAIR PARTS ARE AVAILABLE ONLINE AT WWW.HERCULESCA.CA
OR BY CONTACTING YOUR REGIONAL HERCULES SALES TEAM.

VOLVO

Replacement Kits For

Excavators							
APPLICATION	CYL #	SERIAL #	CODE	ROD	BORE	KIT #	List \$
MODEL EC460C LD							
BUCKET	14550077	115001-115434	Bushing	115 mm		VME-9612-11545	74.09
DIPPER ARM	14550096	115001-115434	P-UB-10	130 mm	190 mm	VME-14589144	578.97
	14550096	115001-115434	Bushing	130 mm		VME-9612-13050	62.23
HYDRAULIC	14563828	115001-115434	P-UB-14	80 mm	160 mm	VME-14589146	321.27
	14563828	115001-115434	Bushing	80 mm		VME-9611-08030	37.68
QUICK-FIT	14522371	115001-115434	P-U-10	32 mm	90 mm	VME-14522992	122.20
MODEL EC700B HR							
BOOM	14575093	90001-	P-UB-14	130 mm	200 mm	VME-14599293	1022.80
	14575093	90001-	Bushing	130 mm		VME-9612-13050	62.23
BUCKET	14550435	90001-	P-UB-10	95 mm	140 mm	VME-14589136	347.95
	14564683	90001-	P-UB-10	130 mm	190 mm	VME-14618214	679.76
	14587749	90001-	P-UB-14	130 mm	190 mm	VME-14612139	1086.24
CAB TILT	14587749	90001-	Bushing	130 mm		VME-9612-13050	62.23
	14586438	90001-	P-U-10	35 mm	65 mm	VME-14597349	97.95
DIPPER ARM	14586438	90001-	Bushing	35 mm		VME-14597338	30.09
	14564682	90001-	P-UB-10	150 mm	215 mm	VME-14618213	1167.70
	14587748	90001-	P-UB-14	150 mm	215 mm	VME-14612138	1297.62
	14595215	90001-	P-UB-10	130 mm	190 mm	VME-14589144	578.97
	14595215	90001-	Bushing	130 mm		VME-9612-13050	62.23
MODEL EC700B LC							
BOOM	14511286	10001-10274	P-UB-10	125 mm	190 mm	VME-14618212	895.27
	14564681	10275-10940	P-UB-10	125 mm	190 mm	VME-14618212	895.27
	14587747	10001-10940	P-UB-14	125 mm	190 mm	VME-14612137	951.63
BUCKET	14511684	10001-10940	P-UB-10	140 mm	200 mm	VME-14618215	683.22
	14528492	10001-10940	P-UB-10	130 mm	190 mm	VME-14618214	679.76
	14587749	10001-10940	P-UB-14	130 mm	190 mm	VME-14612139	1086.24
	14587749	10001-10940	Bushing	130 mm		VME-9612-13050	62.23
	14587750	10001-10940	P-UB-14	140 mm	200 mm	VME-14612140	1032.02
DIPPER ARM	14528491	10001-10274	P-UB-10	150 mm	215 mm	VME-14618213	1167.70
	14546548	10001-10274	P-UB-10	150 mm	215 mm	VME-14618213	1167.70
	14564682	10275-10940	P-UB-10	150 mm	215 mm	VME-14618213	1167.70
	14587748	10001-10940	P-UB-14	150 mm	215 mm	VME-14612138	1297.62
HYDRAULIC	14523592	10001-10940	P-UB-14	95 mm	190 mm	VME-14534271	582.84
MODEL EC700C L							
BOOM	14564681	110001-	P-UB-10	125 mm	190 mm	VME-14618212	895.27
	14587747	110001-	P-UB-14	125 mm	190 mm	VME-14612137	951.63
BUCKET	14564683	110001-	P-UB-10	130 mm	190 mm	VME-14618214	679.76
	14564684	110001-	P-UB-10	140 mm	200 mm	VME-14618215	683.22
	14587749	110001-	P-UB-14	130 mm	190 mm	VME-14612139	1086.24
	14587749	110001-	Bushing	130 mm		VME-9612-13050	62.23
	14587750	110001-	P-UB-14	140 mm	200 mm	VME-14612140	1032.02
DIPPER ARM	14564682	110001-	P-UB-10	150 mm	215 mm	VME-14618213	1167.70
	14587748	110001-	P-UB-14	150 mm	215 mm	VME-14612138	1297.62
HYDRAULIC	14523592	110001-	P-UB-14	95 mm	190 mm	VME-14534271	582.84
MODEL EC700C LD							
BOOM	14564681	110001-	P-UB-10	125 mm	190 mm	VME-14618212	895.27
	14587747	110001-	P-UB-14	125 mm	190 mm	VME-14612137	951.63
BUCKET	14564683	110001-	P-UB-10	130 mm	190 mm	VME-14618214	679.76
	14564684	110001-	P-UB-10	140 mm	200 mm	VME-14618215	683.22
	14587749	110001-	P-UB-14	130 mm	190 mm	VME-14612139	1086.24
	14587749	110001-	Bushing	130 mm		VME-9612-13050	62.23
	14587750	110001-	P-UB-14	140 mm	200 mm	VME-14612140	1032.02
DIPPER ARM	14564682	110001-	P-UB-10	150 mm	215 mm	VME-14618213	1167.70
	14587748	110001-	P-UB-14	150 mm	215 mm	VME-14612138	1297.62
HYDRAULIC	14523592	110001-	P-UB-14	95 mm	190 mm	VME-14534271	582.84

LR - Long Reach SLF - Super Long Front QF - Quick Fit FS - Front Shovel MH - Material Handle AS - Articulate Slope

VOLVO

Replacement Kits For

Excavators - Compact							
APPLICATION	CYL #	SERIAL #	CODE	ROD	BORE	KIT #	List \$
MODEL EC15 XR							
BOOM	11800597	10151-99999	P-U-10	35 mm	60 mm	VME-11988180	97.96
	5670789	10151-99999	P-U-10	35 mm	60 mm	VME-5960105	47.69
	5670789	10151-99999	P-U-15	35 mm	60 mm	VME-5960049	38.35
	5670853	10151-99999	P-U-10	35 mm	60 mm	VME-5960105	47.69
	5670853	10151-99999	P-U-15	35 mm	60 mm	VME-5960049	38.35
BOOM EXTENSION	5670508	10151-99999	P-UB-15	30 mm	60 mm	VME-7410836	23.26
BUCKET	11800599	10151-99999	P-U-10	35 mm	60 mm	VME-11988179	63.49
	5670821	10151-99999	P-U-15	35 mm	60 mm	VME-5960049	38.35
	5670821	10151-99999	P-U-10	35 mm	60 mm	VME-5960105	47.69
	5670859	10151-99999	P-U-10	35 mm	60 mm	VME-5960105	47.69
	5670859	10151-99999	P-U-15	35 mm	60 mm	VME-5960049	38.35
DIPPER	11800598	10151-99999	P-U-10	35 mm	60 mm	VME-11988179	63.49
	5670820	10151-99999	P-U-10	35 mm	60 mm	VME-5960105	47.69
	5670820	10151-99999	P-U-15	35 mm	60 mm	VME-5960049	38.35
	5670856	10151-99999	P-U-10	35 mm	60 mm	VME-5960105	47.69
	5670856	10151-99999	P-U-15	35 mm	60 mm	VME-5960049	38.35
DOZER BLADE	11800596	10151-99999	P-U-10	35 mm	63 mm	VME-11988181	67.52
	5670665	10151-99999	P-U-10	35 mm	60 mm	VME-5960105	47.69
	5670665	10151-99999	P-U-15	35 mm	60 mm	VME-5960049	38.35
	5670861	10151-99999	P-U-15	35 mm	60 mm	VME-5960049	38.35
	5670861	10151-99999	P-U-10	35 mm	60 mm	VME-5960105	47.69
SWING	11800600	10151-99999	P-U-10	35 mm	60 mm	VME-11988179	63.49
	5670829	10151-99999	P-U-15	35 mm	60 mm	VME-5960049	38.35
	5670829	10151-99999	P-U-10	35 mm	60 mm	VME-5960105	47.69
	5670864	10151-99999	P-U-10	35 mm	60 mm	VME-5960105	47.69
	5670864	10151-99999	P-U-15	35 mm	60 mm	VME-5960049	38.35
MODEL EC15 XT							
BOOM	11800597	10151-99999	P-U-10	35 mm	60 mm	VME-11988180	97.96
	5670789	10151-99999	P-U-15	35 mm	60 mm	VME-5960049	38.35
	5670789	10151-99999	P-U-10	35 mm	60 mm	VME-5960105	47.69
	5670853	10151-99999	P-U-10	35 mm	60 mm	VME-5960105	47.69
	5670853	10151-99999	P-U-15	35 mm	60 mm	VME-5960049	38.35
BOOM EXTENSION	5670508	10151-99999	P-UB-15	30 mm	60 mm	VME-7410836	23.26
BUCKET	11800599	10151-99999	P-U-10	35 mm	60 mm	VME-11988179	63.49
	5670821	10151-99999	P-U-10	35 mm	60 mm	VME-5960105	47.69
	5670821	10151-99999	P-U-15	35 mm	60 mm	VME-5960049	38.35
	5670859	10151-99999	P-U-10	35 mm	60 mm	VME-5960105	47.69
	5670859	10151-99999	P-U-15	35 mm	60 mm	VME-5960049	38.35
DIPPER	11800598	10151-99999	P-U-10	35 mm	60 mm	VME-11988179	63.49
	5670820	10151-99999	P-U-15	35 mm	60 mm	VME-5960049	38.35
	5670820	10151-99999	P-U-10	35 mm	60 mm	VME-5960105	47.69
	5670856	10151-99999	P-U-15	35 mm	60 mm	VME-5960049	38.35
	5670856	10151-99999	P-U-10	35 mm	60 mm	VME-5960105	47.69
DOZER BLADE	11800596	10151-99999	P-U-10	35 mm	63 mm	VME-11988181	67.52
	5670665	10151-99999	P-U-10	35 mm	60 mm	VME-5960105	47.69
	5670665	10151-99999	P-U-15	35 mm	60 mm	VME-5960049	38.35
	5670861	10151-99999	P-U-15	35 mm	60 mm	VME-5960049	38.35
	5670861	10151-99999	P-U-10	35 mm	60 mm	VME-5960105	47.69
DOZER BLADE, VARIABLE TRACK	11800605	10151-99999	P-U-10	40 mm	70 mm	VME-11988184	76.33
	5670677	10151-99999	P-U-10	40 mm	70 mm	VME-5960104	111.52
	5670862	10151-99999	P-U-10	40 mm	70 mm	VME-5960104	111.52
SWING	11800600	10151-99999	P-U-10	35 mm	60 mm	VME-11988179	63.49
	5670829	10151-99999	P-U-15	35 mm	60 mm	VME-5960049	38.35
	5670829	10151-99999	P-U-10	35 mm	60 mm	VME-5960105	47.69

LR - Long Reach SLF - Super Long Front QF - Quick Fit FS - Front Shovel MH - Material Handle AS - Articulate Slope

FORMERLY LISTED REPAIR PARTS ARE AVAILABLE ONLINE AT WWW.HERCULESCA.CA
OR BY CONTACTING YOUR REGIONAL HERCULES SALES TEAM.

VOLVO

Replacement Kits For

Excavators - Compact							
APPLICATION	CYL #	SERIAL #	CODE	ROD	BORE	KIT #	List \$
MODEL EC15 XT							
SWING	5670864	10151-99999	P-U-15	35 mm	60 mm	VME-5960049	38.35
	5670864	10151-99999	P-U-10	35 mm	60 mm	VME-5960105	47.69
MODEL EC15 XTV							
BOOM	11800597	10151-99999	P-U-10	35 mm	60 mm	VME-11988180	97.96
	5670789	10151-99999	P-U-10	35 mm	60 mm	VME-5960105	47.69
	5670789	10151-99999	P-U-15	35 mm	60 mm	VME-5960049	38.35
	5670853	10151-99999	P-U-15	35 mm	60 mm	VME-5960049	38.35
	5670853	10151-99999	P-U-10	35 mm	60 mm	VME-5960105	47.69
BOOM EXTENSION	5670508	10151-99999	P-UB-15	30 mm	60 mm	VME-7410836	23.26
BUCKET	11800599	10151-99999	P-U-10	35 mm	60 mm	VME-11988179	63.49
	5670821	10151-99999	P-U-15	35 mm	60 mm	VME-5960049	38.35
	5670821	10151-99999	P-U-10	35 mm	60 mm	VME-5960105	47.69
	5670859	10151-99999	P-U-15	35 mm	60 mm	VME-5960049	38.35
	5670859	10151-99999	P-U-10	35 mm	60 mm	VME-5960105	47.69
DIPPER	11800598	10151-99999	P-U-10	35 mm	60 mm	VME-11988179	63.49
	5670820	10151-99999	P-U-15	35 mm	60 mm	VME-5960049	38.35
	5670820	10151-99999	P-U-10	35 mm	60 mm	VME-5960105	47.69
	5670856	10151-99999	P-U-15	35 mm	60 mm	VME-5960049	38.35
	5670856	10151-99999	P-U-10	35 mm	60 mm	VME-5960105	47.69
DOZER BLADE	11800596	10151-99999	P-U-10	35 mm	63 mm	VME-11988181	67.52
	5670665	10151-99999	P-U-10	35 mm	60 mm	VME-5960105	47.69
	5670665	10151-99999	P-U-15	35 mm	60 mm	VME-5960049	38.35
	5670861	10151-99999	P-U-10	35 mm	60 mm	VME-5960105	47.69
	5670861	10151-99999	P-U-15	35 mm	60 mm	VME-5960049	38.35
DOZER BLADE, VARIABLE TRACK	11800605	10151-99999	P-U-10	40 mm	70 mm	VME-11988184	76.33
	5670677	10151-99999	P-U-10	40 mm	70 mm	VME-5960104	111.52
	5670862	10151-99999	P-U-10	40 mm	70 mm	VME-5960104	111.52
SWING	11800600	10151-99999	P-U-10	35 mm	60 mm	VME-11988179	63.49
	5670829	10151-99999	P-U-10	35 mm	60 mm	VME-5960105	47.69
	5670829	10151-99999	P-U-15	35 mm	60 mm	VME-5960049	38.35
	5670864	10151-99999	P-U-10	35 mm	60 mm	VME-5960105	47.69
	5670864	10151-99999	P-U-15	35 mm	60 mm	VME-5960049	38.35
MODEL EC15B XR							
BOOM	11800597	10151-10179	P-U-10	35 mm	60 mm	VME-11988180	97.96
	5670853	10180-UP	P-U-10	35 mm	60 mm	VME-5960105	47.69
BOOM EXTENSION	5670508	10151-99999	P-UB-15	30 mm	60 mm	VME-7410836	23.26
BUCKET	11800599	10151-10179	P-U-10	35 mm	60 mm	VME-11988179	63.49
	5670859	10180-UP	P-U-10	35 mm	60 mm	VME-5960105	47.69
DIPPER	11800598	10151-10179	P-U-10	35 mm	60 mm	VME-11988179	63.49
	5670856	10180-UP	P-U-10	35 mm	60 mm	VME-5960105	47.69
DOZER BLADE	11800596	10151-10179	P-U-10	35 mm	63 mm	VME-11988181	67.52
	5670861	10180-UP	P-U-10	35 mm	60 mm	VME-5960105	47.69
SWING	11800600	10151-10179	P-U-10	35 mm	60 mm	VME-11988179	63.49
	5670864	10180-UP	P-U-10	35 mm	60 mm	VME-5960105	47.69
MODEL EC15B XT							
BOOM	11800597	25151-40000	P-U-10	35 mm	60 mm	VME-11988180	97.96
	5670853	25151-40000	P-U-10	35 mm	60 mm	VME-5960105	47.69
BOOM EXTENSION	5670508	25151-40000	P-UB-15	30 mm	60 mm	VME-7410836	23.26
BUCKET	11800599	25151-40000	P-U-10	35 mm	60 mm	VME-11988179	63.49
	5670859	25151-40000	P-U-10	35 mm	60 mm	VME-5960105	47.69
DIPPER	11800598	25151-40000	P-U-10	35 mm	60 mm	VME-11988179	63.49
	5670856	25151-40000	P-U-10	35 mm	60 mm	VME-5960105	47.69
DOZER BLADE	11800596	25151-40000	P-U-10	35 mm	63 mm	VME-11988181	67.52
	5670861	25151-40000	P-U-10	35 mm	60 mm	VME-5960105	47.69

LR - Long Reach SLF - Super Long Front QF - Quick Fit FS - Front Shovel MH - Material Handle AS - Articulate Slope

VOLVO

Replacement Kits For

Excavators - Compact							
APPLICATION	CYL #	SERIAL #	CODE	ROD	BORE	KIT #	List \$
MODEL EC15B XT							
SWING	11800600	25151-40000	P-U-10	35 mm	60 mm	VME-11988179	63.49
	5670864	25151-40000	P-U-10	35 mm	60 mm	VME-5960105	47.69
MODEL EC15B XTV							
BOOM	11800597	40151-99999	P-U-10	35 mm	60 mm	VME-11988180	97.96
	5670853	40151-99999	P-U-15	35 mm	60 mm	VME-5960049	38.35
	5670853	40151-99999	P-U-10	35 mm	60 mm	VME-5960105	47.69
BOOM EXTENSION	5670508	40151-99999	P-UB-15	30 mm	60 mm	VME-7410836	23.26
BUCKET	11800599	40151-99999	P-U-10	35 mm	60 mm	VME-11988179	63.49
	5670859	40151-99999	P-U-15	35 mm	60 mm	VME-5960049	38.35
	5670859	40151-99999	P-U-10	35 mm	60 mm	VME-5960105	47.69
DIPPER	11800598	40151-99999	P-U-10	35 mm	60 mm	VME-11988179	63.49
	5670856	40151-99999	P-U-10	35 mm	60 mm	VME-5960105	47.69
	5670856	40151-99999	P-U-15	35 mm	60 mm	VME-5960049	38.35
DOZER BLADE	11800596	40151-99999	P-U-10	35 mm	63 mm	VME-11988181	67.52
	5670861	40151-99999	P-U-10	35 mm	60 mm	VME-5960105	47.69
	5670861	40151-99999	P-U-15	35 mm	60 mm	VME-5960049	38.35
SWING	11800600	40151-99999	P-U-10	35 mm	60 mm	VME-11988179	63.49
	5670864	40151-99999	P-U-10	35 mm	60 mm	VME-5960105	47.69
	5670864	40151-99999	P-U-15	35 mm	60 mm	VME-5960049	38.35
MODEL EC20 XT							
BOOM	11800602	10151-99999	P-U-10	35 mm	63 mm	VME-11988183	105.90
	5670788	10151-99999	P-U-15	35 mm	63 mm	VME-5960050	42.13
	5670788	10151-99999	P-U-10	35 mm	63 mm	VME-5960102	58.18
	5670854	10151-99999	P-U-15	35 mm	63 mm	VME-5960050	42.13
	5670854	10151-99999	P-U-10	35 mm	63 mm	VME-5960102	58.18
BUCKET	11800601	10151-99999	P-U-10	35 mm	60 mm	VME-11988179	63.49
	5670822	10151-99999	P-U-15	35 mm	60 mm	VME-5960049	38.35
	5670822	10151-99999	P-U-10	35 mm	60 mm	VME-5960105	47.69
	5670860	10151-99999	P-U-15	35 mm	60 mm	VME-5960049	38.35
	5670860	10151-99999	P-U-10	35 mm	60 mm	VME-5960105	47.69
DIPPER		10151-99999	P-U-10	40 mm	63 mm	VME-15174598	78.08
		10151-99999	P-U-10	35 mm	60 mm	VME-5960105	47.69
	5670829	10151-99999	P-U-15	35 mm	60 mm	VME-5960049	38.35
DOZER BLADE	5670864	10151-99999	P-U-15	35 mm	60 mm	VME-5960049	38.35
	11800605	10151-99999	P-U-10	40 mm	70 mm	VME-11988184	76.33
	5670677	10151-99999	P-U-10	40 mm	70 mm	VME-5960104	111.52
SWING	5670862	10151-99999	P-U-10	40 mm	70 mm	VME-5960104	111.52
	11800600	10151-99999	P-U-10	35 mm	60 mm	VME-11988179	63.49
	5670829	10151-99999	P-U-10	35 mm	60 mm	VME-5960105	47.69
	5670829	10151-99999	P-U-15	35 mm	60 mm	VME-5960049	38.35
	5670864	10151-99999	P-U-10	35 mm	60 mm	VME-5960105	47.69
5670864	10151-99999	P-U-15	35 mm	60 mm	VME-5960049	38.35	
MODEL EC20 XTV							
BOOM	11800602	10151-99999	P-U-10	35 mm	63 mm	VME-11988183	105.90
	5670788	10151-99999	P-U-15	35 mm	63 mm	VME-5960050	42.13
	5670788	10151-99999	P-U-10	35 mm	63 mm	VME-5960102	58.18
	5670854	10151-99999	P-U-10	35 mm	63 mm	VME-5960102	58.18
	5670854	10151-99999	P-U-15	35 mm	63 mm	VME-5960050	42.13
BUCKET	11800601	10151-99999	P-U-10	35 mm	60 mm	VME-11988179	63.49
	5670822	10151-99999	P-U-15	35 mm	60 mm	VME-5960049	38.35
	5670822	10151-99999	P-U-10	35 mm	60 mm	VME-5960105	47.69
	5670860	10151-99999	P-U-10	35 mm	60 mm	VME-5960105	47.69
	5670860	10151-99999	P-U-15	35 mm	60 mm	VME-5960049	38.35
DIPPER		10151-99999	P-U-10	40 mm	63 mm	VME-15174598	78.08
	5670857	10151-99999	P-U-10	40 mm	60 mm	VME-5960103	79.19

LR - Long Reach SLF - Super Long Front QF - Quick Fit FS - Front Shovel MH - Material Handle AS - Articulate Slope

FORMERLY LISTED REPAIR PARTS ARE AVAILABLE ONLINE AT WWW.HERCULESCA.CA
OR BY CONTACTING YOUR REGIONAL HERCULES SALES TEAM.

VOLVO

Replacement Kits For

Excavators - Compact							
APPLICATION	CYL #	SERIAL #	CODE	ROD	BORE	KIT #	List \$
MODEL EC20 XTV							
DIPPER	5670857	10151-99999	P-U-15	40 mm	63 mm	VME-5960051	67.77
DOZER BLADE	11800605	10151-99999	P-U-10	40 mm	70 mm	VME-11988184	76.33
	5670677	10151-99999	P-U-10	40 mm	70 mm	VME-5960104	111.52
	5670862	10151-99999	P-U-10	40 mm	70 mm	VME-5960104	111.52
SWING	11800600	10151-99999	P-U-10	35 mm	60 mm	VME-11988179	63.49
	5670829	10151-99999	P-U-10	35 mm	60 mm	VME-5960105	47.69
	5670829	10151-99999	P-U-15	35 mm	60 mm	VME-5960049	38.35
	5670864	10151-99999	P-U-15	35 mm	60 mm	VME-5960049	38.35
	5670864	10151-99999	P-U-10	35 mm	60 mm	VME-5960105	47.69
MODEL EC20B XT							
BOOM	11800602	60151-80000	P-U-10	35 mm	63 mm	VME-11988183	105.90
	5670854	60151-80000	P-U-10	35 mm	63 mm	VME-5960102	58.18
BUCKET	11800601	60151-80000	P-U-10	35 mm	60 mm	VME-11988179	63.49
	5670860	60151-80000	P-U-10	35 mm	60 mm	VME-5960105	47.69
DIPPER		60151-80000	P-U-10	40 mm	63 mm	VME-15174598	78.08
	5670857	60151-80000	P-U-10	40 mm	60 mm	VME-5960103	79.19
DOZER BLADE	11800605	60151-80000	P-U-10	40 mm	70 mm	VME-11988184	76.33
	5670862	60151-80000	P-U-10	40 mm	70 mm	VME-5960104	111.52
SWING	11800600	60151-80000	P-U-10	35 mm	60 mm	VME-11988179	63.49
	5670864	60151-80000	P-U-10	35 mm	60 mm	VME-5960105	47.69
MODEL EC20B XTV							
BOOM	11800602	80151-99999	P-U-10	35 mm	63 mm	VME-11988183	105.90
	5670854	80151-99999	P-U-10	35 mm	63 mm	VME-5960102	58.18
BUCKET	11800601	80151-99999	P-U-10	35 mm	60 mm	VME-11988179	63.49
	5670860	80151-99999	P-U-10	35 mm	60 mm	VME-5960105	47.69
DIPPER		80151-99999	P-U-10	40 mm	63 mm	VME-15174598	78.08
	5670857	80151-99999	P-U-10	40 mm	60 mm	VME-5960103	79.19
DOZER BLADE	11800605	80151-99999	P-U-10	40 mm	70 mm	VME-11988184	76.33
	5670862	80151-99999	P-U-10	40 mm	70 mm	VME-5960104	111.52
SWING	11800600	80151-99999	P-U-10	35 mm	60 mm	VME-11988179	63.49
	5670864	80151-99999	P-U-10	35 mm	60 mm	VME-5960105	47.69
MODEL EC25							
BOOM	11800606	10151-99999	P-U-10	45 mm	70 mm	VME-11988358	109.94
	5670880	10151-99999	P-U-10	45 mm	70 mm	VME-5960121	81.04
BUCKET		10151-99999	P-U-10	40 mm	63 mm	VME-15174598	78.08
	5670850	10151-99999	P-U-10	40 mm	60 mm	VME-5960103	79.19
DIPPER	11800607	10151-99999	P-U-10	45 mm	70 mm	VME-11988359	58.45
	5670851	10151-99999	P-U-10	45 mm	70 mm	VME-5960100	107.52
DOZER BLADE	11800609	10151-99999	P-U-10	50 mm	90 mm	VME-11988360	69.86
	5670882	10151-99999	P-U-10	50 mm	90 mm	VME-5960124	86.96
SWING	11800608	10151-99999	P-U-10	45 mm	70 mm	VME-11988359	58.45
	5670879	10151-99999	P-U-10	45 mm	70 mm	VME-5960100	107.52
MODEL EC30							
BOOM	11800610	10151-99999	P-U-10	45 mm	80 mm	VME-11988361	71.27
	5670877	10151-99999	P-U-10	45 mm	80 mm	VME-5960123	101.21
BUCKET		10151-99999	P-U-10	40 mm	63 mm	VME-15174598	78.08
	5670850	10151-99999	P-U-10	40 mm	60 mm	VME-5960103	79.19
DIPPER	11800611	10151-99999	P-U-10	45 mm	70 mm	VME-11988359	58.45
	5670878	10151-99999	P-U-10	45 mm	70 mm	VME-5960100	107.52
DOZER BLADE	11800609	10151-99999	P-U-10	50 mm	90 mm	VME-11988360	69.86
	5670882	10151-99999	P-U-10	50 mm	90 mm	VME-5960124	86.96
SWING	11800608	10151-99999	P-U-10	45 mm	70 mm	VME-11988359	58.45
	5670879	10151-99999	P-U-10	45 mm	70 mm	VME-5960100	107.52
MODEL EC35							
BOOM	11800615	28310151-28399999	P-U-10	50 mm	90 mm	VME-11988983	100.87

LR - Long Reach SLF - Super Long Front QF - Quick Fit FS - Front Shovel MH - Material Handle AS - Articulate Slope

VOLVO

Replacement Kits For

Excavators - Compact							
APPLICATION	CYL #	SERIAL #	CODE	ROD	BORE	KIT #	List \$
MODEL EC35							
BOOM	PJ5670847	28310151-28399999	P-U-10	50 mm	90 mm	VME-5960122	91.11
BOOM OFFSET	11800614	28310151-28399999	P-U-10	45 mm	80 mm	VME-11988361	71.27
	PJ5670873	28310151-28399999	P-U-10	45 mm	80 mm	VME-5960123	101.21
BUCKET	11800612	28310151-28399999	P-U-10	45 mm	70 mm	VME-11988359	58.45
	PJ5670848	28310151-28399999	P-U-10	45 mm	70 mm	VME-5960100	107.52
DIPPER ARM	11800613	28310151-28399999	P-U-10	50 mm	80 mm	VME-11988963	96.84
	PJ5670849	28310151-28399999	P-U-10	50 mm	80 mm	VME-5960101	117.91
MODEL EC55							
BOOM	1146-06451	5001-7620	P-UB-14	60 mm	105 mm	VME-14589154	283.58
	1146-06461	5001-7620	P-UB-14	60 mm	105 mm	VME-14589154	283.58
	14501658	5001-7620	P-UB-14	60 mm	105 mm	VME-14589154	283.58
	14501659	5001-7620	P-UB-14	60 mm	105 mm	VME-14589154	283.58
	14507999	20001-21355	P-UB-14	60 mm	105 mm	VME-14589154	283.58
BUCKET	1146-01191	20001-21355	P-UB-14	50 mm	80 mm	VME-14589150	218.55
	1146-01191	5001-7620	P-UB-14	50 mm	80 mm	VME-14589150	218.55
DIPPER ARM	14503580	20001-21355	P-UB-14	55 mm	90 mm	VME-14589153	206.60
	14503580	5001-7620	P-UB-14	55 mm	90 mm	VME-14589153	206.60
	14508004	20001-21355	P-UB-14	55 mm	90 mm	VME-14589153	206.60
DOZER BLADE	1146-01201	20001-21355	P-UB-14	60 mm	105 mm	VME-8148-14041	215.38
	1146-01201	5001-7620	P-UB-14	60 mm	105 mm	VME-8148-14041	215.38
SWING	1146-01211	20001-21355	P-UB-14	45 mm	90 mm	VME-8148-14051	178.82
	1146-01211	5001-7620	P-UB-14	45 mm	90 mm	VME-8148-14051	178.82
MODEL EC55B							
BOOM	1146-06461	30001-31254	P-UB-14	60 mm	105 mm	VME-14589154	283.58
	14501658	30001-31254	P-UB-14	60 mm	105 mm	VME-14589154	283.58
	14501659	30001-31254	P-UB-14	60 mm	105 mm	VME-14589154	283.58
	14507999	30001-31254	P-UB-14	60 mm	105 mm	VME-14589154	283.58
	14524922	31255-	P-UB-14	60 mm	105 mm	VME-14589154	283.58
	14524923	31255-	P-UB-14	60 mm	105 mm	VME-14589154	283.58
	14524924	31255-50129	P-UB-14	60 mm	105 mm	VME-14589154	283.58
	14524925	31255-	P-UB-14	60 mm	105 mm	VME-14589154	283.58
	14533036	34476-	P-UB-10	60 mm	110 mm	VME-14589148	172.90
	14535784	34476-	P-UB-10	60 mm	110 mm	VME-14589148	172.90
	14535784	50130-	P-UB-10	60 mm	110 mm	VME-14589148	172.90
	14540392	34476-	P-UB-10	60 mm	110 mm	VME-14589148	172.90
	14540392	50130-	P-UB-10	60 mm	110 mm	VME-14589148	172.90
	BUCKET	1146-01191	30001-31254	P-UB-14	50 mm	80 mm	VME-14589150
14524787		31255	P-UB-14	50 mm	80 mm	VME-14589150	218.55
DIPPER ARM	14503580	30001-	P-UB-14	55 mm	90 mm	VME-14589153	206.60
	14503580	50001-	P-UB-14	55 mm	90 mm	VME-14589153	206.60
	14521124	30001-	P-UB-14	55 mm	90 mm	VME-14589153	206.60
	14521124	50001-	P-UB-14	55 mm	90 mm	VME-14589153	206.60
DOZER BLADE	14518032	30001-32308	P-UB-14	60 mm	105 mm	VME-14520420	211.81
	14518032	50001-50026	P-UB-14	60 mm	105 mm	VME-14520420	211.81
	14528340	32309-	P-UB-14	60 mm	105 mm	VME-14520420	211.81
	14528340	50027-	P-UB-14	60 mm	105 mm	VME-14520420	211.81
SWING	1146-01211	30001-	P-UB-14	45 mm	90 mm	VME-8148-14051	178.82
	1146-01211	50001-	P-UB-14	45 mm	90 mm	VME-8148-14051	178.82
MODEL ECR58							
BOOM	14519229	10001-	P-UB-10	55 mm	100 mm	VME-14524766	123.12
BOOM SWING	14519233	10001-	P-UB-10	45 mm	85 mm	VME-14524769	138.71
BUCKET	14519231	10001-10135	P-UB-10	50 mm	75 mm	VME-14524768	131.81
	14532855	10136-	P-UB-10	50 mm	75 mm	VME-14524768	131.81
DIPPER ARM	14519230	10001-	P-UB-10	55 mm	85 mm	VME-14524767	142.07

LR - Long Reach SLF - Super Long Front QF - Quick Fit FS - Front Shovel MH - Material Handle AS - Articulate Slope

FORMERLY LISTED REPAIR PARTS ARE AVAILABLE ONLINE AT WWW.HERCULESCA.CA
OR BY CONTACTING YOUR REGIONAL HERCULES SALES TEAM.

VOLVO

Replacement Kits For

Excavators - Compact							
APPLICATION	CYL #	SERIAL #	CODE	ROD	BORE	KIT #	List \$
MODEL ECR88							
BOOM	14528551	10001-	P-UB-10	70 mm	105 mm	VME-14530833	215.15
	14528552	10001-	P-UB-10	70 mm	105 mm	VME-14530833	215.15
BUCKET	14522092	10001-	P-UB-10	55 mm	80 mm	VME-14530719	249.13
	14522093	10001-	P-UB-10	55 mm	80 mm	VME-14530719	249.13
DIPPER ARM	14520122	10001-11285	P-UB-10	60 mm	90 mm	VME-14530716	248.92
	14521325	1001-11285	P-UB-10	60 mm	90 mm	VME-14530716	248.92
	14546791	11286-	P-UB-10	60 mm	90 mm	VME-14530716	248.92
	14549303	11286-	P-UB-10	60 mm	90 mm	VME-14530716	248.92
DOZER BLADE	14520124	10001-	P-UB-10	95 mm	130 mm	VME-14530717	221.28
SWING	14520125	10001-	P-UB-10	55 mm	100 mm	VME-14530718	179.55
Forestry - Log Skidders							
APPLICATION	CYL #	SERIAL #	CODE	ROD	BORE	KIT #	List \$
MODEL 662							
STEER & BLADE	1904666	501A;501B;502A;502B	P-U-10	1-3/4	3-1/2	VME-1991086	66.85
MODEL 664							
STEER & BLADE	1904674	C9014;C9024;C9034;C9044	P-U-10	1-3/4	3-1/2	VME-1991086	66.85
	1906258	C9014;C9024;C9034;C9044	P-U-10	1-3/4	3-1/2	VME-1991086	66.85
MODEL 664B							
ARCH	1906258	514E;514F;508A;508B;508C	P-U-10	1-3/4	3-1/2	VME-1991086	66.85
GRAPPLE	1916232	514E;514F;508A;508B;508C	P-TR-10	2-3/4	6	VME-1991089	150.65
STEER & BLADE	1906258	514E;514F;508A;508B;508C	P-U-10	1-3/4	3-1/2	VME-1991086	66.85
MODEL 664C							
ARCH	1904666	514H;508H;546H	P-U-10	1-3/4	3-1/2	VME-1991086	66.85
GRAPPLE	1916232	514H;508H;546H	P-TR-10	2-3/4	6	VME-1991089	150.65
STEER & BLADE	1904666	514H;508H;546H	P-U-10	1-3/4	3-1/2	VME-1991086	66.85
MODEL 664D							
ARCH	2552115	528A-528D;540A;529C;551D-551G	P-UB-10	2	4	VME-2551403	100.43
STEER & BLADE	2552115	528A-528D;540A;529C;551D-551G	P-UB-10	2	4	VME-2551403	100.43
MODEL 666							
STEER & BLADE	1904674	C9016;C9026;C9036;C9046	P-U-10	1-3/4	3-1/2	VME-1991086	66.85
	1906258	C9016;C9026;C9036;C9046	P-U-10	1-3/4	3-1/2	VME-1991086	66.85
MODEL 666B							
ARCH	1906258	513E-513G;515A;500D-500G;526A	P-U-10	1-3/4	3-1/2	VME-1991086	66.85
GRAPPLE	1916232	513E-513G;515A;500D-500G;526A	P-TR-10	2-3/4	6	VME-1991089	150.65
STEER & BLADE	1904674	513E-513G;515A;500D-500G;526A	P-U-10	1-3/4	3-1/2	VME-1991086	66.85
	1906258	513E-513G;515A;500D-500G;526A	P-U-10	1-3/4	3-1/2	VME-1991086	66.85
MODEL 666C							
ARCH	1904666	513H;500H;515H;542H;526H	P-U-10	1-3/4	3-1/2	VME-1991086	66.85
GRAPPLE	1916232	513H;500H;515H;542H;526H	P-TR-10	2-3/4	6	VME-1991089	150.65
	2552121	513H;500H;515H;542H;526H	P-UB-10	2	4	VME-2551403	100.43
STEER & BLADE	1904666	513H;500H;515H;542H;526H	P-U-10	1-3/4	3-1/2	VME-1991086	66.85
MODEL 666D							
ARCH	2552115	548A;549A;552A;555A;559A;564B	P-UB-10	2	4	VME-2551403	100.43
BOOM	2552115	548A;549A;552A;555A;559A;564B	P-UB-10	2	4	VME-2551403	100.43
GRAPPLE	2552115	548A;549A;552A;555A;559A;564B	P-UB-10	2	4	VME-2551403	100.43
	2552121	548A;549A;552A;555A;559A;564B	P-UB-10	2	4	VME-2551403	100.43
STEER & BLADE	2552361	548A;549A;552A;555A;559A;564B	P-UB-10	1-3/4	3-1/2	VME-2542570	108.13
MODEL 667C							
ARCH	1917220	503B;504B-C;509B;510B-C;534B-C;535A;536B-C;537A	P-U-10	1-3/4	3-1/2	VME-1991086	66.85
	2552115	503B;504B-C;509B;510B-C;534B-C;535A;536B-C;537A	P-UB-10	2	4	VME-2551403	100.43
BOOM	1919023	503B;504B-C;509B;510B-C;534B-C;535A;536B-C;537A	P-U-10	1-3/4	3-1/2	VME-1991086	66.85
GRAPPLE	1916232	503B;504B-C;509B;510B-C;534B-C;535A;536B-C;537A	P-TR-10	2-3/4	6	VME-1991089	150.65

LR - Long Reach SLF - Super Long Front QF - Quick Fit FS - Front Shovel MH - Material Handle AS - Articulate Slope

VOLVO

Replacement Kits For

Forestry - Log Skidders								
APPLICATION	CYL #	SERIAL #	CODE	ROD	BORE	KIT #	List \$	
MODEL 667C								
STEER & BLADE	1917220	503B;504B-C;509B;510B-C;534B-C;535A;536B-C;537A	P-U-10	1-3/4	3-1/2	VME-1991086	66.85	
MODEL 667D								
ARCH	2552115	534D;534E;535D-G;536D-E;537D-G;556G;557G	P-UB-10	2	4	VME-2551403	100.43	
BOOM	1919023	534D;534E;535D-G;536D-E;537D-G;556G;557G	P-U-10	1-3/4	3-1/2	VME-1991086	66.85	
	2552115	534D;534E;535D-G;536D-E;537D-G;556G;557G	P-UB-10	2	4	VME-2551403	100.43	
STEER & BLADE	2552361	534D;534E;535D-G;536D-E;537D-G;556G;557G	P-UB-10	1-3/4	3-1/2	VME-2542570	108.13	
MODEL 668								
TILT	2518802	505A;507A	P-U-10	1-3/4	3-1/2	VME-2538177	88.10	
MODEL 668B								
TILT	2518802	505B;507B	P-U-10	1-3/4	3-1/2	VME-2538177	88.10	
MODEL 668C								
STEER & BLADE	2537607	505C;507C;532A;533A;538C;539C	P-U-10	2	4	VME-2530107	69.65	
MODEL 668D								
STEER & BLADE	2552141	507D;507E;532D;532E;539D;539E	P-UB-10	2	4	VME-2551403	100.43	
MODEL F65								
ARCH	2552115	553G;553GC;554G;554GC	P-UB-10	2	4	VME-2551403	100.43	
GRAPPLE	2552121	553G;553GC;554G;554GC	P-UB-10	2	4	VME-2551403	100.43	
STEER & BLADE	2552115	553G;553GC;554G;554GC	P-UB-10	2	4	VME-2551403	100.43	
MODEL F665								
ARCH	2552115	553G;554G	P-UB-10	2	4	VME-2551403	100.43	
GRAPPLE	2552121	553G;554G	P-UB-10	2	4	VME-2551403	100.43	
STEER & BLADE	2552115	553G;554G	P-UB-10	2	4	VME-2551403	100.43	
MODEL F666								
ARCH	2552115	559B;555B;564B	P-UB-10	2	4	VME-2551403	100.43	
BOOM	2552115	559B;555B;564B	P-UB-10	2	4	VME-2551403	100.43	
GRAPPLE	2552121	559B;555B;564B	P-UB-10	2	4	VME-2551403	100.43	
STEER & BLADE	2552361	559B;555B;564B	P-UB-10	1-3/4	3-1/2	VME-2542570	108.13	
MODEL F668								
STEER & BLADE	2552141	565A;566A	P-UB-10	2	4	VME-2551403	100.43	
Loaders - Skid Steer								
APPLICATION	CYL #	SERIAL #	CODE	ROD	BORE	KIT #	List \$	
MODEL MC90								
ARM	11841419	60000-61000	I-U-10	1-5/8	2-3/4	VME-11711929	35.78	
TILT LH	11850382	60000-61000	I-U-10	1-1/2	3	VME-11711451	37.33	
TILT RH	11850383	60000-61000	I-U-10	1-1/2	3	VME-11711451	37.33	
MODEL MC90B								
ARM	11841419	61001-62000	I-U-10	1-5/8	2-3/4	VME-11711929	35.78	
TILT LH	11851262	61001-62000	I-U-10	1-1/2	3	VME-11711451	37.33	
TILT RH	11851263	61001-62000	I-U-10	1-1/2	3	VME-11711451	37.33	
Loaders - Wheel								
APPLICATION	CYL #	SERIAL #	CODE	ROD	BORE	KIT #	List \$	
MODEL 12B								
BUCKET	1503797		I-U-10	1-3/4	3-1/2	VME-2516072	59.57	
MODEL 35A								
BOOM	1504471		P-V-10	2-3/4	6	VME-2516065	123.93	
BUCKET	1504470		P-U-10	2	5	VME-2516059	103.88	
CLAMP	2512955		P-V-10	1-3/4	3-1/2	VME-2516071	88.73	
STEERING	1524562		I-U-10	1	2-1/2	VME-2516055	37.09	
	1524563		I-U-10	1	2-1/2	VME-2516055	37.09	
MODEL 35AWS								
BOOM	1504471	C5WG9-301-999;7WG101-C;3WA9-91-999	P-V-10	2-3/4	6	VME-2516065	123.93	
BUCKET	1504470	C5WG9-301-999;7WG101-C;3WA9-91-999	P-U-10	2	5	VME-2516059	103.88	

LR - Long Reach SLF - Super Long Front QF - Quick Fit FS - Front Shovel MH - Material Handle AS - Articulate Slope

FORMERLY LISTED REPAIR PARTS ARE AVAILABLE ONLINE AT WWW.HERCULESCA.CA
OR BY CONTACTING YOUR REGIONAL HERCULES SALES TEAM.

VOLVO

Replacement Kits For

Loaders - Wheel							
APPLICATION	CYL #	SERIAL #	CODE	ROD	BORE	KIT #	List \$
MODEL 35AWS							
CLAMP	2512955		P-V-10	1-3/4	3-1/2	VME-2516071	88.73
STEERING	1524562	C5WG9-301-999;7WG101-;C3WA9-91-999	I-U-10	1	2-1/2	VME-2516055	37.09
	1524563	C5WG9-301-999;7WG101-;C3WA9-91-999	I-U-10	1	2-1/2	VME-2516055	37.09
MODEL 35B							
CLAMP			P-V-10	1-3/4	3-1/2	VME-2516071	88.73
STEERING	1524562		I-U-10	1	2-1/2	VME-2516055	37.09
	1524563		I-U-10	1	2-1/2	VME-2516055	37.09
MODEL 35R							
BOOM			P-V-10	2-3/4	6	VME-2516065	123.93
BUCKET			P-U-10	2	5	VME-2516059	103.88
CLAMP			P-V-10	1-3/4	3-1/2	VME-2516071	88.73
STEERING			I-U-10	1	2-1/2	VME-2516055	37.09
MODEL 45A							
BOOM	1504472		P-U-10	2-3/4	7	VME-2516148	149.70
BUCKET	1504470		P-U-10	2	5	VME-2516059	103.88
STEERING	1524562		I-U-10	1	2-1/2	VME-2516055	37.09
	1524563		I-U-10	1	2-1/2	VME-2516055	37.09
MODEL 45B, 45FB							
BOOM	3980095		P-V-10	2	4-1/2	VME-2516271	79.17
BUCKET	3980108		P-U-10	1-3/4	3-1/2	VME-2516270	84.17
	3980125		P-U-10	1-3/4	3-1/2	VME-2516270	84.17
	1539308		P-V-10	1-3/4	3-1/2	VME-2516071	88.73
CLAMP	1539308		P-V-10	1-3/4	3-1/2	VME-2516071	88.73
GRAPPLE	1539308		P-V-10	1-3/4	3-1/2	VME-2516071	88.73
STEERING	3980906		I-U-10	1-1/4	2-1/2	VME-2516272	67.81
MODEL 55A, 55A-II, 55-III, 55-III A, 55-III A GRR							
BOOM			P-UB-10	2-1/4	5	VME-2542577	136.19
			P-V-10	1-3/4	3-1/2	VME-2516071	88.73
			P-U-10	2-1/4	5	VME-2530108	83.11
	1507822	416A101-416A499;4160A101FSC-4160A499FSC	I-U-10	2-1/4	5	VME-2516060	71.35
	1507823	416A101-416A499;4160A101FSC-4160A499FSC	I-U-10	2-1/4	5	VME-2516060	71.35
	1508377	9BG101-;9BA101-	P-U-10	2	3-1/2	VME-2516073	74.30
	1546056	433A101-;416A500-;4160A500FSC-;4152A102FSC-	I-U-10	2-1/4	5	VME-2516060	71.35
	1546057	433A101-;416A500-;4160A500FSC-;4152A102FSC-	I-U-10	2-1/4	5	VME-2516060	71.35
	2514111	433B700CAC-;433B395FSC-;416C857CAC-;416C205FSC-	P-U-10	2-1/4	5	VME-2516058	81.16
	2514122	433B700CAC-;433B395FSC-;416C857CAC-;416C205FSC-	P-U-10	2-1/4	5	VME-2516058	81.16
BUCKET			P-U-10	2	4	VME-2530107	69.65
			P-UB-10	2	4	VME-2551403	100.43
	1507711	9BG101-;9BA101-	P-U-10	2	3-1/2	VME-2516073	74.30
	1539308		P-V-10	1-3/4	3-1/2	VME-2516071	88.73
	1545412	433A101-433A110;416A101-416A519;4160A500FSC-;4152A102FSC-	P-U-10	2	4	VME-2516090	66.99
	1549758	433A111-;416A520-	P-U-10	2	4	VME-2516090	66.99
CLAMP	1539308		P-V-10	1-3/4	3-1/2	VME-2516071	88.73
SIDE DUMP	1545577		P-U-10	2	3-1/2	VME-2516073	74.30
STEERING			P-UB-10	1-3/4	3-1/2	VME-2542570	108.13
			P-U-10	1-3/4	3-1/2	VME-2538177	88.10
	1503828	9BG101-;9BA101-	I-U-10	1	2-1/2	VME-2516055	37.09
	1508904	416C101FSC-273;4152101ENC-;4152C101FSC-	I-U-10	1-3/4	3-1/2	VME-2516072	59.57
	1508904	433B101C-;433B101ENC-;433B101FSC-631FSC;416C101C-	I-U-10	1-3/4	3-1/2	VME-2516072	59.57

LR - Long Reach SLF - Super Long Front QF - Quick Fit FS - Front Shovel MH - Material Handle AS - Articulate Slope

VOLVO

Replacement Kits For

Loaders - Wheel							
APPLICATION	CYL #	SERIAL #	CODE	ROD	BORE	KIT #	List \$
MODEL 55B							
BOOM			P-V-10	1-3/4	3-1/2	VME-2516071	88.73
			P-U-10	2-1/4	5	VME-2530108	83.11
			P-U-10	2	3-1/2	VME-2516073	74.30
			P-UB-10	2-1/4	5	VME-2542577	136.19
			I-U-10	2-1/4	5	VME-2516060	71.35
	2514111		P-U-10	2-1/4	5	VME-2516058	81.16
	2514122		P-U-10	2-1/4	5	VME-2516058	81.16
BUCKET			P-U-10	2	3-1/2	VME-2516073	74.30
			P-UB-10	2	4	VME-2551403	100.43
			P-U-10	2	4	VME-2516090	66.99
			P-V-10	1-3/4	3-1/2	VME-2516071	88.73
	2532635		P-U-10	2	4	VME-2530107	69.65
CLAMP	1539306		P-V-10	1-3/4	3-1/2	VME-2516071	88.73
SIDE DUMP	1545577		P-U-10	2	3-1/2	VME-2516073	74.30
STEERING			P-UB-10	1-3/4	3-1/2	VME-2542570	108.13
			I-U-10	1	2-1/2	VME-2516055	37.09
			I-U-10	1-3/4	3-1/2	VME-2516072	59.57
	2532705		P-U-10	1-3/4	3-1/2	VME-2538177	88.10
MODEL 75A-II							
BOOM			P-V-10	2-1/4	4-1/2	VME-2516070	103.51
			P-U-10	2	5	VME-2516059	103.88
			P-U-10	2-1/4	5	VME-2516061	99.83
BUCKET			P-U-10	2	4	VME-2516088	100.03
			P-U-10	2	5	VME-2516059	103.88
			P-V-10	2-1/4	4-1/2	VME-2516070	103.51
CLAMP			P-V-10	1-3/4	3-1/2	VME-2516071	88.73
SIDE DUMP			P-V-10	1-3/4	3-1/2	VME-2516071	88.73
STEERING			P-V-10	1-3/4	3-1/2	VME-2516071	88.73
	1503828		I-U-10	1	2-1/2	VME-2516055	37.09
MODEL 75B, LF75B							
BOOM	1518977		P-U-10	2-1/4	5	VME-2516058	81.16
	1518977		P-U-10	2-1/4	5	VME-2530108	83.11
	1518978		P-U-10	2-1/4	5	VME-2516058	81.16
	1518978		P-U-10	2-1/4	5	VME-2530108	83.11
	1546056		I-U-10	2-1/4	5	VME-2516060	71.35
	1546057		I-U-10	2-1/4	5	VME-2516060	71.35
	2514111		P-U-10	2-1/4	5	VME-2516058	81.16
	2514122		P-U-10	2-1/4	5	VME-2516058	81.16
	2518075		P-U-10	2-1/4	5	VME-2530108	83.11
	2518075		P-U-10	2-1/4	5	VME-2516058	81.16
	2518076		P-U-10	2-1/4	5	VME-2530108	83.11
	2518076		P-U-10	2-1/4	5	VME-2516058	81.16
	2527513		P-U-10	2-1/4	5	VME-2530108	83.11
	2527549		P-U-10	2-1/4	5	VME-2530108	83.11
	2528565		P-U-10	2-1/4	5	VME-2530108	83.11
	2528566		P-U-10	2-1/4	5	VME-2530108	83.11
	2541827		P-UB-10	2-1/4	5	VME-2542577	136.19
	2541828		P-UB-10	2-1/4	5	VME-2542577	136.19
BUCKET			P-U-10	2-1/4	5	VME-2530108	83.11
	1511554		P-V-10	2-1/4	4-1/4	VME-2516054	71.18
	2518071		P-V-10	2-1/4	4-1/4	VME-2516054	71.18
	2520412		P-U-10	2-1/4	5	VME-2516058	81.16
	2532204		P-U-10	2-1/4	5	VME-2516058	81.16
	964581		P-UB-10	2-1/4	5	VME-2542577	136.19
CLAMP	1539308		P-V-10	1-3/4	3-1/2	VME-2516071	88.73
SIDE DUMP	1545577		P-U-10	2	3-1/2	VME-2516073	74.30
STEERING			P-U-10	1-3/4	3-1/2	VME-2538177	88.10

LR - Long Reach SLF - Super Long Front QF - Quick Fit FS - Front Shovel MH - Material Handle AS - Articulate Slope

FORMERLY LISTED REPAIR PARTS ARE AVAILABLE ONLINE AT WWW.HERCULESCA.CA
OR BY CONTACTING YOUR REGIONAL HERCULES SALES TEAM.

VOLVO

Replacement Kits For

Loaders - Wheel							
APPLICATION	CYL #	SERIAL #	CODE	ROD	BORE	KIT #	List \$
MODEL 75B, LF75B							
STEERING	1508904		I-U-10	1-3/4	3-1/2	VME-2516072	59.57
	2532706		P-UB-10	1-3/4	3-1/2	VME-2542570	108.13
MODEL 75-III							
BOOM	1503887	10CG101-	P-V-10	2-1/4	4-1/2	VME-2516070	103.51
BUCKET	1503233	10CG101-	P-U-10	2	4	VME-2516088	100.03
	1507808	10CG101-	P-U-10	2	4	VME-2516088	100.03
STEERING	1503828	10CG101-	I-U-10	1	2-1/2	VME-2516055	37.09
MODEL 75-III A							
BOOM			P-U-10	2	5	VME-2516059	103.88
	1535946		P-U-10	2-1/4	5	VME-2516061	99.83
BUCKET			P-U-10	2	5	VME-2516059	103.88
	1509802		P-V-10	2-1/4	4-1/2	VME-2516070	103.51
	1536064		P-V-10	2-1/4	4-1/2	VME-2516070	103.51
CLAMP	1539308		P-V-10	1-3/4	3-1/2	VME-2516071	88.73
SIDE DUMP			P-V-10	1-3/4	3-1/2	VME-2516071	88.73
STEERING	1504836		P-V-10	1-3/4	3-1/2	VME-2516071	88.73
MODEL 85A, 85A-II							
STEERING	1503828		I-U-10	1	2-1/2	VME-2516055	37.09
	1503875		I-U-10	1	2-1/2	VME-2516055	37.09
MODEL 85A-II, 85-III, 85-III A							
BOOM			P-U-10	2	5	VME-2516059	103.88
	1502853		P-V-10	2-3/4	6	VME-2516065	123.93
	1502854		P-V-10	2-3/4	6	VME-2516065	123.93
	1503887		P-V-10	2-1/4	4-1/2	VME-2516070	103.51
BUCKET			P-V-10	2-3/4	6	VME-2516065	123.93
	1507808		P-U-10	2	4	VME-2516088	100.03
	1509813		P-V-10	2-1/4	4-1/2	VME-2516070	103.51
CLAMP			P-V-10	2-1/4	4-1/2	VME-2516070	103.51
SIDE DUMP			P-U-10	2	5	VME-2516059	103.88
STEERING	1503875		I-U-10	1	2-1/2	VME-2516055	37.09
	1531950		P-V-10	1-3/4	3-1/2	VME-2516071	88.73
MODEL 125A, 125A-II, 125-111A							
BOOM	1503235	12AFC101-;12AFG101-	P-V-10	2-3/4	6	VME-2516065	123.93
	1503236		P-U-10	2-3/4	7	VME-2516148	149.70
BUCKET			P-U-10	2-3/4	7	VME-2516148	149.70
	1503234	404A101-404A299;403A101-403A299	P-V-10	2-3/4	6	VME-2516065	123.93
	1509846	12AFC101-;12AFG101-	P-V-10	2-1/4	4-1/2	VME-2516070	103.51
	1543216	404A300-;403A300-	P-V-10	2-3/4	6	VME-2516065	123.93
STEERING			P-V-10	1-3/4	3-1/2	VME-2516071	88.73
MODEL 125B							
BOOM			P-U-10	2-3/4	6	VME-2538182	120.29
			P-UB-10	2-3/4	6	VME-2542568	319.90
	1519174		P-V-10	2-3/4	6	VME-2518493	136.61
	1519175		P-V-10	2-3/4	6	VME-2518493	136.61
	2517389		P-V-10	2-3/4	6	VME-2518493	136.61
	2517390		P-V-10	2-3/4	6	VME-2518493	136.61
BUCKET			P-U-10	2-3/4	5	VME-2538187	82.25
			P-U-10	2-1/4	4-1/2	VME-2538179	77.97
			P-UB-10	2-3/4	5	VME-2542569	122.52
			P-UB-10	2-1/4	4-1/2	VME-2542576	113.54
	1519173		P-V-10	2-1/4	4-1/2	VME-2516152	86.88
	2517395		P-V-10	2-1/4	4-1/2	VME-2516152	86.88
STEERING			P-UB-10	1-3/4	3-1/2	VME-2542570	108.13
			P-U-10	1-3/4	3-1/2	VME-2538177	88.10
	2501171		I-U-10	1-3/4	3-1/2	VME-2516072	59.57

LR - Long Reach SLF - Super Long Front QF - Quick Fit FS - Front Shovel MH - Material Handle AS - Articulate Slope

VOLVO

Replacement Kits For

Loaders - Wheel							
APPLICATION	CYL #	SERIAL #	CODE	ROD	BORE	KIT #	List \$
MODEL 175A							
STEERING	1503987		P-V-10	1-3/4	3-1/2	VME-2516071	88.73
MODEL 175A-II							
STEERING	1503987		P-V-10	1-3/4	3-1/2	VME-2516071	88.73
MODEL 175B							
BOOM			P-V-10	2-3/4	7	VME-2516155	215.18
	1518400		P-V-10	2-3/4	7	VME-2518494	203.22
	2518119		P-V-10	2-3/4	7	VME-2518494	203.22
	2528567		P-UB-10	2-3/4	7	VME-2551397	222.73
	964596		P-U-10	2-3/4	7	VME-2538183	126.79
BUCKET			P-V-10	2-3/4	6	VME-2516065	123.93
	1511622		P-V-10	2-3/4	6	VME-2518493	136.61
	1517851		P-V-10	2-3/4	6	VME-2518493	136.61
	2518125		P-V-10	2-3/4	6	VME-2518493	136.61
	2524276		P-U-10	2-3/4	6	VME-2538182	120.29
	964798		P-UB-10	2-3/4	6	VME-2542568	319.90
STEERING	1511641		P-V-10	2	4-1/2	VME-2516151	68.02
	2518117		P-V-10	2	4-1/2	VME-2516151	68.02
	2532353		P-U-10	2	4-1/2	VME-2538178	72.87
	964586		P-UB-10	2	4-1/2	VME-2551398	105.47
MODEL 175-III, 175-IIIA							
BOOM	1503236		P-U-10	2-3/4	7	VME-2516148	149.70
BUCKET	1503234		P-V-10	2-3/4	6	VME-2516065	123.93
	1543216		P-V-10	2-3/4	6	VME-2516065	123.93
MODEL 275B							
BOOM			P-UB-10	3-1/2	9	VME-2551396	365.60
			P-U-10	3-1/2	9	VME-2538180	249.92
	1511407		P-V-10	3-1/2	9	VME-2516242	218.47
	1511408		P-V-10	3-1/2	9	VME-2516242	218.47
	1518399		P-V-10	3-1/2	9	VME-2516242	218.47
	1537215		I-U-10	3-1/2	9	VME-2516228	191.29
	1537216		I-U-10	3-1/2	9	VME-2516228	191.29
	2504218		P-V-10	3-1/2	9	VME-2516242	218.47
	BUCKET			P-UB-10	2-3/4	7	VME-2551397
			P-U-10	2-3/4	7	VME-2538183	126.79
1511406			P-V-10	2-3/4	7	VME-2516155	215.18
1513815			P-V-10	2-3/4	7	VME-2518494	203.22
2516176			P-V-10	2-3/4	7	VME-2518494	203.22
947456			P-V-10	2-3/4	7	VME-2516155	215.18
STEERING			P-U-10	2-1/4	5-1/4	VME-2538181	97.91
			P-UB-10	2-1/4	5-1/4	VME-2551399	152.83
	1511749		P-V-10	2-1/4	5-1/4	VME-2516274	80.83
	1538181		I-U-10	2-1/4	5-1/4	VME-2516156	80.44
	2516160		P-V-10	2-1/4	5-1/4	VME-2516274	80.83
MODEL 275-III							
BUCKET	1503231		P-U-10	2-3/4	7	VME-2516148	149.70
	1543895		P-U-10	2-3/4	7	VME-2516148	149.70
MODEL 275-IIIA							
BUCKET	1503231		P-U-10	2-3/4	7	VME-2516148	149.70
	1543895		P-U-10	2-3/4	7	VME-2516148	149.70
STEERING	1503241		P-U-10	2-1/4	5-1/2	VME-2516094	97.98
	1515236		P-U-10	2-1/4	5-1/2	VME-2516094	97.98
MODEL 475B							
BUCKET	1513011		P-V-10	4-1/2	9	VME-2516230	242.03
	2514104		P-V-10	4-1/2	9	VME-2516230	242.03
STEERING			P-U-10	2-3/4	7	VME-2526058	142.27
			P-UB-10	2-3/4	7	VME-2551397	222.73

LR - Long Reach SLF - Super Long Front QF - Quick Fit FS - Front Shovel MH - Material Handle AS - Articulate Slope

FORMERLY LISTED REPAIR PARTS ARE AVAILABLE ONLINE AT WWW.HERCULESCA.CA
OR BY CONTACTING YOUR REGIONAL HERCULES SALES TEAM.

VOLVO

Replacement Kits For

Loaders - Wheel							
APPLICATION	CYL #	SERIAL #	CODE	ROD	BORE	KIT #	List \$
MODEL 475B							
STEERING	1503659		P-U-10	2-3/4	7	VME-2516148	149.70
	2514101		P-V-10	2-3/4	7	VME-2518494	203.22
MODEL 475-III A							
BUCKET	1513011		P-V-10	4-1/2	9	VME-2516230	242.03
STEERING	1503659	3AYC101-	P-U-10	2-3/4	7	VME-2516148	149.70
	2514101		P-V-10	2-3/4	7	VME-2518494	203.22
MODEL 675B							
STEERING	1512049	436A	P-U-10	3-1/2	8	VME-2516187	166.81
MODEL L20B							
BUCKET			P-U-10	40 mm	70 mm	VME-11709913	154.21
LIFT	2812347	1700001-1700999	I-UB-10	50 mm	100 mm	VME-11370055	207.94
STEERING	2808059	1700001-1700999	P-U-10	32 mm	70 mm	VME-2906622	110.60
TILT	2812348	1700001-1700499	I-UB-10	50 mm	100 mm	VME-11370055	207.94
MODEL L25B							
BUCKET			P-U-10	40 mm	70 mm	VME-11709913	154.21
LIFT	2812347	1750001-1759999	I-UB-10	50 mm	100 mm	VME-11370055	207.94
STEERING	2808059	1750001-1759999	P-U-10	32 mm	70 mm	VME-2906622	110.60
TILT	11308884	1752065-	I-UB-10	50 mm	100 mm	VME-11370055	207.94
	2812348	1750001-1752064	I-UB-10	50 mm	100 mm	VME-11370055	207.94
MODEL L30							
ATTACHMENT	11001980	70118-	P-U-1	20 mm		VME-11990060	71.57
	11005340	-70117	P-U-1	25 mm		VME-11990175	107.78
	4833424	-70117	P-U-1	20 mm		VME-11990060	71.57
LIFT	11001575	70118-	P-U-15	50 mm	100 mm	VME-6630564	121.28
	11005193	-70117	P-U-15	50 mm	100 mm	VME-6630513	102.74
STEERING	11001574	70118-	P-U-15	32 mm	63 mm	VME-6630661	130.83
	11005192	-70117	P-U-15	32 mm	63 mm	VME-6630661	130.83
TILT	11001576	70118-	P-U-15	40 mm	80 mm	VME-6630662	84.32
	11005194	-70117	P-U-15	40 mm	80 mm	VME-11990106	108.67
MODEL L30B							
BUCKET			P-U-10	40 mm	70 mm	VME-11709913	154.21
LIFT	2808056	1802201-1802999;1812201-1812999; 1822201-1822999;1823601-1823999	P-U-10	45 mm	80 mm	VME-2907081	143.73
	2808056	1832201-1832999;1833601-1833999; 1852201-1852999;1853601-1853999	P-U-10	45 mm	80 mm	VME-2907081	143.73
STEERING	2808059	1802201-1802999;1812201-1812999; 1822201-1822999;1823601-1823999	P-U-10	32 mm	70 mm	VME-2906622	110.60
	2808059	1832201-1832999;1833601-1833999; 1852201-1852999;1853601-1853999	P-U-10	32 mm	70 mm	VME-2906622	110.60
TILT	2808057	1802201-1802999;1812201-1812999; 1822201-1822999;1823601-1823999	P-U-10	50 mm	100 mm	VME-2907091	210.68
	2808057	1832201-1832999;1833601-1833999; 1852201-1852999;1853601-1853999	P-U-10	50 mm	100 mm	VME-2907091	210.68
MODEL L35B							
BUCKET			P-U-10	40 mm	70 mm	VME-11709913	154.21
LIFT	2808049	1862201-1862999;1863601-1869999; 1872201-1872999;1873601-1879999	P-U-10	50 mm	85 mm	VME-2907070	171.22
	2808049	1882201-1882999;1883601-1889999; 1892201-1892999;1893601-1899999	P-U-10	50 mm	85 mm	VME-2907070	171.22
STEERING	2808059	1862201-1862999;1863601-1869999; 1872201-1872999;1873601-1879999	P-U-10	32 mm	70 mm	VME-2906622	110.60
	2808059	1882201-1882999;1883601-1889999; 1892201-1892999;1893601-1899999	P-U-10	32 mm	70 mm	VME-2906622	110.60
TILT	2808057	1862201-1862999;1863601-1869999; 1872201-1872999;1873601-1879999	P-U-10	50 mm	100 mm	VME-2907091	210.68
	2808057	1882201-1882999;1883601-1889999; 1892201-1892999;1893601-1899999	P-U-10	50 mm	100 mm	VME-2907091	210.68

LR - Long Reach SLF - Super Long Front QF - Quick Fit FS - Front Shovel MH - Material Handle AS - Articulate Slope

VOLVO

Replacement Kits For

Loaders - Wheel								
APPLICATION	CYL #	SERIAL #	CODE	ROD	BORE	KIT #	List \$	
MODEL L40B								
LIFT	11306083	1911001-1911499;1921001-1921499	P-U-10	50 mm	110 mm	VME-2907415	191.39	
	11306297	1911001-1911499;1921001-1921499	P-U-10	50 mm	110 mm	VME-11370826	206.41	
	11306961	1921500-1929999	P-U-10	50 mm	110 mm	VME-11370773	166.14	
STEERING	2808059	1911001-1911499;1921001-1929999	P-U-10	32 mm	70 mm	VME-2906622	110.60	
TILT	11306298	-1911117;-1921325	P-U-10	63 mm	125 mm	VME-2907389	227.52	
	11306298	1911118-;1921326-	P-U-10	63 mm	125 mm	VME-2907389	227.52	
	11306298	1921001-1921499;1911001-1911499	P-U-10	65 mm	125 mm	VME-11370750	176.32	
	11306298	1921500-1929999	P-U-10	65 mm	125 mm	VME-11370750	176.32	
MODEL L45B								
BUCKET			P-U-10	40 mm	70 mm	VME-11709913	154.21	
LIFT	11306083	1951001-1951499;1941001-1941499	P-U-10	50 mm	110 mm	VME-2907415	191.39	
	11306961	1951500-1959999;1941500-1949999	P-U-10	50 mm	110 mm	VME-11370773	166.14	
STEERING	2808059	1951001-1959999;1941001-1949999	P-U-10	32 mm	70 mm	VME-2906622	110.60	
TILT	11306298	-1941180;-1951383	P-U-10	63 mm	125 mm	VME-2907389	227.52	
	11306298	1941181-;1951384-	P-U-10	63 mm	125 mm	VME-2907389	227.52	
	11306298	1951001-1951499;1941001-1941499	P-U-10	65 mm	125 mm	VME-11370750	176.32	
	11306298	1951500-1959999;1941500-1949999	P-U-10	65 mm	125 mm	VME-11370750	176.32	
MODEL L50B								
LIFT	11088016	ALL	P-U-15	60 mm	90 mm	VME-11990438	140.72	
	11088016	ALL	P-U-15	60 mm	90 mm	VME-11990438-EX	144.87	
	11088016	ALL	Bushing	60 mm		VME-11088053	3.14	
STEERING	11005137	ALL	P-U-15	40 mm	63 mm	VME-11990439	103.40	
	11005137	ALL	P-U-15	40 mm	63 mm	VME-11990439-EX	105.47	
	11005137	ALL	Bushing	40 mm		VME-11088081	2.09	
	11088072	ALL	P-U-15	40 mm	63 mm	VME-11990439	103.40	
	11088072	ALL	P-U-15	40 mm	63 mm	VME-11990439-EX	105.47	
	11088072	ALL	Bushing	40 mm		VME-11088081	2.09	
TILT	11088017	ALL	P-U-15	70 mm	125 mm	VME-11990437	214.64	
	11088017	ALL	P-U-15	70 mm	125 mm	VME-11990437-EX	222.68	
	11088017	ALL	Bushing	70 mm		VME-11088054	3.67	
MODEL L50C								
LIFT	11088016	9001-10005	P-U-15	60 mm	90 mm	VME-11990438	140.72	
	11088016	9001-10005	P-U-15	60 mm	90 mm	VME-11990438-EX	144.87	
	11088016	9001-10005	Bushing	60 mm		VME-11088053	3.14	
	11088559	10006-11954	P-UB-13	70 mm	100 mm	VME-11998810	309.83	
	11088559	10006-11954	P-UB-13	70 mm	100 mm	VME-11998810-EX	317.79	
	11088559	10006-11954	Bushing	70 mm		VME-11088054	3.67	
	11088559	10006-11954	Wear Ring		100 mm	VME-11088148	5.41	
	11088855	11955-13000	P-UB-13	70 mm	100 mm	VME-11998810	309.83	
	11088855	11955-13000	P-UB-13	70 mm	100 mm	VME-11998810-EX	317.79	
	11088855	11955-13000	Bushing	70 mm		VME-11088054	3.67	
	11088855	11955-13000	Wear Ring		100 mm	VME-11088148	5.41	
	STEERING	11005137	10006-13000	P-U-15	40 mm	63 mm	VME-11990439	103.40
		11005137	10006-13000	P-U-15	40 mm	63 mm	VME-11990439-EX	105.47
11005137		10006-13000	Bushing	40 mm		VME-11088081	2.09	
11088072		10006-13000	P-U-15	40 mm	63 mm	VME-11990439	103.40	
11088072		10006-13000	P-U-15	40 mm	63 mm	VME-11990439-EX	105.47	
11088072		10006-13000	Bushing	40 mm		VME-11088081	2.09	
TILT	11088017	-9441	P-U-15	70 mm	125 mm	VME-11990437	214.64	
	11088017	-9441	P-U-15	70 mm	125 mm	VME-11990437-EX	222.68	
	11088017	-9441	Bushing	70 mm		VME-11088054	3.67	
	11088445	9442-11954	P-U-15	70 mm	125 mm	VME-11990437	214.64	
	11088445	9442-11954	P-U-15	70 mm	125 mm	VME-11990437-EX	222.68	
	11088445	9442-11954	Bushing	70 mm		VME-11088054	3.67	
	11088854	11955-	P-U-15	70 mm	125 mm	VME-11990437	214.64	

LR - Long Reach SLF - Super Long Front QF - Quick Fit FS - Front Shovel MH - Material Handle AS - Articulate Slope

FORMERLY LISTED REPAIR PARTS ARE AVAILABLE ONLINE AT WWW.HERCULESCA.CA
OR BY CONTACTING YOUR REGIONAL HERCULES SALES TEAM.

VOLVO

Replacement Kits For

Loaders - Wheel							
APPLICATION	CYL #	SERIAL #	CODE	ROD	BORE	KIT #	List \$
MODEL L50C							
TILT	11088854	11955-	P-U-15	70 mm	125 mm	VME-11990437-EX	222.68
	11088854	11955-	Bushing	70 mm		VME-11088054	3.67
MODEL L50C OR							
LIFT	11088016	9001-10005	P-U-15	60 mm	90 mm	VME-11990438	140.72
	11088016	9001-10005	P-U-15	60 mm	90 mm	VME-11990438-EX	144.87
	11088016	9001-10005	Bushing	60 mm		VME-11088053	3.14
	11088559	10006-11954	P-UB-13	70 mm	100 mm	VME-11998810	309.83
	11088559	10006-11954	P-UB-13	70 mm	100 mm	VME-11998810-EX	317.79
	11088559	10006-11954	Bushing	70 mm		VME-11088054	3.67
	11088559	10006-11954	Wear Ring		100 mm	VME-11088148	5.41
	11088855	11955-13000	P-UB-13	70 mm	100 mm	VME-11998810	309.83
	11088855	11955-13000	P-UB-13	70 mm	100 mm	VME-11998810-EX	317.79
	11088855	11955-13000	Bushing	70 mm		VME-11088054	3.67
	11088855	11955-13000	Wear Ring		100 mm	VME-11088148	5.41
STEERING	11005137	10006-10966;35001-40000	P-U-15	40 mm	63 mm	VME-11990439	103.40
	11005137	10006-10966;35001-40000	P-U-15	40 mm	63 mm	VME-11990439-EX	105.47
	11005137	10006-10966;35001-40000	Bushing	40 mm		VME-11088081	2.09
	11088072	10006-10966;35001-40000	P-U-15	40 mm	63 mm	VME-11990439	103.40
	11088072	10006-10966;35001-40000	P-U-15	40 mm	63 mm	VME-11990439-EX	105.47
	11088072	10006-10966;35001-40000	Bushing	40 mm		VME-11088081	2.09
TILT	11088017	-9441	P-U-15	70 mm	125 mm	VME-11990437	214.64
	11088017	-9441	P-U-15	70 mm	125 mm	VME-11990437-EX	222.68
	11088017	-9441	Bushing	70 mm		VME-11088054	3.67
	11088445	9442-11954	P-U-15	70 mm	125 mm	VME-11990437	214.64
	11088445	9442-11954	P-U-15	70 mm	125 mm	VME-11990437-EX	222.68
	11088445	9442-11954	Bushing	70 mm		VME-11088054	3.67
	11088854	11955-	P-U-15	70 mm	125 mm	VME-11990437	214.64
	11088854	11955-	P-U-15	70 mm	125 mm	VME-11990437-EX	222.68
	11088854	11955-	Bushing	70 mm		VME-11088054	3.67
MODEL L50D							
LIFT	11088855	70101-80000;13002-14100	P-UB-13	70 mm	100 mm	VME-11998810	309.83
	11088855	70101-80000;13002-14100	P-UB-13	70 mm	100 mm	VME-11998810-EX	317.79
	11088855	70101-80000;13002-14100	Bushing	70 mm		VME-11088054	3.67
	11088855	70101-80000;13002-14100	Wear Ring		100 mm	VME-11088148	5.41
STEERING	11005137	70101-80000;13002-14100	P-U-15	40 mm	63 mm	VME-11990439	103.40
	11005137	70101-80000;13002-14100	P-U-15	40 mm	63 mm	VME-11990439-EX	105.47
	11005137	70101-80000;13002-14100	Bushing	40 mm		VME-11088081	2.09
	11088072	70101-80000;13002-14100	P-U-15	40 mm	63 mm	VME-11990439	103.40
	11088072	70101-80000;13002-14100	P-U-15	40 mm	63 mm	VME-11990439-EX	105.47
	11088072	70101-80000;13002-14100	Bushing	40 mm		VME-11088081	2.09
TILT	11088854	70101-80000;13002-14100	P-U-15	70 mm	125 mm	VME-11990437	214.64
	11088854	70101-80000;13002-14100	P-U-15	70 mm	125 mm	VME-11990437-EX	222.68
	11088854	70101-80000;13002-14100	Bushing	70 mm		VME-11088054	3.67
MODEL L60E							
HYDRAULIC	11005402	1004-99999	P-U-15	60 mm	125 mm	VME-11000107	207.13
	11010770	1004-99999	P-U-1	25 mm		VME-11990175	107.78
	11045350	1004-99999	P-U-15	60 mm	125 mm	VME-11704247	168.14
	11045351	1004-99999	P-U-15	50 mm	100 mm	VME-11704251	73.29
	11045352	1004-99999	P-U-15	70 mm	140 mm	VME-11704250	193.06
	11045353	1004-99999	P-U-15	60 mm	110 mm	VME-11704249	156.90
	11045354	1004-99999	P-U-15	40 mm	80 mm	VME-11704253	81.28
	11045355	1004-99999	P-U-15	40 mm	80 mm	VME-11704253	81.28
	11045356	1004-99999	P-U-15	60 mm	125 mm	VME-11704247	168.14
	11045357	1004-99999	P-U-15	60 mm	110 mm	VME-11704249	156.90
	11045358	1004-99999	P-U-15	80 mm	150 mm	VME-11704689	224.92

LR - Long Reach SLF - Super Long Front QF - Quick Fit FS - Front Shovel MH - Material Handle AS - Articulate Slope

VOLVO

Replacement Kits For

Loaders - Wheel								
APPLICATION	CYL #	SERIAL #	CODE	ROD	BORE	KIT #	List \$	
MODEL L60E								
HYDRAULIC	11045360	1004-99999		P-U-15	50 mm	110 mm	VME-11704252	110.27
	11045361	1004-99999		P-U-15	50 mm	110 mm	VME-11704252	110.27
	11045363	1004-99999		P-U-15	60 mm	110 mm	VME-11704249	156.90
	11045366	1004-99999		P-U-15	60 mm	125 mm	VME-11704248	144.23
	11082749	1004-99999		P-U-15	60 mm	125 mm	VME-11704247	168.14
	11088569	1004-99999		P-U-15	80 mm	150 mm	VME-11700187	144.06
	11107530	1004-99999		P-UB-15	45 mm	70 mm	VME-11709872	109.77
	11107764	1004-99999		P-UB-15	45 mm	70 mm	VME-11709872	109.77
	11107837	1004-99999		P-UB-15	45 mm	70 mm	VME-11709872	109.77
	11142677	1004-99999		P-U-15	40 mm	80 mm	VME-11704253	81.28
	11156699	1004-99999		I-UB-10	32 mm	50 mm	VME-11709821	111.90
	11156701	1004-99999		I-UB-10	32 mm	50 mm	VME-11709821	111.90
	11157999	1004-99999		P-U-15	40 mm	80 mm	VME-11704253	81.28
	11417176	1004-99999		P-U-15	60 mm	125 mm	VME-11704247	168.14
	4784150	1004-99999		P-U-15	40 mm	80 mm	VME-6630662	84.32
	4881335	1004-99999		P-U-15	25 mm	40 mm	VME-6630886	27.82
4881336	1004-99999		P-U-15	25 mm	40 mm	VME-6630886	27.82	
LIFT	11107849	1004-99999		P-UB-10	70 mm	110 mm	VME-11709998	214.90
TILT	11107474	1004-99999		P-UB-10	80 mm	150 mm	VME-11709868	286.04
	11107845	1004-99999		P-UB-10	80 mm	150 mm	VME-11709868	286.04
	11107850	1004-99999		P-UB-10	80 mm	150 mm	VME-11709868	286.04
MODEL L60F								
HYDRAULIC	11107837	4004-, 70601-, 61401-		P-UB-15	45 mm	70 mm	VME-11709872	109.77
LIFT	11107849	4004-, 70601-, 61401-		P-UB-10	70 mm	110 mm	VME-11709998	214.90
TILT	11107845	4004-, 70601-, 61401-		P-UB-10	80 mm	150 mm	VME-11709868	286.04
	11107850	4004-, 70601-, 61401-		P-UB-10	80 mm	150 mm	VME-11709868	286.04
MODEL L60G								
HYDRAULIC	11045357			P-U-15	60 mm	110 mm	VME-11704249	156.90
	11045360			P-U-15	50 mm	110 mm	VME-11704252	110.27
	11045361			P-U-15	50 mm	110 mm	VME-11704252	110.27
	11045363			P-U-15	60 mm	110 mm	VME-11704249	156.90
LIFT	17225205	1009-, 611001-		P-UB-10	70 mm	110 mm	VME-15162235	193.24
	17225205	1009-, 611001-		Bushing	70 mm		VME-11088054	3.67
	17225205	1009-, 611001-		Wear Ring		110 mm	VME-11107528	5.19
STEERING	11107837	1009-, 611001-		P-UB-15	45 mm	70 mm	VME-11709872	109.77
	11107837	1009-, 611001-		Bushing	45 mm		VME-11107549	3.61
TILT	17225208	1009-, 611001-		P-UB-10	80 mm	150 mm	VME-11709868	286.04
	17225208	1009-, 611001-		Bushing	80 mm		VME-11088150	4.12
	17225208	1009-, 611001-		Wear Ring		150 mm	VME-11107289	42.00
	17225209	1009-, 611001-		P-UB-10	80 mm	150 mm	VME-11709868	286.04
	17225209	1009-, 611001-		Bushing	80 mm		VME-11088150	4.12
	17225209	1009-, 611001-		Wear Ring		150 mm	VME-11107289	42.00
MODEL L60H								
HYDRAULIC	11045357			P-U-15	60 mm	110 mm	VME-11704249	156.90
	11045360			P-U-15	50 mm	110 mm	VME-11704252	110.27
	11045361			P-U-15	50 mm	110 mm	VME-11704252	110.27
	11045363			P-U-15	60 mm	110 mm	VME-11704249	156.90
LIFT	17225205	11005-, 621002-		P-UB-10	70 mm	110 mm	VME-15162235	193.24
	17225205	11005-, 621002-		Bushing	70 mm		VME-11088054	3.67
	17225205	11005-, 621002-		Wear Ring		110 mm	VME-11107528	5.19
STEERING	17225200	11005-, 621002-		P-UB-15	45 mm	70 mm	VME-11709872	109.77
	17225200	11005-, 621002-		Bushing	45 mm		VME-11107549	3.61
TILT	17225208	11005-, 621002-		P-UB-10	80 mm	150 mm	VME-17409412	104.22
	17225208	11005-, 621002-		Bushing	80 mm		VME-11088150	4.12
	17225208	11005-, 621002-		Wear Ring		150 mm	VME-11107289	42.00

LR - Long Reach SLF - Super Long Front QF - Quick Fit FS - Front Shovel MH - Material Handle AS - Articulate Slope

FORMERLY LISTED REPAIR PARTS ARE AVAILABLE ONLINE AT WWW.HERCULESCA.CA
OR BY CONTACTING YOUR REGIONAL HERCULES SALES TEAM.

VOLVO

Replacement Kits For

Loaders - Wheel							
APPLICATION	CYL #	SERIAL #	CODE	ROD	BORE	KIT #	List \$
MODEL L60H							
TILT	17225209	11005-, 621002-	P-UB-10	80 mm	150 mm	VME-17409412	104.22
	17225209	11005-, 621002-	Bushing	80 mm		VME-11088150	4.12
	17225209	11005-, 621002-	Wear Ring		150 mm	VME-11107289	42.00
MODEL L70B							
LIFT	11088340	ALL	P-UB-13	70 mm	100 mm	VME-11998810	309.83
	11088340	ALL	P-UB-13	70 mm	100 mm	VME-11998810-EX	317.79
	11088340	ALL	Bushing	70 mm		VME-11088054	3.67
	11088340	ALL	Wear Ring		100 mm	VME-11088148	5.41
STEERING	11088289	ALL	P-U-15	40 mm	63 mm	VME-11990439	103.40
	11088289	ALL	P-U-15	40 mm	63 mm	VME-11990439-EX	105.47
	11088289	ALL	Bushing	40 mm		VME-11088081	2.09
TILT	11088333	ALL	P-UB-14	80 mm	150 mm	VME-11998809	410.16
	11088333	ALL	P-UB-14	80 mm	150 mm	VME-11998809-EX	400.89
	11088333	ALL	Bushing	80 mm		VME-11088150	4.12
	11088333	ALL	Wear Ring		150 mm	VME-11088149	17.52
MODEL L70C							
LIFT	11088340	-15067	P-UB-13	70 mm	100 mm	VME-11998810	309.83
	11088340	-15067	P-UB-13	70 mm	100 mm	VME-11998810-EX	317.79
	11088340	-15067	Bushing	70 mm		VME-11088054	3.67
	11088340	-15067	Wear Ring		100 mm	VME-11088148	5.41
	11088857	15068-	P-UB-13	70 mm	100 mm	VME-11998810	309.83
	11088857	15068-	P-UB-13	70 mm	100 mm	VME-11998810-EX	317.79
	11088857	15068-	Bushing	70 mm		VME-11088054	3.67
	11088857	15068-	Wear Ring		100 mm	VME-11088148	5.41
QUICK-FIT	11082447	70007-70300;13116-16500	P-U-15	25 mm	45 mm	VME-11999362	97.59
	11142695	70007-70300;13116-16500	P-U-10	16 mm	32 mm	VME-11705087	163.67
	11142695	70007-70300;13116-16500	P-U-10	16 mm	32 mm	VME-11705087-EX	167.19
	11142695	70007-70300;13116-16500	Bushing	16 mm		VME-11708994	3.28
	11157123	70007-70300;13116-16500	P-U-10	16 mm	32 mm	VME-11709111	83.99
STEERING	11088289	70007-70300;13116-16500	P-U-15	40 mm	63 mm	VME-11990439	103.40
	11088289	70007-70300;13116-16500	P-U-15	40 mm	63 mm	VME-11990439-EX	105.47
	11088289	70007-70300;13116-16500	Bushing	40 mm		VME-11088081	2.09
TILT	11088500	-15067	P-UB-14	80 mm	150 mm	VME-11998809	410.16
	11088500	-15067	P-UB-14	80 mm	150 mm	VME-11998809-EX	400.89
	11088500	-15067	Bushing	80 mm		VME-11088150	4.12
	11088500	-15067	Wear Ring		150 mm	VME-11088149	17.52
	11088856	15068-	P-UB-14	80 mm	150 mm	VME-11998809	410.16
	11088856	15068-	P-UB-14	80 mm	150 mm	VME-11998809-EX	400.89
	11088856	15068-	Bushing	80 mm		VME-11088150	4.12
	11088856	15068-	Wear Ring		150 mm	VME-11088149	17.52
	MODEL L70C BM						
LIFT	11088340	11246-13115	P-UB-13	70 mm	100 mm	VME-11998810	309.83
	11088340	11246-13115	P-UB-13	70 mm	100 mm	VME-11998810-EX	317.79
	11088340	11246-13115	Bushing	70 mm		VME-11088054	3.67
	11088340	11246-13115	Wear Ring		100 mm	VME-11088148	5.41
QUICK-FIT	11082447	11246-13115	P-U-15	25 mm	45 mm	VME-11999362	97.59
STEERING	11088289	11246-13115	P-U-15	40 mm	63 mm	VME-11990439	103.40
	11088289	11246-13115	P-U-15	40 mm	63 mm	VME-11990439-EX	105.47
	11088289	11246-13115	Bushing	40 mm		VME-11088081	2.09
TILT	11088333	-10161	P-UB-14	80 mm	150 mm	VME-11998809	410.16
	11088333	-10161	P-UB-14	80 mm	150 mm	VME-11998809-EX	400.89
	11088333	-10161	Bushing	80 mm		VME-11088150	4.12
	11088333	-10161	Wear Ring		150 mm	VME-11088149	17.52
	11088460	10162-10790	P-UB-14	80 mm	150 mm	VME-11998809	410.16
	11088460	10162-10790	P-UB-14	80 mm	150 mm	VME-11998809-EX	400.89

LR - Long Reach SLF - Super Long Front QF - Quick Fit FS - Front Shovel MH - Material Handle AS - Articulate Slope

VOLVO

Replacement Kits For

Loaders - Wheel							
APPLICATION	CYL #	SERIAL #	CODE	ROD	BORE	KIT #	List \$
MODEL L70C BM							
TILT	11088460	10162-10790	Bushing	80 mm		VME-11088150	4.12
	11088460	10162-10790	Wear Ring		150 mm	VME-11088149	17.52
	11088500	10791-	P-UB-14	80 mm	150 mm	VME-11998809	410.16
	11088500	10791-	P-UB-14	80 mm	150 mm	VME-11998809-EX	400.89
	11088500	10791-	Bushing	80 mm		VME-11088150	4.12
	11088500	10791-	Wear Ring		150 mm	VME-11088149	17.52
MODEL L70D							
LIFT	11088857	17002-60000	P-UB-13	70 mm	100 mm	VME-11998810	309.83
	11088857	17002-60000	P-UB-13	70 mm	100 mm	VME-11998810-EX	317.79
	11088857	17002-60000	Bushing	70 mm		VME-11088054	3.67
	11088857	17002-60000	Wear Ring		100 mm	VME-11088148	5.41
QUICK-FIT	11142695	17002-60000	P-U-10	16 mm	32 mm	VME-11705087	163.67
	11142695	17002-60000	P-U-10	16 mm	32 mm	VME-11705087-EX	167.19
	11142695	17002-60000	Bushing	16 mm		VME-11708994	3.28
	11157123	17002-60000	P-U-10	16 mm	32 mm	VME-11709111	83.99
STEERING	11088289	17002-60000	P-U-15	40 mm	63 mm	VME-11990439	103.40
	11088289	17002-60000	P-U-15	40 mm	63 mm	VME-11990439-EX	105.47
	11088289	17002-60000	Bushing	40 mm		VME-11088081	2.09
TILT	11088856	17002-60000	P-UB-14	80 mm	150 mm	VME-11998809	410.16
	11088856	17002-60000	P-UB-14	80 mm	150 mm	VME-11998809-EX	400.89
	11088856	17002-60000	Bushing	80 mm		VME-11088150	4.12
	11088856	17002-60000	Wear Ring		150 mm	VME-11088149	17.52
MODEL L70E							
LIFT	11107644	-21028	P-UB-10	70 mm	110 mm	VME-11709998	214.90
	11107644	-21028	P-UB-10	70 mm	110 mm	VME-11709998-EX	230.64
	11107644	-21028	Bushing	70 mm		VME-11088054	3.67
	11107644	-21028	Wear Ring		110 mm	VME-11107528	5.19
	11107824	21001-22957;60001-;71001-	P-UB-10	70 mm	120 mm	VME-11715864	184.16
	11107824	21001-22957;60001-;71001-	P-UB-10	70 mm	120 mm	VME-11715864-EX	204.64
	11107824	21001-22957;60001-;71001-	Bushing	70 mm		VME-11088054	3.67
	11107824	21001-22957;60001-;71001-	Wear Ring		120 mm	VME-11107298	5.75
	11107851	21029-	P-UB-10	70 mm	110 mm	VME-11709998	214.90
	11107851	21029-	P-UB-10	70 mm	110 mm	VME-11709998-EX	230.64
	11107851	21029-	Bushing	70 mm		VME-11088054	3.67
	11107851	21029-	Wear Ring		110 mm	VME-11107528	5.19
	QUICK-FIT	11157123	21001-22957;60001-;71001-	P-U-10	16 mm	32 mm	VME-11709111
STEERING	11107530	21001-22957;60001-;71001-	P-UB-15	45 mm	70 mm	VME-11709872	109.77
	11107530	21001-22957;60001-;71001-	P-UB-15	45 mm	70 mm	VME-11709872-EX	111.52
	11107530	21001-22957;60001-;71001-	Bushing	45 mm		VME-11107549	3.61
	11107764	21001-22957;60001-;71001-	P-UB-15	45 mm	70 mm	VME-11709872	109.77
	11107764	21001-22957;60001-;71001-	P-UB-15	45 mm	70 mm	VME-11709872-EX	111.52
	11107764	21001-22957;60001-;71001-	Bushing	45 mm		VME-11107549	3.61
	11107837	21001-22957;60001-;71001-	P-UB-15	45 mm	70 mm	VME-11709872	109.77
	11107837	21001-22957;60001-;71001-	P-UB-15	45 mm	70 mm	VME-11709872-EX	111.52
	11107837	21001-22957;60001-;71001-	Bushing	45 mm		VME-11107549	3.61
	11107837	21001-22957;60001-;71001-	Wear Ring		160 mm	VME-11107223	12.81
TILT	11107846	21001-22957;60001-;71001-	P-UB-10	90 mm	160 mm	VME-11709965	497.55
	11107846	21001-22957;60001-;71001-	P-UB-10	90 mm	160 mm	VME-11709965-EX	534.17
	11107846	21001-22957;60001-;71001-	Bushing	90 mm		VME-11005427	7.81
	11107846	21001-22957;60001-;71001-	Wear Ring		160 mm	VME-11107223	12.81
	11107852	21001-22957;60001-;71001-	P-UB-10	90 mm	160 mm	VME-11709965	497.55
	11107852	21001-22957;60001-;71001-	P-UB-10	90 mm	160 mm	VME-11709965-EX	534.17
	11107852	21001-22957;60001-;71001-	Bushing	90 mm		VME-11005427	7.81
11107852	21001-22957;60001-;71001-	Wear Ring		160 mm	VME-11107223	12.81	
MODEL L70F							
HYDRAULIC	11107837	24004-, 71401-, 61801-	P-UB-15	45 mm	70 mm	VME-11709872	109.77

LR - Long Reach SLF - Super Long Front QF - Quick Fit FS - Front Shovel MH - Material Handle AS - Articulate Slope

FORMERLY LISTED REPAIR PARTS ARE AVAILABLE ONLINE AT WWW.HERCULESCA.CA
OR BY CONTACTING YOUR REGIONAL HERCULES SALES TEAM.

VOLVO

Replacement Kits For

Loaders - Wheel							
APPLICATION	CYL #	SERIAL #	CODE	ROD	BORE	KIT #	List \$
MODEL L70F							
LIFT	11107824	24004-, 71401-, 61801-	P-UB-10	70 mm	120 mm	VME-11715864	184.16
	11107851	24004-, 71401-, 61801-	P-UB-10	70 mm	110 mm	VME-11709998	214.90
TILT	11107846	24004-, 71401-, 61801-	P-UB-10	90 mm	160 mm	VME-11709965	497.55
	11107852	24004-, 71401-, 61801-	P-UB-10	90 mm	160 mm	VME-11709965	497.55
MODEL L70G							
HYDRAULIC	11045357		P-U-15	60 mm	110 mm	VME-11704249	156.90
	11045360		P-U-15	50 mm	110 mm	VME-11704252	110.27
	11045361		P-U-15	50 mm	110 mm	VME-11704252	110.27
	11045363		P-U-15	60 mm	110 mm	VME-11704249	156.90
LIFT	17225206	2008-, 614001-	P-UB-10	70 mm	110 mm	VME-15162235	193.24
	17225206	2008-, 614001-	Bushing	70 mm		VME-11088054	3.67
	17225206	2008-, 614001-	Wear Ring		110 mm	VME-11107528	5.19
	17225207	2008-, 614001-	P-UB-10	70 mm	120 mm	VME-11715864	184.16
	17225207	2008-, 614001-	Bushing	70 mm		VME-11088054	3.67
	17225207	2008-, 614001-	Wear Ring		120 mm	VME-11107298	5.75
	17225207	2008-, 614001-	Wear Ring		120 mm	VME-11107298	5.75
STEERING	11107837	2008-, 614001-	P-UB-15	45 mm	70 mm	VME-11709872	109.77
	11107837	2008-, 614001-	Bushing	45 mm		VME-11107549	3.61
TILT	17225210	2008-, 614001-	P-UB-10	90 mm	160 mm	VME-15162237	323.16
	17225210	2008-, 614001-	Bushing	90 mm		VME-11005427	7.81
	17225210	2008-, 614001-	Wear Ring		160 mm	VME-11107223	12.81
	17225211	2008-, 614001-	P-UB-10	90 mm	160 mm	VME-15162237	323.16
	17225211	2008-, 614001-	Bushing	90 mm		VME-11005427	7.81
	17225211	2008-, 614001-	Wear Ring		160 mm	VME-11107223	12.81
	17225211	2008-, 614001-	Wear Ring		160 mm	VME-11107223	12.81
MODEL L70H							
HYDRAULIC	11045357		P-U-15	60 mm	110 mm	VME-11704249	156.90
	11045360		P-U-15	50 mm	110 mm	VME-11704252	110.27
	11045361		P-U-15	50 mm	110 mm	VME-11704252	110.27
	11045363		P-U-15	60 mm	110 mm	VME-11704249	156.90
LIFT	17225206	12006-, 622002-	P-UB-10	70 mm	110 mm	VME-15162235	193.24
	17225206	12006-, 622002-	Bushing	70 mm		VME-11088054	3.67
	17225206	12006-, 622002-	Wear Ring		110 mm	VME-11107528	5.19
	17225207	12006-, 622002-	P-UB-10	70 mm	120 mm	VME-11715864	184.16
	17225207	12006-, 622002-	Bushing	70 mm		VME-11088054	3.67
	17225207	12006-, 622002-	Wear Ring		120 mm	VME-11107298	5.75
	17225207	12006-, 622002-	Wear Ring		120 mm	VME-11107298	5.75
STEERING	11107837	12006-, 622002-	Bushing	45 mm		VME-11107549	3.61
	17225200	12006-, 622002-	P-UB-15	45 mm	70 mm	VME-11709872	109.77
TILT	17225210	12006-, 622002-	P-UB-10	90 mm	160 mm	VME-15162237	323.16
	17225210	12006-, 622002-	Bushing	90 mm		VME-11005427	7.81
	17225210	12006-, 622002-	Wear Ring		160 mm	VME-11107223	12.81
	17225211	12006-, 622002-	P-UB-10	90 mm	160 mm	VME-15162237	323.16
	17225211	12006-, 622002-	Bushing	90 mm		VME-11005427	7.81
	17225211	12006-, 622002-	Wear Ring		160 mm	VME-11107223	12.81
MODEL L90B							
ATTACHMENT	11005340	ALL	P-U-1	25 mm		VME-11990175	107.78
LIFT	11088062	ALL	P-U-15	60 mm	120 mm	VME-11990026	172.34
STEERING	11088065	ALL	P-U-15	50 mm	80 mm	VME-11990050	86.54
TILT	11088064	ALL	P-UB-15	60 mm	110 mm	VME-11990028	107.09
MODEL L90C							
LIFT	11088764	14305-17000;62463-65000;70060-80000	P-UB-14	70 mm	130 mm	VME-11999895	289.42
	11088764	14305-17000;62463-65000;70060-80000	P-UB-14	70 mm	130 mm	VME-11999895-EX	313.57
	11088764	14305-17000;62463-65000;70060-80000	Bushing	70 mm		VME-11088054	3.67
	11088764	14305-17000;62463-65000;70060-80000	Wear Ring		130 mm	VME-11088609	9.80
	11107308	14305-17000;62463-65000;70060-80000	P-UB-10	70 mm	130 mm	VME-11707023	241.96
	11107308	14305-17000;62463-65000;70060-80000	P-UB-10	70 mm	130 mm	VME-11707023-EX	261.12
	11107308	14305-17000;62463-65000;70060-80000	Bushing	70 mm		VME-11088054	3.67

LR - Long Reach SLF - Super Long Front QF - Quick Fit FS - Front Shovel MH - Material Handle AS - Articulate Slope

VOLVO

Replacement Kits For

Loaders - Wheel							
APPLICATION	CYL #	SERIAL #	CODE	ROD	BORE	KIT #	List \$
MODEL L90C							
LIFT	11107308	14305-17000;62463-65000;70060-80000	Wear Ring		130 mm	VME-11088609	9.80
QUICK-FIT	11082447	14305-17000;62463-65000;70060-80000	P-U-15	25 mm	45 mm	VME-11999362	97.59
	11142695	14305-17000;62463-65000;70060-80000	P-U-10	16 mm	32 mm	VME-11705087	163.67
	11142695	14305-17000;62463-65000;70060-80000	P-U-10	16 mm	32 mm	VME-11705087-EX	167.19
	11142695	14305-17000;62463-65000;70060-80000	Bushing	16 mm		VME-11708994	3.28
	11157123	14305-17000;62463-65000;70060-80000	P-U-10	16 mm	32 mm	VME-11709111	83.99
STEERING	11088546	14305-17000;62463-65000;70060-80000	P-U-15	40 mm	70 mm	VME-11999907	71.45
	11088546	14305-17000;62463-65000;70060-80000	P-U-15	40 mm	70 mm	VME-11999907-EX	74.20
	11088546	14305-17000;62463-65000;70060-80000	Bushing	40 mm		VME-11088081	2.09
TILT	11088769	14305-17000;62463-65000;70060-80000	P-UB-14	90 mm	190 mm	VME-11999893	674.59
	11088769	14305-17000;62463-65000;70060-80000	P-UB-14	90 mm	190 mm	VME-11999893-EX	735.39
	11088769	14305-17000;62463-65000;70060-80000	Bushing	90 mm		VME-11088249	23.67
	11088769	14305-17000;62463-65000;70060-80000	Wear Ring		190 mm	VME-11088014	18.27
	11107306	14305-17000;62463-65000;70060-80000	P-UB-10	90 mm	190 mm	VME-11707028	532.87
	11107306	14305-17000;62463-65000;70060-80000	P-UB-10	90 mm	190 mm	VME-11707028-EX	608.19
	11107306	14305-17000;62463-65000;70060-80000	Bushing	90 mm		VME-11088249	23.67
	11107306	14305-17000;62463-65000;70060-80000	Wear Ring		190 mm	VME-11088014	18.27
	MODEL L90C BM						
LIFT	11088635	-13784	P-UB-14	70 mm	130 mm	VME-11999895	289.42
	11088635	-13784	P-UB-14	70 mm	130 mm	VME-11999895-EX	313.57
	11088635	-13784	Bushing	70 mm		VME-11088054	3.67
	11088635	-13784	Wear Ring		130 mm	VME-11088609	9.80
	11088764	13785-	P-UB-14	70 mm	130 mm	VME-11999895	289.42
	11088764	13785-	P-UB-14	70 mm	130 mm	VME-11999895-EX	313.57
	11088764	13785-	Bushing	70 mm		VME-11088054	3.67
	11088764	13785-	Wear Ring		130 mm	VME-11088609	9.80
QUICK-FIT	11082447	13001-14304;61901-62462;70001-70052	P-U-15	25 mm	45 mm	VME-11999362	97.59
STEERING	11088546	13001-14304;61901-62462;70001-70052	P-U-15	40 mm	70 mm	VME-11999907	71.45
	11088546	13001-14304;61901-62462;70001-70052	P-U-15	40 mm	70 mm	VME-11999907-EX	74.20
	11088546	13001-14304;61901-62462;70001-70052	Bushing	40 mm		VME-11088081	2.09
TILT	11088636	-13784	P-UB-14	90 mm	190 mm	VME-11999893	674.59
	11088636	-13784	P-UB-14	90 mm	190 mm	VME-11999893-EX	735.39
	11088636	-13784	Bushing	90 mm		VME-11088249	23.67
	11088636	-13784	Wear Ring		190 mm	VME-11088014	18.27
	11088769	13785-	P-UB-14	90 mm	190 mm	VME-11999893	674.59
	11088769	13785-	P-UB-14	90 mm	190 mm	VME-11999893-EX	735.39
	11088769	13785-	Bushing	90 mm		VME-11088249	23.67
	11088769	13785-	Wear Ring		190 mm	VME-11088014	18.27
MODEL L90D							
LIFT	11088764	-17003	P-UB-14	70 mm	130 mm	VME-11999895	289.42
	11088764	-17003	P-UB-14	70 mm	130 mm	VME-11999895-EX	313.57
	11088764	-17003	Bushing	70 mm		VME-11088054	3.67
	11088764	-17003	Wear Ring		130 mm	VME-11088609	9.80
	11107308	17004-;64001-;70501-	P-UB-10	70 mm	130 mm	VME-11707023	241.96
	11107308	17004-;64001-;70501-	P-UB-10	70 mm	130 mm	VME-11707023-EX	261.12
	11107308	17004-;64001-;70501-	Bushing	70 mm		VME-11088054	3.67
	11107308	17004-;64001-;70501-	Wear Ring		130 mm	VME-11088609	9.80
QUICK-FIT	11082447	17001-20000;64001-64937;70501-70800	P-U-15	25 mm	45 mm	VME-11999362	97.59
	11142695	17001-20000;64001-64937;70501-70800	P-U-10	16 mm	32 mm	VME-11705087	163.67
	11142695	17001-20000;64001-64937;70501-70800	P-U-10	16 mm	32 mm	VME-11705087-EX	167.19
	11142695	17001-20000;64001-64937;70501-70800	Bushing	16 mm		VME-11708994	3.28
	11157123	17001-20000;64001-64937;70501-70800	P-U-10	16 mm	32 mm	VME-11709111	83.99
STEERING	11088546	17001-20000;64001-64937;70501-70800	P-U-15	40 mm	70 mm	VME-11999907	71.45
	11088546	17001-20000;64001-64937;70501-70800	P-U-15	40 mm	70 mm	VME-11999907-EX	74.20
	11088546	17001-20000;64001-64937;70501-70800	Bushing	40 mm		VME-11088081	2.09

LR - Long Reach SLF - Super Long Front QF - Quick Fit FS - Front Shovel MH - Material Handle AS - Articulate Slope

FORMERLY LISTED REPAIR PARTS ARE AVAILABLE ONLINE AT WWW.HERCULESCA.CA
OR BY CONTACTING YOUR REGIONAL HERCULES SALES TEAM.

VOLVO

Replacement Kits For

Loaders - Wheel							
APPLICATION	CYL #	SERIAL #	CODE	ROD	BORE	KIT #	List \$
MODEL L90D							
TILT	11088769	-17003	P-UB-14	90 mm	190 mm	VME-11999893	674.59
	11088769	-17003	P-UB-14	90 mm	190 mm	VME-11999893-EX	735.39
	11088769	-17003	Bushing	90 mm		VME-11088249	23.67
	11088769	-17003	Wear Ring		190 mm	VME-11088014	18.27
	11107306	17004-;64001-;70501-	P-UB-10	90 mm	190 mm	VME-11707028	532.87
	11107306	17004-;64001-;70501-	P-UB-10	90 mm	190 mm	VME-11707028-EX	608.19
	11107306	17004-;64001-;70501-	Bushing	90 mm		VME-11088249	23.67
	11107306	17004-;64001-;70501-	Wear Ring		190 mm	VME-11088014	18.27
MODEL L90E							
LIFT	11107844	20005-30000;66001-70000;70801-80000	P-UB-10	70 mm	125 mm	VME-11715865	190.03
	11107844	20005-30000;66001-70000;70801-80000	P-UB-10	70 mm	125 mm	VME-11715865-EX	222.84
	11107844	20005-30000;66001-70000;70801-80000	Bushing	70 mm		VME-11088054	3.67
	11107844	20005-30000;66001-70000;70801-80000	Wear Ring		125 mm	VME-4833220	10.55
	11107853	20005-30000;66001-70000;70801-80000	P-UB-10	70 mm	120 mm	VME-11709829	202.49
	11107853	20005-30000;66001-70000;70801-80000	P-UB-10	70 mm	120 mm	VME-11709829-EX	223.97
	11107853	20005-30000;66001-70000;70801-80000	Bushing	70 mm		VME-11088054	3.67
	11107853	20005-30000;66001-70000;70801-80000	Wear Ring		120 mm	VME-11107298	5.75
	STEERING	11107525	-20837-;66464-;70887	P-UB-15	50 mm	80 mm	VME-11709817
11107525		-20837-;66464-;70887	P-UB-15	50 mm	80 mm	VME-11709817-EX	105.65
11107525		-20837-;66464-;70887	Bushing	50 mm		VME-11088052	2.33
11107787		20838-;66465-;70888-	P-UB-15	50 mm	80 mm	VME-11709817	102.51
11107787		20838-;66465-;70888-	P-UB-15	50 mm	80 mm	VME-11709817-EX	105.65
TILT	11107787	20838-;66465-;70888-	Bushing	50 mm		VME-11088052	2.33
	11107847	20005-30000;66001-70000;70801-80000	P-UB-10	90 mm	180 mm	VME-11709832	515.71
	11107847	20005-30000;66001-70000;70801-80000	P-UB-10	90 mm	180 mm	VME-11709832-EX	555.60
	11107847	20005-30000;66001-70000;70801-80000	Bushing	90 mm		VME-11005427	7.81
	11107847	20005-30000;66001-70000;70801-80000	Wear Ring		180 mm	VME-11107217	14.39
	11107854	20005-30000;66001-70000;70801-80000	P-UB-10	90 mm	180 mm	VME-11709832	515.71
	11107854	20005-30000;66001-70000;70801-80000	P-UB-10	90 mm	180 mm	VME-11709832-EX	555.60
	11107854	20005-30000;66001-70000;70801-80000	Bushing	90 mm		VME-11005427	7.81
	11107854	20005-30000;66001-70000;70801-80000	Wear Ring		180 mm	VME-11107217	14.39
MODEL L90F							
HYDRAULIC	11107769	25006-, 71501-, 68101-	P-UB-15	50 mm	80 mm	VME-11709817	102.51
LIFT	11107844	25006-, 71501-, 68101-	P-UB-10	70 mm	125 mm	VME-11715865	190.03
	11107853	25006-, 71501-, 68101-	P-UB-10	70 mm	120 mm	VME-11709829	202.49
TILT	11107847	25006-, 71501-, 68101-	P-UB-10	90 mm	180 mm	VME-11709832	515.71
	11107854	25006-, 71501-, 68101-	P-UB-10	90 mm	180 mm	VME-11709832	515.71
MODEL L90G							
HYDRAULIC	11045357		P-U-15	60 mm	110 mm	VME-11704249	156.90
	11045360		P-U-15	50 mm	110 mm	VME-11704252	110.27
	11045361		P-U-15	50 mm	110 mm	VME-11704252	110.27
	11045363		P-U-15	60 mm	110 mm	VME-11704249	156.90
LIFT	17229007	3013-, 617001-	P-UB-10	70 mm	120 mm	VME-17253746	223.89
STEERING	17225201	3013-, 617001-	P-UB-15	50 mm	80 mm	VME-17254063	101.79
TILT	17229009	3013-, 617001-	P-UB-10	90 mm	180 mm	VME-17238417	209.85
	17229010	3013-, 617001-	P-UB-10	90 mm	180 mm	VME-17238417	209.85
MODEL L90H							
HYDRAULIC	11045357		P-U-15	60 mm	110 mm	VME-11704249	156.90
	11045360		P-U-15	50 mm	110 mm	VME-11704252	110.27
	11045361		P-U-15	50 mm	110 mm	VME-11704252	110.27
	11045363		P-U-15	60 mm	110 mm	VME-11704249	156.90
LIFT	17229007	13011-, 623002-	P-UB-10	70 mm	120 mm	VME-17253746	223.89
STEERING	17225201	13011-, 623002-	P-UB-15	50 mm	80 mm	VME-17254063	101.79
TILT	17229009	13011-, 623002-	P-UB-10	90 mm	180 mm	VME-17238417	209.85
	17229010	13011-, 623002-	P-UB-10	90 mm	180 mm	VME-17238417	209.85

LR - Long Reach SLF - Super Long Front QF - Quick Fit FS - Front Shovel MH - Material Handle AS - Articulate Slope

VOLVO

Replacement Kits For

Loaders - Wheel							
APPLICATION	CYL #	SERIAL #	CODE	ROD	BORE	KIT #	List \$
MODEL L110E							
HYDRAULIC	11005402	2002-61000, 61001-70400, 70401-99999	P-U-15	60 mm	125 mm	VME-11000107	207.13
	11010770	2002-61000, 61001-70400, 70401-99999	P-U-1	25 mm		VME-11990175	107.78
	11045350	2002-61000, 61001-70400, 70401-99999	P-U-15	60 mm	125 mm	VME-11704247	168.14
	11045351	2002-61000, 61001-70400, 70401-99999	P-U-15	50 mm	100 mm	VME-11704251	73.29
	11045352	2002-61000, 61001-70400, 70401-99999	P-U-15	70 mm	140 mm	VME-11704250	193.06
	11045353	2002-61000, 61001-70400, 70401-99999	P-U-15	60 mm	110 mm	VME-11704249	156.90
	11045354	2002-61000, 61001-70400, 70401-99999	P-U-15	40 mm	80 mm	VME-11704253	81.28
	11045355	2002-61000, 61001-70400, 70401-99999	P-U-15	40 mm	80 mm	VME-11704253	81.28
	11045356	2002-61000, 61001-70400, 70401-99999	P-U-15	60 mm	125 mm	VME-11704247	168.14
	11045357	2002-61000, 61001-70400, 70401-99999	P-U-15	60 mm	110 mm	VME-11704249	156.90
	11045358	2002-61000, 61001-70400, 70401-99999	P-U-15	80 mm	150 mm	VME-11704689	224.92
	11045360	2002-61000, 61001-70400, 70401-99999	P-U-15	50 mm	110 mm	VME-11704252	110.27
	11045361	2002-61000, 61001-70400, 70401-99999	P-U-15	50 mm	110 mm	VME-11704252	110.27
	11045363	2002-61000, 61001-70400, 70401-99999	P-U-15	60 mm	110 mm	VME-11704249	156.90
	11045366	2002-61000, 61001-70400, 70401-99999	P-U-15	60 mm	125 mm	VME-11704248	144.23
	11082749	2002-61000, 61001-70400, 70401-99999	P-U-15	60 mm	125 mm	VME-11704247	168.14
	11088569	2002-61000, 61001-70400, 70401-99999	P-U-15	80 mm	150 mm	VME-11700187	144.06
	11107516	1002-2165, 70201-70257, 60001-60631	P-UB-15	50 mm	80 mm	VME-11709817	102.51
	11107790	1002-2165, 70201-70257, 60001-60631	P-UB-15	50 mm	80 mm	VME-11709817	102.51
	11107790	2202-, 70401-70433, 61001-61289	P-UB-15	50 mm	80 mm	VME-11709817	102.51
	11142677	2002-61000, 61001-70400, 70401-99999	P-U-15	40 mm	80 mm	VME-11704253	81.28
	11156699	2002-61000, 61001-70400, 70401-99999	I-UB-10	32 mm	50 mm	VME-11709821	111.90
	11156701	2002-61000, 61001-70400, 70401-99999	I-UB-10	32 mm	50 mm	VME-11709821	111.90
	11157999	2002-61000, 61001-70400, 70401-99999	P-U-15	40 mm	80 mm	VME-11704253	81.28
	11417176	2002-61000, 61001-70400, 70401-99999	P-U-15	60 mm	125 mm	VME-11704247	168.14
	4784150	2002-61000, 61001-70400, 70401-99999	P-U-15	40 mm	80 mm	VME-6630662	84.32
	4881335	2002-61000, 61001-70400, 70401-99999	P-U-15	25 mm	40 mm	VME-6630886	27.82
	4881336	2002-61000, 61001-70400, 70401-99999	P-U-15	25 mm	40 mm	VME-6630886	27.82
LIFT	11107855	1002-2165, 70201-70257, 60001-60631	P-UB-10	80 mm	150 mm	VME-11708825	172.52
	11107855	2202-, 70401-70433, 61001-61289	P-UB-10	80 mm	150 mm	VME-11708825	172.52
TILT	11107848	1002-2165, 70201-70257, 60001-60631	P-UB-10	110 mm	220 mm	VME-11708833	353.41
	11107848	2202-, 70401-70433, 61001-61289	P-UB-10	110 mm	220 mm	VME-11708833	353.41
	11107856	1002-2165, 70201-70257, 60001-60631	P-UB-10	110 mm	220 mm	VME-11708833	353.41
	11107856	2202-, 70401-70433, 61001-61289	P-UB-10	110 mm	220 mm	VME-11708833	353.41
MODEL L110F							
HYDRAULIC	11107790	3503-, 70601-, 61501-	P-UB-15	50 mm	80 mm	VME-11709817	102.51
TILT	11107848	3503-, 70601-, 61501-	P-UB-10	110 mm	220 mm	VME-11708833	353.41
	11107856	3503-, 70601-, 61501-	P-UB-10	110 mm	220 mm	VME-11708833	353.41
MODEL L110G							
HYDRAULIC	11045357		P-U-15	60 mm	110 mm	VME-11704249	156.90
	11045360		P-U-15	50 mm	110 mm	VME-11704252	110.27
	11045361		P-U-15	50 mm	110 mm	VME-11704252	110.27
	11045363		P-U-15	60 mm	110 mm	VME-11704249	156.90
LIFT	17230560	8001-9393	P-UB-10	80 mm	150 mm	VME-17253413	335.54
STEERING	17225202	8001-9393	P-UB-15	50 mm	80 mm	VME-11709817	102.51
	17225202	8001-9393	Bushing	50 mm		VME-11088052	2.33
TILT	15104755	8001-9393	P-UB-10	110 mm	210 mm	VME-17253420	428.64
	17230565	8001-9393	P-UB-10	110 mm	210 mm	VME-17253420	428.64
MODEL L110H							
HYDRAULIC	11045357		P-U-15	60 mm	110 mm	VME-11704249	156.90
	11045360		P-U-15	50 mm	110 mm	VME-11704252	110.27
	11045361		P-U-15	50 mm	110 mm	VME-11704252	110.27
	11045363		P-U-15	60 mm	110 mm	VME-11704249	156.90
LIFT	17230560	10005-11490, 631001-	P-UB-10	80 mm	150 mm	VME-17253413	335.54
STEERING	17225202	10005-11019, 631001-631201	P-UB-15	50 mm	80 mm	VME-11709817	102.51

LR - Long Reach SLF - Super Long Front QF - Quick Fit FS - Front Shovel MH - Material Handle AS - Articulate Slope

FORMERLY LISTED REPAIR PARTS ARE AVAILABLE ONLINE AT WWW.HERCULESCA.CA
OR BY CONTACTING YOUR REGIONAL HERCULES SALES TEAM.

VOLVO

VOLVO

Replacement Kits For

Loaders - Wheel							
APPLICATION	CYL #	SERIAL #	CODE	ROD	BORE	KIT #	List \$
MODEL L110H							
STEERING	17225202	10005-11019, 631001-631201	Bushing	50 mm		VME-11088052	2.33
	17263592	11020-11490, 631202-	P-UB-10	50 mm	75 mm	VME-15238850	194.30
TILT	17230564	10005-11490, 631001-	P-UB-10	110 mm	210 mm	VME-17253420	428.64
	17230656	10005-11490, 631001-	P-UB-10	110 mm	210 mm	VME-17253420	428.64
MODEL L120B							
ATTACHMENT	11005340	ALL	P-U-1	25 mm		VME-11990175	107.78
LIFT	11088048	ALL	P-U-15	70 mm	140 mm	VME-11990404	203.03
STEERING	11088049	ALL	P-U-15	50 mm	80 mm	VME-11990050	86.54
TILT	11088046	ALL	P-UB-15	60 mm	125 mm	VME-11990405	129.27
MODEL L120C							
LIFT	11088637	11319-60000;70075-80000;61677-70000	P-UB-14	80 mm	160 mm	VME-11999894	408.05
	11088637	11319-60000;70075-80000;61677-70000	P-UB-14	80 mm	160 mm	VME-11999894-EX	472.40
	11088637	11319-60000;70075-80000;61677-70000	Bushing	80 mm		VME-11088150	4.12
	11088637	11319-60000;70075-80000;61677-70000	Wear Ring		160 mm	VME-11088109	51.28
	11088778	11319-60000;70075-80000;61677-70000	P-UB-14	90 mm	170 mm	VME-11990349	622.49
	11088778	11319-60000;70075-80000;61677-70000	P-UB-14	90 mm	170 mm	VME-11990349-EX	682.18
	11088778	11319-60000;70075-80000;61677-70000	Bushing	90 mm		VME-11088249	23.67
	11088778	11319-60000;70075-80000;61677-70000	Wear Ring		170 mm	VME-11005323	16.34
	11107316	11319-60000;70075-80000;61677-70000	P-UB-10	90 mm	170 mm	VME-11707447	708.58
	11107316	11319-60000;70075-80000;61677-70000	P-UB-10	90 mm	170 mm	VME-11707447-EX	766.42
	11107316	11319-60000;70075-80000;61677-70000	Bushing	90 mm		VME-11088249	23.67
	11107316	11319-60000;70075-80000;61677-70000	Wear Ring		170 mm	VME-11005323	16.34
	QUICK-FIT	11082447	11319-60000;70075-80000;61677-70000	P-U-15	25 mm	45 mm	VME-11999362
11142695		11319-60000;70075-80000;61677-70000	P-U-10	16 mm	32 mm	VME-11705087	163.67
11142695		11319-60000;70075-80000;61677-70000	P-U-10	16 mm	32 mm	VME-11705087-EX	167.19
11142695		11319-60000;70075-80000;61677-70000	Bushing	16 mm		VME-11708994	3.28
11157123		11319-60000;70075-80000;61677-70000	P-U-10	16 mm	32 mm	VME-11709111	83.99
STEERING	11088537	11319-60000;70075-80000;61677-70000	P-UB-15	50 mm	80 mm	VME-11999906	99.53
	11088537	11319-60000;70075-80000;61677-70000	P-UB-15	50 mm	80 mm	VME-11999906-EX	102.73
	11088537	11319-60000;70075-80000;61677-70000	Bushing	50 mm		VME-11088052	2.33
TILT	11088773	11319-60000;70075-80000;61677-70000	P-UB-14	110 mm	230 mm	VME-11999892	620.35
	11088773	11319-60000;70075-80000;61677-70000	P-UB-14	110 mm	230 mm	VME-11999892-EX	755.61
	11088773	11319-60000;70075-80000;61677-70000	Bushing	110 mm		VME-11088324	31.44
	11088773	11319-60000;70075-80000;61677-70000	Wear Ring		230 mm	VME-11088323	64.83
	11088785	11319-60000;70075-80000;61677-70000	P-UB-14	110 mm	230 mm	VME-11999892	620.35
	11088785	11319-60000;70075-80000;61677-70000	P-UB-14	110 mm	230 mm	VME-11999892-EX	755.61
	11088785	11319-60000;70075-80000;61677-70000	Bushing	110 mm		VME-11088324	31.44
	11088785	11319-60000;70075-80000;61677-70000	Wear Ring		230 mm	VME-11088323	64.83
	11107105	11319-60000;70075-80000;61677-70000	P-UB-14	110 mm	230 mm	VME-11999892	620.35
	11107105	11319-60000;70075-80000;61677-70000	P-UB-14	110 mm	230 mm	VME-11999892-EX	755.61
	11107105	11319-60000;70075-80000;61677-70000	Bushing	110 mm		VME-11088324	31.44
	11107105	11319-60000;70075-80000;61677-70000	Wear Ring		230 mm	VME-11088323	64.83
MODEL L120C BM							
LIFT	11088637	9901-11318;61301-61676	P-UB-14	80 mm	160 mm	VME-11999894	408.05
	11088637	9901-11318;61301-61676	P-UB-14	80 mm	160 mm	VME-11999894-EX	472.40
	11088637	9901-11318;61301-61676	Bushing	80 mm		VME-11088150	4.12
	11088637	9901-11318;61301-61676	Wear Ring		160 mm	VME-11088109	51.28
	11088778	9901-11318;61301-61676	P-UB-14	90 mm	170 mm	VME-11990349	622.49
	11088778	9901-11318;61301-61676	P-UB-14	90 mm	170 mm	VME-11990349-EX	682.18
	11088778	9901-11318;61301-61676	Bushing	90 mm		VME-11088249	23.67
	11088778	9901-11318;61301-61676	Wear Ring		170 mm	VME-11005323	16.34
STEERING	11088537	9901-11318;61301-61676	P-UB-15	50 mm	80 mm	VME-11999906	99.53
	11088537	9901-11318;61301-61676	P-UB-15	50 mm	80 mm	VME-11999906-EX	102.73
	11088537	9901-11318;61301-61676	Bushing	50 mm		VME-11088052	2.33
TILT	11088638	-10639	P-UB-14	110 mm	230 mm	VME-11999892	620.35

LR - Long Reach SLF - Super Long Front QF - Quick Fit FS - Front Shovel MH - Material Handle AS - Articulate Slope

VOLVO

Replacement Kits For

Loaders - Wheel							
APPLICATION	CYL #	SERIAL #	CODE	ROD	BORE	KIT #	List \$
MODEL L120C BM							
TILT	11088638	-10639	P-UB-14	110 mm	230 mm	VME-11999892-EX	755.61
	11088638	-10639	Bushing	110 mm		VME-11088324	31.44
	11088638	-10639	Wear Ring		230 mm	VME-11088323	64.83
	11088773	9901-11318;61301-61676	P-UB-14	110 mm	230 mm	VME-11999892	620.35
	11088773	9901-11318;61301-61676	P-UB-14	110 mm	230 mm	VME-11999892-EX	755.61
	11088773	9901-11318;61301-61676	Bushing	110 mm		VME-11088324	31.44
	11088773	9901-11318;61301-61676	Wear Ring		230 mm	VME-11088323	64.83
	11088785	10640-	P-UB-14	110 mm	230 mm	VME-11999892	620.35
	11088785	10640-	P-UB-14	110 mm	230 mm	VME-11999892-EX	755.61
11088785	10640-	Bushing	110 mm		VME-11088324	31.44	
11088785	10640-	Wear Ring		230 mm	VME-11088323	64.83	
MODEL L120D							
LIFT	11088637	-14003	P-UB-14	80 mm	160 mm	VME-11999894	408.05
	11088637	-14003	P-UB-14	80 mm	160 mm	VME-11999894-EX	472.40
	11088637	-14003	Bushing	80 mm		VME-11088150	4.12
	11088637	-14003	Wear Ring		160 mm	VME-11088109	51.28
	11107312	14004-;63001-;70501-	P-UB-10	80 mm	160 mm	VME-11707024	326.61
	11107312	14004-;63001-;70501-	P-UB-10	80 mm	160 mm	VME-11707024-EX	392.71
	11107312	14004-;63001-;70501-	Bushing	80 mm		VME-11088150	4.12
	11107312	14004-;63001-;70501-	Wear Ring		160 mm	VME-11088109	51.28
	11107316	14001-15418;70501-70615;63001-63291	P-UB-10	90 mm	170 mm	VME-11707447	708.58
	11107316	14001-15418;70501-70615;63001-63291	P-UB-10	90 mm	170 mm	VME-11707447-EX	766.42
	11107316	14001-15418;70501-70615;63001-63291	Bushing	90 mm		VME-11088249	23.67
	11107316	14001-15418;70501-70615;63001-63291	Wear Ring		170 mm	VME-11005323	16.34
	QUICK-FIT	11142695	14001-15418;70501-70615;63001-63291	P-U-10	16 mm	32 mm	VME-11705087
11142695		14001-15418;70501-70615;63001-63291	P-U-10	16 mm	32 mm	VME-11705087-EX	167.19
11142695		14001-15418;70501-70615;63001-63291	Bushing	16 mm		VME-11708994	3.28
11157123		14001-15418;70501-70615;63001-63291	P-U-10	16 mm	32 mm	VME-11709111	83.99
STEERING	11088537	14001-15418;70501-70615;63001-63291	P-UB-15	50 mm	80 mm	VME-11999906	99.53
	11088537	14001-15418;70501-70615;63001-63291	P-UB-15	50 mm	80 mm	VME-11999906-EX	102.73
	11088537	14001-15418;70501-70615;63001-63291	Bushing	50 mm		VME-11088052	2.33
TILT	11107105	-14003	P-UB-14	110 mm	230 mm	VME-11999892	620.35
	11107105	-14003	P-UB-14	110 mm	230 mm	VME-11999892-EX	755.61
	11107105	-14003	Bushing	110 mm		VME-11088324	31.44
	11107105	-14003	Wear Ring		230 mm	VME-11088323	64.83
	11107310	14004-;63001-;70501-	P-UB-10	110 mm	230 mm	VME-11707029	644.39
	11107310	14004-;63001-;70501-	P-UB-10	110 mm	230 mm	VME-11707029-EX	777.94
	11107310	14004-;63001-;70501-	Bushing	110 mm		VME-11088324	31.44
	11107310	14004-;63001-;70501-	Wear Ring		230 mm	VME-11088323	64.83
	11107314	14001-15418;70501-70615;63001-63291	P-UB-10	110 mm	230 mm	VME-11707029	644.39
	11107314	14001-15418;70501-70615;63001-63291	P-UB-10	110 mm	230 mm	VME-11707029-EX	777.94
	11107314	14001-15418;70501-70615;63001-63291	Bushing	110 mm		VME-11088324	31.44
	11107314	14001-15418;70501-70615;63001-63291	Wear Ring		230 mm	VME-11088323	64.83
	MODEL L120E						
LIFT	11107561	-16797-;64229-;70730	P-UB-10	80 mm	150 mm	VME-11708825	172.52
	11107561	-16797-;64229-;70730	P-UB-10	80 mm	150 mm	VME-11708825-EX	227.24
	11107561	-16797-;64229-;70730	Bushing	80 mm		VME-11088150	4.12
	11107561	-16797-;64229-;70730	Wear Ring		150 mm	VME-11107289	42.00
	11107855	16798-19668;19804-;64230-66000;66001-;70731-71400;71401-	P-UB-10	80 mm	150 mm	VME-11708825	172.52
	11107855	16798-19668;19804-;64230-66000;66001-;70731-71400;71401-	P-UB-10	80 mm	150 mm	VME-11708825-EX	227.24
	11107855	16798-19668;19804-;64230-66000;66001-;70731-71400;71401-	Bushing	80 mm		VME-11088150	4.12
	11107855	16798-19668;19804-;64230-66000;66001-;70731-71400;71401-	Wear Ring		150 mm	VME-11107289	42.00

LR - Long Reach SLF - Super Long Front QF - Quick Fit FS - Front Shovel MH - Material Handle AS - Articulate Slope

FORMERLY LISTED REPAIR PARTS ARE AVAILABLE ONLINE AT WWW.HERCULESCA.CA
OR BY CONTACTING YOUR REGIONAL HERCULES SALES TEAM.

VOLVO

Replacement Kits For

Loaders - Wheel							
APPLICATION	CYL #	SERIAL #	CODE	ROD	BORE	KIT #	List \$
MODEL L120E							
LIFT	11107857	16001-19668;19804-;64001-66000;66001-;70701-71400;71401-	P-UB-10	90 mm	160 mm	VME-11709384	237.60
	11107857	16001-19668;19804-;64001-66000;66001-;70701-71400;71401-	P-UB-10	90 mm	160 mm	VME-11709384-EX	307.90
	11107857	16001-19668;19804-;64001-66000;66001-;70701-71400;71401-	Bushing	90 mm		VME-11088249	23.67
	11107857	16001-19668;19804-;64001-66000;66001-;70701-71400;71401-	Wear Ring		160 mm	VME-11107223	12.81
QUICK-FIT	11157115	16001-19668;19804-;64001-66000;66001-;70701-71400;71401-	P-U-15	25 mm	45 mm	VME-11999362	97.59
	11157123	16001-19668;19804-;64001-66000;66001-;70701-71400;71401-	P-U-10	16 mm	32 mm	VME-11709111	83.99
STEERING	11107516	16001-19668;70701-71400;64001-66000	P-UB-15	50 mm	80 mm	VME-11709817	102.51
	11107516	16001-19668;70701-71400;64001-66000	P-UB-15	50 mm	80 mm	VME-11709817-EX	105.65
	11107516	16001-19668;70701-71400;64001-66000	Bushing	50 mm		VME-11088052	2.33
	11107790	16001-19668;19804-;64001-66000;66001-;70701-71400;71401-	P-UB-15	50 mm	80 mm	VME-11709817	102.51
	11107790	16001-19668;19804-;64001-66000;66001-;70701-71400;71401-	P-UB-15	50 mm	80 mm	VME-11709817-EX	105.65
	11107790	16001-19668;19804-;64001-66000;66001-;70701-71400;71401-	Bushing	50 mm		VME-11088052	2.33
TILT	11107244	16001-19668;70701-71400;64001-66000	P-UB-10	110 mm	220 mm	VME-11708833	353.41
	11107244	16001-19668;70701-71400;64001-66000	P-UB-10	110 mm	220 mm	VME-11708833-EX	487.63
	11107244	16001-19668;70701-71400;64001-66000	Bushing	110 mm		VME-11088324	31.44
	11107244	16001-19668;70701-71400;64001-66000	Wear Ring		220 mm	VME-11107254	53.19
	11107856	16001-19668;19804-;64001-66000;66001-;70701-71400;71401-	P-UB-10	110 mm	220 mm	VME-11708833	353.41
	11107856	16001-19668;19804-;64001-66000;66001-;70701-71400;71401-	P-UB-10	110 mm	220 mm	VME-11708833-EX	487.63
	11107856	16001-19668;19804-;64001-66000;66001-;70701-71400;71401-	Bushing	110 mm		VME-11088324	31.44
	11107856	16001-19668;19804-;64001-66000;66001-;70701-71400;71401-	Wear Ring		220 mm	VME-11107254	53.19
	11107858	16001-19668;19804-;64001-66000;66001-;70701-71400;71401-	P-UB-10	110 mm	220 mm	VME-11708833	353.41
	11107858	16001-19668;19804-;64001-66000;66001-;70701-71400;71401-	P-UB-10	110 mm	220 mm	VME-11708833-EX	487.63
	11107858	16001-19668;19804-;64001-66000;66001-;70701-71400;71401-	Bushing	110 mm		VME-11088324	31.44
	11107858	16001-19668;19804-;64001-66000;66001-;70701-71400;71401-	Wear Ring		220 mm	VME-11107254	53.19
MODEL L120F							
HYDRAULIC	11045351	23004-, 66401-, 71701-	P-U-15	50 mm	100 mm	VME-11704251	73.29
	11045352	23004-, 66401-, 71701-	P-U-15	70 mm	140 mm	VME-11704250	193.06
	11045353	23004-, 66401-, 71701-	P-U-15	60 mm	110 mm	VME-11704249	156.90
	11045355	23004-, 66401-, 71701-	P-U-15	40 mm	80 mm	VME-11704253	81.28
	11045356	23004-, 66401-, 71701-	P-U-15	60 mm	125 mm	VME-11704247	168.14
	11045357	23004-, 66401-, 71701-	P-U-15	60 mm	110 mm	VME-11704249	156.90
	11045358	23004-, 66401-, 71701-	P-U-15	80 mm	150 mm	VME-11704689	224.92
	11045360	23004-, 66401-, 71701-	P-U-15	50 mm	110 mm	VME-11704252	110.27
	11045361	23004-, 66401-, 71701-	P-U-15	50 mm	110 mm	VME-11704252	110.27
	11045363	23004-, 66401-, 71701-	P-U-15	60 mm	110 mm	VME-11704249	156.90
	11045366	23004-, 66401-, 71701-	P-U-15	60 mm	125 mm	VME-11704248	144.23
	11107790	23004-, 66401-, 71701-	P-UB-15	50 mm	80 mm	VME-11709817	102.51
	11107790	23004-, 66401-, 71701-	P-UB-15	50 mm	80 mm	VME-11709817-EX	105.65
	11107790	23004-, 71701-, 66401-	P-UB-15	50 mm	80 mm	VME-11709817	102.51
	11107790	23004-, 71701-, 66401-	P-UB-15	50 mm	80 mm	VME-11709817-EX	105.65
	11156699	23004-, 66401-, 71701-	I-UB-10	32 mm	50 mm	VME-11709821	111.90

LR - Long Reach SLF - Super Long Front QF - Quick Fit FS - Front Shovel MH - Material Handle AS - Articulate Slope

VOLVO

Replacement Kits For

Loaders - Wheel							
APPLICATION	CYL #	SERIAL #	CODE	ROD	BORE	KIT #	List \$
MODEL L120F							
HYDRAULIC	11156701	23004-, 66401-, 71701-	I-UB-10	32 mm	50 mm	VME-11709821	111.90
	11157999	23004-, 66401-, 71701-	P-U-15	40 mm	80 mm	VME-11704253	81.28
	11417176	23004-, 66401-, 71701-	P-U-15	60 mm	125 mm	VME-11704247	168.14
	15155930	23004-, 66401-, 71701-	P-U-15	40 mm	80 mm	VME-11704253	81.28
LIFT	11107855	23004-, 66401-, 71701-	P-UB-10	80 mm	150 mm	VME-11708825	172.52
	11107855	23004-, 66401-, 71701-	P-UB-10	80 mm	150 mm	VME-11708825-EX	227.24
	11107855	23004-, 71701-, 66401-	P-UB-10	80 mm	150 mm	VME-11708825	172.52
	11107855	23004-, 71701-, 66401-	P-UB-10	80 mm	150 mm	VME-11708825-EX	227.24
	11107857	23004-, 66401-, 71701-	P-UB-10	90 mm	160 mm	VME-11709384	237.60
	11107857	23004-, 66401-, 71701-	P-UB-10	90 mm	160 mm	VME-11709384-EX	307.90
	11107857	23004-, 71701-, 66401-	P-UB-10	90 mm	160 mm	VME-11709384	237.60
	11107857	23004-, 71701-, 66401-	P-UB-10	90 mm	160 mm	VME-11709384-EX	307.90
TILT	11107856	23004-, 71701-, 66401-	P-UB-10	110 mm	220 mm	VME-11708833	353.41
	11107856	23004-, 71701-, 66401-	P-UB-10	110 mm	220 mm	VME-11708833-EX	487.63
	11107858	23004-, 71701-, 66401-	P-UB-10	110 mm	220 mm	VME-11708833	353.41
	11107858	23004-, 71701-, 66401-	P-UB-10	110 mm	220 mm	VME-11708833-EX	487.63
	15148701	23004-, 66401-, 71701-	P-UB-10	110 mm	220 mm	VME-17253817	353.41
	15148701	23004-, 66401-, 71701-	P-UB-10	110 mm	220 mm	VME-17253817-EX	487.63
	15165423	23004-, 66401-, 71701-	P-UB-10	110 mm	220 mm	VME-17253817	353.41
	15165423	23004-, 66401-, 71701-	P-UB-10	110 mm	220 mm	VME-17253817-EX	487.63
MODEL L120G							
HYDRAULIC	11045357		P-U-15	60 mm	110 mm	VME-11704249	156.90
	11045360		P-U-15	50 mm	110 mm	VME-11704252	110.27
	11045361		P-U-15	50 mm	110 mm	VME-11704252	110.27
	11045363		P-U-15	60 mm	110 mm	VME-11704249	156.90
LIFT	17230560	30001-31533	P-UB-10	80 mm	150 mm	VME-17253413	335.54
STEERING	17225202	30001-31533	P-UB-15	50 mm	80 mm	VME-11709817	102.51
	17225202	30001-31533	Bushing	50 mm		VME-11088052	2.33
TILT	15104755	30001-31533	P-UB-10	110 mm	210 mm	VME-17253420	428.64
	17230566	30001-31533	P-UB-10	110 mm	210 mm	VME-17253420	428.64
MODEL L120H							
HYDRAULIC	11045357		P-U-15	60 mm	110 mm	VME-11704249	156.90
	11045360		P-U-15	50 mm	110 mm	VME-11704252	110.27
	11045361		P-U-15	50 mm	110 mm	VME-11704252	110.27
	11045363		P-U-15	60 mm	110 mm	VME-11704249	156.90
LIFT	17230560	14008-15722, 15723-, 632001-	P-UB-10	80 mm	150 mm	VME-17253413	335.54
STEERING	17225202	14008-15191, 15722, 15841-, 632001-632159	P-UB-15	50 mm	80 mm	VME-11709817	102.51
	17225202	14008-15191, 15722, 15841-, 632001-632159	Bushing	50 mm		VME-11088052	2.33
	17263592	15192-15721, 15723-15840, 632160-	P-UB-10	50 mm	75 mm	VME-15238850	194.30
TILT	17230564	14008-15722, 15723-, 632001-	P-UB-10	110 mm	210 mm	VME-17253420	428.64
	17230566	14008-15721, 15723-15840, 632001-	P-UB-10	110 mm	210 mm	VME-17253420	428.64
MODEL L150							
ATTACHMENT	11005392	ALL	P-U-15	32 mm	63 mm	VME-6630661	130.83
LIFT	11005470	-1233;-60096(USA)	P-UB-14	90 mm	170 mm	VME-11990349	622.49
	11005470	-1233;-60096(USA)	P-UB-14	90 mm	170 mm	VME-11990349-EX	682.18
	11005470	-1233;-60096(USA)	Bushing	90 mm		VME-11088249	23.67
	11005470	-1233;-60096(USA)	Wear Ring		170 mm	VME-11005323	16.34
	11088115	1234;-60097(USA)-	P-UB-14	90 mm	170 mm	VME-11990349	622.49
	11088115	1234;-60097(USA)-	P-UB-14	90 mm	170 mm	VME-11990349-EX	682.18
	11088115	1234;-60097(USA)-	Bushing	90 mm		VME-11088249	23.67
	11088115	1234;-60097(USA)-	Wear Ring		170 mm	VME-11005323	16.34
STEERING	11005294	ALL	P-U-15	50 mm	90 mm	VME-11990347	96.24
	11005294	ALL	P-U-15	50 mm	90 mm	VME-11990347-EX	99.54
	11005294	ALL	Bushing	50 mm		VME-11088052	2.33
TILT	11005462	ALL	P-UB-14	120 mm	250 mm	VME-11990348	922.03

LR - Long Reach SLF - Super Long Front QF - Quick Fit FS - Front Shovel MH - Material Handle AS - Articulate Slope

FORMERLY LISTED REPAIR PARTS ARE AVAILABLE ONLINE AT WWW.HERCULESCA.CA
OR BY CONTACTING YOUR REGIONAL HERCULES SALES TEAM.

VOLVO

Replacement Kits For

Loaders - Wheel								
APPLICATION	CYL #	SERIAL #	CODE	ROD	BORE	KIT #	List \$	
MODEL L150								
TILT	11005462	ALL	P-UB-14	120 mm	250 mm	VME-11990348-EX	1011.48	
	11005462	ALL	Bushing	120 mm		VME-11088879	15.33	
	11005462	ALL	Wear Ring		250 mm	VME-11005324	47.41	
MODEL L150C								
LIFT	11088807	2768-10000;60701-70000	P-UB-14	90 mm	170 mm	VME-11990349	622.49	
	11088807	2768-10000;60701-70000	P-UB-14	90 mm	170 mm	VME-11990349-EX	682.18	
	11088807	2768-10000;60701-70000	Bushing	90 mm		VME-11088249	23.67	
	11088807	2768-10000;60701-70000	Wear Ring		170 mm	VME-11005323	16.34	
QUICK-FIT	11005392	2768-10000;60701-70000	P-U-15	32 mm	63 mm	VME-6630661	130.83	
	11045365	2768-10000;60701-70000	P-U-15	32 mm	63 mm	VME-11704254	71.67	
STEERING	11088296	2768-10000;60701-70000	P-U-15	50 mm	90 mm	VME-11990347	96.24	
	11088296	2768-10000;60701-70000	P-U-15	50 mm	90 mm	VME-11990347-EX	99.54	
	11088296	2768-10000;60701-70000	Bushing	50 mm		VME-11088052	2.33	
TILT	11088805	2768-10000;60701-70000	P-UB-14	120 mm	250 mm	VME-11990348	922.03	
	11088805	2768-10000;60701-70000	P-UB-14	120 mm	250 mm	VME-11990348-EX	1011.48	
	11088805	2768-10000;60701-70000	Bushing	120 mm		VME-11088879	15.33	
	11088805	2768-10000;60701-70000	Wear Ring		250 mm	VME-11005324	47.41	
MODEL L150C BM								
LIFT	11005470	-1233;-60096	P-UB-14	90 mm	170 mm	VME-11990349	622.49	
	11005470	-1233;-60096	P-UB-14	90 mm	170 mm	VME-11990349-EX	682.18	
	11005470	-1233;-60096	Bushing	90 mm		VME-11088249	23.67	
	11005470	-1233;-60096	Wear Ring		170 mm	VME-11005323	16.34	
	11088115	1234-1792;60097-60333	P-UB-14	90 mm	170 mm	VME-11990349	622.49	
	11088115	1234-1792;60097-60333	P-UB-14	90 mm	170 mm	VME-11990349-EX	682.18	
	11088115	1234-1792;60097-60333	Bushing	90 mm		VME-11088249	23.67	
	11088115	1234-1792;60097-60333	Wear Ring		170 mm	VME-11005323	16.34	
	11088497	1793-2697;60334-60710	P-UB-14	90 mm	170 mm	VME-11990349	622.49	
	11088497	1793-2697;60334-60710	P-UB-14	90 mm	170 mm	VME-11990349-EX	682.18	
	11088497	1793-2697;60334-60710	Bushing	90 mm		VME-11088249	23.67	
	11088497	1793-2697;60334-60710	Wear Ring		170 mm	VME-11005323	16.34	
	11088807	2698;-60711-	P-UB-14	90 mm	170 mm	VME-11990349	622.49	
	11088807	2698;-60711-	P-UB-14	90 mm	170 mm	VME-11990349-EX	682.18	
	11088807	2698;-60711-	Bushing	90 mm		VME-11088249	23.67	
	11088807	2698;-60711-	Wear Ring		170 mm	VME-11005323	16.34	
	QUICK-FIT	11005392	2081-2767;60501-60708	P-U-15	32 mm	63 mm	VME-6630661	130.83
	STEERING	11005294	-1662;-60267	P-U-15	50 mm	90 mm	VME-11990347	96.24
		11005294	-1662;-60267	P-U-15	50 mm	90 mm	VME-11990347-EX	99.54
		11005294	-1662;-60267	Bushing	50 mm		VME-11088052	2.33
		11088296	1663;-60268-	P-U-15	50 mm	90 mm	VME-11990347	96.24
11088296		1663;-60268-	P-U-15	50 mm	90 mm	VME-11990347-EX	99.54	
TILT	11005462	-2006;-60419	P-UB-14	120 mm	250 mm	VME-11990348	922.03	
	11005462	-2006;-60419	P-UB-14	120 mm	250 mm	VME-11990348-EX	1011.48	
	11005462	-2006;-60419	Bushing	120 mm		VME-11088879	15.33	
	11005462	-2006;-60419	Wear Ring		250 mm	VME-11005324	47.41	
	11088474	2007-2693;60420-60710	P-UB-14	120 mm	250 mm	VME-11990348	922.03	
	11088474	2007-2693;60420-60710	P-UB-14	120 mm	250 mm	VME-11990348-EX	1011.48	
	11088474	2007-2693;60420-60710	Bushing	120 mm		VME-11088879	15.33	
	11088474	2007-2693;60420-60710	Wear Ring		250 mm	VME-11005324	47.41	
	11088805	2694;-60711-	P-UB-14	120 mm	250 mm	VME-11990348	922.03	
	11088805	2694;-60711-	P-UB-14	120 mm	250 mm	VME-11990348-EX	1011.48	
	11088805	2694;-60711-	Bushing	120 mm		VME-11088879	15.33	
	11088805	2694;-60711-	Wear Ring		250 mm	VME-11005324	47.41	
	MODEL L150D							
	LIFT	11088807	-5004	P-UB-14	90 mm	170 mm	VME-11990349	622.49

LR - Long Reach SLF - Super Long Front QF - Quick Fit FS - Front Shovel MH - Material Handle AS - Articulate Slope

VOLVO

Replacement Kits For

Loaders - Wheel							
APPLICATION	CYL #	SERIAL #	CODE	ROD	BORE	KIT #	List \$
MODEL L150D							
LIFT	11088807	-5004	P-UB-14	90 mm	170 mm	VME-11990349-EX	682.18
	11088807	-5004	Bushing	90 mm		VME-11088249	23.67
	11088807	-5004	Wear Ring		170 mm	VME-11005323	16.34
	11107320	5005-;62501-62658	P-UB-10	90 mm	170 mm	VME-11707025	354.57
	11107320	5005-;62501-62658	P-UB-10	90 mm	170 mm	VME-11707025-EX	383.62
	11107320	5005-;62501-62658	Bushing	90 mm		VME-11005427	7.81
QUICK-FIT	11045365	62501-70000;5002-6000	P-U-15	32 mm	63 mm	VME-11704254	71.67
	11157116	62501-70000;5002-6000	P-U-15	32 mm	63 mm	VME-11704254	71.67
STEERING	11088296	62501-70000;5002-6000	P-U-15	50 mm	90 mm	VME-11990347	96.24
	11088296	62501-70000;5002-6000	P-U-15	50 mm	90 mm	VME-11990347-EX	99.54
TILT	11088296	62501-70000;5002-6000	Bushing	50 mm		VME-11088052	2.33
	11088805	-5004	P-UB-14	120 mm	250 mm	VME-11990348	922.03
	11088805	-5004	P-UB-14	120 mm	250 mm	VME-11990348-EX	1011.48
	11088805	-5004	Bushing	120 mm		VME-11088879	15.33
	11088805	-5004	Wear Ring		250 mm	VME-11005324	47.41
	11107318	5005-;62501-62658	P-UB-10	120 mm	250 mm	VME-11707030	711.09
	11107318	5005-;62501-62658	P-UB-10	120 mm	250 mm	VME-11707030-EX	785.45
	11107318	5005-;62501-62658	Bushing	120 mm		VME-11088879	15.33
	11107318	5005-;62501-62658	Wear Ring		250 mm	VME-11005324	47.41
	11107322	62501-70000;5002-6000	P-UB-10	120 mm	230 mm	VME-11707450	622.77
	11107322	62501-70000;5002-6000	P-UB-10	120 mm	230 mm	VME-11707450-EX	718.46
	11107322	62501-70000;5002-6000	Bushing	120 mm		VME-11088496	14.75
	11107322	62501-70000;5002-6000	Wear Ring		230 mm	VME-11088323	64.83
	MODEL L150E						
LIFT	11107539	-6534	P-UB-10	90 mm	160 mm	VME-11709018	238.53
	11107539	-6534	P-UB-10	90 mm	160 mm	VME-11709018-EX	272.34
	11107539	-6534	Bushing	90 mm		VME-11005427	7.81
	11107539	-6534	Wear Ring		160 mm	VME-11107223	12.81
	11107714	6535-8721	P-UB-10	90 mm	160 mm	VME-11709018	238.53
	11107714	6535-8721	P-UB-10	90 mm	160 mm	VME-11709018-EX	272.34
	11107714	6535-8721	Bushing	90 mm		VME-11005427	7.81
	11107714	6535-8721	Wear Ring		160 mm	VME-11107223	12.81
	11107859	8722-10000;10002-63000	P-UB-10	90 mm	160 mm	VME-11709018	238.53
	11107859	8722-10000;10002-63000	P-UB-10	90 mm	160 mm	VME-11709018-EX	272.34
	11107859	8722-10000;10002-63000	Bushing	90 mm		VME-11005427	7.81
	11107859	8722-10000;10002-63000	Wear Ring		160 mm	VME-11107223	12.81
	QUICK-FIT	11157116	10002-63000	P-U-15	32 mm	63 mm	VME-11704254
STEERING	11107333	6001-10000;10002-63000;63001-80000	P-UB-15	50 mm	90 mm	VME-11709029	97.77
	11107333	6001-10000;10002-63000;63001-80000	P-UB-15	50 mm	90 mm	VME-11709029-EX	101.01
	11107333	6001-10000;10002-63000;63001-80000	Bushing	50 mm		VME-11088052	2.33
TILT	11107256	63001-80000;6001-8721	P-UB-10	110 mm	230 mm	VME-11709026	364.61
	11107256	63001-80000;6001-8721	P-UB-10	110 mm	230 mm	VME-11709026-EX	479.08
	11107256	63001-80000;6001-8721	Bushing	110 mm		VME-11088324	31.44
	11107256	63001-80000;6001-8721	Wear Ring		230 mm	VME-11107264	21.80
	11107386	63001-80000;6001-8721	P-UB-10	110 mm	230 mm	VME-11709026	364.61
	11107386	63001-80000;6001-8721	P-UB-10	110 mm	230 mm	VME-11709026-EX	479.08
	11107386	63001-80000;6001-8721	Bushing	110 mm		VME-11088324	31.44
	11107386	63001-80000;6001-8721	Wear Ring		230 mm	VME-11107264	21.80
	11107860	8722-10000;10002-63000	P-UB-10	110 mm	230 mm	VME-11709026	364.61
	11107860	8722-10000;10002-63000	P-UB-10	110 mm	230 mm	VME-11709026-EX	479.08
	11107860	8722-10000;10002-63000	Bushing	110 mm		VME-11088324	31.44
	11107860	8722-10000;10002-63000	Wear Ring		230 mm	VME-11107264	21.80
	11107861	8722-10000;10002-63000	P-UB-10	110 mm	230 mm	VME-11709026	364.61
	11107861	8722-10000;10002-63000	P-UB-10	110 mm	230 mm	VME-11709026-EX	479.08

LR - Long Reach SLF - Super Long Front QF - Quick Fit FS - Front Shovel MH - Material Handle AS - Articulate Slope

Replacement Kits For

VOLVO

Loaders - Wheel							
APPLICATION	CYL #	SERIAL #	CODE	ROD	BORE	KIT #	List \$
MODEL L150E							
TILT	11107861	8722-10000;10002-63000	Bushing	110 mm		VME-11088324	31.44
	11107861	8722-10000;10002-63000	Wear Ring		230 mm	VME-11107264	21.80
MODEL L150F							
HYDRAULIC	11045351	13003-	P-U-15	50 mm	100 mm	VME-11704251	73.29
	11045352	13003-	P-U-15	70 mm	140 mm	VME-11704250	193.06
	11045353	13003-	P-U-15	60 mm	110 mm	VME-11704249	156.90
	11045355	13003-	P-U-15	40 mm	80 mm	VME-11704253	81.28
	11045356	13003-	P-U-15	60 mm	125 mm	VME-11704247	168.14
	11045357	13003-	P-U-15	60 mm	110 mm	VME-11704249	156.90
	11045358	13003-	P-U-15	80 mm	150 mm	VME-11704689	224.92
	11045360	13003-	P-U-15	50 mm	110 mm	VME-11704252	110.27
	11045361	13003-	P-U-15	50 mm	110 mm	VME-11704252	110.27
	11045363	13003-	P-U-15	60 mm	110 mm	VME-11704249	156.90
	11045366	13003-	P-U-15	60 mm	125 mm	VME-11704248	144.23
	11107333	13003-	P-UB-15	50 mm	90 mm	VME-11709029	97.77
	11107333	13003-	P-UB-15	50 mm	90 mm	VME-11709029-EX	101.01
	11107333	13003-17724	P-UB-15	50 mm	90 mm	VME-11709029	97.77
	11107333	13003-17724	P-UB-15	50 mm	90 mm	VME-11709029-EX	101.01
	11157116	13003-	P-U-15	32 mm	63 mm	VME-11704254	71.67
	11157116	13003-17724	P-U-15	32 mm	63 mm	VME-11704254	71.67
11157999	13003-	P-U-15	40 mm	80 mm	VME-11704253	81.28	
11417176	13003-	P-U-15	60 mm	125 mm	VME-11704247	168.14	
15155930	13003-	P-U-15	40 mm	80 mm	VME-11704253	81.28	
LIFT	11107859	13003-	P-UB-10	90 mm	160 mm	VME-11709018	238.53
	11107859	13003-	P-UB-10	90 mm	160 mm	VME-11709018-EX	272.34
	11107859	13003-17724	P-UB-10	90 mm	160 mm	VME-11709018	238.53
	11107859	13003-17724	P-UB-10	90 mm	160 mm	VME-11709018-EX	272.34
TILT	11107860	13003-	P-UB-10	110 mm	230 mm	VME-11709026	364.61
	11107860	13003-	P-UB-10	110 mm	230 mm	VME-11709026-EX	479.08
	11107860	13003-17724	P-UB-10	110 mm	230 mm	VME-11709026	364.61
	11107860	13003-17724	P-UB-10	110 mm	230 mm	VME-11709026-EX	479.08
	11107861	13003-	P-UB-10	110 mm	230 mm	VME-11709026	364.61
	11107861	13003-	P-UB-10	110 mm	230 mm	VME-11709026-EX	479.08
	11107861	13003-17724	P-UB-10	110 mm	230 mm	VME-11709026	364.61
	11107861	13003-17724	P-UB-10	110 mm	230 mm	VME-11709026-EX	479.08
MODEL L150G							
HYDRAULIC	11045351	18501-, 22004-	P-U-15	50 mm	100 mm	VME-11704251	73.29
	11045352	18501-, 22004-	P-U-15	70 mm	140 mm	VME-11704250	193.06
	11045353	18501-, 22004-	P-U-15	60 mm	110 mm	VME-11704249	156.90
	11045355	18501-, 22004-	P-U-15	40 mm	80 mm	VME-11704253	81.28
	11045356	18501-, 22004-	P-U-15	60 mm	125 mm	VME-11704247	168.14
	11045357	18501-, 22004-	P-U-15	60 mm	110 mm	VME-11704249	156.90
	11045358	18501-, 22004-	P-U-15	80 mm	150 mm	VME-11704689	224.92
	11045360	18501-, 22004-	P-U-15	50 mm	110 mm	VME-11704252	110.27
	11045361	18501-, 22004-	P-U-15	50 mm	110 mm	VME-11704252	110.27
	11045363	18501-, 22004-	P-U-15	60 mm	110 mm	VME-11704249	156.90
	11045366	18501-, 22004-	P-U-15	60 mm	125 mm	VME-11704248	144.23
	11157999	18501-, 22004-	P-U-15	40 mm	80 mm	VME-11704253	81.28
	11417176	18501-, 22004-	P-U-15	60 mm	125 mm	VME-11704247	168.14
	15090184	18501-, 22004-	P-UB-10	60 mm	100 mm	VME-17254012	107.60
LIFT	15094209	18501-, 22004-	P-UB-10	90 mm	160 mm	VME-17264520	191.51
	17230567	18501-, 22004-	P-UB-10	90 mm	160 mm	VME-17264520	191.51
TILT	15086728	18501-, 22004-	P-UB-10	110 mm	220 mm	VME-17264860	369.50
	15129463	18501-, 22004-	P-UB-10	110 mm	220 mm	VME-17264860	369.50
	17230569	18501-, 22004-	P-UB-10	110 mm	220 mm	VME-17264860	369.50

LR - Long Reach SLF - Super Long Front QF - Quick Fit FS - Front Shovel MH - Material Handle AS - Articulate Slope

VOLVO

Replacement Kits For

Loaders - Wheel							
APPLICATION	CYL #	SERIAL #	CODE	ROD	BORE	KIT #	List \$
MODEL L150G							
TILT	17230570	18501-, 22004-	P-UB-10	110 mm	220 mm	VME-17264860	369.50
MODEL L150H							
GRAPPLE	11045352	4003-5823, 5825-5919, 9001-9184, 14001-14266	P-U-15	70 mm	140 mm	VME-11704250	193.06
	11417176	4003-5823, 5825-5919, 9001-9184, 14001-14266	P-U-15	60 mm	125 mm	VME-11704247	168.14
HEEL/KICK OUT	11045363	4003-5823, 5825-5919, 9001-9184, 14001-14266	P-U-15	60 mm	110 mm	VME-11704249	156.90
LIFT	17230567	4003-5823, 5825-5919, 9001-9184, 14001-14266	P-UB-10	90 mm	160 mm	VME-17264520	191.51
STEERING	17225203	4003-5823, 5825-5919, 9001-9184, 14001-14266	P-UB-10	60 mm	100 mm	VME-17254012	107.60
TILT	17230569	4003-5823, 5825-5919, 9001-9184, 14001-14266	P-UB-10	110 mm	220 mm	VME-17264860	369.50
	17230570	4003-5823, 5825-5919, 9001-9184, 14001-14266	P-UB-10	110 mm	220 mm	VME-17264860	369.50
MODEL L180							
BRACKET	11005392	ALL	P-U-15	32 mm	63 mm	VME-6630661	130.83
LIFT	11088007	ALL	P-UB-14	90 mm	190 mm	VME-11990396	513.66
	11088007	ALL	P-UB-14	90 mm	190 mm	VME-11990396-EX	541.51
	11088007	ALL	Bushing	90 mm		VME-11005427	7.81
	11088007	ALL	Wear Ring		190 mm	VME-11088014	18.27
LIFT, HIGH	11088169	ALL	P-U-13	70 mm	140 mm	VME-11998574	386.10
	11088169	ALL	P-U-13	70 mm	140 mm	VME-11998574-EX	403.25
	11088169	ALL	Bushing	70 mm		VME-11088054	3.67
	11088169	ALL	Wear Ring		140 mm	VME-11088220	11.13
	11088171	ALL	P-U-13	100 mm	140 mm	VME-11998575	443.42
	11088171	ALL	P-U-13	100 mm	140 mm	VME-11998575-EX	478.51
	11088171	ALL	Bushing	100 mm		VME-11088222	6.93
	11088171	ALL	Wear Ring		140 mm	VME-11088220	11.13
	4782993	ALL	P-U-15	50 mm	100 mm	VME-6630513	102.74
	4833321	ALL	P-U-15	70 mm	140 mm	VME-6630650	158.89
STEERING	11005404	ALL	P-U-15	50 mm	100 mm	VME-11990398	89.25
	11005404	ALL	P-U-15	50 mm	100 mm	VME-11990398-EX	92.86
	11005404	ALL	Bushing	50 mm		VME-11088052	2.33
TILT	11088000	ALL	P-UB-14	120 mm	260 mm	VME-11990395	982.35
	11088000	ALL	P-UB-14	120 mm	260 mm	VME-11990395-EX	1053.10
	11088000	ALL	Bushing	120 mm		VME-11088879	15.33
	11088000	ALL	Wear Ring		260 mm	VME-11088013	49.32
MODEL L180C							
LIFT	11088808	2533-4000;60465-70000	P-UB-14	90 mm	190 mm	VME-11990396	513.66
	11088808	2533-4000;60465-70000	P-UB-14	90 mm	190 mm	VME-11990396-EX	541.51
	11088808	2533-4000;60465-70000	Bushing	90 mm		VME-11005427	7.81
	11088808	2533-4000;60465-70000	Wear Ring		190 mm	VME-11088014	18.27
QUICK-FIT	11005392	2533-4000;60465-70000	P-U-15	32 mm	63 mm	VME-6630661	130.83
	11045365	2533-4000;60465-70000	P-U-15	32 mm	63 mm	VME-11704254	71.67
STEERING	11088297	2533-4000;60465-70000	P-U-15	50 mm	100 mm	VME-11990398	89.25
	11088297	2533-4000;60465-70000	P-U-15	50 mm	100 mm	VME-11990398-EX	92.86
	11088297	2533-4000;60465-70000	Bushing	50 mm		VME-11088052	2.33
TILT	11088806	2533-4000;60465-70000	P-UB-14	120 mm	260 mm	VME-11990395	982.35
	11088806	2533-4000;60465-70000	P-UB-14	120 mm	260 mm	VME-11990395-EX	1053.10
	11088806	2533-4000;60465-70000	Bushing	120 mm		VME-11088879	15.33
	11088806	2533-4000;60465-70000	Wear Ring		260 mm	VME-11088013	49.32
	11088810	2533-4000;60465-70000	P-UB-14	120 mm	250 mm	VME-11701531	914.57
	11088810	2533-4000;60465-70000	P-UB-14	120 mm	250 mm	VME-11701531-EX	984.56
	11088810	2533-4000;60465-70000	Bushing	120 mm		VME-11088879	15.33
	11088810	2533-4000;60465-70000	Wear Ring		250 mm	VME-11005324	47.41

LR - Long Reach SLF - Super Long Front QF - Quick Fit FS - Front Shovel MH - Material Handle AS - Articulate Slope

FORMERLY LISTED REPAIR PARTS ARE AVAILABLE ONLINE AT WWW.HERCULESCA.CA
OR BY CONTACTING YOUR REGIONAL HERCULES SALES TEAM.

VOLVO

Replacement Kits For

Loaders - Wheel							
APPLICATION	CYL #	SERIAL #	CODE	ROD	BORE	KIT #	List \$
MODEL L180C BM							
LIFT	11088007	-1530;-60154	P-UB-14	90 mm	190 mm	VME-11990396	513.66
	11088007	-1530;-60154	P-UB-14	90 mm	190 mm	VME-11990396-EX	541.51
	11088007	-1530;-60154	Bushing	90 mm		VME-11005427	7.81
	11088007	-1530;-60154	Wear Ring		190 mm	VME-11088014	18.27
	11088498	1531-2473;60155-60476	P-UB-14	90 mm	190 mm	VME-11990396	513.66
	11088498	1531-2473;60155-60476	P-UB-14	90 mm	190 mm	VME-11990396-EX	541.51
	11088498	1531-2473;60155-60476	Bushing	90 mm		VME-11005427	7.81
	11088498	1531-2473;60155-60476	Wear Ring		190 mm	VME-11088014	18.27
	11088808	2474;-60477-	P-UB-14	90 mm	190 mm	VME-11990396	513.66
	11088808	2474;-60477-	P-UB-14	90 mm	190 mm	VME-11990396-EX	541.51
11088808	2474;-60477-	Bushing	90 mm		VME-11005427	7.81	
11088808	2474;-60477-	Wear Ring		190 mm	VME-11088014	18.27	
QUICK-FIT	11005392	1836-2532;60301-60464	P-U-15	32 mm	63 mm	VME-6630661	130.83
STEERING	11005404	-1396;-60106	P-U-15	50 mm	100 mm	VME-11990398	89.25
	11005404	-1396;-60106	P-U-15	50 mm	100 mm	VME-11990398-EX	92.86
	11005404	-1396;-60106	Bushing	50 mm		VME-11088052	2.33
	11088297	1397;-60107-	P-U-15	50 mm	100 mm	VME-11990398	89.25
	11088297	1397;-60107-	P-U-15	50 mm	100 mm	VME-11990398-EX	92.86
TILT	11088297	1397;-60107-	Bushing	50 mm		VME-11088052	2.33
	11088000	-1769;-60204	P-UB-14	120 mm	260 mm	VME-11990395	982.35
	11088000	-1769;-60204	P-UB-14	120 mm	260 mm	VME-11990395-EX	1053.10
	11088000	-1769;-60204	Bushing	120 mm		VME-11088879	15.33
	11088000	-1769;-60204	Wear Ring		260 mm	VME-11088013	49.32
	11088475	1770-2470;60205-60477	P-UB-14	120 mm	260 mm	VME-11990395	982.35
	11088475	1770-2470;60205-60477	P-UB-14	120 mm	260 mm	VME-11990395-EX	1053.10
	11088475	1770-2470;60205-60477	Bushing	120 mm		VME-11088879	15.33
	11088475	1770-2470;60205-60477	Wear Ring		260 mm	VME-11088013	49.32
	11088674	-2470;-60477	P-UB-14	120 mm	250 mm	VME-11701531	914.57
	11088674	-2470;-60477	P-UB-14	120 mm	250 mm	VME-11701531-EX	984.56
	11088674	-2470;-60477	Bushing	120 mm		VME-11088879	15.33
	11088674	-2470;-60477	Wear Ring		250 mm	VME-11005324	47.41
	11088806	2471;-60478-	P-UB-14	120 mm	260 mm	VME-11990395	982.35
	11088806	2471;-60478-	P-UB-14	120 mm	260 mm	VME-11990395-EX	1053.10
	11088806	2471;-60478-	Bushing	120 mm		VME-11088879	15.33
	11088806	2471;-60478-	Wear Ring		260 mm	VME-11088013	49.32
	11088810	2471;-60478-	P-UB-14	120 mm	250 mm	VME-11701531	914.57
	11088810	2471;-60478-	P-UB-14	120 mm	250 mm	VME-11701531-EX	984.56
	11088810	2471;-60478-	Bushing	120 mm		VME-11088879	15.33
11088810	2471;-60478-	Wear Ring		250 mm	VME-11005324	47.41	
MODEL L180D							
LIFT	11088808	-4004	P-UB-14	90 mm	190 mm	VME-11990396	513.66
	11088808	-4004	P-UB-14	90 mm	190 mm	VME-11990396-EX	541.51
	11088808	-4004	Bushing	90 mm		VME-11005427	7.81
	11088808	-4004	Wear Ring		190 mm	VME-11088014	18.27
	11107229	4005;-62001-70000	P-UB-10	90 mm	190 mm	VME-11707026	379.40
	11107229	4005;-62001-70000	P-UB-10	90 mm	190 mm	VME-11707026-EX	407.26
	11107229	4005;-62001-70000	Bushing	90 mm		VME-11005427	7.81
	11107229	4005;-62001-70000	Wear Ring		190 mm	VME-11088014	18.27
QUICK-FIT	11045365	62001-70000;4002-5000	P-U-15	32 mm	63 mm	VME-11704254	71.67
	11157116	62001-70000;4002-5000	P-U-15	32 mm	63 mm	VME-11704254	71.67
STEERING	11088297	62001-70000;4002-5000	P-U-15	50 mm	100 mm	VME-11990398	89.25
	11088297	62001-70000;4002-5000	P-U-15	50 mm	100 mm	VME-11990398-EX	92.86
	11088297	62001-70000;4002-5000	Bushing	50 mm		VME-11088052	2.33
TILT	11088806	-4004	P-UB-14	120 mm	260 mm	VME-11990395	982.35
	11088806	-4004	P-UB-14	120 mm	260 mm	VME-11990395-EX	1053.10

LR - Long Reach SLF - Super Long Front QF - Quick Fit FS - Front Shovel MH - Material Handle AS - Articulate Slope

Replacement Kits For

VOLVO

VOLVO

Loaders - Wheel							
APPLICATION	CYL #	SERIAL #	CODE	ROD	BORE	KIT #	List \$
MODEL L180D							
TILT	11088806	-4004	Bushing	120 mm		VME-11088879	15.33
	11088806	-4004	Wear Ring		260 mm	VME-11088013	49.32
	11107324	4005-;62001-70000	P-UB-10	120 mm	260 mm	VME-11707031	802.58
	11107324	4005-;62001-70000	P-UB-10	120 mm	260 mm	VME-11707031-EX	877.21
	11107324	4005-;62001-70000	Bushing	120 mm		VME-11088879	15.33
	11107324	4005-;62001-70000	Wear Ring		260 mm	VME-11088013	49.32
	11107326	62001-70000;4002-5000	P-UB-10	120 mm	250 mm	VME-11707451	703.41
	11107326	62001-70000;4002-5000	P-UB-10	120 mm	250 mm	VME-11707451-EX	777.91
	11107326	62001-70000;4002-5000	Bushing	120 mm		VME-11088879	15.33
11107326	62001-70000;4002-5000	Wear Ring		250 mm	VME-11005324	47.41	
MODEL L180D HL							
LIFT	11088169	62001-70000;4002-5000	P-U-13	100 mm	140 mm	VME-11998575	443.42
	11088169	62001-70000;4002-5000	P-U-13	100 mm	140 mm	VME-11998575-EX	478.51
	11088169	62001-70000;4002-5000	Bushing	100 mm		VME-11088222	6.93
	11088169	62001-70000;4002-5000	Wear Ring		140 mm	VME-11088220	11.13
	11107595	62001-70000;4002-5000	P-U-13	100 mm	140 mm	VME-11998575	443.42
	11107595	62001-70000;4002-5000	P-U-13	100 mm	140 mm	VME-11998575-EX	478.51
	11107595	62001-70000;4002-5000	Bushing	100 mm		VME-11088222	6.93
STEERING	11088297	62001-70000;4002-5000	P-U-15	50 mm	100 mm	VME-11990398	89.25
	11088297	62001-70000;4002-5000	P-U-15	50 mm	100 mm	VME-11990398-EX	92.86
	11088297	62001-70000;4002-5000	Bushing	50 mm		VME-11088052	2.33
TILT	11088171	62001-70000;4002-5000	P-U-13	70 mm	140 mm	VME-11998574	386.10
	11088171	62001-70000;4002-5000	P-U-13	70 mm	140 mm	VME-11998574-EX	403.25
	11088171	62001-70000;4002-5000	Bushing	70 mm		VME-11088054	3.67
	11088171	62001-70000;4002-5000	Wear Ring		140 mm	VME-11088220	11.13
	11107600	62001-70000;4002-5000	P-U-13	70 mm	140 mm	VME-11998574	386.10
	11107600	62001-70000;4002-5000	P-U-13	70 mm	140 mm	VME-11998574-EX	403.25
	11107600	62001-70000;4002-5000	Bushing	70 mm		VME-11088054	3.67
11107600	62001-70000;4002-5000	Wear Ring		140 mm	VME-11088220	11.13	
MODEL L180E							
LIFT	11107534	-5426	P-UB-10	90 mm	180 mm	VME-11709019	256.38
	11107534	-5426	P-UB-10	90 mm	180 mm	VME-11709019-EX	292.88
	11107534	-5426	Bushing	90 mm		VME-11005427	7.81
	11107534	-5426	Wear Ring		180 mm	VME-11107217	14.39
	11107862	5427-9999	P-UB-10	90 mm	180 mm	VME-11709019	256.38
	11107862	5427-9999	P-UB-10	90 mm	180 mm	VME-11709019-EX	292.88
	11107862	5427-9999	Bushing	90 mm		VME-11005427	7.81
11107862	5427-9999	Wear Ring		180 mm	VME-11107217	14.39	
QUICK-FIT	11157116	8001-9999	P-U-15	32 mm	63 mm	VME-11704254	71.67
STEERING	11107334	5001-9999;62501-69999	P-UB-15	50 mm	100 mm	VME-11709028	107.05
	11107334	5001-9999;62501-69999	P-UB-15	50 mm	100 mm	VME-11709028-EX	110.11
	11107334	5001-9999;62501-69999	Bushing	50 mm		VME-11088052	2.33
TILT	11107863	5001-9999;62501-69999	P-UB-10	120 mm	250 mm	VME-11709025	554.63
	11107863	5001-9999;62501-69999	P-UB-10	120 mm	250 mm	VME-11709025-EX	659.87
	11107863	5001-9999;62501-69999	Bushing	120 mm		VME-11088879	15.33
	11107863	5001-9999;62501-69999	Wear Ring		250 mm	VME-11107227	30.46
	11107864	5001-9999;62501-69999	P-UB-10	120 mm	250 mm	VME-11709025	554.63
	11107864	5001-9999;62501-69999	P-UB-10	120 mm	250 mm	VME-11709025-EX	659.87
	11107864	5001-9999;62501-69999	Bushing	120 mm		VME-11088879	15.33
11107864	5001-9999;62501-69999	Wear Ring		250 mm	VME-11107227	30.46	
MODEL L180E HL							
LIFT	11088169	5086-8000	P-U-13	100 mm	140 mm	VME-11998575	443.42
	11088169	5086-8000	P-U-13	100 mm	140 mm	VME-11998575-EX	478.51
	11088169	5086-8000	Bushing	100 mm		VME-11088222	6.93

LR - Long Reach SLF - Super Long Front QF - Quick Fit FS - Front Shovel MH - Material Handle AS - Articulate Slope

VOLVO

Replacement Kits For

Loaders - Wheel								
APPLICATION	CYL #	SERIAL #	CODE	ROD	BORE	KIT #	List \$	
MODEL L180E HL								
LIFT	11088169	5086-8000	Wear Ring		140 mm	VME-11088220	11.13	
	11107595	5086-9999	P-U-13	100 mm	140 mm	VME-11998575	443.42	
	11107595	5086-9999	P-U-13	100 mm	140 mm	VME-11998575-EX	478.51	
	11107595	5086-9999	Bushing	100 mm		VME-11088222	6.93	
	11107595	5086-9999	Wear Ring		140 mm	VME-11088220	11.13	
STEERING	11107334	5086-9999	P-UB-15	50 mm	100 mm	VME-11709028	107.05	
	11107334	5086-9999	P-UB-15	50 mm	100 mm	VME-11709028-EX	110.11	
	11107334	5086-9999	Bushing	50 mm		VME-11088052	2.33	
TILT	11088171	5086-8000	P-U-13	70 mm	140 mm	VME-11998574	386.10	
	11088171	5086-8000	P-U-13	70 mm	140 mm	VME-11998574-EX	403.25	
	11088171	5086-8000	Bushing	70 mm		VME-11088054	3.67	
	11088171	5086-8000	Wear Ring		140 mm	VME-11088220	11.13	
	11107600	5086-9999	P-U-13	70 mm	140 mm	VME-11998574	386.10	
	11107600	5086-9999	P-U-13	70 mm	140 mm	VME-11998574-EX	403.25	
	11107600	5086-9999	Bushing	70 mm		VME-11088054	3.67	
	11107600	5086-9999	Wear Ring		140 mm	VME-11088220	11.13	
MODEL L180F								
HYDRAULIC	11045351	11004-	P-U-15	50 mm	100 mm	VME-11704251	73.29	
	11045352	11004-	P-U-15	70 mm	140 mm	VME-11704250	193.06	
	11045355	11004-	P-U-15	40 mm	80 mm	VME-11704253	81.28	
	11045358	11004-	P-U-15	80 mm	150 mm	VME-11704689	224.92	
	11045360	11004-	P-U-15	50 mm	110 mm	VME-11704252	110.27	
	11045361	11004-	P-U-15	50 mm	110 mm	VME-11704252	110.27	
	11045366	11004-	P-U-15	60 mm	125 mm	VME-11704248	144.23	
	11107334	11004-	P-UB-15	50 mm	100 mm	VME-11709028	107.05	
	11107334	11004-	P-UB-15	50 mm	100 mm	VME-11709028-EX	110.11	
	11107334	11004-15577	P-UB-15	50 mm	100 mm	VME-11709028	107.05	
	11107334	11004-15577	P-UB-15	50 mm	100 mm	VME-11709028-EX	110.11	
	11156699	11004-	I-UB-10	32 mm	50 mm	VME-11709821	111.90	
	11156701	11004-	I-UB-10	32 mm	50 mm	VME-11709821	111.90	
	11157116	11004-	P-U-15	32 mm	63 mm	VME-11704254	71.67	
	11157116	11004-15577	P-U-15	32 mm	63 mm	VME-11704254	71.67	
	11157999	11004-	P-U-15	40 mm	80 mm	VME-11704253	81.28	
	11417176	11004-	P-U-15	60 mm	125 mm	VME-11704247	168.14	
	15155930	11004-	P-U-15	40 mm	80 mm	VME-11704253	81.28	
	LIFT	11107862	11004-	P-UB-10	90 mm	180 mm	VME-11709019	256.38
		11107862	11004-	P-UB-10	90 mm	180 mm	VME-11709019-EX	292.88
11107862		11004-15577	P-UB-10	90 mm	180 mm	VME-11709019	256.38	
11107862		11004-15577	P-UB-10	90 mm	180 mm	VME-11709019-EX	292.88	
TILT	11107863	11004-	P-UB-10	120 mm	250 mm	VME-11709025	554.63	
	11107863	11004-	P-UB-10	120 mm	250 mm	VME-11709025-EX	659.87	
	11107863	11004-15577	P-UB-10	120 mm	250 mm	VME-11709025	554.63	
	11107863	11004-15577	P-UB-10	120 mm	250 mm	VME-11709025-EX	659.87	
	11107864	11004-	P-UB-10	120 mm	250 mm	VME-11709025	554.63	
	11107864	11004-	P-UB-10	120 mm	250 mm	VME-11709025-EX	659.87	
	11107864	11004-15577	P-UB-10	120 mm	250 mm	VME-11709025	554.63	
	11107864	11004-15577	P-UB-10	120 mm	250 mm	VME-11709025-EX	659.87	
MODEL L180F HL								
HYDRAULIC	11045351		P-U-15	50 mm	100 mm	VME-11704251	73.29	
	11045351	11004-15577	P-U-15	50 mm	100 mm	VME-11704251	73.29	
	11045352		P-U-15	70 mm	140 mm	VME-11704250	193.06	
	11045353		P-U-15	60 mm	110 mm	VME-11704249	156.90	
	11045355		P-U-15	40 mm	80 mm	VME-11704253	81.28	
	11045356		P-U-15	60 mm	125 mm	VME-11704247	168.14	
	11045357		P-U-15	60 mm	110 mm	VME-11704249	156.90	

LR - Long Reach SLF - Super Long Front QF - Quick Fit FS - Front Shovel MH - Material Handle AS - Articulate Slope

VOLVO

Replacement Kits For

Loaders - Wheel								
APPLICATION	CYL #	SERIAL #	CODE	ROD	BORE	KIT #	List \$	
MODEL L180F HL								
HYDRAULIC	11045358		P-U-15	80 mm	150 mm	VME-11704689	224.92	
	11045360		P-U-15	50 mm	110 mm	VME-11704252	110.27	
	11045361		P-U-15	50 mm	110 mm	VME-11704252	110.27	
	11045363		P-U-15	60 mm	110 mm	VME-11704249	156.90	
	11045366		P-U-15	60 mm	125 mm	VME-11704248	144.23	
	11107334	11004-15577	P-UB-15	50 mm	100 mm	VME-11709028	107.05	
	11107334	11004-15577	P-UB-15	50 mm	100 mm	VME-11709028-EX	110.11	
	11156699		I-UB-10	32 mm	50 mm	VME-11709821	111.90	
	11156701		I-UB-10	32 mm	50 mm	VME-11709821	111.90	
	11157999		P-U-15	40 mm	80 mm	VME-11704253	81.28	
	11417176		P-U-15	60 mm	125 mm	VME-11704247	168.14	
	15155930		P-U-15	40 mm	80 mm	VME-11704253	81.28	
	LIFT	11107889	11004-15577	P-UB-10	110 mm	140 mm	VME-17253752	346.46
TILT	11107906	11004-15577	P-UB-10	70 mm	140 mm	VME-17253805	227.85	
MODEL L180G								
HYDRAULIC	11045351	16001-, 19004-	P-U-15	50 mm	100 mm	VME-11704251	73.29	
	11045352	16001-, 19004-	P-U-15	70 mm	140 mm	VME-11704250	193.06	
	11045353	16001-, 19004-	P-U-15	60 mm	110 mm	VME-11704249	156.90	
	11045355	16001-, 19004-	P-U-15	40 mm	80 mm	VME-11704253	81.28	
	11045356	16001-, 19004-	P-U-15	60 mm	125 mm	VME-11704247	168.14	
	11045357	16001-, 19004-	P-U-15	60 mm	110 mm	VME-11704249	156.90	
	11045358	16001-, 19004-	P-U-15	80 mm	150 mm	VME-11704689	224.92	
	11045360	16001-, 19004-	P-U-15	50 mm	110 mm	VME-11704252	110.27	
	11045361	16001-, 19004-	P-U-15	50 mm	110 mm	VME-11704252	110.27	
	11045363	16001-, 19004-	P-U-15	60 mm	110 mm	VME-11704249	156.90	
	11045366	16001-, 19004-	P-U-15	60 mm	125 mm	VME-11704248	144.23	
	11157999	16001-, 19004-	P-U-15	40 mm	80 mm	VME-11704253	81.28	
	11417176	16001-, 19004-	P-U-15	60 mm	125 mm	VME-11704247	168.14	
	15090184	16001-, 19004-	P-UB-10	60 mm	100 mm	VME-17254012	107.60	
	LIFT	15094104	16001-, 19004-	P-UB-10	90 mm	180 mm	VME-17238417	209.85
	TILT	15086745	16001-, 19004-	P-UB-10	120 mm	240 mm	VME-17238415	464.80
15131243		16001-, 19004-	P-UB-10	120 mm	240 mm	VME-17238415	464.80	
17230577		16001-, 19004-	P-UB-10	120 mm	240 mm	VME-17238415	464.80	
17230578		16001-, 19004-	P-UB-10	120 mm	240 mm	VME-17238415	464.80	
MODEL L180H								
GRAPPLE	11045352	3003-4495, 8001-8067, 13001-13098	P-U-15	70 mm	140 mm	VME-11704250	193.06	
	11417176	3003-4495, 8001-8067, 13001-13098	P-U-15	60 mm	125 mm	VME-11704247	168.14	
HEEL/KICK OUT	11045363	3003-4495, 8001-8067, 13001-13098	P-U-15	60 mm	110 mm	VME-11704249	156.90	
LIFT	17230574	3003-4495, 8001-8067, 13001-13098	P-UB-10	90 mm	180 mm	VME-17238417	209.85	
STEERING	17225203	3003-4495, 8001-8067, 13001-13098	P-UB-10	60 mm	100 mm	VME-17254012	107.60	
TILT	17230577	3003-4495, 8001-8067, 13001-13098	P-UB-10	120 mm	240 mm	VME-17238415	464.80	
	17230578	3003-4495, 8001-8067, 13001-13098	P-UB-10	120 mm	240 mm	VME-17238415	464.80	
MODEL L220D								
LIFT	11107552	1001-10000	P-UB-10	90 mm	190 mm	VME-11705882	274.04	
	11107552	1001-10000	P-UB-10	90 mm	190 mm	VME-11705882-EX	323.32	
	11107552	1001-10000	Bushing	90 mm		VME-11005427	7.81	
	11107552	1001-10000	Wear Ring		190 mm	VME-11107168	15.05	
QUICK-FIT	11157116	1001-10000	P-U-15	32 mm	63 mm	VME-11704254	71.67	
STEERING	11107057	1001-10000	P-U-10	50 mm	100 mm	VME-11703689	105.84	
	11107057	1001-10000	P-U-10	50 mm	100 mm	VME-11703689-EX	115.30	
	11107057	1001-10000	Bushing	50 mm		VME-11088052	2.33	
	11107057	1001-10000	Wear Ring		100 mm	VME-11088148	5.41	
TILT	11107050	1001-10000	P-UB-14	120 mm	260 mm	VME-11703860	872.36	
	11107050	1001-10000	P-UB-14	120 mm	260 mm	VME-11703860-EX	977.35	
	11107050	1001-10000	Bushing	120 mm		VME-11088496	14.75	

LR - Long Reach SLF - Super Long Front QF - Quick Fit FS - Front Shovel MH - Material Handle AS - Articulate Slope

FORMERLY LISTED REPAIR PARTS ARE AVAILABLE ONLINE AT WWW.HERCULESCA.CA
OR BY CONTACTING YOUR REGIONAL HERCULES SALES TEAM.

VOLVO

Replacement Kits For

Loaders - Wheel								
APPLICATION	CYL #	SERIAL #	CODE	ROD	BORE	KIT #	List \$	
MODEL L220D								
TILT	11107050	1001-10000	Wear Ring		260 mm	VME-11107041	63.47	
	11107118	1001-10000	P-UB-14	120 mm	260 mm	VME-11703860	872.36	
	11107118	1001-10000	P-UB-14	120 mm	260 mm	VME-11703860-EX	977.35	
	11107118	1001-10000	Bushing	120 mm		VME-11088496	14.75	
	11107118	1001-10000	Wear Ring		260 mm	VME-11107041	63.47	
	11107328	1001-10000	P-UB-10	120 mm	260 mm	VME-11707027	771.99	
	11107328	1001-10000	P-UB-10	120 mm	260 mm	VME-11707027-EX	879.11	
	11107328	1001-10000	Bushing	120 mm		VME-11088496	14.75	
	11107328	1001-10000	Wear Ring		260 mm	VME-11107332	31.72	
	11107330	1001-10000	P-UB-10	120 mm	260 mm	VME-11707027	771.99	
	11107330	1001-10000	P-UB-10	120 mm	260 mm	VME-11707027-EX	879.11	
	11107330	1001-10000	Bushing	120 mm		VME-11088496	14.75	
	11107330	1001-10000	Wear Ring		260 mm	VME-11107332	31.72	
MODEL L220E								
LIFT	11107794	2005-3566;4003-9999	P-UB-10	90 mm	190 mm	VME-11705882	274.04	
	11107794	2005-3566;4003-9999	P-UB-10	90 mm	190 mm	VME-11705882-EX	323.32	
	11107794	2005-3566;4003-9999	Bushing	90 mm		VME-11005427	7.81	
	11107794	2005-3566;4003-9999	Wear Ring		190 mm	VME-11107168	15.05	
STEERING	11107793	2005-3566;4003-9999	P-UB-10	60 mm	100 mm	VME-11714561	147.43	
	11107793	2005-3566;4003-9999	P-UB-10	60 mm	100 mm	VME-11714561-EX	155.17	
	11107793	2005-3566;4003-9999	Bushing	60 mm		VME-11088053	3.14	
	11107793	2005-3566;4003-9999	Wear Ring		100 mm	VME-11088148	5.41	
TILT	11107795	2005-3566;4003-9999	P-UB-10	120 mm	260 mm	VME-11707027	771.99	
	11107795	2005-3566;4003-9999	P-UB-10	120 mm	260 mm	VME-11707027-EX	879.11	
	11107795	2005-3566;4003-9999	Bushing	120 mm		VME-11088496	14.75	
	11107795	2005-3566;4003-9999	Wear Ring		260 mm	VME-11107332	31.72	
	11107829	2005-3566;4003-9999	P-UB-10	120 mm	260 mm	VME-11707027	771.99	
	11107829	2005-3566;4003-9999	P-UB-10	120 mm	260 mm	VME-11707027-EX	879.11	
	11107829	2005-3566;4003-9999	Bushing	120 mm		VME-11088496	14.75	
11107829	2005-3566;4003-9999	Wear Ring		260 mm	VME-11107332	31.72		
MODEL L220F								
HYDRAULIC	11045351	6005-	P-U-15	50 mm	100 mm	VME-11704251	73.29	
	11045352	6005-	P-U-15	70 mm	140 mm	VME-11704250	193.06	
	11045353	6005-	P-U-15	60 mm	110 mm	VME-11704249	156.90	
	11045355	6005-	P-U-15	40 mm	80 mm	VME-11704253	81.28	
	11045356	6005-	P-U-15	60 mm	125 mm	VME-11704247	168.14	
	11045357	6005-	P-U-15	60 mm	110 mm	VME-11704249	156.90	
	11045358	6005-	P-U-15	80 mm	150 mm	VME-11704689	224.92	
	11045360	6005-	P-U-15	50 mm	110 mm	VME-11704252	110.27	
	11045361	6005-	P-U-15	50 mm	110 mm	VME-11704252	110.27	
	11045363	6005-	P-U-15	60 mm	110 mm	VME-11704249	156.90	
	11045366	6005-	P-U-15	60 mm	125 mm	VME-11704248	144.23	
	11107793	6005-	P-UB-10	60 mm	100 mm	VME-11714561	147.43	
	11107793	6005-	P-UB-10	60 mm	100 mm	VME-11714561-EX	155.17	
	11156699	6005-	I-UB-10	32 mm	50 mm	VME-11709821	111.90	
	11156701	6005-	I-UB-10	32 mm	50 mm	VME-11709821	111.90	
	11157999	6005-	P-U-15	40 mm	80 mm	VME-11704253	81.28	
	11417176	6005-	P-U-15	60 mm	125 mm	VME-11704247	168.14	
	15010209	6005-8485	P-UB-10	60 mm	100 mm	VME-11714561	147.43	
	15010209	6005-8485	P-UB-10	60 mm	100 mm	VME-11714561-EX	155.17	
	15155930	6005-	P-U-15	40 mm	80 mm	VME-11704253	81.28	
	LIFT	11107794	6005-	P-UB-10	90 mm	190 mm	VME-11705882	274.04
		11107794	6005-	P-UB-10	90 mm	190 mm	VME-11705882-EX	323.32
		11107794	6005-8485	P-UB-10	90 mm	190 mm	VME-11705882	274.04
11107794		6005-8485	P-UB-10	90 mm	190 mm	VME-11705882-EX	323.32	

LR - Long Reach SLF - Super Long Front QF - Quick Fit FS - Front Shovel MH - Material Handle AS - Articulate Slope

VOLVO

Replacement Kits For

VOLVO

Loaders - Wheel							
APPLICATION	CYL #	SERIAL #	CODE	ROD	BORE	KIT #	List \$
MODEL L220F							
TILT	11107795	6005-	P-UB-10	120 mm	260 mm	VME-11707027	771.99
	11107795	6005-	P-UB-10	120 mm	260 mm	VME-11707027-EX	879.11
	11107795	6005-8485	P-UB-10	120 mm	260 mm	VME-11707027	771.99
	11107795	6005-8485	P-UB-10	120 mm	260 mm	VME-11707027-EX	879.11
	11107829	6005-	P-UB-10	120 mm	260 mm	VME-11707027	771.99
	11107829	6005-	P-UB-10	120 mm	260 mm	VME-11707027-EX	879.11
	11107829	6005-8485	P-UB-10	120 mm	260 mm	VME-11707027	771.99
	11107829	6005-8485	P-UB-10	120 mm	260 mm	VME-11707027-EX	879.11
MODEL L220G							
HYDRAULIC	11045351	9001-, 12004-	P-U-15	50 mm	100 mm	VME-11704251	73.29
	11045352	9001-, 12004-	P-U-15	70 mm	140 mm	VME-11704250	193.06
	11045353	9001-, 12004-	P-U-15	60 mm	110 mm	VME-11704249	156.90
	11045355	9001-, 12004-	P-U-15	40 mm	80 mm	VME-11704253	81.28
	11045356	9001-, 12004-	P-U-15	60 mm	125 mm	VME-11704247	168.14
	11045357	9001-, 12004-	P-U-15	60 mm	110 mm	VME-11704249	156.90
	11045358	9001-, 12004-	P-U-15	80 mm	150 mm	VME-11704689	224.92
	11045360	9001-, 12004-	P-U-15	50 mm	110 mm	VME-11704252	110.27
	11045361	9001-, 12004-	P-U-15	50 mm	110 mm	VME-11704252	110.27
	11045363	9001-, 12004-	P-U-15	60 mm	110 mm	VME-11704249	156.90
	11045366	9001-, 12004-	P-U-15	60 mm	125 mm	VME-11704248	144.23
	11157999	9001-, 12004-	P-U-15	40 mm	80 mm	VME-11704253	81.28
	11417176	9001-, 12004-	P-U-15	60 mm	125 mm	VME-11704247	168.14
	15090184	9001-, 12004-	P-UB-10	60 mm	100 mm	VME-17254012	107.60
LIFT	15093342	9001-, 12004-	P-UB-10	90 mm	190 mm	VME-17238406	313.21
TILT	15086624	9001-, 12004-	P-UB-10	120 mm	250 mm	VME-17238353	652.66
	15128783	9001-, 12004-	P-UB-10	120 mm	250 mm	VME-17238353	652.66
MODEL L220H							
GRAPPLE	11045352	2003-2690, 2692-2734, 7001-7271, 12001-12103	P-U-15	70 mm	140 mm	VME-11704250	193.06
	11417176	2003-2690, 2692-2734, 7001-7271, 12001-12103	P-U-15	60 mm	125 mm	VME-11704247	168.14
HEEL/KICK OUT	11045363	2003-2690, 2692-2734, 7001-7271, 12001-12103	P-U-15	60 mm	110 mm	VME-11704249	156.90
LIFT	17230575	2003-2690, 2692-2734, 7001-7271, 12001-12103	P-UB-10	90 mm	190 mm	VME-17238406	313.21
STEERING	17225203	2003-2690, 2692-2734, 7001-7271, 12001-12103	P-UB-10	60 mm	100 mm	VME-17254012	107.60
TILT	17230579	2003-2690, 2692-2734, 7001-7271, 12001-12103	P-UB-10	120 mm	250 mm	VME-17238353	652.66
	17230580	2003-2690, 2692-2734, 7001-7271, 12001-12103	P-UB-10	120 mm	250 mm	VME-17238353	652.66
MODEL L250G							
HYDRAULIC	11045351	1002-, 3004-	P-U-15	50 mm	100 mm	VME-11704251	73.29
	11045352	1002-, 3004-	P-U-15	70 mm	140 mm	VME-11704250	193.06
	11045353	1002-, 3004-	P-U-15	60 mm	110 mm	VME-11704249	156.90
	11045355	1002-, 3004-	P-U-15	40 mm	80 mm	VME-11704253	81.28
	11045356	1002-, 3004-	P-U-15	60 mm	125 mm	VME-11704247	168.14
	11045357	1002-, 3004-	P-U-15	60 mm	110 mm	VME-11704249	156.90
	11045358	1002-, 3004-	P-U-15	80 mm	150 mm	VME-11704689	224.92
	11045360	1002-, 3004-	P-U-15	50 mm	110 mm	VME-11704252	110.27
	11045361	1002-, 3004-	P-U-15	50 mm	110 mm	VME-11704252	110.27
	11045363	1002-, 3004-	P-U-15	60 mm	110 mm	VME-11704249	156.90
	11045366	1002-, 3004-	P-U-15	60 mm	125 mm	VME-11704248	144.23
	11157999	1002-, 3004-	P-U-15	40 mm	80 mm	VME-11704253	81.28
	11417176	1002-, 3004-	P-U-15	60 mm	125 mm	VME-11704247	168.14
	15090184	1002-, 3004-	P-UB-10	60 mm	100 mm	VME-17254012	107.60
LIFT	15176546	1002-, 3004-	P-UB-10	110 mm	190 mm	VME-17265005	408.50

LR - Long Reach SLF - Super Long Front QF - Quick Fit FS - Front Shovel MH - Material Handle AS - Articulate Slope

VOLVO

Replacement Kits For

Loaders - Wheel							
APPLICATION	CYL #	SERIAL #	CODE	ROD	BORE	KIT #	List \$
MODEL L250G							
TILT	15086562	1002-, 3004-	P-UB-10	120 mm	220 mm	VME-17265044	590.19
MODEL L320							
LIFT	2558980	811A101-;811AC00651-	P-UB-10	4-1/2	9	VME-2562117	432.14
STEERING	12579807	811A101-;811AC00651-	P-UB-10	2-3/4	5	VME-2562115	303.11
TILT	2559495	811A101-;811AC00651-	P-UB-10	3-1/2	7-1/2	VME-2562116	315.27
MODEL L330C							
LIFT	11088626	60001-60086	P-UB-14	120 mm	230 mm	VME-11707904	873.31
	11088626	60001-60086	P-UB-14	120 mm	230 mm	VME-11707904-EX	1241.53
	11088626	60001-60086	Bushing	120 mm		VME-11088496	14.75
	11088626	60001-60086	Wear Ring		230 mm	VME-11088323	64.83
	11088795	60001-61000	P-UB-14	120 mm	230 mm	VME-11707904	873.31
	11088795	60001-61000	P-UB-14	120 mm	230 mm	VME-11707904-EX	1241.53
	11088795	60001-61000	Bushing	120 mm		VME-11088496	14.75
	11088795	60001-61000	Wear Ring		230 mm	VME-11088793	116.56
	11088795	60188-61000	P-UB-14	120 mm	230 mm	VME-11707904	873.31
	11088795	60188-61000	P-UB-14	120 mm	230 mm	VME-11707904-EX	1241.53
	11088795	60188-61000	Bushing	120 mm		VME-11088496	14.75
STEERING	11107381	60188-61000	Wear Ring		230 mm	VME-11088793	116.56
	11107381	60188-61000	P-UB-15	70 mm	125 mm	VME-15012903	234.61
	11107381	60188-61000	P-UB-15	70 mm	125 mm	VME-15012903-EX	242.22
	11107382	60188-61000	Bushing	70 mm		VME-11088054	3.67
	11107382	60188-61000	P-UB-15	70 mm	125 mm	VME-15012903	234.61
	11107382	60188-61000	P-UB-15	70 mm	125 mm	VME-15012903-EX	242.22
	11107382	60188-61000	Bushing	70 mm		VME-11088054	3.67
STEERING LH	11088529	60001-61000	P-UB-15	70 mm	125 mm	VME-11707902	192.55
STEERING RH	11088531	60001-61000	P-UB-15	70 mm	125 mm	VME-11707902	192.55
TILT	11088625	60001-61000	P-UB-14	90 mm	190 mm	VME-11707903	540.42
	11088625	60001-61000	P-UB-14	90 mm	190 mm	VME-11707903-EX	604.09
	11088625	60001-61000	Bushing	90 mm		VME-11088249	23.67
	11088625	60001-61000	Wear Ring		190 mm	VME-11088014	18.27
	11088625	60188-61000	P-UB-14	90 mm	190 mm	VME-11707903	540.42
	11088625	60188-61000	P-UB-14	90 mm	190 mm	VME-11707903-EX	604.09
	11088625	60188-61000	Bushing	90 mm		VME-11088249	23.67
	11088625	60188-61000	Wear Ring		190 mm	VME-11088014	18.27
MODEL L330C BM							
LIFT	11088626	-60086	P-UB-14	120 mm	230 mm	VME-11707904	873.31
	11088626	-60086	P-UB-14	120 mm	230 mm	VME-11707904-EX	1241.53
	11088626	-60086	Bushing	120 mm		VME-11088496	14.75
	11088626	-60086	Wear Ring		230 mm	VME-11088323	64.83
	11088795	60087-	P-UB-14	120 mm	230 mm	VME-11707904	873.31
	11088795	60087-	P-UB-14	120 mm	230 mm	VME-11707904-EX	1241.53
	11088795	60087-	Bushing	120 mm		VME-11088496	14.75
	11088795	60087-	Wear Ring		230 mm	VME-11088793	116.56
STEERING	11107381	60001-60187	P-UB-15	70 mm	125 mm	VME-15012903	234.61
	11107381	60001-60187	P-UB-15	70 mm	125 mm	VME-15012903-EX	242.22
	11107381	60001-60187	Bushing	70 mm		VME-11088054	3.67
	11107382	60001-60187	P-UB-15	70 mm	125 mm	VME-15012903	234.61
	11107382	60001-60187	P-UB-15	70 mm	125 mm	VME-15012903-EX	242.22
	11107382	60001-60187	Bushing	70 mm		VME-11088054	3.67
TILT	11088625	60001-60187	P-UB-14	90 mm	190 mm	VME-11707903	540.42
	11088625	60001-60187	P-UB-14	90 mm	190 mm	VME-11707903-EX	604.09
	11088625	60001-60187	Bushing	90 mm		VME-11088249	23.67
	11088625	60001-60187	Wear Ring		190 mm	VME-11088014	18.27
MODEL L330C LL							
LIFT	11088626	60001-60086	P-UB-14	120 mm	230 mm	VME-11707904	873.31

LR - Long Reach SLF - Super Long Front QF - Quick Fit FS - Front Shovel MH - Material Handle AS - Articulate Slope

VOLVO

VOLVO

Replacement Kits For

VOLVO

Loaders - Wheel							
APPLICATION	CYL #	SERIAL #	CODE	ROD	BORE	KIT #	List \$
MODEL L330C LL							
LIFT	11088626	60001-60086	P-UB-14	120 mm	230 mm	VME-11707904-EX	1241.53
	11088626	60001-60086	Bushing	120 mm		VME-11088496	14.75
	11088626	60001-60086	Wear Ring		230 mm	VME-11088323	64.83
	11088795	60001-61000	P-UB-14	120 mm	230 mm	VME-11707904	873.31
	11088795	60001-61000	P-UB-14	120 mm	230 mm	VME-11707904-EX	1241.53
	11088795	60001-61000	Bushing	120 mm		VME-11088496	14.75
	11088795	60001-61000	Wear Ring		230 mm	VME-11088793	116.56
	11088795	68052-70000	P-UB-14	120 mm	230 mm	VME-11707904	873.31
	11088795	68052-70000	P-UB-14	120 mm	230 mm	VME-11707904-EX	1241.53
	11088795	68052-70000	Bushing	120 mm		VME-11088496	14.75
STEERING	11107381	68052-70000	Wear Ring		230 mm	VME-11088793	116.56
	11107381	68052-70000	P-UB-15	70 mm	125 mm	VME-15012903	234.61
	11107381	68052-70000	P-UB-15	70 mm	125 mm	VME-15012903-EX	242.22
	11107382	68052-70000	Bushing	70 mm		VME-11088054	3.67
	11107382	68052-70000	P-UB-15	70 mm	125 mm	VME-15012903	234.61
	11107382	68052-70000	P-UB-15	70 mm	125 mm	VME-15012903-EX	242.22
STEERING LH	11088529	60001-61000	Bushing	70 mm		VME-11088054	3.67
STEERING RH	11088529	60001-61000	P-UB-15	70 mm	125 mm	VME-11707902	192.55
STEERING RH	11088531	60001-61000	P-UB-15	70 mm	125 mm	VME-11707902	192.55
TILT	11088625	60001-61000	P-UB-14	90 mm	190 mm	VME-11707903	540.42
	11088625	60001-61000	P-UB-14	90 mm	190 mm	VME-11707903-EX	604.09
	11088625	60001-61000	Bushing	90 mm		VME-11088249	23.67
	11088625	60001-61000	Wear Ring		190 mm	VME-11088014	18.27
	11088625	68052-70000	P-UB-14	90 mm	190 mm	VME-11707903	540.42
	11088625	68052-70000	P-UB-14	90 mm	190 mm	VME-11707903-EX	604.09
	11088625	68052-70000	Bushing	90 mm		VME-11088249	23.67
	11088625	68052-70000	Wear Ring		190 mm	VME-11088014	18.27
MODEL L330C LL BM							
LIFT	11088626	-60086	P-UB-14	120 mm	230 mm	VME-11707904	873.31
	11088626	-60086	P-UB-14	120 mm	230 mm	VME-11707904-EX	1241.53
	11088626	-60086	Bushing	120 mm		VME-11088496	14.75
	11088626	-60086	Wear Ring		230 mm	VME-11088323	64.83
	11088795	60087-	P-UB-14	120 mm	230 mm	VME-11707904	873.31
	11088795	60087-	P-UB-14	120 mm	230 mm	VME-11707904-EX	1241.53
	11088795	60087-	Bushing	120 mm		VME-11088496	14.75
	11088795	60087-	Wear Ring		230 mm	VME-11088793	116.56
STEERING	11107381	60001-60189	P-UB-15	70 mm	125 mm	VME-15012903	234.61
	11107381	60001-60189	P-UB-15	70 mm	125 mm	VME-15012903-EX	242.22
	11107381	60001-60189	Bushing	70 mm		VME-11088054	3.67
	11107382	60001-60189	P-UB-15	70 mm	125 mm	VME-15012903	234.61
	11107382	60001-60189	P-UB-15	70 mm	125 mm	VME-15012903-EX	242.22
	11107382	60001-60189	Bushing	70 mm		VME-11088054	3.67
TILT	11088625	60001-60189	P-UB-14	90 mm	190 mm	VME-11707903	540.42
	11088625	60001-60189	P-UB-14	90 mm	190 mm	VME-11707903-EX	604.09
	11088625	60001-60189	Bushing	90 mm		VME-11088249	23.67
	11088625	60001-60189	Wear Ring		190 mm	VME-11088014	18.27
MODEL L330D							
LIFT	11107383	61001-70000	P-UB-10	110 mm	200 mm	VME-11707905	1020.88
STEERING	11107981	61001-70000	P-UB-15	70 mm	125 mm	VME-15012903	234.61
	11107981	61001-70000	P-UB-15	70 mm	125 mm	VME-15012903-EX	242.22
	11107981	61001-70000	Bushing	70 mm		VME-11088054	3.67
	11107982	61001-70000	P-UB-15	70 mm	125 mm	VME-15012903	234.61
	11107982	61001-70000	P-UB-15	70 mm	125 mm	VME-15012903-EX	242.22
	11107982	61001-70000	Bushing	70 mm		VME-11088054	3.67
TILT	11107148	-61084	P-UB-10	90 mm	170 mm	VME-11709226	427.16

LR - Long Reach SLF - Super Long Front QF - Quick Fit FS - Front Shovel MH - Material Handle AS - Articulate Slope

VOLVO

Replacement Kits For

Loaders - Wheel							
APPLICATION	CYL #	SERIAL #	CODE	ROD	BORE	KIT #	List \$
MODEL L330D							
TILT	11107494	61085-62017	P-UB-10	90 mm	170 mm	VME-11709226	427.16
	11107505	62018-	P-UB-10	90 mm	170 mm	VME-11709226	427.16
MODEL L330E							
LIFT	11107579	-62117	P-UB-10	110 mm	200 mm	VME-11707905	1020.88
	11107865	62118-	P-UB-10	110 mm	200 mm	VME-11707905	1020.88
	11107867	62006-99999	P-UB-10	120 mm	230 mm	VME-11712156	794.27
STEERING	11107381	62006-99999	P-UB-15	70 mm	125 mm	VME-15012903	234.61
	11107381	62006-99999	P-UB-15	70 mm	125 mm	VME-15012903-EX	242.22
	11107381	62006-99999	Bushing	70 mm		VME-11088054	3.67
	11107382	62006-99999	P-UB-15	70 mm	125 mm	VME-15012903	234.61
	11107382	62006-99999	P-UB-15	70 mm	125 mm	VME-15012903-EX	242.22
	11107382	62006-99999	Bushing	70 mm		VME-11088054	3.67
	11107929	62006-99999	P-UB-15	70 mm	125 mm	VME-15012903	234.61
	11107929	62006-99999	P-UB-15	70 mm	125 mm	VME-15012903-EX	242.22
	11107929	62006-99999	Bushing	70 mm		VME-11088054	3.67
	11107930	62006-99999	P-UB-15	70 mm	125 mm	VME-15012903	234.61
	11107930	62006-99999	P-UB-15	70 mm	125 mm	VME-15012903-EX	242.22
TILT	11107930	62006-99999	Bushing	70 mm		VME-11088054	3.67
	11088625	62006-99999	P-UB-14	90 mm	190 mm	VME-11707903	540.42
	11088625	62006-99999	P-UB-14	90 mm	190 mm	VME-11707903-EX	604.09
	11088625	62006-99999	Bushing	90 mm		VME-11088249	23.67
	11088625	62006-99999	Wear Ring		190 mm	VME-11088014	18.27
11107866	62006-99999	P-UB-10	90 mm	170 mm	VME-11709226	427.16	
MODEL L350F							
HYDRAULIC	11045351	1001-10000	P-U-15	50 mm	100 mm	VME-11704251	73.29
	11045352	1001-10000	P-U-15	70 mm	140 mm	VME-11704250	193.06
	11045353	1001-10000	P-U-15	60 mm	110 mm	VME-11704249	156.90
	11045355	1001-10000	P-U-15	40 mm	80 mm	VME-11704253	81.28
	11045356	1001-10000	P-U-15	60 mm	125 mm	VME-11704247	168.14
	11045357	1001-10000	P-U-15	60 mm	110 mm	VME-11704249	156.90
	11045358	1001-10000	P-U-15	80 mm	150 mm	VME-11704689	224.92
	11045360	1001-10000	P-U-15	50 mm	110 mm	VME-11704252	110.27
	11045361	1001-10000	P-U-15	50 mm	110 mm	VME-11704252	110.27
	11045363	1001-10000	P-U-15	60 mm	110 mm	VME-11704249	156.90
	11045366	1001-10000	P-U-15	60 mm	125 mm	VME-11704248	144.23
	11107746	1001-10000	P-UB-10	70 mm	110 mm	VME-11716047	124.85
	11107746	1001-10000	P-UB-10	70 mm	110 mm	VME-11716047-EX	162.27
	11107746	1001-10000	Bushing	70 mm		VME-11088054	3.67
	11107746	1001-10000	Wear Ring		110 mm	VME-11107528	5.19
	11156699	1001-10000	I-UB-10	32 mm	50 mm	VME-11709821	111.90
	11156701	1001-10000	I-UB-10	32 mm	50 mm	VME-11709821	111.90
	11157999	1001-10000	P-U-15	40 mm	80 mm	VME-11704253	81.28
	11417176	1001-10000	P-U-15	60 mm	125 mm	VME-11704247	168.14
	15155930	1001-10000	P-U-15	40 mm	80 mm	VME-11704253	81.28
LIFT	11107772	1001-10000	P-UB-10	120 mm	230 mm	VME-15154575	580.64
	11107883	1001-10000	P-UB-10	110 mm	200 mm	VME-15010254	465.12
TILT	11107931	1001-10000	P-UB-10	120 mm	260 mm	VME-15011881	803.52
MODEL L480B							
STEERING	12584868	830BC00301-	P-UB-10	2-3/4	6	VME-2542568	319.90
MODEL L480T							
STEERING	2541333	829A201-	P-UB-10	2-3/4	6	VME-2542568	319.90
Motor Graders							
APPLICATION	CYL #	SERIAL #	CODE	ROD	BORE	KIT #	List \$
MODEL 710-740A							
CIRCLE SHIFT	89013	24736-;24483;24598;24599;24619;24620	I-U-5	2	4	VME-12724303	118.72

LR - Long Reach SLF - Super Long Front QF - Quick Fit FS - Front Shovel MH - Material Handle AS - Articulate Slope

VOLVO

VOLVO

Replacement Kits For

Motor Graders							
APPLICATION	CYL #	SERIAL #	CODE	ROD	BORE	KIT #	List \$
MODEL 750A, 780A							
CIRCLE TURN	89011	24736-;24483;24598;24599;24619;24620	I-U-5	1-3/8	3	VME-12724304	116.91
MODEL G930							
ARTICULATION	12744475	39300-99999;501000-	I-U-5	2	4-1/2	VME-12743310	105.36
Scrapers							
APPLICATION	CYL #	SERIAL #	CODE	ROD	BORE	KIT #	List \$
MODEL T450D							
STEERING	11296028	17001-99999	I-UB-10	70 mm	120 mm	VME-11712388	146.80
Wheel Dozers							
APPLICATION	CYL #	SERIAL #	CODE	ROD	BORE	KIT #	List \$
MODEL 180							
PITCH	1503598	2892-2942;2LC52-;2LG101-	P-V-10	2-3/4	6	VME-2516065	123.93
TILT	1503598	1896;1898-1902;2823-2891;1823-1895;1897;1903;1904	P-V-10	2-3/4	6	VME-2516065	123.93
	1503986	2892-2942;2LC52-;2LG101-	P-V-10	1-3/4	3-1/2	VME-2516071	88.73
MODEL 180-III							
LIFT	1503608	5LC101-;6LG101-;4035B101FSC-	P-U-10	2	5	VME-2516059	103.88
PITCH	1503598	5LC101-;6LG101-;4035B101FSC-	P-V-10	2-3/4	6	VME-2516065	123.93
STEERING	1503987	5LC101-;6LG101-;4035B101FSC-	P-V-10	1-3/4	3-1/2	VME-2516071	88.73
TILT	1503986	5LC101-;6LG101-;4035B101FSC-	P-V-10	1-3/4	3-1/2	VME-2516071	88.73
MODEL 280							
LIFT	1503604	32123-32999;1MC156-3MC999;1MG1-3MG999	P-V-10	2-3/4	6	VME-2516065	123.93
PITCH	1503607	32123-32999;1MC156-3MC999;1MG1-3MG999	P-V-10	2-3/4	6	VME-2516065	123.93
MODEL 280B							
LIFT	2522607	498A;499A	P-U-10	2-3/4	6	VME-2538182	120.29
	962698	498A;499A	P-UB-10	2-3/4	6	VME-2542568	319.90
PITCH	964665	498A;499A	P-UB-10	2	4-1/2	VME-2551398	105.47
STEERING	2528419	498A;499A	P-U-10	2-1/4	5-1/4	VME-2538181	97.91
	964663	498A;499A	P-UB-10	2-1/4	5-1/4	VME-2551399	152.83
TILT	2522880	498A;499A	P-U-10	2-1/4	5-1/4	VME-2538181	97.91
	964662	498A;499A	P-UB-10	2-1/4	5-1/4	VME-2551399	152.83
MODEL 280C							
LIFT	12565916	819A	P-U-10	2-3/4	6	VME-2538182	120.29
	2522607	819A	P-U-10	2-3/4	6	VME-2538182	120.29
	962698	819A	P-UB-10	2-3/4	6	VME-2542568	319.90
PITCH	964665	819A	P-UB-10	2	4-1/2	VME-2551398	105.47
STEERING	2528419	819A	P-U-10	2-1/4	5-1/4	VME-2538181	97.91
	964663	819A	P-UB-10	2-1/4	5-1/4	VME-2551399	152.83
TILT	2522880	819A	P-U-10	2-1/4	5-1/4	VME-2538181	97.91
	964662	819A	P-UB-10	2-1/4	5-1/4	VME-2551399	152.83
MODEL 280-III							
LIFT	1503604	4MC102-6MC999;4MG101-8MG999	P-V-10	2-3/4	6	VME-2516065	123.93
PITCH	1503607	4MC102-6MC999;4MG101-8MG999	P-V-10	2-3/4	6	VME-2516065	123.93
MODEL 280-III A							
LIFT	1503604	8AMC192-;9AMG425-;4047B101FSC;456B101-999;456C101-145C;460D101C-130C	P-V-10	2-3/4	6	VME-2516065	123.93
	1503605	8AMC101-8AMC192;9AMG125-9AMG424	P-U-10	2-1/4	5-1/2	VME-2516094	97.98
	2522607	456C146C-;460D131C-	P-U-10	2-3/4	6	VME-2538182	120.29
PITCH	964665	460D131C-	P-UB-10	2	4-1/2	VME-2551398	105.47
STEERING	1503241	8AMC101-8AMC217;9AMG125-9AMG469	P-U-10	2-1/4	5-1/2	VME-2516094	97.98
	1503606	456B101-999;456C101-145C	P-U-10	2-1/4	5-1/2	VME-2516094	97.98
	1515236	3AMC218-;9AMG470-;4047B101FSC-;456B101-999;456C101C-145C;460D101-130C	P-U-10	2-1/4	5-1/2	VME-2516094	97.98
	2522880	456C146C-	P-U-10	2-1/4	5-1/4	VME-2538181	97.91

LR - Long Reach SLF - Super Long Front QF - Quick Fit FS - Front Shovel MH - Material Handle AS - Articulate Slope

VOLVO

Replacement Kits For

Wheel Dozers								
APPLICATION	CYL #	SERIAL #	CODE	ROD	BORE	KIT #	List \$	
MODEL 280-III A								
STEERING	2522932	456C146C-;460D131C-	P-U-10	2-1/4	5-1/4	VME-2538181	97.91	
	964584	456C146C-	P-UB-10	2-1/4	5-1/4	VME-2551399	152.83	
TILT	1503606	8AMC101-9AMC999;9AMG122;9AMG124-;4047B101FSC-;460D101-130C	P-U-10	2-1/4	5-1/2	VME-2516094	97.98	
	2522880	460D131C-	P-U-10	2-1/4	5-1/4	VME-2538181	97.91	
	964662	460D131C-	P-UB-10	2-1/4	5-1/4	VME-2551399	152.83	
MODEL 380B								
LIFT	12568715	813A;813B;813BC	P-UB-10	2-3/4	6	VME-2542568	319.90	
	12572636	813A;813B;813BC	P-UB-10	2-3/4	6	VME-2542568	319.90	
	1510225	418F101K-114K;484B101K-108K;434C101K-104K	P-V-10	2-3/4	6	VME-2516065	123.93	
	2522115	418F115K-;484B109K-;434C105K-;484C101C-136C	P-U-10	2-3/4	6	VME-2538182	120.29	
	2522115	808A101C-110C;810A101C-999C;434D101C-999C	P-U-10	2-3/4	6	VME-2538182	120.29	
	2552344	418F;484B;434C;813A;813B;813BC	P-U-10	2-3/4	6	VME-2538182	120.29	
	2556914	813A;813B;813BC	P-UB-10	2-3/4	6	VME-2542568	319.90	
	962697	484C101C-136C;808A101C-110C;810A101C-999C;434D101C-999C	P-UB-10	2-3/4	6	VME-2542568	319.90	
	964787	484C137C-999C;808A111C-999C;808A101CAC-;484C101CAC-;810A101CAC-	P-UB-10	2-3/4	6	VME-2542568	319.90	
PITCH	1505457	418F101K-114K;484B101K-108K;434C101K-104K	P-U-10	2-1/4	5-1/2	VME-2516094	97.98	
	2522411	418F115K-;484B109K-;434C105K-;484C;808A;434D;810A;813A;813B;813BC	P-U-10	2-1/4	5-1/4	VME-2538181	97.91	
	2556971	813A;813B;813BC	P-UB-10	2-1/4	5-1/4	VME-2551399	152.83	
	964583	418F115K-;484B109K-;434C105K-;484C;808A;434D;810A;813A;813B;813BC	P-UB-10	2-1/4	5-1/4	VME-2551399	152.83	
STEERING	2522598	418F115K-;484B109K-;434C105K-;484C;808A;434D;810A;813A;813B;813BC	P-UB-10	3-1/2	8	VME-2538186	251.00	
TILT	2522120	418F115K-;484B109K-;434C105K-;484C;808A;434D;810A;813A;813B;813BC	P-U-10	2-3/4	6	VME-2538182	120.29	
	964577	418F115K-;484B109K-;434C105K-;484C;808A;434D;810A;813A;813B;813BC	P-UB-10	2-3/4	6	VME-2542568	319.90	
MODEL 380-III								
LIFT	1503610	5RG101-	P-U-10	2-3/4	7	VME-2516148	149.70	
TILT	1503603	5RG101-	P-V-10	2-3/4	6	VME-2516065	123.93	
MODEL 380-III A								
LIFT	1510225	418A406-;418D;484A;434A	P-V-10	2-3/4	6	VME-2516065	123.93	
	1531615	418A101-418A405;434A	P-V-10	2-3/4	6	VME-2516065	123.93	
PITCH	1505457	418A101-999;418D;484A;434A	P-U-10	2-1/4	5-1/2	VME-2516094	97.98	
MODEL W380								
TILT	2561629		P-UB-10	2-3/4	6	VME-2542568	319.90	

LR - Long Reach SLF - Super Long Front QF - Quick Fit FS - Front Shovel MH - Material Handle AS - Articulate Slope

REPLACEMENT KITS FOR VOLVO EQUIPMENT

Kit Number	Code (Pg. xiv)	Rod X Bore Size	List Price
VME-11000107	P-U-15	60 X 125 mm	\$207.13
VME-11370055	I-UB-10	50 X 100 mm	207.94
VME-11370750	P-U-10	65 X 125 mm	176.32
VME-11370773	P-U-10	50 X 110 mm	166.14
VME-11370826	P-U-10	50 X 100 mm	206.41
VME-11700151	P-U-15	70 X 120 mm	119.81
VME-11700151-EX	P-U-15	70 X 120 mm	124.61
VME-11700176	P-UB-13	90 X 160 mm	552.17
VME-11700187	P-U-15	80 X 150 mm	144.06
VME-11701531	P-UB-14	120 X 250 mm	914.57
VME-11701531-EX	P-UB-14	120 X 250 mm	984.56
VME-11701665-9	P-U-15	70 X 110 mm	86.21
VME-11702311	P-U-10	32 X 70 mm	119.13
VME-11702744	P-UB-10	105 X 150 mm	548.18
VME-11702757	P-UB-10	125 X 170 mm	802.41
VME-11703474	P-UB-10	100 X 150 mm	593.31
VME-11703689	P-U-10	50 X 100 mm	105.84
VME-11703689-EX	P-U-10	50 X 100 mm	115.30
VME-11703860	P-UB-14	120 X 260 mm	872.36
VME-11703860-EX	P-UB-14	120 X 260 mm	977.35
VME-11704247	P-U-15	60 X 125 mm	168.14
VME-11704248	P-U-15	60 X 125 mm	144.23
VME-11704249	P-U-15	60 X 110 mm	156.90
VME-11704250	P-U-15	70 X 140 mm	193.06
VME-11704251	P-U-15	50 X 100 mm	73.29
VME-11704252	P-U-15	50 X 110 mm	110.27
VME-11704253	P-U-15	40 X 80 mm	81.28
VME-11704254	P-U-15	32 X 63 mm	71.67
VME-11704689	P-U-15	80 X 150 mm	224.92
VME-11705087	P-U-10	16 X 32 mm	163.67
VME-11705087-EX	P-U-10	16 X 32 mm	167.19
VME-11705101	O-rings		8.20
VME-11705109	O-rings		9.31
VME-11705814	P-UB-10	95 X 140 mm	530.86
VME-11705815	P-UB-10	105 X 150 mm	577.69
VME-11705818	P-UB-10	110 X 160 mm	684.41
VME-11705882	P-UB-10	90 X 190 mm	274.04
VME-11705882-EX	P-UB-10	90 X 190 mm	323.32
VME-11707023	P-UB-10	70 X 130 mm	241.96
VME-11707023-EX	P-UB-10	70 X 130 mm	261.12
VME-11707024	P-UB-10	80 X 180 mm	326.61
VME-11707024-EX	P-UB-10	80 X 180 mm	392.71
VME-11707025	P-UB-10	90 X 170 mm	354.57
VME-11707025-EX	P-UB-10	90 X 170 mm	383.62
VME-11707026	P-UB-10	90 X 190 mm	379.40

Kit Number	Code (Pg. xiv)	Rod X Bore Size	List Price
VME-11707026-EX	P-UB-10	90 X 190 mm	\$407.26
VME-11707027	P-UB-10	120 X 260 mm	771.99
VME-11707027-EX	P-UB-10	120 X 260 mm	879.11
VME-11707028	P-UB-10	90 X 190 mm	532.87
VME-11707028-EX	P-UB-10	90 X 190 mm	608.19
VME-11707029	P-UB-10	110 X 230 mm	644.39
VME-11707029-EX	P-UB-10	110 X 230 mm	777.94
VME-11707030	P-UB-10	120 X 250 mm	711.09
VME-11707030-EX	P-UB-10	120 X 250 mm	785.45
VME-11707031	P-UB-10	120 X 260 mm	802.58
VME-11707031-EX	P-UB-10	120 X 260 mm	877.21
VME-11707447	P-UB-10	90 X 170 mm	708.58
VME-11707447-EX	P-UB-10	90 X 170 mm	766.42
VME-11707450	P-UB-10	120 X 230 mm	622.77
VME-11707450-EX	P-UB-10	120 X 230 mm	718.46
VME-11707451	P-UB-10	120 X 250 mm	703.41
VME-11707451-EX	P-UB-10	120 X 250 mm	777.91
VME-11707902	P-UB-15	70 X 125 mm	192.55
VME-11707903	P-UB-14	90 X 190 mm	540.42
VME-11707903-EX	P-UB-14	90 X 190 mm	604.09
VME-11707904	P-UB-14	120 X 230 mm	873.31
VME-11707904-EX	P-UB-14	120 X 230 mm	1241.53
VME-11707905	P-UB-10	110 X 200 mm	1020.88
VME-11708734	P-UB-10	90 X 150 mm	123.99
VME-11708734-EX	P-UB-10	90 X 150 mm	219.26
VME-11708825	P-UB-10	80 X 150 mm	172.52
VME-11708825-EX	P-UB-10	80 X 150 mm	227.24
VME-11708833	P-UB-10	110 X 220 mm	353.41
VME-11708833-EX	P-UB-10	110 X 220 mm	487.63
VME-11709018	P-UB-10	90 X 160 mm	238.53
VME-11709018-EX	P-UB-10	90 X 160 mm	272.34
VME-11709019	P-UB-10	90 X 180 mm	256.38
VME-11709019-EX	P-UB-10	90 X 180 mm	292.88
VME-11709025	P-UB-10	120 X 250 mm	554.63
VME-11709025-EX	P-UB-10	120 X 250 mm	659.87
VME-11709026	P-UB-10	110 X 230 mm	364.61
VME-11709026-EX	P-UB-10	110 X 230 mm	479.08
VME-11709028	P-UB-15	50 X 100 mm	107.05
VME-11709028-EX	P-UB-15	50 X 100 mm	110.11
VME-11709029	P-UB-15	50 X 90 mm	97.77
VME-11709029-EX	P-UB-15	50 X 90 mm	101.01
VME-11709111	P-U-10	16 X 32 mm	83.99
VME-11709226	P-UB-10	90 X 170 mm	427.16
VME-11709249	P-U-10	60 X 100 mm	85.74
VME-11709249-EX	P-U-10	60 X 100 mm	99.13

REPLACEMENT KITS FOR VOLVO EQUIPMENT

VOLVO

Kit Number	Code (Pg. xiv)	Rod X Bore Size	List Price
VME-11709384	P-UB-10	90 X 160 mm	\$237.60
VME-11709384-EX	P-UB-10	90 X 160 mm	307.90
VME-11709528	I-UB-10	65 X 120 mm	151.65
VME-11709538	I-UB-10	40 X 70 mm	70.54
VME-11709543	I-UB-10	60 X 120 mm	147.86
VME-11709547	I-UB-10	60 X 90 mm	127.88
VME-11709617	I-UB-10	50 X 85 mm	146.77
VME-11709624	I-UB-10	60 X 110 mm	107.24
VME-11709632	I-UB-10	50 X 70 mm	62.05
VME-11709677	I-UB-10	50 X 95 mm	139.50
VME-11709817	P-UB-15	50 X 80 mm	102.51
VME-11709817-EX	P-UB-15	50 X 80 mm	105.65
VME-11709821	I-UB-10	32 X 50 mm	111.90
VME-11709829	P-UB-10	70 X 120 mm	202.49
VME-11709829-EX	P-UB-10	70 X 120 mm	223.97
VME-11709832	P-UB-10	90 X 180 mm	515.71
VME-11709832-EX	P-UB-10	90 X 180 mm	555.60
VME-11709868	P-UB-10	80 X 150 mm	286.04
VME-11709872	P-UB-15	45 X 70 mm	109.77
VME-11709872-EX	P-UB-15	45 X 70 mm	111.52
VME-11709898	I-U-10	38 X 63 mm	82.99
VME-11709913	P-U-10	40 X 70 mm	154.21
VME-11709965	P-UB-10	90 X 160 mm	497.55
VME-11709965-EX	P-UB-10	90 X 160 mm	534.17
VME-11709998	P-UB-10	70 X 110 mm	214.90
VME-11709998-EX	P-UB-10	70 X 110 mm	230.64
VME-11710606	I-O-10	16 X 40 mm	24.56
VME-11710948	I-UB-10	50 X 95 mm	98.11
VME-11711451	I-U-10	1-1/2 X 3	37.33
VME-11711929	I-U-10	1-5/8 X 2-3/4	35.78
VME-11711945	P-U-10	90 X 150 mm	198.19
VME-11711945-EX	P-U-10	90 X 150 mm	278.81
VME-11712156	P-UB-10	120 X 230 mm	794.27
VME-11712387	I-UB-10	60 X 100 mm	106.04
VME-11712388	I-UB-10	70 X 120 mm	146.80
VME-11712450	I-UB-10	55 X 85 mm	152.11
VME-11712455	I-UB-10	65 X 115 mm	119.04
VME-11712523	I-U-10	36 X 63 mm	100.64
VME-11712746	I-UB-10	50 X 80 mm	110.23
VME-11712749	I-UB-10	60 X 105 mm	107.24
VME-11714561	P-UB-10	60 X 100 mm	147.43
VME-11714561-EX	P-UB-10	60 X 100 mm	155.17
VME-11715295	I-UB-10	55 X 95 mm	137.34
VME-11715864	P-UB-10	70 X 120 mm	184.16
VME-11715864-EX	P-UB-10	70 X 120 mm	204.64

Kit Number	Code (Pg. xiv)	Rod X Bore Size	List Price
VME-11715865	P-UB-10	70 X 125 mm	\$190.03
VME-11715865-EX	P-UB-10	70 X 125 mm	222.84
VME-11716047	P-UB-10	70 X 110 mm	124.85
VME-11716047-EX	P-UB-10	70 X 110 mm	162.27
VME-11716625	I-U-10	36 X 65 mm	89.12
VME-11716720	I-U-10	38 X 63 mm	50.54
VME-11988179	P-U-10	35 X 60 mm	63.49
VME-11988180	P-U-10	35 X 60 mm	97.96
VME-11988181	P-U-10	35 X 63 mm	67.52
VME-11988183	P-U-10	35 X 63 mm	105.90
VME-11988184	P-U-10	40 X 70 mm	76.33
VME-11988209	P-U-10,13	80 X 125 mm	298.39
VME-11988209-EX	P-U-10,13	80 X 125 mm	322.19
VME-11988358	P-U-10	45 X 70 mm	109.94
VME-11988359	P-U-10	45 X 70 mm	58.45
VME-11988360	P-U-10	50 X 90 mm	69.86
VME-11988361	P-U-10	45 X 80 mm	71.27
VME-11988963	P-U-10	50 X 80 mm	96.84
VME-11988983	P-U-10	50 X 90 mm	100.87
VME-11990026	P-U-15	60 X 120 mm	172.34
VME-11990027	P-U-15	70 X 125 mm	149.62
VME-11990028	P-UB-15	60 X 110 mm	107.09
VME-11990029	P-U-15	70 X 140 mm	242.99
VME-11990050	P-U-15	50 X 80 mm	86.54
VME-11990060	P-U-1	20 mm Rod Kit	71.57
VME-11990070	P-U-15	70 X 110 mm	117.25
VME-11990106	P-U-15	40 X 80 mm	108.67
VME-11990106-4	P-U-15	40 X 80 mm	108.67
VME-11990158	P-U-15	80 X 160 mm	266.87
VME-11990170-0	P-U-15	80 X 140 mm	309.31
VME-11990175	P-U-1	25 mm Rod Kit	107.78
VME-11990180	P-U-15	50 X 100 mm	102.95
VME-11990181	P-U-15	60 X 100 mm	85.54
VME-11990243	P-U-15	45 X 80 mm	54.02
VME-11990243-5	P-U-15	45 X 80 mm	54.02
VME-11990244	P-U-15	50 X 90 mm	94.21
VME-11990244-3	P-U-15	50 X 90 mm	94.21
VME-11990347	P-U-15	50 X 90 mm	96.24
VME-11990347-EX	P-U-15	50 X 90 mm	99.54
VME-11990348	P-UB-14	120 X 250 mm	922.03
VME-11990348-EX	P-UB-14	120 X 250 mm	1011.48
VME-11990349	P-UB-14	90 X 170 mm	622.49
VME-11990349-EX	P-UB-14	90 X 170 mm	682.18
VME-11990351-6	P-U-13	70 X 125 mm	304.07
VME-11990395	P-UB-14	120 X 260 mm	982.35

REPLACEMENT KITS FOR VOLVO EQUIPMENT

Kit Number	Code (Pg. xiv)	Rod X Bore Size	List Price
VME-11990395-EX	P-UB-14	120 X 260 mm	\$1053.10
VME-11990396	P-UB-14	90 X 190 mm	513.66
VME-11990396-EX	P-UB-14	90 X 190 mm	541.51
VME-11990398	P-U-15	50 X 100 mm	89.25
VME-11990398-EX	P-U-15	50 X 100 mm	92.86
VME-11990404	P-U-15	70 X 140 mm	203.03
VME-11990405	P-UB-15	60 X 125 mm	129.27
VME-11990437	P-U-15	70 X 125 mm	214.64
VME-11990437-3	P-U-15	70 X 125 mm	214.64
VME-11990437-EX	P-U-15	70 X 125 mm	222.68
VME-11990438	P-U-15	60 X 90 mm	140.72
VME-11990438-1	P-U-15	60 X 90 mm	140.72
VME-11990438-EX	P-U-15	60 X 90 mm	144.87
VME-11990439	P-U-15	40 X 63 mm	103.40
VME-11990439-EX	P-U-15	40 X 63 mm	105.47
VME-11991589	75,120,140 mm Tele.		317.75
VME-11991589-0	75,120,140 mm Tele.		317.75
VME-11993103	75,120,140 mm Tele.		263.02
VME-11993103-8	75,120,140 mm Tele.		267.58
VME-11993411	75,90,105,120,140 mm Tele.		468.12
VME-11993411-5	75,90,105,120,140 mm Tele.		468.12
VME-11997089-5	P-U-14	105 X 160 mm	944.88
VME-11997091-1	P-UB-14	90 X 140 mm	752.47
VME-11997225	P-U-15	80 X 125 mm	444.54
VME-11997226	P-U-14	105 X 150 mm	654.01
VME-11997227	P-U-14	50 X 70 mm	267.84
VME-11998574	P-U-13	70 X 140 mm	386.10
VME-11998574-EX	P-U-13	70 X 140 mm	403.25
VME-11998575	P-U-13	100 X 140	443.42
VME-11998575-EX	P-U-13	100 X 140	478.51
VME-11998809	P-UB-14	80 X 150 mm	410.16
VME-11998809-EX	P-UB-14	80 X 150 mm	400.89
VME-11998810	P-UB-13	70 X 100 mm	309.83
VME-11998810-EX	P-UB-13	70 X 100 mm	317.79
VME-11999362	P-U-15	25 X 45 mm	97.59
VME-11999887	P-UB-10	32 X 70 mm	155.90
VME-11999892	P-UB-14	110 X 230 mm	620.35
VME-11999892-EX	P-UB-14	110 X 230 mm	755.61
VME-11999893	P-UB-14	90 X 190 mm	674.59
VME-11999893-EX	P-UB-14	90 X 190 mm	735.39
VME-11999894	P-UB-14	80 X 160 mm	408.05
VME-11999894-EX	P-UB-14	80 X 160 mm	472.40
VME-11999895	P-UB-14	70 X 130 mm	289.42
VME-11999895-EX	P-UB-14	70 X 130 mm	313.57
VME-11999906	P-UB-15	50 X 80 mm	99.53

Kit Number	Code (Pg. xiv)	Rod X Bore Size	List Price
VME-11999906-EX	P-UB-15	50 X 80 mm	\$102.73
VME-11999907	P-U-15	40 X 70 mm	71.45
VME-11999907-EX	P-U-15	40 X 70 mm	74.20
VME-12619709	I-UB-10	4,7 X 6,8	1,556.55
VME-12724303	I-U-5	2 X 4	118.72
VME-12724304	I-U-5	1-3/8 X 3	116.91
VME-12724306	I-U-5	2 X 3-1/2	85.68
VME-12743310	I-U-5	2 X 4-1/2	105.36
VME-12969637	Valve Kit		39.10
VME-14510588	P-UB-14	80 X 160 mm	270.07
VME-14510910	P-U-10	25 X 50 mm	112.00
VME-14510911	P-U-10	32 X 70 mm	116.46
VME-14510912	P-U-10	32 X 90 mm	131.03
VME-14512948	P-UB-10	105 X 160 mm	525.58
VME-14512950	P-UB-10	115 X 175 mm	912.14
VME-14512955	P-UB-10	105 X 160 mm	383.15
VME-14512961	P-UB-10	100 X 145 mm	415.60
VME-14512968	P-UB-10	105 X 150 mm	291.91
VME-14513714	P-UB-10	95 X 140 mm	501.99
VME-14513715	P-UB-10	105 X 150 mm	534.65
VME-14513726	P-UB-10	110 X 165 mm	622.63
VME-14513727	P-UB-10	130 X 190 mm	588.04
VME-14514454	P-UB-10	90 X 130 mm	356.58
VME-14514455	P-UB-10	90 X 135 mm	515.51
VME-14514456	P-UB-10	105 X 160 mm	525.85
VME-14514457	P-UB-10	100 X 140 mm	480.08
VME-14515051	P-UB-10	80 X 125 mm	306.63
VME-14515052	P-UB-10	95 X 135 mm	336.26
VME-14515053	P-UB-10	80 X 120 mm	312.21
VME-14516932	P-UB-10	70 X 105 mm	228.31
VME-14516933	P-UB-10	70 X 110 mm	297.48
VME-14516934	P-UB-10	90 X 160 mm	303.77
VME-14517001	P-UB-10	90 X 130 mm	233.05
VME-14519359	P-UB-10	110 X 170 mm	398.97
VME-14519503	P-UB-10	75 X 115 mm	246.20
VME-14519504	P-UB-10	75 X 105 mm	299.28
VME-14519505	P-UB-10	80 X 120 mm	349.76
VME-14519624	P-UB-10	95 X 140 mm	302.06
VME-14520420	P-UB-14	60 X 105 mm	211.81
VME-14522992	P-U-10	32 X 90 mm	122.20
VME-14523116	P-U-10	25 X 50 mm	90.83
VME-14523132	P-U-10	32 X 70 mm	141.28
VME-14524766	P-UB-10	55 X 100 mm	123.12
VME-14524767	P-UB-10	55 X 85 mm	142.07
VME-14524768	P-UB-10	50 X 75 mm	131.81

REPLACEMENT KITS FOR VOLVO EQUIPMENT

VOLVO

Kit Number	Code (Pg. xiv)	Rod X Bore Size	List Price
VME-14524769	P-UB-10	45 X 85 mm	\$138.71
VME-14530716	P-UB-10	60 X 90 mm	248.92
VME-14530717	P-UB-10	95 X 130 mm	221.28
VME-14530718	P-UB-10	55 X 100 mm	179.55
VME-14530719	P-UB-10	55 X 80 mm	249.13
VME-14530833	P-UB-10	70 X 105 mm	215.15
VME-14534271	P-UB-14	95 X 190 mm	582.84
VME-14541717	P-UB-10	95 X 140 mm	504.93
VME-14547310	P-UB-10	70 X 100 mm	280.15
VME-14551098	P-UB-10	70 X 100 mm	170.58
VME-14553242	P-UB-10	75 X 105 mm	248.62
VME-14573751	P-UB-10	110 X 165 mm	672.78
VME-14589123	P-UB-10	90 X 160 mm	236.64
VME-14589124	P-UB-10	80 X 120 mm	349.76
VME-14589125	P-UB-10	70 X 100 mm	170.58
VME-14589126	P-UB-10	95 X 140 mm	209.98
VME-14589127	P-UB-10	75 X 115 mm	182.89
VME-14589128	P-UB-10	75 X 105 mm	136.61
VME-14589129	P-UB-10	80 X 125 mm	376.25
VME-14589130	P-UB-10	105 X 160 mm	294.61
VME-14589131	P-UB-10	95 X 135 mm	406.42
VME-14589132	P-UB-10	80 X 120 mm	264.74
VME-14589133	P-UB-10	90 X 130 mm	464.00
VME-14589134	P-UB-10	90 X 135 mm	475.55
VME-14589135	P-UB-10	100 X 140 mm	339.97
VME-14589136	P-UB-10	95 X 140 mm	347.95
VME-14589137	P-UB-10	110 X 170 mm	366.72
VME-14589138	P-UB-10	105 X 150 mm	429.38
VME-14589139	P-UB-10	105 X 160 mm	481.97
VME-14589140	P-UB-10	115 X 175 mm	709.07
VME-14589141	P-UB-10	100 X 145 mm	395.89
VME-14589142	P-UB-10	105 X 160 mm	444.04
VME-14589143	P-UB-10	110 X 165 mm	472.47
VME-14589144	P-UB-10	130 X 190 mm	578.97
VME-14589145	P-UB-10	110 X 165 mm	629.36
VME-14589146	P-UB-14	80 X 160 mm	321.27
VME-14589148	P-UB-10	60 X 110 mm	172.90
VME-14589150	P-UB-14	50 X 80 mm	218.55
VME-14589153	P-UB-14	55 X 90 mm	206.60
VME-14589154	P-UB-14	60 X 105 mm	283.58
VME-14589159	P-UB-10	105 X 150 mm	291.91
VME-14589164	P-UB-10	50 X 75 mm	131.81
VME-14589199	P-UB-14	95 X 140 mm	147.14
VME-14597349	P-U-10	35 X 65 mm	97.95
VME-14599293	P-UB-14	130 X 200 mm	1,022.80

Kit Number	Code (Pg. xiv)	Rod X Bore Size	List Price
VME-14612137	P-UB-14	125 X 190 mm	\$951.63
VME-14612138	P-UB-14	150 X 215 mm	1,297.62
VME-14612139	P-UB-14	130 X 190 mm	1,086.24
VME-14612140	P-UB-14	140 X 200 mm	1,032.02
VME-14618212	P-UB-10	125 X 190 mm	895.27
VME-14618213	P-UB-10	150 X 215 mm	1,167.70
VME-14618214	P-UB-10	130 X 190 mm	679.76
VME-14618215	P-UB-10	140 X 200 mm	683.22
VME-14700703	P-UB-10	115 X 175 mm	394.09
VME-15010254	P-UB-10	110 X 200 mm	465.12
VME-15011881	P-UB-10	120 X 260 mm	803.52
VME-15012903	P-UB-15	70 X 125 mm	234.61
VME-15012903-EX	P-UB-15	70 X 125 mm	242.22
VME-15078352	P-U-10	50 X 90 mm	52.28
VME-15153996	P-UB-10	90 X 150 mm	235.46
VME-15154575	P-UB-10	120 X 230 mm	580.64
VME-15162235	P-UB-10	70 X 110	193.24
VME-15162237	P-UB-10	90 X 160	323.16
VME-15173282	P-UB-10	65 X 120 mm	229.97
VME-15174598	P-U-10	40 X 63 mm	78.08
VME-15238850	P-UB-10	50 X 75	194.30
VME-1701665-9	P-U-15	70 X 110 mm	86.21
VME-17200208	P-U-15	40 X 80 mm	81.28
VME-17207945	P-UB-10	90 X 115 mm	332.93
VME-17207945	P-UB-10	90 X 115 mm	332.93
VME-17238353	P-UB-10	120 X 250 mm	652.66
VME-17238406	P-UB-10	90 X 190 mm	313.21
VME-17238415	P-UB-10	120 X 240 mm	464.80
VME-17238417	P-UB-10	90 X 180 mm	209.85
VME-17253413	P-UB-10	80 X 150	335.54
VME-17253420	P-UB-10	110 X 210	428.64
VME-17253746	P-UB-10	70 X 120	223.89
VME-17253752	P-UB-10	110 X 140 mm	346.46
VME-17253805	P-UB-10	70 X 140 mm	227.85
VME-17253817	P-UB-10	110 X 220 mm	353.41
VME-17253817-EX	P-UB-10	110 X 220 mm	487.63
VME-17254012	P-UB-10	60 X 100 mm	107.60
VME-17254063	P-UB-15	50 X 80	101.79
VME-17264520	P-UB-10	90 X 160 mm	191.51
VME-17264860	P-UB-10	110 X 220 mm	369.50
VME-17265005	P-UB-10	110 X 190 mm	408.50
VME-17265044	P-UB-10	120 X 220 mm	590.19
VME-17409412	P-UB-10	80 X 150	104.22
VME-1990351-6	P-U-13	70 X 125 mm	304.07
VME-1991086	P-U-10	1-3/4 X 3-1/2	66.85

REPLACEMENT KITS FOR VOLVO EQUIPMENT

Kit Number	Code (Pg. xiv)	Rod X Bore Size	List Price
VME-1991089	P-TR-10	2-3/4 X 6	\$150.65
VME-2516054	P-V-10	2-1/4 X 4-1/4	71.18
VME-2516055	I-U-10	1 X 2-1/2	37.09
VME-2516058	P-U-10	2-1/4 X 5	81.16
VME-2516059	P-U-10	2 X 5	103.88
VME-2516060	I-U-10	2-1/4 X 5	71.35
VME-2516061	P-U-10	2-1/4 X 5	99.83
VME-2516065	P-V-10	2-3/4 X 6	123.93
VME-2516070	P-V-10	2-1/4 X 4-1/2	103.51
VME-2516071	P-V-10	1-3/4 X 3-1/2	88.73
VME-2516072	I-U-10	1-3/4 X 3-1/2	59.57
VME-2516073	P-U-10	2 X 3-1/2	74.30
VME-2516088	P-U-10	2 X 4	100.03
VME-2516090	P-U-10	2 X 4	66.99
VME-2516094	P-U-10	2-1/4 X 5-1/2	97.98
VME-2516148	P-U-10	2-3/4 X 7	149.70
VME-2516151	P-V-10	2 X 4-1/2	68.02
VME-2516152	P-V-10	2-1/4 X 4-1/2	86.88
VME-2516155	P-V-10	2-3/4 X 7	215.18
VME-2516156	I-U-10	2-1/4 X 5-1/4	80.44
VME-2516187	P-U-10	3-1/2 X 8	166.81
VME-2516228	I-U-10	3-1/2 X 9	191.29
VME-2516230	P-V-10	4-1/2 X 9	242.03
VME-2516242	P-V-10	3-1/2 X 9	218.47
VME-2516270	P-U-10	1-3/4 X 3-1/2	84.17
VME-2516271	P-V-10	2 X 4-1/2	79.17
VME-2516272	I-U-10	1-1/4 X 2-1/2	67.81
VME-2516274	P-V-10	2-1/4 X 5-1/4	80.83
VME-2518493	P-V-10	2-3/4 X 6	136.61
VME-2518494	P-V-10	2-3/4 X 7	203.22
VME-2526058	P-U-10	2-3/4 X 7	142.27
VME-2530107	P-U-10	2 X 4	69.65
VME-2530108	P-U-10	2-1/4 X 5	83.11
VME-2538174	P-U-10	1-3/4 X 3-1/2	59.69
VME-2538177	P-U-10	1-3/4 X 3-1/2	88.10
VME-2538178	P-U-10	2 X 4-1/2	72.87
VME-2538179	P-U-10	2-1/4 X 4-1/2	77.97
VME-2538180	P-U-10	3-1/2 X 9	249.92
VME-2538181	P-U-10	2-1/4 X 5-1/4	97.91
VME-2538182	P-U-10	2-3/4 X 6	120.29
VME-2538183	P-U-10	2-3/4 X 7	126.79
VME-2538184	P-UB-10	2 X 3-1/2	106.67
VME-2538186	P-UB-10	3-1/2 X 8	251.00
VME-2538187	P-U-10	2-3/4 X 5	82.25
VME-2538193	P-U-10	4 X 9	\$266.14

Kit Number	Code (Pg. xiv)	Rod X Bore Size	List Price
VME-2541637	P-U-10	3 X 7	\$156.24
VME-2542568	P-UB-10	2-3/4 X 6	319.90
VME-2542569	P-UB-10	2-3/4 X 5	122.52
VME-2542570	P-UB-10	1-3/4 X 3-1/2	108.13
VME-2542571	P-UB-10	3 X 7	269.60
VME-2542574	P-UB-10	4 X 9	484.51
VME-2542576	P-UB-10	2-1/4 X 4-1/2	113.54
VME-2542577	P-UB-10	2-1/4 X 5	136.19
VME-2551396	P-UB-10	3-1/2 X 9	365.60
VME-2551397	P-UB-10	2-3/4 X 7	222.73
VME-2551398	P-UB-10	2 X 4-1/2	105.47
VME-2551399	P-UB-10	2-1/4 X 5-1/4	152.83
VME-2551403	P-UB-10	2 X 4	100.43
VME-2562115	P-UB-10	2-3/4 X 5	303.11
VME-2562116	P-UB-10	3-1/2 X 7-1/2	315.27
VME-2562117	P-UB-10	4-1/2 X 9	432.14
VME-26408	I-U-5	1-3/8 X 3	63.32
VME-26409	I-U-5	2 X 4	91.33
VME-2906622	P-U-10	32 X 70 mm	110.60
VME-2907070	P-U-10	50 X 85 mm	171.22
VME-2907081	P-U-10	45 X 80 mm	143.73
VME-2907091	P-U-10	55 X 100 mm	210.68
VME-2907389	P-U-10	63 X 125 mm	227.52
VME-2907415	P-U-10	50 X 110 mm	191.39
VME-5960049	P-U-15	35 X 60 mm	38.35
VME-5960050	P-U-15	35 X 63 mm	42.13
VME-5960051	P-U-15	40 X 63 mm	67.77
VME-5960100	P-U-10	45 X 70 mm	107.52
VME-5960101	P-U-10	50 X 80 mm	117.91
VME-5960102	P-U-10	35 X 63 mm	58.18
VME-5960103	P-U-10	40 X 60 mm	79.19
VME-5960104	P-U-10	40 X 70 mm	111.52
VME-5960105	P-U-10	35 X 60 mm	47.69
VME-5960121	P-U-10	45 X 70 mm	81.04
VME-5960122	P-U-10	50 X 90 mm	91.11
VME-5960123	P-U-10	45 X 80 mm	101.21
VME-5960124	P-U-10	50 X 90 mm	86.96
VME-6213407		70,105,120,140 mm Tele.	470.60
VME-6630100		75,90,105,120,140,160 mm Tele.	415.31
VME-6630443	P-U-15	70 X 100 mm	91.10
VME-6630443-7	P-U-15	70 X 100 mm	91.31
VME-6630475	P-U-1	20 mm Rod Kit	61.66
VME-6630498-1	P-U-15	70 X 140 mm	103.24
VME-6630510	P-U-15	80 X 170 mm	292.17
VME-6630511	P-U-15	50 X 110 mm	104.79

VOLVO

REPLACEMENT KITS FOR VOLVO EQUIPMENT

Kit Number	Code (Pg. xiv)	Rod X Bore Size	List Price
VME-6630513	P-U-15	50 X 100 mm	\$102.74
VME-6630560	P-U-15	40 X 80 mm	137.75
VME-6630560-8	P-U-15	40 X 80 mm	137.75
VME-6630562	P-U-15	50 X 100 mm	98.59
VME-6630564	P-U-15	50 X 100 mm	121.28
VME-6630564-0	P-U-15	50 X 100 mm	121.28
VME-6630574	P-U-15	36 X 75 mm	73.08
VME-6630637-4	P-U-15	60 X 110 mm	241.58
VME-6630650	P-U-15	70 X 140 mm	158.89
VME-6630661	P-U-15	32 X 63 mm	130.83
VME-6630662	P-U-15	40 X 80 mm	84.32
VME-6630749	P-U-15	28 X 63 mm	65.41
VME-6630839	60,75,90,105,120,140 mm Tele.		421.11
VME-6630839-6	60,75,90,105,120,140 mm Tele.		421.11
VME-6630843-8	P-U-15	60 X 100 mm	94.17
VME-6630852	75,90,105,120,140,160 mm Tele.		484.71

Kit Number	Code (Pg. xiv)	Rod X Bore Size	List Price
VME-6630852-9	75,90,105,120,140,160 mm Tele.		\$484.71
VME-6630858	P-U-15	50 X 90 mm	83.57
VME-6630886	P-U-15	25 X 40 mm	27.82
VME-6630909	P-U-15	36 X 70 mm	86.09
VME-6630938	P-U-15	70 X 140 mm	173.72
VME-7410836	P-UB-15	30 X 60 mm	23.26
VME-814810131	P-UB-14	100 X 140 mm	260.03
VME-814810151	P-UB-14	90 X 130 mm	310.56
VME-8148-14041	P-UB-14	60 X 105 mm	215.38
VME-8148-14051	P-UB-14	45 X 90 mm	178.82
VME-814816020	P-UB-14	105 X 160 mm	671.20
VME-814816030	P-UB-14	105 X 150 mm	535.31
VME-814816040	P-UB-14	115 X 170 mm	771.32
VME-814816130	P-UB-14	105 X 160 mm	671.20
VME-814816140	P-UB-14	115 X 170 mm	771.32
VME-814816150	P-UB-14	105 X 150 mm	546.03

VOLVO

REPLACEMENT PARTS FOR VOLVO EQUIPMENT

NOTE: Volvo part numbers are used as a reference only. We do not imply that these kits are original REPLACEMENT PARTS.

BACK-UP RINGS

Part Number	Min Pkg Qty	List Price
VME-11005090	1	\$3.99
VME-11005097	1	3.93
VME-11005124	1	7.01
VME-11043006	1	2.49
VME-11088032	1	7.55
VME-11088040	1	4.87
VME-11088180	1	2.05
VME-11088320	1	5.41
VME-11088600	1	1.12
VME-11088601	1	1.08
VME-11088602	1	5.08
VME-11107089	1	5.44
VME-11107203	1	5.63
VME-11107255	1	9.06
VME-11149040	1	0.97
VME-11149375	1	2.30
VME-11704129	1	2.56
VME-11704148	1	1.50
VME-11704165	1	2.65
VME-11704205	1	1.02
VME-14542018	1	38.04
VME-14542021	1	9.65
VME-14542055	1	30.43
VME-14542059	1	10.91
VME-14542080	1	22.27
VME-14542096	1	28.40
VME-14542100	1	10.68
VME-14588972	1	43.09
VME-14597337	1	12.90
VME-14597340	1	6.13
VME-14880826	1	11.19
VME-14880846	1	10.88
VME-14880881	1	45.16
VME-15101592	1	9.74
VME-15104781	1	6.68
VME-4040098	10	1.20
VME-4040145	10	1.12
VME-4040147	10	1.48
VME-4040151	5	1.72
VME-44266	5	2.07

BACK-UP RINGS

Part Number	Min Pkg Qty	List Price
VME-4787062	1	\$1.16
VME-4786742	1	1.85
VME-4786743	1	2.56
VME-4786834	1	1.77
VME-4786962	1	2.65
VME-4880855	1	2.72
VME-4881099	1	1.27
VME-52020	10	1.48
VME-9566-10950	1	11.19
VME-9566-11050	1	12.40
VME-9566-11100	1	12.60
VME-9566-11150	1	12.96
VME-9566-11200	1	13.57
VME-9566-11250	1	14.18
VME-9566-11300	1	14.44
VME-9566-11400	1	15.68
VME-9566-11550	1	33.88
VME-9566-11850	1	41.08
VME-9566-30380	1	3.37
VME-9566-30600	1	7.03
VME-9566-30750	1	9.40
VME-9566-30900	1	10.88
VME-9566-31000	1	11.49
VME-9566-31050	1	12.40
VME-9566-31100	1	12.60
VME-9566-31150	1	12.96
VME-9566-31200	1	13.57
VME-9566-31250	1	14.18
VME-9566-31300	1	14.44
VME-9566-31350	1	15.04
VME-9566-31400	1	15.68
VME-9566-31500	1	16.54
VME-9566-31501	1	32.96
VME-9566-31600	1	34.74
VME-9566-31750	1	39.32
VME-9566-31850	1	41.08
VME-9566-40800	1	12.84
VME-9566-40900	1	13.03
VME-9566-40950	1	13.03
VME-9566-41000	1	13.31

BACK-UP RINGS

Part Number	Min Pkg Qty	List Price
VME-9566-31020	1	\$12.41
VME-9566-41100	1	13.61
VME-9566-41500	1	16.54
VME-9567-20500	1	34.74
VME-9567-20551	1	43.94
VME-9567-20701	1	25.61
VME-9567-20751	1	45.16
VME-9567-20800	1	38.75
VME-9567-20801	1	38.44
VME-9567-20900	1	48.25
VME-9567-20950	1	13.57
VME-9567-21000	1	64.44
VME-9567-21050	1	43.41
VME-9567-21100	1	68.03
VME-9567-21150	1	58.62
VME-9567-21301	1	53.52

BUFFER RINGS

Part Number	Rod Dia.	List Price
VME-11107424	45 mm	\$20.45
VME-1146-08220	45 mm	20.45
VME-11088055	60 mm	34.10
VME-11202568	60 mm	30.27
VME-11088082	70 mm	38.20
VME-11107834	70 mm	36.60
VME-11202569	70 mm	39.30
VME-1146-08170	70 mm	39.30
VME-14502455	75 mm	41.78
VME-11088174	80 mm	43.93
VME-1146-07960	80 mm	44.24
VME-11107371	90 mm	63.45
VME-1146-08100	90 mm	57.30
VME-15124240	90 mm	47.70
VME-1146-07990	95 mm	60.49
VME-1146-08120	100 mm	62.24
VME-1146-08130	105 mm	64.49
VME-11088322	110 mm	59.40
VME-11107372	110 mm	79.00

REPLACEMENT PARTS FOR VOLVO EQUIPMENT

NOTE: Volvo part numbers are used as a reference only. We do not imply that these kits are original REPLACEMENT PARTS.

BUFFER RINGS

Part Number	Rod Dia.	List Price
VME-11107348	50 mm	\$21.47
VME-11107348	70 mm	21.47
VME-15124244	70 mm	46.12
VME-15127223	80 mm	40.12
VME-1146-08140	110 mm	67.14
VME-15124231	110 mm	59.40
VME-1146-08150	115 mm	37.04
VME-11107376	120 mm	79.15
VME-15124233	120 mm	59.51
VME-14542016	125 mm	57.78
VME-14588817	125 mm	118.12
VME-1146-08160	130 mm	113.14
VME-14542078	130 mm	39.86
VME-14588787	130 mm	122.96
VME-14542094	140 mm	59.34
VME-14588780	140 mm	146.23
VME-14542053	150 mm	60.77
VME-14588976	150 mm	157.53

CUSHION SEALS

Part Number	List Price
VME-14542024	\$94.01

LINK PIN SEALS

Part Number	ID	List Price
VME-14881296	40 mm	\$10.96
VME-11005014	70 mm	32.89
VME-11005017	90 mm	35.09
VME-11005099-4	100 mm	41.12
VME-11005019-2	120 mm	43.90

MODULAR BEARINGS

Part Number	ID	List Price
VME-59136	1-3/8	\$11.67
VME-59189	2	13.92

OIL SEALS

Part Number	Desc.	List Price
VME-11704551	25 mm	\$84.40

O-RINGS

Part Number	Min Pkg Qty	List Price
VME-1046-05730	1	\$30.13
VME-11107170	1	5.52
VME-11704124	5	4.92
VME-11704130	2	8.21
VME-11704134	5	2.34
VME-11704143	20	0.91
VME-11704146	5	2.09
VME-11704149	5	2.07
VME-11704161	5	2.45
VME-11704166	2	4.29
VME-11704206	10	1.48
VME-11704556	5	3.11
VME-13960175	20	0.77
VME-13960227	10	1.87
VME-13962503	1	32.02
VME-13962510	1	19.48
VME-13962511	1	43.70
VME-13962512	1	32.93
VME-14542058	1	20.97
VME-14542099	1	16.09
VME-14611291	1	22.29
VME-14611292	1	25.17
VME-14611293	1	26.16
VME-15163649	1	4.50
VME-15163659	1	9.04
VME-4040071	20	0.80
VME-4040097	20	0.45
VME-4040103	20	0.72
VME-4040142	20	0.62
VME-4040257	20	0.67

O-RINGS

Part Number	Min Pkg Qty	List Price
VME-4040259	5	\$2.11
VME-44243	10	1.46
VME-44244	10	1.32
VME-925027	2	5.63
VME-925030	2	4.29
VME-925032	2	8.61
VME-925034	1	14.36
VME-925059	10	1.31
VME-925079	5	2.92
VME-925081	5	3.61
VME-925083	5	3.70
VME-925093	10	1.44
VME-925094	10	1.71
VME-925254	10	1.36
VME-925256	10	1.61
VME-925259	5	2.42
VME-925263	5	2.14
VME-949659	2	4.39
VME-9511-12038	10	1.66
VME-9511-12065	2	5.03
VME-9511-12075	2	5.62
VME-9511-12085	2	5.75
VME-9511-12090	2	6.53
VME-9511-12120	2	8.42
VME-9511-12130	2	8.42
VME-9511-12140	2	8.61
VME-9511-12150	2	10.74
VME-9511-12160	1	21.40
VME-9511-22075	5	8.33
VME-9511-22080	5	2.62
VME-9511-22085	5	2.73
VME-9511-22100	5	3.05
VME-9511-22150	2	9.14
VME-9511-22180	1	15.75
VME-960226	5	2.65
VME-960252	1	15.75
VME-962501	1	15.62
VME-962506	1	27.44
VME-962508	1	17.36
VME-962509	1	21.32
VME-967343	1	7.36
VME-977016	10	1.36
VME-983997	10	0.31
VME-990583	20	0.77
VME-990588	5	2.15

VOLVO

REPLACEMENT PARTS FOR VOLVO EQUIPMENT

NOTE: Volvo part numbers are used as a reference only. We do not imply that these kits are original REPLACEMENT PARTS.

O-RINGS

Part Number	Min Pkg Qty	List Price
VME-990589	5	\$2.14
VME-990592	5	2.62
VME-990595	5	2.80
VME-990596	5	3.05
VME-990633	2	3.99
VME-990637	2	5.42
VME-990639	2	5.75
VME-990640	2	6.53
VME-990643	2	7.86
VME-990644	2	7.94
VME-990646	2	8.27
VME-990647	2	8.42
VME-990649	2	8.42
VME-990650	2	8.53
VME-990651	2	8.61
VME-990652	2	10.74
VME-990653	1	19.36
VME-990654	1	21.40
VME-990656	1	22.29
VME-990657	1	25.17
VME-15163635	1	9.11
VME-15163640	1	4.26
VME-17424743	1	19.22

PISTON SEALS

Part Number	Bore Dia.	List Price
VME-6213080	40 mm	\$23.01
VME-14597343	65 mm	23.91
VME-4833022	70 mm	32.13
VME-14519361	75 mm	31.52
VME-11107801	75 mm	89.72
VME-4833023	80 mm	36.38
VME-11704211	80 mm	36.38
VME-14519360	85 mm	30.96
VME-6120053	90 mm	31.49
VME-11107066	100 mm	42.56
VME-11107804	100 mm	42.56
VME-14510892	100 mm	34.82
VME-14512067	105 mm	39.27

PISTON SEALS

Part Number	Bore Dia.	List Price
VME-11107805	110 mm	\$40.97
VME-14517562	115 mm	45.71
VME-4833448	120 mm	53.55
VME-11107806	120 mm	49.01
VME-11107807	125 mm	50.77
VME-11149365	125 mm	50.77
VME-11704135	125 mm	54.59
VME-14512071	125 mm	50.77
VME-14510828	130 mm	54.01
VME-14880749	137 mm	138.62
VME-9562-11600	137 mm	138.62
VME-9562-11400	140 mm	112.19
VME-11107809	140 mm	63.15
VME-11704172	140 mm	59.92
VME-14510425	140 mm	63.15
VME-14502440	145 mm	96.98
VME-11107810	150 mm	66.32
VME-14510456	150 mm	66.32
VME-15075435	150 mm	51.54
VME-11107811	160 mm	70.83
VME-14508903	160 mm	70.83
VME-14512072	165 mm	143.55
VME-14512073	170 mm	77.17
VME-14883681	175 mm	96.57
VME-11107813	180 mm	90.43
VME-14542026	190 mm	111.94
VME-14588812	190 mm	183.38
VME-11107814	190 mm	114.06
VME-14512074	190 mm	114.06
VME-14542103	200 mm	115.32
VME-14589003	200 mm	171.57
VME-11107815	200 mm	126.03
VME-15104774	210 mm	140.31
VME-14542063	215 mm	117.36
VME-14588971	215 mm	184.44
VME-11107817	220 mm	141.36
VME-11107818	230 mm	161.54
VME-15101298	240 mm	262.60
VME-11107820	250 mm	209.75
VME-11107821	260 mm	278.13

PISTON U-SEALS

Part Number	Bore Dia.	List Price
VME-12165	3	\$18.23
VME-12724821	4	22.42

RETAINER RINGS

Part Number	List Price
VME-13949015	\$2.60
VME-947378	10.12

ROD BUSHINGS

Part Number	Rod Dia.	List Price
VME-11708994	16 mm	\$3.28
VME-14597338	35 mm	30.09
VME-9612-05535	55 mm	25.56
VME-9612-06035	60 mm	27.50
VME-9612-07040	70 mm	33.24
VME-9612-07540	75 mm	36.34
VME-9611-08030	80 mm	37.68
VME-9612-09030	90 mm	44.23
VME-9612-09040	90 mm	46.35
VME-9612-09540	95 mm	56.16
VME-9612-10040	100 mm	49.41
VME-9612-10540	105 mm	55.84
VME-9612-11050	110 mm	54.05
VME-9612-11545	115 mm	74.09
VME-9612-13050	130 mm	62.23

SCREWS

Part Number	List Price
VME-11088650	\$34.23

REPLACEMENT PARTS FOR VOLVO EQUIPMENT

NOTE: Volvo part numbers are used as a reference only. We do not imply that these kits are original REPLACEMENT PARTS.

U-SEALS

Part Number	Rod Dia.	List Price
VME-12724215	1-3/8	\$19.32
VME-12724223	2	25.65
VME-12584905	4	20.20
VME-12584906	6	34.73
VME-6213081	25 mm	9.82
VME-4784044-2	40 mm	18.45
VME-11704203	40 mm	18.45
VME-11005091	45 mm	18.26
VME-9563-20450	45 mm	21.63
VME-4784045	50 mm	15.97
VME-6120050	50 mm	64.32
VME-4941322-2	60 mm	22.44
VME-11202566	60 mm	15.10
VME-11704127	60 mm	25.12
VME-4784047	60 mm	25.12
VME-4833157-3	70 mm	20.28
VME-11107363	70 mm	20.28
VME-11202567	70 mm	20.28
VME-11704163	70 mm	20.28
VME-4784048	70 mm	31.14
VME-11088173	80 mm	23.97
VME-11005107	90 mm	19.12
VME-9563-20900	90 mm	34.13
VME-9563-20950	95 mm	35.71
VME-9563-21000	100 mm	27.29
VME-9563-21050	105 mm	46.95
VME-11088321	110 mm	52.57
VME-11107365	110 mm	52.57
VME-9563-21100	110 mm	50.51
VME-9563-21150	115 mm	54.24
VME-11005106	120 mm	64.01
VME-11107375	120 mm	64.01
VME-14542017	125 mm	60.17
VME-14588815	125 mm	116.14
VME-14542079	130 mm	61.38
VME-14588786	130 mm	187.05
VME-9563-21303	130 mm	74.84
VME-14542095	140 mm	75.40
VME-14588778	140 mm	138.64
VME-14588974	150 mm	192.46
VME-14618209	150 mm	110.12

WEAR RINGS

Part Number	O.D. X Width	List Price
VME-11704218	36 x 20 mm	\$11.57
VME-2906616	37 x 9.9 mm	7.83
VME-4200162	4-1/4 X 1	15.31
VME-11704202	44 X 20 mm	16.84
VME-11088081	45 x 13.9mm	2.09
VME-2907076	49 x 25 mm	9.70
VME-11107549	50 x 27.9mm	3.61
VME-11370064	55 x 14.6mm	12.58
VME-6120051	55 X 14.7 mm	12.58
VME-11088052	55 x 15.9mm	2.33
VME-2276780	55 x 29.4 mm	10.75
VME-11370063	55 x 9.4 mm	9.31
VME-11202574	65 X 15 mm	8.30
VME-11088053	65 x 17.9 mm	3.14
VME-11704125	66 X 29.7 mm	16.71
VME-2907391	68 x 24.7 mm	12.04
VME-2907399	68 x 9.5 mm	12.08
VME-2906621	70 x 10 mm	8.21
VME-17425640	75 X 9.5 mm	7.37
VME-11088054	75 x 17.9 mm	3.67
VME-9565-20750	75 X 20 mm	15.98
VME-9568-00750	75 X 6 mm	70.80
VME-11704162	76 X 39.7 mm	11.21
VME-6120058	80 X 9.7 mm	6.98
VME-2290213	80 x 9.8 mm	6.81
VME-11088150	85 x 17.9mm	4.12
VME-9565-20850	85 X 25 mm	24.47
VME-9568-00850	85 X 6 mm	55.78
VME-2907068	85 x 9.9 mm	16.48
VME-11005427	96 x 25 mm	7.81
VME-11088249	96 x 28.9 mm	23.67
VME-11370065	100 x 14.6 mm	18.35
VME-11202576	100 X 14.7 mm	18.35
VME-9565-11000	100 X 14.8 mm	19.00
VME-11088148	100 x 16.9mm	5.41
VME-14880809	100 X 25 mm	18.35
VME-2907089	100 x 9.3 mm	14.90
VME-9565-11050	105 X 15 mm	20.73

WEAR RINGS

Part Number	O.D. X Width	List Price
VME-9565-21050	105 X 24.5mm	\$27.82
VME-14880896	105 X 6 mm	107.26
VME-11088222	108 x 17.9mm	6.93
VME-11107528	110 x 13.9mm	5.19
VME-9568-01100	110 X 6 mm	44.65
VME-2907421	110 x 9.5 mm	15.61
VME-9565-11150	115 X 15 mm	21.04
VME-9568-01150	115 X 6 mm	45.42
VME-11088324	118 x 29.9mm	31.44
VME-11107298	120 x 13.9mm	5.75
VME-11202577	120 X 14.8mm	20.38
VME-9568-01200	120 X 6 mm	40.53
VME-9565-11250	125 X 14.8mm	26.10
VME-14542019	125 X 14.9mm	48.83
VME-4833220	125 x 16.7 mm	10.55
VME-9568-01250	125 X 6 mm	63.73
VME-2907417	125 x 7.8 mm	15.98
VME-11088496	128 x 29.9 mm	14.75
VME-11088879	128 x 34.7 mm	15.33
VME-9565-11300	130 X 14.8 mm	25.54
VME-14542081	130 X 15 mm	50.32
VME-11088609	130 x 23.9 mm	9.80
VME-11704174	140 X 12.7 mm	21.22
VME-14542097	140 X 20 mm	76.08
VME-9565-11400	140 X 20 mm	32.27
VME-11088220	140 x 24.9 mm	11.13
VME-14502441	145 X 20 mm	28.91
VME-14502442	145 X 6 mm	107.41
VME-14542056	150 X 19.85 mm	113.05
VME-9565-11500	150 X 20 mm	34.48
VME-11107289	150 x 21.88 mm	42.00
VME-11088149	150 x 24.9 mm	17.52
VME-9568-01500	150 X 6 mm	106.03
VME-9565-11600	160 X 20 mm	36.55
VME-11107223	160 x 24.9 mm	12.81
VME-11088109	160 x 29.9 mm	51.28
VME-14508905	160 X 6 mm	124.34
VME-9568-01600	160 X 6 mm	124.34

REPLACEMENT PARTS FOR VOLVO EQUIPMENT

NOTE: Volvo part numbers are used as a reference only. We do not imply that these kits are original REPLACEMENT PARTS.

WEAR RINGS

Part Number	O.D. X Width	List Price
VME-9565-11651	165 X 30 mm	\$47.25
VME-9568-01650	165 X 6 mm	133.45
VME-11107156	170 x 19.9 mm	42.52
VME-9565-11700	170 X 25 mm	46.29
VME-11005323	170 x 29.9 mm	16.34
VME-9568-01705	170 X 6 mm	89.41
VME-14503567	175 X 25 mm	42.69
VME-14503568	175 X 6 mm	137.94
VME-11107217	180 x 24.9 mm	14.39
VME-14588785	182 X 7.9 mm	76.20
VME-14542028	182 X 9.5 mm	83.03
VME-14542027	184 X 14.9 mm	24.96
VME-14588784	184 X 14.9 mm	24.96
VME-14588783	184 X 30 mm	46.37
VME-11107168	190 x 24.9 mm	15.05
VME-9565-11900	190 X 25 mm	50.98
VME-11088014	190 x 29.9 mm	18.27
VME-9568-01900	190 X 8 mm	85.74
VME-14542105	192 X 4 mm	97.93
VME-14587745	192 X 7.9 mm	80.35
VME-14587744	194 X 14.9 mm	21.50
VME-14542104	194 X 19.5 mm	34.13
VME-11107159	200 x 24.9 mm	63.20
VME-14588970	207 X 9.4 mm	99.98
VME-14542065	207 X 9.7 mm	106.05
VME-14542064	209 X 19.5 mm	38.01
VME-14588821	209 X 25 mm	45.86
VME-14549706	209 X 3 mm	33.49
VME-15104548	210 X 24 mm	36.85
VME-11107254	220 x 23.95 mm	53.19
VME-15087850	220 X 33.9 mm	38.26

WEAR RINGS

Part Number	O.D. X Width	List Price
VME-11107264	230 x 24.9 mm	\$21.80
VME-11088793	230 x 27.8 mm	116.56
VME-11088323	230 x 39.95 mm	64.83
VME-15100633	240 X 34 mm	40.43
VME-11107227	250 x 33.9 mm	30.46
VME-11005324	250 x 49.9 mm	47.41
VME-11107332	260 x 33.9 mm	31.72
VME-11088013	260 x 49.9 mm	49.32
VME-11107041	260 x 64.9 mm	63.47

WIPERS

Part Number	Rod Diam.	List Price
VME-12724216	1-3/8	\$5.12
VME-12724224	2	6.62
VME-2516953	2-1/4	18.82
VME-2520124	3-1/2	32.76
VME-2541768	4-1/2	61.75
VME-2541770	5	66.84
VME-4782831	25 mm	2.87
VME-14597334	35 mm	20.03
VME-11005051-5	40 mm	25.66
VME-11704197	40 mm	25.66
VME-11005052	45 mm	26.28
VME-17457872	50 mm	31.37
VME-9567-20550	55 mm	32.04
VME-11005055	60 mm	29.18
VME-11202570	60 mm	11.56
VME-11704123	60 mm	29.18

WIPERS

Part Number	Rod Diam.	List Price
VME-11005057	70 mm	\$30.30
VME-11202571	70 mm	16.46
VME-11704159	70 mm	30.30
VME-9564-20700	70 mm	39.51
VME-9564-20750	75 mm	42.47
VME-11005059-8	80 mm	31.18
VME-11005015	80 mm	35.96
VME-11005059	80 mm	31.18
VME-11005061	90 mm	33.67
VME-9564-20900	90 mm	61.48
VME-9564-20950	95 mm	31.94
VME-9564-21000	100 mm	64.55
VME-9564-21050	105 mm	62.36
VME-11107246	110 mm	65.12
VME-9564-21100	110 mm	66.11
VME-9564-21150	115 mm	28.78
VME-11005067	120 mm	69.96
VME-11107224	120 mm	84.40
VME-14585340	125 mm	37.69
VME-14588814	125 mm	37.69
VME-14542082	130 mm	79.17
VME-9564-21300	130 mm	79.17
VME-14542098	140 mm	81.12
VME-14588458	140 mm	81.12
VME-14585341	150 mm	85.06
VME-14588973	150 mm	85.06

WABCO TRUCKS

Repair parts for Wabco Trucks are available online at www.HerculesUS.com or by contacting the Hercules Sales Team at the information provided below.

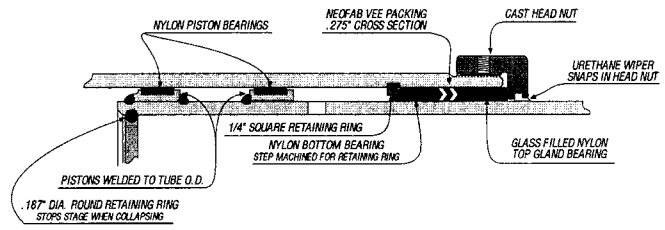
WALTCO LIFT GATE

Repair parts for Waltco Lift Gate are available online at www.HerculesUS.com or by contacting the Hercules Sales Team at the information provided below.

WARD TELESCOPIC CYLINDER PARTS

PACKING: Vee packing with top and bottom adapters. All .275 c.s.
 WIPERS: Urethane snap-in type.
 BEARINGS: Originally nylon, reinforced with metal. Outer bearing is flat on both sides. Inner bearing is step-cut on o.d. to pilot over snap ring.
 PISTON: Steel, welded to stage. Double action has 3 replaceable nylon wear rings and 2 cast iron piston rings in separate grooves. Single action has 2 replaceable nylon wear rings.
 STAGE O.D.'s: 3.950", 4.950", 5.950", 6.950", 7.950", 8.950"
 SPECIAL INFO. 1/4" spring steel snap ring serves as internal stop. Gland collars are cast steel, have square reliefs in casting and "ears" on bottom of gland collar for set screw.

WARD CO



WARD - WHITEMAN

Part Number	Description	List Price
PACKING & WIPER		
WD-3VSW	2.950" I.D. Vee Set & Wiper	\$29.30
WD-4VSW	3.950" I.D. Vee Set & Wiper	35.66
WD-5VSW	4.950" I.D. Vee Set & Wiper	45.24
WD-6VSW	5.950" I.D. Vee Set & Wiper	57.20
WD-7VSW	6.950" I.D. Vee Set & Wiper	69.65
WD-8VSW	7.950" I.D. Vee Set & Wiper	83.74
WD-9VSW	8.950" I.D. Vee Set & Wiper	112.14
TOP BEARINGS		
WD-4NGTB	3.950" I.D. Top Bearing	\$69.82
WD-5NGTB	4.950" I.D. Top Bearing	79.03
WD-6NGTB	5.950" I.D. Top Bearing	82.68
WD-7NGTB	6.950" I.D. Top Bearing	114.30
WD-8NGTB	7.950" I.D. Top Bearing	143.08
WD-9NGTB	8.950" I.D. Top Bearing	145.03
BOTTOM BEARINGS		
WD-4NGBB	3.950" I.D. Bottom Bearing	\$69.82
WD-5NGBB	4.950" I.D. Bottom Bearing	79.03
WD-6NGBB	5.950" I.D. Bottom Bearing	113.45
WD-7NGBB	6.950" I.D. Bottom Bearing	114.30
WD-8NGBB	7.950" I.D. Bottom Bearing	143.08
PISTON WEAR RINGS		
WD310-737-40	4-1/2" O.D. Piston Wear Rings	\$5.64
WD310-737-50	5-1/2" O.D. Piston Wear Rings	5.64
WD310-764-60	6-1/2" O.D. Piston Wear Rings	7.39
WD310-764-70	7-1/2" O.D. Piston Wear Rings	12.02
WD310-764-80	8-1/2" O.D. Piston Wear Rings	12.70
WD310-764-90	9-1/2" O.D. Piston Wear Rings	15.10
PISTON RINGS - DOUBLE ACTION ONLY		
WD505-066-17	4-1/2" O.D. Piston Ring	\$14.09
WD505-066-24	5-1/2" O.D. Piston Ring	19.63
WD505-066-28	6-1/2" O.D. Piston Ring	22.70

Part Number	Description	List Price
WD505-066-35	7-1/2" O.D. Piston Ring	\$48.50
WD505-066-38	8-1/2" O.D. Piston Ring	54.07
WD505-066-40	9-1/2" O.D. Piston Ring	167.27
KITS		
WD-48	4" - 8" Vee Sets & Wipers	\$313.34
WD-49	4" - 9" Vee Sets & Wipers	433.87
WD-BNB48	4" - 8" Bottom Bearings	540.06
WD-PR48	4-1/2" - 8-1/2" Piston Rings	340.39
WD-PR49	4-1/2" - 9-1/2" Piston Rings	522.05
WD-TNB48	4" - 8" Top Bearings	507.94
WD-TNB49	4" - 9" Top Bearings	658.83
WD-WR48	4-1/2" - 8-1/2" Piston Wear Rings	138.66
WD-WR49	4-1/2" - 9-1/2" Piston Wear Rings	185.67

WHITE LIFT TRUCK

Kit Number	Code (Pg. xiv)	Rod X Bore Size	List Price
WLT-20-7300283	I-U-4	1-3/4 X 4	\$78.63
WLT-20-7302715	I-U-10	1-1/2 X 3-1/2	43.83
WLT-30-3305457	P-U-10	1-1/2 X 3-1/2	43.76

WHITEMAN / CONSPRAY

Repair parts for Whiteman / Conspray are available online at www.HerculesUS.com or by contacting the Hercules Sales Team at the information provided below.

YALE LIFT TRUCKS

Kit Number	Code (Pg. xiv)	Rod X Bore Size	List Price
YA-066414600	4-1/16 Rod Wiper		\$20.09
YA-5001689-04	4-1/16 ID Vee Set		53.22
YA-502566003	I-N-8	2-1/2 X 3-1/2	154.91
YA-502566004	I-N-8	2 X 3-1/2	148.01
YA-503130000	P-V-4	2 X 3-1/4	75.10
YA-504236229	P-U-10	2-1/8 X 2-3/4	89.67
YA-504236245	P-U-10	1-3/8 X 3	48.46
YA-504853000	I-U-5	1-1/4 X 3	110.31
YA-504857000	I-N-8	2-1/4 X 4	65.79
YA-5048620	I-N-8	1-3/4 X 2-1/2	31.40
YA-505136003	I-N-8	2-1/2 X 3-1/2	63.55
YA-505136004	I-N-8	2 X 3-1/2	53.12
YA-505136007	I-U-1	1-5/8 X 2-1/4	25.06
YA-505136008	I-U-1	1-5/16 X 2-1/4	24.54
YA-505136009	I-U-1	3-1/4" Rod	37.40
YA-505136010	I-U-1	1-7/8 X 2-1/2	23.58
YA-505136012	I-U-11	1-7/8 X 2-1/4	73.80
YA-505136013	I-U-1	2-5/8 Rod Kit	26.90
YA-505136014	I-U-1	3-3/4 Rod Kit	35.31
YA-505136015	I-U-10	2-5/8 X 3	112.34
YA-505136027	I-U-1	1-5/8 X 2	30.72
YA-505136028	i-u-4	1-3/8 x 2	100.77
YA-505136031	I-U-1	3 X 3-3/4	38.46
YA-505136035	I-U-4	1-3/8 X 2	62.89
YA-505136036	I-U-4	1-5/8 X 2	52.98
YA-505136037	I-U-12	1-3/8 X 2	65.27
YA-505136040	I-U-4	1-5/8 X 1-7/8	58.87
YA-505136059	I-U-1	1-1/4 X 1-3/4	30.67
YA-505142000	I-V-1	3-3/8, 4-1/16 Stages	124.84
YA-505143000	I-V-1	2-1/2, 3 Stages	89.21
YA-505163001	Rod Kit		19.66

Kit Number	Code (Pg. xiv)	Rod X Bore Size	List Price
YA-506785001	I-N-8	2-1/4 X 4	\$227.34
YA-506787001	I-N-8	2-3/4 X 4-1/2	242.04
YA-506788001	I-N-8	2-3/4 X 4-1/2	105.59
YA-507016002	I-V-5	1-1/2 x 4	87.88
YA-509753000	I-V-12	1 X 2	41.36
YA-510078000	I-U-5	1 X 2-1/2	54.73
YA-510398000	I-V-1	2-1/4, 3, 3-3/4 Stages	188.49
YA-510659001	I-V-2	1-1/4 X 3-1/2	49.50
YA-512944003	I-U-10	1 X 2	26.72
YA-513355800	O-ring Kit		5.24
YA-514527000	I-V-1	3, 3-3/4 Stages	116.72
YA-515229000	I-U-4	2-1/4 X 3-3/4	57.08
YA-516149002	I-U-11	1 X 2	36.03
YA-516149005	I-U-11	1 X 2	28.78
YA-516149006	I-U-11	1-1/8 X 2-1/2	35.55
YA-5178128-17	Shaft Kit		2.41
YA-518617001	I-V-10	1-1/4 X 2-1/2	89.09
YA-519132600	I-U-5	1-3/4 X 3-1/2	62.44
YA-519675801	O-RING KIT		9.48
YA-580026957	P-U-10	2-1/8 X 2-3/4	43.38
YA-580060036	P-U-10	2-1/8 X 2-3/4	66.45
YA-900299851	65 mm, 80 mm	2 Stage	65.63
YA-900847850	P-U-10	25 X 60 mm	59.17
YA-900879850	I-U-3	35 X 80 mm	24.55
YA-901115850	P-U-1	32 mm Rod Kit	55.75
YA-9012238-07	P-U-10	40 X 70 mm	91.04
YA-9017888-10	P-U-10	35 X 70 mm	71.63
YA-9019058-52	P-U-10	35 X 65 mm	109.96
YA-9022018-50	Shaft Kit		16.13

REPLACEMENT PARTS FOR YALE EQUIPMENT

NOTE: Yale part numbers are used as a reference only. We do not imply that these kits are original REPLACEMENT PARTS.

VEE SETS

Part Number	ID	List Price
YA-5001689-19	2-1/4	\$40.34

O-RINGS

Part Number	Min Pkg Qty	List Price
YA-912452100	100	\$0.13

Replacement Kits For

YANMAR

Excavators - Compact

APPLICATION	CODE	ROD	BORE	KIT #	List \$
MODEL B19					
ARM	P-U-10	35 mm	65 mm	YAN-172179-72400	52.25
BLADE	P-U-10	40 mm	70 mm	YAN-172179-72630	23.55
BOOM	P-U-10	35 mm	65 mm	YAN-172179-72171	78.16
BUCKET	P-U-10	30 mm	55 mm	YAN-172179-72570	26.44
SWING	P-U-10	35 mm	65 mm	YAN-172179-72171	78.16
MODEL VIO35					
ARM	P-U-1	50 mm		YAN-172459-72010	64.59
	N-N-14		85 mm	YAN-172459-72021	30.63
	P-U-14	50 mm	85 mm	YAN-172484-72210	95.13
BLADE	P-U-14	40 mm	80 mm	YAN-172484-72760	60.89
	P-U-1	40 mm		YAN-172458-72050	39.40
BOOM	N-N-14		85 mm	YAN-172444-72951	221.50
	P-U-1	45 mm		YAN-172458-72061	81.14
	P-U-14	45 mm	85 mm	YAN-172484-72390	298.53
BUCKET	N-N-14		65 mm	YAN-172148-72940	59.85
	P-U-1	40 mm		YAN-172458-72030	38.86
	P-U-14	40 mm	65 mm	YAN-172484-72690	98.73
SWING	N-N-14		90 mm	YAN-172460-72050	25.30
	P-U-14	40 mm	90 mm	YAN-172484-72880	64.06
	P-U-1	40 mm		YAN-172459-72030	38.97
MODEL VIO35-2					
ARM	P-U-1	50 mm		YAN-172459-72010	64.59
	N-N-14		85 mm	YAN-172459-72021	30.63
	P-U-14	50 mm	85 mm	YAN-172484-72210	95.13
BLADE	P-U-14	40 mm	80 mm	YAN-172484-72760	60.89
	P-U-1	40 mm		YAN-172458-72050	39.40
BOOM	N-N-14		85 mm	YAN-172444-72951	221.50
	P-U-14	45 mm	85 mm	YAN-172484-72390	298.53
	P-U-1	45 mm		YAN-172458-72061	81.14
BUCKET	P-U-14	40 mm	65 mm	YAN-172484-72690	98.73
	P-U-1	40 mm		YAN-172458-72030	38.86
	N-N-14		65 mm	YAN-172148-72940	59.85
SWING	P-U-14	40 mm	90 mm	YAN-172484-72880	64.06
	N-N-14		90 mm	YAN-172460-72050	25.30
	P-U-1	40 mm		YAN-172459-72030	38.97

YANMAR

Kit Number	Code (Pg. xxii)	Rod X Bore Size	List Price
YAN-172147-99340	P-U-14	55 X 95 mm	\$189.04
YAN-172148-72940	N-N-14	65 mm	59.85
YAN-172179-72171	P-U-10	35 mm X 65 mm	78.16
YAN-172179-72400	P-U-10	35 mm X 65 mm	52.25
YAN-172179-72570	P-U-10	30 mm X 55 mm	26.44
YAN-172179-72630	P-U-10	40 mm X 70 mm	23.55
YAN-172425-72500	P-U-1	55 mm Rod Kit	47.33
YAN-172425-72600	N-N-14	90 mm Piston Kit	49.09
YAN-172444-72951	N-N-14	85 mm	221.50
YAN-172458-72030	P-U-1	40 mm	38.86
YAN-172458-72050	P-U-1	40 mm	39.40
YAN-172458-72061	P-U-1	45 mm	81.14

Kit Number	Code (Pg. xxii)	Rod X Bore Size	List Price
YAN-172459-72010	P-U-1	50 mm	\$64.59
YAN-172459-72021	N-N-14	85 mm	30.63
YAN-172459-72030	P-U-1	40 mm	38.97
YAN-172460-72050	N-N-14	90 mm	25.30
YAN-172484-72210	P-U-14	50 mm X 85 mm	95.13
YAN-172484-72390	P-U-14	45 mm X 85 mm	298.53
YAN-172484-72690	P-U-14	40 mm X 65 mm	98.73
YAN-172484-72760	P-U-14	40 mm X 80 mm	60.89
YAN-172484-72880	P-U-14	40 mm X 90 mm	64.06
YAN-933138-70699	P-U-5	40 X 88 mm	174.98
YAN-933711-33599	P-U-5	50 X 80 mm	87.05
YAN-933711-34799	P-U-5	40 X 75 mm	198.56

YUTANI

Replacement Kits For

Excavators						
APPLICATION	CYL #	CODE	ROD	BORE	KIT #	List \$
MODEL MD-120LC						
ARM	2438U983F1	P-UB-1	80 mm		YUT-2438U928R100	263.61
BOOM L	2438U923F1	P-UB-1	70 mm		YUT-2438U922R100	180.72
BOOM R	2438U922F1	P-UB-1	70 mm		YUT-2438U922R100	180.72
BUCKET	2438U897F1	P-UB-1	65 mm		YUT-2438U897R100	152.03
	2438U897F1	N-N-10		100 mm	YUT-2438U897R110	170.68
MODEL MD-140BLC						
ARM	2438U973F1	N-N-10		120 mm	YUT-2438U973R200	396.01
	2438U973F1	P-UB-1	80 mm		YUT-2438U973R100	297.57
BOOM L	2438U972F2	P-UB-1	70 mm		YUT-2438U971R100	186.56
	2438U972F2	N-N-10		105 mm	YUT-2438U971R200	281.85
BOOM R	2438U971F2	P-UB-1	70 mm		YUT-2438U971R100	186.56
	2438U971F2	N-N-10		105 mm	YUT-2438U971R200	281.85
BUCKET	2438U974F1	N-N-10		100 mm	YUT-2438U974R200	288.69
	2438U974F1	P-UB-1	65 mm	100 mm	YUT-2438U974R100	149.62
MODEL MD-180LC						
ARM	2438U921F1	P-UB-1	95 mm		YUT-2438U921R100	188.67
	2438U921F1	N-N-10		145 mm	YUT-2438U921R110	362.55
	2438U921F2	N-N-10		145 mm	YUT-2438U921R110	362.55
	2438U921F2	P-UB-1	95 mm		YUT-2438U921R100	188.67
BOOM	2438U982F1	P-UB-1	95 mm		YUT-2438U921R100	188.67
	2438U914D1F1	P-UB-1	85 mm		YUT-2438U914R100	201.82
BOOM L	2438U914D2F1	P-UB-1	85 mm		YUT-2438U914R100	201.82
	2438U981F1	P-UB-1	85 mm		YUT-2438U914R100	201.82
BOOM R	2438U980F1	P-UB-1	85 mm		YUT-2438U914R100	201.82
BUCKET	2438U915F1	P-UB-1	75 mm		YUT-2438U915R100	152.51
	2438U915F1	N-N-10		120 mm	YUT-2438U915R110	289.05
MODEL MD-200BLC						
ARM	2438U941F1	P-UB-1	100 mm		YUT-2438U941R100	458.16
	2438U941F1	N-N-14		145 mm	YUT-2438U941R200	497.93
BOOM L	2438U996F1	N-N-14		125 mm	YUT-2438U996R200	453.26
	2438U996F1	P-UB-1	85 mm		YUT-2438U996R100	231.65
BOOM R	2438U997F1	P-UB-1	85 mm		YUT-2438U996R100	231.65
	2438U997F1	N-N-14		125 mm	YUT-2438U996R200	453.26
BUCKET	2438U995F1	N-N-14		120 mm	YUT-2438U995R200	420.90
	2438U995F1	P-UB-1	80 mm		YUT-2438U995R100	228.10
MODEL MD-240BLC						
ARM	2438U953F1	P-UB-1	105 mm		YUT-2438U953R100	451.98
	2438U953F1	N-N-10		150 mm	YUT-2438U953R200	415.13
BOOM L	2438U1000F1	N-N-10		140 mm	YUT-2438U999R200	428.45
	2438U1000F1	P-UB-1	90 mm		YUT-2438U999R100	222.43
BOOM R	2438U999F1	P-UB-1	90 mm		YUT-2438U999R100	222.43
	2438U999F1	N-N-10		140 mm	YUT-2438U999R200	428.45
BUCKET	2438U959F1	P-UB-1	85 mm		YUT-2438U959R100	239.30
	2438U959F1	N-N-10		130 mm	YUT-2438U959R200	319.44
MODEL MD-300LC						
ARM	2438U1323F1	N-N-10		160 mm	YUT-2438U1323R110	569.86
	2438U1323F1	P-UB-1	110 mm		YUT-2438U1323R100	335.11
BOOM	2438U776F1	P-UB-1	95 mm		YUT-2438U776R100	274.71
	2438U776F1	N-N-10		150 mm	YUT-2438U776R110	444.51
BUCKET	2438U1324F1	N-N-10		150 mm	YUT-2438U1324R110	336.90
	2438U1324F1	P-UB-1	100 mm		YUT-2438U1324R100	378.88
MODEL MD-450BLC						
ARM	2438U1029F1	N-N-14		180 mm	YUT-2438U1029R200	454.74
	2438U1029F1	P-UB-1	130 mm		YUT-2438U1029R100	412.03
BOOM	2438U1028D1F1	P-UB-1	110 mm		YUT-2438U1028R100	255.40

YUTANI

Replacement Kits For

YUTANI

Excavators						
APPLICATION	CYL #	CODE	ROD	BORE	KIT #	List \$
MODEL MD-450BLC						
BOOM	2438U1028D1F1	N-N-14		170 mm	YUT-2438U1028R200	632.88
	2438U1028D2F1	N-N-14		170 mm	YUT-2438U1028R200	632.88
	2438U1028D2F1	P-UB-1	110 mm		YUT-2438U1028R100	255.40
BUCKET	2438U1030F1	N-N-14		170 mm	YUT-2438U1030R200	632.88
	2438U1030F1	P-UB-1	120 mm		YUT-2438U1030R100	318.46

REPLACEMENT KITS FOR YUTANI EQUIPMENT

Kit Number	Description	List Price
YUT-2438U1028R100	110 mm Rod Kit	\$255.40
YUT-2438U1028R200	170 mm Piston Kit	632.88
YUT-2438U1029R100	130 mm Rod Kit	412.03
YUT-2438U1029R200	180 mm Piston Kit	454.74
YUT-2438U1030R100	120 mm Rod Kit	318.46
YUT-2438U1030R200	170 mm Piston Kit	632.88
YUT-2438U1323R100	110 mm Rod Kit	335.11
YUT-2438U1323R110	160 mm Piston Kit	569.86
YUT-2438U1324R100	100 mm Rod Kit	378.88
YUT-2438U1324R110	150 mm Piston Kit	336.90
YUT-2438U776R100	95 mm Rod Kit	274.71
YUT-2438U776R110	150 mm Piston Kit	444.51
YUT-2438U897R100	65 mm Rod Kit	152.03
YUT-2438U897R110	100 mm Piston Kit	170.68
YUT-2438U914R100	85 mm Rod Kit	201.82
YUT-2438U915R100	75 mm Rod Kit	152.51
YUT-2438U915R110	120 mm Piston Kit	289.05
YUT-2438U921R100	95 mm Rod Kit	188.67
YUT-2438U921R110	145 mm Piston Kit	362.55
YUT-2438U922R100	70 mm Rod Kit	180.72

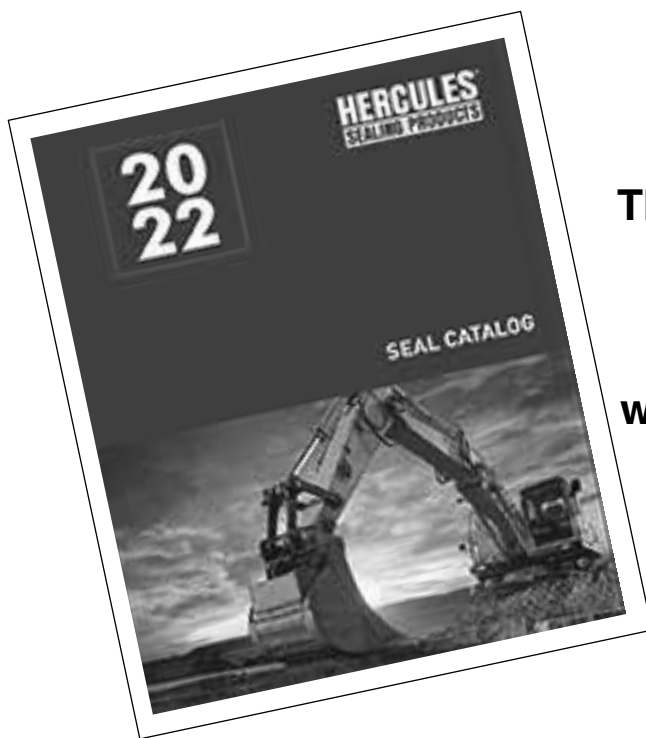
Kit Number	Description	List Price
YUT-2438U928R100	80 mm Rod Kit	\$263.61
YUT-2438U941R100	100 mm Rod Kit	458.16
YUT-2438U941R200	145 mm Piston Kit	497.93
YUT-2438U953R100	105 mm Rod Kit	451.98
YUT-2438U953R200	150 mm Piston Kit	415.13
YUT-2438U959R100	85 mm Rod Kit	239.30
YUT-2438U959R200	130 mm Piston Kit	319.44
YUT-2438U971R100	70 mm Rod Kit	186.56
YUT-2438U971R200	105 mm Piston Kit	281.85
YUT-2438U973R100	80 mm Rod Kit	297.57
YUT-2438U973R200	120 mm Piston Kit	396.01
YUT-2438U974R100	65 mm Rod Kit	149.62
YUT-2438U974R200	100 mm Piston Kit	288.69
YUT-2438U985R200	180 mm Piston Kit	495.58
YUT-2438U995R100	80 mm Rod Kit	228.10
YUT-2438U995R200	120 mm Piston Kit	420.90
YUT-2438U996R100	85 mm Rod Kit	231.65
YUT-2438U996R200	125 mm Piston Kit	453.26
YUT-2438U999R100	90 mm Rod Kit	222.43
YUT-2438U999R200	140 mm Piston Kit	428.45

YUTANI

Pump, Motor and Valve Repair Kits

Contents	Page
Bosch Rexroth Pump Kits	1147 - 1148
Danfoss Pump Repair Kits	1149 - 1150
Parker/Commercial Intertech Pump Repair Kits	1151 - 1168
Parker/Gresen Pump Repair Kits	1169 - 1174
Vickers Pump Repair Kits	1175 - 1180
Char-Lynn and White Motors Repair Kits	1181 - 1191
Parker/Commercial Intertech and Parker Gresen Valve Repair Kits	1193 - 1194

PUMP, MOTOR AND VALVE



**The 2022 Seal Catalog
Now Available!**

**Order Online -
www.HerculesUS.com**

Bosch Rexroth Pump Repair Kits

Contents

Page

Bosch Rexroth Pump Kits

1148

BOSCH REXROTH PUMP KITS



A10 NBR SERVICE KITS FOR SERIES 30 & 31

Kit Number	PUMP TECHNICAL DATA				Kit List Price
	Model Number	Size	Displacement in. ³ / (cm ³)	Flow Rate (GPM)	
BRR-R910937565	A10V(S)0	18	1.1 / (18)	15.7	\$63.54
BRR-R910915845	A10V(S)0	28	1.71 / (28)	22	71.15
BRR-R910915885	A10V(S)0	45	2.75 / (45)	31	76.48
BRR-R910915846	A10V(S)0	71	4.33 / (71)	41	91.42
BRR-R910915847	A10V(S)0	100	6.1 / (100)	53	83.49
BRR-R910941169	A10V(S)0	140	8.54 / (140)	67	117.72

Danfoss Pump Repair Kits

Contents

Page

Danfoss Pump Kits

1150

DANFOSS PUMP KITS



Kit Number	Description	Kit List Price
DFS-4510017	M46 OVERHAUL GASKET/SEAL KIT	\$165.84

Parker/Commercial Intertech Pump Repair Kits

Contents	Page
Identifying Pumps & Motors	1152
Pump/Motor Seal Kits	1153 - 1155
Repair Parts	1156
Parts Breakdown	
• C101/102 Parts Breakdown	1157
• G101/102 Parts Breakdown	1158
• P20 Parts Breakdown	1159
• P30 Parts Breakdown	1160
• P31 Parts Breakdown	1161
• P50 Parts Breakdown	1162
• P51 Parts Breakdown	1163
• P75 Parts Breakdown	1164
• P76 Parts Breakdown	1165
• P330 Parts Breakdown	1166
• P350 Parts Breakdown	1167
• P365 Parts Breakdown	1168

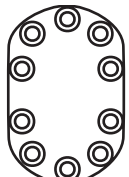
IDENTIFYING PUMPS & MOTORS



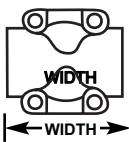
By the Shape and Size of the Port End Cover

1. Look at the Unit from the Port End, see which example it matches the closest. Include the Shape, Size, and most importantly the Bolt Pattern.
2. Measure the overall width of the Unit, then match the width to the chart beside the Port End you chose in step #1.
3. If there is not a "See Also" block on the chart you used, then you've identified the Unit. Otherwise move to step #4.
4. A Numbered Note marker will direct you to the next step or steps.

PORT END VIEW



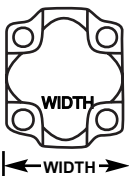
Series	"D"
Width	4.50



Series	315	330	350	365
Side Ported Width	4.25	6.68	7.12	7.38
Unported Width	4.00	4.81	5.75	6.25



Series	37X	75/76	125
Width	5.12	6.13	7.00
See Also		②	



Series	15H	25X	20	30/31	50/51
Width	4.38	4.94	4.50	4.81	4.94
See Also		①		②	①②

1 - SHAFT END VIEW

Look at the Unit from the Shaft End, compare it to the views below. Select the Shaft type on your Unit.

SERIES 31/51



25X/37X



2 - DISASSEMBLE UNIT

This step requires the Port End Cover of the Unit to be removed & inspected for Dowel Pins. This is the only way to tell the difference between some Series.

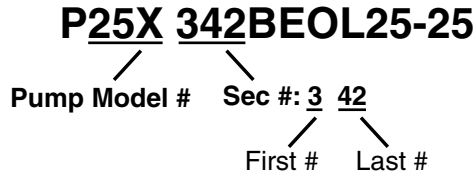
Series 31/51/76: Assembled with Dowel Pins.

**Call Our Component Sales Team
If You Need More Assistance**

PUMP / MOTOR SEAL KITS



Identify kits by using model and shaft end cover numbers. Example:



P20 SERIES

Kit Part #	Application	SEC First #	SEC Last #	Price
Pumps CM-P20SPSK		1, 2, 3, 4, 5, 6	05, 27, 42, 91, 92, 94, 96, 97	\$20.21
Motors CM-M20SPSK		8, 9, 19	05, 10, 42, 94, 97	27.94
Multiple Section Pumps & Motors CM-MP20MSSK Note: Use 1 Kit per section in a multi-section Pump or Motor				3.96

25X SERIES

Kit Part #	Application	SEC First #	SEC Last #	Price
Pumps CM-P25SBSKT1	Type I, Single Bearing	1, 2, 3	00, 01, 02, 03, 06, 40, 41, 42, 78, 79, 97, 98	\$24.29
CM-P25SBSKT2	Type II, Single Bearing	1, 2, 3	04, 05, 07	24.19
CM-P25DBSK	Type II, Double Bearing	6, 8	00, 42, 78, 97, 98	30.97
Motors CM-M25SBSKT1	Type I, Single Bearing	7, 9	00, 01, 02, 03, 06, 40, 41, 42, 78, 79, 95, 97, 98	35.21
CM-M25SBSKT3	Type II, Single Bearing	7, 9	04, 05, 07	39.15
CM-M25DBSK	Type II, Double Bearing	8	00, 42, 47, 78, 97, 98	33.39
Multiple Section Pumps & Motors CM-MP25MSSK Note: Use 1 Kit per section in a multi-section Pump or Motor				4.04

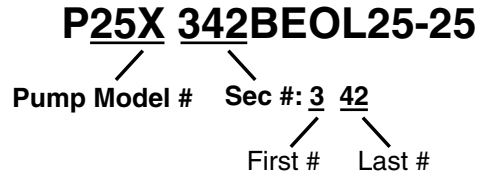
30 SERIES

Kit Part #	Application	SEC First #	SEC Last #	Price
Pumps CM-P30SPSK		1 - 6	05 - 97	\$16.50
Motors CM-M30SPSK	Type I, Single Bearing	8 - 9	05 - 94	43.66
Multiple Section Pumps & Motors CM-MP30MSSK Note: Use 1 Kit per section in a multi-section Pump or Motor				4.26

PUMP / MOTOR SEAL KITS



Identify kits by using model and shaft end cover numbers. Example:



37X SERIES

Kit Part #	Application	SEC First #	SEC Last #	Price
Pumps				
CM-P37SBSK	Type I, Single Bearing	1, 2, 3	11, 12, 23, 42, 63, 77, 78, 81, 97	\$26.68
Motors				
CM-M37SBSK	Type I, Single Bearing	7, 9	11, 12, 23, 42, 63, 78, 81, 97, 98	32.74
CM-M37DBSK	Type II, Double Bearing	8	11, 42, 78	32.74
Multiple Section Pumps & Motors				
CM-MP30MSSK	Note: Use 1 Kit per section in a multi-section Pump or Motor			4.26

50 SERIES

Kit Part #	Application	SEC First #	SEC Last #	Price
Pumps				
CM-P50SPSK		1 - 6	00 - 98	\$27.56
Motors				
CM-M50SPSK		8 - 9	00 - 98	37.88
Multiple Section Pumps & Motors				
CM-MP50MSSK	Note: Use 1 Kit per section in a multi-section Pump or Motor			4.70

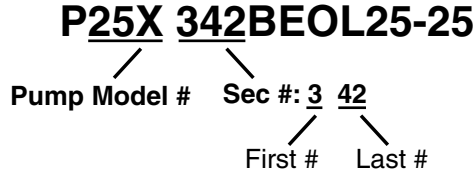
75 SERIES

Kit Part #	Application	SEC First #	SEC Last #	Price
Pumps				
CM-P75SPSK		1 - 6	42 - 98	\$65.81
Motors				
CM-M75SPSK		8 - 9	42 - 98	78.51
Multiple Section Pumps & Motors				
CM-MP75MSSK	Note: Use 1 Kit per section in a multi-section Pump or Motor			4.45

PUMP / MOTOR SEAL KITS



Identify kits by using model and shaft end cover numbers. Example:



330 SERIES

Kit Part #	Application	SEC First #	SEC Last #	Price
Pumps CM-P330SPSK		All Pumps		\$54.42
Motors CM-M330SPSK		All Motors		131.78
Multiple Section Pumps CM-P330MSSK Note: Use 1 Kit per section in a multi-section Pump or Motor				65.42

350 SERIES

Kit Part #	Application	SEC First #	SEC Last #	Price
Pumps CM-P350SPSK		All Pumps		\$54.42
Motors CM-M350SPSK		All Motors		131.78
Multiple Section Pumps CM-P350MSSK Note: Use 1 Kit per section in a multi-section Pump or Motor				40.54

365 SERIES

Kit Part #	Application	SEC First #	SEC Last #	Price
Pumps CM-P365SPSK		All Pumps		\$65.10
Motors CM-M365SPSK		All Motors		244.30
Multiple Section Pumps CM-P365MSSK Note: Use 1 Kit per section in a multi-section Pump or Motor				46.18

REPAIR PARTS



Standard Series Pump Parts

Description	Engineering #	Part #	Price
P20/30/31 SERIES			
Snap Ring	X134-206	CM-391-2686-063	\$3.74
Outboard Bearing	X69-40	CM-391-0381-040	41.97
Seal (pump)	X73-37-16	CM-391-2883-058	3.62
Check Assemblies	M1391K	CM-391-3681-001	5.46
Plug	T1391	CM-391-2286-004	21.11
Spacer	VB1669-2	CM-391-3383-069	49.42
Seal Retainer	AE1669	CM-391-3381-040	20.81
Hi Pressure Seal	X73-50-9	CM-391-2883-119	25.61
Ring Seals	LB1669-1	CM-391-2585-006	13.40
Roller Bearings	Y1032	CM-391-0381-906	28.82
Thrust Plates	AA1058	CM-391-2185-913	63.70
P50/51 SERIES			
Snap Ring	X134-283	CM-391-2686-063	\$3.74
Outboard Bearing	X69-58	CM-391-0381-040	41.97
Seal (pump)	X73-37-17	CM-391-2883-058	3.62
Check Assemblies	M1391K	CM-391-3681-001	5.46
Plug	T1391	CM-391-2286-004	21.11
Spacer	VB1669-1	CM-391-3383-069	49.42
Seal Retainer	AC1669	CM-391-3381-040	20.81
Hi Pressure Seal	X73-50-8	CM-391-2883-119	25.61
Ring Seals	NB1669-1	CM-391-2585-006	13.40
Roller Bearings	S1032	CM-391-0381-906	28.82
Thrust Plates	Y1058	CM-391-2185-913	63.70
P75/76 SERIES			
Snap Ring	X96-315	CM-391-2686-025	\$9.61
Outboard Bearing	X69-59	CM-391-0381-078	73.47
Spacer	VB1669	CM-391-3383-018	31.50
Seal Retainer	RA1072	CM-391-2584-051	52.40
O Ring	L3006-164	CM-391-2881-457	0.54
Seal (pump)	X73-37-10	CM-391-2883-052	11.61
(motor)	X73-50-1	CM-391-2883-094	41.05
Check Assemblies	M1391K	CM-391-3681-001	5.46

Description	Engineering #	Part #	Price
P75/76 SERIES			
Plug	T1391	CM-391-2286-004	\$21.11
Ring Seals	WB1669-1	CM-391-2585-011	19.48
Roller Bearings	R1032	CM-391-0381-904	62.94
Pocket Seals	BA3026-6	CM-391-2882-084	5.13
Thrust Plates	BA1058	CM-391-2185-920	159.19
P330 SERIES			
Snap Ring		300-206	\$4.35
Outboard Bearing	X69-40	CM-391-0381-040	41.97
Seal	X73-37-16	CM-391-2883-058	3.62
Bushings	(330) BUSHINGS	CM-391-0482-306	19.47
Channel Seal	P330 CHNL SEAL	CM-391-2885-065	15.87
Thrust Plates	P330 THRUST PLT	CM-391-2185-956	139.08
Gasket Seal	SOR-75NBR-4x1/8-C/S	580-242	1.15
Dowel Pins (Solid)	P31 DOWEL PINS	CM-391-2082-032	14.35
P350 SERIES			
Snap Ring		WHM-283	\$14.19
Outboard Bearing	X69-58	CM-391-0381-077	61.64
Seal	X73-37-16	CM-391-2883-103	10.04
Bushings	(330) BUSHINGS	CM-391-0482-308	52.48
Channel Seal	P330 CHNL SEAL	CM-391-2885-066	11.47
Thrust Plates	P330 THRUST PLT	CM-391-2185-957	84.02
Gasket Seal	SOR-75NBR-4.5x1/8-C/S	580-246	1.71
Dowel Pins (Solid)	P31 DOWEL PINS	CM-391-2082-032	14.35
P365 SERIES			
Snap Ring		300-315	\$12.10
Outboard Bearing	X69-59	CM-391-0381-078	73.47
Seal	X73-37-10	CM-391-2883-052	11.61
Bushings	BUSHING 365	CM-391-0482-307	50.71
Channel Seal	CHANNELSEAL	CM-391-2885-064	31.72
Thrust Plates	P365 THRUST PLT	CM-391-2185-055	103.70
Gasket Seal	SOR-75NBR-5x1/8-C/S	580-250	2.45
Dowel Pins (Solid)	PIN,DOWEL	CM-391-2082-062	3.00

PUMP REPAIR KITS

C101/C102 PARTS BREAKDOWN

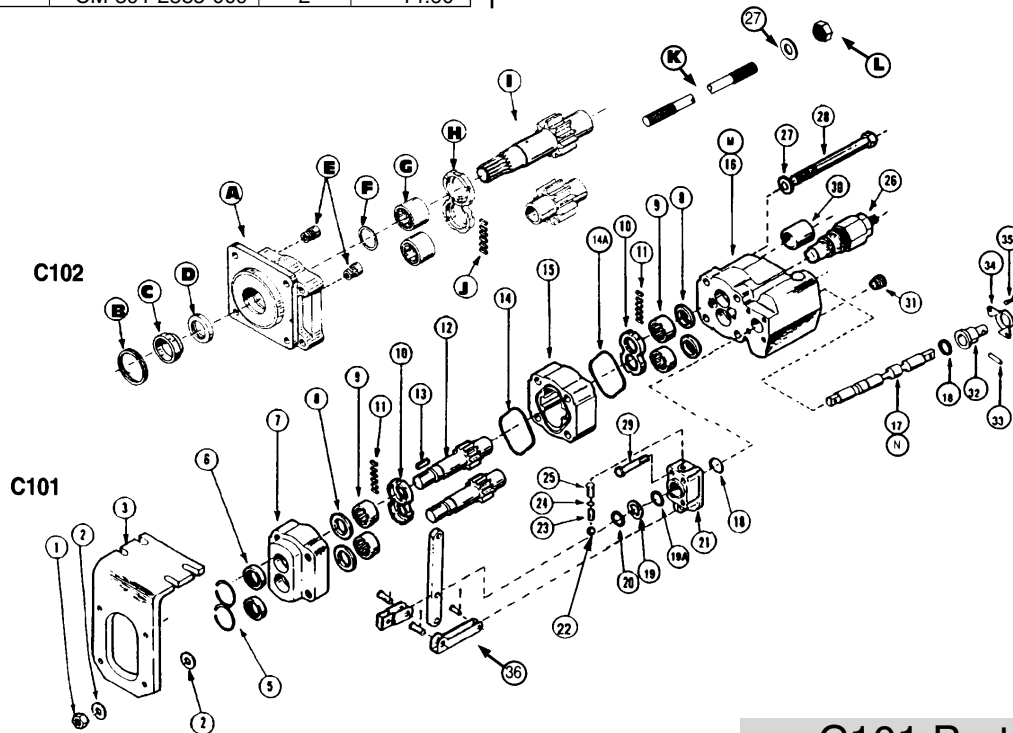


Seal Kit for C101 - CM-HC101
Seal Kit for C102 - CM-HC102

Typical Parts

Item	Description	Part #	Req	Price
A	Shaft End Cover	For reference only	1	N/A
B	Snap Ring	CM-391-2686-065	1	\$12.14
C	Seal Retainer	CM-391-3383-087	1	19.00
D	Lip Seal	CM-391-2883-115	1	50.31
E	Check Assembly	CM-391-3681-001	2	5.46
F	Ring Seal	CM-391-2585-009	2	14.60

Item	Description	Part #	Req	Price
G	Roller Bearing	CM-391-0381-905	4	\$43.84
H	Thrust Plate	CM-391-2185-912	2	64.34
J	Pocket Seal	CM-391-2882-050	12	0.86
M	Port End Cover	For reference only	1	N/A
N	Valve Spool	For reference only	1	N/A



C101 Parts List

Item	Description	Part #	Req	Price
1	Hex Nut	For reference only	4	N/A
2	Washer	For reference only	8	N/A
3	Bracket (optional)	For reference only	1	N/A
5	Snap Ring	CM-391-2681-493	2	\$4.27
6	Lip Seal	CM-391-2883-096	2	39.94
7	Shaft End Cover	For reference only	1	N/A
8	Ring Seal	CM-391-2585-009	4	\$14.60
9	Roller Bearing	CM-391-0381-905	4	43.84
10	Thrust Plate	CM-391-2185-912	2	65.80
11	Pocket Seals	CM-391-2882-050	12	0.86
12	Gear Set 2" 2 1/2"	For reference only	1	N/A
13	Shaft Key	For reference only	1	N/A
14	Gasket Seal	For reference only	2	N/A
15	Gear 2"	For reference only	1	N/A
16*	Housing 2 1/2"	For reference only	1	N/A
17*	Port End Cover	For reference only	1	N/A
18	Valve Spool	For reference only	1	N/A
19A	"O" Ring	CM-391-2881-103	2	\$0.19
19	Wiper Ring	CM-391-2883-147	1	3.78
19	Retainer Ring	CM-391-3782-126	1	5.34
20	Snap Ring	CM-391-2688-003	1	12.68

Item	Description	Part #	Req	Price
21	Detent Cap	For reference only	1	N/A
22	Detent Ball	For reference only	1	N/A
23	Detent Spring	For reference only	1	N/A
24	Lock Washer	For reference only	1	N/A
25	Detent Retainer	For reference only	1	N/A
26	Relief Valve	For reference only	1	N/A
27	Washer	For reference only	4	N/A
28	Cap Screw 2" 2 1/2"	For reference only	4	N/A
29	Cap Screw	For reference only	4	N/A
30	Sleeve (optional)	For reference only	1	N/A
31	Pipe Plug - 1" NPT	For reference only	1	N/A
32	Spool End Cap	For reference only	1	N/A
33	Spiral Pin	For reference only	1	N/A
34	Bracket	For reference only	1	N/A
35	Socket Hd. Cap Screw	For reference only	2	N/A
36	Handle Ass'y (optional)	For reference only	1	N/A

*Items 16, 17 M and N are not serviceable parts.

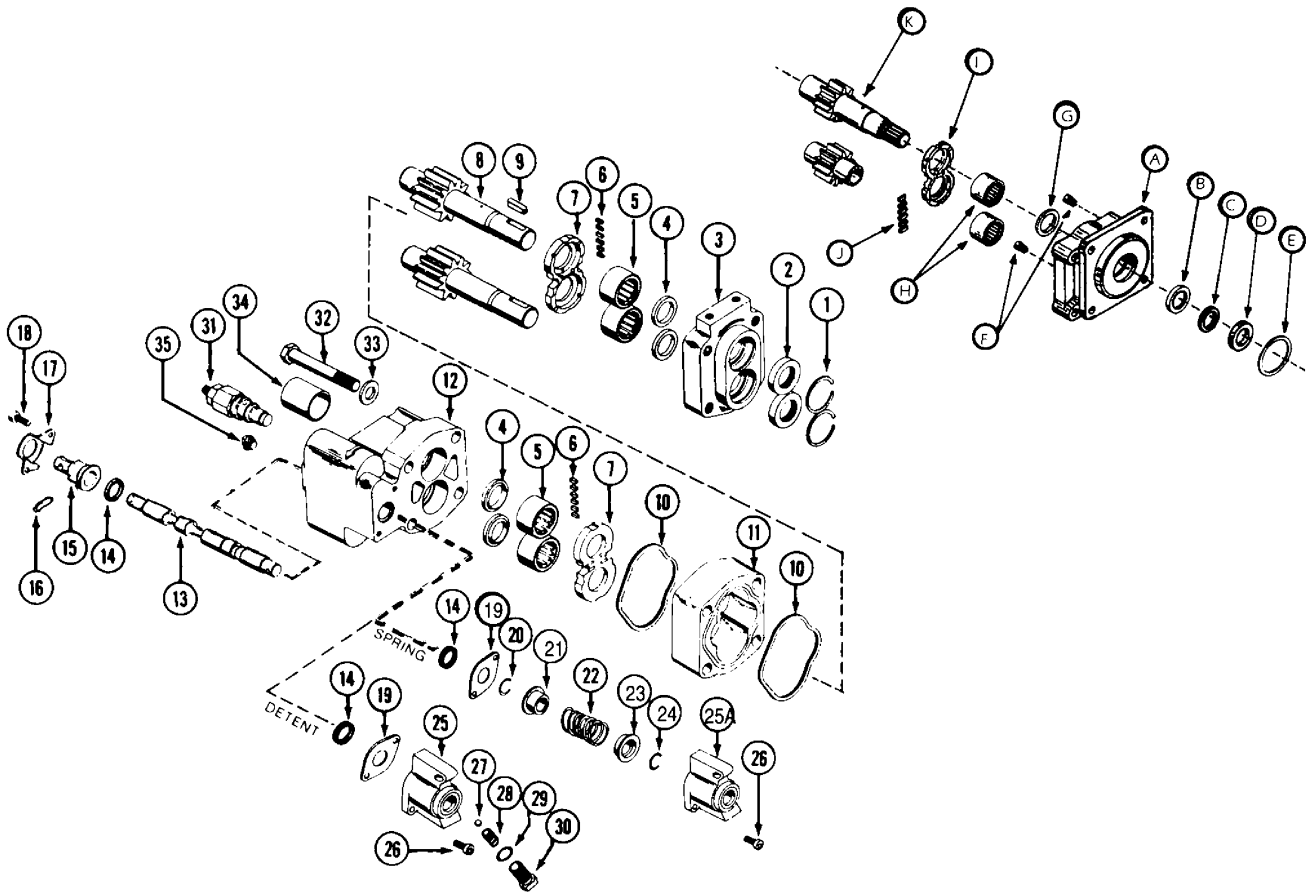
G101 / G102 PARTS BREAKDOWN



Seal Kit for G101 - CM-HG101
Seal Kit for G102 - CM-HG102

Item	Description	Part #	Req	Price
B	Lip Seal	CM-391-2883-119	1	\$25.61
C	Seal Retainer	CM-391-3381-040	1	20.81
D	Spacer	CM-391-3383-069	1	49.42
E	Snap Ring	CM-391-2686-063	1	3.74
F	Checks	CM-391-3681-001	2	5.46

Item	Description	Part #	Req	Price
G	Ring Seal	CM-391-2585-006	2	\$13.40
H	Roller Bearing	CM-391-0381-906	4	28.82
I	Thrust Plate	CM-391-2185-913	2	63.70
J	Pocket Seal	568C-093	1ft	1.00



Item	Description	Part #	Req	Price
1	Snap Ring	CM-391-2681-487	2	\$14.93
2	Lip Seal	CM-391-2883-119	2	25.61
4	Ring Seal	CM-391-2585-006	4	13.40
5	Roller Bearing	CM-391-0381-906	4	28.82

Item	Description	Part #	Req	Price
6	Pocket Seal	568C-093	1ft	\$1.00
7	Thrust Plate	CM-391-2185-913	2	63.70
14	Quad Ring Seal	CM-391-1985-014	2	1.89

PUMP REPAIR KITS

P20 PARTS BREAKDOWN



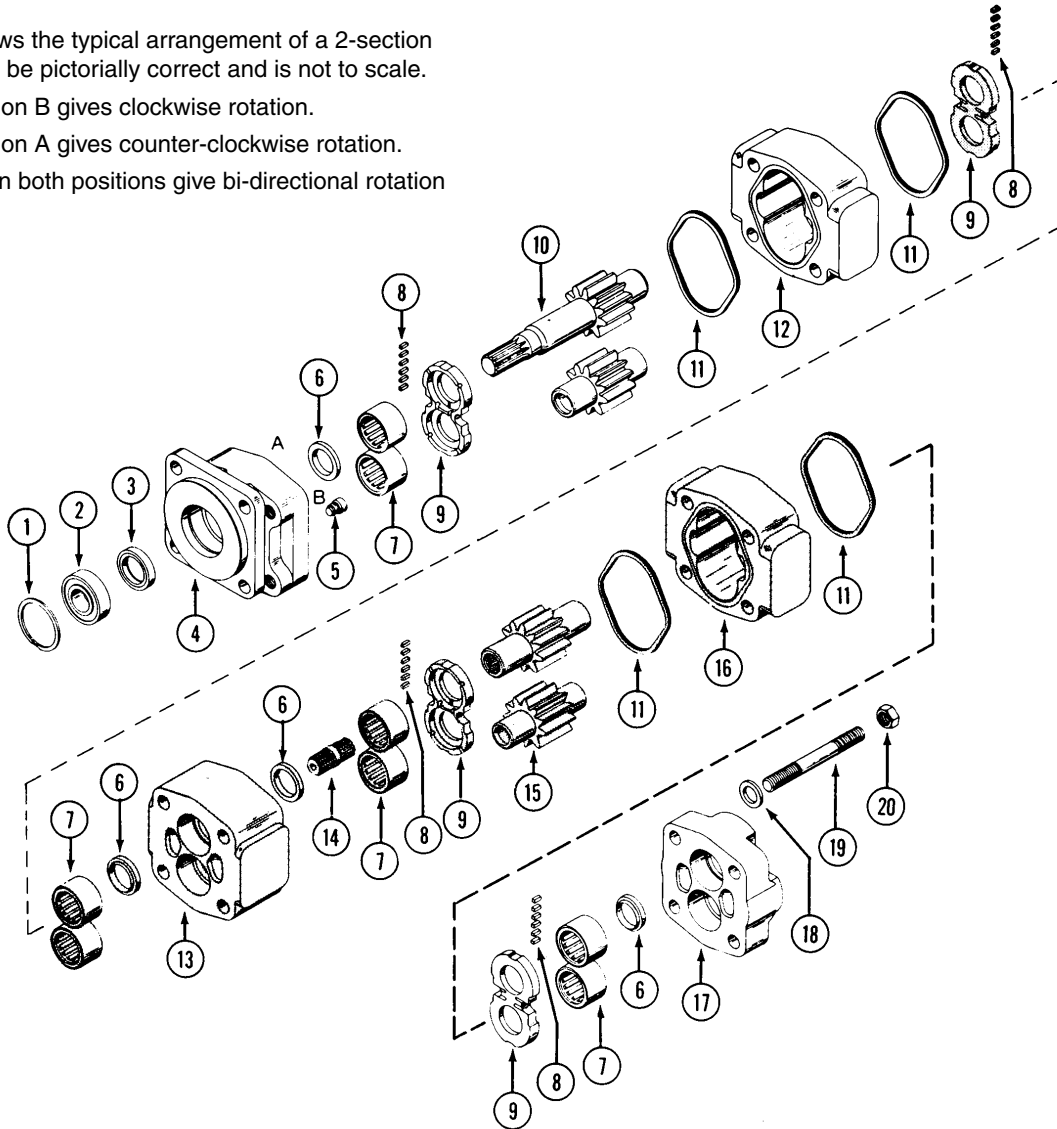
Note:

This page shows the typical arrangement of a 2-section unit. It may not be pictorially correct and is not to scale.

Plug 5 in position B gives clockwise rotation.

Plug 5 in position A gives counter-clockwise rotation.

Check valves in both positions give bi-directional rotation



Item	Description	Part #	Price
1	Snap Ring	CM-391-2686-063	\$3.74
2	Outboard Bearing	CM-391-0381-040	41.97
3	Seal	CM-391-2883-058	3.62
4	Shaft End Cover	For reference only	N/A
5	Check Assemblies or Plug	CM-391-3681-001	5.46
6	Ring Seals	CM-391-2585-006	13.40
7	Roller Bearings	CM-391-0381-906	28.82
8	Pocket Seals	568C-093	1.00
9	Thrust Plates	CM-391-2185-913	63.70
10	Integral Drive Shaft and Gear Set	For reference only	N/A

Item	Description	Part #	Price
11	Gasket Seals	580-239	\$1.13
12	Gear Housing	For reference only	N/A
13	Bearing Carrier	For reference only	N/A
14	Connecting Shaft	For reference only	N/A
15	Matched Gear Set	For reference only	N/A
16	Gear Housing	For reference only	N/A
17	Port End Cover	For reference only	N/A
18	Washers	For reference only	N/A
19	Studs or Cap Screws	For reference only	N/A
20	Nuts	For reference only	N/A

P30 PARTS BREAKDOWN



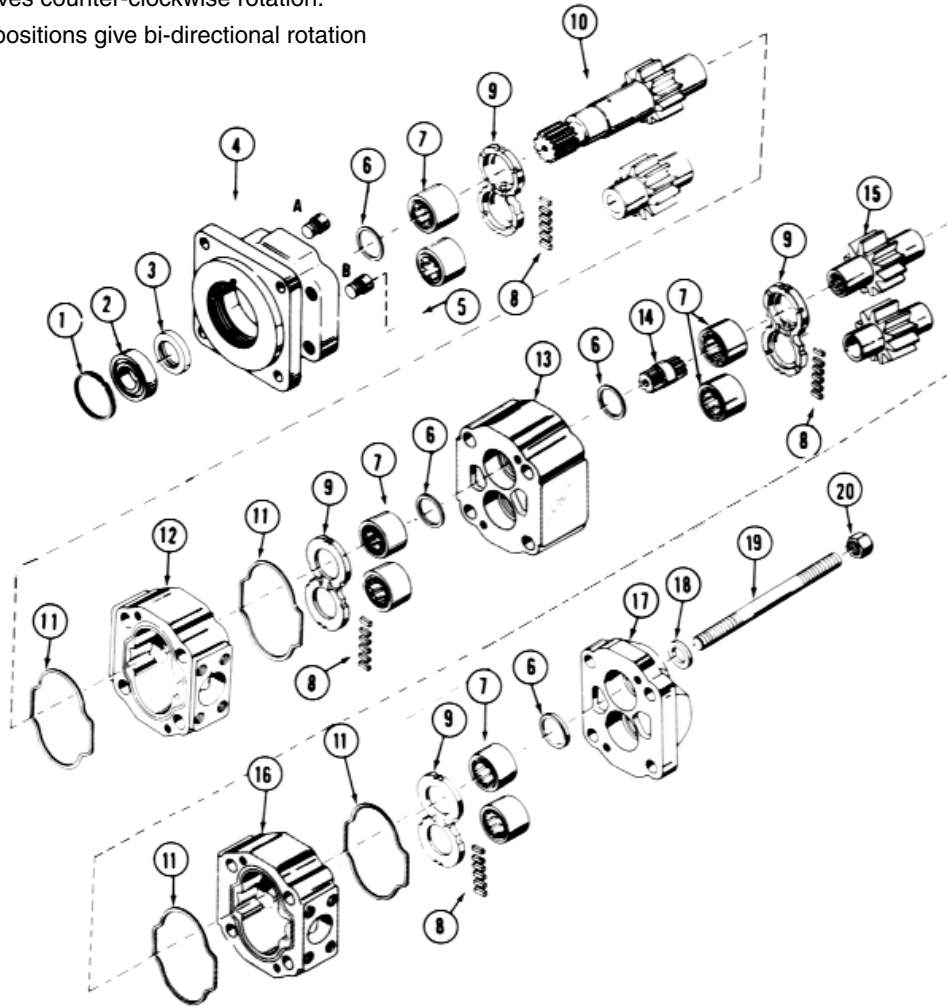
Note:

This page shows the typical arrangement of a 2-section unit. It may not be pictorially correct and is not to scale.

Plug 5 in position B gives clockwise rotation.

Plug 5 in position A gives counter-clockwise rotation.

Check valves in both positions give bi-directional rotation



Item	Description	Part #	Price
1	Snap Ring	CM-391-2686-063	\$3.74
2	Outboard Bearing	CM-391-0381-040	41.97
3	Seal (Pump)	CM-391-2883-058	3.62
4	Hi Pressure Seal (Motor)	CM-391-2883-119	25.61
5	Shaft End Cover	For reference only	N/A
6	Check Assemblies	CM-391-3681-001	5.46
7	Plug	CM-391-2286-004	21.11
8	Ring Seals	CM-391-2585-006	13.40
9	Roller Bearings	CM-391-0381-906	28.82
10	Pocket Seals	568C-093	1.00
11	Thrust Plates	CM-391-2185-913	63.70
12	Integral Drive Shaft and Gear Set	For reference only	N/A

Item	Description	Part #	Price
11	Gasket Seals	CM-391-2884-050	\$1.00
12	Gear Housing	For reference only	N/A
13	Bearing Carrier	For reference only	N/A
14	Connecting Shaft	For reference only	N/A
15	Matched Gear Set	For reference only	N/A
16	Gear Housing	For reference only	N/A
17	Port End Cover	For reference only	N/A
18	Washers	For reference only	N/A
19	Studs or Cap Screws	For reference only	N/A
20	Nuts	For reference only	N/A

P31 PARTS BREAKDOWN



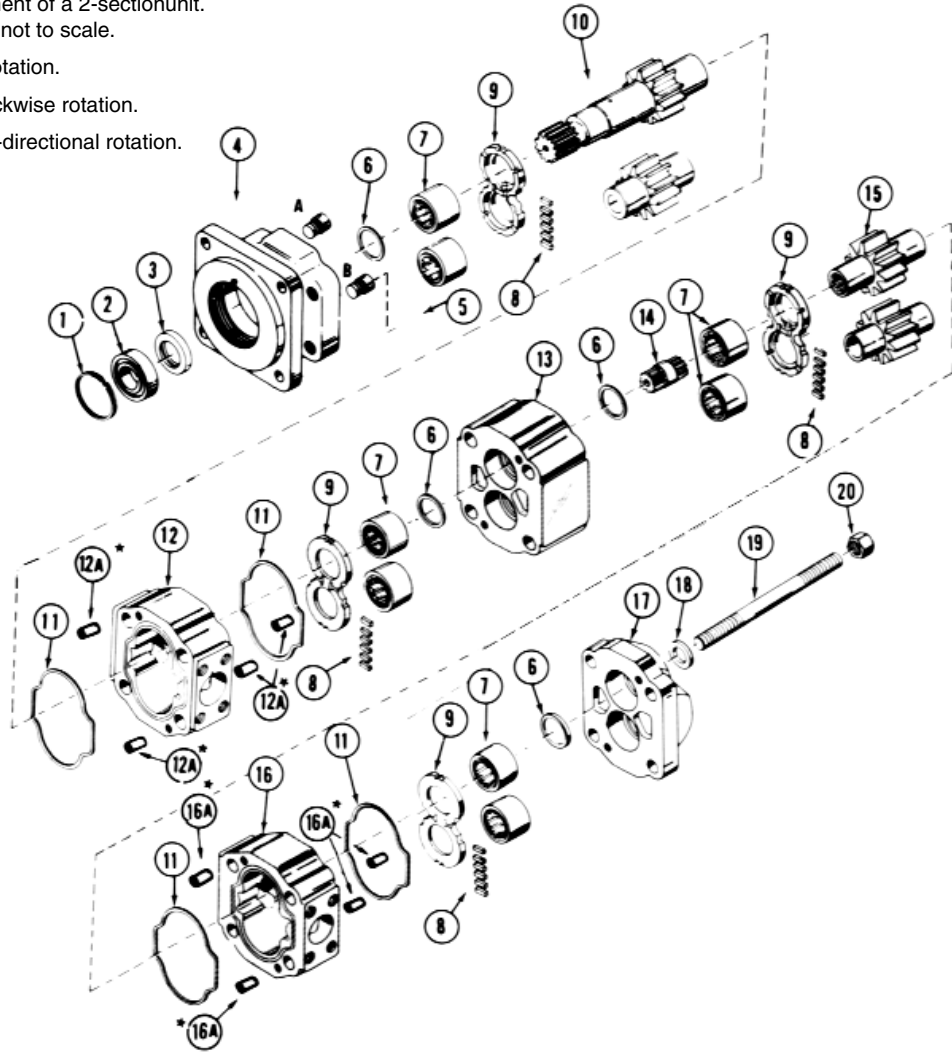
Note:

This page shows the typical arrangement of a 2-section unit. It may not be pictorially correct and is not to scale.

Plug 5 in position B gives clockwise rotation.

Plug 5 in position A gives counter-clockwise rotation.

Check valves in both positions give bi-directional rotation.



Item	Description	Part #	Price
1	Snap Ring	CM-391-2686-063	\$3.74
2	Outboard Bearing	CM-391-0381-040	41.97
3	Seal (Pump)	CM-391-2883-058	3.62
	Hi Pressure Seal (Motor)	CM-391-2883-119	25.61
4	Shaft End Cover	For reference only	N/A
5	Check Assemblies	CM-391-3681-001	5.46
	Plug	CM-391-2286-004	21.11
6	Ring Seals	CM-391-2585-006	13.40
7	Roller Bearings	CM-391-0381-906	28.82
8	Pocket Seals	568C-093	1.00
9	Thrust Plates	CM-391-2185-913	63.70
10	Integral Drive Shaft and Gear Set	For reference only	N/A

Item	Description	Part #	Price
11	Gasket Seals	CM-391-2884-050	\$1.00
12	Gear Housing	For reference only	N/A
12A	Dowel Pins	CM-391-2082-032	14.35
13	Bearing Carrier	For reference only	N/A
14	Connecting Shaft	For reference only	N/A
15	Matched Gear Set	For reference only	N/A
16	Gear Housing	For reference only	N/A
16A	Dowel Pins	CM-391-2082-032	14.35
17	Port End Cover	For reference only	N/A
18	Washers	For reference only	N/A
19	Studs or Cap Screws	For reference only	N/A
20	Nuts	For reference only	N/A

PUMP REPAIR KITS

P50 PARTS BREAKDOWN



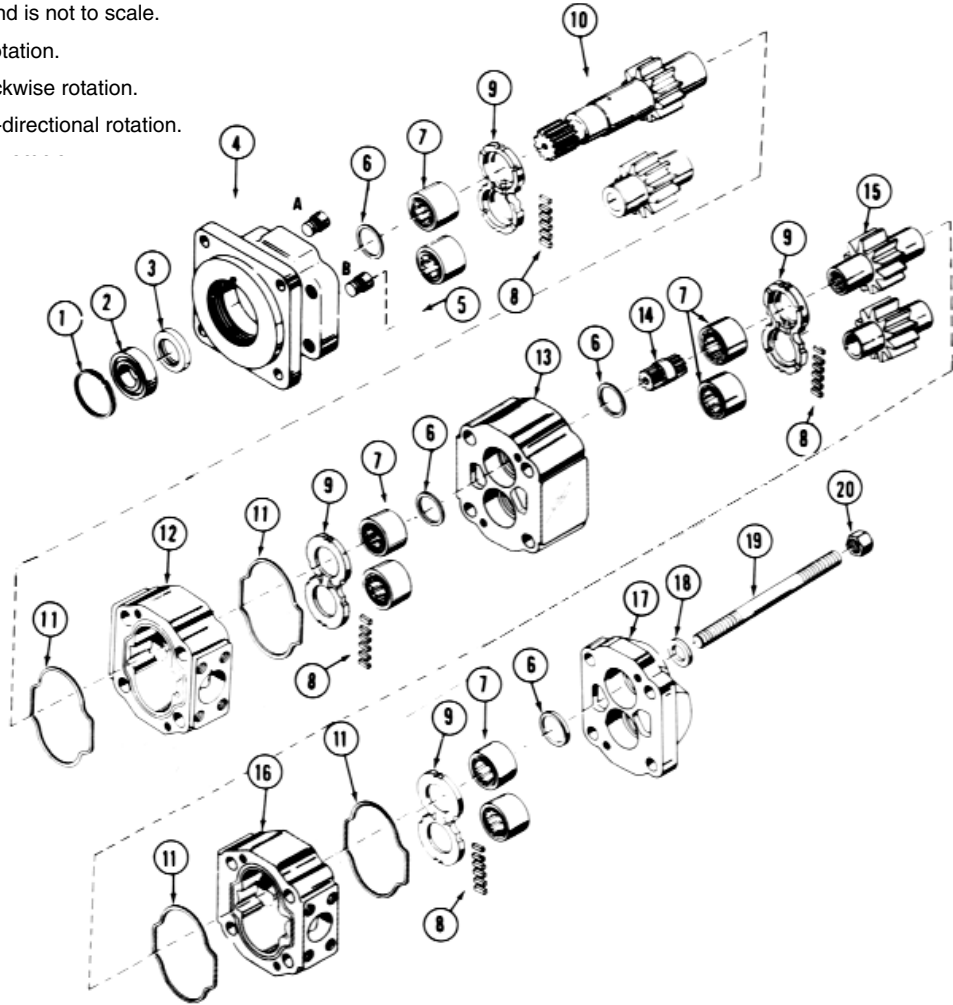
Note:

This page shows the typical arrangement of a 2-section unit. It may not be pictorially correct and is not to scale.

Plug 5 in position B gives clockwise rotation.

Plug 5 in position A gives counter-clockwise rotation.

Check valves in both positions give bi-directional rotation.



PUMP REPAIR KITS

Item	Description	Part #	Price
1	Snap Ring	CM-391-2686-065	\$12.14
2	Outboard Bearing	CM-391-0381-077	61.64
3	Seal (Pump)	CM-391-2883-103	10.04
	Hi Pressure Seal (Motor)	CM-391-2883-115	50.31
4	Shaft End Cover	For reference only	N/A
5	Check Assemblies	CM-391-3681-001	5.46
	Plug	CM-391-2286-004	21.11
6	Ring Seals	CM-391-2585-009	14.60
7	Roller Bearings	CM-391-0381-905	43.84
8	Pocket Seals	580C-093	1.21
9	Thrust Plates	CM-391-2185-912	64.34
10	Integral Drive Shaft and Gear Set	For reference only	N/A

Item	Description	Part #	Price
11	Gasket Seals	CM-391-2884-021	\$1.05
12	Gear Housing	For reference only	N/A
13	Bearing Carrier	For reference only	N/A
14	Connecting Shaft	For reference only	N/A
15	Matched Gear Set	For reference only	N/A
16	Gear Housing	For reference only	N/A
17	Port End Cover	For reference only	N/A
18	Washers	For reference only	N/A
19	Studs or Cap Screws	For reference only	N/A
20	Nuts	For reference only	N/A

P51 PARTS BREAKDOWN



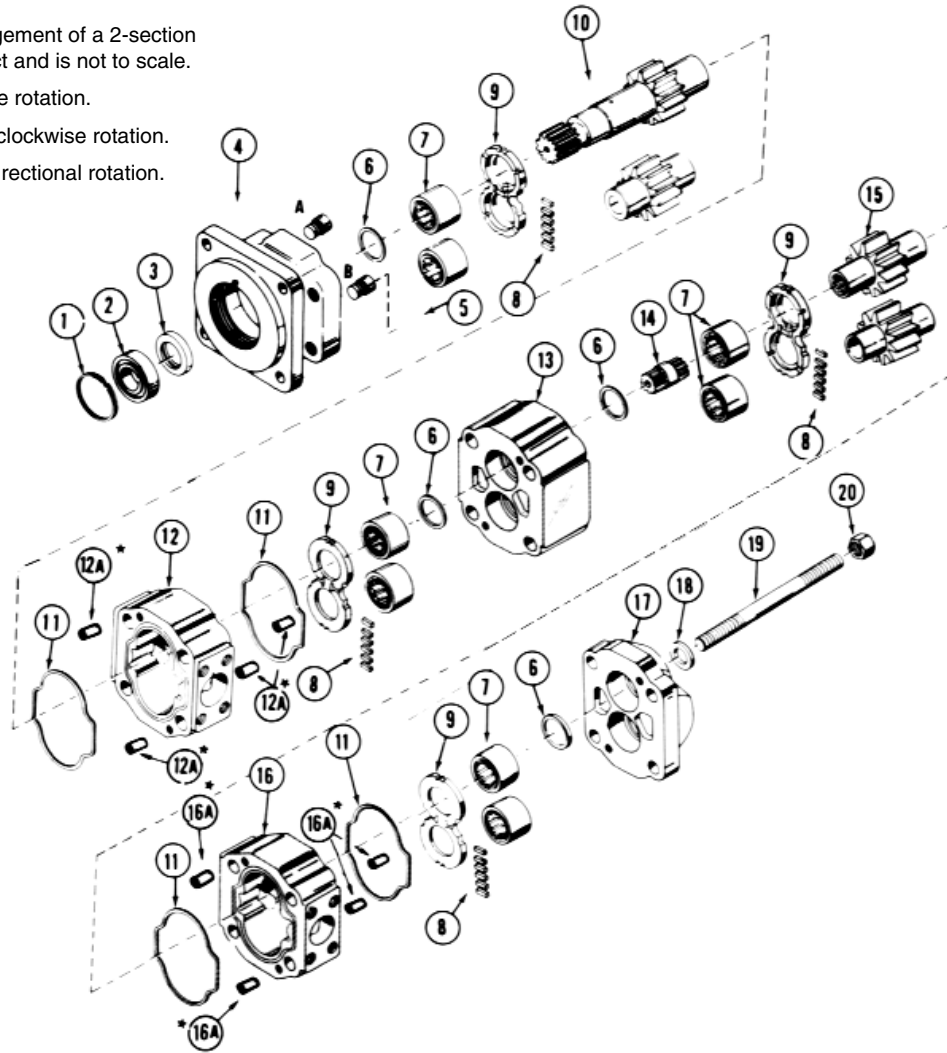
Note:

This page shows the typical arrangement of a 2-section unit. It may not be pictorially correct and is not to scale.

Plug 5 in position B gives clockwise rotation.

Plug 5 in position A gives counter-clockwise rotation.

Check s in both positions give bi-directional rotation.



Item	Description	Part #	Price
1	Snap Ring	CM-391-2686-065	\$12.14
2	Outboard Bearing	CM-391-0381-077	61.64
3	Seal	CM-391-2883-103	10.04
	Hi Pressure Seal (Motor)	CM-391-2883-115	50.31
4	Shaft End Cover	For reference only	N/A
5	Check Assemblies	CM-391-3681-001	5.46
	Plug	CM-391-2286-004	21.11
6	Ring Seals	CM-391-2585-009	14.60
7	Roller Bearings	CM-391-0381-905	43.84
8	Pocket Seals	580C-093	1.21
9	Thrust Plates	CM-391-2185-912	64.34
10	Integral Drive Shaft and Gear Set	For reference only	N/A

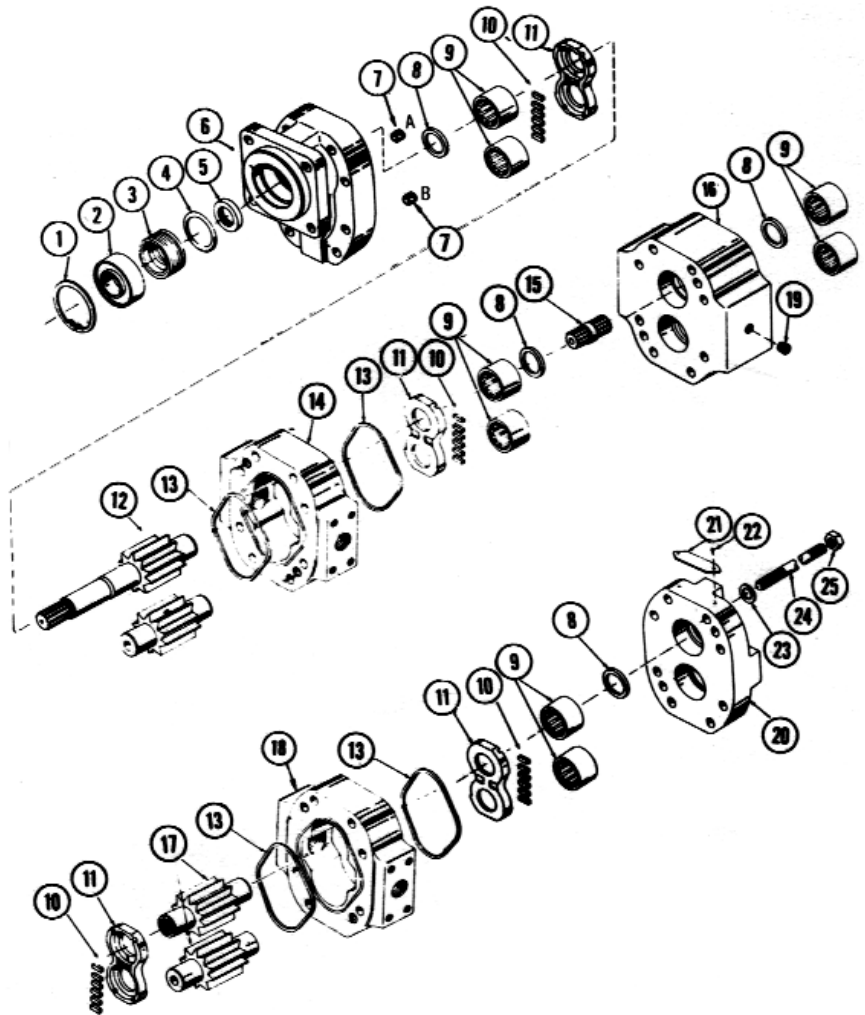
Item	Description	Part #	Price
11	Gasket Seals	CM-391-2884-021	\$1.05
12	Gear Housing	For reference only	N/A
12A	Dowel Pins	CM-391-2082-032	14.35
13	Bearing Carrier	For reference only	N/A
14	Connecting Shaft	For reference only	N/A
15	Matched Gear Set	For reference only	N/A
16	Gear Housing	For reference only	N/A
16A	Dowel Pins	CM-391-2082-032	14.35
17	Port End Cover	For reference only	N/A
18	Washers	For reference only	N/A
19	Studs or Cap Screws	For reference only	N/A
20	Nuts	For reference only	N/A

P75 PARTS BREAKDOWN



Note:

Plug 7 in position B gives clockwise rotation.
 Plug 7 in position A gives counter-clockwise rotation.
 Check valves in both positions
 Give bi-directional rotation.



PUMP REPAIR KITS

Item	Description	Part #	Price
1	Snap Ring	CM-391-2686-025	\$9.61
2	Outboard Bearing	CM-391-0381-078	73.47
	Spacer	CM-391-3383-018	31.50
3	Seal Retainer	CM-391-2584-051	52.40
4	"O" Ring	CM-391-2881-457	0.54
5	Seal (Pump)	CM-391-2883-052	11.61
	Seal (Motor)	CM-391-2883-094	41.05
6	Shaft End Cover	For reference only	N/A
7	Check Assemblies	CM-391-3681-001	5.46
	Plug	CM-391-2286-004	21.11
8	Ring Seals	CM-391-2585-011	19.48
9	Roller Bearings	CM-391-0381-904	62.94
10	Pocket Seals	568C-125	1.14
11	Thrust Plates	CM-391-2185-920	159.19

Item	Description	Part #	Price
12	Integral Drive Shaft	For reference only	N/A
13	Gasket Seals	580-252	\$2.71
14	Gear Housing	For reference only	N/A
15	Connecting Shaft	For reference only	N/A
16	Bearing Carrier	For reference only	N/A
17	Matched Gear Set	For reference only	N/A
18	Gear Housing	For reference only	N/A
19	Plug	For reference only	N/A
20	Port End Cover	For reference only	N/A
21	Name Plate	For reference only	N/A
22	Drive Screws	For reference only	N/A
23	Washers	For reference only	N/A
24	Studs or Cap Screws	For reference only	N/A
25	Nuts	For reference only	N/A

P76 PARTS BREAKDOWN



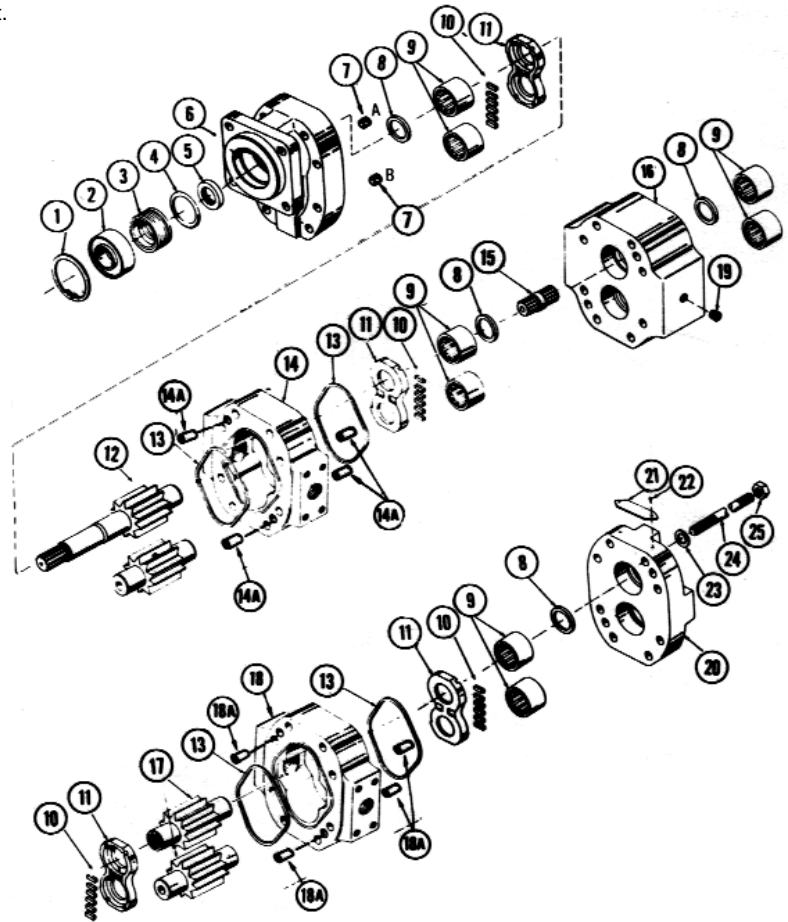
Note:

This page shows the typical arrangement of a 2-section unit. It may not be pictorially correct and is not to scale.

Plug 7 in position B gives clockwise rotation.

Plug 7 in position A gives counter-clockwise rotation.

Check valves in both positions give bi-directional rotation.



Item	Description	Part #	Price
1	Snap Ring	CM-391-2686-025	\$9.61
2	Outboard Bearing	CM-391-0381-078	73.47
3	Seal Retainer	CM-391-2584-051	52.40
4	"O" Ring	CM-391-2881-457	0.54
5	Seal (Pump)	CM-391-2883-052	11.61
	Seal (Motor)	CM-391-2883-094	41.05
6	Shaft End Cover	For reference only	N/A
7	Check Assemblies	CM-391-3681-001	5.46
	Plug	CM-391-2286-004	21.11
8	Ring Seals	CM-391-2585-011	19.48
9	Roller Bearings	CM-391-0381-904	62.94
10	Pocket Seals	568C-125	1.14
11	Thrust Plates	CM-391-2185-920	159.19
12	Integral Drive Shaft and Gear Set	For reference only	N/A
13	Gasket Seals	580-252	2.71

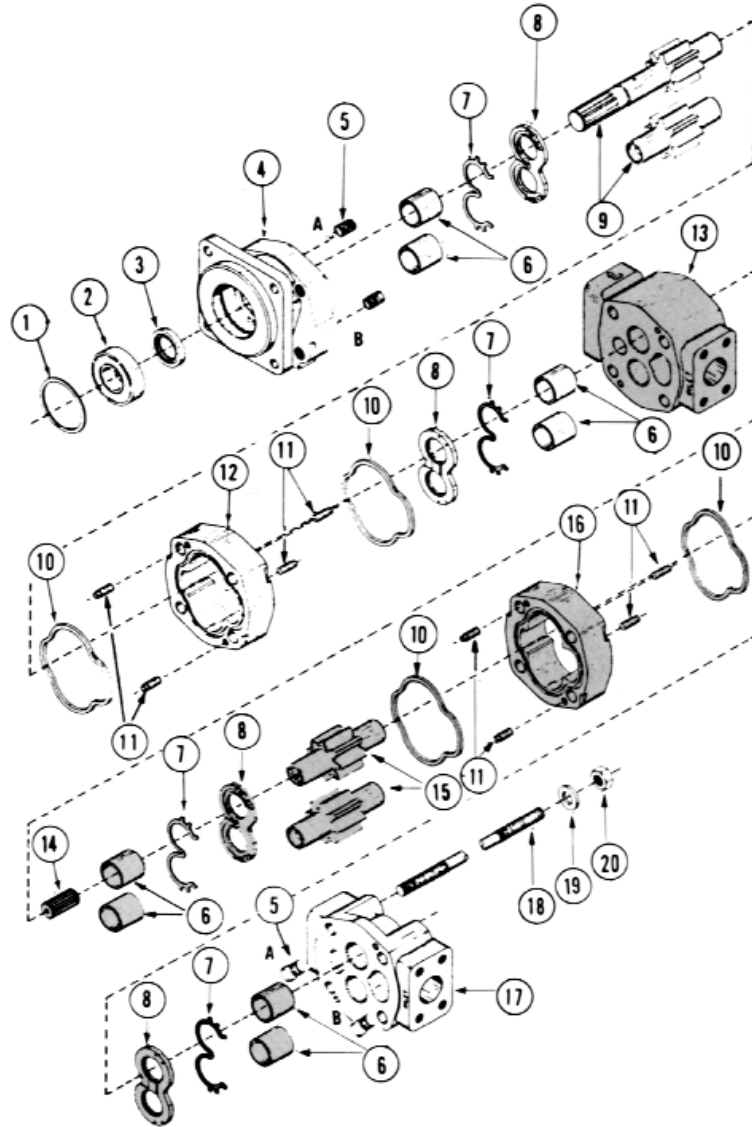
Item	Description	Part #	Price
14	Gear Housing	For reference only	N/A
14A	Dowel Pins	For reference only	N/A
15	Connecting Shaft	For reference only	N/A
16	Bearing Carrier	For reference only	N/A
17	Matched Gear Set	For reference only	N/A
18	Gear Housing	For reference only	N/A
18A	Dowel Pins	For reference only	N/A
19	Plug	For reference only	N/A
20	Port End Cover	For reference only	N/A
21	Name Plate	For reference only	N/A
22	Drive Screws	For reference only	N/A
23	Washers	For reference only	N/A
24	Studs or Cap Screws	For reference only	N/A
25	Nuts	For reference only	N/A

P330 PARTS BREAKDOWN



Note:

Plug 5 required in position A and B.



Item	Description	Part #	Price
1	Snap Ring	300-206	\$4.35
2	Outboard Bearing	CM-391-0381-040	41.97
3	Seal	CM-391-2883-058	3.62
4	Shaft End Cover	For reference only	N/A
5	Plug	CM-391-2286-004	21.11
6	Bushings	CM-391-0482-306	19.47
7	Channel Seal	CM-391-2885-065	15.87
8	Thrust Plates	CM-391-2185-956	139.08
9	Integral Drive Shaft and Gear Set	For reference only	N/A
10	Gasket Seal	580-242	1.15

Item	Description	Part #	Price
11	Dowel Pins (Hollow)	CM-391-2082-032	\$14.35
12	Gear Housing	For reference only	N/A
13	Bearing Carrier	For reference only	N/A
14	Connection Shaft	For reference only	N/A
15	Matched Gear Set	For reference only	N/A
16	Gear Housing	For reference only	N/A
17	Port End Cover	For reference only	N/A
18	Studs or Cap Screws	For reference only	N/A
19	Washers	For reference only	N/A
20	Nuts	For reference only	N/A

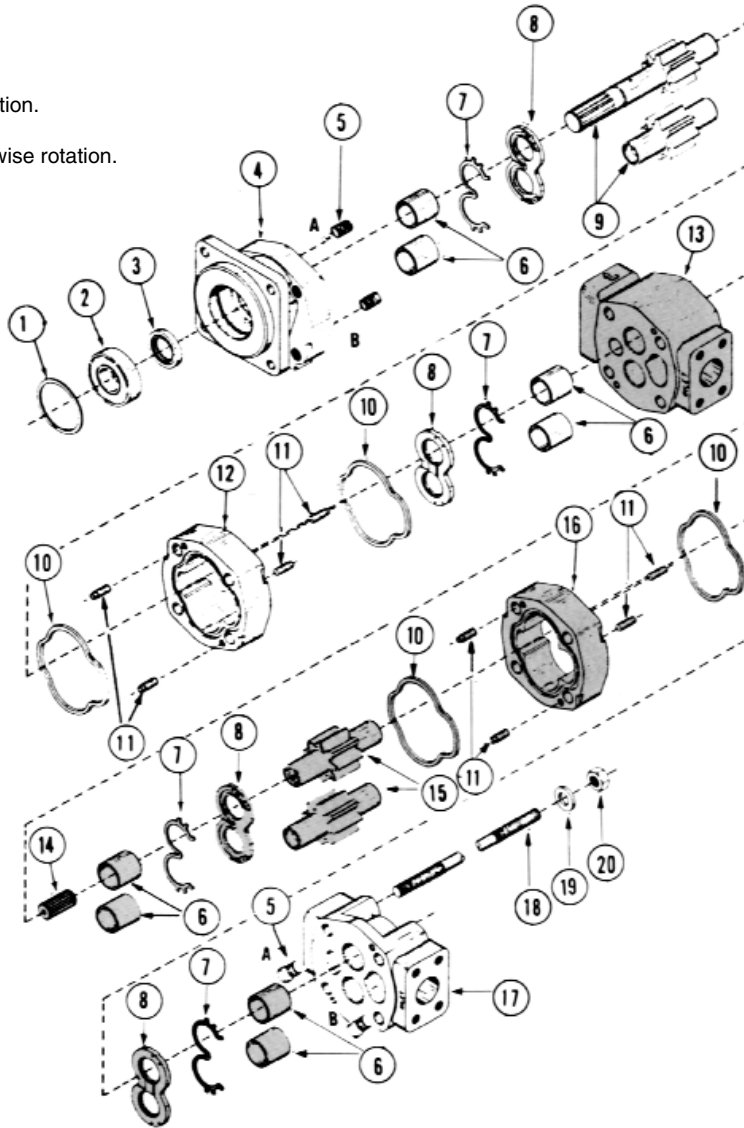
P350 PARTS BREAKDOWN



Note:

Plug 5 in position B gives clockwise rotation.

Plug 5 in position A gives counter-clockwise rotation.



Item	Description	Part #	Price
1	Snap Ring	WHM-283	\$14.19
2	Outboard Bearing	CM-391-0381-077	61.64
3	Seal	CM-391-2883-103	10.04
4	Shaft End Cover	For reference only	N/A
5	Plug	CM-391-2286-004	21.11
6	Bushings	CM-391-0482-308	52.48
7	Channel Seal	CM-391-2885-066	11.47
8	Thrust Plates	CM-391-2185-957	84.02
9	Integral Drive Shaft and Gear Set	For reference only	N/A
10	Gasket Seal	580-246	1.71

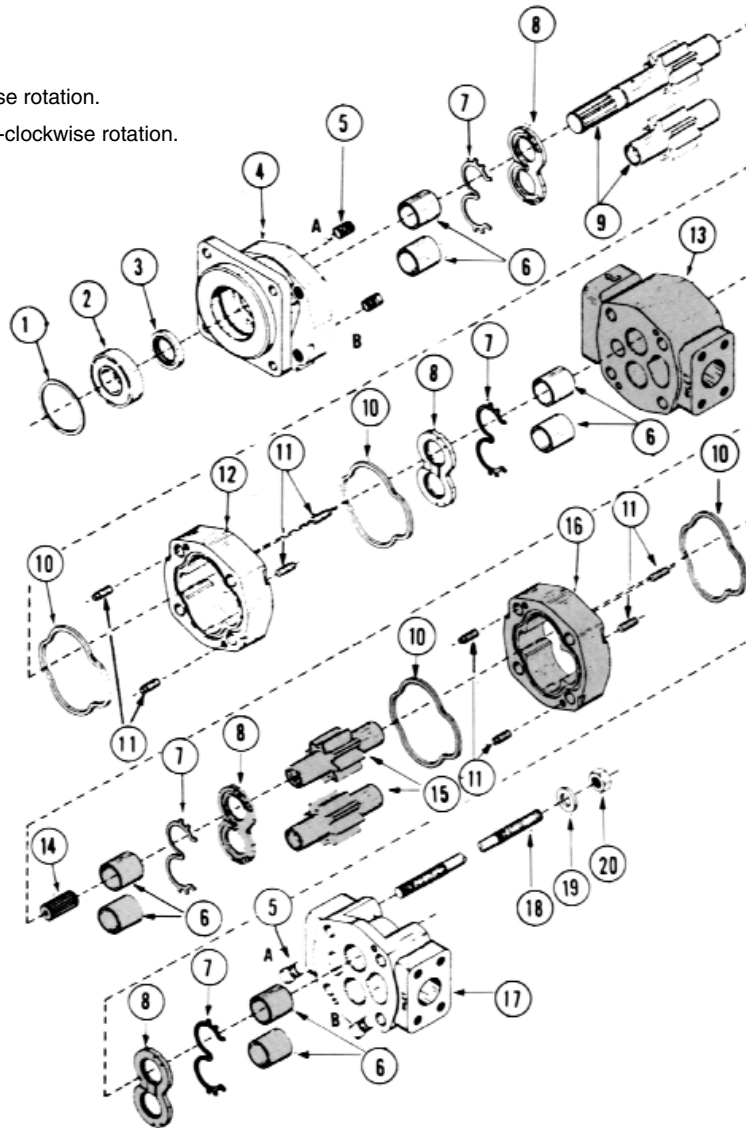
Item	Description	Part #	Price
11	Dowel Pins (Solid)	CM-391-2082-032	\$14.35
12	Gear Housing	For reference only	N/A
13	Bearing Carrier	For reference only	N/A
14	Connection Shaft	For reference only	N/A
15	Matched Gear Set	For reference only	N/A
16	Gear Housing	For reference only	N/A
17	Port End Cover	For reference only	N/A
18	Studs or Cap Screws	For reference only	N/A
19	Washers	For reference only	N/A
20	Nuts	For reference only	N/A

P365 PARTS BREAKDOWN



Note:

Plug 5 in position B gives clockwise rotation.
 Plug 5 in position A gives counter-clockwise rotation.



PUMP REPAIR KITS

Item	Description	Part #	Price
1	Snap Ring	300-315	\$12.10
2	Outboard Bearing	CM-391-0381-078	73.47
3	Seal	CM-391-2883-052	11.61
4	Shaft End Cover	For reference only	N/A
5	Plug	CM-391-2286-004	21.11
6	Bushings	CM-391-0482-307	50.71
7	Channel Seal	CM-391-2885-064	31.72
8	Thrust Plates	CM-391-2185-055	103.70
9	Integral Drive Shaft and Gear Set	For reference only	N/A
10	Gasket Seal	580-250	2.45

Item	Description	Part #	Price
11	Dowel Pins (Hollow)	CM-391-2082-032	\$14.35
12	Gear Housing	For reference only	N/A
13	Bearing Carrier	For reference only	N/A
14	Connection Shaft	For reference only	N/A
15	Matched Gear Set	For reference only	N/A
16	Gear Housing	For reference only	N/A
17	Port End Cover	For reference only	N/A
18	Studs or Cap Screws	For reference only	N/A
19	Washers	For reference only	N/A
20	Nuts	For reference only	N/A

Parker / Gresen Pump Repair Kits

Contents	Page
Gear Pump Parts	
• P16, TP16 - 2 Place, TP16 - 3 Place	1170
• PVP16, CP16, 20	1171
• R20, TP20 - 2 Place, TP20 - 3 Place	1172
• M20 Motor	1173
Assembly Torque Values	1174
Overhung Load Data	1174

P16 PUMP PARTS



Part #	Description	Pump Model	Price
TY-17098	Dowel pins	All	\$8.01
TY-15419	Service kit	All	135.92
TY-27163	Pressure plate	All	96.61
TY-14881	Shaft Seal	All	7.15

TP16 PUMP PARTS 2 PLACE



Part #	Description	Pump Model	Price
TY-17098	Dowel pins	All	\$8.01
TY-15623	Service kit	All	70.50
TY-27163	Pressure plate	All	96.61
TY-14881	Shaft Seal	All	7.15

TP16 PUMP PARTS 3 PLACE



Part #	Description	Pump Model	Price
TY-17098	Dowel pins	All	\$8.01
TY-15609	Service kit	All	168.44
TY-27163	Pressure plate	All	96.61
TY-14881	Shaft Seal	All	7.15

PVP16 PUMP PARTS



Part #	Description	Pump Model	Price
TY-17098	Dowel pins	All	\$8.01
TY-15419	Service kit	All	135.92
TY-27163	Pressure plate	All	96.61
TY-14881	Shaft Seal	All	7.15

CP16 PUMP PARTS



Part #	Description	Pump Model	Price
TY-17098	Dowel pins	All	\$8.01
TY-15419	Service kit	All	135.92
TY-27163	Pressure plate	All	96.61
TY-14881	Shaft Seal	All	7.15

SERIES 20 PUMP PARTS



Part #	Description	Pump Model	Price
TY-15629	Soft goods service kit - Shaft #4	All	\$74.22
TY-15630	Soft goods service kit -		175.68
TY-14145	Shaft seal - Shaft #1,2,3,5	All	17.95
TY-14416	Shaft seal - Shaft #4	All	68.80

R20 PUMP PARTS



Part #	Description	Pump Model	Price
TY-14662	Soft goods service kit - Shaft #1,2,3,5,6	All	\$221.57
TY-14305	Soft goods service kit - Shaft #4	All	98.06
TY-14145	Shaft seal - Shaft #1,2,3,5	All	17.95
TY-14416	Shaft seal - Shaft #4	All	68.80

TP20 PUMP PARTS 2 PLACE



Part #	Description	Pump Model	Price
TY-15672	Seal kit	All	\$301.54
TY-22195	Pressure plate	20200—20450	92.85
TY-14145	Shaft Seal	All	17.95

TP20 PUMP PARTS 3 PLACE



Part #	Description	Pump Model	Price
TY-15672	Seal kit	All	\$301.54
TY-22195	Pressure plate	20200—20450	92.85
TY-14145	Shaft Seal	All	17.95

M20 MOTOR PARTS



Part #	Description	Pump Model	Price
TY-14306	Soft goods service kit - Shaft #1,2,3,5,6	All	\$211.41
TY-15483	Shaft seal - Shaft #1,2,3,5	All	141.62

ASSEMBLY TORQUE VALUES



Assembly Torque Values

NOTES:

All torque values are based on a lubricated condition. If capscrews and/or nuts are dirty, they must be washed, blown dry, and re-oiled prior to installation. All studs must be washed and blown dry—DO NOT re-oil.

The following torque values are to be used in the assembly of pumps and motors:

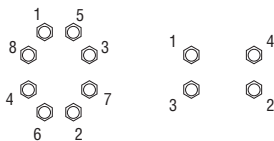
Series	Size	Torque (Ft.-Lbs)
P1	5/16 "	20-25
P12	M10	20-25
P14, FP14, TFP14, TP16	3/8 "	30-35
SSFP14	1/2 "	80-90
P2	3/8 "	30-35
P16, HP16, TP16	1/2 "	70-75
FPR16	1/2 "	80-90
FP16	5/8 "	160-175
TFP16	5/8 "	160-175
SSFP16	5/8 "	160-175
DP16	1/2 "	70-75
DP16 (valve)	3/8 "	30-35
FP17	5/16 "	18-20
20, M20, FP20	1/2 "	80-90
P6, FM6, TM6	1/2 "	80-90
25, M25, FP25	5/8 "	160-175
FP257, FPW257	5/8 "	160-175
HP7, HM7, FP7	3/4 "	240-250
SL7	5/8 "	160-175
HP8, HM8, FP8, SL8	3/4 "	240-250
PM23	5/8 "	180-190
DPH	5/8 "	180-190
HILLSDALE	3/8 "	40-45
HILLSDALE	7/16 "	50-55
T101/102	5/8 "	195-200
MGG/PGG (body)	5/16 "	21-24
MGG/PGG (flange)	#10	46-54 (in.-lb.)

NOTES:

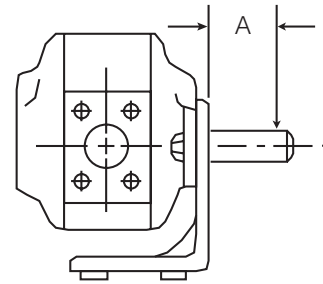
For "Mixed" Series, ie: TP25450-20200-P14-45A, use torque values corresponding to each section: 25 Series for the 25450 (160-175), 20 Series for the 20200 (80-90), and P14 Series for the P14-45 (30-35). Verify stud/capscrew sizes.

Torque value should be divided into two or three equal values, and applied in stages. e.g. P16 should be first torqued to 35 ft. lbs. then torqued to the final value of 70-75 ft. lbs.

While torquing the pump please follow pattern as shown below:



Overhung Load Data



PUMP SIZE	Dim. "A"	Allowable Load "L"	Allowable Operating Pressure
P12-17	1.00 "	100 Lbs..	2000 PSI
-22	"	"	"
-28	"	"	"
-34	"	"	"
-40	"	"	"
-45	"	"	"
P14-42	1.00 "	200 Lbs..	2000 PSI
-59	"	"	"
-74	"	"	"
-91	"	"	"
-108	"	"	"
P16-45	1.00 "	390 Lbs..	2200 PSI
-65	"	"	2200 PSI
-85	"	"	2100 PSI
-100	"	"	2100 PSI
-115	"	"	2000 PSI
-150	"	"	1800 PSI
-180	"	"	1700 PSI
-200	"	"	1600 PSI
20150	1.50 "	1050 Lbs..	2000 PSI
20200	"	"	"
20250	"	"	"
20300	"	"	"
20350	"	"	"
20400	"	"	"
20450	"	"	"
25500	1.50 "	1050 Lbs..	1800 PSI
25550	"	"	1600 PSI
25600	"	"	1350 PSI
25770	"	"	1150 PSI
25950	"	"	900 PSI
HP7	1.50 "	1300 Lbs..	3000 PSI
HP8	1.50 "	1300 Lbs..	2800 PSI

Allowable Load "L" must not be exceeded.

When Belt Drive is used, "L" must include both belt pre-tension and torque load.

Vickers Pump Repair Kits

Contents	Page
VQ Series and Catridge Kits	1176 - 1177
V & Motor Seal Kits	1178
Shaft Seals and Bearings	1179

VQ SEAL VQ SEAL KITS

VICKERS PART #	DESCRIPTION	LIST PRICE
20 VQ		
VI-433762	20 Seal Pack (4 Req'd)	\$10.57
25 VQ		
VI-920021	Single VQ Seal Kit	\$75.40
VI-920023	Single VQ Seal Kit - Viton	114.76
VI-920022	Double VQ Seal Kit	84.46
VI-920024	Double VQ Seal Kit - Viton	133.89
VI-433764	Seal Pack (4 Req'd)	16.60
35 VQ		
VI-920015	Single VQ Seal Kit	\$78.42
VI-920029	Single VQ Seal Kit - Viton	123.59
VI-920016	Double VQ Seal Kit	85.95
VI-920030	Double VQ Seal Kit - Viton	141.25
VI-433766	Seal Pack (4 Req'd)	13.58
45 VQ		
VI-920025	Single VQ Seal Kit	\$80.91
VI-920027	Single VQ Seal Kit - Viton	135.35
VI-920026	Double VQ Seal Kit	86.90
VI-920028	Double VQ Seal Kit - Viton	144.18
VI-433768	Seal Pack (4 Req'd)	14.72
2520 VQ		
VI-920040	Single VQ Seal Kit	\$107.40
VI-920042	Single VQ Seal Kit - Viton	127.44
VI-920041	Double VQ Seal Kit	110.08
VI-920043	Double VQ Seal Kit - Viton	195.67

VICKERS PART #	DESCRIPTION	LIST PRICE
3520 VQ		
VI-920048	Single VQ Seal Kit	\$114.61
VI-920050	Single VQ Seal Kit - Viton	241.33
VI-920049	Double VQ Seal Kit	125.18
VI-920051	Double VQ Seal Kit - Viton	195.67
3525 VQ		
VI-920056	Single VQ Seal Kit	\$114.61
VI-920058	Single VQ Seal Kit - Viton	188.31
VI-920057	Double VQ Seal Kit	122.12
VI-920059	Double VQ Seal Kit - Viton	217.74
4520 VQ		
VI-920060	Single VQ Seal Kit	\$119.17
VI-920062	Single VQ Seal Kit - Viton	201.56
VI-920061	Double VQ Seal Kit	127.99
VI-920063	Double VQ Seal Kit - Viton	222.16
4525 VQ		
VI-920068	Single VQ Seal Kit	\$126.68
VI-920070	Single VQ Seal Kit - Viton	216.28
VI-920069	Double VQ Seal Kit	133.89
VI-920071	Double VQ Seal Kit - Viton	235.40
4535 VQ		
VI-920072	Single VQ Seal Kit	\$123.59
VI-920074	Single VQ Seal Kit - Viton	225.09
VI-920073	Double VQ Seal Kit	133.89
VI-920075	Double VQ Seal Kit - Viton	239.81

VQ CARTRIDGE KITS 10 VANE VQ SERIES

VITON SEALS

GPM	VICKERS PART #	LIST PRICE
20 VQ		
5	VI-421588	\$442.59
7	VI-421589	442.59
11	VI-421590	442.59
12	VI-421591	777.36
14	VI-421592	442.59
25 VQ		
12	VI-421570	\$594.62
14	VI-421571	429.45
17	VI-421572	465.46
19	VI-421573	429.45
21	VI-421574	429.45

GPM	VICKERS PART #	LIST PRICE
35 VQ		
21	VI-421582	\$542.57
25	VI-421583	542.57
30	VI-421584	542.57
35	VI-421585	542.57
38	VI-421586	542.57
45 VQ		
42	VI-419511	\$631.30
47	VI-421954	631.30
50	VI-419510	631.30
67	VI-421955	631.30
60	VI-419509	714.94

All Cartridge Kits are 100% tested and are guaranteed to be free of defects in material and workmanship. Each Kit meets or exceeds flow and pressure specifications.

All Cartridge Kits will be clockwise rotation unless otherwise specified.

ORDER BY
THE VICKERS
PART NUMBER!

Call Today!
1-800-777-5617

V & MOTOR SEAL KITS

VICKERS PART #	DESCRIPTION	PRICE
25 V/30 V		
VI-922850	Seal Kit	\$36.19
VI-919656	Seal Kit - Viton	135.35
35 V		
VI-922851	Seal Kit	\$47.08
VI-919262	Seal Kit - Viton	173.61
45 V		
VI-919850	Seal Kit	\$44.13
VI-919632	Seal Kit - Viton	61.79
50 V		
VI-922853	Seal Kit	\$86.81
2520 V		
VI-922856	Seal Kit	\$57.38
VI-919303	Seal Kit - Viton	201.56
3520 V		
VI-922859	Seal Kit	\$63.33
VI-919304	Seal Kit - Viton	229.51
3525 V		
VI-922862	Seal Kit	\$63.33
VI-919305	Seal Kit - Viton	248.62
4520 V		
VI-922863	Seal Kit	\$61.79
VI-919616	Seal Kit - Viton	336.91
4525 V		
VI-922865	Seal Kit	\$63.25
VI-919345	Seal Kit - Viton	300.13

VICKERS PART #	DESCRIPTION	PRICE
4535 V		
VI-922866	Seal Kit	\$72.39
VI-919346	Seal Kit - Viton	314.85
25 M		
VI-923157	Seal Kit	\$64.84
35 M		
VI-923163	Seal Kit	\$88.98
45 M		
VI-923106	Seal Kit	\$90.49
50 M		
VI-923096	Seal Kit	\$138.74
V 10		
VI-923548	Seal Kit	\$51.50
V 110		
VI-922793	Seal Kit	\$32.37
V 210		
VI-922732	Seal Kit	\$40.71
V 210/V 20		
VI-922733	Seal Kit	\$33.37
V 2010		
VI-923577	Seal Kit	\$51.28
V 2020		
VI-923174	Seal Kit	\$45.23

PISTON PUMP SEAL KITS

Part #	Description	Price
PVH98/106		
VI-02-102264	Seal Kit	\$203.58
PVH131/141		
VI-02-102266	Seal Kit	\$166.11
PVM131/141		
VI-02-346168	Seal Kit	\$407.22

Equipment manufacturer's names, part numbers and descriptions are used for reference purposes only. We do not imply that any part shown is the product of these manufacturers.

SHAFT SEALS AND BEARINGS

SHAFT SEALS

VICKERS PART #	DESCRIPTION	SERIES	PRICE
VI-229235	Primary	V20	\$21.11
VI-229236	Primary	V20	33.19
VI-394976	Primary	25130	16.60
VI-429286	Primary Viton	25130	25.64
VI-429283	Secondary	25130	24.13
VI-394973	Primary	35V	22.62
VI-429284	Primary Viton	35VV	22.71
VI-429281	Secondary	35V	27.14
VI-394974	Primary	45V	16.60
VI-429285	Primary Viton	45VV	25.64
VI-429282	Secondary	45VS	26.38

BEARINGS

VICKERS PART #	DESCRIPTION	SERIES	PRICE
VI-98574	Standard	V20	\$11.33
VI-1705	Standard	25V	28.64
VI-232750	Heavy Duty	26131	97.10
VI-38441	Standard	35V	60.32
VI-131812	Standard	45V	48.56

**ORDER BY THE VICKERS
PART NUMBER**

Our complete line of seals and bearings assures your repair is right the first time!

Char-Lynn, Parker and White Motor Repair Kits

Contents	Page
Char-Lynn Seal Kits	1182
Parker Motor Repair Kits	1182
White RS Series	1183
• Motor Breakdown & Components	1183
White RE Series	1184
• Motor Breakdown & Components	1184
• 72 mm Bearing Motor Breakdown	1185
• 1.5" Bearing Motor Breakdown & Components	1186
• 1.5" Bearing Wheel Motor Breakdown & Components	1187
• 1.5" Bearing SAE "A" Style Flange Motor Breakdown & Components	1188
• 125 mm Bearing Motor Breakdown & Components	1189
• 12 Housing Brake Motor Breakdown & Components	1190
White DR Series	1191
• Motor Breakdown & Components	1191

CHAR-LYNN SEAL KITS

CHAR-LYNN Model Identification

XXX - XXX - XXX
 Product Product Engineering
 Line Identification Change Code

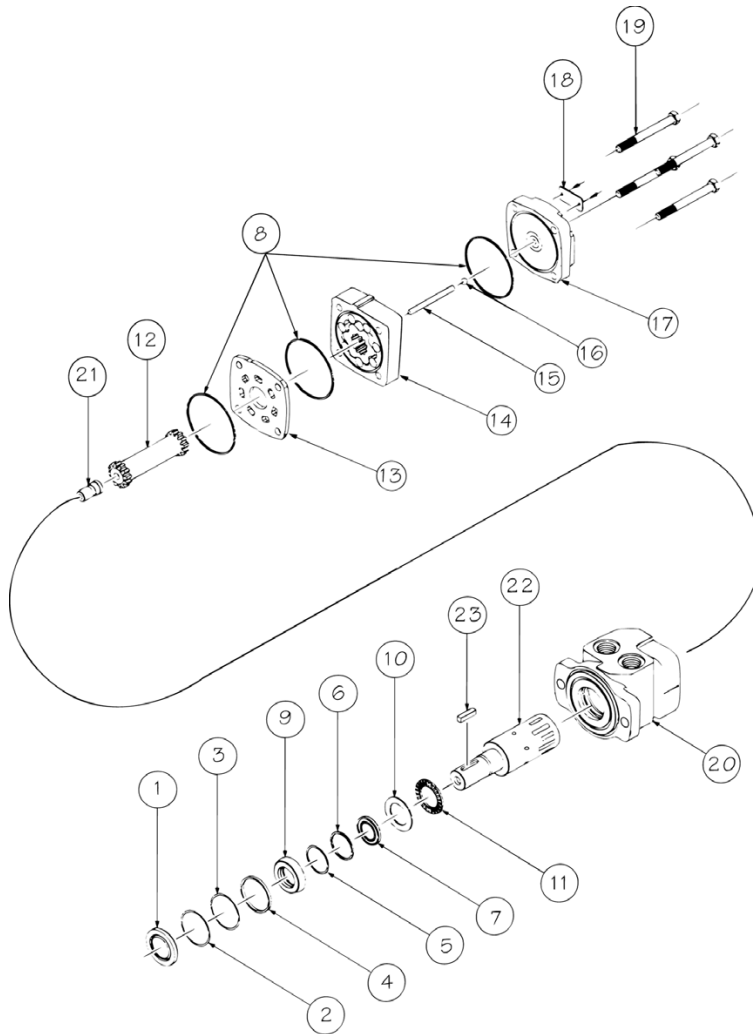
OEM Kit Number	Series	Description	Model Number	List Price
CHR-6405	10,000 Note: The -002 and -003 bearingless motors use 4 seals while the -004 motor uses 3 seals. Note: This kit is not applicable to 10,000 series two speed motors.	Motor Seal Kit	119-XXXX-002;-003;-004 120-XXXX-002;-003;-004 121-XXXX-002;-003;-004	\$145.70
CHR-6406	10,000 Note: Applicable to 10,000 series two speed motors.	Shaft Seal Kit	119-XXXX-001;-002;-003;-004 120-XXXX-002;-003;-004	157.01
CHR-60023	H A	Buna N Seal Kit	101-XXXX-007 130-XXXX-001	127.99
CHR-60026	S	Buna N Seal Kit	103-XXXX-007	127.93
CHR-60036	H	Buna N Seal Kit	101-XXXX-005	100.17
CHR-60042	S	Buna N Seal Kit	103-XXXX-006	128.97
CHR-60533	S	Buna N Seal Kit	103-XXXX-008	123.15
CHR-60539	S	Buna N Seal Kit	103-XXXX-009;-010	147.02
CHR-60540	A H	Buna N Seal Kit	130-XXXX-002;-003 101-XXXX-008;-009	140.41
CHR-61104	6000	Shaft Seal Kit	112-XXXX-002;-003;-004 113-XXXX-002;-003;-004	256.94
CHR-61105	6000	Rear Motor Kit	112-XXXX-002;-003;-004 113-XXXX-002;-003;-004	86.14
CHR-61234	4000	Rear Motor Kit	109-XXXX-004; 110-XXXX-004	86.55
	4000	Motor Seal Kit	109-XXXX-004; 110-XXXX-004	
CHR-61236	4000	Shaft Seal Kit	109-XXXX-004; 110-XXXX-004	137.11
CHR-61237	6000	Shaft Seal Kit	112-XXXX-005; 113-XXXX-005	136.35
CHR-61238	6000	Rear Motor Kit	112-XXXX-005; 113-XXXX-005	106.83
CHR-61252	2000 Note: Not for 106- Bearingless motors.	Buna N Seal Kit	104-XXXX-003;-004;-005 105-XXXX-003;-004;-005	196.90
CHR-61258	2000	Buna N Seal Kit	104-XXXX-006; 105-XXXX-006	203.31
CHR-61259	2000 Note: Does not fit 106-XXXX-003;-004;-005 motors	Buna N Seal Kit	106-XXXX-006	96.13
CHR-61281	4000	Shaft Seal Kit	109-XXXX-006; 110-XXXX-006; 111-XXXX-006	222.56
CHR-64417	Steering unit with external shaft	Buna N Seal Kit		78.33
CHR-64418	Steering unit with internal spline	Buna N Seal Kit		149.85
	2000 Series -006 Design High Pressure Shaft Seal	Buna N Seal Kit		

Hercules Brand Kit Number	List Price
CHR-6405-HSP	\$72.93
CHR-6406-HSP	40.60
CHR-60023-HSP	75.95
CHR-60026-HSP	57.14
CHR-60036-HSP	33.29
CHR-60042-HSP	78.72
CHR-60533-HSP	49.10
CHR-60539-HSP	66.10
CHR-60540-HSP	61.00
CHR-61104-HSP	94.17
CHR-61105-HSP	56.10
CHR-61234-HSP	52.09
CHR-61235-HSP	62.82
CHR-61236-HSP	82.14
CHR-61237-HSP	83.12
CHR-61238-HSP	74.79
CHR-61252-HSP	118.26
CHR-61258-HSP	118.72
CHR-61259-HSP	51.16
CHR-61281-HSP	93.71
CHR-64417-HSP	28.89
CHR-64418-HSP	28.45
CHR-9900462-HSP	95.79

PARKER MOTOR REPAIR KITS

KIT #	DESCRIPTION	PRICE
PKH-SK000170	110 Series LSHT Hydraulic Motor Main Shaft Seal Replacement Kit	\$122.33

STANDARD RS SERIES MOTOR



STANDARD SEAL KITS

KIT #	DESCRIPTION	ITEMS	NET PRICE
WTE-200222001	PS-222001	1 - 10	\$97.76
WTE-200222002	PS-222002	1 - 8	69.54
WTE-200222003	PS-222003	9 - 10	62.93

DESCRIPTION	EXPLODED VIEW ITEM #
DUST SEAL	1
SPLIT WIRE RING	2
METAL BACKUP SHIM	3
HIGH PRESSURE SEAL	4
METAL BACKUP SHIM	5
TEFLON BACKUP SHIM	6
SHAFT SEAL	7
BODY SEALS (3)	8
SEAL CARRIER	9
THRUST WASHER	10

HOUSING TYPES

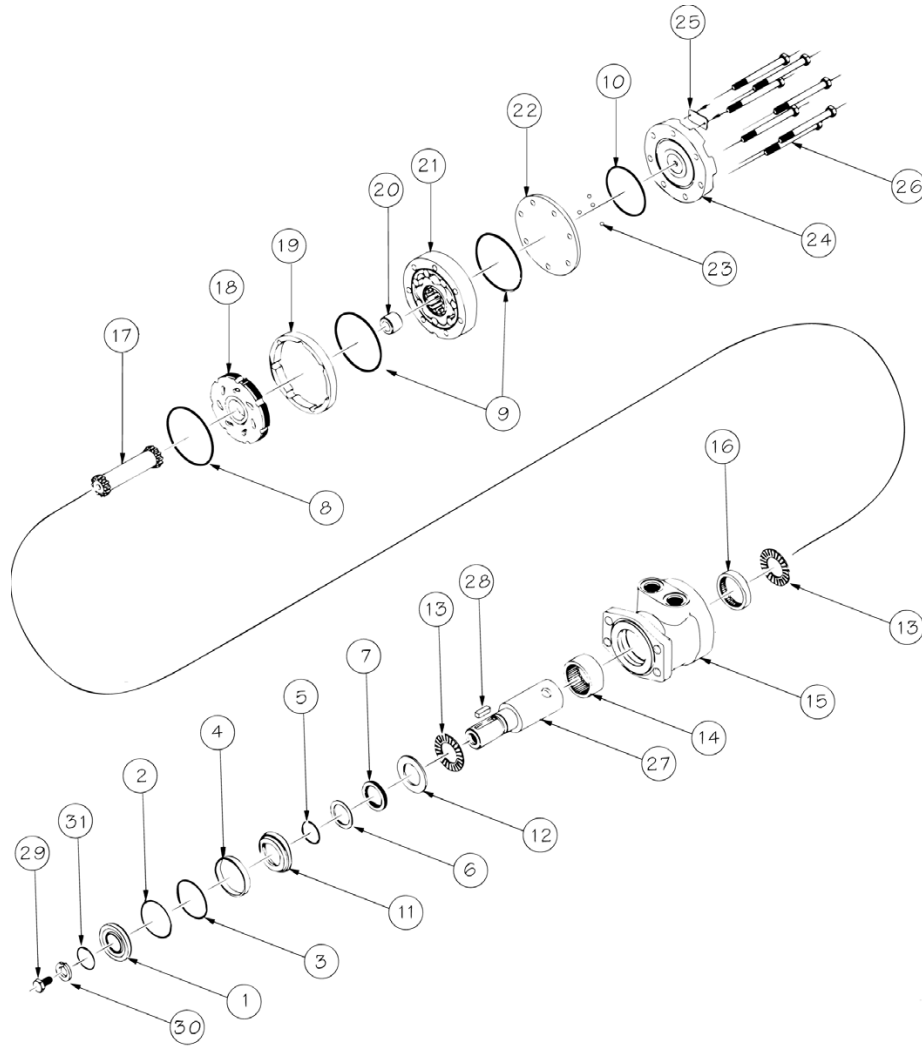
DESCRIPTION	DESCRIPTION
#01 4-HOLE W/ 1/2" NPT	#18 4-HOLE REAR MOUNT W/ 9/16 O-RING
#02 4-HOLE W/ 7/8" O-RING	#20 2-HOLE ALIGNED W/ 1/2" BSPF
#03 2-HOLE W/ 1/2" NPT	#21 4-HOLE METRIC MOUNT W/ 1/2" BSPF
#04 2-HOLE W/ 7/8" O-RING	#25 4-HOLE METRIC MNT. W/ MANIFOLD PORTS
#05 4-HOLE W/ MANIFOLD PORTS	#26 2-HOLE METRIC MNT. W/ MANIFOLD PORTS
#06 2-HOLE W/ MANIFOLD PORTS	#27 2-HOLE W/OFFSET BSPF AND .200 PILOT
#07 2-HOLE W/ OFFSET 1/2" BSPF	#29 2-HOLE W/OFFSET MNFLD. AND .200 PILOT
#09 2-HOLE W/ OFFSET MNFLD. W/ 1/2" BSPF	#30 2-HOLE W/OFFSET 7/8" O-RING & RLF. PORT
#10 2-HOLE W/ALIGNED 1/2" BSPF	#32 4-HOLE W/OFFSET 7/8" O-RING & RLF. PORT
#11 6-HOLE W/ 7/8" O-RING	#34 2-HOLE W/ 7/8" O-RING
#12 4-HOLE W/ MILLED MANIFOLD	#37 2-HOLE W/ 1/2" BSPF W/ RLF PRT & .200 PLT.
#13 2-HOLE W/ MILLED MANIFOLD	#40 2-HOLE W/ALIGNED 1/2" BSPF & .200 PILOT
#14 6-HOLE W/ 1/2" NPT	#46 2-HOLE W/METRIC MNFLD. MNT. & .200 PILOT
#17 2-HOLE MLD. & SPTFCD. W/OFS. 1/2" BSPF	

MOTOR REPAIR KITS

STANDARD RE SERIES MOTOR



WHITE MOTORS



MOTOR REPAIR KITS

STANDARD SEAL KITS

KIT #	DESCRIPTION	ITEMS	NET PRICE
WTE-500444001	PE-444001	1 - 12	\$132.94
WTE-500444002	PE-444002	1 - 10	82.38
WTE-500444003	PE-444003	11 - 12	85.93

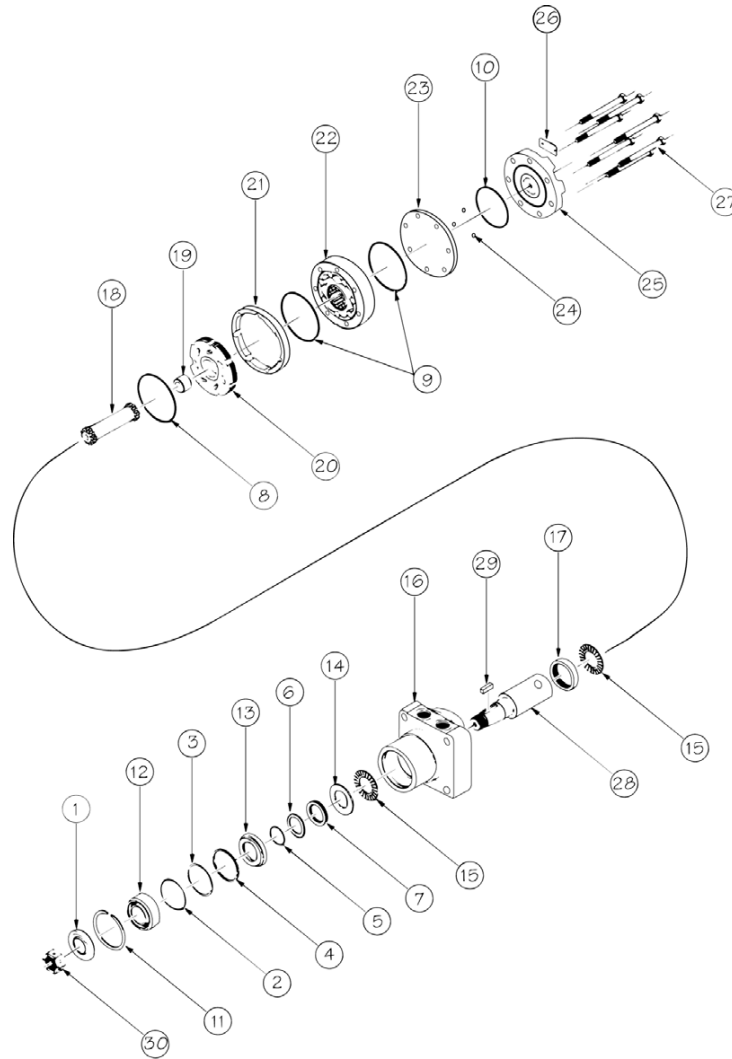
DESCRIPTION	EXPLODED VIEW ITEM #
DUST SEAL	1
SPLIT WIRE RING	2
METAL BACKUP SHIM	3
HIGH PRESSURE SEAL	4
METAL BACKUP SHIM	5
TEFLON BACKUP SHIM	6
SHAFT SEAL	7
REAR HOUSING SEAL	8
BODY SEALS (2)	9
ENDCOVER SEAL	10
SEAL CARRIER	11
THRUST WASHER	12

HOUSING TYPES

DESCRIPTION
#02 4-HOLE W/O PILOT & RS 4-HOLE BLT PTRN.
#05 SETBACK W/ 1/2" BSPF
#06 4-HOLE SAE "A" STYLE W/ 1/2" BSPF
#07 SETBACK W/ 7/8" O-RING
#08 4-HOLE SAE "A" STYLE W/ 7/8" O-RING
#11 SETBACK W/ BRAKE MOUNT W/ 7/8" O-RING
#16 2-HOLE SAE "A" STYLE W/ 7/8" O-RING
#17 2-HOLE SAE "A" STYLE W/ 1/2" BSPF

DESCRIPTION
#18 6-HOLE SAE "A" STYLE W/ 7/8" O-RING
#19 6-HOLE SAE "A" STYLE W/ 1/2" BSPF
#35 SETBACK W/RELIEF PRT W/ 1/2" BSPF
#36 4-HOLE SAE "A" W/RLF. PRT & 1/2" BSPF
#37 SETBACK W/RLF. PORT & 7/8" O-RING
#38 4-HOLE SAE "A" W/RLF. PRT & 7/8" O-RING
#48 6-HOLE SAE "A" W/RLF. PRT & 7/8" O-RING
#49 6-HOLE SAE "A" W/RLF. PRT & 1/2" BSPF

RE 72 MM BEARING MOTOR



STANDARD SEAL KITS

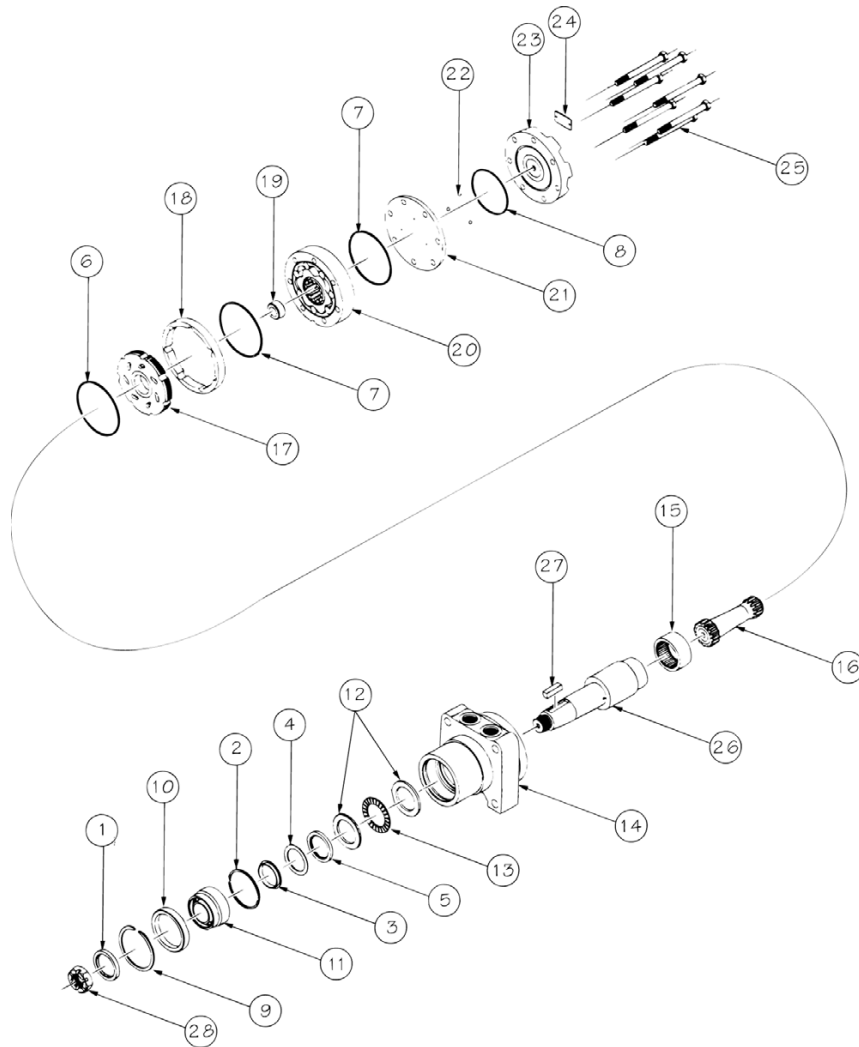
KIT #	DESCRIPTION	ITEMS	PRICE
WTE-500444001	PE-444001	1 - 12	\$132.94
WTE-500444002	PE-444002	1 - 10	82.38
WTE-500444003	PE-444003	11 - 12	85.93

DESCRIPTION	EXPLODED VIEW ITEM #
DUST SEAL	1
SPLIT WIRE RING	2
METAL BACKUP SHIM	3
HIGH PRESSURE SEAL	4
METAL BACKUP SHIM	5
TEFLON BACKUP SHIM	6
SHAFT SEAL	7
REAR HOUSING SEAL	8
BODY SEALS (2)	9
ENDCOVER SEAL	10
SEAL CARRIER	11
THRUST WASHER	12

HOUSING TYPES

DESCRIPTION
#09 SETBACK W/ 7/8" O-RING
#14 SETBACK W/ 1/2" BSPF
#15 SETBACK W/TURNED PILOT W/ 7/8" O-RING
#22 SETBACK W/"C" FRONT MNT. W/ 7/8" O-RING
#24 SETBACK W/"C" FRONT MNT. W/ 1/2" BSPF
#39 SETBACK W/RELIEF PORT W/ 7/8" O-RING
#44 SETBACK W/RELIEF PORT W/ 1/2" BSPF

RE 1.5" BEARING MOTOR



STANDARD SEAL KITS

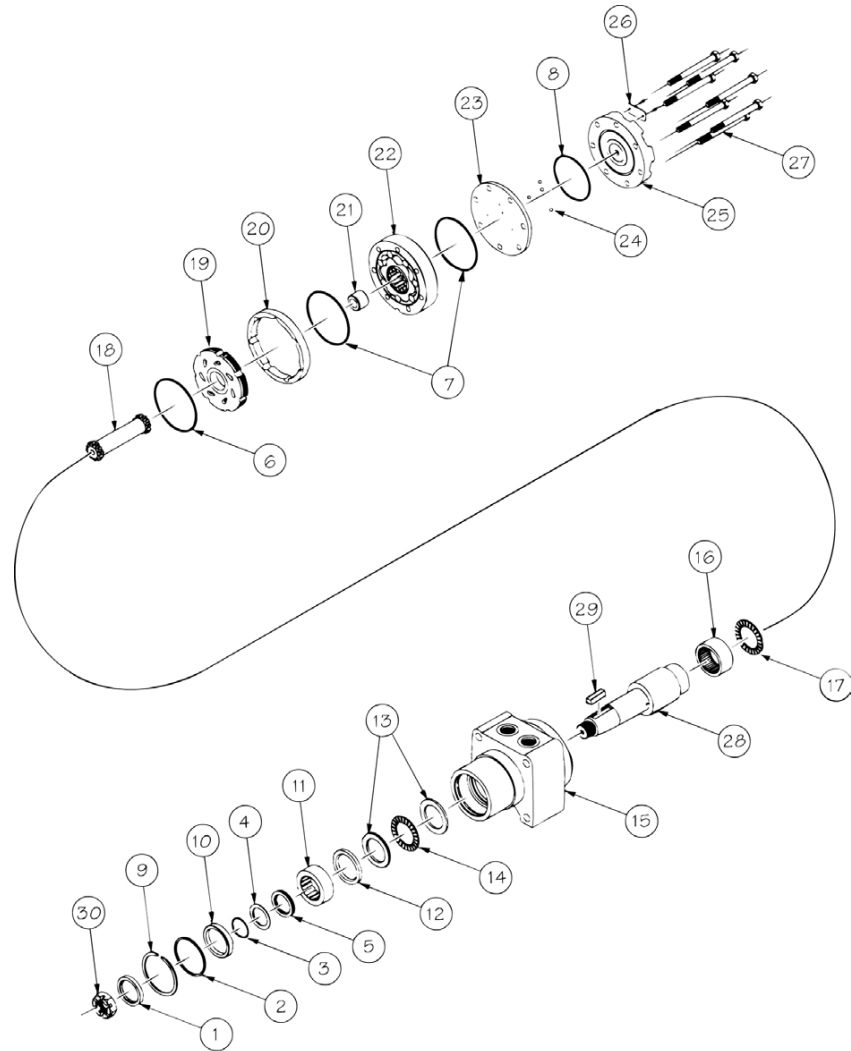
KIT #	DESCRIPTION	ITEMS	NET PRICE
WTE-700666000	PT-666000	1 - 8	\$94.77

DESCRIPTION	EXPLODED VIEW ITEM #
DUST SEAL	1
HIGH PRESSURE SEAL	2
METAL BACKUP SHIM	3
TEFLON BACKUP SEAL	4
SHAFT SEAL	5
REAR HOUSING SEAL	6
BODY SEALS (2)	7
ENDCOVER SEAL	8

HOUSING TYPES

DESCRIPTION
#20 SETBACK W/ 7/8" O-RING
#21 SETBACK W/ 1/2" BSP.F
#23 SETBACK W/ SAE "C" FRONT MOUNT W/ 7/8" O-RING
#25 SETBACK W/ SAE "C" FRONT MOUNT W/ 1/2" BSP.F
#50 SETBACK W/ RELIEF PORT AND 7/8" O-RING
#53 SETBACK W/ SAE "C" FRONT MOUNT W/RELIEF PORT & 7/8" O-RING

RE 1.5" BEARING WHEEL MOTOR



STANDARD SEAL KITS

KIT #	DESCRIPTION	ITEMS	NETPRICE
WTE-700666000	PT-666000	1 - 8	\$94.77

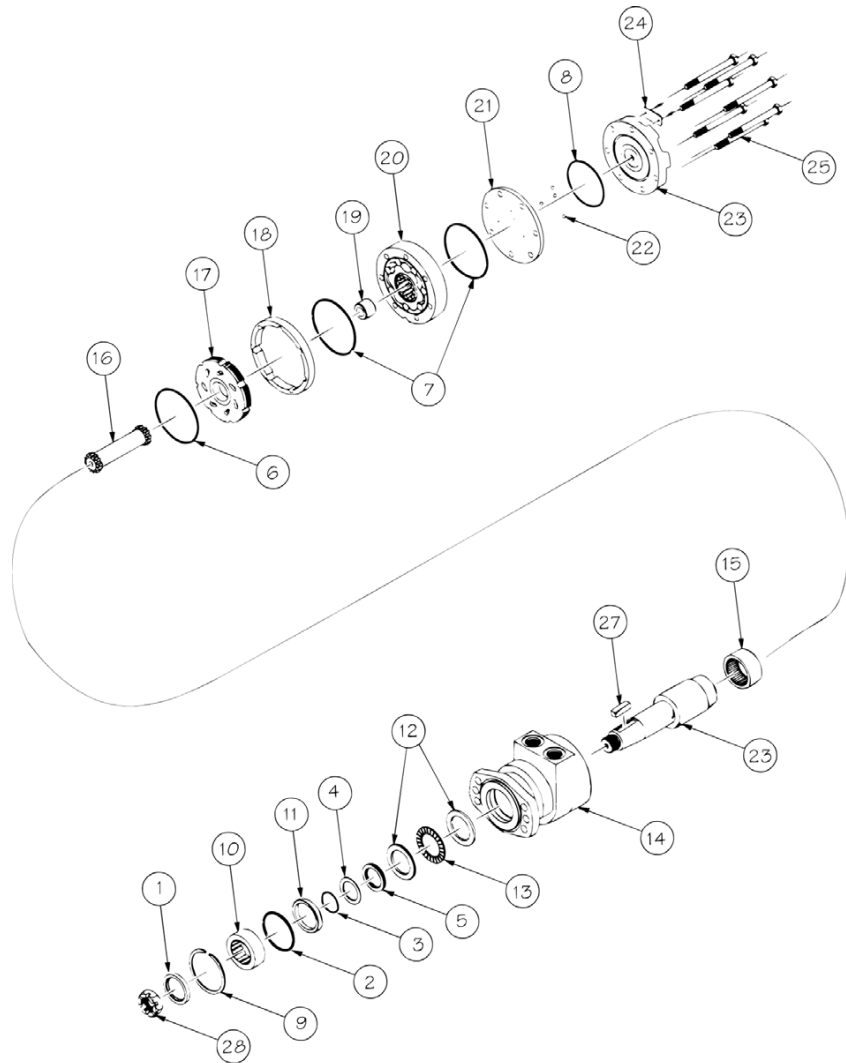
DESCRIPTION	EXPLODED VIEW ITEM #
DUST SEAL	1
HIGH PRESSURE SEAL	2
METAL BACKUP SHIM	3
TEFLON BACKUP SEAL	4
SHAFT SEAL	5
REAR HOUSING SEAL	6
BODY SEALS (2)	7
ENDCOVER SEAL	8

HOUSING TYPES

DESCRIPTION
#67 WHEEL MOTOR W/ 7/8" O-RING PORTS

MOTOR REPAIR KITS

RE 1.5" BEARING SAE "A" STYLE FLANGE MOTOR



MOTOR REPAIR KITS

STANDARD SEAL KITS

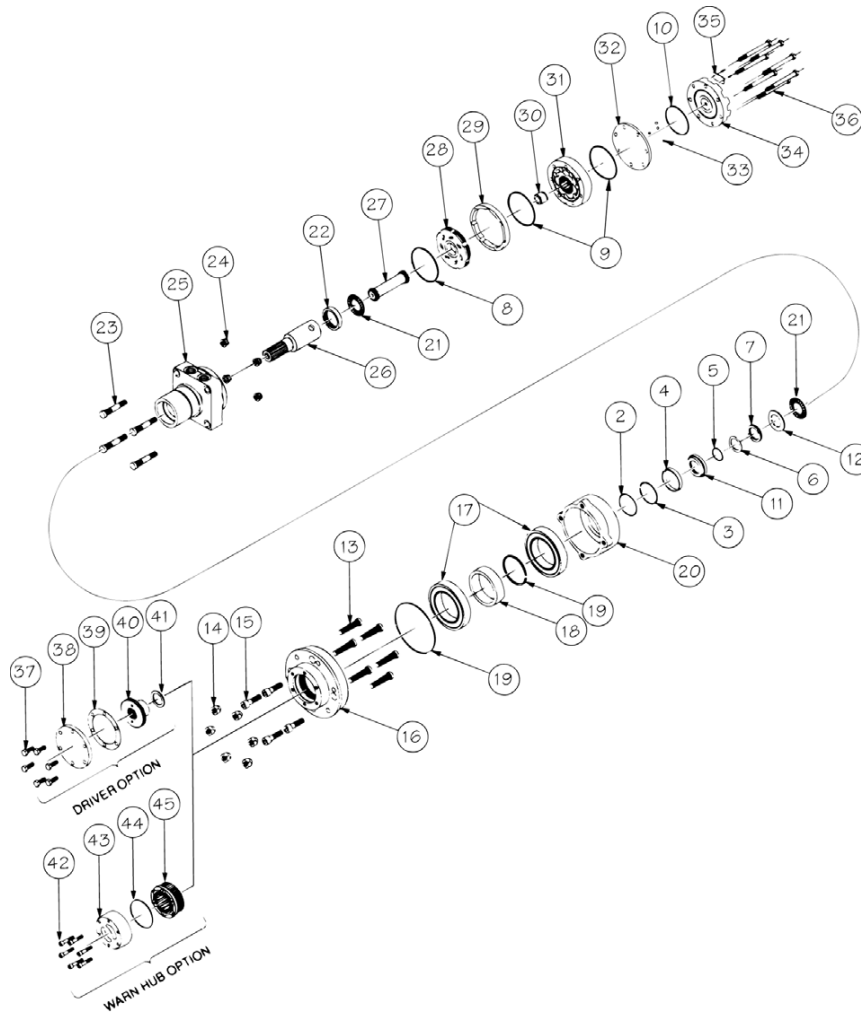
KIT #	DESCRIPTION	ITEMS	NET PRICE
WTE-700666000	PT-666000	1 - 8	\$94.77

DESCRIPTION	EXPLODED VIEW ITEM #
DUST SEAL	1
HIGH PRESSURE SEAL	2
METAL BACKUP SHIM	3
TEFLON BACKUP SHIM	4
SHAFT SEAL	5
REAR HOUSING SEAL	6
BODY SEALS (2)	7
ENDCOVER SEAL	8

HOUSING TYPES

DESCRIPTION
#62 6-HOLE SAE "A" STYLE FLANGE W/ 7/8" O-RING
#66 6-HOLE SAE "A" STYLE FLANGE W/ 1/2" BSP.F
#68 6-HOLE SAE "A" STYLE FLANGE W/ MNFLD. PORTS
#92 6-HOLE SAE "A" STYLE FLANGE W/ 7/8" O-RING & RLF. PRT.
#96 6-HOLE SAE "A" STYLE FLANGE W/ 1/2" BSP.F & RLF. PRT.

RE 125 MM BEARING MOTOR



STANDARD SEAL KITS

KIT #	DESCRIPTION	ITEMS	NETPRICE
WTE-500444125	PE-444125	1 - 10, 39	\$116.04
WTE-500444003	PE-444003	11 - 12	85.93

DESCRIPTION	EXPLODED VIEW ITEM #
FLANGE SEAL	1
WIRE RING	2
METAL BACKUP SHIM	3
HIGH PRESSURE SEAL	4
METAL BACKUP SHIM	5
TEFLON BACKUP SEAL	6
SHAFT SEAL	7
REAR HOUSING SEAL	8
BODY SEAL	9
ENDCOVER SEAL	10
PAPER GASKET	39
SEAL CARRIER	11
THRUST WASHER	12

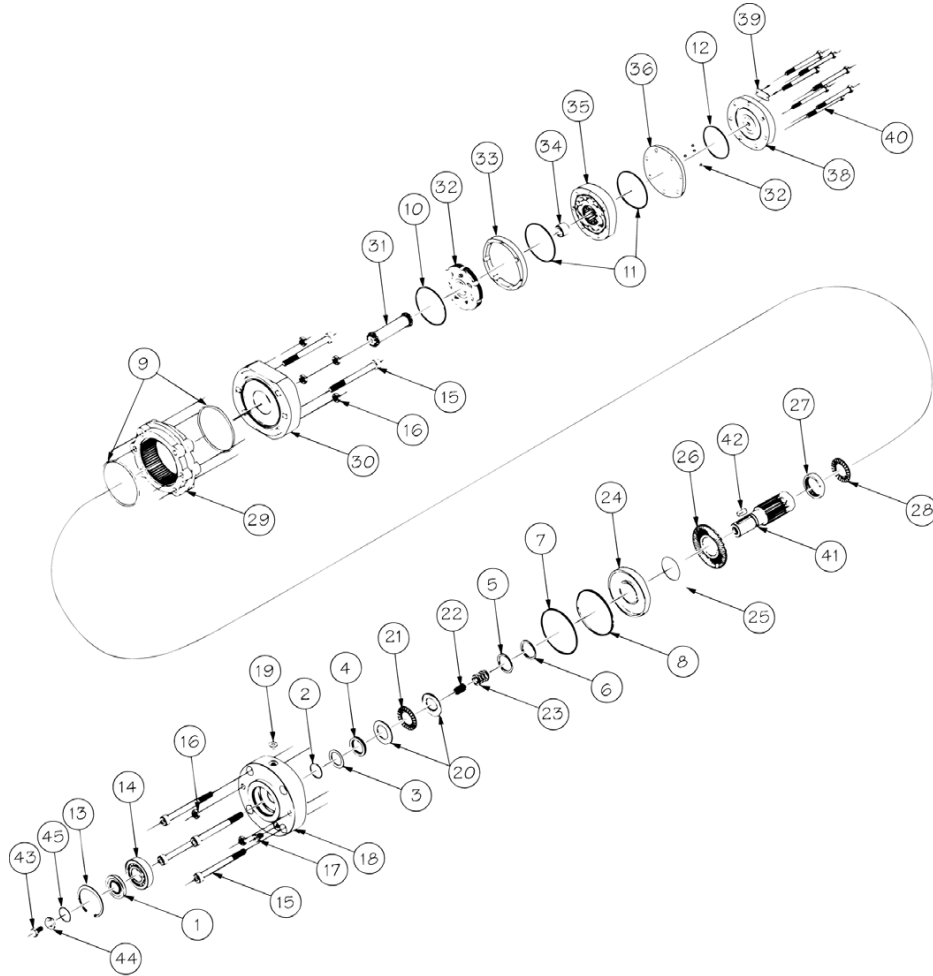
HOUSING TYPES

DESCRIPTION
#10 SETBACK W/ 7/8" O-RING

RE 12 HOUSING BRAKE MOTOR



WHITE MOTORS



STANDARD SEAL KITS

KIT #	DESCRIPTION	ITEMS	NET PRICE
WTE-500444500	PE-444500	1 - 12	\$190.39

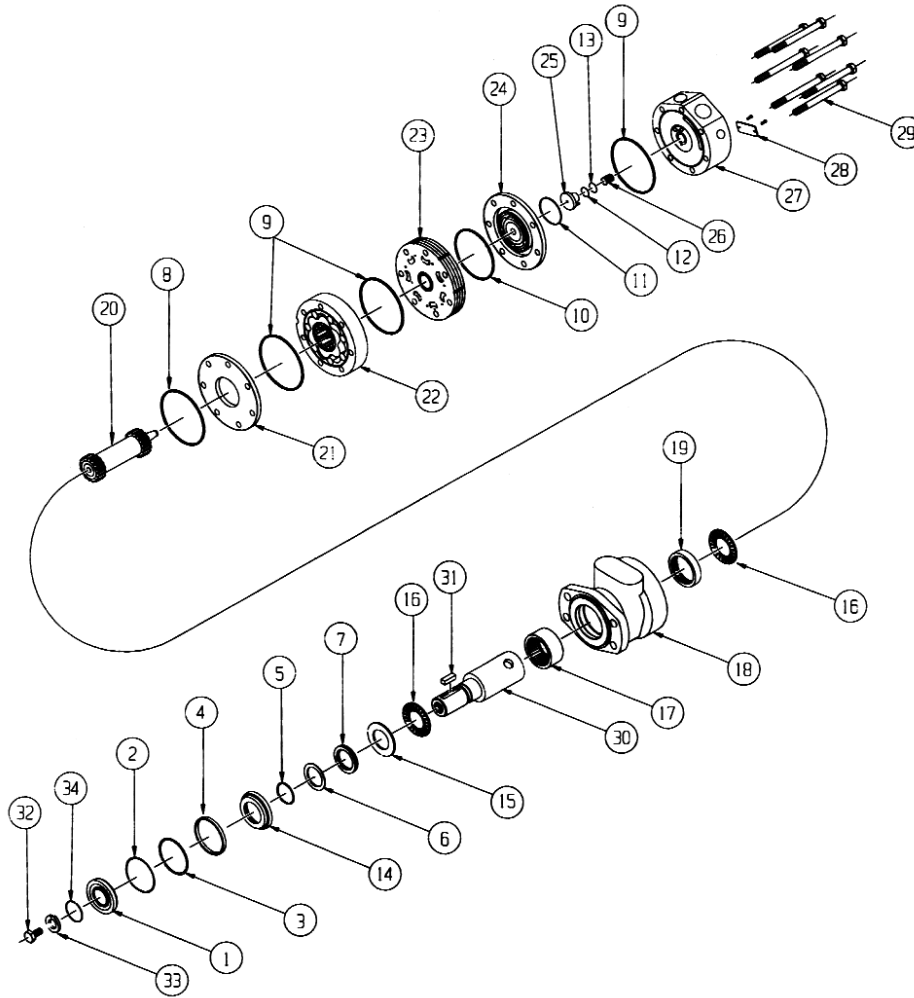
DESCRIPTION	EXPLODED VIEW ITEM #
DUST SEAL	1
METAL BACKUP SHIM	2
TEFLON BACKUP SEAL	3
SHAFT SEAL	4
SMALL O-RING PISTON SEAL	5
SMALL TEFLON PISTON SEAL	6
LARGE O-RING PISTON SEAL	7
LARGE TEFLON PISTON SEAL	8
HOUSING SEALS (2)	9
REAR HOUSING SEAL	10
BODY SEALS (2)	11
ENDCOVER SEAL	12

HOUSING TYPES

DESCRIPTION
FRONT HOUSING SECTION (INCLUDES ITEMS #1, 13, 14 & 18)
CENTER HOUSING SECTION
REAR HOUSING SECTION (INCLUDES ITEMS #27 & 30)

MOTOR REPAIR KITS

STANDARD DR SERIES MOTOR



STANDARD SEAL KITS

KIT #	DESCRIPTION	ITEMS	NET PRICE
WTE-600555000	PR-555000	1 - 13	\$162.78
WTE-500444003	PE-444003	14 - 15	85.93

DESCRIPTION	EXPLODED VIEW ITEM #
DUST SEAL	1
SPLIT WEAR RING	2
METAL BACKUP SHIM	3
HIGH PRESSURE SEAL	4
METAL BACK UP SHIM	5
TEFLON BACKUP SEAL	6
SHAFT SEAL	7
REAR HOUSING SEAL	8
BODY SEALS (3)	9
MANIFOLD SEALS	10
COMMUTATOR SEAL	11
O-RING SEAL	12
TEFLON BACKUP SEAL	13
SEAL CARRIER	14
THRUST WASHER	15

HOUSING TYPES

DESCRIPTION
#07 SETBACK W/ 7/8" O-RING
#08-4-HOLES SAE "A" STYLE
#11-SETBACK W/BRAKE MOUNT
#16-2-HOLE SAE "A" STYLE
#18-6-HOLE SAE "A" STYLE

NOTES

NOTES

Parker / Commercial Intertech and Parker / Gresen Valve Repair Kits

Contents	Page
Parker / Commercial Valve Repair Kits	1194
Parker / Gresen Valve Repair Kits	1194
• 25P & V42	1194
• SP, SPK & SSK	1194
• 300 & 400	1194

PARKER / COMMERCIAL VALVE SERVICE KITS

VALVE SERVICE KITS		
CM-391-1803-030	Valve Series A20 Service Kit	\$8.53
CM-391-1803-201	Valve Series A35 Service Kit	41.73

PARKER / GRESEN VALVE SERVICE KITS

Part Number	Bill Material	Description	Price
25P & V42 CONTROL VALVES			
GR-K-7001	6432001	Seal Kit, One Section Only	\$269.67
SP, SPK & SSK VALVES			
GR-K-2001	6459001	Seal Kit-1 spool valve w/adjustment relief	\$107.55
GR-K-2002	6458001	Seal Kit-2 spool valve w/adjustable relief	250.33
GR-K-2003	6460001	Seal Kit-3 spool valve w/adjustable relief	453.89
GR-K-2029	12759001	Standard Relief Kit, SP	423.28
GR-K-2030	12758001	High Pressure Relief Kit, SP	544.89
300 & 400 CONTROL VALVES			
GR-K-3001	6467001	Spool Seals	\$8.27

PARKER / GRESEN VALVE REPAIR PARTS

Part Number	Description	Qty	Net Price
GR-401272	O-RINGS	50	\$0.07
GR-401273	O-RINGS	50	0.07
GR-404463	O-RINGS	50	0.07
GR-405393	O-RINGS	50	0.29
GR-405688	O-RINGS	50	0.30
GR-406093	O-RINGS	50	0.07
GR-406265	O-RINGS	50	0.03
GR-406270	O-RINGS	50	0.07
GR-406460	O-RINGS	50	0.08
GR-406484	O-RINGS	50	0.07
GR-406725	O-RINGS	50	0.30
GR-406814	O-RINGS	50	0.37
GR-407229	O-RINGS	50	0.18
GR-407328	O-RINGS	50	0.07
GR-407342	O-RINGS	50	0.10
GR-407347	O-RINGS	50	0.11
GR-408870	O-RINGS	50	0.08
GR-493127	O-RINGS	50	0.11

Appendix

Contents

Page

Metric / Inch Conversion Table

1196 - 1197

METRIC / INCH CONVERSION TABLE

Inches		Millimeter
Fractions	Decimals	
—	.0004	.01
—	.004	.10
—	.01	.25
1/64	.0156	.397
—	.0197	.50
—	.0295	.75
1/32	.03125	.794
—	.0394	1.0
3/64	.0469	1.191
—	.059	1.5
1/16	.062	1.588
5/64	.0781	1.984
—	.0787	2.0
3/32	.094	2.381
—	.0984	2.5
7/64	.109	2.778
—	.1181	3.0
1/8	.125	3.175
—	.1378	3.5
9/64	.141	3.572
5/32	.156	3.969
—	.1575	4.0
11/64	.172	4.366
—	.177	4.5
3/16	.1875	4.763
—	.1969	5.0
13/64	.203	5.159
—	.2165	5.5
7/32	.219	5.556
15/64	.234	5.953
—	.2362	6.0
1/4	.250	6.350
—	.2559	6.5
17/64	.2656	6.747
—	.2756	7.0
9/32	.281	7.144
—	.2953	7.5
19/64	.297	7.541
5/16	.312	7.938
—	.315	8.0
21/64	.328	8.334
—	.335	8.5
11/32	.344	8.731
—	.3543	9.0
23/64	.359	9.128

Inches		Millimeter
Fractions	Decimals	
—	.374	9.5
3/8	.375	9.525
25/64	.391	9.922
—	.3937	10.0
13/32	.406	10.319
—	.413	10.5
27/64	.422	10.716
—	.4331	11.0
7/16	.438	11.113
29/64	.453	11.509
15/32	.469	11.906
—	.4724	12.0
31/64	.484	12.303
—	.492	12.5
1/2	.500	12.700
—	.5118	13.0
33/64	.5156	13.097
17/32	.531	13.494
35/64	.547	13.891
—	.5512	14.0
9/16	.563	14.288
—	.571	14.5
37/64	.578	14.684
—	.5906	15.0
19/32	.594	15.081
39/64	.609	15.478
5/8	.625	15.875
—	.6299	16.0
41/64	.6406	16.272
—	.6496	16.5
21/32	.658	16.669
—	.6693	17.0
43/64	.672	17.066
11/16	.6875	17.463
45/64	.703	17.859
—	.7087	18.0
23/32	.719	18.256
—	.7283	18.5
47/64	.734	18.653
—	.7480	19.0
3/4	.750	19.050
49/64	.7656	19.447
25/32	.781	19.844
—	.7874	20.0
51/64	.797	20.241

Inches		Millimeter
Fractions	Decimals	
13/16	.8125	20.638
—	.8268	21.0
53/64	.828	21.034
27/32	.844	21.431
55/64	.859	21.828
—	.8661	22.0
7/8	.875	22.225
57/64	.8906	22.622
—	.9055	23.0
29/32	.9062	23.019
59/64	.922	23.416
15/16	.9375	23.813
—	.9449	24.0
61/64	.953	24.209
31/32	.969	24.606
—	.9843	25.0
63/64	.9844	25.003
1	1.000	25.400
—	1.0236	26.0
1-1/32	1.0312	26.194
1-1/16	1.062	26.988
—	1.063	27.0
1-3/32	1.094	27.781
—	1.1024	28.0
1-1/8	1.125	28.575
—	1.1417	29.0
1-5/32	1.156	29.369
—	1.1811	30.0
1-3/16	1.1875	30.163
1-7/32	1.219	30.956
—	1.2205	31.0
1-1/4	1.250	31.750
—	1.2598	32.0
1-9/32	1.281	32.544
—	1.2992	33.0
1-5/16	1.312	33.338
—	1.3386	34.0
1-11/32	1.344	34.131
1-3/8	1.375	34.925
—	1.3779	35.0
1-13/32	1.406	35.719
—	1.4173	36.0
1-7/16	1.438	36.513
—	1.4567	37.0
1-15/32	1.469	37.306

Inches		Millimeter
Fractions	Decimals	
—	1.4961	38.0
1-1/2	1.500	38.100
1-17/32	1.531	38.894
—	1.5354	39.0
1-9/16	1.562	39.688
—	1.5748	40.0
1-19/32	1.594	40.481
—	1.6142	41.0
1-5/8	1.625	41.275
—	1.6535	42.0
1-21/32	1.6562	42.069
1-11/16	1.6875	42.863
—	1.6929	43.0
1-23/32	1.719	43.656
—	1.7323	44.0
1-3/4	1.750	44.450
—	1.7717	45.0
1-25/32	1.781	45.244
—	1.8110	46.0
1-13/16	1.8125	46.038
1-27/32	1.844	46.831
—	1.8504	47.0
1-7/8	1.875	47.625
—	1.8898	48.0
1-29/32	1.9062	48.419
—	1.9291	49.0
1-15/16	1.9375	49.213
—	1.9685	50.0
1-31/32	1.969	50.006
2	2.000	50.800
—	2.0079	51.0
2-1/32	2.03125	51.594
—	2.0472	52.0
2-1/6	2.062	52.388
—	2.0866	53.0
2-3/32	2.094	53.181
2-1/8	2.125	53.975
—	2.126	54.0
2-5/32	2.156	54.769
—	2.165	55.0
2-3/16	2.1875	55.563
—	2.2047	56.0
2-7/32	2.219	56.356
—	2.244	57.0
2-1/4	2.250	57.150

METRIC / INCH CONVERSION TABLE

Inches		Millimeter	Inches		Millimeter	Inches		Millimeter	Inches		Millimeter
Fractions	Decimals		Fractions	Decimals		Fractions	Decimals		Fractions	Decimals	
2-9/32	2.281	57.944	3-1/16	3.062	77.788	3-27/32	3.844	97.631	—	7.4803	190.0
—	2.2835	58.0	—	3.0709	78.0	—	3.8583	98.0	7-1/2	7.500	190.500
2-5/16	2.312	58.738	3-3/32	3.094	78.581	3-7/8	3.875	98.425	—	7.8740	200.0
—	2.3228	59.0	—	3.1102	79.0	—	3.8976	99.0	8	8.000	203.200
2-11/32	2.344	59.531	3-1/8	3.125	79.581	3-29/32	3.9062	99.219	—	8.2677	210.0
—	2.3622	60.0	—	3.1496	80.0	—	3.9370	100.0	8-1/2	8.500	215.900
2-3/8	2.375	60.325	3-5/32	3.156	80.169	3-15/16	3.9375	100.013	—	8.6614	220.0
—	2.4016	61.0	3-3/16	3.1875	80.963	3-31/32	3.969	100.806	9	9.000	228.600
2-13/32	2.406	61.119	—	3.1890	81.0	—	3.9764	101.0	—	9.0551	230.0
2-7/16	2.438	61.913	3-7/32	3.219	81.756	4	4.000	101.600	—	9.4488	240.0
—	2.4409	62.0	—	3.2283	82.0	4-1/16	4.062	103.188	9-1/2	9.500	241.300
2-15/32	2.469	62.706	3-1/4	3.250	82.550	4-1/8	4.125	104.775	—	9.8425	250.0
—	2.4803	63.0	—	3.2677	83.0	—	4.1338	105.0	10	10.000	254.001
2-1/2	2.500	63.500	3-9/32	3.281	83.344	4-3/16	4.1875	106.363	—	10.2362	260.0
—	2.5197	64.0	—	3.3071	84.0	4-1/4	4.250	107.950	—	10.6299	270.0
2-17/32	2.531	64.294	3-5/16	3.312	84.1377	4-5/16	4.312	109.538	11	11.000	279.401
—	2.559	65.0	3-11/32	3.344	84.9314	—	4.3307	110.0	—	11.0236	280.0
2-9/16	2.562	65.088	—	3.3464	85.0	4-3/8	4.375	111.125	—	11.4173	290.0
2-19/32	2.594	65.881	3-3/8	3.375	85.725	4-7/16	4.438	112.713	—	11.8110	300.0
—	2.5984	66.0	—	3.3858	86.0	4-1/2	4.500	114.300	12	12.000	304.801
2-5/8	2.625	66.675	3-13/32	3.406	86.519	—	4.5275	115.0	13	13.000	330.201
—	2.638	67.0	—	3.4252	87.0	4-9/16	4.562	115.888	—	13.7795	350.0
2-21/32	2.656	67.469	3-7/16	3.438	87.313	4-5/8	4.625	117.475	14	14.000	355.601
—	2.6772	68.0	—	3.4648	88.0	4-11/16	4.6875	119.063	15	15.000	381.001
2-11/16	2.6875	68.263	3-15/32	3.469	88.108	—	4.7244	120.0	—	15.7480	400.0
—	2.7165	69.0	3-1/2	3.500	88.900	4-3/4	4.750	120.650	16	16.000	406.401
2-23/32	2.719	69.056	—	3.5039	89.0	4-13/16	4.8125	122.238	17	17.000	431.801
2-3/4	2.750	69.850	3-17/32	3.531	89.694	4-7/8	4.875	123.825	—	17.7165	450.0
—	2.7559	70.0	—	3.5433	90.0	—	4.9212	125.0	18	18.000	457.201
2-25/32	2.781	70.6439	3-9/16	3.562	90.4877	4-15/16	4.9375	125.413	19	19.000	482.601
—	2.7953	71.0	—	3.5827	91.0	5	5.000	127.000	—	19.6850	500.0
2-13/16	2.8125	71.4376	3-19/32	3.594	91.281	—	5.1181	130.0	20	20.000	508.001
—	2.8346	72.0	—	3.622	92.0	5-1/4	5.250	133.350			
2-27/32	2.844	72.2314	3-5/8	3.625	92.075	5-1/2	5.500	139.700			
—	2.8740	73.0	3-21/32	3.656	92.869	—	5.5118	140.0			
2-7/8	2.875	73.025	—	3.6614	93.0	5-3/4	5.750	146.050			
2-29/32	2.9062	73.819	3-11/16	3.6875	93.663	—	5.9055	150.0			
—	2.9134	74.0	—	3.7008	94.0	6	6.000	152.400			
2-15/16	2.9375	74.613	3-23/32	3.719	94.456	6-1/4	6.250	158.750			
—	2.9527	75.0	—	3.7401	95.0	—	6.2992	160.0			
2-31/32	2.969	75.406	3-3/4	3.750	95.250	6-1/2	6.500	165.100			
—	2.9921	76.0	—	3.7795	96.0	—	6.6929	170.0			
3	3.000	76.200	3-25/32	3.781	96.044	6-3/4	6.750	171.450			
3-1/32	3.0312	76.994	3-13/16	3.8125	96.838	7	7.000	177.800			
—	3.0315	77.0	—	3.8189	97.0	—	7.0866	180.0			

NOTES

NOTES

