

155

ADDITIONAL PRODUCT
*Polyester Static Seal
 for Bore Sealing Applications*

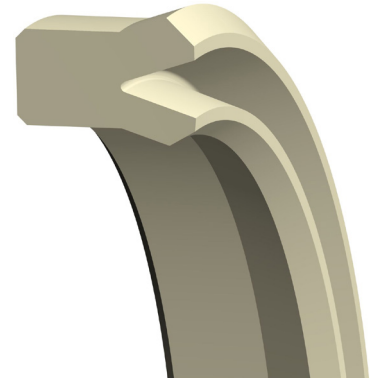
DESIGN

The Hallite 155 U-ring static seal designed to seal the joint between the gland and the cylinder bore. The Hallite 155 replaces the conventional O-ring and back-up ring combination.

Through its special design and polyester material compound, the seal will work with a maximum extrusion gap of 0.40 mm at 500 bar pressure.

Every nominal diameter of the Hallite 155 is suitable for a range of bore diameters, ØD₁. See part number range for details.

This seal was developed for water-based, HFA, applications, but can also be used with standard mineral oil fluids.



FEATURES

- Replaces an O-ring and back-up combination
- Provides reliable high pressure sealing

MATERIALS

As standard, this product comes in the following material. Contact your local Hallite technical team if you would like to find out if this profile can be made in a custom material to suit your application. For further material details, please refer to the Hallite Material Table.

MATERIAL OPTIONS	Name	Type	Colour
Standard	TPE 201	TPE	Light Grey

TECHNICAL DETAILS

OPERATING CONDITIONS	METRIC	INCH
HFA Fluids		
Temperature Range	-0°C +60°C	+32°F +140°F
Maximum Pressure	500 bar	7500 psi
Mineral Oil		
Temperature Range	-30°C +100°C	-22°F +212°F
Maximum Pressure	500 bar	7500 psi

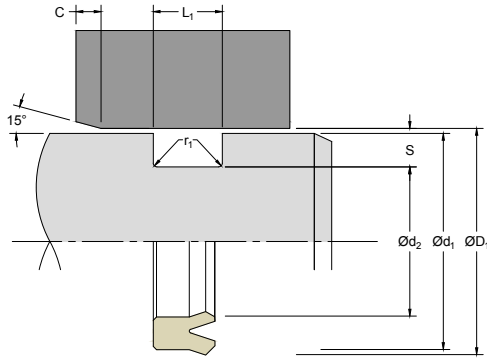
NOTE

Data given are maximum values and can apply depending on specific application. Maximum ratings of temperature, pressure, or operating speeds are dependent on fluid medium, surface, gap value, and other variables such as dynamic or static service. Maximum values are not intended for use together at the same time, e.g. max temperature and max pressure. Please contact your Hallite technical representative for application support.

SURFACE ROUGHNESS	μmRa	μmRz	μmRt	μinRa	μinRz	μinRt
Static Sealing Face $\text{Ø}d_1$	1.6 max	6.3 max	10 max	63 max	250 max	394 max
Static Sealing Face $\text{Ø}d_2$	1.6 max	6.3 max	10 max	63 max	250 max	394 max
Static Housing Faces L_1	3.2 max	10 max	16 max	125 max	394 max	630 max

RADII			
Groove Section $\leq S$ mm	4.00	5.60	6.80
Min Chamfer C mm	6.00	8.00	10.00
Max Fillet Rad r_1 mm	0.20	0.40	0.40

TOLERANCES	$\text{Ø}d_1$	$\text{Ø}d_2 = \text{Ø}D_1 - 2S$	$\text{Ø}D_1$	L_1
mm	f7	h9	H8	+0.30 -0



155

ADDITIONAL PRODUCT

*Polyester Static Seal
for Bore Sealing Applications*

PART NUMBER RANGE

METRIC				
ØD ₁ RANGE	L ₁	S	NOMINALS	PART No.
72 - 75	8.20	4.00	72 x 64.0 x 8.2	4543600
80 - 85	8.20	4.00	80 x 72.0 x 8.2	4858600
90 - 91	8.20	4.00	90 x 82.0 x 8.2	4525900
92 - 100	8.20	4.00	92 x 84.0 x 8.2	4439800
100 - 105	8.20	4.00	100 x 92.0 x 8.2	4796900
105 - 112	8.20	4.00	105 x 97.0 x 8.2	4788200
112 - 120	8.20	4.00	112 x 104.0 x 8.2	4419500
127 - 135	8.20	4.00	127 x 119.0 x 8.2	4414500
137 - 144	8.20	4.00	137 x 129.0 x 8.2	4383000
145 - 153	8.20	4.00	145 x 137.0 x 8.2	4764700
154 - 164	8.20	4.00	154 x 146.0 x 8.2	4414600
165 - 174	8.20	4.00	165 x 157.0 x 8.2	4777400
175 - 184	8.20	4.00	175 x 167.0 x 8.2	4405400
188 - 197	8.20	4.00	188 x 180.0 x 8.2	4405500
198 - 204	8.20	4.00	198 x 190.0 x 8.2	4759800
205 - 212	8.20	4.00	205 x 197.0 x 8.2	4428300
216 - 225	8.20	4.00	216 x 208.0 x 8.2	4396600
230 - 240	11.20	5.60	230 x 218.8 x 11.2	4432500
242 - 249	11.20	5.60	242 x 230.8 x 11.2	4402600
250 - 260	8.20	4.00	250 x 242.0 x 8.2	4767500
258 - 270	11.20	5.60	258 x 246.8 x 11.2	4405600
274 - 286	11.20	5.60	274 x 262.8 x 11.2	4732600
284 - 290	11.20	5.60	284 x 272.8 x 11.2	4797000
290 - 300	11.20	5.60	290 x 278.8 x 11.2	4414700
300 - 311	11.20	5.60	300 x 288.8 x 11.2	4777600
312 - 322	10.30	5.00	312 x 302.0 x 10.3	4712100
320 - 332	11.20	5.60	320 x 308.8 x 11.2	4387000
340 - 350	11.20	5.60	340 x 328.8 x 11.2	4473300
355 - 365	11.20	5.60	355 x 343.8 x 11.2	4756400
370 - 380	11.20	5.60	370 x 358.8 x 11.2	4774700
375 - 385	15.00	6.80	375 x 361.4 x 15.0	4838200
385 - 394	15.00	6.80	385 x 371.4 x 15.0	4773200
395 - 405	15.00	6.80	395 x 381.4 x 15.0	4732700
405 - 415	15.00	6.80	405 x 391.4 x 15.0	4578100
420 - 430	15.00	6.80	420 x 406.4 x 15.0	4777500
430 - 440	15.00	6.80	430 x 416.4 x 15.0	4807500
465 - 475	15.00	6.80	465 x 451.4 x 15.0	4862500
475 - 485	15.00	6.80	475 x 461.4 x 15.0	4820700
500 - 510	15.00	6.80	500 x 486.4 x 15.0	4838300
520 - 530	15.00	6.80	520 x 506.4 x 15.0	4815500

