



## CHARACTERISTICS:

- Balanced.
- Multispring.
- Not dependent on the rotation direction.
- Barrier fluid connections.

## OPERATING LIMITS:

$$d_1 = 25 \div 100 \text{ mm} \quad p = 25 \text{ kg/cm}^2$$

$$v = 16 \text{ m/s} \quad t = -15 \div +200^\circ\text{C} (*)$$

(\*) The temperature resistance depends on the material of the secondary seals used.

The operating limits are defined by the PV factor which is determined for the sealing system characteristics and those of the application.

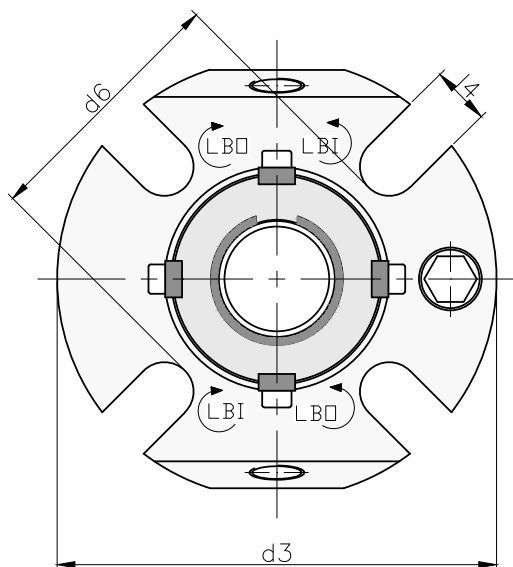
## DESCRIPTION:

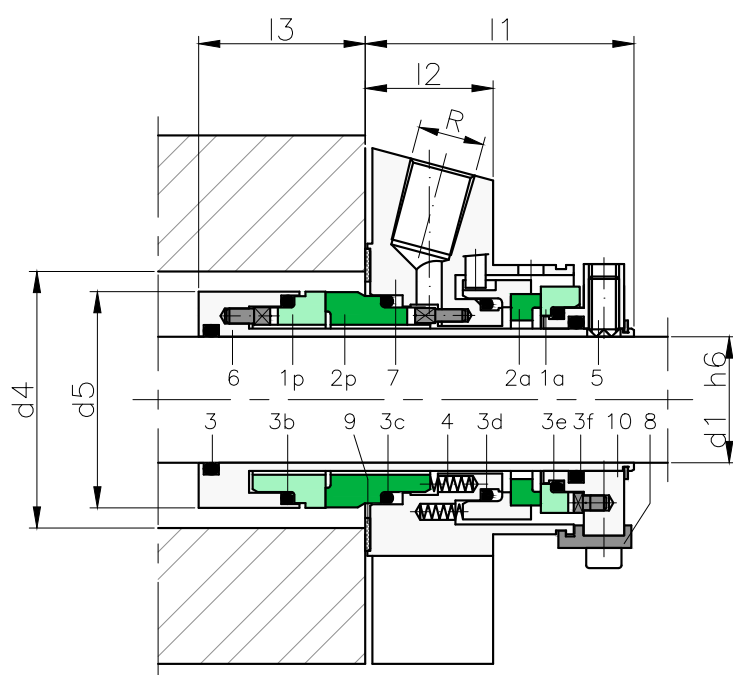
A double cartridge with a "face to face" arrangement which permits operation with barrier fluid in excessive pressure with respect to the working fluid ( $P_1 + 1.5 - 2 \text{ Kgr/cm}^2$ )

The sleeve includes a pumping ring that facilitate the barrier fluid movement. The connections of Liquid barrier IN and OUT have to be connected according the rotation direction.

## CONNECTIONS (R):

From 25 mm to 35 mm: 1/4" NPT.  
From 38 mm to 100 mm: 3/8" NPT.





### COMPONENTS:

- 1p Rotating contact surface product side
- 2p Stationary contact surface product side
- 1a Rotating contact surface atmospheric side
- 2a Stationary contact surface atmospheric side
- 3 O-rings
- 4 Springs
- 5 Set screws
- 6 Sleeve
- 7 Flange
- 8 Setting clips
- 9 Flat gasket
- 10 Drive ring

## DIMENSIONS CHART

Dimensions in mm

| Shaft |                |                        |                        |                |                |                |                |                |                |  |
|-------|----------------|------------------------|------------------------|----------------|----------------|----------------|----------------|----------------|----------------|--|
| mm    | d <sub>3</sub> | d <sub>4</sub><br>min. | d <sub>4</sub><br>máx. | d <sub>5</sub> | d <sub>6</sub> | l <sub>1</sub> | l <sub>2</sub> | l <sub>3</sub> | l <sub>4</sub> |  |
| 25    | 105            | 44                     | 51,5                   | 43             | 62             | 53,4           | 25,4           | 33,1           | 13,2           |  |
| 28    | 105            | 47                     | 52                     | 46             | 61             | 53,4           | 25,4           | 33,1           | 13,2           |  |
| 30    | 105            | 49                     | 56                     | 48             | 67             | 53,4           | 25,4           | 33,1           | 13,2           |  |
| 32    | 108            | 51                     | 57                     | 49,8           | 70             | 53,4           | 25,4           | 33,1           | 13,2           |  |
| 33    | 108            | 51                     | 57                     | 49,8           | 70             | 53,4           | 25,4           | 33,1           | 13,2           |  |
| 35    | 113            | 54                     | 61,5                   | 53             | 72             | 53,4           | 25,4           | 33,1           | 13,2           |  |
| 38    | 123            | 57                     | 66                     | 56             | 75             | 53,4           | 25,4           | 33,1           | 13,2           |  |
| 40    | 123            | 59                     | 68                     | 58             | 77             | 53,4           | 25,4           | 33,1           | 14,2           |  |
| 42    | 133            | 62                     | 69,5                   | 61             | 80             | 53,4           | 25,4           | 33,1           | 14,2           |  |
| 43    | 133            | 62                     | 70,5                   | 61             | 80             | 53,4           | 25,4           | 33,1           | 14,2           |  |
| 45    | 138            | 64                     | 73                     | 61             | 82             | 53,4           | 25,4           | 33,1           | 14,2           |  |
| 48    | 138            | 67                     | 75                     | 65,6           | 85             | 53,4           | 25,4           | 33,1           | 14,2           |  |
| 50    | 148            | 69                     | 78                     | 68             | 87             | 53,4           | 25,4           | 33,1           | 14,2           |  |
| 53    | 148            | 73                     | 87                     | 72             | 97             | 53,4           | 25,4           | 33,1           | 18             |  |
| 55    | 148            | 74                     | 83                     | 73             | 92             | 53,4           | 25,4           | 33,1           | 18             |  |
| 60    | 157            | 79                     | 91                     | 78             | 102            | 53,4           | 25,4           | 33,1           | 18             |  |
| 65    | 163            | 85,7                   | 98,5                   | 84,8           | 109            | 53,4           | 25,4           | 33,1           | 18             |  |
| 70    | 178            | 95                     | 108                    | 93             | 118            | 53,4           | 25,4           | 33,1           | 18             |  |
| 75    | 190            | 101,6                  | 118                    | 100            | 129            | 63,9           | 28             | 44,1           | 18             |  |
| 80    | 195            | 108                    | 124                    | 106,4          | 135            | 63,9           | 28             | 44,1           | 18             |  |
| 85    | 198            | 111,1                  | 128                    | 109,5          | 139            | 63,9           | 28             | 44,1           | 22             |  |
| 90    | 205            | 117,5                  | 135                    | 115,9          | 145            | 63,9           | 28             | 44,1           | 22             |  |
| 95    | 208            | 120,7                  | 138                    | 119,1          | 148            | 63,9           | 28             | 44,1           | 22             |  |
| 100   | 218            | 127                    | 144                    | 125,4          | 154            | 63,9           | 28             | 44,1           | 22             |  |

Dimensions in inches

| Shaft |       |                |                       |                       |                |                |                |                |                |                |
|-------|-------|----------------|-----------------------|-----------------------|----------------|----------------|----------------|----------------|----------------|----------------|
| (")   | mm    | d <sub>3</sub> | d <sub>4</sub><br>min | d <sub>4</sub><br>máx | d <sub>5</sub> | d <sub>6</sub> | l <sub>1</sub> | l <sub>2</sub> | l <sub>3</sub> | l <sub>4</sub> |
| 1,000 | 25,4  | 105,0          | 44,0                  | 51,0                  | 43,0           | 62,0           | 53,4           | 25,4           | 33,1           | 13,2           |
| 1,125 | 28,6  | 105,0          | 47,6                  | 52,1                  | 46,0           | 61,0           | 53,4           | 25,4           | 33,1           | 13,2           |
| 1,250 | 31,8  | 110,0          | 51,0                  | 57,0                  | 49,8           | 70,1           | 53,4           | 25,4           | 33,1           | 13,2           |
| 1,375 | 34,9  | 113,0          | 56,3                  | 61,5                  | 53,0           | 72,1           | 53,4           | 25,4           | 33,1           | 13,2           |
| 1,500 | 38,1  | 123,0          | 57,0                  | 66,0                  | 56,0           | 74,9           | 53,4           | 25,4           | 33,1           | 13,2           |
| 1,625 | 41,3  | 123,0          | 60,3                  | 68,6                  | 59,5           | 78,5           | 53,4           | 25,4           | 33,1           | 14,2           |
| 1,750 | 44,5  | 138,0          | 64,0                  | 73,0                  | 62,5           | 82,0           | 53,4           | 25,4           | 33,1           | 14,2           |
| 1,875 | 47,6  | 138,0          | 67,0                  | 75,0                  | 65,6           | 85,1           | 53,4           | 25,4           | 33,1           | 14,2           |
| 2,000 | 50,8  | 148,0          | 69,0                  | 78,0                  | 68,0           | 87,1           | 53,4           | 25,4           | 33,1           | 14,2           |
| 2,125 | 53,98 | 148,0          | 73,0                  | 87,0                  | 72,0           | 97,0           | 53,4           | 25,4           | 33,1           | 18,0           |
| 2,250 | 57,2  | 157,0          | 76,2                  | 90,4                  | 75,2           | 100,1          | 53,4           | 25,4           | 33,1           | 18,0           |
| 2,375 | 60,3  | 157,0          | 79,4                  | 91,0                  | 78,0           | 102,1          | 53,4           | 25,4           | 33,1           | 18,0           |
| 2,500 | 63,5  | 163,0          | 83,8                  | 96,5                  | 81,6           | 106,2          | 53,4           | 25,4           | 33,1           | 18,0           |
| 2,625 | 66,7  | 163,0          | 85,7                  | 100,0                 | 84,8           | 109,3          | 53,4           | 25,4           | 33,1           | 18,0           |
| 2,750 | 69,9  | 178,0          | 95,0                  | 108,0                 | 93,0           | 118,4          | 53,4           | 25,4           | 33,1           | 18,0           |
| 2,875 | 73,0  | 190,0          | 101,6                 | 118,0                 | 100,0          | 129,0          | 108,0          | 25,4           | 44,1           | 18,0           |
| 3,000 | 76,2  | 190,0          | 101,6                 | 118,0                 | 100,0          | 129,0          | 108,0          | 28,0           | 44,1           | 18,0           |
| 3,125 | 79,4  | 195,0          | 108,0                 | 124,0                 | 106,4          | 135,0          | 108,0          | 28,0           | 44,1           | 18,0           |
| 3,250 | 82,6  | 195,0          | 108,0                 | 124,0                 | 106,4          | 135,0          | 108,0          | 28,0           | 44,1           | 18,0           |
| 3,375 | 85,7  | 198,0          | 111,1                 | 128,0                 | 109,5          | 139,0          | 108,0          | 28,0           | 44,1           | 22,0           |
| 3,500 | 88,9  | 198,0          | 114,3                 | 140,1                 | 112,7          | 142,0          | 108,0          | 28,0           | 44,1           | 22,0           |
| 3,625 | 92,1  | 205,0          | 117,5                 | 135,0                 | 115,9          | 145,0          | 108,0          | 28,0           | 44,1           | 22,0           |
| 3,750 | 95,3  | 208,0          | 120,7                 | 138,0                 | 119,1          | 148,0          | 108,0          | 28,0           | 44,1           | 22,0           |
| 4,000 | 101,6 | 218,0          | 127,0                 | 144,0                 | 125,4          | 154,0          | 108,0          | 28,0           | 44,1           | 22,0           |

Dimensions subject to changes or modifications.